

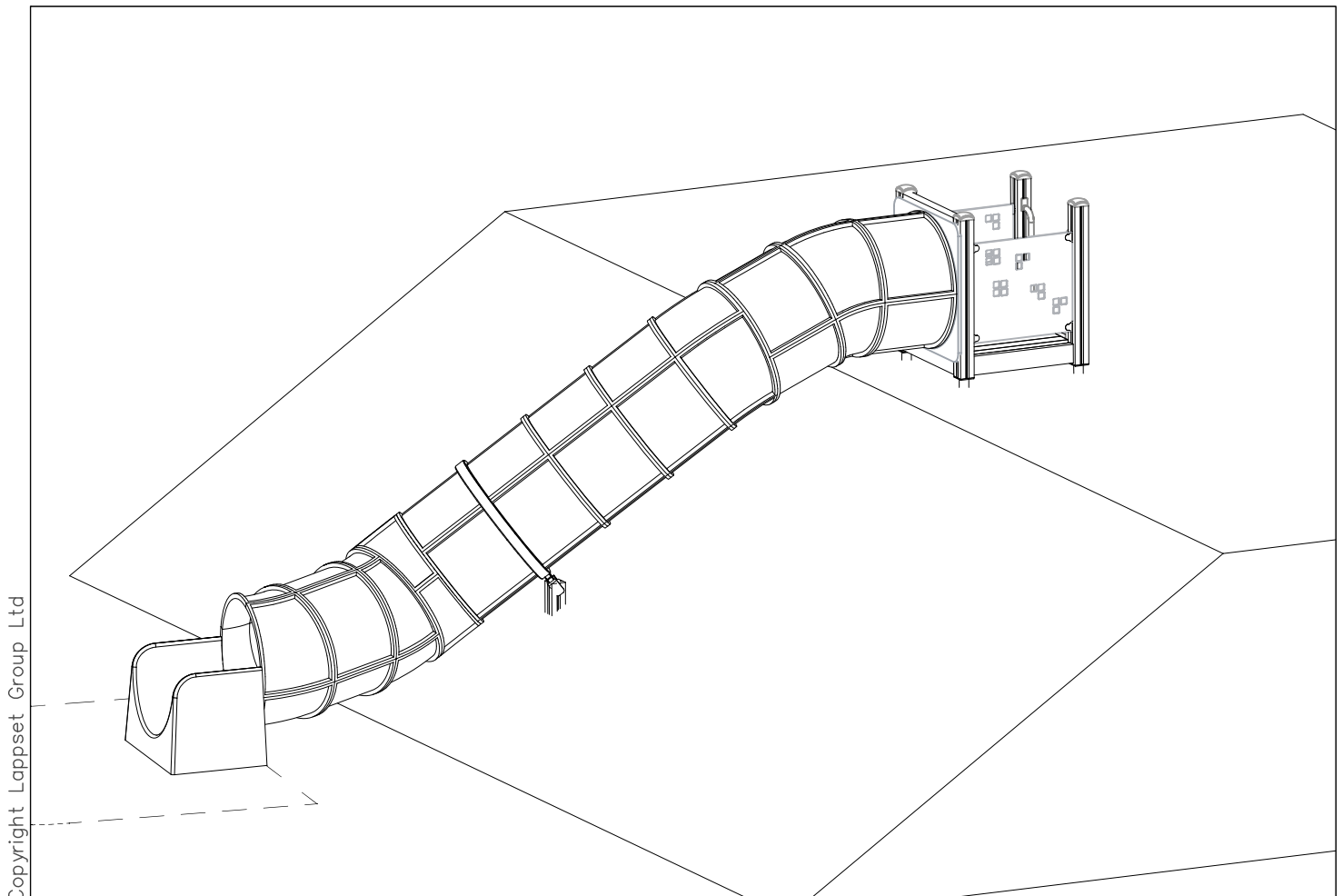
LAPPSET®

FINNO


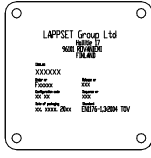
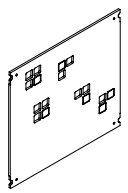
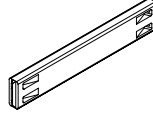
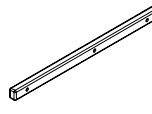

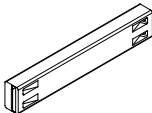
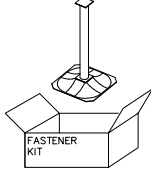
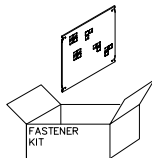
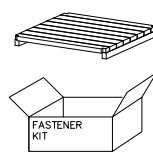

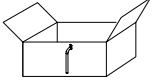
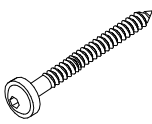
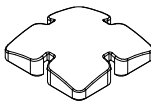
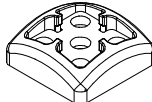


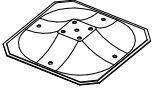
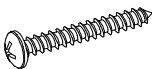
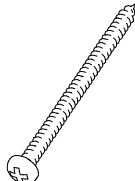
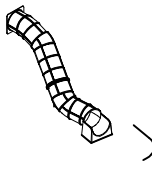
ASENNUSOHJE
MONTERINGSANSVISNING
INSTALLATION INSTRUCTION
AUFBAUANLEITUNG
NOTICE D'INSTALLATION

DATE: 8.7.2022

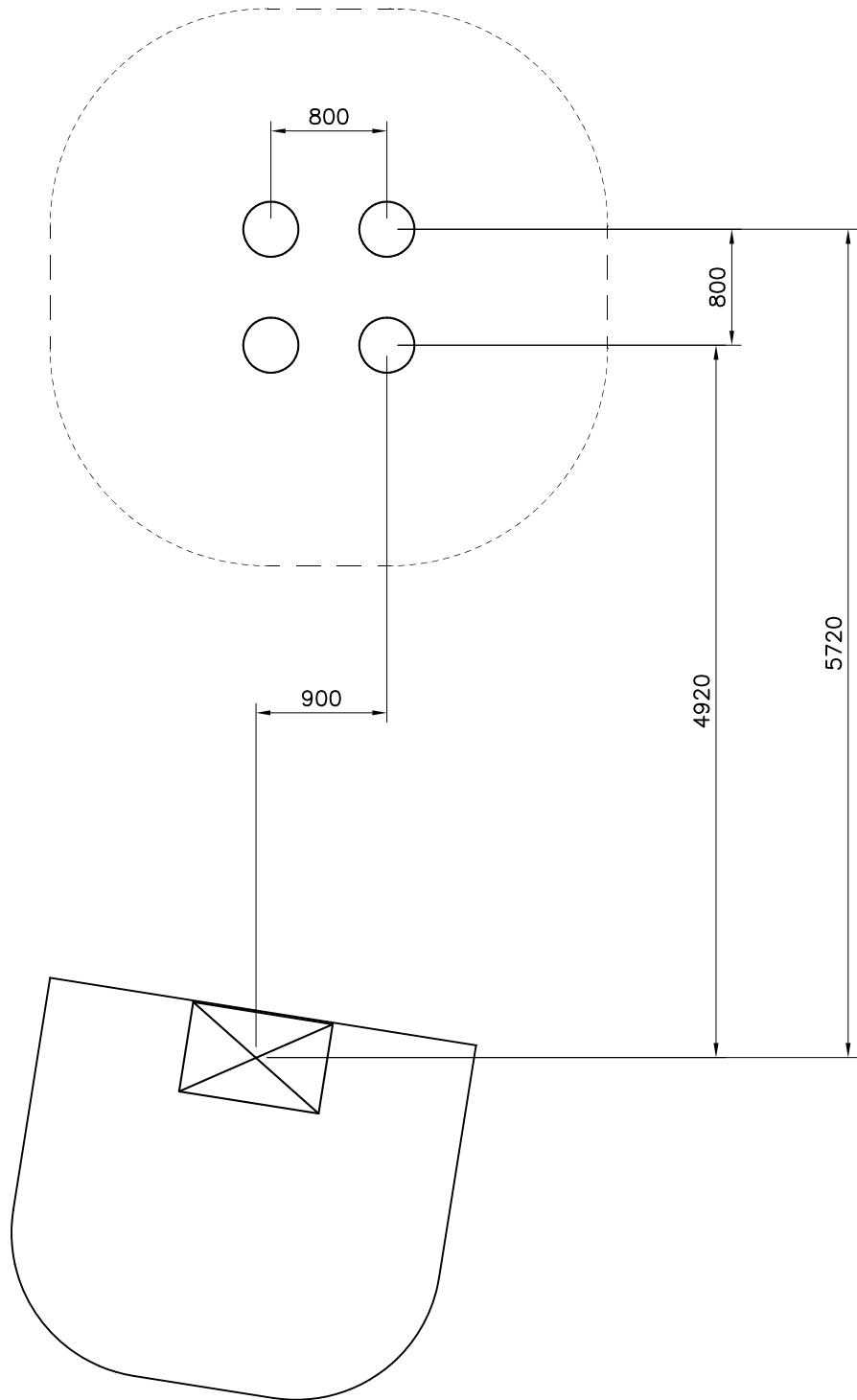
Q16520

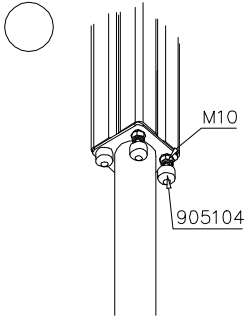
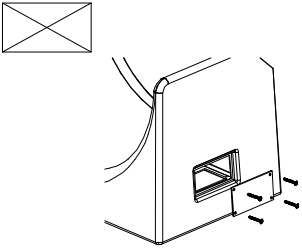
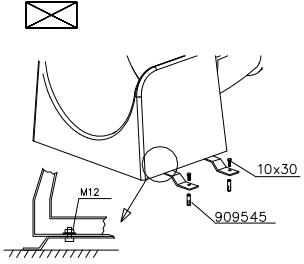
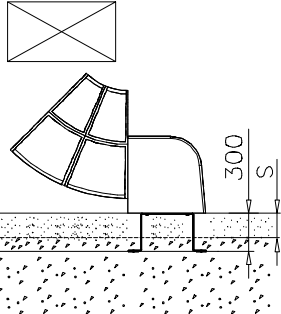


DATE: 8.7.2022

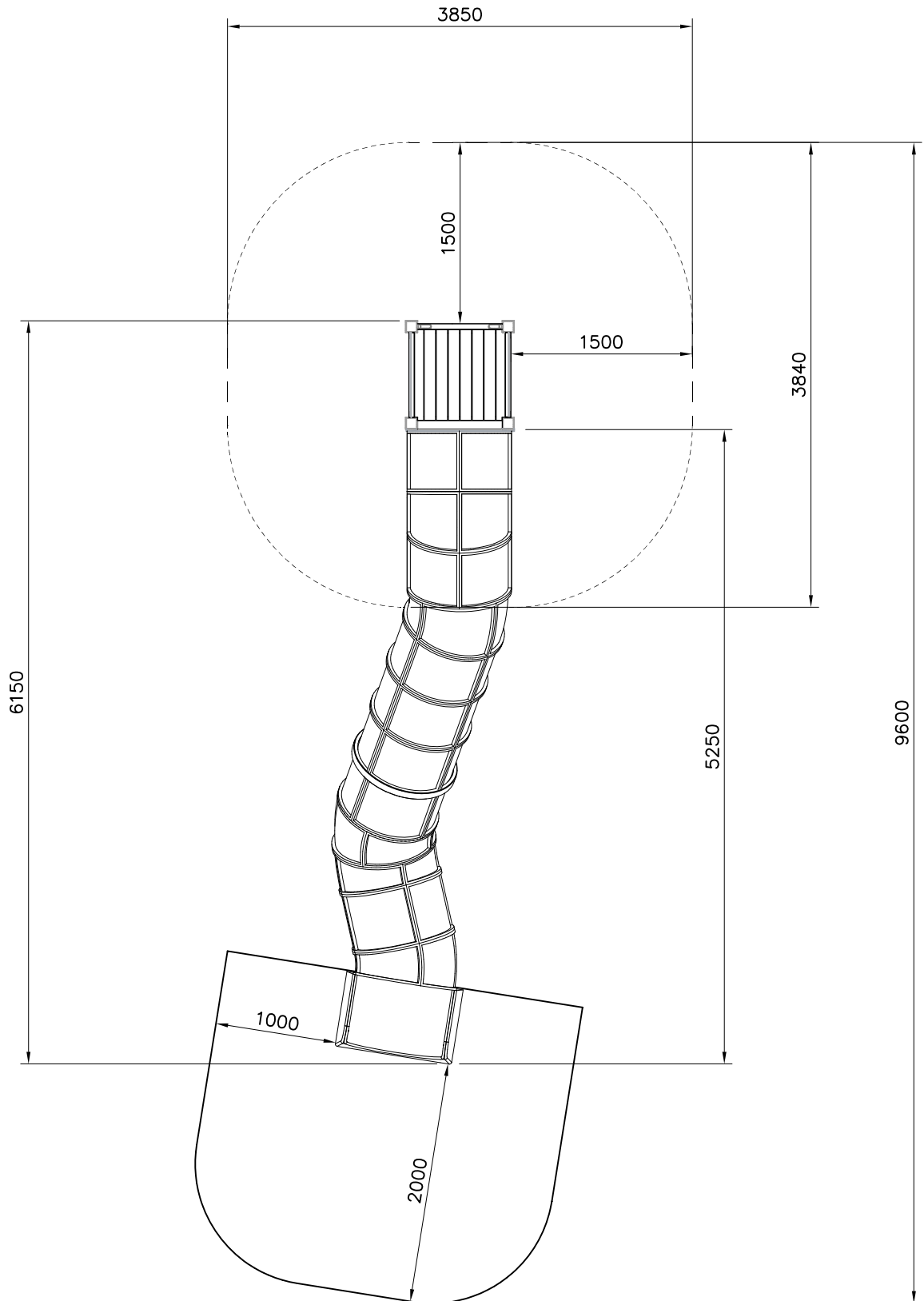
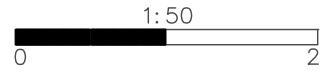
| | | | | | | | | | | | |
|---|-----|---|-----|---|-----|---|-----|---|-----|---|-----|
| 008986 | PCS | 702286 | PCS | 706436-705 | PCS | 706439 | PCS | 706443 | PCS | 706466 | PCS |
|  | 1 |  | 1 |  | 2 |  | 3 |  | 2 |  | 4 |
| 750x750 | | 65x65 | | 10x640x702 | | L 704 | | 32x45x702 | | 93x93x1025 | |
| 706512 | PCS | 706531 | PCS | 706534 | PCS | 706535 | PCS | 707331 | PCS | 707732 | PCS |
|  | 2 |  | 5 |  | 2 |  | 1 |  | 1 |  | 2 |
| 70x120x704 | | | | | | | | 93x93x470 | | | |
| 903093 | PCS | 905138 | PCS | 905196 | PCS | 907688-216 | PCS | 909511 | PCS | 909519 | PCS |
|  | 20 |  | 4 |  | 4 |  | 2 |  | 5 |  | 5 |
| Ø8x90 | | GRAY | | GRAY | | | | 90x90x650 | | 50x380x380 | |
| 980114 | PCS | 980131 | PCS | A10775 | PCS | | PCS | | PCS | | PCS |
|  | 4 |  | 16 |  | 1 | | | | | | |
| Ø4x20 | | Ø6x60 | | | | | | | | | |
| | PCS | | PCS | | PCS | | PCS | | PCS | | PCS |
| | | | | | | | | | | | |
| | PCS | | PCS | | PCS | | PCS | | PCS | | PCS |
| | | | | | | | | | | | |

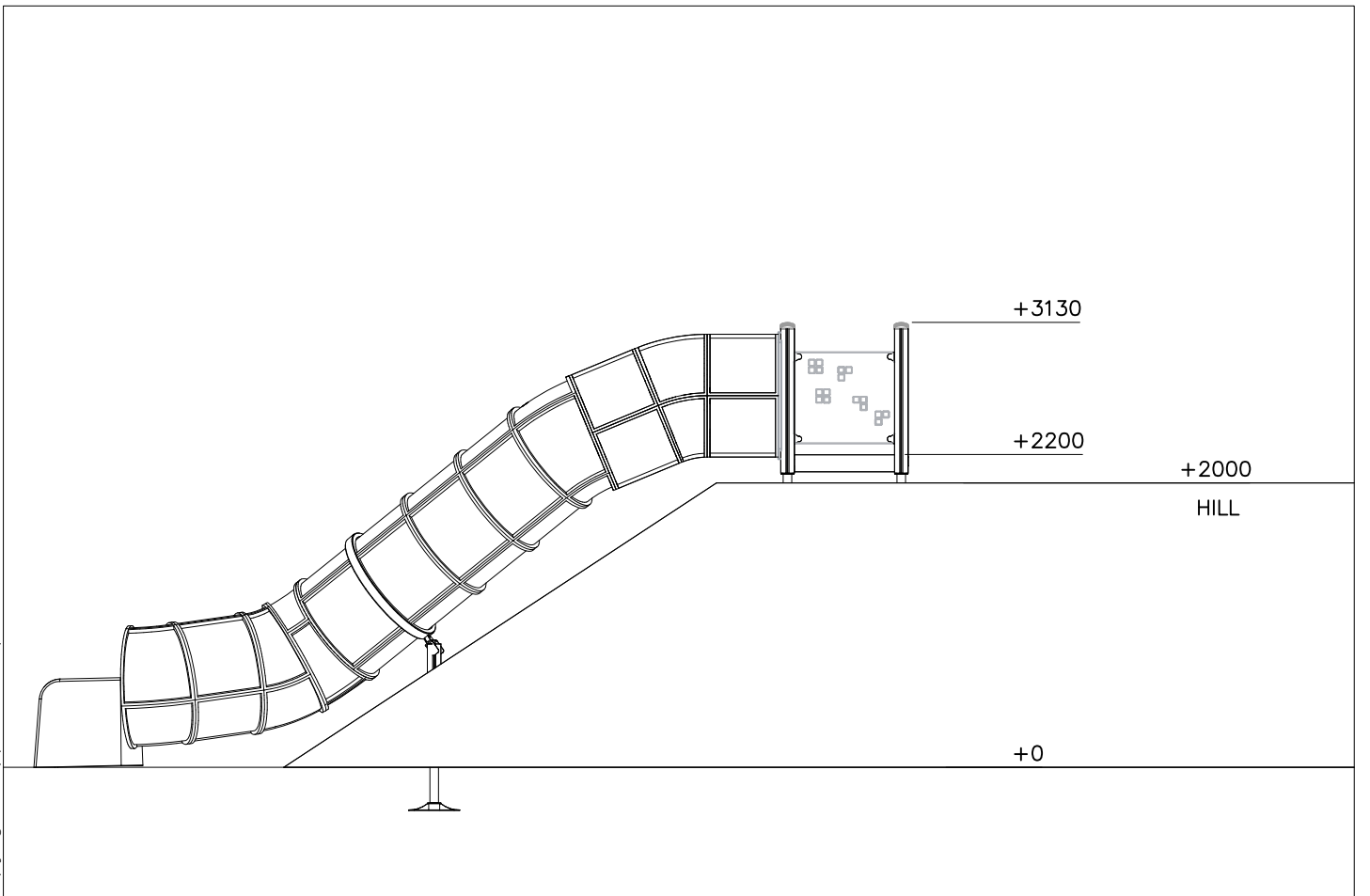
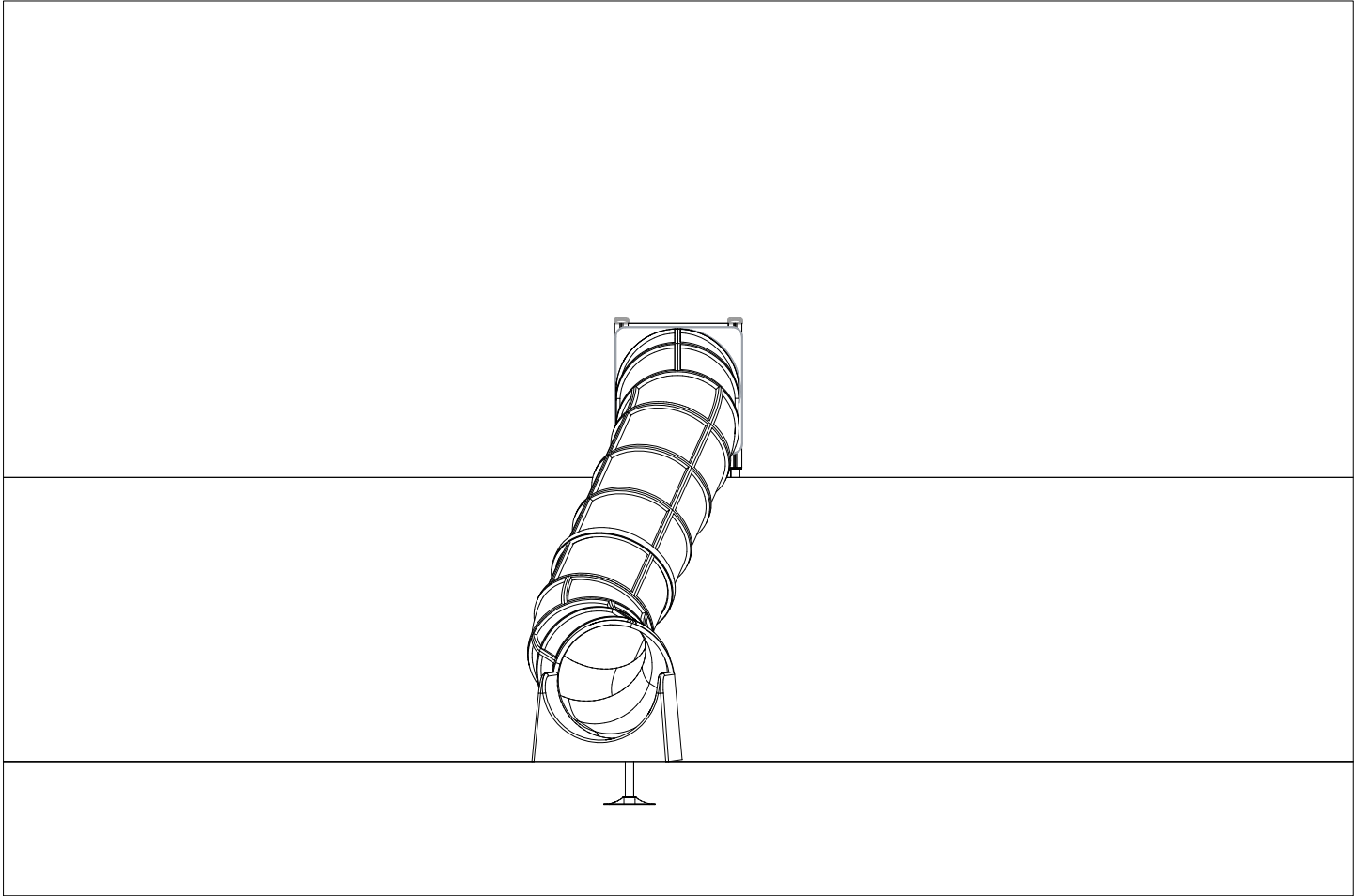
- EN/AS Impact Area 7.4 m²
- - - - Falling Space 20 m²

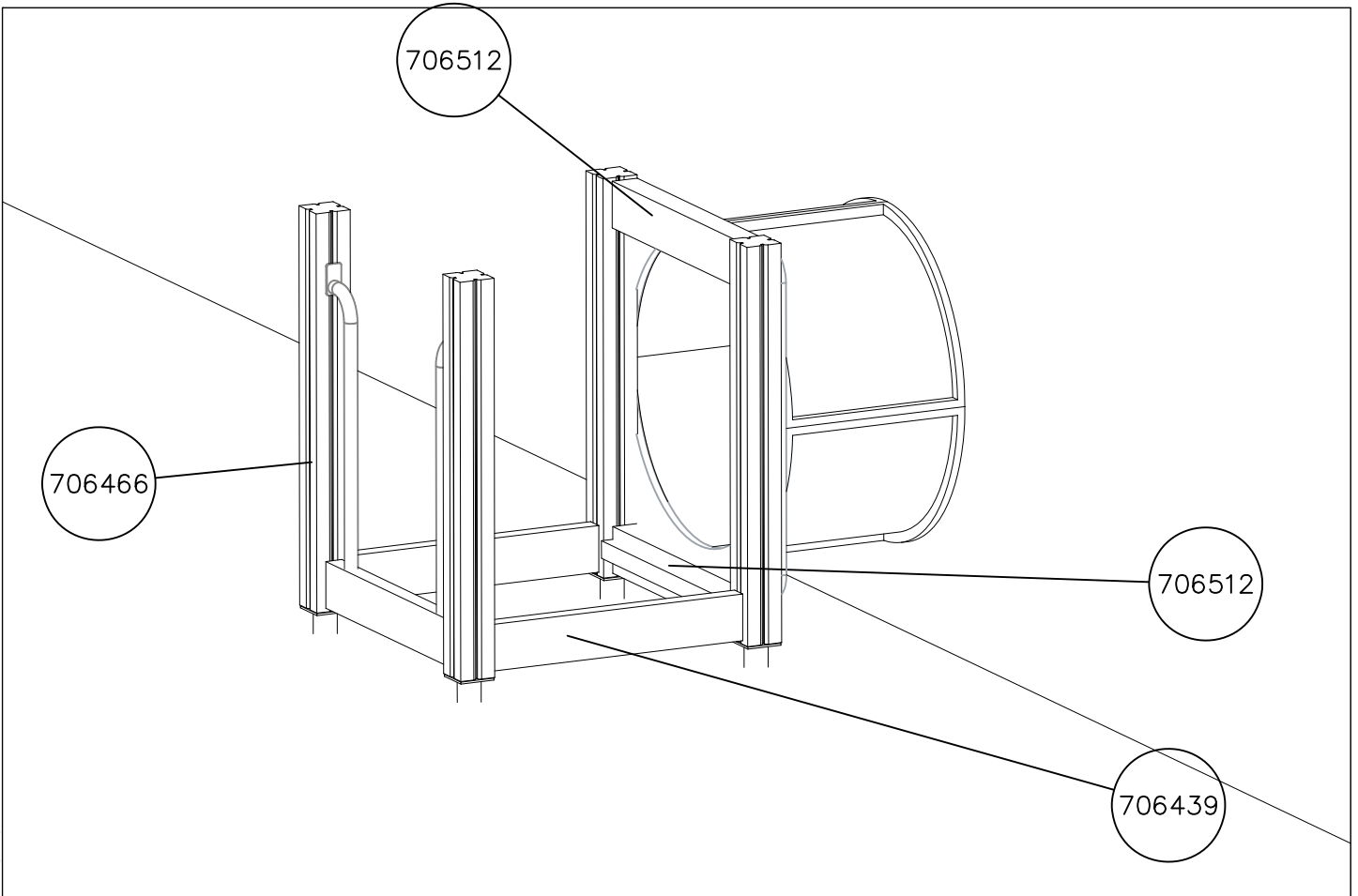
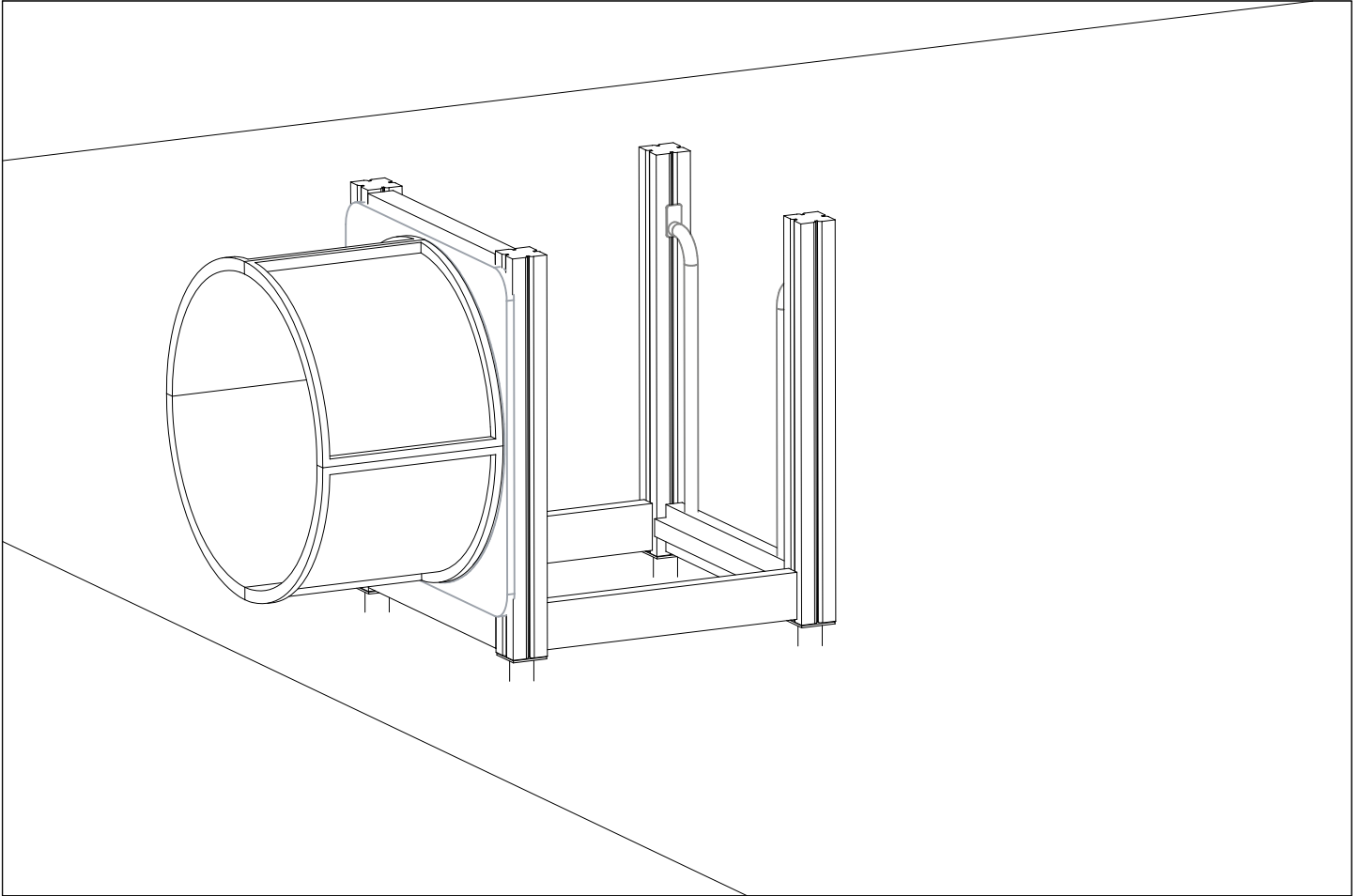


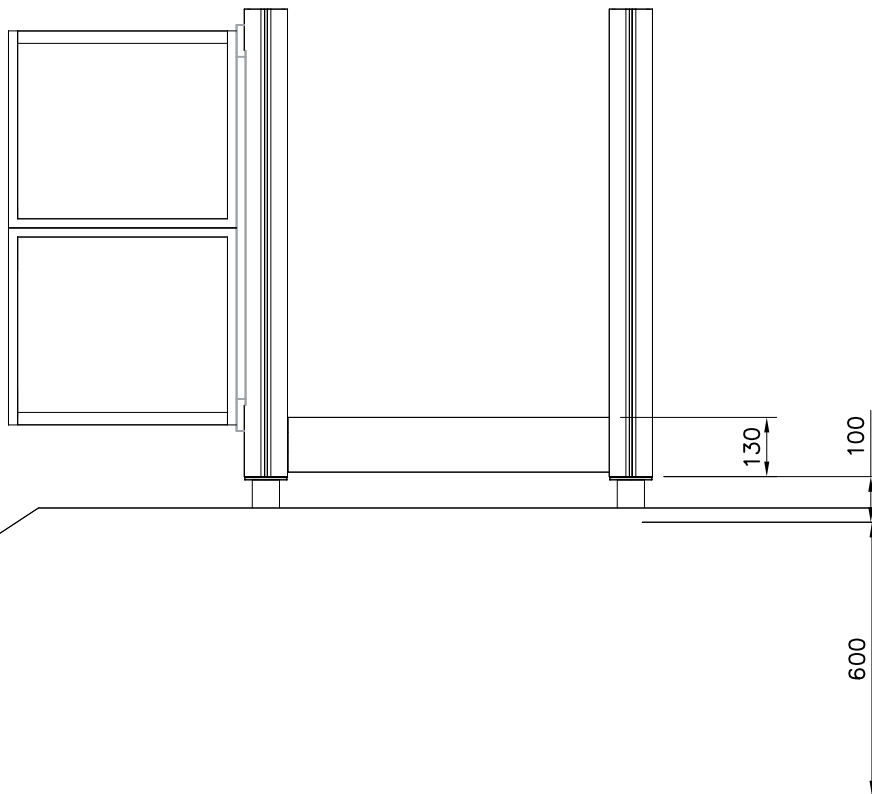
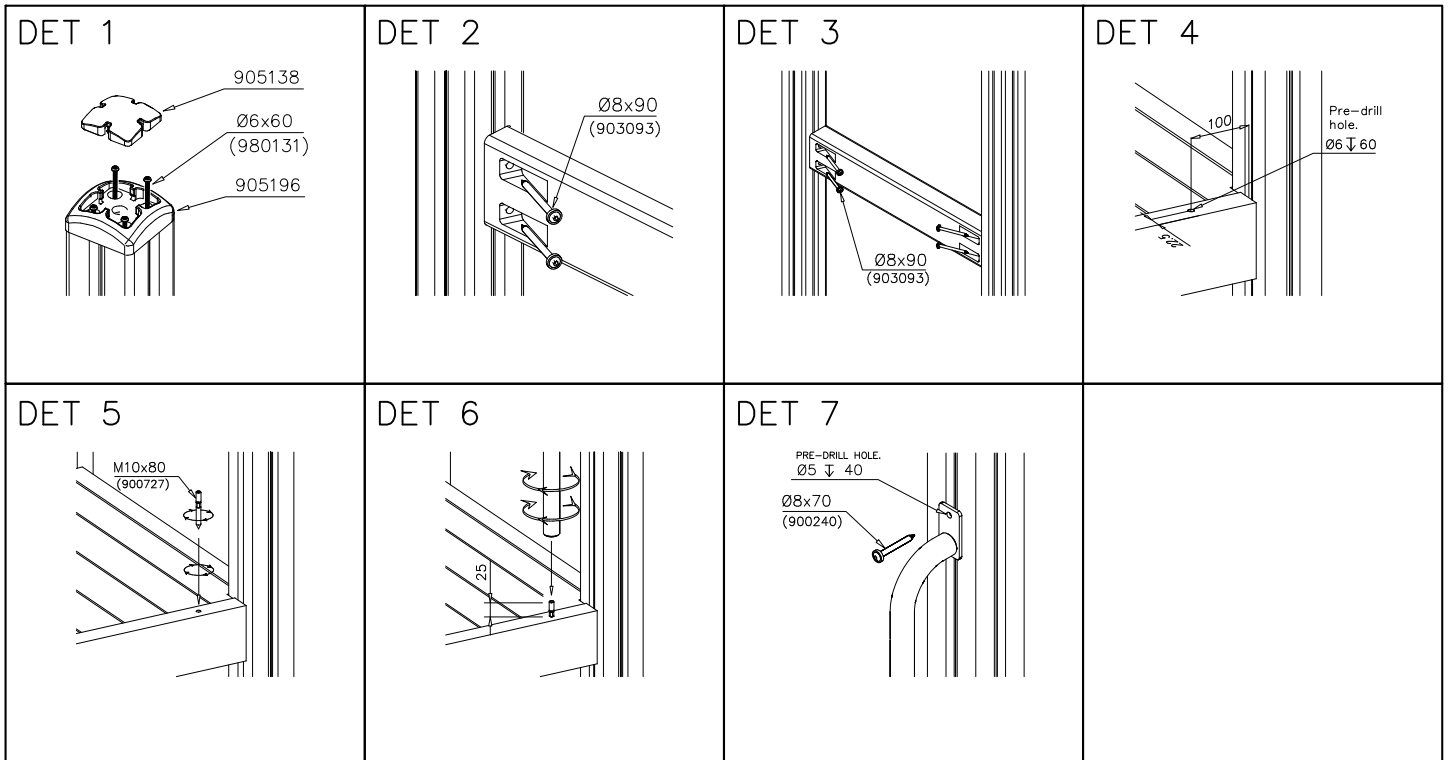
| | | |
|--|--|---|
|  |  <p>Access- and maintenance panel. Asennus- ja huolto luukku.</p> |  |
|  | | |
| | | |
| | | |

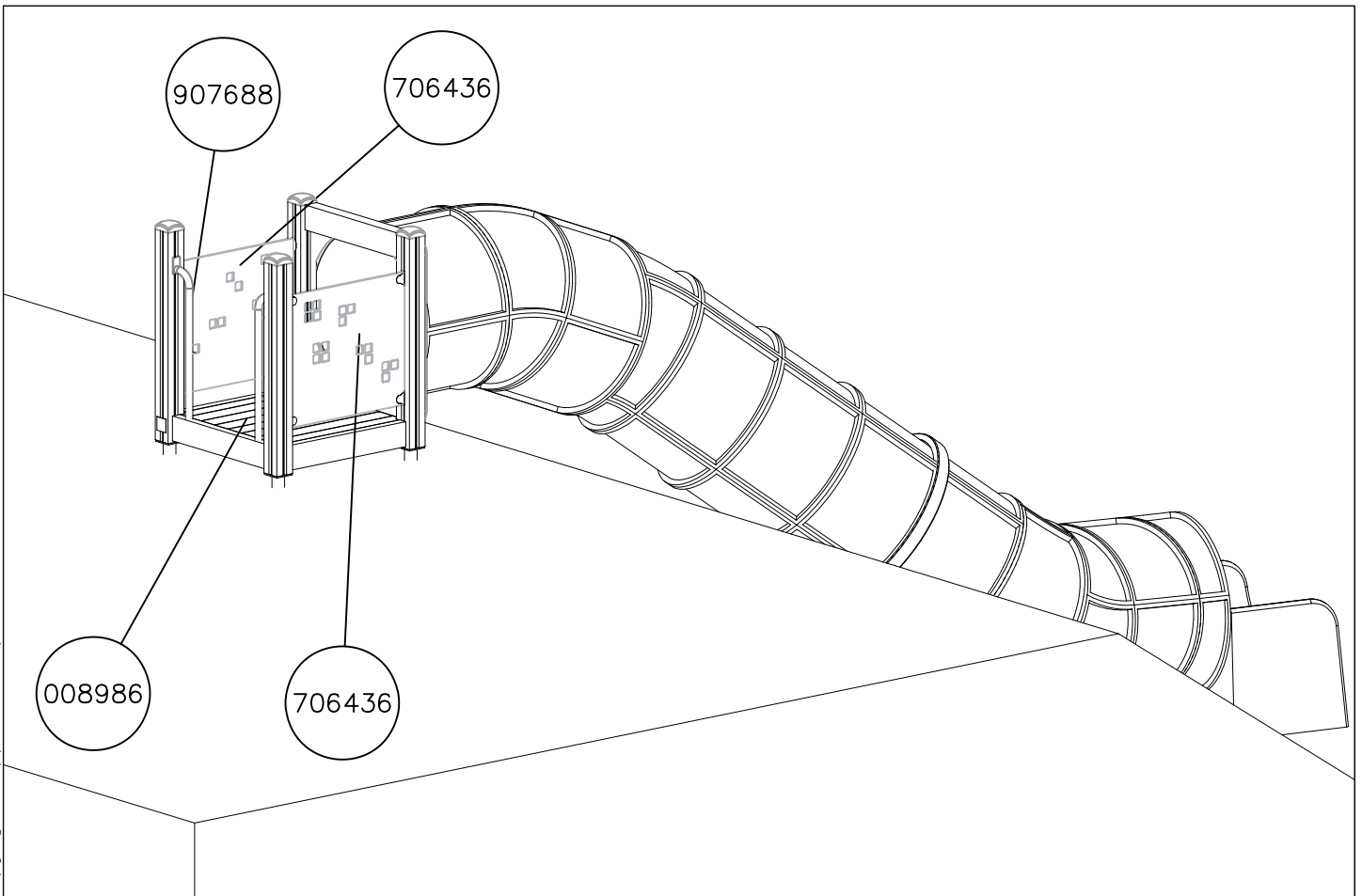
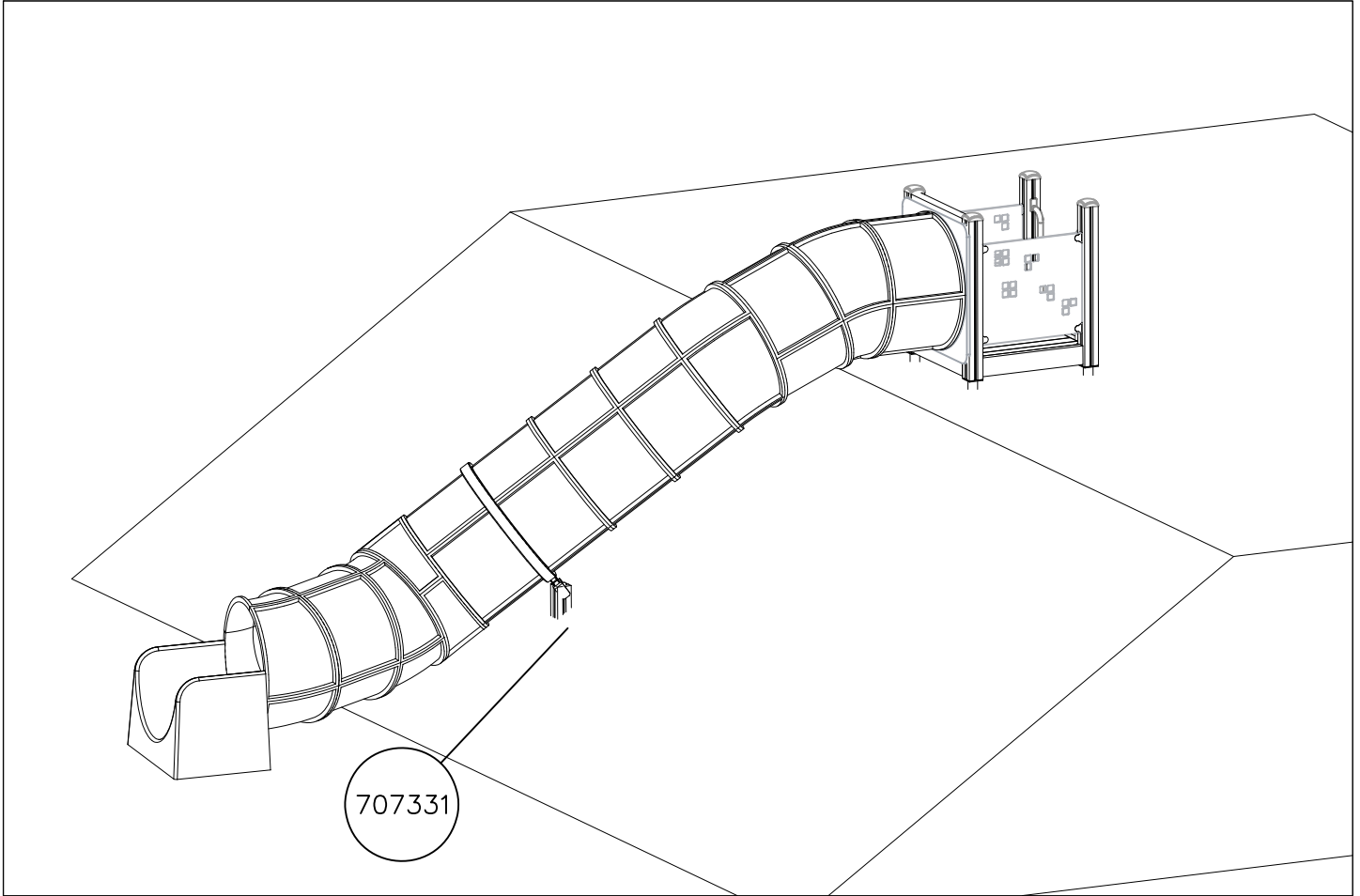
- EN/AS Impact Area 7.4 m²
- - - - Falling Space 20 m²
- Max Falling Height 1000 mm











| | | | | | | | | | | | | |
|---|--|---|-----------------|-----------------|----------------|---------|----------------|---------|----------------|-------|----------------|---|
|  | | | | | | | | | | | | |
| <p>$h < 600$</p> <p>Without movement and therefore without Impact Area</p> | <p>Totally hard surfaces.</p> <p>Note. Lappset does <u>not recommend</u> totally hard surfaces at all.</p> | <p>E.g. concrete or asphalt</p>  | | | | | | | | | | |
| <p>$h < 600$</p> <p>With movement e.g. rocking</p> | <p>Materials with very limited impact attenuating properties.</p> | <p>E.g. wood</p>  | | | | | | | | | | |
| <p>$h < 1000$</p> | <p>Materials with significant impact attenuating properties.</p> | <p>fine gravel 0–8 mm</p>  <p>grass</p>  <p>unsorted sand</p>  | | | | | | | | | | |
| <p>$h < 3000$</p> | <p>Loose fill material</p> <p>E.g. sand/gravel 0,25...8 mm D60/D10<3,0 Woodchips 5...30 mm bark 20...80 mm</p> |  <table data-bbox="1021 1691 1332 1792"> <tr> <td>\underline{S}</td> <td>\underline{h}</td> </tr> <tr> <td>30 cm</td> <td>< 2,0 m</td> </tr> <tr> <td>40 cm</td> <td>< 3,0 m</td> </tr> </table> | \underline{S} | \underline{h} | 30 cm | < 2,0 m | 40 cm | < 3,0 m | | | | |
| \underline{S} | \underline{h} | | | | | | | | | | | |
| 30 cm | < 2,0 m | | | | | | | | | | | |
| 40 cm | < 3,0 m | | | | | | | | | | | |
| | <p>Syntethic granulates</p> <table data-bbox="406 1892 758 2060"> <tr> <td>\underline{S}</td> <td>\underline{h}</td> </tr> <tr> <td>40 mm</td> <td>~> 1,2...1,3 m</td> </tr> <tr> <td>50 mm</td> <td>~> 1,5...1,7 m</td> </tr> <tr> <td>60 mm</td> <td>~> 1,8...2,0 m</td> </tr> <tr> <td>70 mm</td> <td>~> 2,1...2,5 m</td> </tr> </table> <p>Note. For accurate values, see manufacturer's instructions.</p> | \underline{S} | \underline{h} | 40 mm | ~> 1,2...1,3 m | 50 mm | ~> 1,5...1,7 m | 60 mm | ~> 1,8...2,0 m | 70 mm | ~> 2,1...2,5 m |  |
| \underline{S} | \underline{h} | | | | | | | | | | | |
| 40 mm | ~> 1,2...1,3 m | | | | | | | | | | | |
| 50 mm | ~> 1,5...1,7 m | | | | | | | | | | | |
| 60 mm | ~> 1,8...2,0 m | | | | | | | | | | | |
| 70 mm | ~> 2,1...2,5 m | | | | | | | | | | | |

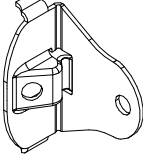
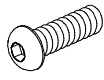
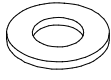
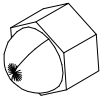

REMOVE SAFETY SURFACE/SAND/GRAVEL
TO CHECK FOUNDATION



REMOVE SAFETY SURFACE/SAND/GRAVEL
TO CHECK FOUNDATION

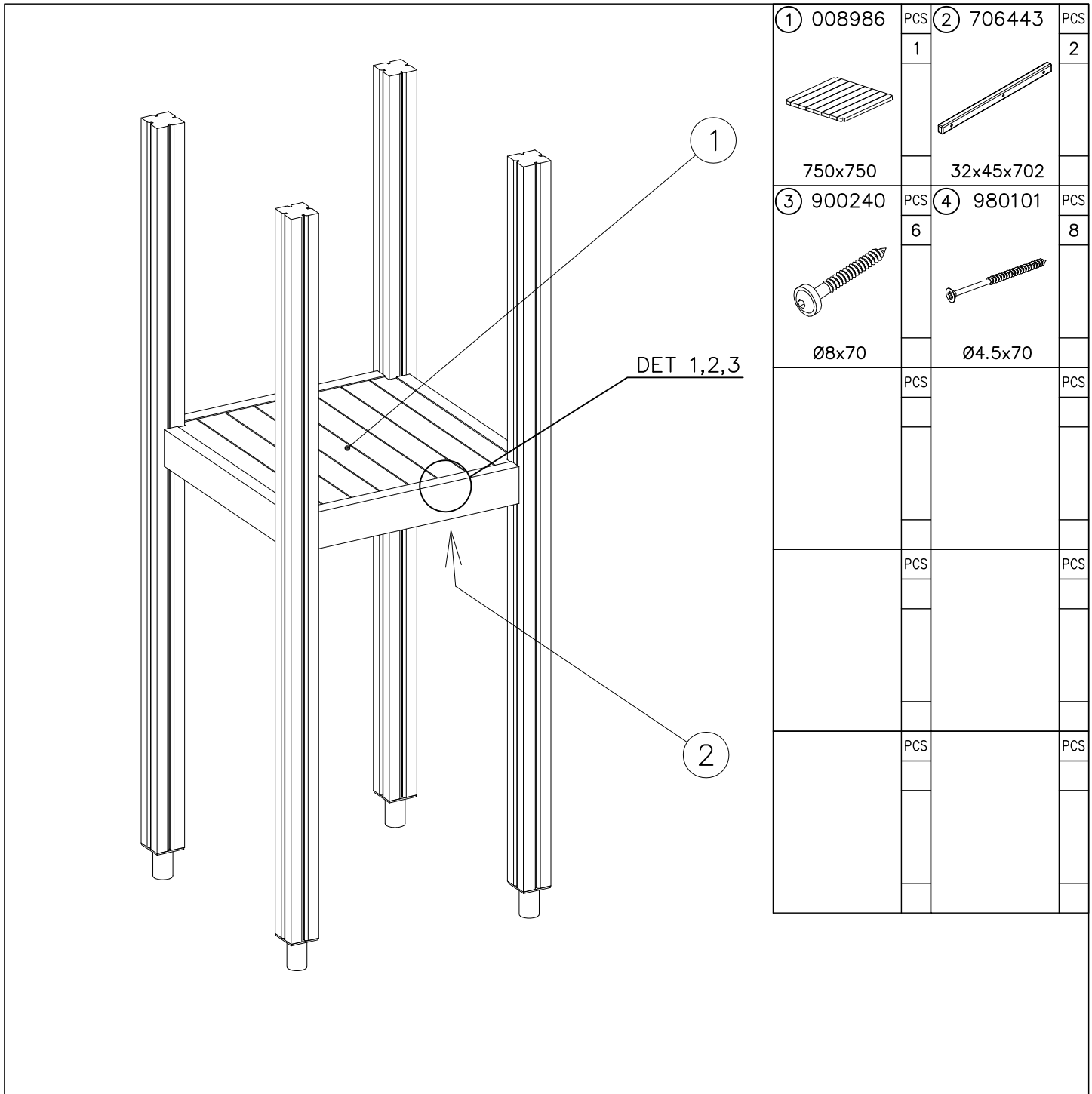




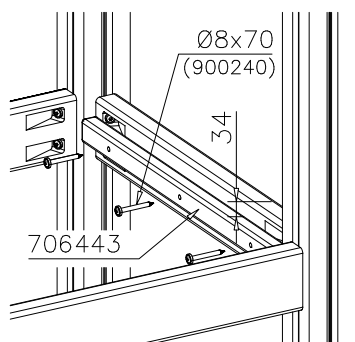
| | | | |
|---|-----|---|-----|
| ① 903176 | PCS | ② 909850 | PCS |
|  | 4 |  | 4 |
| | | M8x25 | |
| ③ 909256 | PCS | ④ 909633 | PCS |
|  | 8 |  | 4 |
| Ø16/8.4x1.6 | | M8 | |
| ⑤ 980123 | PCS | | PCS |
|  | 4 | | |
| Ø7x60 | | | |
| | PCS | | PCS |





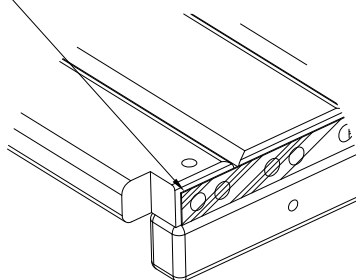


DET 1

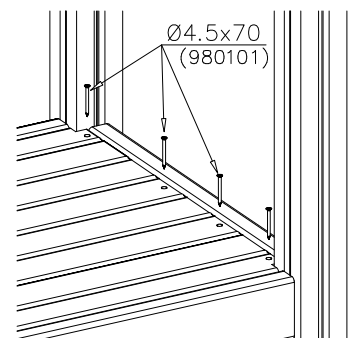


DET 2

Naulanauha kannatinlistan puolelle.
Nail list to the bottom.

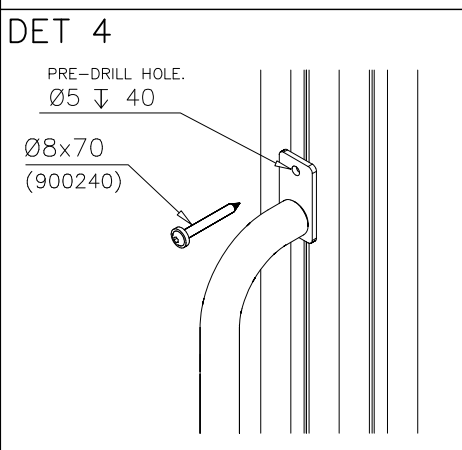
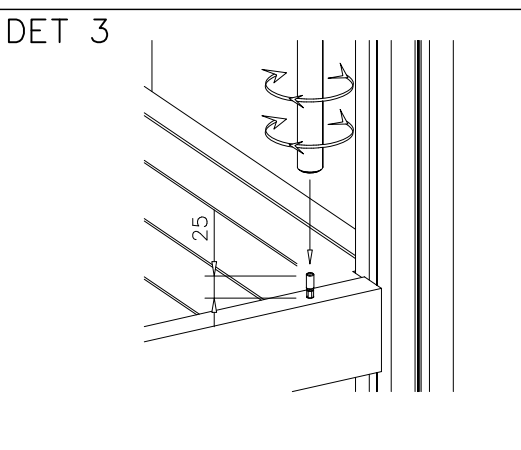
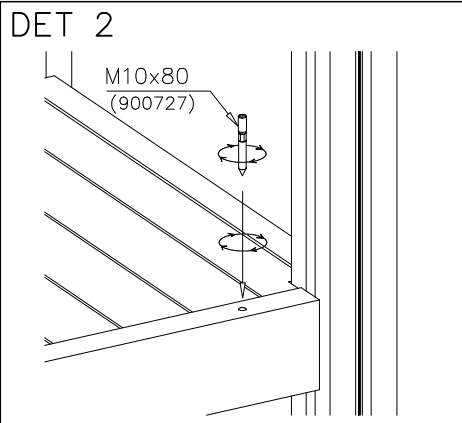
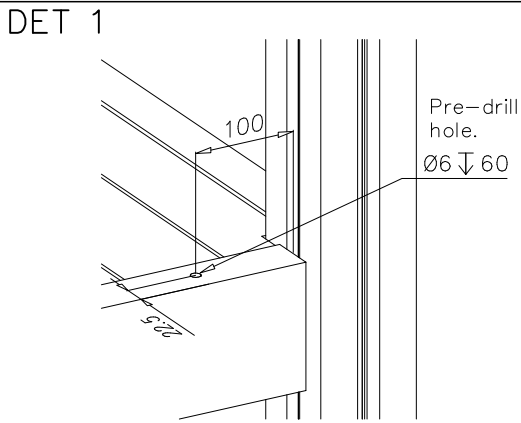


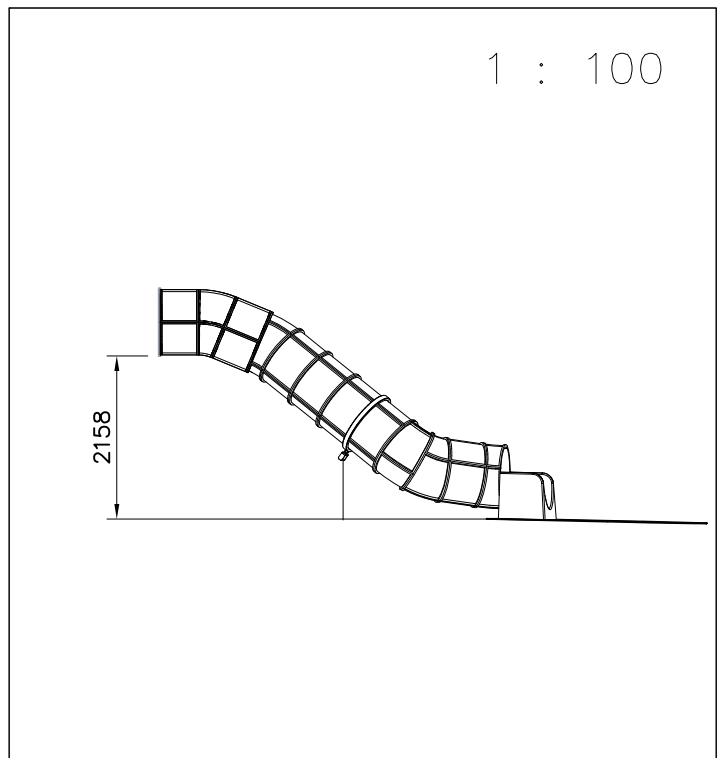
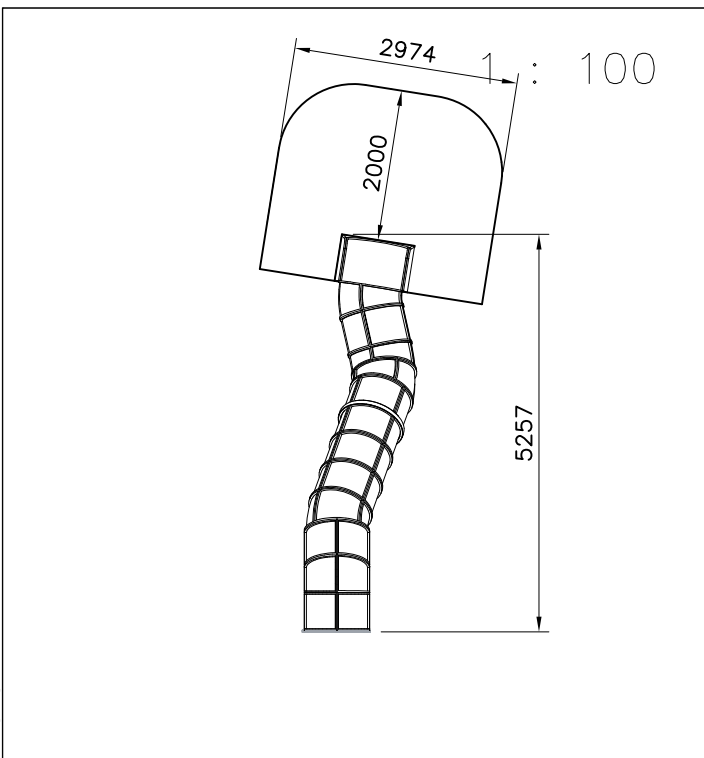
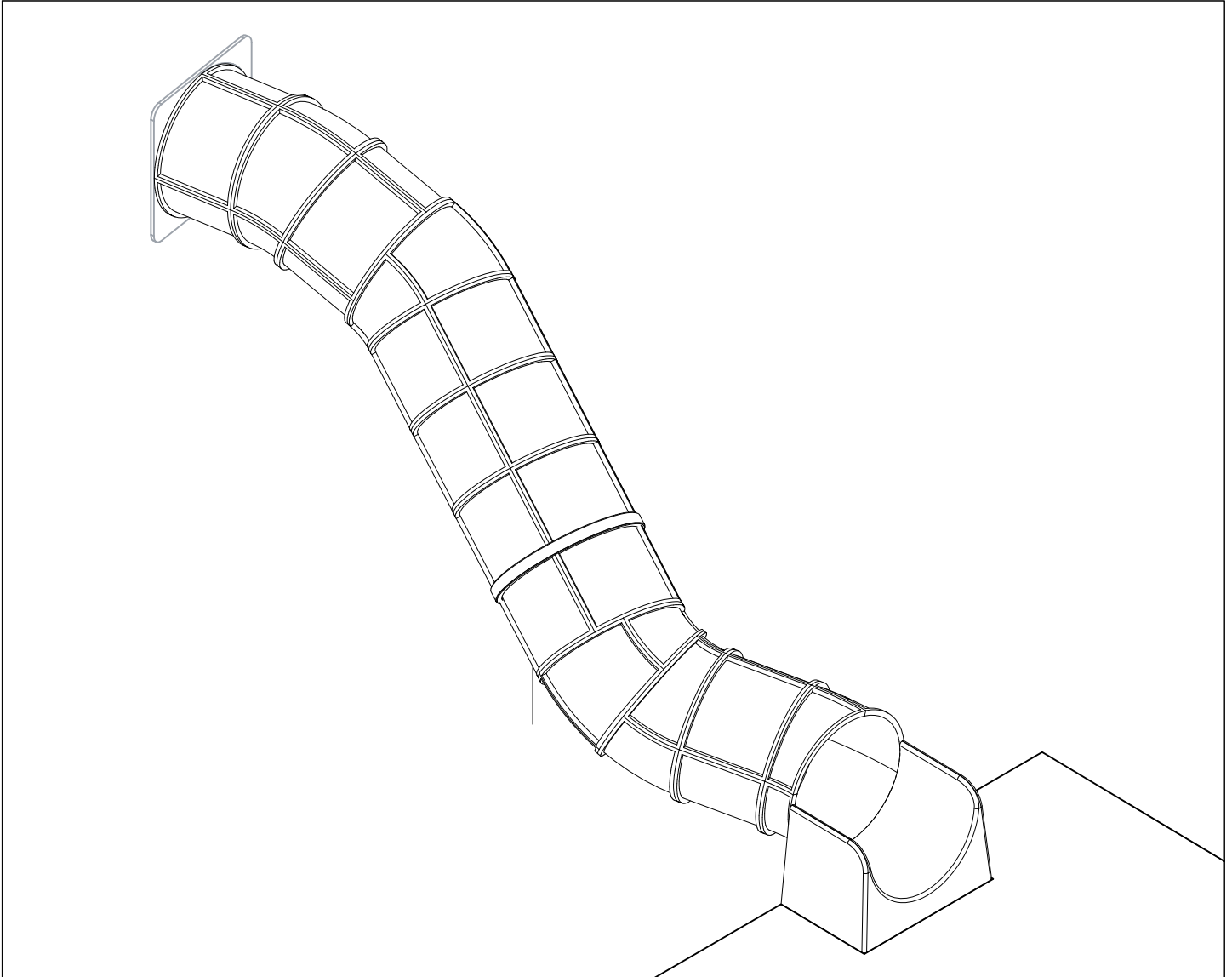
DET 3


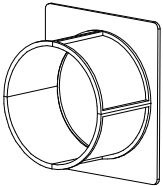
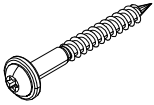
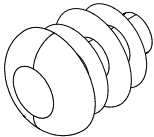

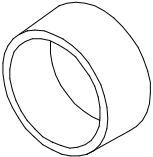
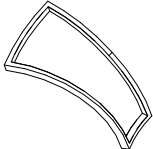
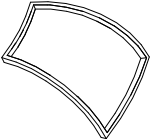
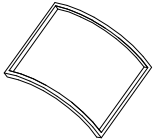
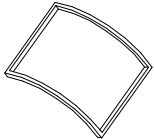

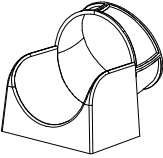

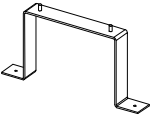
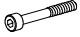


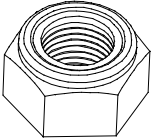
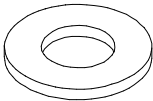


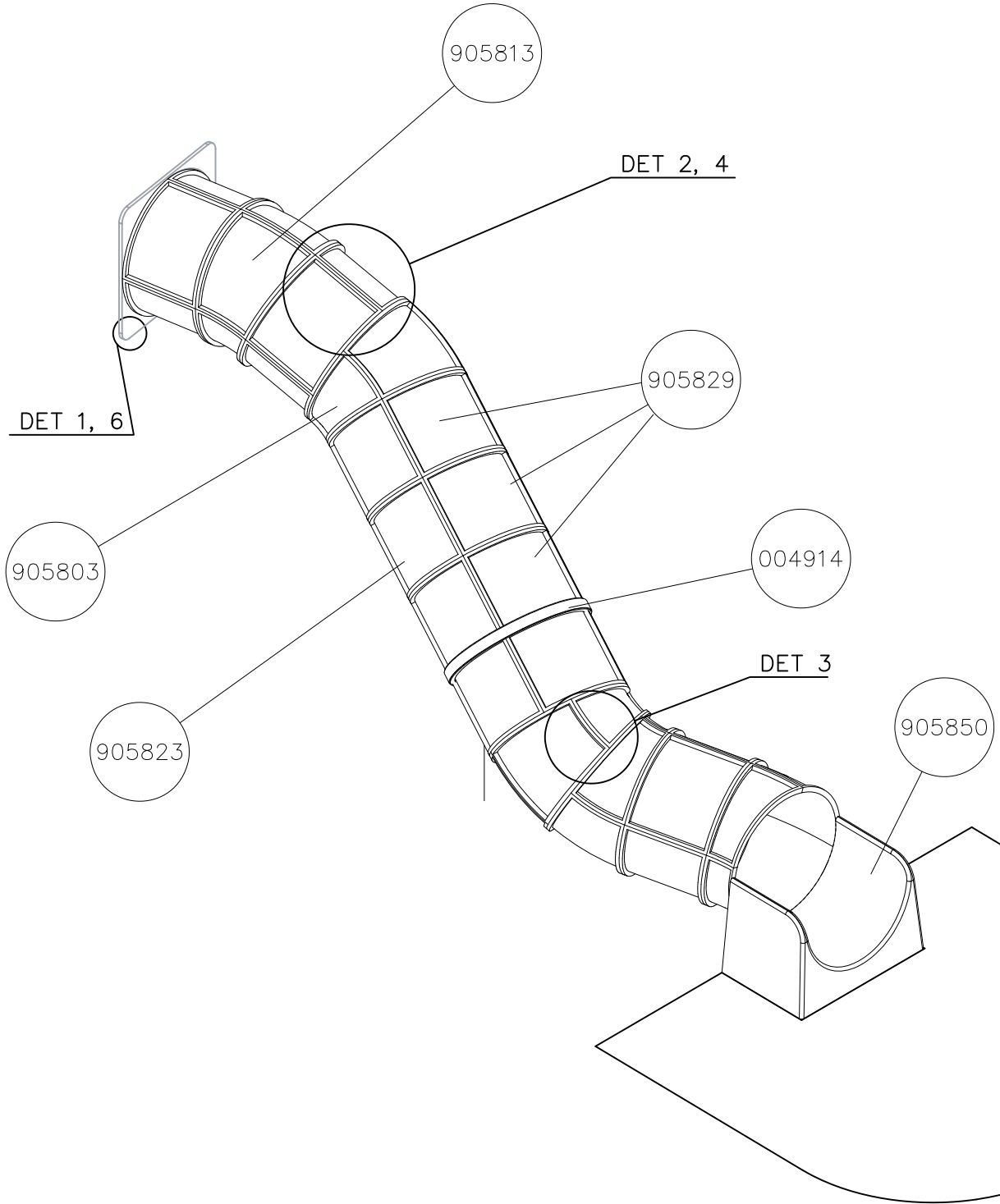


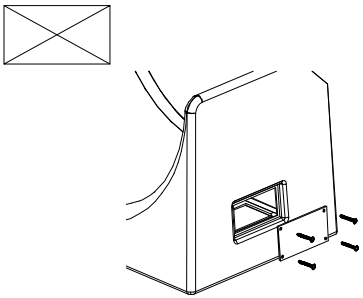
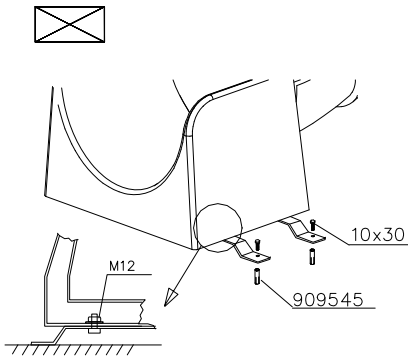
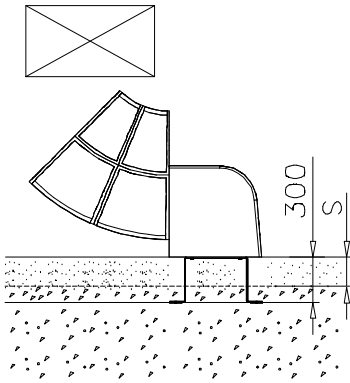
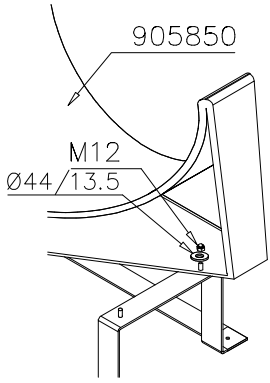
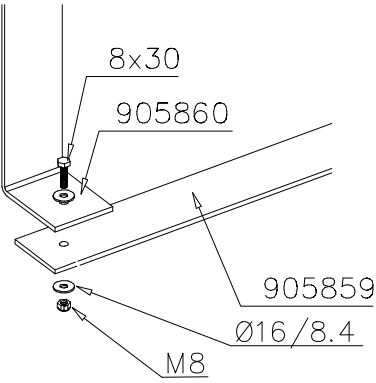
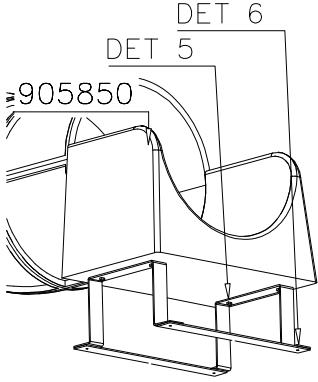
| | | | |
|---|-----|---|-----|
| ① 900240 | PCS | ② 900727 | PCS |
|  | 1 |  | 1 |
| Ø8x70 | | M10x80 | |
| | PCS | | PCS |
| | | | |
| | | | |
| ③ 907688 | PCS | ③ 907701 | PCS |
|  | 1 |  | 1 |
| 765 | | 545 | |
| | PCS | | PCS |
| | | | |
| | | | |
| | PCS | | PCS |
| | | | |
| | | | |
| | | | |
| | PCS | | PCS |
| | | | |
| | | | |
| | | | |
| | PCS | | PCS |
| | | | |
| | | | |

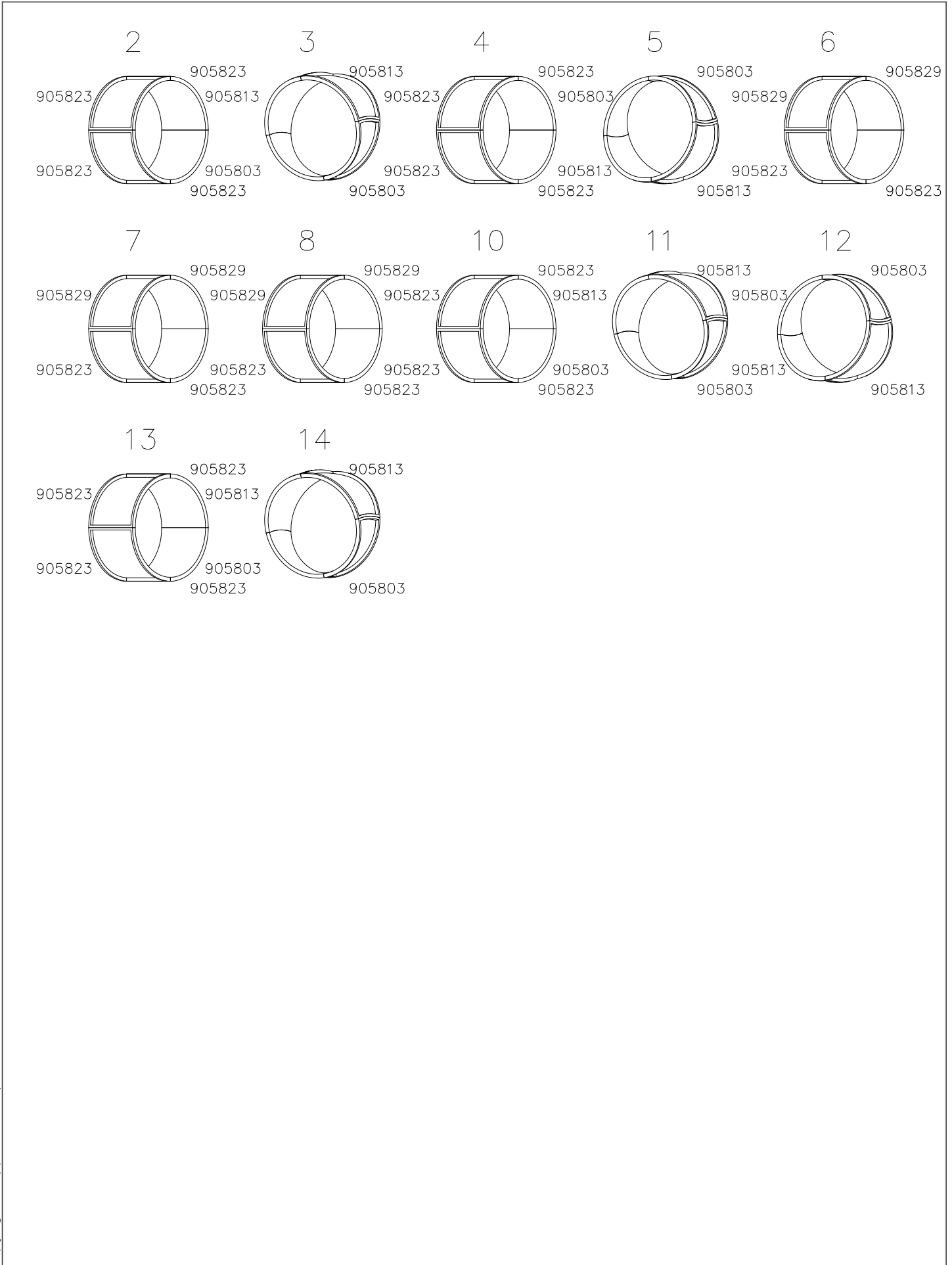




| | | | | | | | | | | | |
|--|------------|--|----------|---|----------|---|------------|--|----------|---|------------|
| 000000 | PCS 1 | 004914  | PCS 1 | 707918-705  | PCS 1 | 900240  Ø8x70 | PCS 14 | 903533  SRL12 | PCS 6 | 905086  Ø44/13.5 | PCS 4 |
| 905112  BLACK Ø22 | PCS 632 | 905803  YELLOW | PCS 8 | 905813  YELLOW | PCS 8 | 905823  YELLOW | PCS 18 | 905829  TRANSPARENT | PCS 6 | 905831  BLACK | PCS 560 |
| 905850  | PCS 1 | 905859  6x80x850 | PCS 2 | 905860  | PCS 2 | 909205  8x60 | PCS 280 | 909248  M12 | PCS 4 | 909274  8x30 | PCS 4 |
| 980150  M8 | PCS 284 | 980151  Ø16/8.4 | PCS 8 | | PCS | | PCS | | PCS | | PCS |
| | PCS | | PCS | | PCS | | PCS | | PCS | | PCS |
| | PCS | | PCS | | PCS | | PCS | | PCS | | PCS |
| | PCS | | PCS | | PCS | | PCS | | PCS | | PCS |



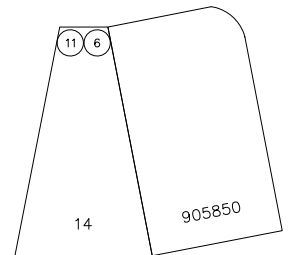
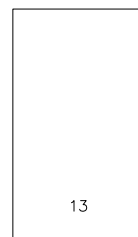
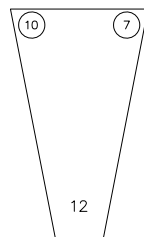
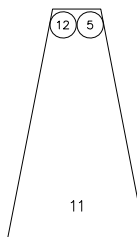
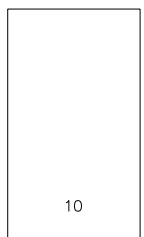
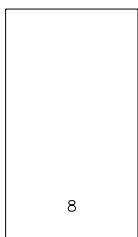
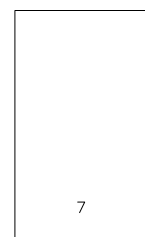
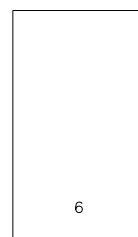
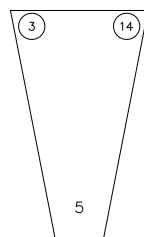
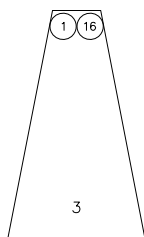
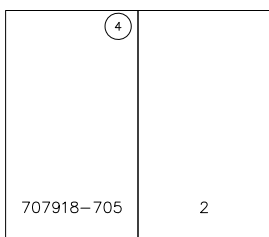
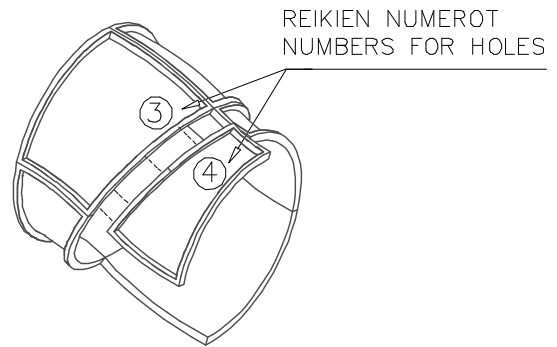
| | | |
|---|---|--|
| <p>905850</p>  <p>Access- and maintenance panel. Asennus- ja huolto luukku.</p> | <p>905850</p>  <p>10x30 909545 M12</p> | <p>905850</p>  <p>300 S</p> |
| <p>905850</p>  <p>905850 M12 Ø44/13.5</p> | <p>905850</p>  <p>8x30 905860 905859 Ø16/8.4 M8</p> | <p>905850</p>  <p>DET 6 DET 5 905850</p> |
| <p>DET 7</p> | <p>DET 8</p> | |
| | | |



Esimerkki putken kokoamisesta
Example of installation

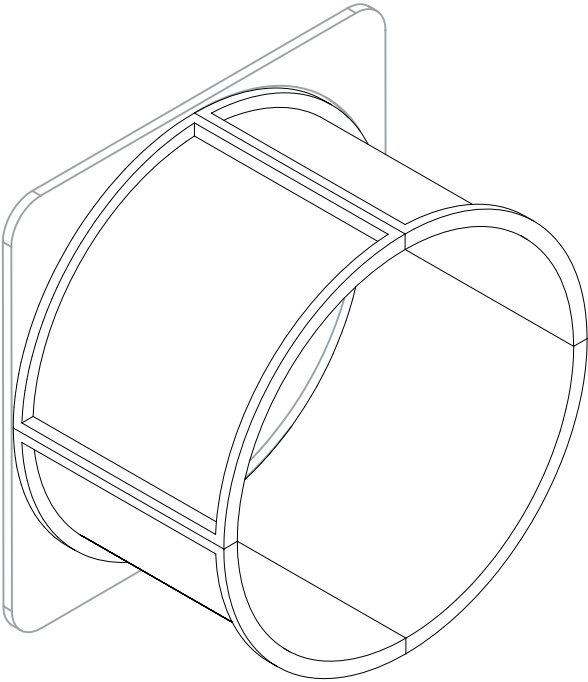
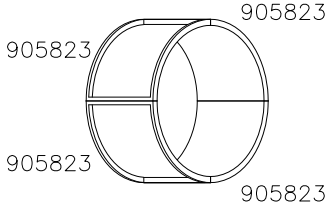


















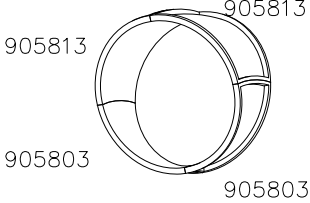

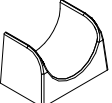



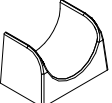






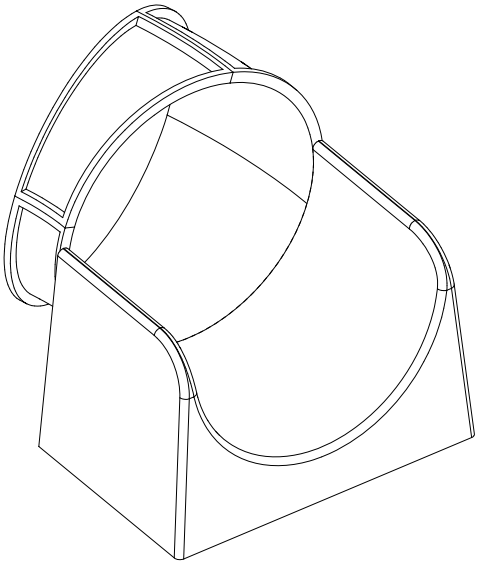

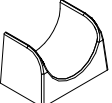




LIUKUPINTAAN EI SAA TULLA
LÄPINÄKYVIÄ MODUULEJA!!

NO TRANSPARENT PIECES ON
SLIDING SURFACE!!



Valmiiksi kasattujen osien osakokoonpanot ja vara-osa listat.

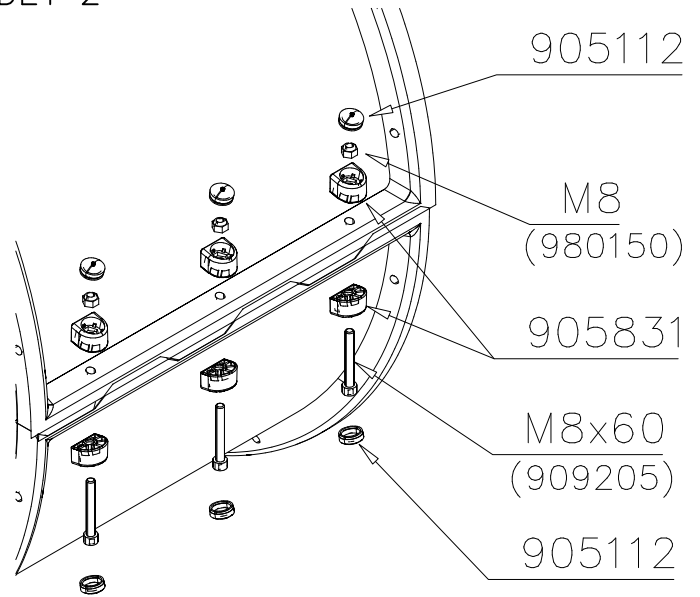
Ready installed component subassemblies and spare part list.

| | | | | | | | | | | | | | | | | | | |
|--|--|---|-------------|------------|-------------|---|---|---|---|---|---|---|--|---|---|------------|---|--|
|  | <div style="text-align: center;">2</div>  <table border="1" data-bbox="895 931 1469 1312"> <tr> <td>707918-705</td> <td>909205 x 12</td> <td>980150 x 12</td> </tr> <tr> <td></td> <td></td> <td></td> </tr> <tr> <td>905831 x 40</td> <td>909208 x 16</td> <td>909119 x 16</td> </tr> <tr> <td></td> <td></td> <td></td> </tr> </table> | | | 707918-705 | 909205 x 12 | 980150 x 12 |  |  |  | 905831 x 40 | 909208 x 16 | 909119 x 16 |  |  |  | | | |
| 707918-705 | 909205 x 12 | 980150 x 12 | | | | | | | | | | | | | | | | |
|  |  |  | | | | | | | | | | | | | | | | |
| 905831 x 40 | 909208 x 16 | 909119 x 16 | | | | | | | | | | | | | | | | |
|  |  |  | | | | | | | | | | | | | | | | |
| <div style="text-align: center;">14</div>  <table border="1" data-bbox="172 1727 746 2101"> <tr> <td>909205 x 16</td> <td>980150 x 16</td> <td>905831 x 32</td> </tr> <tr> <td>909206 x 8</td> <td></td> <td></td> </tr> <tr> <td>905850</td> <td>909208 x 8</td> <td>980151 x 8</td> </tr> <tr> <td></td> <td></td> <td></td> </tr> </table> | 909205 x 16 | 980150 x 16 | 905831 x 32 | 909206 x 8 | |  | 905850 | 909208 x 8 | 980151 x 8 |  |  |  | <table border="1" data-bbox="555 1346 746 1727"> <tr> <td>909252 x 13</td> </tr> <tr> <td></td> </tr> <tr> <td>700413 x 1</td> </tr> <tr> <td></td> </tr> </table> | 909252 x 13 |  | 700413 x 1 |  |  <p style="text-align: center;">Position of the box: 162 degrees</p> |
| 909205 x 16 | 980150 x 16 | 905831 x 32 | | | | | | | | | | | | | | | | |
| 909206 x 8 | |  | | | | | | | | | | | | | | | | |
| 905850 | 909208 x 8 | 980151 x 8 | | | | | | | | | | | | | | | | |
|  |  |  | | | | | | | | | | | | | | | | |
| 909252 x 13 | | | | | | | | | | | | | | | | | | |
|  | | | | | | | | | | | | | | | | | | |
| 700413 x 1 | | | | | | | | | | | | | | | | | | |
|  | | | | | | | | | | | | | | | | | | |

DET 1



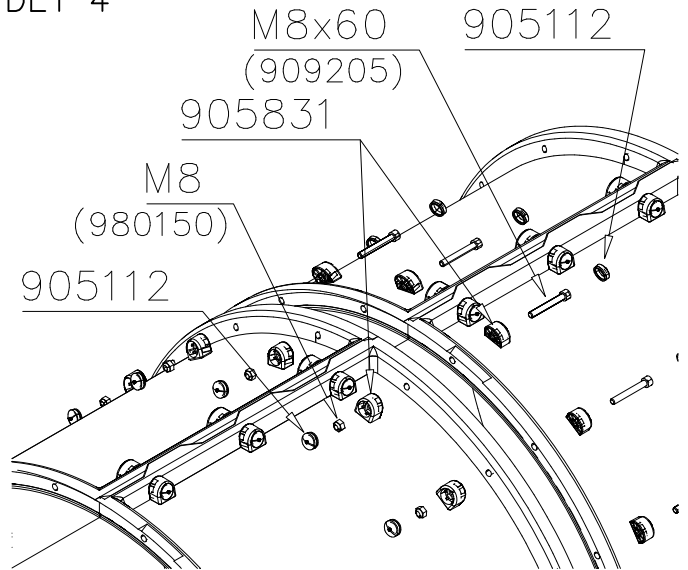
DET 2



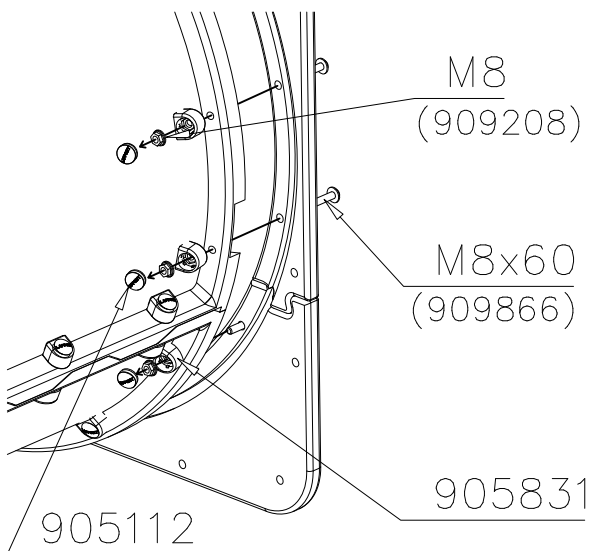
DET 3



DET 4

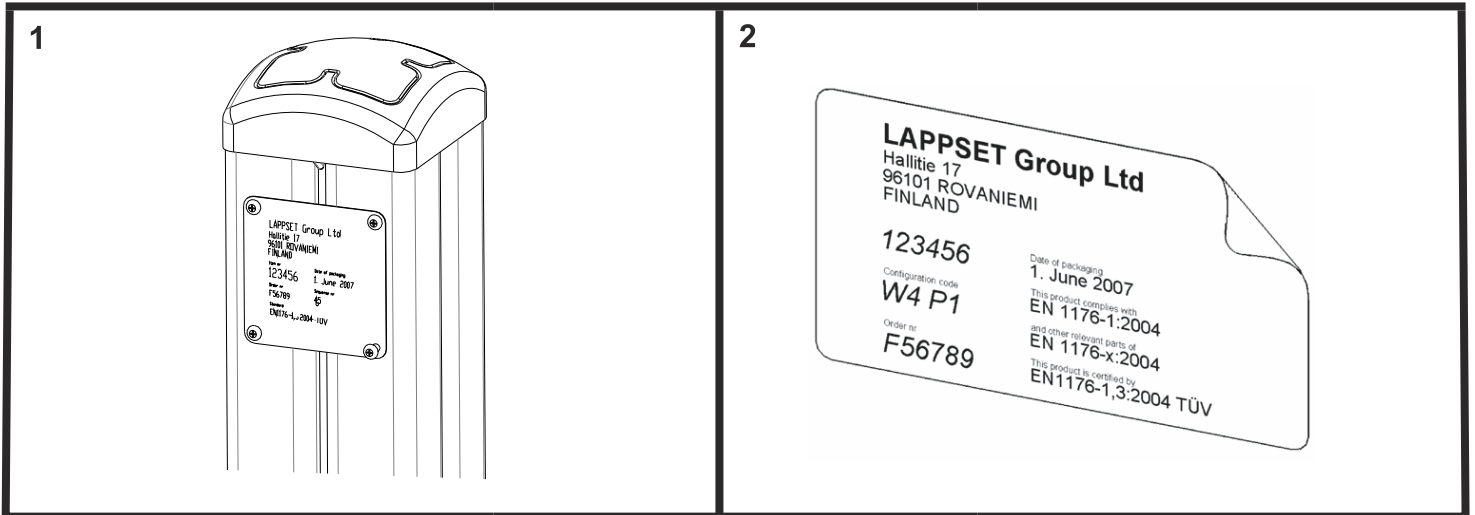


DET 5



DET 6





Tuotekyltti tulee tuotteen mukana yhdellä seuraavista tavoista:

1) Metallinen tuotekyltti ja kiinnitysruuvit

- Kiinnitä tuotekyltti ruuveilla tolppaan noin 2 metrin korkeuteen kuvan 1 mukaisesti.

2) Tuotekylttitarra

- Puhdista maalattu metalli- tai vaneripinta pölystä ja kosteudesta. Liimaa tarra kuvan 2 mukaisesti.
- Huom. Älä kiinnitä tarraa karheapintaiseen laminaattiin tai maalattuun puuhun.

Vår produktmärkning levereras på ett av följande sätt:

1) Produktskylt i metall

- Fäst skylten med de medföljande skruvarna

2) Självhäftande produktetikett

- Rengör den pulverlackerade metallytan eller laminatyten så att den blir fri från smuts och fukt. Fäst etiketten enligt fig. 2.
- Obs! Fäst ej etiketten på detaljer med skrovlig yta eller på målat trä.

Product label is delivered by one of following ways:

1) Metal product label and screws

- Fasten the label with screws.

2) Label sticker

- Clean the painted metal or plywood surface from dirt and moisture. Fasten the sticker as shown in the figure 2.
- Note. Do not attach the sticker to rough surfaced laminate or painted wood.

La plaque d'informations produit est livrée sous l'une de ces 3 formes :

1) Plaque métallique et vis

- Fixez la plaque à l'aide des vis.

2) Etiquette autocollante

- Avant de coller l'étiquette, nettoyez le composant métallique peint ou la plaque de contreplaqué, de toute saleté. La surface doit être sèche (voir image 2).
- Attention, ne pas coller l'étiquette sur une surface lamellé-collée irrégulière ou sur du bois peint.

Die Auslieferung des Produktaufklebers erfolgt auf eine dieser Arten:

1) Produkt-Schild aus Metall incl. Schrauben

- Die Befestigung des Schildes erfolgt mittels der Schrauben.

2) Aufkleber

- Entfernen Sie zunächst Schmutz und Feuchtigkeit vom lackierten Metall bzw. von der Holzoberfläche und bringen Sie den Aufkleber wie im Bild oben rechts beschrieben auf den gesäuberten Untergrund auf.
- Beachten Sie: Bringen Sie den Aufkleber nicht auf raues laminiertes oder lackiertes Holz an.



LAPPSET®
BETON FOUNDATION

FOOT

DATE: 27.10.2015

1(1)

| | | | |
|--|-----|--|-----|
| ② 905104 | PCS | | PCS |
| | 4 | | |
|  M10 | PCS | | PCS |
| | | | |



905104

LAPPSET® DEEP FOUNDATION

FOOT

DATE: 15.5.2018

1(1)



| | | | |
|-----------|-----|------------|-----|
| ① 909511 | PCS | ② 909519 | PCS |
| | 1 | | 1 |
| 90x90x650 | | 50x380x380 | |

| | | | |
|----------|-----|----------|-----|
| ③ 909637 | PCS | ④ 909638 | PCS |
| | 4 | | 8 |
| M10 | | Ø20/10.5 | |

| | | | |
|----------|-----|----------|-----|
| ⑤ 909639 | PCS | ⑥ 905104 | PCS |
| | 4 | | 4 |
| M10x25 | | M10 | |

OPTION FOOT

| | | | |
|-----------|-----|--|-----|
| ① 911155 | PCS | | PCS |
| | 1 | | |
| 90x90x650 | | | |