

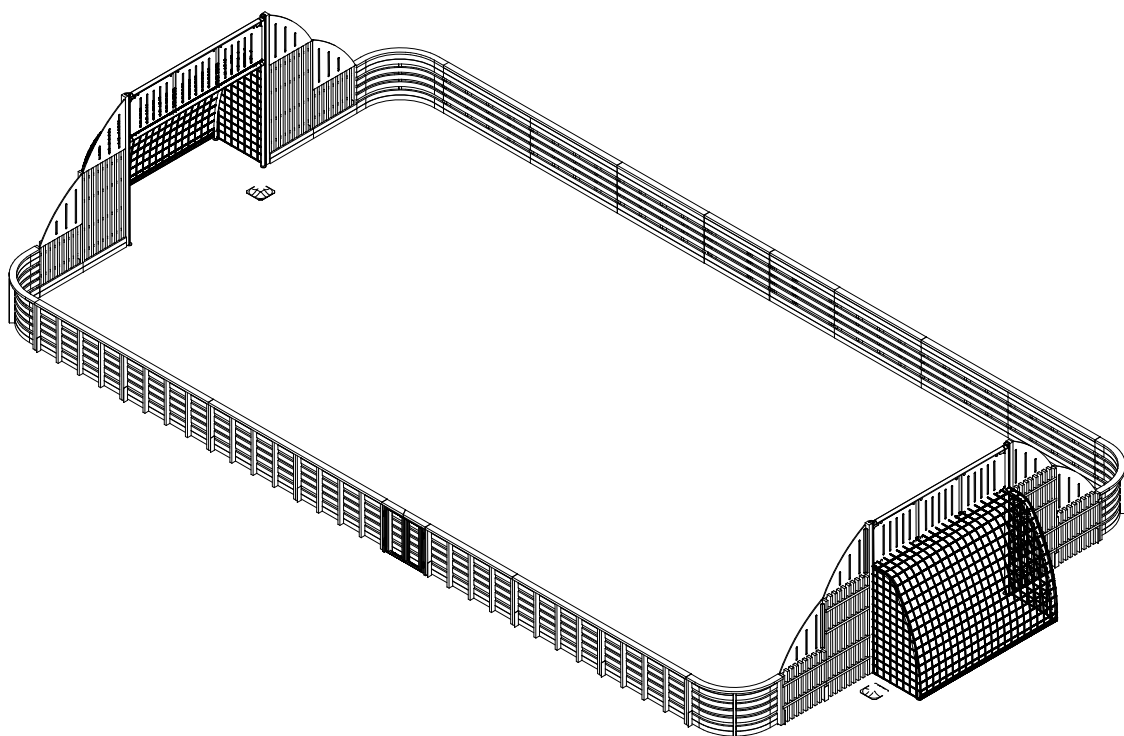
# LAPPSET®

## ARENA

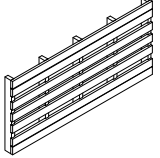
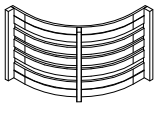
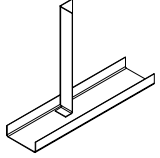

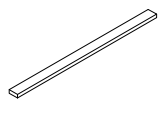
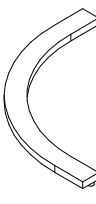

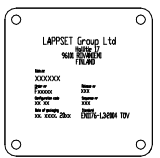
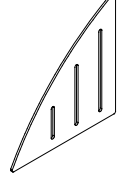
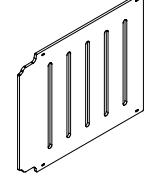
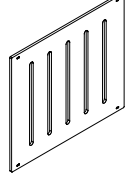
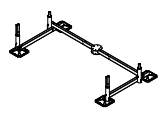

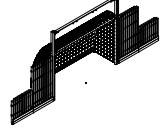

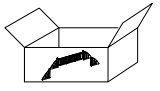
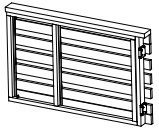
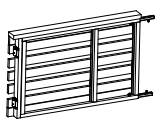
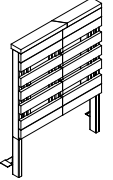
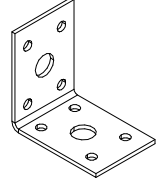
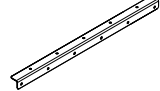
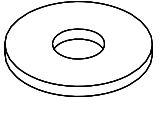




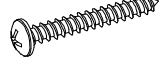

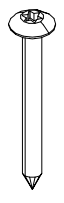
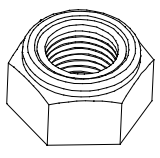
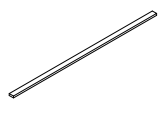
ASENNUSOHJE  
MONTERINGSANSVISNING  
INSTALLATION INSTRUCTION  
AUFBAUANLEITUNG  
NOTICE D'INSTALLATION

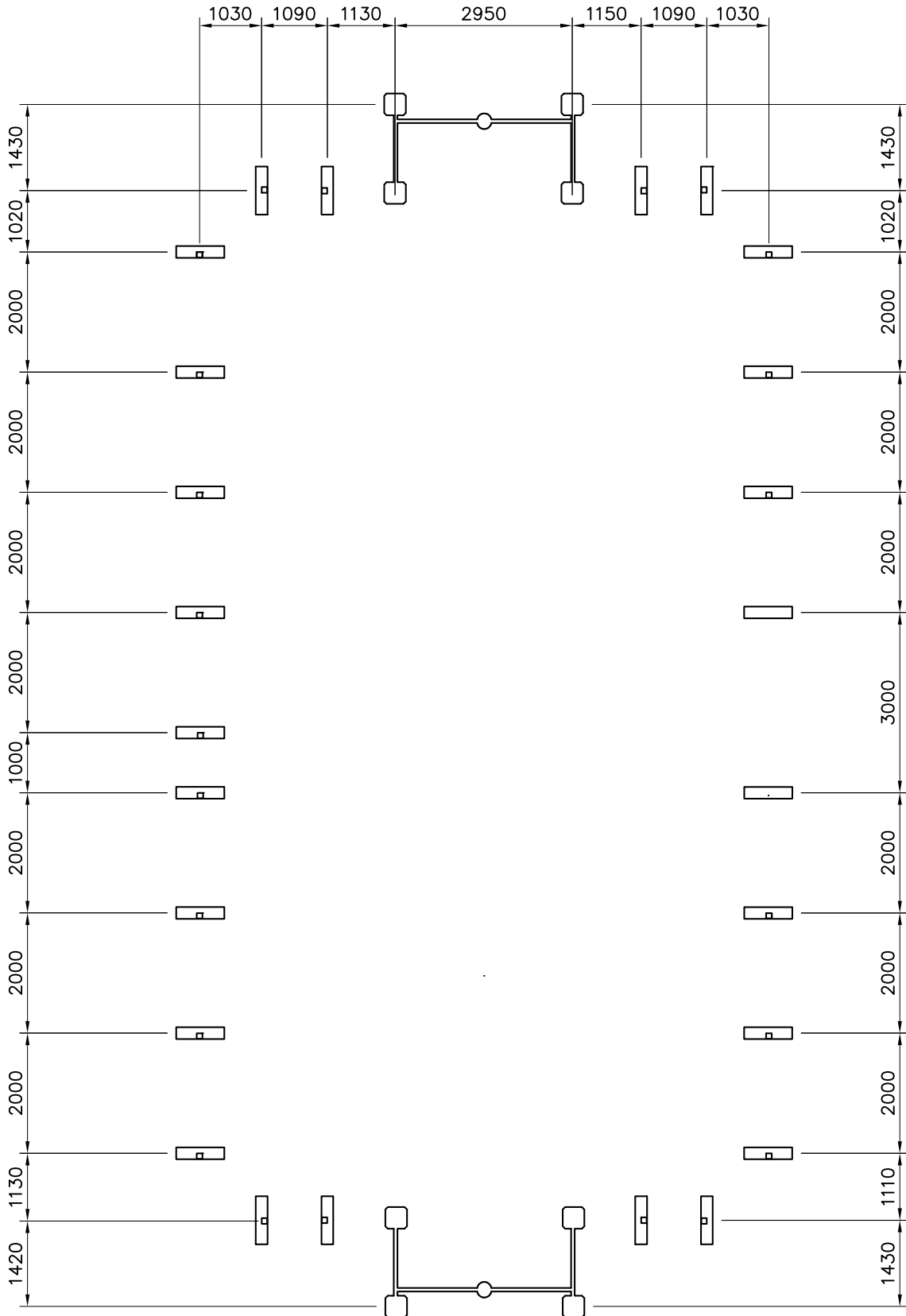
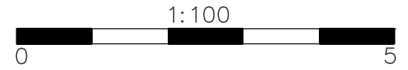
DATE: 29.6.2022

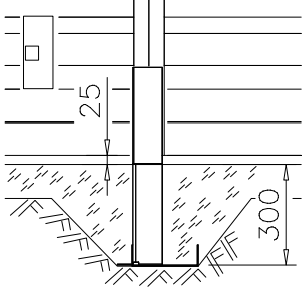
Q16497

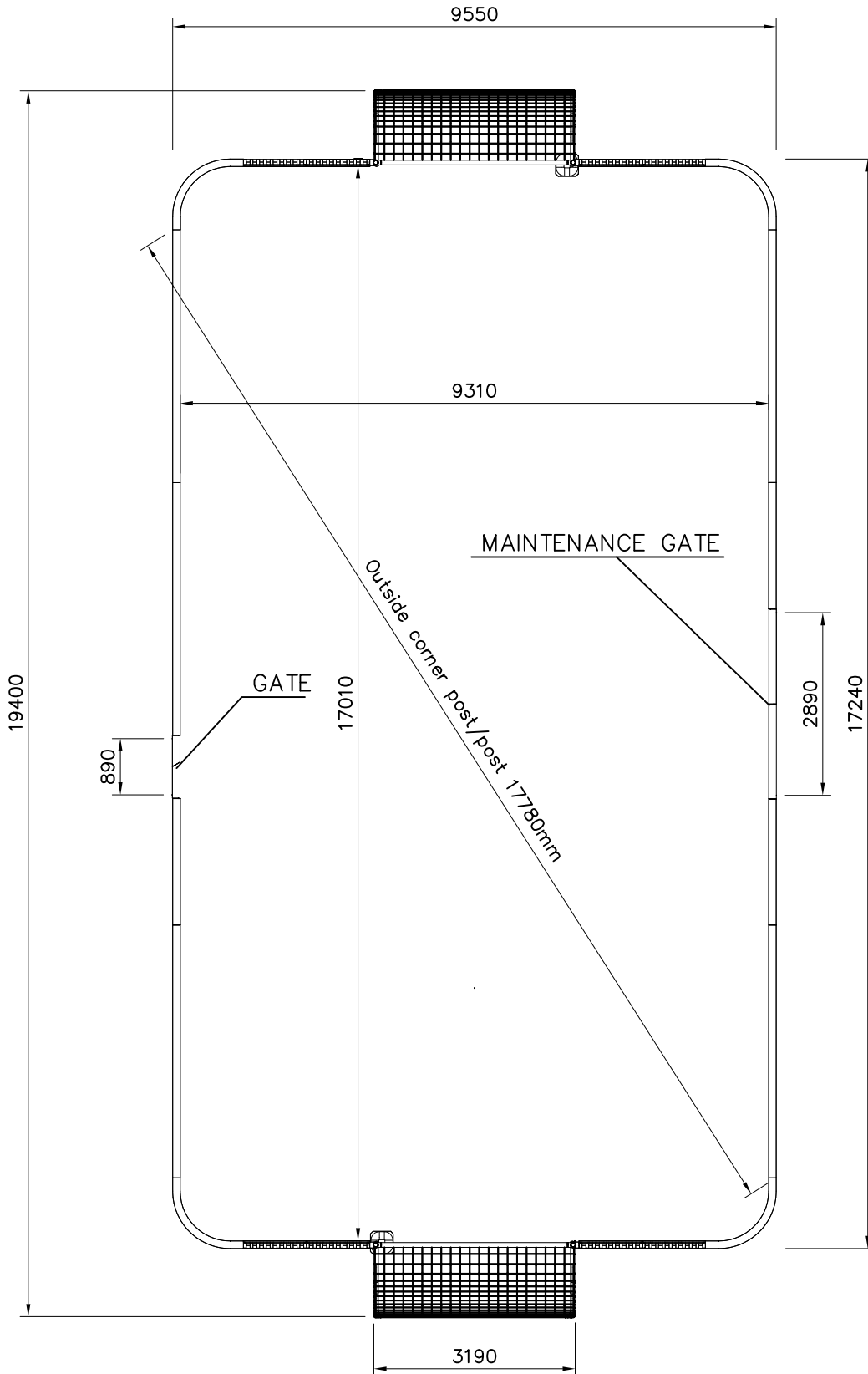


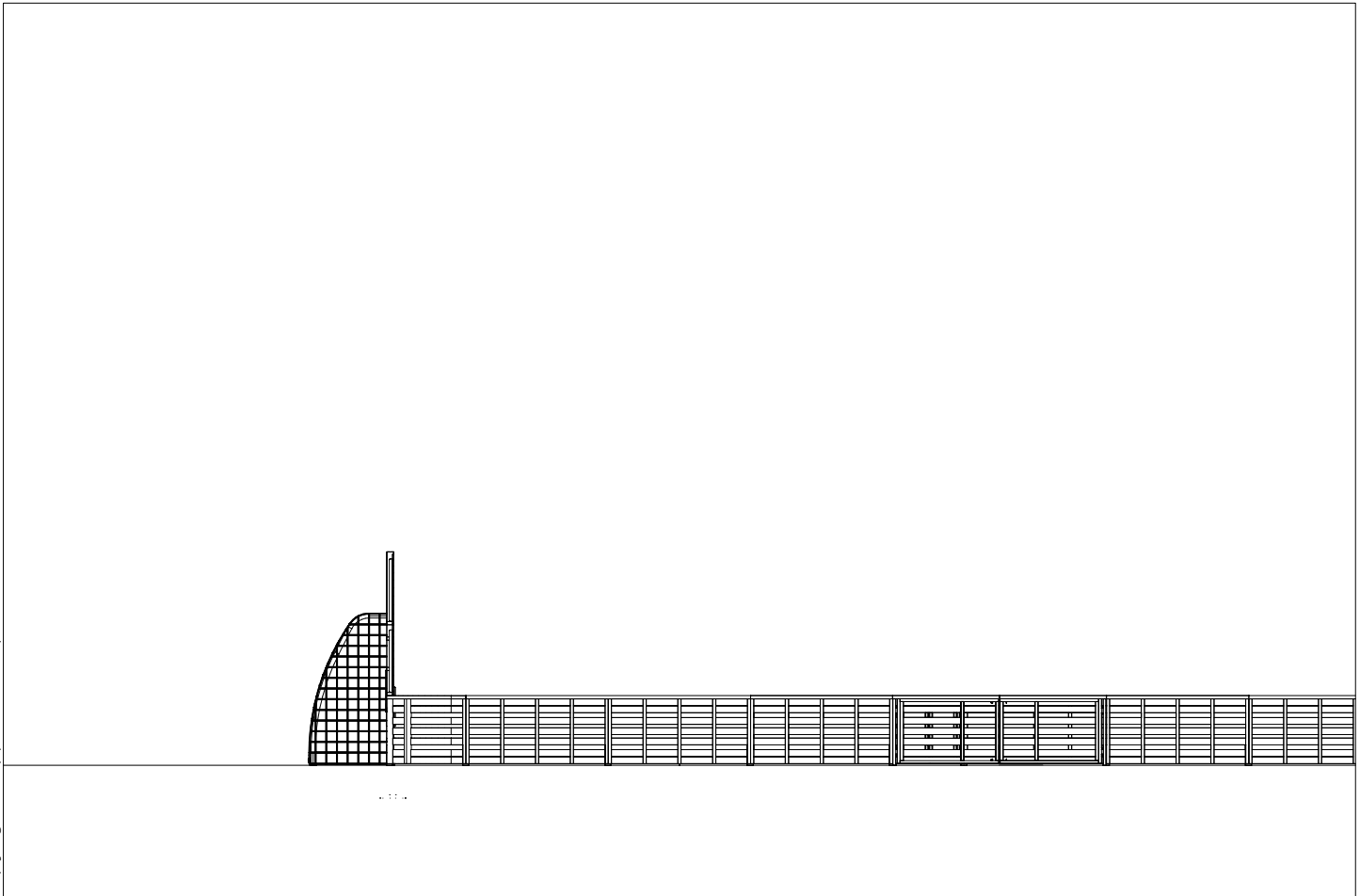
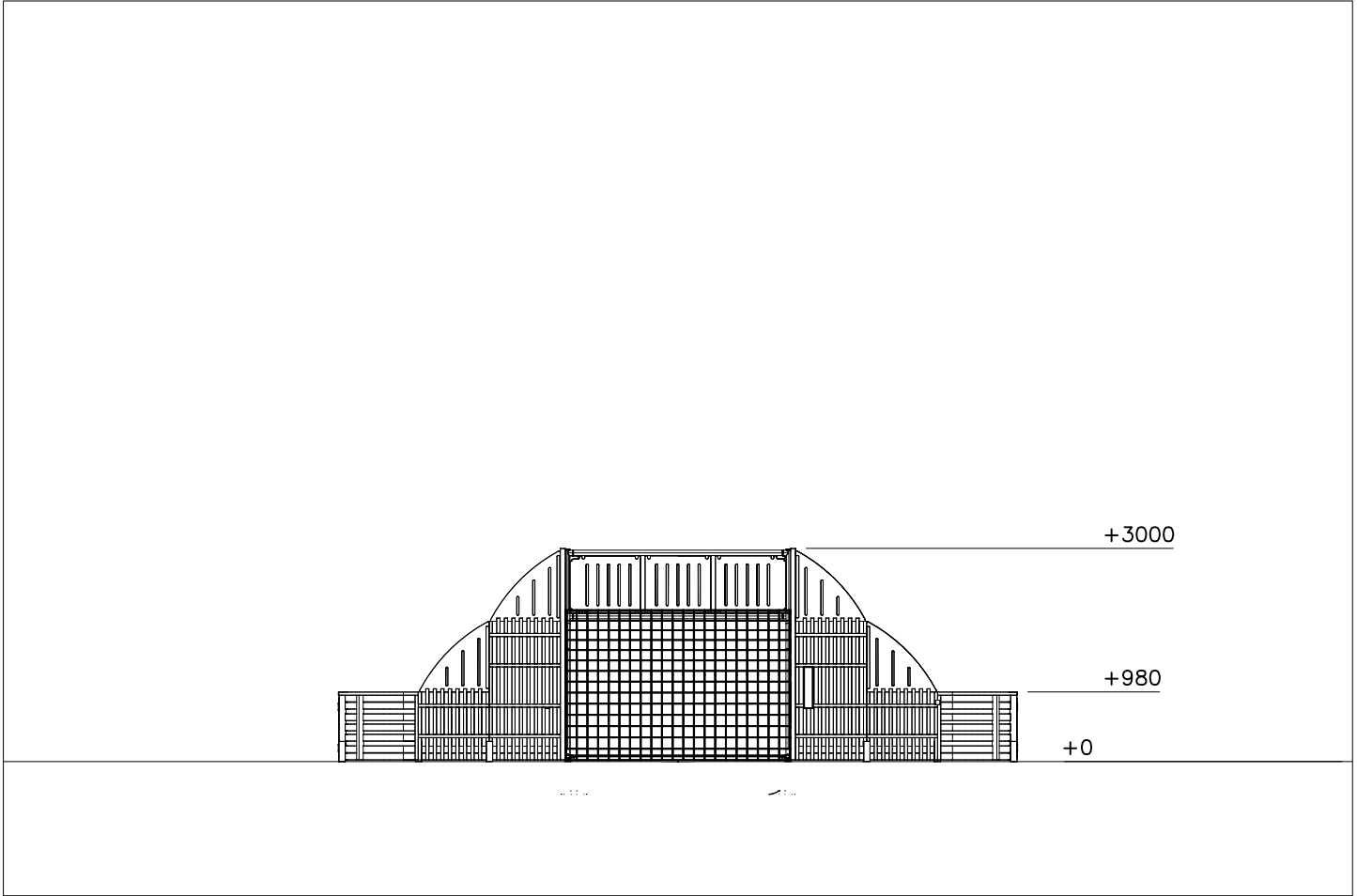
DATE: 9.8.2022

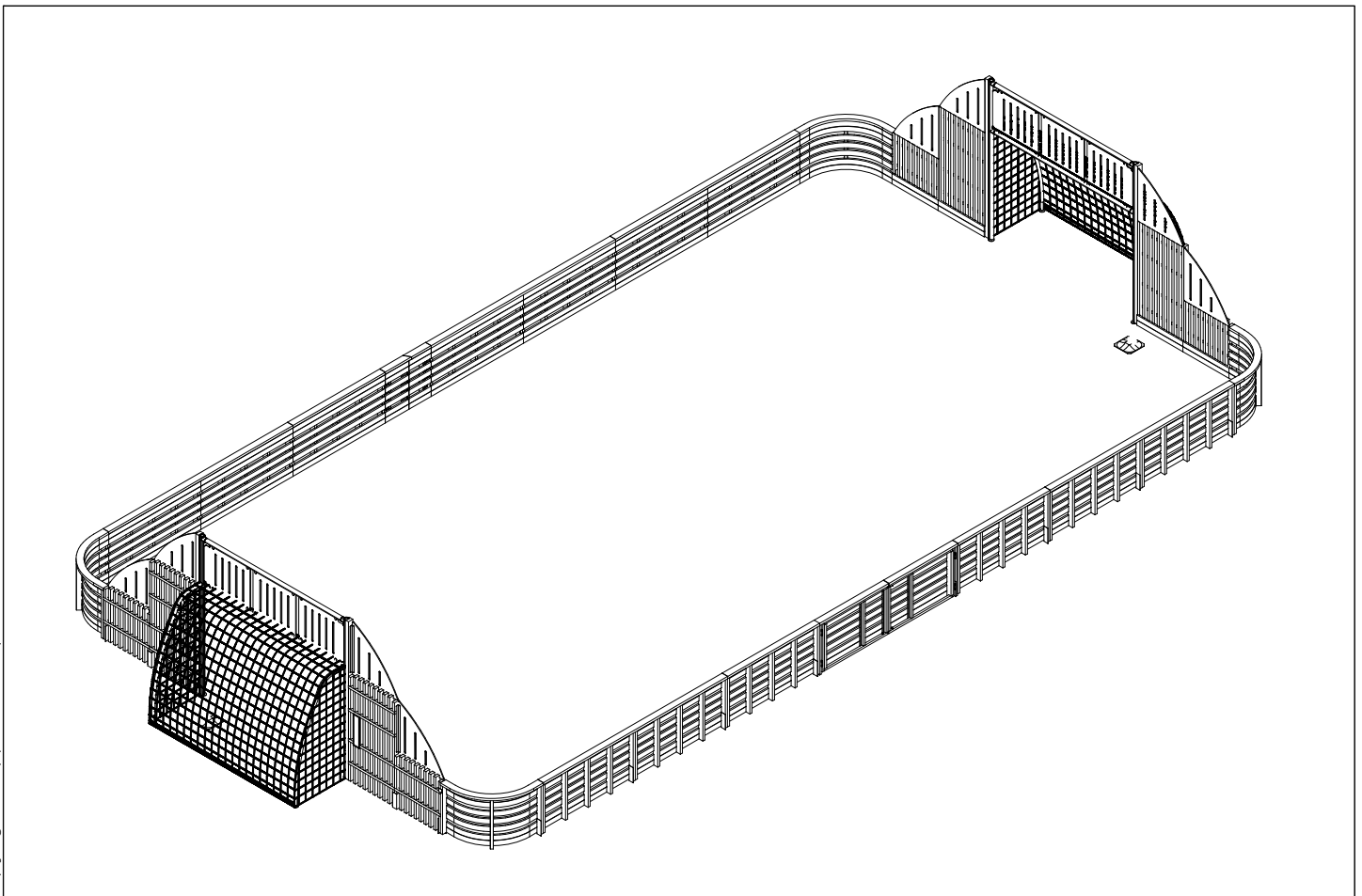
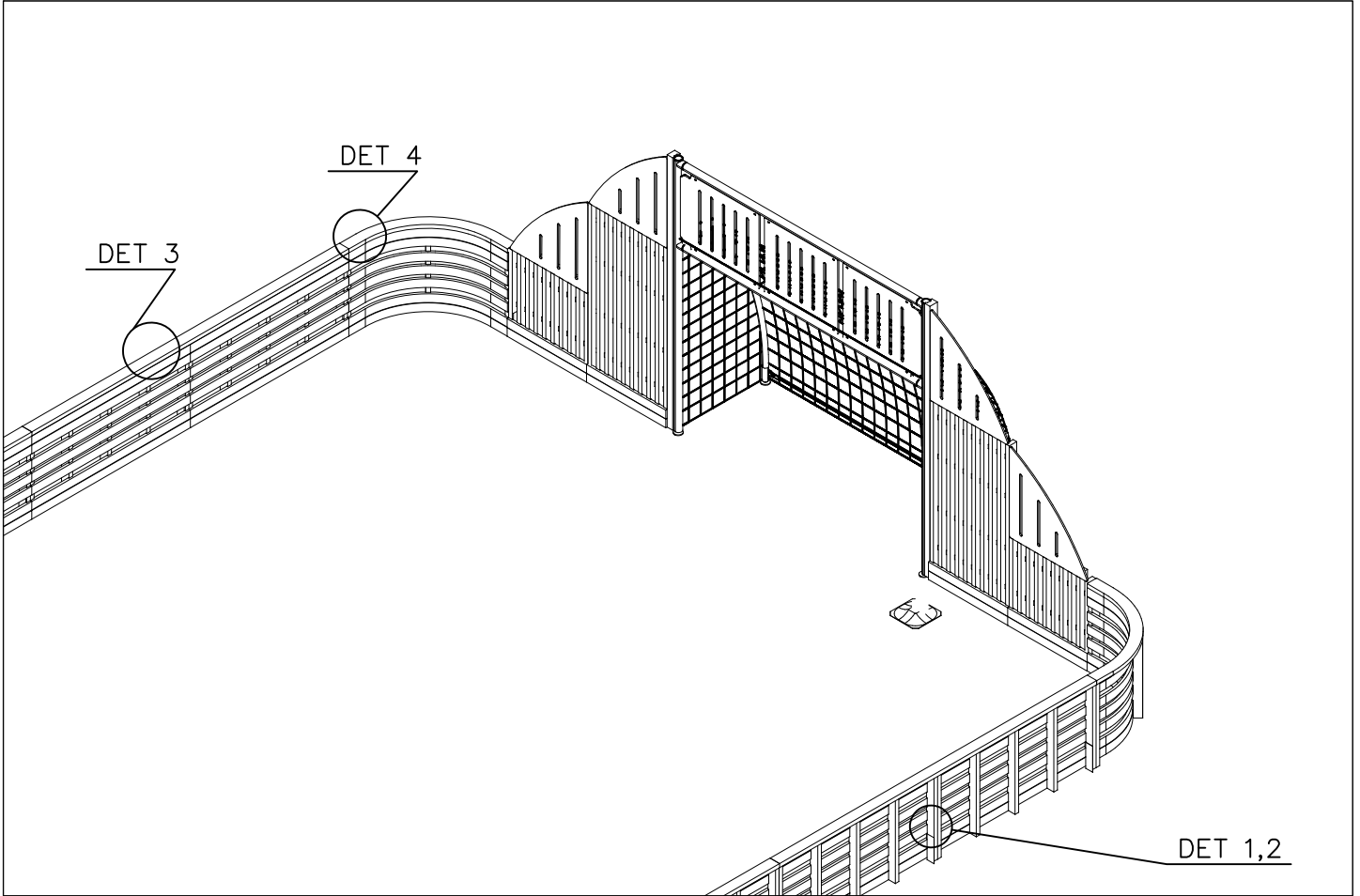
702021  L 2000	PCS 13	702038 	PCS 4	702220  	PCS 25	702227  L 2000	PCS 3	702248 	PCS 4	702269  10x125x520	PCS 1
702286  65x65	PCS 1	704250-705  990x980x15	PCS 8	707204-705  15x814x992	PCS 4	707208-705  15x814x925	PCS 2	707215  	PCS 2	708368-U  	PCS 2
708369 	PCS 2	708440 	PCS 1	708441 	PCS 1	708557 	PCS 1	902434 	PCS 46	904900  45x45x3x875	PCS 8
905051  Ø24/8.4	PCS 138	909203  M8x75	PCS 63	909266  M8x50	PCS 6	909829 	PCS 1	909883 	PCS 1	980114  Ø4x20	PCS 4
980122  Ø5x30	PCS 4	980128  Ø7x40	PCS 92	980150  M8	PCS 69	P01445  L 4000	PCS 5		PCS		PCS
	PCS		PCS		PCS		PCS		PCS		PCS
	PCS		PCS		PCS		PCS		PCS		PCS

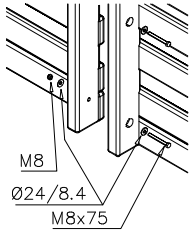
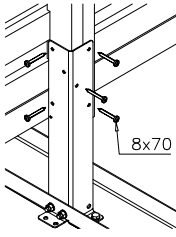
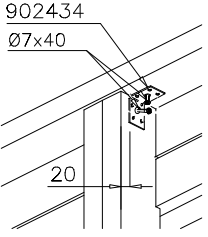
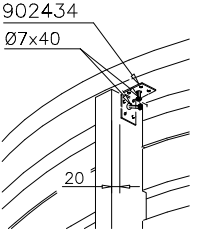
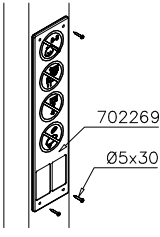


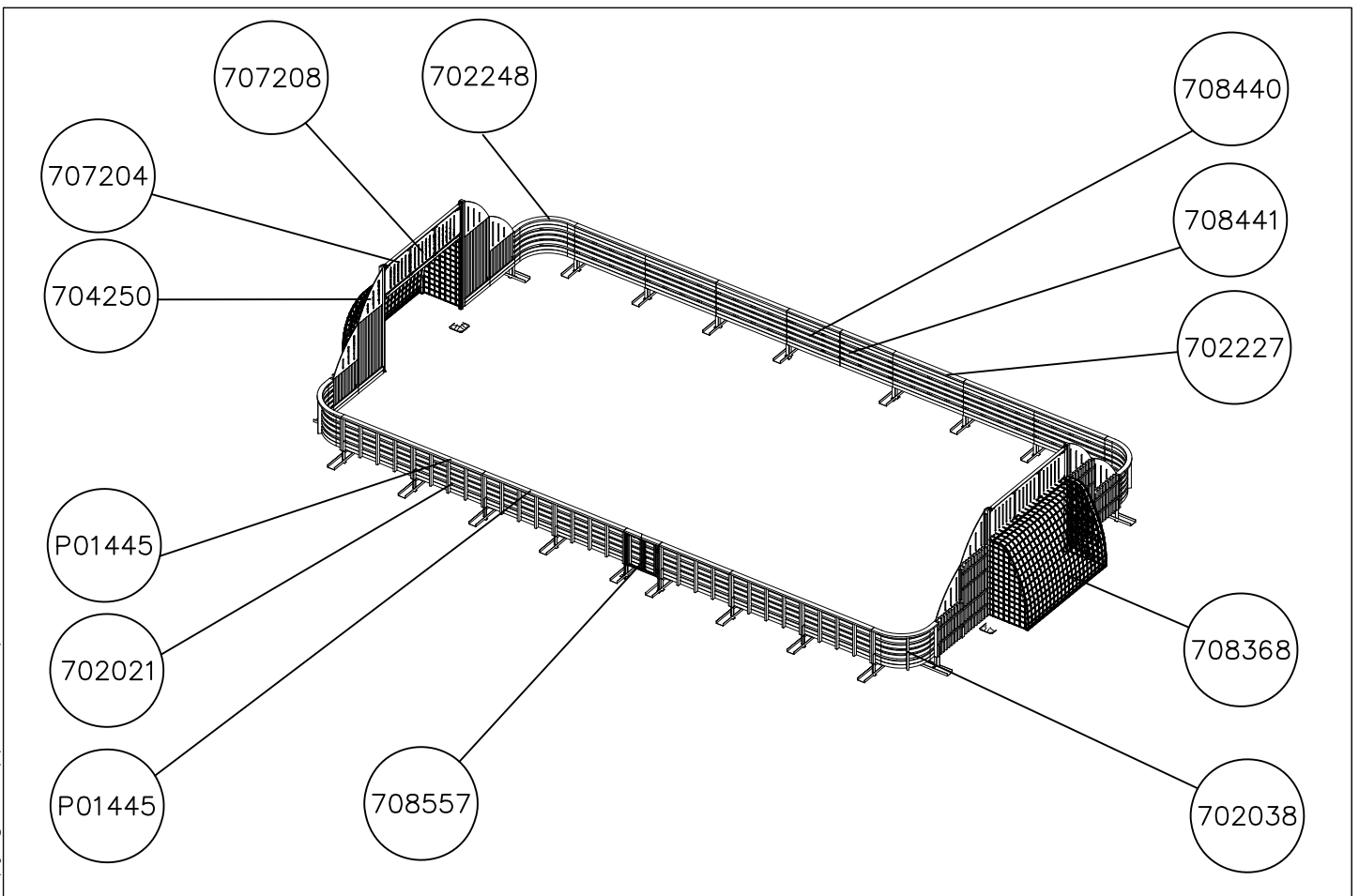
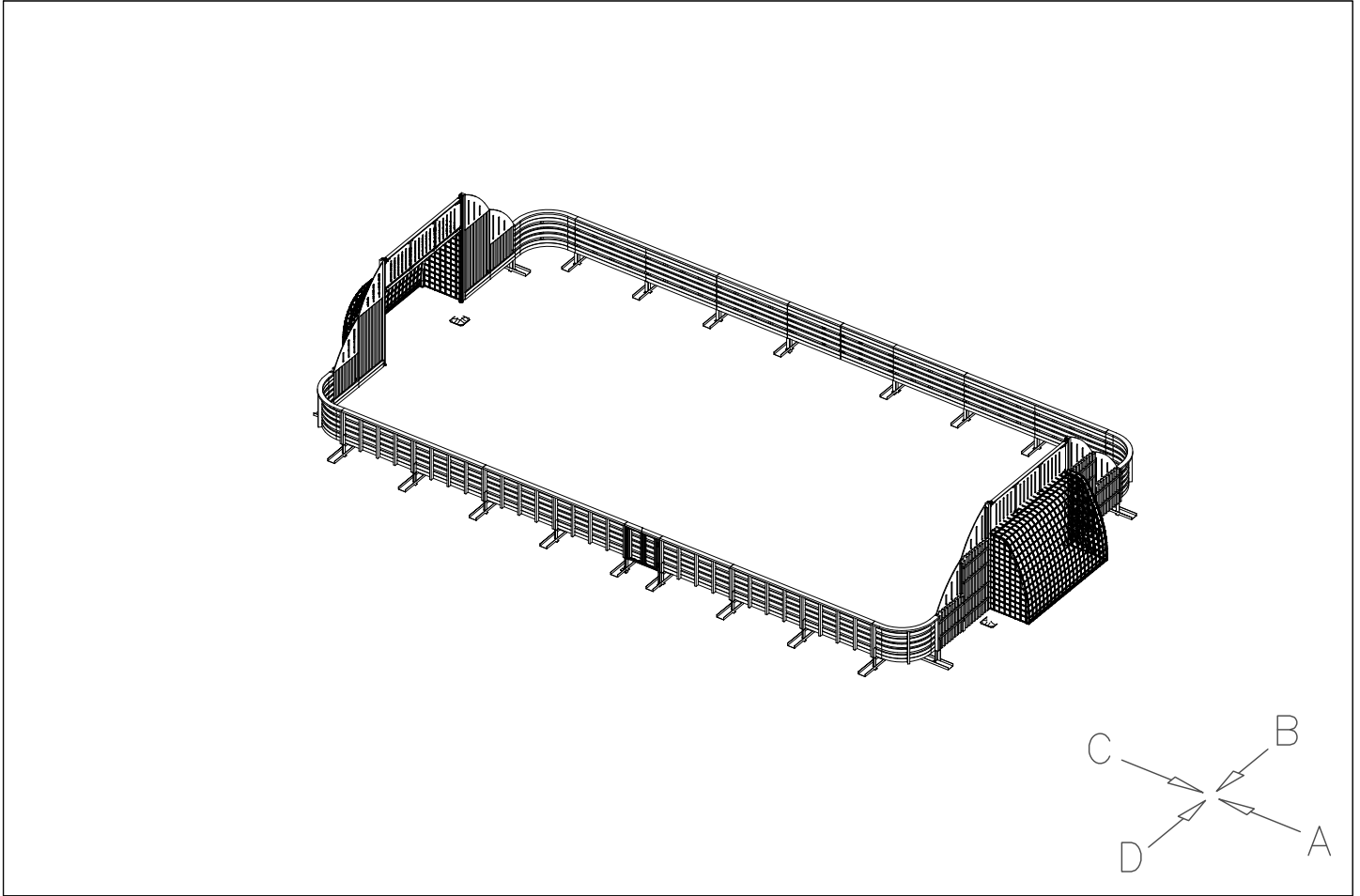




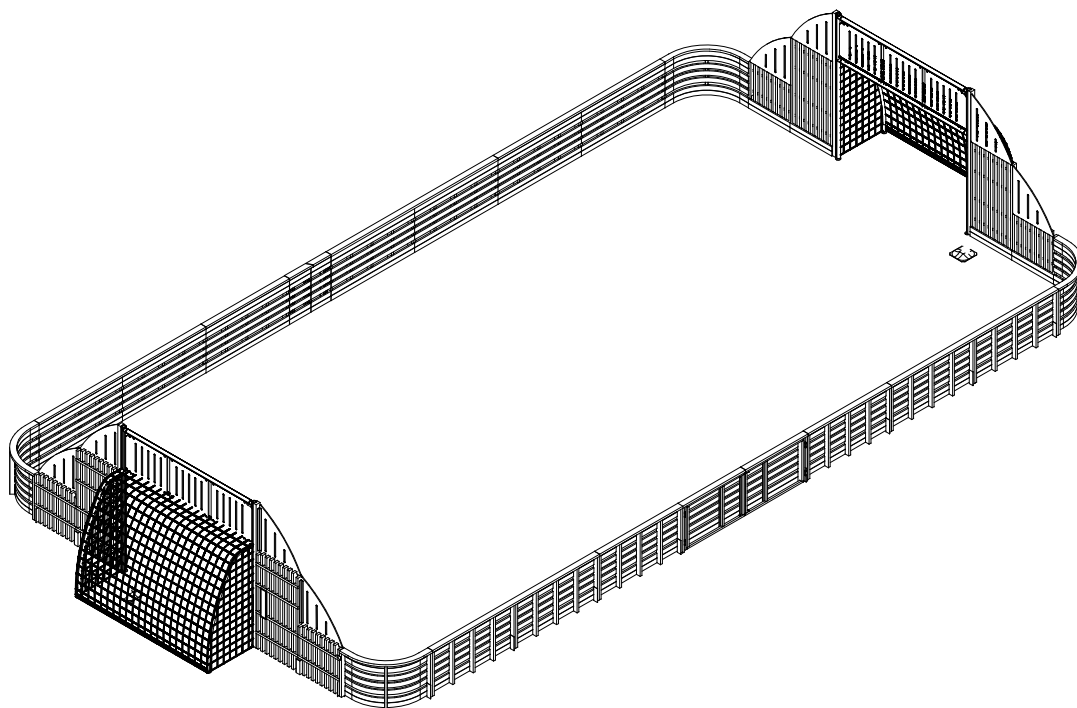


<p>DET 1</p>  <p>M8 Ø24/8.4 M8x75</p>	<p>DET 2</p>  <p>8x70</p>	<p>DET 3</p>  <p>902434 Ø7x40 20</p>	<p>DET 4</p>  <p>902434 Ø7x40 20</p>
<p>DET 5</p>  <p>702269 Ø5x30</p>			

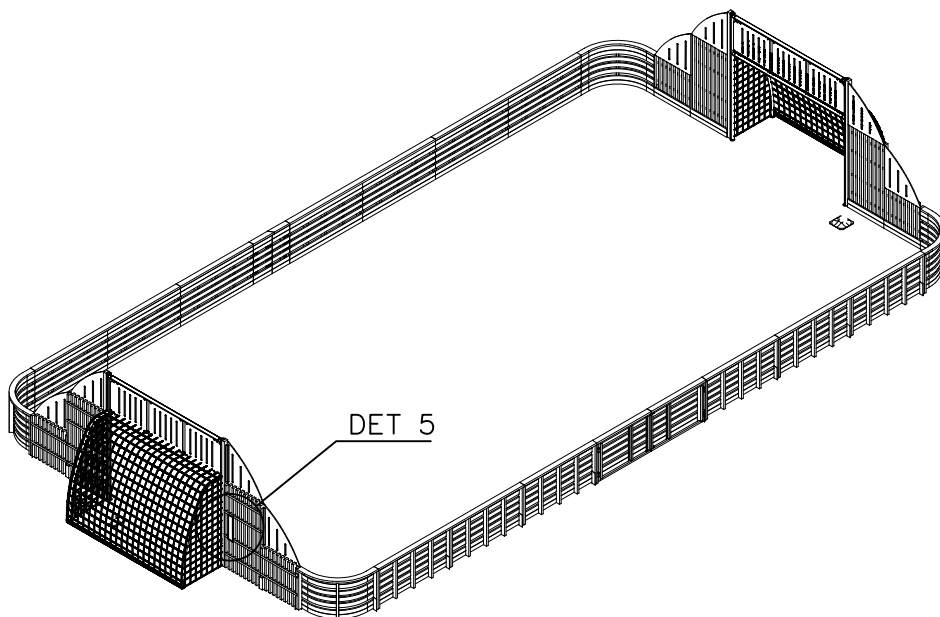


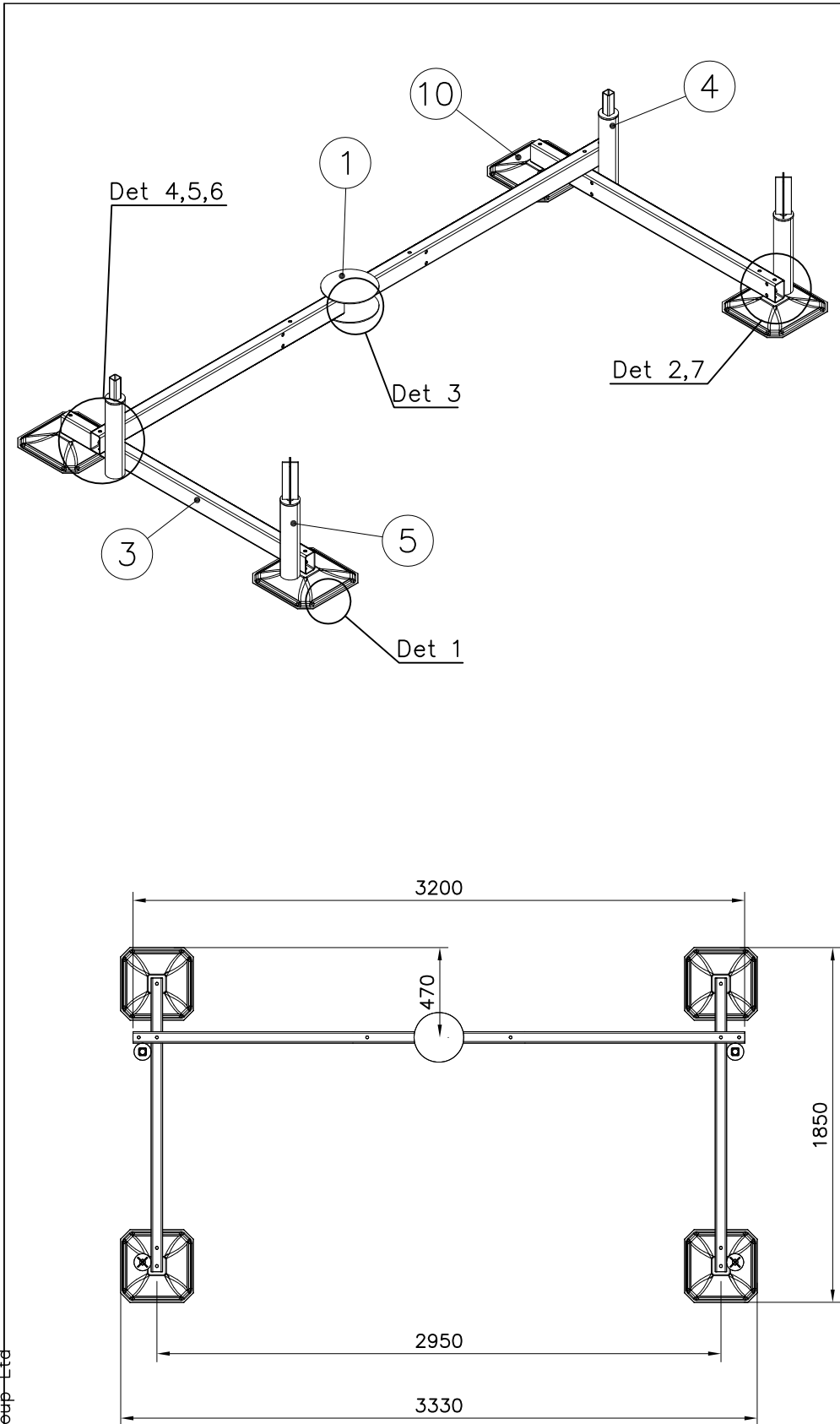


EDGE PLANKS



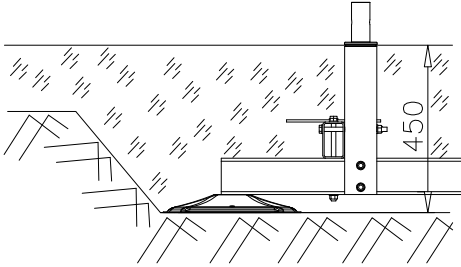
WALLS AND GOALS



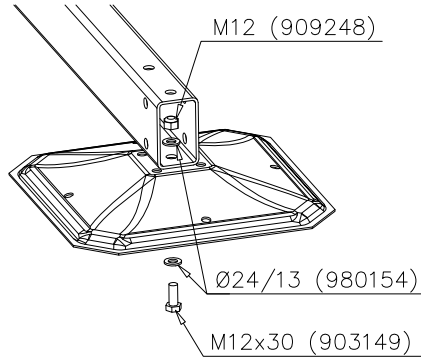


① 900844	PCS	② 903149	PCS
	2		4
Ø260x5		M12x30	
③ 904918	PCS	④ 904919	PCS
	4		2
1535x100x60x4		Ø88.9x530	
⑤ 908086	PCS	⑥ 909136	PCS
	2		10
Ø88.9x610		M12x180	
⑦ 909139	PCS	⑧ 909144	PCS
	2		2
M12x130		M12x220	
⑨ 909248	PCS	⑩ 909519	PCS
	18		4
M12		50x380x380	
⑪ 980154	PCS		PCS
	36		
Ø24/13			
	PCS		PCS
	PCS		PCS

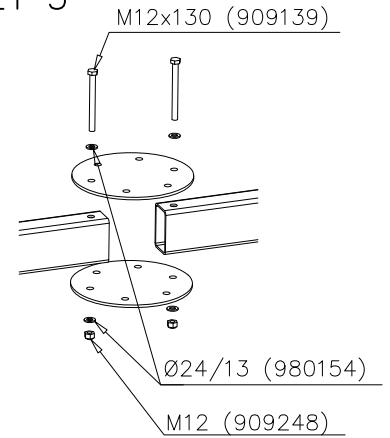
DET 1



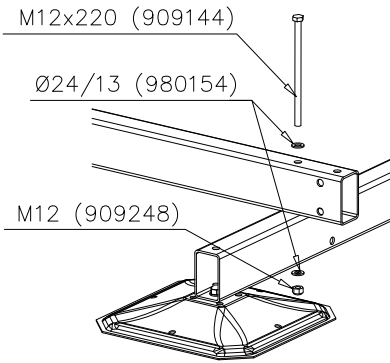
DET 2



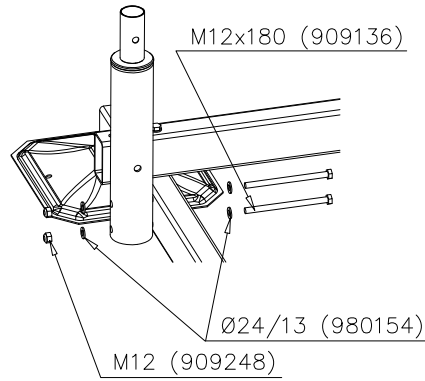
DET 3



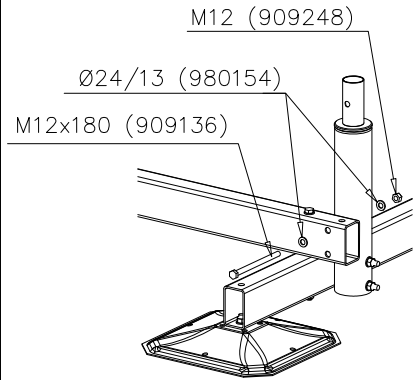
DET 4



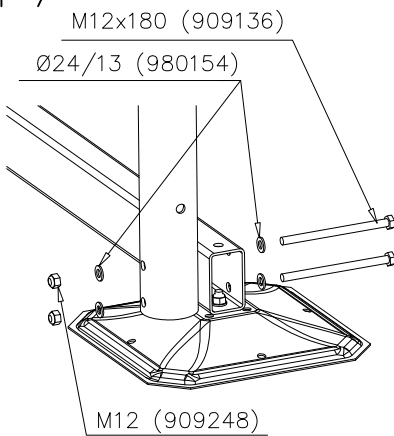
DET 5

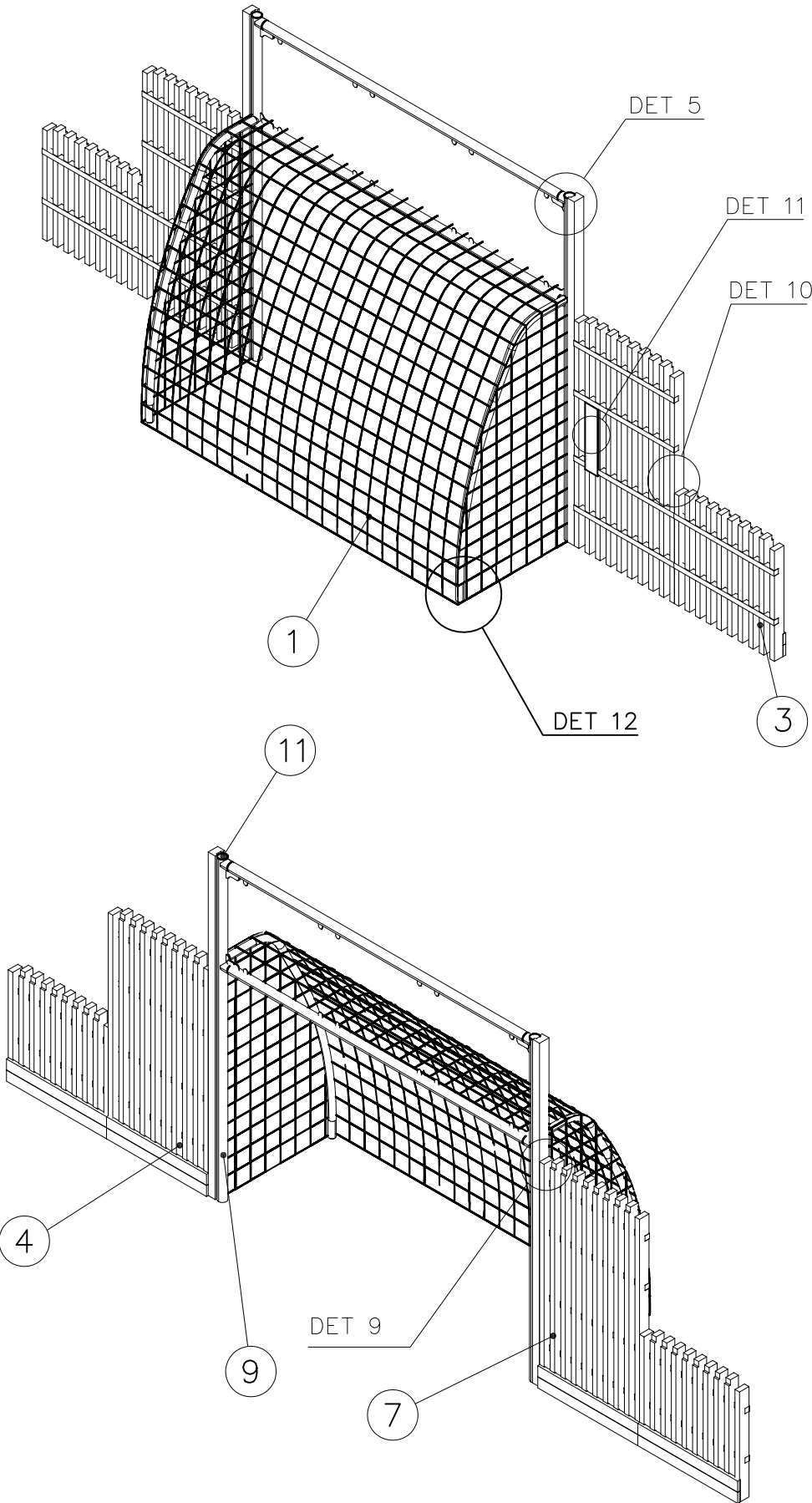


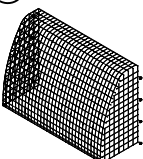

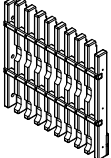
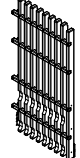
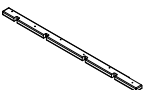

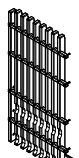





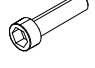
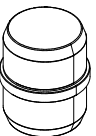
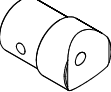
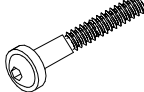
DET 6

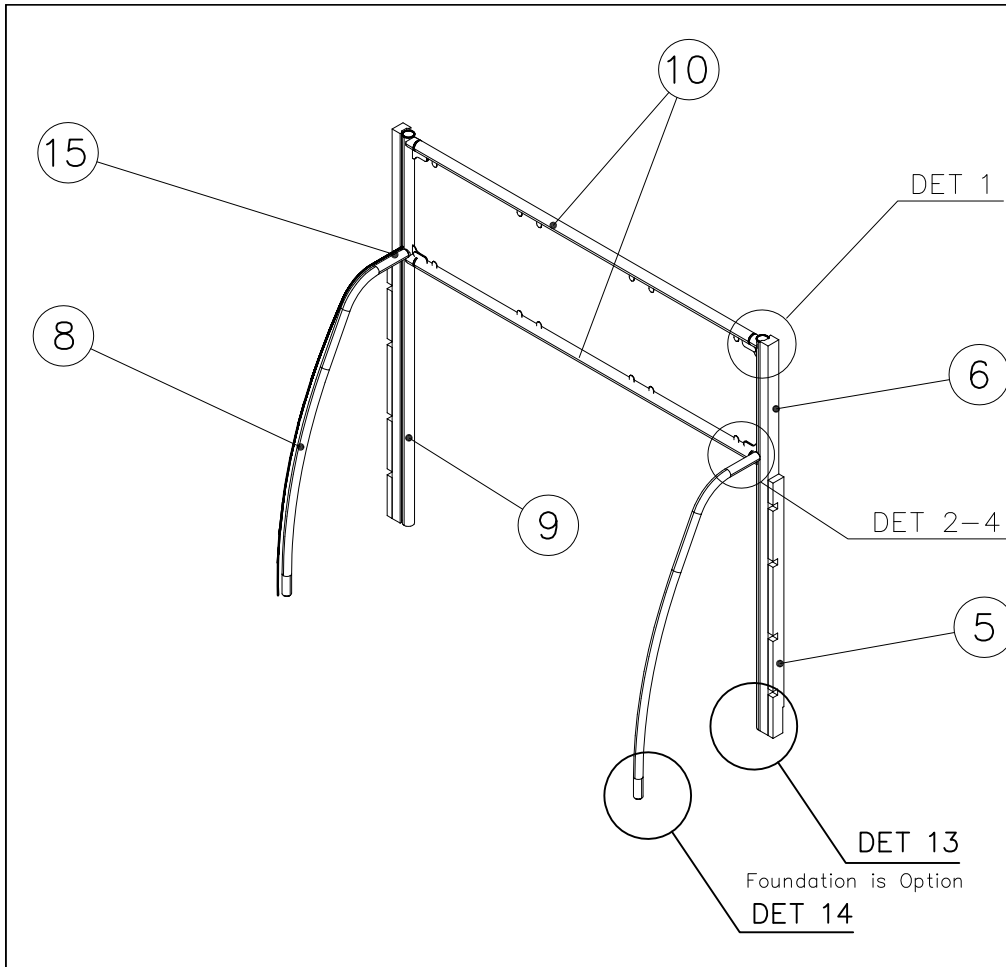


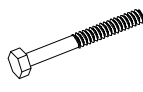
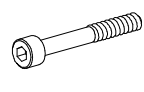
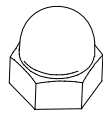
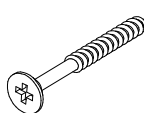
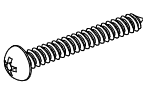



DET 7

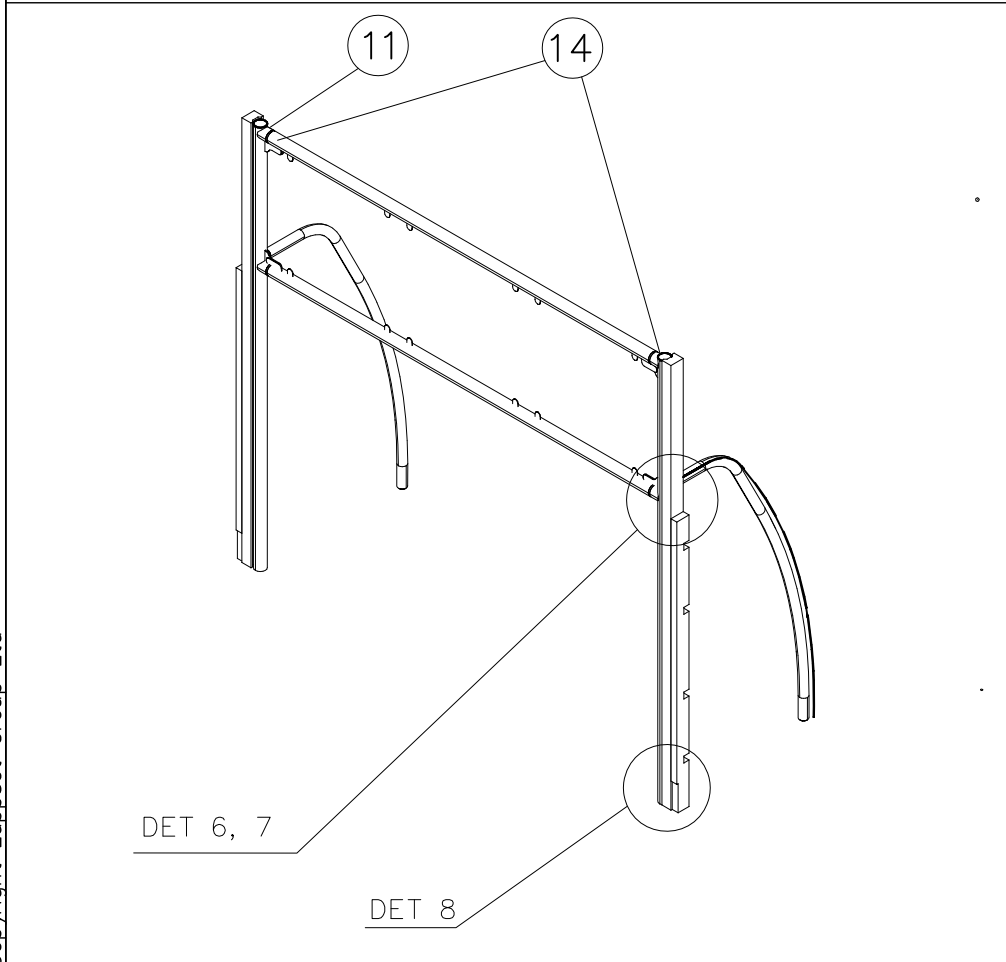


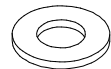
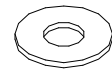
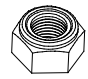

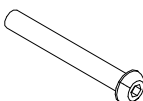
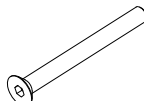
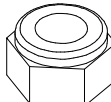
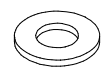


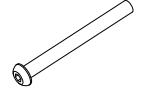
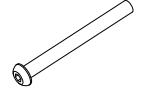
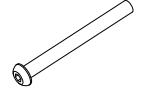
① 704563 150x3160x2100 	PCS 1	② 702269 10x125x520 	PCS 1
③ 704233 1000x1000 	PCS 2	④ 704241 1000x1995 	PCS 1
⑤ 704242 45x95x1950 	PCS 2	⑥ 704245 70x95x2975 	PCS 2
⑦ 704246 1000x1995 	PCS 1	⑧ 904899 Ø60x2.5 	PCS 2
⑨ 908070 Ø76.1x2965 	PCS 2	⑩ 908071 Ø76.1x2945 	PCS 2
⑪ 904800 GL75x1-3,5 	PCS 2	⑫ 905051 Ø24/8.4 	PCS 32
⑬ 906829 M10x25 	PCS 8	⑭ 907843 Ø76x90 	PCS 4
⑮ 908069 Ø60x87,6 	PCS 2	⑯ 909117 M8x100 	PCS 8

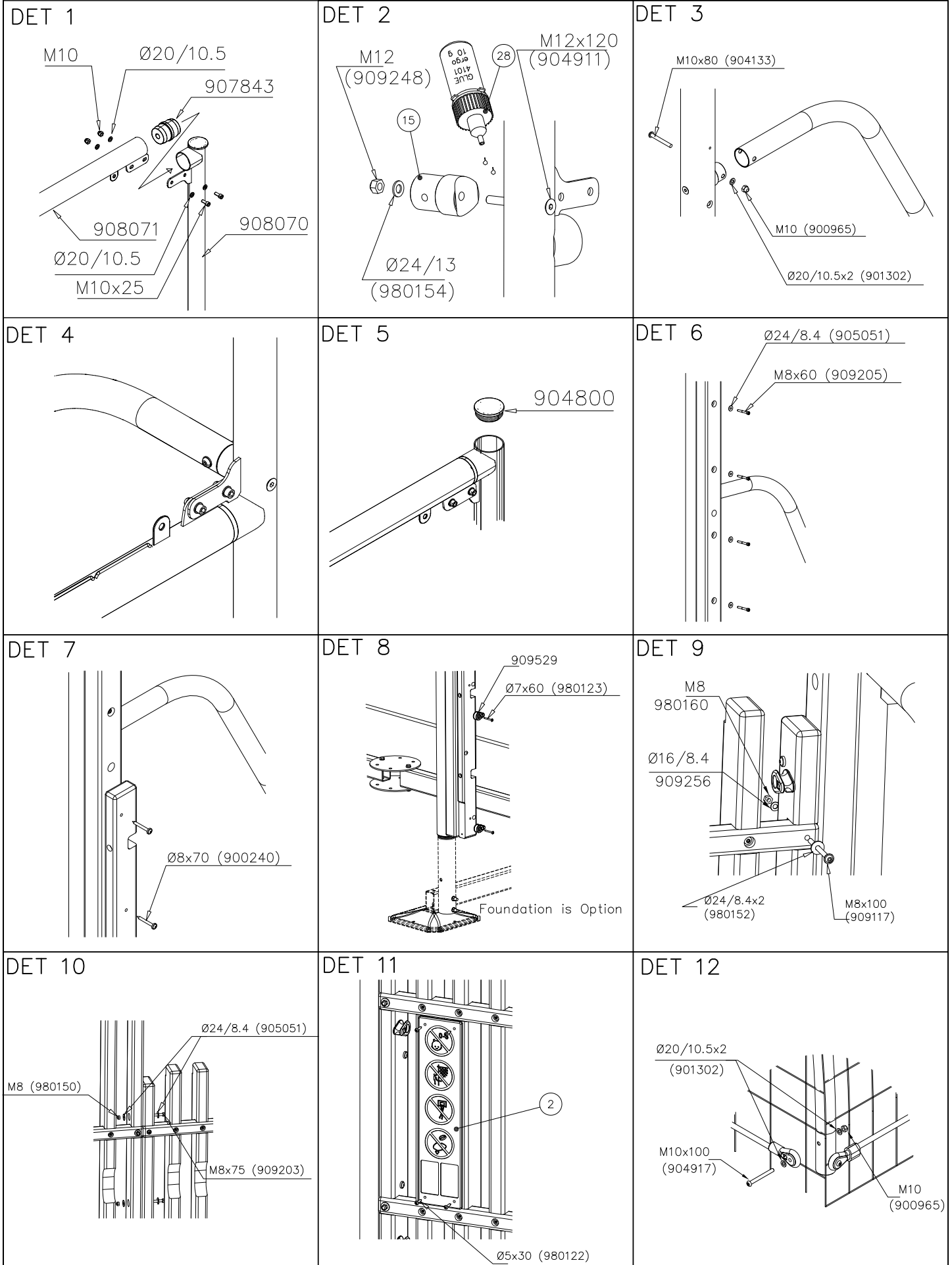


(17) 909203	PCS	(18) 909205	PCS
	6		20
M8x75		M8x60	
(19) 900965	PCS	(20) 980107	PCS
	12		8
M10		Ø6x60	
(21) 980122	PCS	(22) 900240	PCS
	4		12
Ø5x30		Ø8x70	
(23) 980154	PCS	(24) 980150	PCS
	4		6
Ø24/13		M8	24



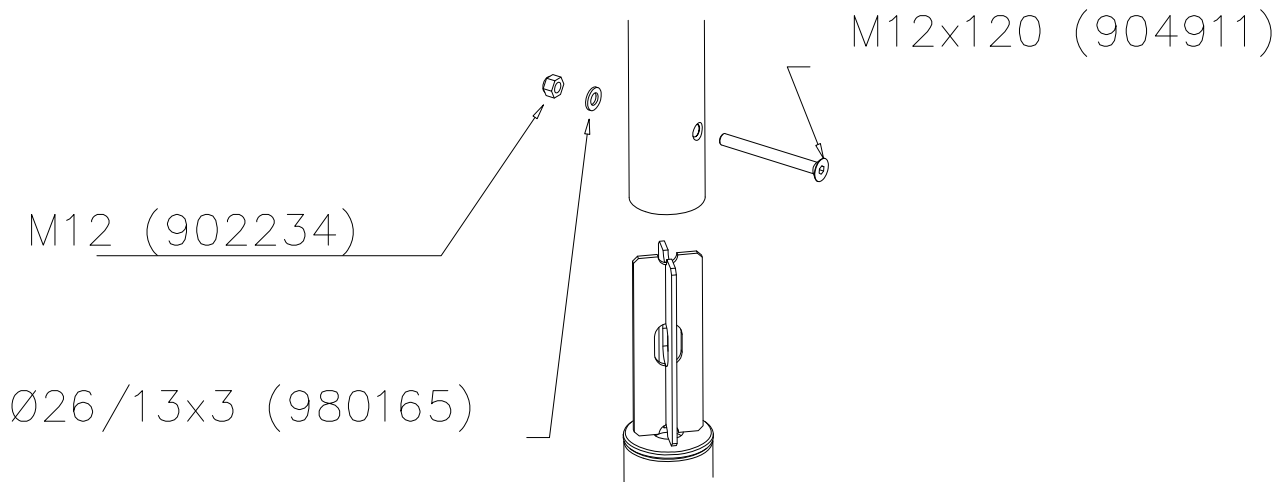
(25) 901302	PCS	(26) 980152	PCS
	24		8
Ø20/10.5x2		Ø24/8.4x2	
(27) 980160	PCS	(28) 999561	PCS
	8		1
M8		10g	
(29) 904133	PCS	(30) 904911	PCS
	2		4
M10x80		M12x120	
(31) 909248	PCS	(32) 909256	PCS
	4		8
M12		Ø16/8.4x1.6	

<p>(A)</p>	<table border="1"> <tr> <td>PCS</td> <td>(33) 904917</td> <td>PCS</td> </tr> <tr> <td></td> <td></td> <td>2</td> </tr> <tr> <td></td> <td>M10x100</td> <td></td> </tr> <tr> <td>PCS</td> <td></td> <td>PCS</td> </tr> <tr> <td>PCS</td> <td></td> <td>PCS</td> </tr> <tr> <td>PCS</td> <td></td> <td>PCS</td> </tr> </table>	PCS	(33) 904917	PCS			2		M10x100		PCS		PCS	PCS		PCS	PCS		PCS
PCS	(33) 904917	PCS																	
		2																	
	M10x100																		
PCS		PCS																	
PCS		PCS																	
PCS		PCS																	
<p>(B)</p>	<table border="1"> <tr> <td>PCS</td> <td></td> <td>PCS</td> </tr> <tr> <td></td> <td></td> <td></td> </tr> <tr> <td></td> <td></td> <td></td> </tr> </table>	PCS		PCS															
PCS		PCS																	

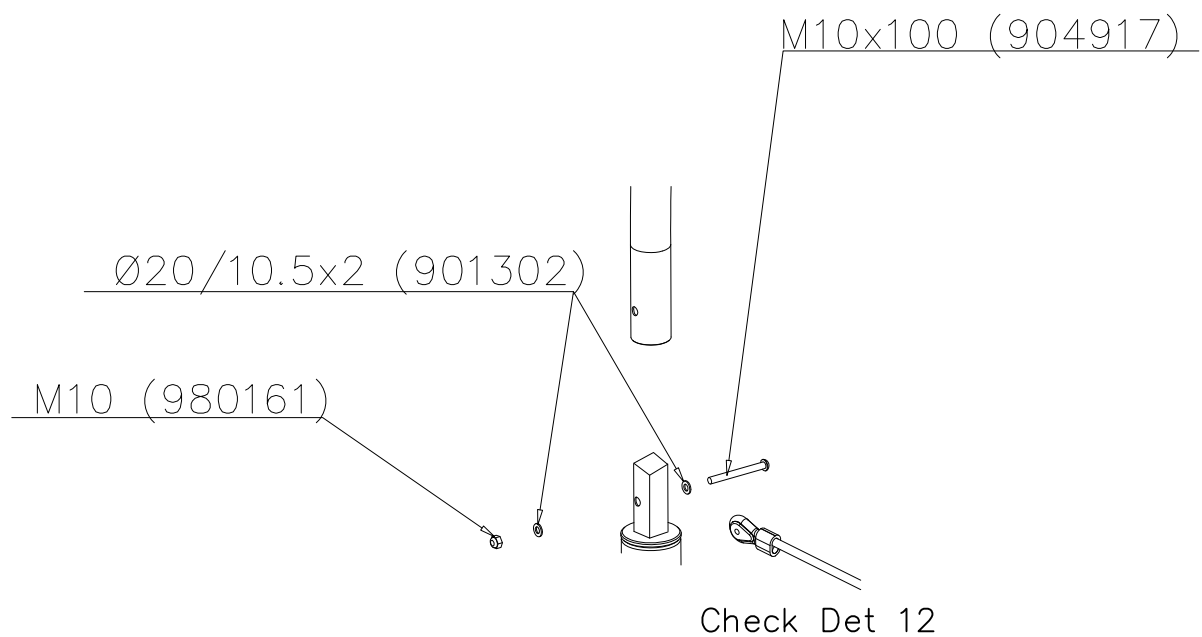


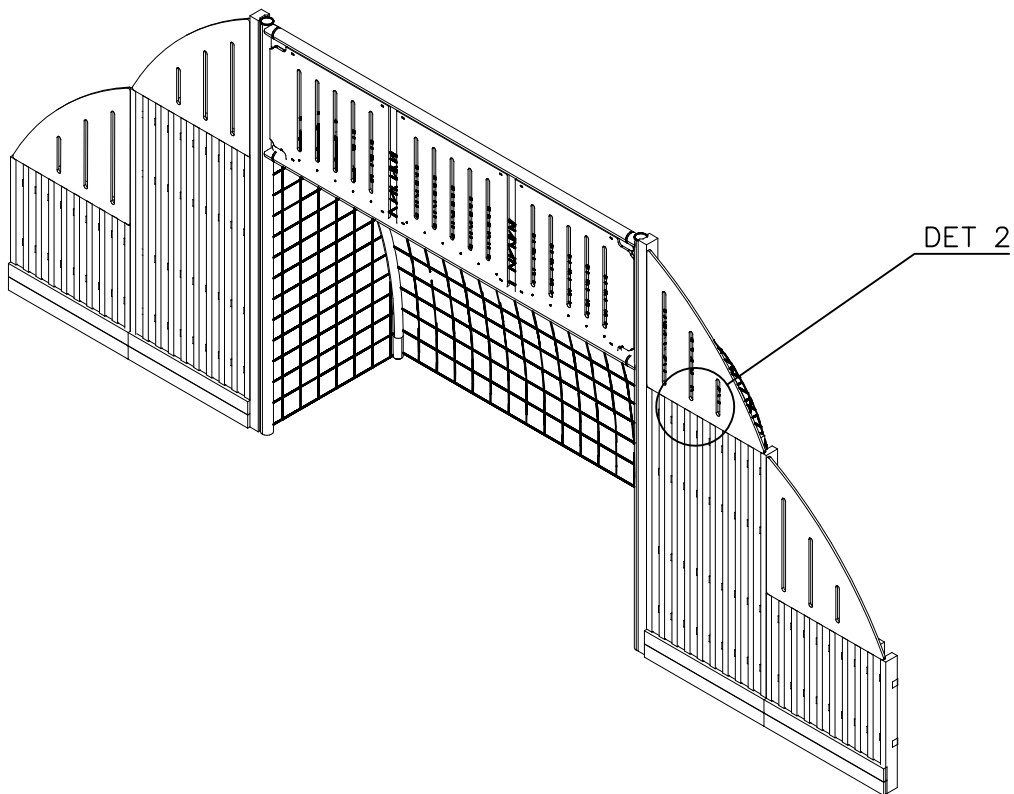
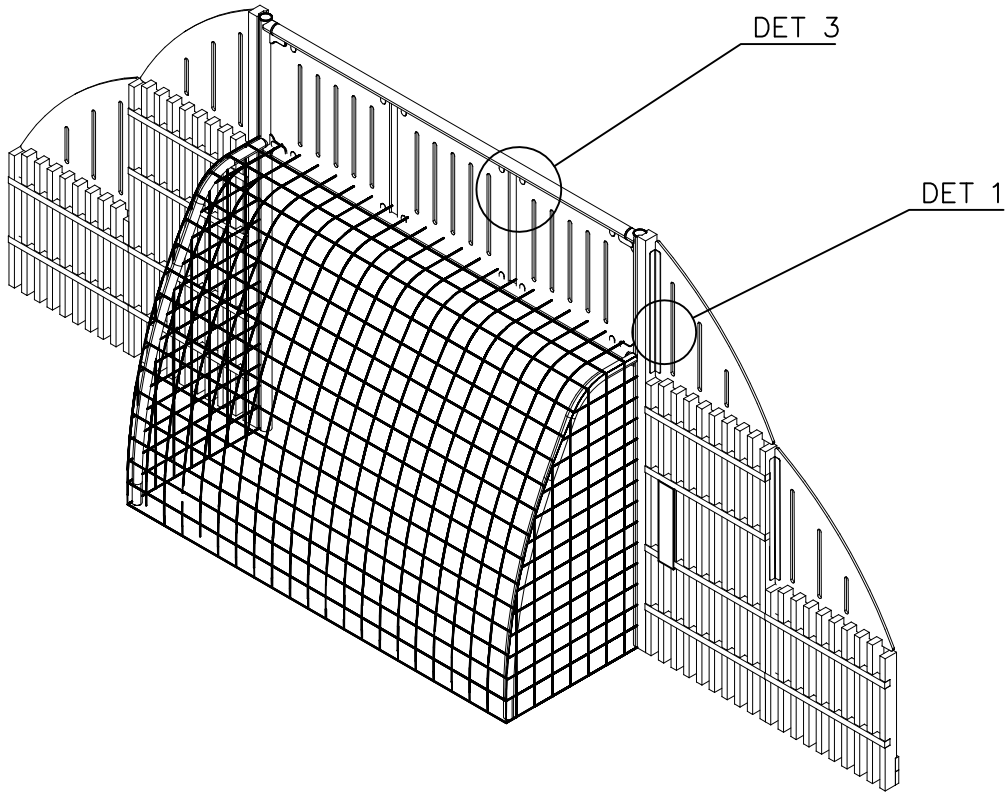


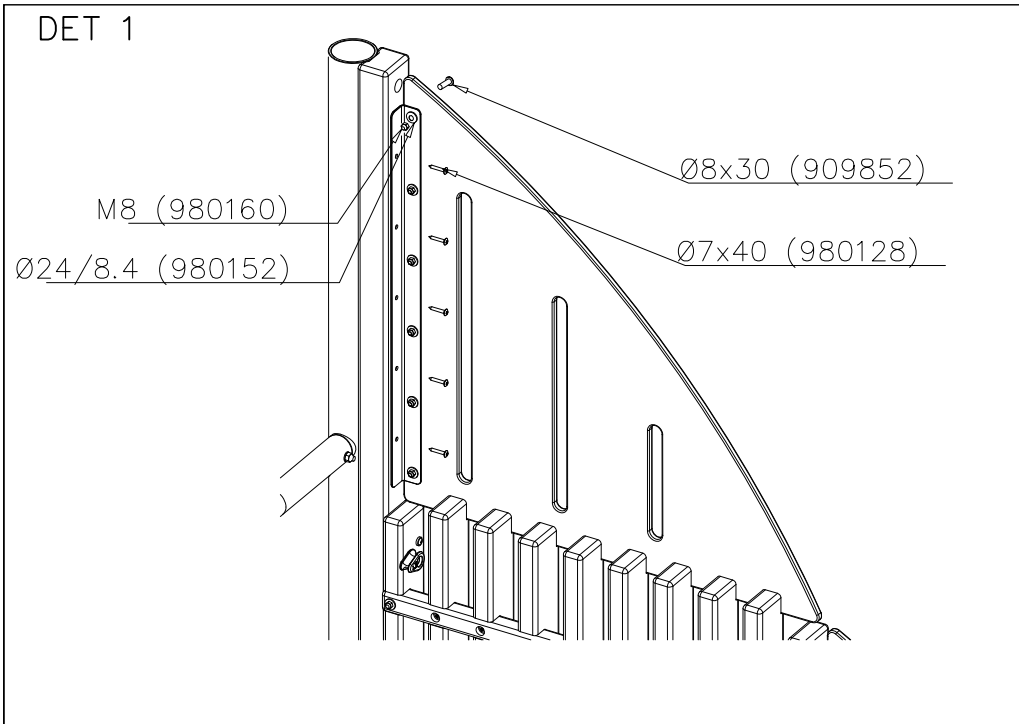
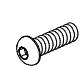
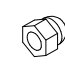
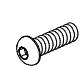
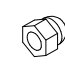
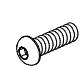
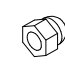
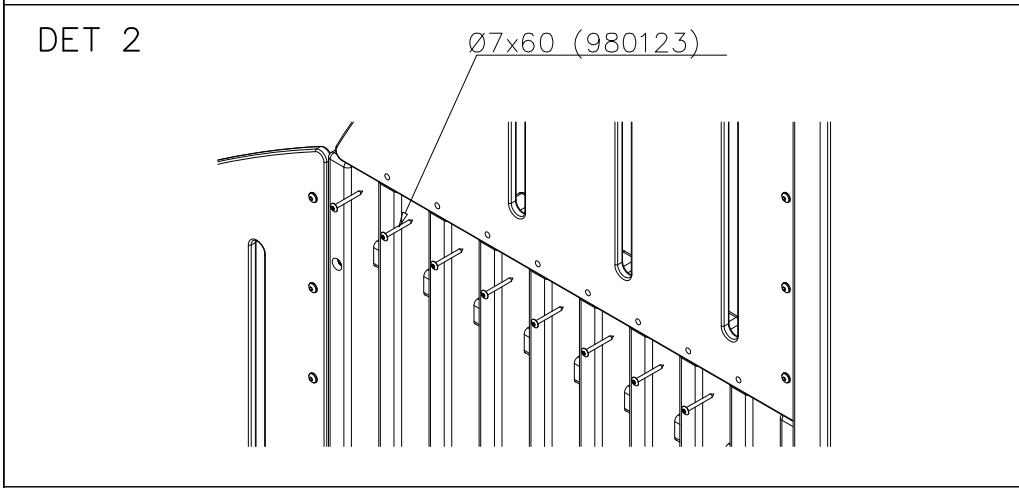





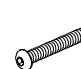





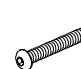





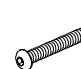
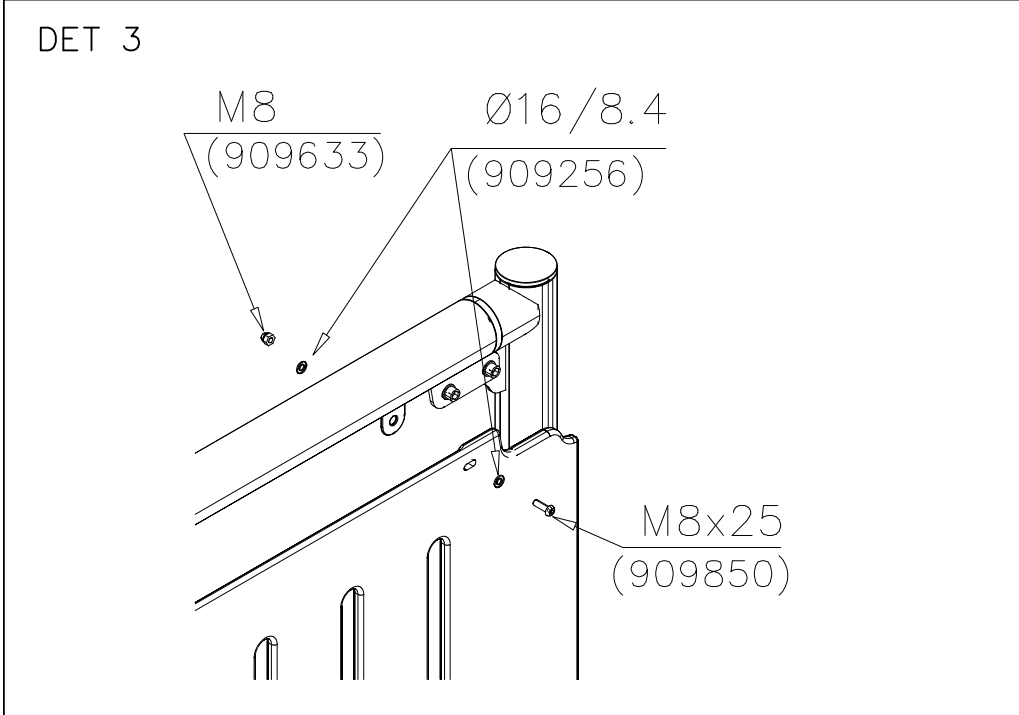
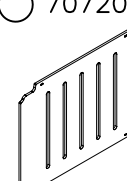
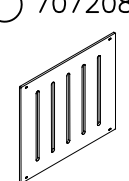

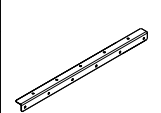
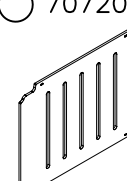
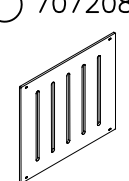

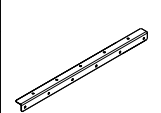
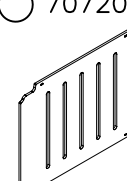
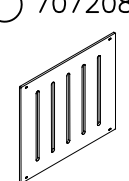

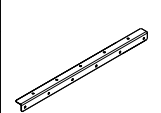
DET 13 Foundation is Option

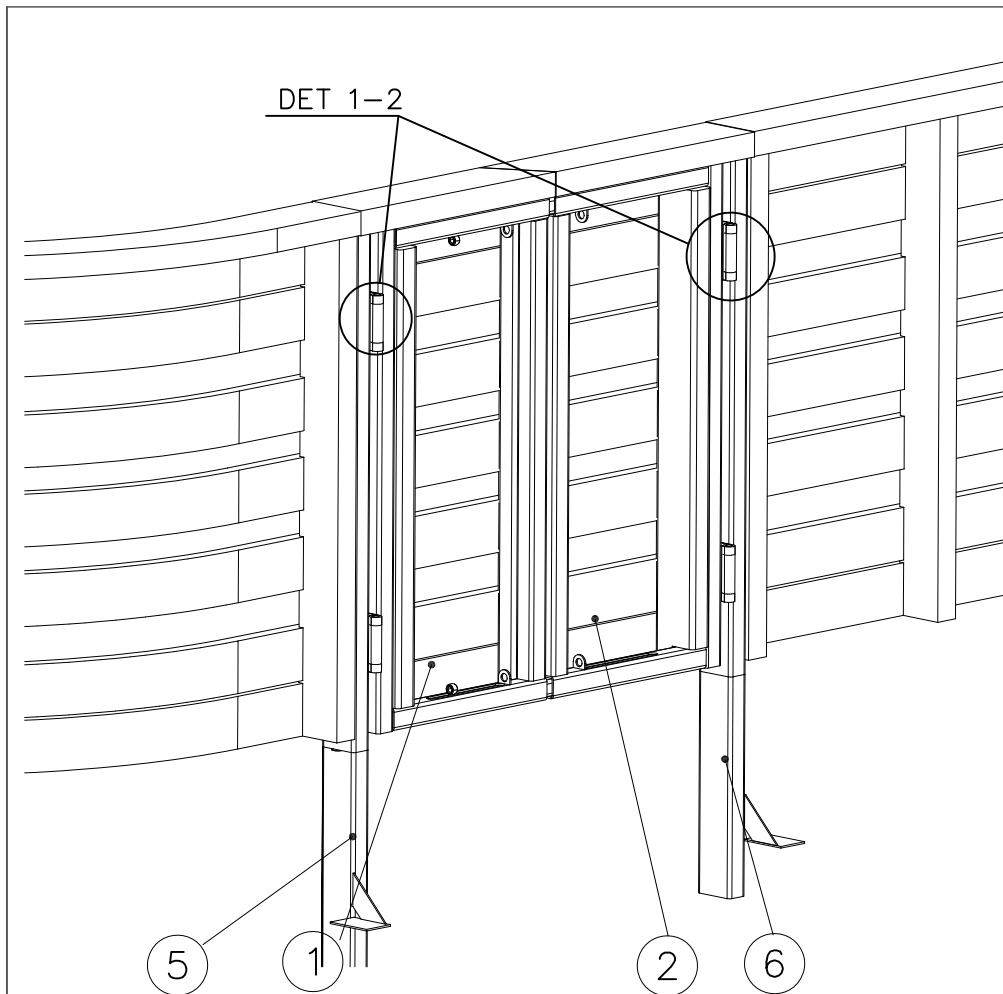


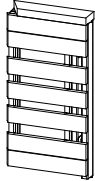
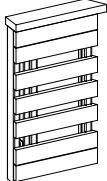





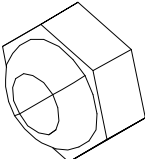


DET 14 Foundation is Option

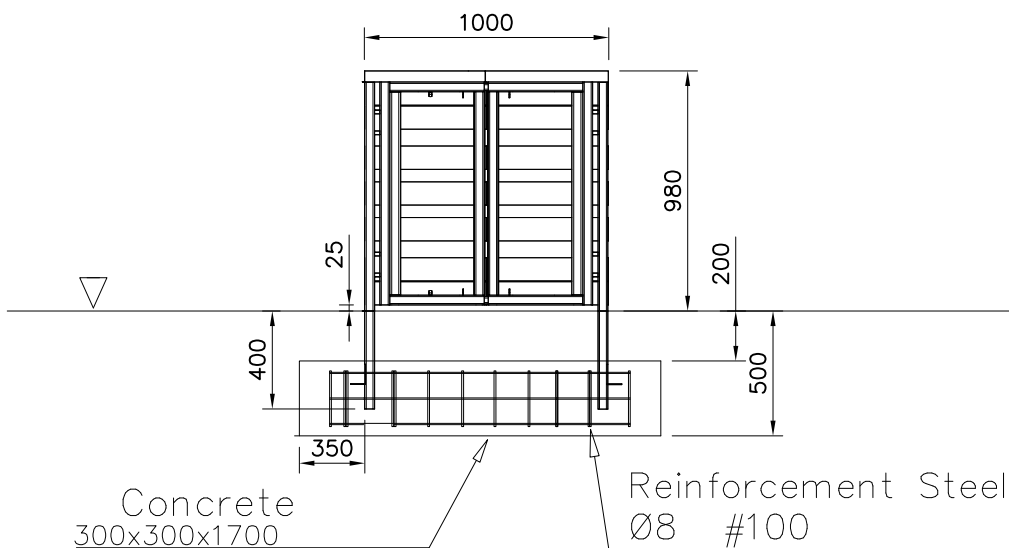




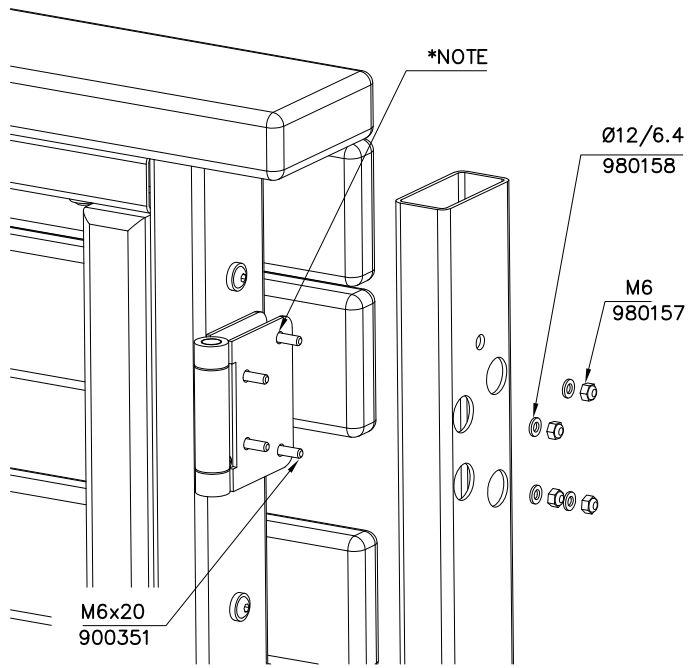
<p>DET 1</p> 	<table border="1"> <tr> <td>① 909850</td> <td>PCS</td> <td>② 909633</td> <td>PCS</td> </tr> <tr> <td></td> <td>12</td> <td></td> <td>12</td> </tr> <tr> <td>M8x25</td> <td></td> <td>M8</td> <td></td> </tr> </table>	① 909850	PCS	② 909633	PCS		12		12	M8x25		M8																													
① 909850	PCS	② 909633	PCS																																						
	12		12																																						
M8x25		M8																																							
<p>DET 2</p> 	<table border="1"> <tr> <td>③ 909256</td> <td>PCS</td> <td>④ 980123</td> <td>PCS</td> </tr> <tr> <td></td> <td>24</td> <td></td> <td>32</td> </tr> <tr> <td>Ø16/8.4x1.6</td> <td></td> <td>Ø7x60</td> <td></td> </tr> <tr> <td>⑤ 980128</td> <td>PCS</td> <td>⑥ 980160</td> <td>PCS</td> </tr> <tr> <td></td> <td>20</td> <td></td> <td>24</td> </tr> <tr> <td>Ø7x40</td> <td></td> <td>M8</td> <td></td> </tr> <tr> <td>⑦ 980152</td> <td>PCS</td> <td>⑧ 909852</td> <td>PCS</td> </tr> <tr> <td></td> <td>24</td> <td></td> <td>24</td> </tr> <tr> <td>Ø24/8.4x2</td> <td></td> <td>M8x30</td> <td></td> </tr> <tr> <td></td> <td>PCS</td> <td></td> <td>PCS</td> </tr> </table>	③ 909256	PCS	④ 980123	PCS		24		32	Ø16/8.4x1.6		Ø7x60		⑤ 980128	PCS	⑥ 980160	PCS		20		24	Ø7x40		M8		⑦ 980152	PCS	⑧ 909852	PCS		24		24	Ø24/8.4x2		M8x30			PCS		PCS
③ 909256	PCS	④ 980123	PCS																																						
	24		32																																						
Ø16/8.4x1.6		Ø7x60																																							
⑤ 980128	PCS	⑥ 980160	PCS																																						
	20		24																																						
Ø7x40		M8																																							
⑦ 980152	PCS	⑧ 909852	PCS																																						
	24		24																																						
Ø24/8.4x2		M8x30																																							
	PCS		PCS																																						
<p>DET 3</p> 	<table border="1"> <tr> <td colspan="4">NOT INCLUDED</td> </tr> <tr> <td>○ 707204</td> <td>PCS</td> <td>○ 707208</td> <td>PCS</td> </tr> <tr> <td></td> <td>2</td> <td></td> <td>1</td> </tr> <tr> <td>15x814x992</td> <td></td> <td>15x814x925</td> <td></td> </tr> <tr> <td>○ 704250</td> <td>PCS</td> <td>○ 904900</td> <td>PCS</td> </tr> <tr> <td></td> <td>4</td> <td></td> <td>4</td> </tr> <tr> <td>990x980x15</td> <td></td> <td>45x45x3x875</td> <td></td> </tr> </table>	NOT INCLUDED				○ 707204	PCS	○ 707208	PCS		2		1	15x814x992		15x814x925		○ 704250	PCS	○ 904900	PCS		4		4	990x980x15		45x45x3x875													
NOT INCLUDED																																									
○ 707204	PCS	○ 707208	PCS																																						
	2		1																																						
15x814x992		15x814x925																																							
○ 704250	PCS	○ 904900	PCS																																						
	4		4																																						
990x980x15		45x45x3x875																																							



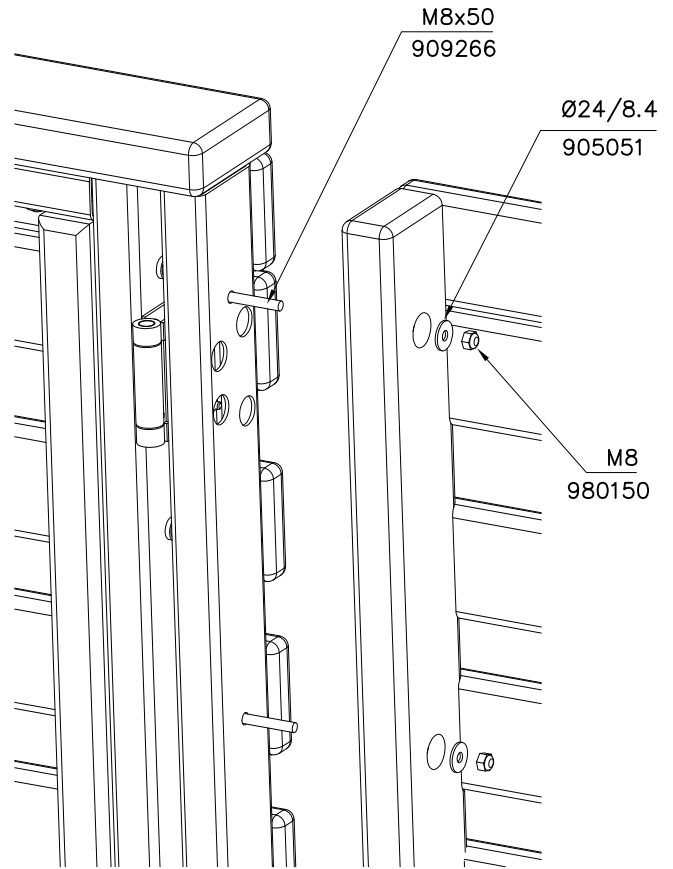
① 708549	PCS 1	② 708744	PCS 1
			
③ 905051	PCS 12	④ 909266	PCS 6
			
Ø24/8.4		M8x50	
⑤ 909829	PCS 1	⑥ 909883	PCS 1
			
⑦ 980150	PCS 6	⑧ 980157	PCS 16
			
M8		M6	
⑨ 980158	PCS 32	⑩ 900351	PCS 16
			
Ø12/6.4		M6x20	



DET 1

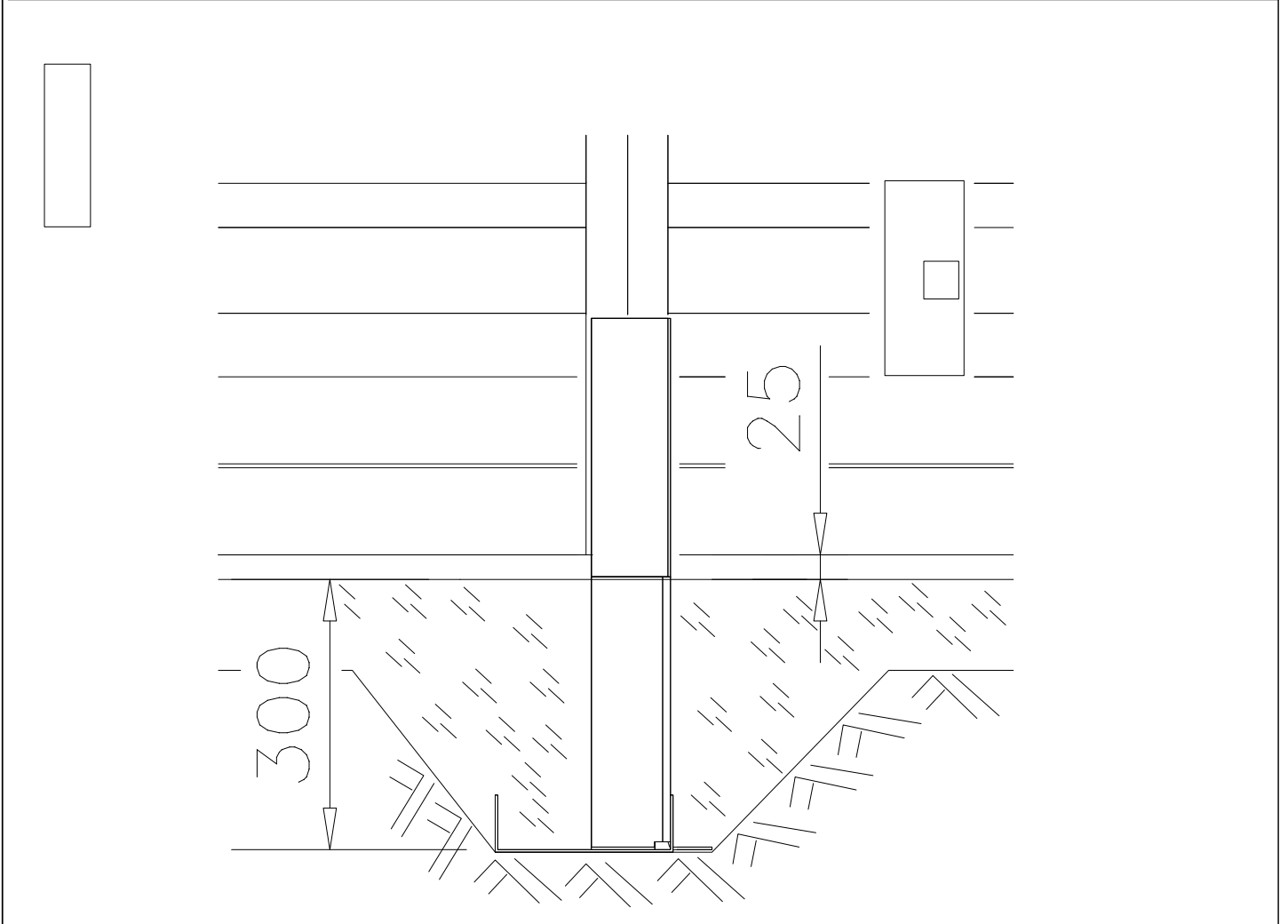
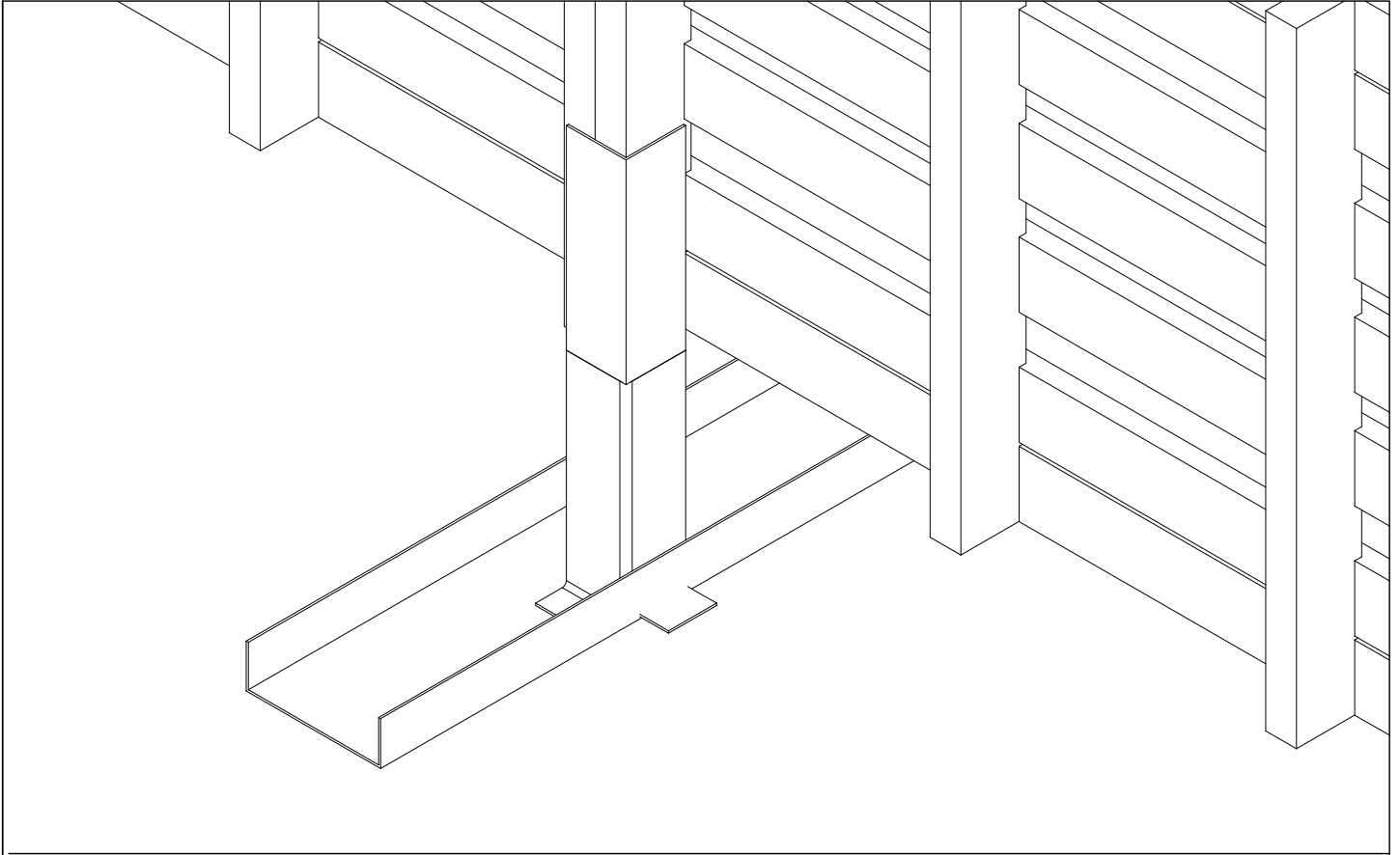


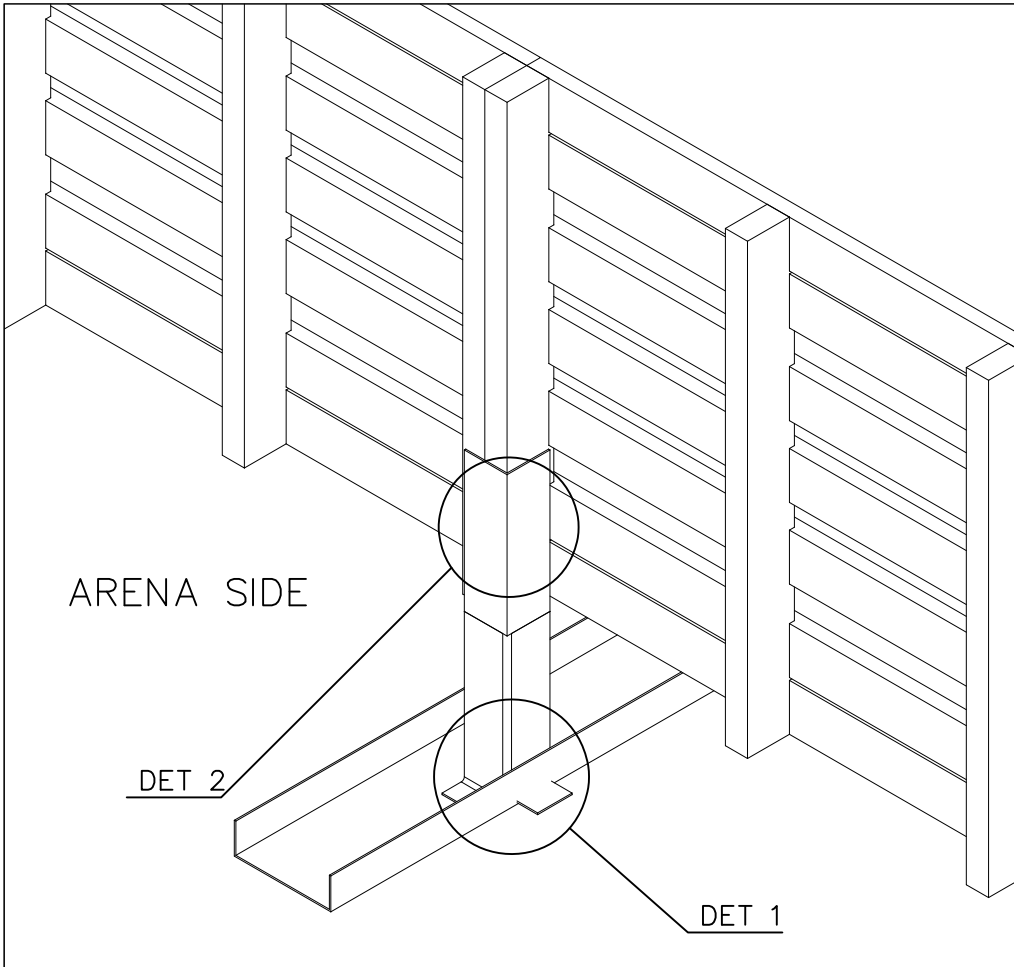
DET 2


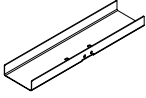
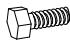


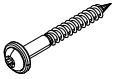


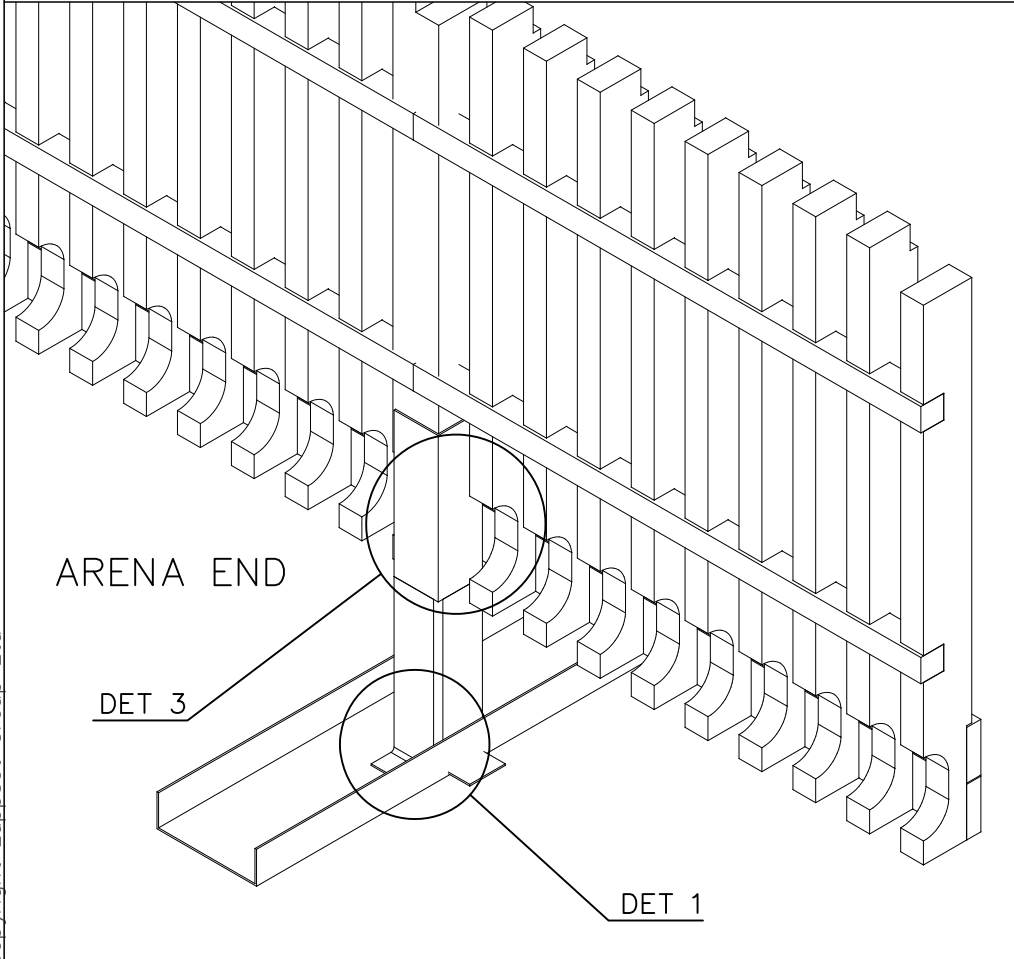
\*Note

Washer (980158) between the hinge and bolt  
Aluslevy (980158) saranan ja pultin väliin

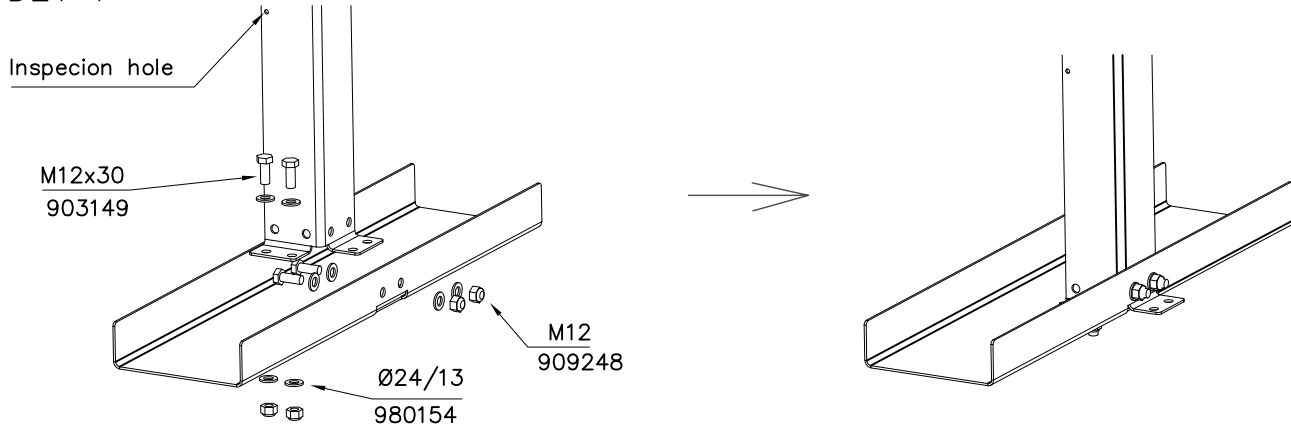




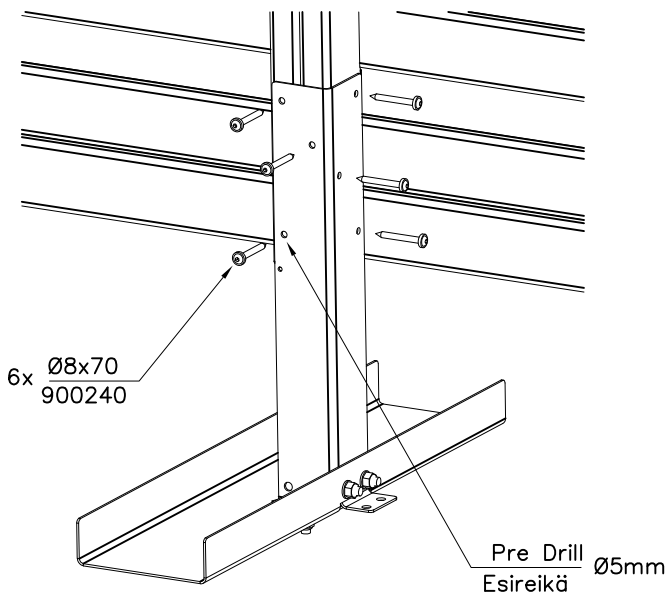
① 902433	PCS	② 902299	PCS
	1		1
③ 903149	PCS	④ 909248	PCS
	4		4
M12x30		M12	
⑤ 980154	PCS	⑥ 900240	PCS
	8		6
Ø24/13		Ø8x70	
	PCS		PCS



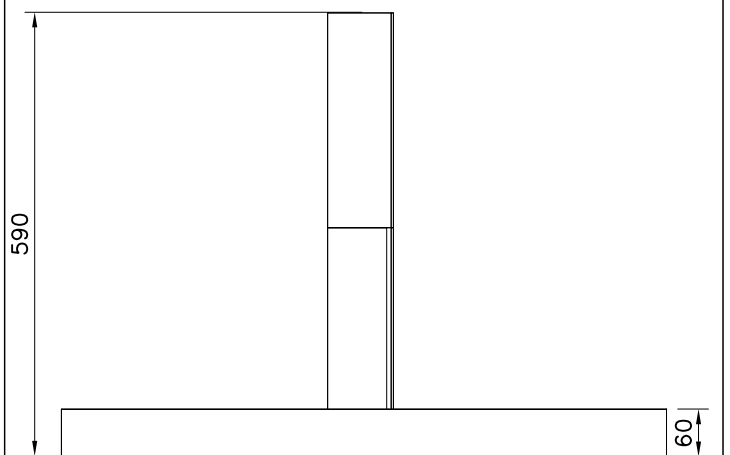
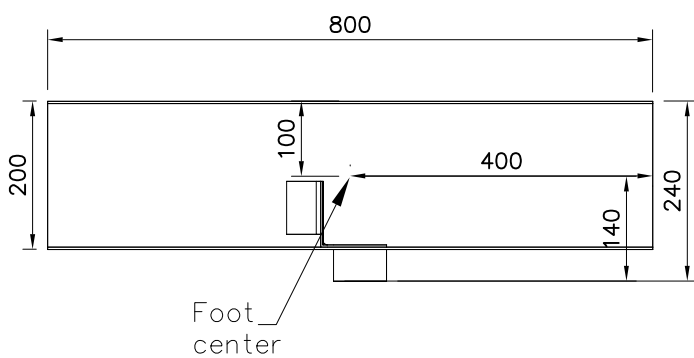
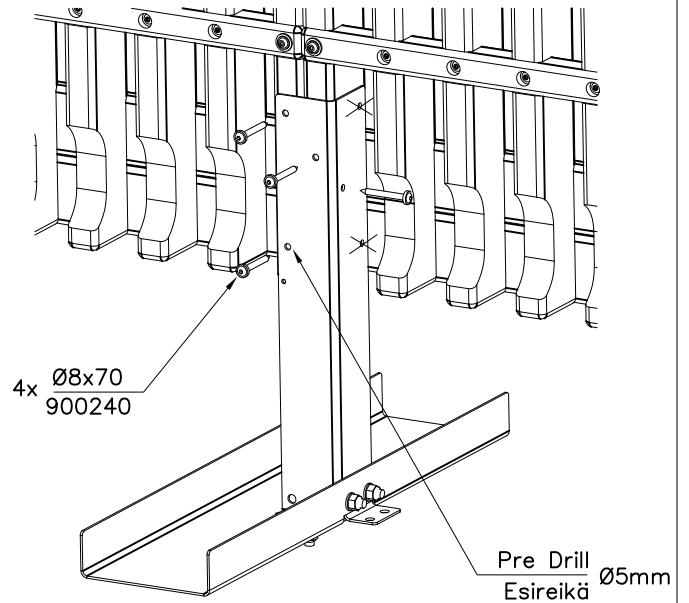
DET 1



DET 2 ARENA SIDE



DET 3 ARENA END







**Tuotekyltti tulee tuotteen mukana yhdellä seuraavista tavoista:**

**1) Metallinen tuotekyltti ja kiinnitysruuvit**

- Kiinnitä tuotekyltti ruuveilla tolppaan noin 2 metrin korkeuteen kuvan 1 mukaisesti.

**2) Tuotekylttitarra**

- Puhdista maalattu metalli- tai vaneripinta pölystä ja kosteudesta. Liimaa tarra kuvan 2 mukaisesti.
- Huom. Älä kiinnitä tarraa karheapintaiseen laminaattiin tai maalattuun puuhun.

**Vår produktmärkning levereras på ett av följande sätt:**

**1) Produktskylt i metall**

- Fäst skylten med de medföljande skruvarna

**2) Självhäftande produktetikett**

- Rengör den pulverlackerade metallytan eller laminatyten så att den blir fri från smuts och fukt. Fäst etiketten enligt fig. 2.
- Obs! Fäst ej etiketten på detaljer med skrovlig yta eller på målat trä.

**Product label is delivered by one of following ways:**

**1) Metal product label and screws**

- Fasten the label with screws.

**2) Label sticker**

- Clean the painted metal or plywood surface from dirt and moisture. Fasten the sticker as shown in the figure 2.
- Note. Do not attach the sticker to rough surfaced laminate or painted wood.

**La plaque d'informations produit est livrée sous l'une de ces 3 formes :**

**1) Plaque métallique et vis**

- Fixez la plaque à l'aide des vis.

**2) Etiquette autocollante**

- Avant de coller l'étiquette, nettoyez le composant métallique peint ou la plaque de contreplaqué, de toute saleté. La surface doit être sèche (voir image 2).
- Attention, ne pas coller l'étiquette sur une surface lamellé-collée irrégulière ou sur du bois peint.

**Die Auslieferung des Produktaufklebers erfolgt auf eine dieser Arten:**

**1) Produkt-Schild aus Metall incl. Schrauben**

- Die Befestigung des Schildes erfolgt mittels der Schrauben.

**2) Aufkleber**

- Entfernen Sie zunächst Schmutz und Feuchtigkeit vom lackierten Metall bzw. von der Holzoberfläche und bringen Sie den Aufkleber wie im Bild oben rechts beschrieben auf den gesäuberten Untergrund auf.
- Beachten Sie: Bringen Sie den Aufkleber nicht auf raues laminiertes oder lackiertes Holz an.