

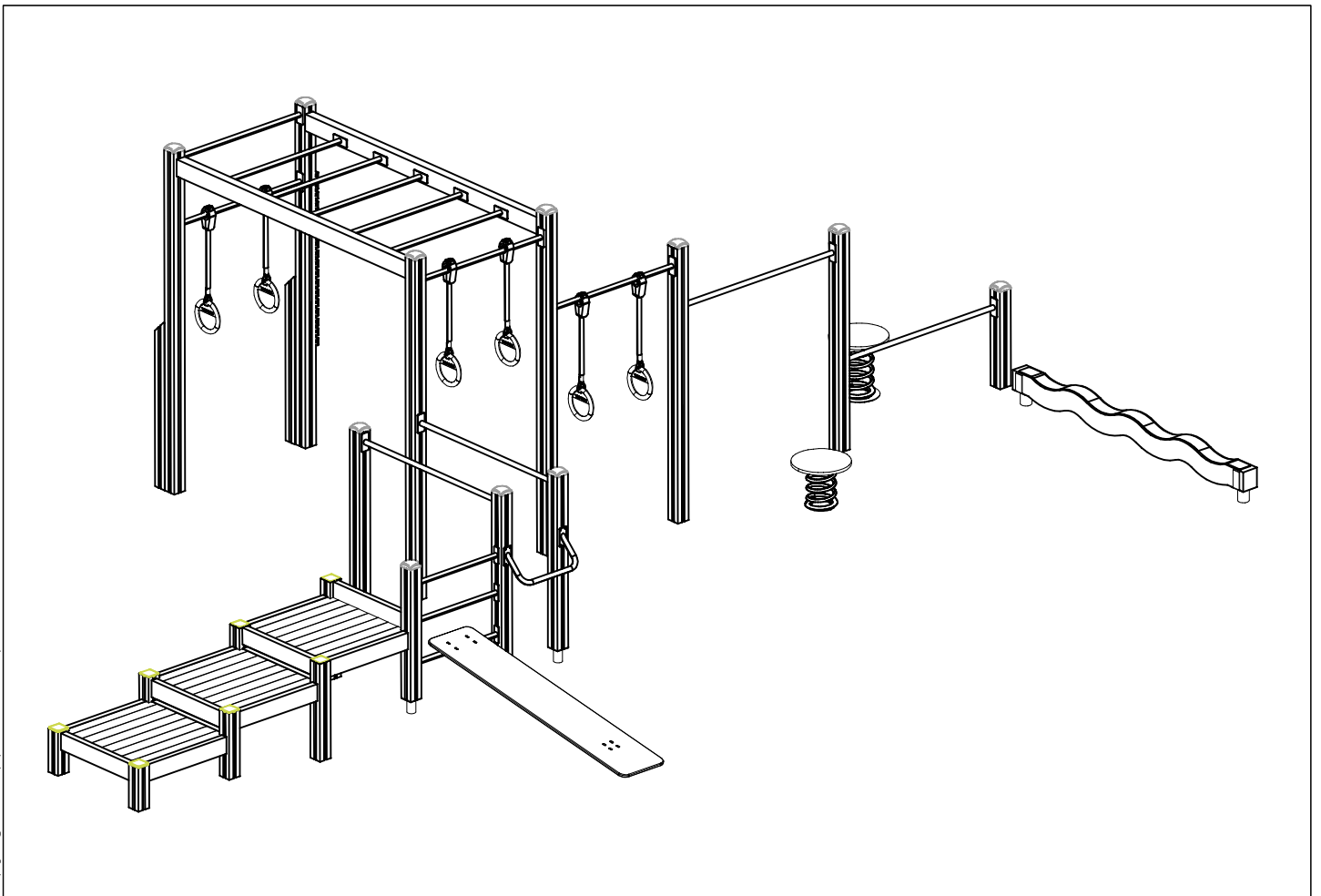
# LAPPSET®

## FINNO

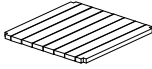

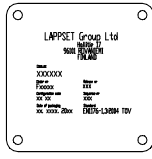
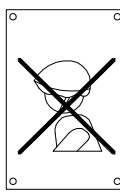


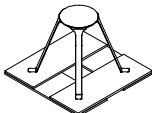

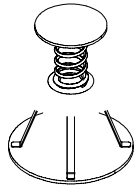


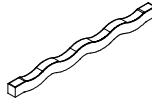
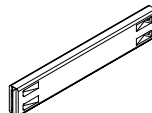
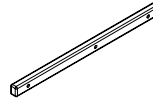

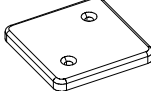

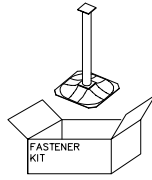
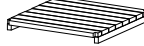
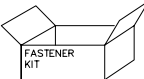




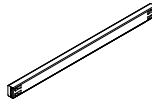
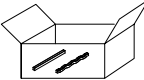
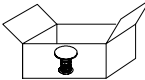
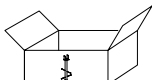
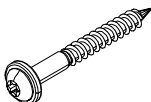
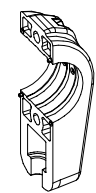
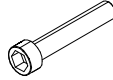
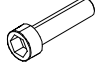
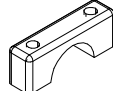

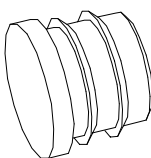
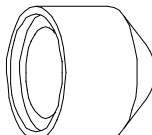
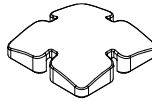
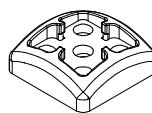
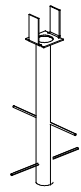
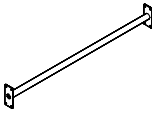
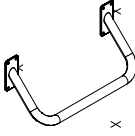
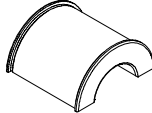
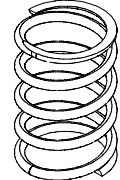

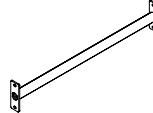
A SENNUSOHJE  
MONTERINGSANSVISNING  
INSTALLATION INSTRUCTION  
AUFBAUANLEITUNG  
NOTICE D'INSTALLATION

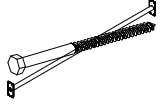
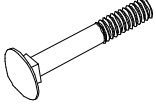
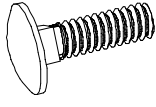

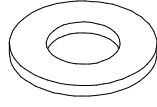
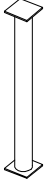
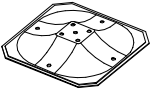
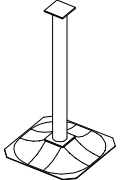
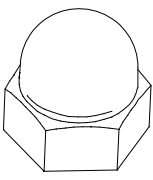
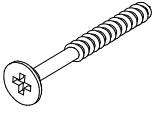
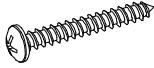
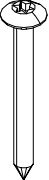

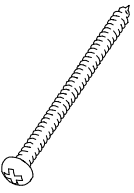
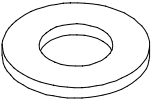


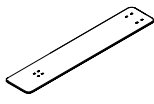
DATE: 23.12.2022

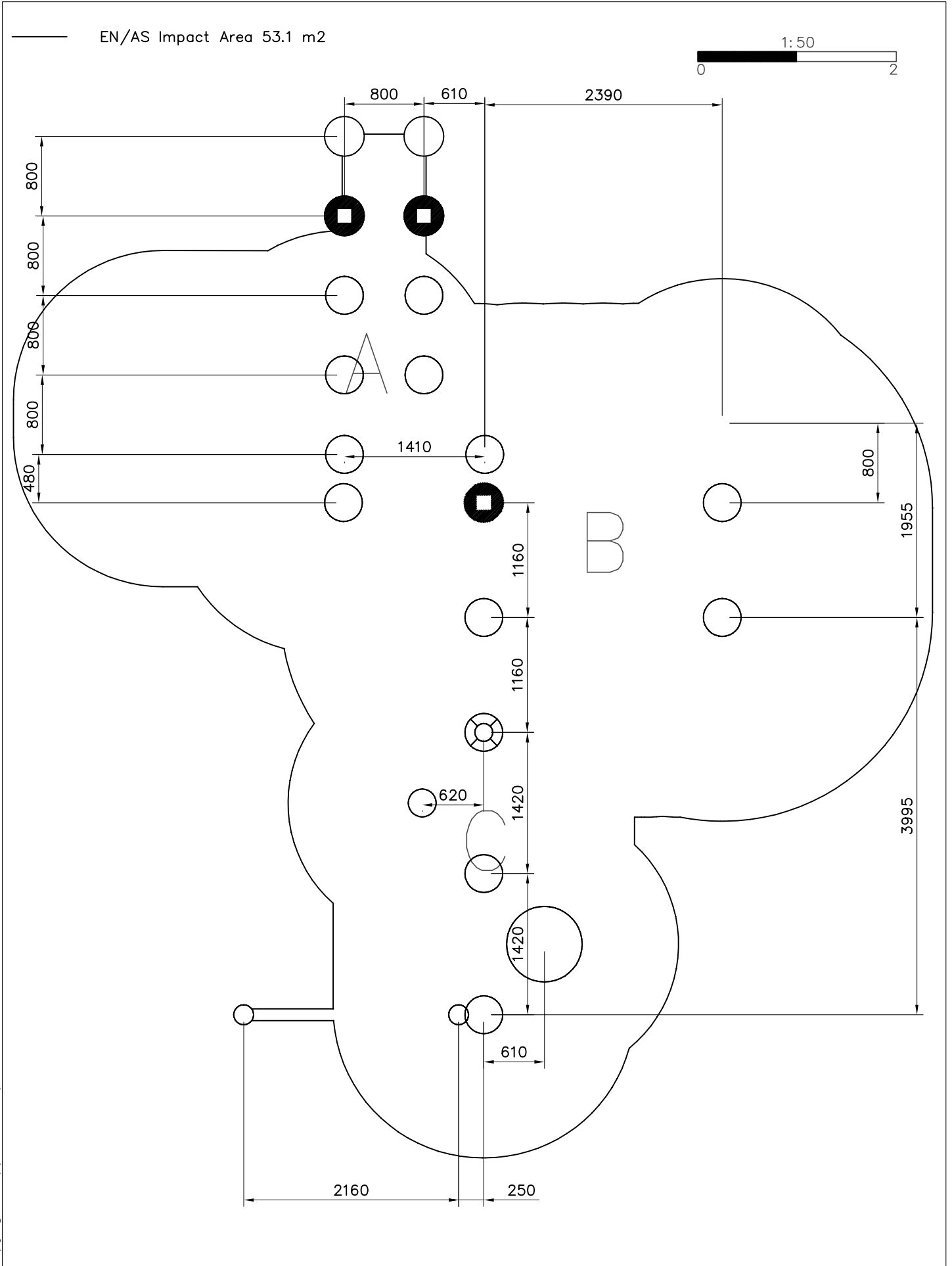
### Q16490

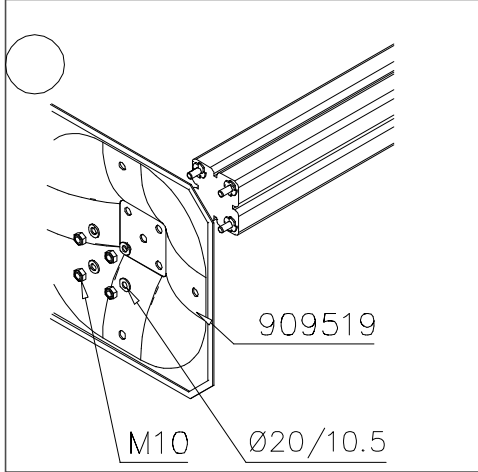
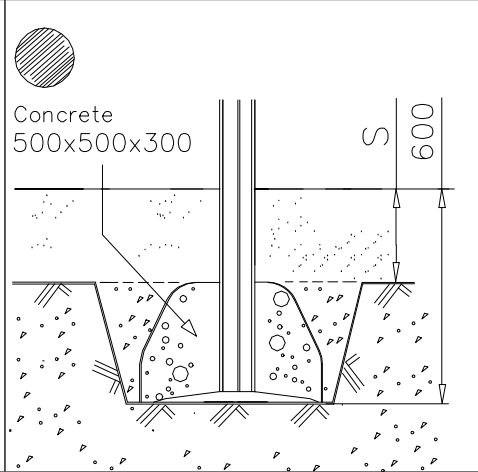
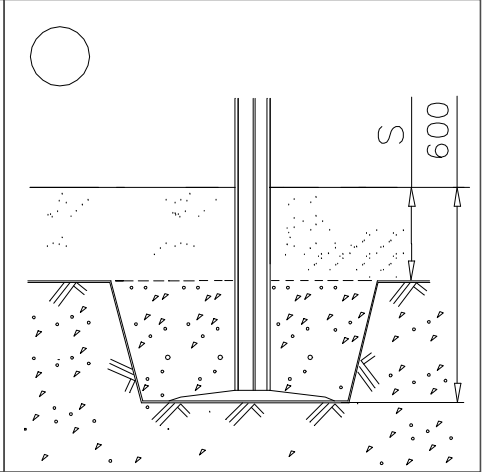


DATE: 27.6.2022

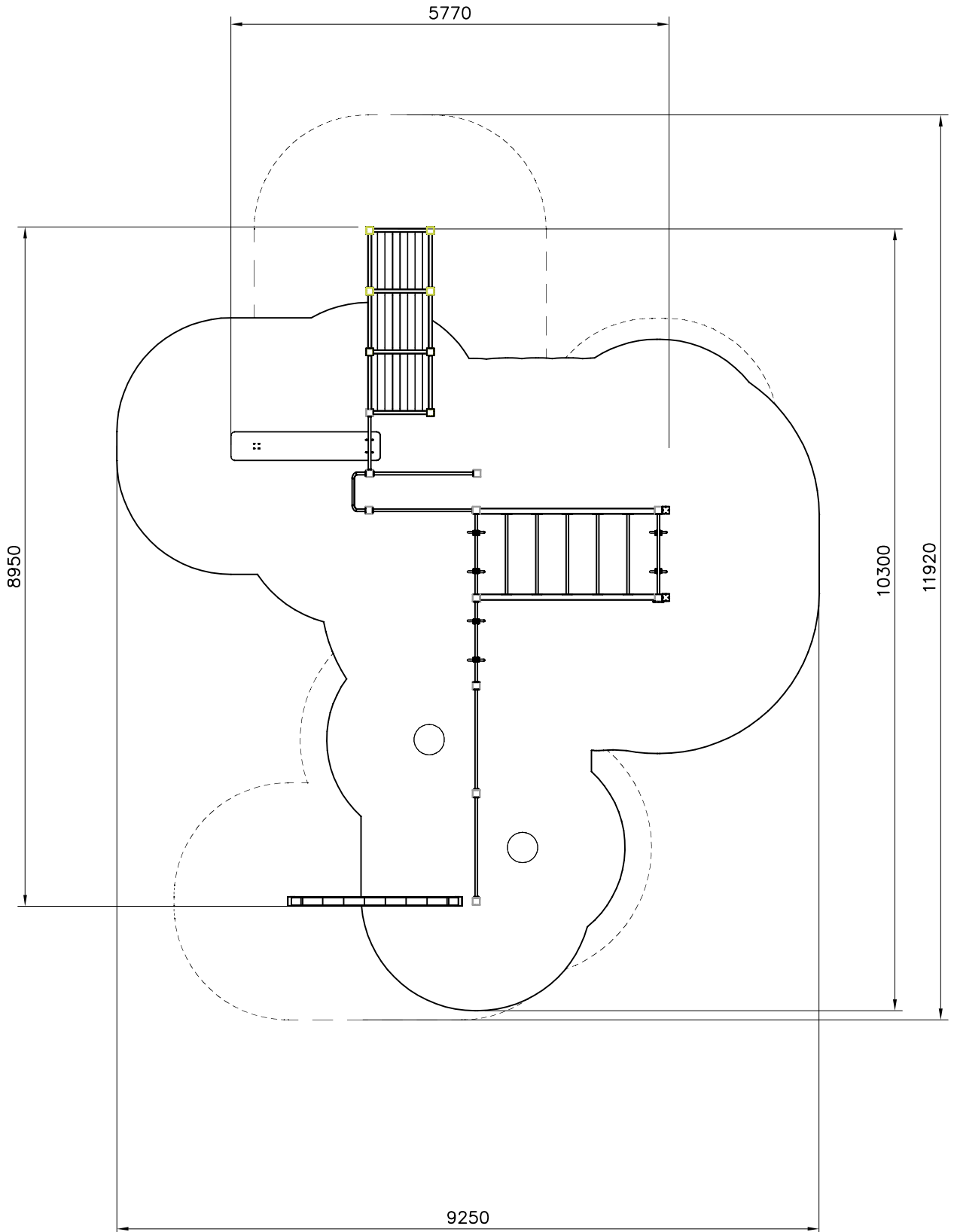
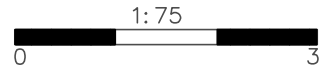
008986  750x750	PCS 3	701401-602  93x93x1250	PCS 7	702286  65x65	PCS 1	702339  118x78	PCS 1	703328-602  L 1800	PCS 2	705040  Ø16x764	PCS 6
705101  	PCS 1	705423  	PCS 1	705432-704  19xØ400	PCS 1	705590-602  120x200x2294	PCS 1	706439-602  L 704	PCS 12	706443  32x45x702	PCS 6
706466-602  L 1025	PCS 2	706481-703  83x83x10	PCS 7	706499-602  93x93x860	PCS 2	706531  FASTENER KIT	PCS 4	706535   FASTENER KIT	PCS 3	706568-602  93x93x3000	PCS 4
706598-602  93x93x2120	PCS 1	706669-602  93x93x2400	PCS 1	706894-602  L 950	PCS 1	707294-602  70x120x2304	PCS 2	707785 	PCS 1	707886 	PCS 1
707900  FASTENER KIT	PCS 2	900240  Ø8x70	PCS 12	902195  150x50x50	PCS 12	902232  M10x55	PCS 6	902233  M10x30	PCS 6	902454 	PCS 2
903093  Ø8x90	PCS 60	905066  S30H	PCS 6	905104  GRAY	PCS 8	905138  GRAY	PCS 11	905196  GRAY	PCS 11	905761  12x12x700	PCS 2
905838-217  L 1060	PCS 9	905934-217  x	PCS 1	906006  Ø64/36,4x59	PCS 12	906316  20x200x300	PCS 1	906632-217 	PCS 1	907694-217  L 704	PCS 3

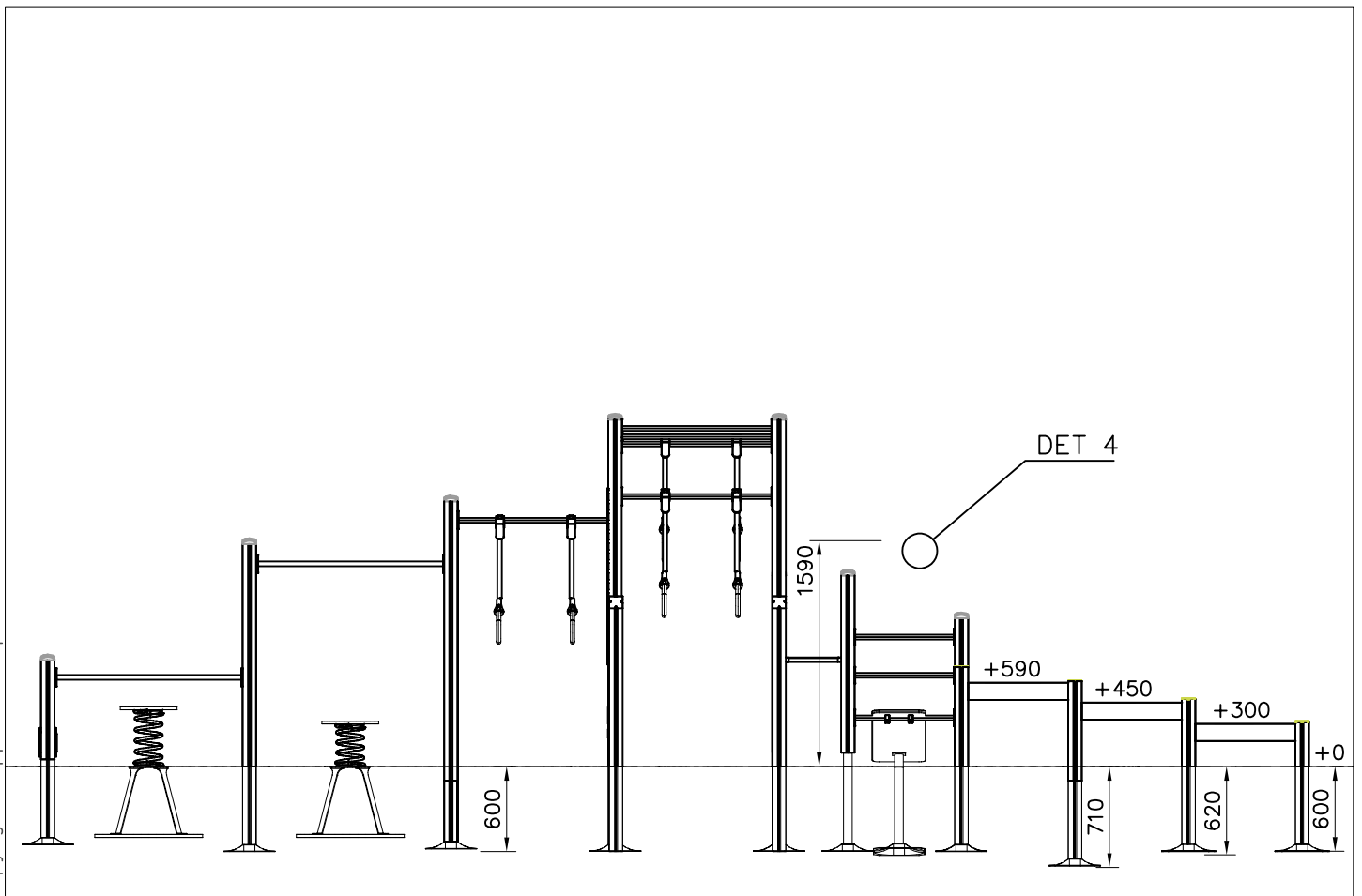
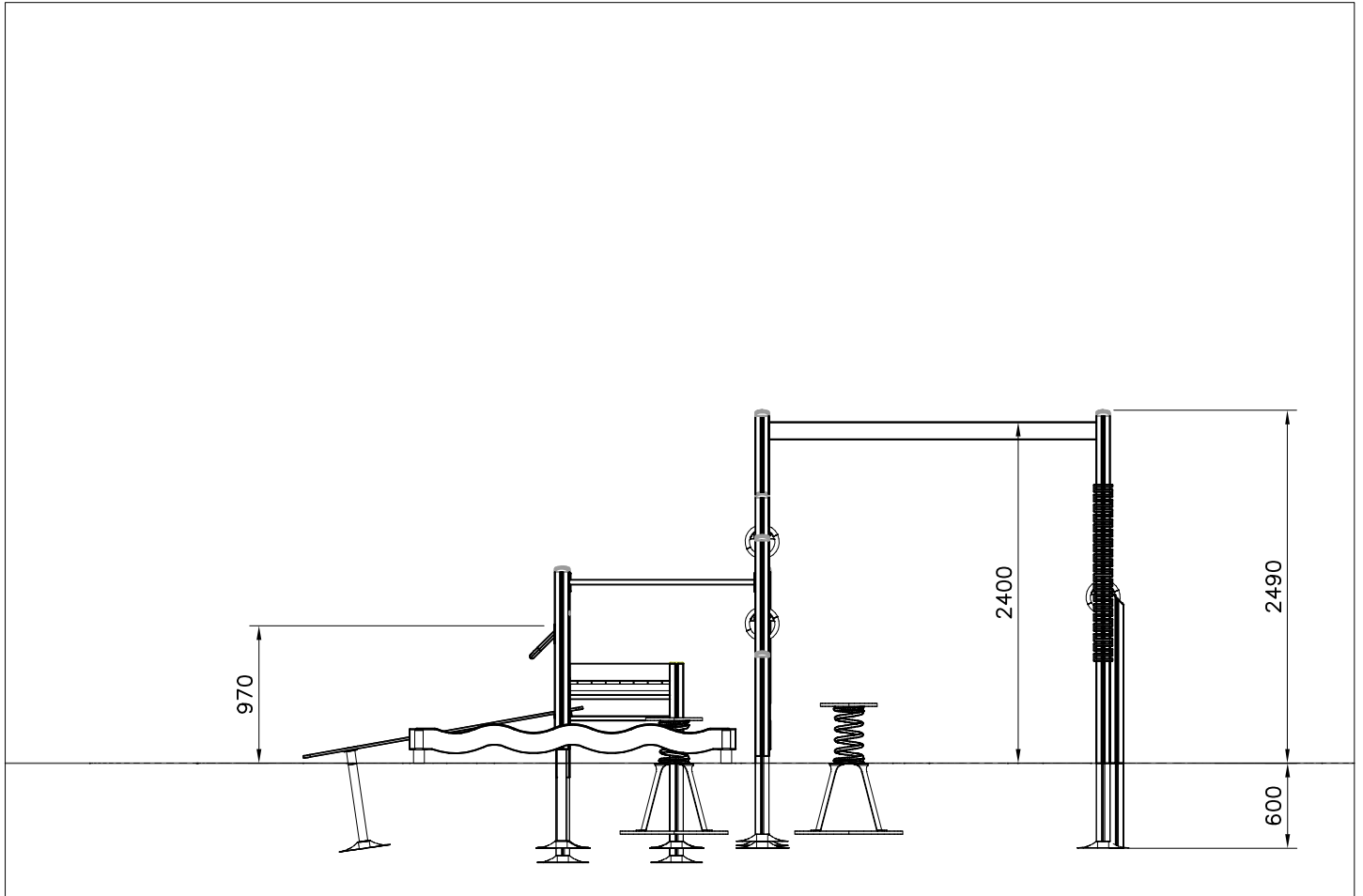
908017-217	PCS 4	909107	PCS 4	909109	PCS 4	909231	PCS 6	909256	PCS 104	909511	PCS 4
											
L 1315		M12x80		M12x40		8x130		Ø16/8.4		90x90x650	
909519	PCS 18	909521	PCS 1	909644	PCS 8	980107	PCS 14	980114	PCS 8	980123	PCS 104
											
50x380x380				M12		Ø6x60		Ø4x20		Ø7x60	
980131	PCS 51	980151	PCS 6	980154	PCS 32	980161	PCS 12	P01987	PCS 1		PCS
											
Ø6x60		Ø16/8,4		Ø24/13		M10		2000x380			
	PCS		PCS		PCS		PCS		PCS		PCS
	PCS		PCS		PCS		PCS		PCS		PCS
	PCS		PCS		PCS		PCS		PCS		PCS
	PCS		PCS		PCS		PCS		PCS		PCS

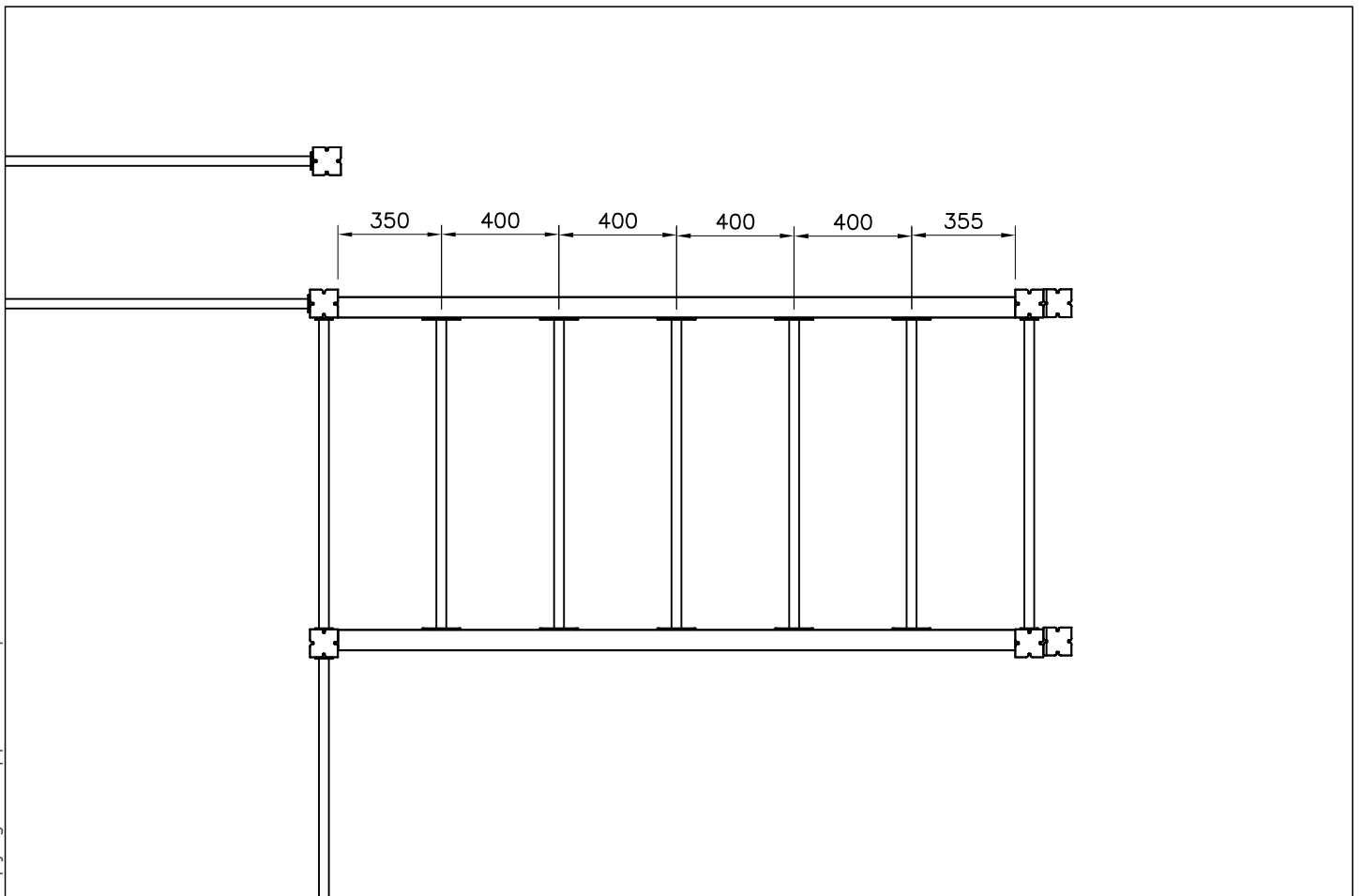
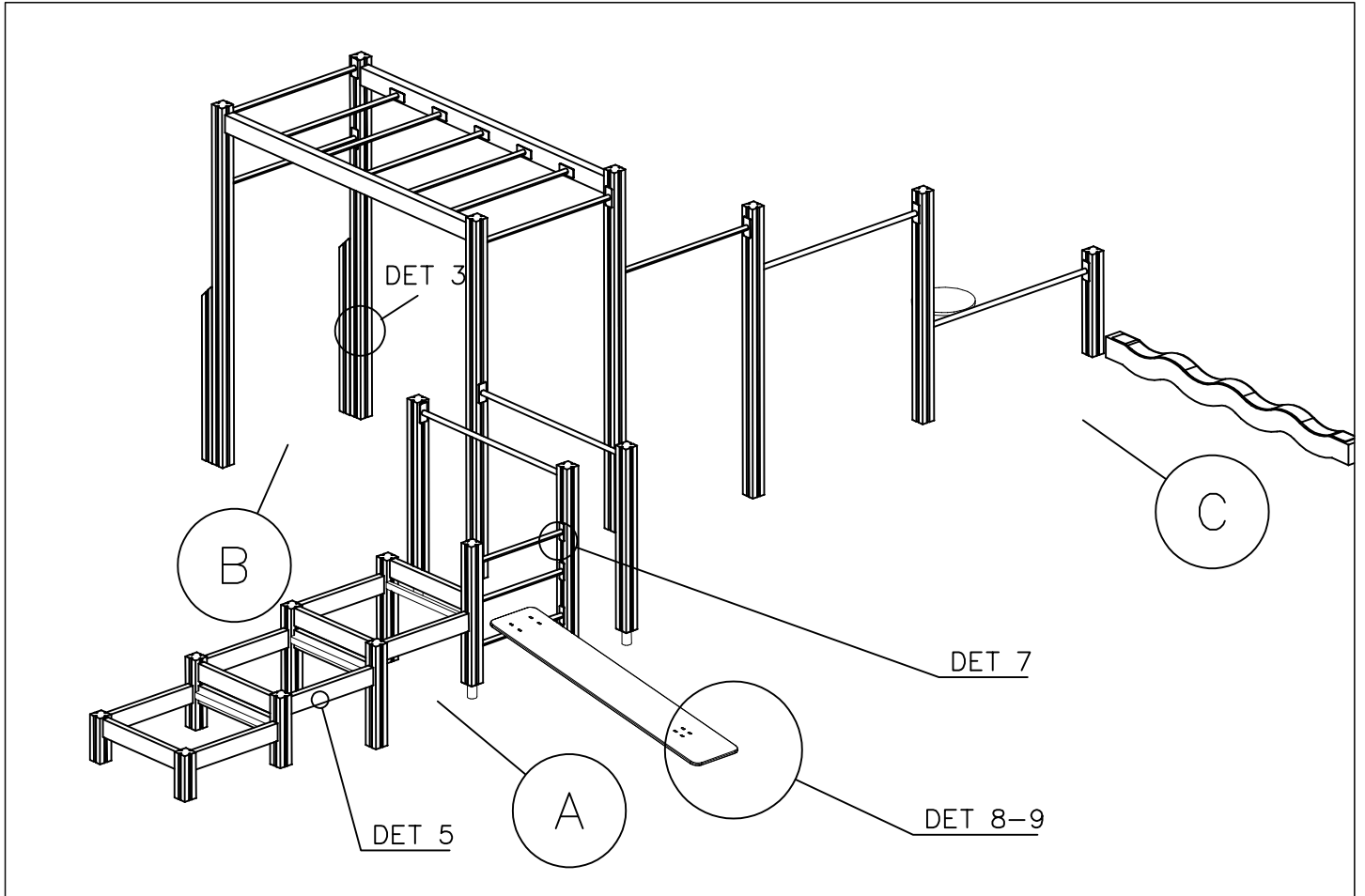


 <p>909519</p> <p>M10 Ø20/10.5</p>	 <p>Concrete 500x500x300</p> <p>600</p>	 <p>600</p>

— EN/AS Impact Area 53.1 m<sup>2</sup>  
- - - Falling Space 71.6 m<sup>2</sup>  
Max Falling Height 1750 mm



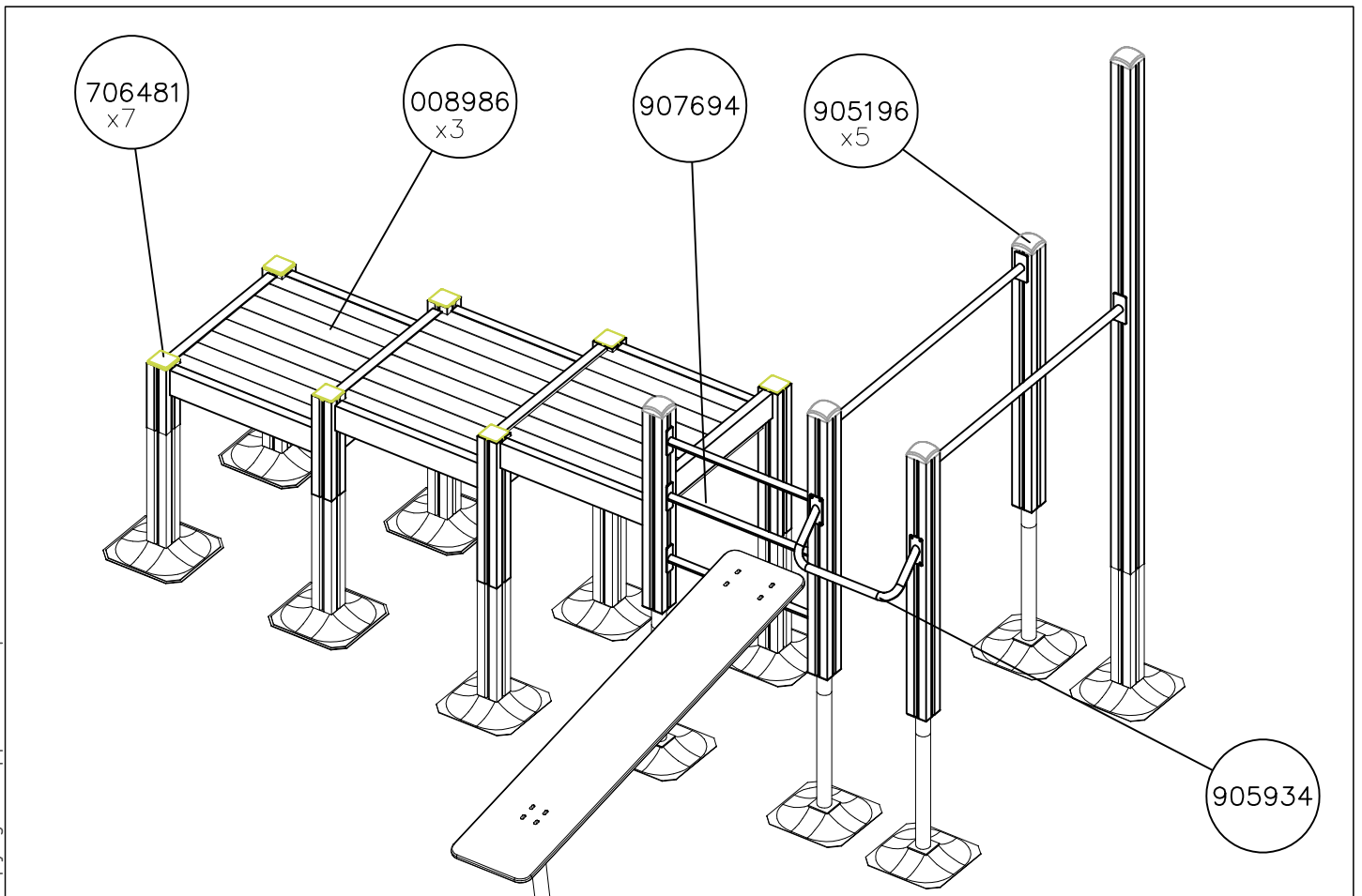
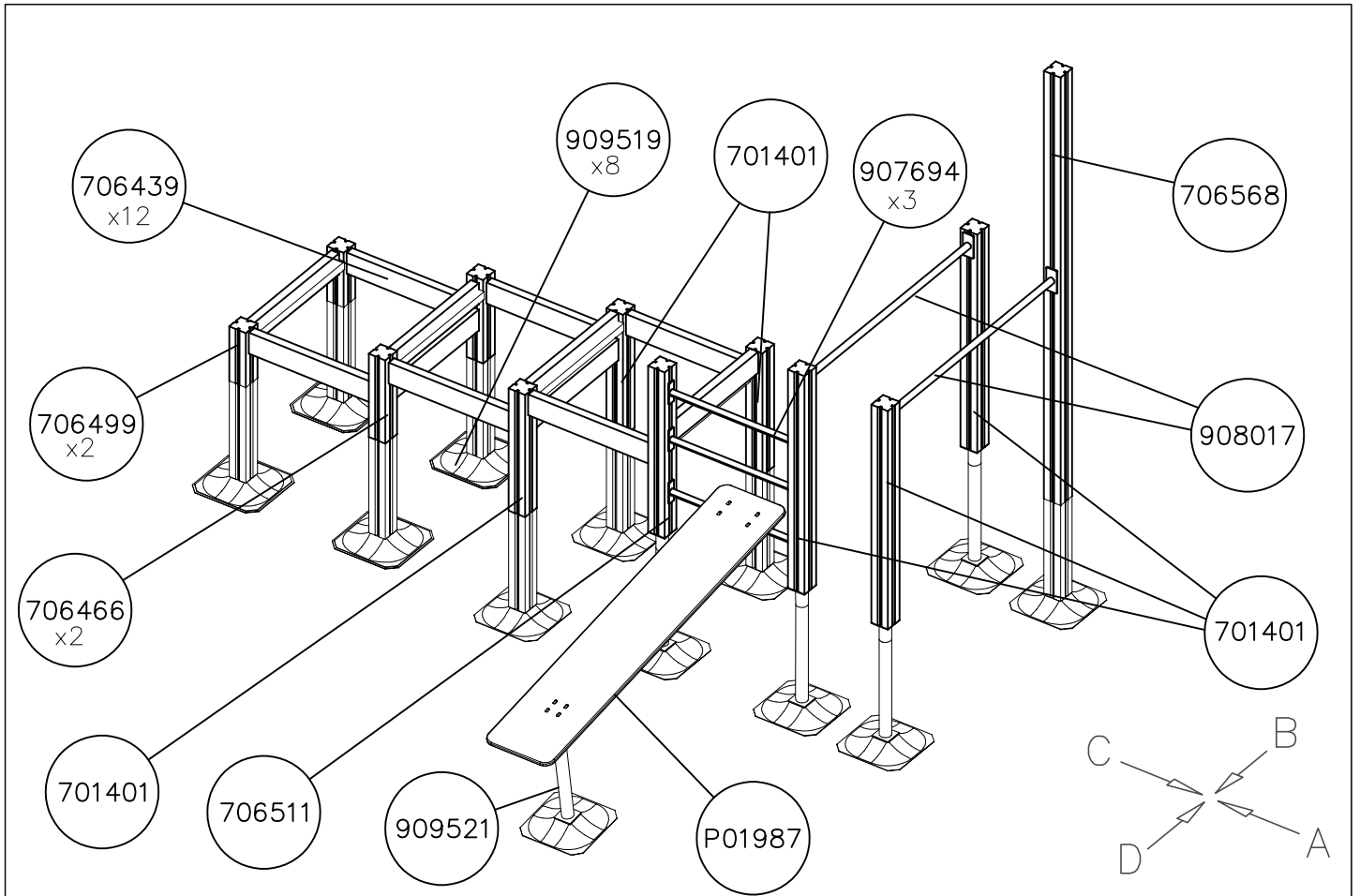






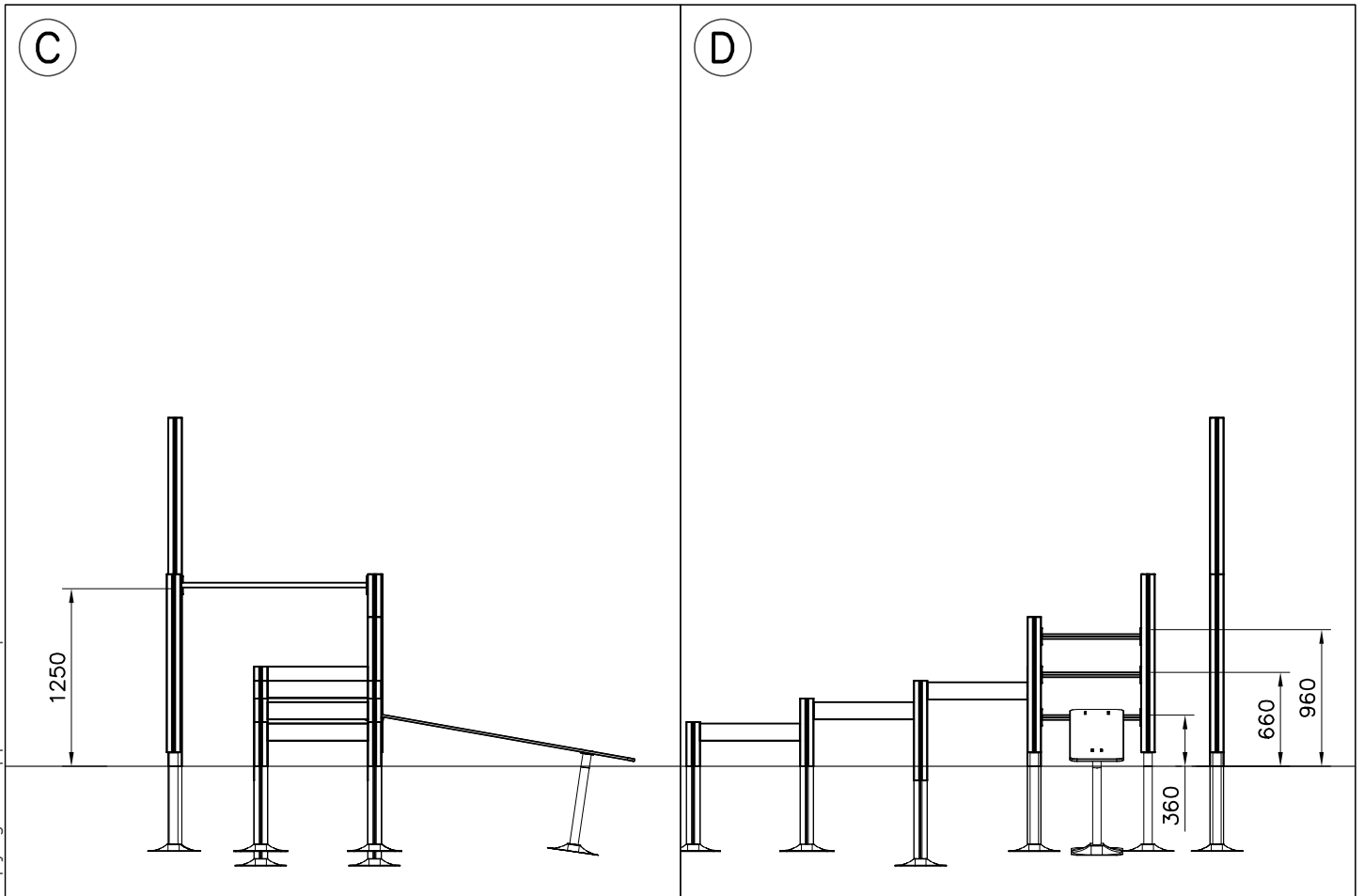
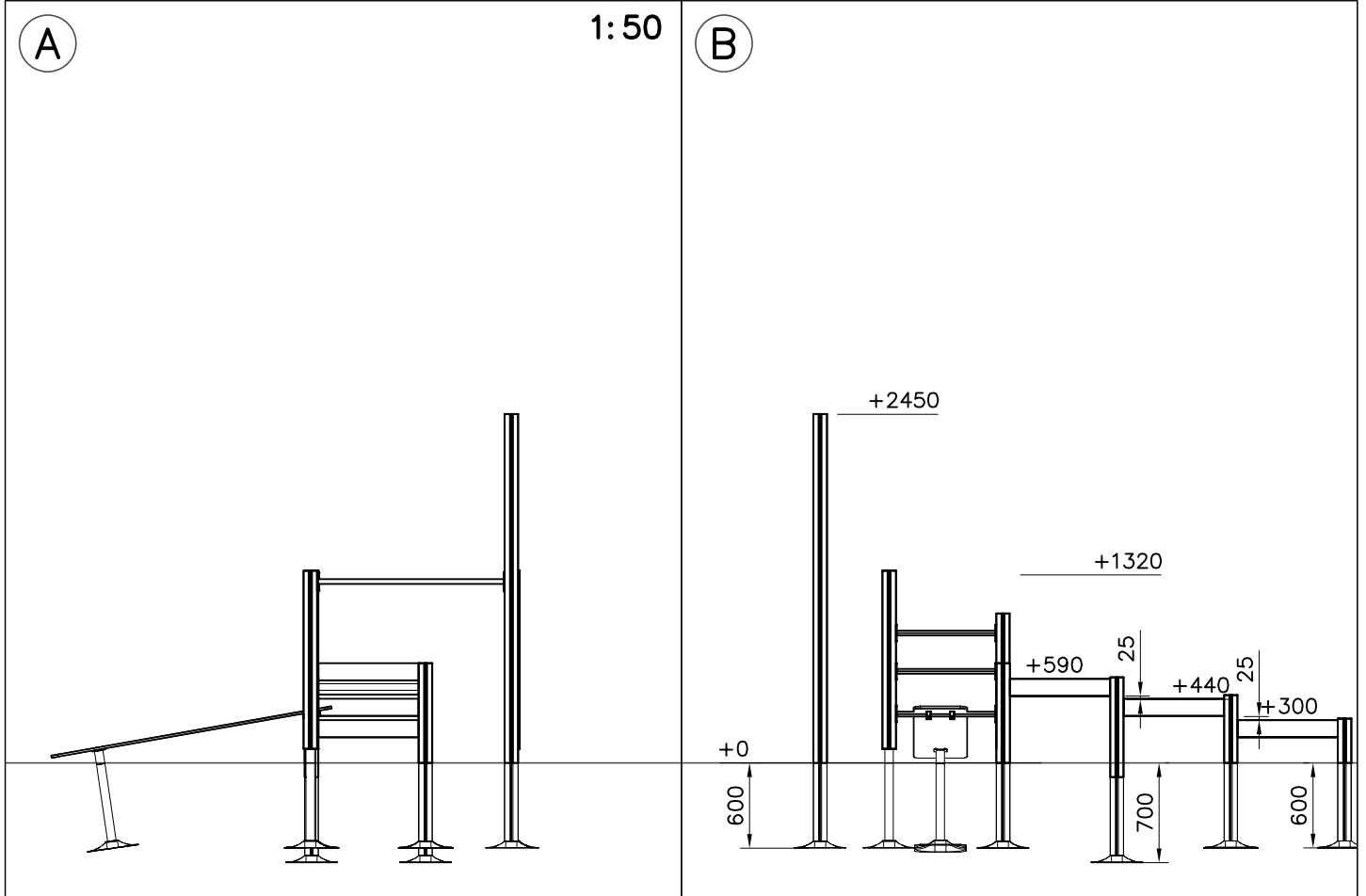
<p>DET 1</p>	<p>DET 2</p>	<p>DET 3</p>	<p>DET 4</p>
<p>DET 5</p>	<p>DET 6</p>	<p>DET 7</p>	<p>DET 8</p>
<p>DET 9</p>	<p>DET 10</p>		

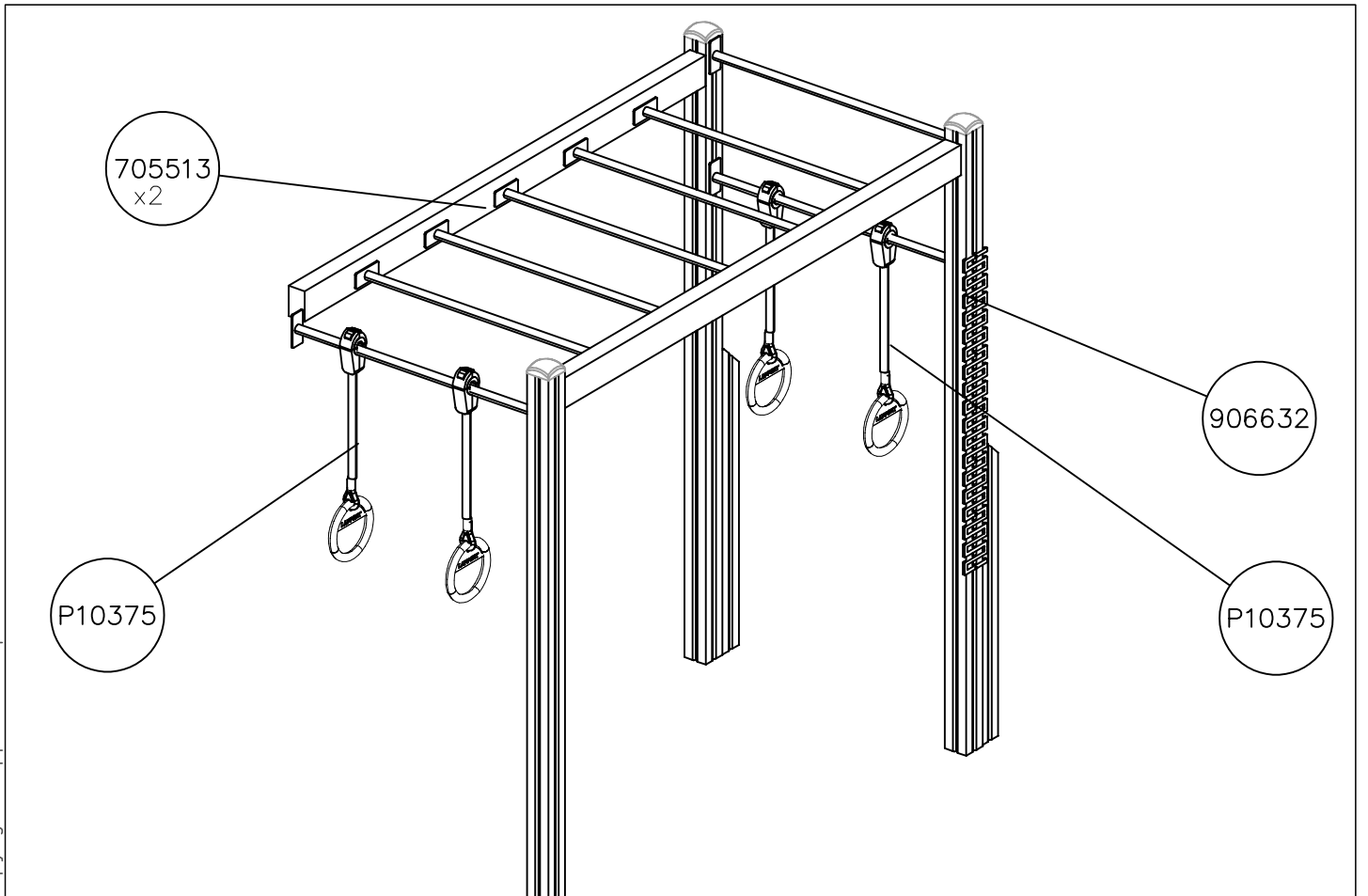
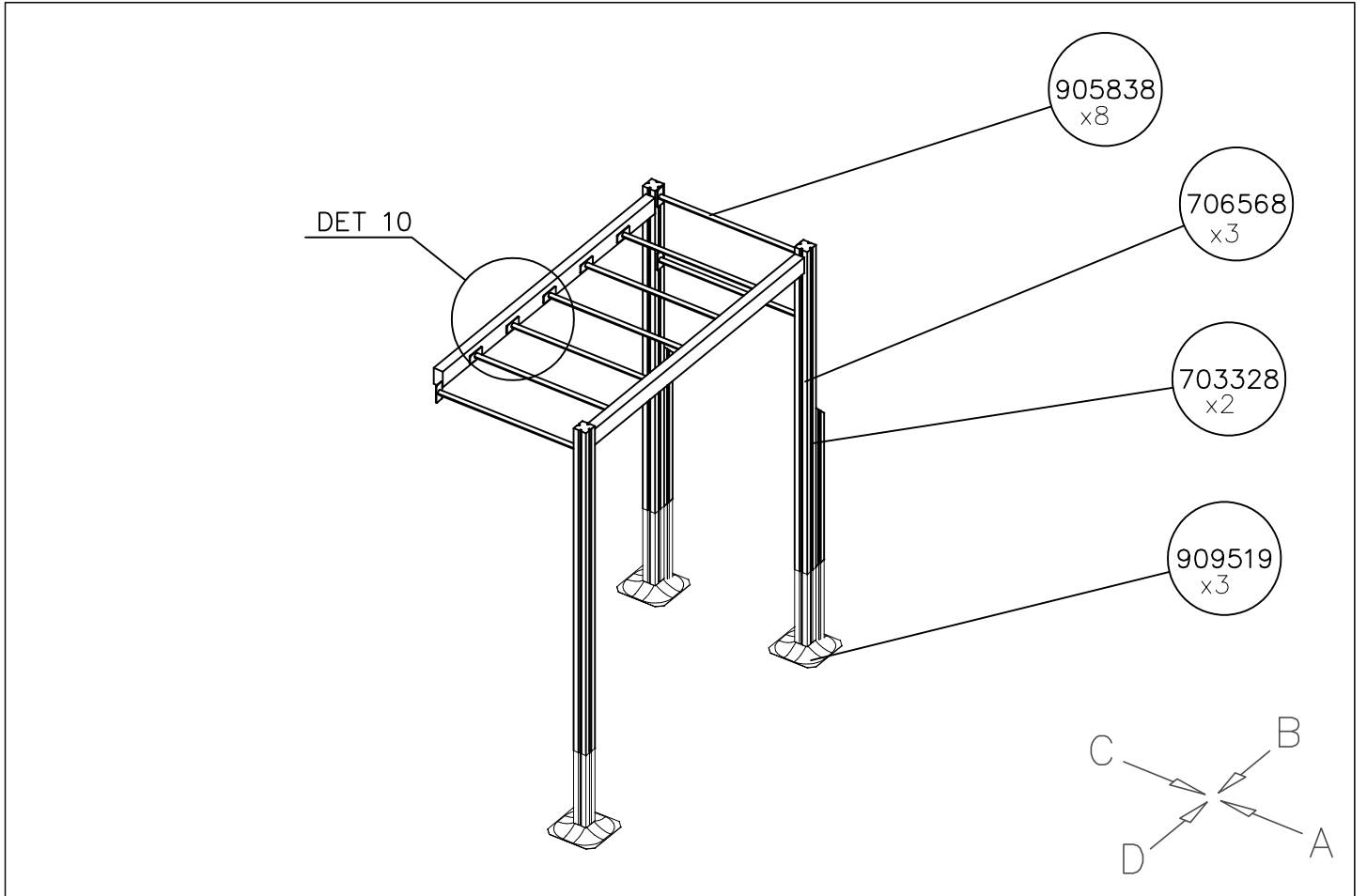
DATE: 23.12.2022



DATE: 23.12.2022

1:50

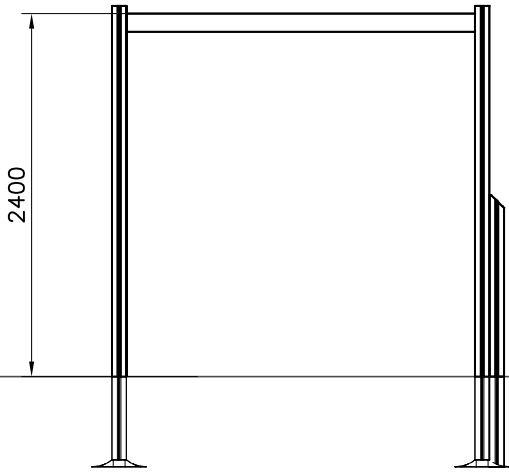




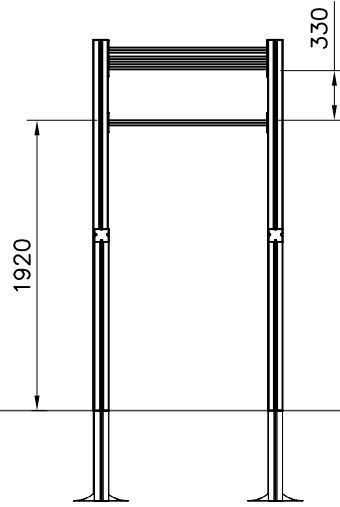
DATE: 23.12.2022

1:50

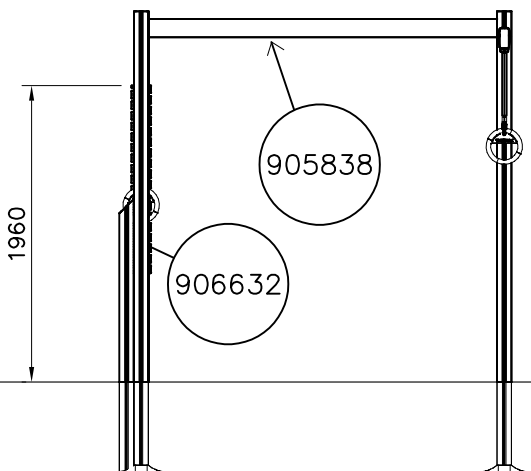
A



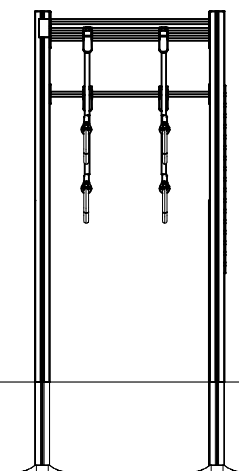
B

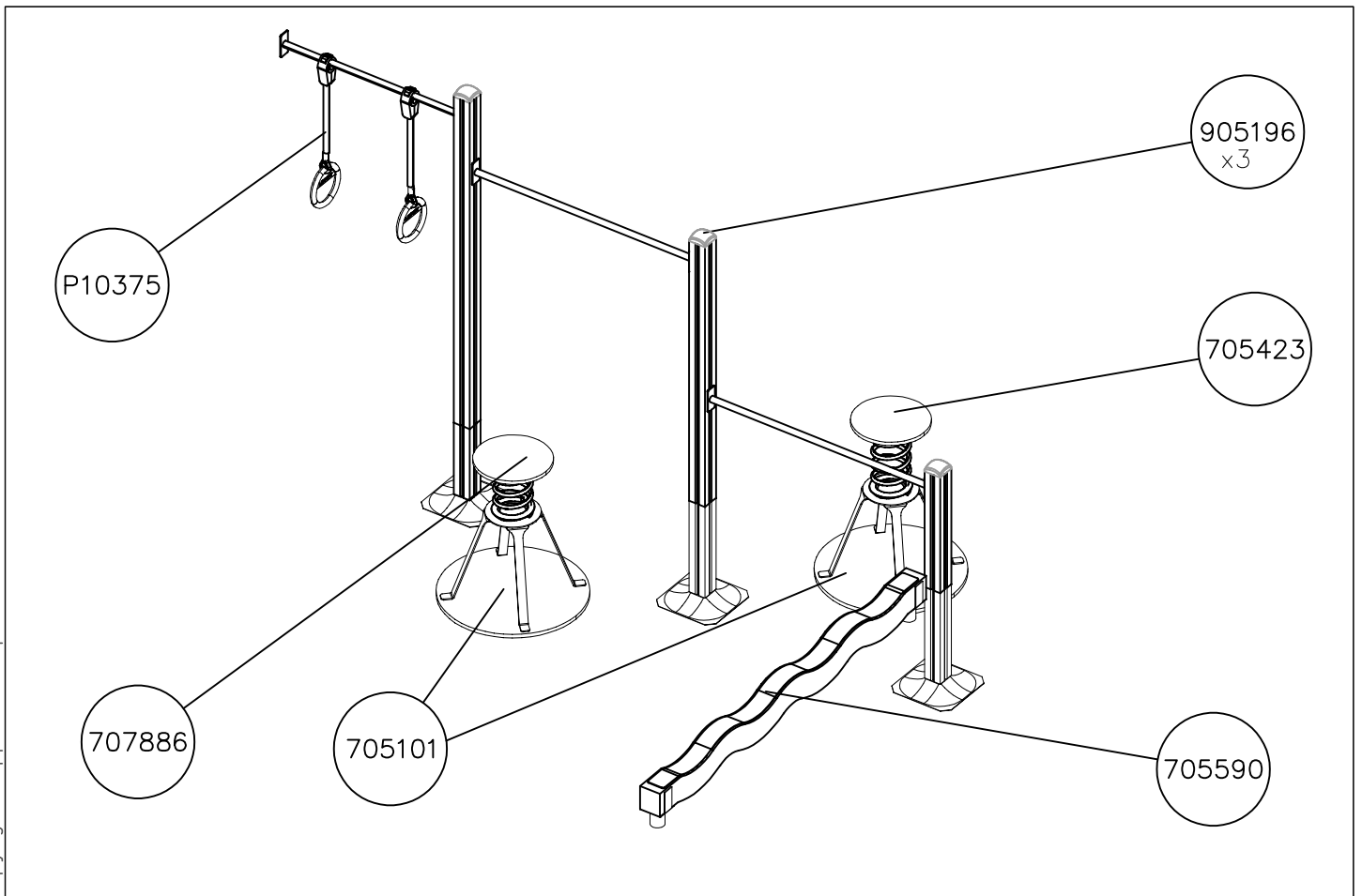
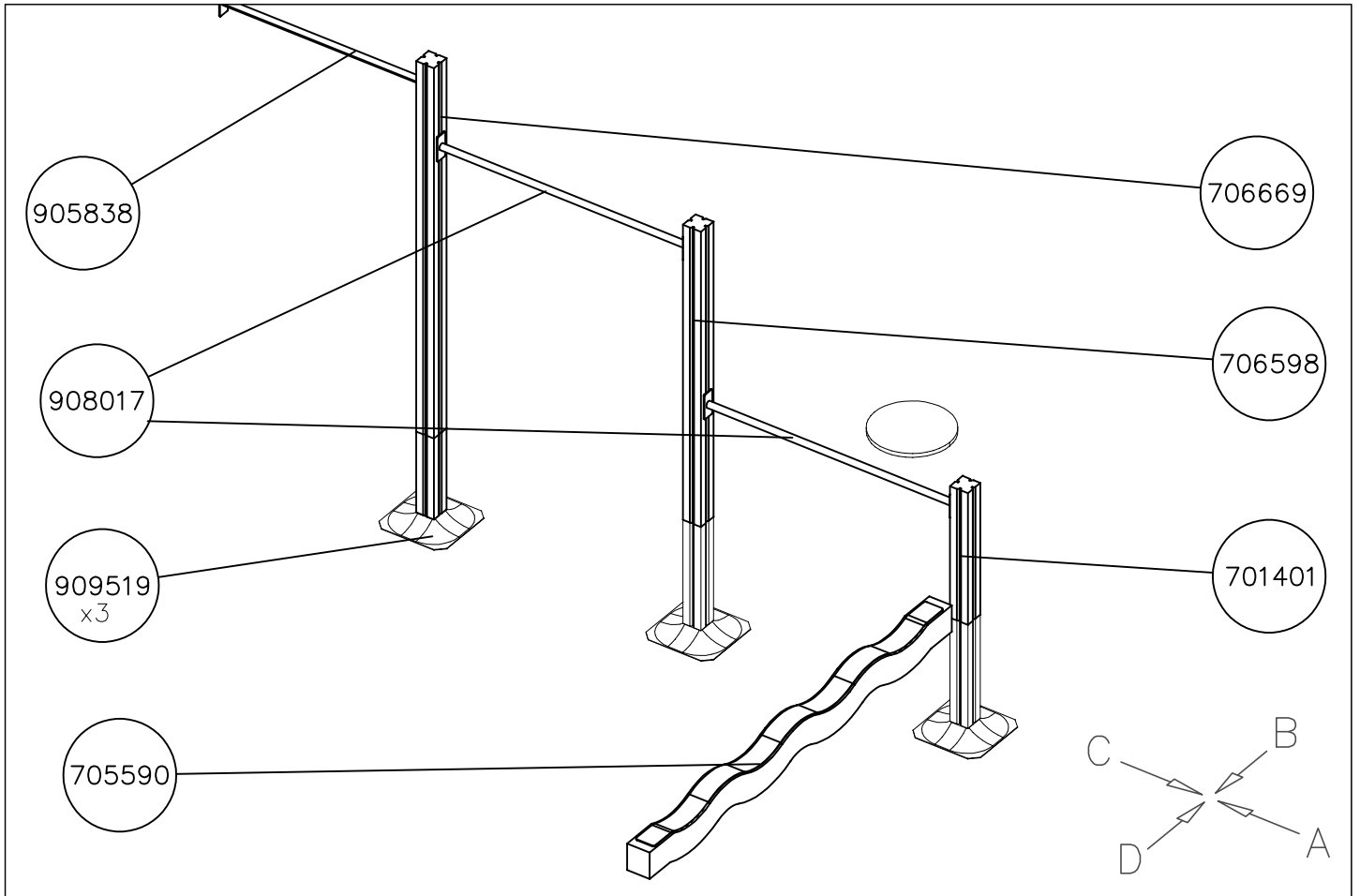


C



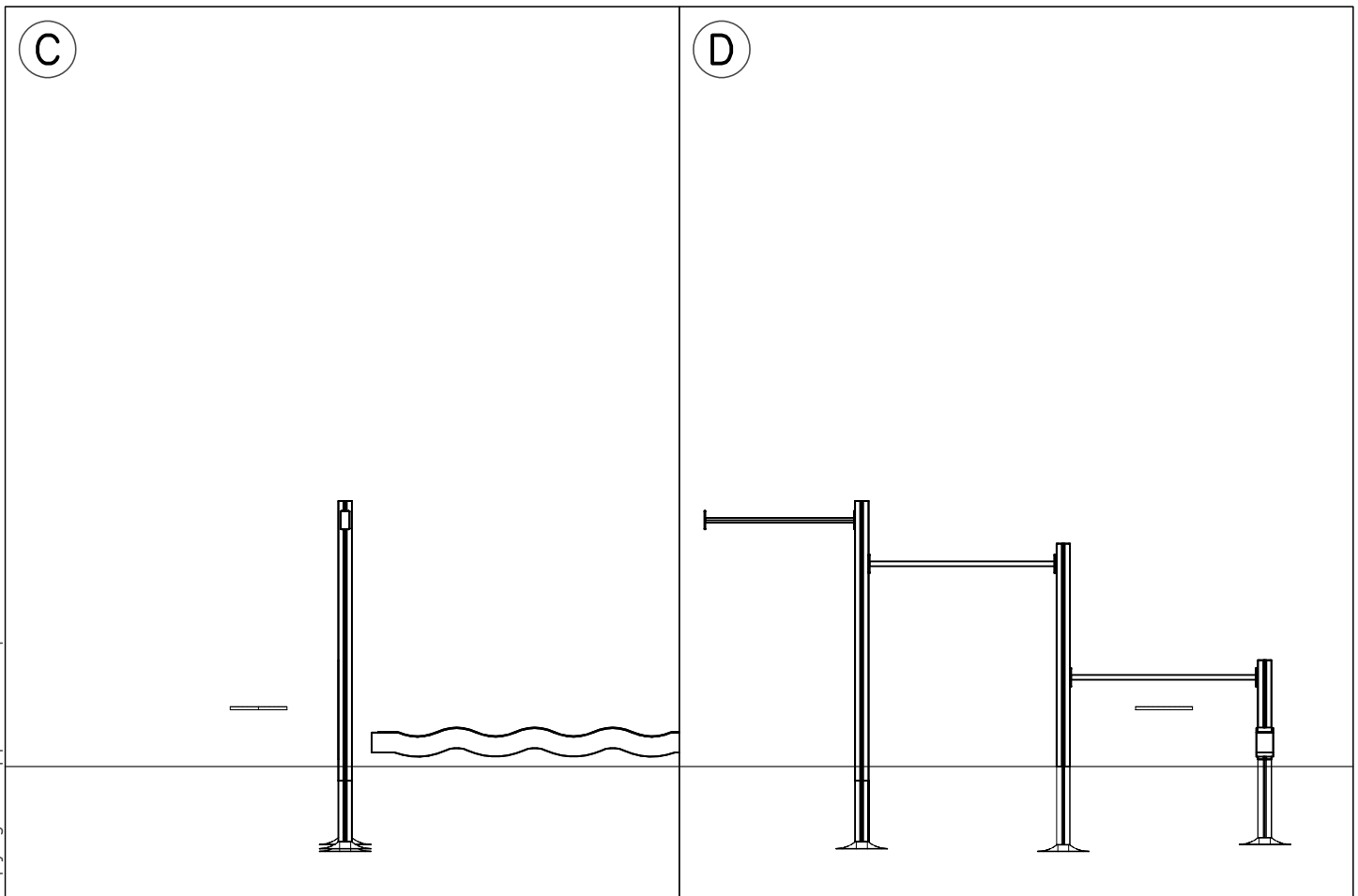
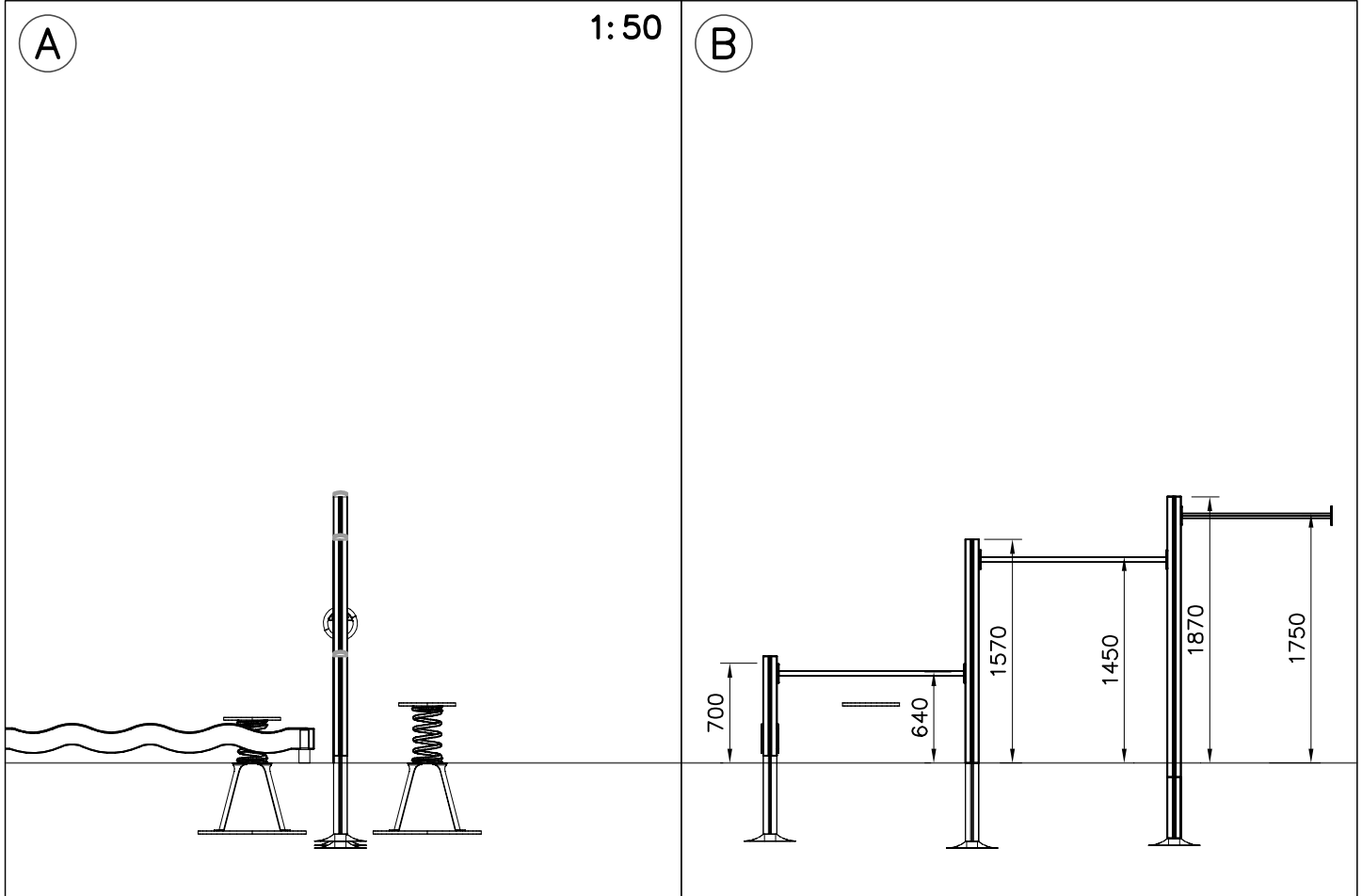
D

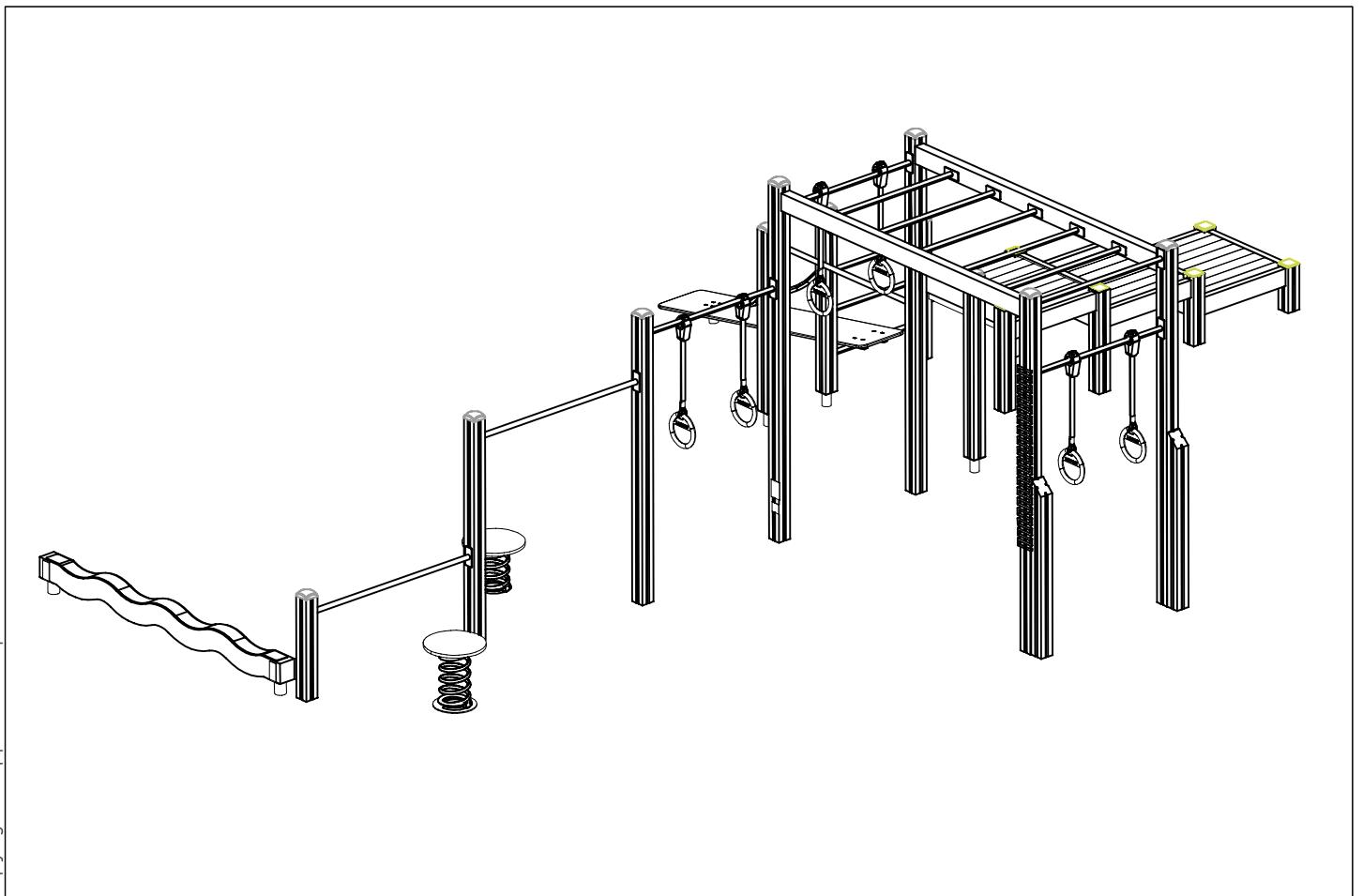
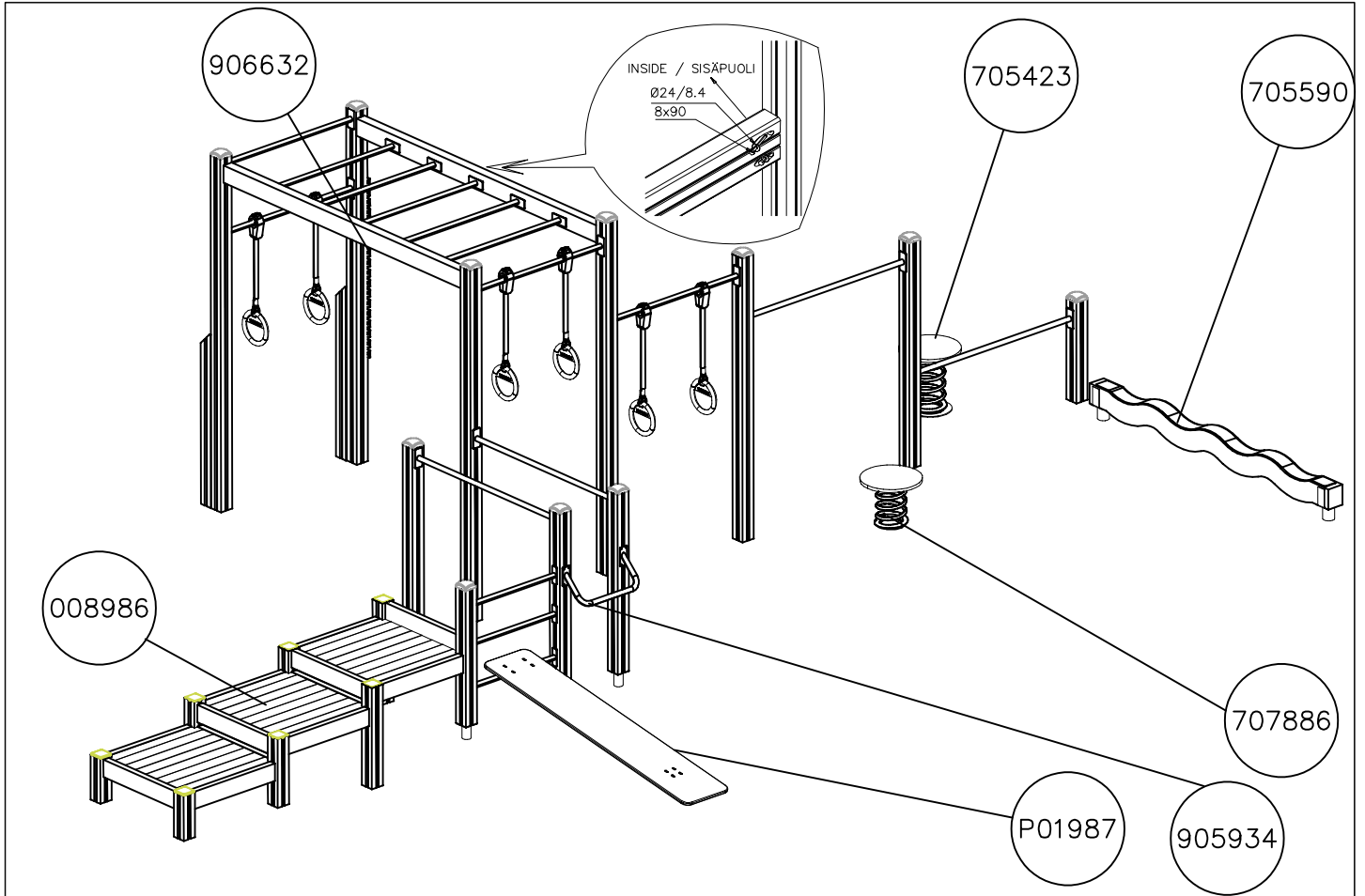




DATE: 23.12.2022

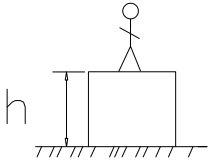



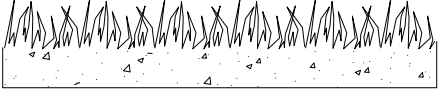
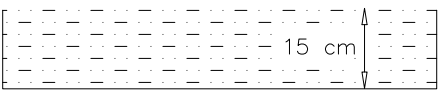
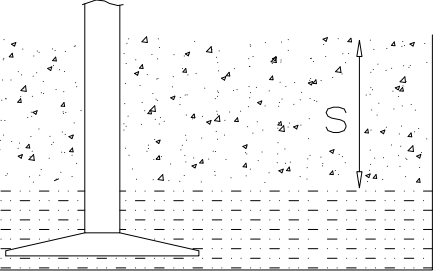
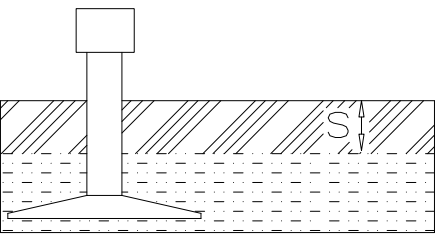
1:50



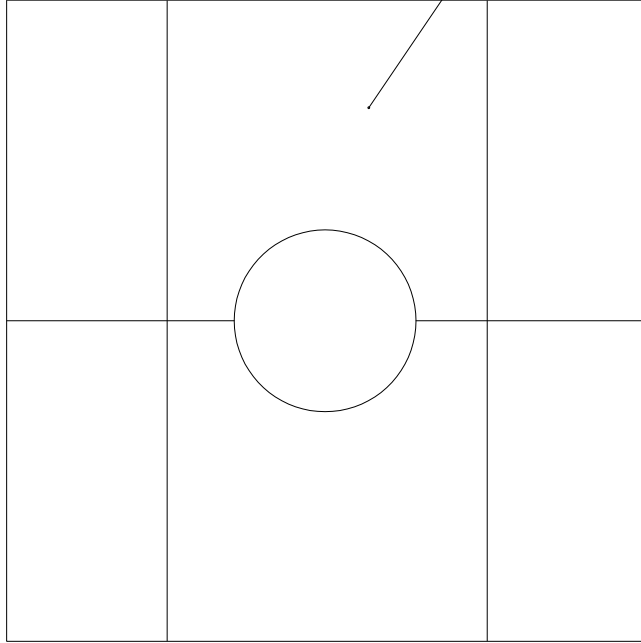






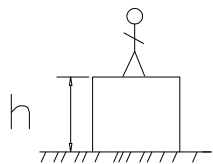
												
<p><b><math>h &lt; 600</math></b></p> <p>Without movement and therefore without Impact Area</p>	<p>Totally hard surfaces.</p> <p>Note. Lappset does <u>not recommend</u> totally hard surfaces at all.</p>	<p>E.g. concrete or asphalt</p> 										
<p><b><math>h &lt; 600</math></b></p> <p>With movement e.g. rocking</p>	<p>Materials with very limited impact attenuating properties.</p>	<p>E.g. wood</p> 										
<p><b><math>h &lt; 1000</math></b></p>	<p>Materials with significant impact attenuating properties.</p>	<p>fine gravel 0–8 mm</p>  <p>grass</p>  <p>unsorted sand</p> 										
<p><b><math>h &lt; 3000</math></b></p>	<p>Loose fill material</p> <p>E.g. sand/gravel 0,25...8 mm D60/D10&lt;3,0 Woodchips 5...30 mm bark 20...80 mm</p>	 <table data-bbox="1021 1691 1332 1792"> <tr> <td><math>\underline{S}</math></td> <td><math>\underline{h}</math></td> </tr> <tr> <td>30 cm</td> <td>&lt; 2,0 m</td> </tr> <tr> <td>40 cm</td> <td>&lt; 3,0 m</td> </tr> </table>	$\underline{S}$	$\underline{h}$	30 cm	< 2,0 m	40 cm	< 3,0 m				
$\underline{S}$	$\underline{h}$											
30 cm	< 2,0 m											
40 cm	< 3,0 m											
	<p>Syntethic granulates</p> <table data-bbox="406 1892 758 2060"> <tr> <td><math>\underline{S}</math></td> <td><math>\underline{h}</math></td> </tr> <tr> <td>40 mm</td> <td>~&gt; 1,2...1,3 m</td> </tr> <tr> <td>50 mm</td> <td>~&gt; 1,5...1,7 m</td> </tr> <tr> <td>60 mm</td> <td>~&gt; 1,8...2,0 m</td> </tr> <tr> <td>70 mm</td> <td>~&gt; 2,1...2,5 m</td> </tr> </table> <p>Note. For accurate values, see manufacturer's instructions.</p>	$\underline{S}$	$\underline{h}$	40 mm	~> 1,2...1,3 m	50 mm	~> 1,5...1,7 m	60 mm	~> 1,8...2,0 m	70 mm	~> 2,1...2,5 m	
$\underline{S}$	$\underline{h}$											
40 mm	~> 1,2...1,3 m											
50 mm	~> 1,5...1,7 m											
60 mm	~> 1,8...2,0 m											
70 mm	~> 2,1...2,5 m											

REMOVE SAFETY SURFACE/SAND/GRAVEL  
TO CHECK FOUNDATION



REMOVE SAFETY SURFACE/SAND/GRAVEL  
TO CHECK FOUNDATION





$h < 1000$

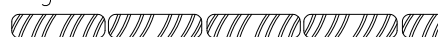
Totally hard surfaces or materials with very limited impact attenuating properties.

Totally hard surfaces.  
E.g. concrete or asphalt



Case by case risk assessment is needed including e.g. evaluation whether there is forced movement, what is the intended exercise and where will the product be installed.

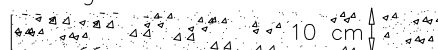
Materials with very limited impact attenuating properties.  
E.g. wood



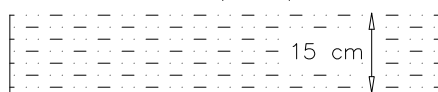
$h < 1200$

Materials with significant impact attenuating properties.

fine gravel 0–8 mm



Unsorted sand/ topsoil



$h < 1500$

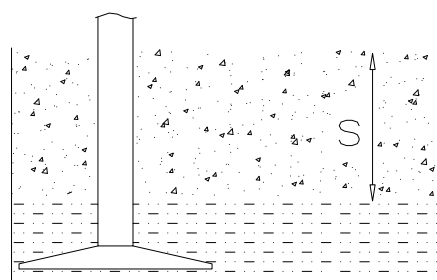
Lawn



$h < 3000$

Loose fill material

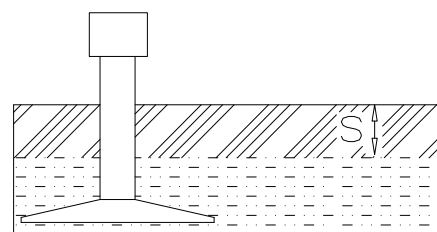
E.g.  
sand/gravel 0,25...8 mm  $D_{60}/D_{10} < 3,0$   
Woodchips 5...30 mm  
bark 20...80 mm



$\underline{S}$	$\underline{h}$
30 cm	$< 2,0 \text{ m}$
40 cm	$< 3,0 \text{ m}$

Syntetic granulates

$\underline{S}$	$\underline{h}$
40 mm	$\sim > 1,2...1,3 \text{ m}$
50 mm	$\sim > 1,5...1,7 \text{ m}$
60 mm	$\sim > 1,8...2,0 \text{ m}$
70 mm	$\sim > 2,1...2,5 \text{ m}$



Note. For accurate values, see manufacturer's instructions.

**LAPPSET®**  
**DEEP FOUNDATION**

**FOOT**

DATE: 13.3.2014

**4A**



**LAPPSET®**  
**BETON FOUNDATION**

**FOOT**

DATE: 27.10.2015

**1(1)**

② 905104	PCS		PCS
	4		
 M10	PCS		PCS



905104


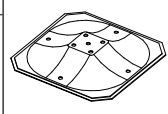
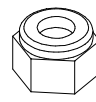
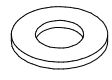
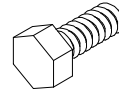
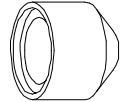

# LAPPSET® DEEP FOUNDATION

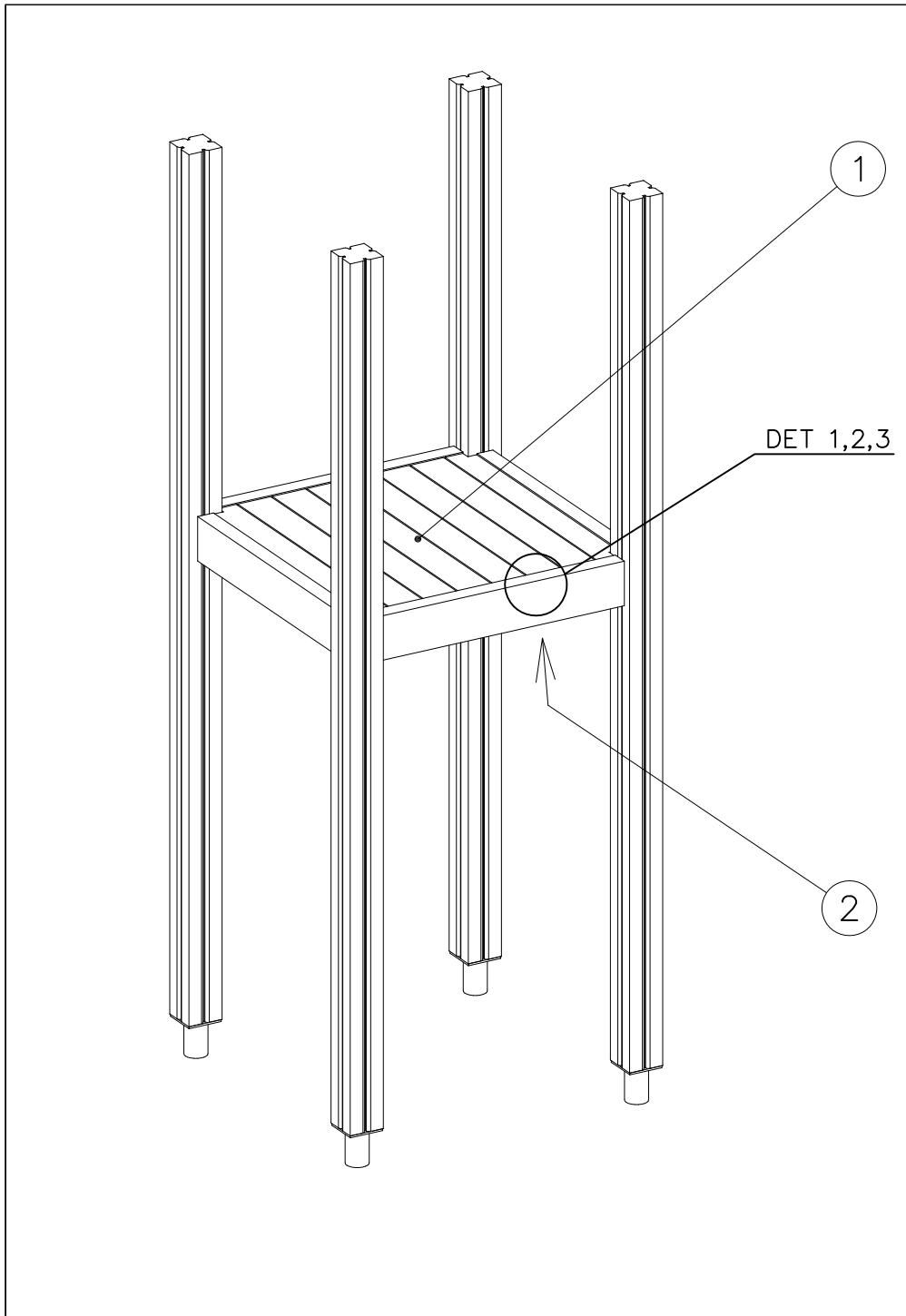
# FOOT

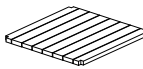
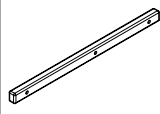
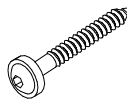

DATE: 15.5.2018

1(1)



①	909511	PCS	②	909519	PCS
		1			1
	90x90x650			50x380x380	
③	909637	PCS	④	909638	PCS
		4			8
	M10			Ø20/10.5	
⑤	909639	PCS	⑥	905104	PCS
		4			4
	M10x25			M10	
OPTION FOOT					
①	911155	PCS			PCS
		1			
	90x90x650				



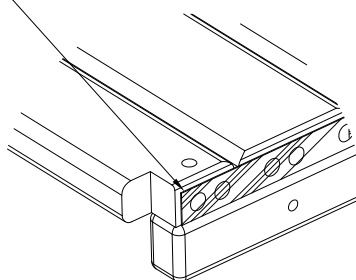
① 008986	PCS	② 706443	PCS
	1		2
750x750		32x45x702	
③ 900240	PCS	④ 980101	PCS
	6		8
Ø8x70		Ø4.5x70	
	PCS		PCS
	PCS		PCS
	PCS		PCS

DET 1

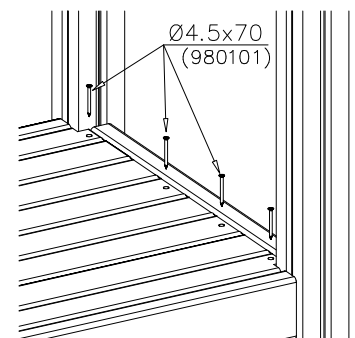


DET 2

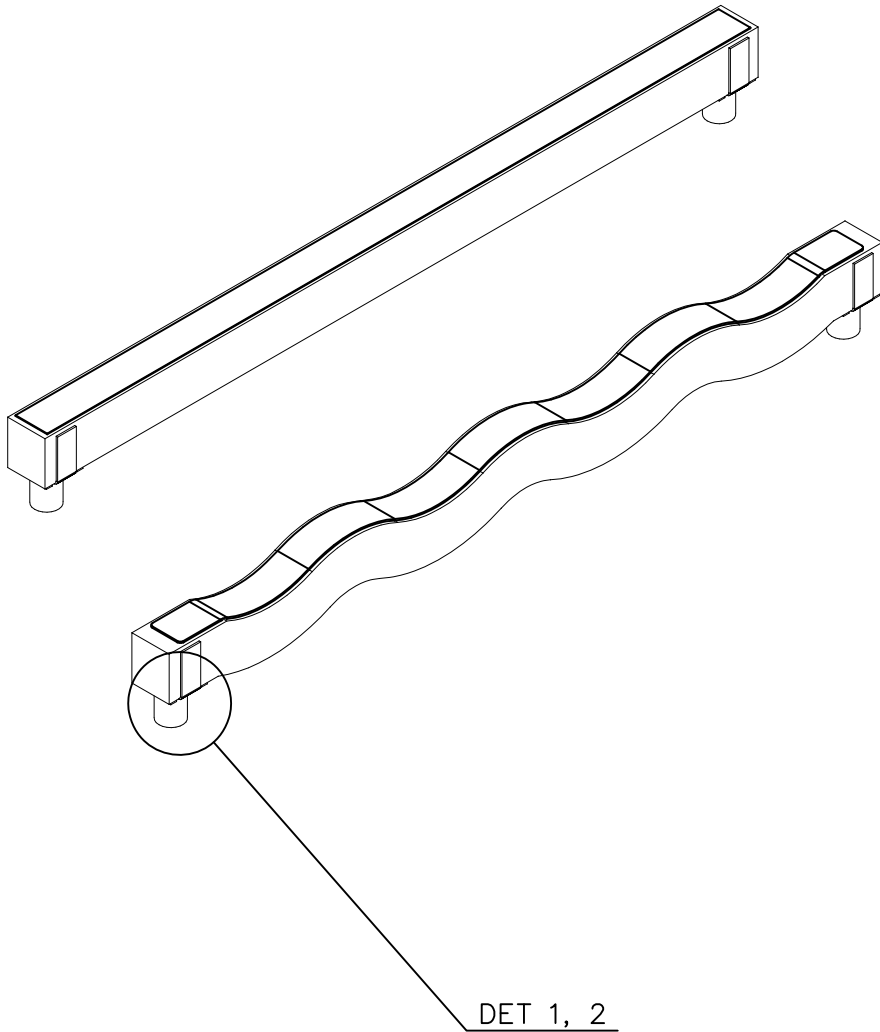
Naulanauha kannatinlistan puolelle.  
Nail list to the bottom.



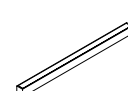
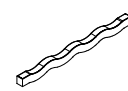
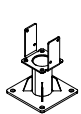



DET 3

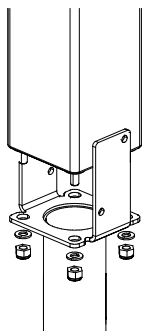




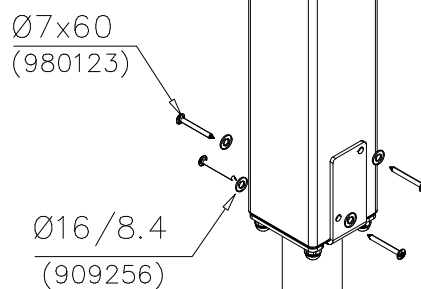


① 980123	PCS	② 909256	PCS
	8		8
Ø7x60		Ø16/8.4	
	PCS		PCS
	PCS		PCS
	PCS		PCS
○ 705566	PCS	○ 705590	PCS
			
140x120x2294		120x200x2294	
○ 905780	PCS	○ 905761	PCS
			
SURFACE		DEEP	
	PCS		PCS
	PCS		PCS

DET 1



DET 2

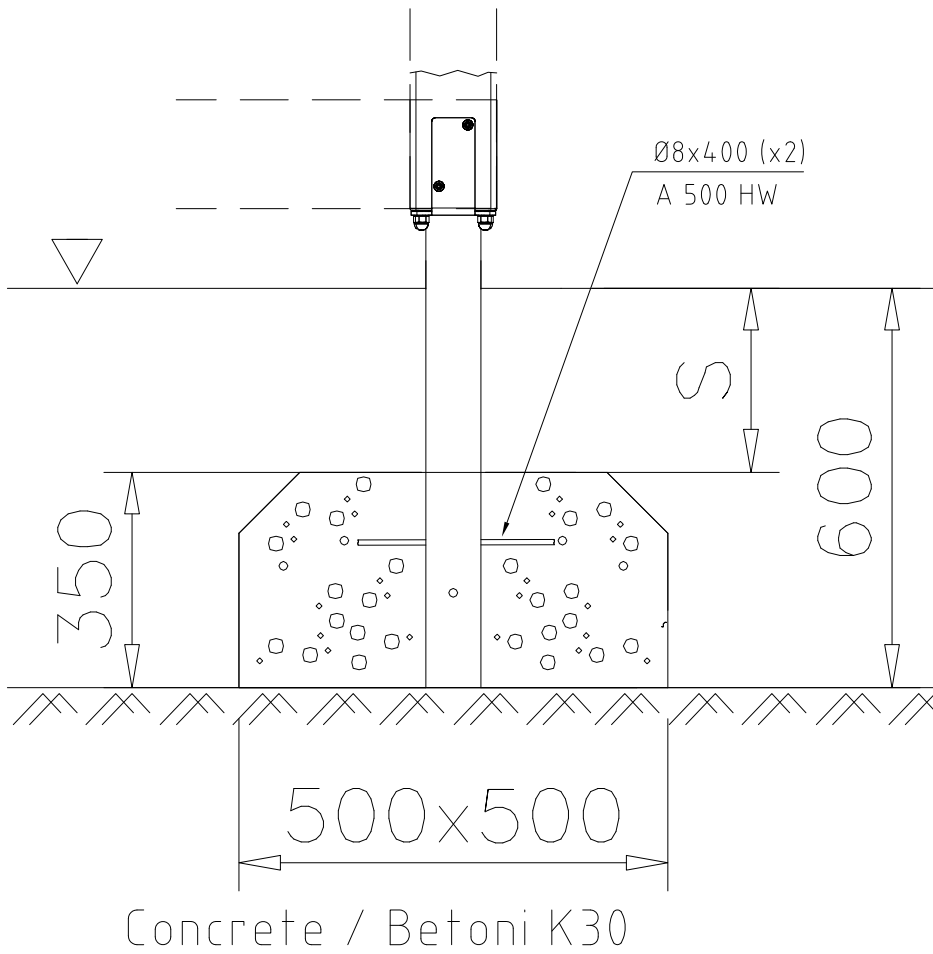




# LAPPSET® CONC. FOUNDATION

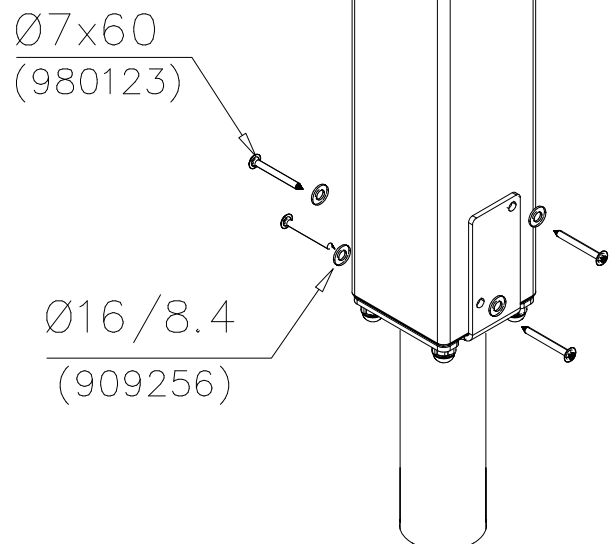
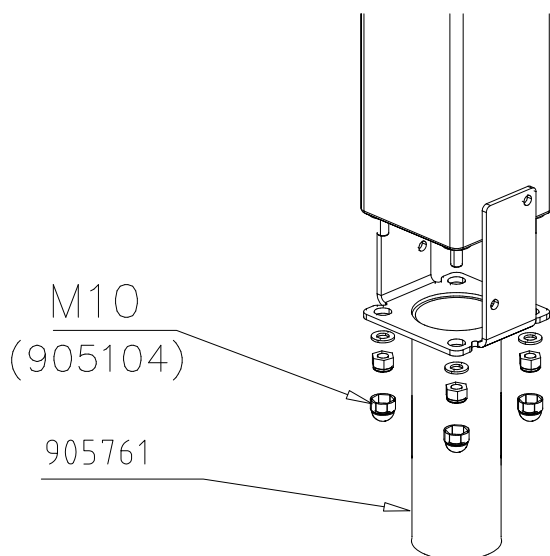
# FOOT 120x120 POST & BEAM

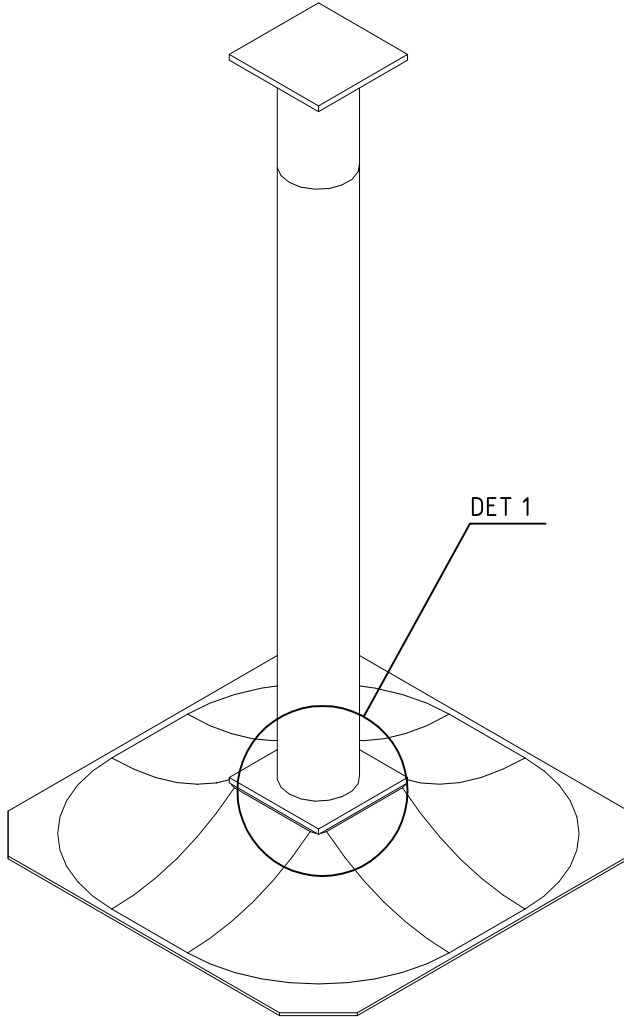
DATE: 21.4.2016


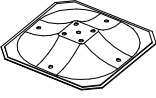


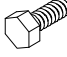
4A



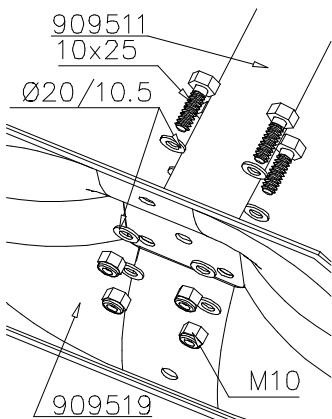
① 905104	PCS		PCS
	4		
			
M10			
	PCS		PCS
	PCS		PCS
	PCS		PCS
○ 905761	PCS		PCS
			
CONCRETE			

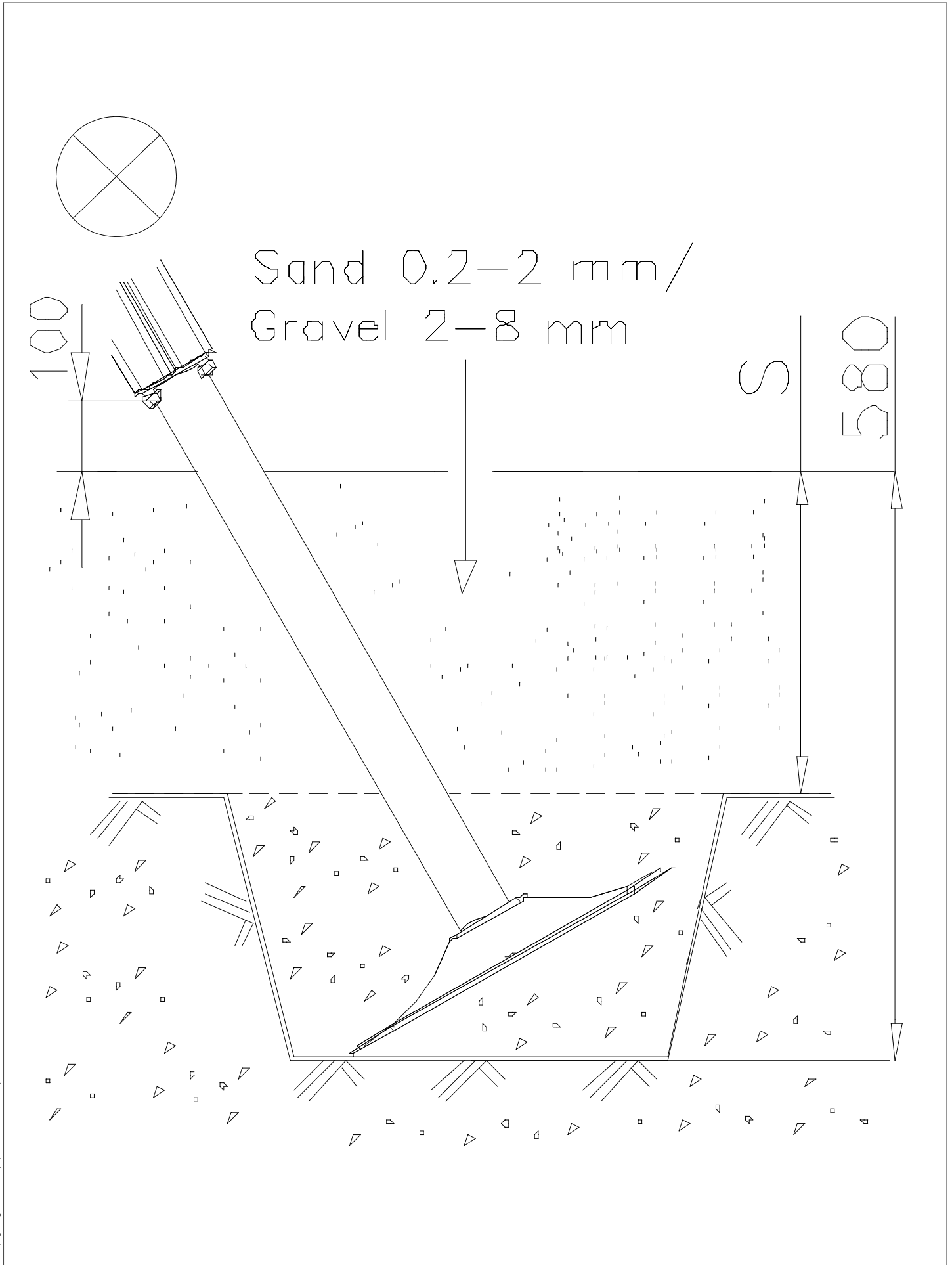




①	909511	PCS	②	909519	PCS
		1			1
③	909637	PCS	④	909638	PCS
		4			8
	M10			Ø20/10.5	
⑤	909639	PCS			PCS
		4			
	M10x25				
		PCS			PCS
		PCS			PCS
		PCS			PCS
		PCS			PCS
		PCS			PCS

DET 1







## Tuotekyltti tulee tuotteen mukana yhdellä seuraavista tavoista:

### 1) Metallinen tuotekyltti ja kiinnitysruuvit

- Kiinnitä tuotekyltti ruuveilla tolppaan noin 2 metrin korkeuteen kuvan 1 mukaisesti.

### 2) Tuotekylttitarra

- Puhdista maalattu metalli- tai vaneripinta pölystä ja kosteudesta. Liimaa tarra kuvan 2 mukaisesti.
- Huom. Älä kiinnitä tarraa karheapintaiseen laminaattiin tai maalattuun puuhun.

## Vår produktmärkning levereras på ett av följande sätt:

### 1) Produktskylt i metall

- Fäst skylten med de medföljande skruvarna

### 2) Självhäftande produktetikett

- Rengör den pulverlackerade metallytan eller laminatyten så att den blir fri från smuts och fukt. Fäst etiketten enligt fig. 2.
- Obs! Fäst ej etiketten på detaljer med skrovlig yta eller på målat trä.

## Product label is delivered by one of following ways:

### 1) Metal product label and screws

- Fasten the label with screws.

### 2) Label sticker

- Clean the painted metal or plywood surface from dirt and moisture. Fasten the sticker as shown in the figure 2.
- Note. Do not attach the sticker to rough surfaced laminate or painted wood.

## La plaque d'informations produit est livrée sous l'une de ces 3 formes :

### 1) Plaque métallique et vis

- Fixez la plaque à l'aide des vis.

### 2) Etiquette autocollante

- Avant de coller l'étiquette, nettoyez le composant métallique peint ou la plaque de contreplaqué, de toute saleté. La surface doit être sèche (voir image 2).
- Attention, ne pas coller l'étiquette sur une surface lamellé-collée irrégulière ou sur du bois peint.

## Die Auslieferung des Produktaufklebers erfolgt auf eine dieser Arten:

### 1) Produkt-Schild aus Metall incl. Schrauben

- Die Befestigung des Schildes erfolgt mittels der Schrauben.

### 2) Aufkleber

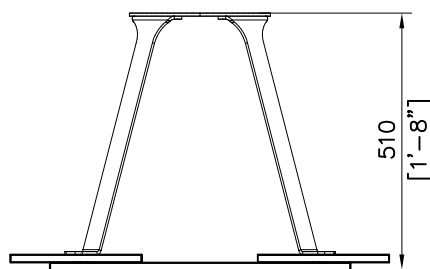
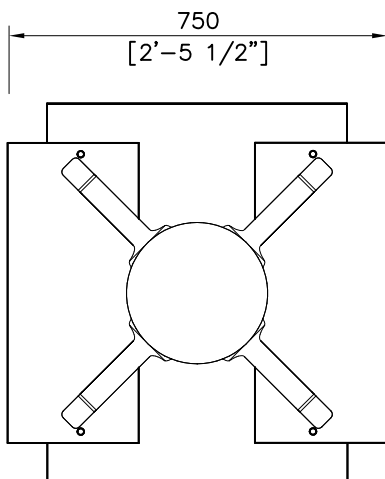
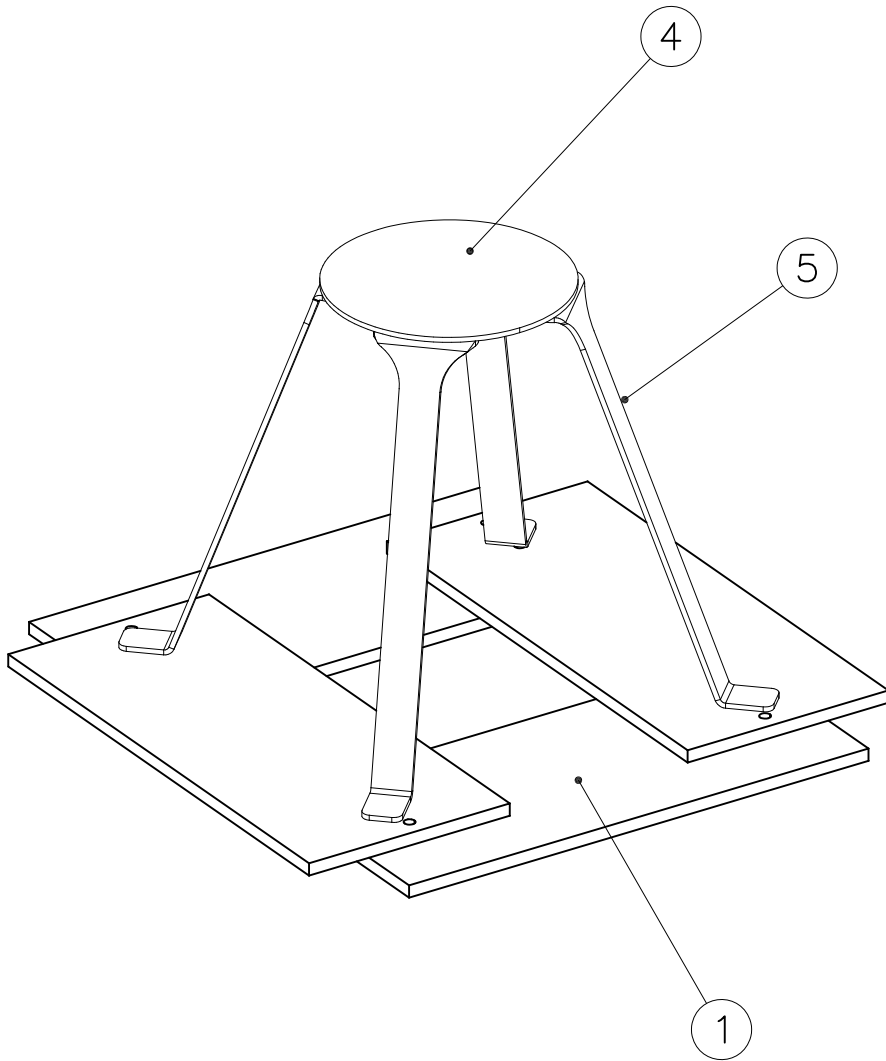
- Entfernen Sie zunächst Schmutz und Feuchtigkeit vom lackierten Metall bzw. von der Holzoberfläche und bringen Sie den Aufkleber wie im Bild oben rechts beschrieben auf den gesäuberten Untergrund auf.
- Beachten Sie: Bringen Sie den Aufkleber nicht auf raues laminiertes oder lackiertes Holz an.

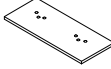

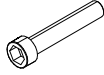




# LAPPSET® GROUNDING

# 705101

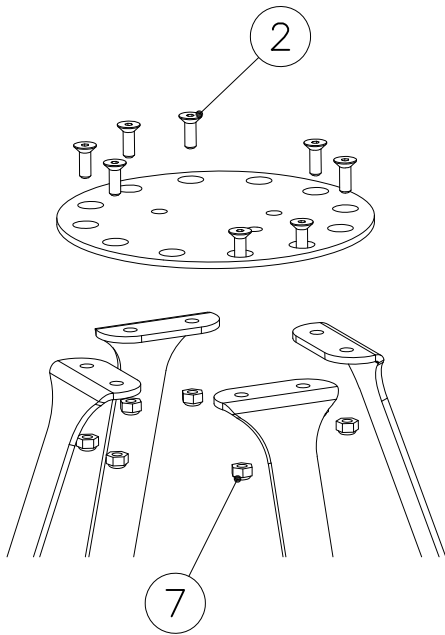
DATE: 5.6.2023

# 1(2)

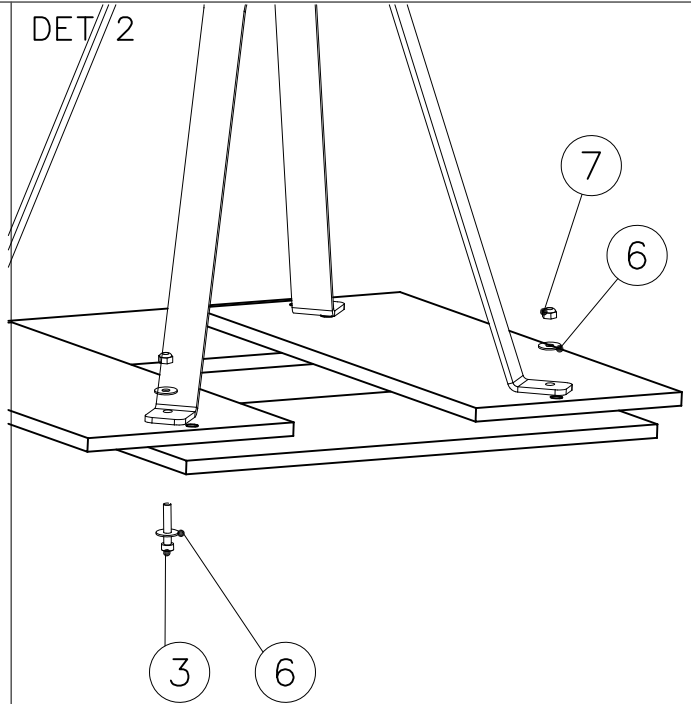


①	707138	PCS	②	900958	PCS
		4			8
	260x595			M10x30	
③	902232	PCS	④	905993	PCS
		4			1
	M10x55				
⑤	906000	PCS	⑥	909255	PCS
		4			8
				Ø30/10.5	
⑦	980161	PCS			PCS
		12			
	M10				
		PCS			PCS
		PCS			PCS
		PCS			PCS

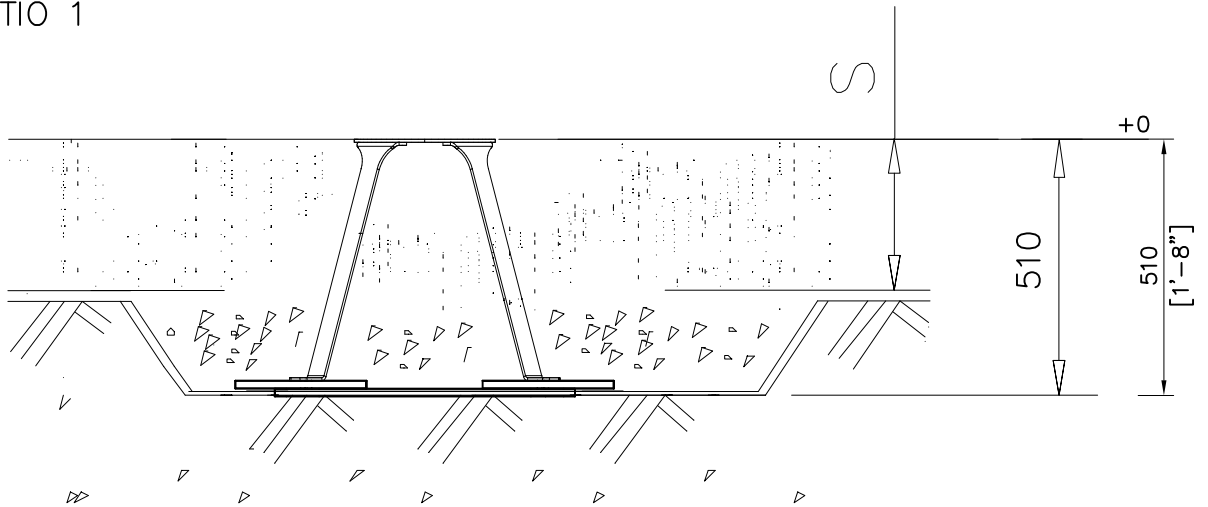
DET 1



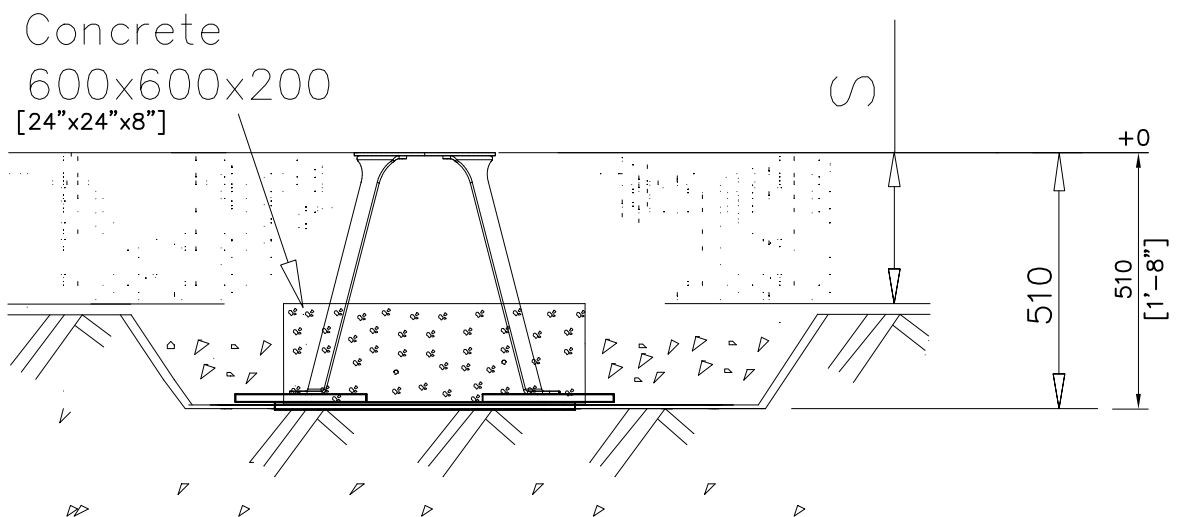
DET 2

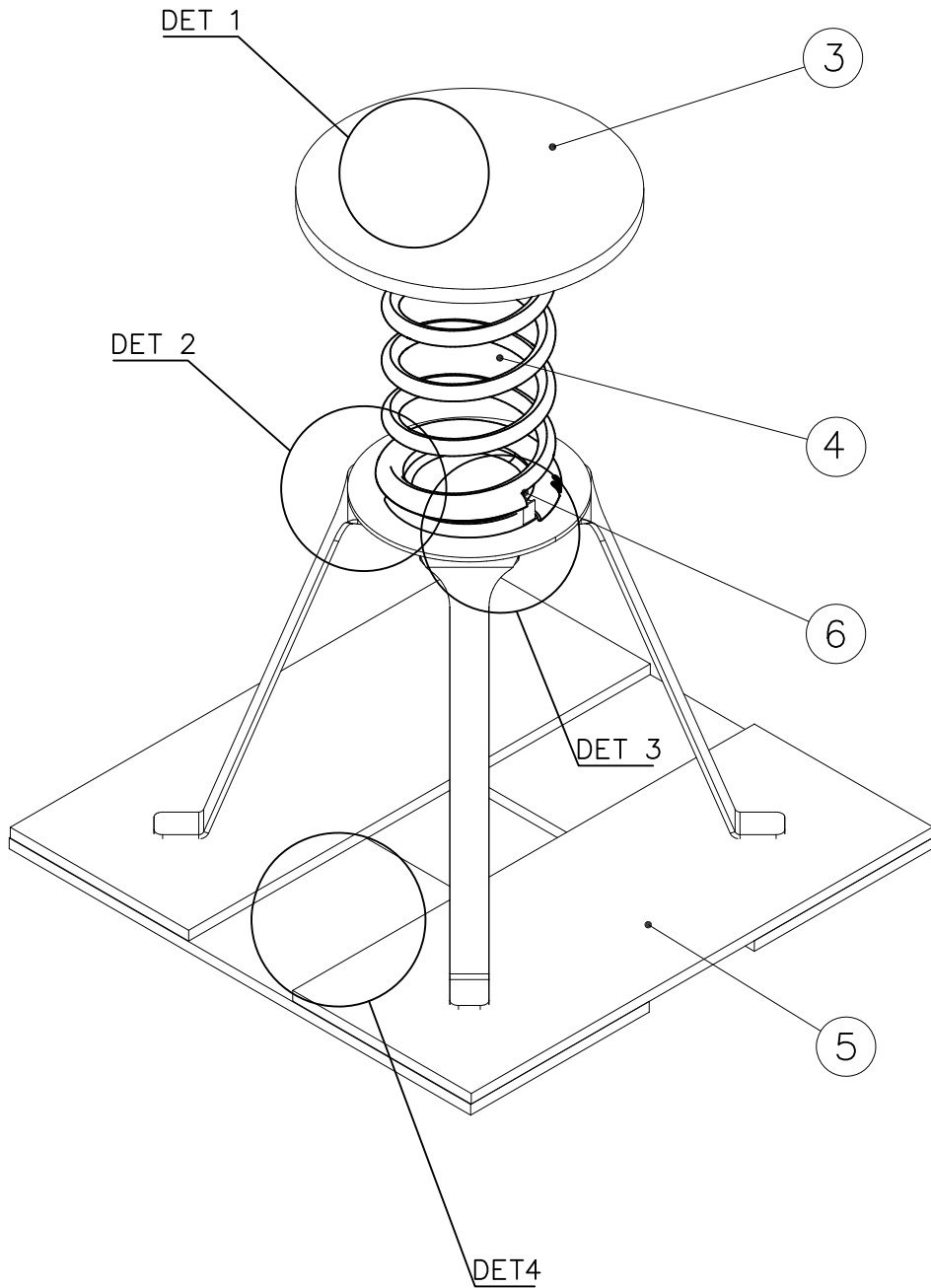


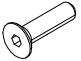

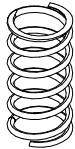
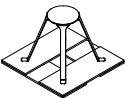




DET 3 OPTIO 1



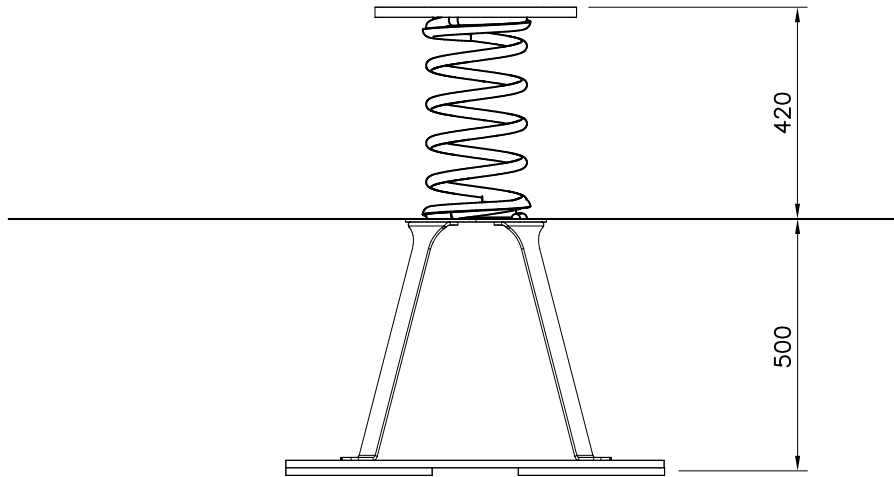
DET 3 OPTIO 2 (WITH CONCRETE)



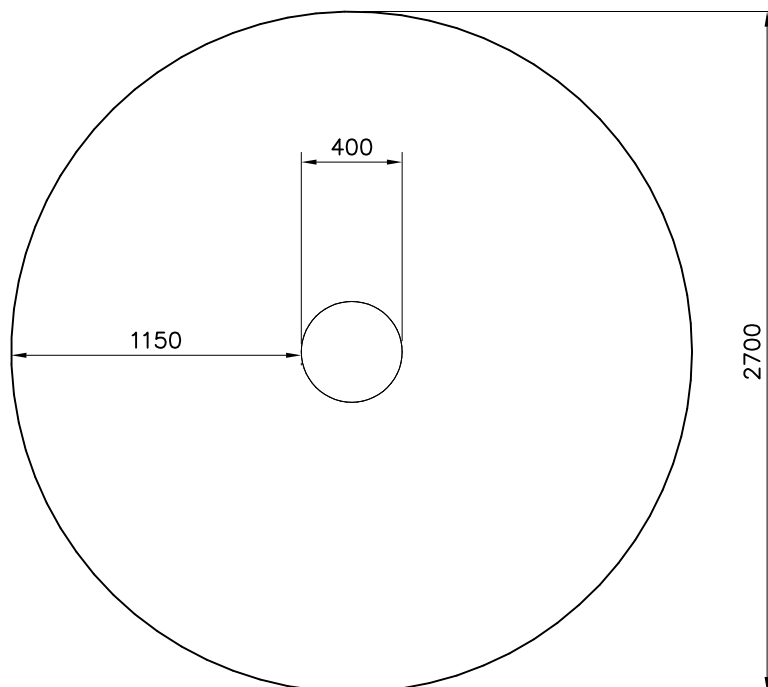


①	702286	PCS	②	901487	PCS
		1			3
	90x50			M10x40	
③	705432	PCS	④	903192	PCS
		1			1
	Ø400			20x200	
⑤	705101	PCS			PCS
		1			
			⑥	903191	PCS
					2
				M10x35 (902252)	
					
				Ø20/10.5x2 (901302)	PCS
					
				M10 (909637)	
					
				19x21x25 (903193)	
		PCS			PCS
		PCS			PCS
		PCS			PCS

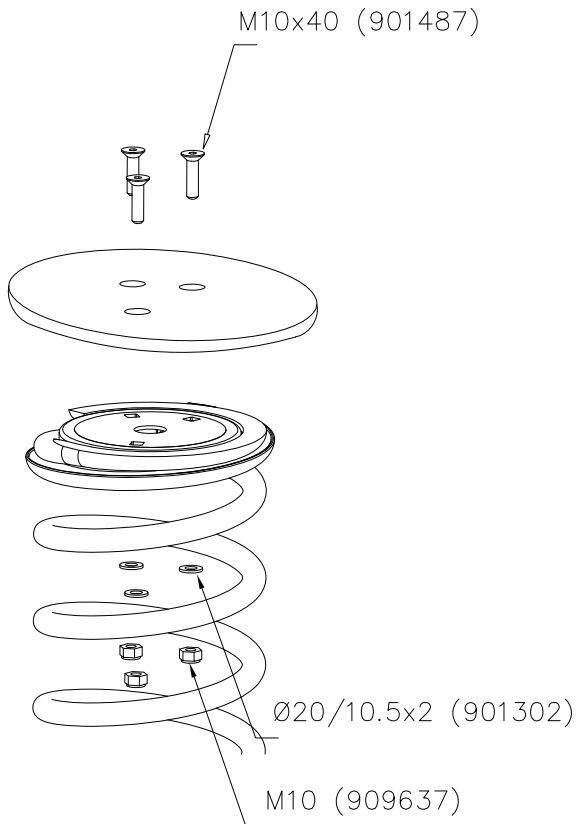




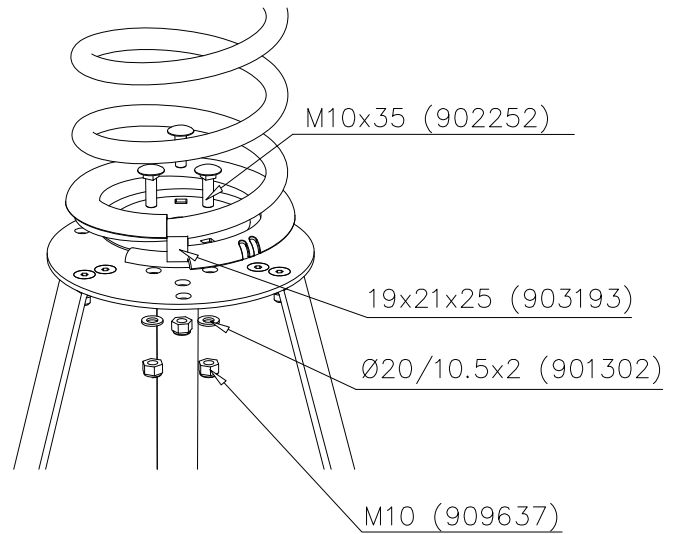
- EN Impact Area 5.7 m<sup>2</sup>
- - - Falling Space 5.7 m<sup>2</sup>
- Max Falling Height 420 mm



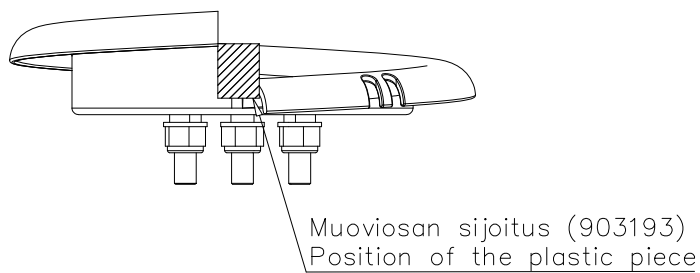
DET 1



DET 2



DET 3



DET 4 705101 OPTIO 1

