

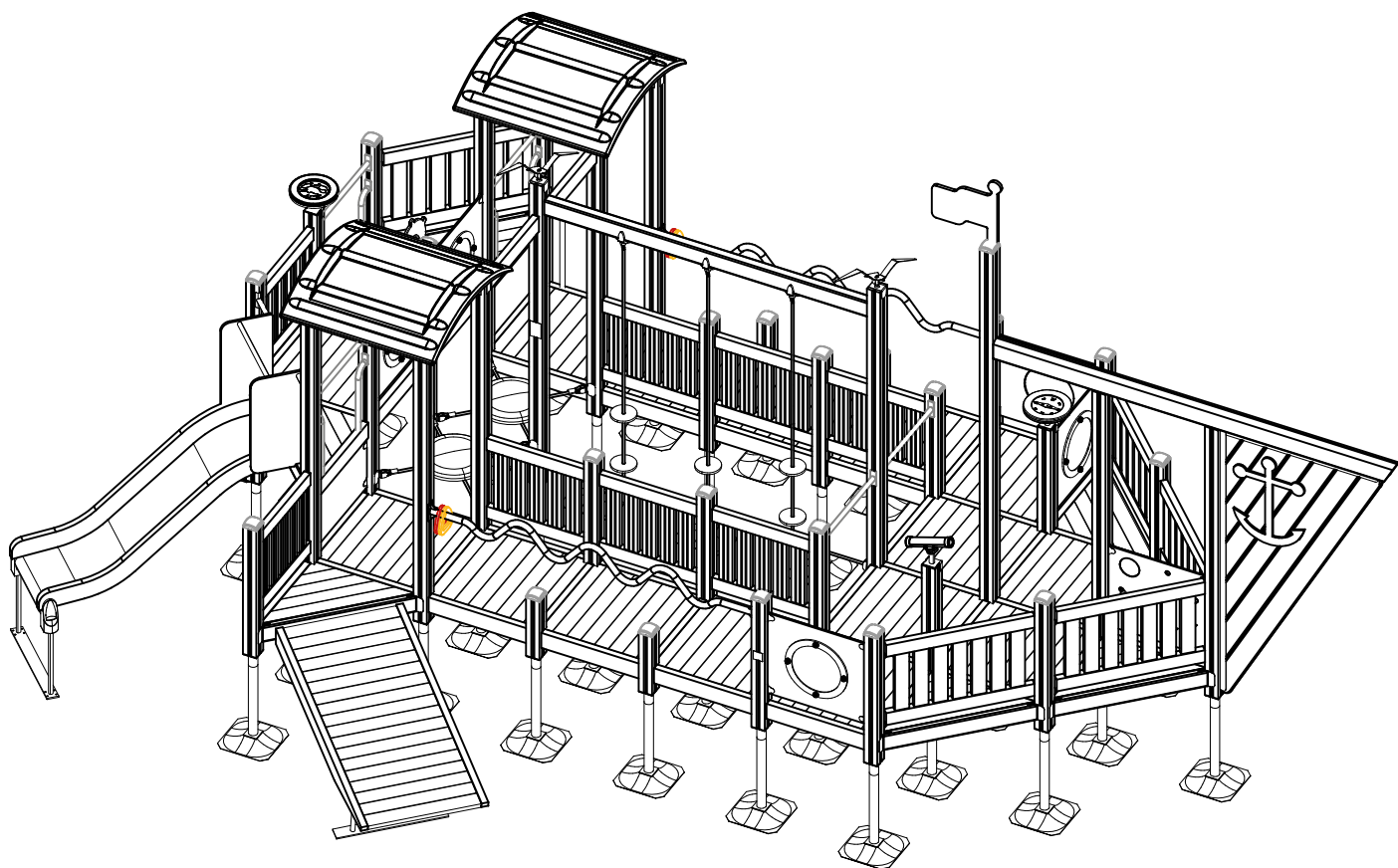
LAPPSET®

FINNO


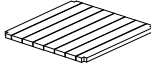
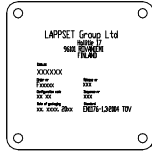
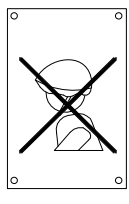
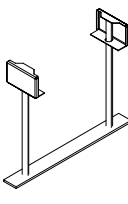
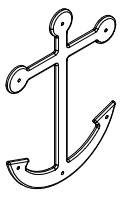
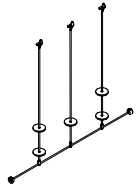
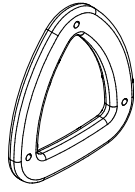
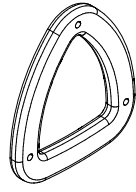
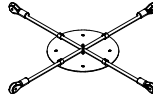

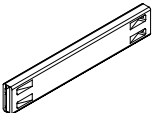
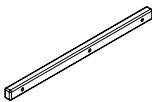
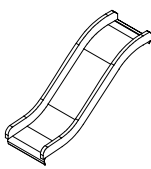
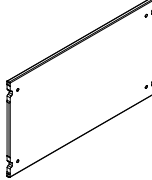
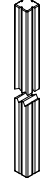

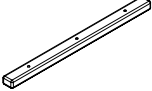


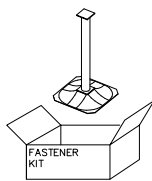
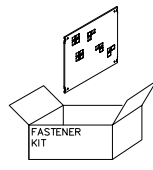
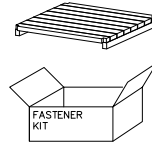
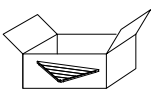
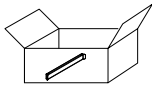
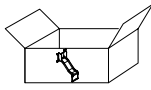

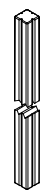
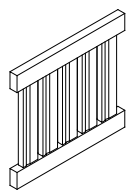
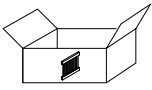
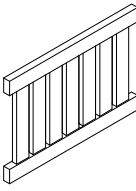
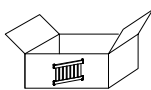
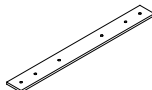
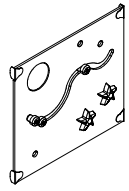

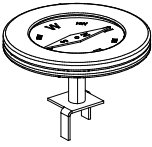
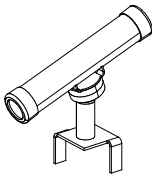
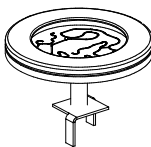
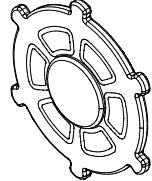

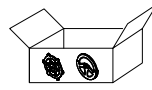
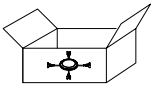
ASENNUSOHJE
MONTERINGSANSVISNING
INSTALLATION INSTRUCTION
AUFBAUANLEITUNG
NOTICE D'INSTALLATION

DATE: 7.6.2022


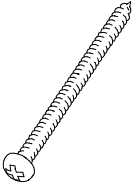
Q16371



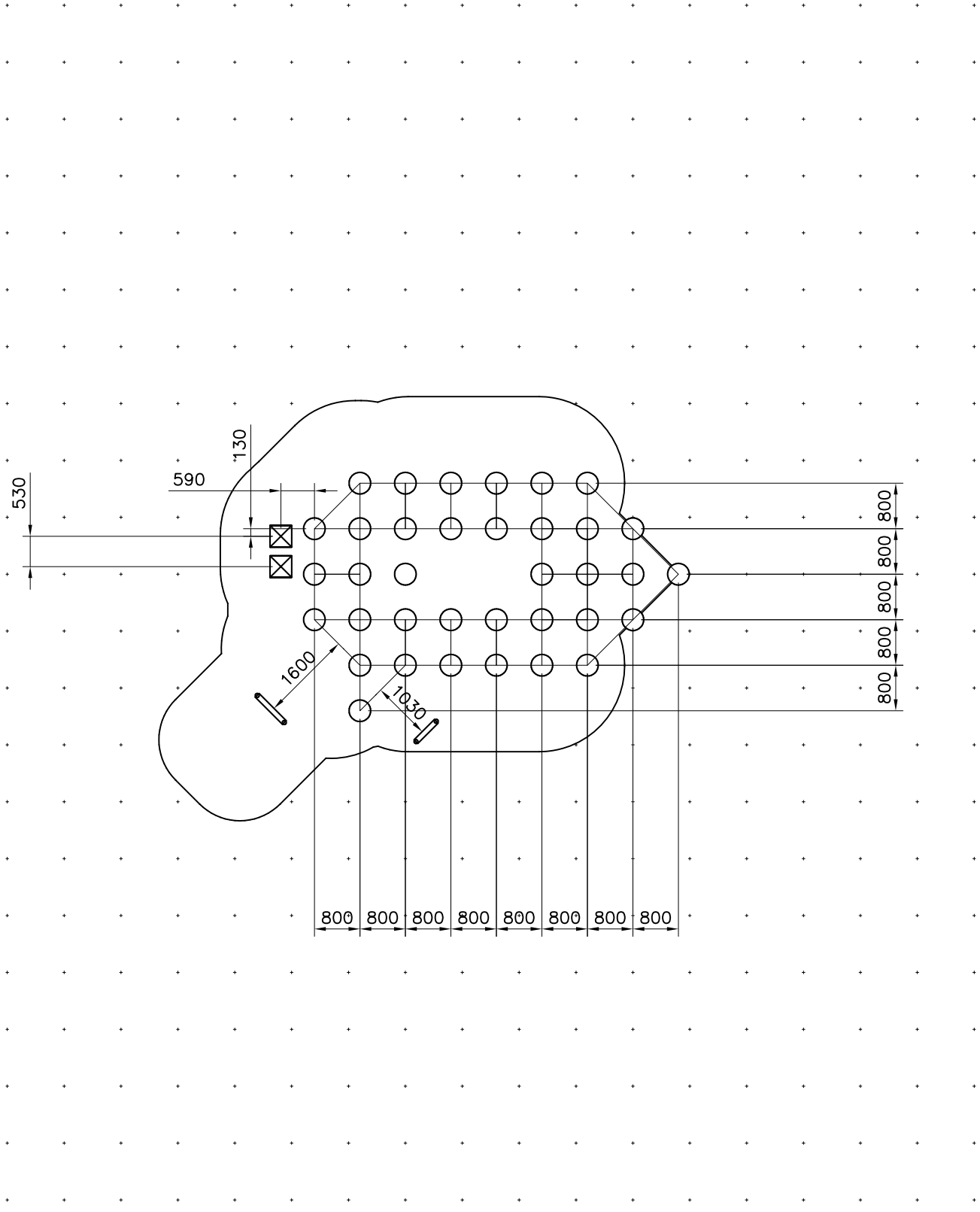
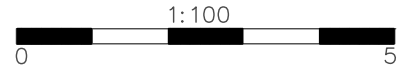
DATE: 7.6.2022

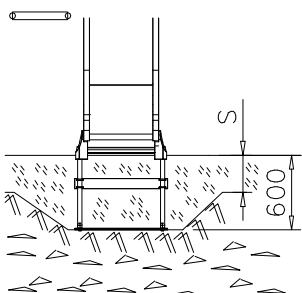
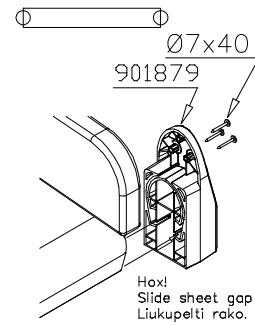
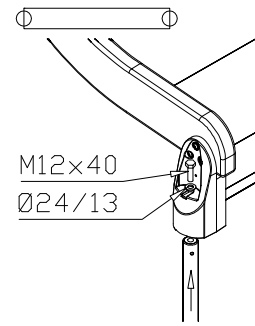
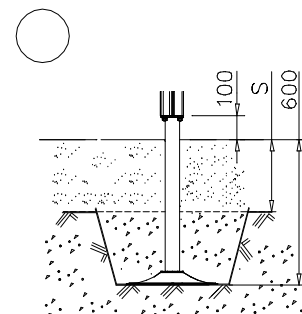
008985  32x714x714	PCS 7	008986  750x750	PCS 16	702286  65x65	PCS 1	702339  118x78	PCS 1	704431  12x503x687	PCS 1	704868-607  12x503x687	PCS 2
704917-305 	PCS 1	705369-702 	PCS 2	705369-706 	PCS 2	706059-305  L 926	PCS 2	706371-701  15x345x750	PCS 2	706439-603  L 704	PCS 56
706443  32x45x702	PCS 32	706452-603  600x780x1740	PCS 1	706461-701  15x400x703	PCS 2	706466-603  93x93x1025	PCS 15	706484-603  93x93x2150	PCS 10	706508  32x45x650	PCS 21
706510-603  45x120x1030	PCS 7	706527-603  93x93x1600	PCS 4	706531  FASTENER KIT	PCS 38	706534  FASTENER KIT	PCS 2	706535  FASTENER KIT	PCS 16	706537  FASTENER KIT	PCS 7
706538  45x640x984	PCS 7	706547  FASTENER KIT	PCS 1	706568-603  93x93x3000	PCS 1	706669-603  93x93x2400	PCS 2	706746-608  45x640x701	PCS 8	706748  FASTENER KIT	PCS 8
706997-608  45x640x984	PCS 5	706999  FASTENER KIT	PCS 5	707133  10x80x745	PCS 1	707209-701  FASTENER KIT	PCS 1	707294-603  70x120x2304	PCS 1	707303-701  FASTENER KIT	PCS 1
707304 	PCS 1	707305-701  FASTENER KIT	PCS 1	707320-702  FASTENER KIT	PCS 1	707331-603  93x93x470	PCS 4	707333  FASTENER KIT	PCS 1	707373  FASTENER KIT	PCS 2

707418-701	PCS 1		707419	PCS 1		707450	PCS 1		707453-701	PCS 5		707454	PCS 5		707455	PCS 1	
700x1000									10x640x702								
707585	PCS 3		707621-610	PCS 1		707623	PCS 2		707633-603	PCS 1		707653-603	PCS 1		707680	PCS 1	
			21x489x900						90x145x2855			32x1130x2110					
707693	PCS 2		707732	PCS 7		707839	PCS 1		707860-603	PCS 2		707861	PCS 3		707862	PCS 2	
									45x120x1785			750x590				32x45x1700	
707888	PCS 1		900240	PCS 20		900733	PCS 2		901868	PCS 3		901879	PCS 2		903093	PCS 228	
			Ø8x70			Ø450x83			Ø34x598							Ø8x90	
905138	PCS 21		905196	PCS 21		905879	PCS 1		907688-216	PCS 1		907692-216	PCS 2		907694-216	PCS 5	
GRAY			GRAY													L 704	
907701-216	PCS 6		908251	PCS 2		908255-215	PCS 2		908291-216	PCS 1		908330-216	PCS 4		908357-206	PCS 2	
			1100x1100x215			2304x222x60			47x55x696x3								
909256	PCS 16		909511	PCS 38		909519	PCS 38		929325	PCS 1		929326	PCS 1		980114	PCS 8	
Ø16/8.4x1.6			90x90x650			50x380x380			40x40x1080			40x40x3x2095				Ø4x20	

980123  Ø7x60	PCS 16	980131  Ø6x60	PCS 84		PCS		PCS		PCS		PCS
	PCS		PCS		PCS		PCS		PCS		PCS
	PCS		PCS		PCS		PCS		PCS		PCS
	PCS		PCS		PCS		PCS		PCS		PCS
	PCS		PCS		PCS		PCS		PCS		PCS
	PCS		PCS		PCS		PCS		PCS		PCS
	PCS		PCS		PCS		PCS		PCS		PCS

EN/AS Impact Area 46 m²

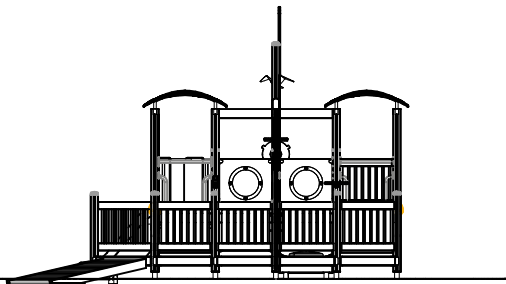
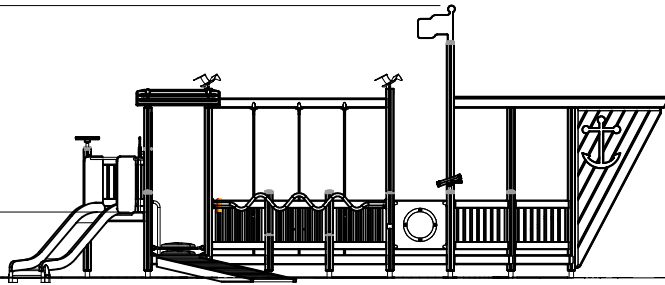


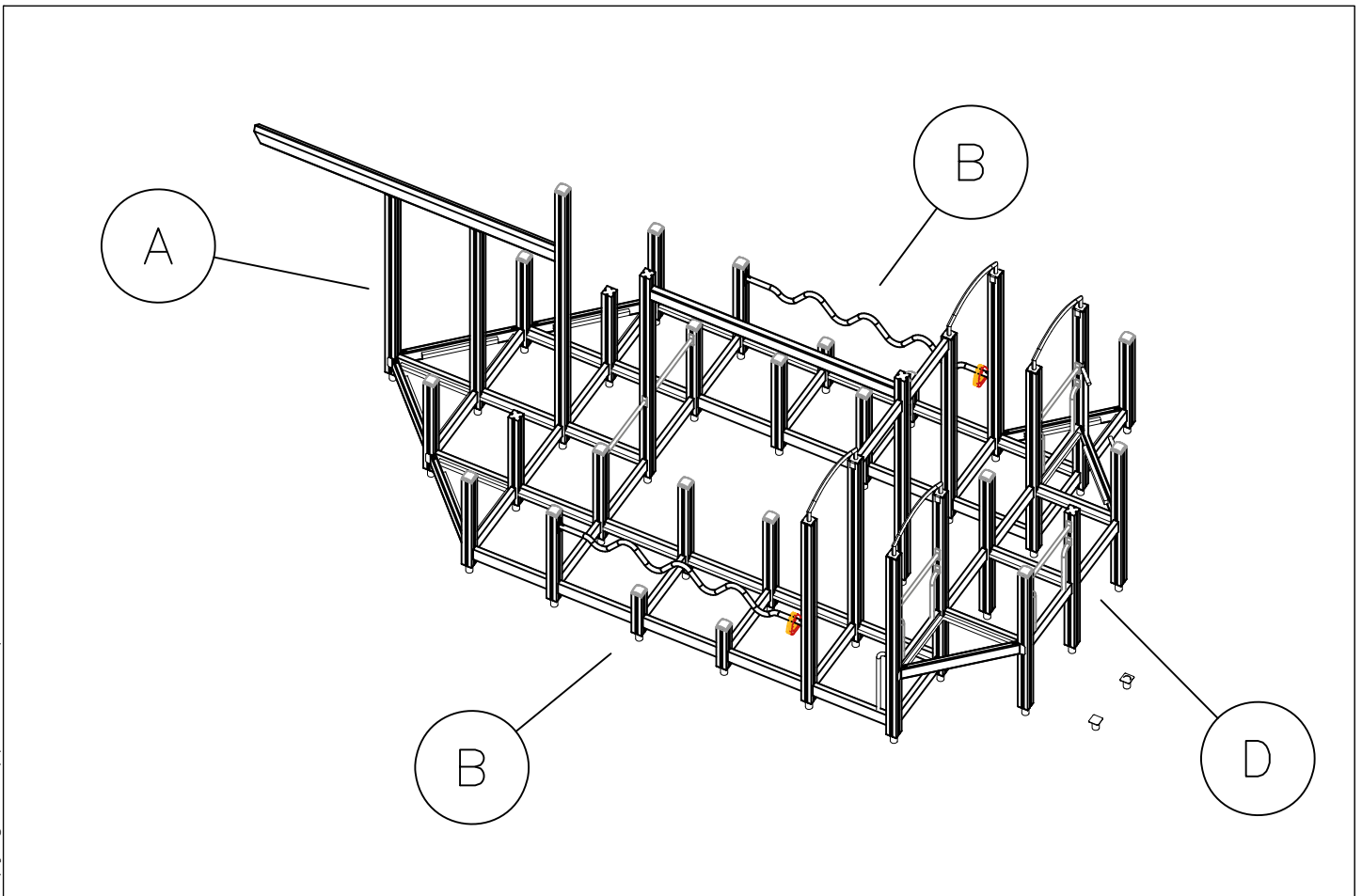
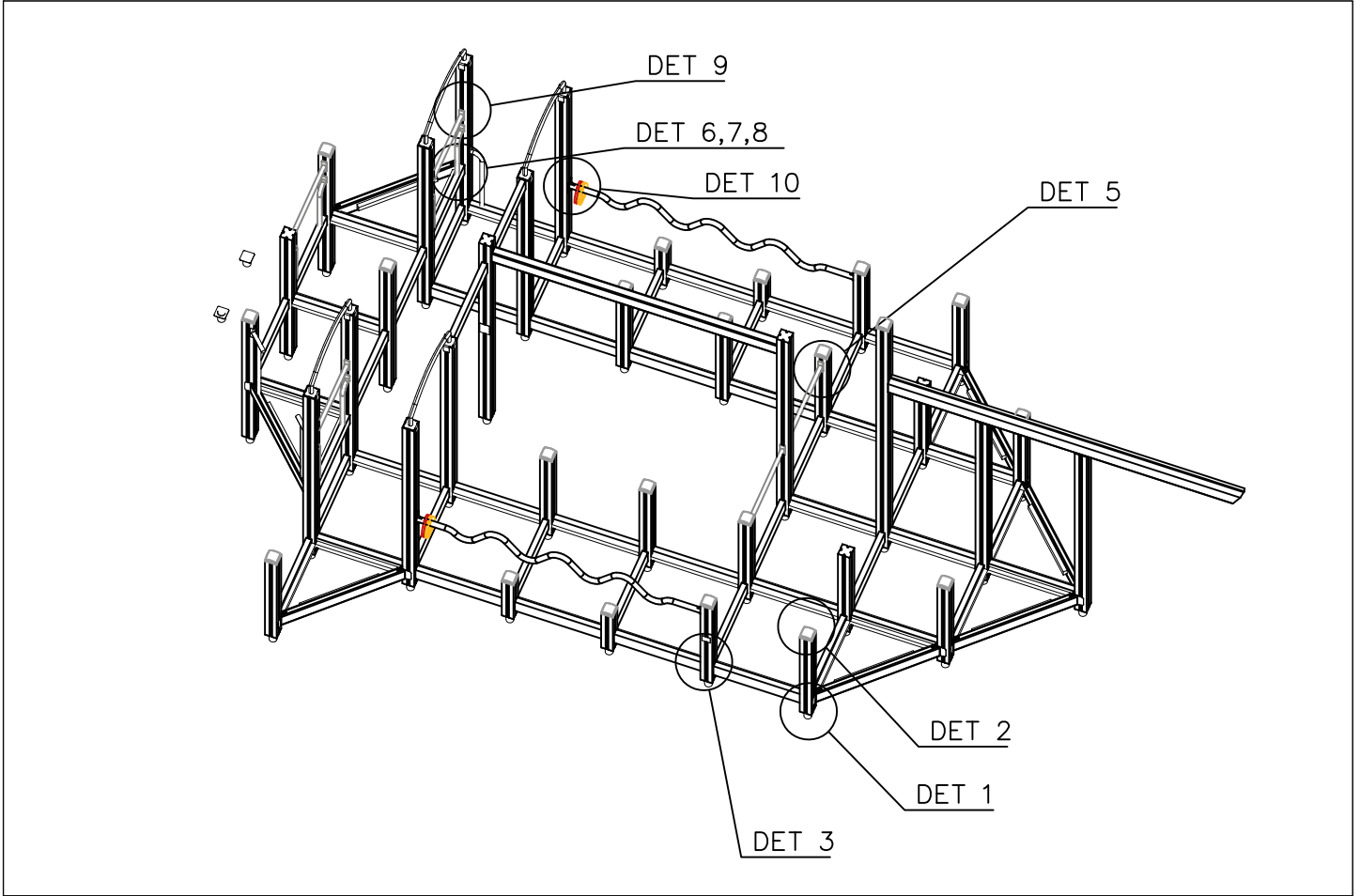
		
		

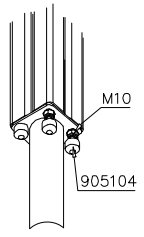
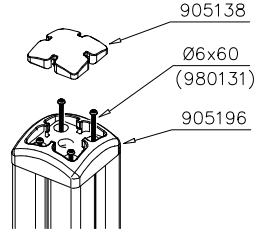
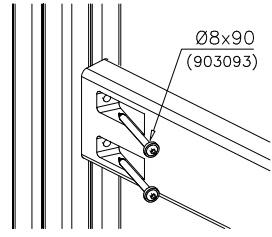
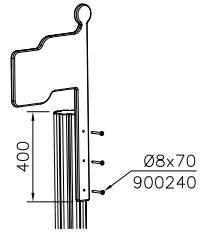
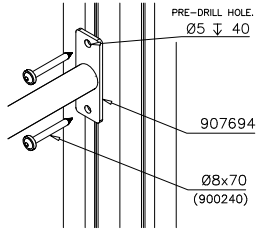
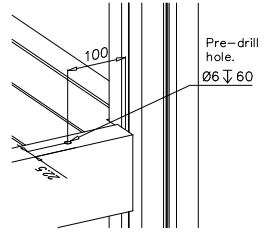
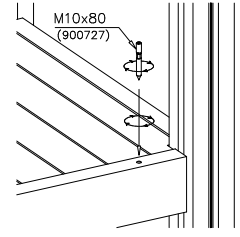
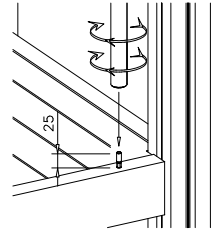
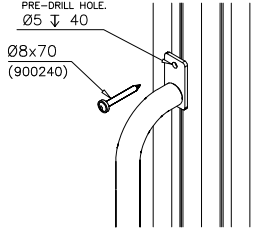
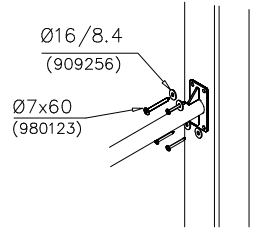
+3600

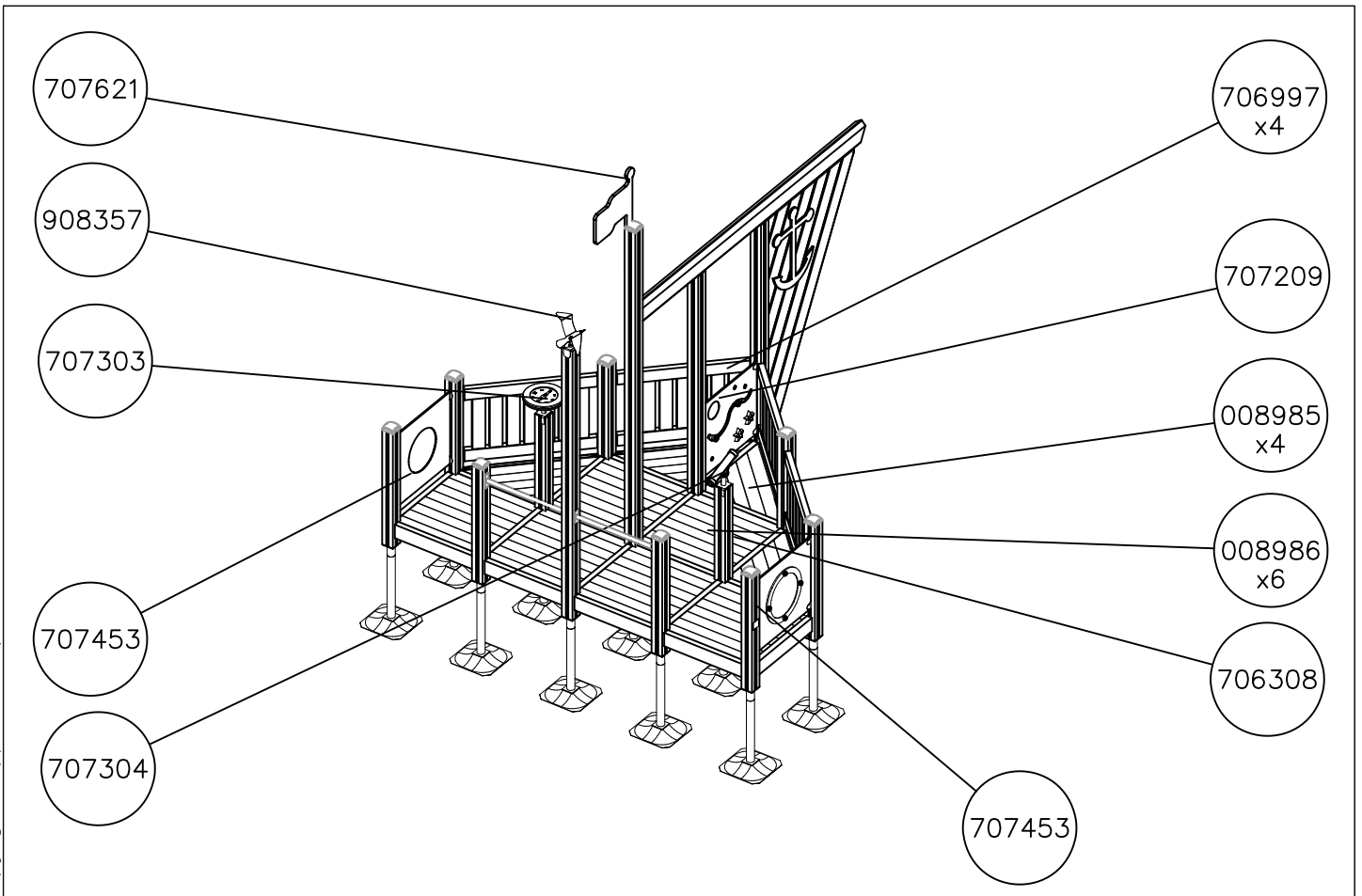
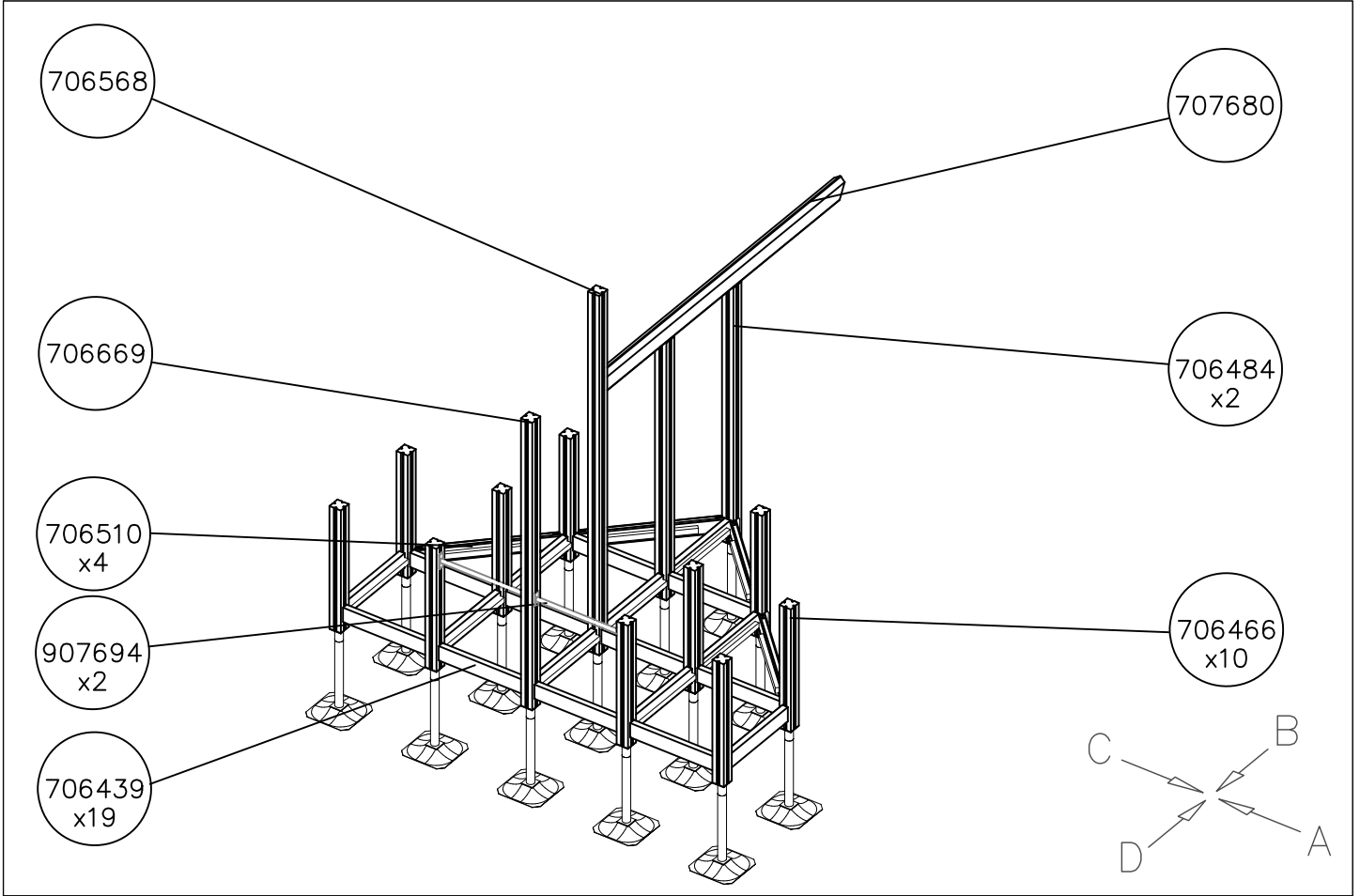
+870

+0



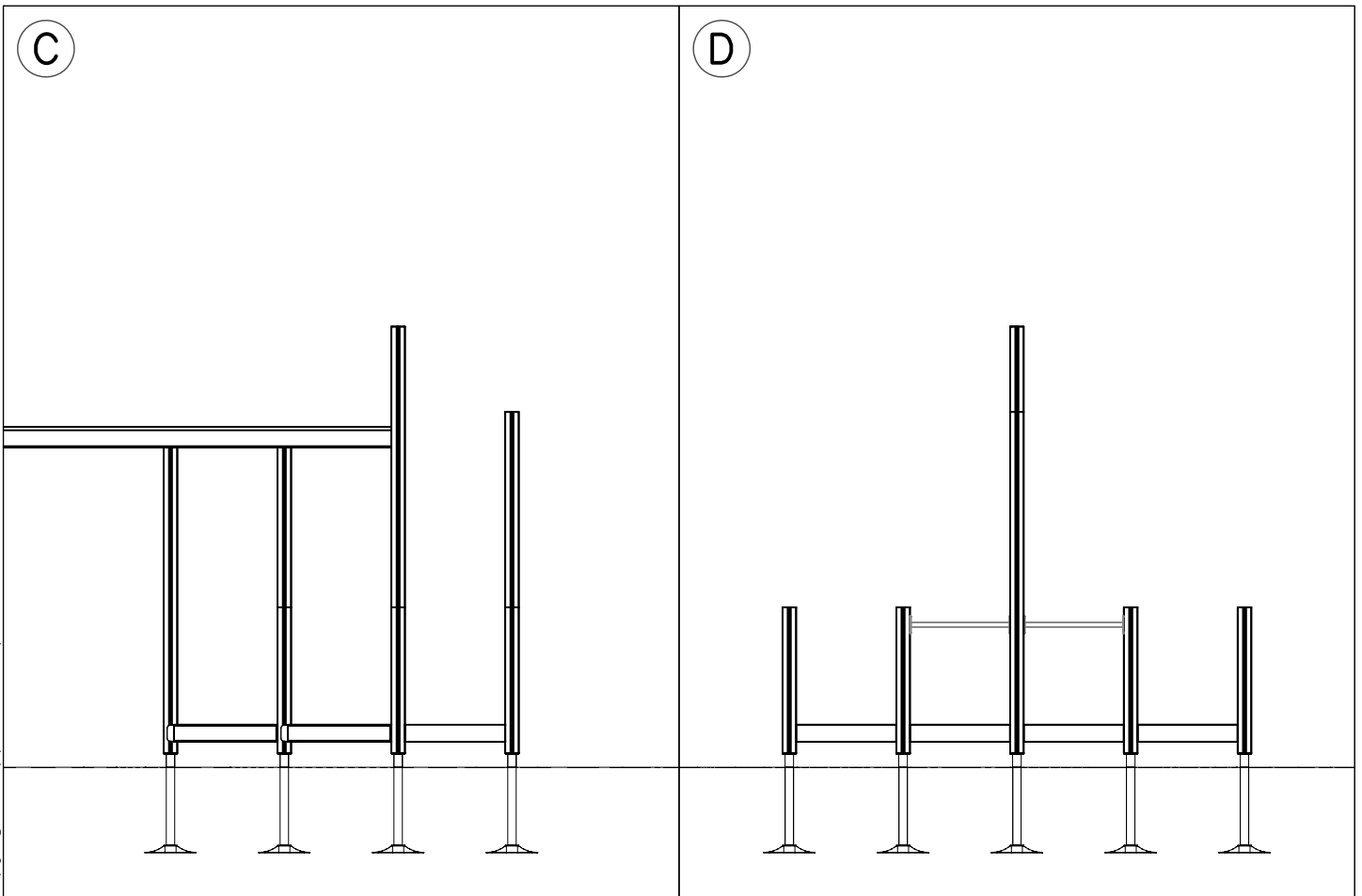
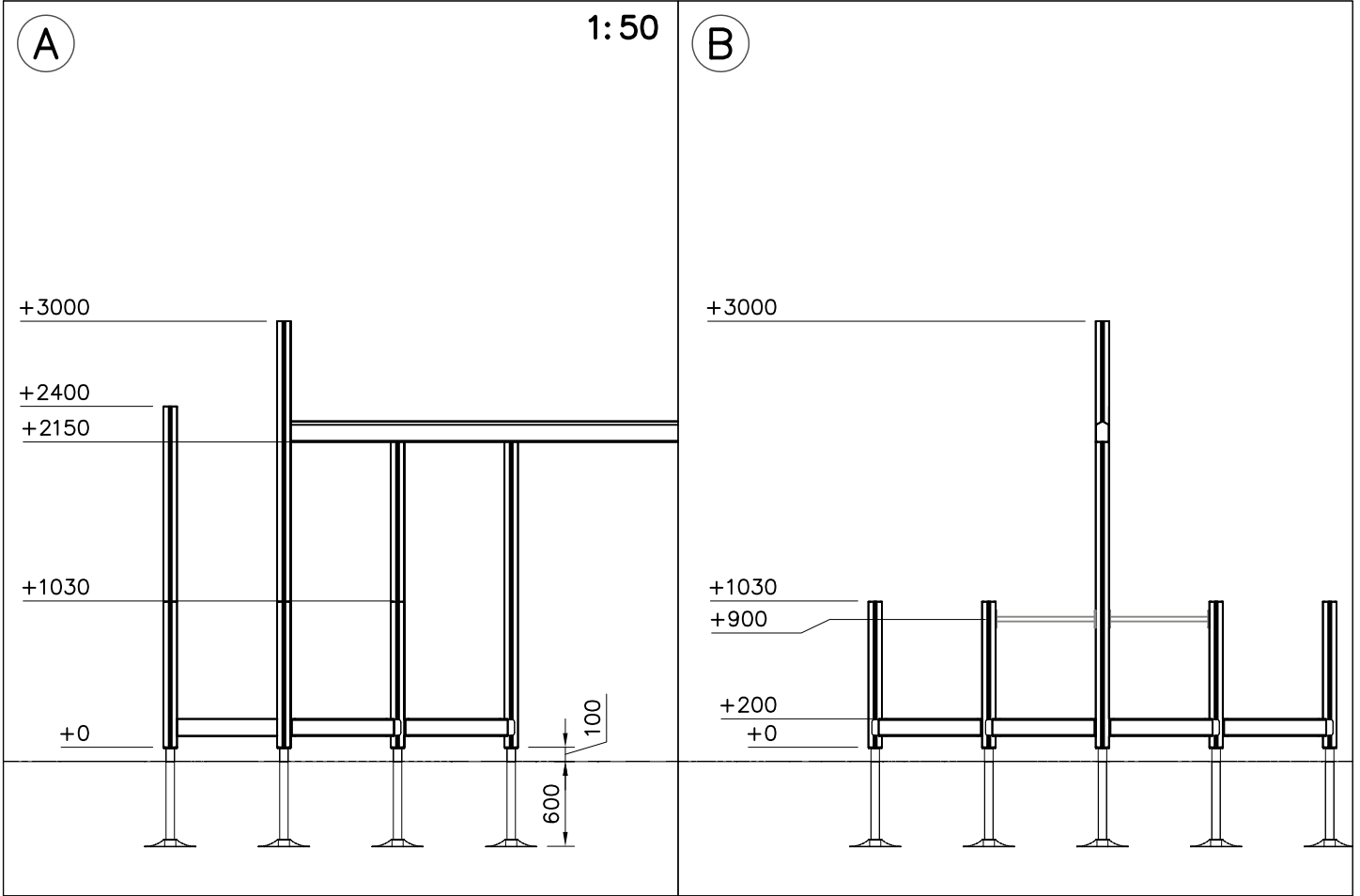


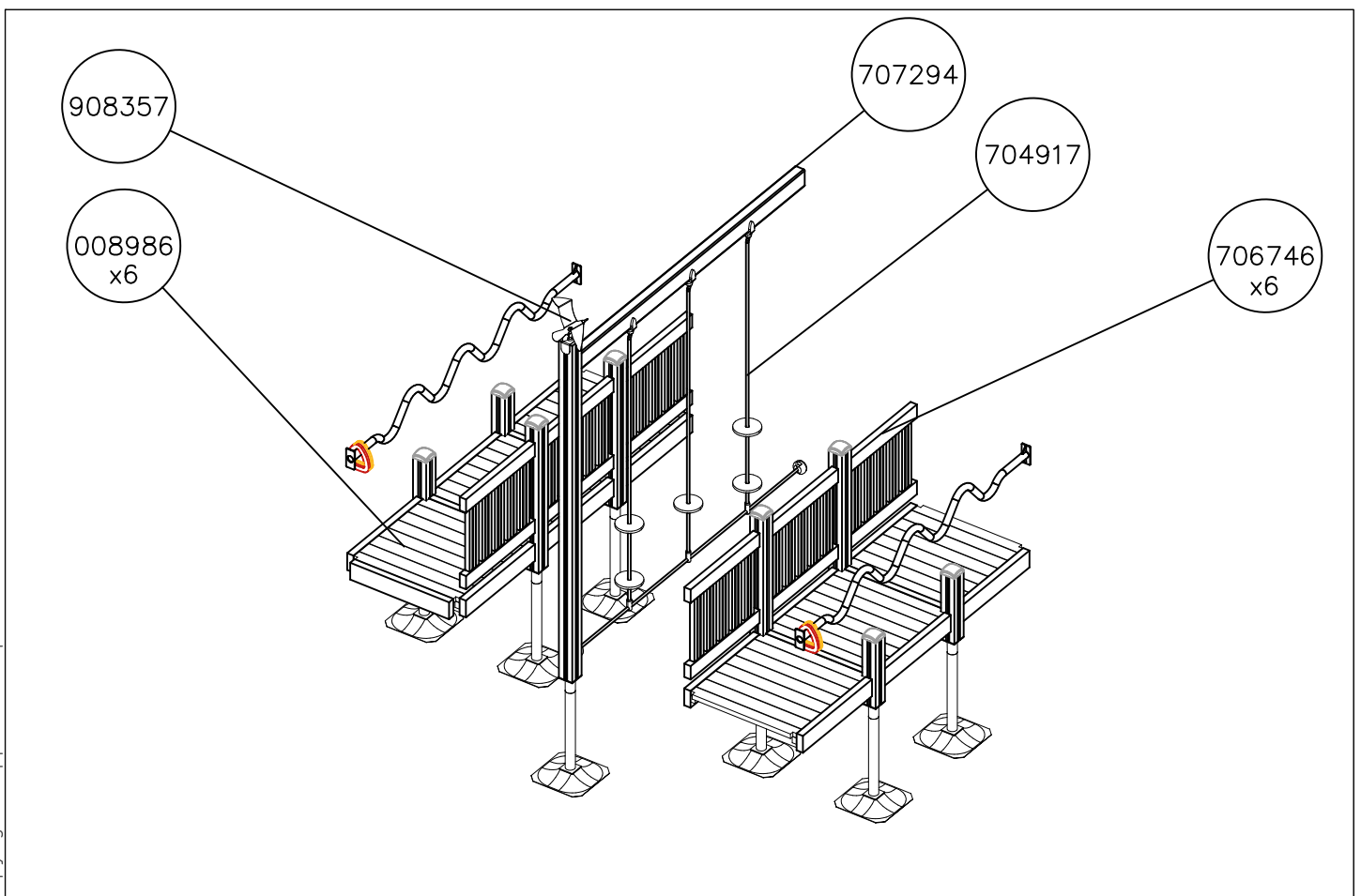
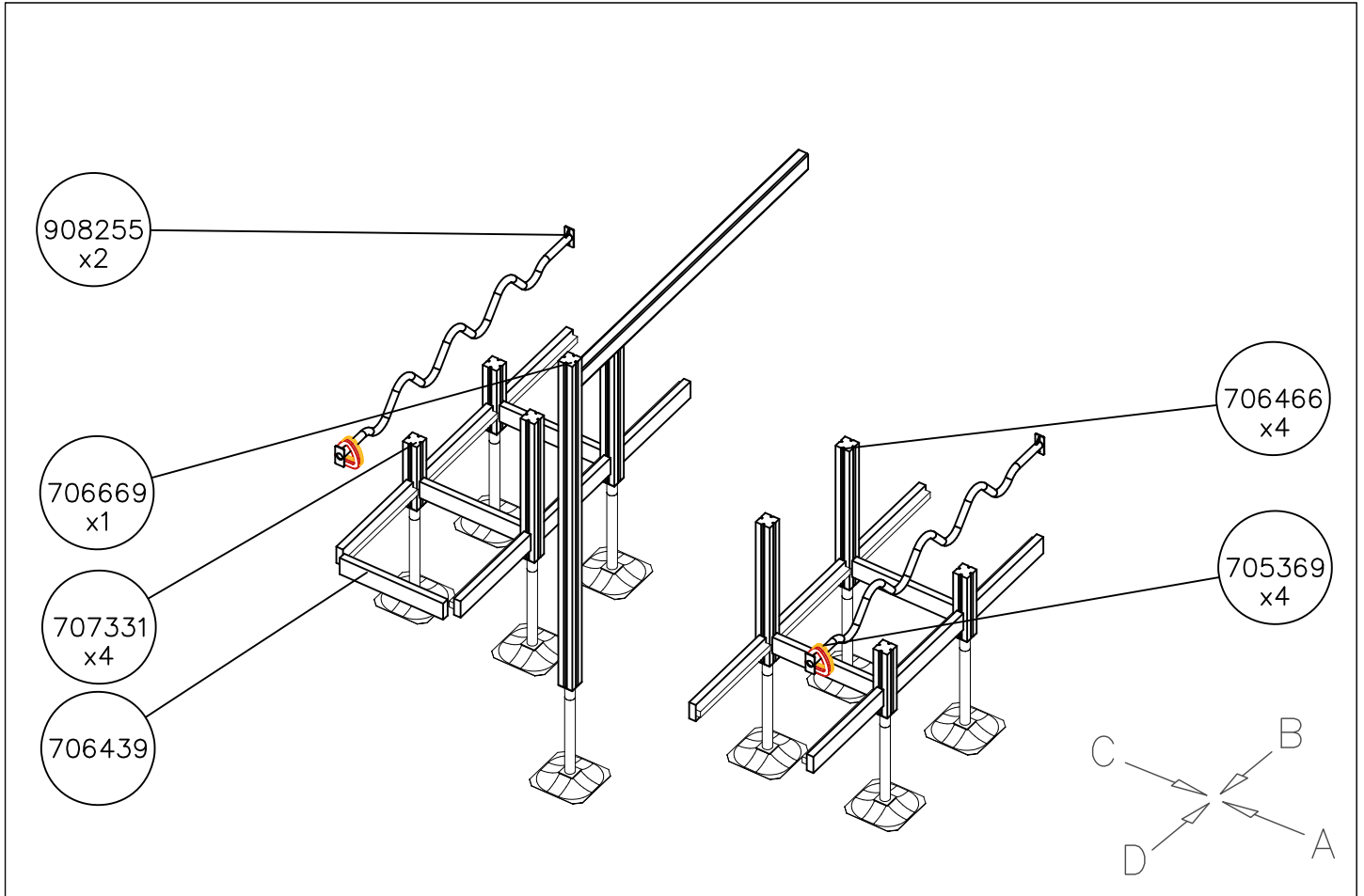
<p>DET 1</p>  <p>M10 905104</p>	<p>DET 2</p>  <p>905138 Ø6x60 (980131) 905196</p>	<p>DET 3</p>  <p>Ø8x90 (903093)</p>	<p>DET 4</p>  <p>400 Ø8x70 900240</p>
<p>DET 5</p>  <p>PRE-DRILL HOLE. Ø5 √ 40 907694 Ø8x70 (900240)</p>	<p>DET 6</p>  <p>100 Pre-drill hole. Ø6 √ 60 25</p>	<p>DET 7</p>  <p>M10x80 (900727)</p>	<p>DET 8</p>  <p>25</p>
<p>DET 9</p>  <p>PRE-DRILL HOLE. Ø5 √ 40 Ø8x70 (900240)</p>	<p>DET 10</p>  <p>Ø16/8.4 (909256) Ø7x60 (980123)</p>		



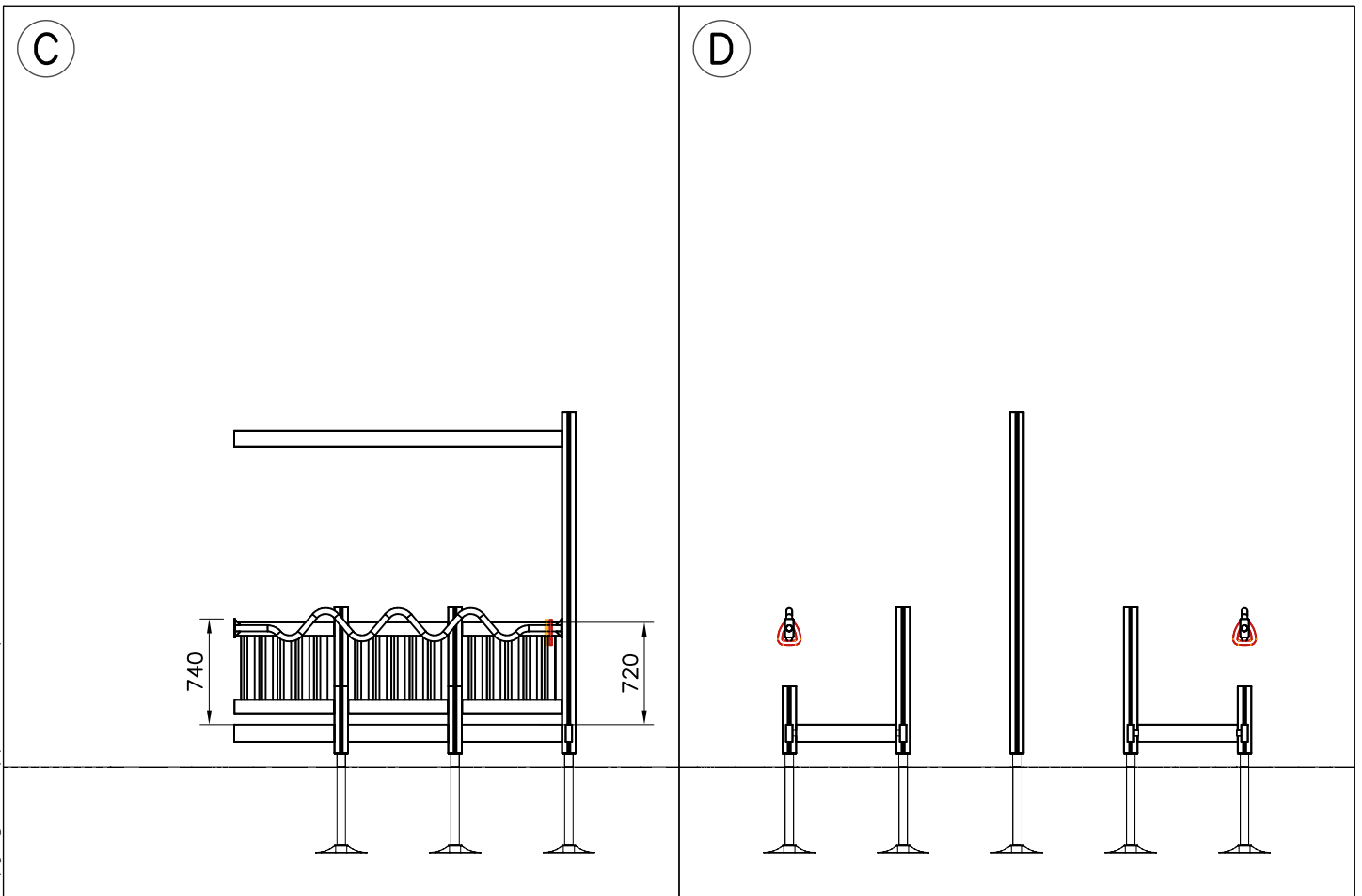
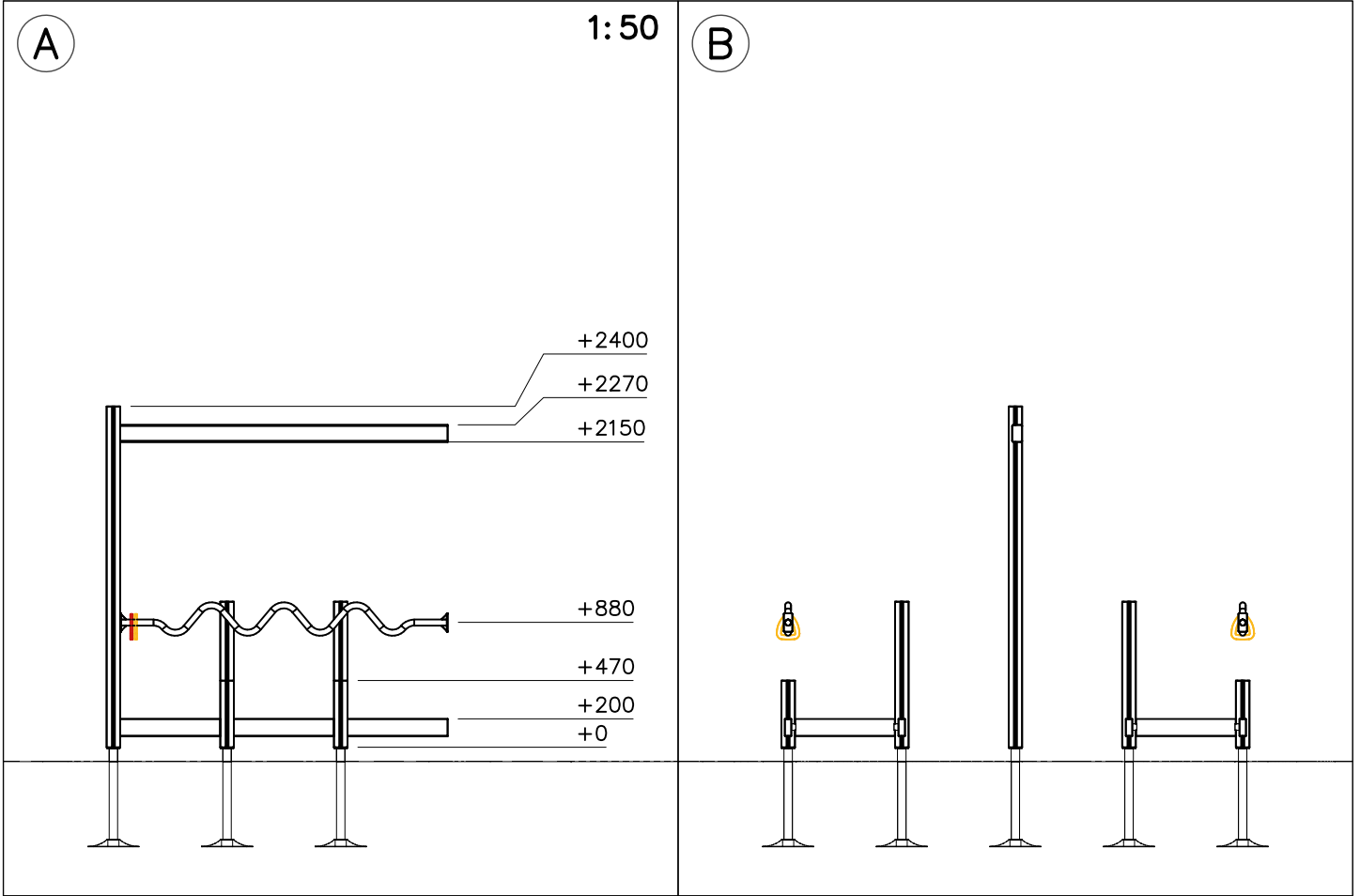
DATE: 7.6.2022

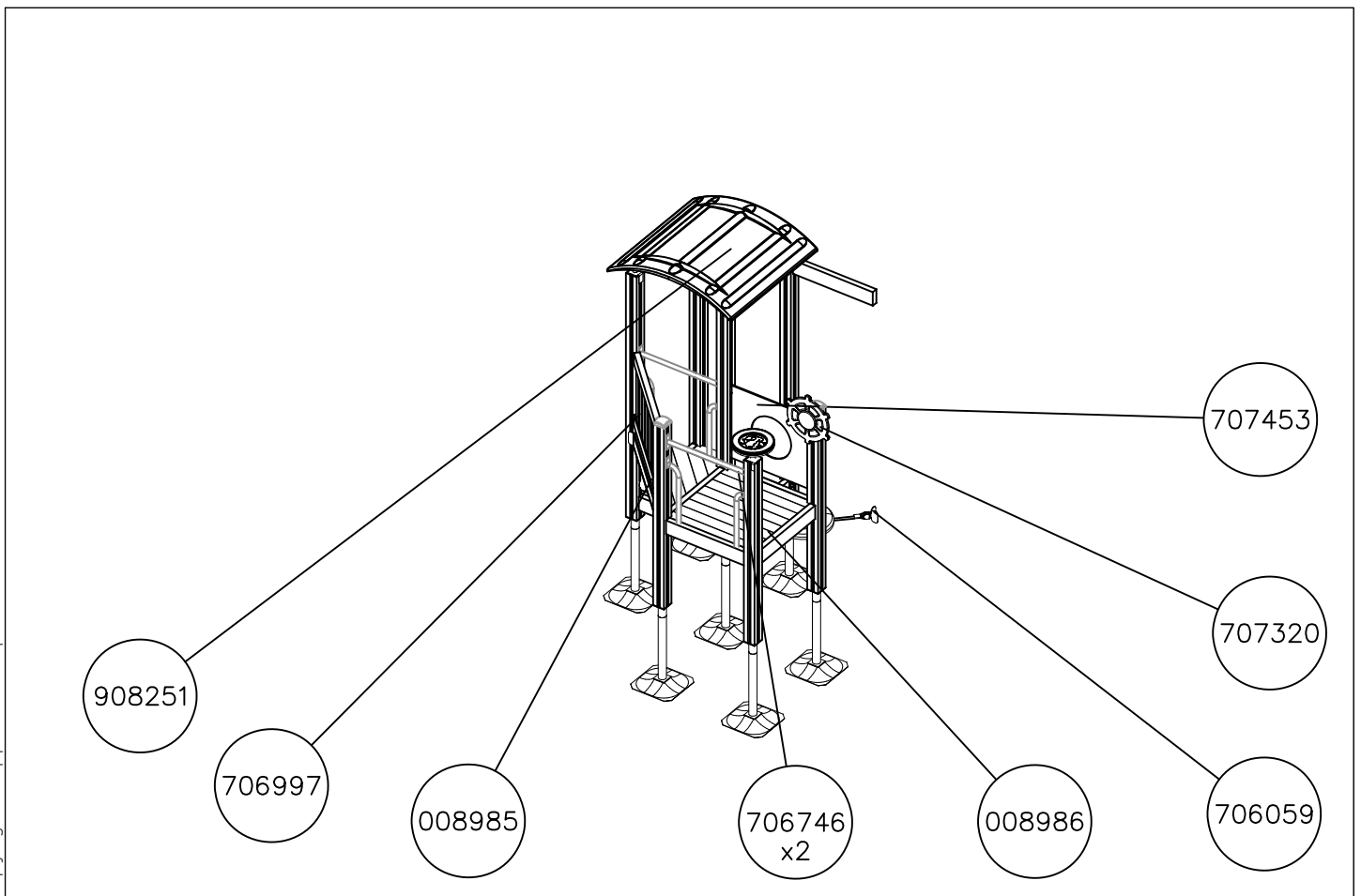
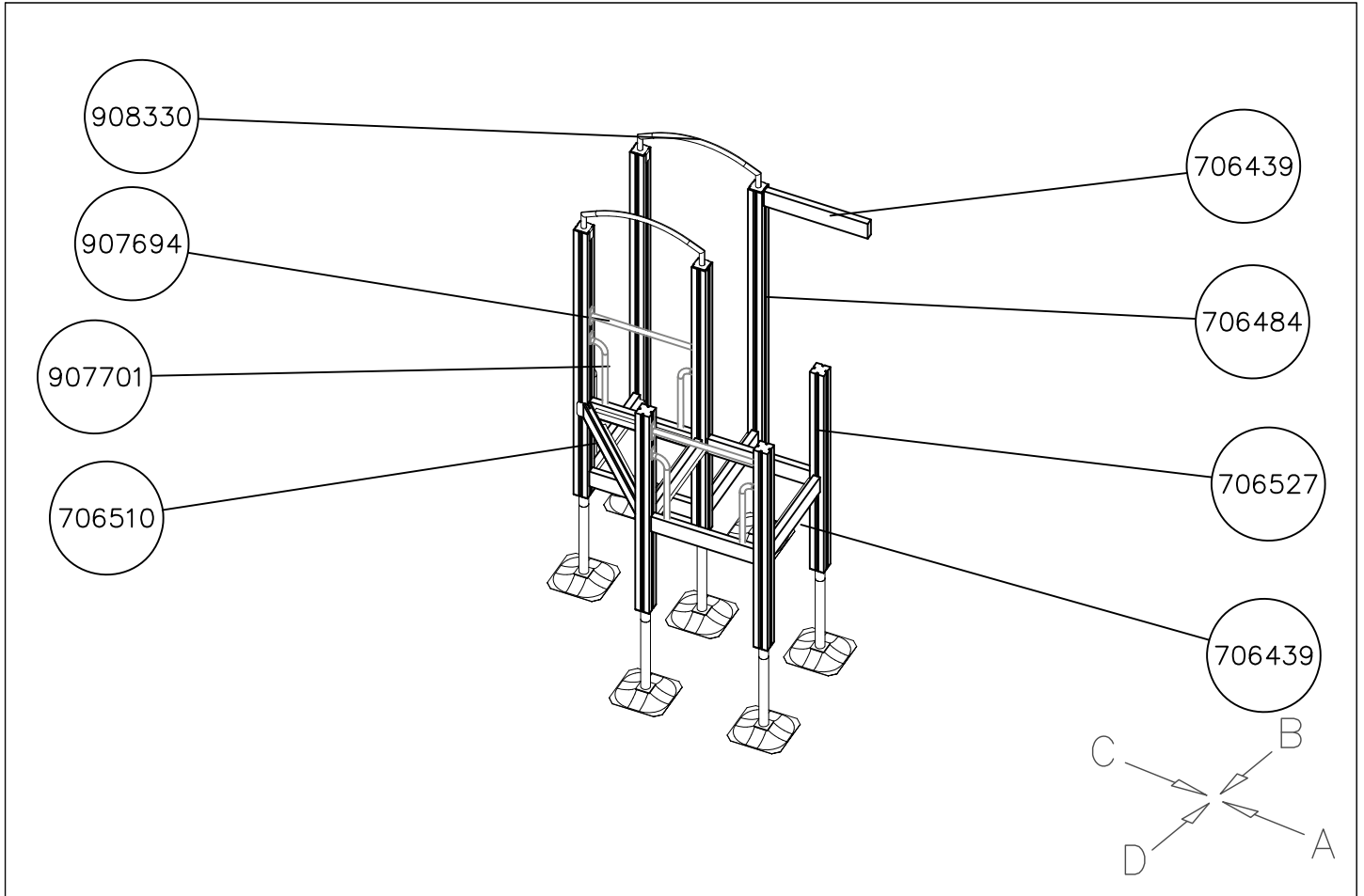
1:50





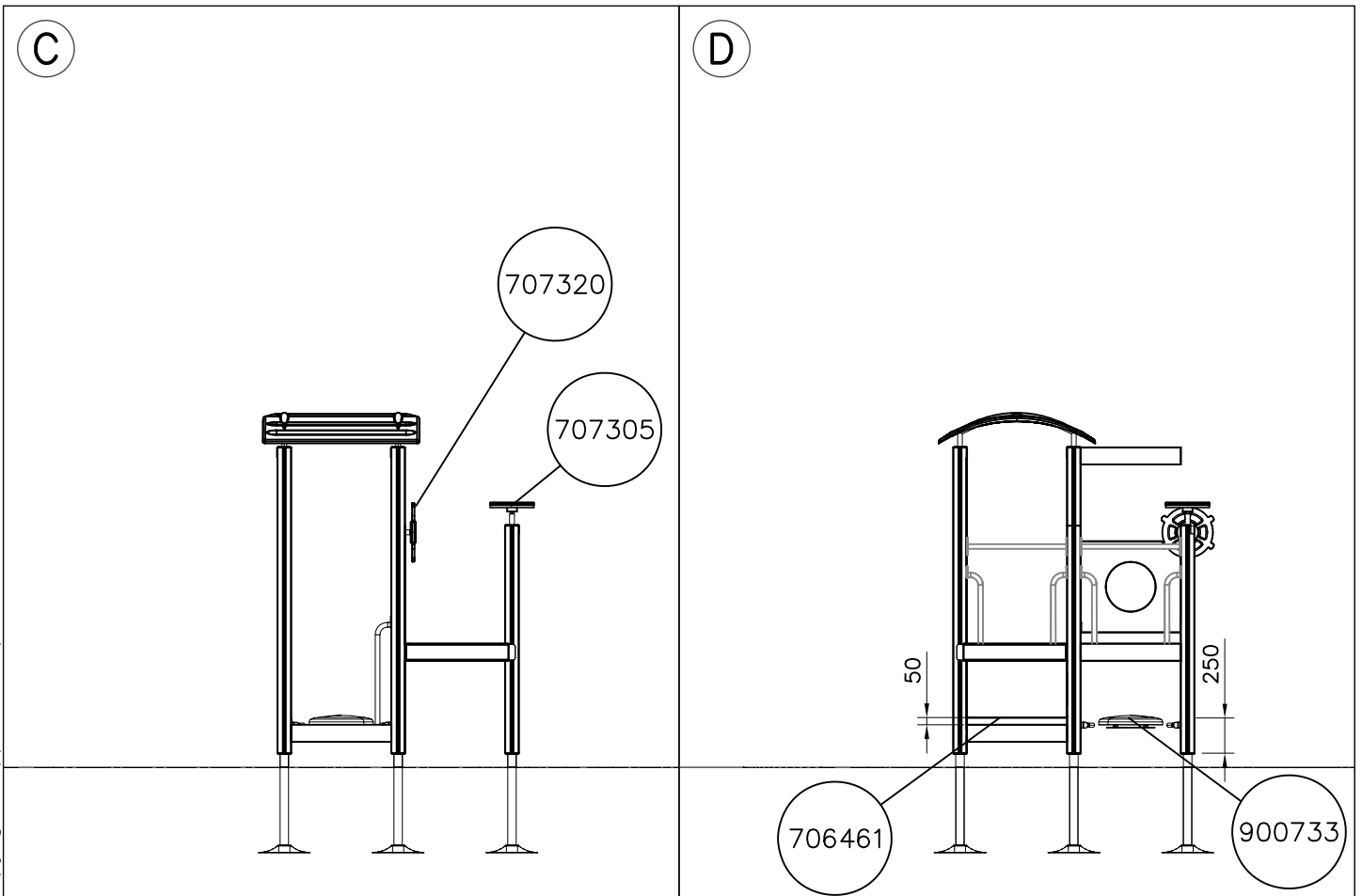
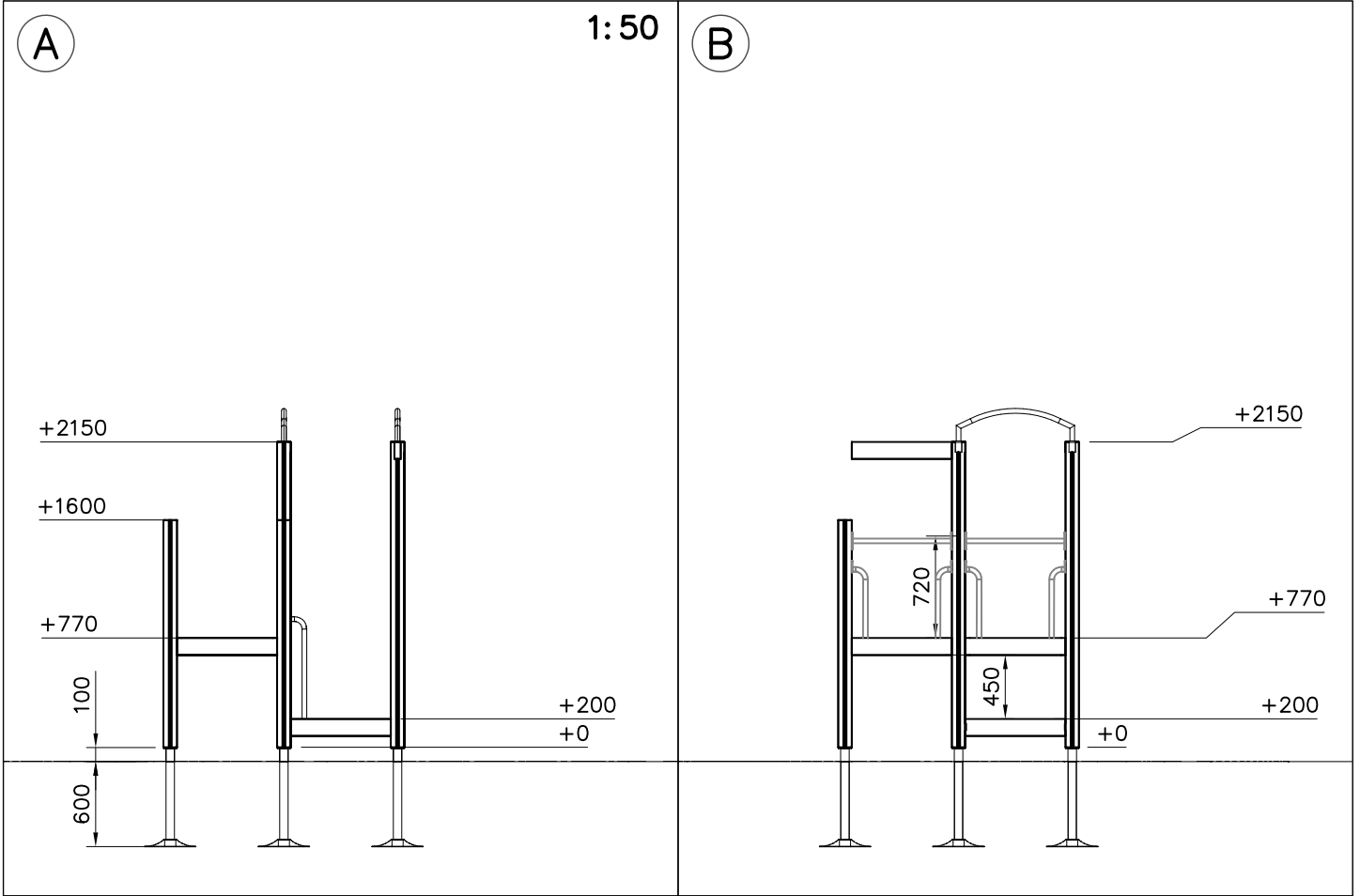
DATE: 7.6.2022

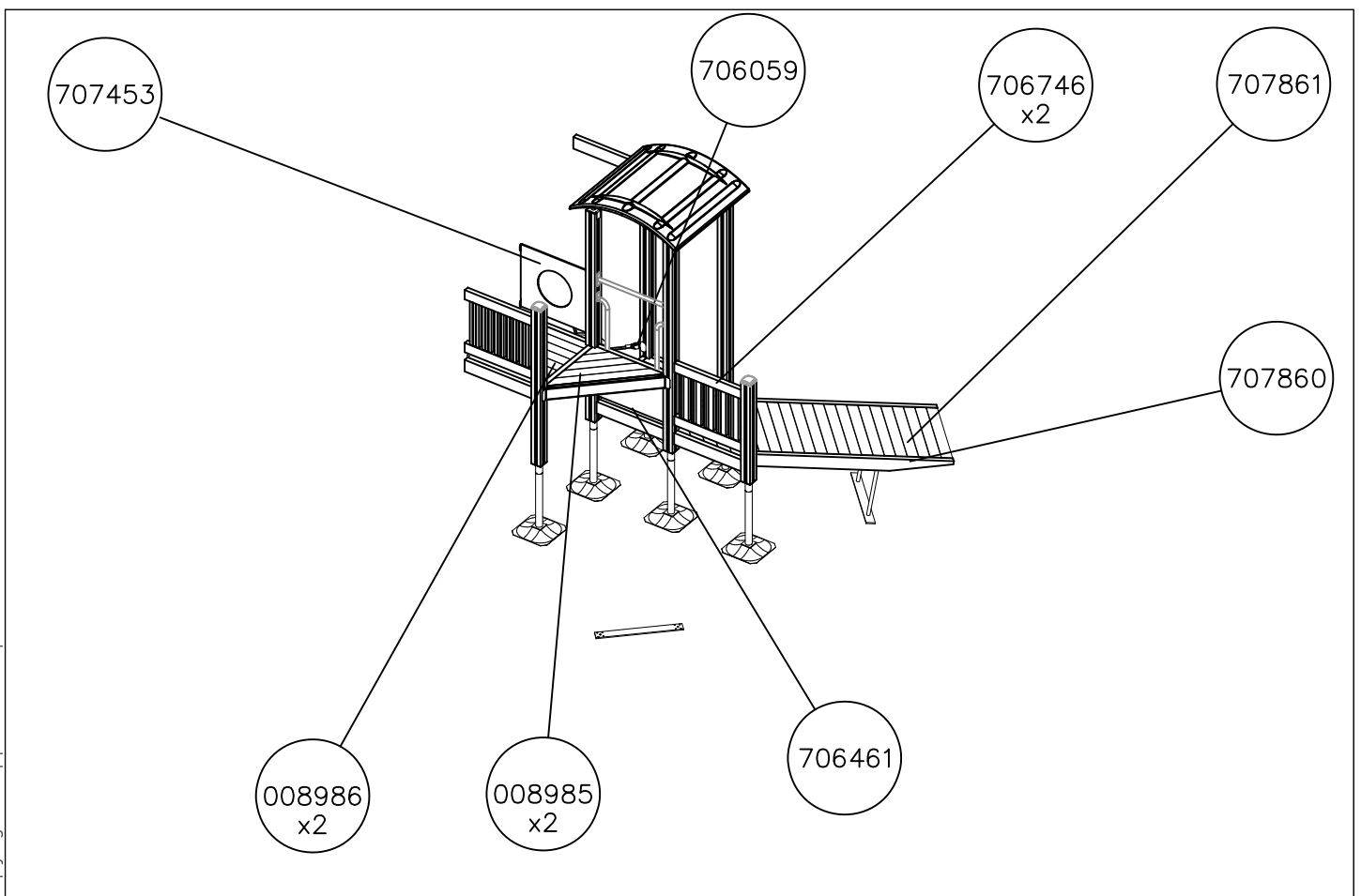
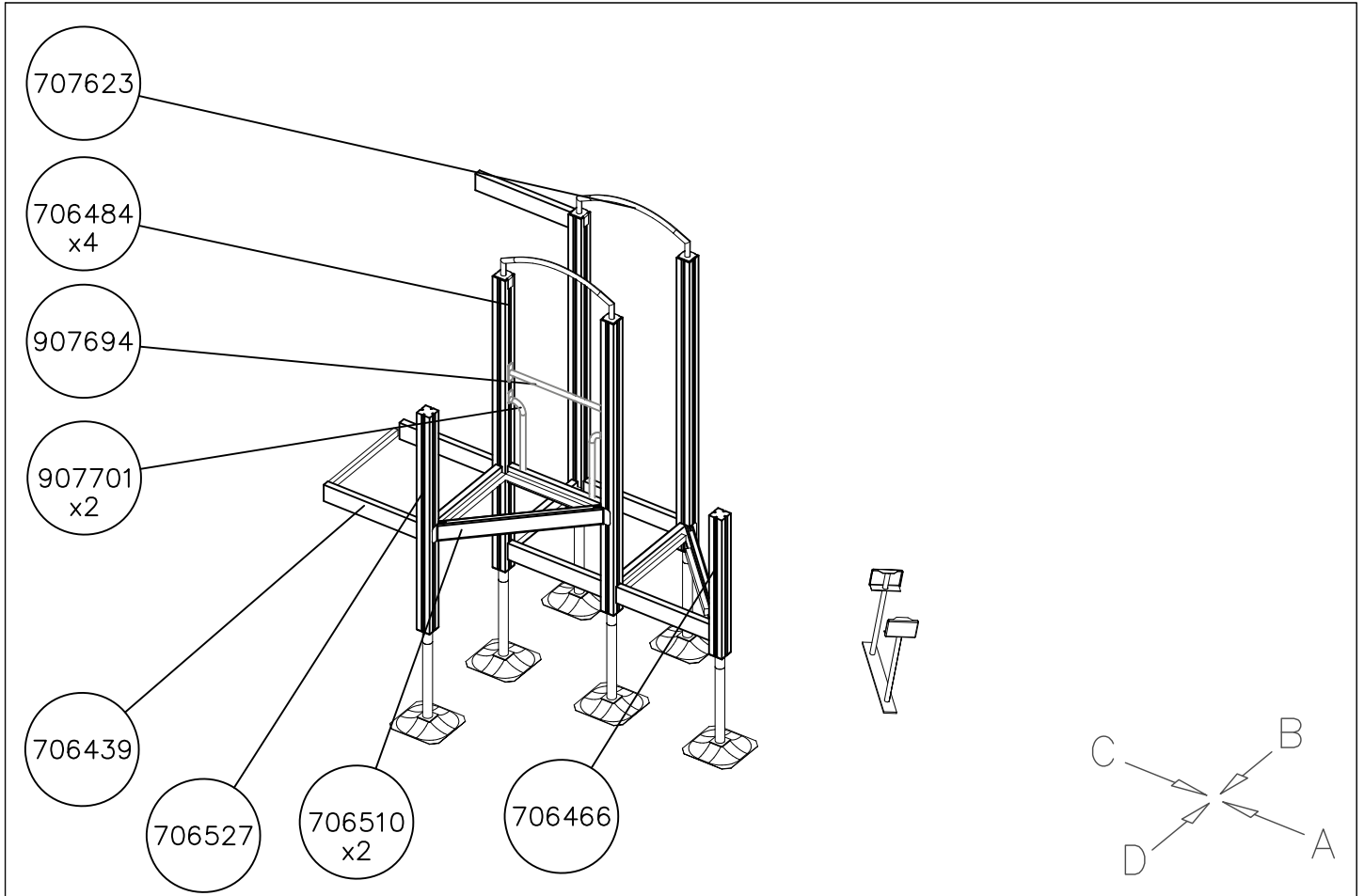




DATE: 7.6.2022

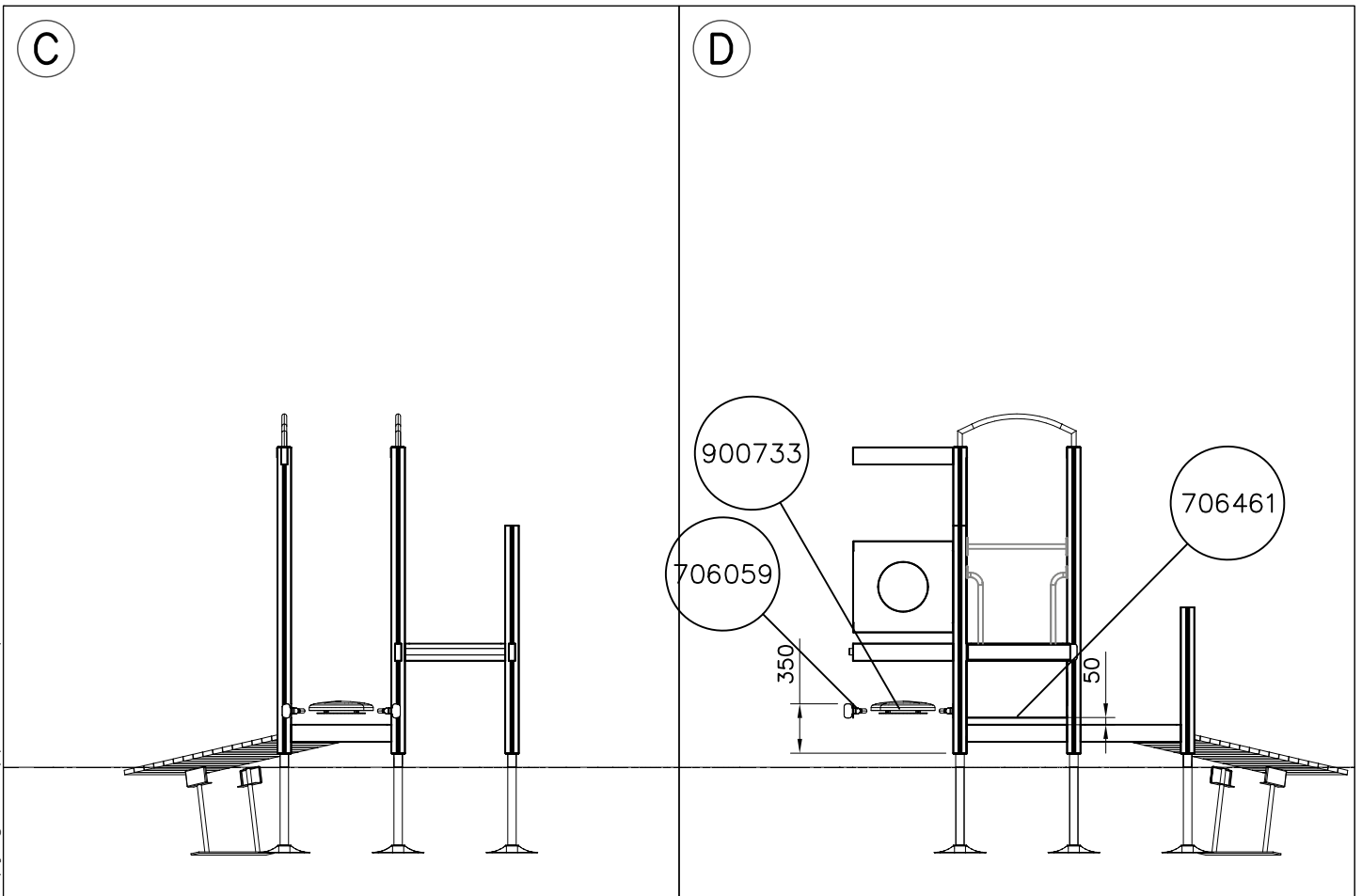
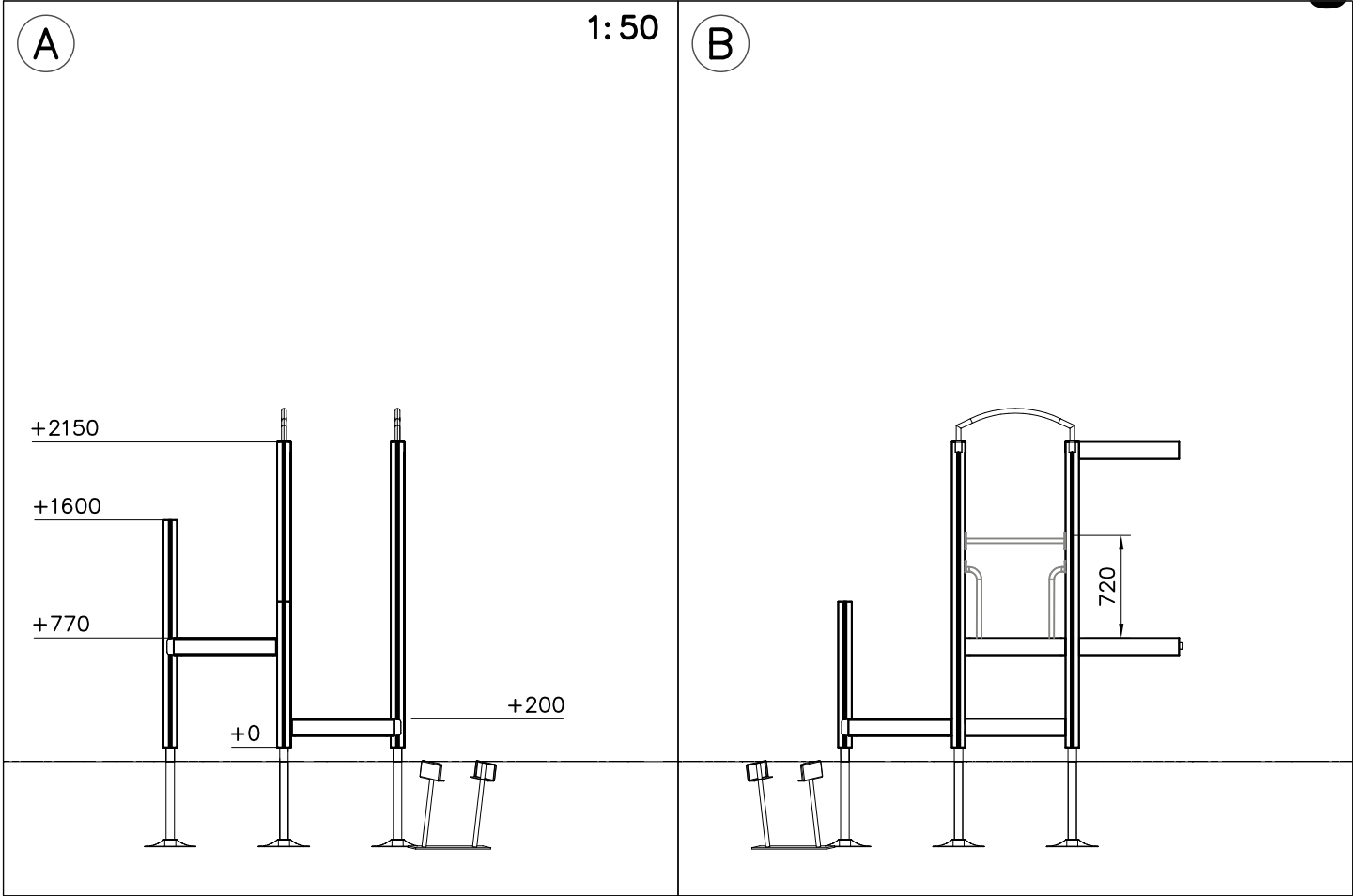
1:50

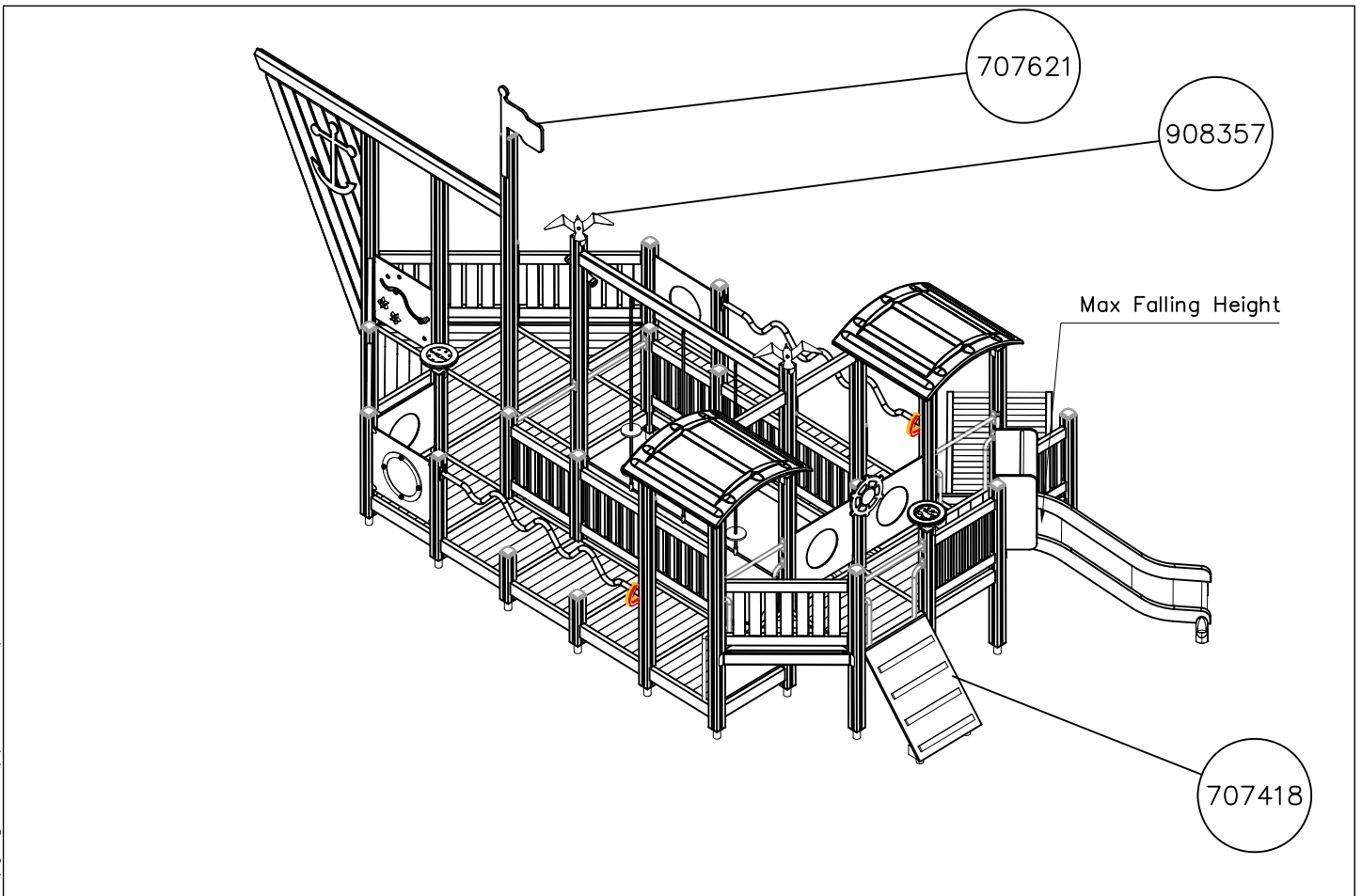
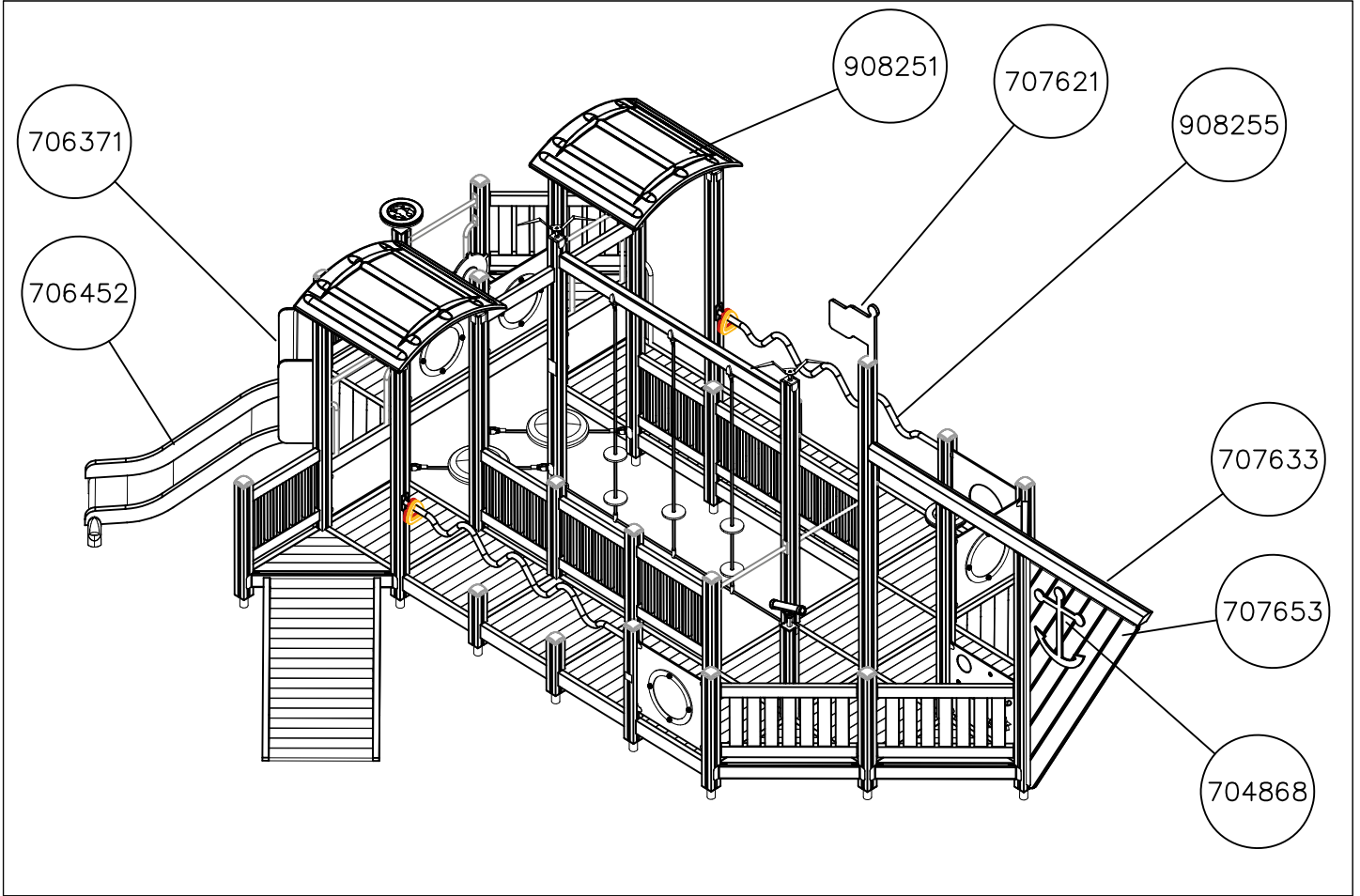




DATE: 7.6.2022

1:50





LAPPSET®
DEEP FOUNDATION

FOOT

DATE: 13.3.2014

4A



LAPPSET®
BETON FOUNDATION

FOOT

DATE: 27.10.2015

1(1)

② 905104	PCS		PCS
	4		
 M10	PCS		PCS



905104


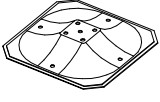
LAPPSET® DEEP FOUNDATION

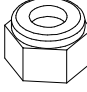

FOOT

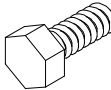
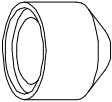
DATE: 15.5.2018

1(1)

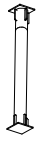


①	909511	PCS	②	909519	PCS
		1			1
	90x90x650			50x380x380	

③	909637	PCS	④	909638	PCS
		4			8
	M10			Ø20/10.5	

⑤	909639	PCS	⑥	905104	PCS
		4			4
	M10x25			M10	

OPTION FOOT

①	911155	PCS			PCS
		1			
	90x90x650				



① 903176	PCS	② 909850	PCS
	4		4
		M8x25	
③ 909256	PCS	④ 909633	PCS
	8		4
Ø16/8.4x1.6		M8	
⑤ 980123	PCS		PCS
	4		
Ø7x60			
	PCS		PCS

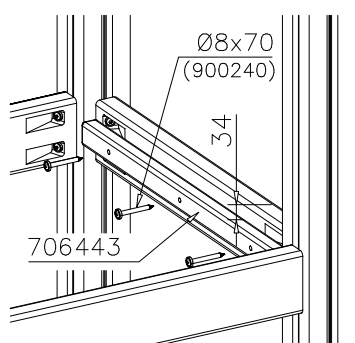






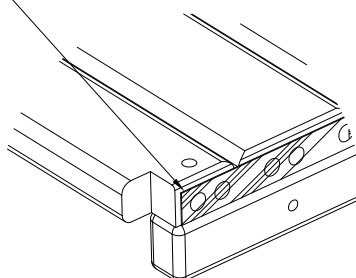
① 008986	PCS	② 706443	PCS
	1		2
750x750		32x45x702	
③ 900240	PCS	④ 980101	PCS
	6		8
Ø8x70		Ø4.5x70	
	PCS		PCS
	PCS		PCS
	PCS		PCS

DET 1

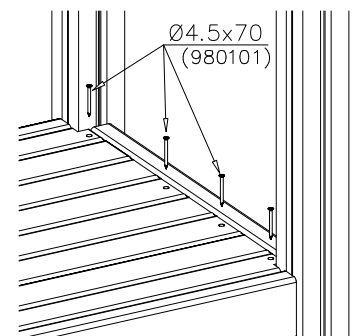


DET 2

Naulanauha kannatinlistan puolelle.
Nail list to the bottom.



DET 3







BOOM OPTIONS		
706510	706510-602	DARK BROWN
	706510-603	LIGHT BROWN
	706510-604	LIGHT GRAY
45x120x1030		

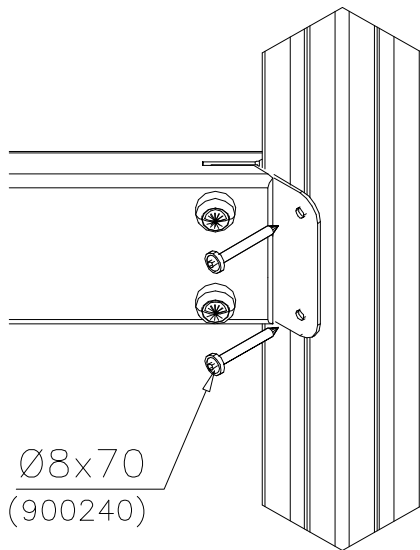
DET 1



DET 2 M8x60
 (909866)



DET 3



LAPPSET

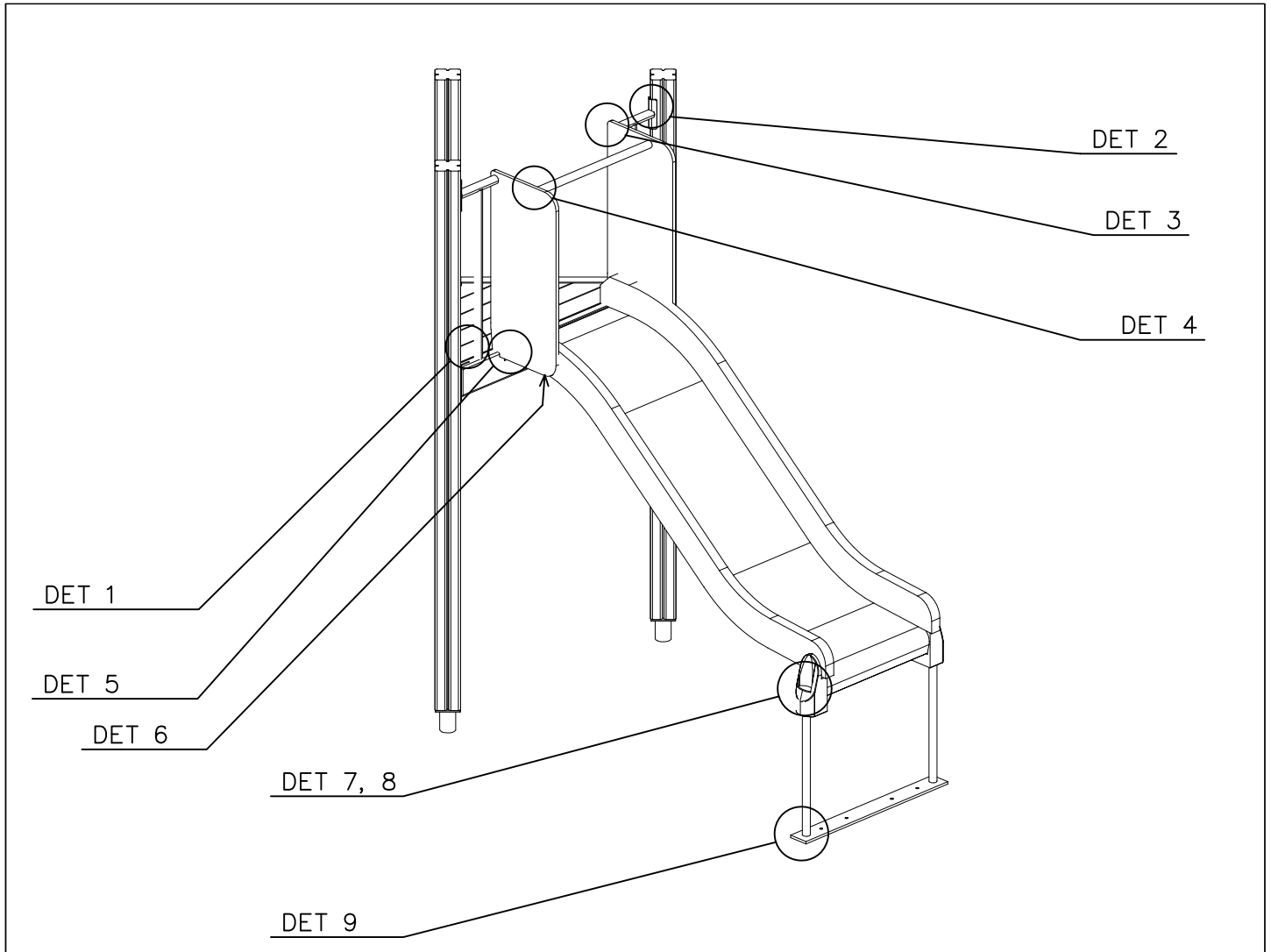
DEEP FOUNDATION

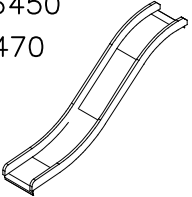
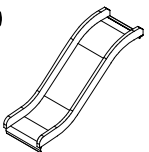
SLIDE WOOD

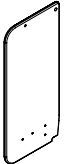
DATE: 22.5.2015

1(1)





SLIDE OPTIONS			
706450 +1470 	706450-602 706450-603 706450-604	DARK BROWN LIGHT BROWN LIGHT GRAY	
706452 +870 	706452-602 706452-603 706452-604	DARK BROWN LIGHT BROWN LIGHT GRAY	

WALL OPTIONS			
706371 	706371-701 706371-702 706371-703 706371-704 706371-705 706371-706	BLUE YELLOW LIME DRARK GRAY LIGHT GRAY RED	706371-707 706371-708 GREEN FUXIA

LAPPSET

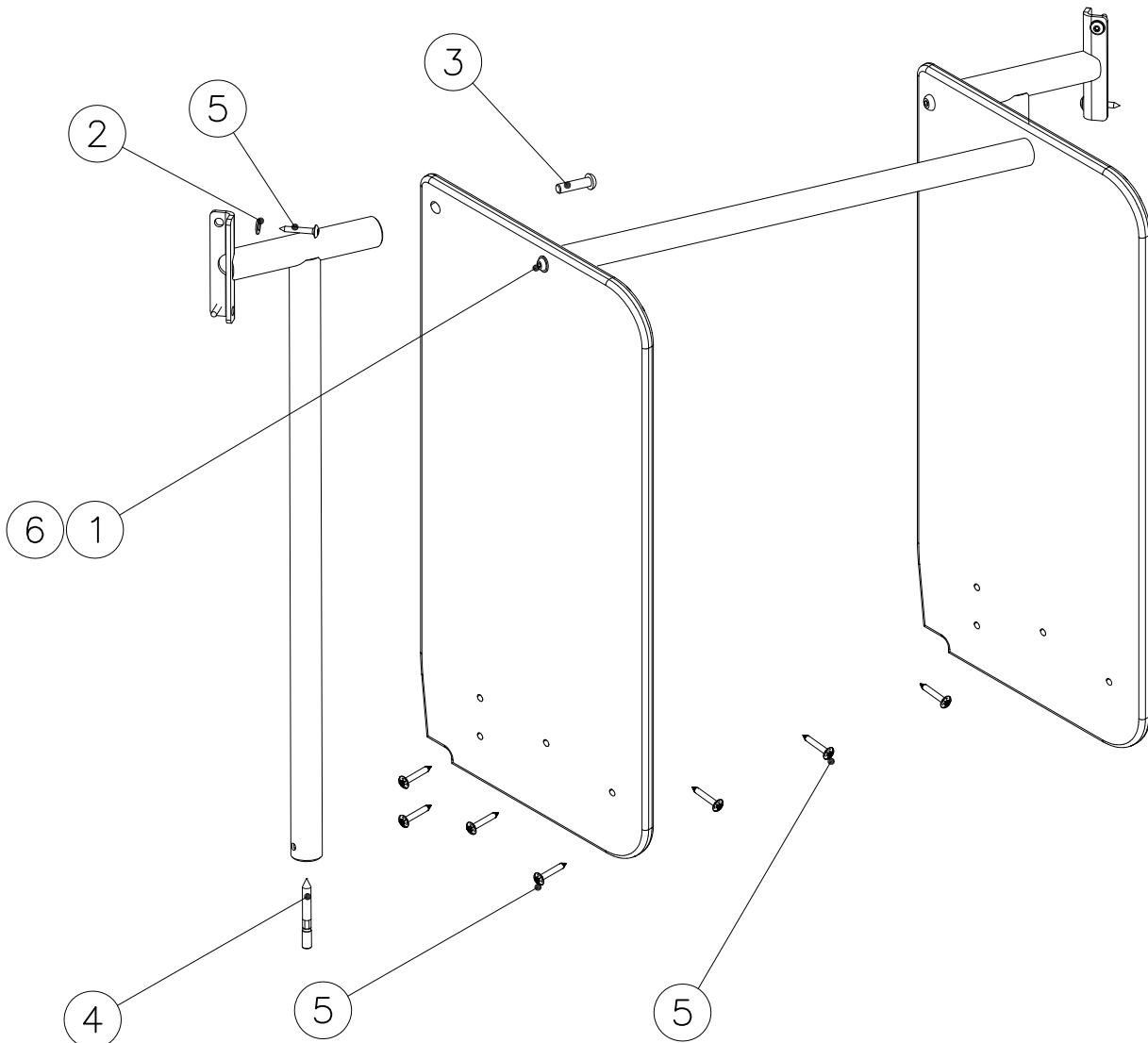
80MD

80MD

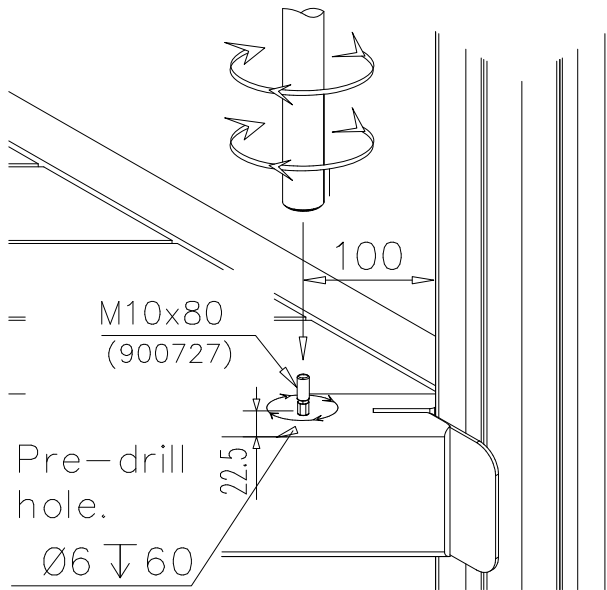
DATE: 21.9.2016

2(5)

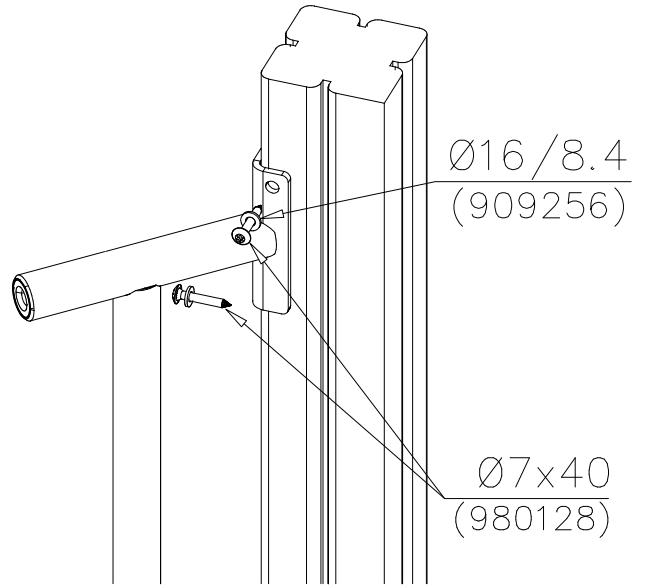
○ SLIDE +1470 PCS 1	○ SLIDE +870 PCS 1	○ 706371 15x345x750 PCS 2	○ 907692 PCS 2	○ 901868 Ø30x598 PCS 1	① 909876 M8x40 PCS 2
② 909256 Ø16/8.4 PCS 4	③ 907727 M10x40 PCS 2	④ 900727 M10x80 PCS 2	⑤ 980128 Ø7x40 PCS 15	⑥ 999561 GLUE 4101 ergo 10 g 10g PCS 1	



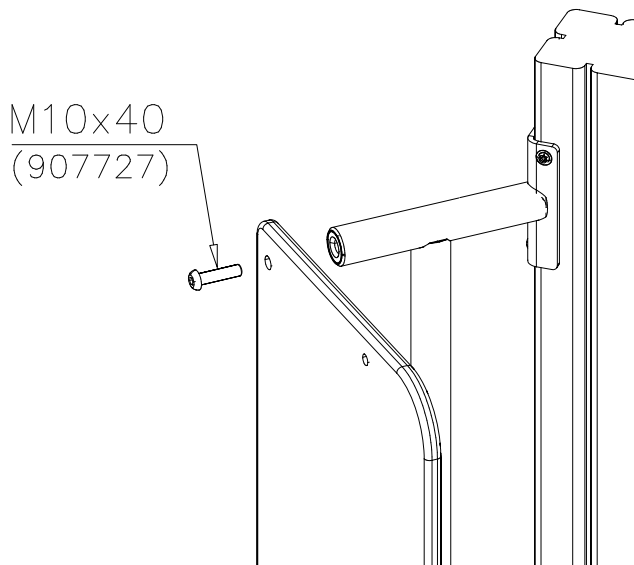
DET 1



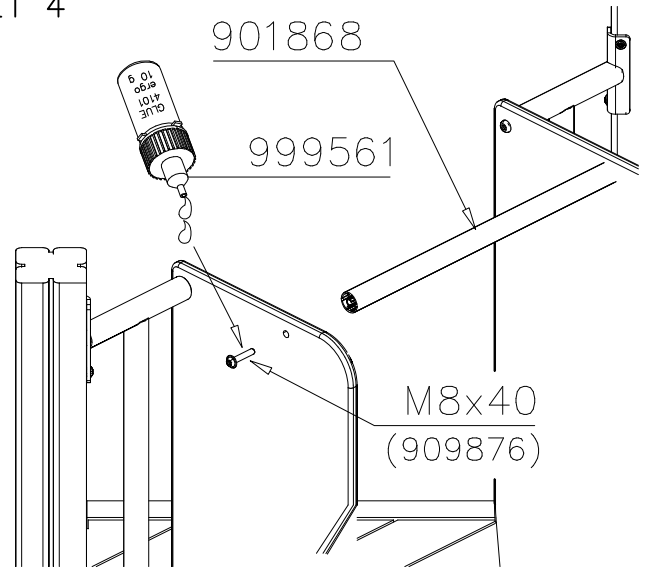
DET 2



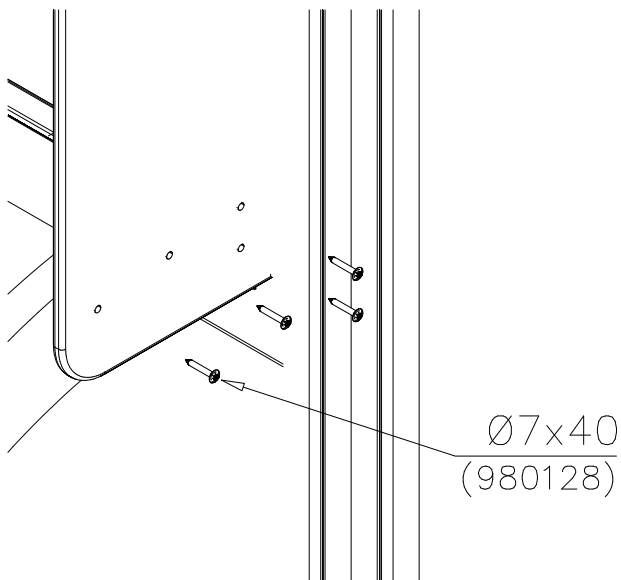
DET 3



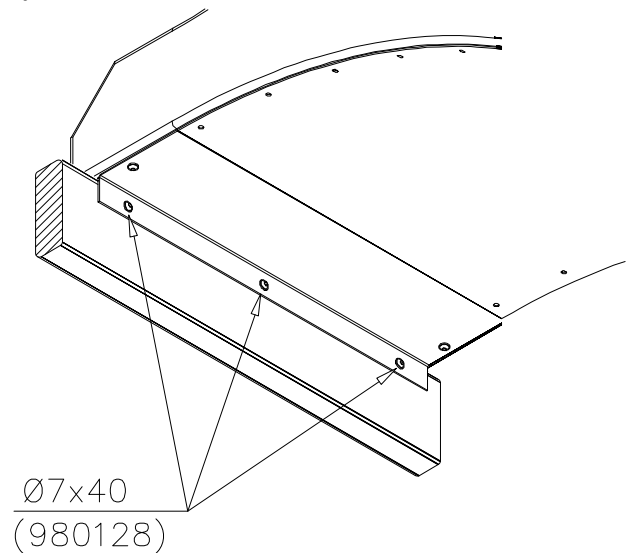
DET 4



DET 5



DET 6

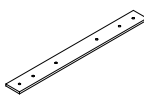
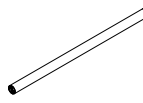


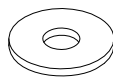
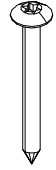


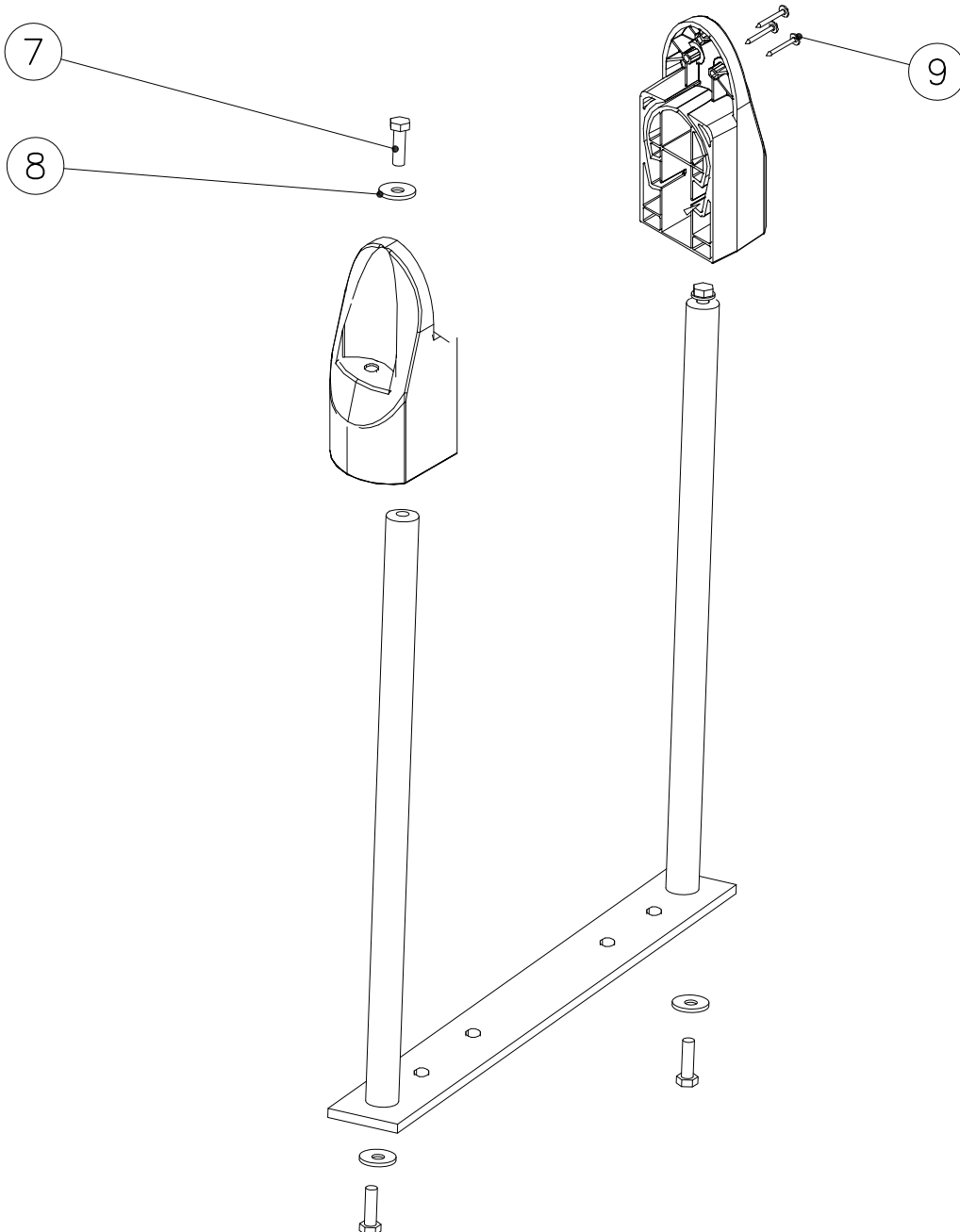
LAPPSET

DEEP FOUNDATION

DATE: 21.9.2016

4(5)

○ 707133	PCS	○ 901868	PCS	○ 901879	PCS	⑦ 909210	PCS	⑧ 905051	PCS	⑨ 980128	PCS
	1		2		2		4		4		6
10x80x745		Ø30x598				M8x40		Ø24/8.4		Ø7x40	



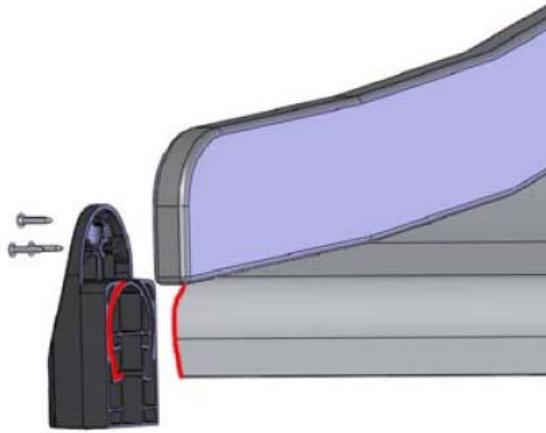
LAPPSET

DEEP FOUNDATION

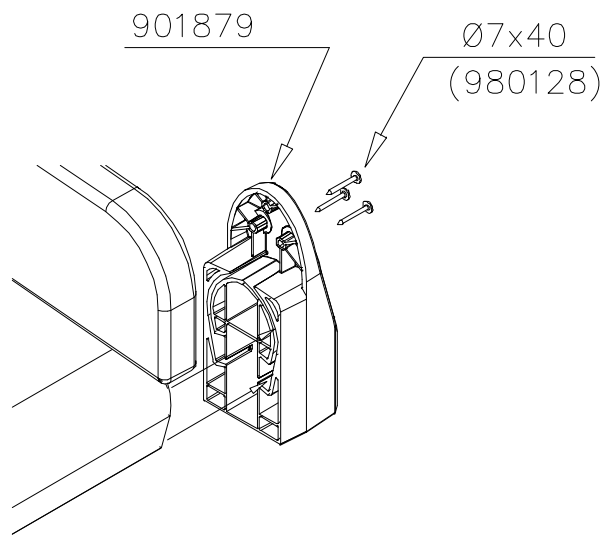
DATE: 21.9.2016

5(5)

DET 7



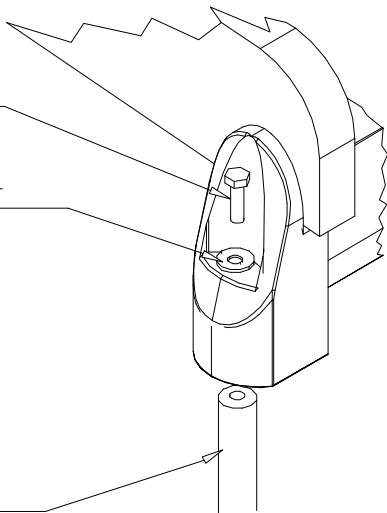
Insert sheet metal IN to the plastic cover.



DET 8

M8x40
(909210)
Ø24/8.4
(905051)

901868



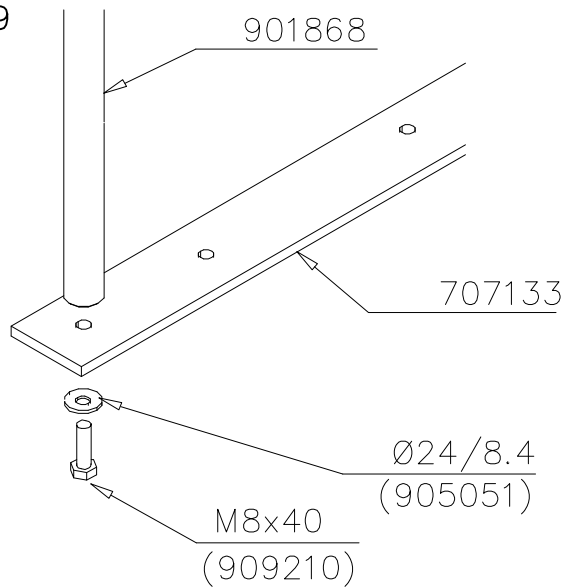
DET 9

901868

707133

Ø24/8.4
(905051)

M8x40
(909210)

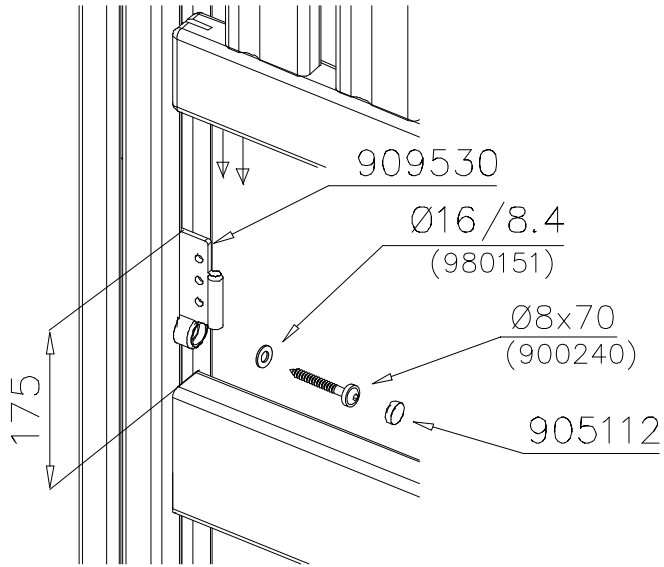


① 706746	PCS	② 909530	PCS
	1		4
45x640x701		55.9x127.5	
③ 900240	PCS	④ 980151	PCS
	4		4
Ø8x70		Ø16/8.4x1.6	
⑤ 905112	PCS		PCS
	4		
Ø22			
	PCS		PCS

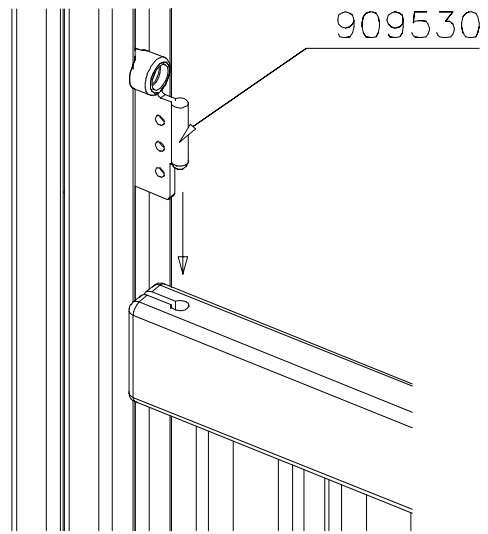


WALL OPTIONS		
706746	706746-605	DARK GRAY
	706746-606	GRAY
	706746-607	RED
	706746-608	BLUE
	706746-609	GREEN
	706746-610	YELLOW
	706746-611	LIME
	706746-612	FUXIA

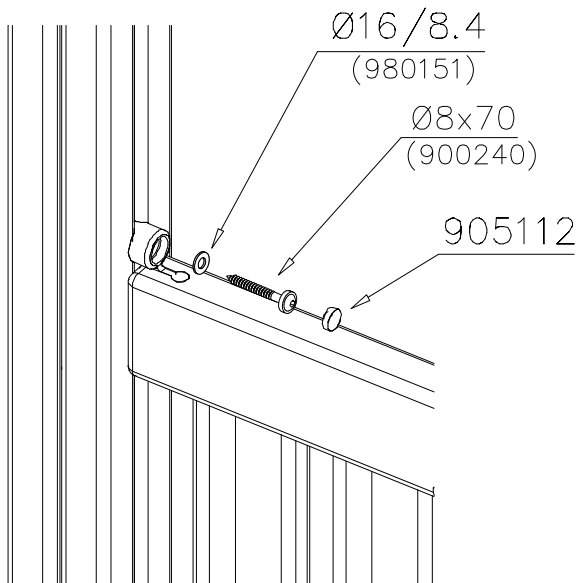
DET 1

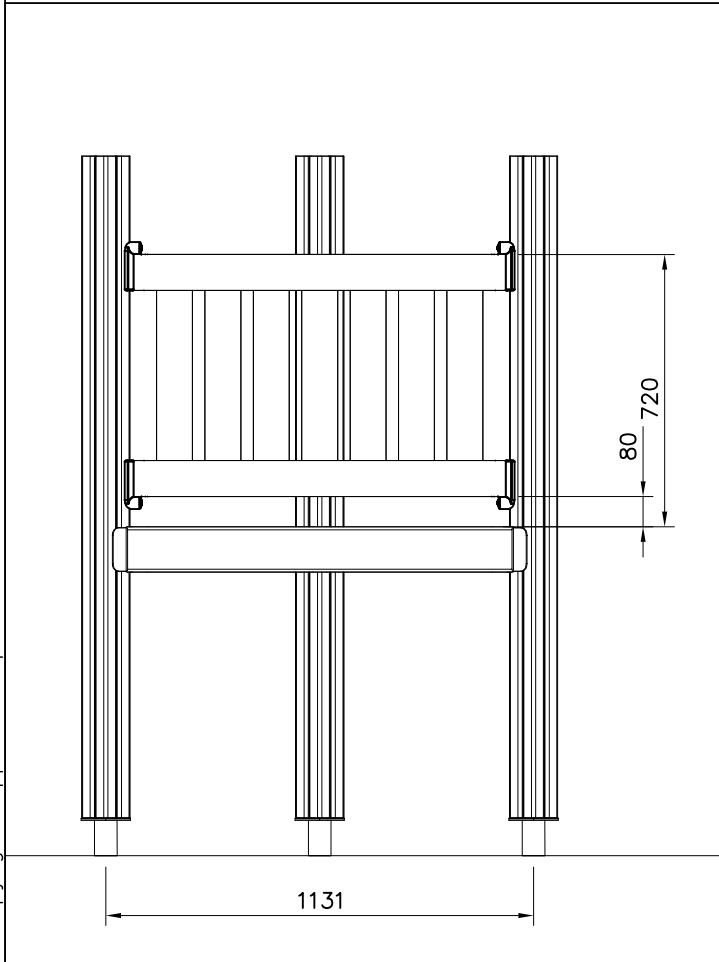
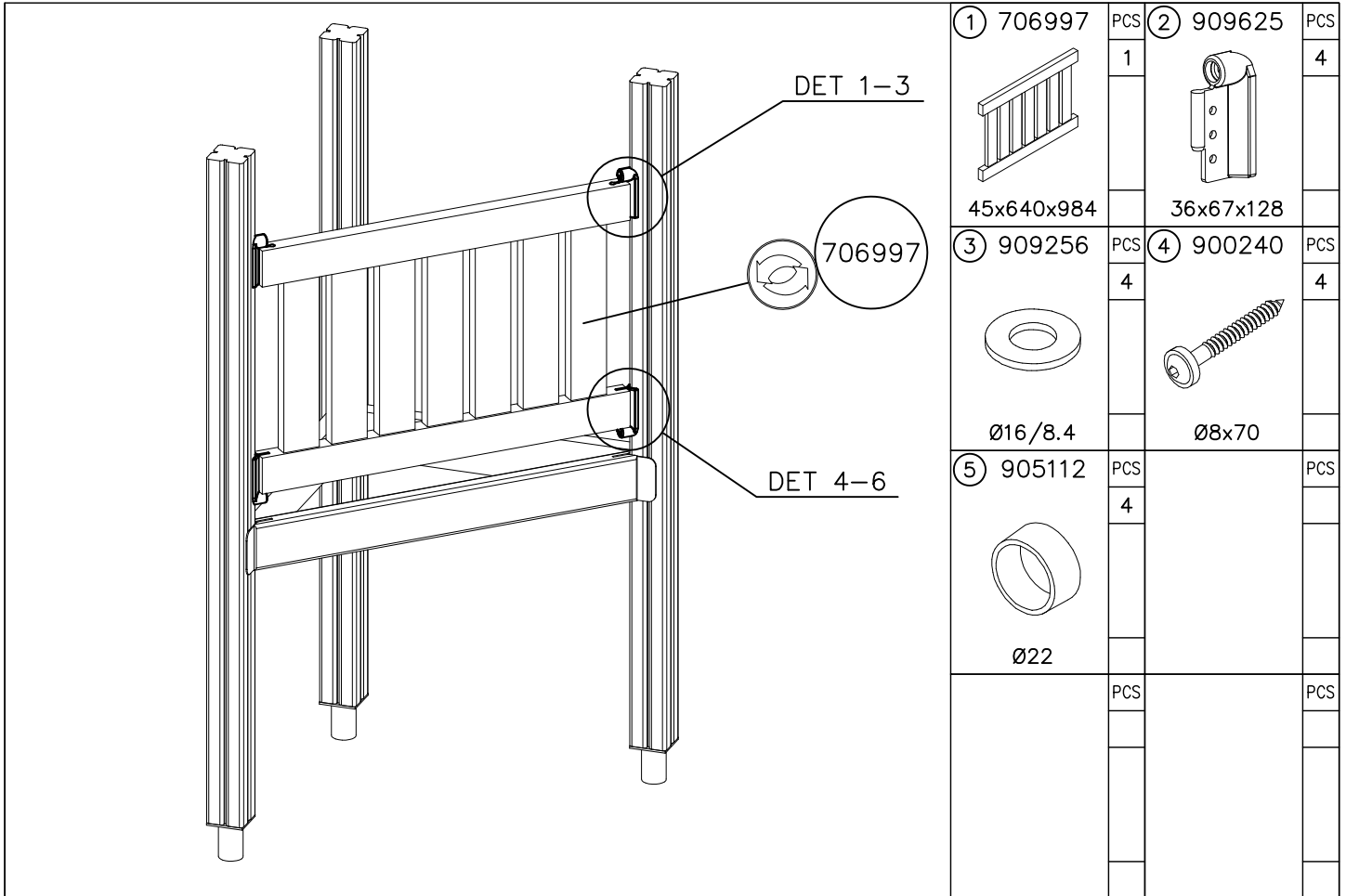


DET 2

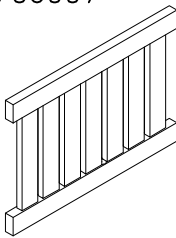


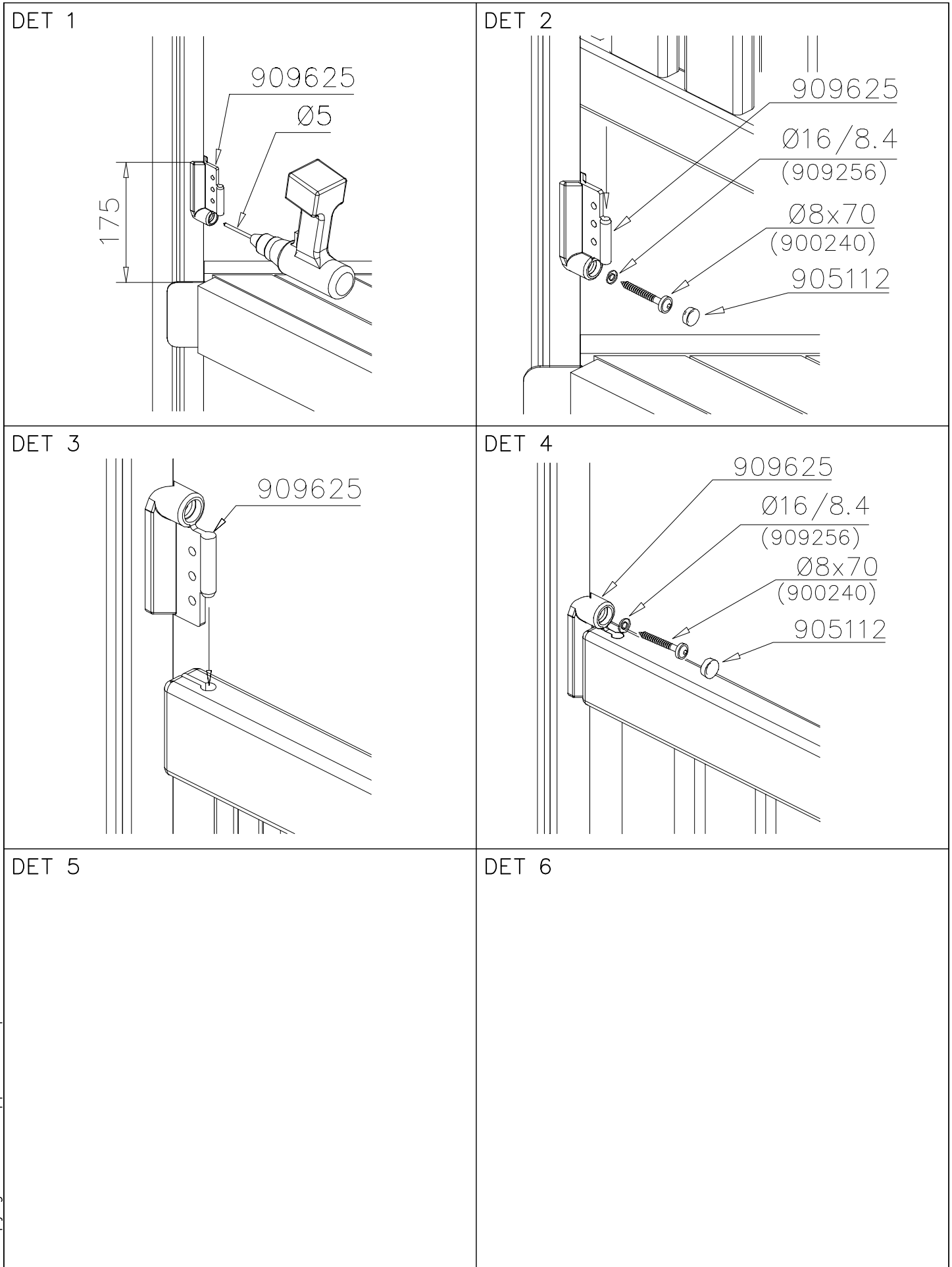
DET 3

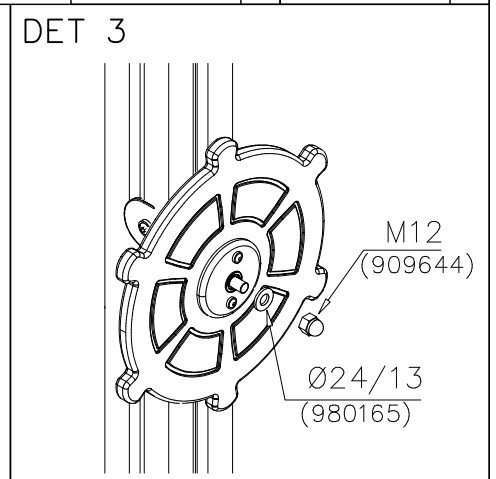
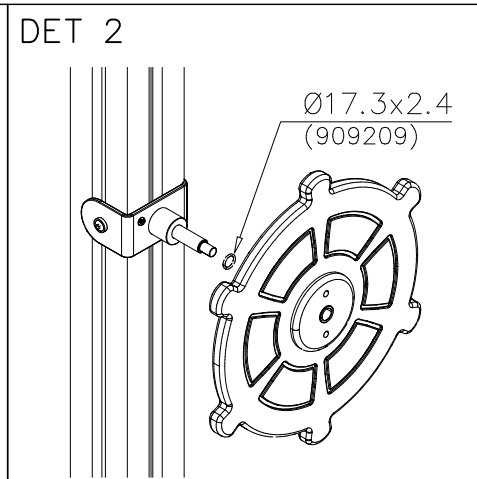
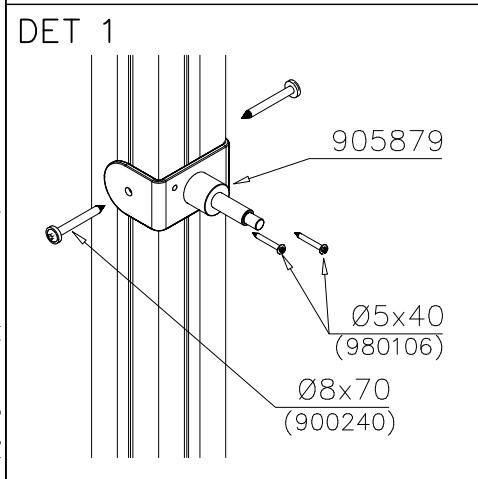
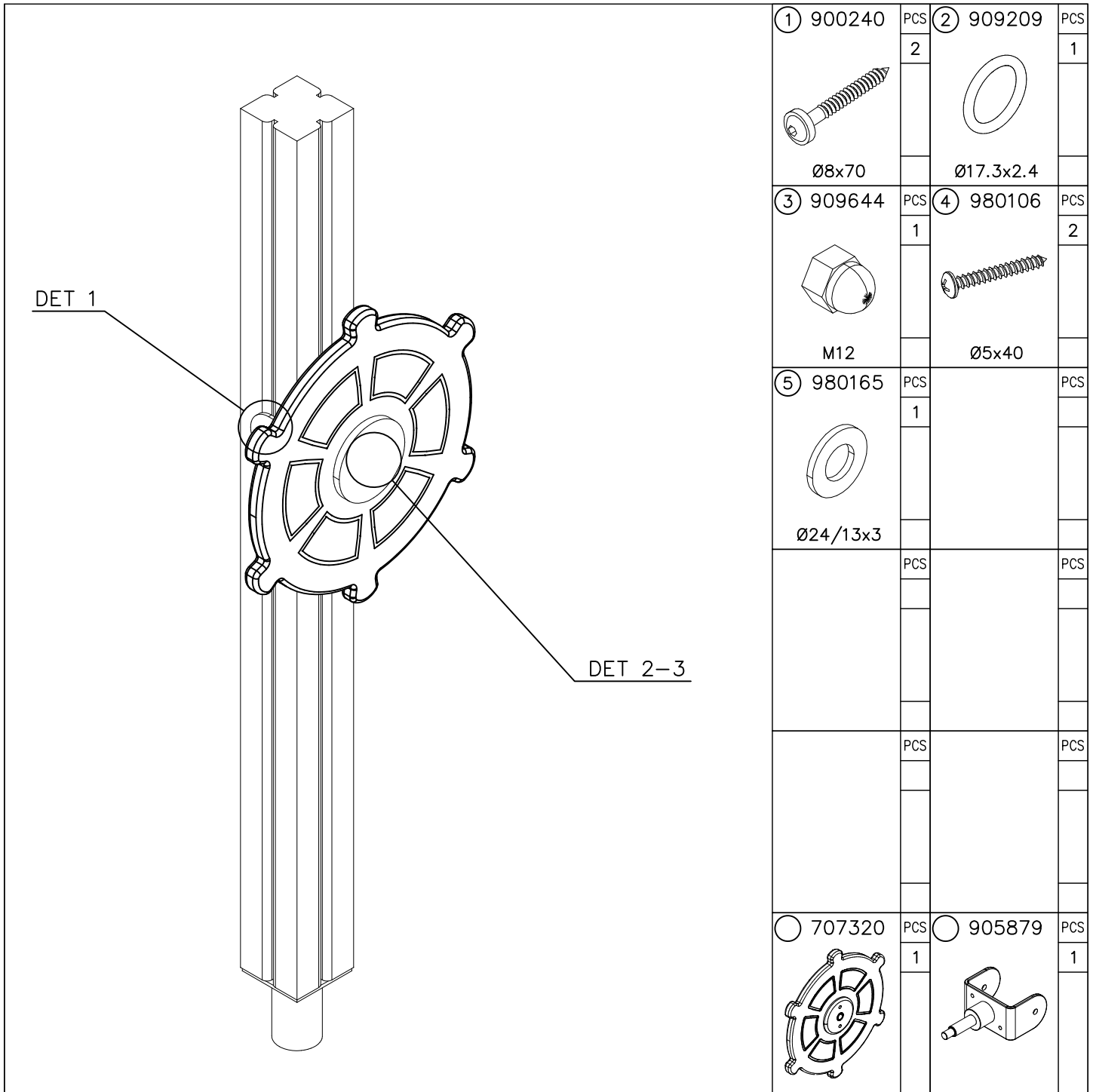


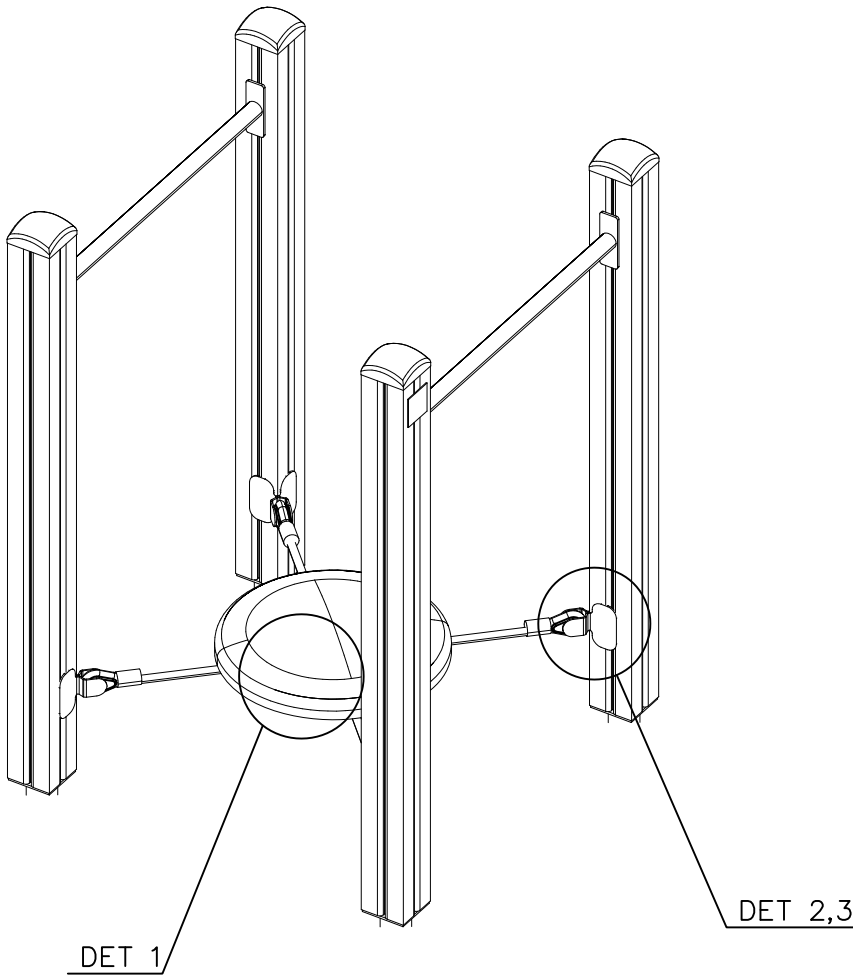


WOODEN WALL OPTIONS

 706997 45x640x984	706997-605	DARK GRAY
	706997-606	GRAY
	706997-607	RED
	706997-608	BLUE
	706997-609	GREEN
	706997-610	YELLOW
	706997-611	LIME
	706997-612	FUXIA

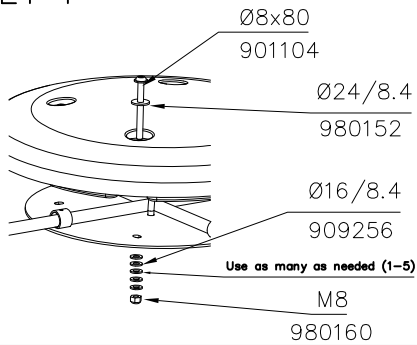




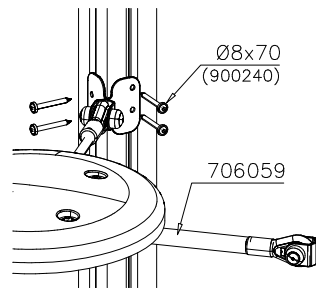


①	929561	PCS	②	909568	PCS
		8			4
				M8x55	
③	901104	PCS	④	900240	PCS
		4			16
				M8x80	
				Ø8x70	
⑤	905083	PCS	⑥	909256	PCS
		8			28
				Ø32	
				Ø16/8.4	
⑦	980152	PCS	⑧	980160	PCS
		4			4
				Ø24/8.4	
				M8	
⑨	905112	PCS	⑩	909633	PCS
		8			4
				Ø22	
				M8	
		PCS			PCS
		PCS			PCS
		PCS			PCS

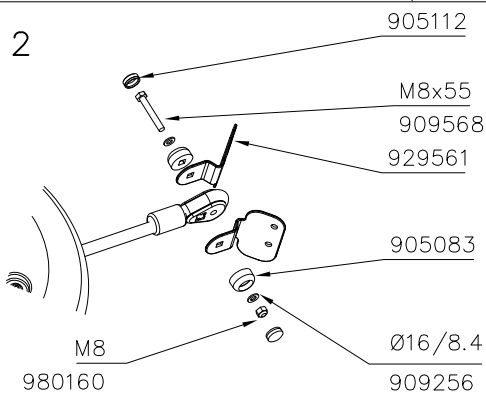
DET 1

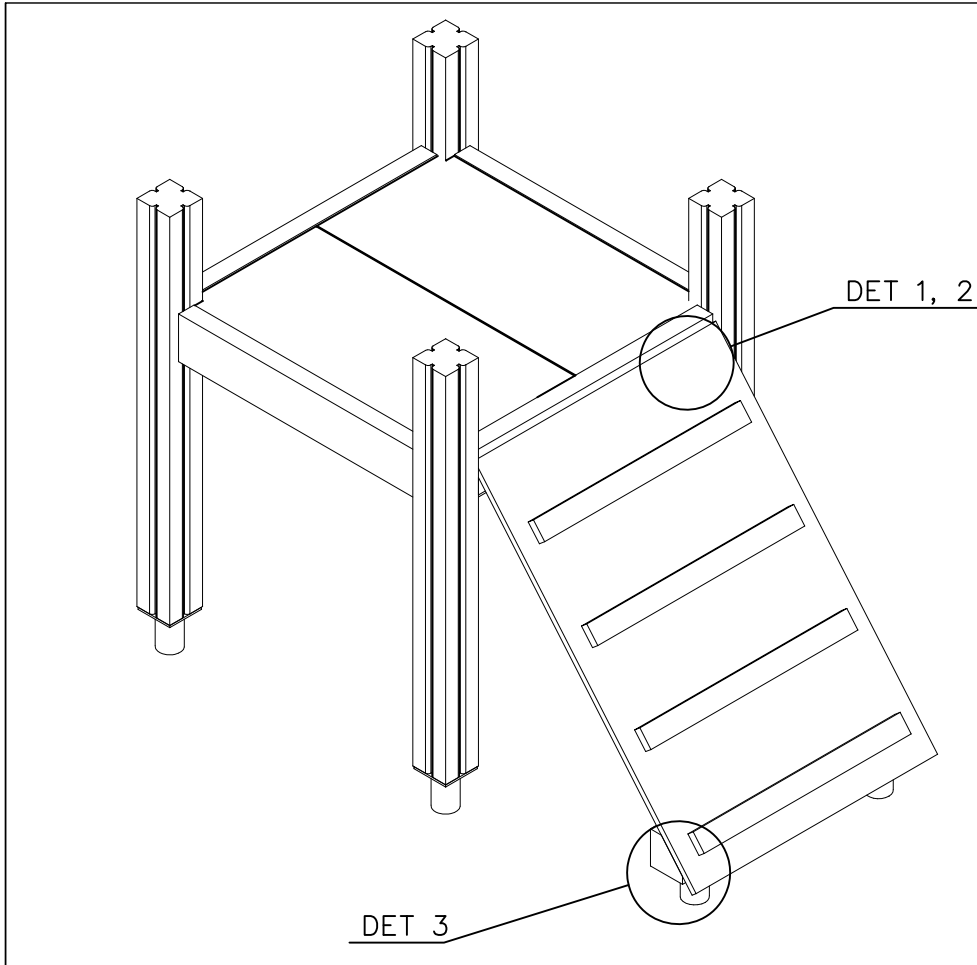


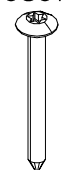
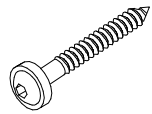

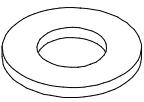
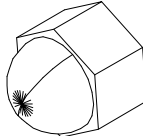
DET 3

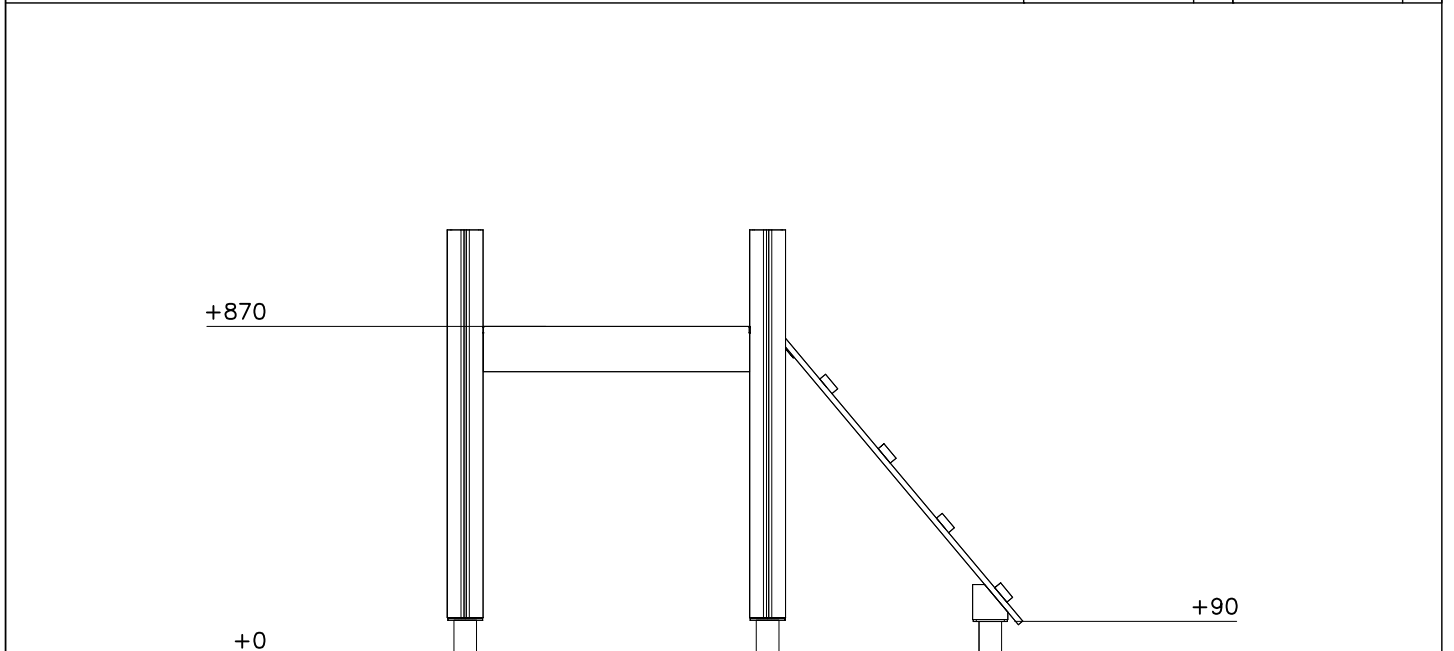


DET 2



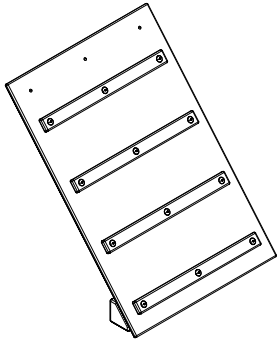


①	980128	PCS	②	900240	PCS
		8			4
Ø7x40			Ø8x70		
③	909852	PCS	④	909256	PCS
		3			7
M8x30			Ø16/8.4x1.6		
⑤	909633	PCS			PCS
		3			
M8					
		PCS			PCS



CLIMB OPTIONS

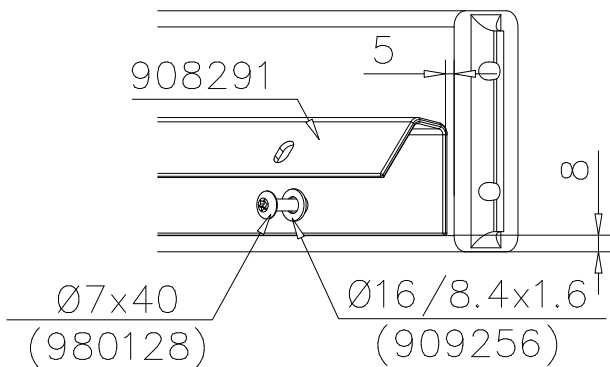
707418



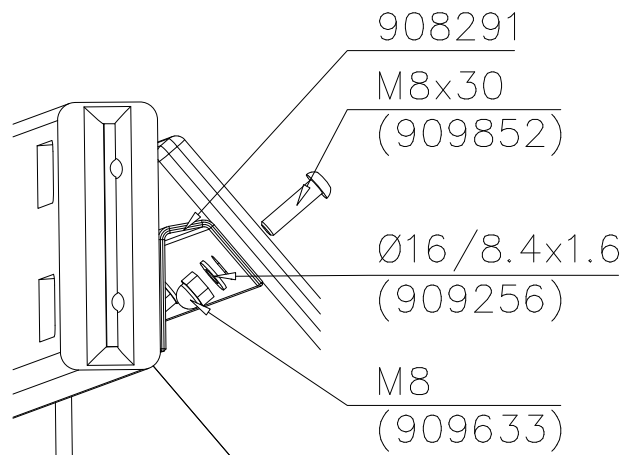
700x1000

707418-701	BLUE
707418-702	YELLOW
707418-703	LIME
707418-704	DARK GREY
707418-705	GREY
707418-706	RED
707418-707	GREEN
707418-708	FUCHSIA

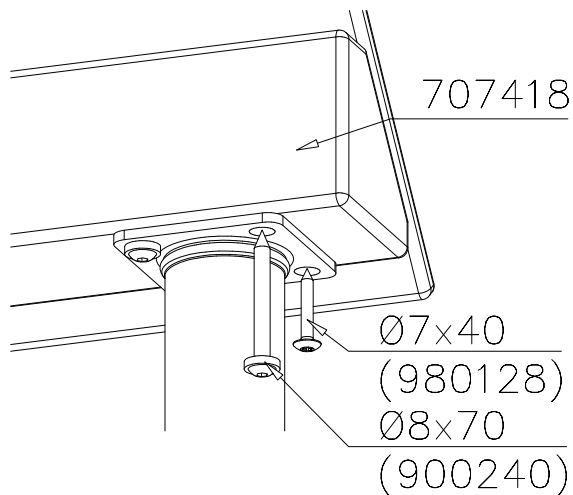
DET 1



DET 2



DET 3



① 903176	PCS	② 909850	PCS
	4		4
		M8x25	
③ 909256	PCS	④ 909633	PCS
	8		4
Ø16/8.4x1.6		M8	
⑤ 980123	PCS		PCS
	4		
Ø7x60			

***Note:**
No gaps between:
8–25mm
89–230mm

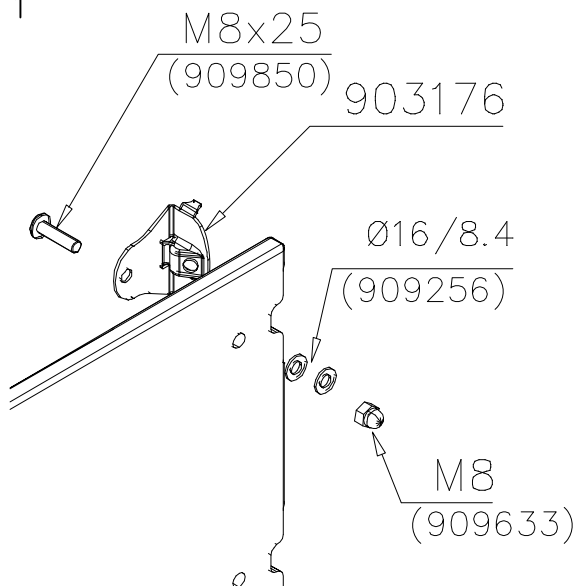
COLOR OPTIONS	
-701	BLUE
-702	YELLOW
-703	LIME
-704	DARK GRAY
-705	LIGHT GRAY
-706	RED
-707	GREEN
-708	FUXIA

Copyright Lappset Group Ltd

GAME WALL OPTIONS

706766	706772	706308	707453
			
640x702	640x702	640x702	640x702
707209	705705	707433	707386
			
640x702	640x702	640x702	640x702
709403	709358	709405	
			
640x702	640x702	420x702	

DET 1



DET 2





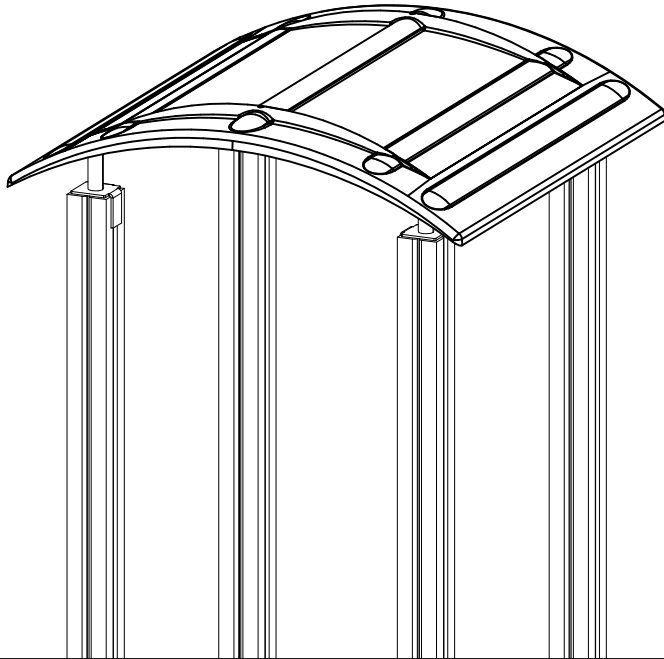
① 900240	PCS		PCS
	2		
Ø8x70			
	PCS		PCS
	PCS		PCS

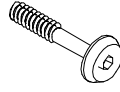



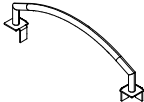



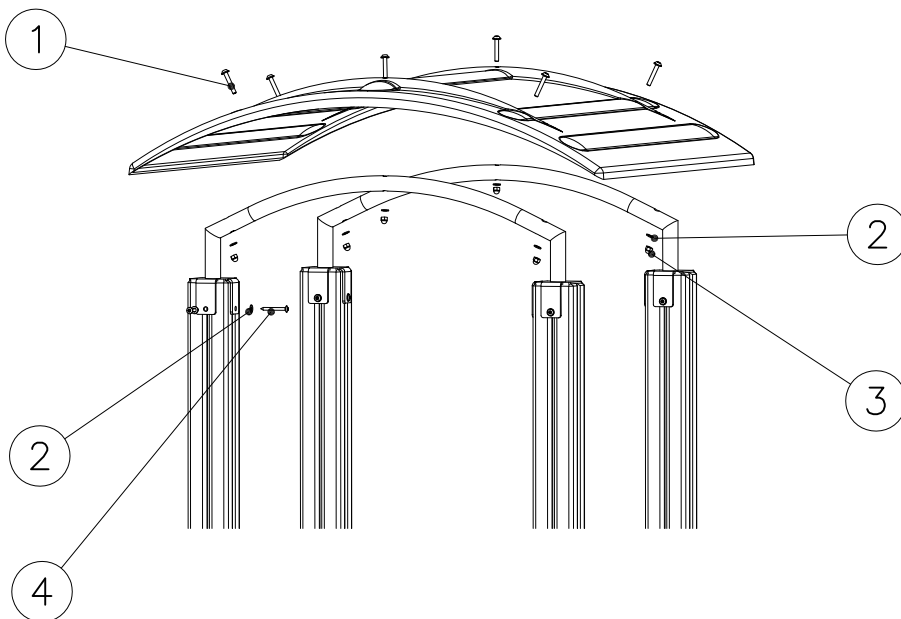
○ 707302	PCS	○ 707303	PCS
	1		1
○ 707304	PCS	○ 707305	PCS
	1		1
	PCS		PCS

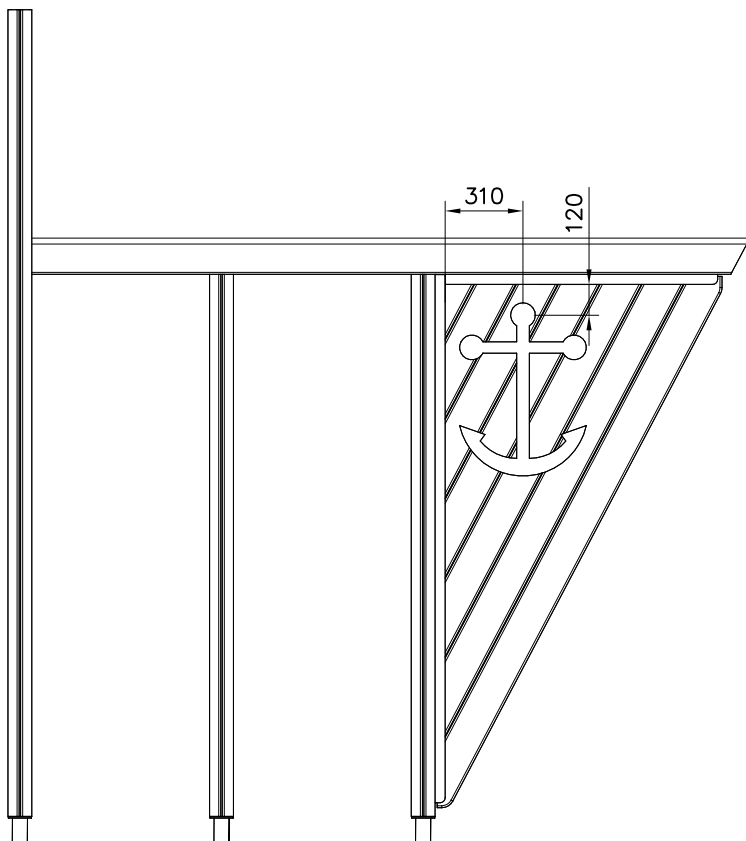
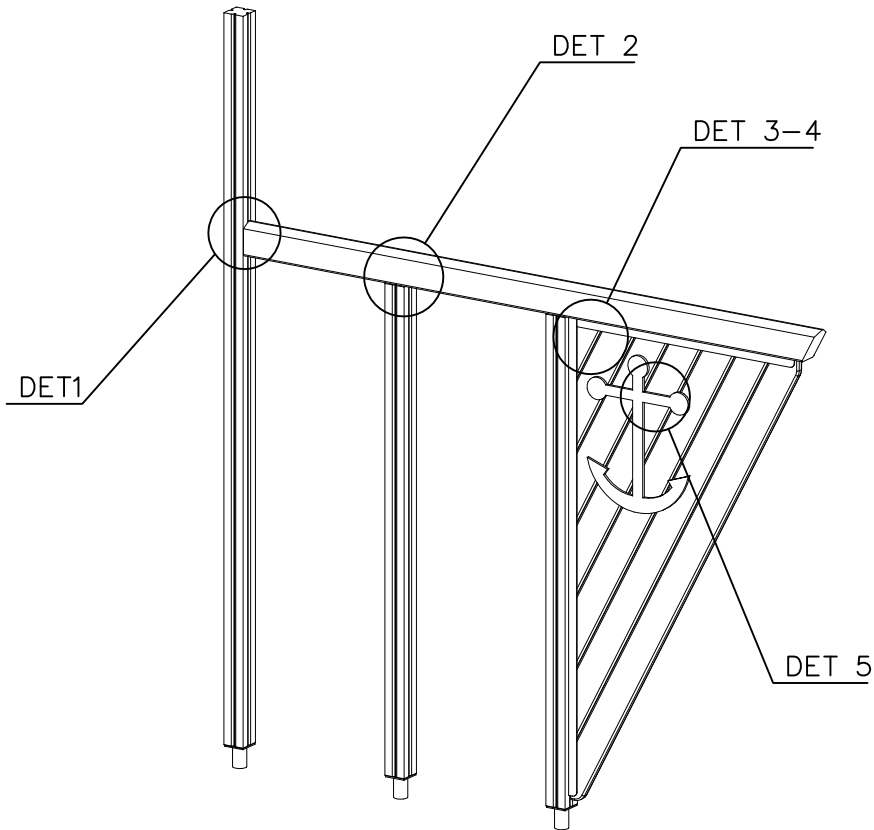








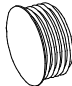
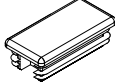





	PCS		PCS
	PCS		PCS



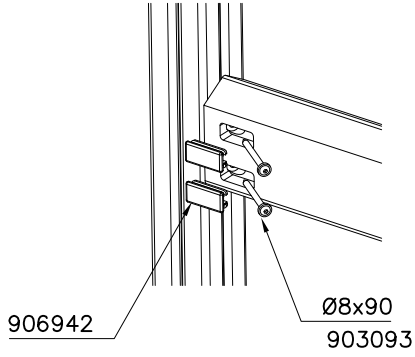
①	909868	PCS	②	909256	PCS
		6			14
					
	M8x50			Ø16/8.4	
③	909633	PCS	④	980123	PCS
		6			8
					
	M8			Ø7x60	
		PCS			PCS
		PCS			PCS
○	908330	PCS	○	908251	PCS
		2			1
					
				1100x1100x215	
		PCS			PCS
		PCS			PCS
		PCS			PCS



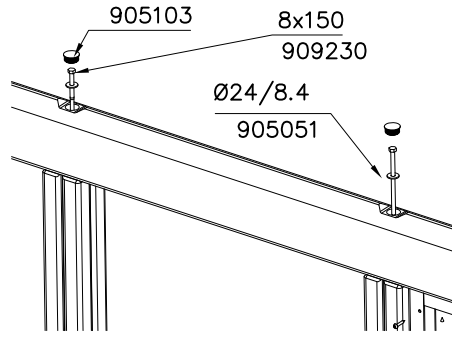


①	980122	PCS	②	980131	PCS
		14			10
					
	Ø5x30			Ø6x60	
③	980128	PCS	④	903093	PCS
		12			2
					
	Ø7x40			Ø8x90	
⑤	909230	PCS	⑥	905051	PCS
		2			2
					
	8x150			Ø24/8.4	
⑦	905103	PCS	⑧	906942	PCS
		2			2
					
	PT-28/32-H			IRR30601.5-3S	
		PCS			PCS
○	704868	PCS	○	707633	PCS
		2			1
					
	12x503x687			90x145x2855	
○	707653	PCS	○	929325	PCS
		1			1
					
	32x1130x2110			40x40x1080	
○	929326	PCS			PCS
		1			
					
	40x40x3x2095				

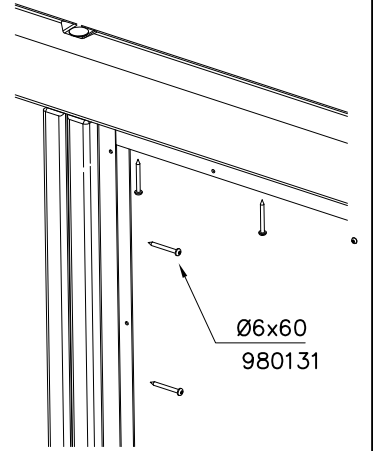
DET 1



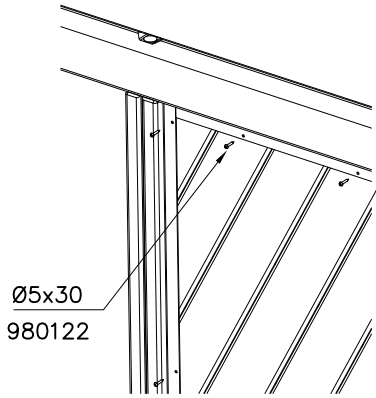
DET 2



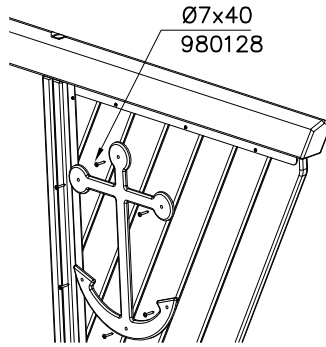
DET 3

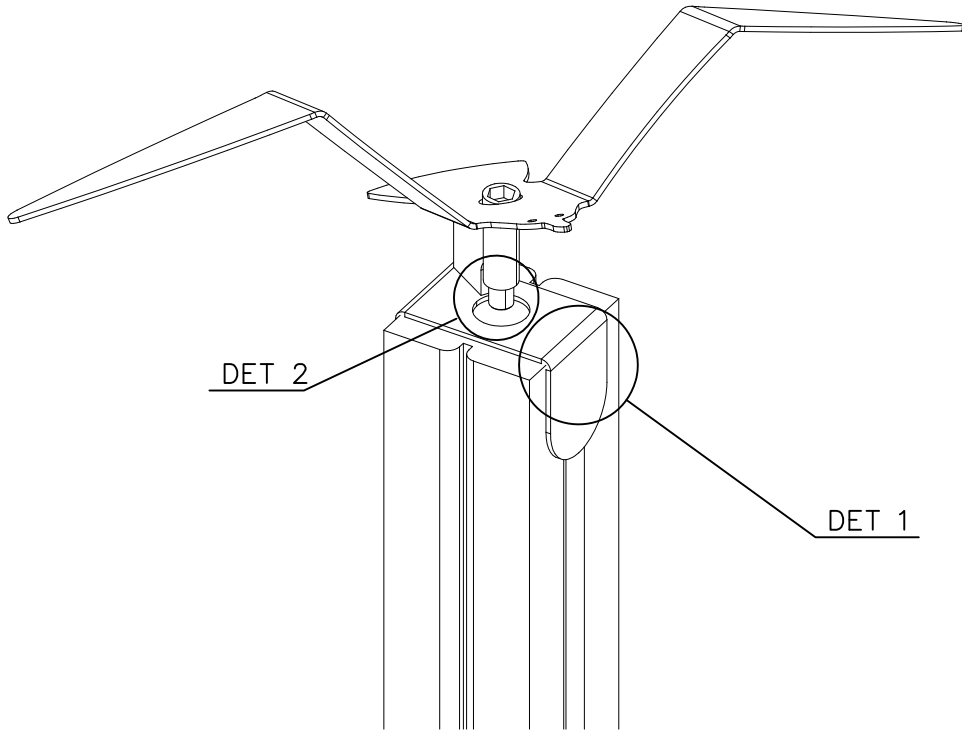


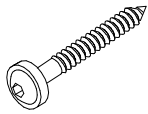

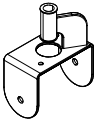

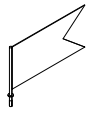

DET 4



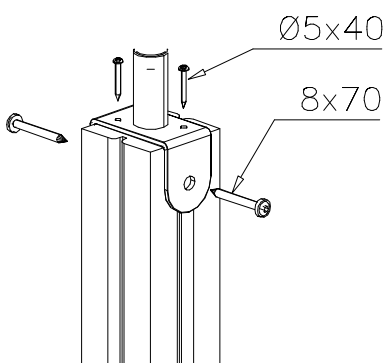
DET 5



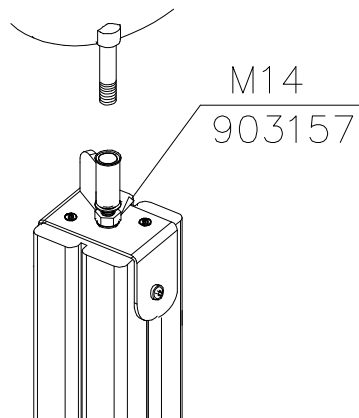


① 900240	PCS	② 980106	PCS
	2		2
Ø8x70		Ø5x40	
③ 907082	PCS		PCS
	1		
Ø8x70			
	PCS		PCS
	PCS		PCS
○ 908357	PCS	○ 900793	PCS
	1		1
○ 903157	PCS		PCS
	1		
M14			
	PCS		PCS
	PCS		PCS

DET 1

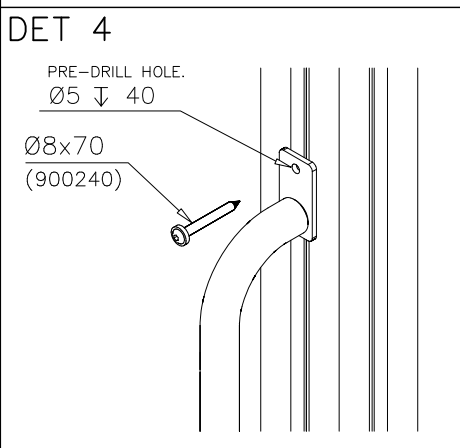
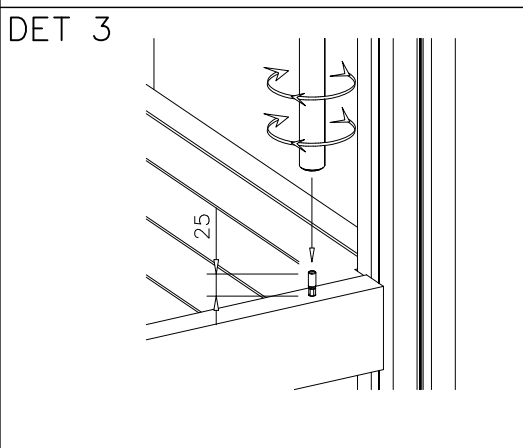


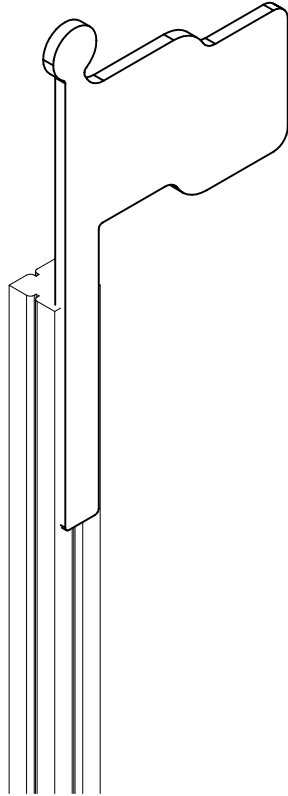
DET 2



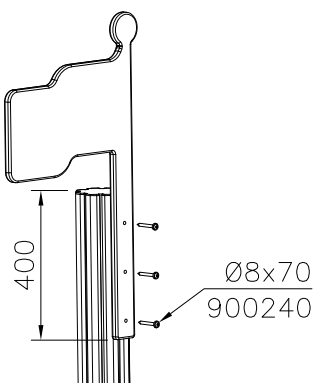



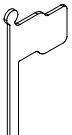
① 900240	PCS	② 900727	PCS
	1		1
Ø8x70		M10x80	
	PCS		PCS
③ 907688	PCS	③ 907701	PCS
	1		1
765		545	
	PCS		PCS
	PCS		PCS
	PCS		PCS
	PCS		PCS





DET 2



① 900240  Ø8x70	PCS		PCS
	3		
	PCS		PCS
	PCS		PCS
	PCS		PCS
	PCS		PCS
	PCS		PCS
○ 707621  21x489x900	PCS		PCS
	1		

**Tuotekyltti tulee tuotteen mukana yhdellä seuraavista tavoista:****1) Metallinen tuotekyltti ja kiinnitysruuvit**

- Kiinnitä tuotekyltti ruuveilla tolppaan noin 2 metrin korkeuteen kuvan 1 mukaisesti.

2) Tuotekyltitarra

- Puhdista maalattu metalli- tai vaneripinta pölystä ja kosteudesta. Liimaa tarra kuvan 2 mukaisesti.
- Huom. Älä kiinnitä tarraa karheapintaiseen laminaattiin tai maalattuun puuhun.

Vår produktmärkning levereras på ett av följande sätt:**1) Produktskylt i metall**

- Fäst skylten med de medföljande skruvarna

2) Självhäftande produktetikett

- Rengör den pulverlackerade metallytan eller laminatyten så att den blir fri från smuts och fukt. Fäst etiketten enligt fig. 2.
- Obs! Fäst ej etiketten på detaljer med skrovlig yta eller på målat trä.

Product label is delivered by one of following ways:**1) Metal product label and screws**

- Fasten the label with screws.

2) Label sticker

- Clean the painted metal or plywood surface from dirt and moisture. Fasten the sticker as shown in the figure 2.
- Note. Do not attach the sticker to rough surfaced laminate or painted wood.

La plaque d'informations produit est livrée sous l'une de ces 3 formes :**1) Plaque métallique et vis**

- Fixez la plaque à l'aide des vis.

2) Etiquette autocollante

- Avant de coller l'étiquette, nettoyez le composant métallique peint ou la plaque de contreplaqué, de toute saleté. La surface doit être sèche (voir image 2).
- Attention, ne pas coller l'étiquette sur une surface lamellé-collée irrégulière ou sur du bois peint.

Die Auslieferung des Produktaufklebers erfolgt auf eine dieser Arten:**1) Produkt-Schild aus Metall incl. Schrauben**

- Die Befestigung des Schildes erfolgt mittels der Schrauben.

2) Aufkleber

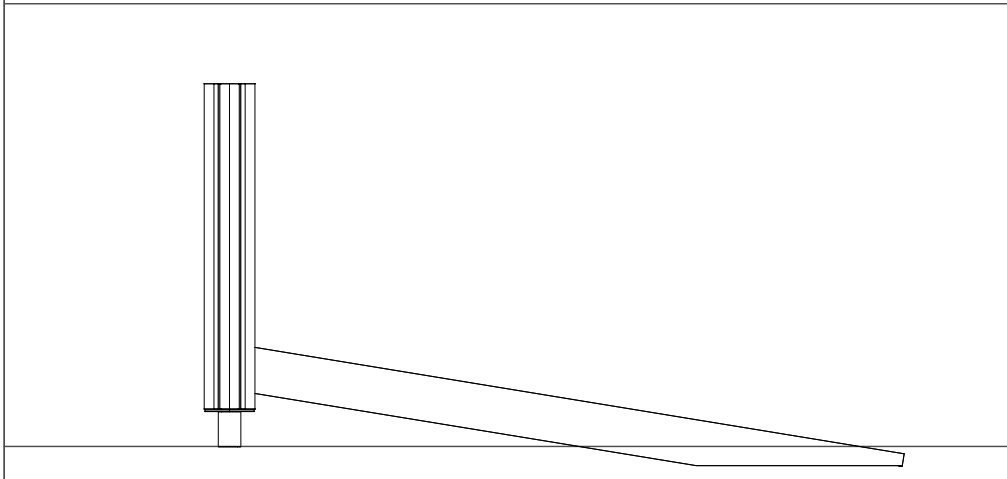
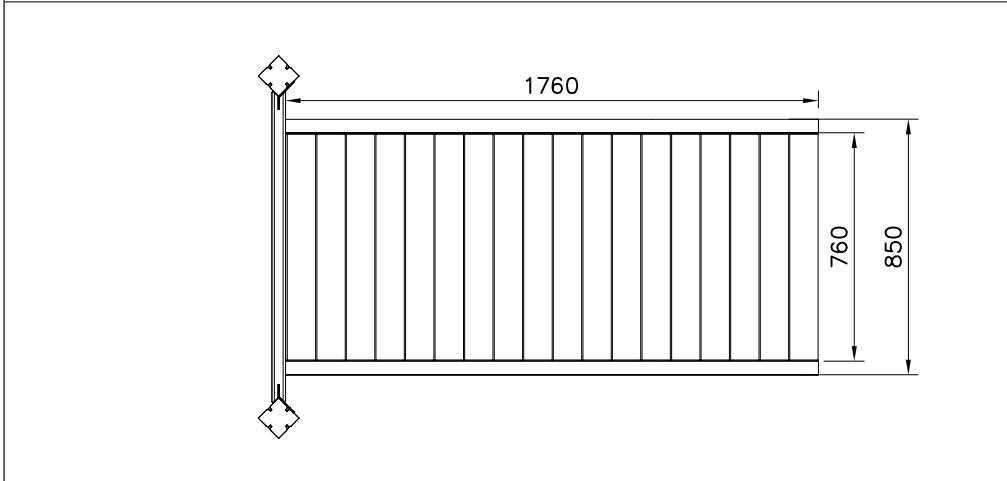
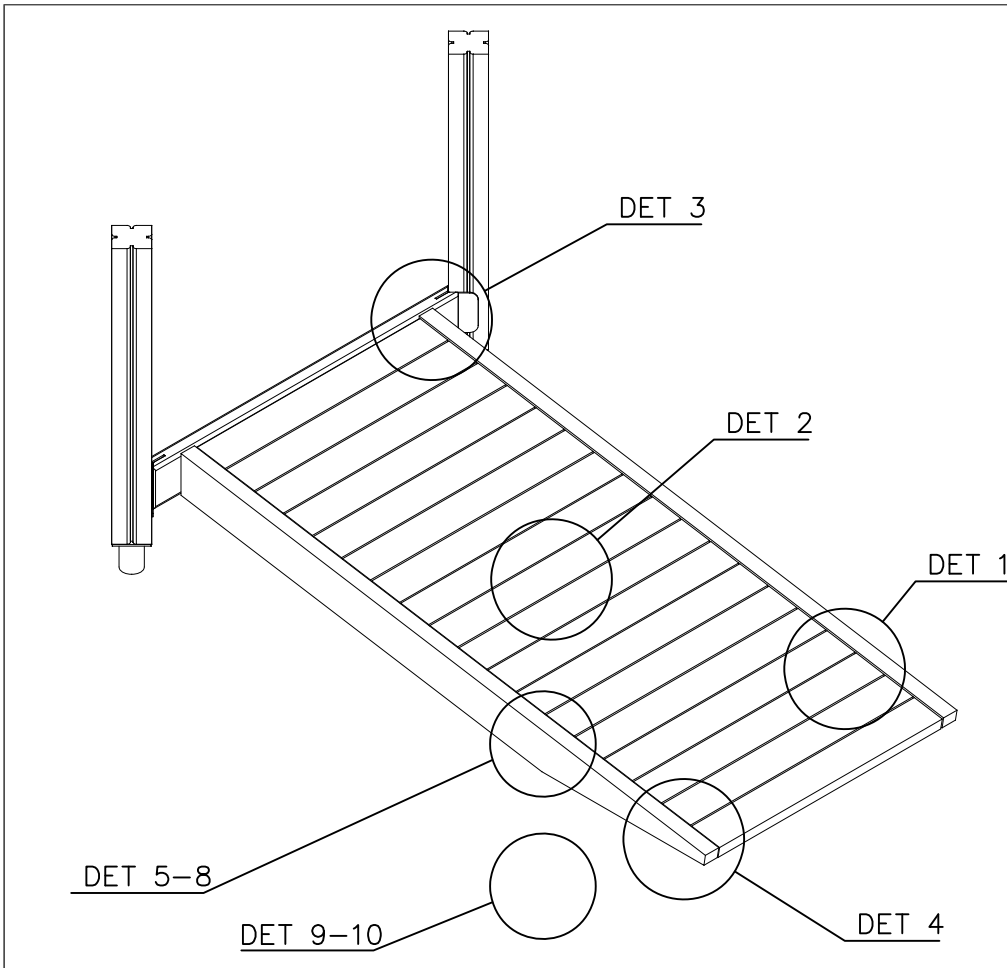
- Entfernen Sie zunächst Schmutz und Feuchtigkeit vom lackierten Metall bzw. von der Holzoberfläche und bringen Sie den Aufkleber wie im Bild oben rechts beschrieben auf den gesäuberten Untergrund auf.
- Beachten Sie: Bringen Sie den Aufkleber nicht auf raues laminiertes oder lackiertes Holz an.

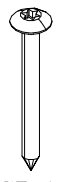
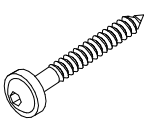

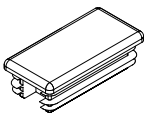

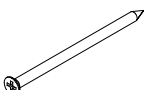

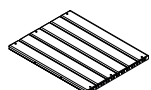
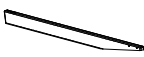
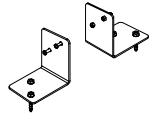

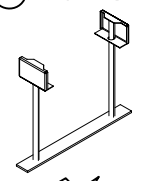

LAPPSET® FASTENER KIT

707888

DATE: 16.3.2021

1(3)



① 980128  Ø7x40	PCS 4	② 900240  Ø8x70	PCS 12
③ 903093  Ø8x90	PCS 2	④ 906942 	PCS 2
⑤ 980101  Ø4,5x70	PCS 18	⑥ 980104  Ø5x90	PCS 4
	PCS		PCS
	PCS		PCS
○ 707862  32x45x1700	PCS 2		PCS
○ 707861  750x590	PCS 3	○ 707860  45x120x1785	PCS 2
○ 704341  	PCS 1	○ 704431  	PCS 1

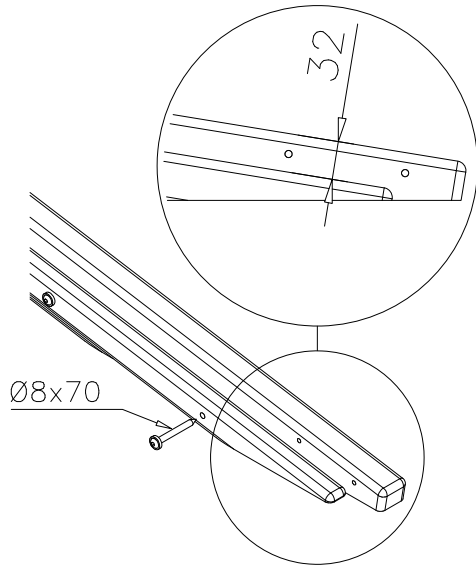
LAPPSET® FASTENER KIT

707888

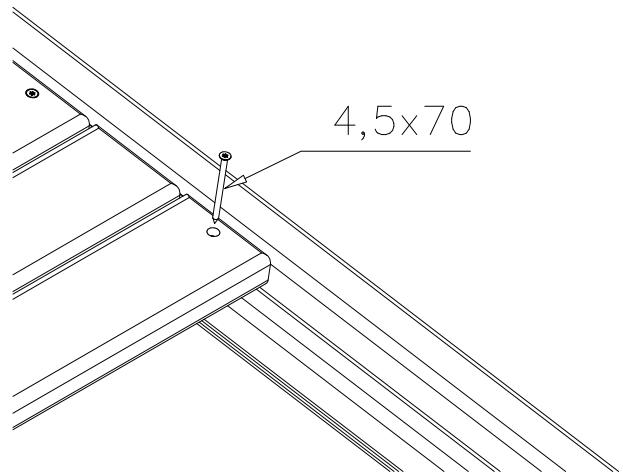
DATE: 16.3.2021

2(3)

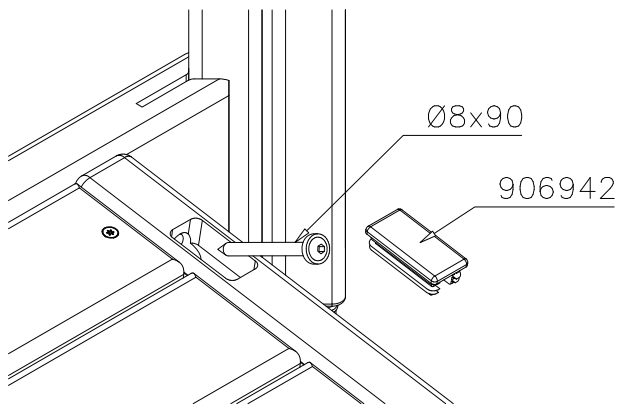
DET 1



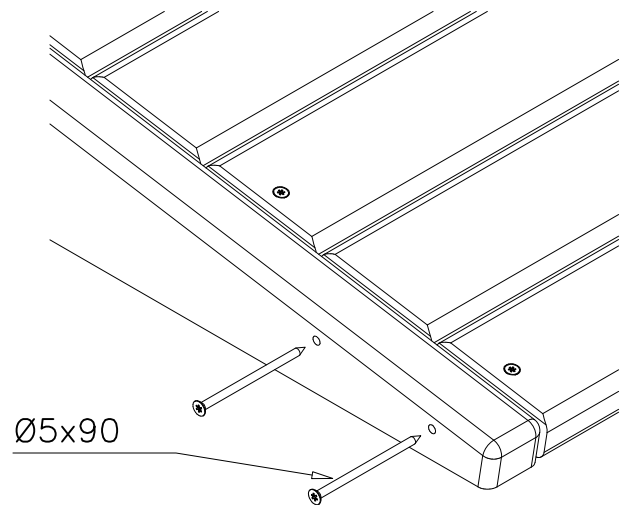
DET 2



DET 3

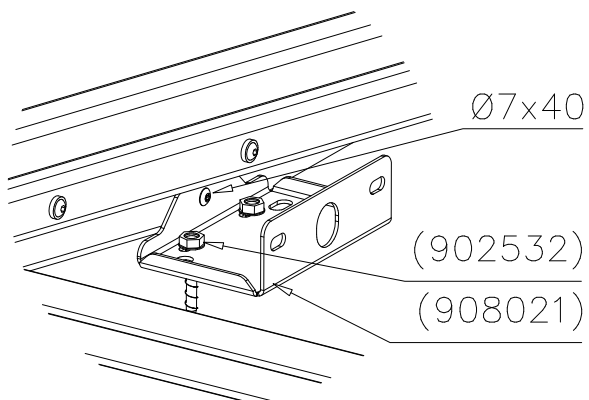


DET 4

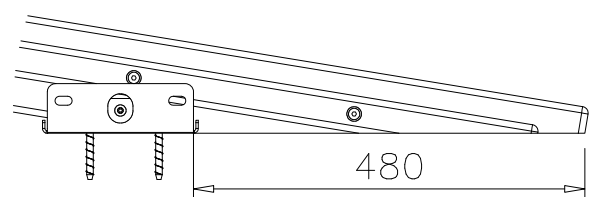


SURFACE MOUNTING (704341)

DET 5



DET 6



LAPPSET® FASTENER KIT

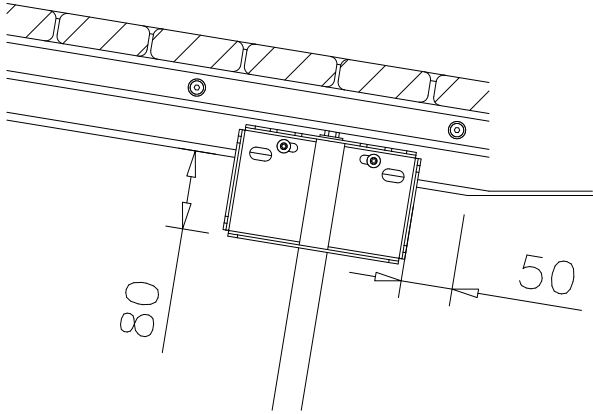
707888

DATE: 16.3.2021

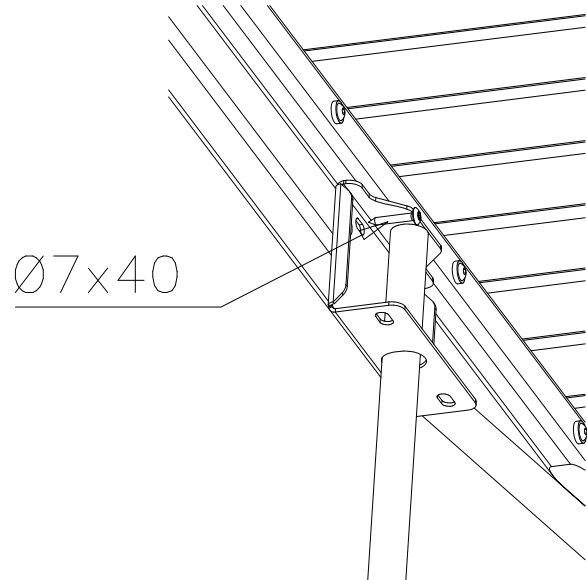
3(3)

DEEP MOUNTING (704431)

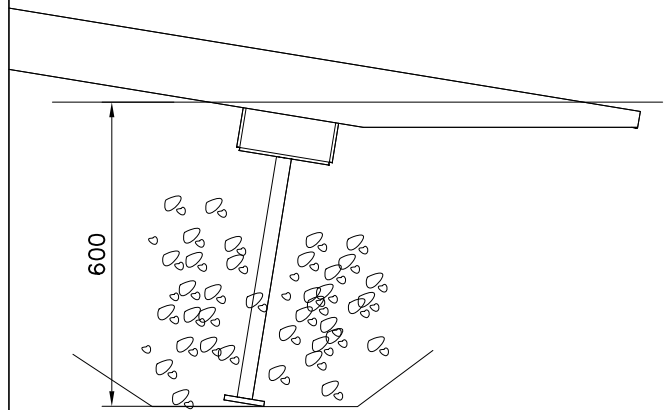
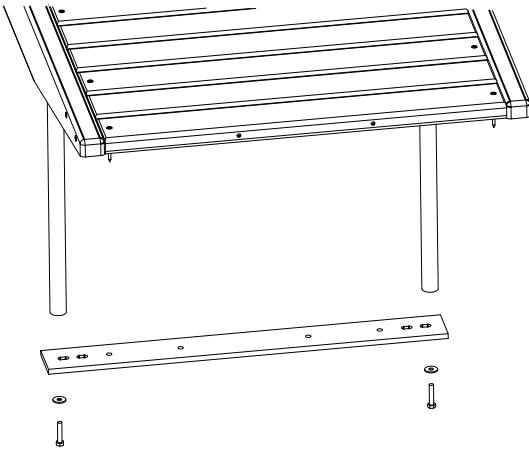
DET 7

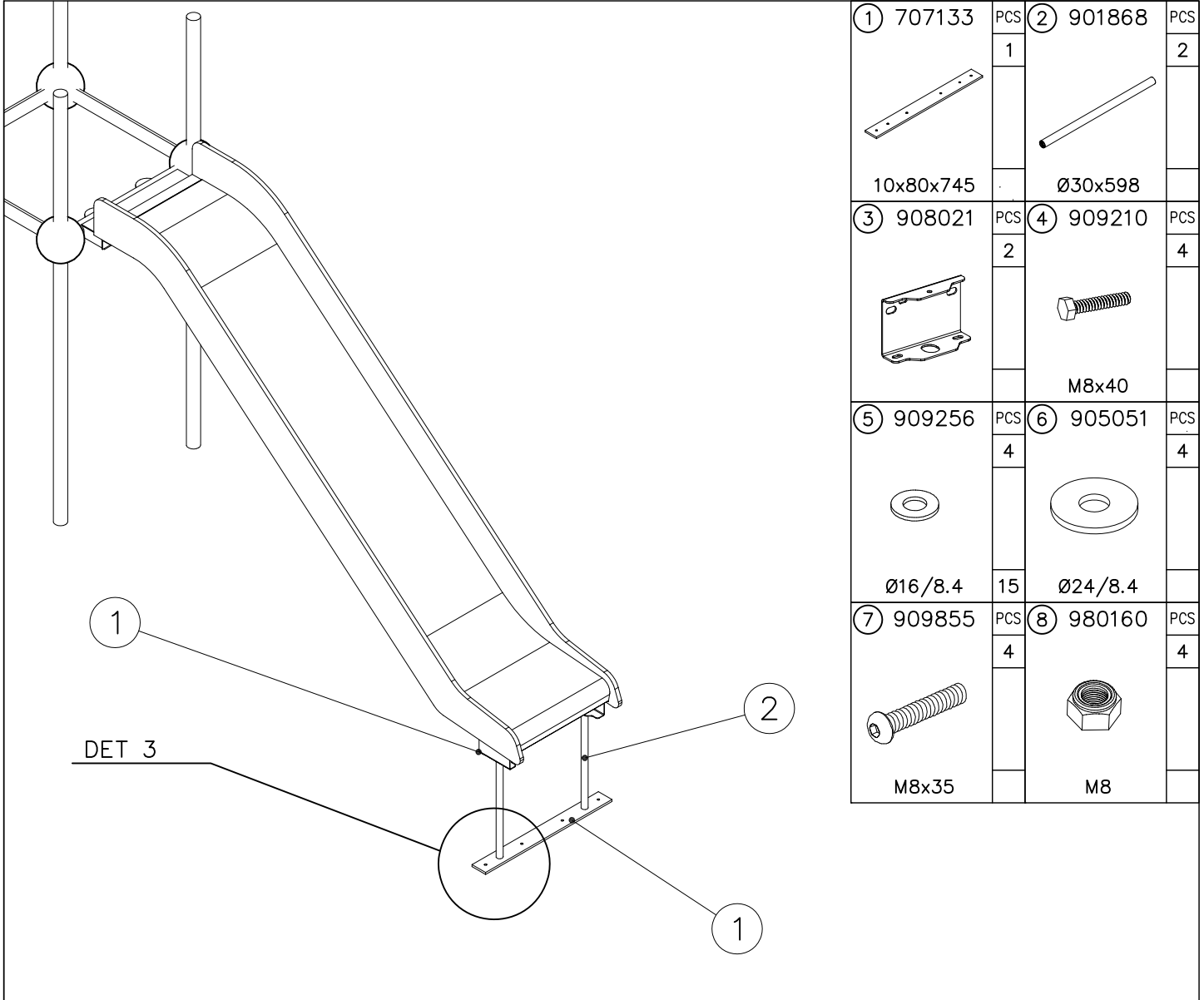


DET 8

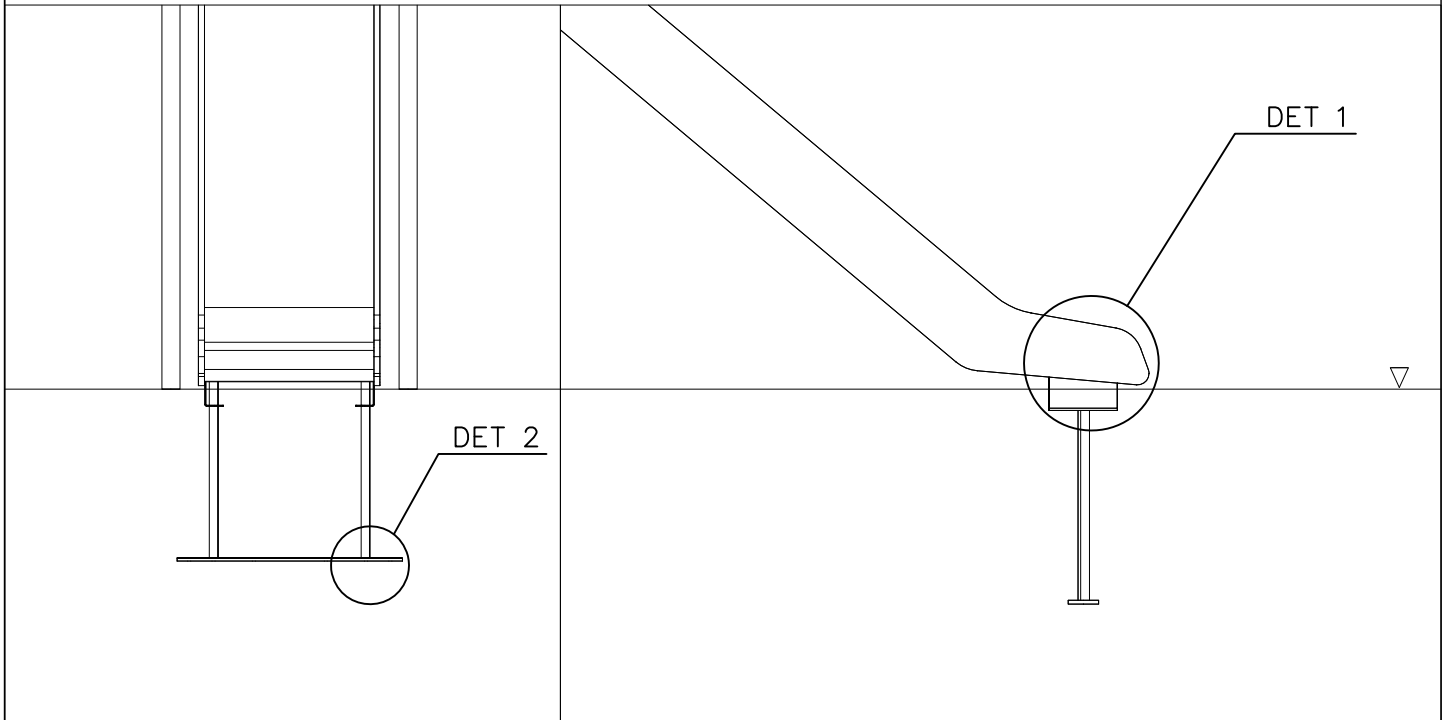


DET 9

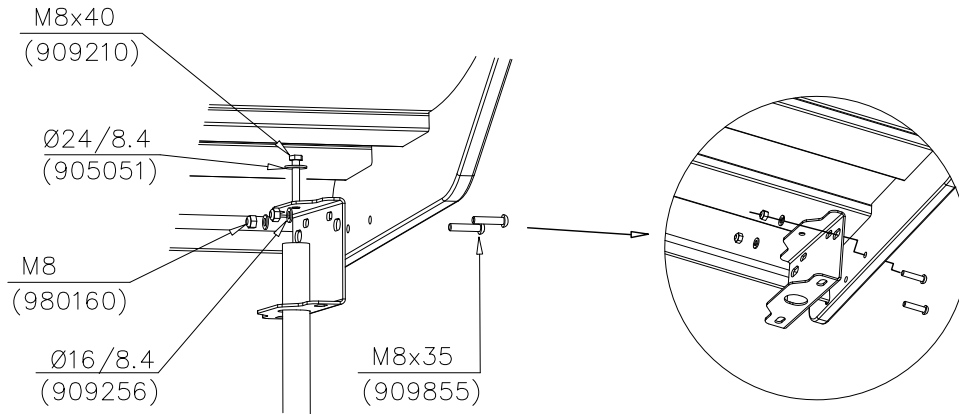




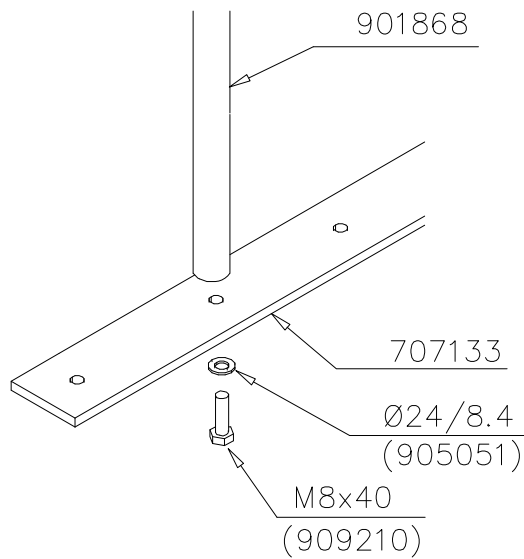
① 707133	PCS	② 901868	PCS
	1		2
10x80x745		Ø30x598	
③ 908021	PCS	④ 909210	PCS
	2		4
		M8x40	
⑤ 909256	PCS	⑥ 905051	PCS
	4		4
Ø16/8.4	15	Ø24/8.4	
⑦ 909855	PCS	⑧ 980160	PCS
	4		4
M8x35		M8	



DET 1



DET 2



DET 3

