

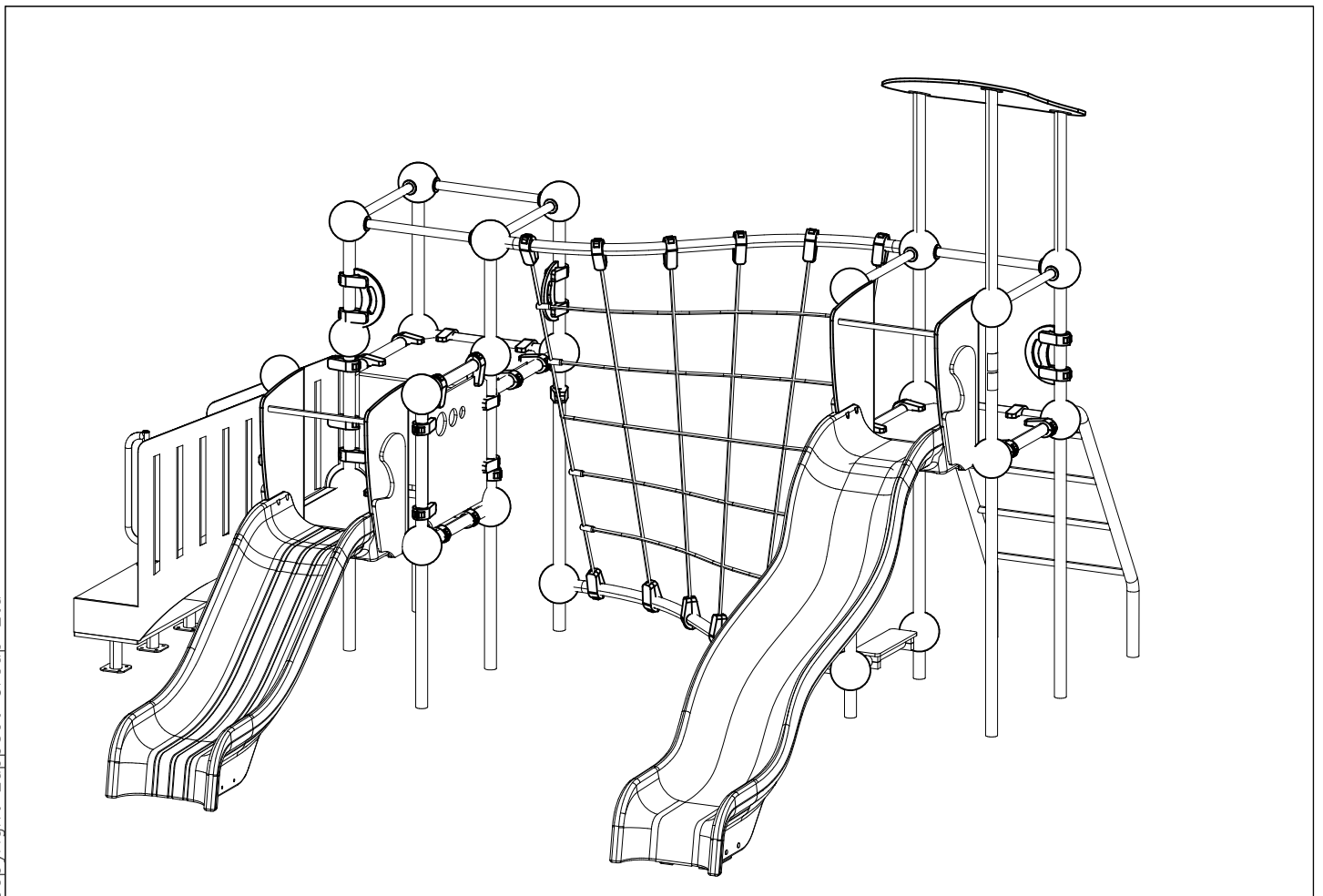
# **LAPPSET®**

## **CLOXX**

ASENNUSOHJE  
MONTERINGSANSVISNING  
INSTALLATION INSTRUCTION  
AUFBAUANLEITUNG  
NOTICE D'INSTALLATION

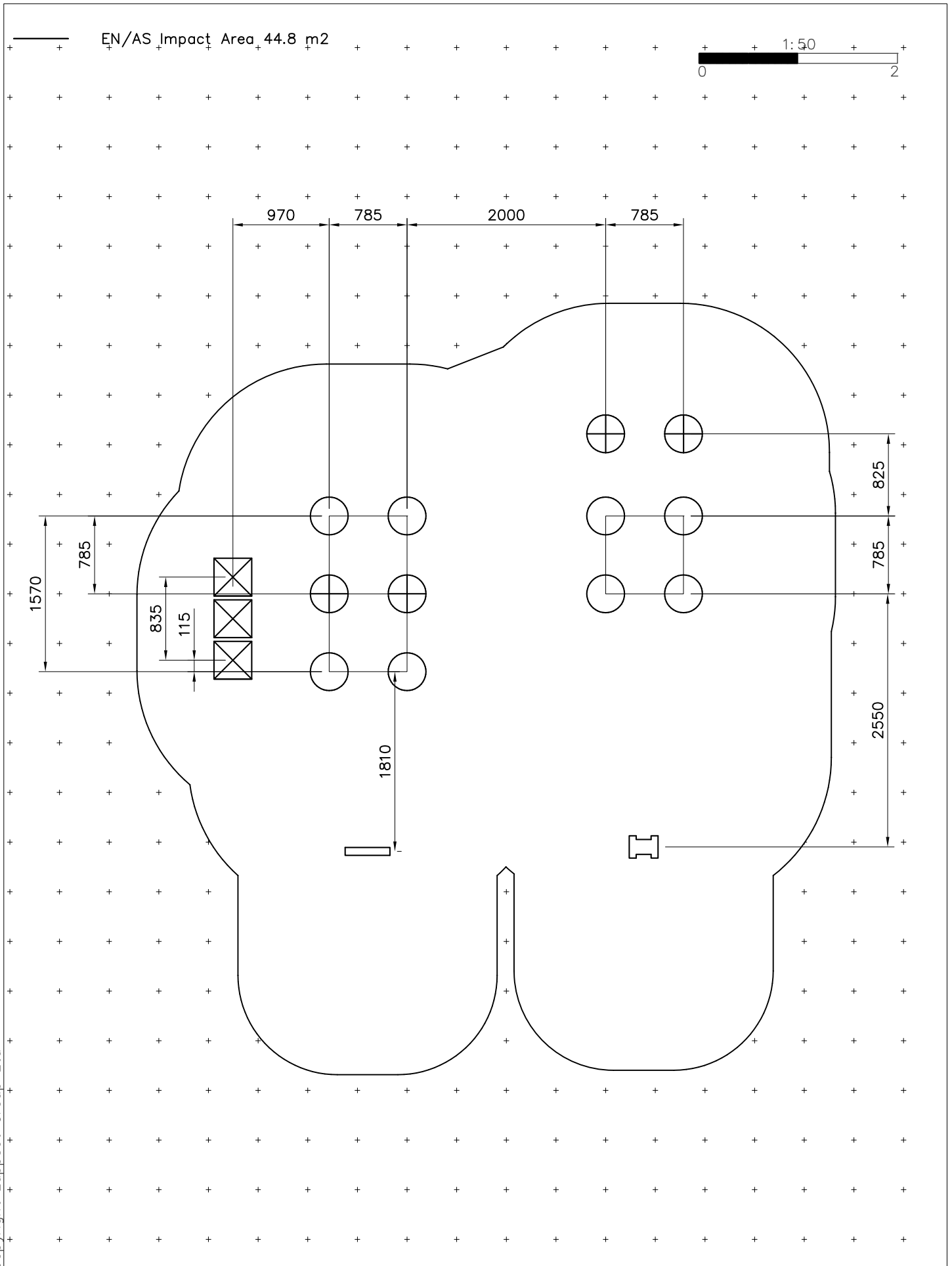
DATE: 25.4.2022

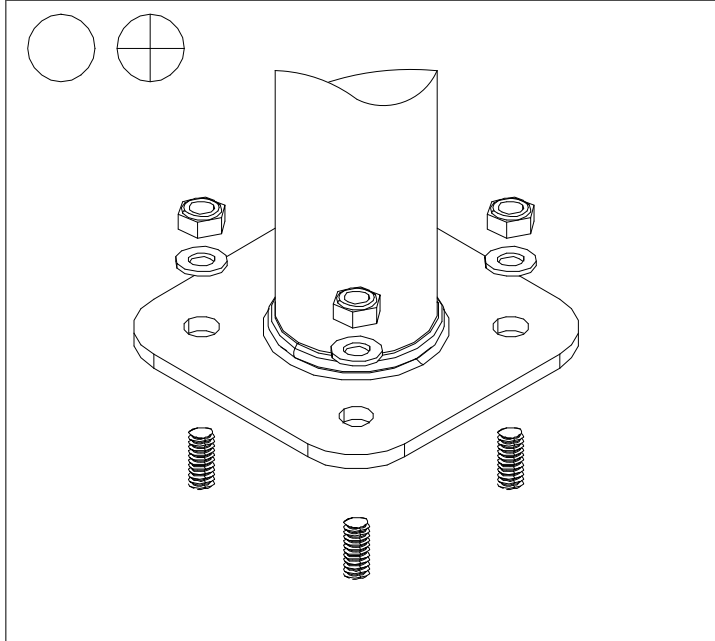
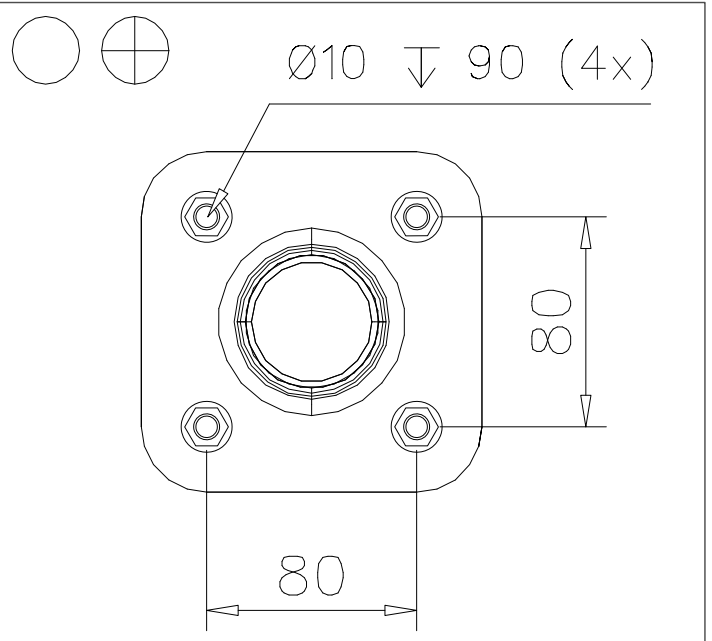
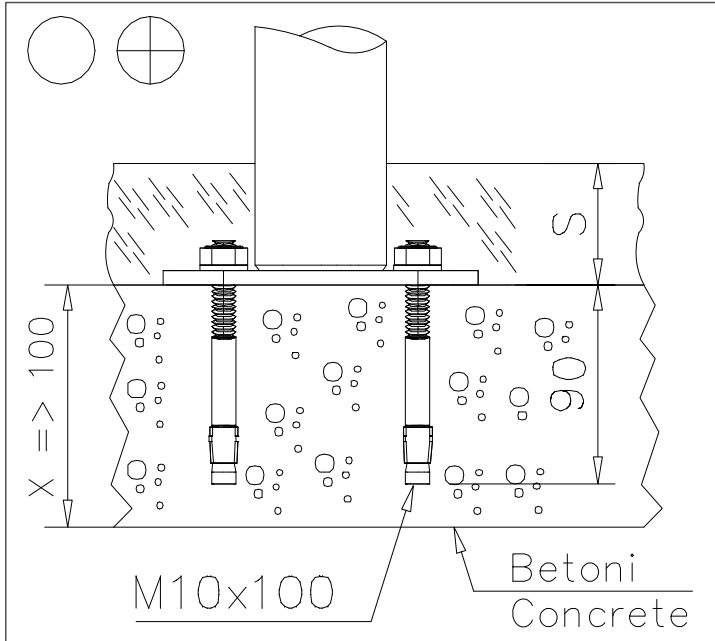
### **Q16352**



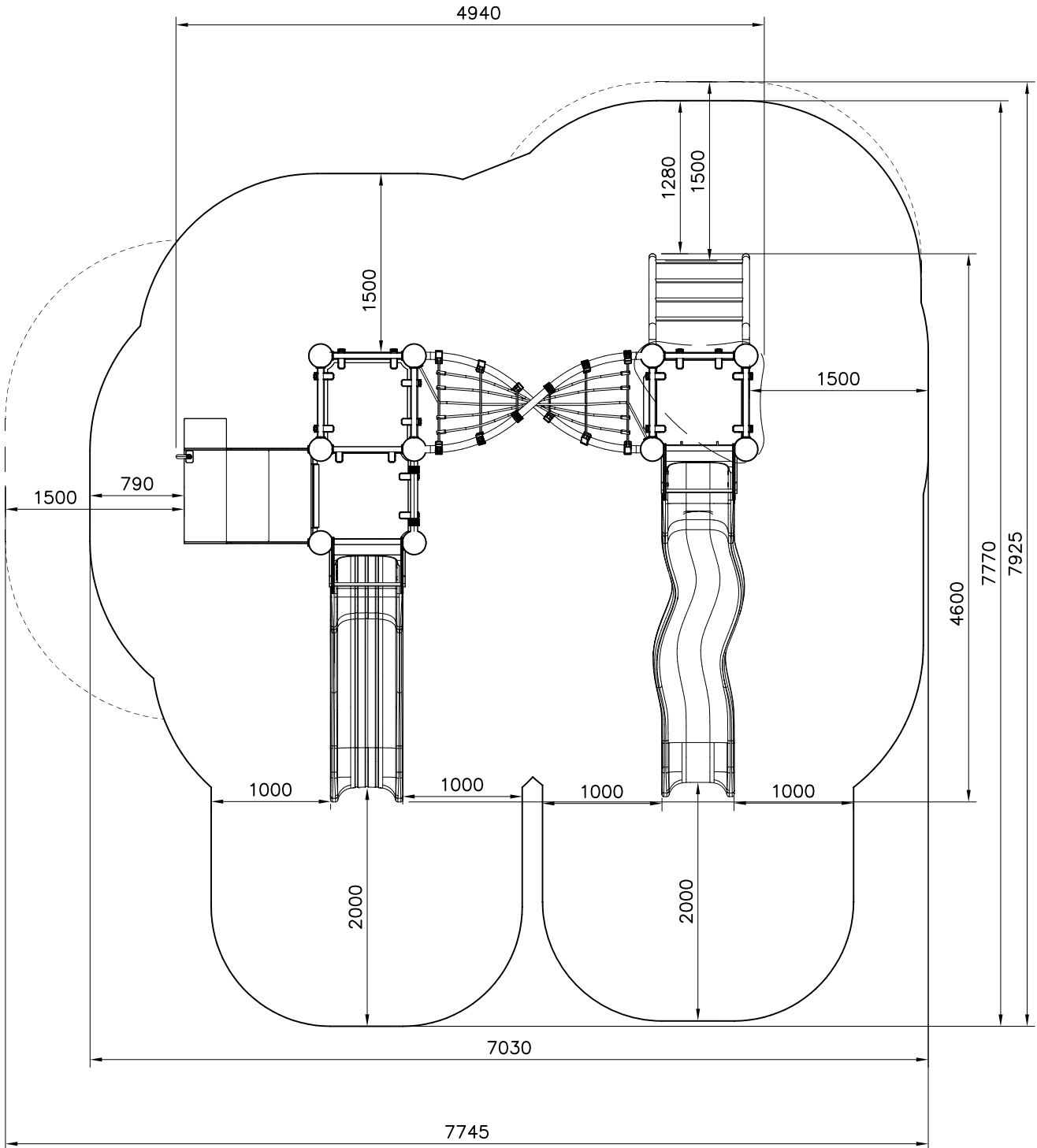
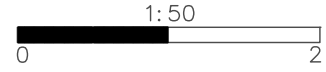
DATE: 25.4.2022

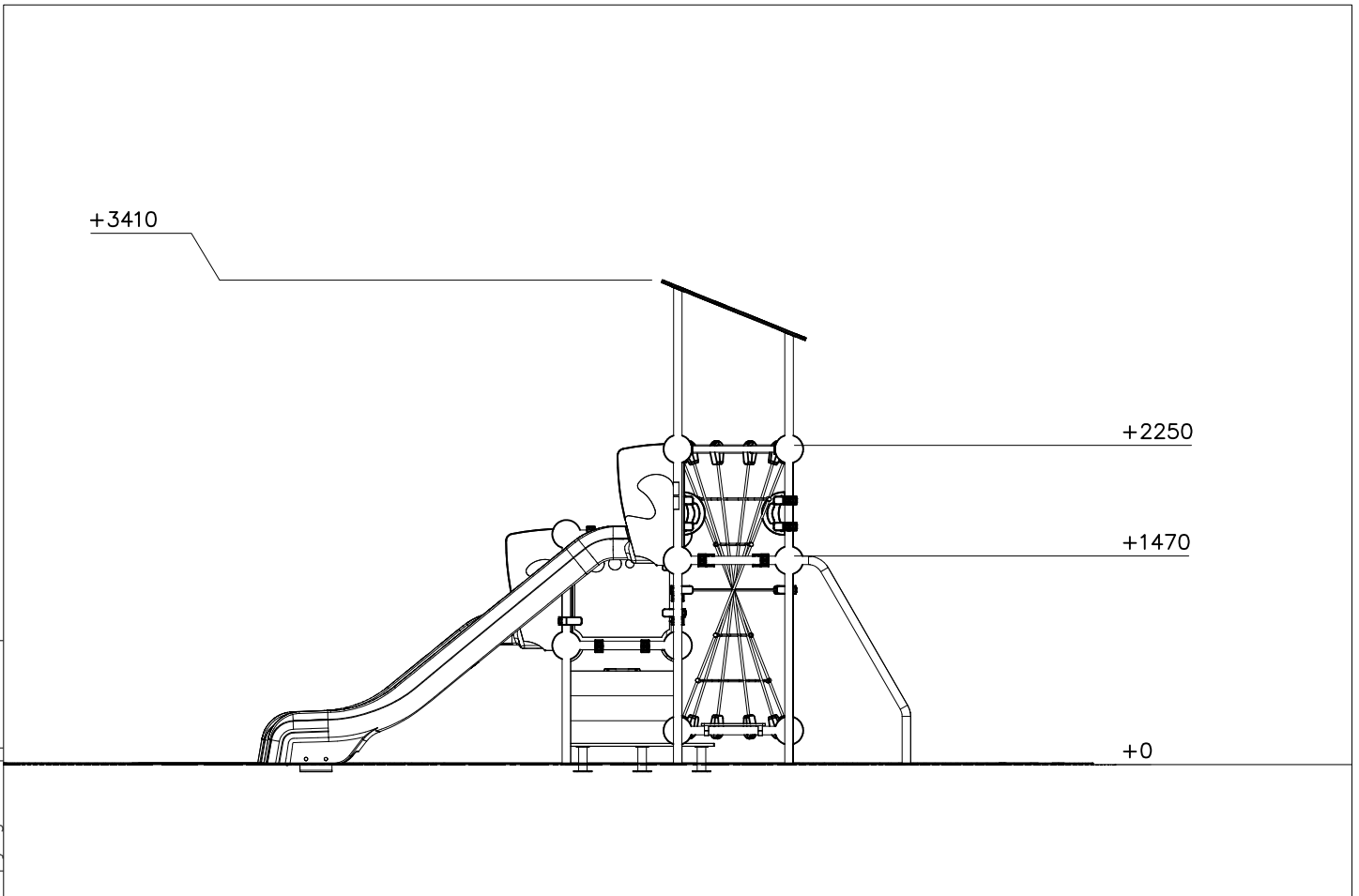
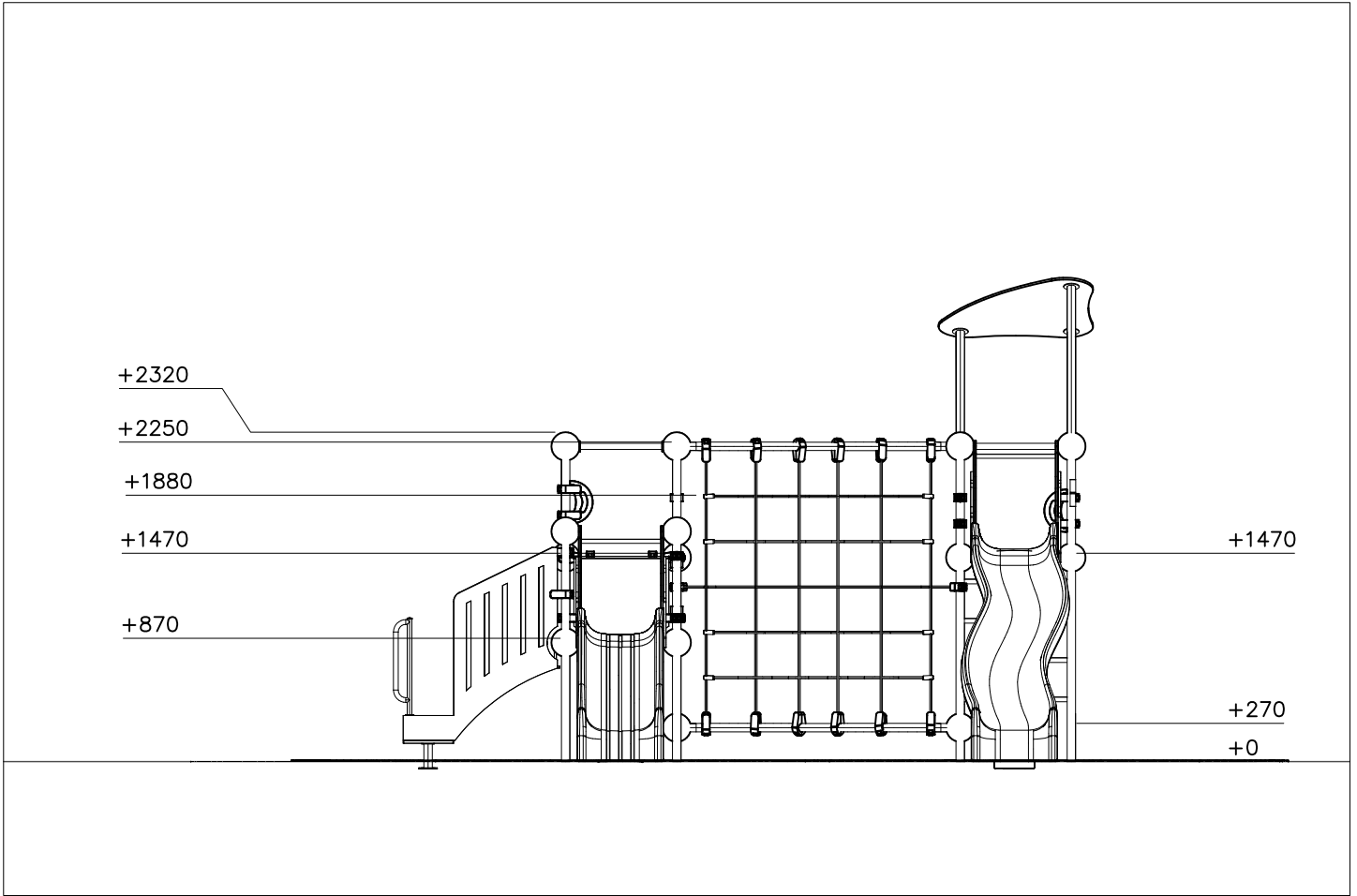
702341  90x50	PCS 1	702633  90x50	PCS 1	704070  	PCS 1	704159  	PCS 4	704179  	PCS 1	704199  	PCS 1
704332  	PCS 1	704425  	PCS 2	704432  	PCS 1	704671  	PCS 1	704769  	PCS 2	704803  	PCS 1
704850  	PCS 1	705171  	PCS 1	902022  L 710	PCS 8	902134  	PCS 25	902157  60x60x2	PCS 59	904100  Ø60/40	PCS 14
904459  L 2237	PCS 3	904460  L 2237	PCS 3	904507  L 1637	PCS 2	904819  Ø44.5x710	PCS 7	909628  M10x100	PCS 32	A10662-1  	PCS 1
A10663  	PCS 1		PCS		PCS		PCS		PCS		PCS
	PCS		PCS		PCS		PCS		PCS		PCS
	PCS		PCS		PCS		PCS		PCS		PCS

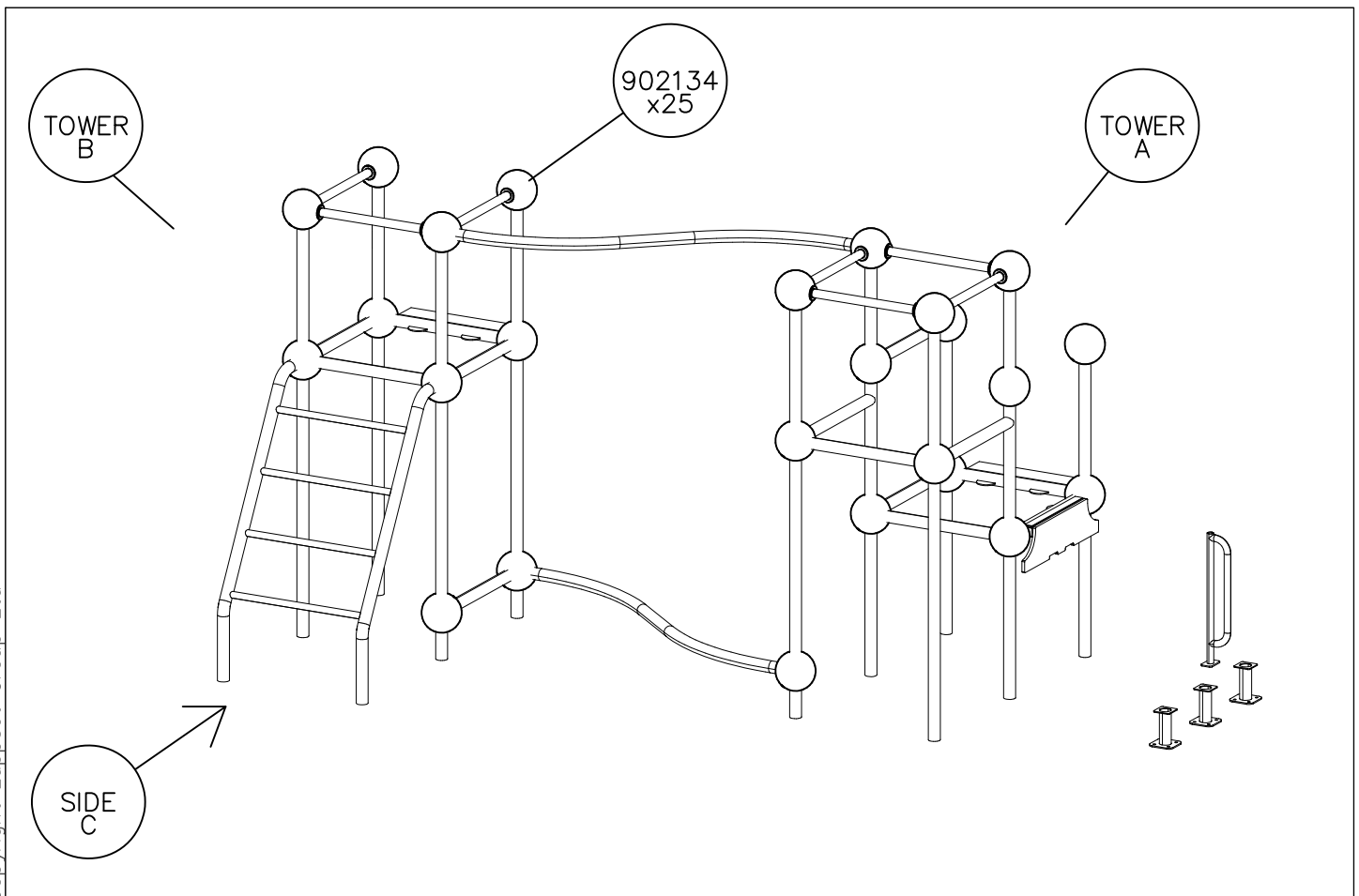
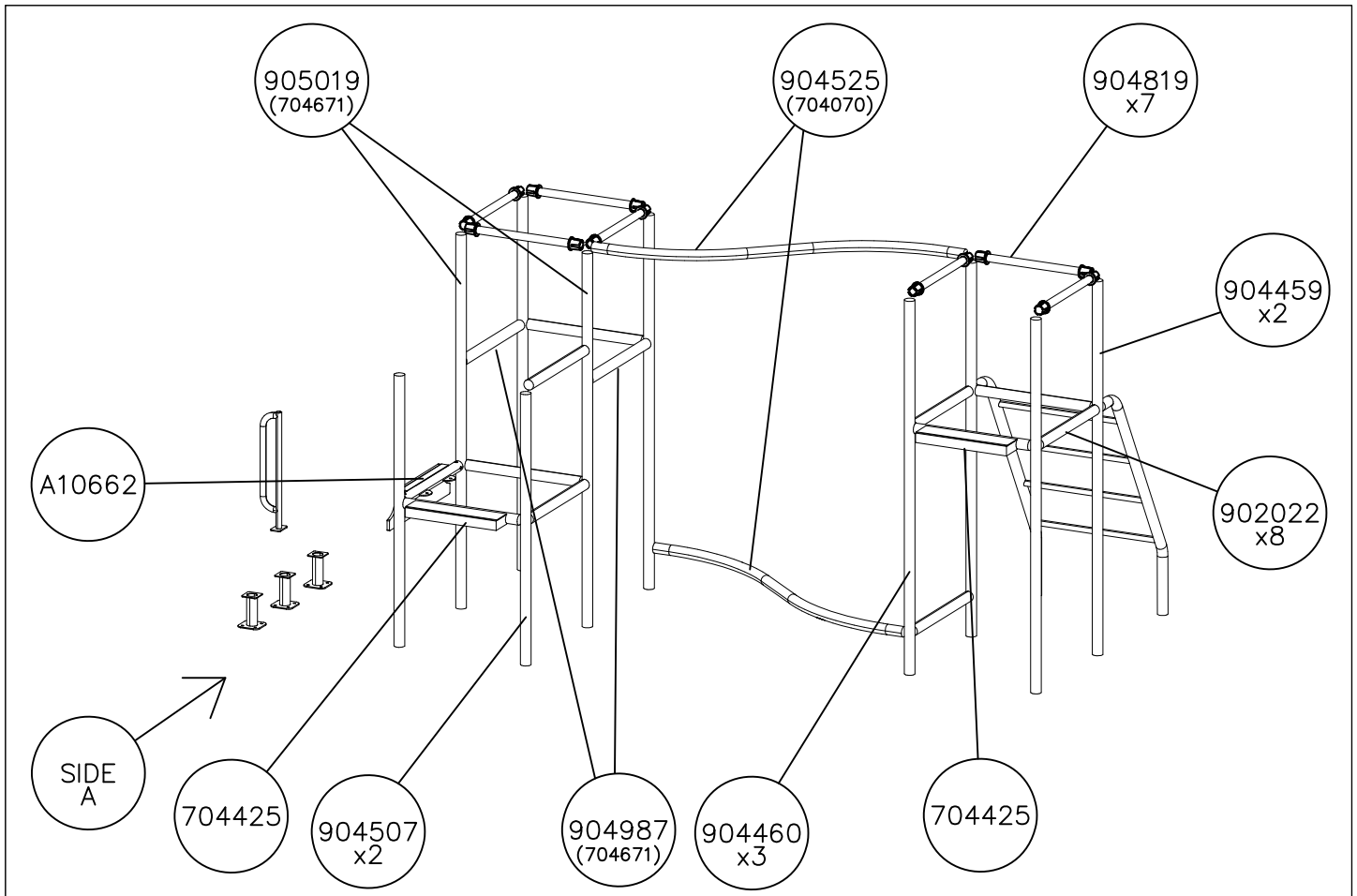




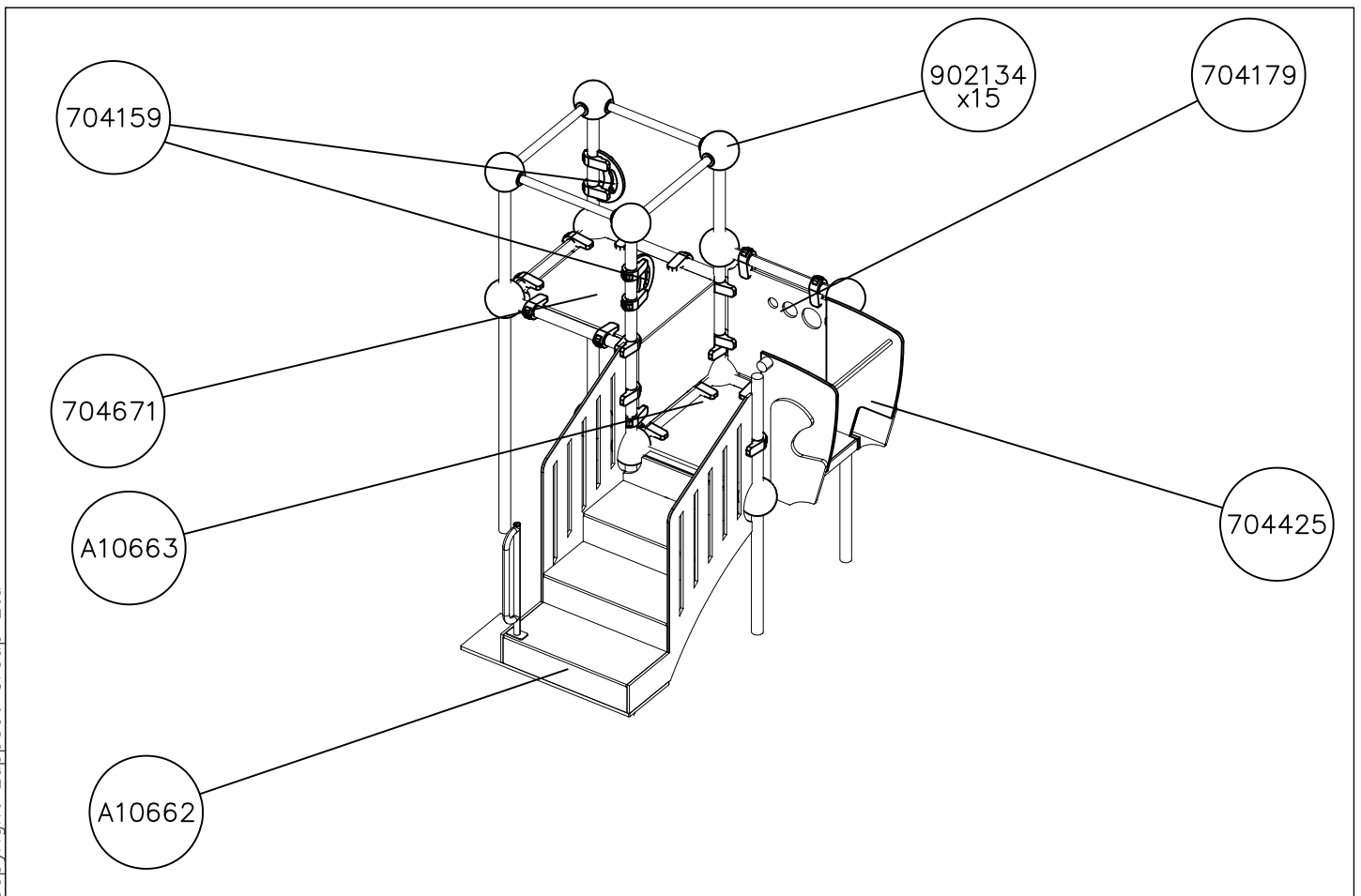
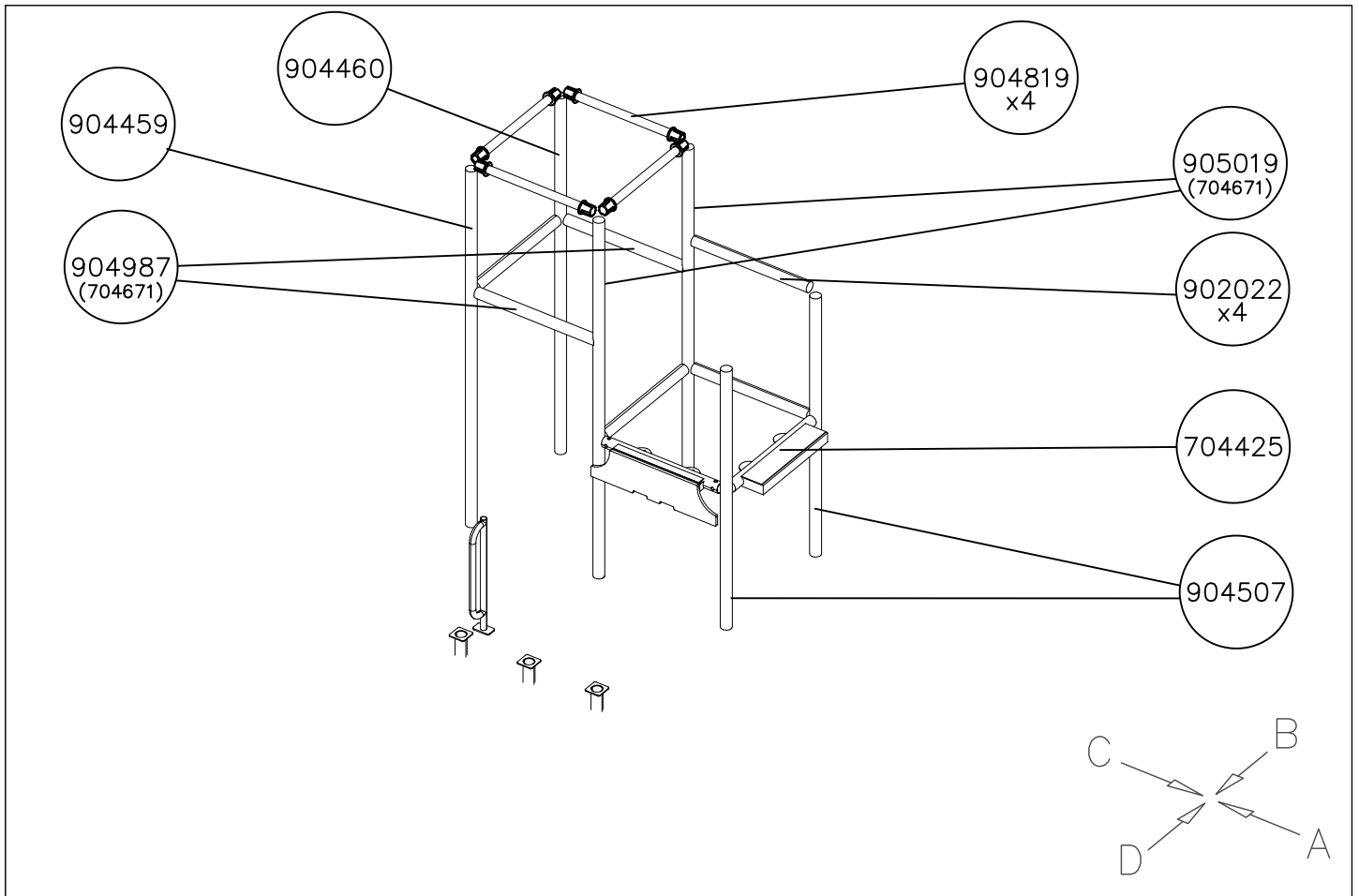
— EN/AS Impact Area 44.8 m<sup>2</sup>  
- - - Falling Space 48.1 m<sup>2</sup>  
Max Falling Height 2250 mm







DATE: 25.4.2022

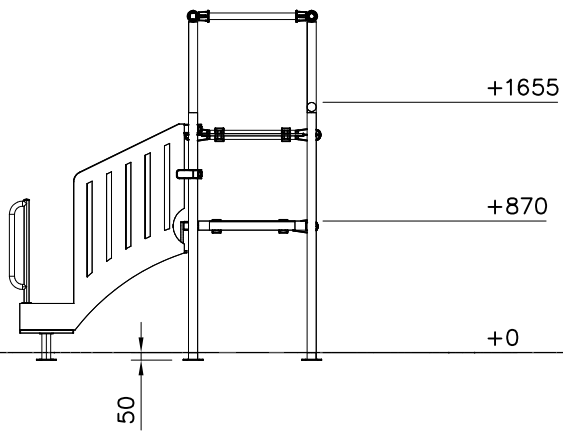




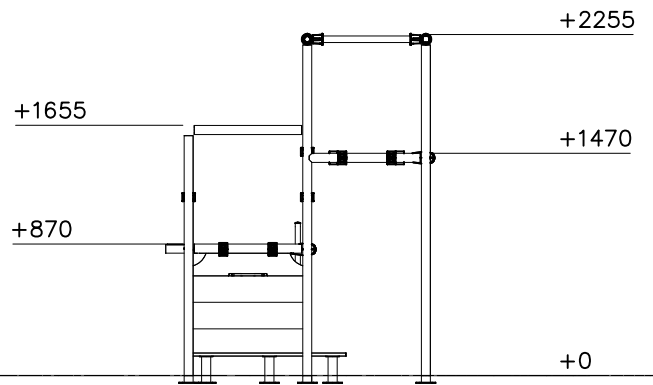
DATE: 25.4.2022

1:50

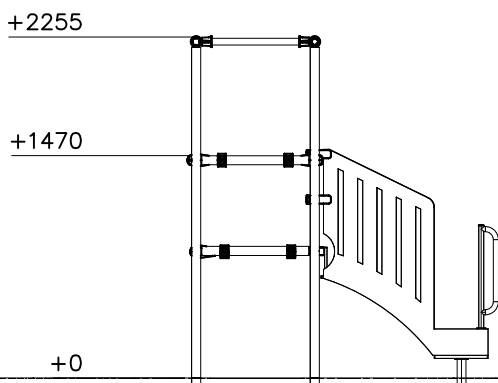
A



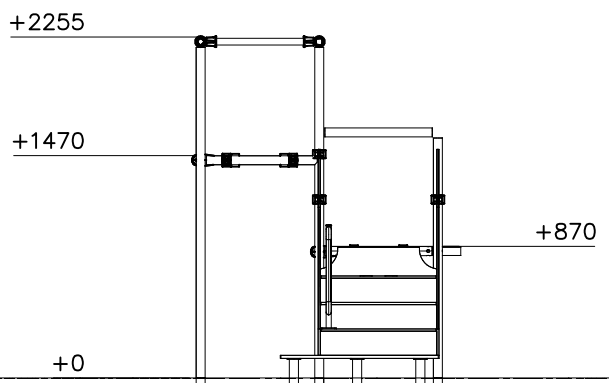
B

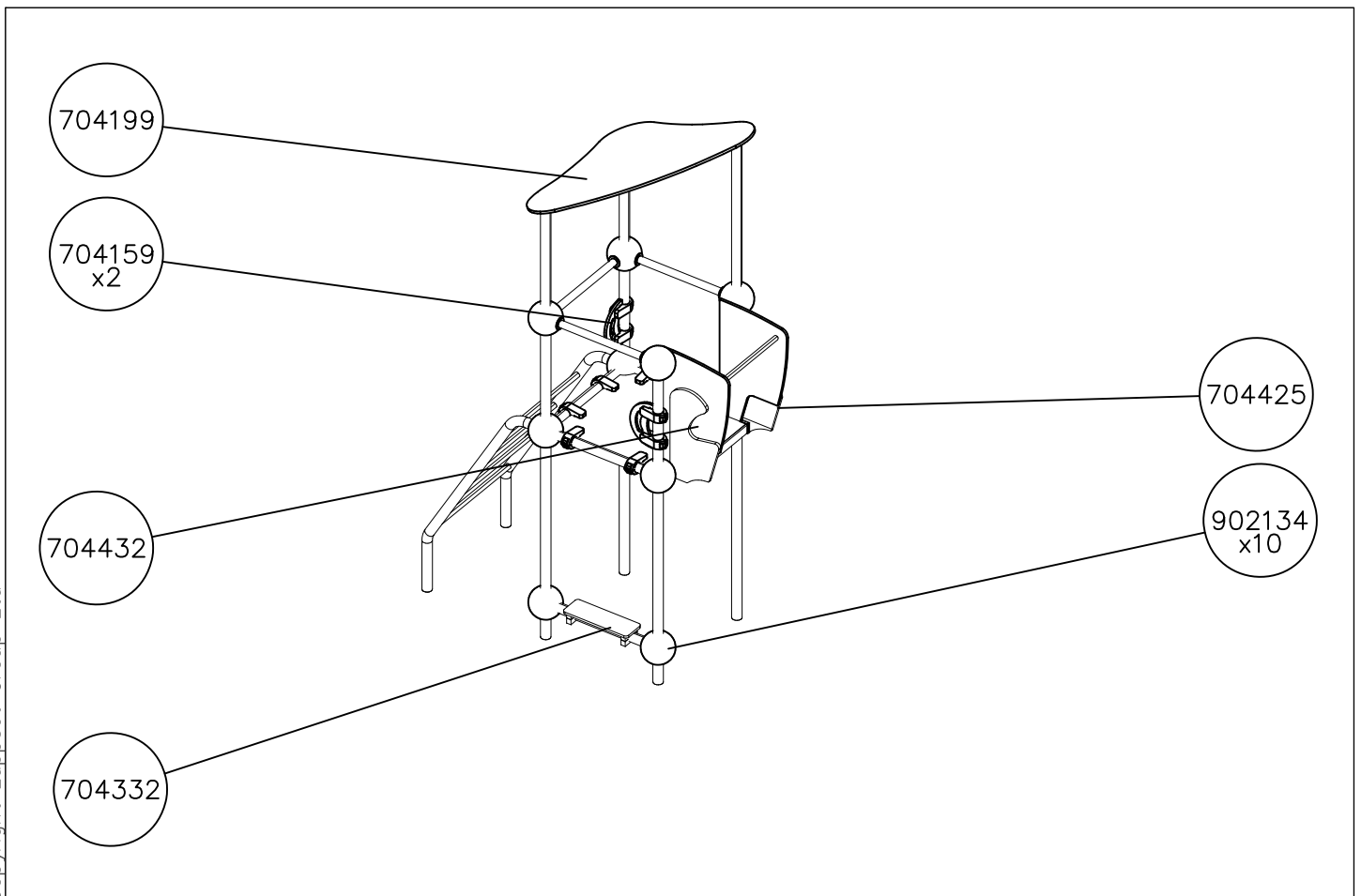
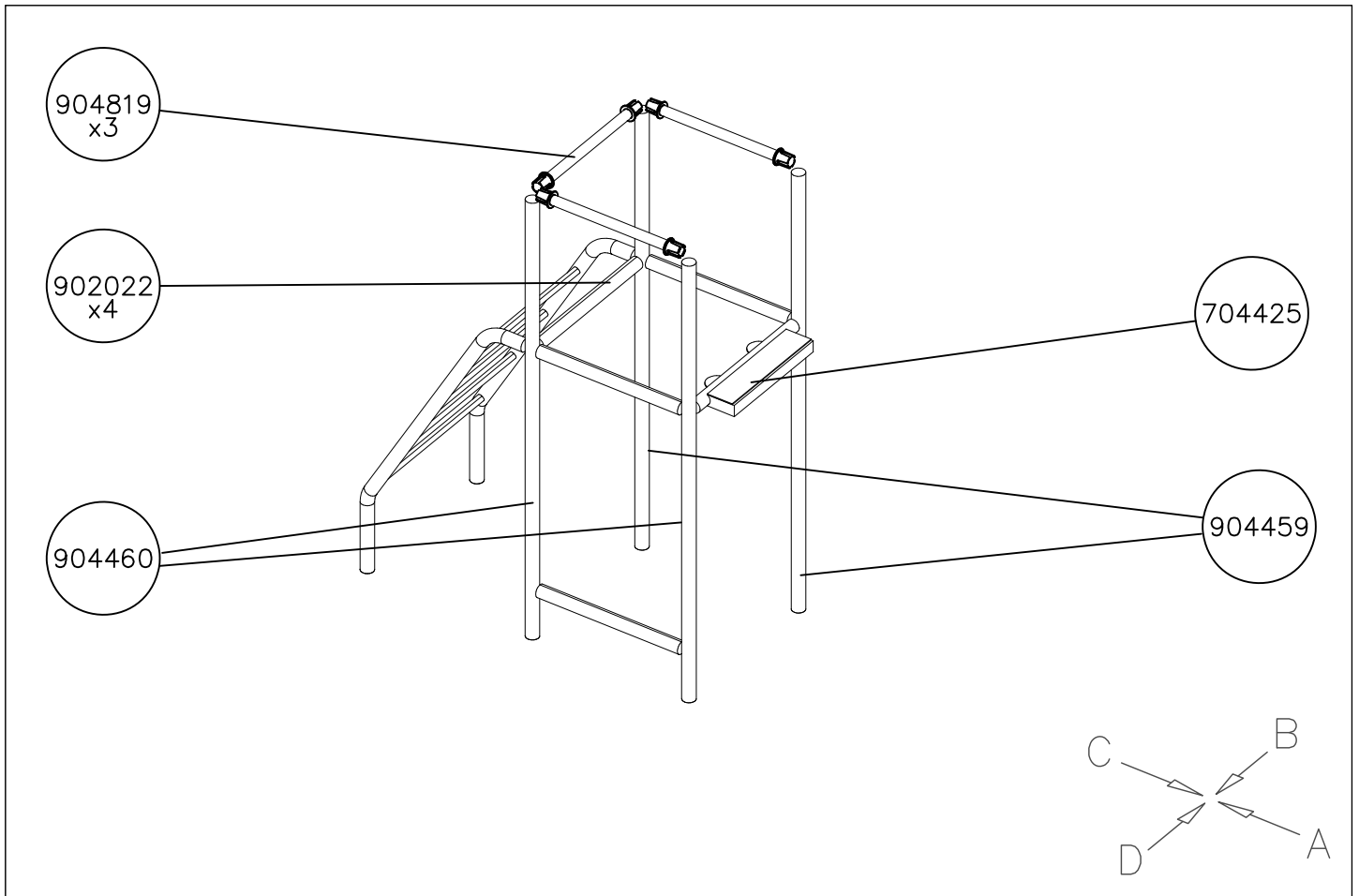


C



D

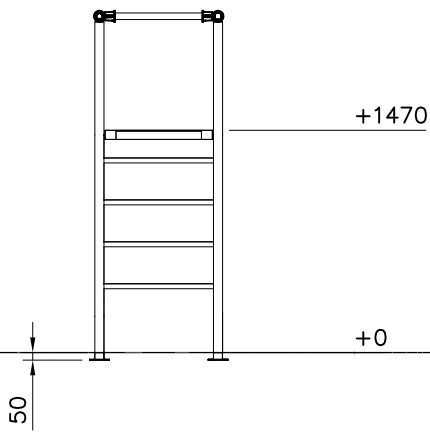




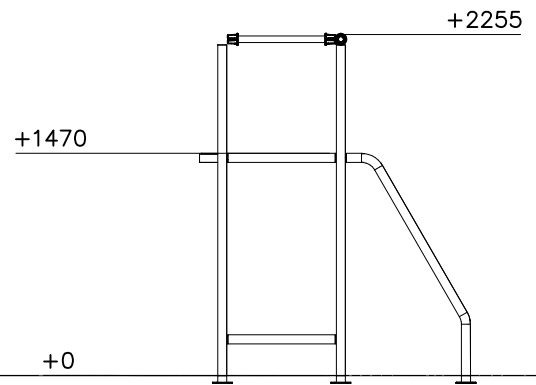
DATE: 25.4.2022

1:50

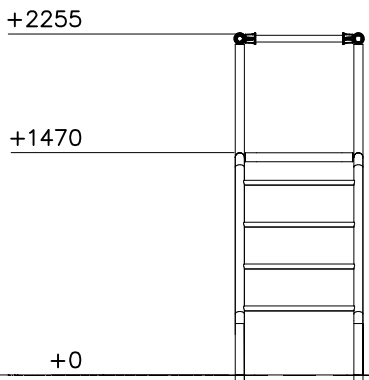
A



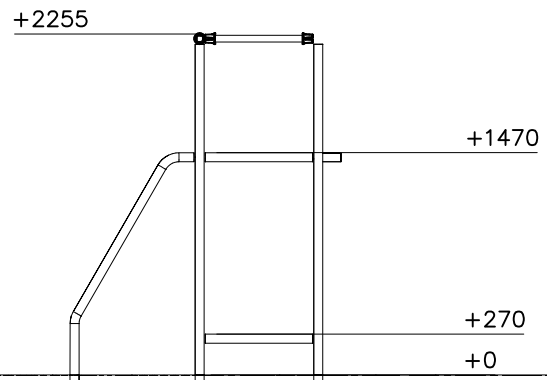
B

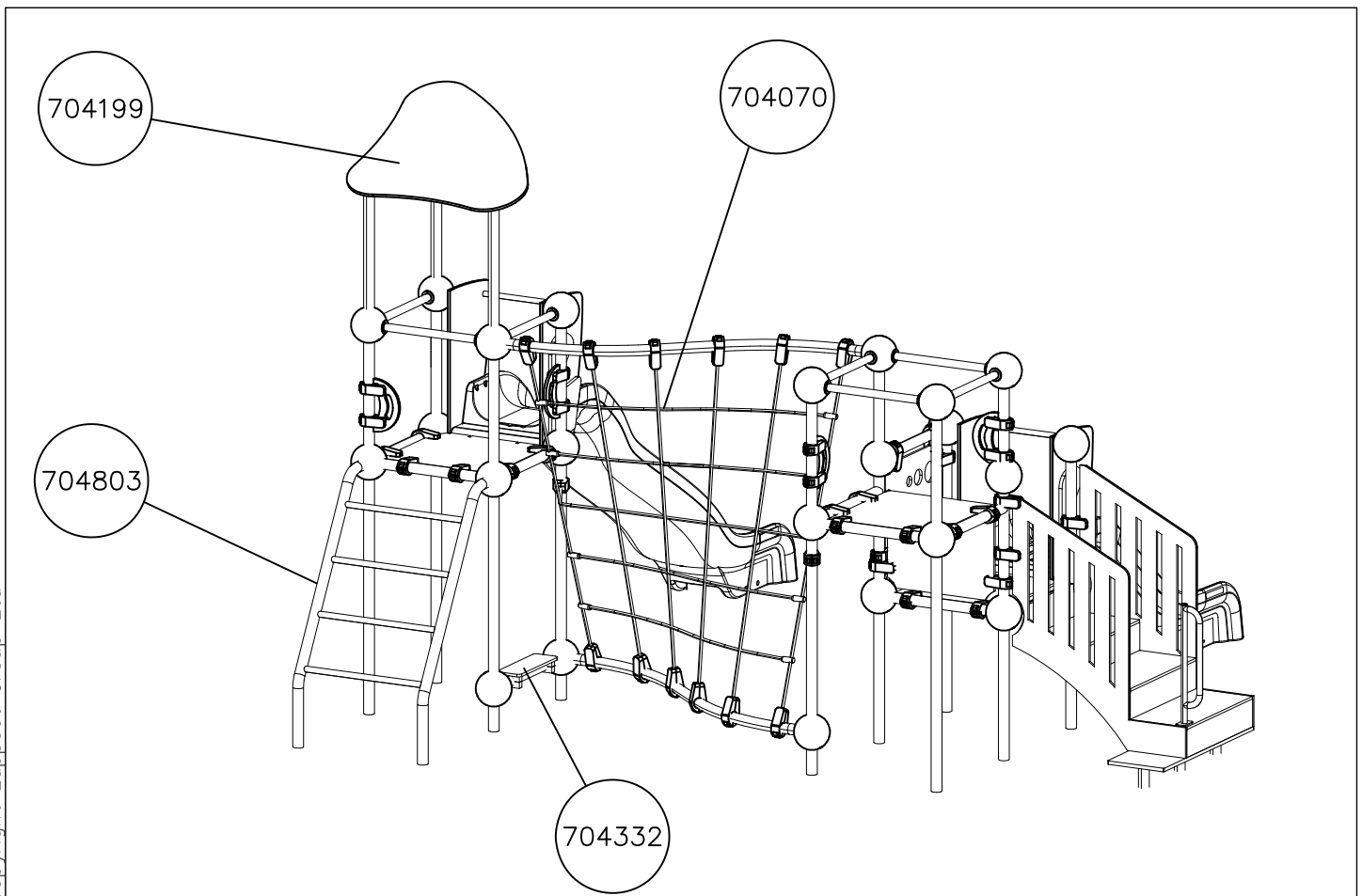
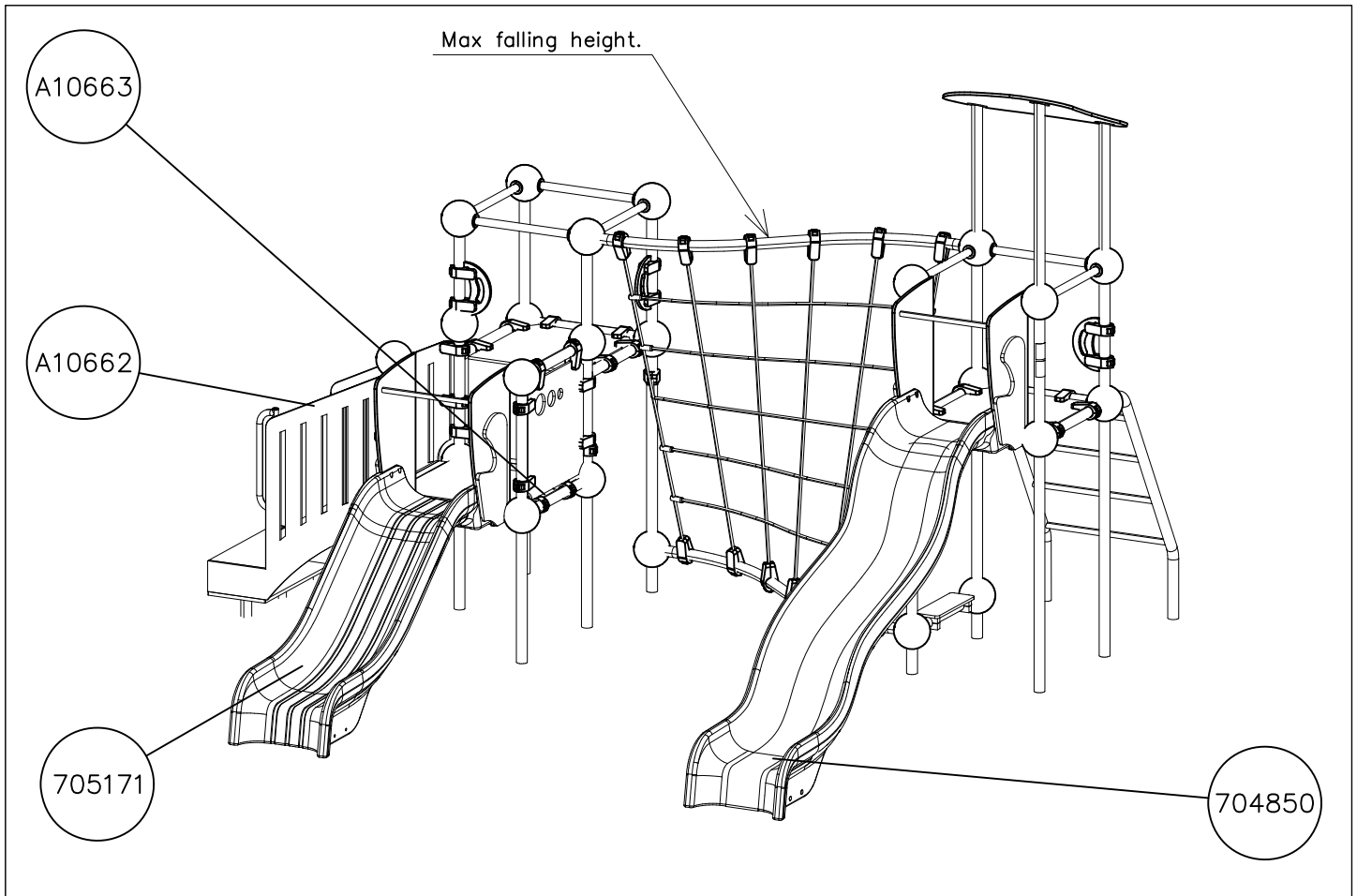


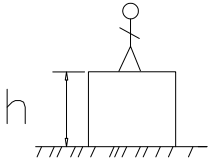



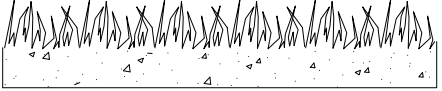
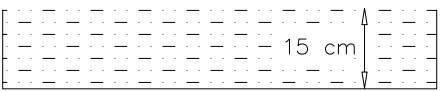
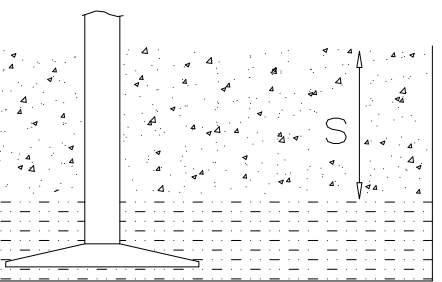
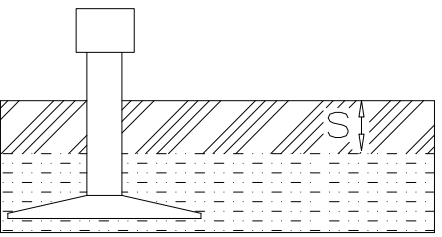
C



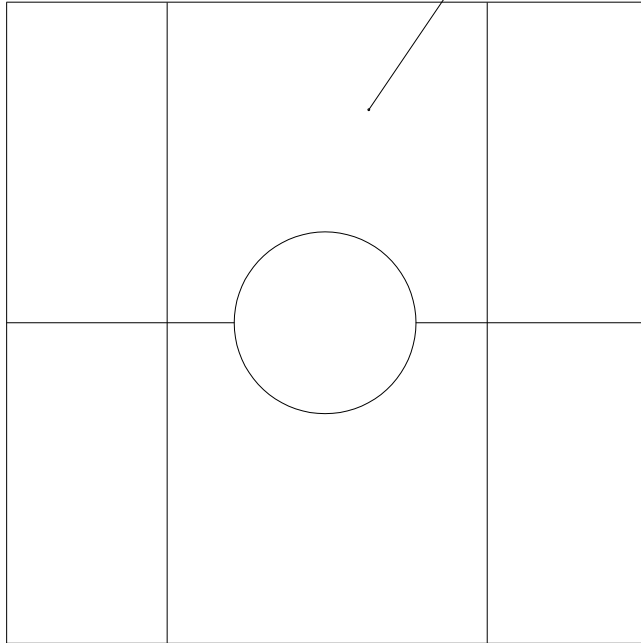
D



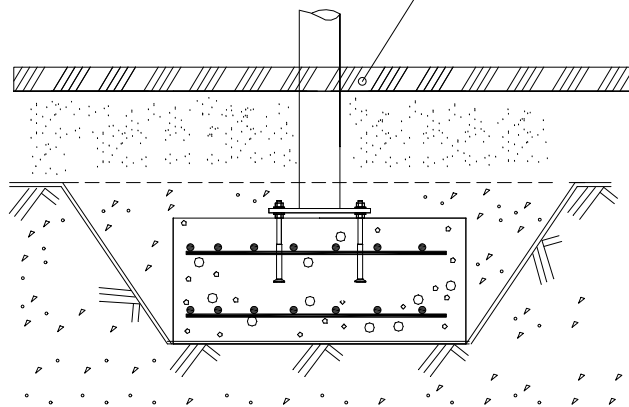


												
<p><b><math>h &lt; 600</math></b></p> <p>Without movement and therefore without Impact Area</p>	<p>Totally hard surfaces.</p> <p>Note. Lappset does <u>not recommend</u> totally hard surfaces at all.</p>	<p>E.g. concrete or asphalt</p> 										
<p><b><math>h &lt; 600</math></b></p> <p>With movement e.g. rocking</p>	<p>Materials with very limited impact attenuating properties.</p>	<p>E.g. wood</p> 										
<p><b><math>h &lt; 1000</math></b></p>	<p>Materials with significant impact attenuating properties.</p>	<p>fine gravel 0–8 mm</p>  <p>grass</p>  <p>unsorted sand</p> 										
<p><b><math>h &lt; 3000</math></b></p>	<p>Loose fill material</p> <p>E.g. sand/gravel 0,25...8 mm D60/D10&lt;3,0 Woodchips 5...30 mm bark 20...80 mm</p>	 <table data-bbox="1021 1691 1332 1792"> <tr> <td><math>\underline{S}</math></td> <td><math>\underline{h}</math></td> </tr> <tr> <td>30 cm</td> <td>&lt; 2,0 m</td> </tr> <tr> <td>40 cm</td> <td>&lt; 3,0 m</td> </tr> </table>	$\underline{S}$	$\underline{h}$	30 cm	< 2,0 m	40 cm	< 3,0 m				
$\underline{S}$	$\underline{h}$											
30 cm	< 2,0 m											
40 cm	< 3,0 m											
	<p>Syntethic granulates</p> <table data-bbox="406 1892 758 2060"> <tr> <td><math>\underline{S}</math></td> <td><math>\underline{h}</math></td> </tr> <tr> <td>40 mm</td> <td>~&gt; 1,2...1,3 m</td> </tr> <tr> <td>50 mm</td> <td>~&gt; 1,5...1,7 m</td> </tr> <tr> <td>60 mm</td> <td>~&gt; 1,8...2,0 m</td> </tr> <tr> <td>70 mm</td> <td>~&gt; 2,1...2,5 m</td> </tr> </table> <p>Note. For accurate values, see manufacturer's instructions.</p>	$\underline{S}$	$\underline{h}$	40 mm	~> 1,2...1,3 m	50 mm	~> 1,5...1,7 m	60 mm	~> 1,8...2,0 m	70 mm	~> 2,1...2,5 m	
$\underline{S}$	$\underline{h}$											
40 mm	~> 1,2...1,3 m											
50 mm	~> 1,5...1,7 m											
60 mm	~> 1,8...2,0 m											
70 mm	~> 2,1...2,5 m											

REMOVE SAFETY SURFACE/SAND/GRAVEL  
TO CHECK FOUNDATION



REMOVE SAFETY SURFACE/SAND/GRAVEL  
TO CHECK FOUNDATION

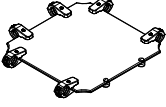
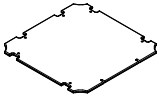
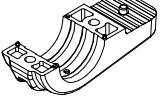
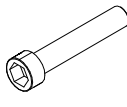
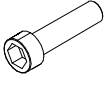
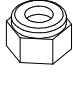
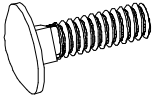
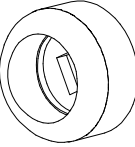

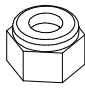
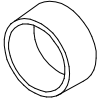
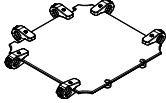
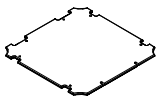
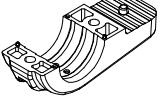
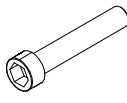
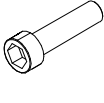
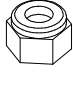
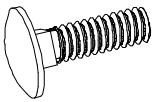
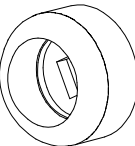

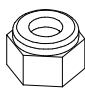
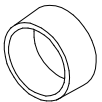
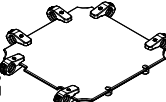
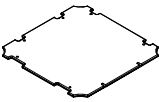
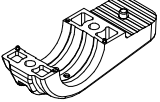
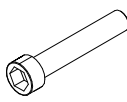
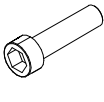
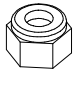
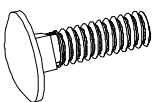
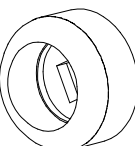

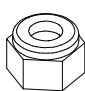
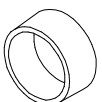


# LAPPSET® FLOOR (SLIDE)

# CLOXX

DATE: 3.10.2013

1(3)

○ 704432 	○ 704038 	PCS 1	○ 902124  150x50x50	PCS 12	○ 902232  M10x55	PCS 6	○ 902233  M10x30	PCS 6	○ 980161  M10	PCS 12		PCS
		PCS	○ 909109  M12x40	PCS 2	○ 905090  Ø45	PCS 2	○ 980154  Ø24/13	PCS 2	○ 909248  M12	PCS 2	○ 905115  Ø32	PCS 2
		PCS		PCS		PCS		PCS		PCS		PCS
○ 704447 	○ 704446 	PCS 1	○ 902124  150x50x50	PCS 12	○ 902232  M10x55	PCS 6	○ 902233  M10x30	PCS 6	○ 980161  M10	PCS 12		PCS
		PCS	○ 909109  M12x40	PCS 2	○ 905090  Ø45	PCS 2	○ 980154  Ø24/13	PCS 2	○ 909248  M12	PCS 2	○ 905115  Ø32	PCS 2
		PCS		PCS		PCS		PCS		PCS		PCS
○ 704666 	○ 704667 	PCS 1	○ 902124  150x50x50	PCS 12	○ 902232  M10x55	PCS 6	○ 902233  M10x30	PCS 6	○ 980161  M10	PCS 12		PCS
		PCS	○ 909109  M12x40	PCS 2	○ 905090  Ø45	PCS 2	○ 980154  Ø24/13	PCS 2	○ 909248  M12	PCS 2	○ 905115  Ø32	PCS 2
		PCS		PCS		PCS		PCS		PCS		PCS

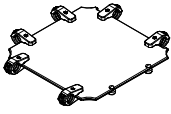
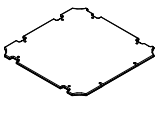
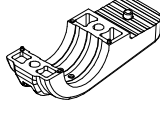
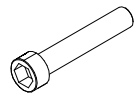
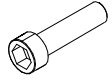
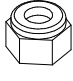
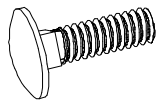
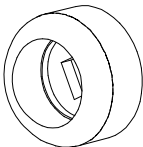
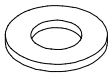

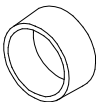
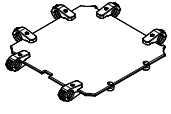
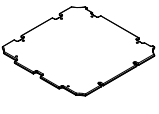
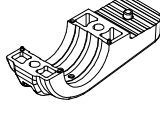
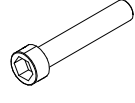
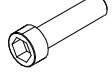
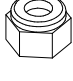
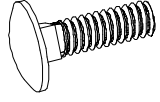
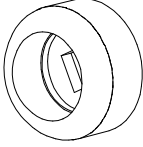

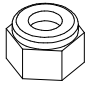
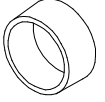
# LAPPSET®

## FLOOR (SLIDE)

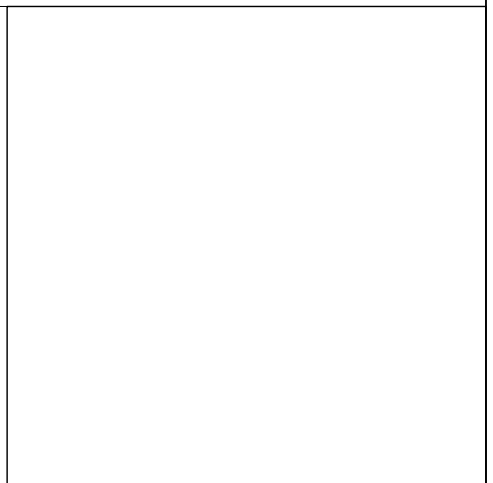
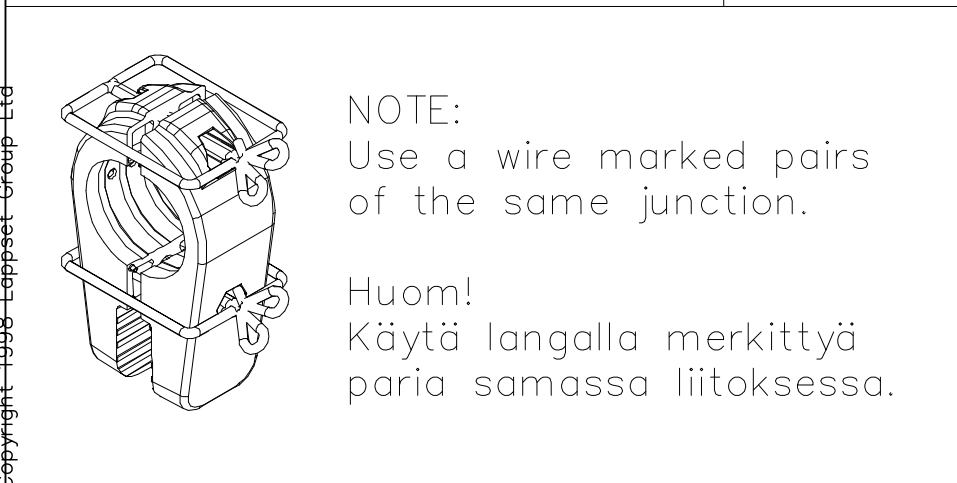
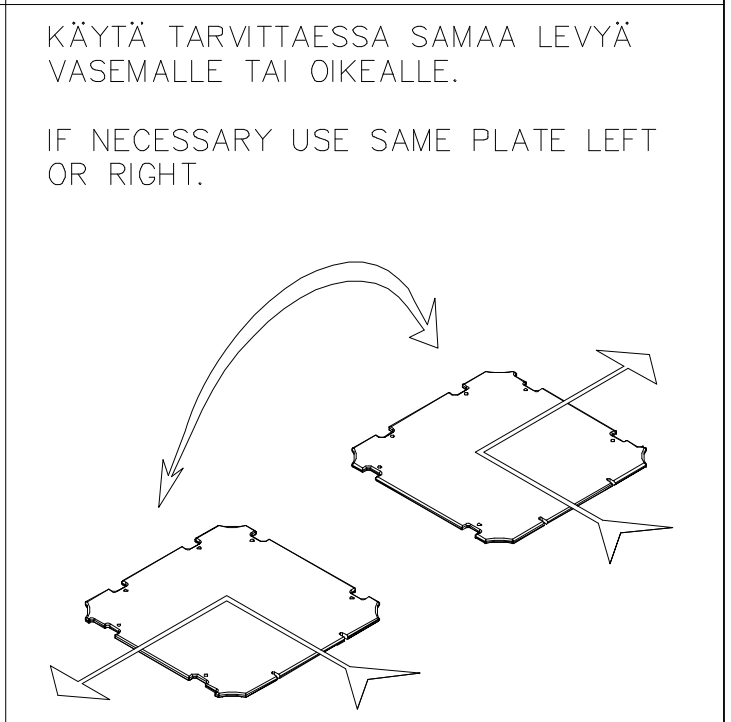
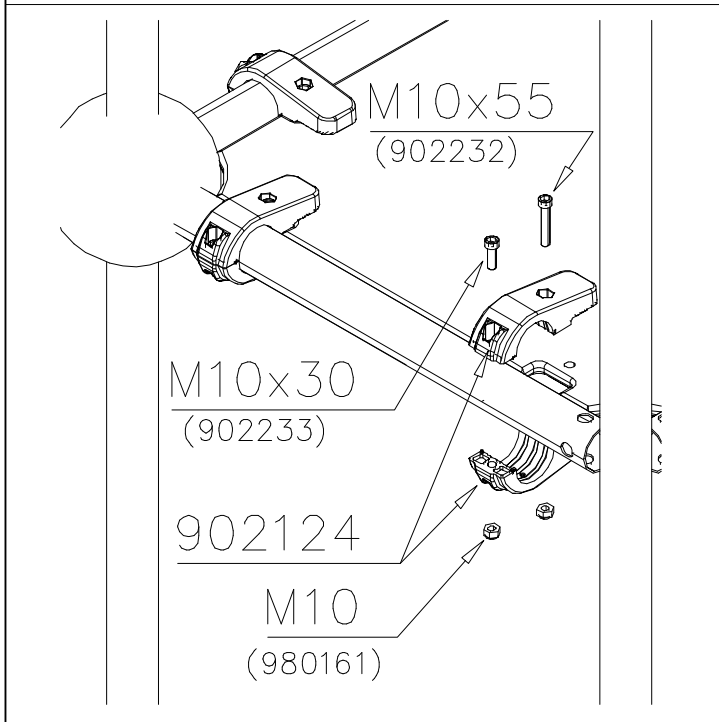
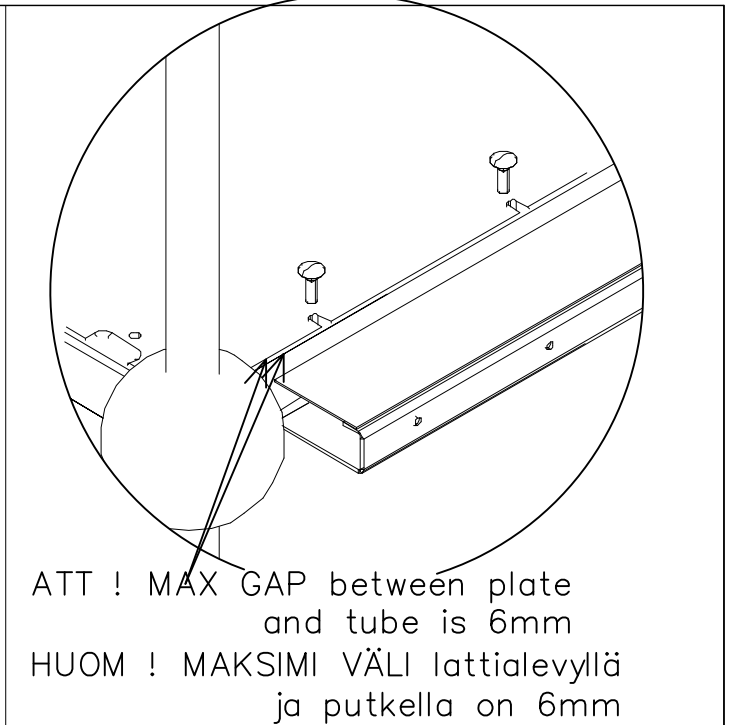
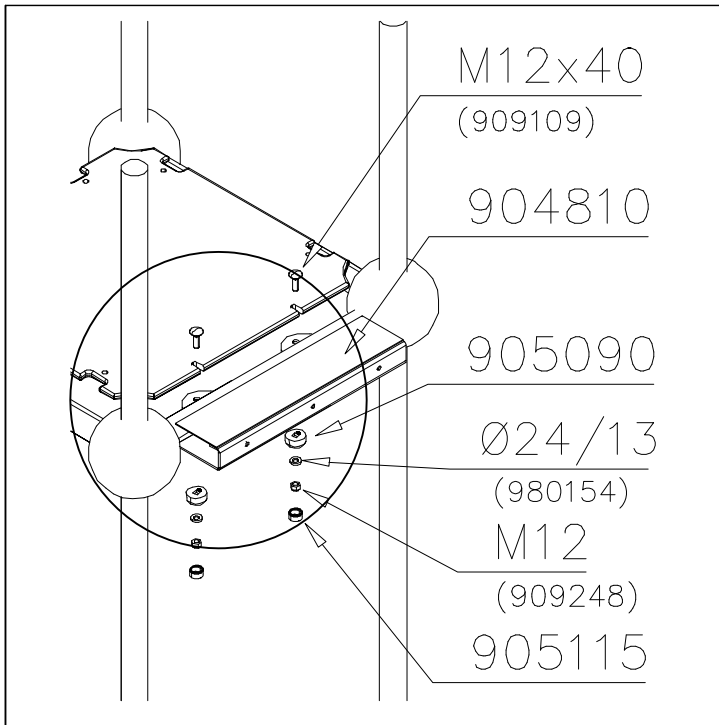
# CLOXX

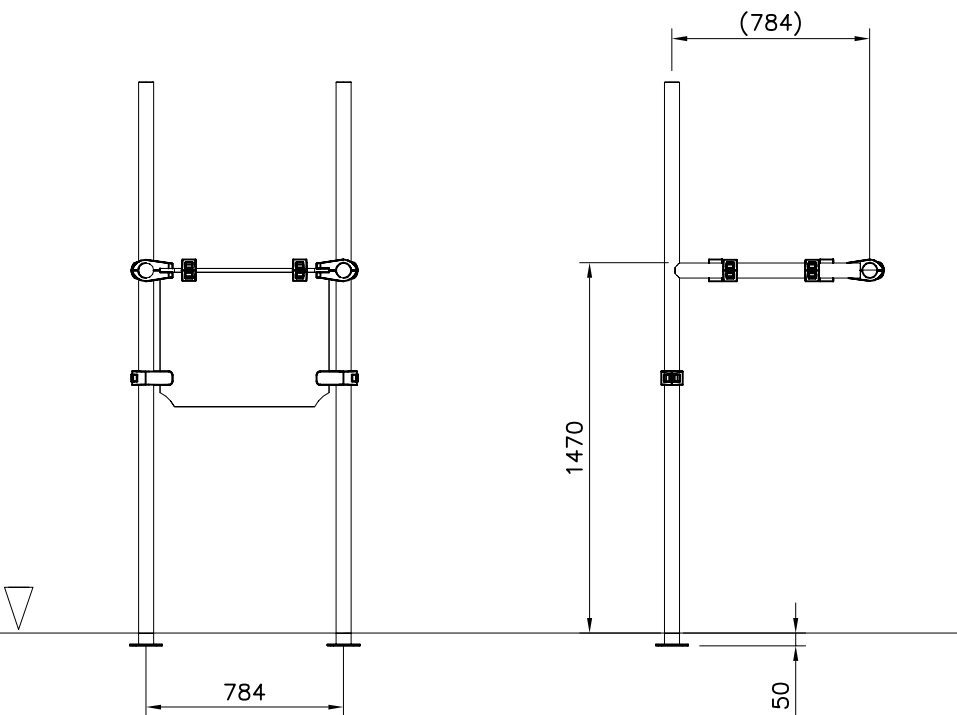
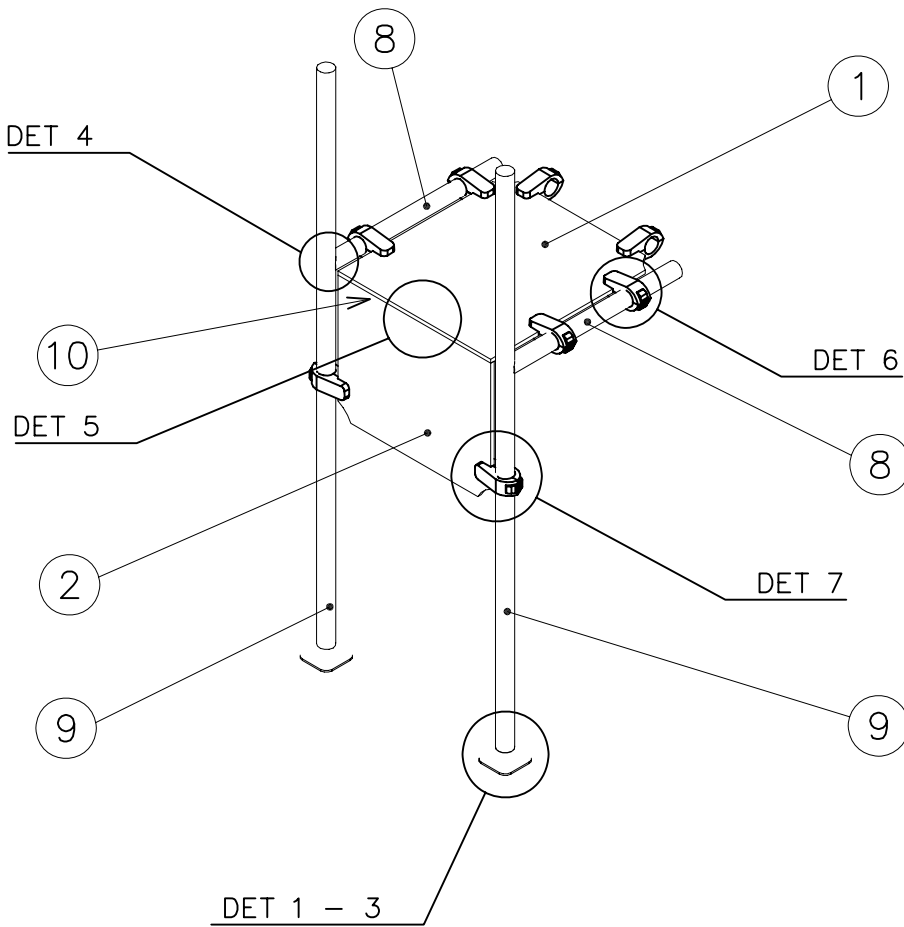
DATE: 3.10.2013

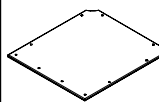
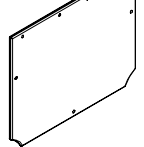
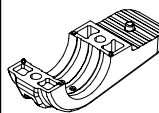
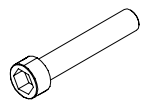
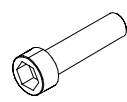
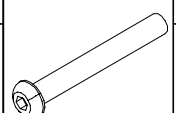

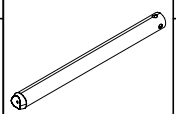

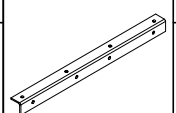

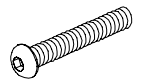
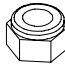
2(3)

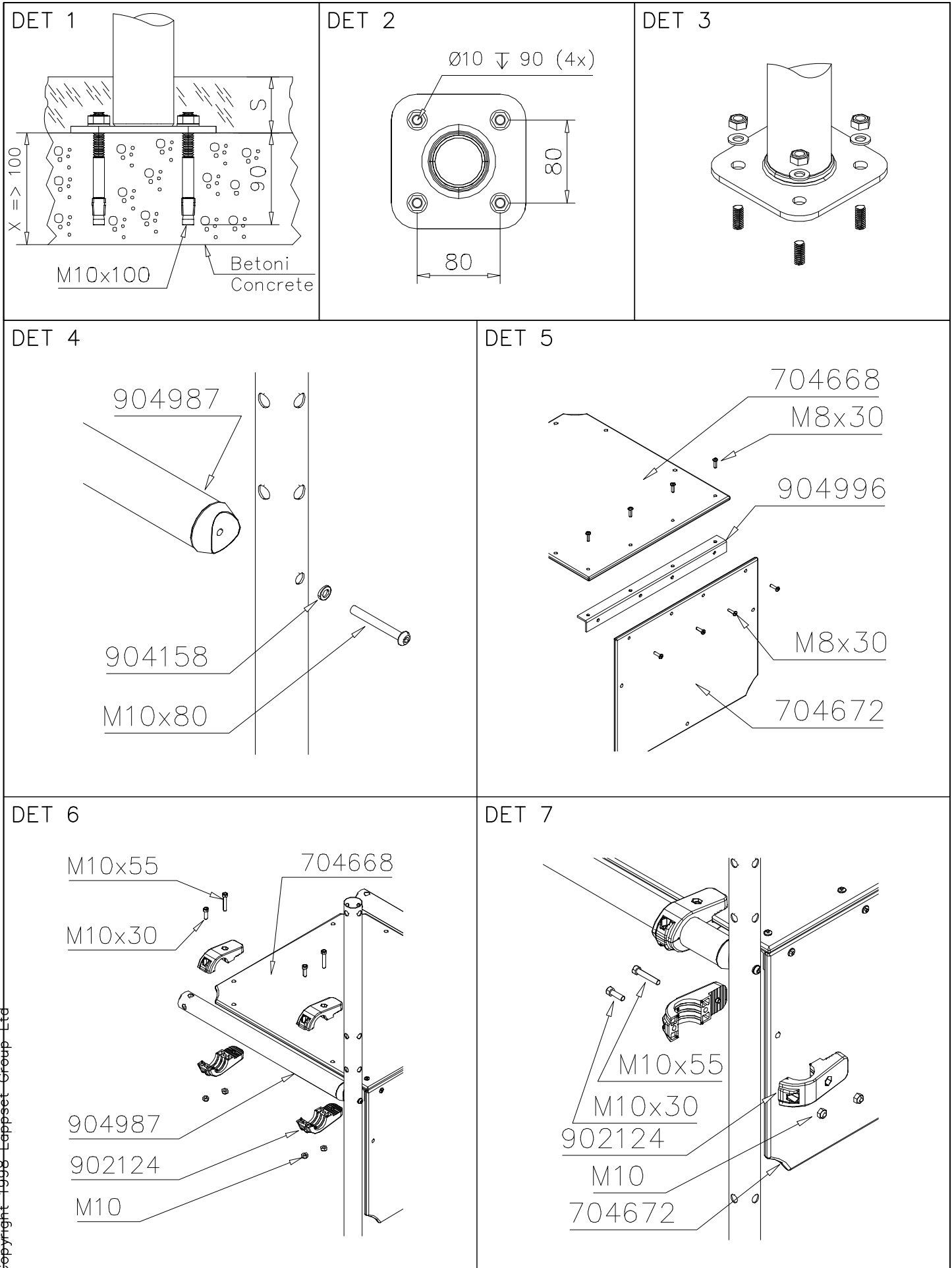
○ 704684 	○ 704685 	PCS 1	○ 902124  150x50x50	PCS 12	○ 902232  M10x55	PCS 6	○ 902233  M10x30	PCS 6	○ 980161  M10	PCS 12		PCS
		PCS	○ 909109  M12x40	PCS 2	○ 905090  Ø45	PCS 2	○ 980154  Ø24/13	PCS 2	○ 909248  M12	PCS 2	○ 905115  Ø32	PCS 2
		PCS		PCS		PCS		PCS		PCS		PCS
○ 704692 	○ 704693 	PCS 1	○ 902124  150x50x50	PCS 12	○ 902232  M10x55	PCS 6	○ 902233  M10x30	PCS 6	○ 980161  M10	PCS 12		PCS
		PCS	○ 909109  M12x40	PCS 2	○ 905090  Ø45	PCS 2	○ 980154  Ø24/13	PCS 2	○ 909248  M12	PCS 2	○ 905115  Ø32	PCS 2
		PCS		PCS		PCS		PCS		PCS		PCS
		PCS		PCS		PCS		PCS		PCS		PCS
		PCS		PCS		PCS		PCS		PCS		PCS

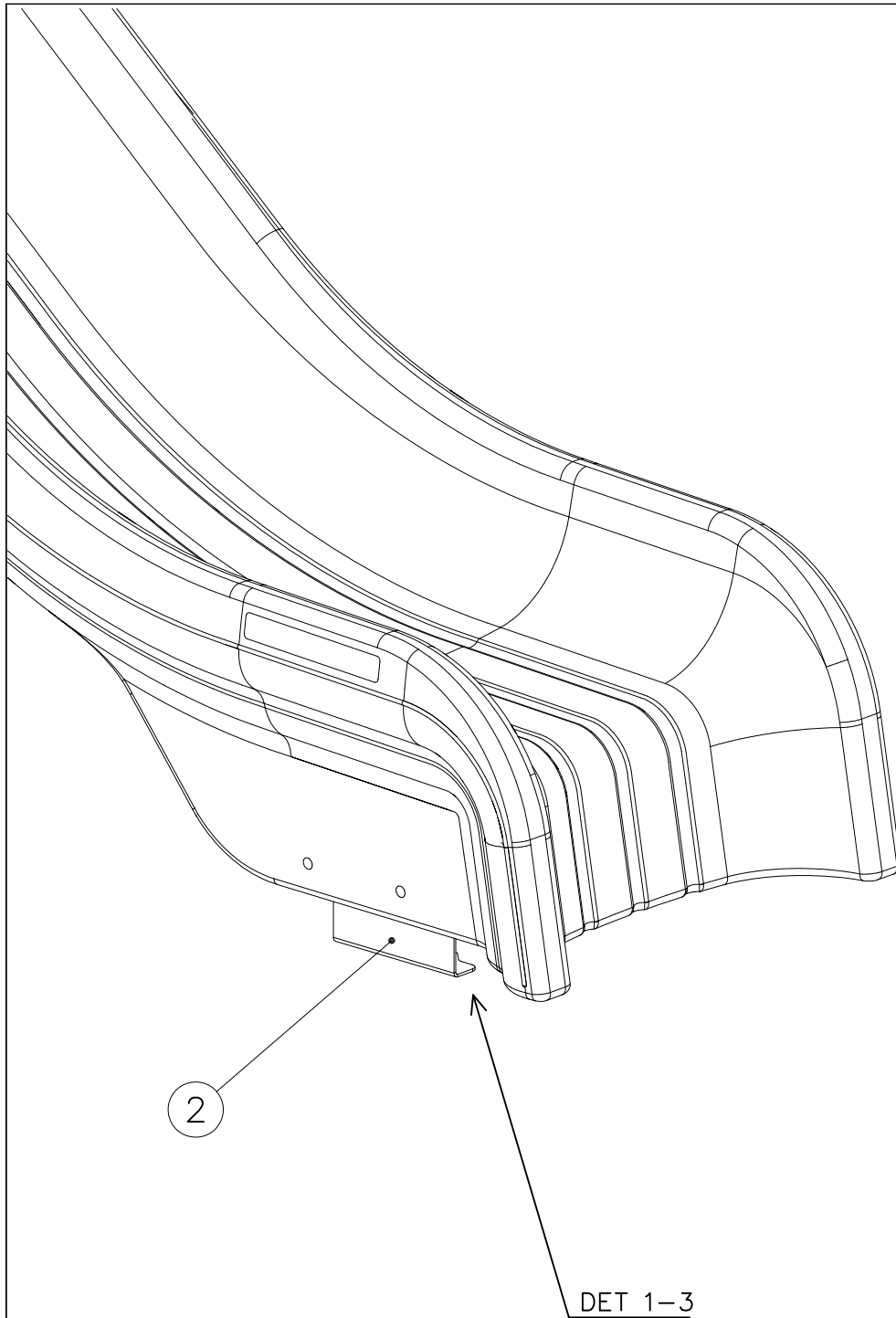


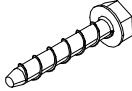
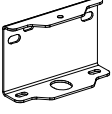
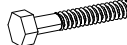






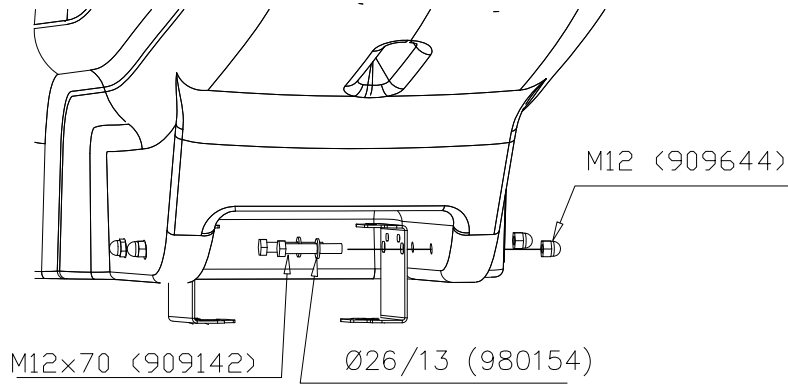
① 704668	PCS	② 704672	PCS
	1		1
15x670x734		15x670x534	
③ 902124	PCS	④ 902232	PCS
	16		8
150x50x50		M10x55	
⑤ 902233	PCS	⑥ 904133	PCS
	8		2
M10x30		M10x80	
⑦ 904158	PCS	⑧ 904987	PCS
	2		2
⑨ 904992	PCS	⑩ 904996	PCS
	2		1
130x130x2237			
⑪ 909628	PCS	⑫ 909852	PCS
	8		8
M10x100		M8x30	
⑬ 980161	PCS		PCS
	16		
M10			
	PCS		PCS



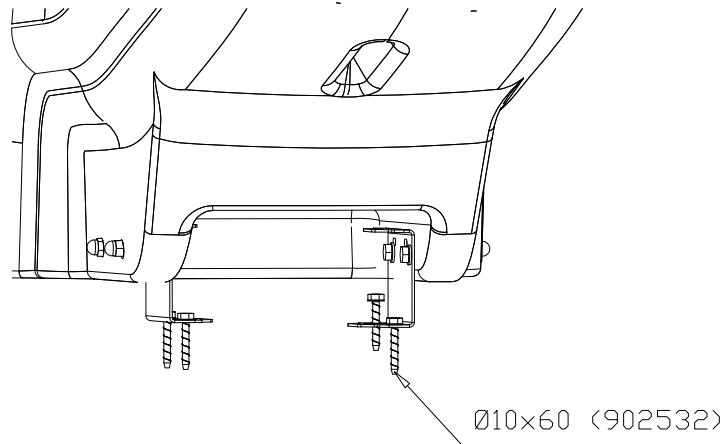


① 902532	PCS	② 908021	PCS
	4		2
Ø10x60			
③ 909142	PCS	④ 980154	PCS
	4		4
M12x70		Ø24/13	
⑤ 909644	PCS		PCS
	4		
M12			
	PCS		PCS
	PCS		PCS
	PCS		PCS
	PCS		PCS

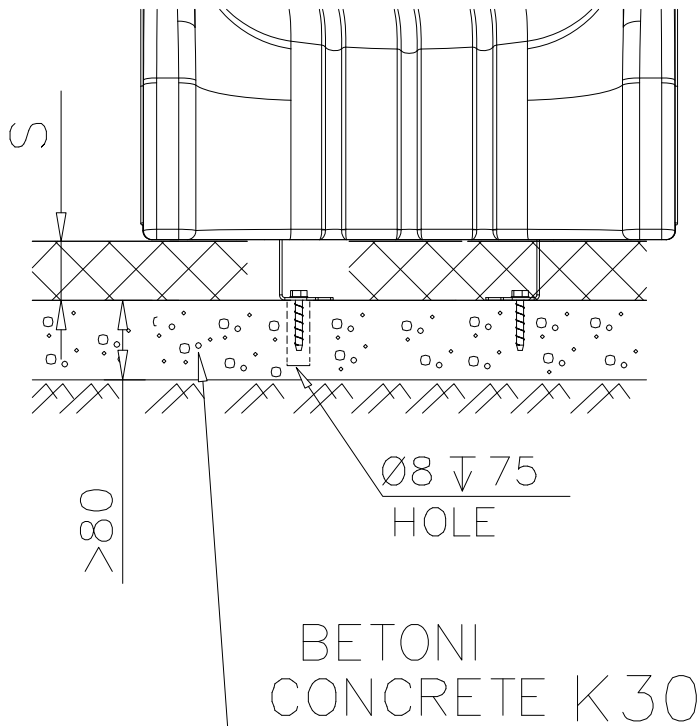
DET 1

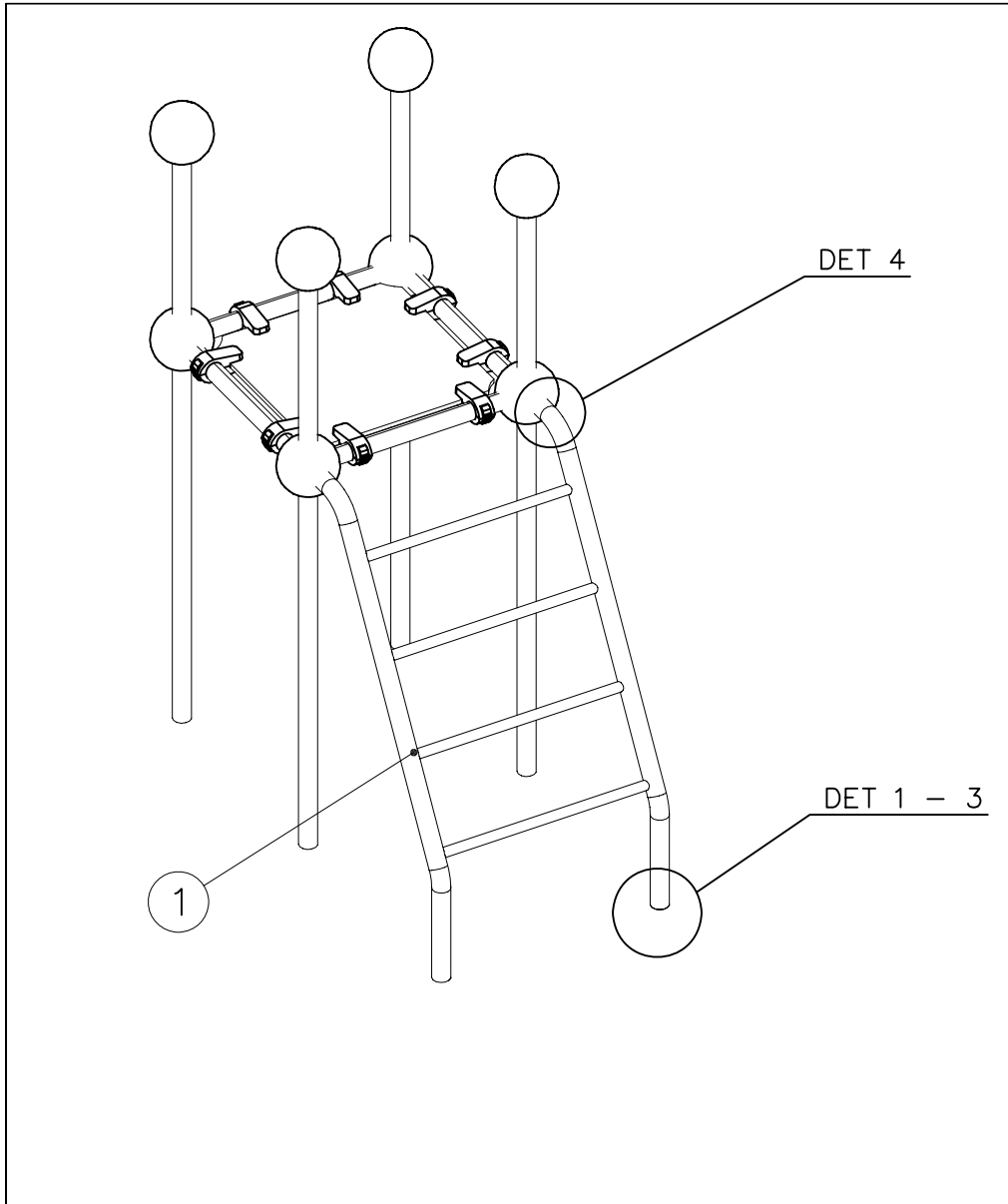




DET 2

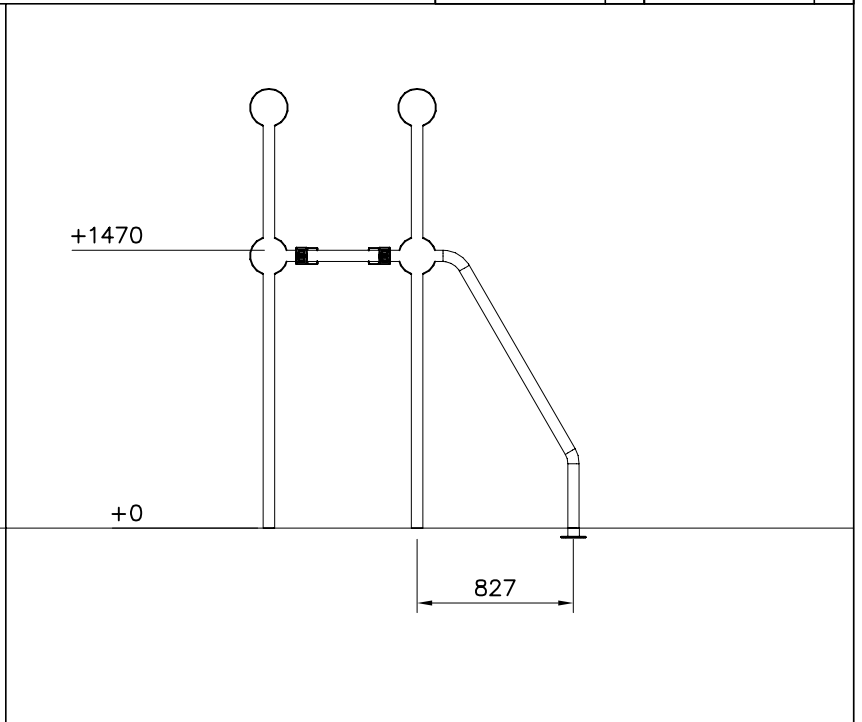
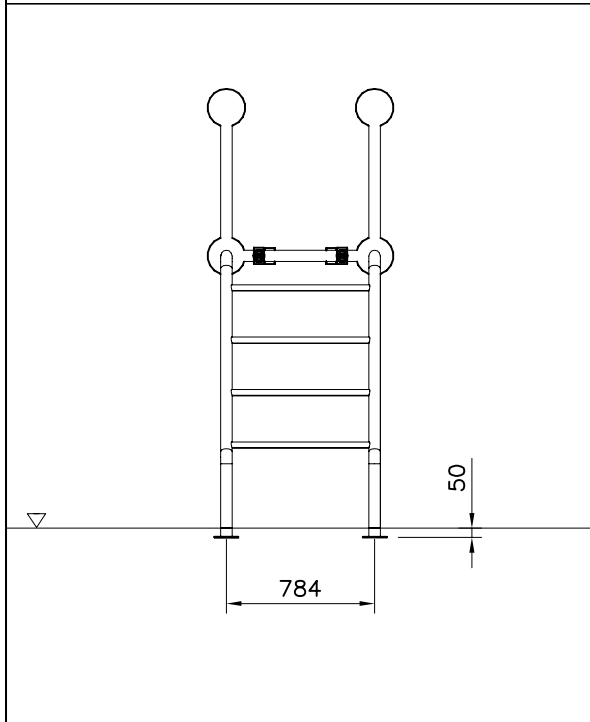


DET 3

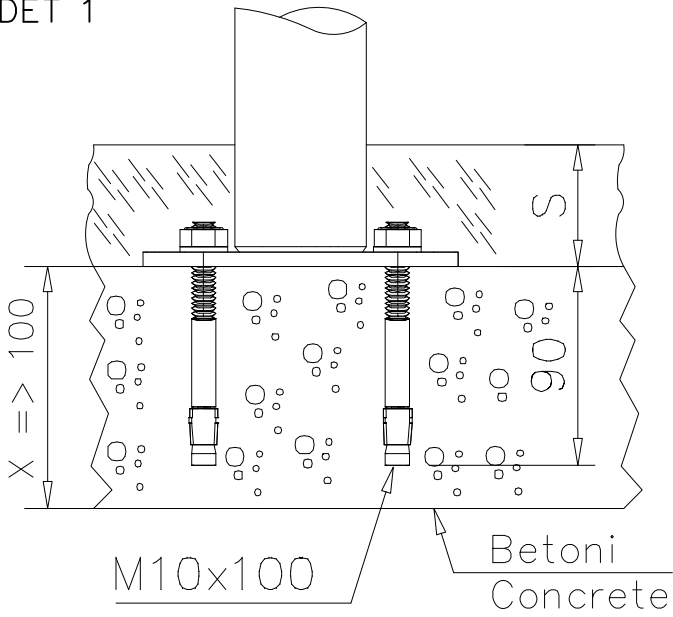




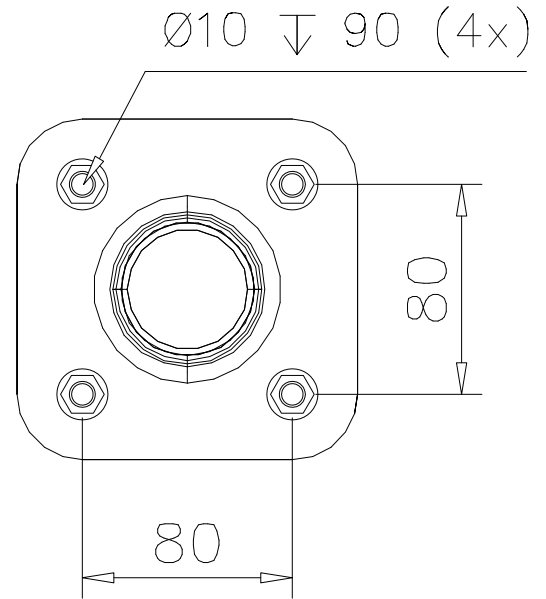
	① 904528	PCS	② 909628	PCS
		1	 M10x100	8
		PCS		PCS
		PCS		PCS
		PCS		PCS
		PCS		PCS



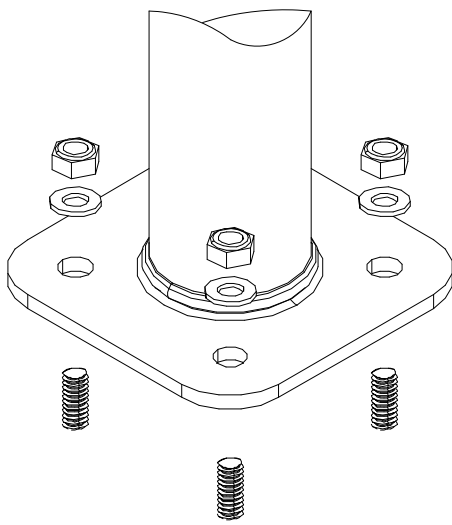
DET 1



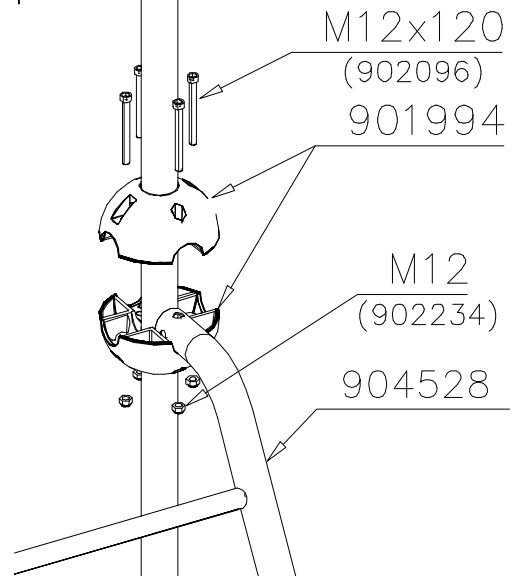
DET 2

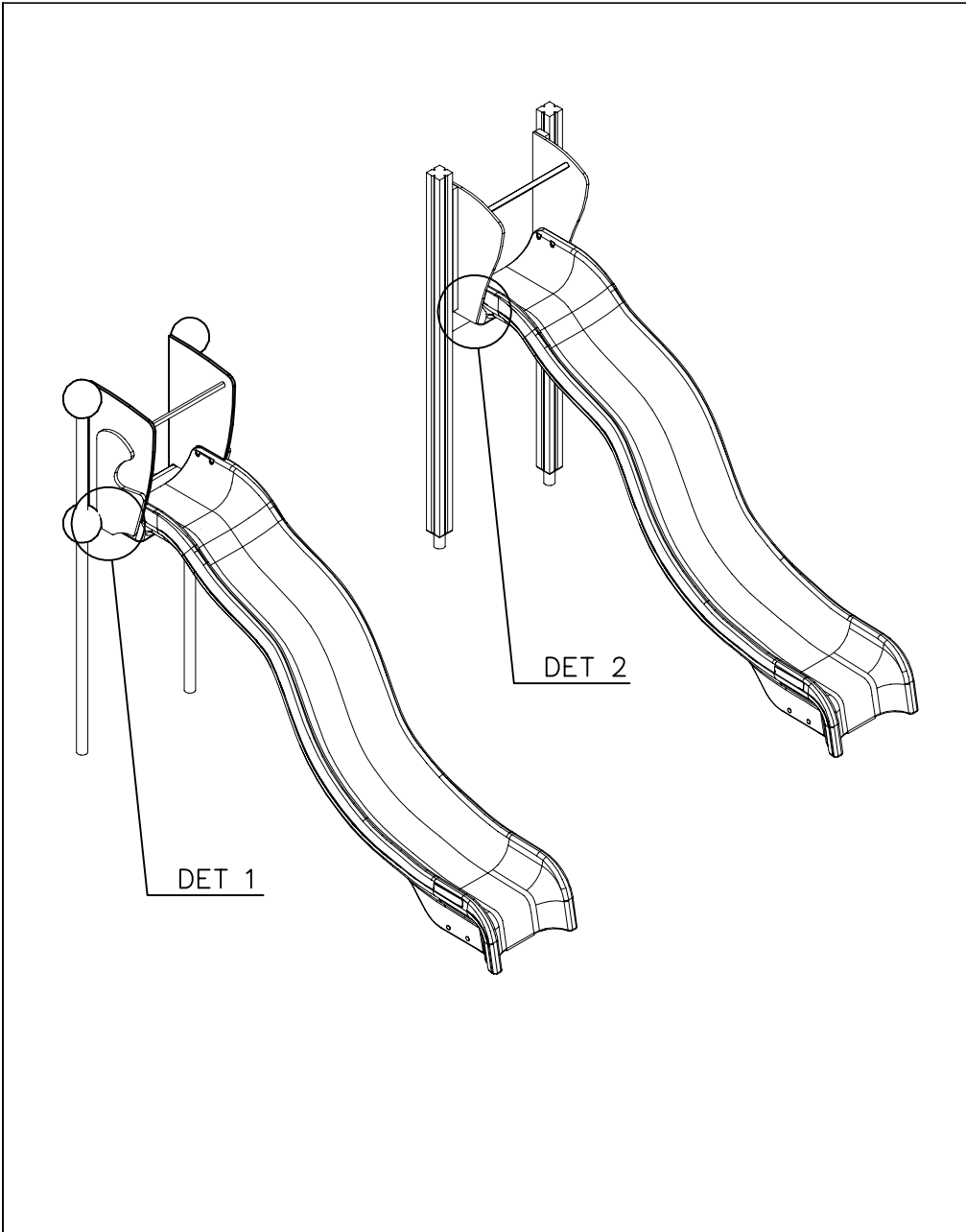


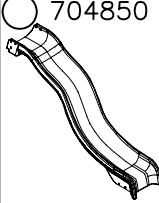
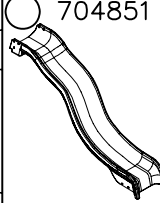
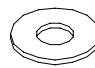
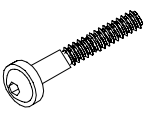
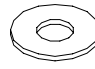
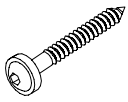
DET 3

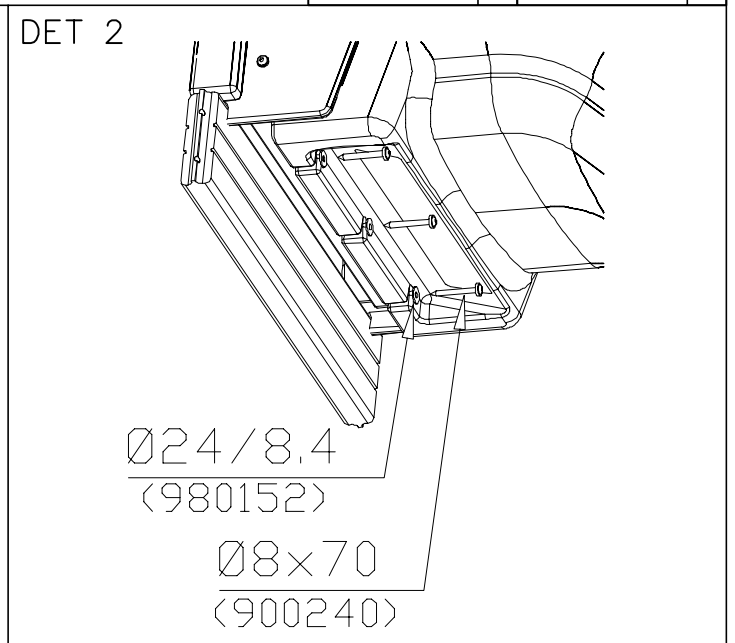
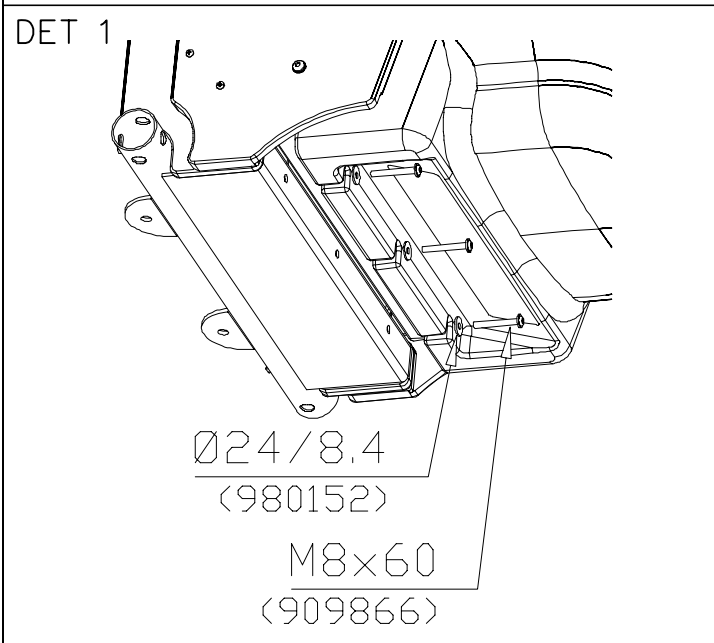


DET 4





 704850 GRAY	PCS 1	 704851 YELLOW	PCS 1
	PCS		PCS
 980152 Ø24/8.4	PCS 3	 909866 M8x60	PCS 3
OR			
 980152 Ø24/8.4	PCS 3	 900240 Ø8x70	PCS 3
	PCS		PCS



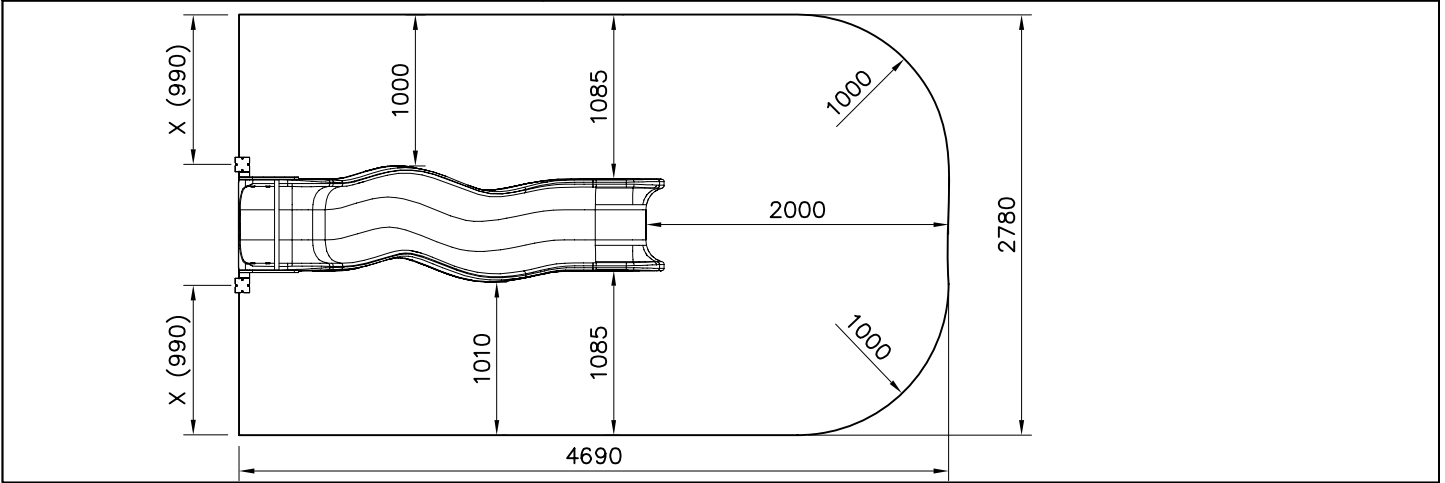
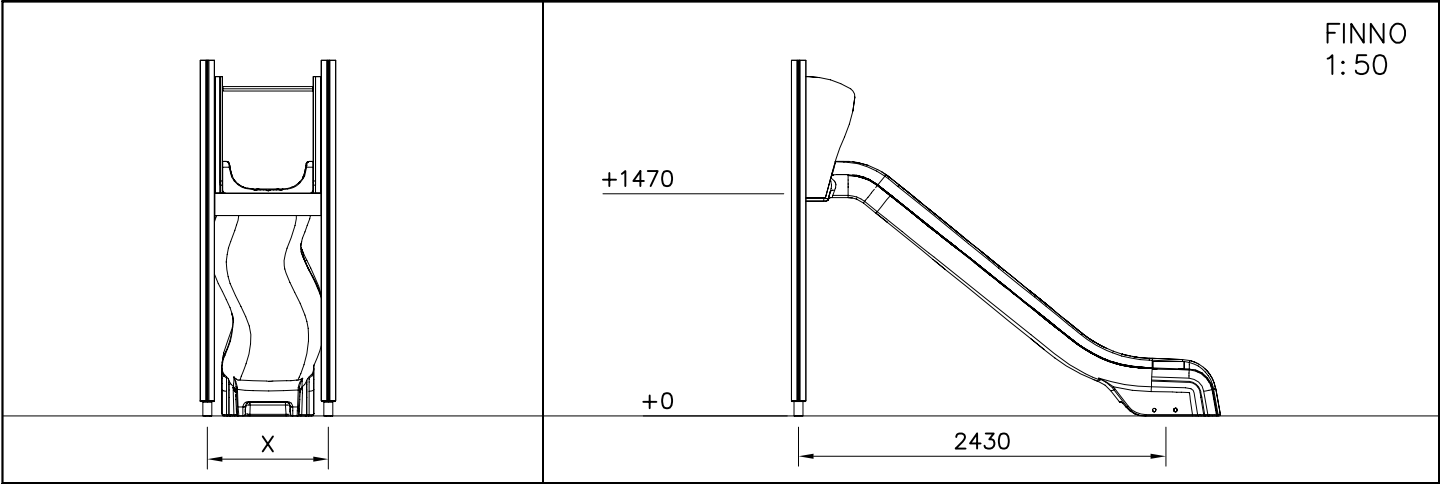
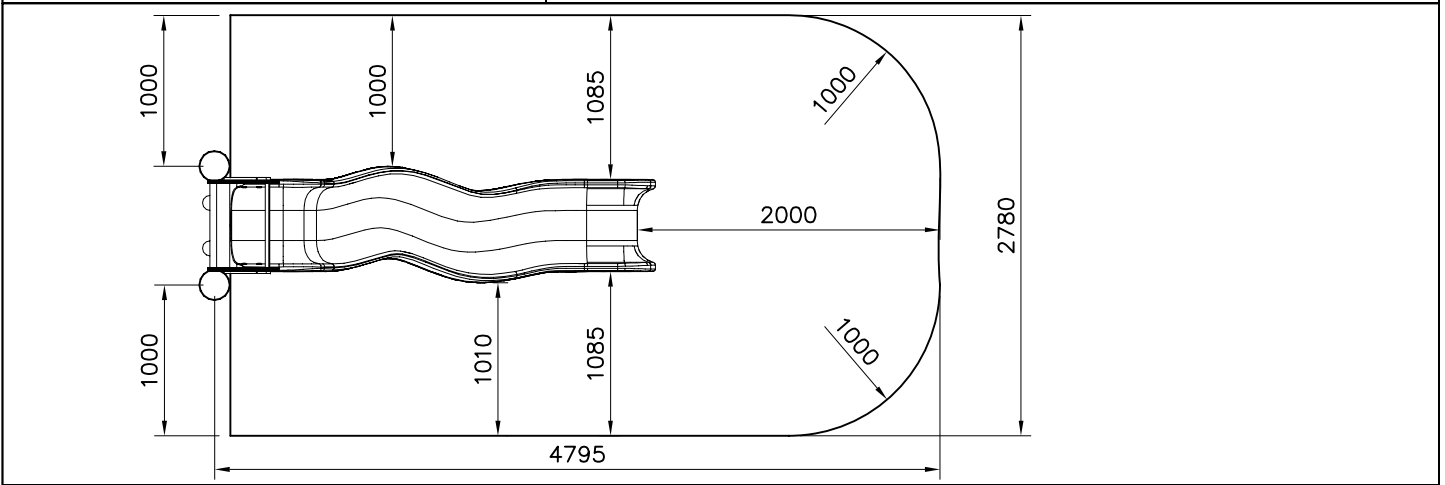
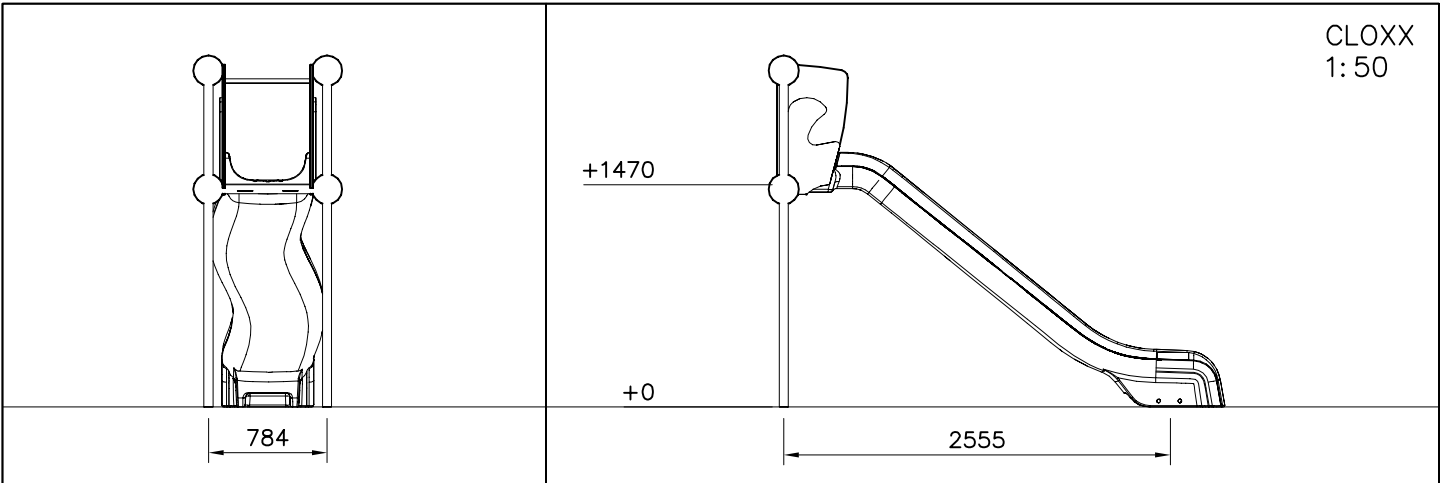


# LAPPSET CLOXX & FINNO

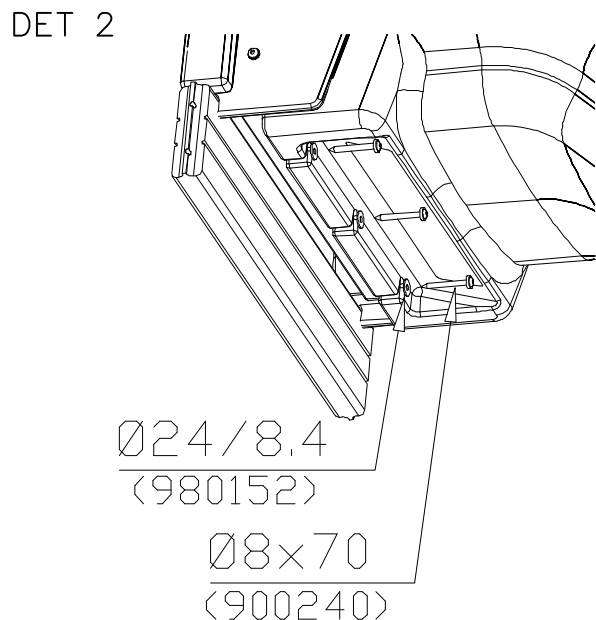
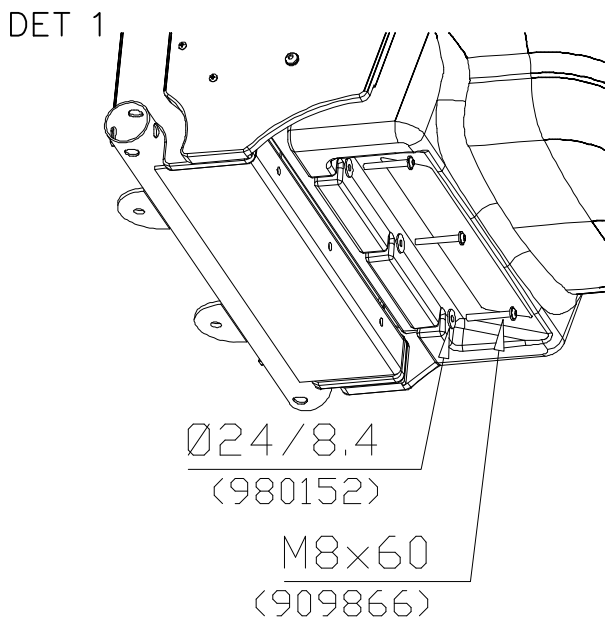
# SLIDE

11.7.2012

2(2)



<p>DET 1</p> <p>DET 2</p>	<p>705171</p> <p>GRAY</p>	<p>PCS</p> <p>1</p>	<p>705172</p> <p>YELLOW</p>	<p>PCS</p> <p>1</p>
		<p>PCS</p>		<p>PCS</p>
	<p>980152</p> <p>Ø24/8.4</p>	<p>PCS</p> <p>3</p>	<p>909866</p> <p>M8x60</p>	<p>PCS</p> <p>3</p>
	OR			
	<p>980152</p> <p>Ø24/8.4</p>	<p>PCS</p> <p>3</p>	<p>900240</p> <p>Ø8x70</p>	<p>PCS</p> <p>3</p>
		<p>PCS</p>		<p>PCS</p>

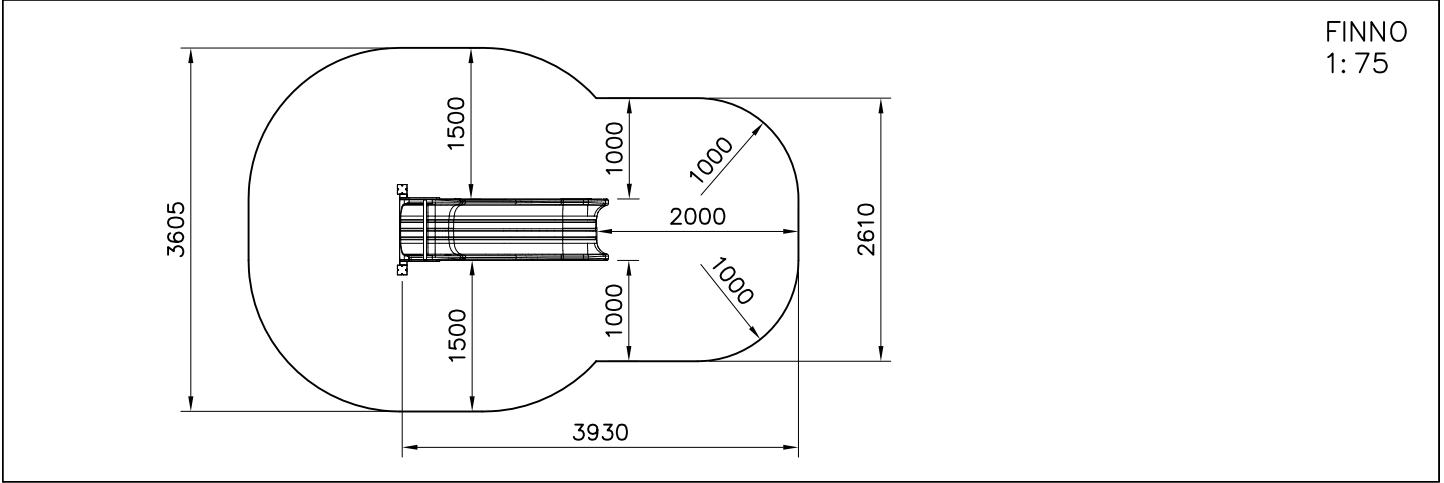
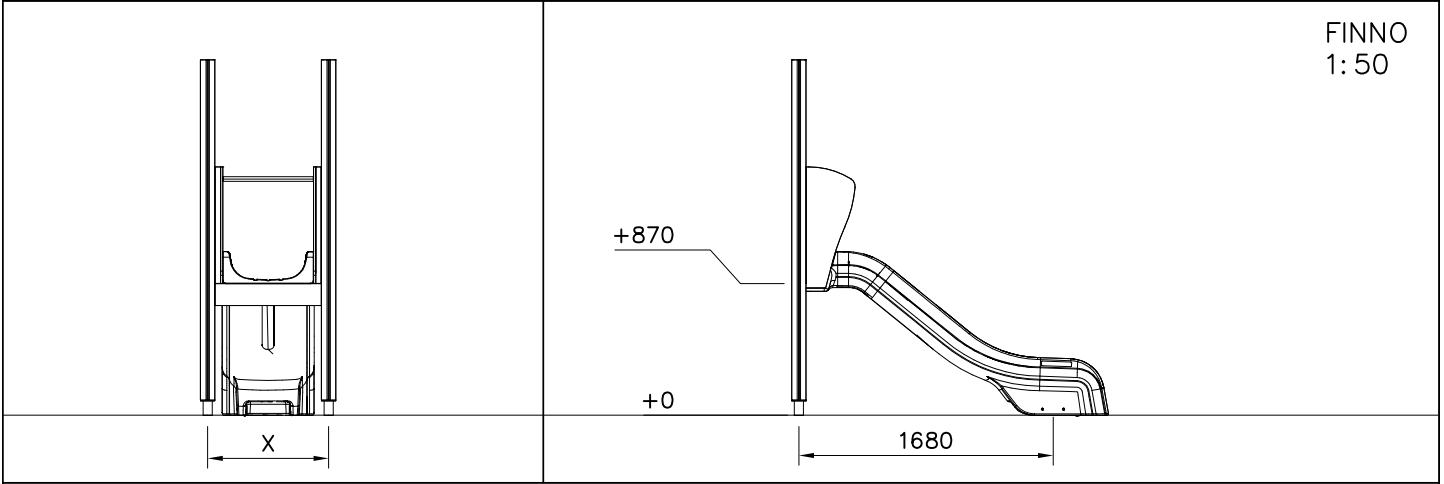
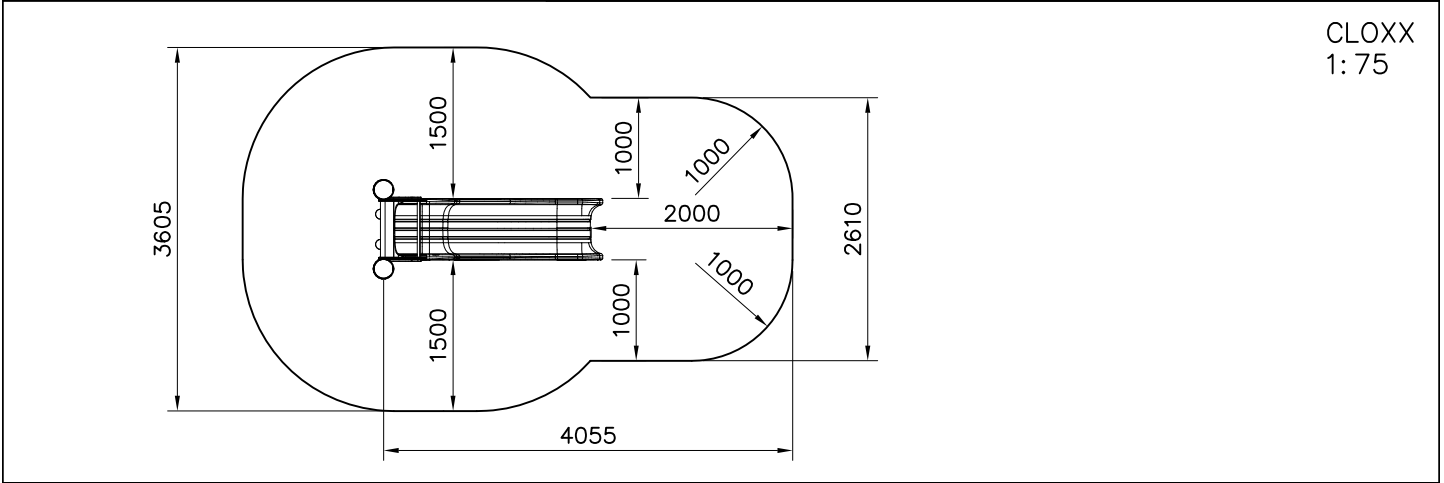
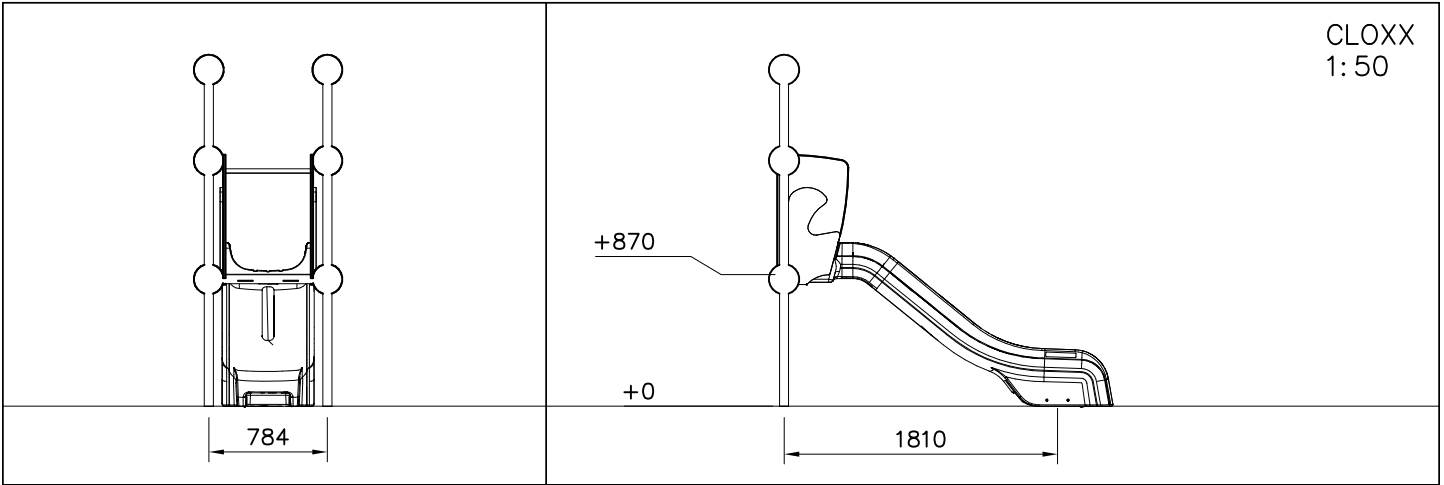


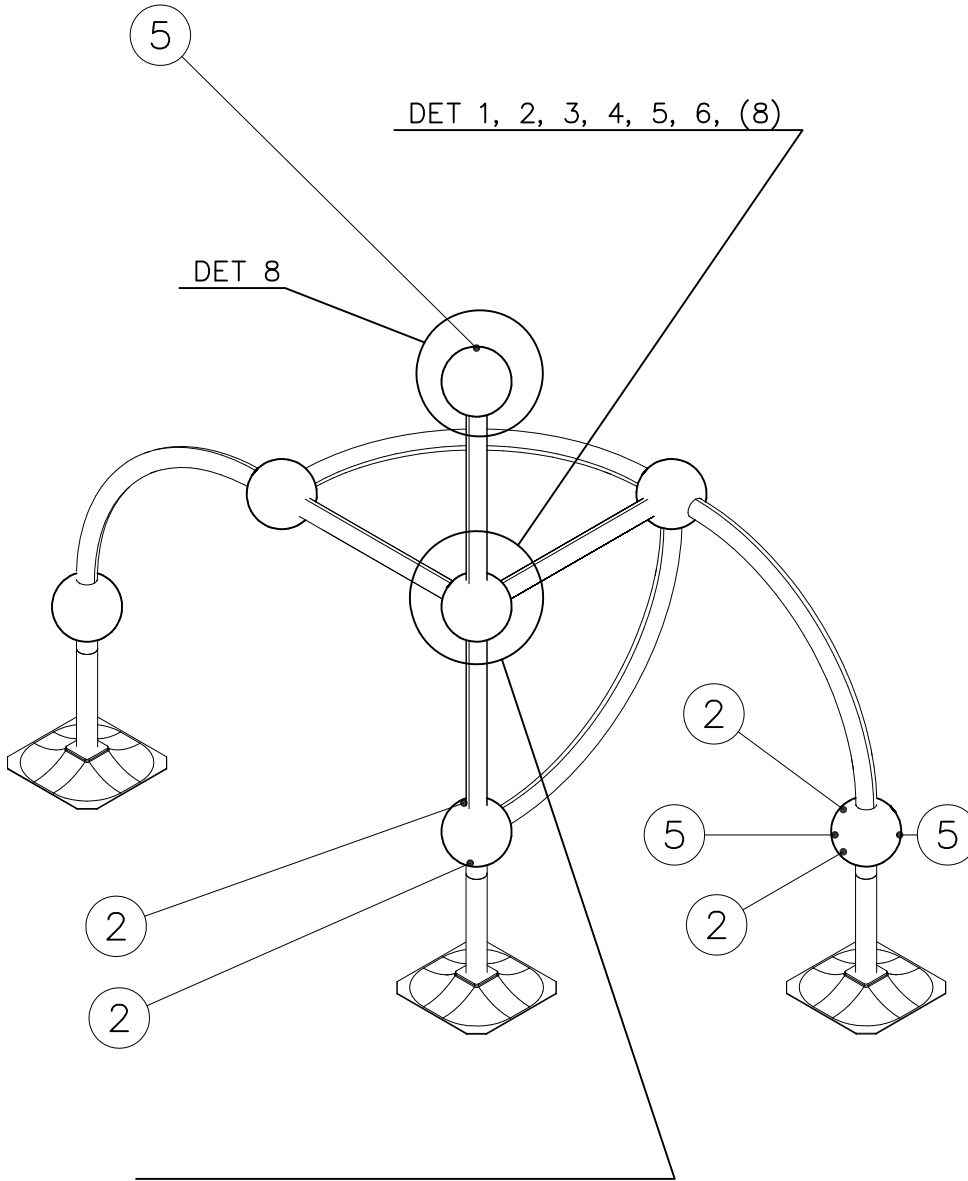
# LAPPSET CLOXX & FINNO

# SLIDE

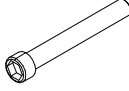

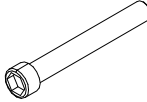

27.11.2012

**2(2)**

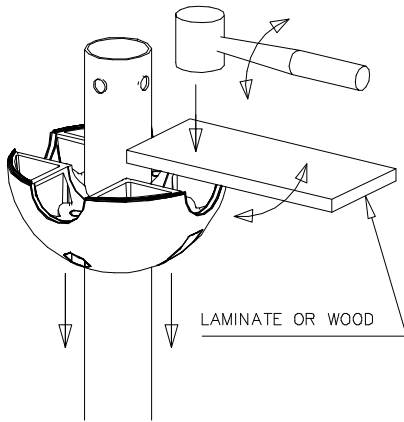




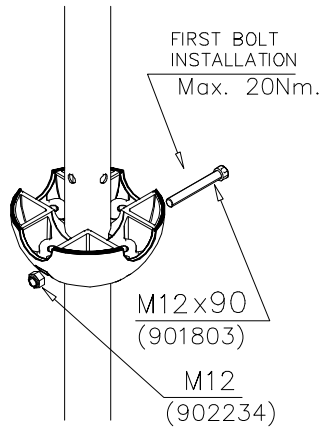
DO NOT TIGHTEN THE JOINTS UNTIL THE STRUCTURE IS COMPLETE.

① 901803	PCS	② 901994	PCS
	2		2
M12x90		Ø190	
③ 902096	PCS	④ 902234	PCS
	4		6
M12x120		M12	
	PCS		PCS
	PCS		PCS
	PCS		PCS
	PCS		PCS
	PCS		PCS
	PCS		PCS

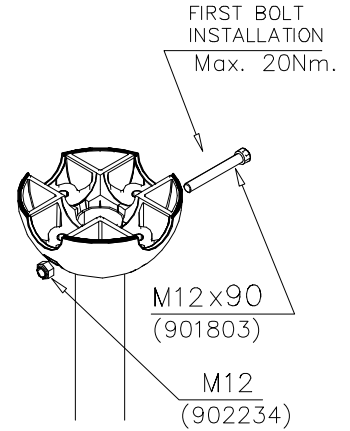
DET 1



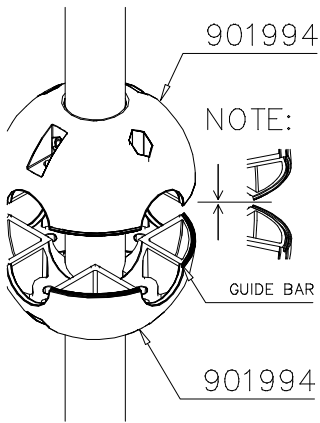
DET 2



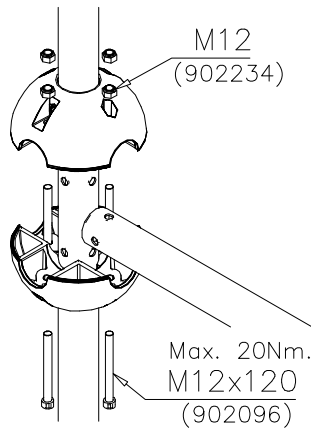
DET 3



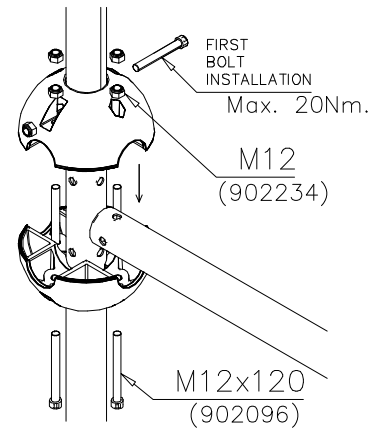
DET 4



DET 5

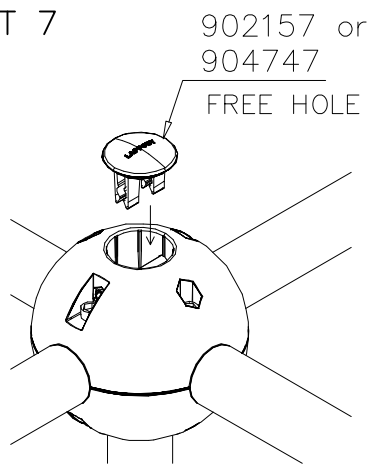


DET 6



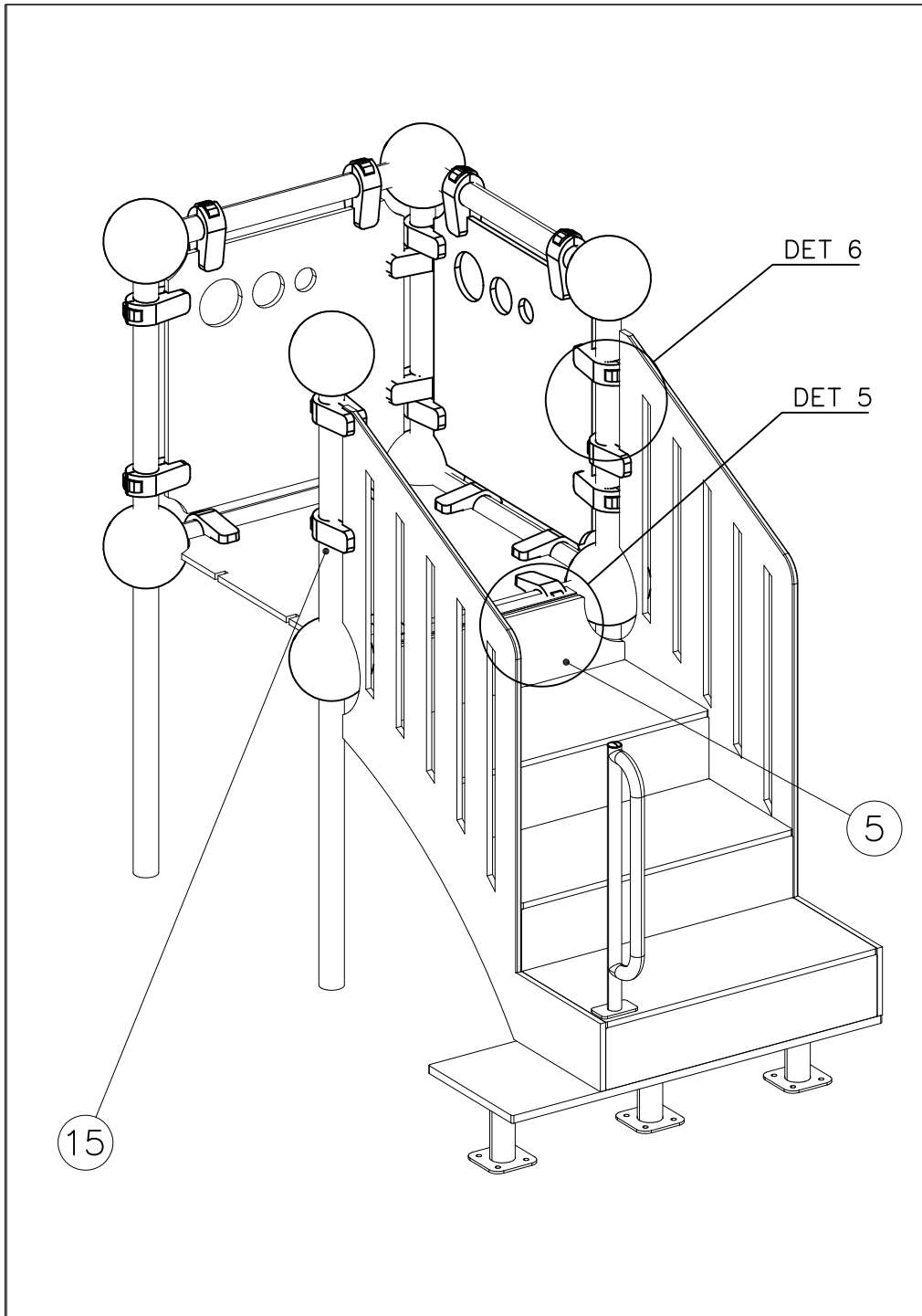
REMEMBER  
FINAL  
TIGHTENING

DET 7



DET 8

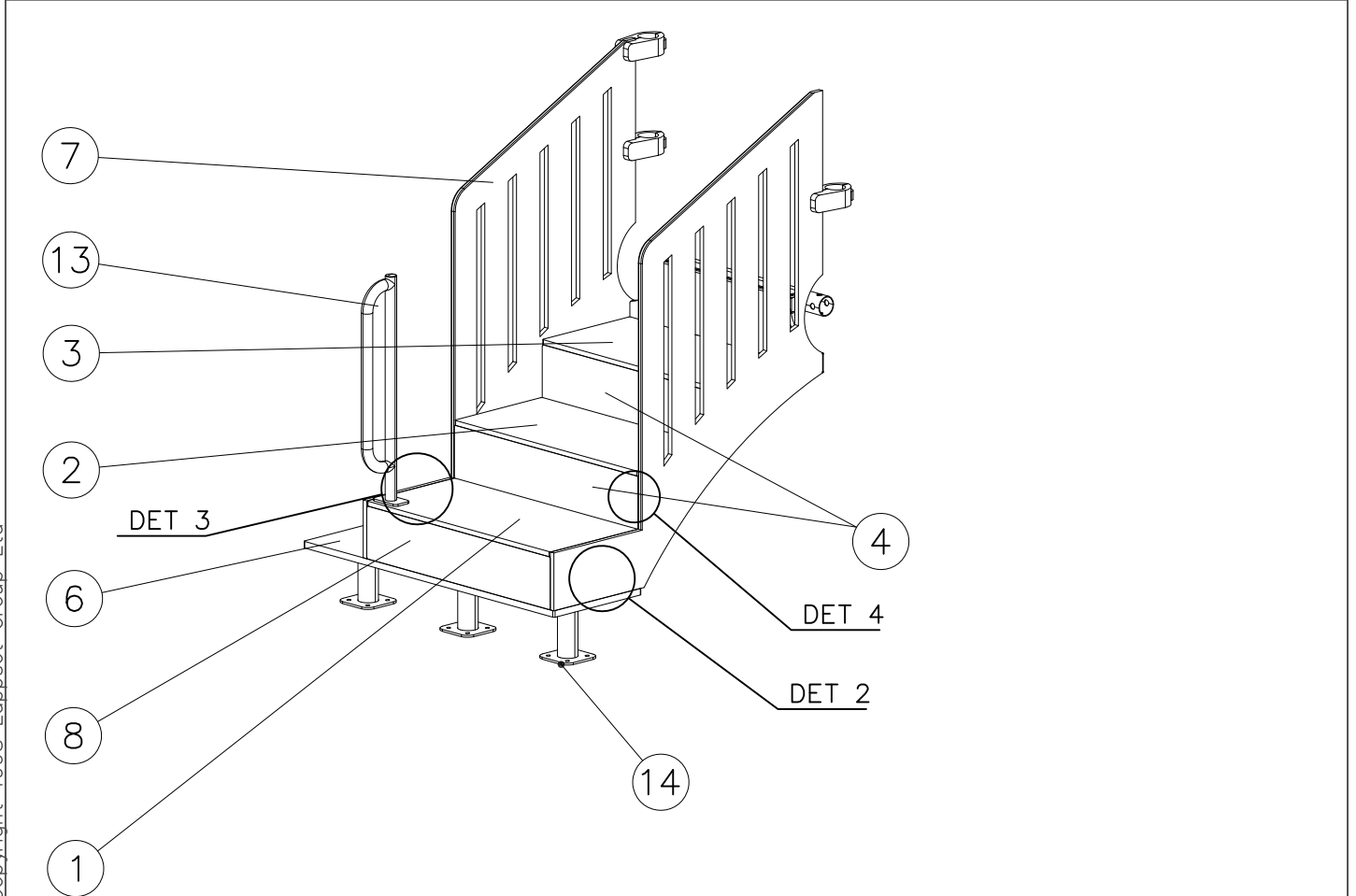
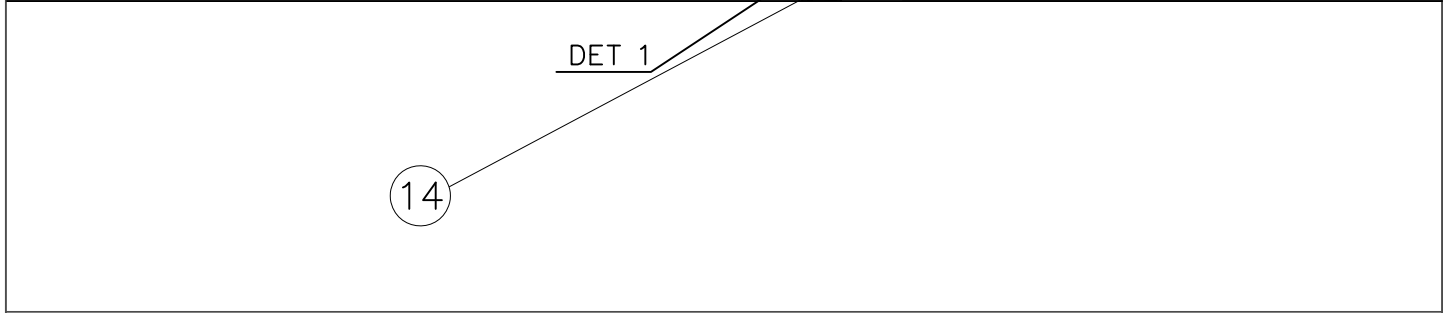
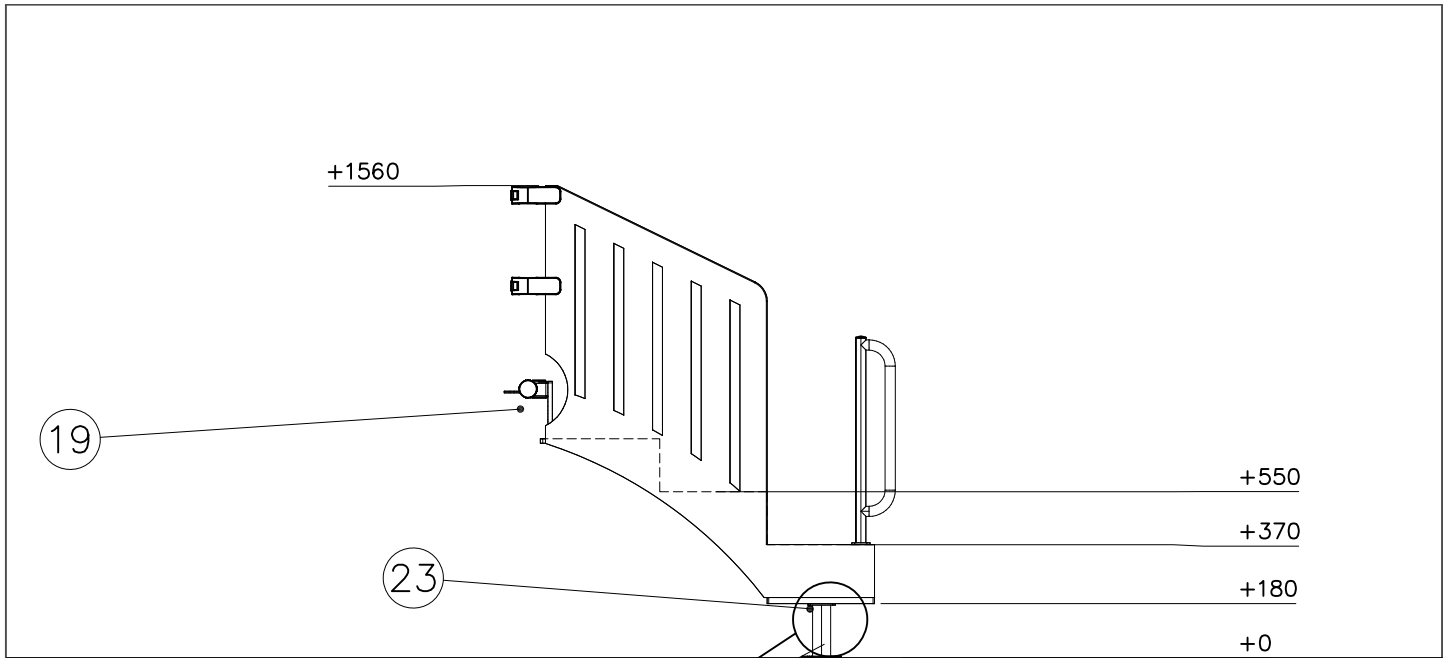




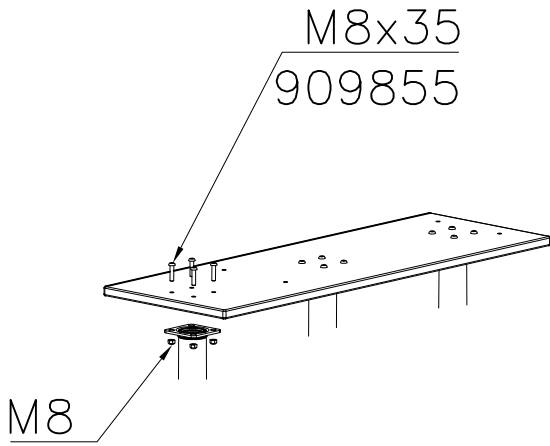
① P16020	PCS	② P16015	PCS
	1		1
15x355x769		15x355x769	
③ P16028	PCS	④ P16016	PCS
	1		2
15x355x769		15x175x769	
⑤ P16019	PCS	⑥ P16017	PCS
	1		1
15x205x769		15x355x1049	
⑦ P16014	PCS	⑧ P16018	PCS
	2		1
15x1170x1370		15x160x769	
⑨ 901570	PCS	⑩ 909852	PCS
	28		58
36x55x55		M8x30	
⑪ 980160	PCS	⑫ 909855	PCS
	74		16
M8		M8x35	

⑬ 905104	PCS	⑭ CP000553	PCS	⑮ P16345	PCS	⑯ 902124	PCS
	12		1		3		8
M10				130x130x180		150x50x50	

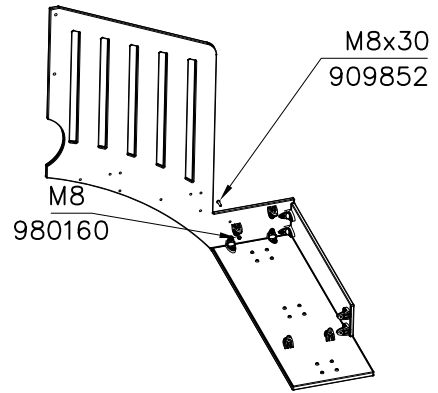
⑰ 980161	PCS	⑱ 902233	PCS	⑲ 902232	PCS	⑳ P16023	PCS	㉑ 980152	PCS	㉒ 909850	PCS	㉓ 909628	PCS
	8		4		4		1		3		3		12
M10		M10x30		M10x55				Ø24/8.4		M8x25		M10x100	



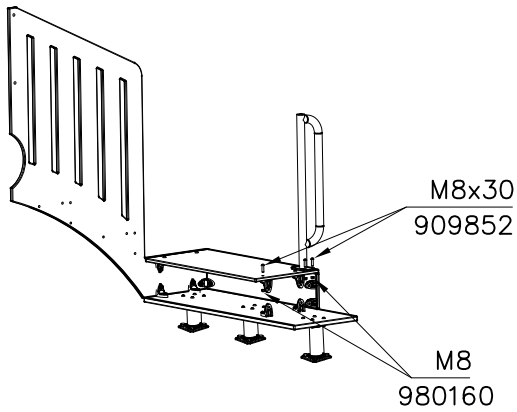
DET 1



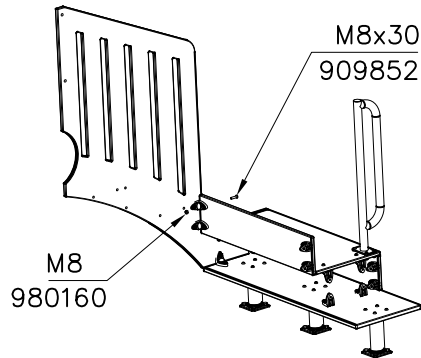
DET 2



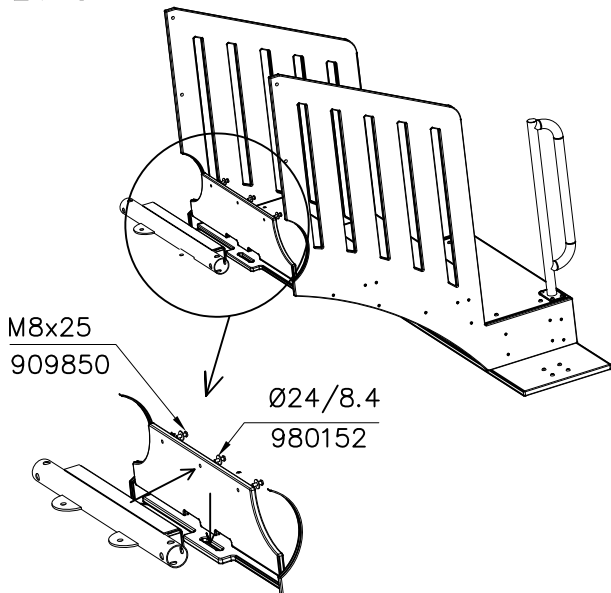
DET 3



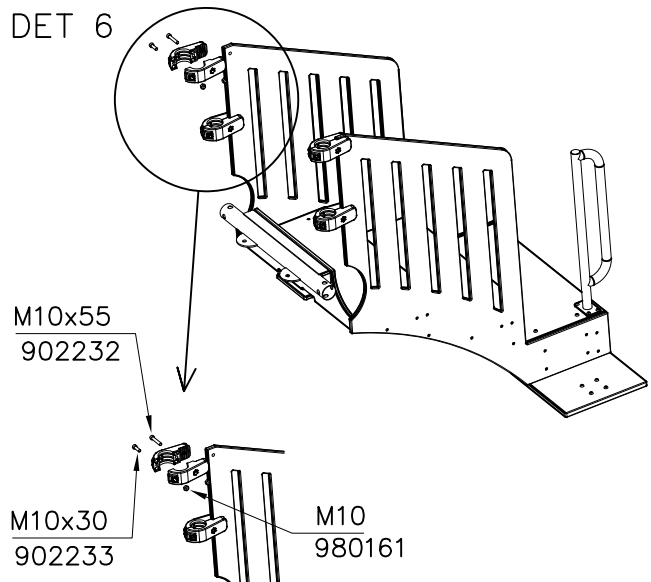
DET 4



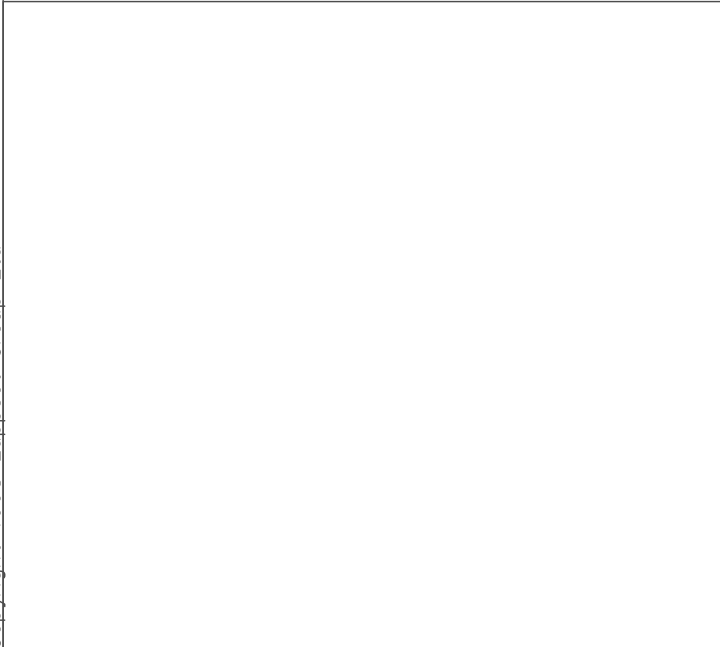
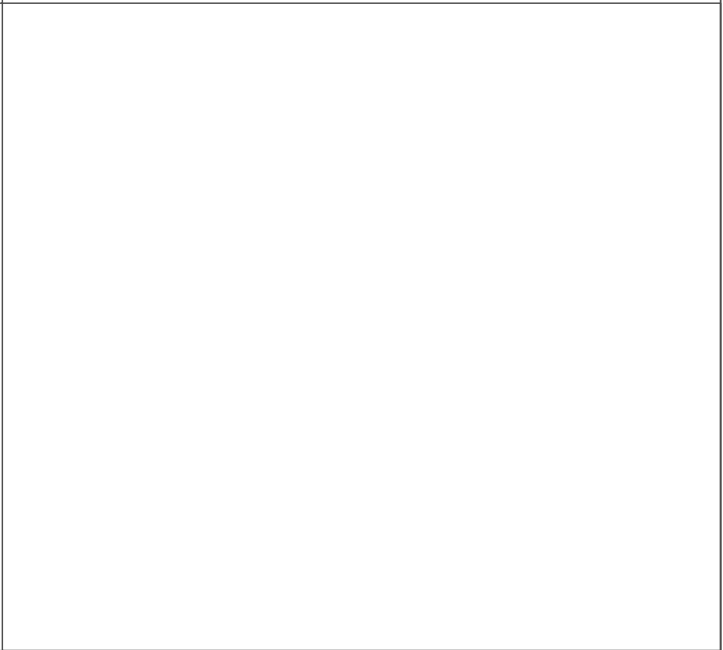
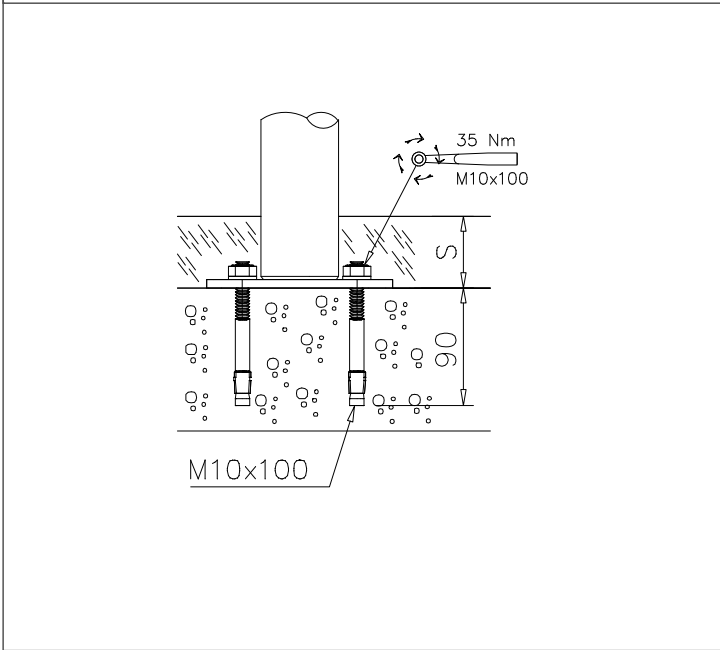
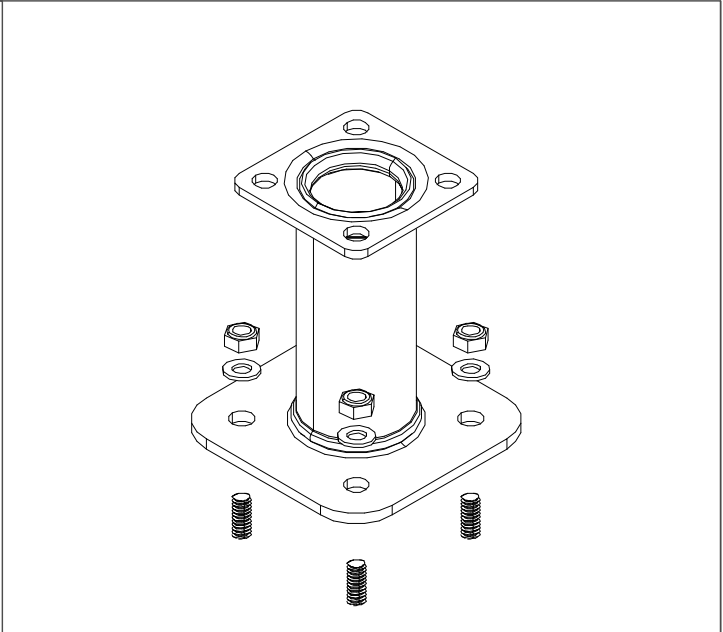
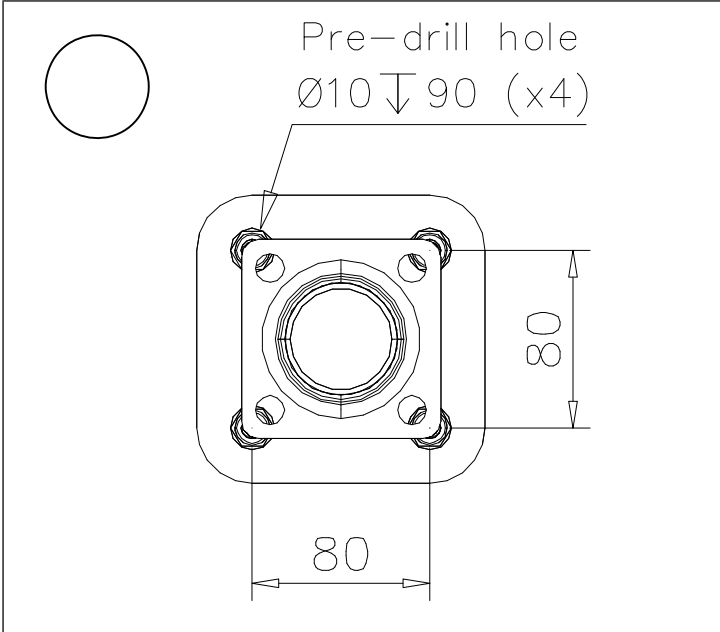
DET 5

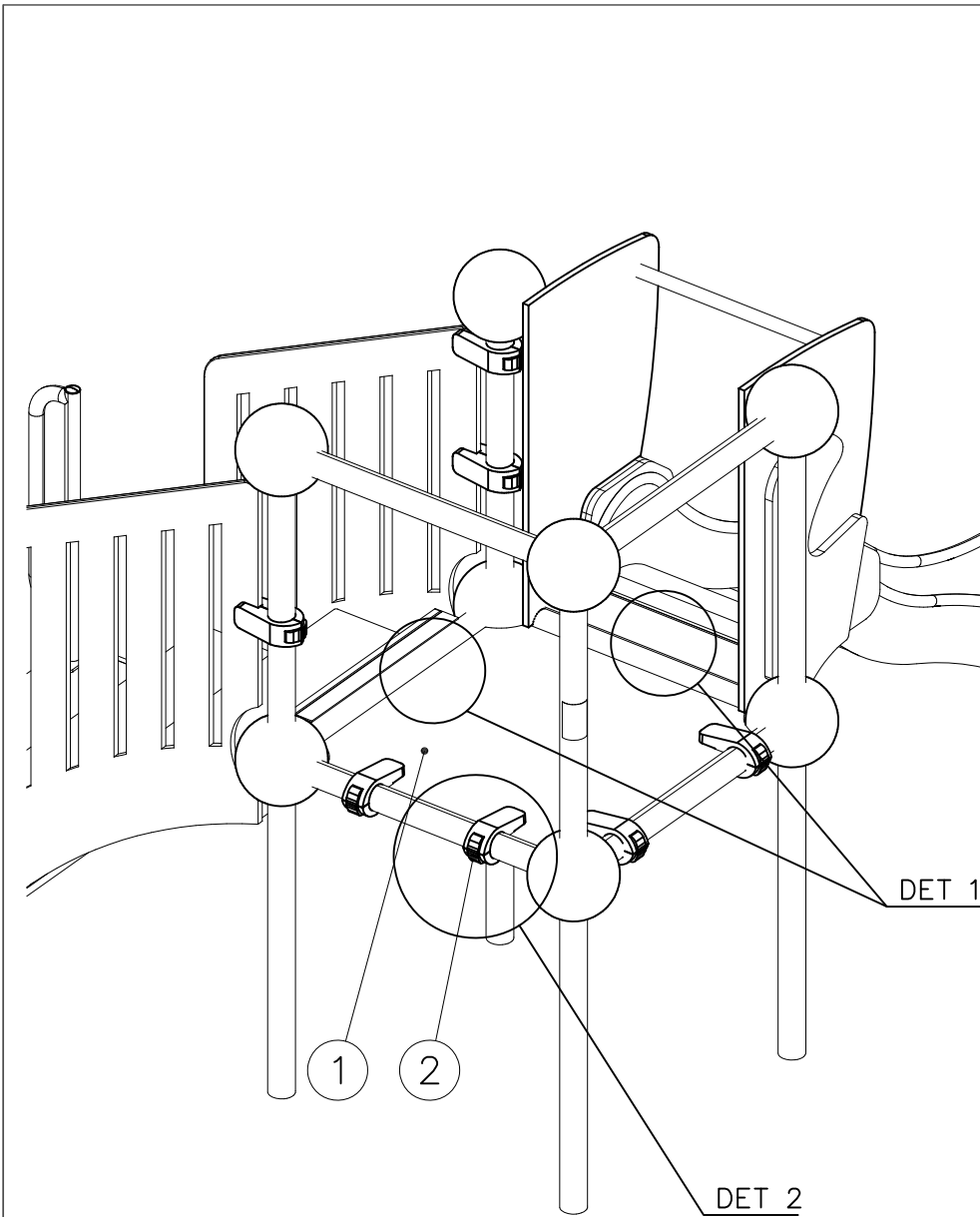


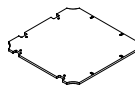
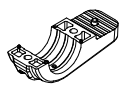


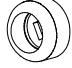


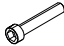


DET 6



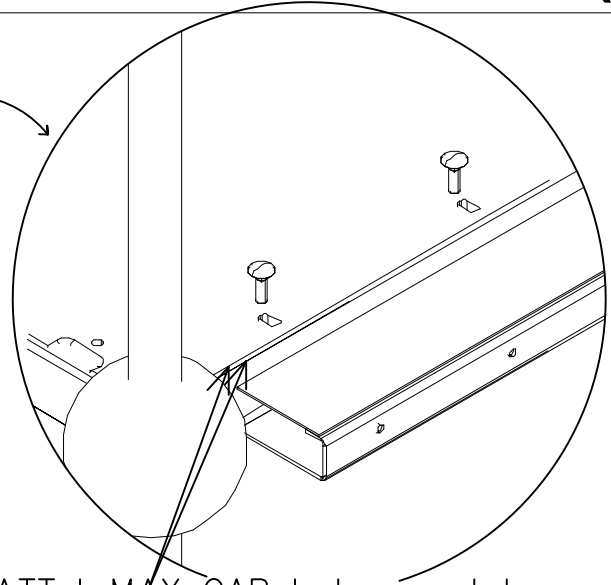
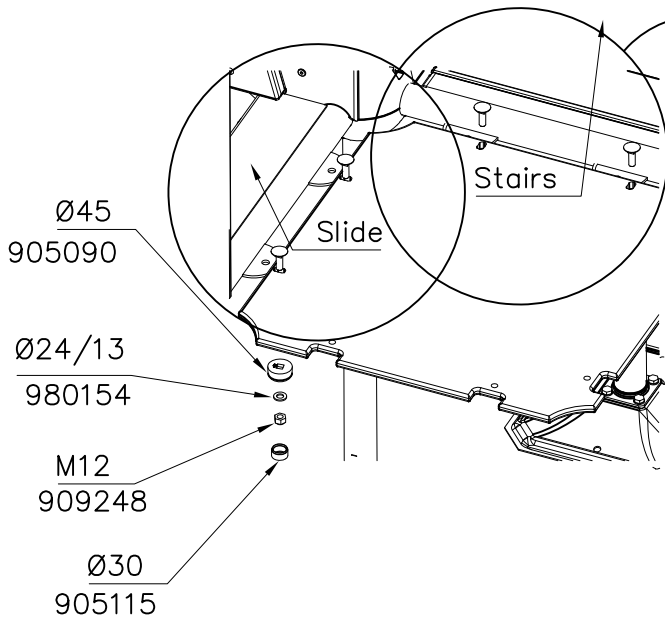






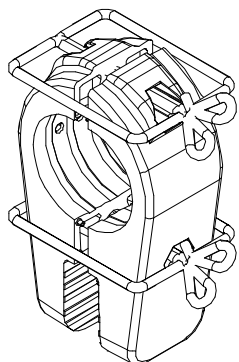
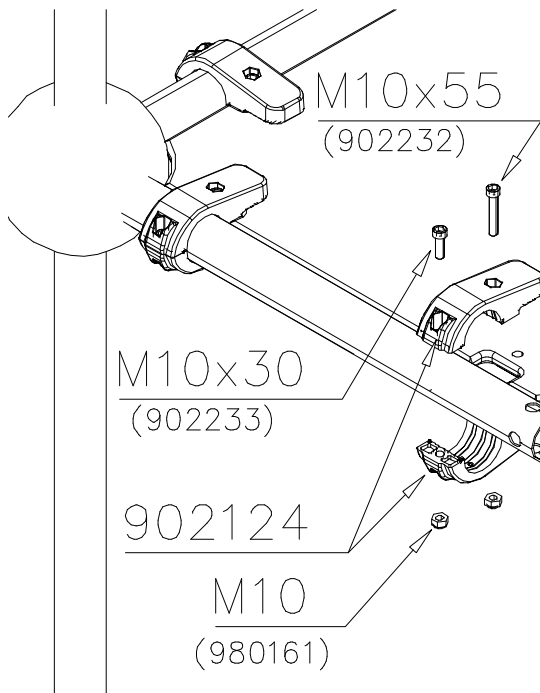
① P16026	PCS	② 902124	PCS
	1		8
15x716x716		150x50x50	
③ 909109	PCS	④ 905115	PCS
	4		4
M12x40		Ø30	
⑤ 905090	PCS	⑥ 909248	PCS
	4		4
Ø45		M12	
⑦ 980154	PCS	⑧ 902232	PCS
	4		4
Ø24/13		M10x55	
⑨ 980161	PCS	⑩ 902233	PCS
	8		4
M10		M10x30	
	PCS		PCS
	PCS		PCS
			PCS

DET 1



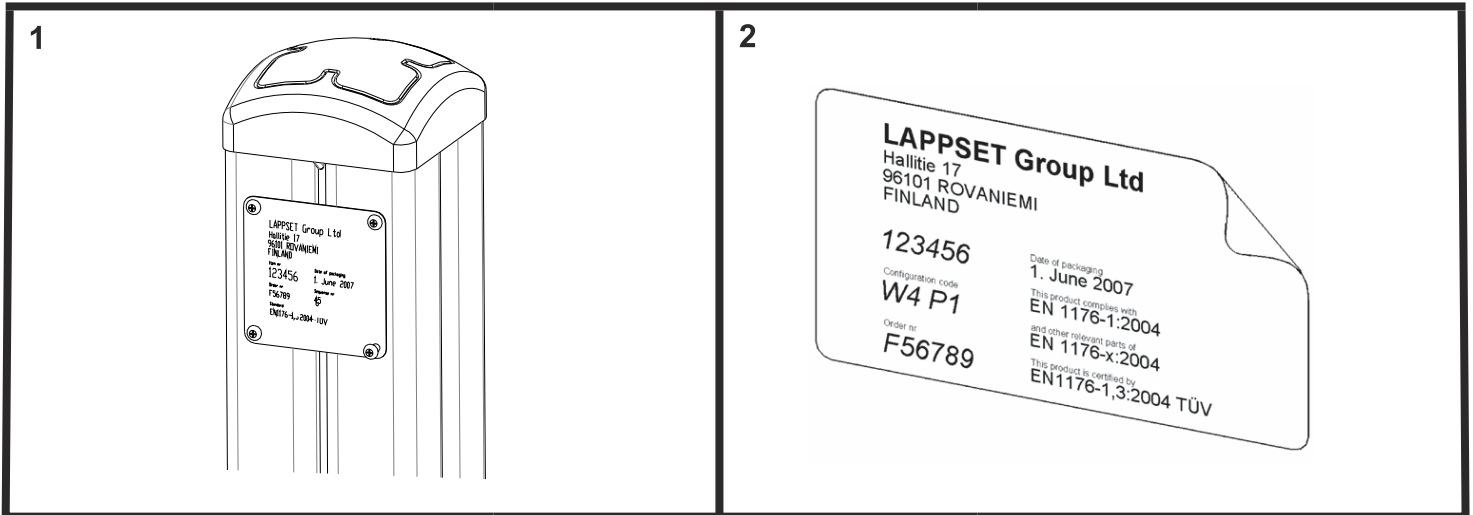
ATT ! MAX GAP between plate and tube is 6mm  
 HUOM ! MAKSIMI VÄLI lattialevyllä ja putkella on 6mm

DET 2



NOTE:  
 Use a wire marked pairs of the same junction.

Huom!  
 Käytä langalla merkittyä paria samassa liitoksessa.

**Tuotekyltti tulee tuotteen mukana yhdellä seuraavista tavoista:****1) Metallinen tuotekyltti ja kiinnitysruuvit**

- Kiinnitä tuotekyltti ruuveilla tolppaan noin 2 metrin korkeuteen kuvan 1 mukaisesti.

**2) Tuotekyltitarra**

- Puhdista maalattu metalli- tai vaneripinta pölystä ja kosteudesta. Liimaa tarra kuvan 2 mukaisesti.
- Huom. Älä kiinnitä tarraa karheapintaiseen laminaattiin tai maalattuun puuhun.

**Vår produktmärkning levereras på ett av följande sätt:****1) Produktskylt i metall**

- Fäst skylten med de medföljande skruvarna

**2) Självhäftande produktetikett**

- Rengör den pulverlackerade metallytan eller laminatyten så att den blir fri från smuts och fukt. Fäst etiketten enligt fig. 2.
- Obs! Fäst ej etiketten på detaljer med skrovlig yta eller på målat trä.

**Product label is delivered by one of following ways:****1) Metal product label and screws**

- Fasten the label with screws.

**2) Label sticker**

- Clean the painted metal or plywood surface from dirt and moisture. Fasten the sticker as shown in the figure 2.
- Note. Do not attach the sticker to rough surfaced laminate or painted wood.

**La plaque d'informations produit est livrée sous l'une de ces 3 formes :****1) Plaque métallique et vis**

- Fixez la plaque à l'aide des vis.

**2) Etiquette autocollante**

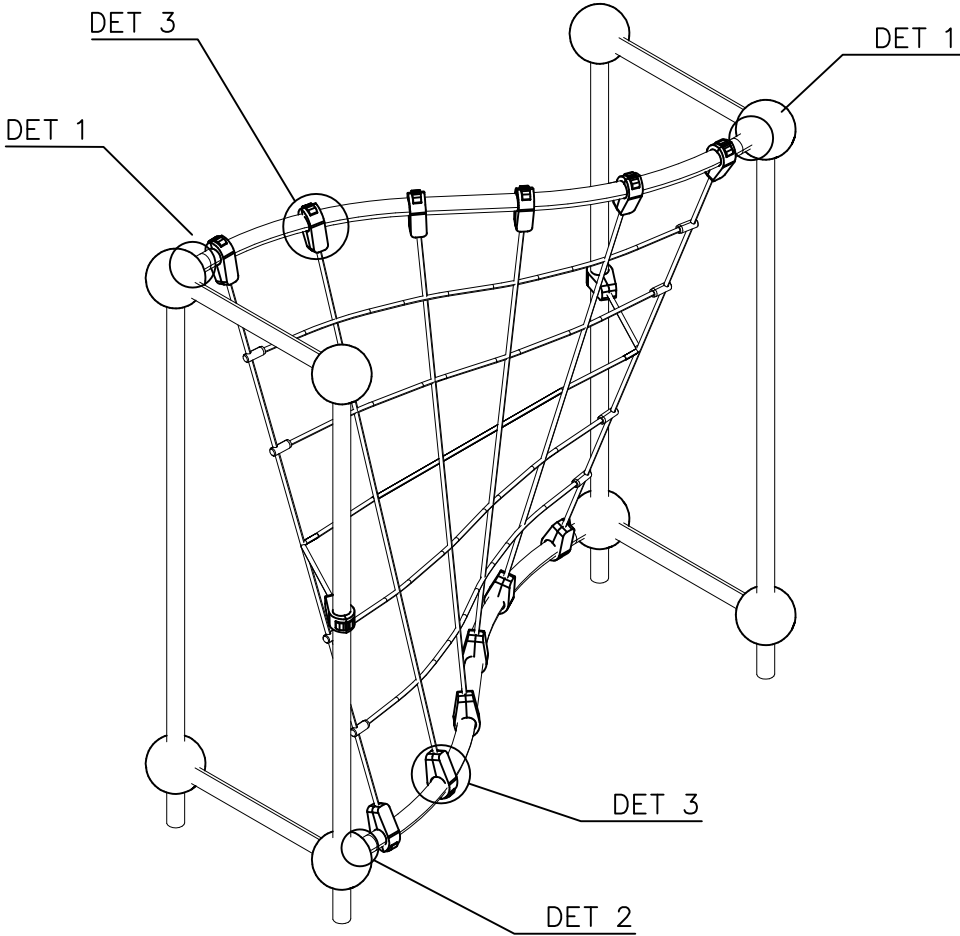
- Avant de coller l'étiquette, nettoyez le composant métallique peint ou la plaque de contreplaqué, de toute saleté. La surface doit être sèche (voir image 2).
- Attention, ne pas coller l'étiquette sur une surface lamellé-collée irrégulière ou sur du bois peint.

**Die Auslieferung des Produktaufklebers erfolgt auf eine dieser Arten:****1) Produkt-Schild aus Metall incl. Schrauben**

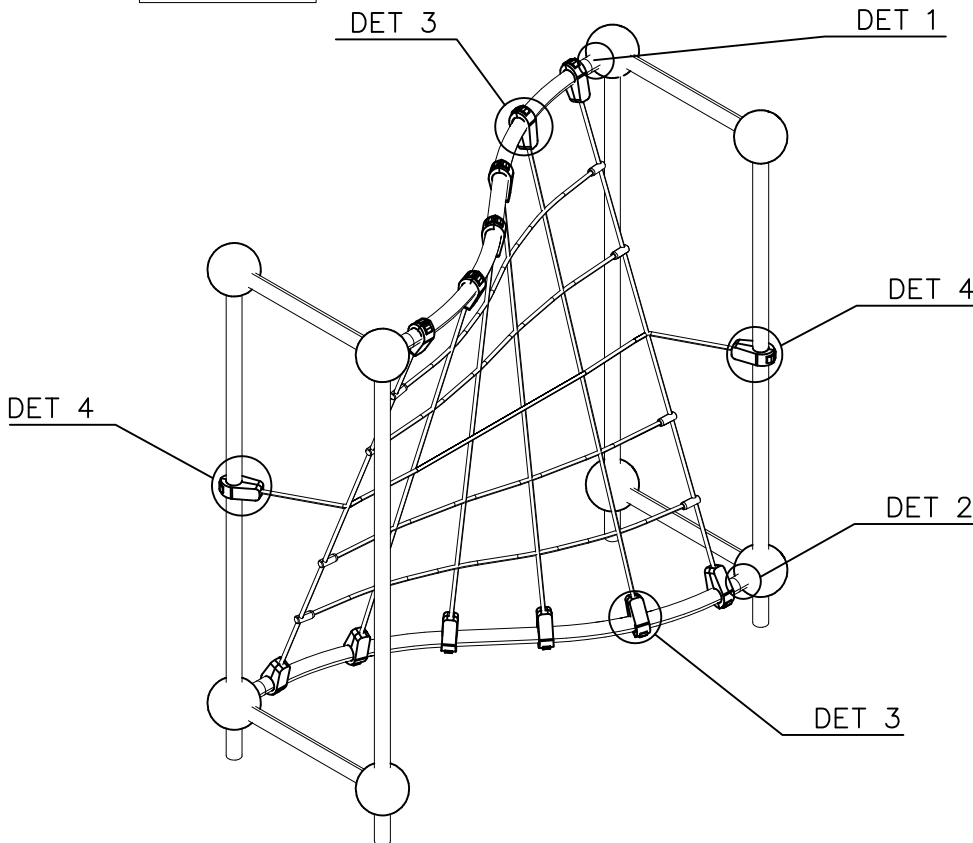
- Die Befestigung des Schildes erfolgt mittels der Schrauben.

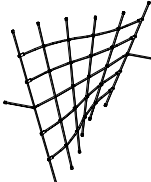
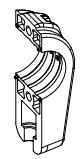
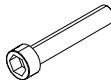
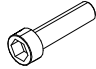
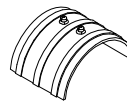


**2) Aufkleber**

- Entfernen Sie zunächst Schmutz und Feuchtigkeit vom lackierten Metall bzw. von der Holzoberfläche und bringen Sie den Aufkleber wie im Bild oben rechts beschrieben auf den gesäuberten Untergrund auf.
- Beachten Sie: Bringen Sie den Aufkleber nicht auf raues laminiertes oder lackiertes Holz an.

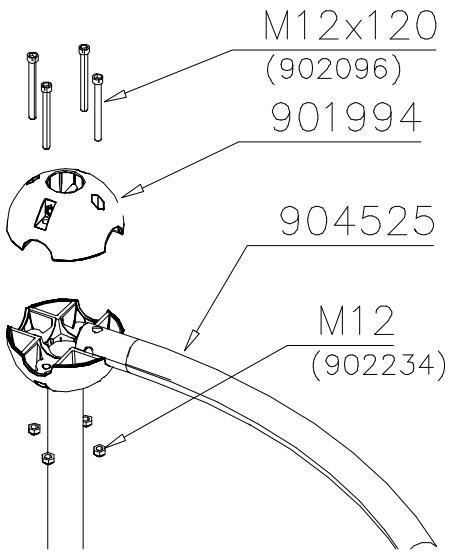


OR / TAI

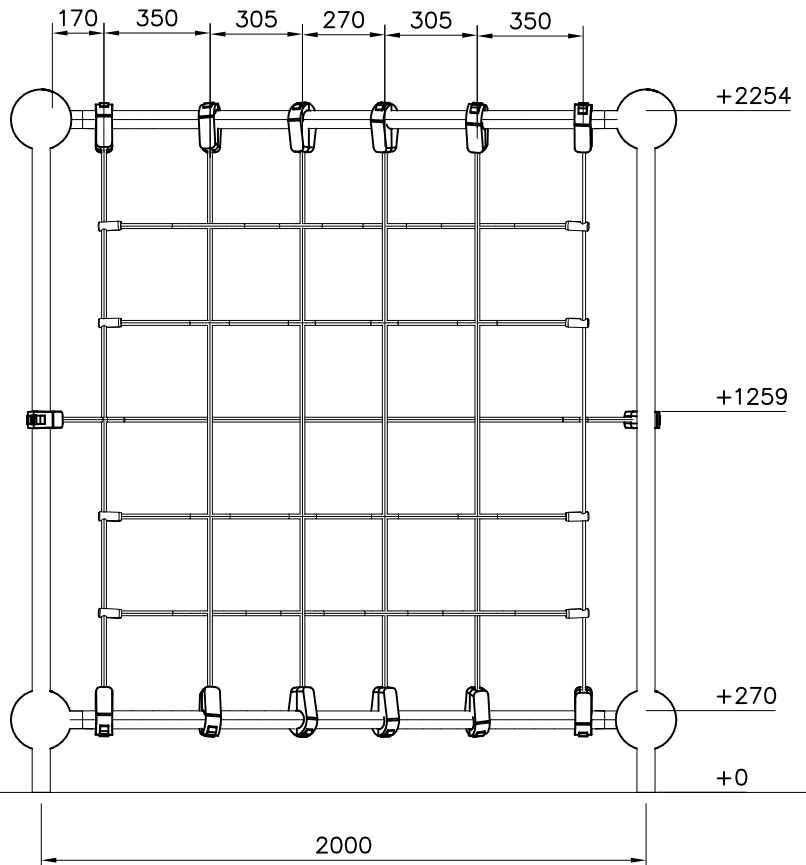
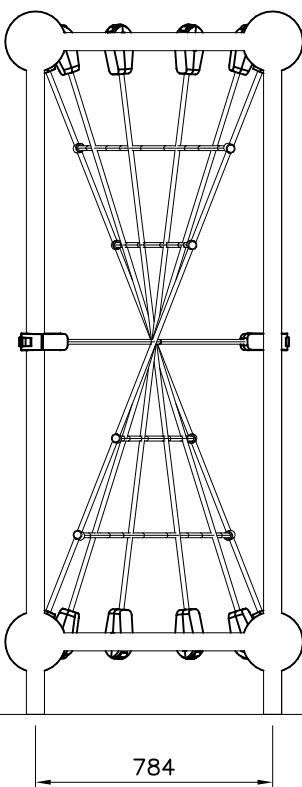
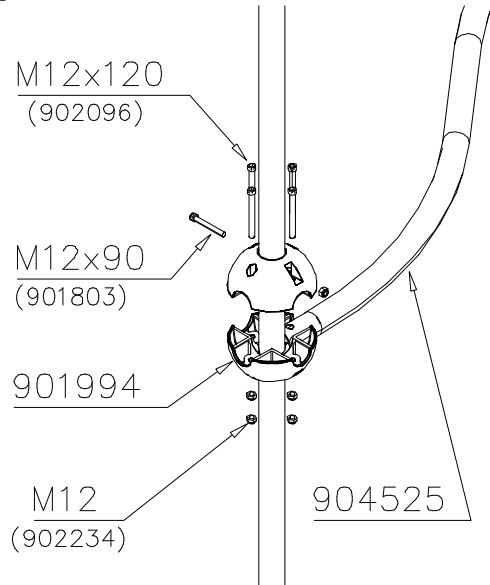


① 704071	PCS	② 902195	PCS
	1		28
		150x50x50	
③ 902232	PCS	④ 902233	PCS
	14		14
M10x55		M10x30	
⑤ 902273	PCS	⑥ 904525	PCS
	28		2
		Ø60x2.5	
⑦ 980161	PCS		PCS
	28		
M10			
	PCS		PCS
	PCS		PCS
	PCS		PCS
	PCS		PCS

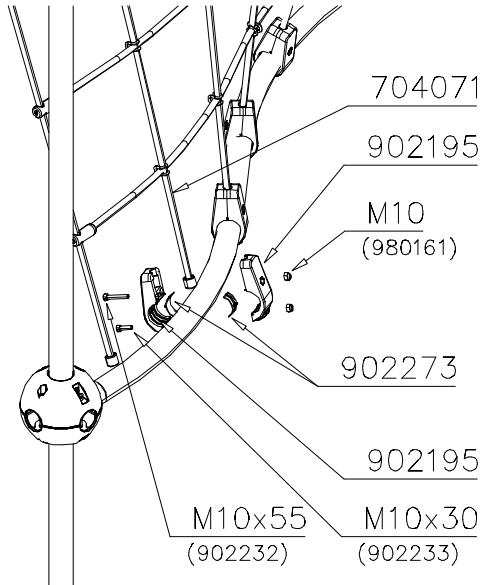
DET 1



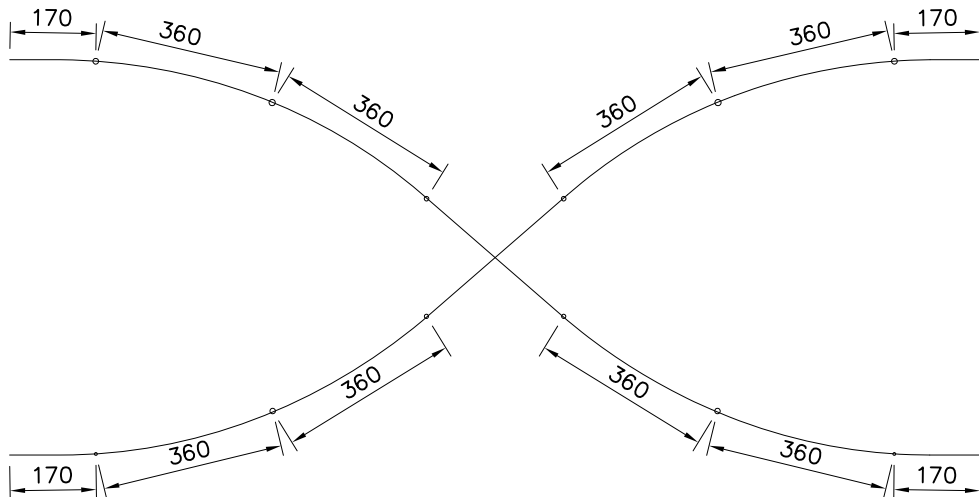
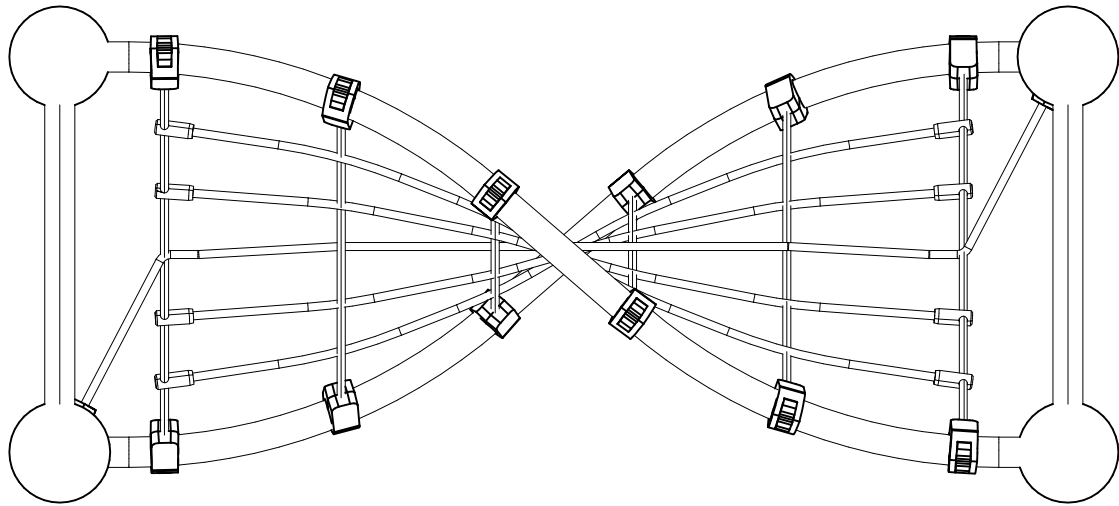
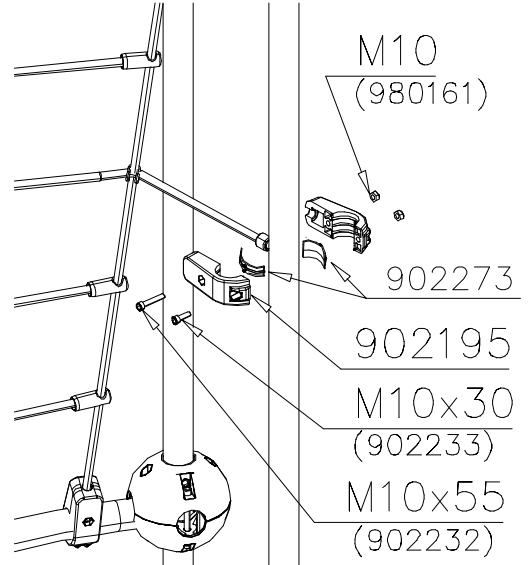
DET 2

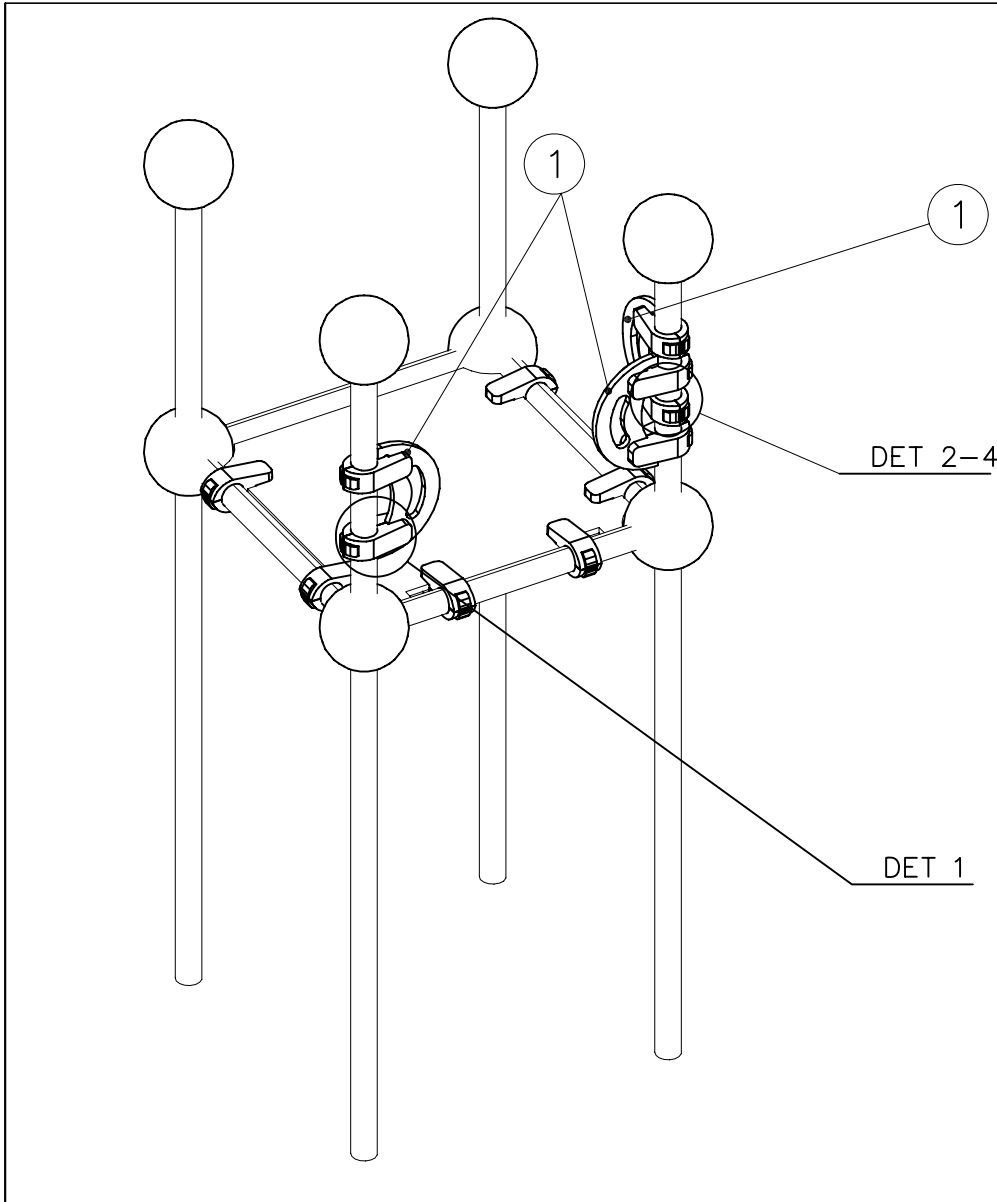


DET 3

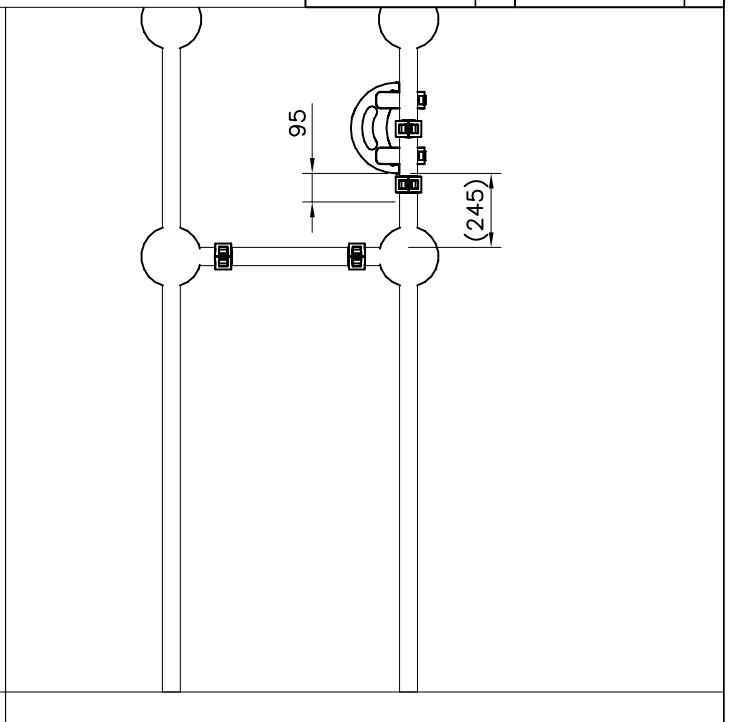
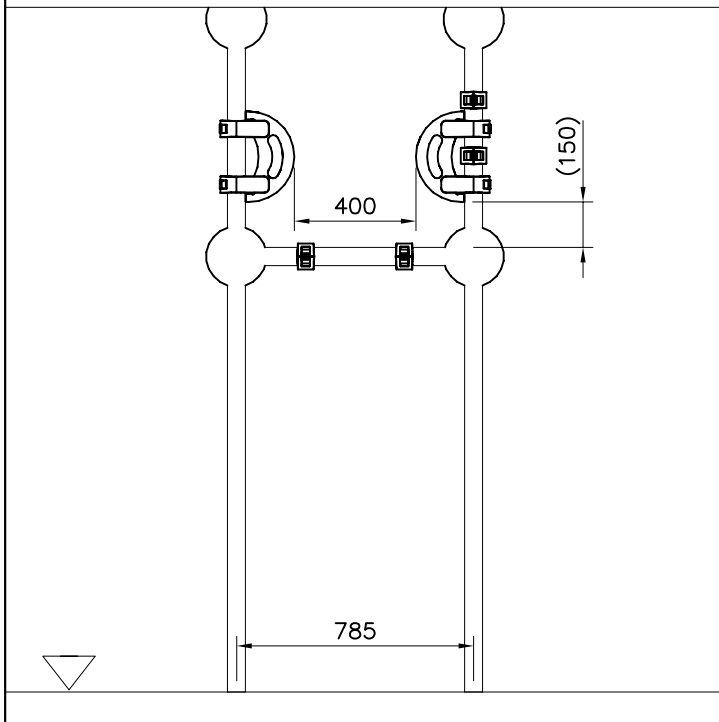


DET 4



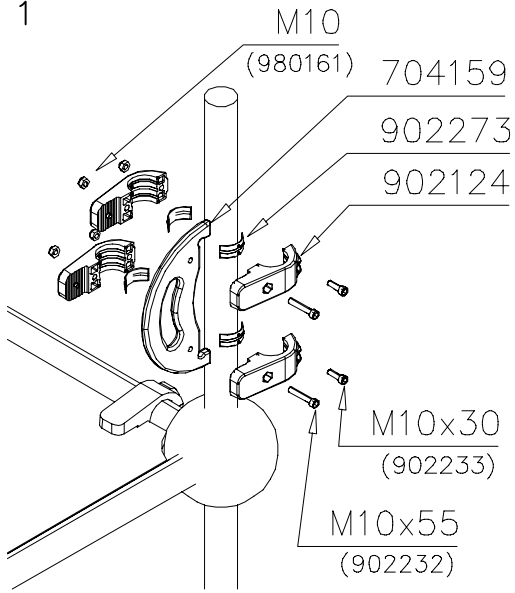


① 704158	PCS	② 902124	PCS
	1		4
		150x50x50	
③ 902232	PCS	④ 902233	PCS
	2		2
M10x55		M10x30	
⑤ 902273	PCS	⑥ 980161	PCS
	4		4
		M10	
	PCS		PCS
	PCS		PCS

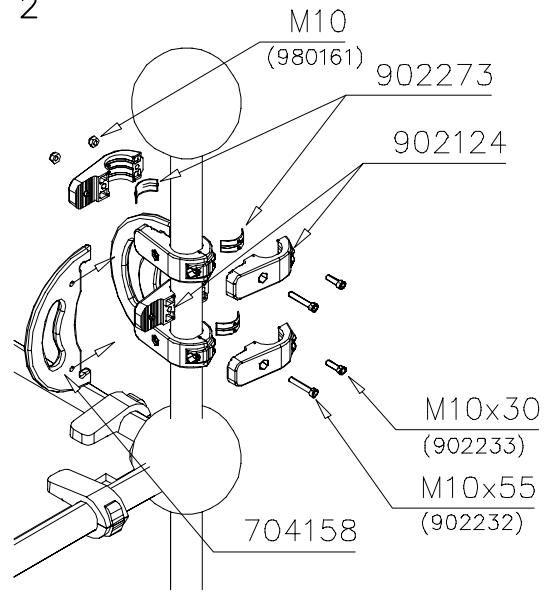




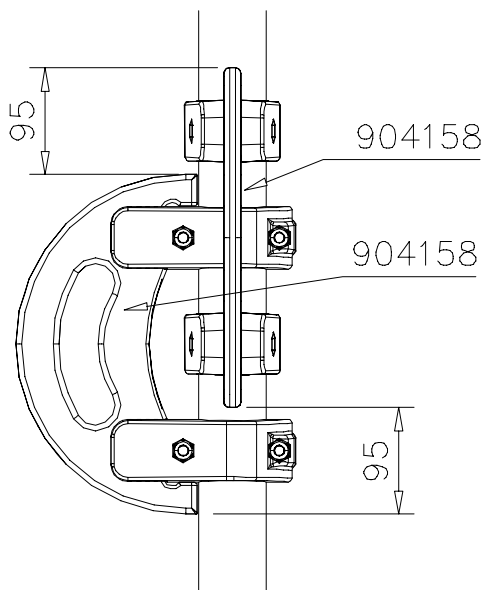
DET 1



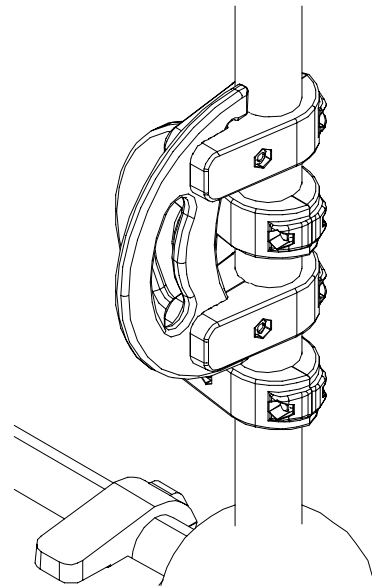
DET 2

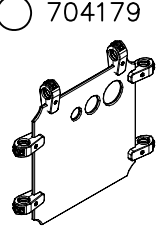
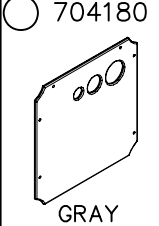
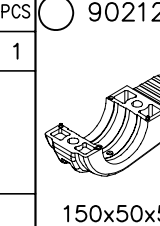
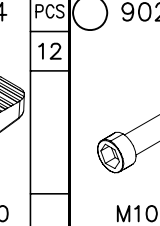
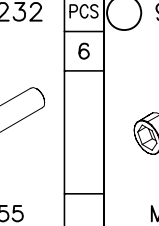
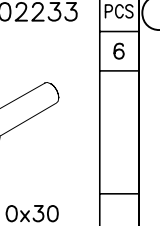
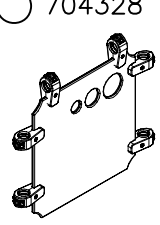
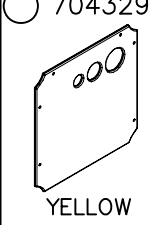
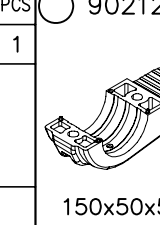
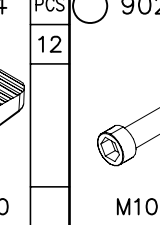
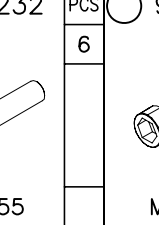
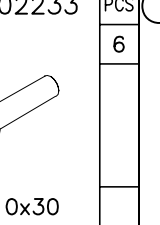
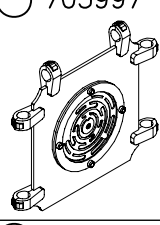
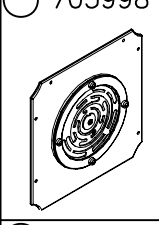
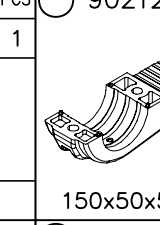
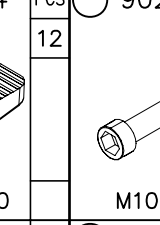
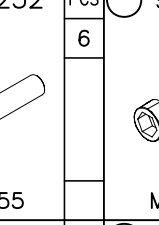
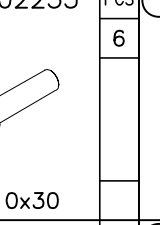
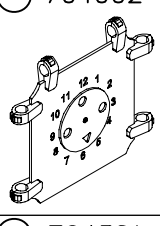
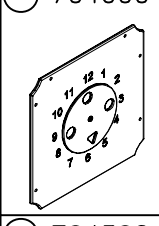
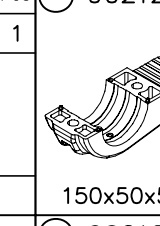
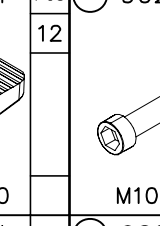
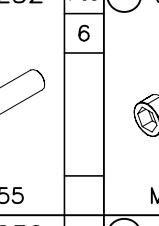
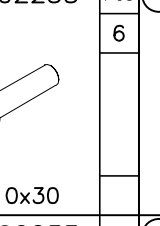
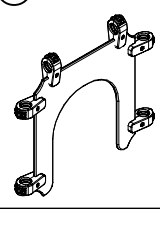
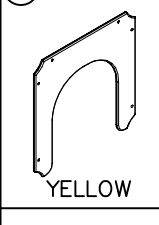
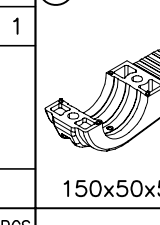
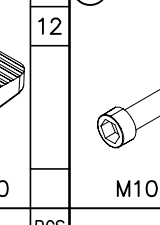
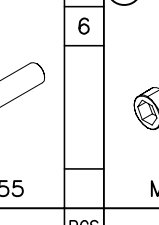
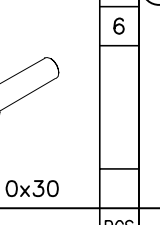


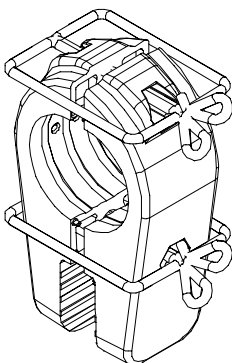
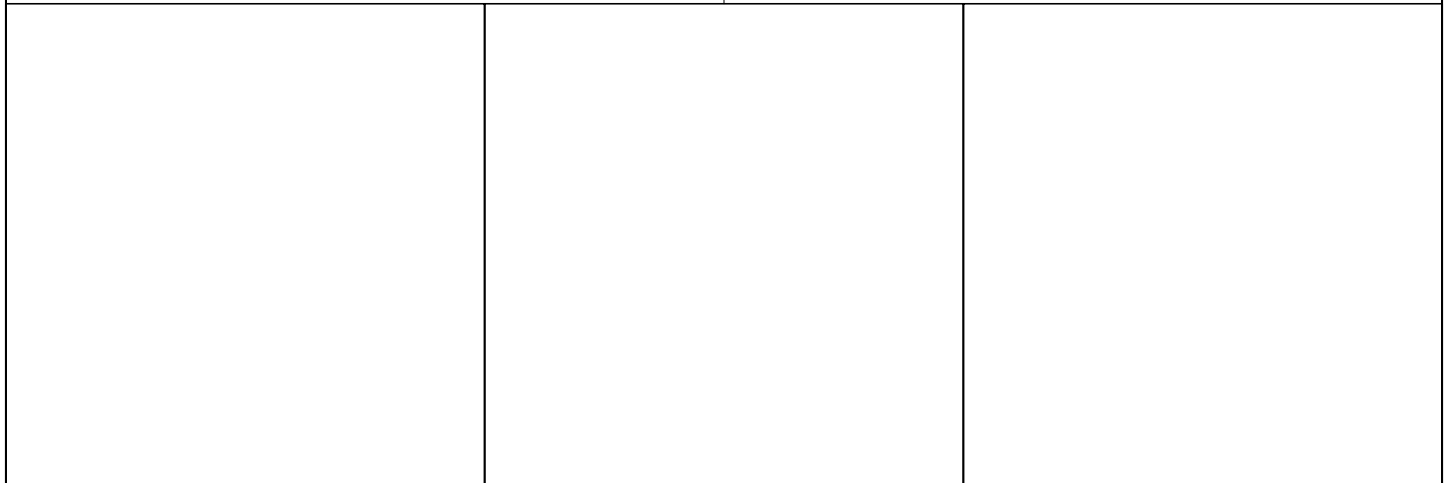
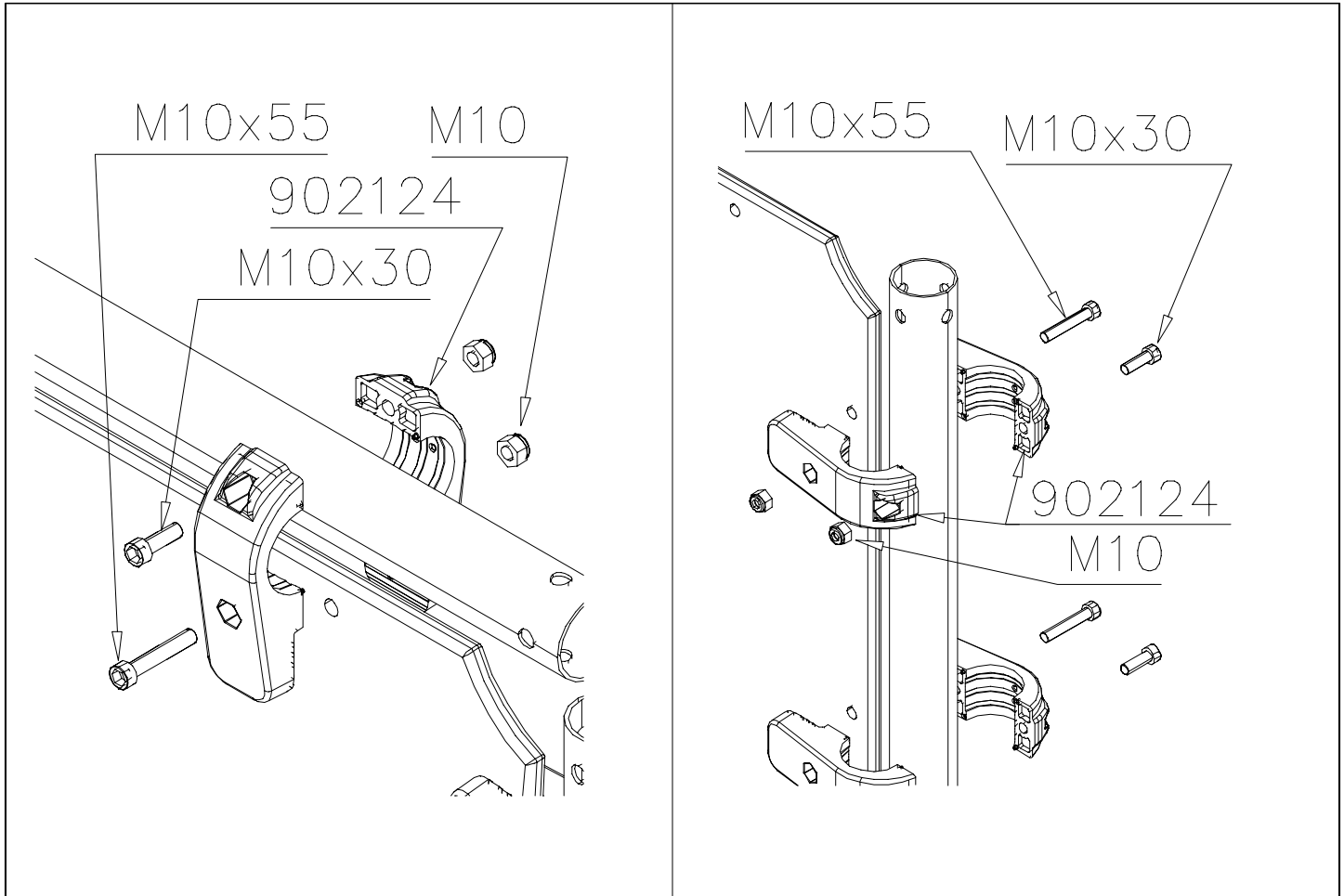
DET 3



DET 4

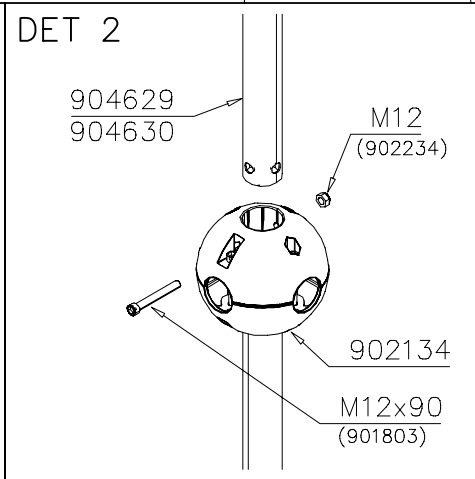
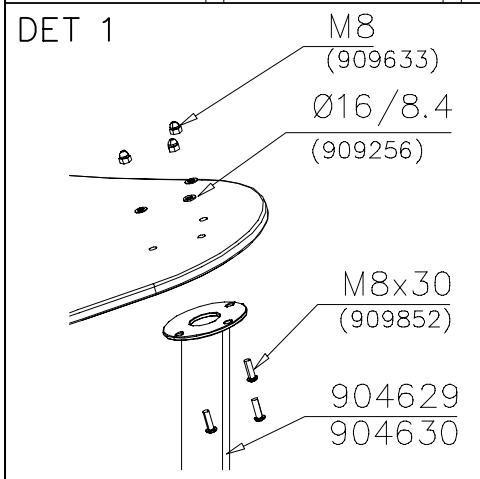
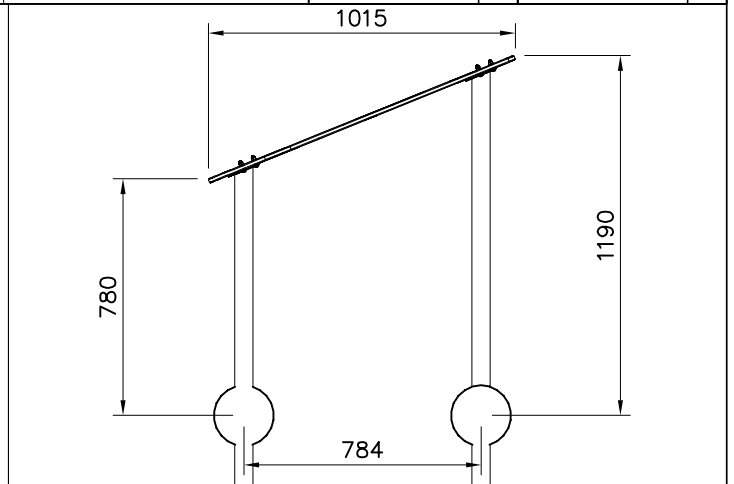
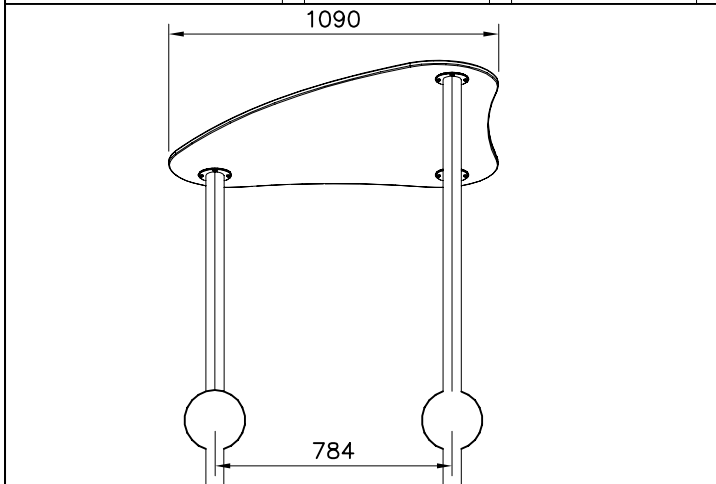
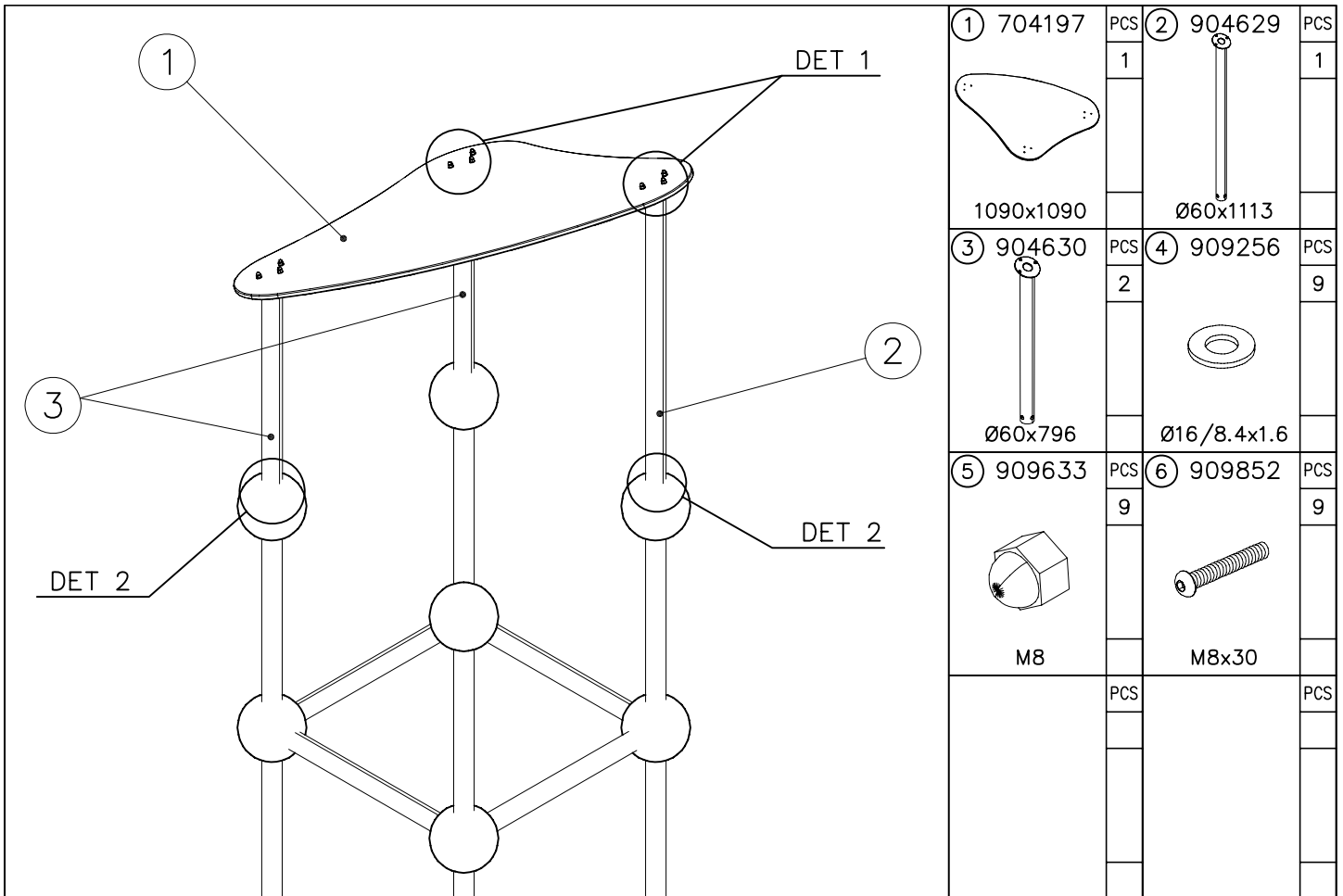


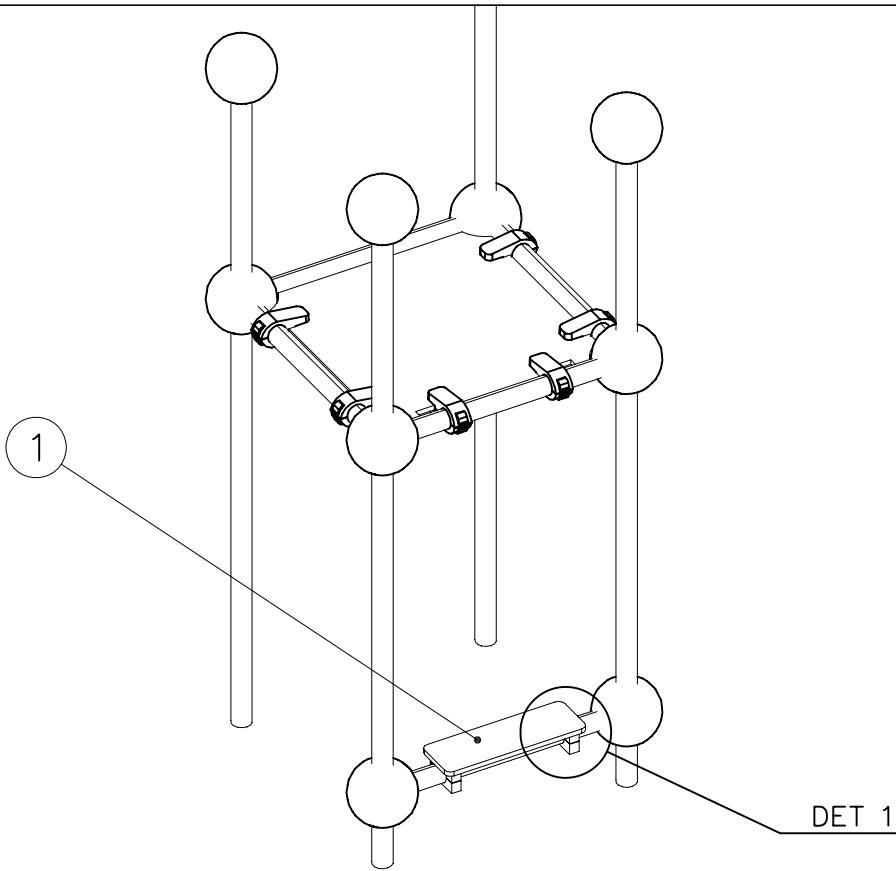
 <p>704179</p>	 <p>704180 GRAY</p>	<p>PCS</p> <p>1</p>	 <p>902124</p> <p>150x50x50</p>	<p>PCS</p> <p>12</p>	 <p>902232</p> <p>M10x55</p>	<p>PCS</p> <p>6</p>	 <p>902233</p> <p>M10x30</p>	<p>PCS</p> <p>6</p>	 <p>980161</p> <p>M10</p>	<p>PCS</p> <p>12</p>		<p>PCS</p>
 <p>704328</p>	 <p>704329 YELLOW</p>	<p>PCS</p> <p>1</p>	 <p>902124</p> <p>150x50x50</p>	<p>PCS</p> <p>12</p>	 <p>902232</p> <p>M10x55</p>	<p>PCS</p> <p>6</p>	 <p>902233</p> <p>M10x30</p>	<p>PCS</p> <p>6</p>	 <p>980161</p> <p>M10</p>	<p>PCS</p> <p>12</p>		<p>PCS</p>
 <p>703997</p>	 <p>703998</p>	<p>PCS</p> <p>1</p>	 <p>902124</p> <p>150x50x50</p>	<p>PCS</p> <p>12</p>	 <p>902232</p> <p>M10x55</p>	<p>PCS</p> <p>6</p>	 <p>902233</p> <p>M10x30</p>	<p>PCS</p> <p>6</p>	 <p>980161</p> <p>M10</p>	<p>PCS</p> <p>12</p>		<p>PCS</p>
 <p>704002</p>	 <p>704000</p>	<p>PCS</p> <p>1</p>	 <p>902124</p> <p>150x50x50</p>	<p>PCS</p> <p>12</p>	 <p>902232</p> <p>M10x55</p>	<p>PCS</p> <p>6</p>	 <p>902233</p> <p>M10x30</p>	<p>PCS</p> <p>6</p>	 <p>980161</p> <p>M10</p>	<p>PCS</p> <p>12</p>		<p>PCS</p>
 <p>704361</p>	 <p>704362 YELLOW</p>	<p>PCS</p> <p>1</p>	 <p>902124</p> <p>150x50x50</p>	<p>PCS</p> <p>12</p>	 <p>902232</p> <p>M10x55</p>	<p>PCS</p> <p>6</p>	 <p>902233</p> <p>M10x30</p>	<p>PCS</p> <p>6</p>	 <p>980161</p> <p>M10</p>	<p>PCS</p> <p>12</p>		<p>PCS</p>
		<p>PCS</p>		<p>PCS</p>		<p>PCS</p>		<p>PCS</p>		<p>PCS</p>		<p>PCS</p>
		<p>PCS</p>		<p>PCS</p>		<p>PCS</p>		<p>PCS</p>		<p>PCS</p>		<p>PCS</p>
		<p>PCS</p>		<p>PCS</p>		<p>PCS</p>		<p>PCS</p>		<p>PCS</p>		<p>PCS</p>



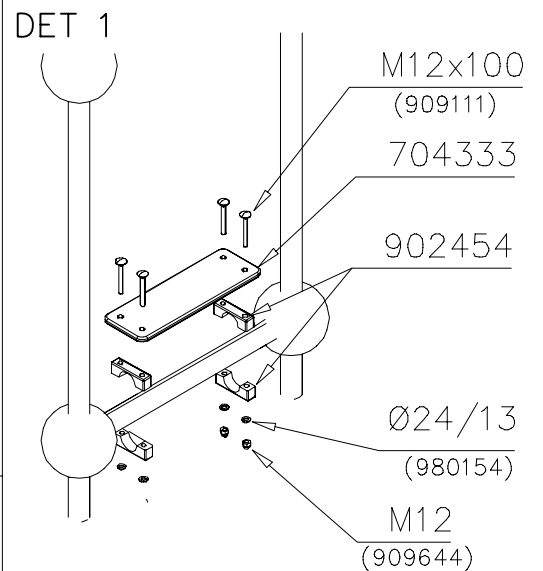
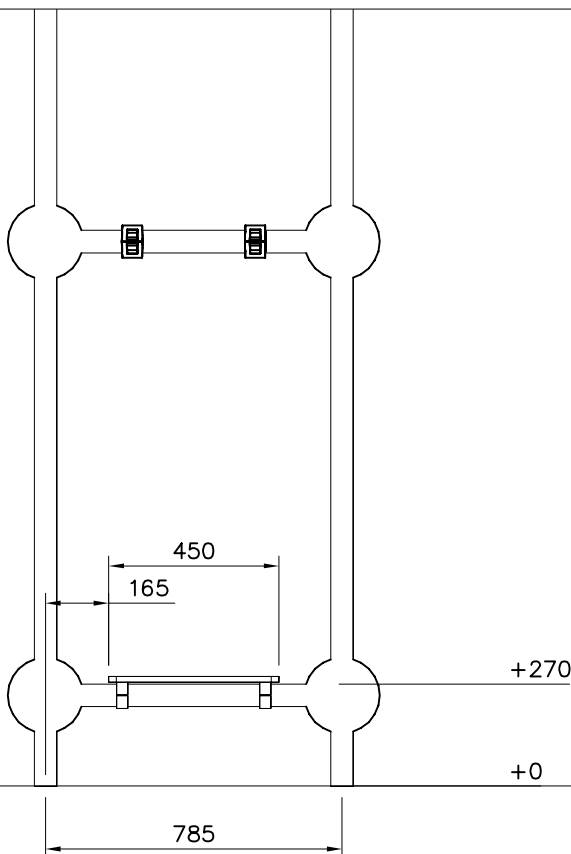
NOTE:  
 Use a wire marked pairs  
 of the same junction.

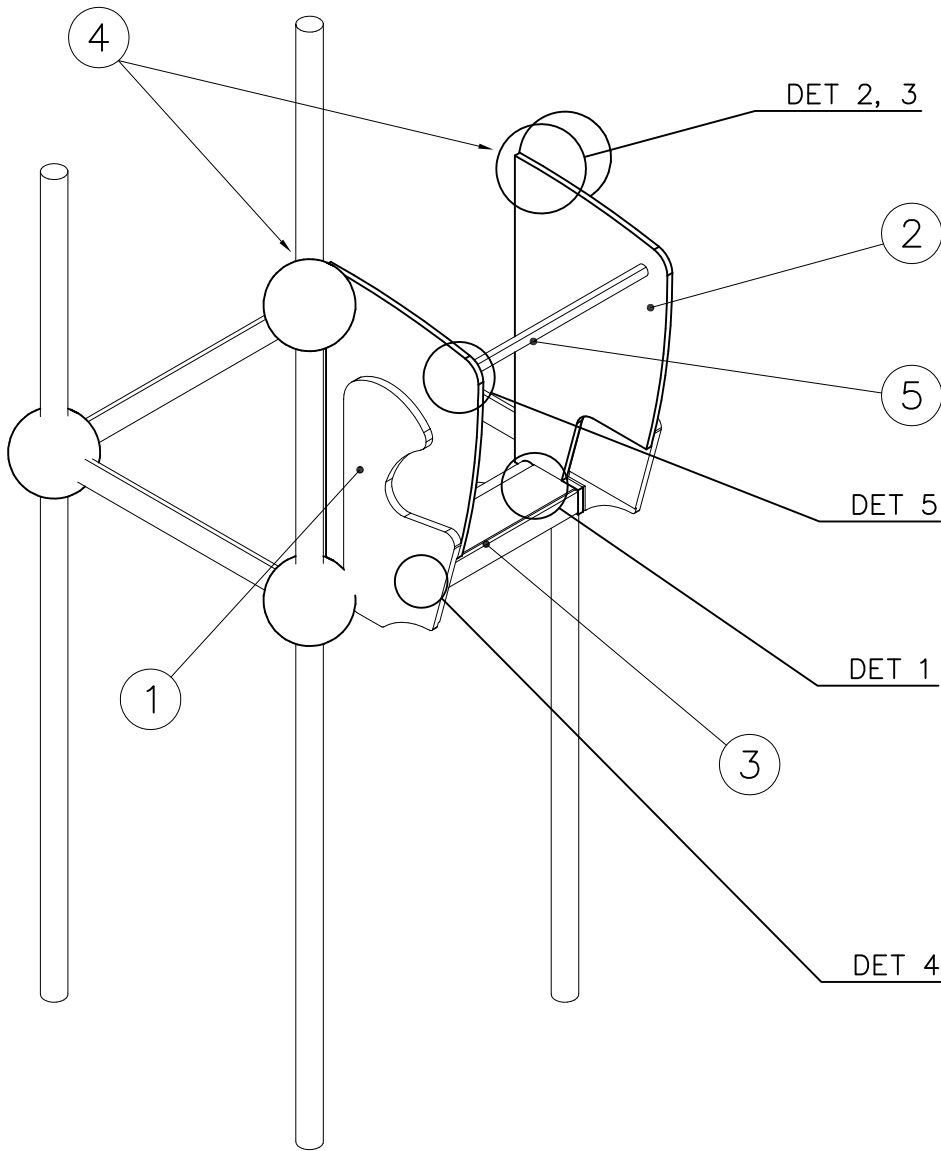
Huom!  
 Käytä langalla merkittyä  
 paria samassa liitoksessa.





① 704333	PCS	② 902454	PCS
	1		4
③ 909111	PCS	④ 909644	PCS
	4		4
M12x100		M12	
⑤ 980154	PCS		PCS
	4		
Ø24/13			
	PCS		PCS
	PCS		PCS





① 704696	PCS	② 704697	PCS
	1		1
③ 904810	PCS	④ 904818	PCS
	1		2
⑤ 904833	PCS	⑥ 909876	PCS
	1		4
Ø30x565		M8x40	
⑦ 980152	PCS	⑧ 909855	PCS
	6		6
Ø24/8.4		M8x35	
		⑨ 999561	PCS
			1
		GLUE 4101 ergo 10 g	
		10 g	

