

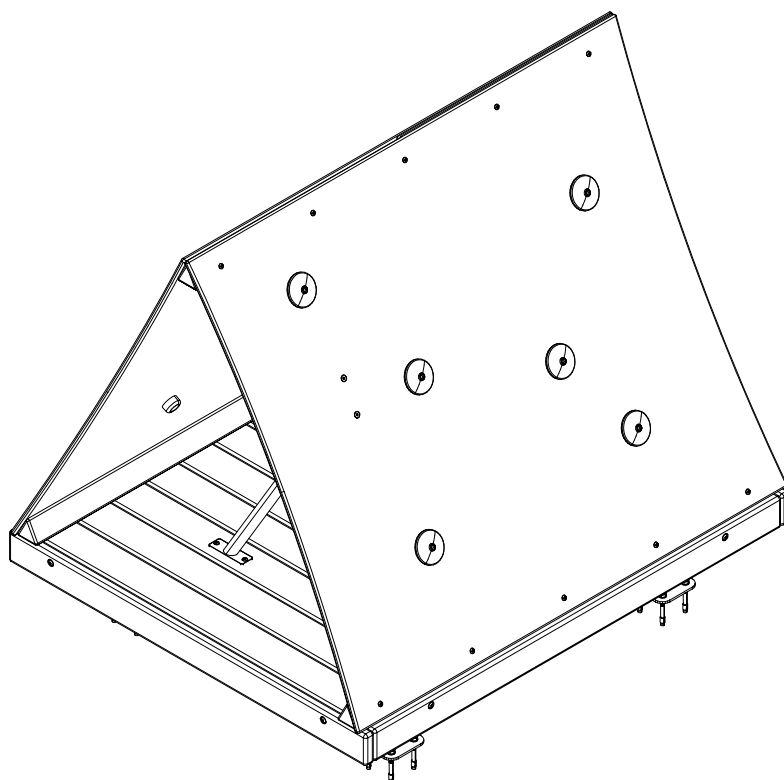
LAPPSET®

MOOMIN

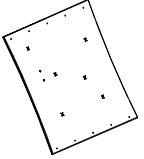
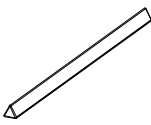
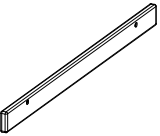
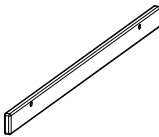

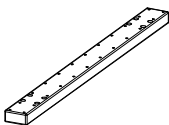
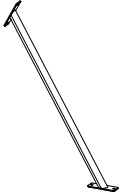

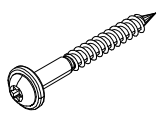
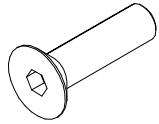
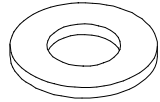
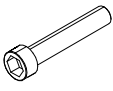
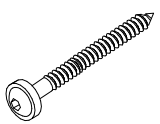
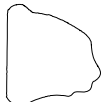
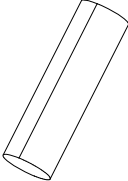
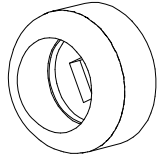
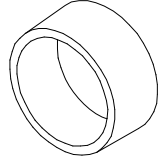
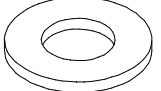
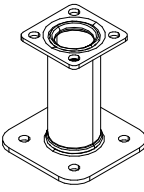
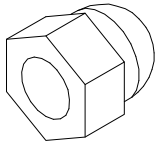
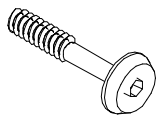
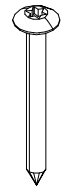
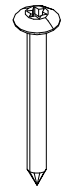
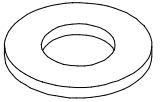
ASENNUSOHJE
MONTERINGSANSVISNING
INSTALLATION INSTRUCTION
AUFBAUANLEITUNG
NOTICE D'INSTALLATION

DATE: 25.2.2022

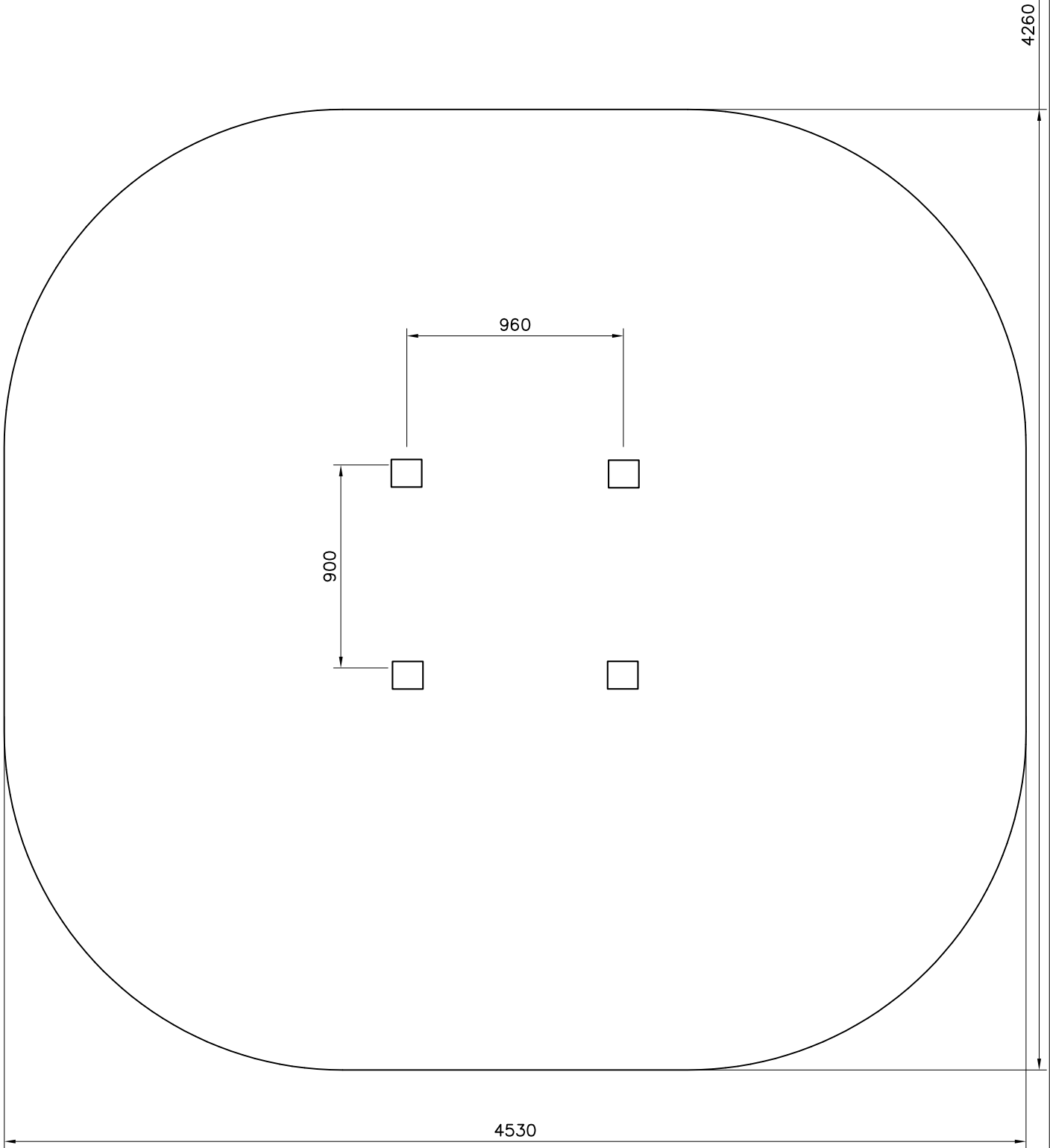
Q16122

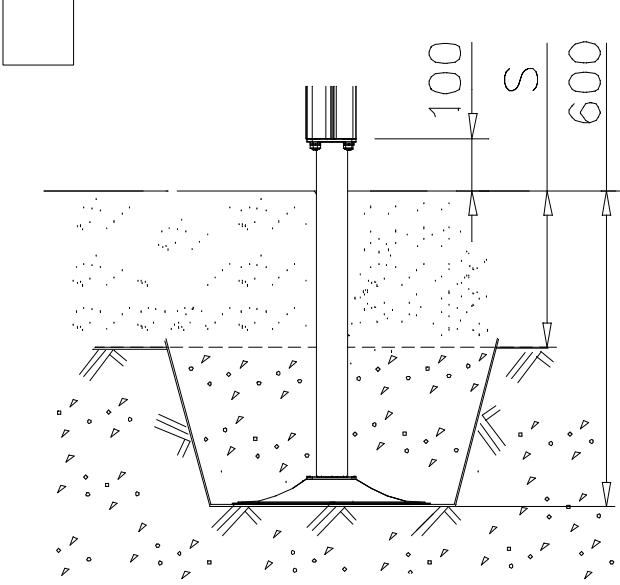


DATE: 25.2.2022

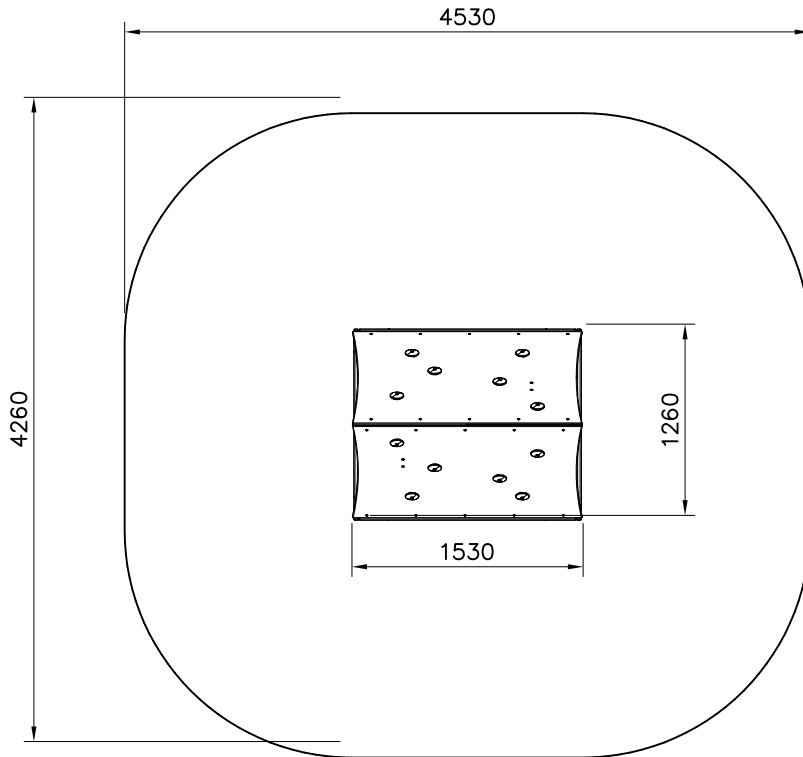
P16192	PCS	709961	PCS	709962	PCS	709963	PCS	709964	PCS	709967	PCS
	2		3		2		2		12		2
15x1500x1530		90x85x1500		32x95x1440		32x95x1290		45x120x1200		50x100x1290	
911483	PCS	980161	PCS	900240	PCS	900348	PCS	901302	PCS	902232	PCS
	2		12		56		4		12		12
		M10		Ø8x70		M8x30		Ø20/10.5x2		M10x55	
903093	PCS	904299	PCS	904336	PCS	905090	PCS	905115	PCS	909256	PCS
	6		12		12		12		12		16
Ø8x90		YELLOW		Ø6x20		Ø45		Ø30		Ø16/8.4x1.6	
909531	PCS	909633	PCS	909876	PCS	980123	PCS	980128	PCS	980151	PCS
	4		20		16		20		4		4
		M8		M8x40		Ø7x60		Ø7x40		Ø16/8.4	
	PCS		PCS		PCS		PCS		PCS		PCS
	PCS		PCS		PCS		PCS		PCS		PCS
	PCS		PCS		PCS		PCS		PCS		PCS

EN/AS Impact Area 17.4 m²

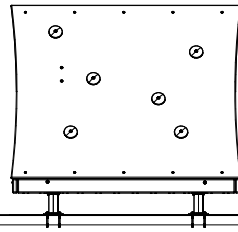


- EN/AS Impact Area 17.4 m²
- Falling Space 17.4 m²
Max Falling Height 1300 mm



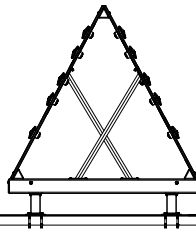
+1470

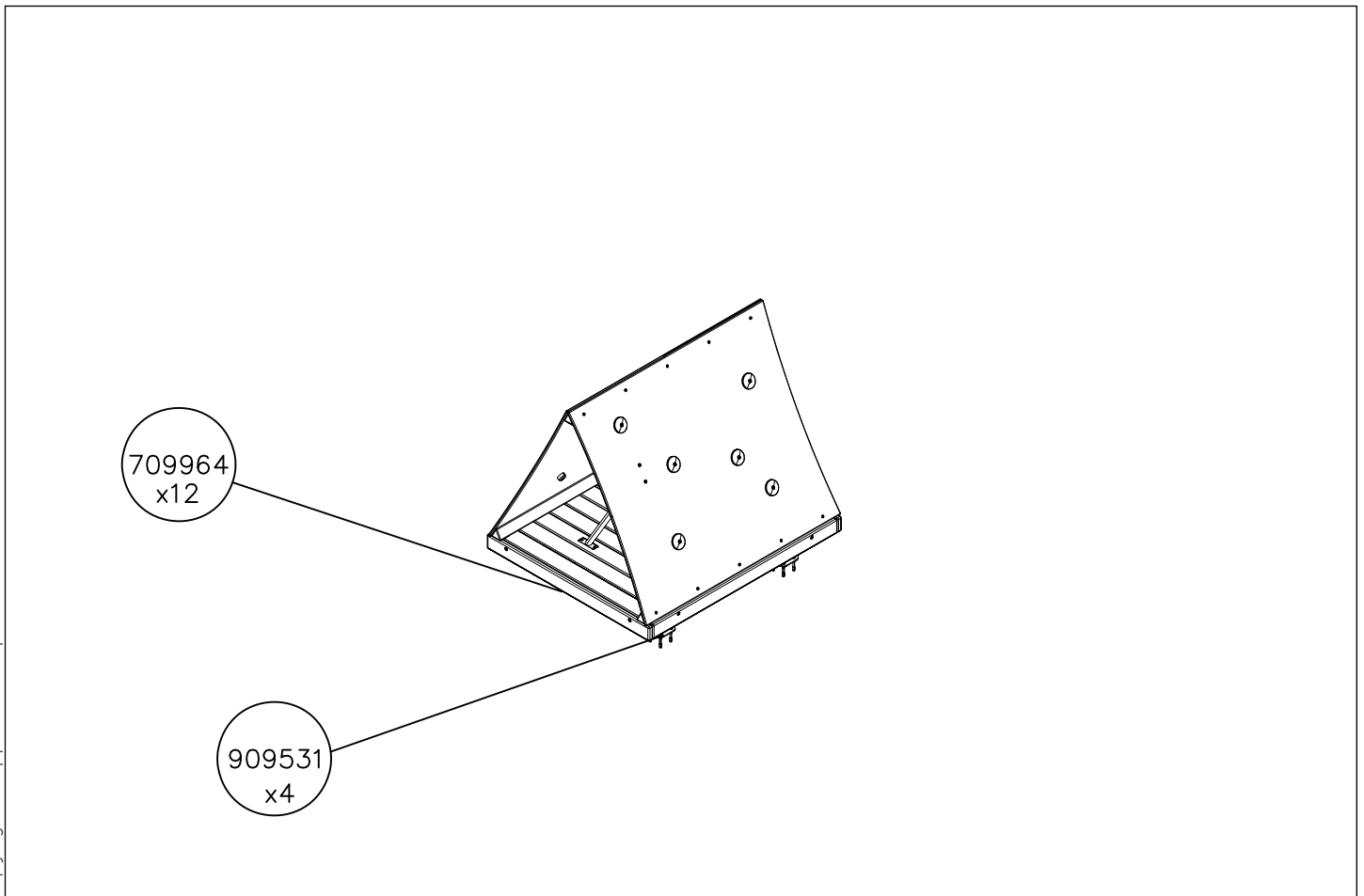
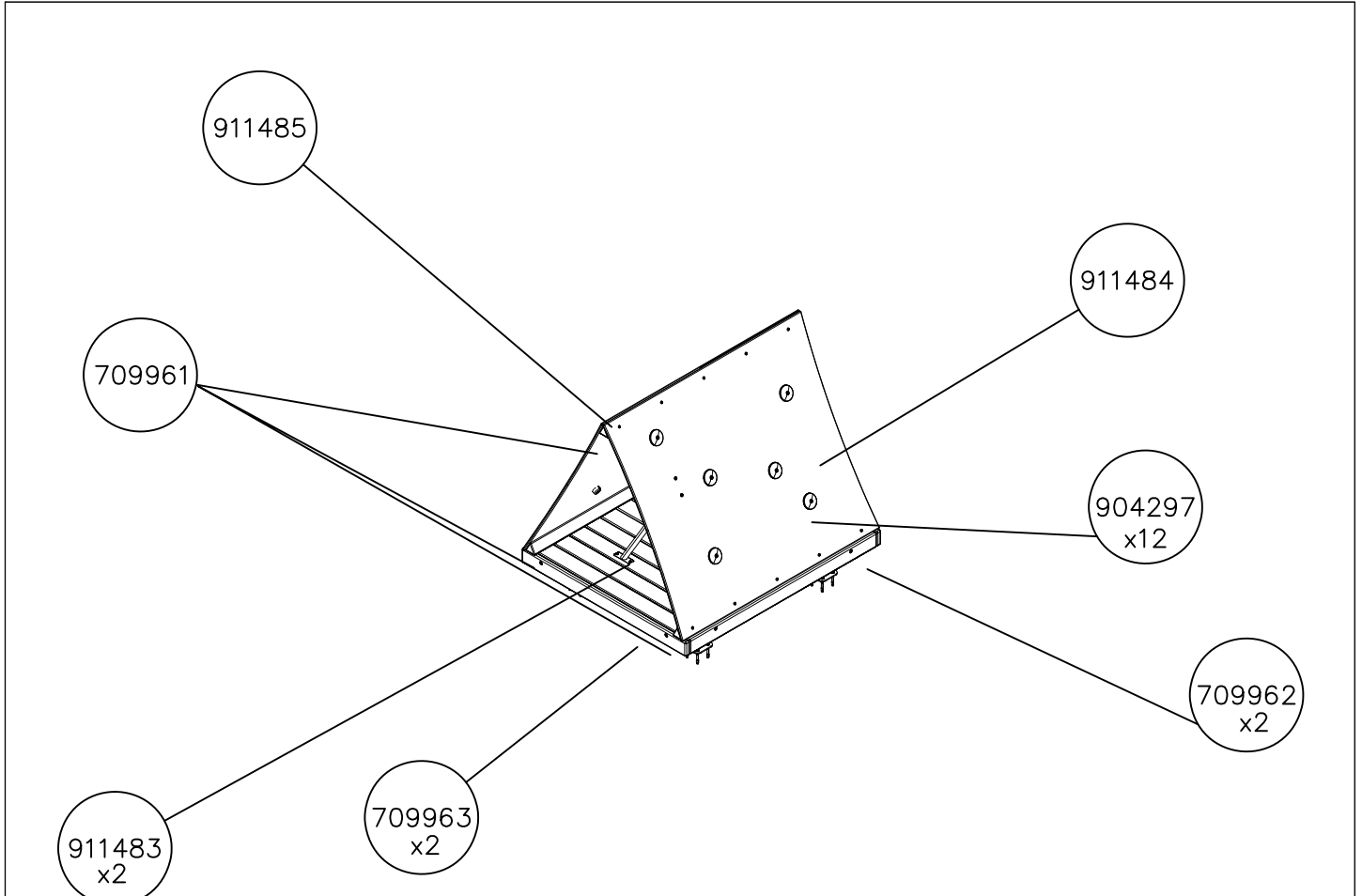


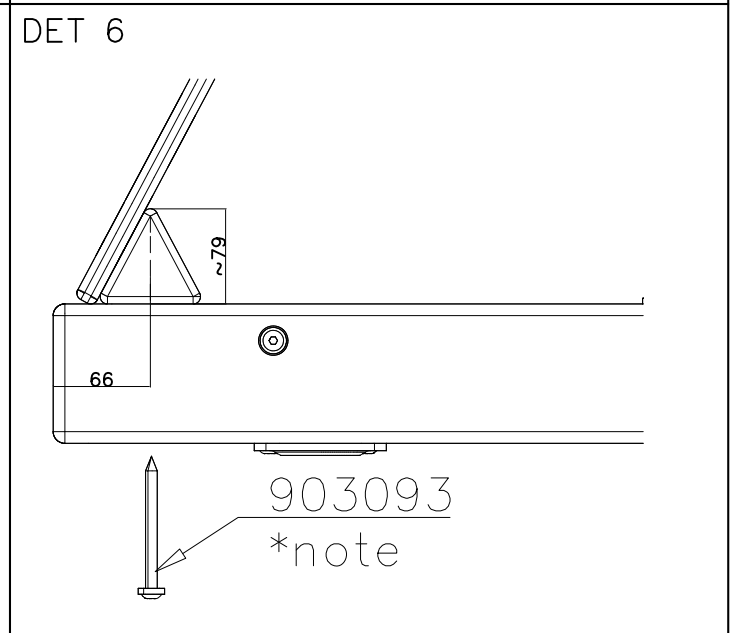
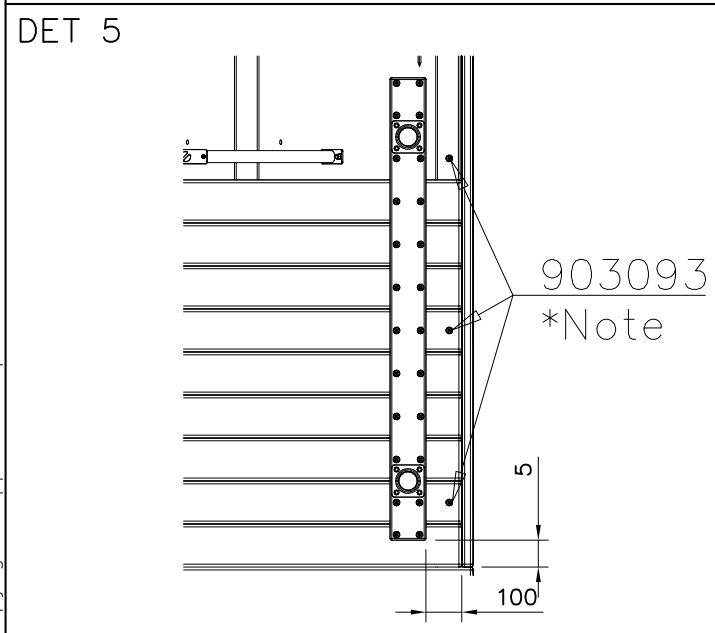
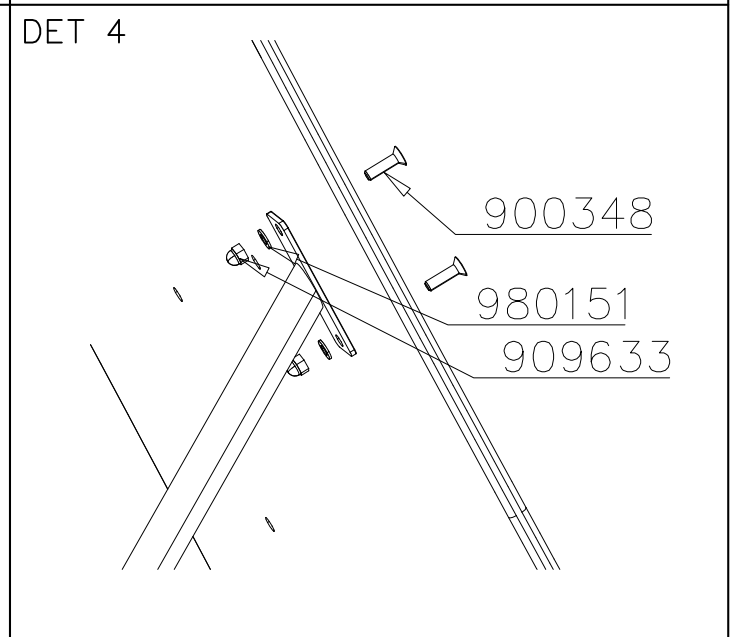
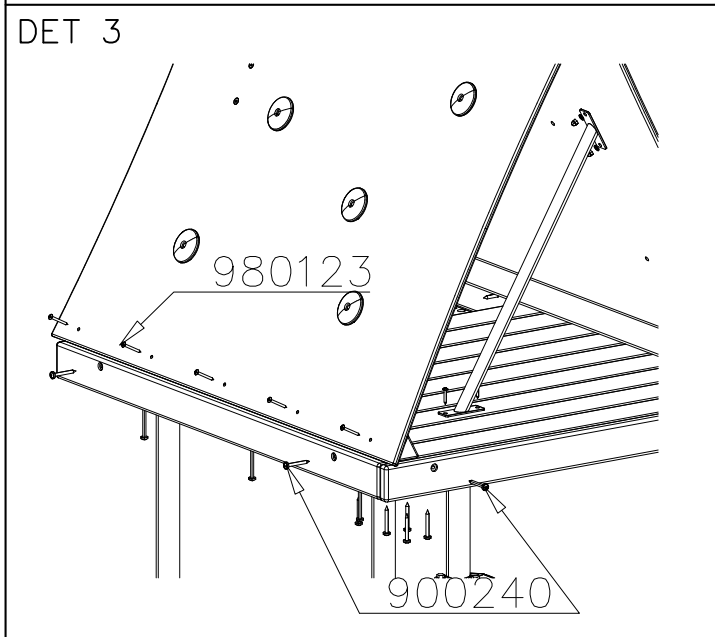
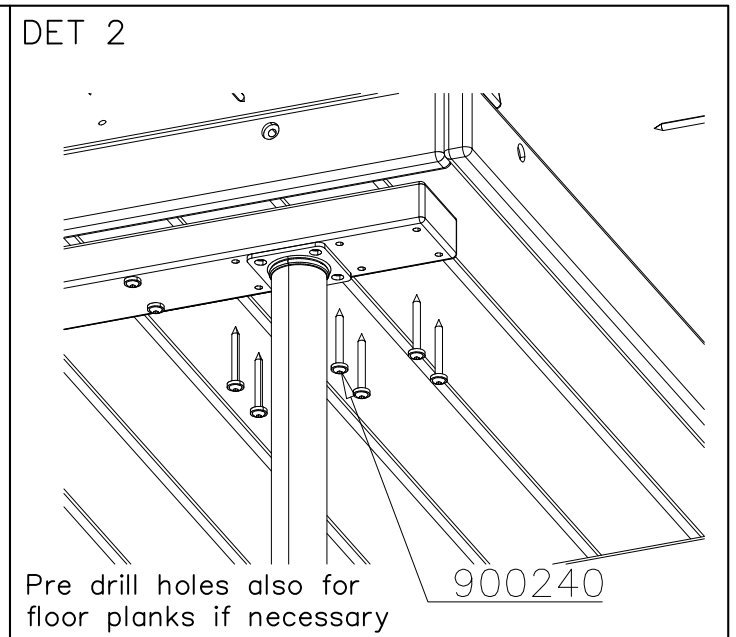
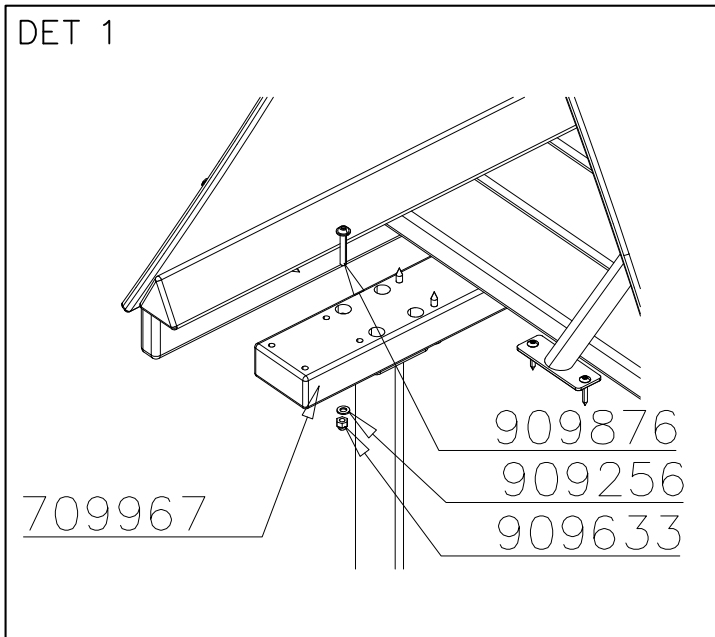
+160

+60

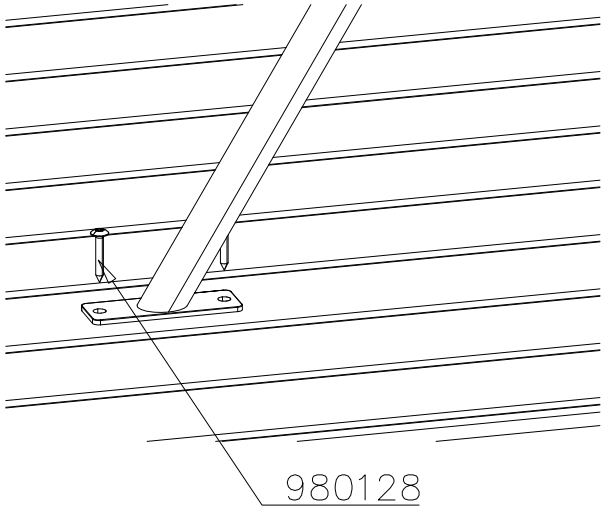
+0



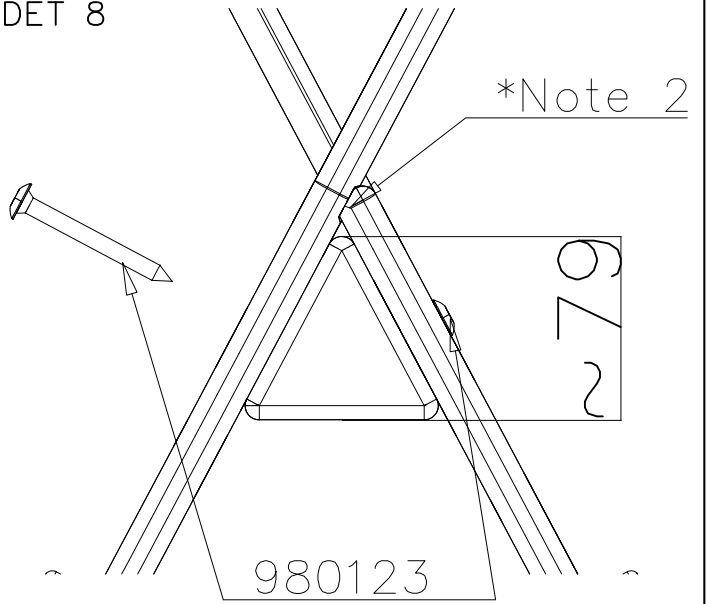




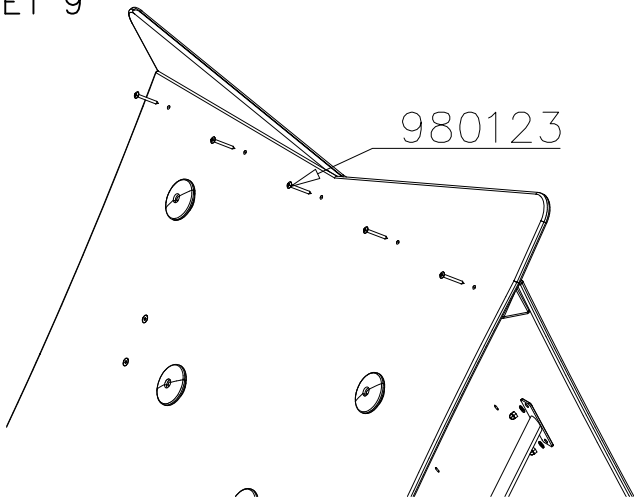
DET 7



DET 8



DET 9



*note

Use 3x Screws (903093) evenly to attach the beam 709961 from beneath

*note 2

the plates have groove on otherside and chamfer on otherside to make a smooth joint

Max falling height

