

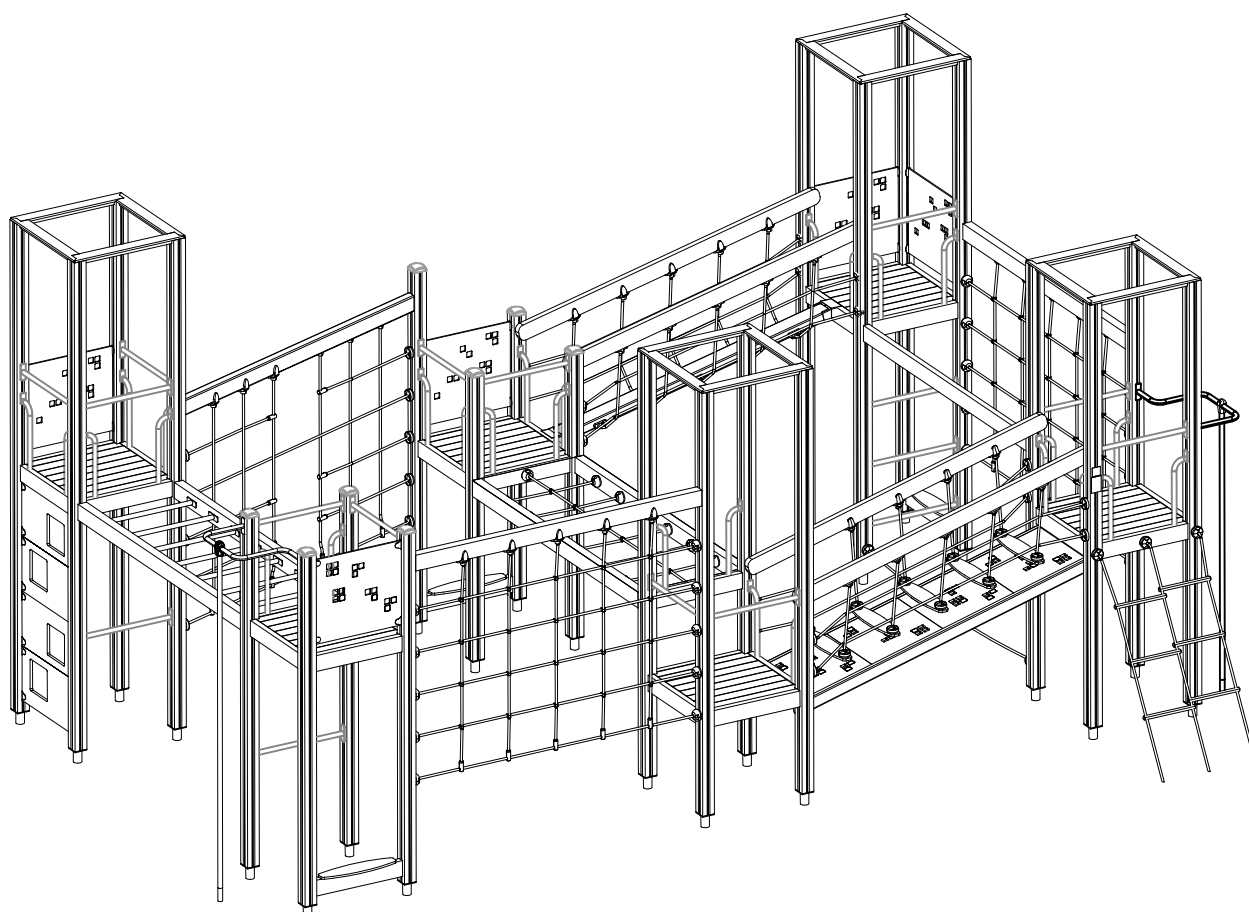
# LAPPSET®

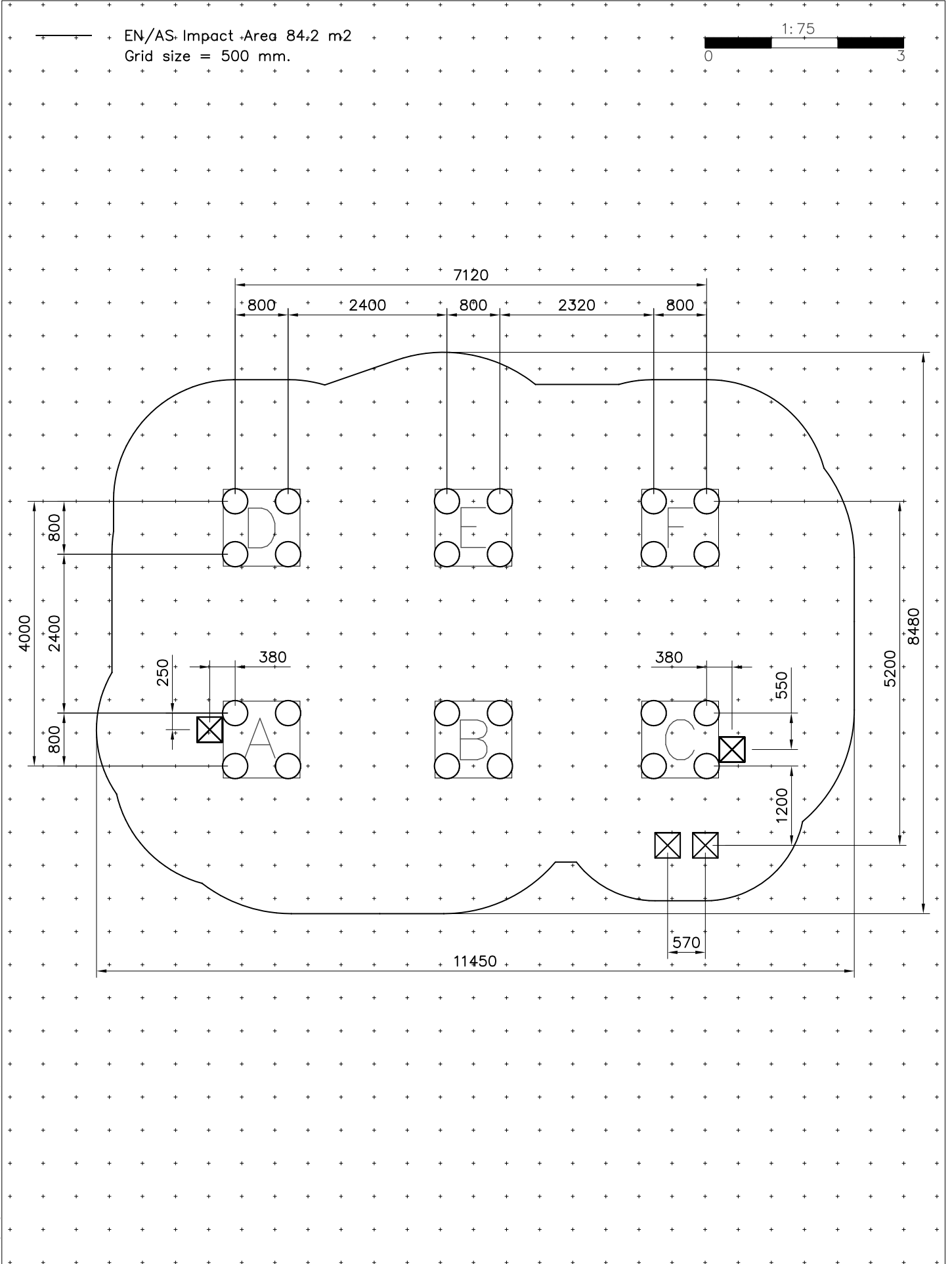
## FINNO

ASENNUSOHJE  
MONTERINGSANSVISNING  
INSTALLATION INSTRUCTION  
AUFBAUANLEITUNG  
NOTICE D'INSTALLATION

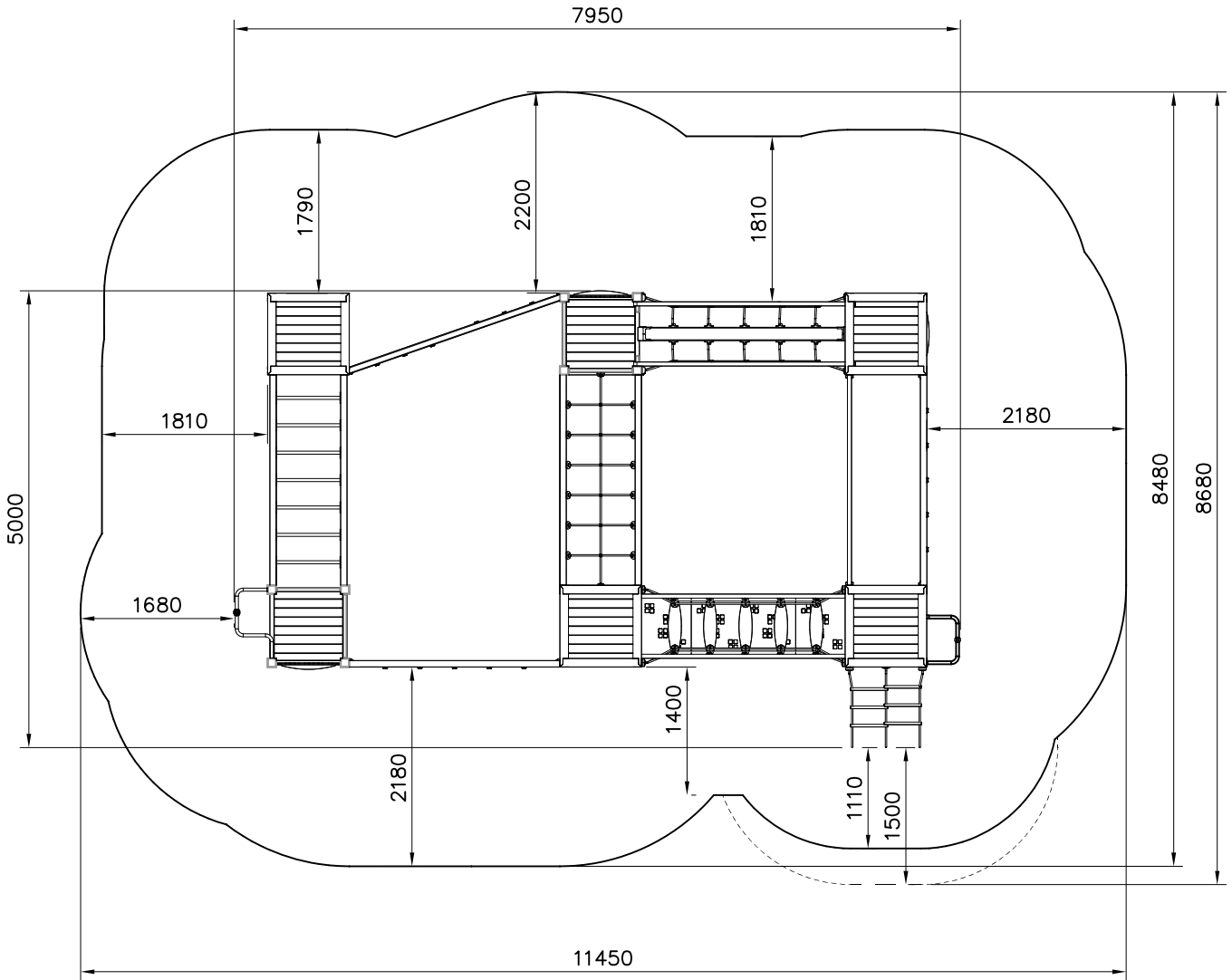
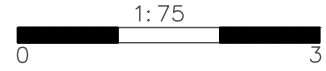
DATE: 10.6.2020

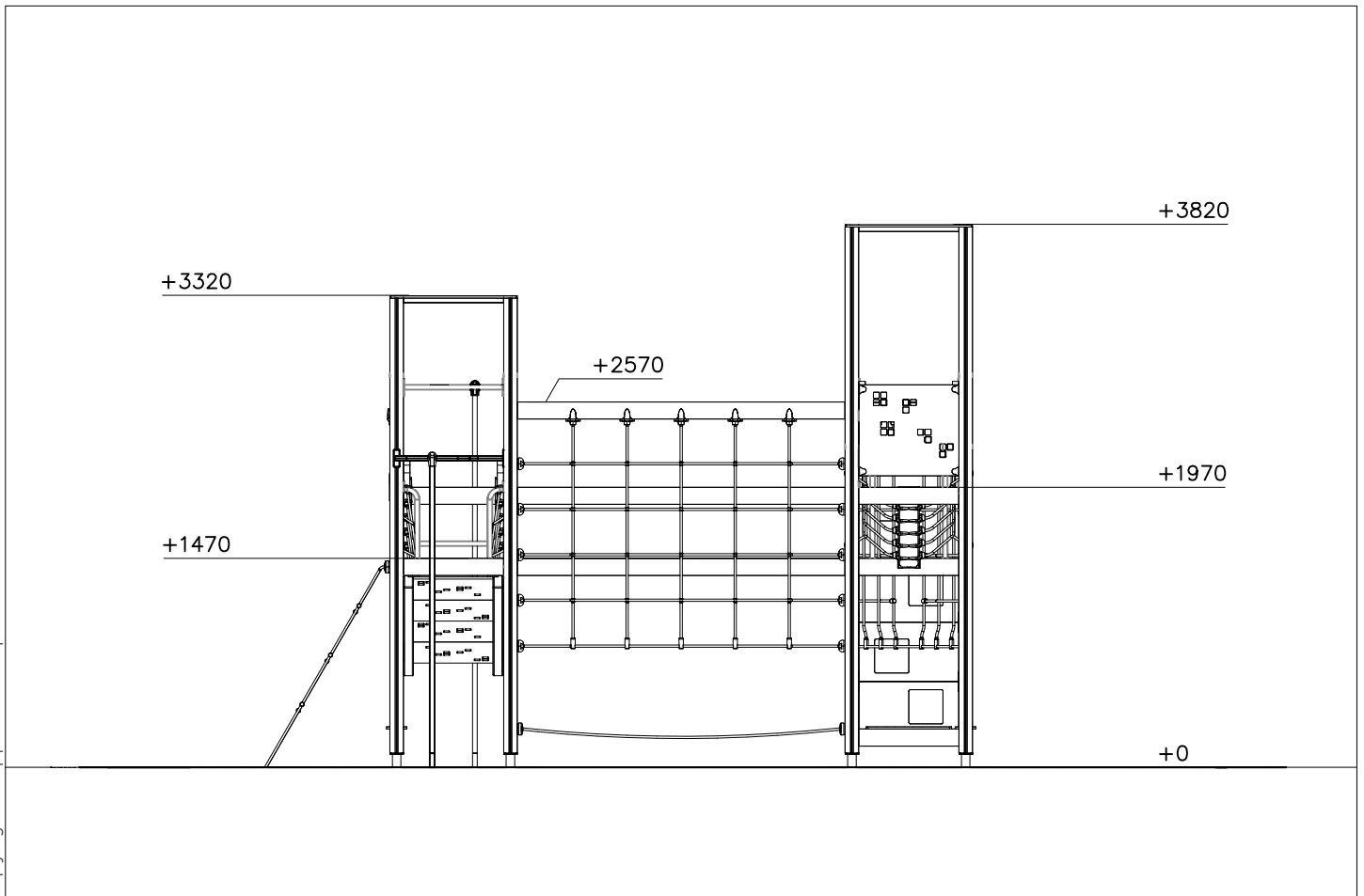
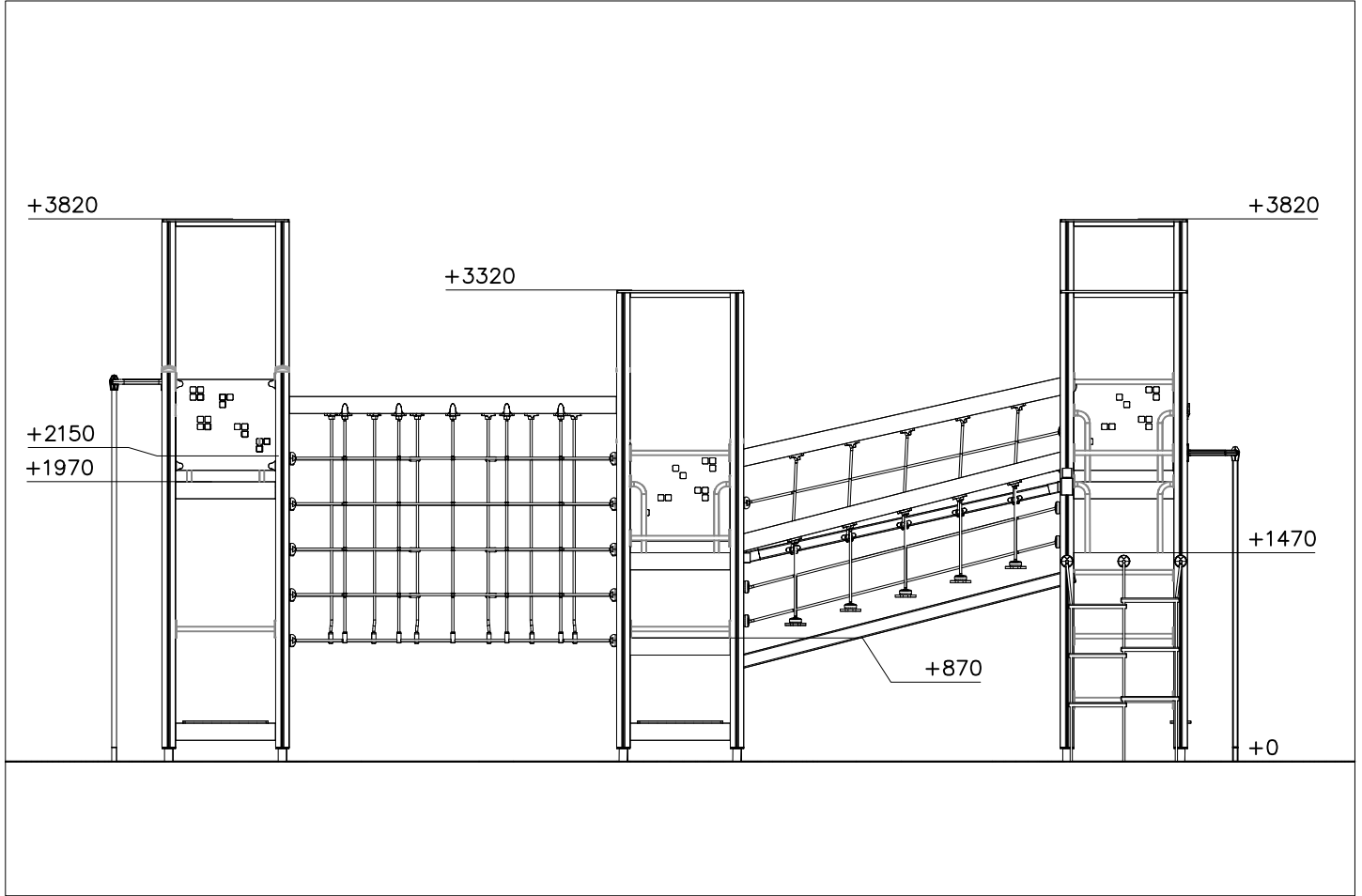
### 137300M

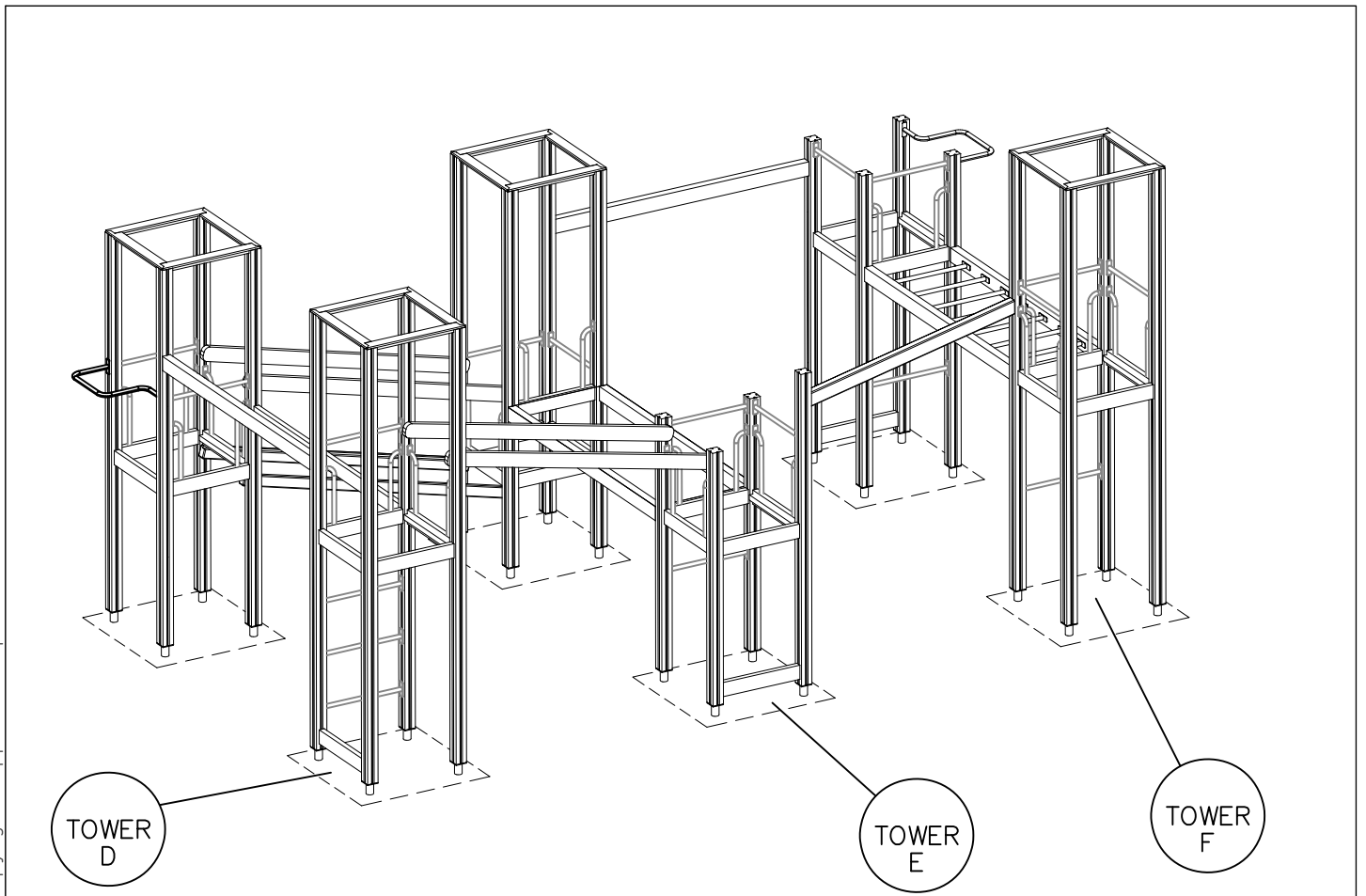
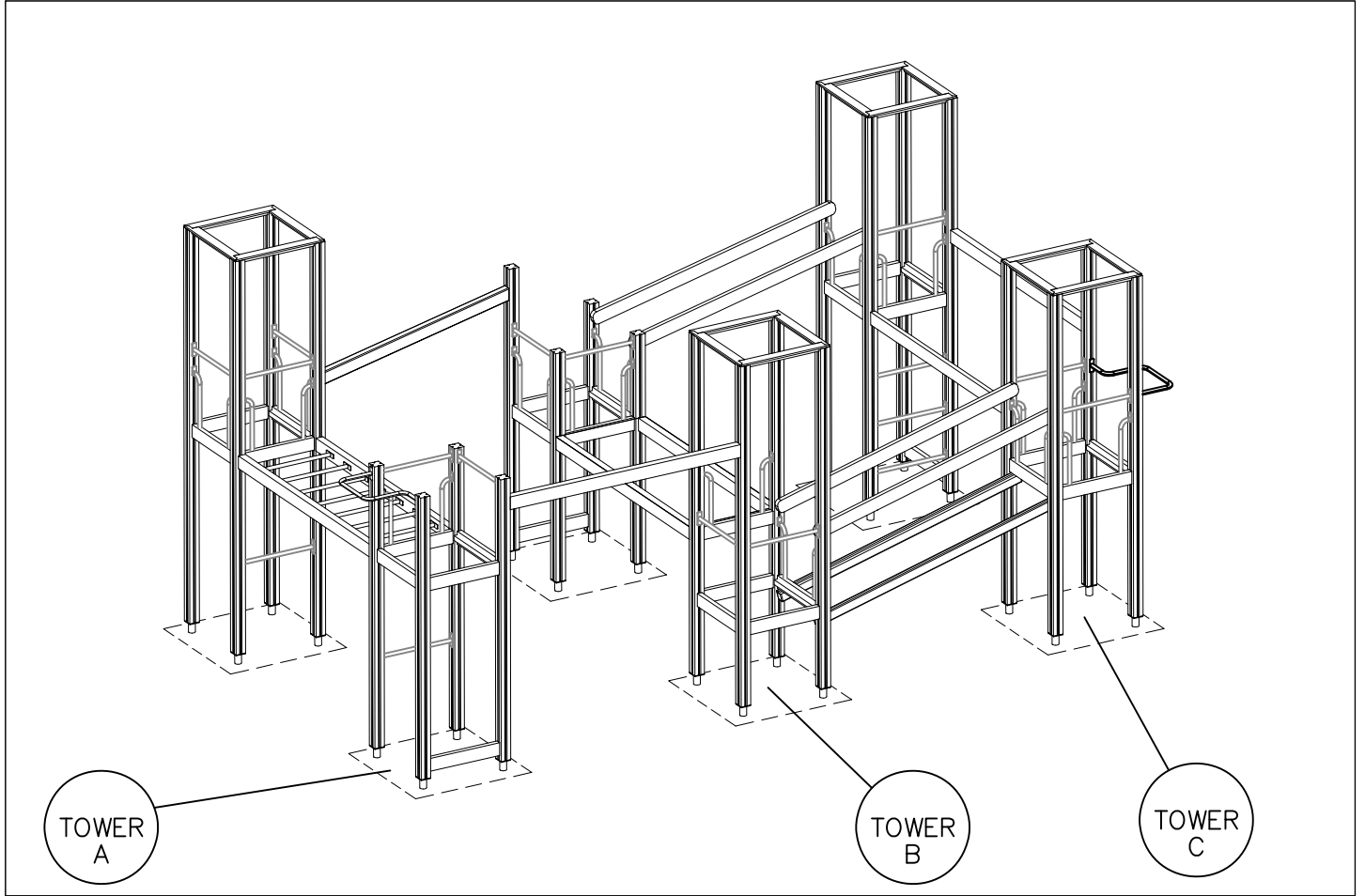




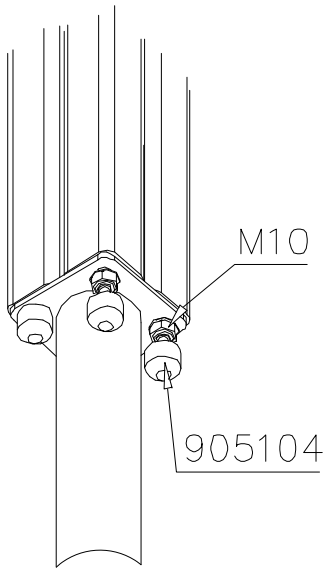
- EN/AS Impact Area 84.2 m<sup>2</sup>
- - - Falling Space 85.6 m<sup>2</sup>  
Max Falling Height 2570 mm



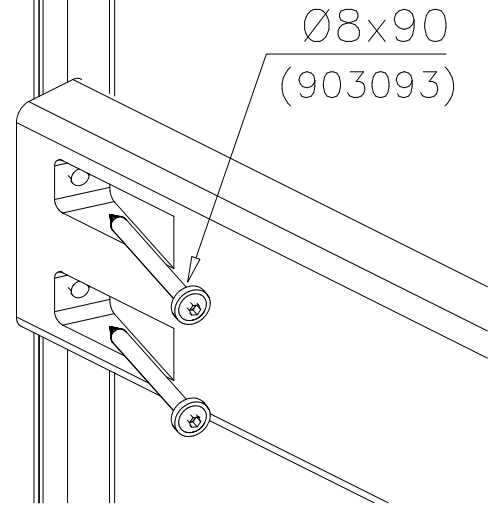




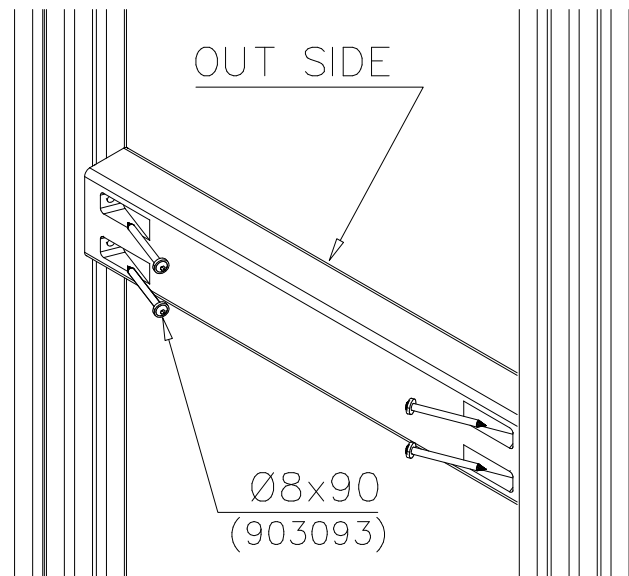
DET 1



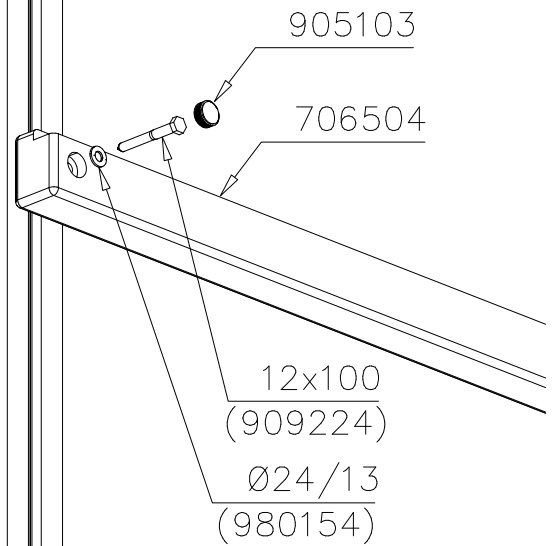
DET 2



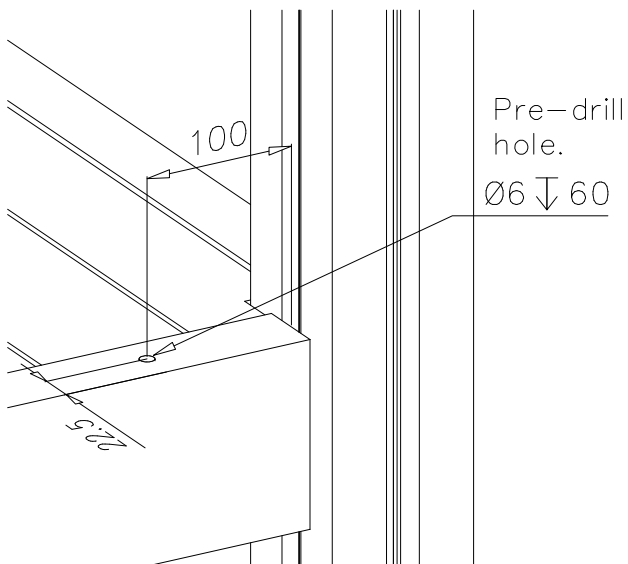
DET 3



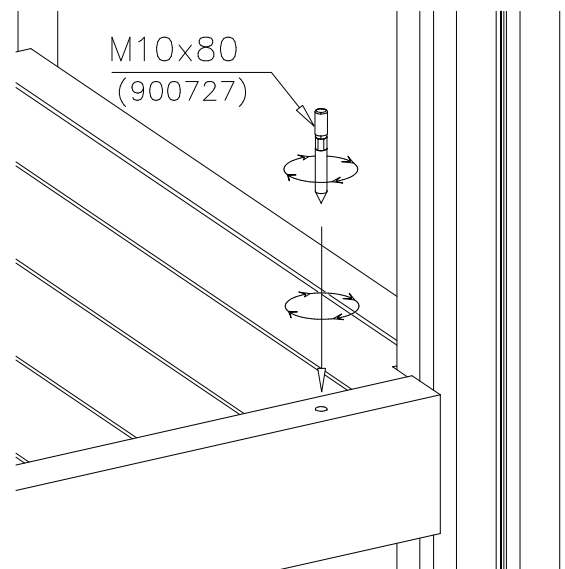
DET 4

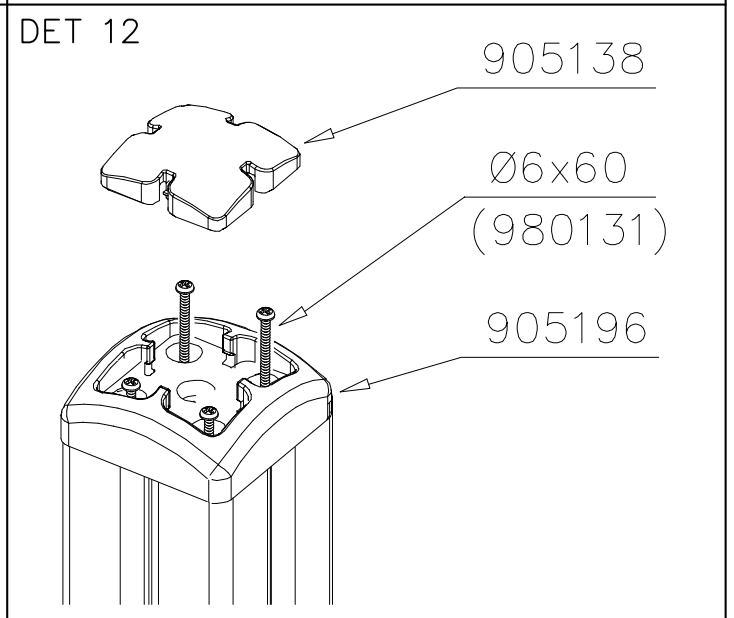
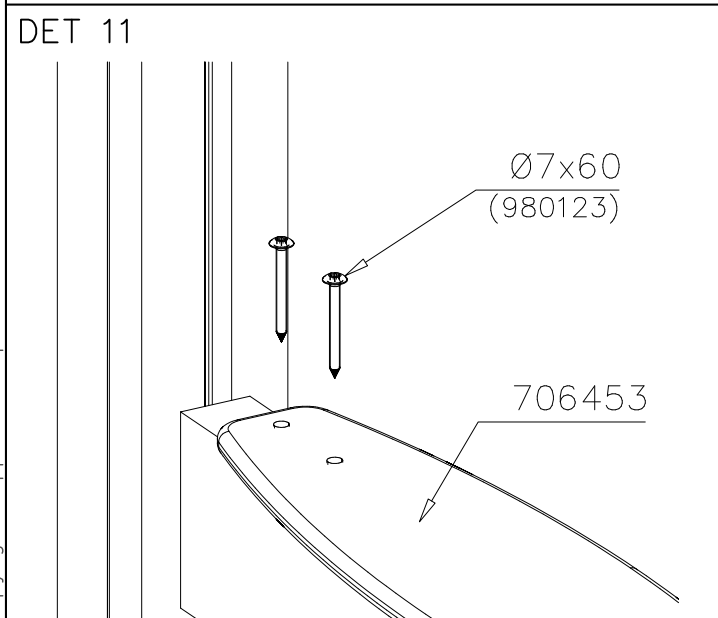
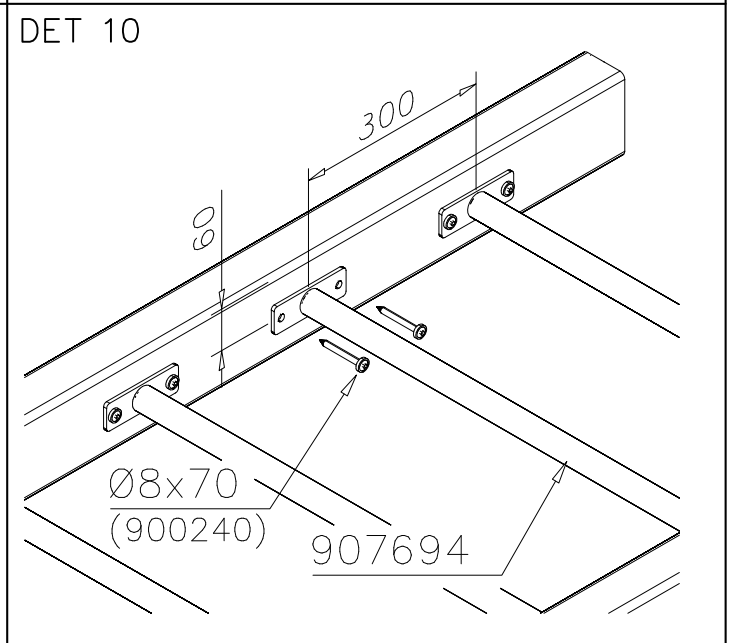
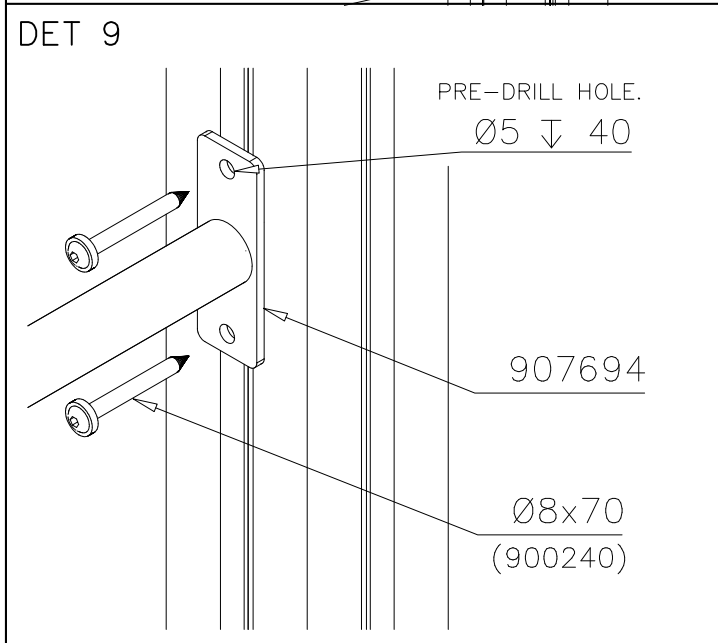
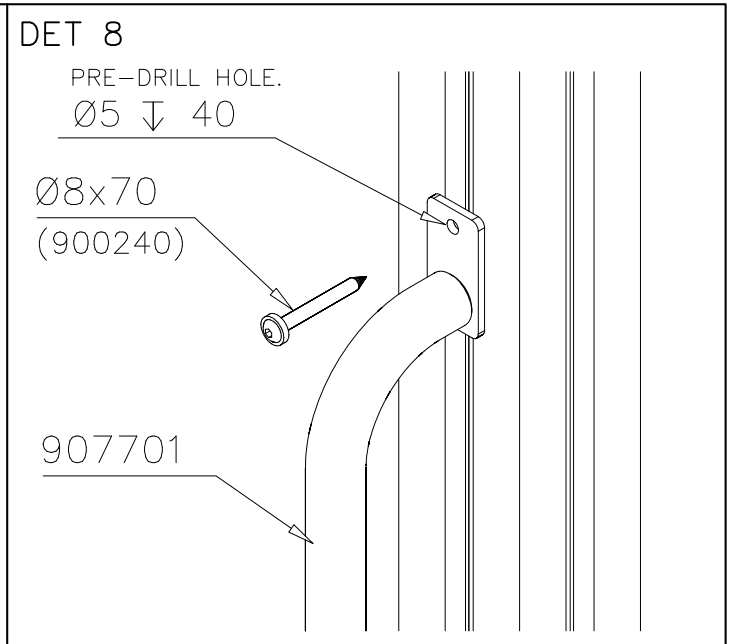
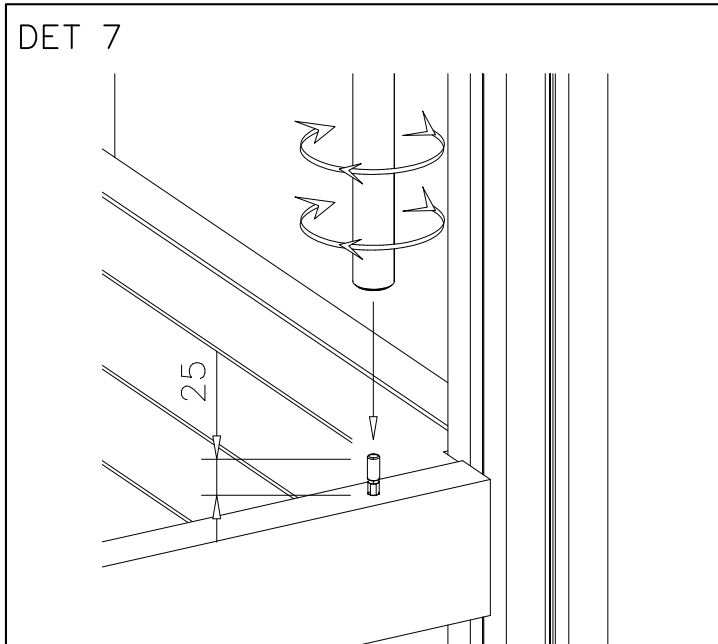


DET 5

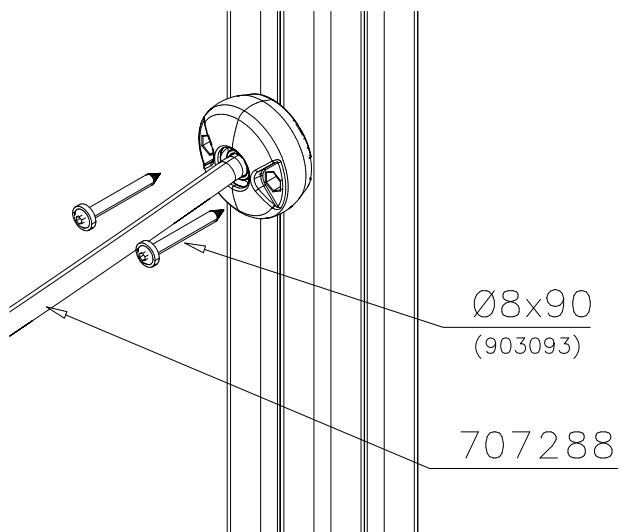


DET 6





DET 13



DET 14

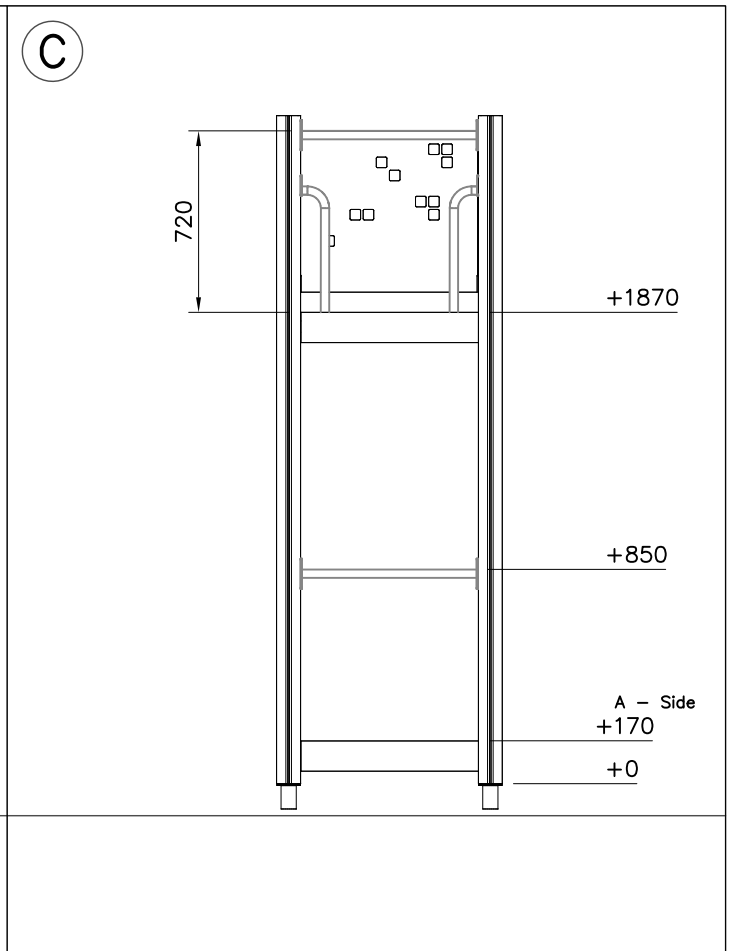
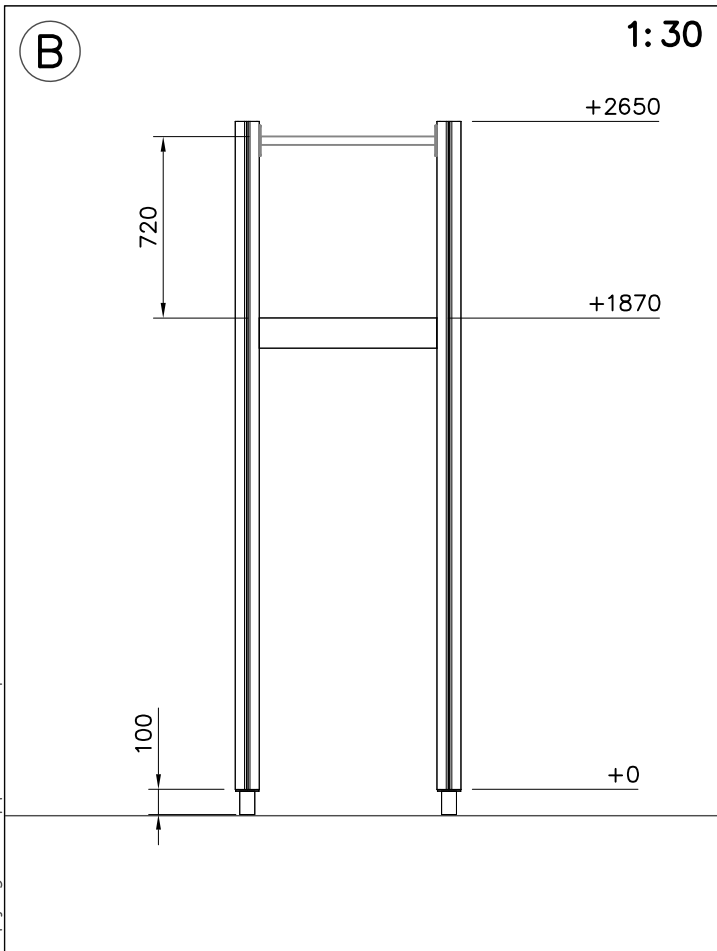
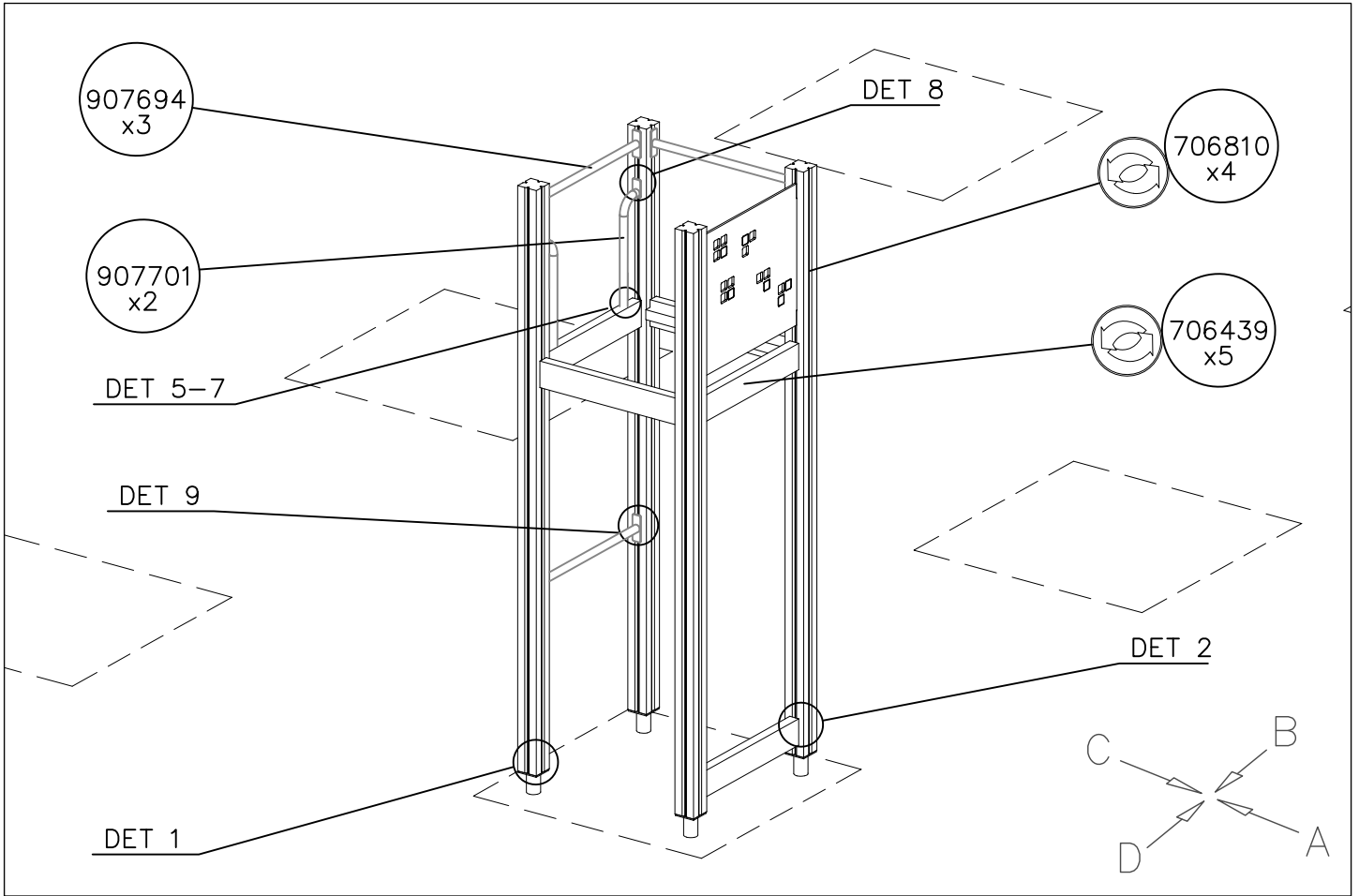
DET 15

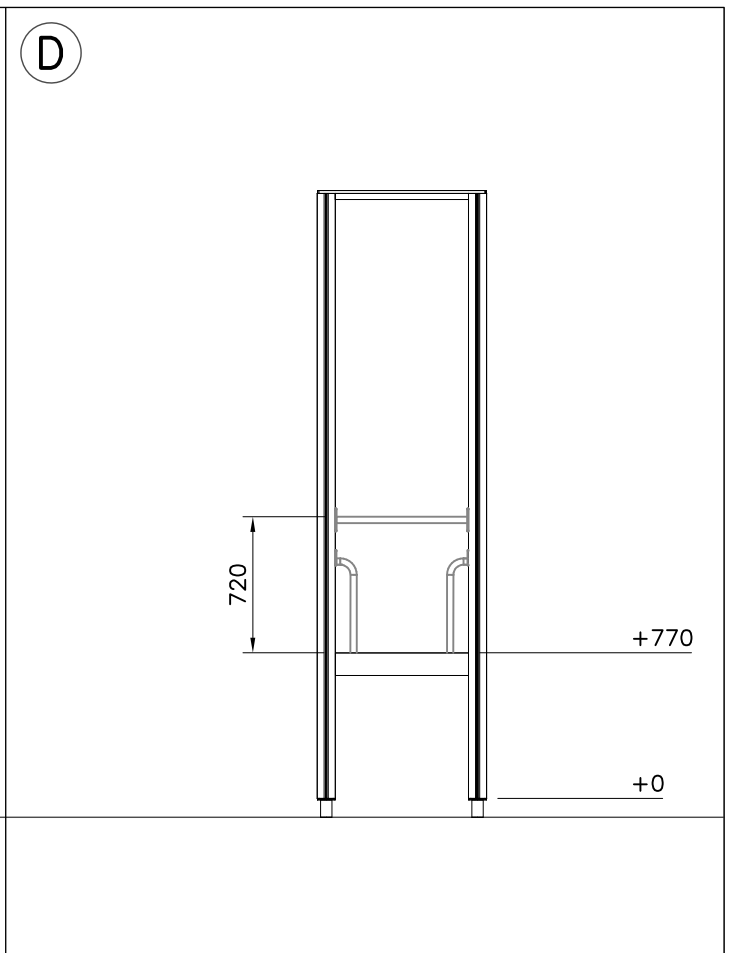
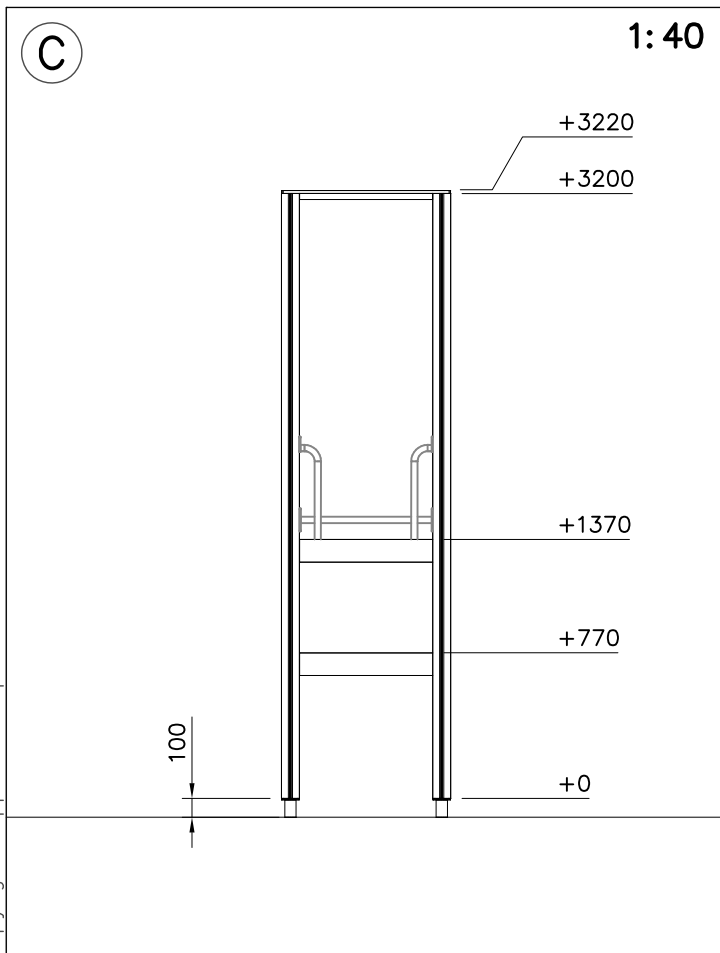
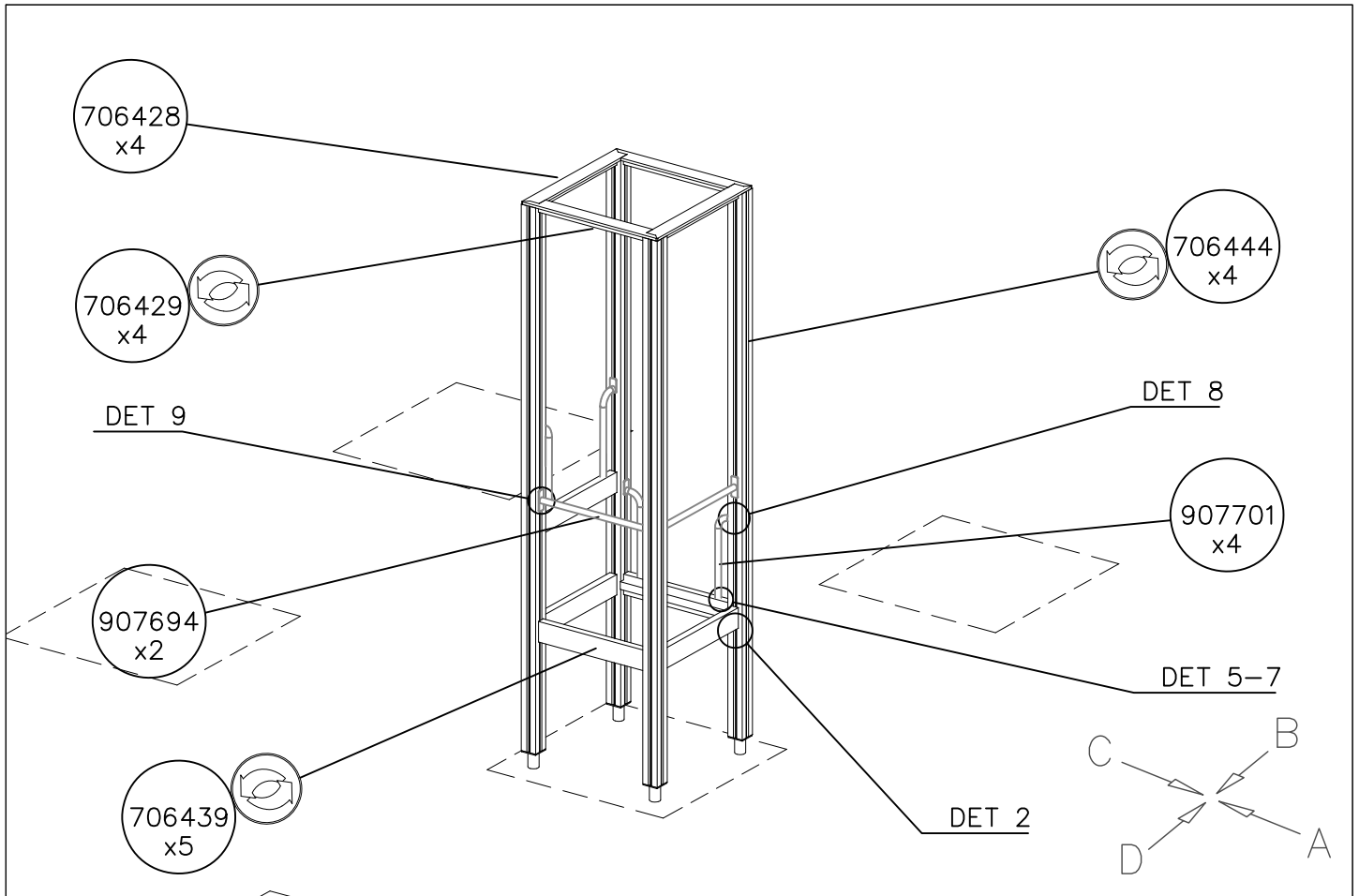
DET 16

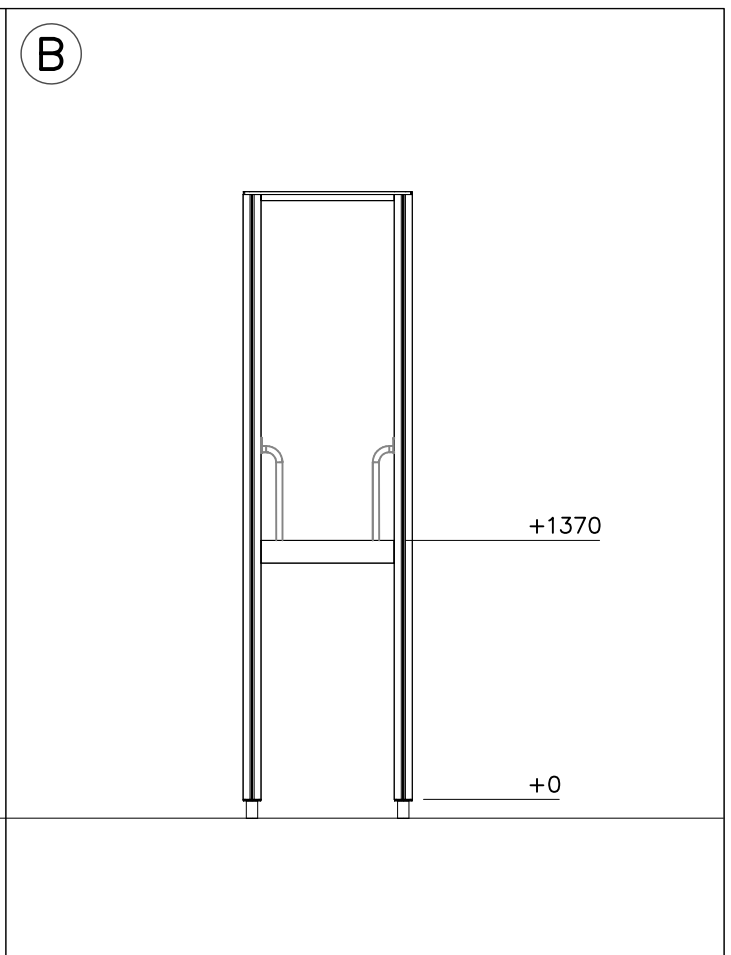
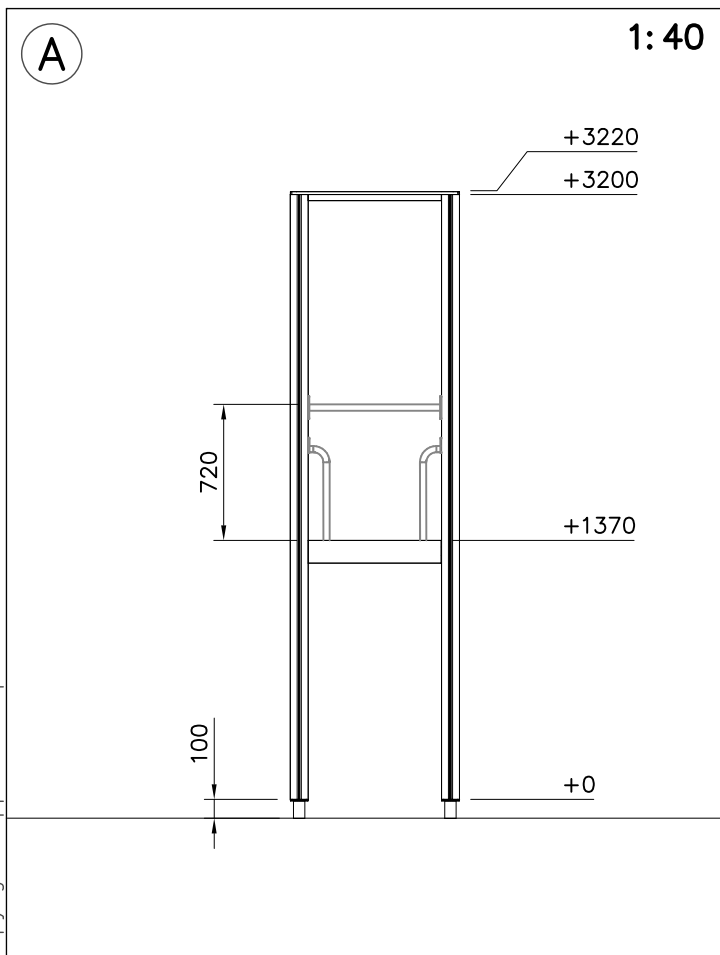
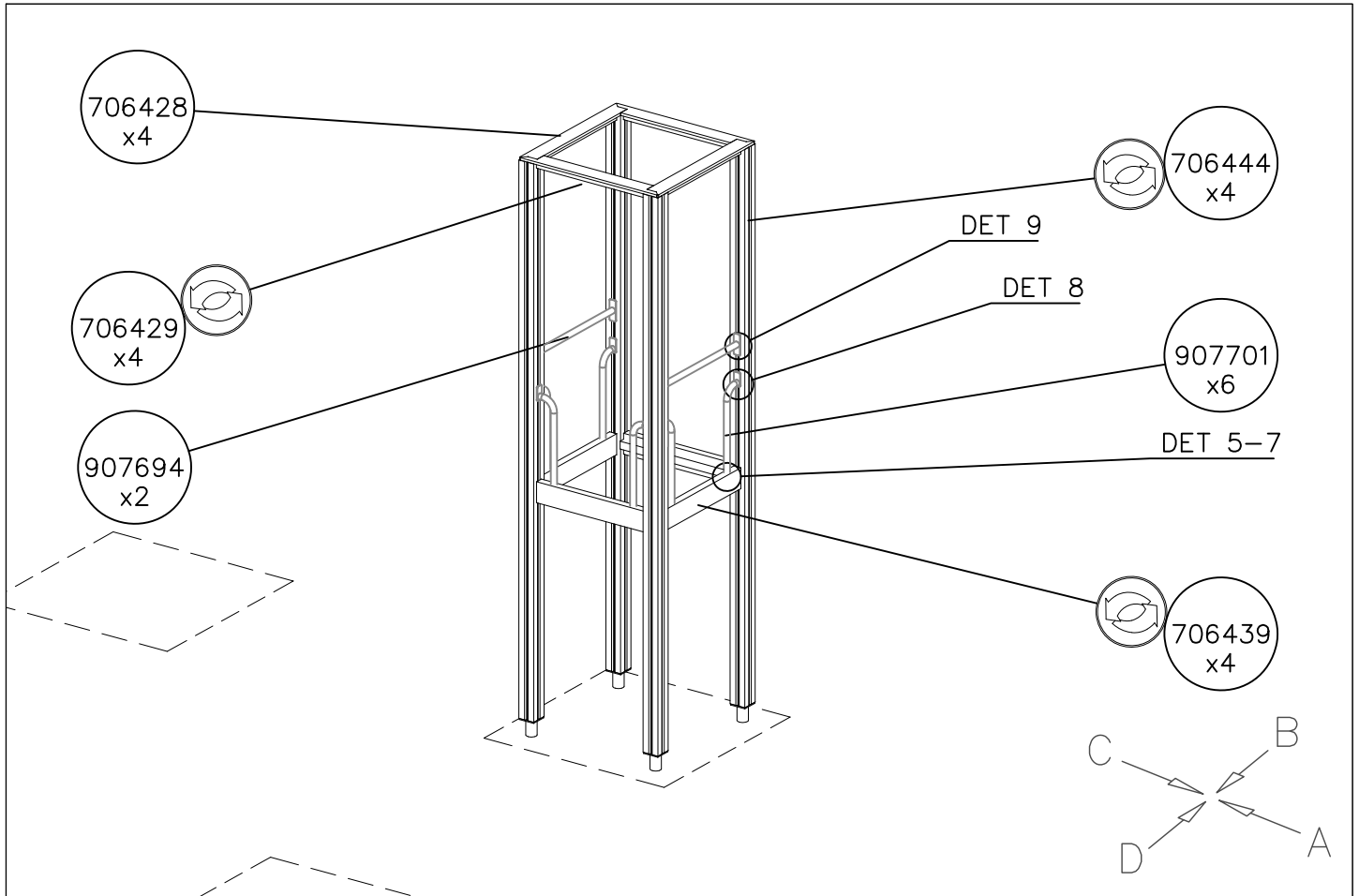
DET 17

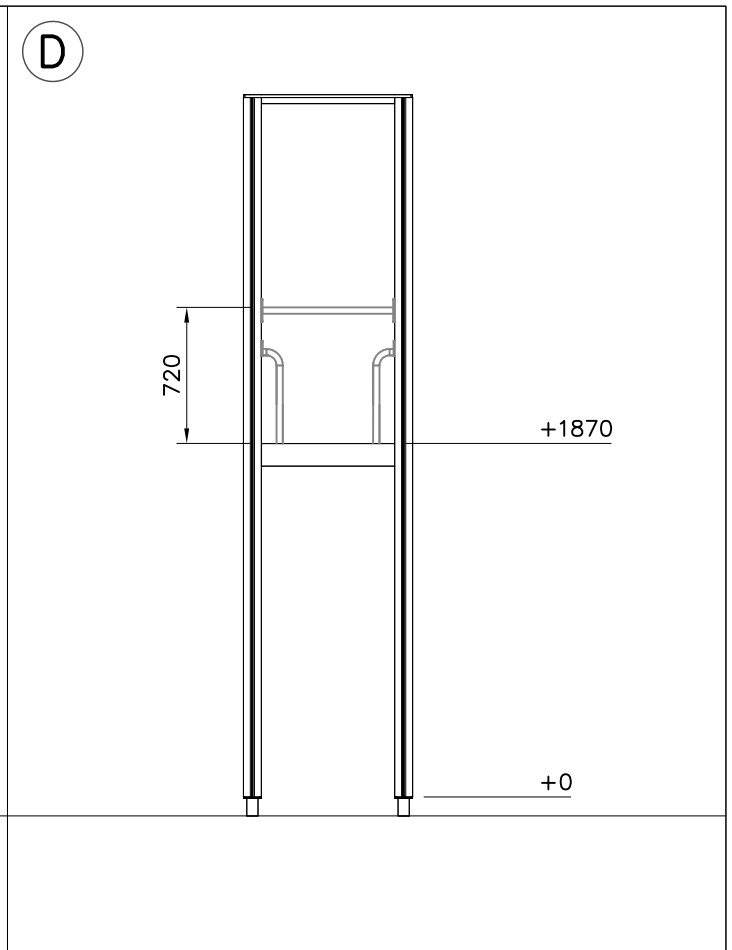
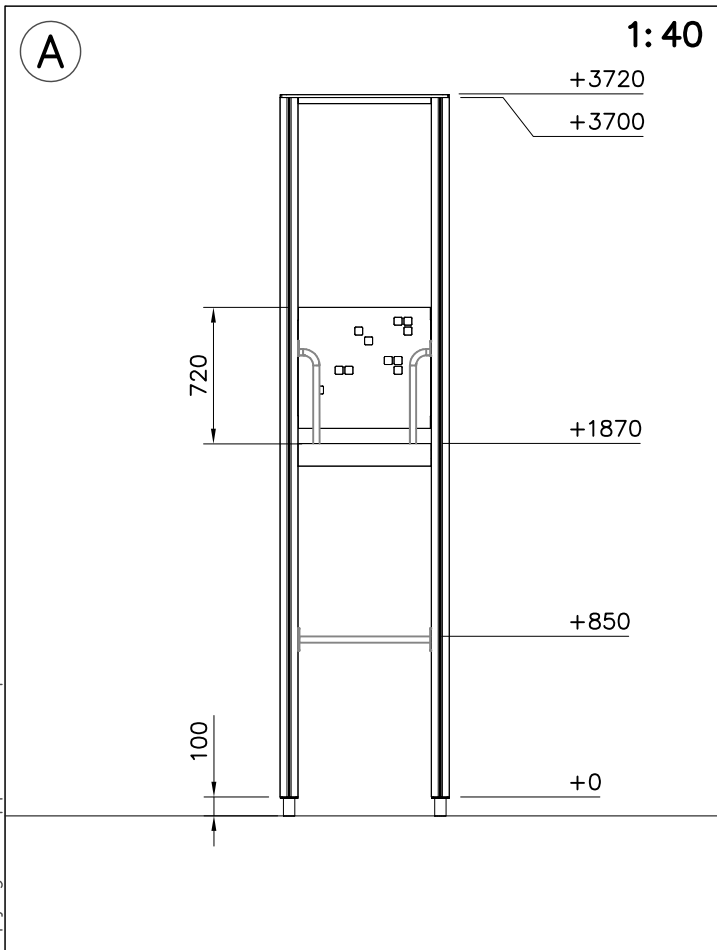
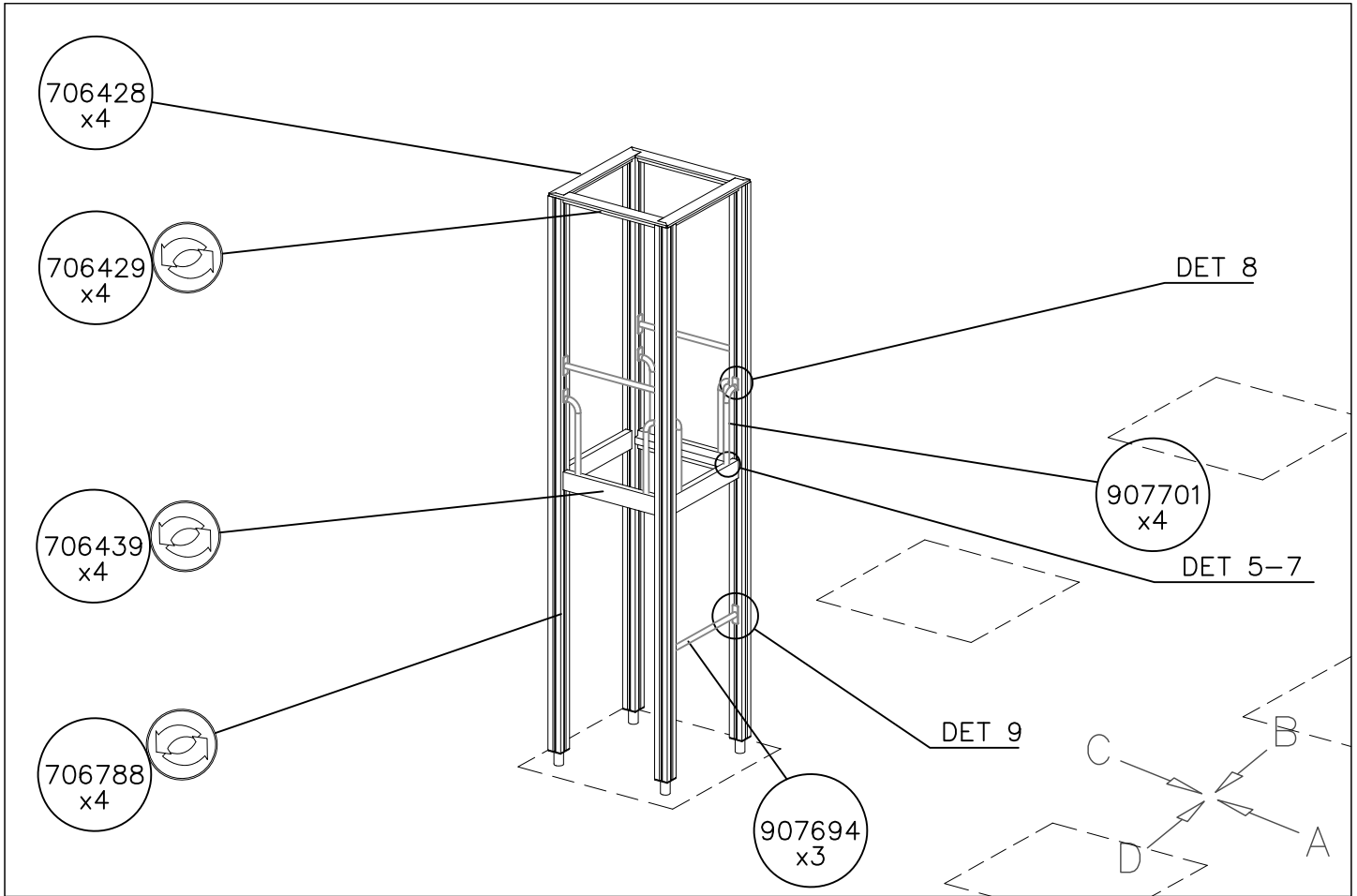
DET 18

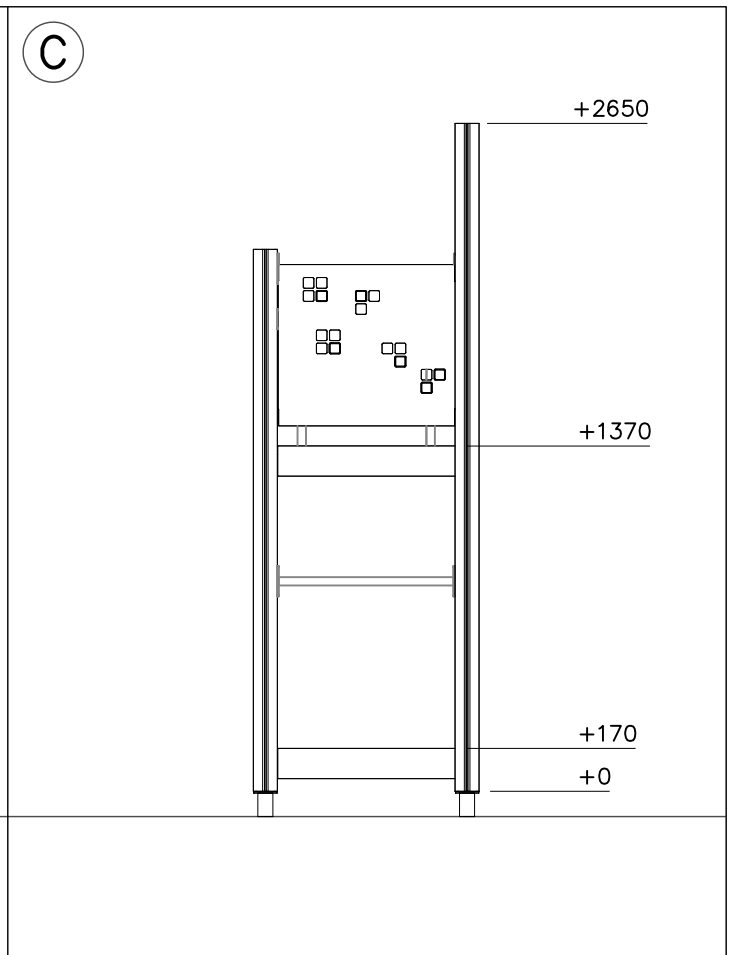
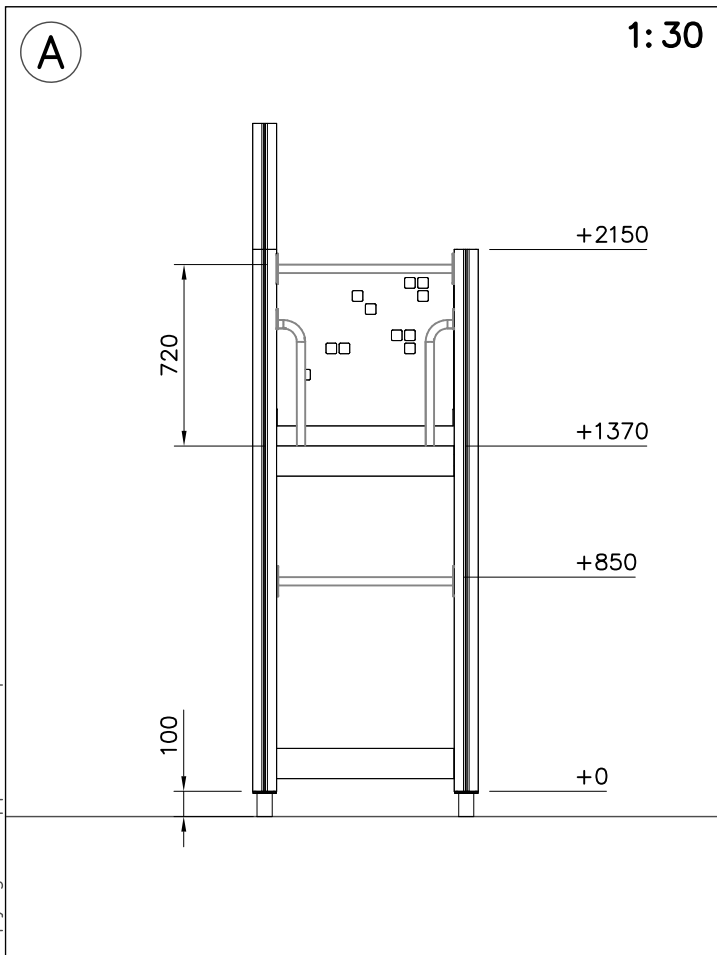
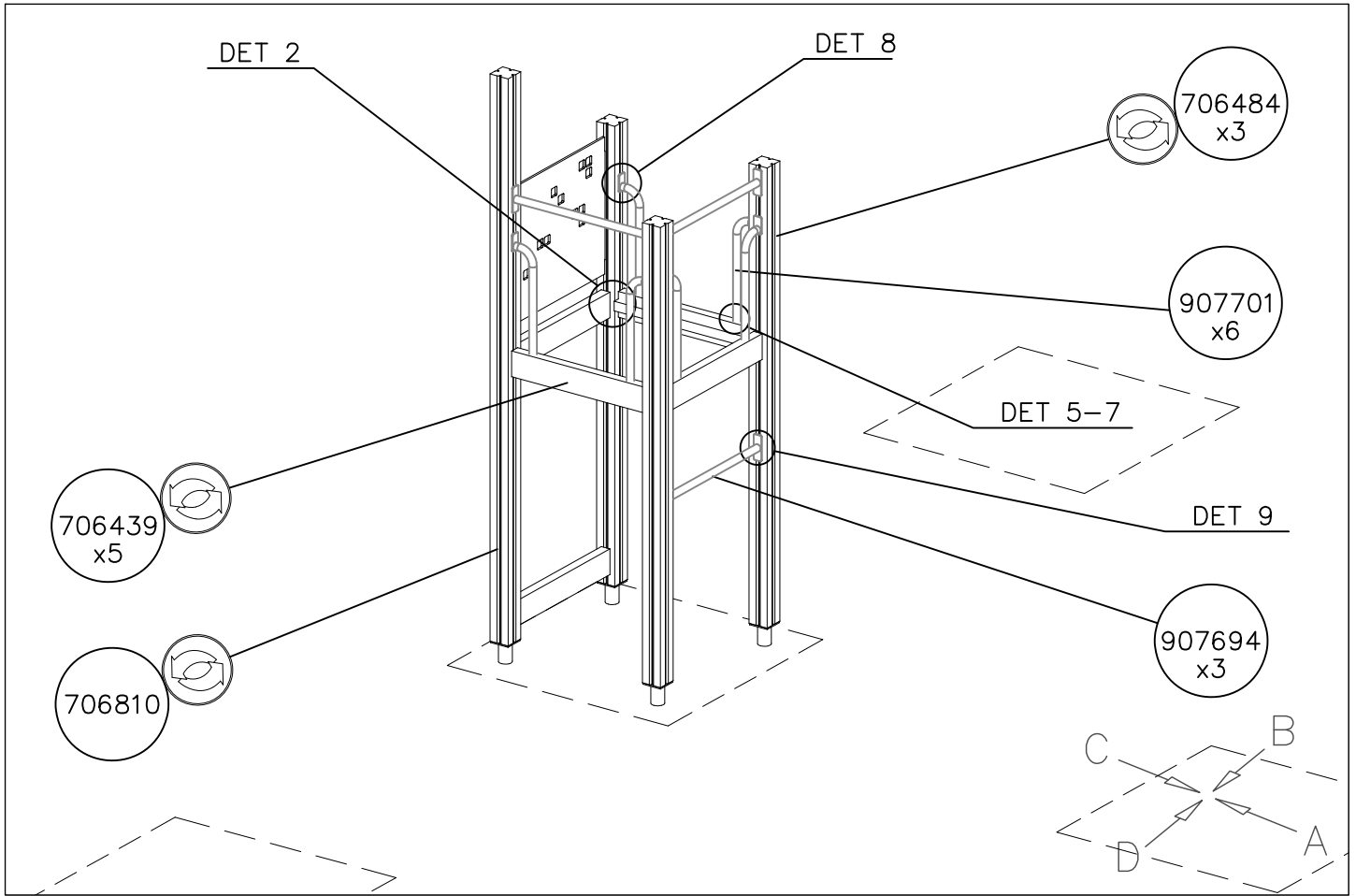


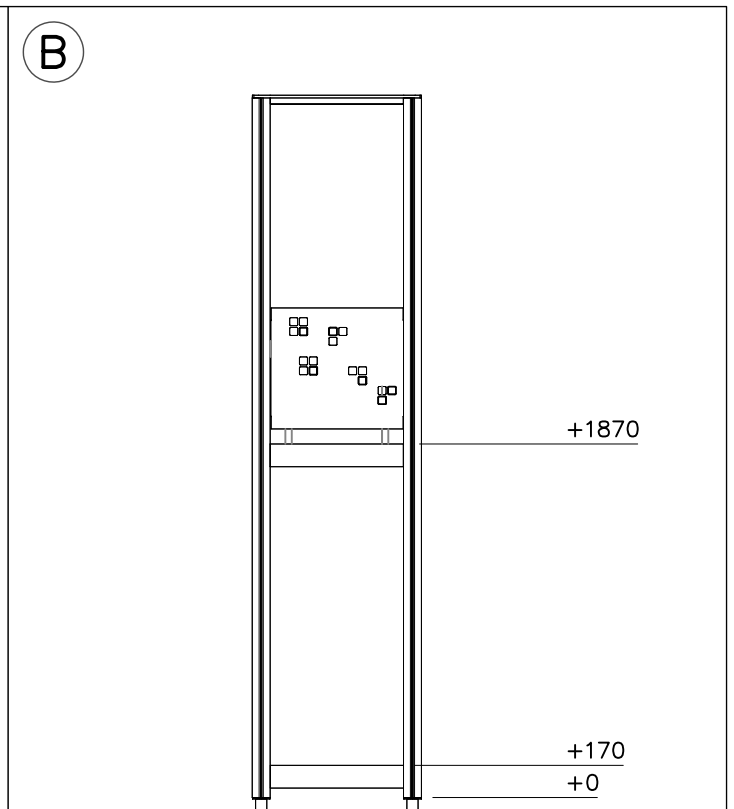
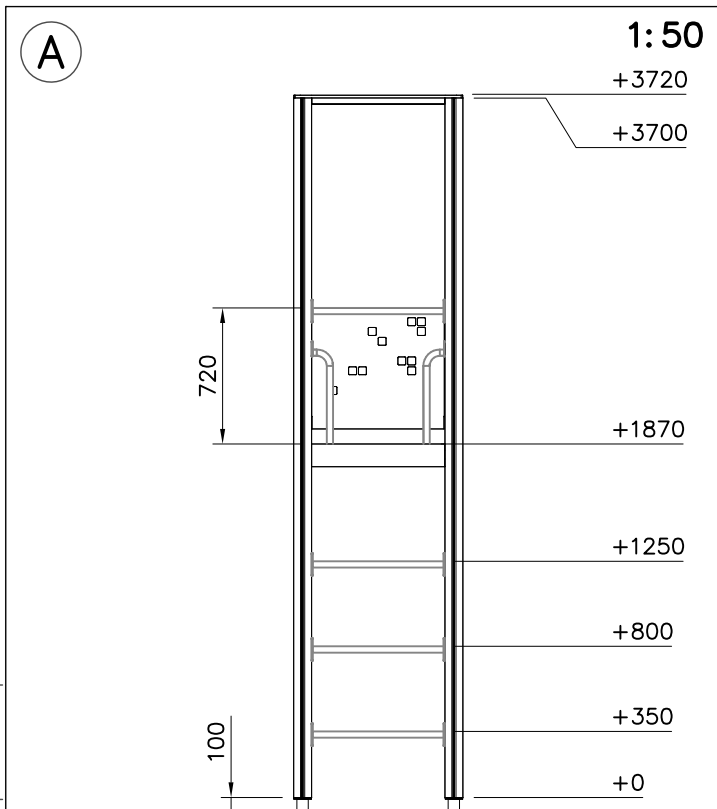
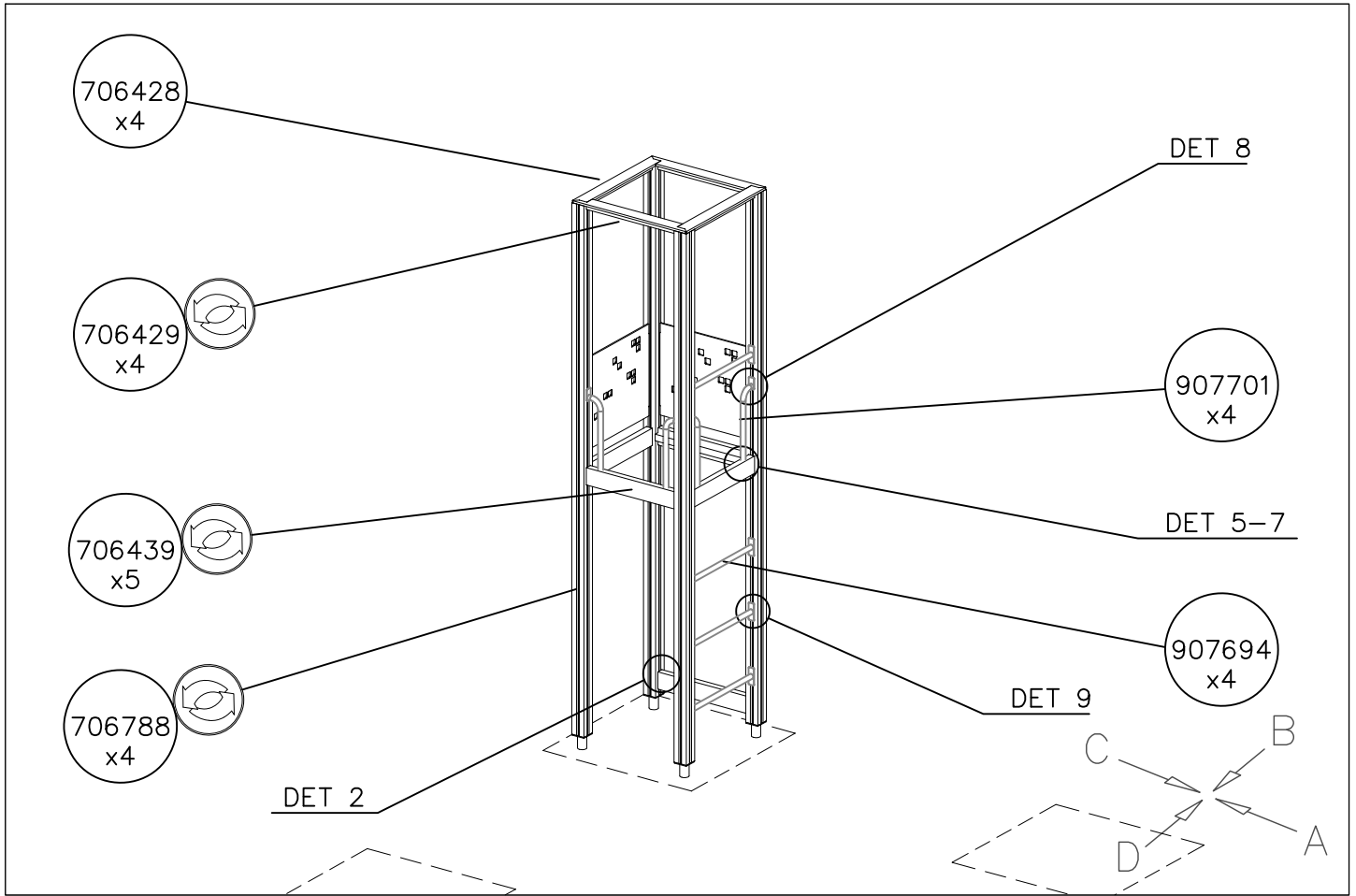


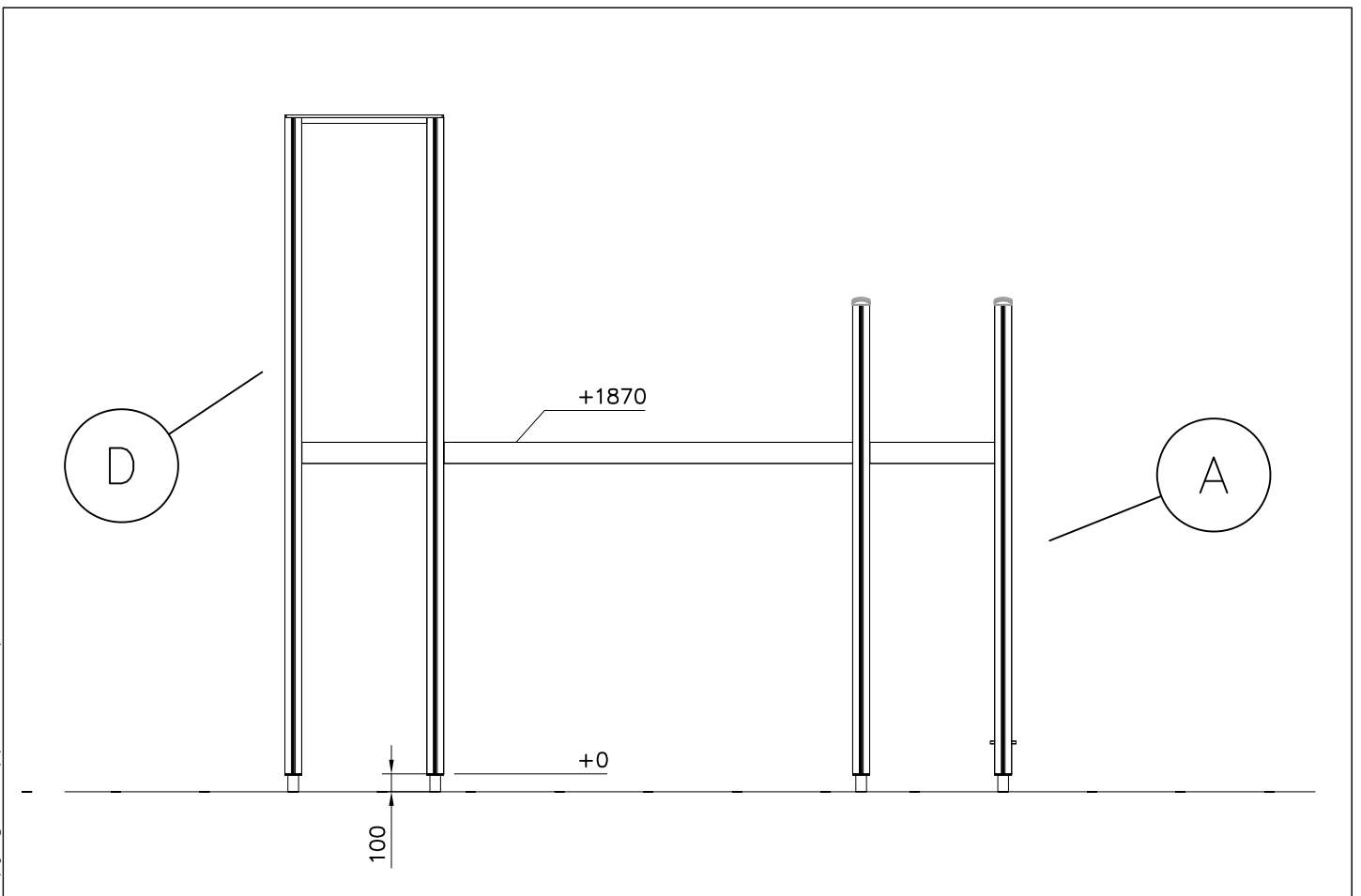
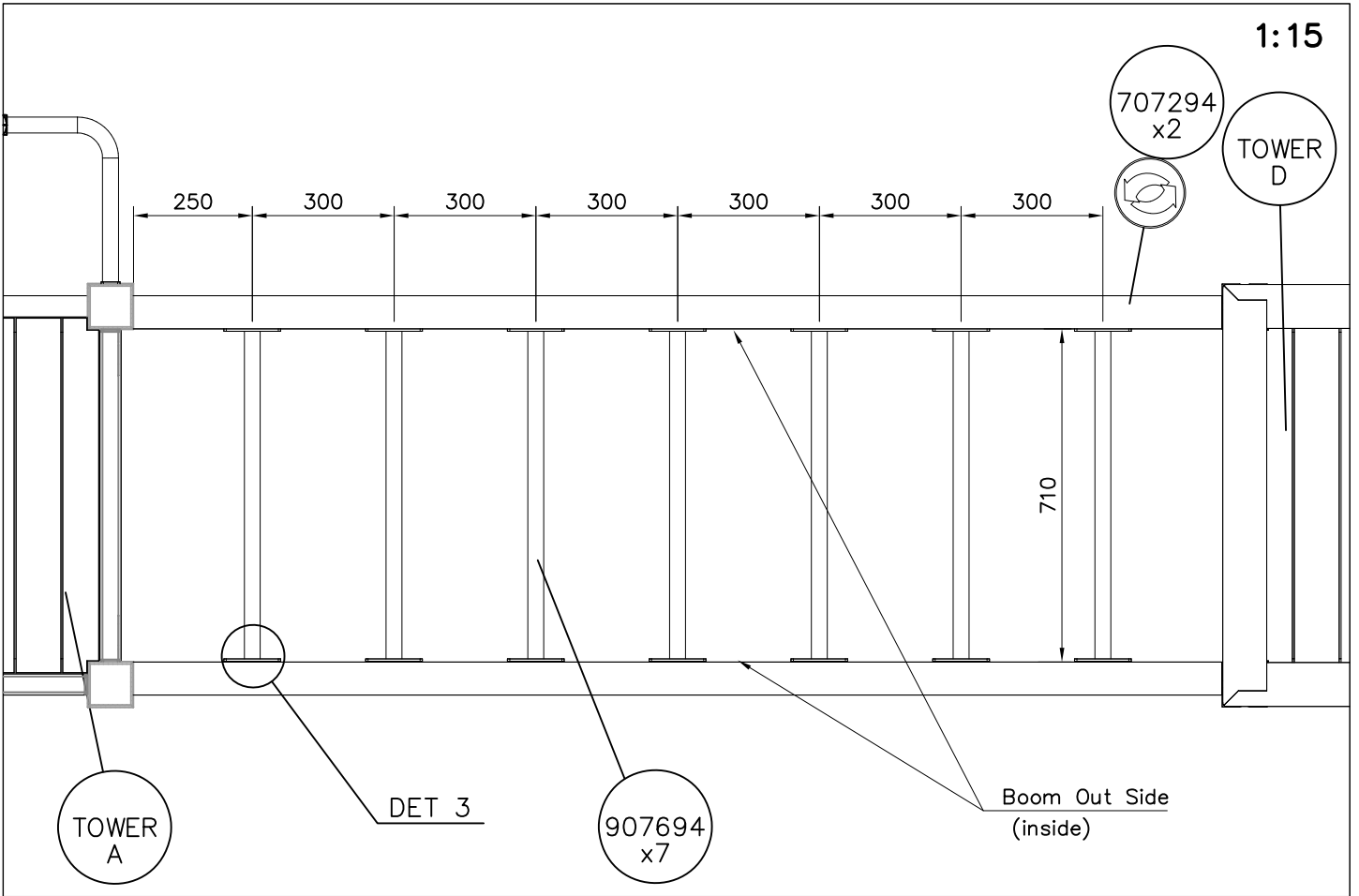


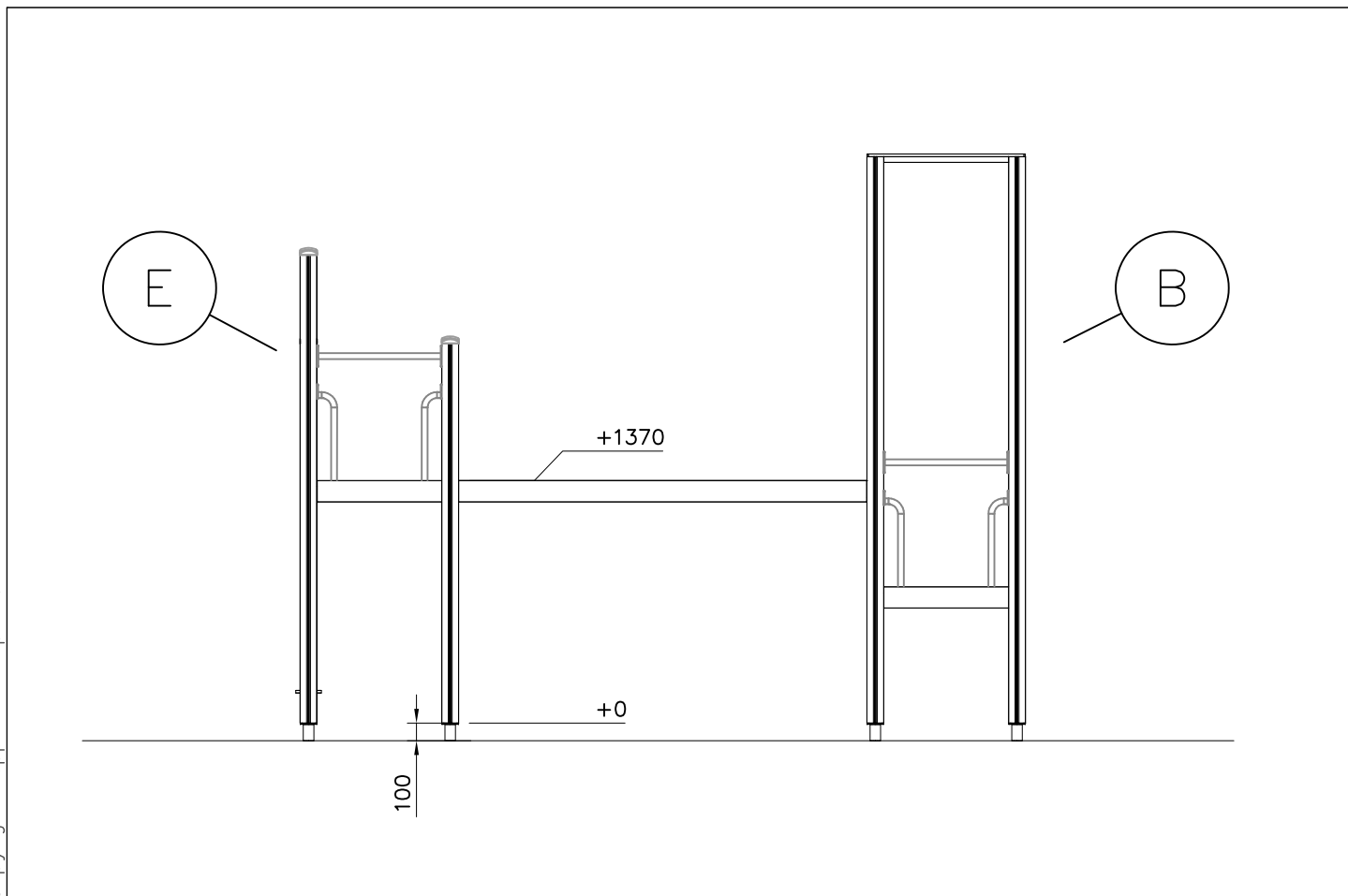
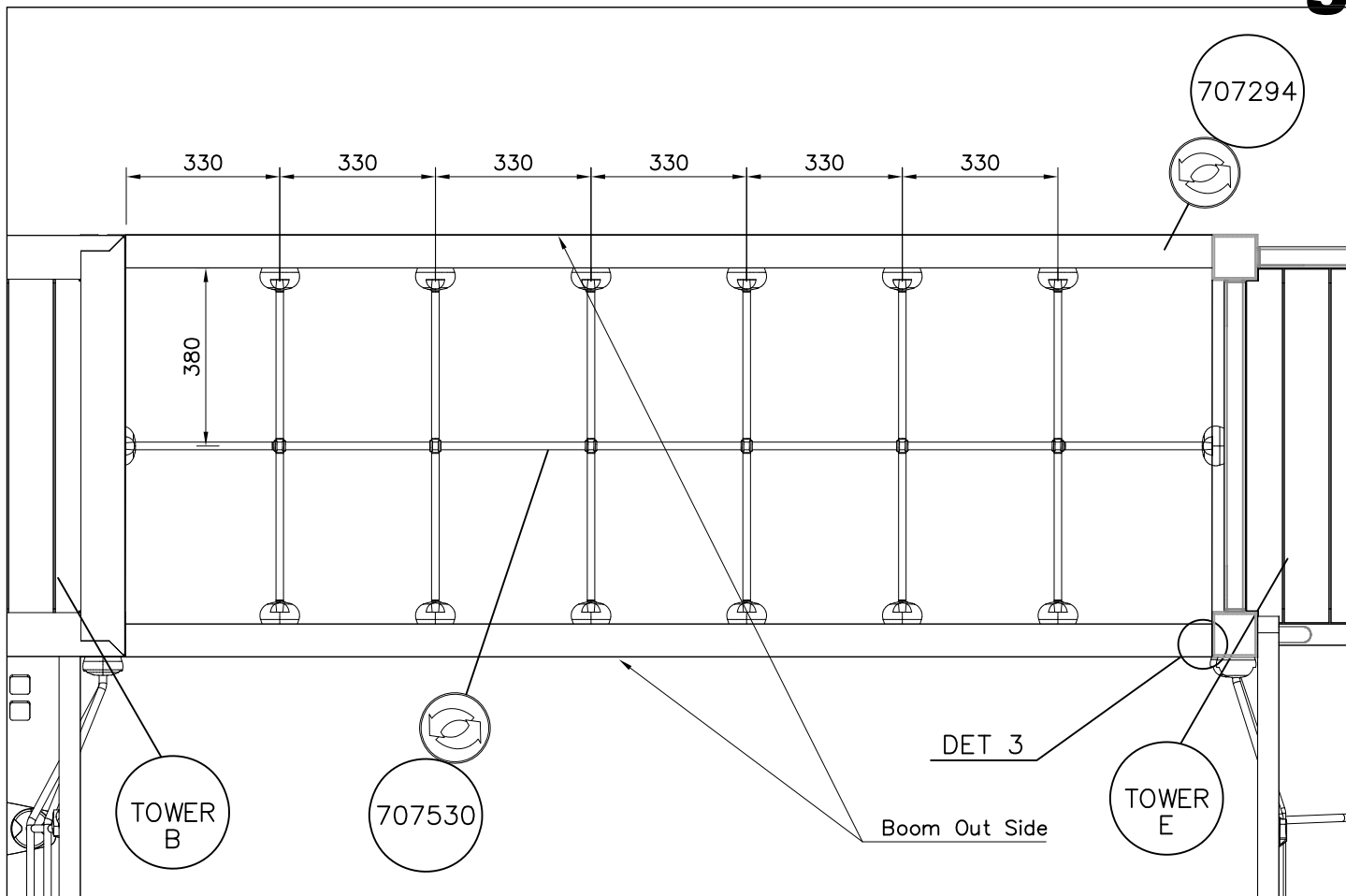






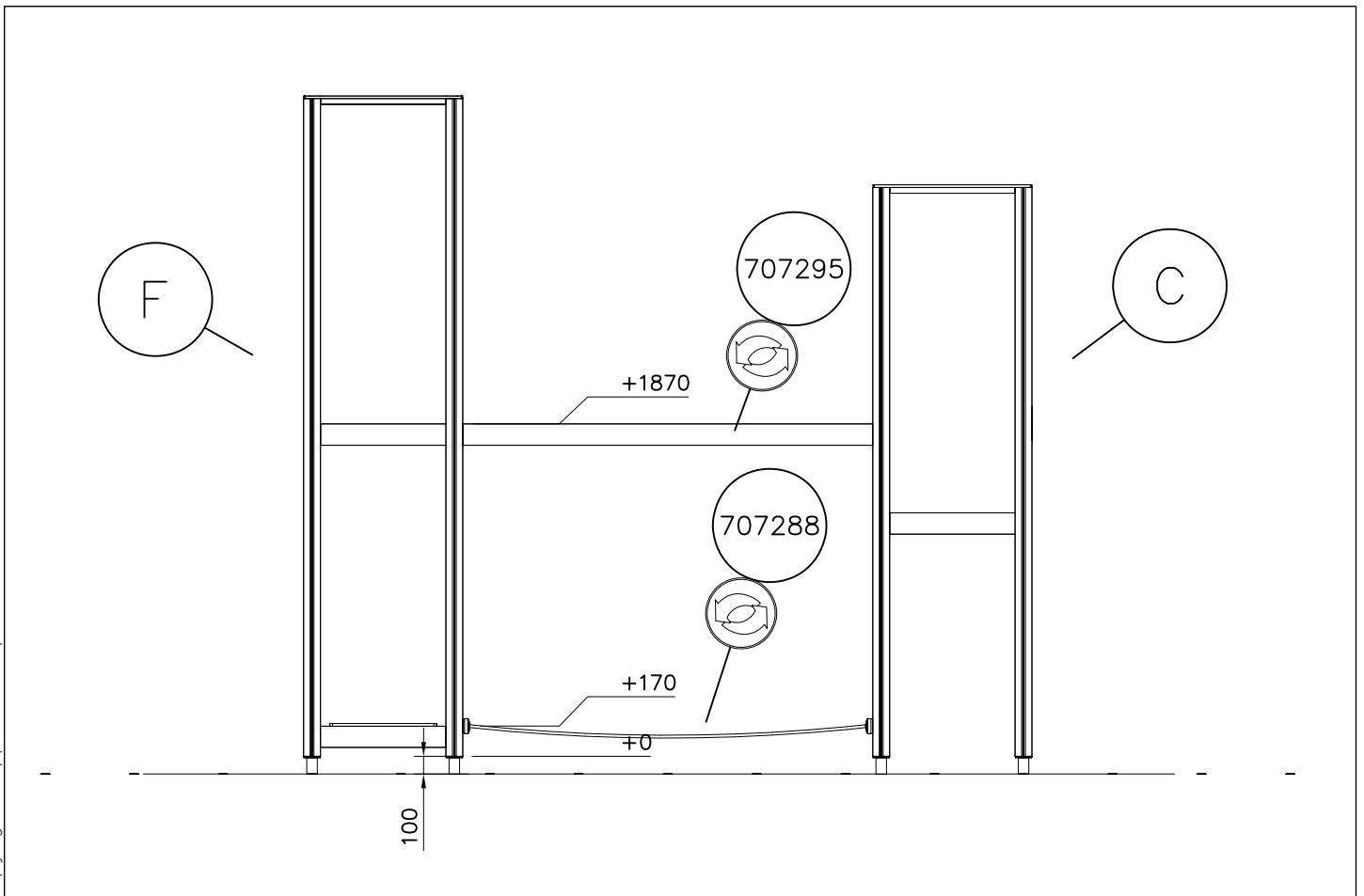
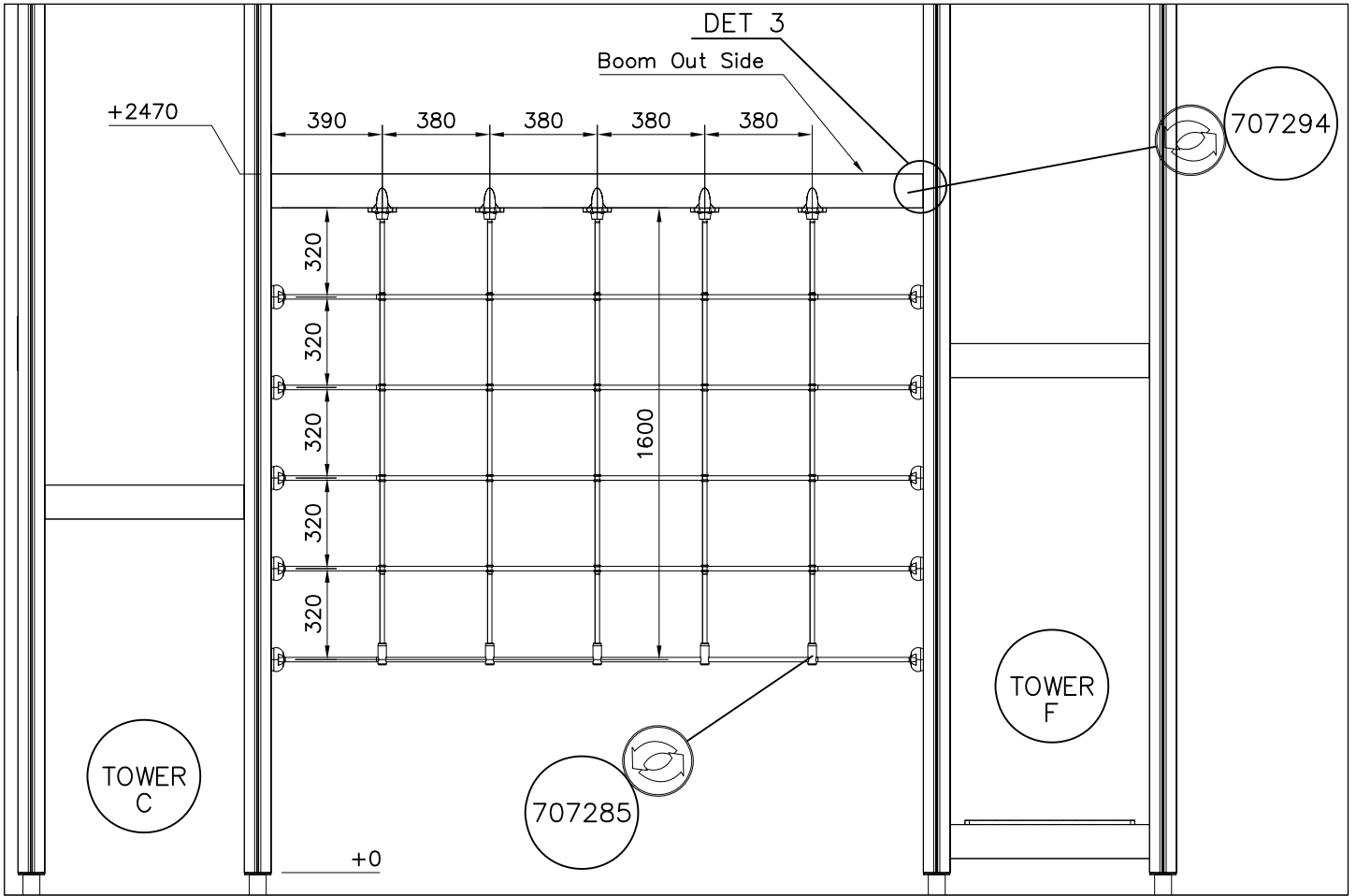


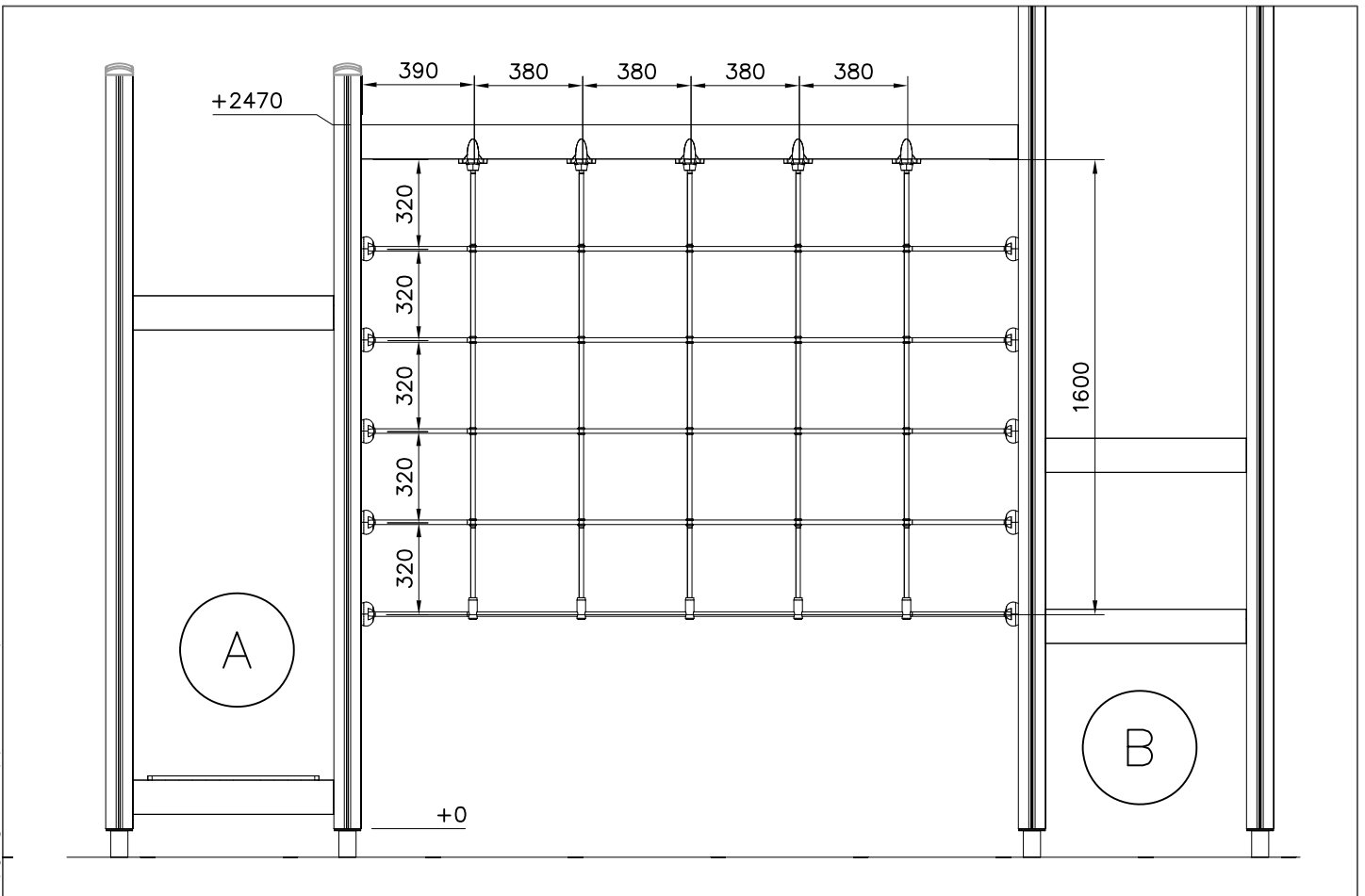
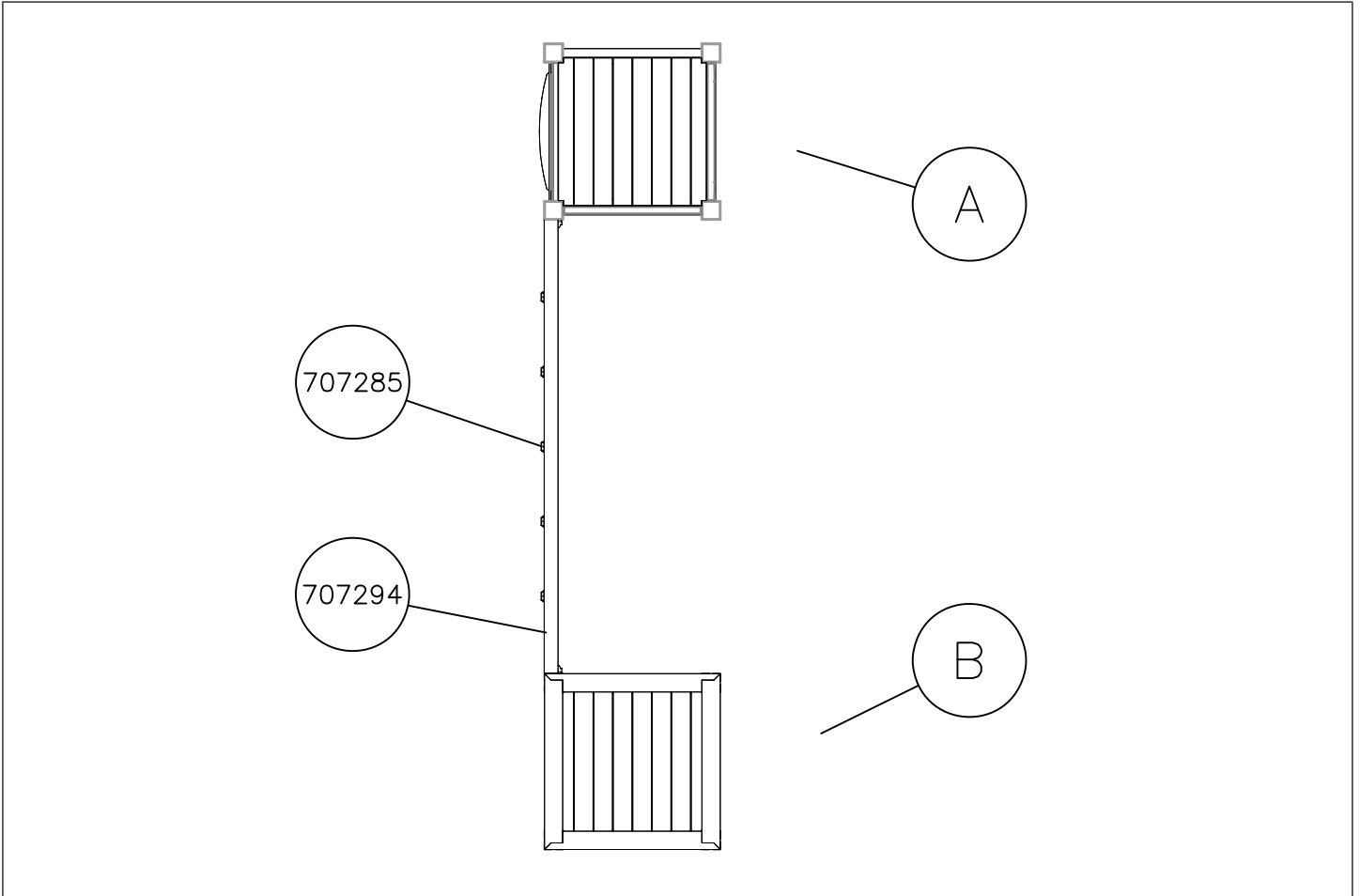




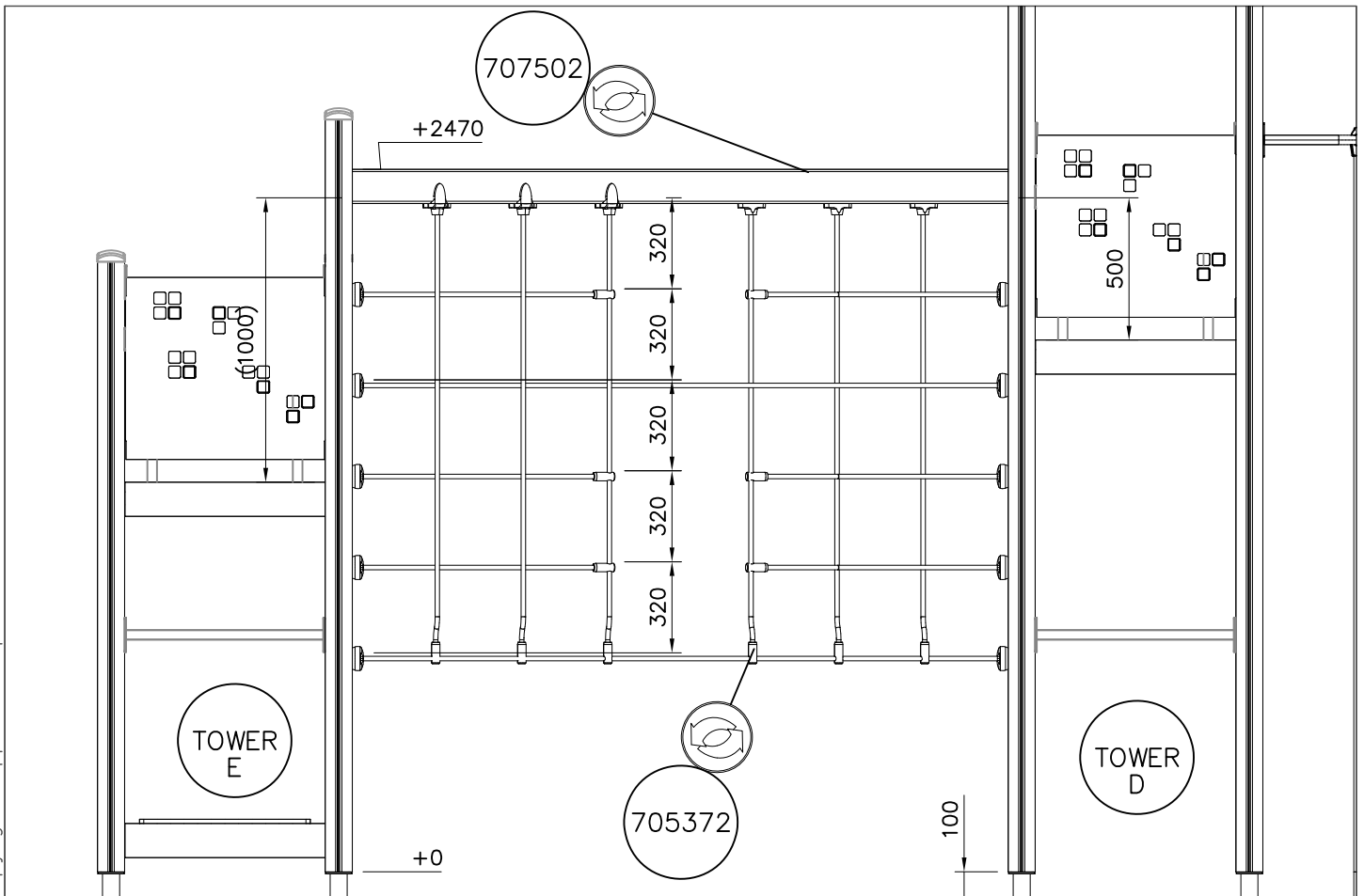
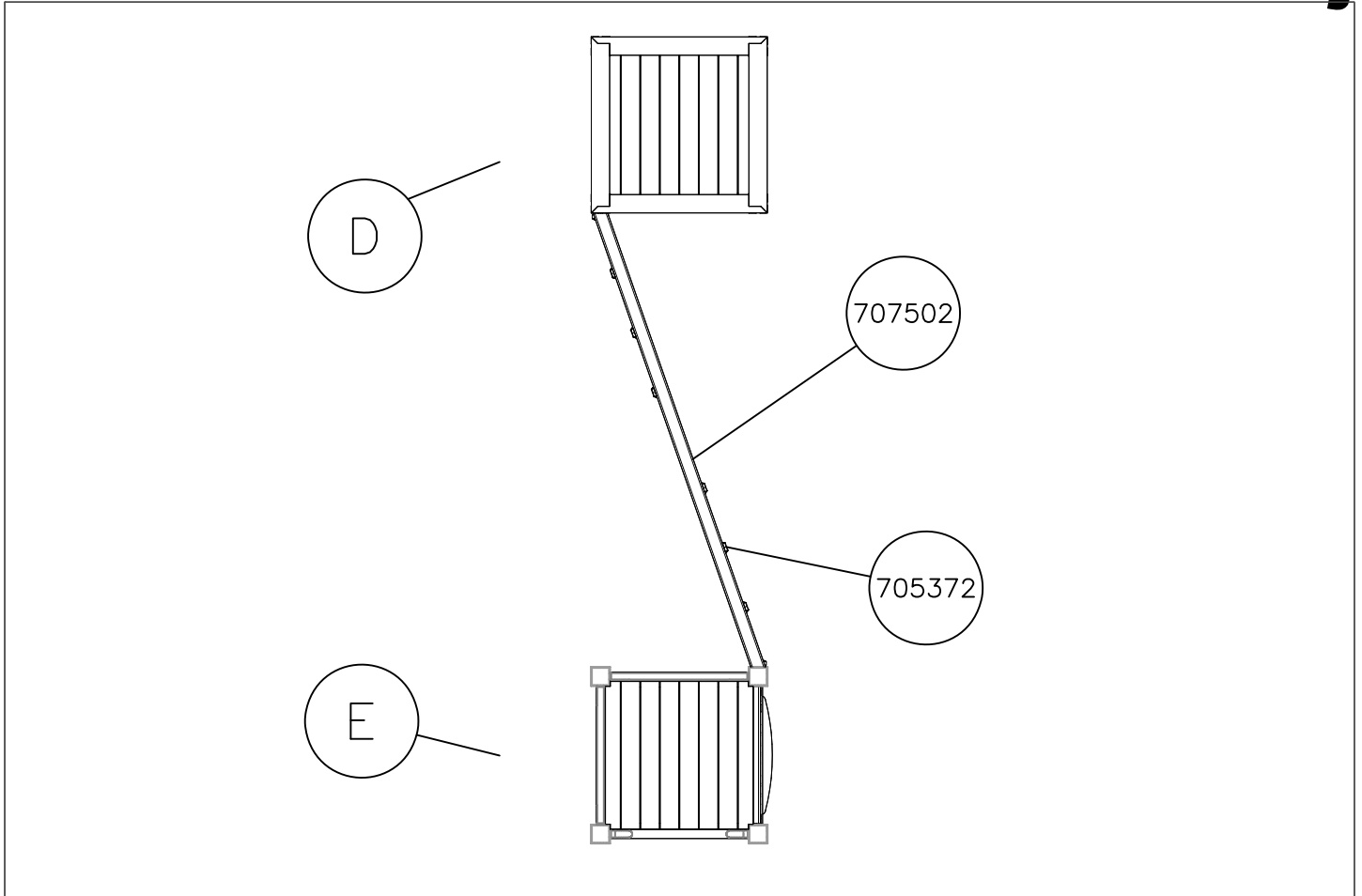


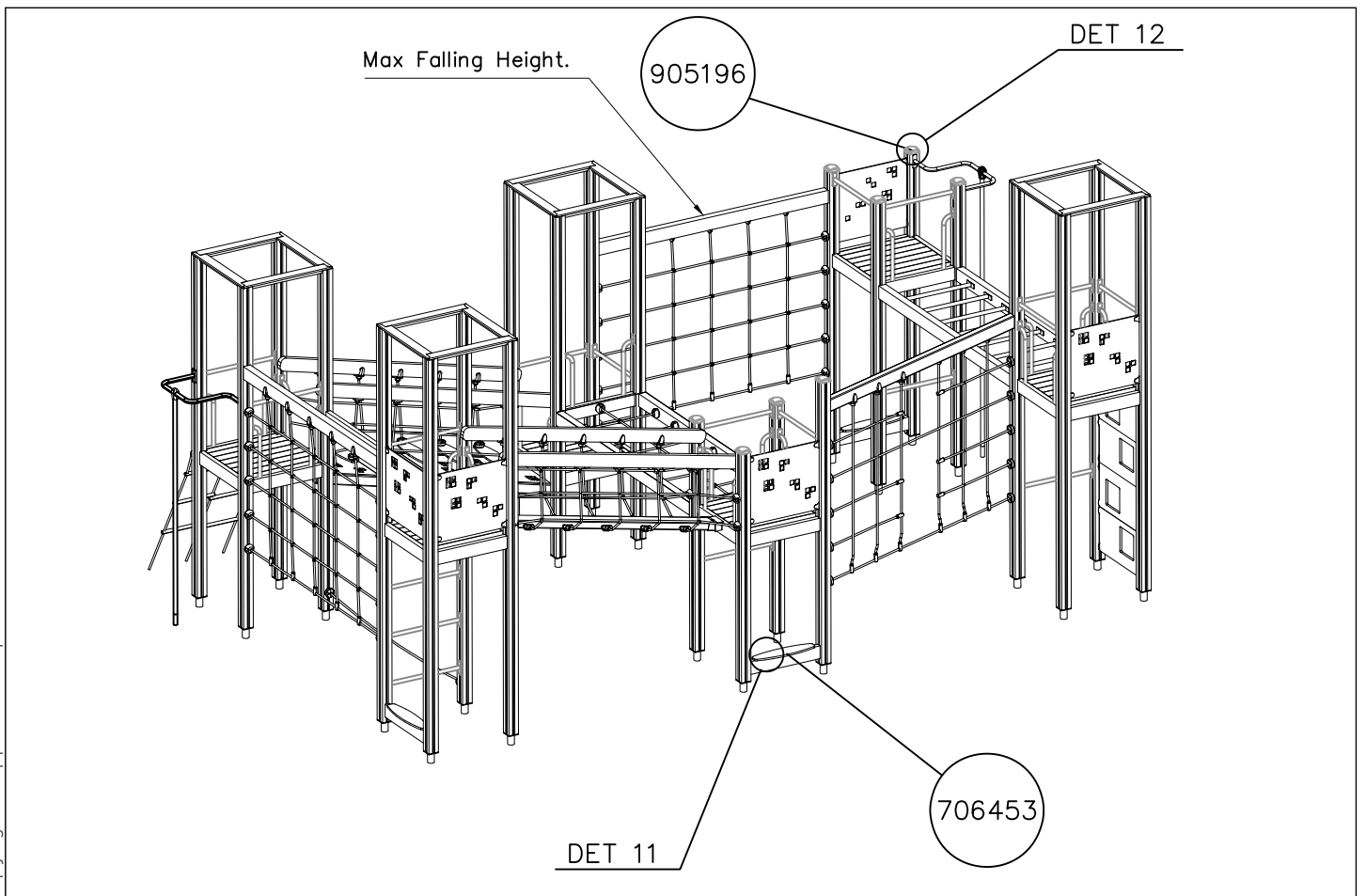
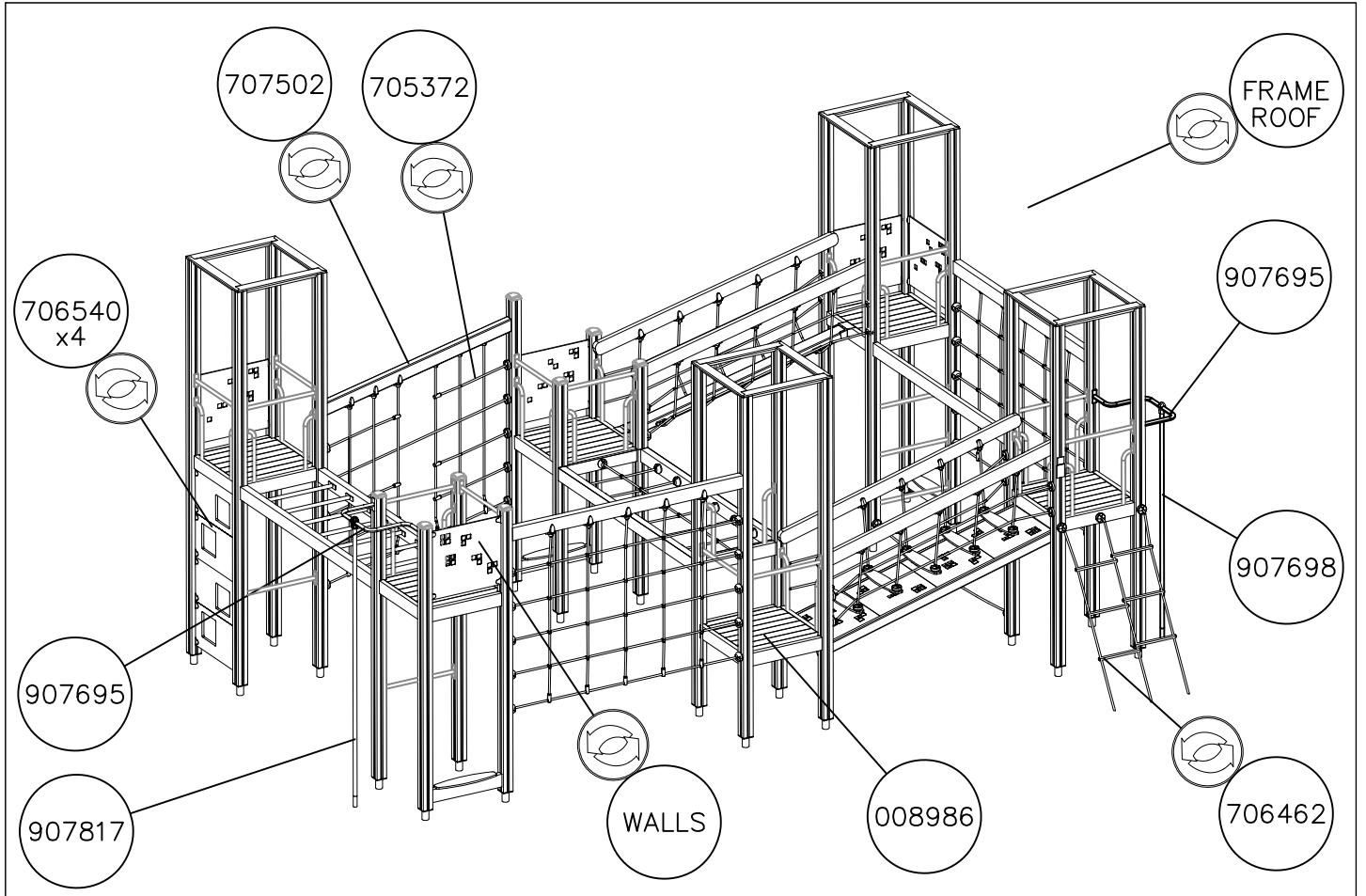
DATE: 10.6.2020

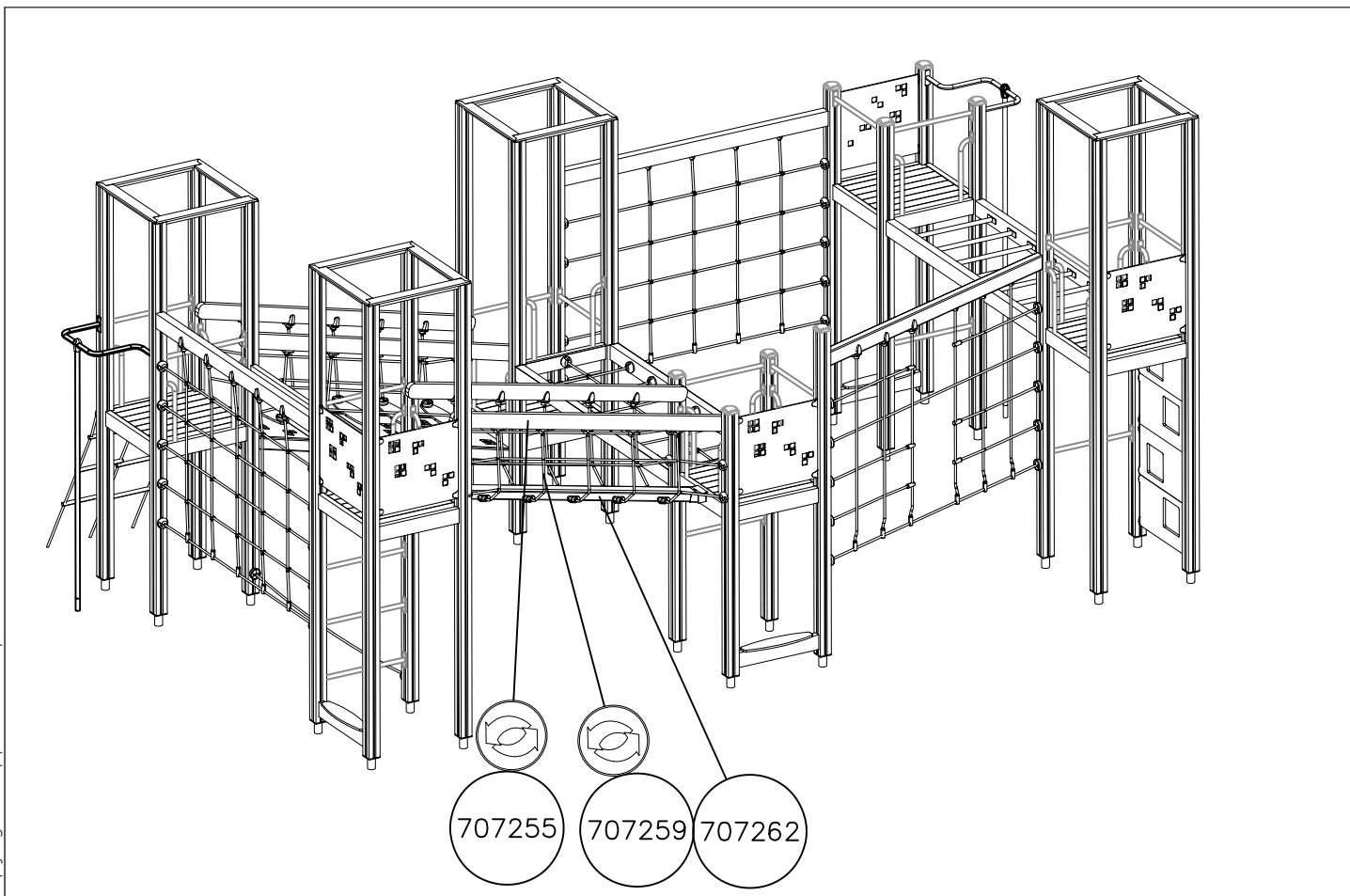
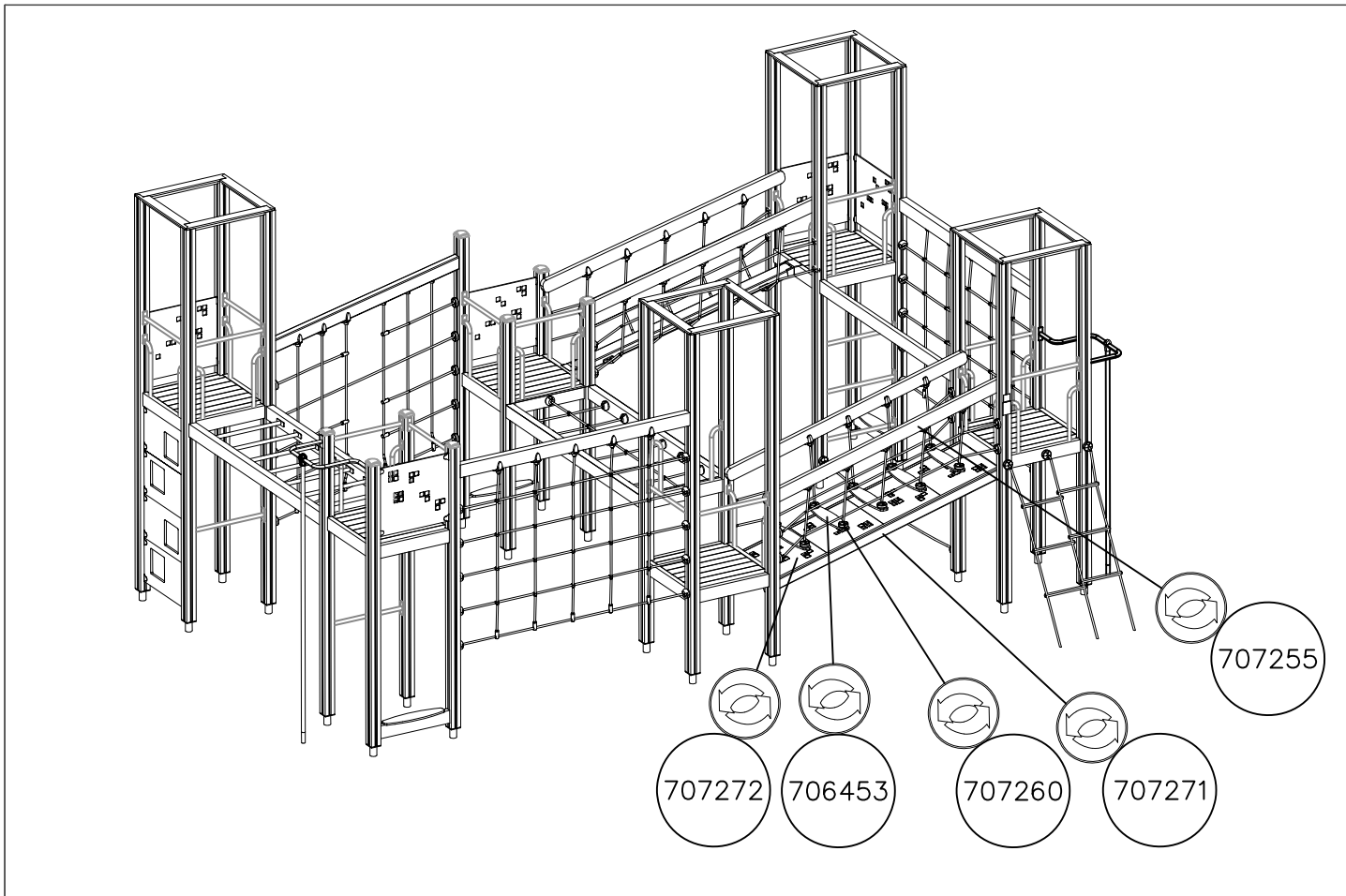




DATE: 10.6.2020









**LAPPSET®**  
**BETON FOUNDATION**

**FOOT**

DATE: 27.10.2015

**1(1)**

|  |     |  |     |
|--|-----|--|-----|
| ② 905104   | PCS |  | PCS |
|  | 4   |  |     |
| <br>M10 | PCS |  | PCS |
|  |     |  |     |



905104


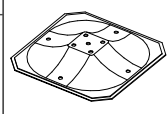
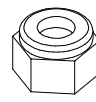
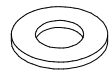
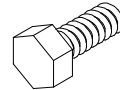
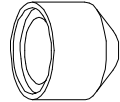

# LAPPSET® DEEP FOUNDATION

# FOOT

DATE: 15.5.2018

1(1)



|             |   |     |   |   |     |
|-------------|---|-----|---|---|-----|
| ①           | 909511  | PCS | ② | 909519  | PCS |
|             |    | 1   |   |  | 1   |
|             | 90x90x650   |     |   | 50x380x380  |     |
| ③           | 909637  | PCS | ④ | 909638  | PCS |
|             |    | 4   |   |  | 8   |
|             | M10   |     |   | Ø20/10.5  |     |
| ⑤           | 909639  | PCS | ⑥ | 905104  | PCS |
|             |    | 4   |   |  | 4   |
|             | M10x25  |     |   | M10   |     |
| OPTION FOOT |   |     |   |   |     |
| ①           | 911155  | PCS |   |   | PCS |
|             |  | 1   |   |   |     |
|             | 90x90x650   |     |   |   |     |



# LAPPSET

## DEEP FOUNDATION

# SLIDE WOOD

DATE: 22.5.2015

1(1)





SLIDE OPTIONS

|   |   |  |
|---|---|--|
| <p>706450<br/>+1470</p>  | <p>706450-602 DARK BROWN<br/>                 706450-603 LIGHT BROWN<br/>                 706450-604 LIGHT GRAY</p> |  |
| <p>706452<br/>+870</p>   | <p>706452-602 DARK BROWN<br/>                 706452-603 LIGHT BROWN<br/>                 706452-604 LIGHT GRAY</p> |  |

WALL OPTIONS

|   |  |   |
|---|--|---|
| <p>706371</p>  | <p>706371-701 BLUE<br/>                 706371-702 YELLOW<br/>                 706371-703 LIME<br/>                 706371-704 DRARK GRAY<br/>                 706371-705 LIGHT GRAY<br/>                 706371-706 RED</p> | <p>706371-707 GREEN<br/>                 706371-708 FUXIA</p> |
|---|--|---|

|  |     |   |     |   |     |   |     |  |     |   |     |
|--|-----|---|-----|---|-----|---|-----|--|-----|---|-----|
| ○ SLIDE  | PCS | ○ SLIDE   | PCS | ○ 706371  | PCS | ○ 706505  | PCS | ○ 901868   | PCS | ① 903093  | PCS |
|  | 1   |  | 1   |  | 2   |  | 2   |  | 1   |  | 2   |
| +1470  |     | +870  |     | 15x345x750  |     | 35x70x730   |     | Ø34x598  |     | Ø8x90   |     |
| ② 909876   | PCS | ③ 980100  | PCS | ④ 980128  | PCS | ⑤ 999561  | PCS |  |     |   |     |
|  | 2   |  | 12  |  | 11  |  | 1   |  |     |   |     |
| M8x40  |     | Ø5x60   |     | Ø7x40   |     | 10g   |     |  |     |   |     |





# LAPPSET

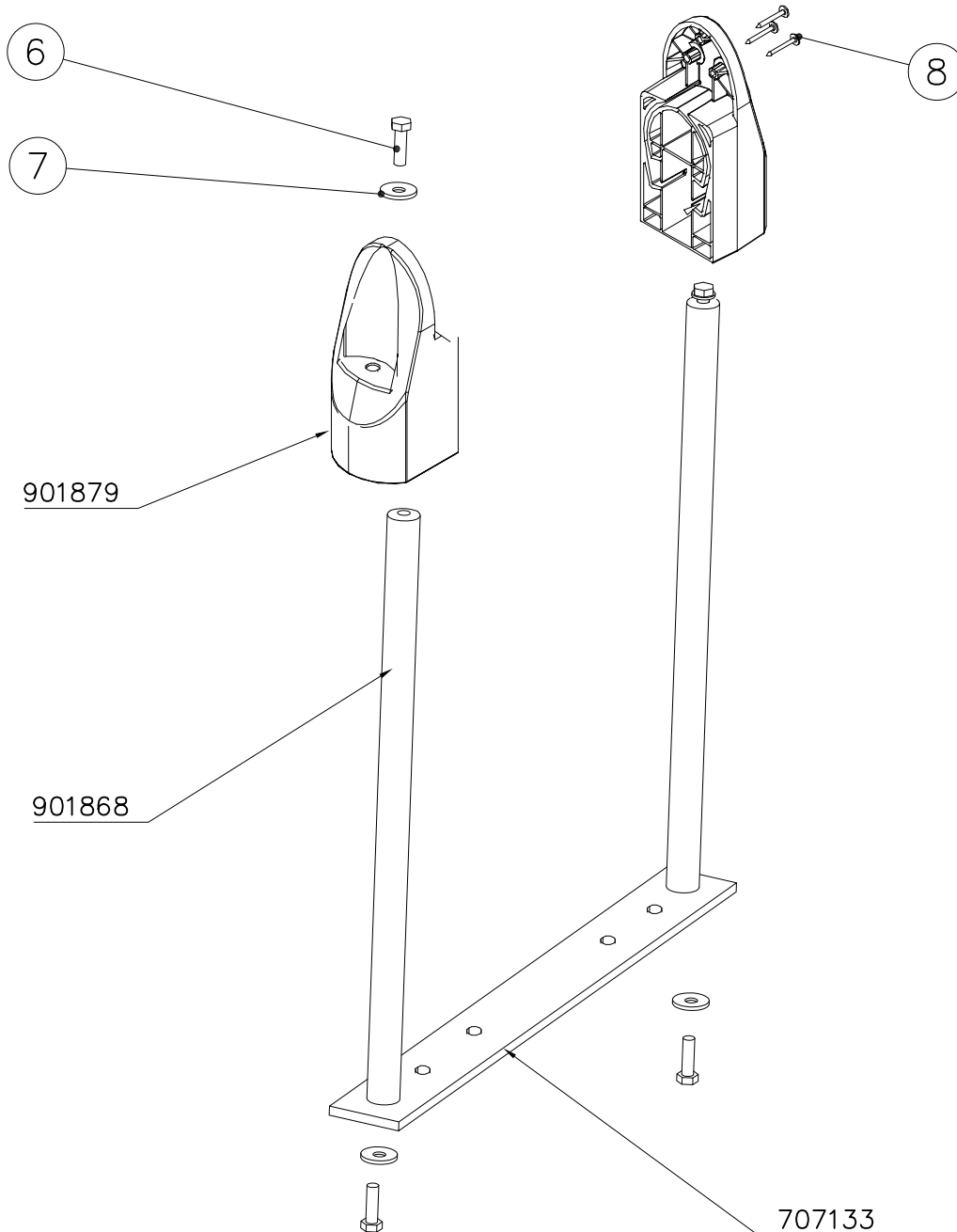
## DEEP FOUNDATION

# SLIDE WOOD

DATE: 3.11.2017

4(5)

|  |     |   |     |   |     |   |     |  |     |   |     |
|--|-----|---|-----|---|-----|---|-----|--|-----|---|-----|
| ○ 707133   | PCS | ○ 901868  | PCS | ○ 901879  | PCS | ⑥ 909210  | PCS | ⑦ 905051   | PCS | ⑧ 980128  | PCS |
|  | 1   |  | 2   |  | 2   |  | 4   |  | 4   |  | 6   |
| 10x80x745  |     | Ø30x598   |     |   |     | M8x40   |     | Ø24/8.4  |     | Ø7x40   |     |



DET 6



Insert sheet metal IN to the plastic cover.

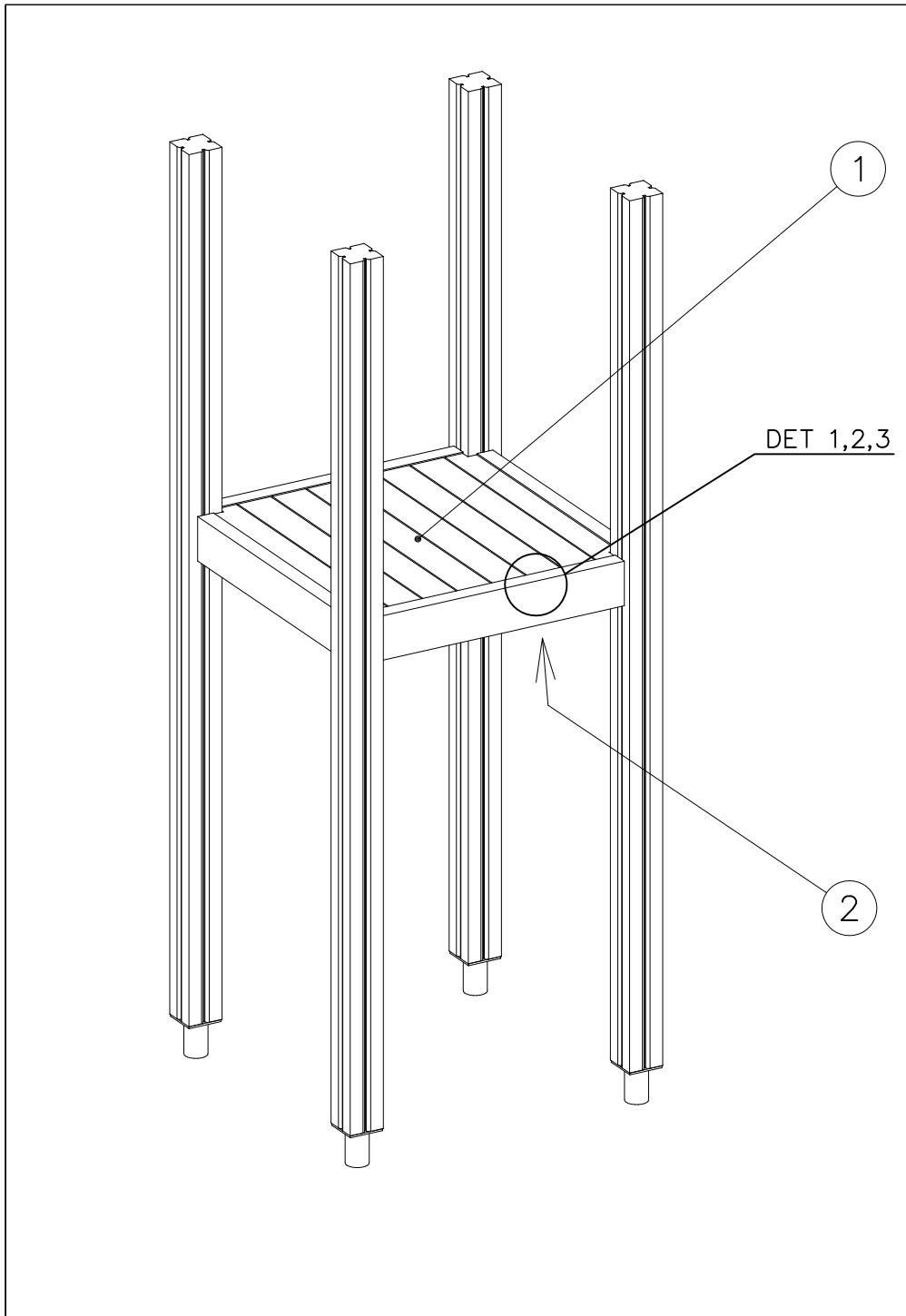


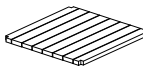
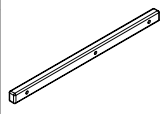
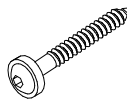

DET 7



DET 8





|   |     |   |     |
|---|-----|---|-----|
| ① 008986  | PCS | ② 706443  | PCS |
|  | 1   |  | 2   |
| 750x750   |     | 32x45x702   |     |
| ③ 900240  | PCS | ④ 980101  | PCS |
|  | 6   |  | 8   |
| Ø8x70   |     | Ø4.5x70   |     |
|   | PCS |   | PCS |
|   |     |   |     |
|   | PCS |   | PCS |
|   |     |   |     |
|   | PCS |   | PCS |
|   |     |   |     |

DET 1

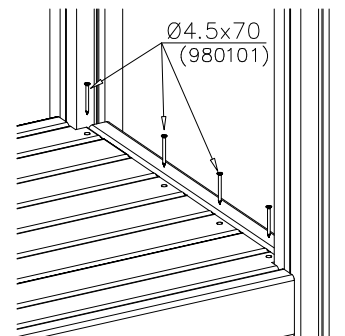


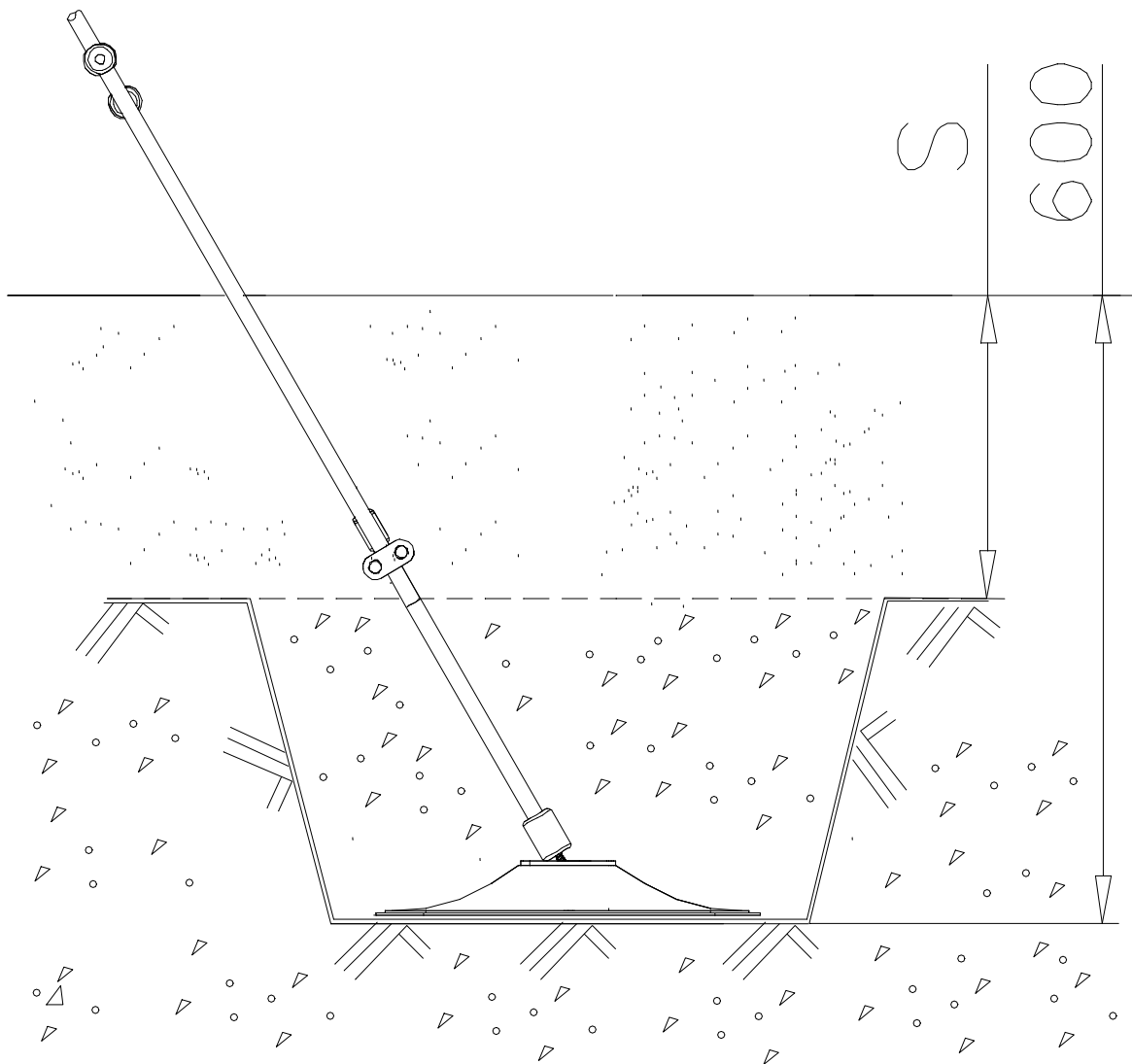
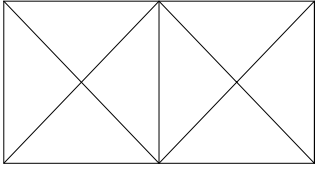
DET 2

Naulanauha kannatinlistan puolelle.  
Nail list to the bottom.



DET 3





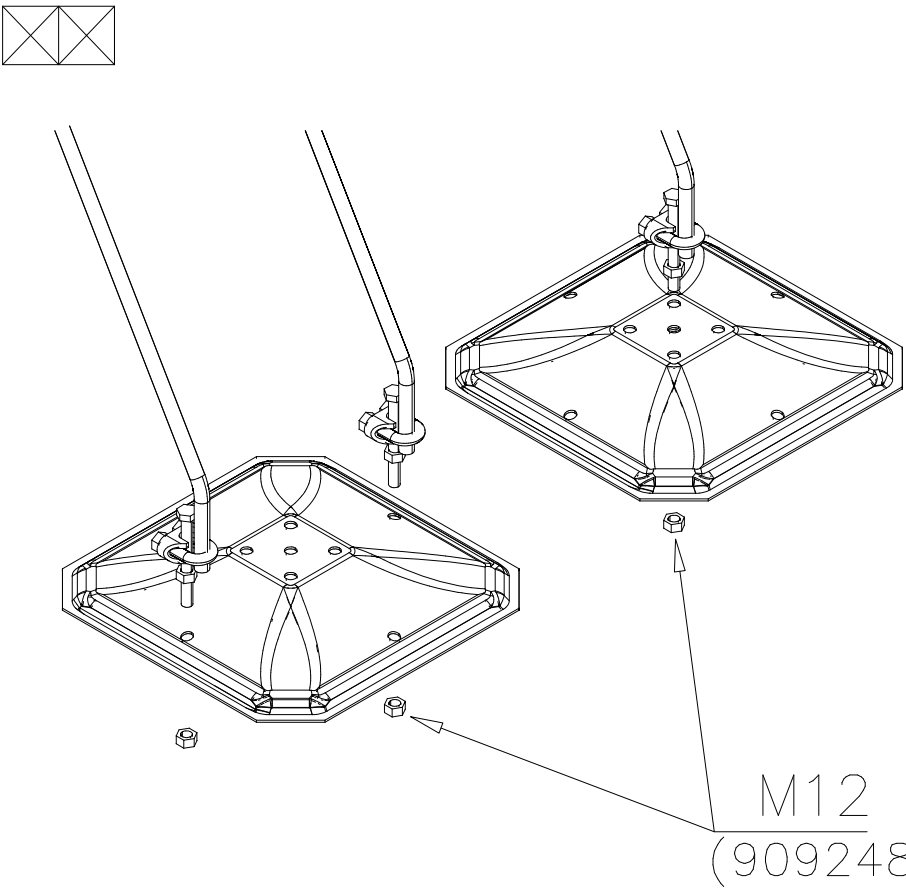


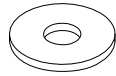
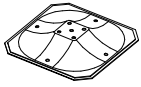
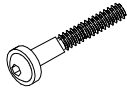


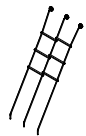
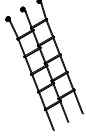
# LAPPSET® DEEP FOUNDATION

# ROPE LADDER

DATE: 30.6.2016

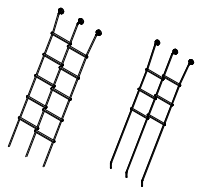
1(1)



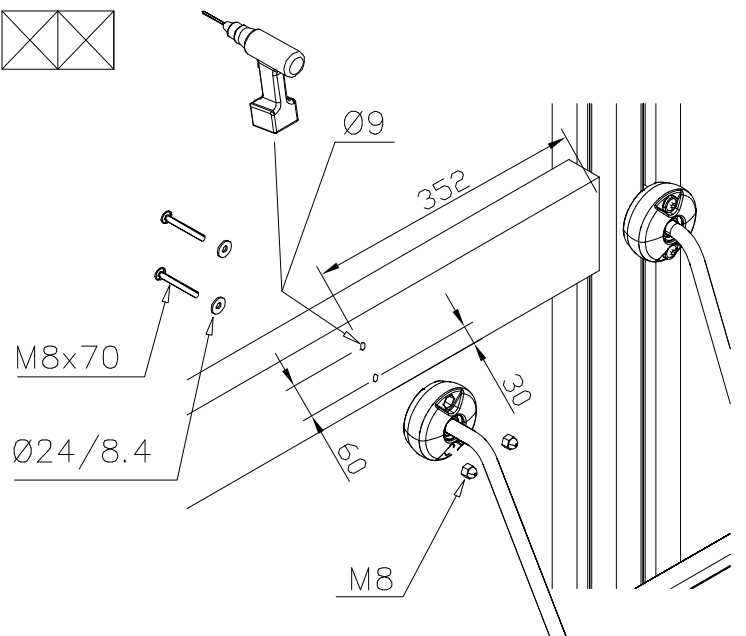
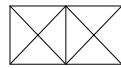
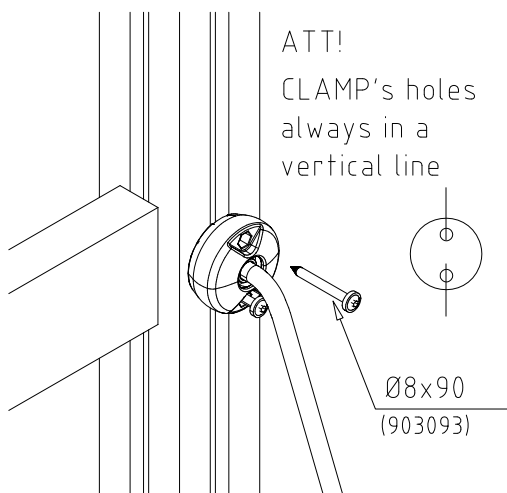
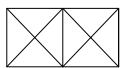
|   |     |   |     |
|---|-----|---|-----|
| ① 905051  | PCS | ② 909519  | PCS |
|    | 2   |    | 2   |
| Ø24/8.4   |     | 50x380x380  |     |
| ③ 909867  | PCS | ④ 909633  | PCS |
|    | 2   |    | 2   |
| M8x70   |     | M8  |     |
| ⑤ 903093  | PCS |   | PCS |
|    | 4   |   |     |
| Ø8x90   |     |   |     |
| ○ 706462  | PCS | ○ 707393  | PCS |
|  | 1   |  | 1   |
| +1470   |     | +1970   |     |

M12  
(909248)

## ROPE LADDER COLOR OPTIONS

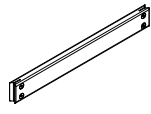
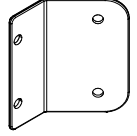
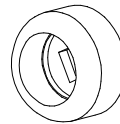
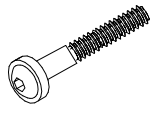
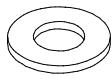
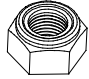
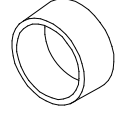
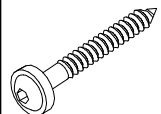


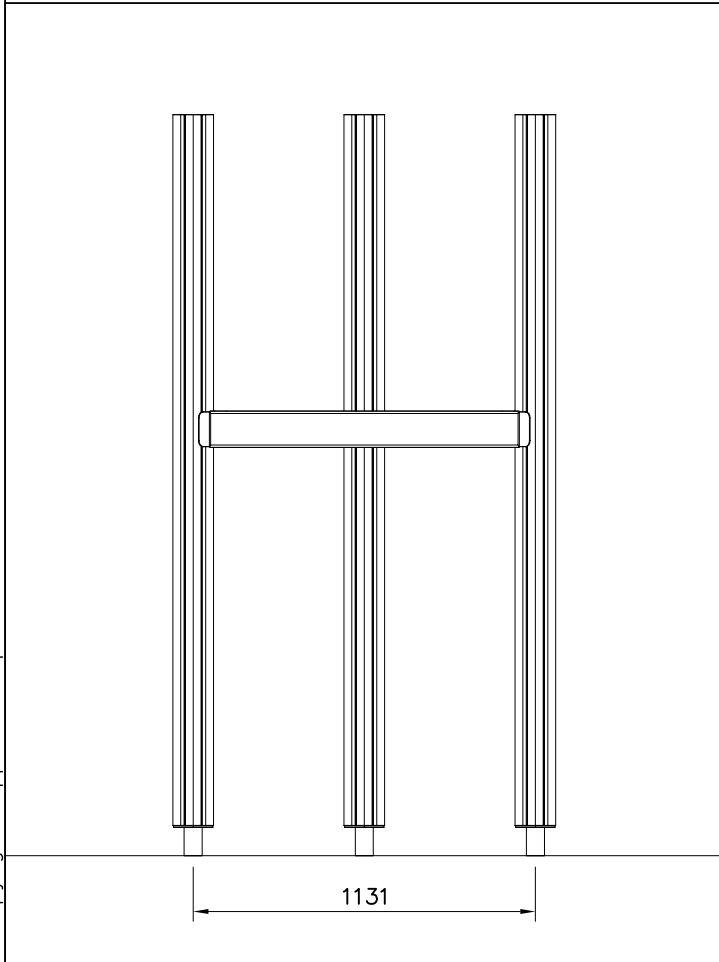
|            |        |
|------------|--------|
| xxxxxx-301 | BLUE   |
| xxxxxx-302 | RED    |
| xxxxxx-303 | BEIGE  |
| xxxxxx-304 | GRAY   |
| xxxxxx-305 | BLACK  |
| xxxxxx-306 | YELLOW |

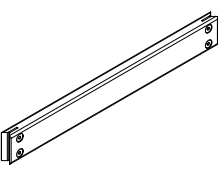




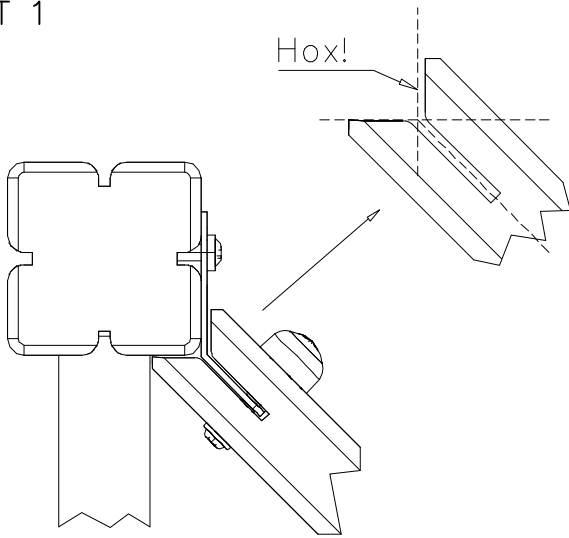


|   |     |   |     |
|---|-----|---|-----|
| ① 706510  | PCS | ② 907724  | PCS |
|    | 1   |    | 2   |
| 45x120x1030   |     |   |     |
| ③ 905083  | PCS | ④ 909866  | PCS |
|    | 4   |    | 4   |
| Ø32   |     | M8x60   |     |
| ⑤ 980151  | PCS | ⑥ 980150  | PCS |
|    | 4   |    | 4   |
| Ø16/8.4   |     | M8  |     |
| ⑦ 905112  | PCS | ⑧ 900240  | PCS |
|  | 4   |  | 4   |
| Ø22   |     | Ø8x70   |     |



| BOOM OPTIONS   |            |             |
|--|------------|-------------|
| 706510   | 706510-602 | DARK BROWN  |
|  | 706510-603 | LIGHT BROWN |
|  | 706510-604 | LIGHT GRAY  |
|  |            |             |
| 45x120x1030  |            |             |
|  |            |             |
|  |            |             |

DET 1



DET 2 M8x60  
(909866)



DET 3





|   |     |   |     |
|---|-----|---|-----|
| ① 900240  | PCS | ② 900342  | PCS |
|    | 4   |    | 2   |
| Ø8x70   |     | M8x16   |     |
| ③ 901900  | PCS | ④ 901939  | PCS |
|    | 2   |    | 1   |
| 20.5x36.2x56  |     | M12x70  |     |
| ⑤ 909850  | PCS | ⑥ 980150  | PCS |
|    | 1   |    | 1   |
| M8x25   |     | M8  |     |
| ⑦ 901182  | PCS | ⑧ 901902  | PCS |
|  | 1   |  | 2   |
| Ø11/M8x40   |     | 30.7x60.9x100   |     |
|   | PCS |   | PCS |
|   |     |   |     |
|   | PCS |   | PCS |
|   |     |   |     |
| ○ 907829  | PCS | ○ 907698  | PCS |
|  | 1   |  | 1   |
| Ø33,7x1454  |     | Ø33,7x2054  |     |
| ○ 907817  | PCS | ○ 907695  | PCS |
|  | 1   |  | 1   |
| Ø33,7x2554  |     |   |     |



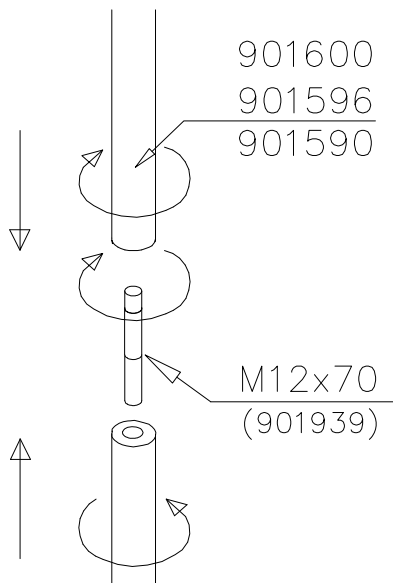
DET 1



DET 2



DET 3



DET 4



# LAPPSET® DEEP FOUNDATION

# POLE

DATE: 15.5.2014

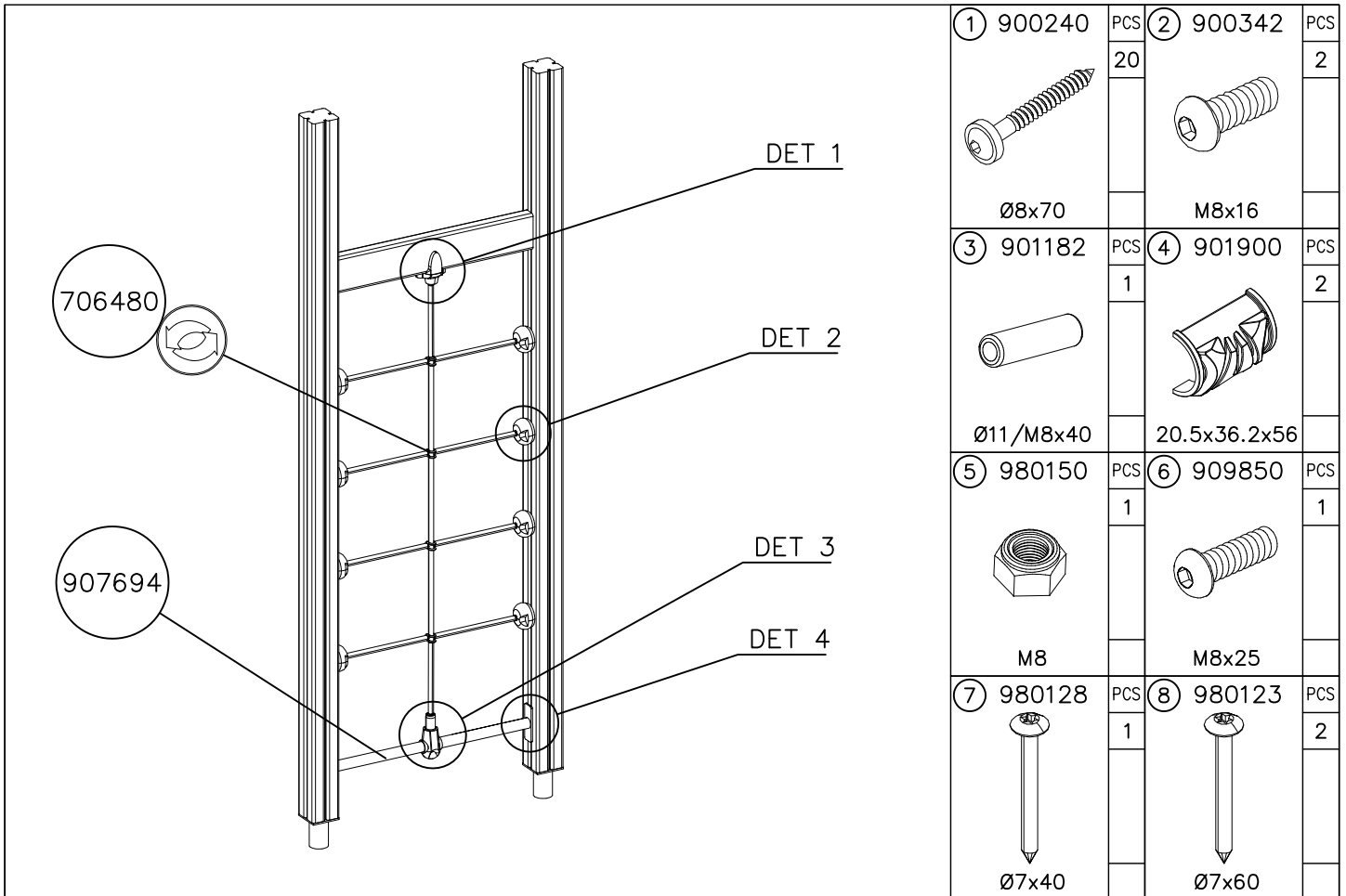
**1(1)**

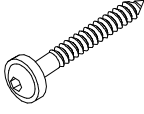
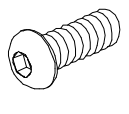
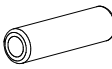

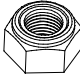
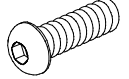




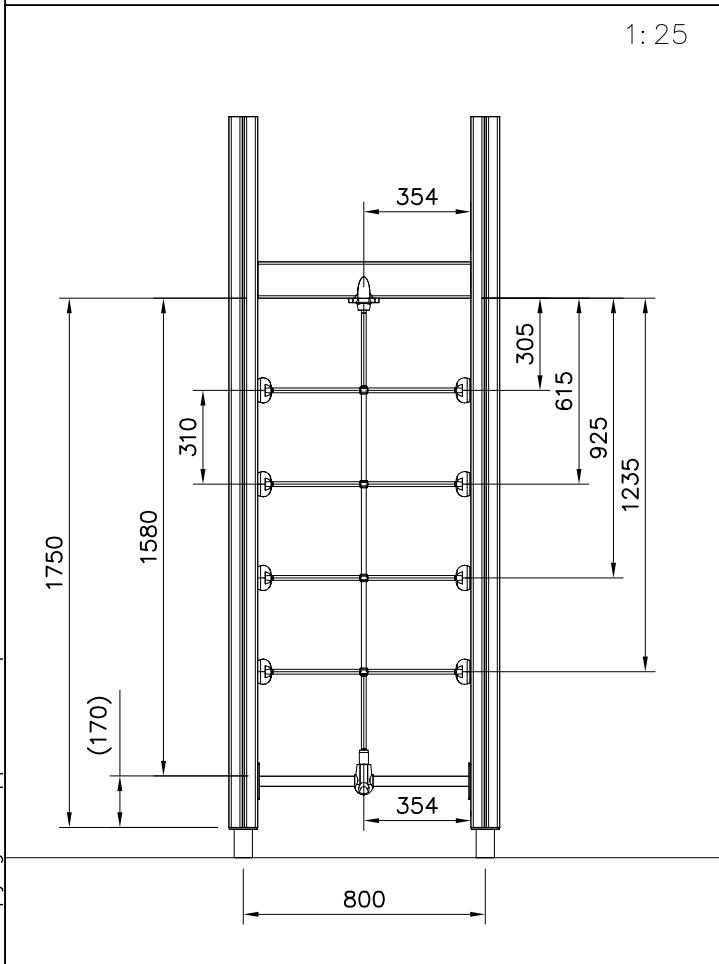
| ① | 905086  | PCS | ② | 909214  | PCS |
|---|---|-----|---|---|-----|
|   |  | 1   |   |  | 1   |
|   | Ø44/13.5  |     |   | M12x50  |     |
|   |   | PCS |   |   | PCS |
|   |   |     |   |   |     |
|   |   | PCS |   |   | PCS |
|   |   |     |   |   |     |
|   |   | PCS |   |   | PCS |
|   |   |     |   |   |     |
|   |   | PCS |   |   | PCS |
|   |   |     |   |   |     |
|   |   | PCS |   |   | PCS |
|   |   |     |   |   |     |
|   |   | PCS |   |   | PCS |
|   |   |     |   |   |     |
|   |   | PCS |   |   | PCS |
|   |   |     |   |   |     |

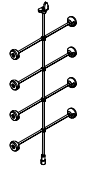
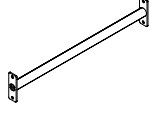







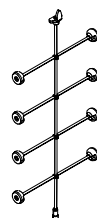
|   |  |
|---|--|
| ① 900240<br><br>Ø8x70<br>PCS 20    | ② 900342<br><br>M8x16<br>PCS 2        |
| ③ 901182<br><br>Ø11/M8x40<br>PCS 1 | ④ 901900<br><br>20.5x36.2x56<br>PCS 2 |
| ⑤ 980150<br><br>M8<br>PCS 1        | ⑥ 909850<br><br>M8x25<br>PCS 1        |
| ⑦ 980128<br><br>Ø7x40<br>PCS 1   | ⑧ 980123<br><br>Ø7x60<br>PCS 2      |



|   |   |
|---|---|
| ○ 706480<br><br>1580x705<br>PCS 1      | ○ 907694<br><br>L 704<br>PCS 1 |
| ○ 901902<br><br>30.7x60.9x100<br>PCS 2 | PCS   |

### NET OPTIONS

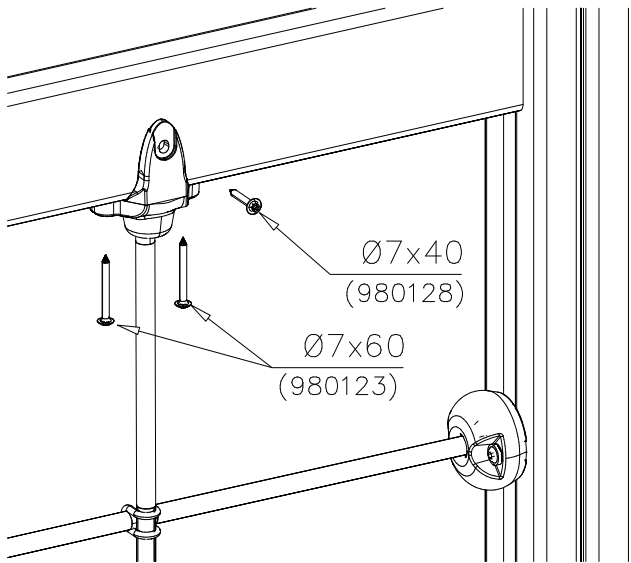
706480



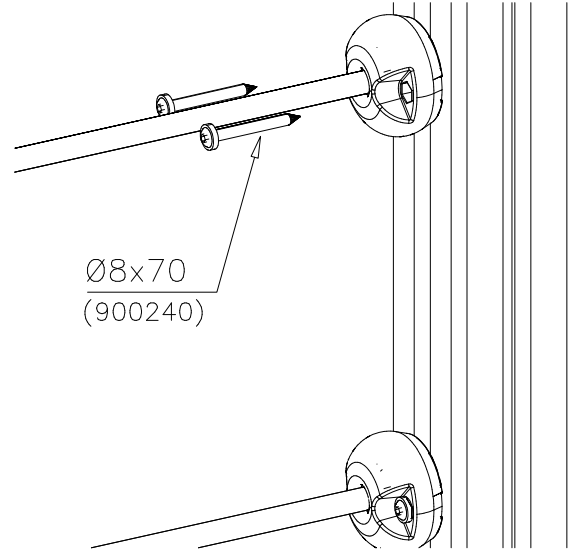
1580x705

- 706480-301 BLUE
- 706480-302 RED
- 706480-303 BEIGE
- 706480-304 GRAY
- 706480-305 BLACK
- 706480-306 YELLOW

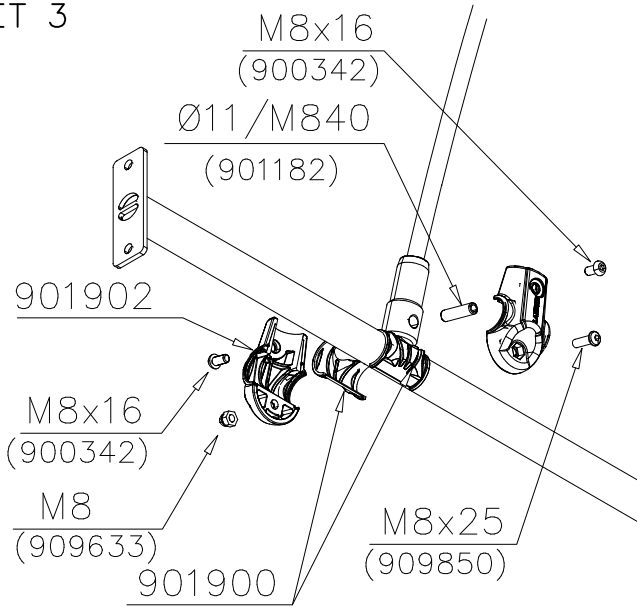
DET 1



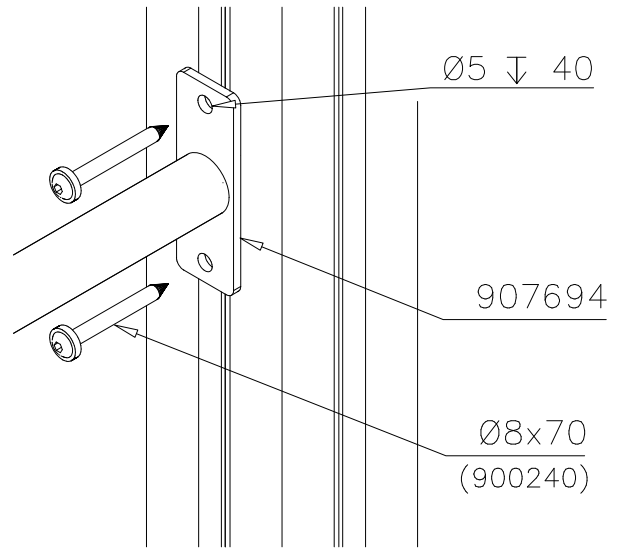
DET 2

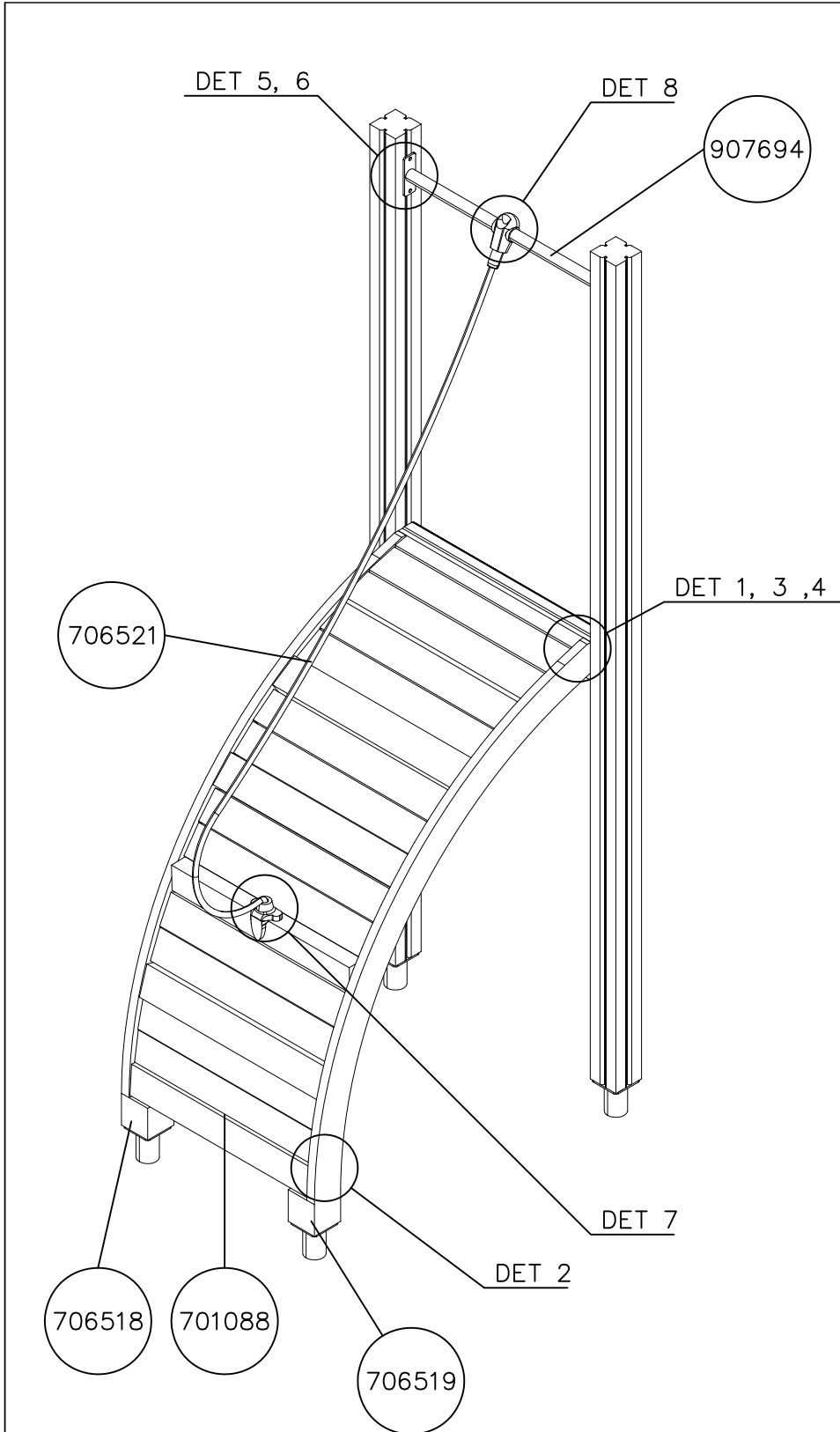


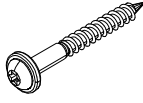
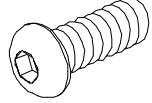
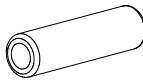
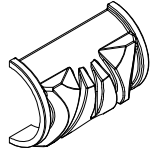

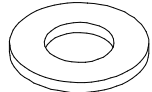
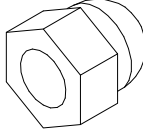
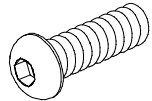
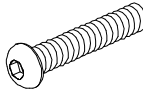
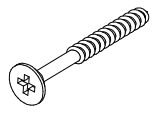


DET 3

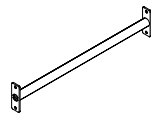
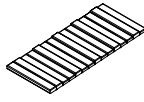
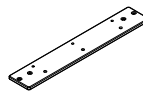





DET 4





|   |     |   |     |
|---|-----|---|-----|
| ① 900240  | PCS | ② 900342  | PCS |
|    | 12  |    | 2   |
| Ø8x70   |     | M8x16   |     |
| ③ 901182  | PCS | ④ 901900  | PCS |
|    | 1   |    | 2   |
| Ø11/M8x40   |     | 20.5x36.2x56  |     |
| ⑤ 901902  | PCS | ⑥ 909256  | PCS |
|    | 2   |    | 4   |
| 30.7x60.9x100   |     | Ø16/8.4x1.6   |     |
| ⑦ 909633  | PCS | ⑧ 909850  | PCS |
|   | 1   |  | 1   |
| M8  |     | M8x25   |     |
| ⑨ 909855  | PCS | ⑩ 980107  | PCS |
|  | 4   |  | 3   |
| M8x35   |     | Ø6x60   |     |
| ⑪ 980123  | PCS | ⑫ 980128  | PCS |
|  | 2   |  | 4   |
| Ø7x60   |     | Ø7x40   |     |

|   |     |   |     |   |     |  |     |   |     |   |     |
|---|-----|---|-----|---|-----|--|-----|---|-----|---|-----|
| ○ 907694  | PCS | ○ 701088  | PCS | ○ 701092  | PCS | ○ 706521   | PCS | ○ 706518  | PCS | ○ 706519  | PCS |
|  | 1   |  | 1   |  | 1   |  | 1   |  | 1   |  | 1   |
| L 704   |     | 45x645x1670   |     | 15x120x700  |     | L 2120   |     | 95x1005x1365  |     | 95x1005x1365  |     |

ROPE OPTIONS

706521

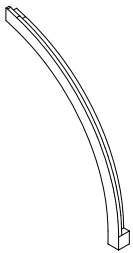


706521-301 BLUE  
706521-302 RED  
706521-303 BEIGE

706521-304 GRAY  
706521-305 BLACK  
706521-306 YELLOW

LEFT ARCH OPTIONS

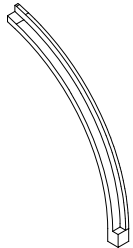
706518



706518-602 DARK BROWN  
706518-603 LIGHT BROWN  
706518-604 LIGHT GRAY

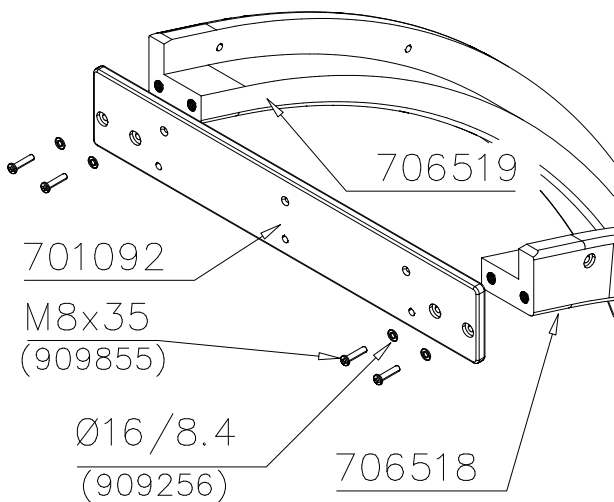
RIGHT ARCH OPTIONS

706519

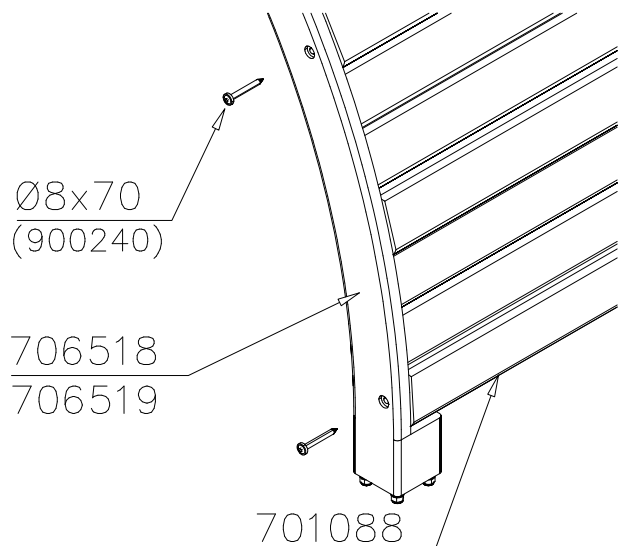


706519-602 DARK BROWN  
706519-603 LIGHT BROWN  
706519-604 LIGHT GRAY

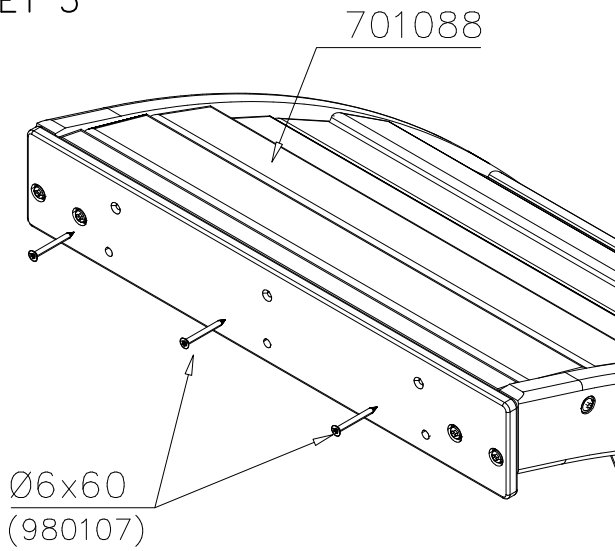
DET 1



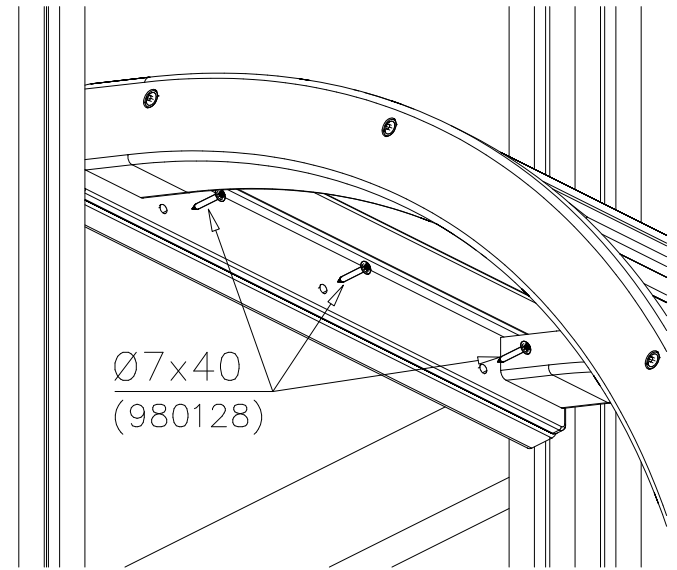
DET 2



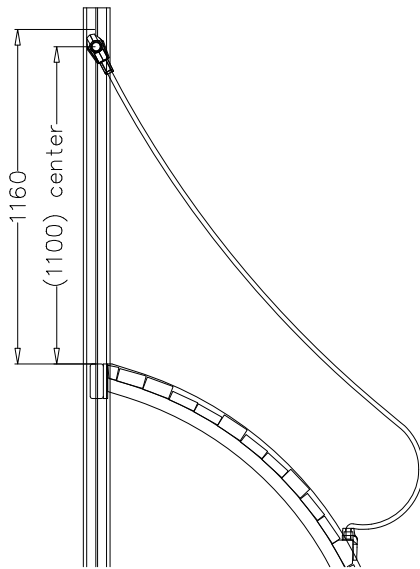
DET 3



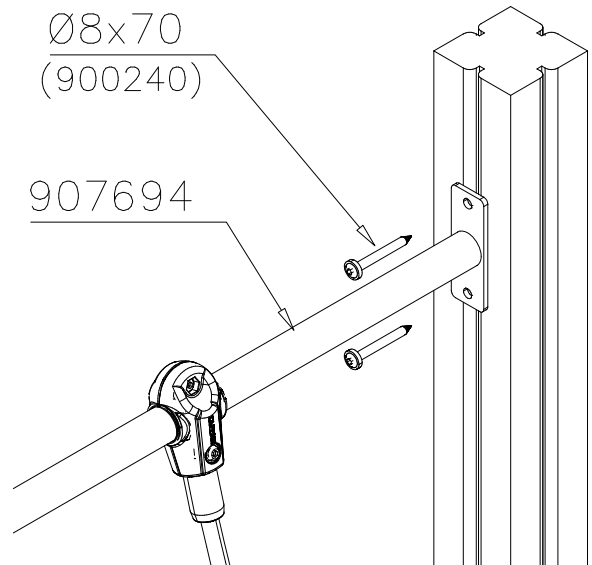
DET 4



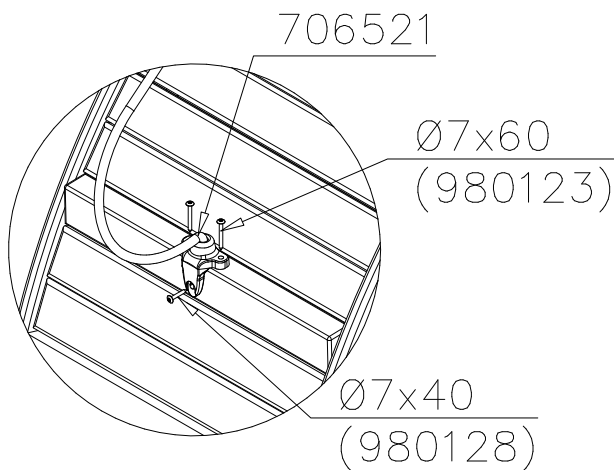
DET 5



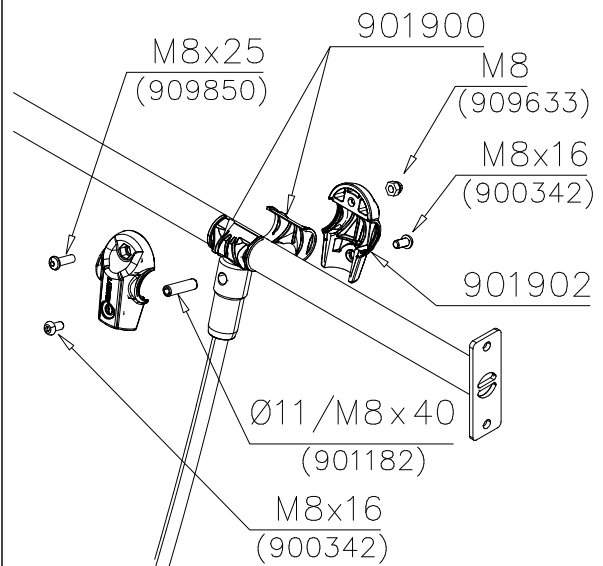
DET 6

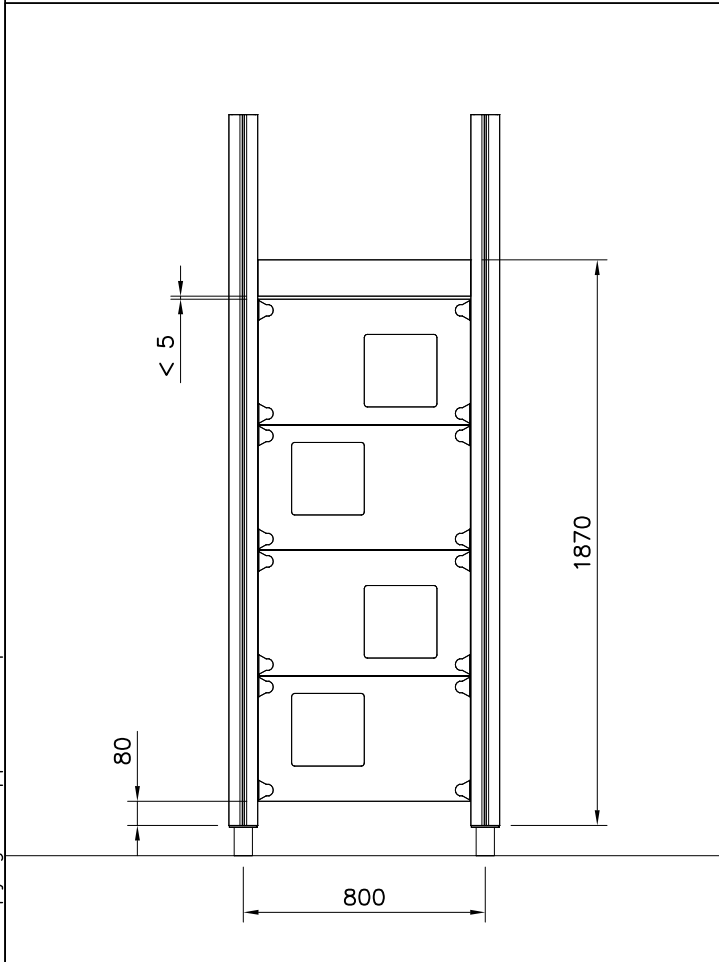
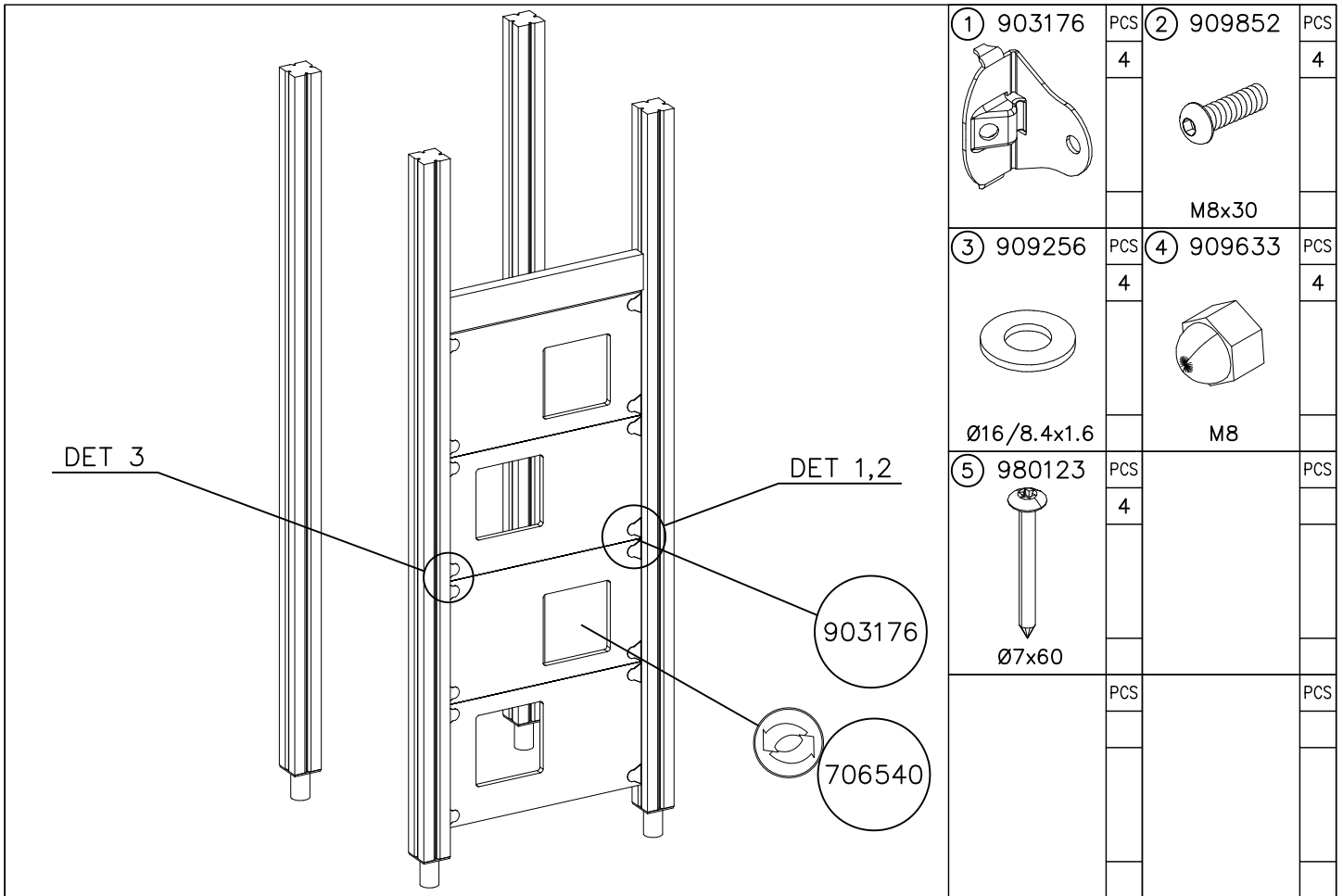


DET 7



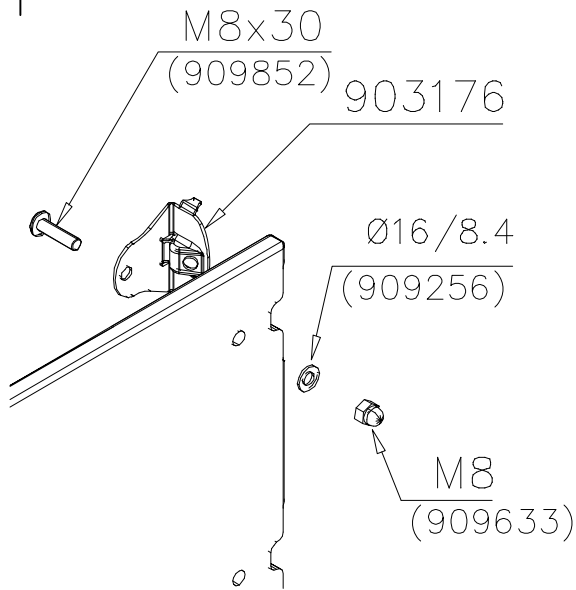
DET 8





| WALL OPTIONS |            |            |
|--------------|------------|------------|
| 706540       | 706540-701 | BLUE       |
|              | 706540-702 | YELLOW     |
|              | 706540-703 | LIME       |
|              | 706540-704 | DARK GRAY  |
|              | 706540-705 | LIGHT GRAY |
|              | 706540-706 | RED        |
|              | 706540-707 | GREEN      |
|              | 706540-708 | FUXIA      |
|              |            |            |
| 20x702x415   |            |            |

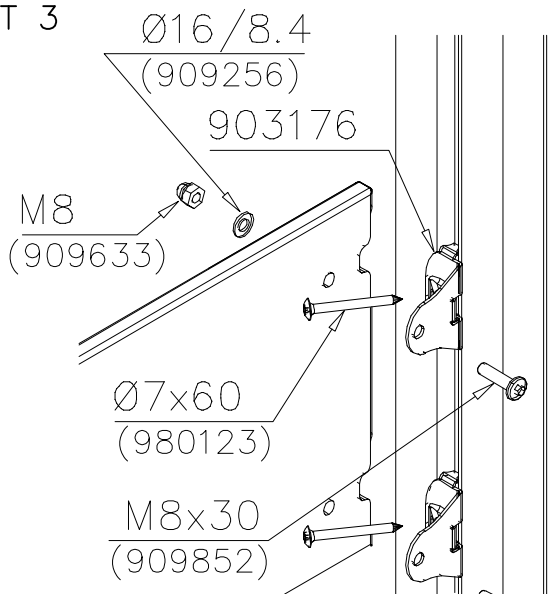
DET 1

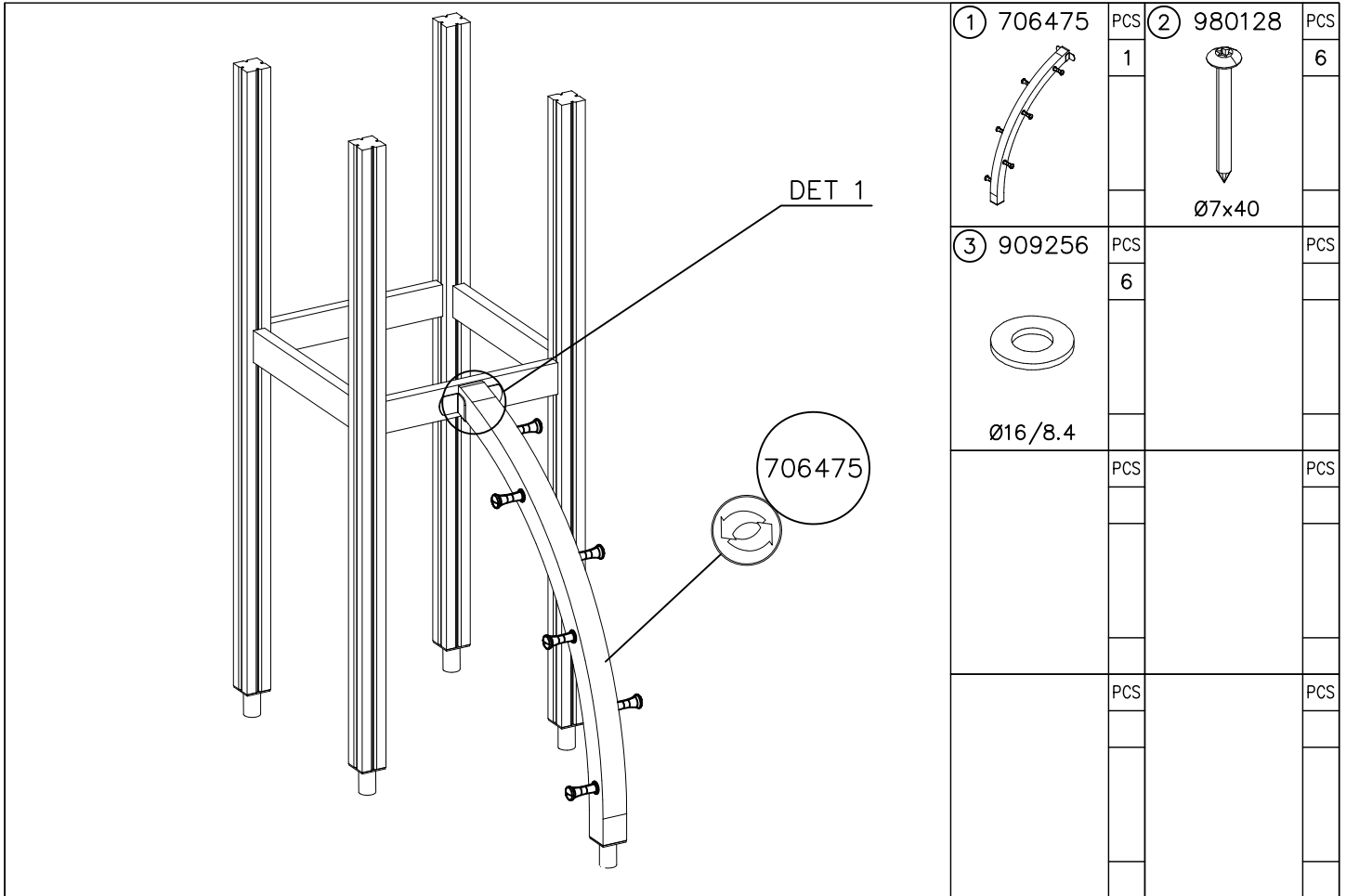


DET 2

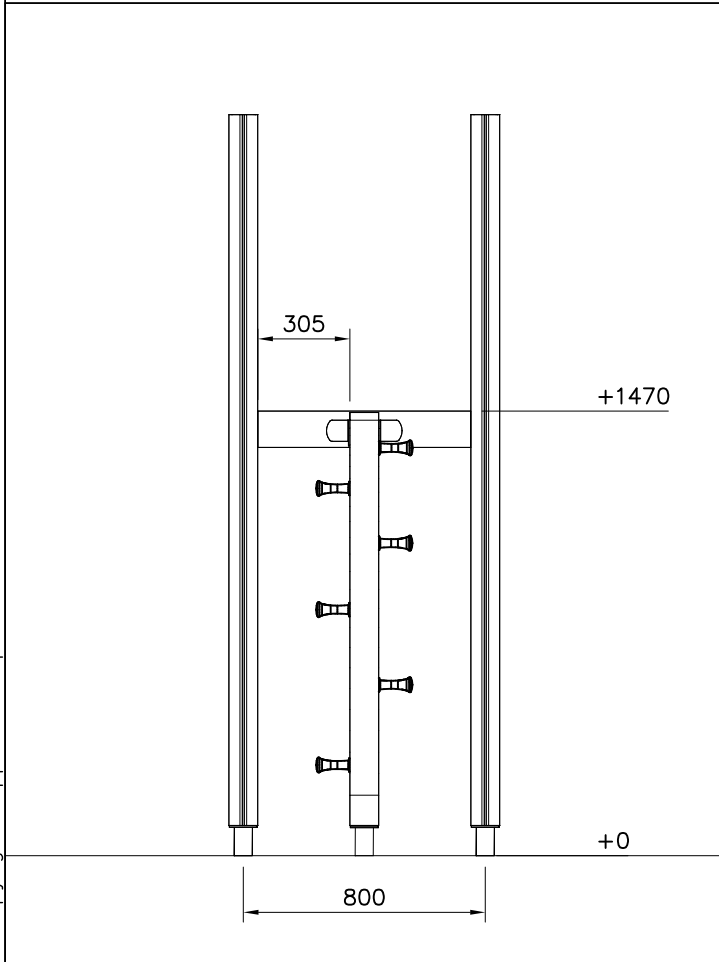


DET 3

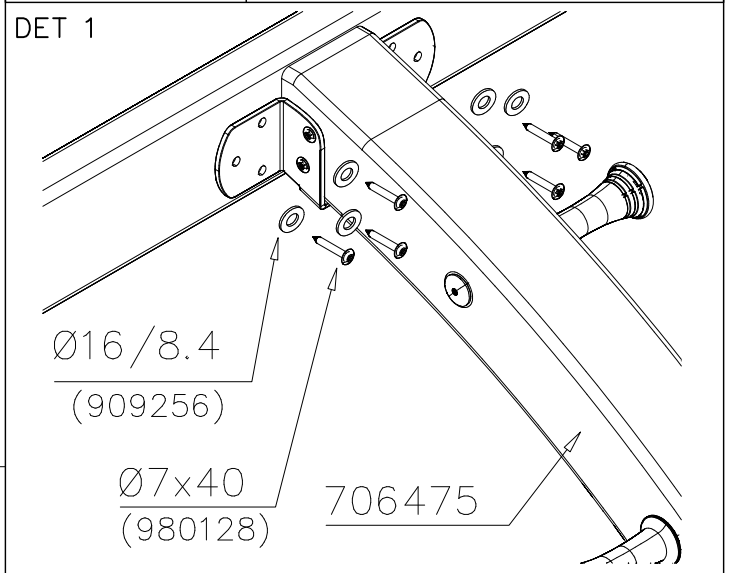




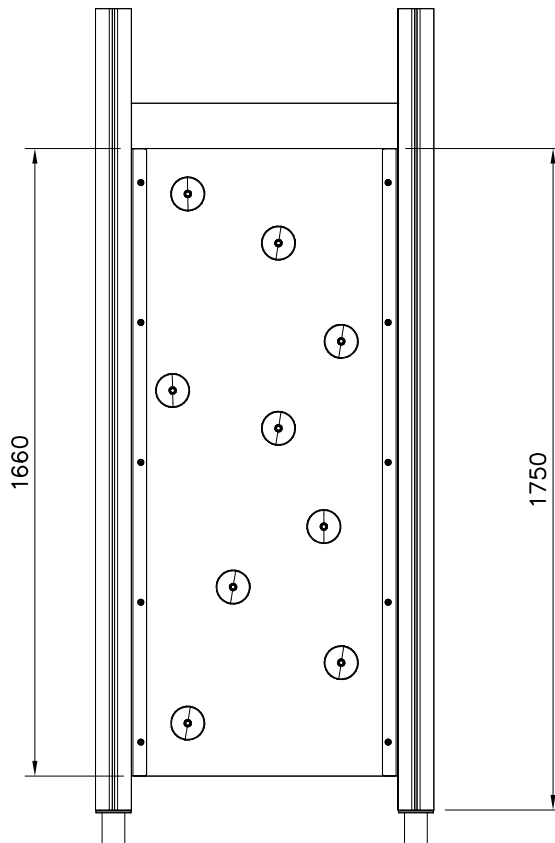
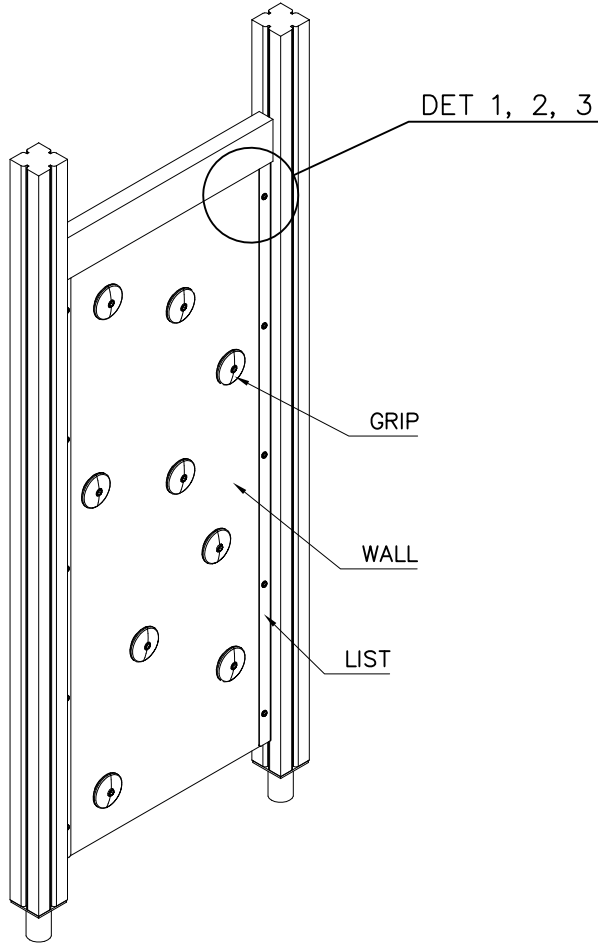
|          |     |          |     |
|----------|-----|----------|-----|
| ① 706475 | PCS | ② 980128 | PCS |
|          | 1   |          | 6   |
|          |     | Ø7x40    |     |
| ③ 909256 | PCS |          | PCS |
|          | 6   |          |     |
|          |     | Ø16/8.4  |     |
|          | PCS |          | PCS |
|          |     |          |     |
|          | PCS |          | PCS |
|          |     |          |     |


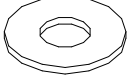
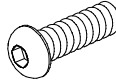
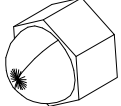
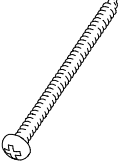

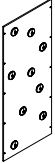


| OPTIONS |            |             |
|---------|------------|-------------|
| 706475  | 706475-602 | DARK BROWN  |
|         | 706475-603 | LIGHT BROWN |
|         | 706475-604 | LIGHT GRAY  |

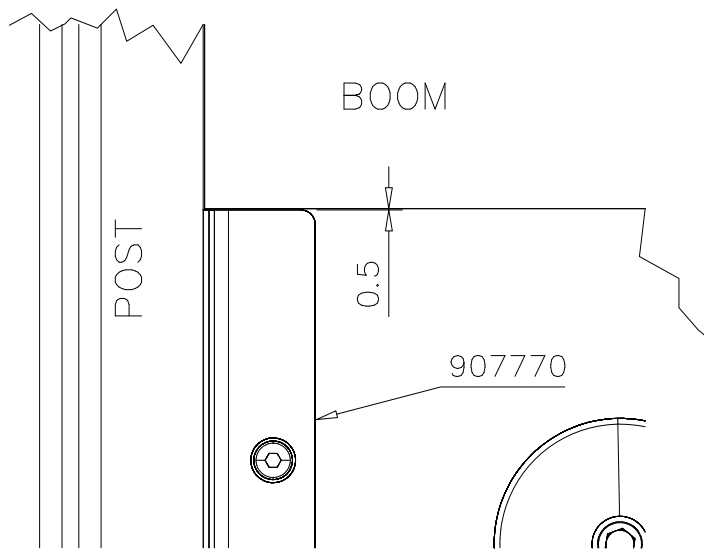




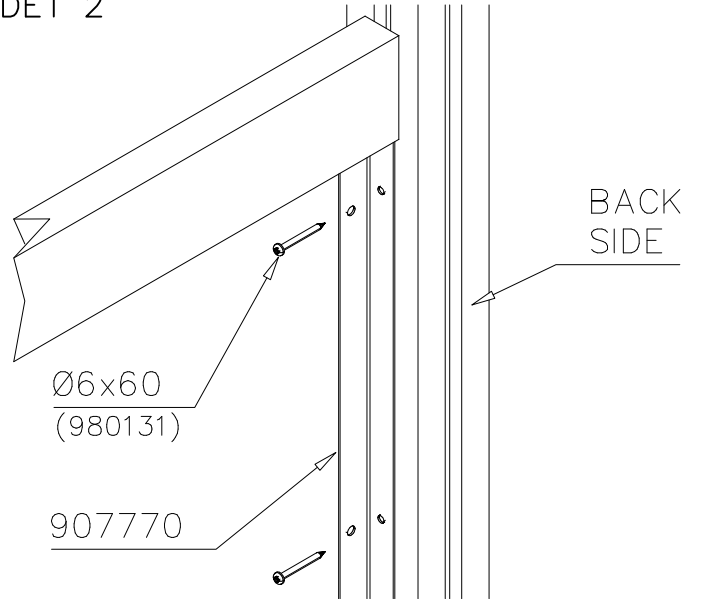


|   |     |   |     |
|---|-----|---|-----|
| ① 909256  | PCS | ② 980152  | PCS |
|    | 10  |    | 10  |
| Ø16/8.4x1.6   |     | Ø24/8.4x2   |     |
| ③ 909850  | PCS | ④ 909633  | PCS |
|    | 10  |    | 10  |
| M8x25   |     | M8  |     |
|   | PCS | ⑤ 980131  | PCS |
|   |     |    | 10  |
|   |     | Ø6x60   |     |
|   | PCS |   | PCS |
|   |     |   |     |
|   | PCS |   | PCS |
|   |     |   |     |
|   | PCS |   | PCS |
|   |     |   |     |
| ○ 907770  | PCS | ○ 706646 + grips  | PCS |
|  | 2   |  | 1   |
| 2x35/40x1659  |     |   |     |
|   | PCS |   | PCS |
|   |     |   |     |

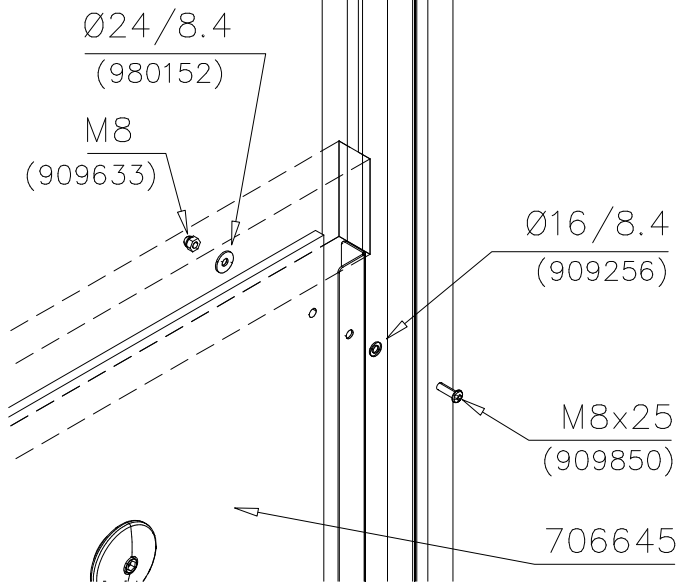
DET 1

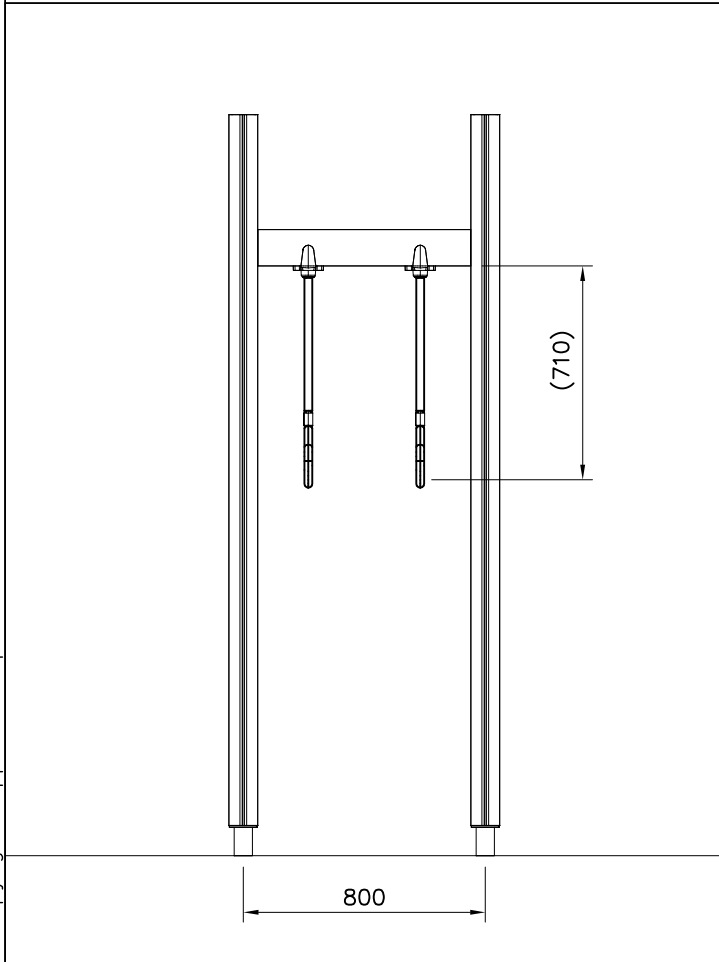
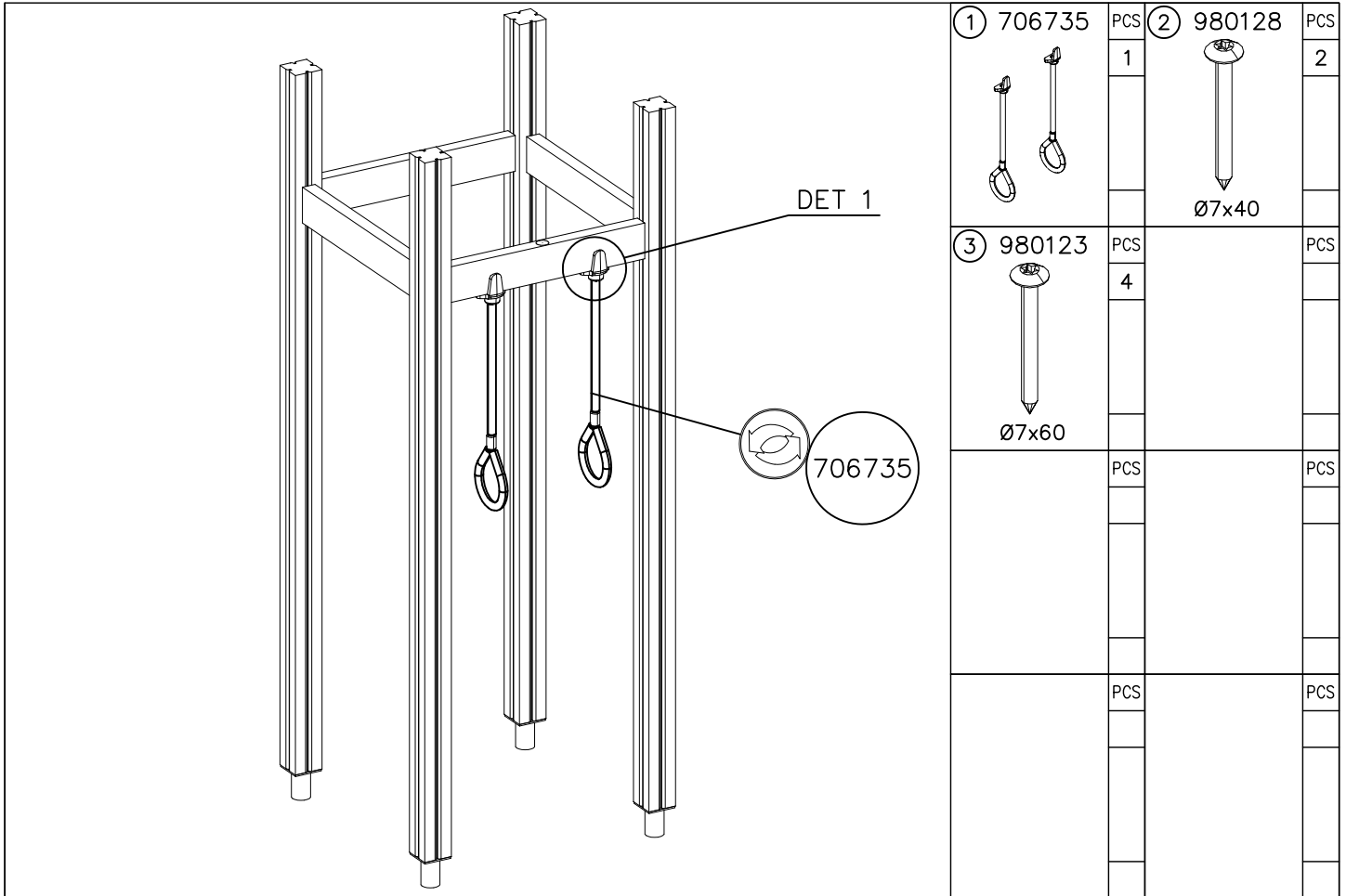


DET 2

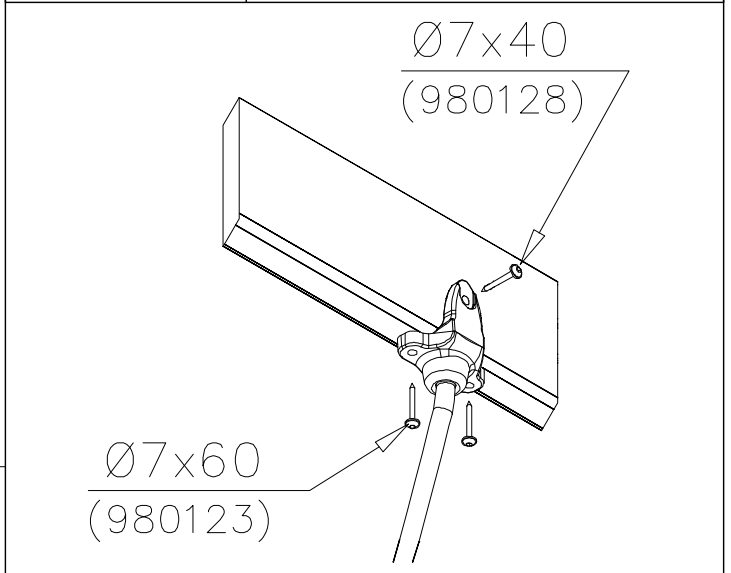


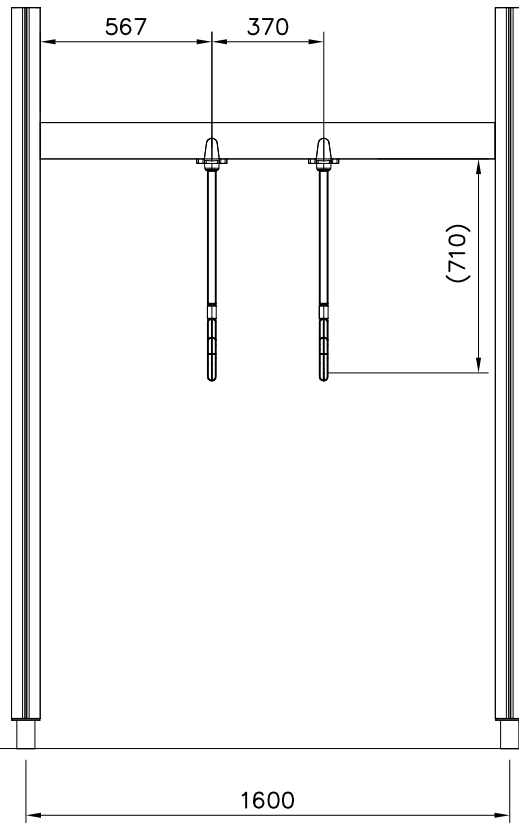
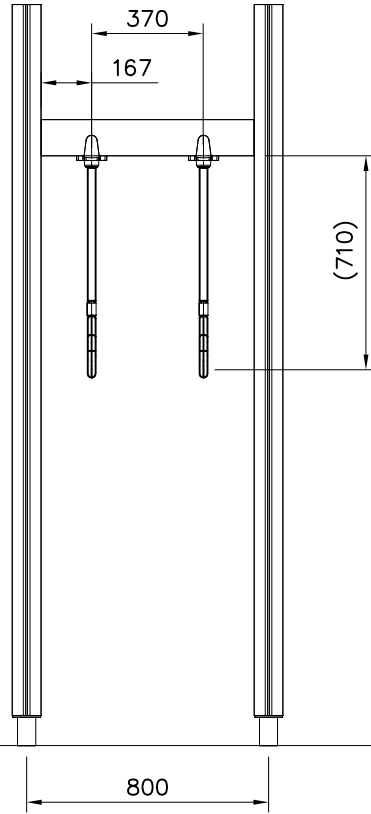
DET 3

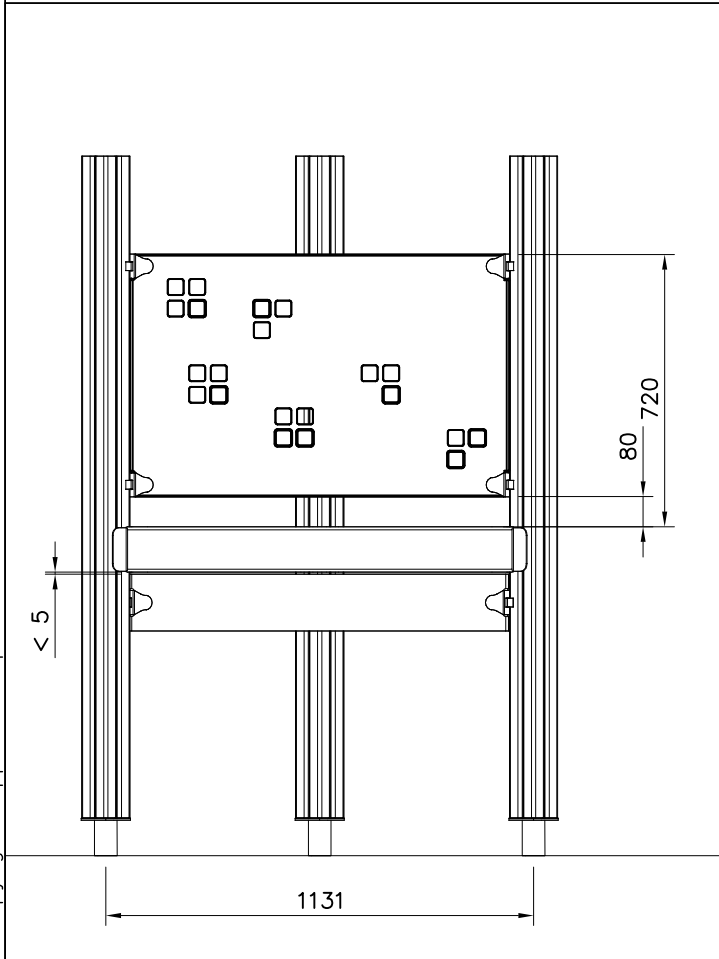
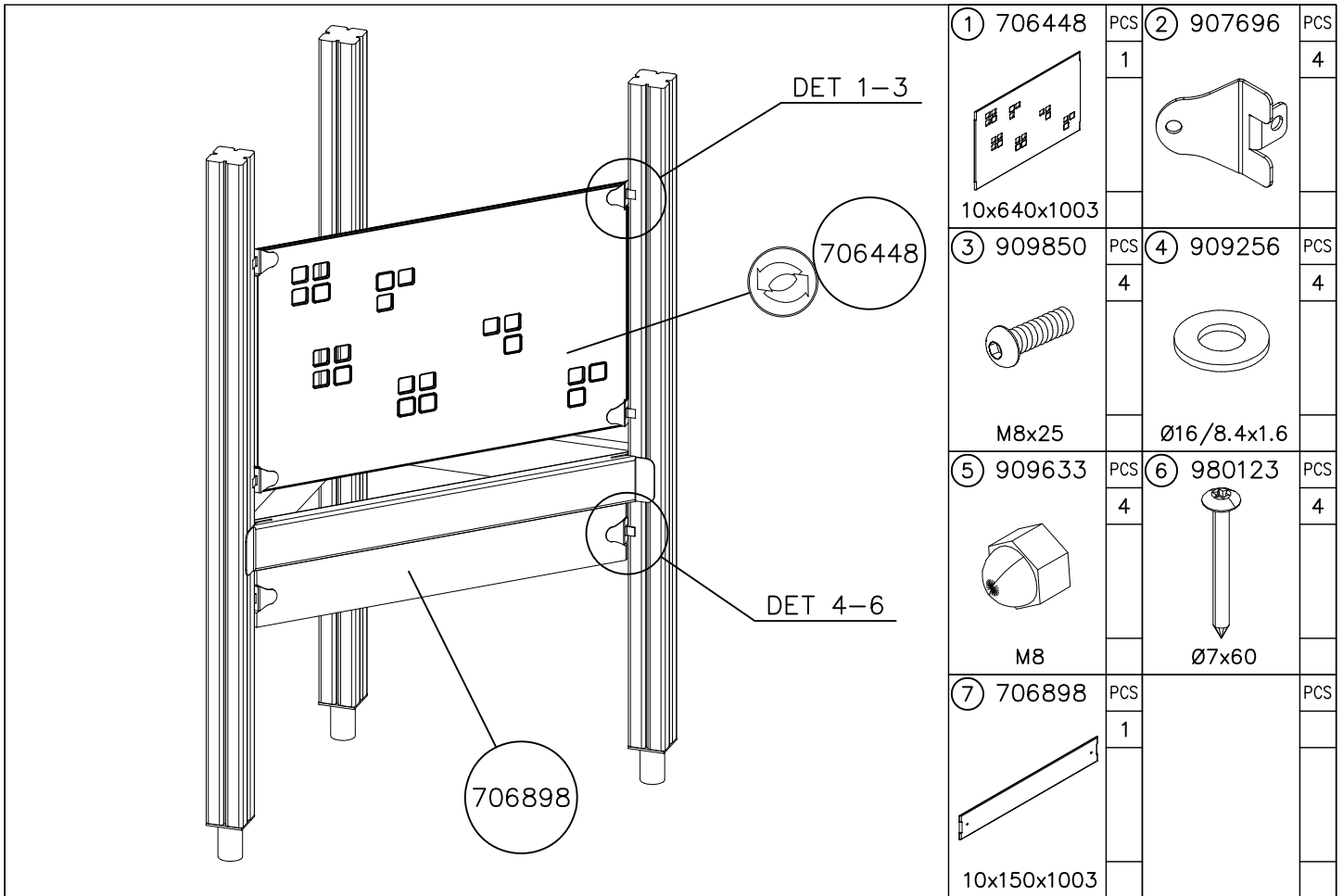




| RINGS OPTIONS |            |        |
|---------------|------------|--------|
| 706735        | 706735-301 | BLUE   |
|               | 706735-302 | RED    |
|               | 706735-303 | BEIGE  |
|               | 706735-304 | GRAY   |
|               | 706735-305 | BLACK  |
|               | 706735-306 | YELLOW |

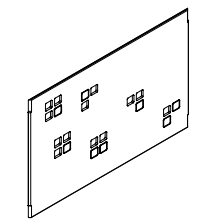






### WALL OPTIONS

706448

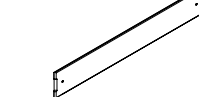


10x640x1003

|            |            |
|------------|------------|
| 706448-701 | BLUE       |
| 706448-702 | YELLOW     |
| 706448-703 | LIME       |
| 706448-704 | DARK GRAY  |
| 706448-705 | LIGHT GRAY |
| 706448-706 | RED        |
| 706448-707 | GREEN      |
| 706448-708 | FUXIA      |

### WALL OPTIONS

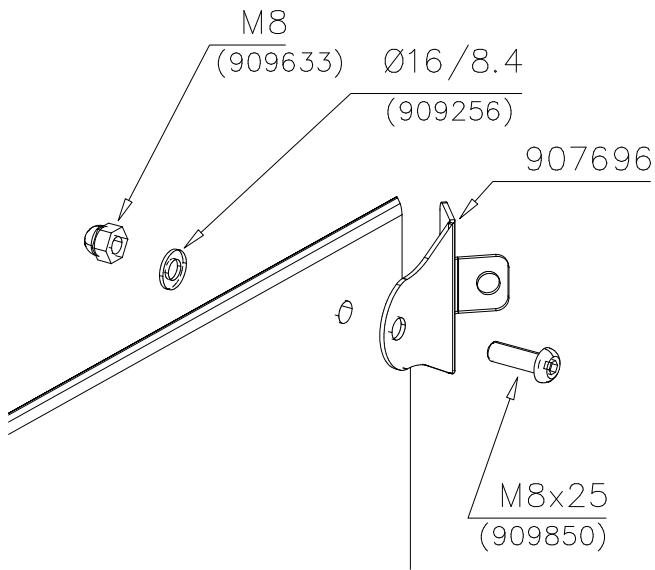
706898



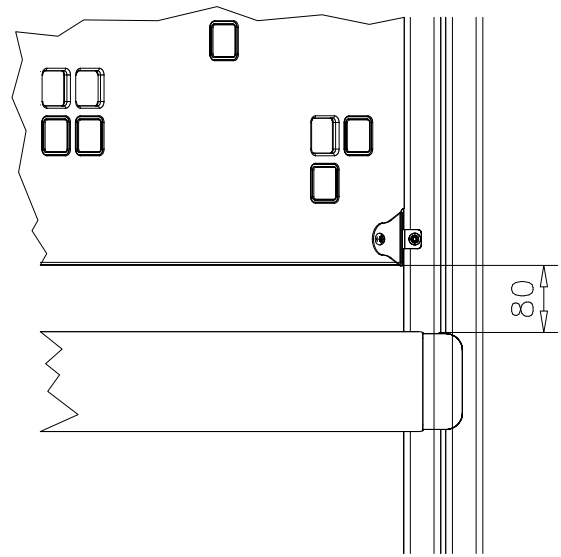
10x150x1003

706898 DARK GRAY

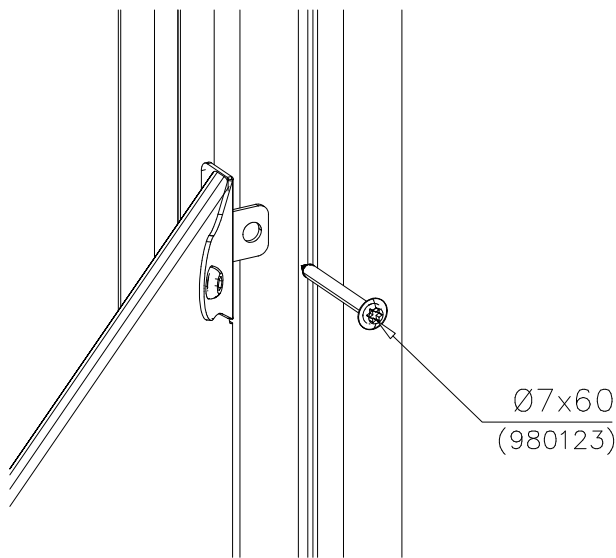
DET 1



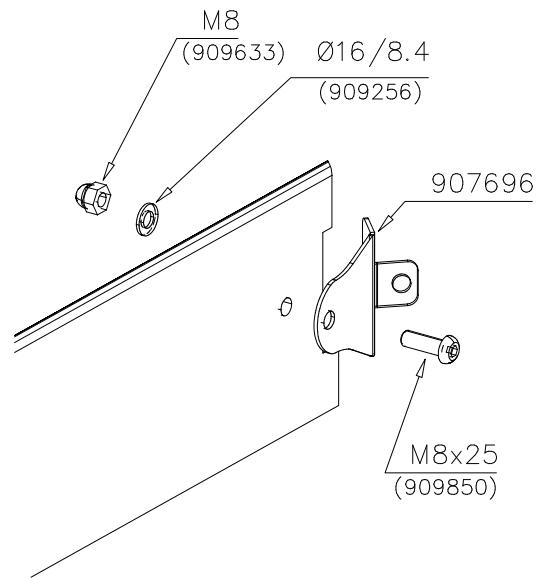
DET 2



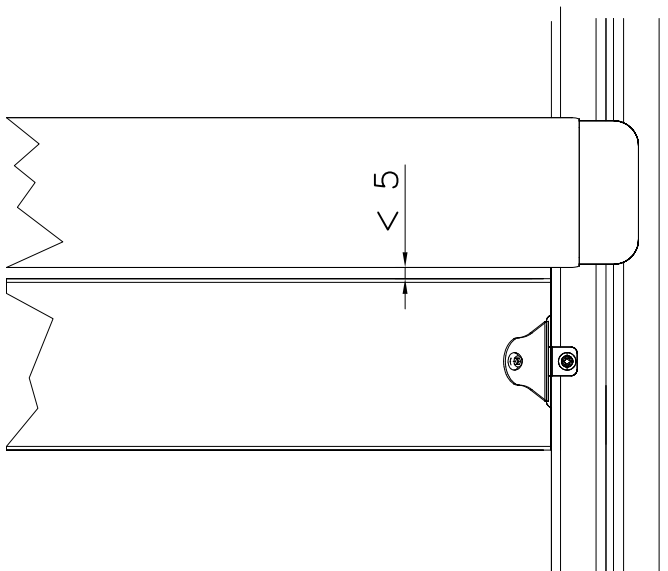
DET 3



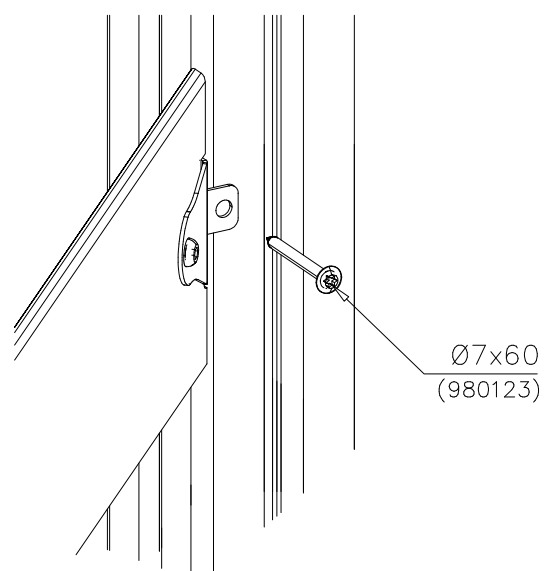
DET 4

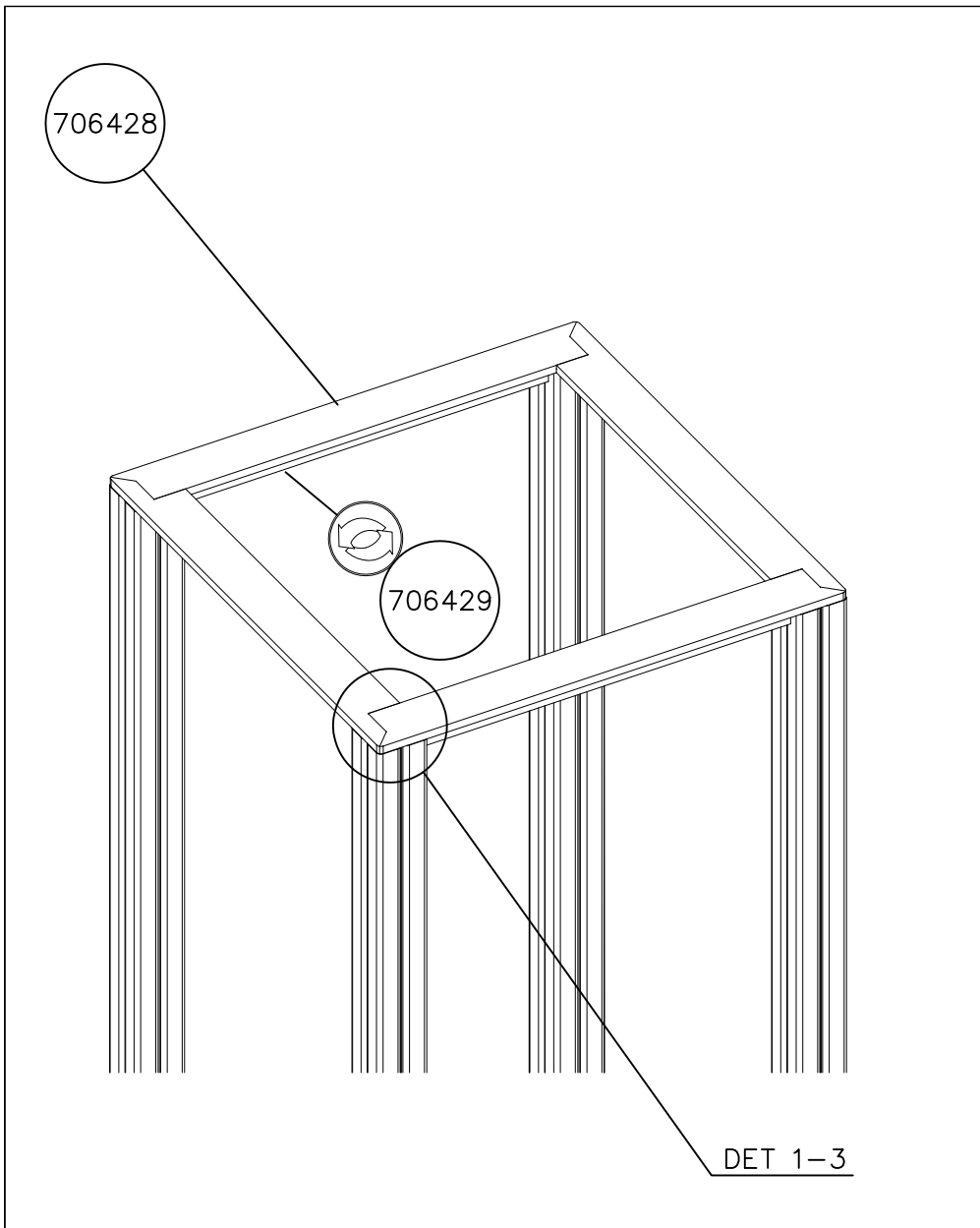


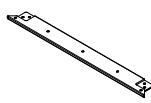
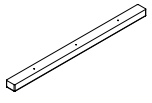
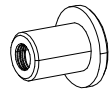
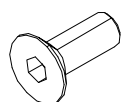

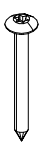
DET 5



DET 6

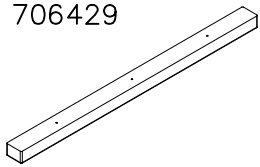




|   |     |   |     |
|---|-----|---|-----|
| ① 706428  | PCS | ② 706429  | PCS |
|  | 4   |  | 4   |
| 15x93x888.5   |     | 32x45x705   |     |
| ③ 900850  | PCS | ④ 907911  | PCS |
|  | 8   |  | 8   |
| M6  |     | M6x12   |     |
| ⑤ 980123  | PCS | ⑥ 980128  | PCS |
|  | 8   |  | 12  |
| Ø7x60   |     | Ø7x40   |     |
|   | PCS |   | PCS |
|   |     |   |     |
|   | PCS |   | PCS |
|   |     |   |     |

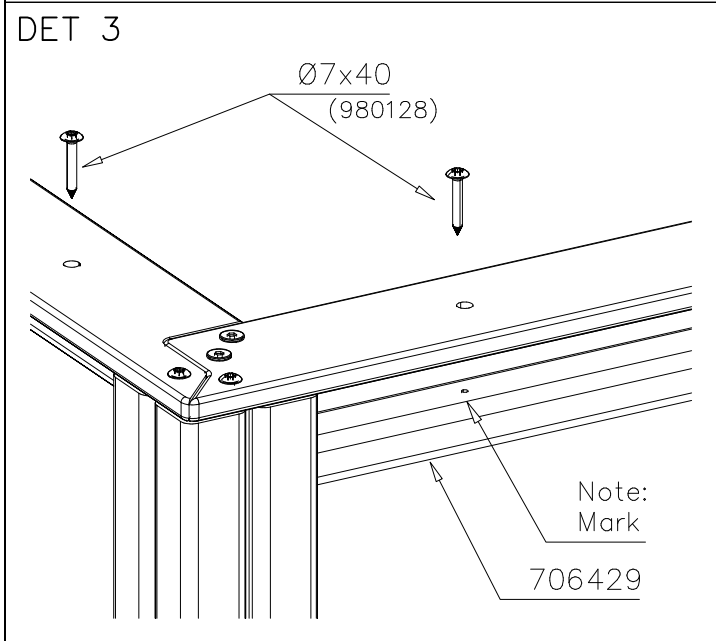
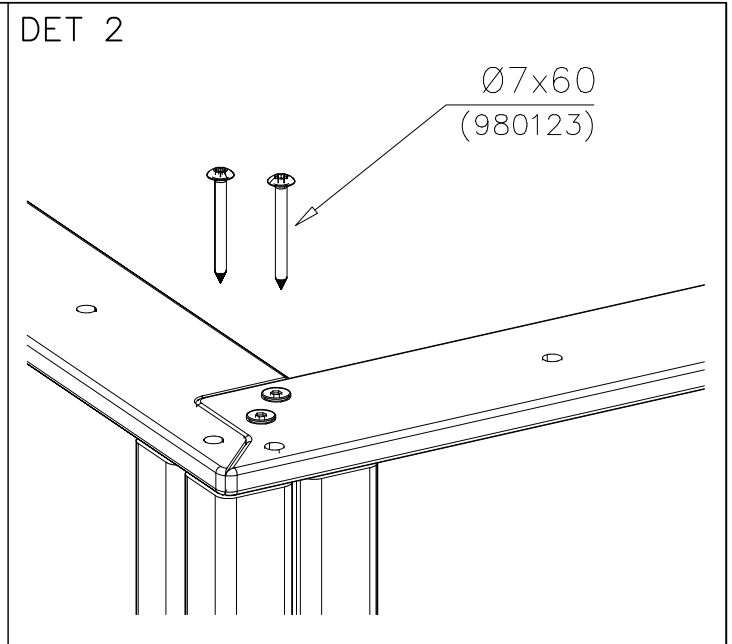
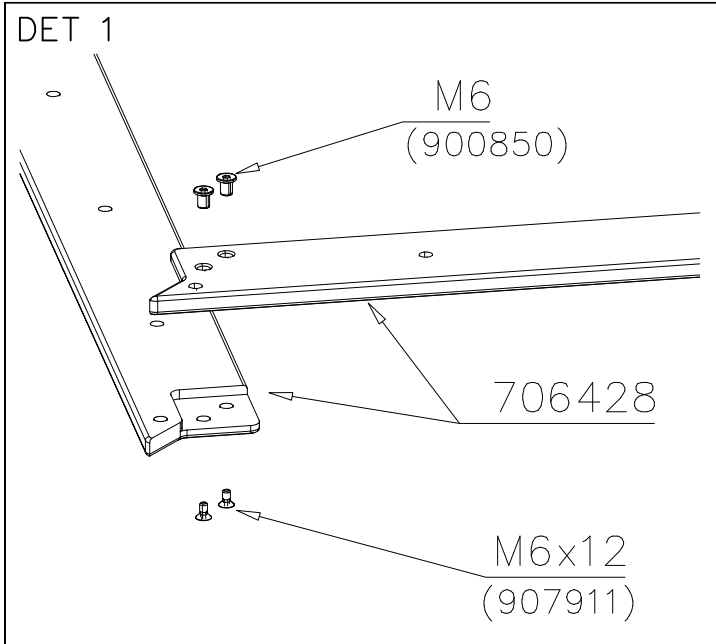
STRIP OPTIONS

706429

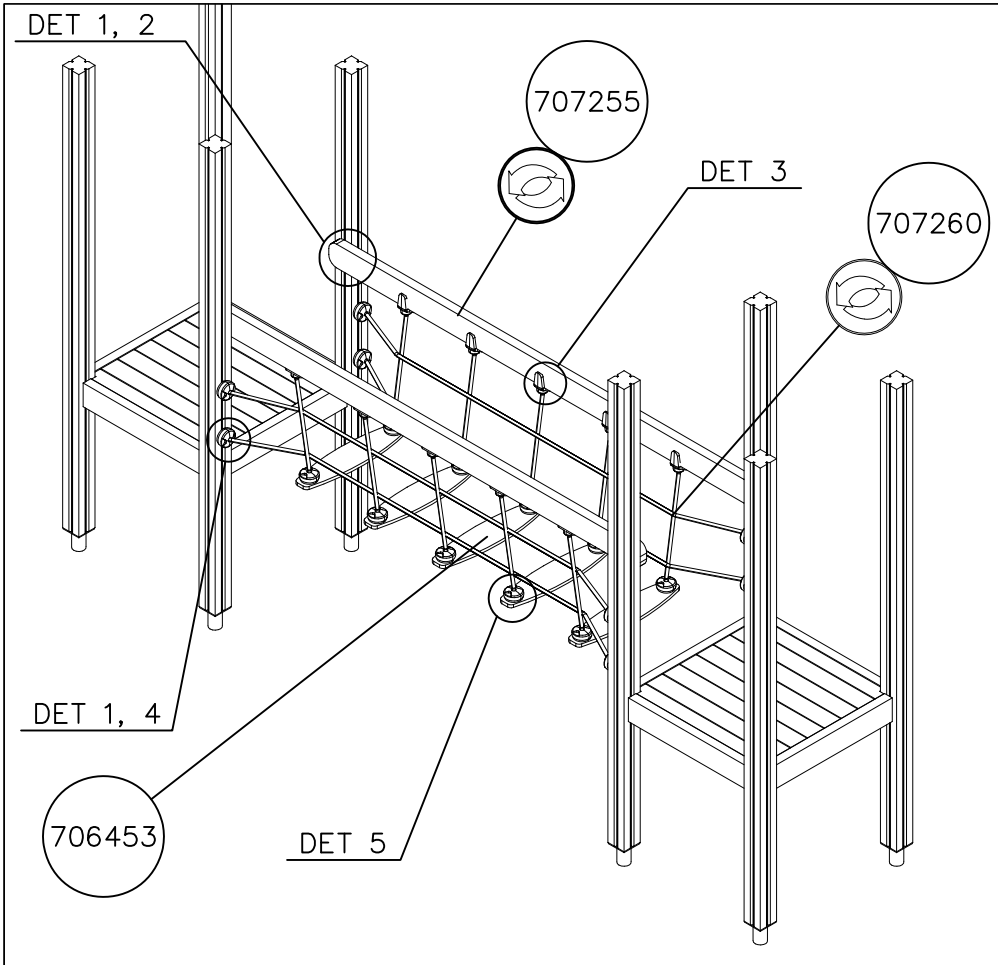


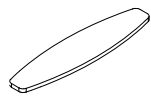
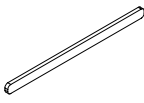
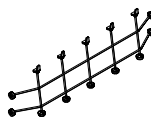
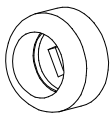
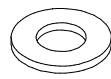

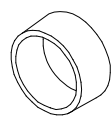

32x45x705

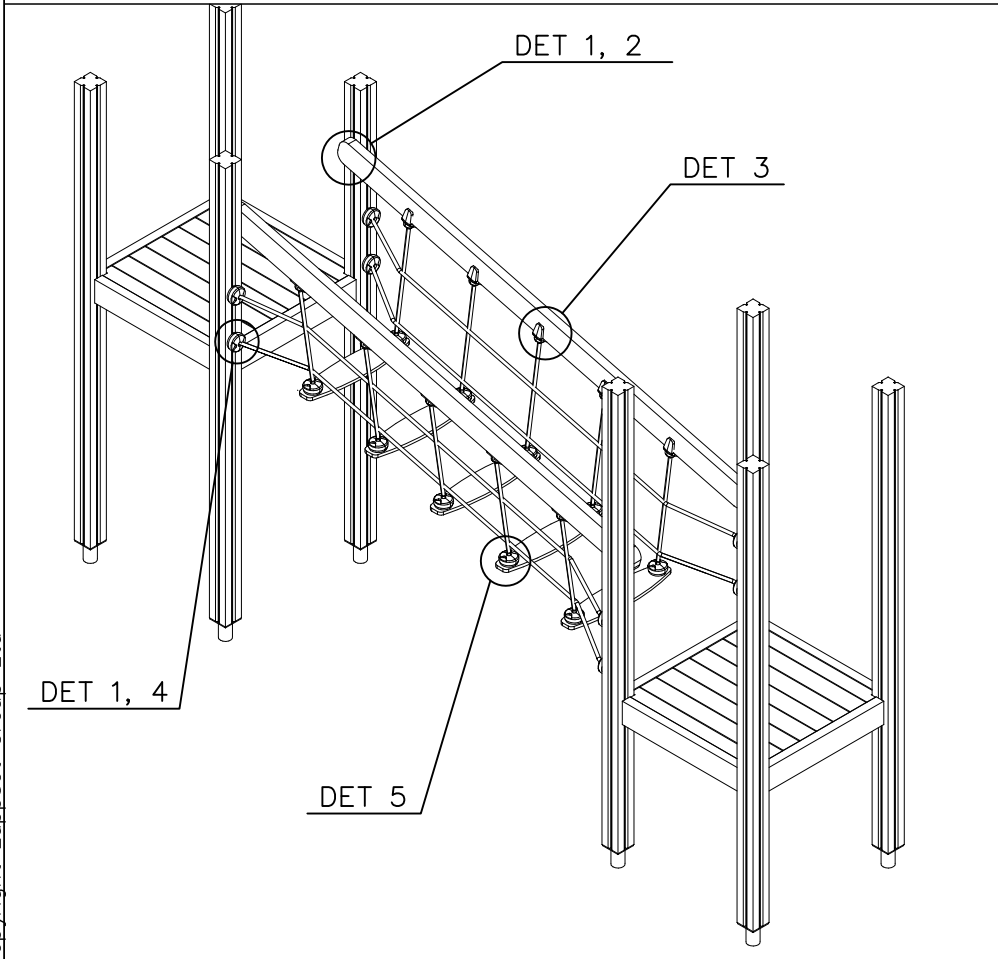
|            |             |
|------------|-------------|
| 706429-602 | DARK BROWN  |
| 706429-603 | LIGHT BROWN |
| 706429-604 | LIGHT GRAY  |


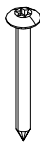
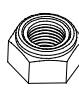
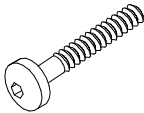


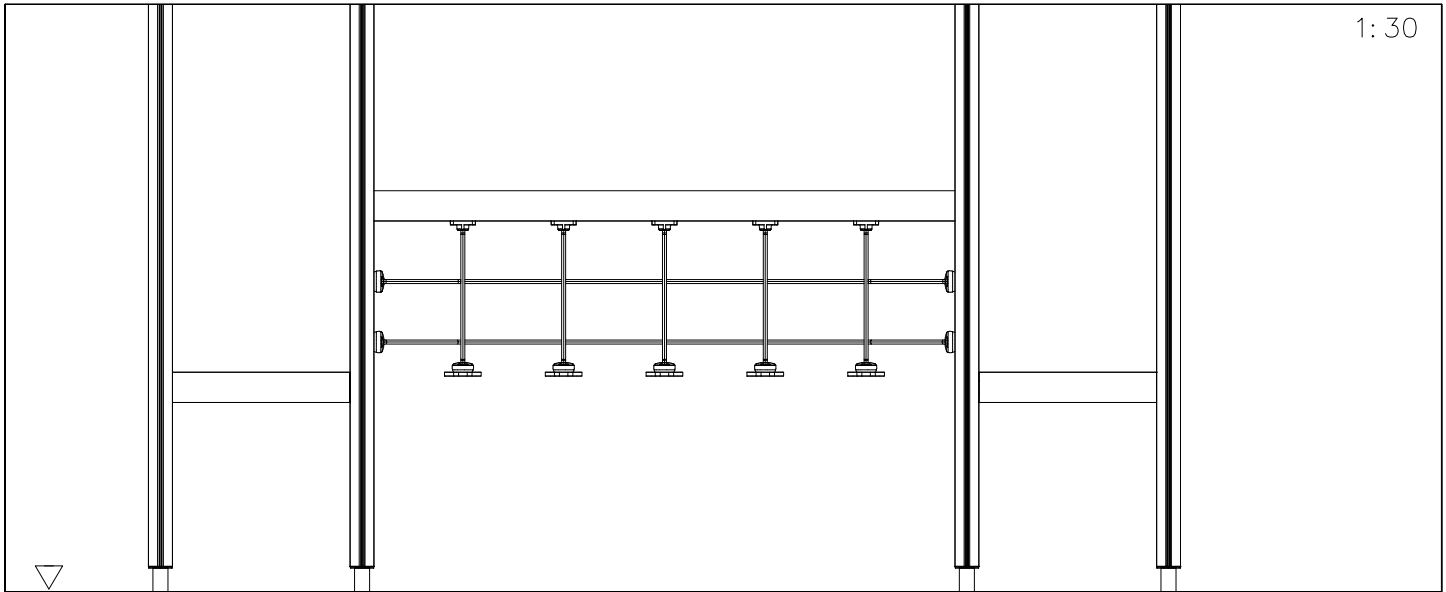




|   |     |   |     |
|---|-----|---|-----|
| ① 706453  | PCS | ② 707255  | PCS |
|    | 5   |    | 2   |
| 15x145x600  |     | 45x120x2480   |     |
| ③ 707260  | PCS | ④ 905083  | PCS |
|    | 2   |    | 4   |
| 2375x600  |     | Ø32   |     |
| ⑤ 980151  | PCS | ⑥ 909232  | PCS |
|    | 4   |    | 4   |
| Ø16/8.4   |     | 8x120   |     |
| ⑦ 905112  | PCS | ⑧ 900240  | PCS |
|  | 4   |  | 16  |
| Ø22   |     | Ø8x70   |     |

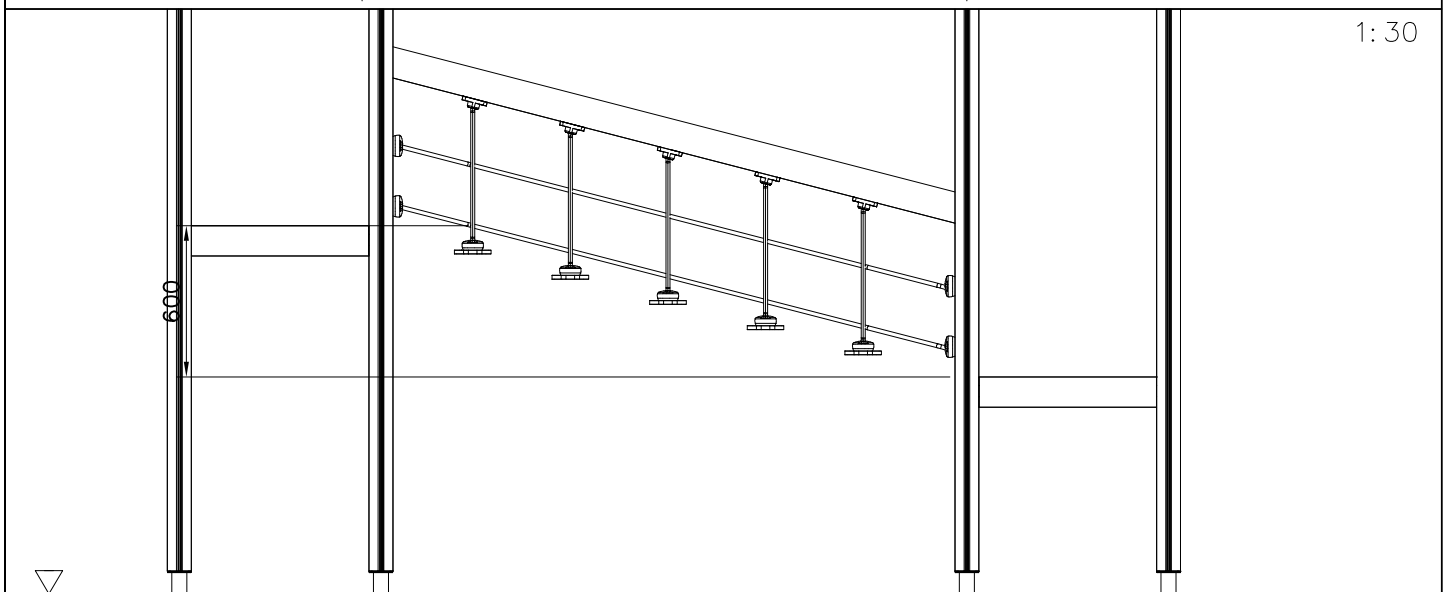


|   |     |   |     |
|---|-----|---|-----|
| ⑨ 980123  | PCS | ⑩ 980128  | PCS |
|  | 20  |  | 10  |
| Ø7x60   |     | Ø7x40   |     |
| ⑪ 980150  | PCS | ⑫ 901899  | PCS |
|  | 20  |  | 20  |
| M8  |     | M8x45   |     |
|   | PCS |   | PCS |
|   |     |   |     |
|   | PCS |   | PCS |
|   |     |   |     |



2400

1:30

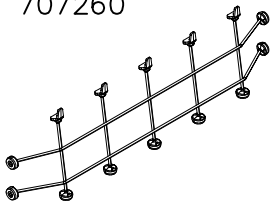


2320

1:30

### NET OPTIONS

707260

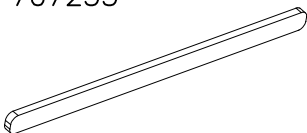


2375x600

- 707260-301 BLUE
- 707260-302 RED
- 707260-303 BEIGE
- 707260-304 GRAY
- 707260-305 BLACK
- 707260-306 YELLOW

### RAILING OPTIONS

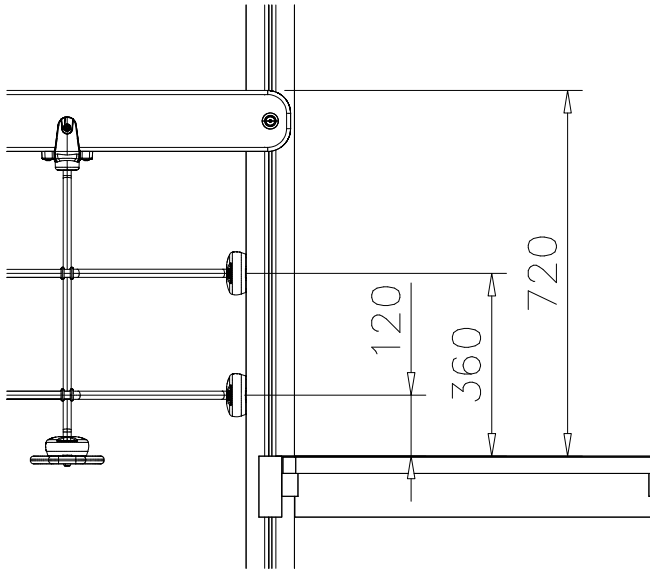
707255



45x120x2480

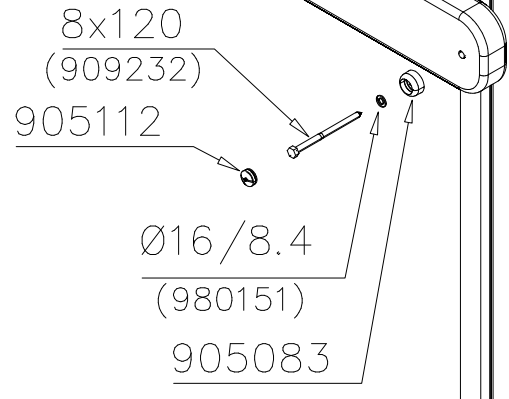
- |                      |                   |
|----------------------|-------------------|
| 707255-605 DARK GRAY | 707255-609 GREEN  |
| 707255-606 GRAY      | 707255-610 YELLOW |
| 707255-607 RED       | 707255-611 LIME   |
| 707255-608 BLUE      | 707255-612 FUXIA  |

DET 1

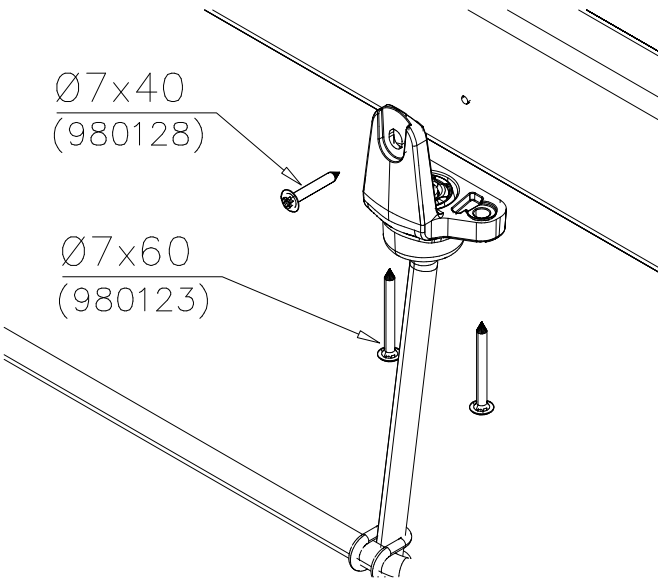


DET 2

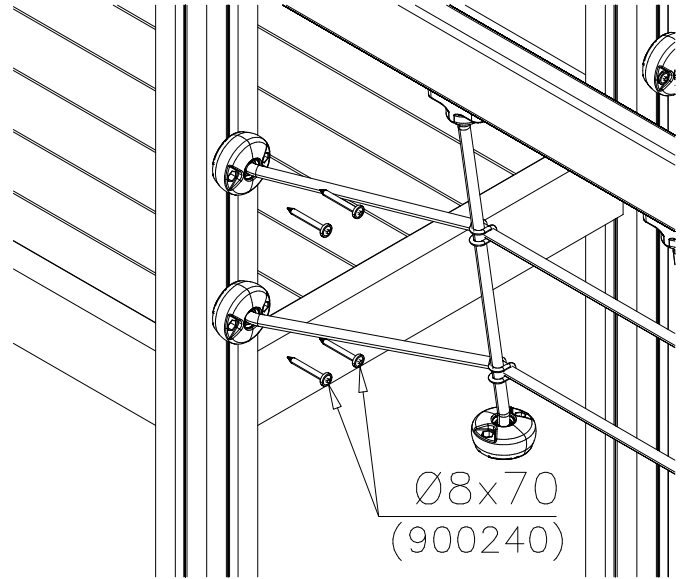
Note:  
in side  
Bridge



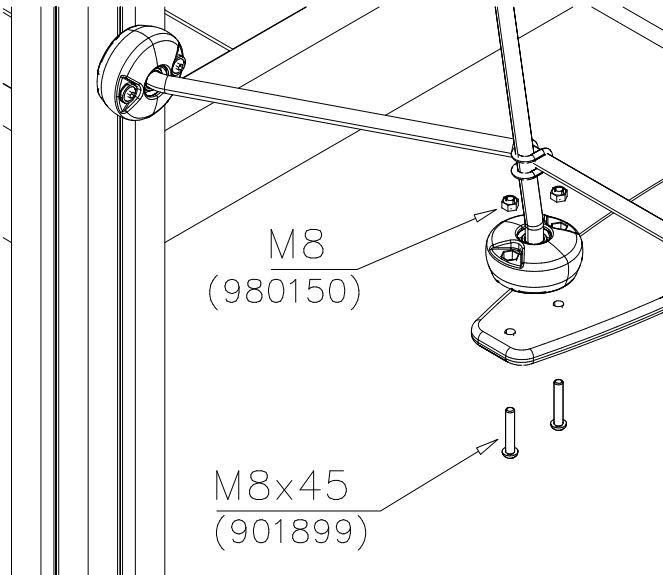
DET 3



DET 4

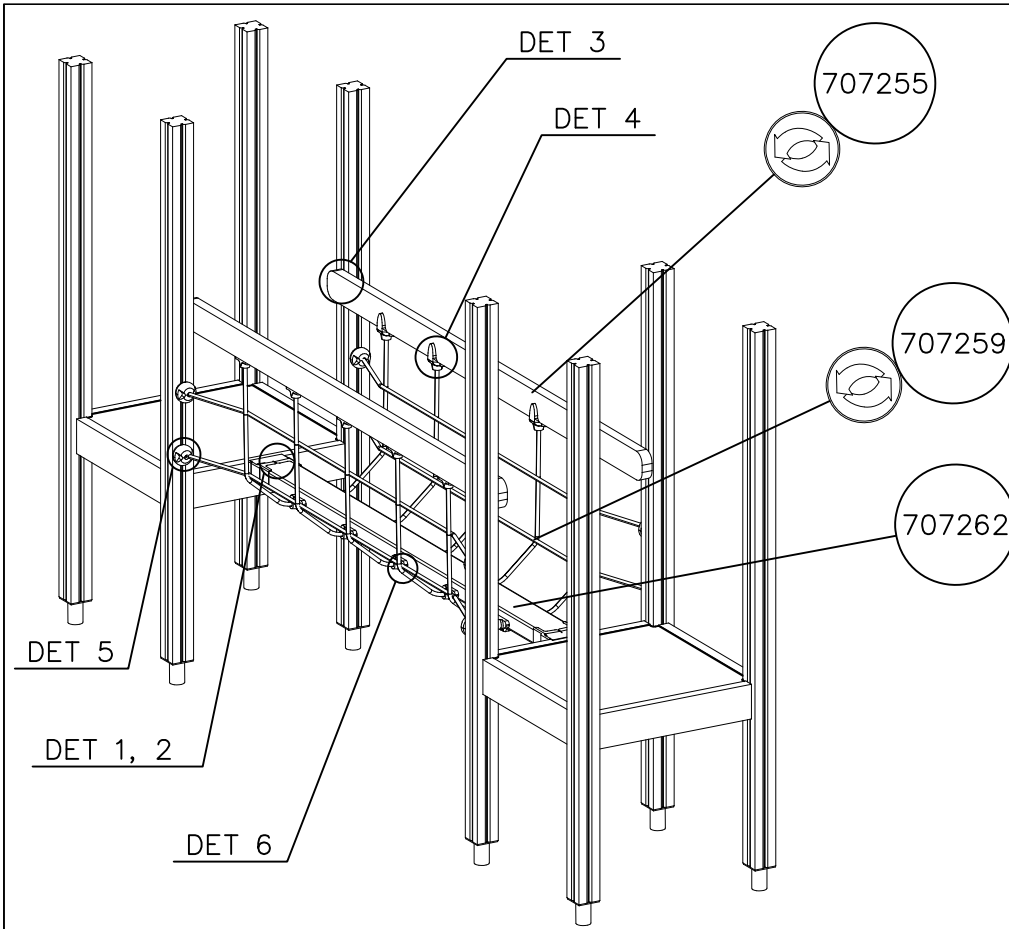


DET 5

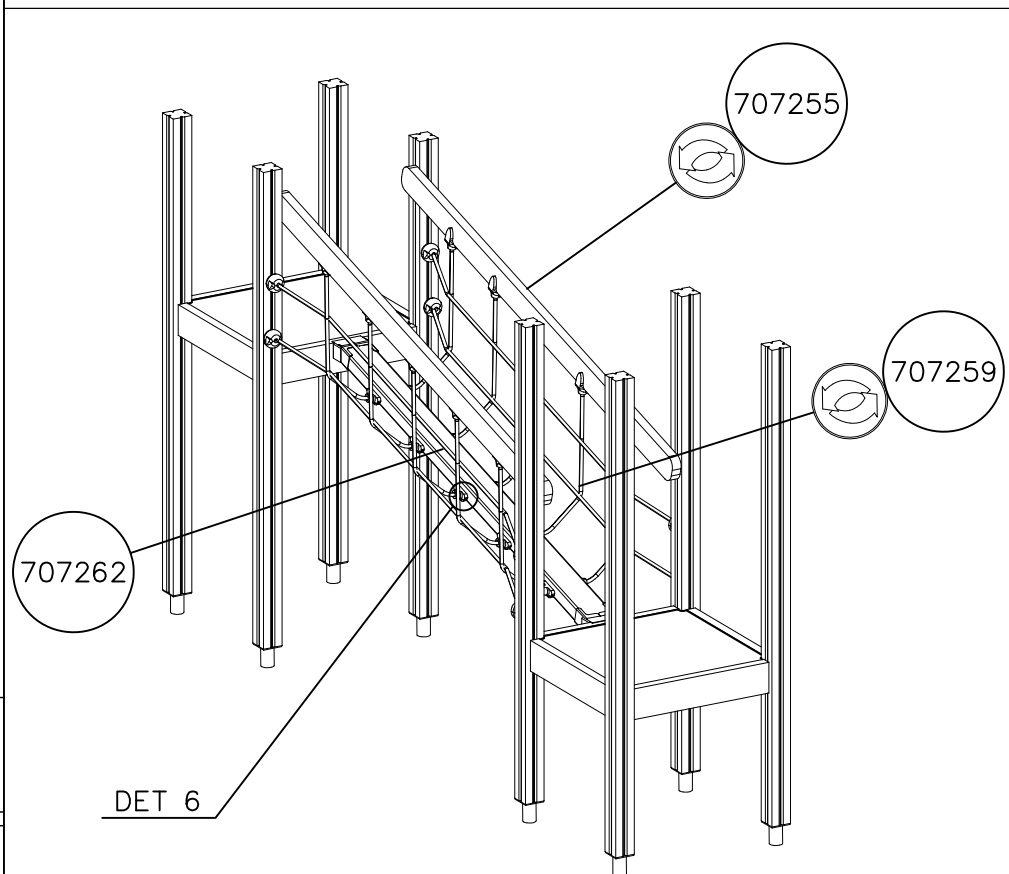


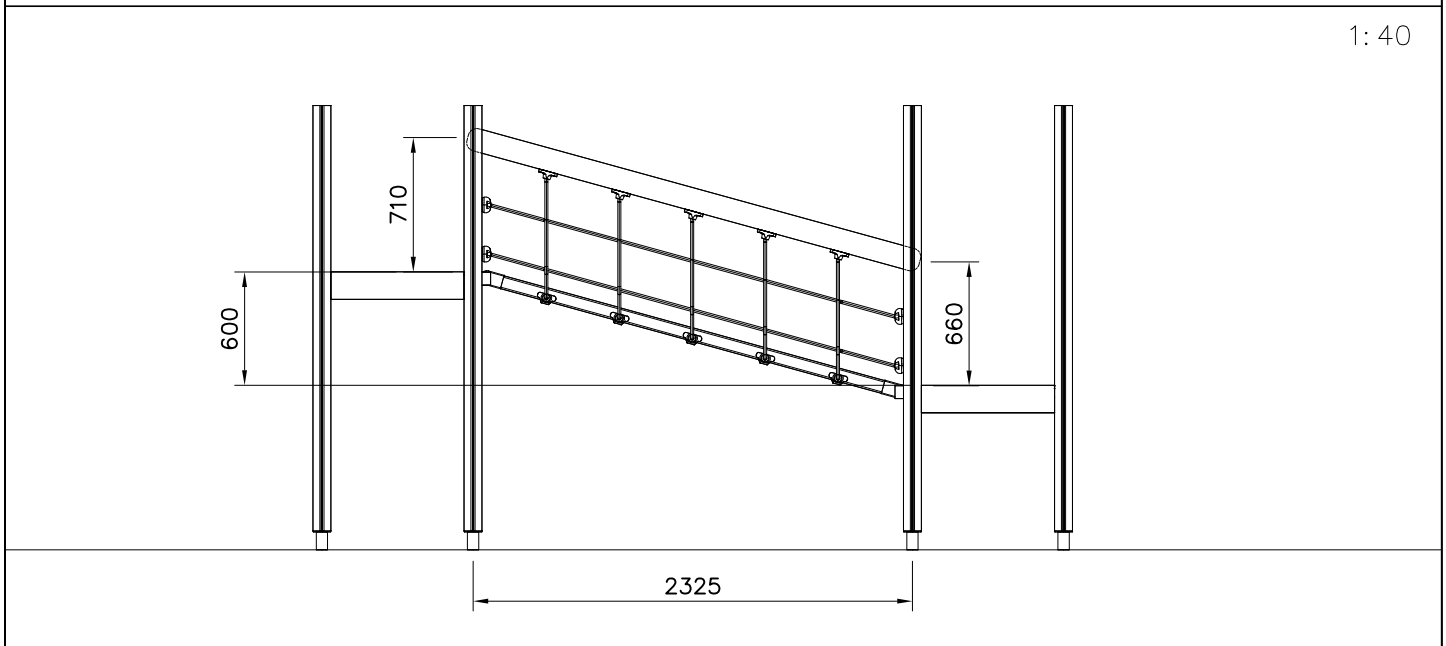
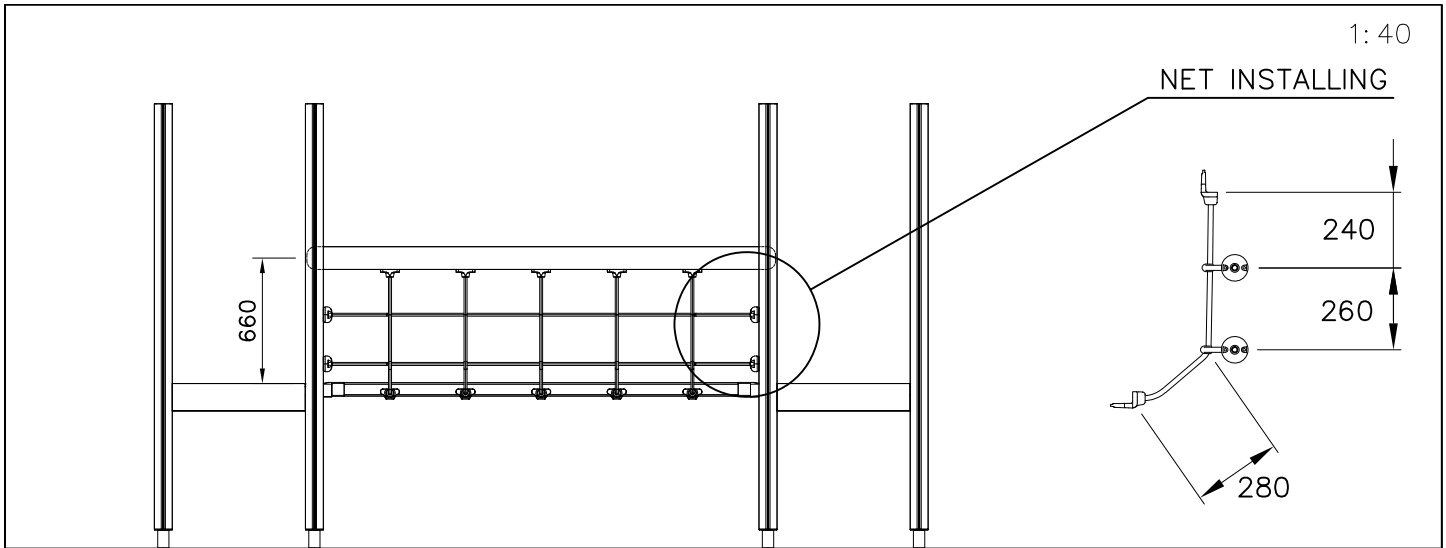
DET 6





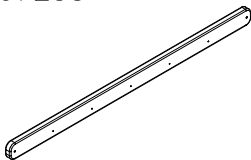
|             |     |          |     |
|-------------|-----|----------|-----|
| ① 707255    | PCS | ② 707259 | PCS |
|             | 2   |          | 2   |
| 45x120x2480 |     | 2340x800 |     |
| ③ 707262    | PCS | ④ 980123 | PCS |
|             | 1   |          | 40  |
|             |     | Ø7x60    |     |
| ⑤ 980128    | PCS | ⑥ 909232 | PCS |
|             | 28  |          | 4   |
| Ø7x40       |     | 8x120    |     |
| ⑦ 900240    | PCS | ⑧ 980151 | PCS |
|             | 16  |          | 4   |
| 8x70        |     | Ø16/8.4  |     |
| ⑨ 905083    | PCS | ⑩ 905112 | PCS |
|             | 4   |          | 8   |
| Ø32         |     | Ø22      |     |
|             | PCS |          | PCS |
|             |     |          |     |
|             | PCS |          | PCS |
|             |     |          |     |
|             | PCS |          | PCS |
|             |     |          |     |





**BOOM OPTIONS**

707255



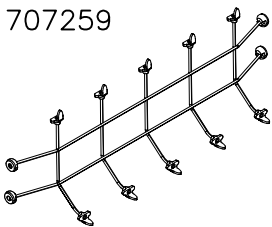
45x120x2480

- 707255-602 DARK BROWN
- 707255-603 LIGHT BROWN
- 707255-604 LIGHT GRAY
- 707255-605 DARK GRAY
- 707255-606 GRAY
- 707255-607 RED

- 707255-608 BLUE
- 707255-609 GREEN
- 707255-610 YELLOW
- 707255-611 LIME
- 707255-612 FUXIA

**NET OPTIONS**

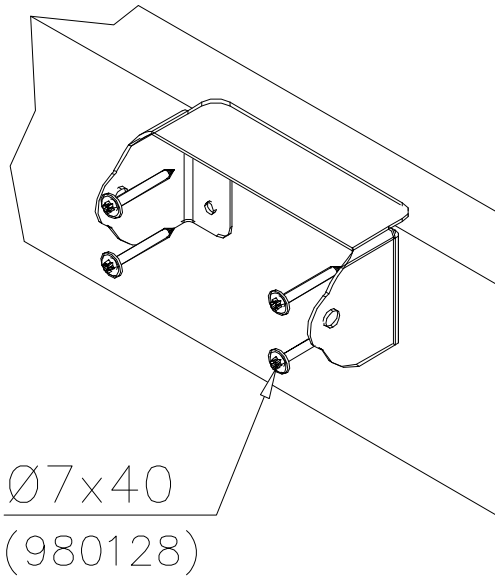
707259



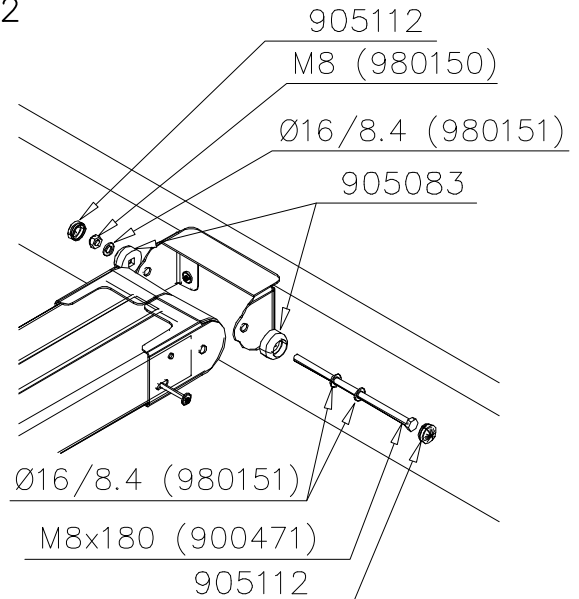
2340x800

- 707259-301 BLUE
- 707259-302 RED
- 707259-303 BEIGE
- 707259-304 GRAY
- 707259-305 BLACK
- 707259-306 YELLOW

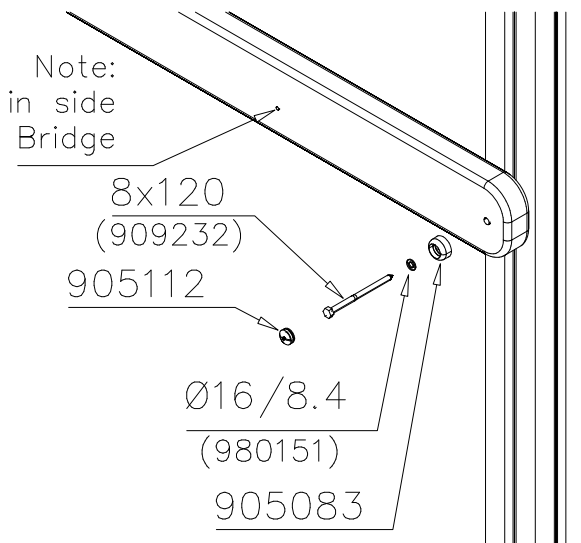
DET 1



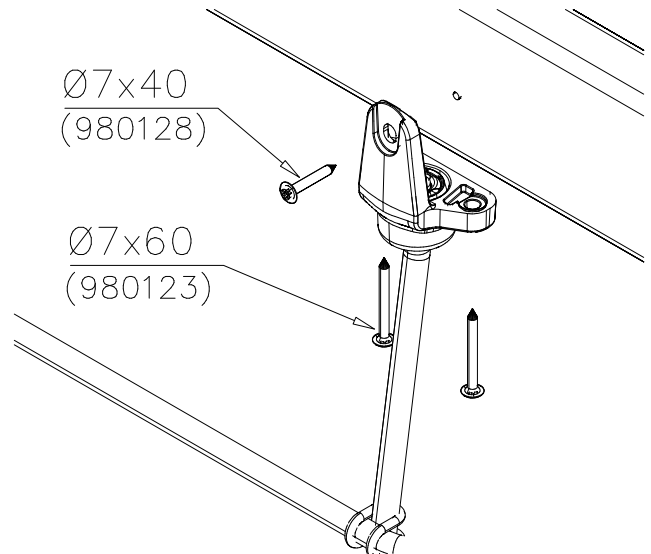
DET 2



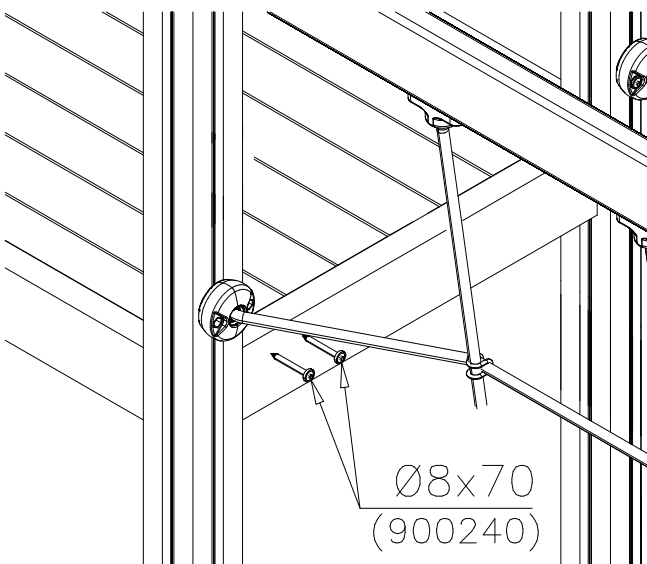
DET 3



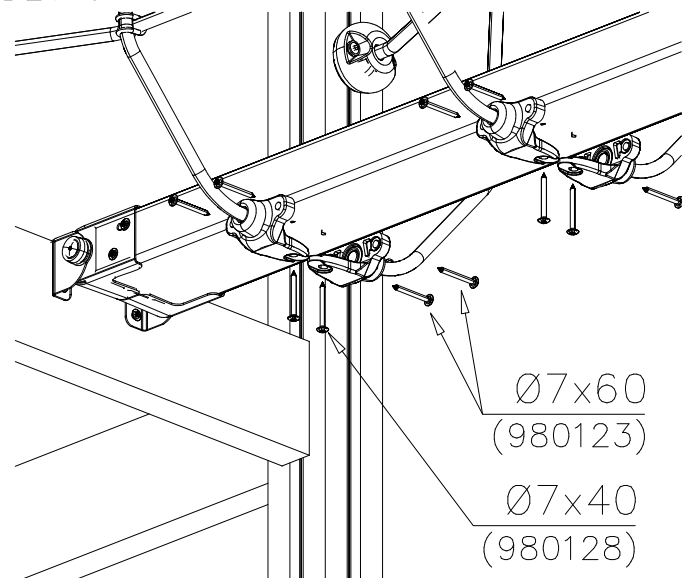
DET 4

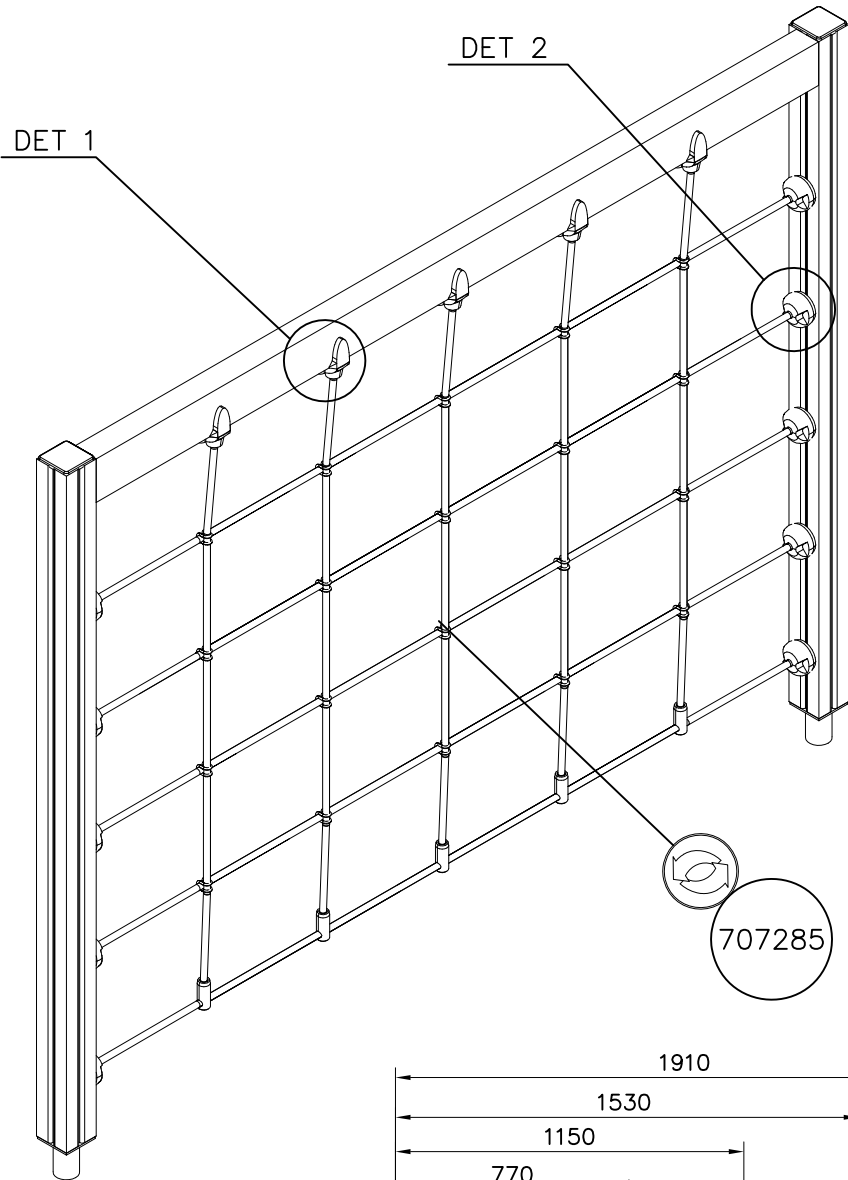


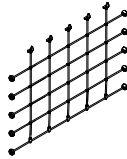



DET 5



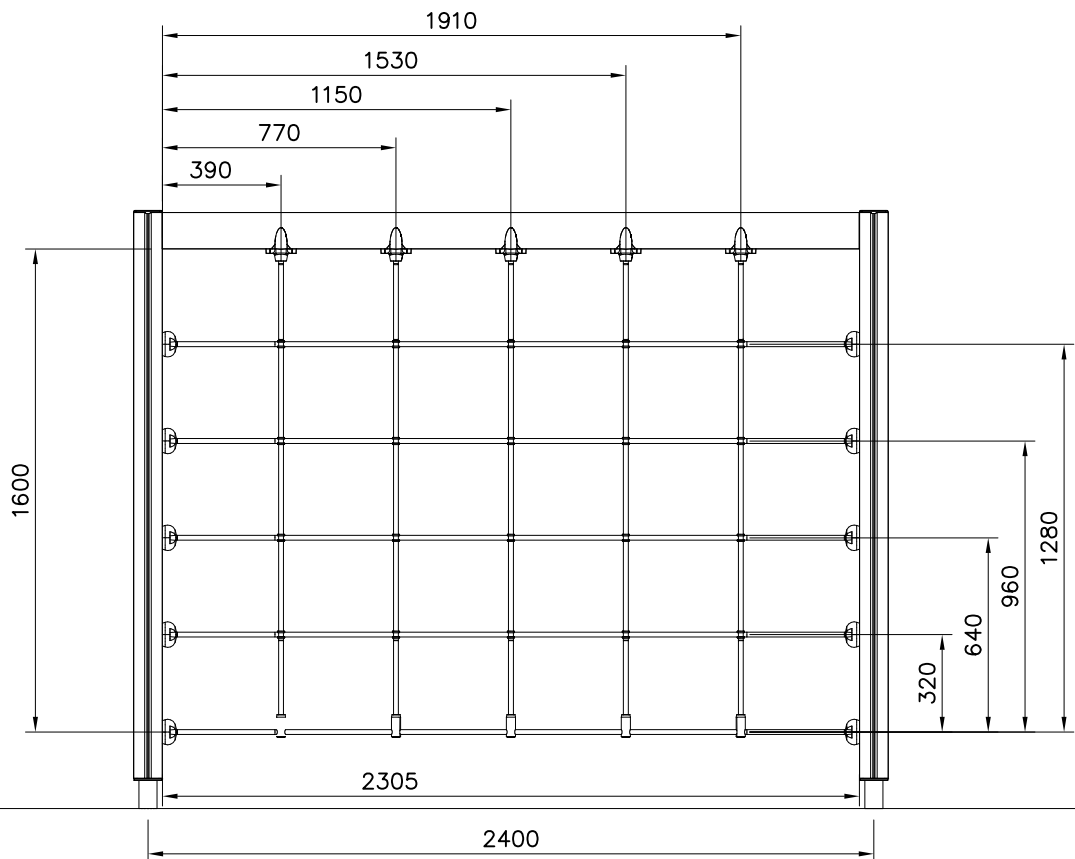
DET 6





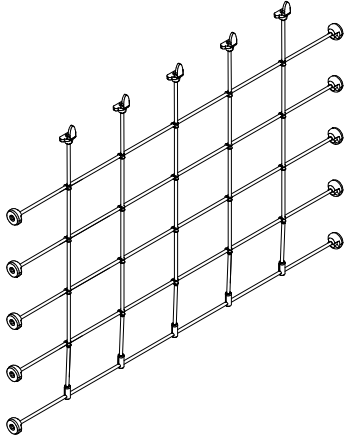
|  |          |  |           |
|--|----------|--|-----------|
| ① 707285<br><br>1600x2305 | PCS<br>1 | ② 900240<br><br>Ø8x70 | PCS<br>20 |
| ③ 980128<br><br>Ø7x40     | PCS<br>5 | ④ 980123<br><br>Ø7x60 | PCS<br>10 |
|  | PCS      |  | PCS       |
|  | PCS      |  | PCS       |

1:25



NET OPTIONS

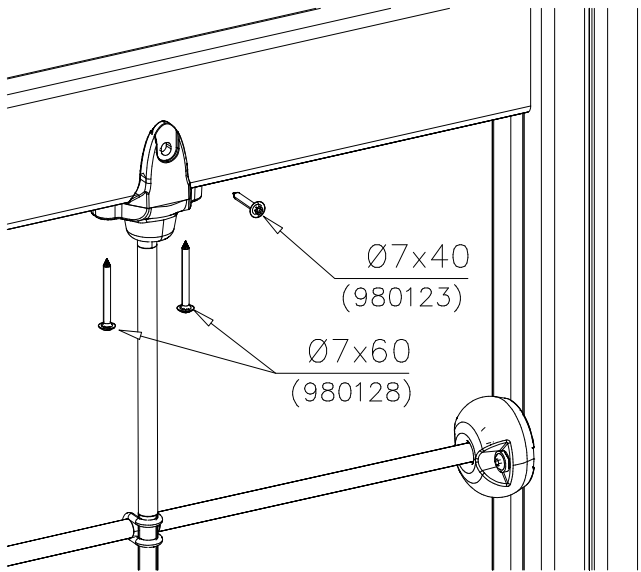
707285



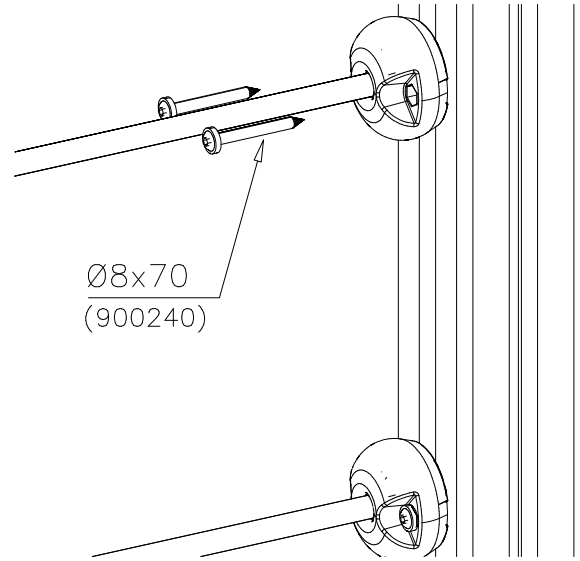
1600x2305

- |            |        |
|------------|--------|
| 707285-301 | BLUE   |
| 707285-302 | RED    |
| 707285-303 | BEIGE  |
| 707285-304 | GREY   |
| 707285-305 | BLACK  |
| 707285-306 | YELLOW |

DET 1



DET 2





|             |     |          |     |
|-------------|-----|----------|-----|
| ① 903176    | PCS | ② 909850 | PCS |
|             | 4   |          | 4   |
|             |     | M8x25    |     |
| ③ 909256    | PCS | ④ 909633 | PCS |
|             | 8   |          | 4   |
| Ø16/8.4x1.6 |     | M8       |     |
| ⑤ 980123    | PCS |          | PCS |
|             | 4   |          |     |
| Ø7x60       |     |          |     |

**\*Note:**  
No gaps between:  
8–25mm  
89–230mm

| COLOR OPTIONS |            |
|---------------|------------|
| -701          | BLUE       |
| -702          | YELLOW     |
| -703          | LIME       |
| -704          | DARK GRAY  |
| -705          | LIGHT GRAY |
| -706          | RED        |
| -707          | GREEN      |
| -708          | FUXIA      |

GAME WALL OPTIONS

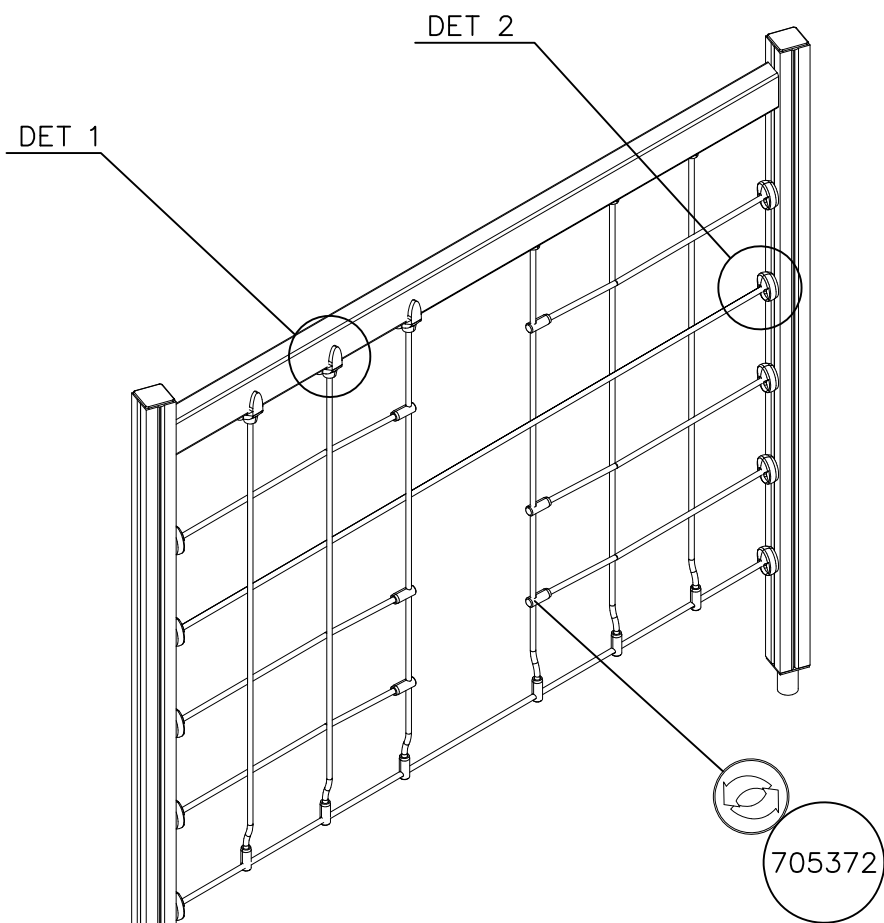
|   |   |  |  |
|---|---|--|--|
| 706766  | 706772  | 706308   | 707453   |
|    |    |    |   |
| 640x702   | 640x702   | 640x702  | 640x702  |
| 707209  | 705705  | 707433   | 707386   |
|   |   |   |  |
| 640x702   | 640x702   | 640x702  | 640x702  |
| 709403  | 709358  | 709405   |  |
|  |  |  |  |
| 640x702   | 640x702   | 420x702  |  |

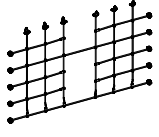



DET 1



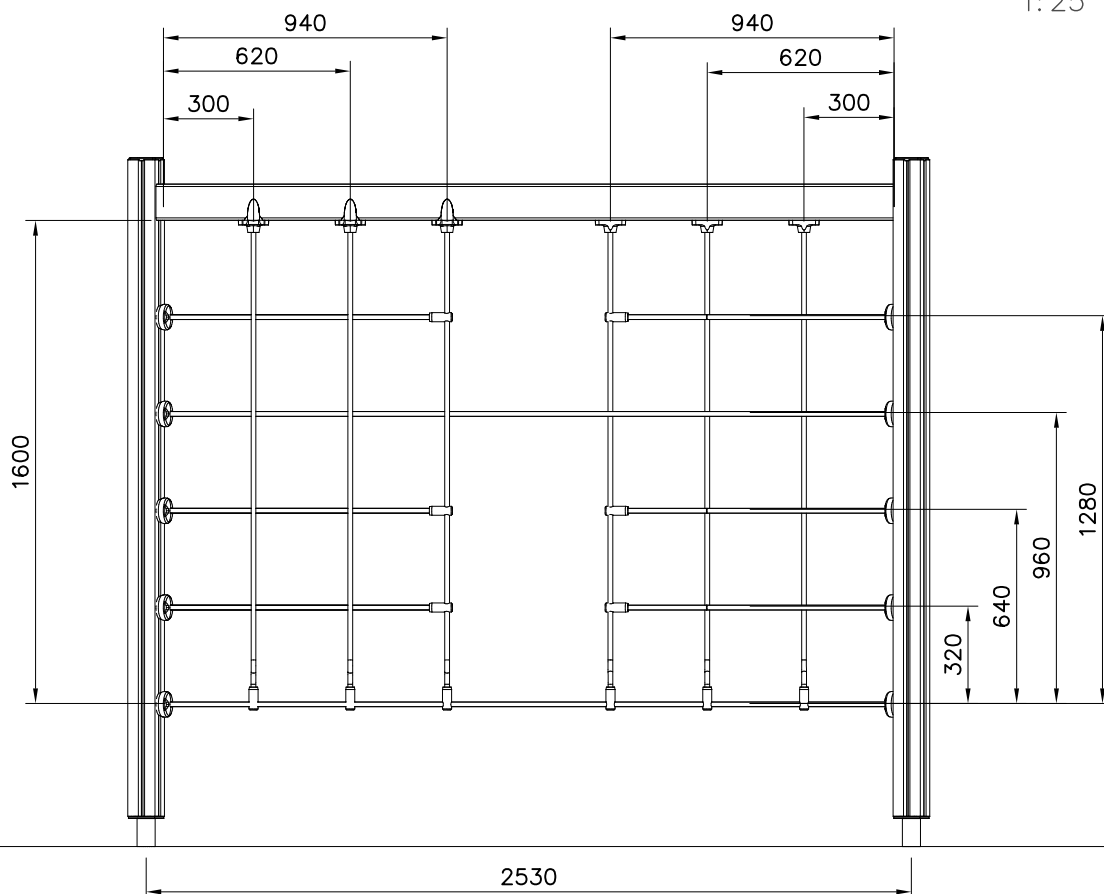
DET 2





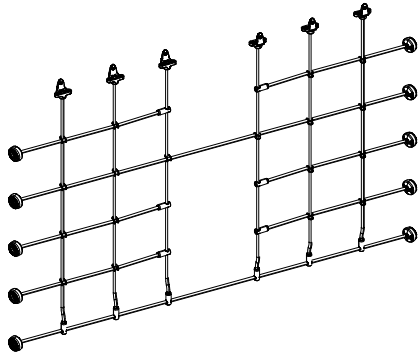
|   |     |   |     |
|---|-----|---|-----|
| ① 705372  | PCS | ② 900240  | PCS |
|  | 1   |  | 20  |
| 1600x2440   |     | Ø8x70   |     |
| ③ 980128  | PCS | ④ 980123  | PCS |
|  | 6   |  | 12  |
| Ø7x40   |     | Ø7x60   |     |
|   | PCS |   | PCS |
|   |     |   |     |
|   | PCS |   | PCS |
|   |     |   |     |

1:25



NET OPTIONS

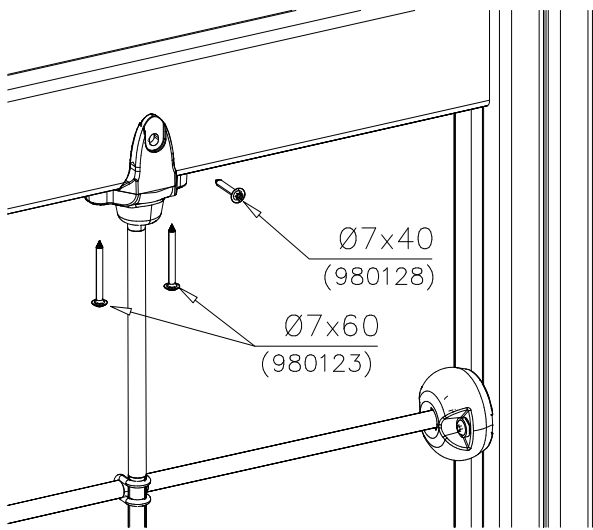
705372



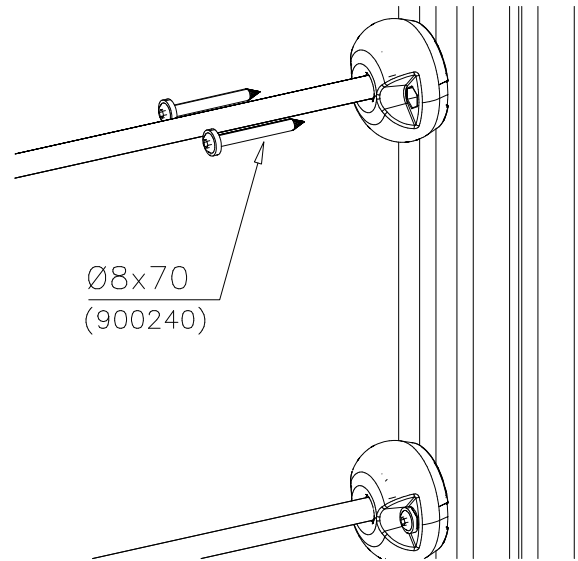
1600x2440

- |            |        |
|------------|--------|
| 705372-301 | BLUE   |
| 705372-302 | RED    |
| 705372-303 | BEIGE  |
| 705372-304 | GREY   |
| 705372-305 | BLACK  |
| 705372-306 | YELLOW |

DET 1

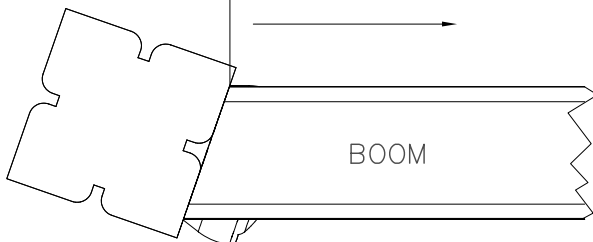
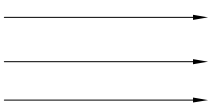


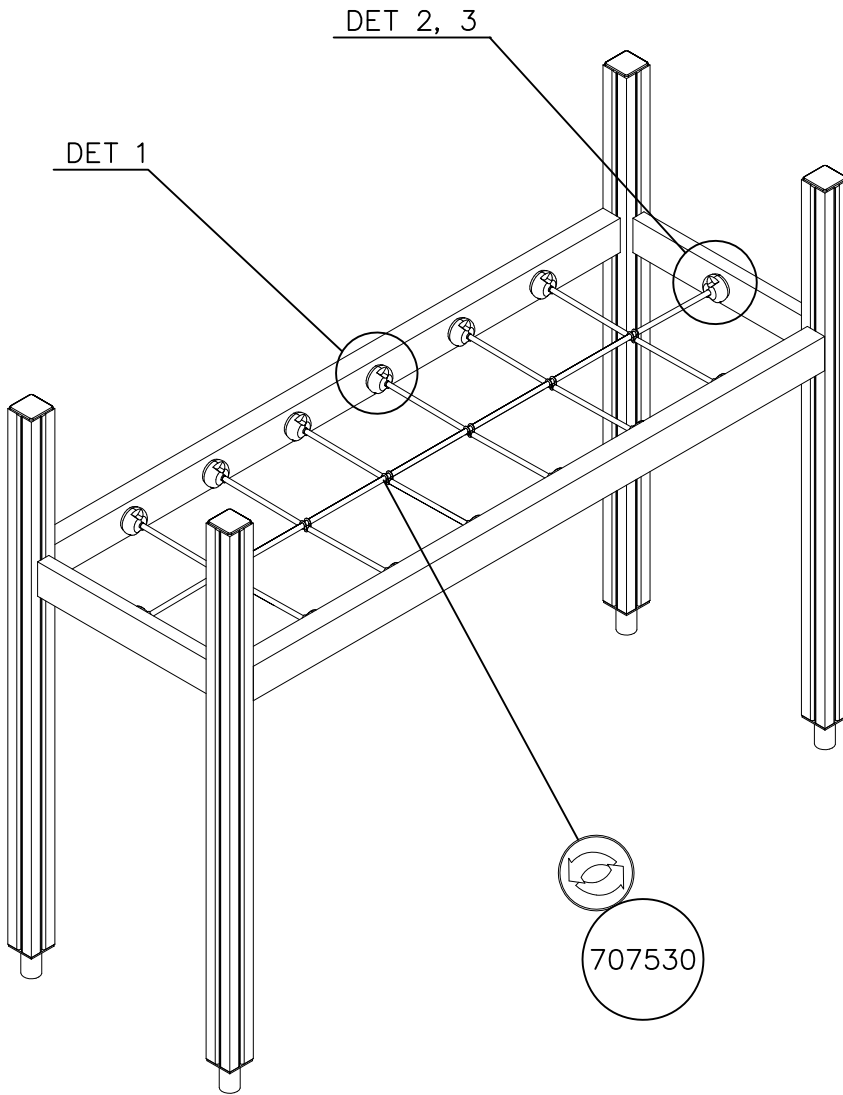
DET 2

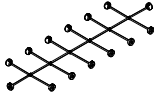

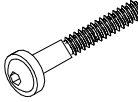



INFO:

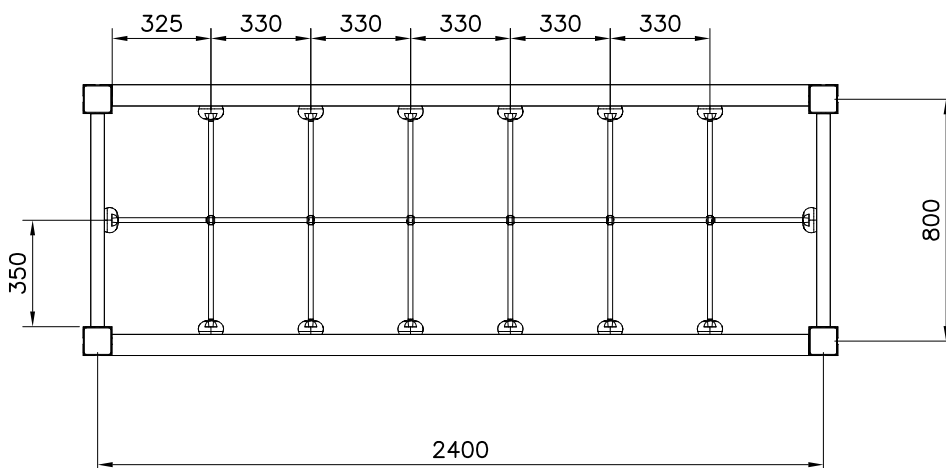
Asennusmitta /  
Installation  
dimension





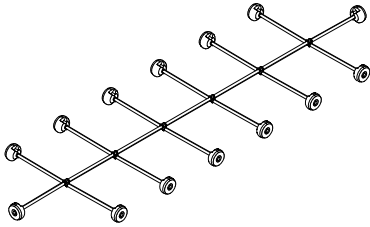
|   |     |   |     |
|---|-----|---|-----|
| ① 707530  | PCS | ② 900240  | PCS |
|  | 1   |  | 24  |
| 755x2355  |     | Ø8x70   |     |
| ③ 909867  | PCS | ④ 980150  | PCS |
|  | 4   |  | 10  |
| M8x70   |     | M8  |     |
|   | PCS |   | PCS |
|   |     |   |     |
|   | PCS |   | PCS |
|   |     |   |     |

1:25



NET OPTIONS

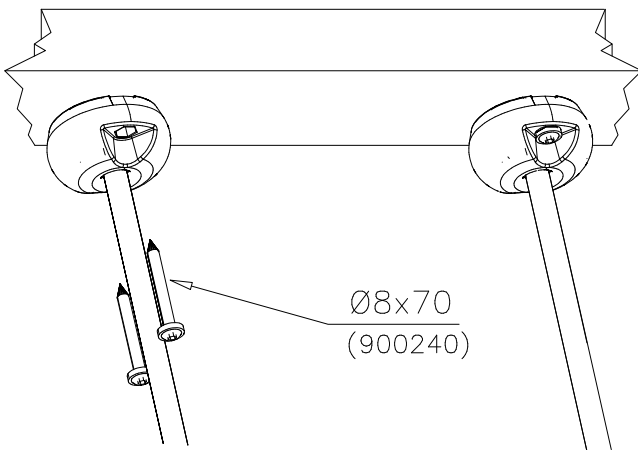
707530



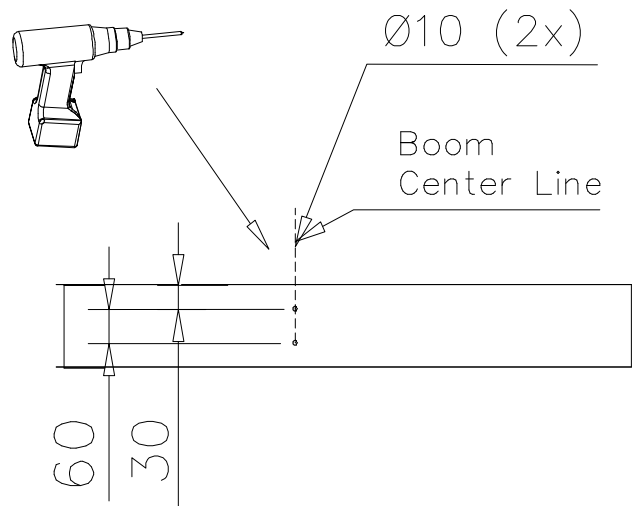
755x2355

- |            |        |
|------------|--------|
| 707530-301 | BLUE   |
| 707530-302 | RED    |
| 707530-303 | BEIGE  |
| 707530-304 | GREY   |
| 707530-305 | BLACK  |
| 707530-306 | YELLOW |

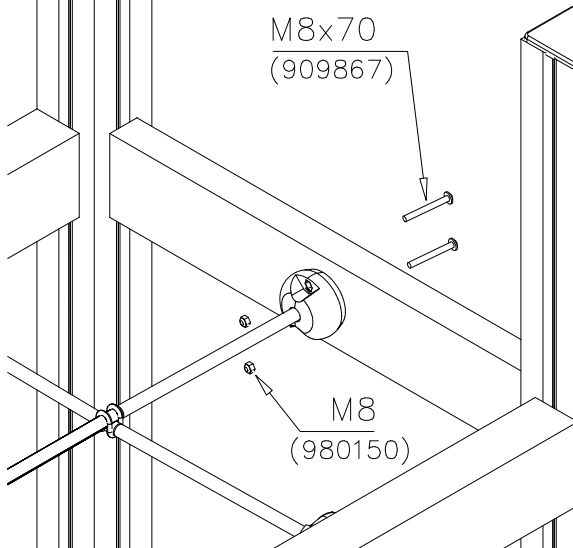
DET 1



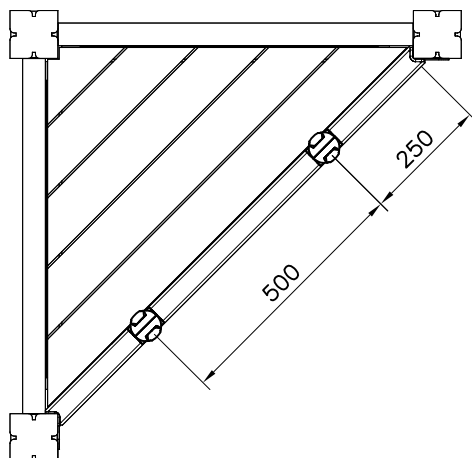
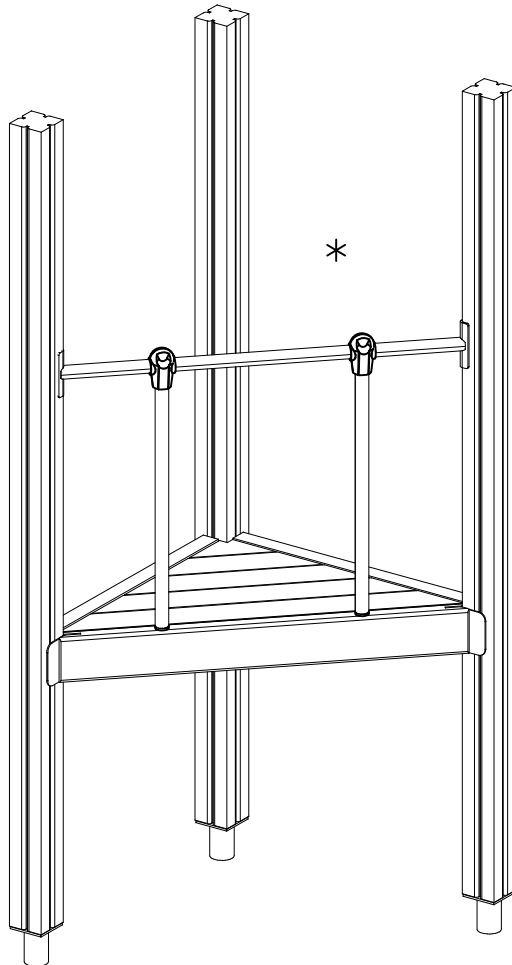
DET 2





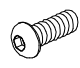



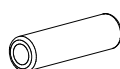






DET 3

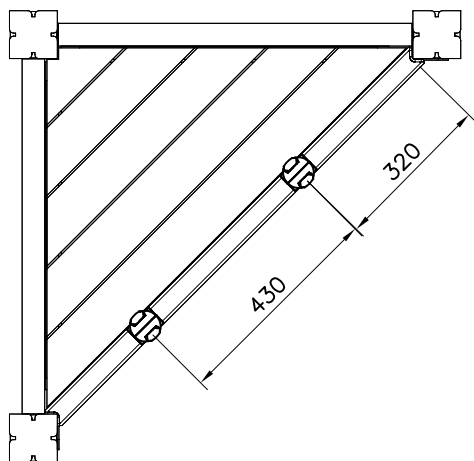
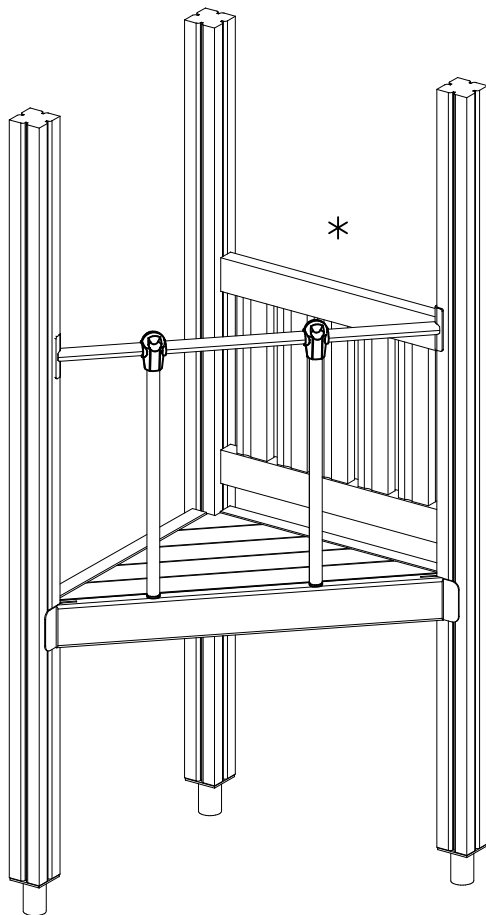


OPTION 1. No wall on the sides

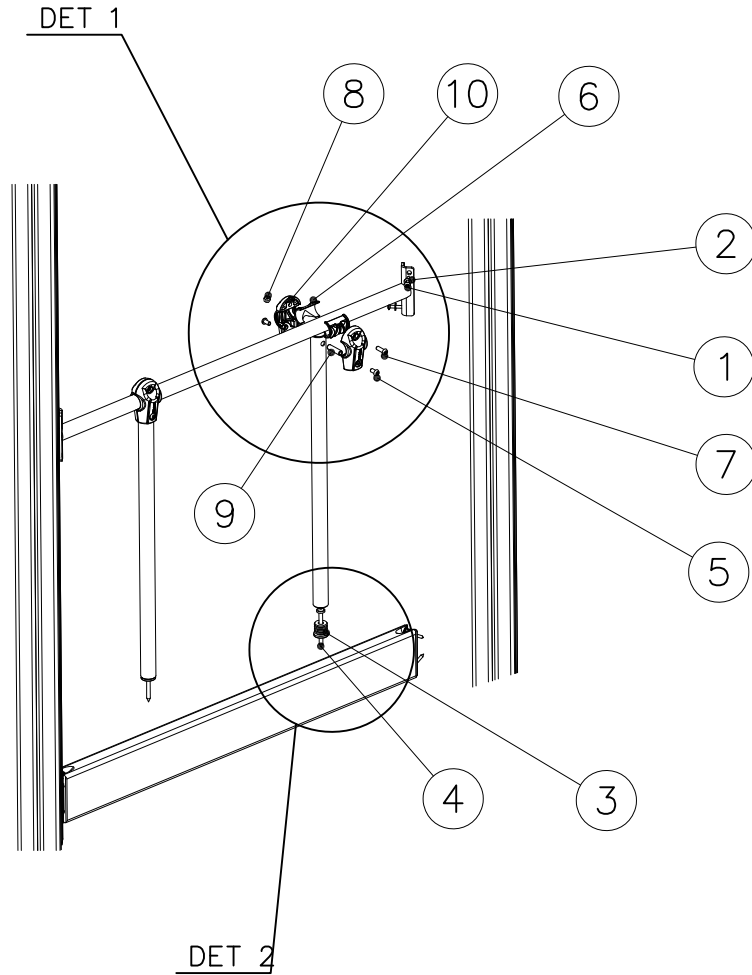


|   |   |     |   |   |     |
|---|---|-----|---|---|-----|
| ① | 980128  | PCS | ② | 909256  | PCS |
|   |    | 4   |   |    | 4   |
|   | 93x93x2150  |     |   | Ø16/8.4   |     |
| ③ | 908057  | PCS | ④ | 903093  | PCS |
|   |    | 2   |   |    | 2   |
|   | Ø32/29-L5/30  |     |   | Ø8x90   |     |
| ⑤ | 900342  | PCS | ⑥ | 901900  | PCS |
|   |    | 4   |   |    | 4   |
|   | M8x16   |     |   | 20.5x36.2x56  |     |
| ⑦ | 909850  | PCS | ⑧ | 980150  | PCS |
|   |  | 2   |   |  | 2   |
|   | M8x25   |     |   | M8  |     |
| ⑨ | 901182  | PCS | ⑩ | 901902  | PCS |
|   |  | 2   |   |  | 4   |
|   | Ø11/M8x40   |     |   | 30.7x60.9x100   |     |
|   |   | PCS |   |   | PCS |
|   |   |     |   |   |     |
|   |   | PCS | ○ | 908044  | PCS |
|   |   |     |   |  | 2   |
|   |   |     |   | Ø33.7x679   |     |
| ○ | 911529  | PCS | ○ | 907920  | PCS |
|   |  | 1   |   |  | 1   |
|   |   | OR  |   |   |     |

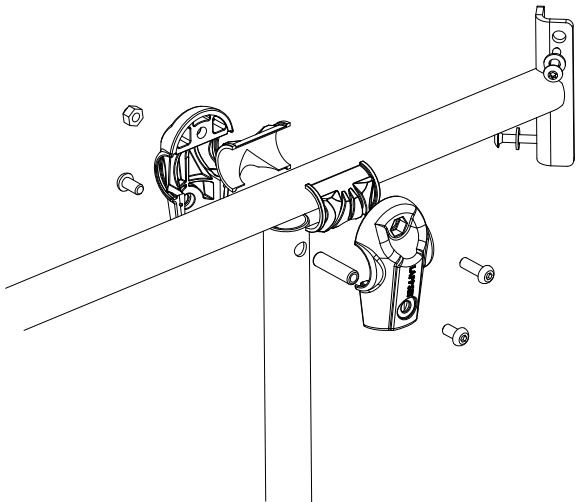
OPTION 2. Wall on either side (move vertical bar 70mm)



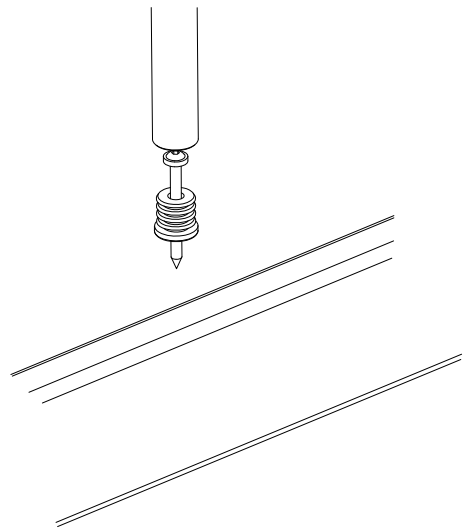


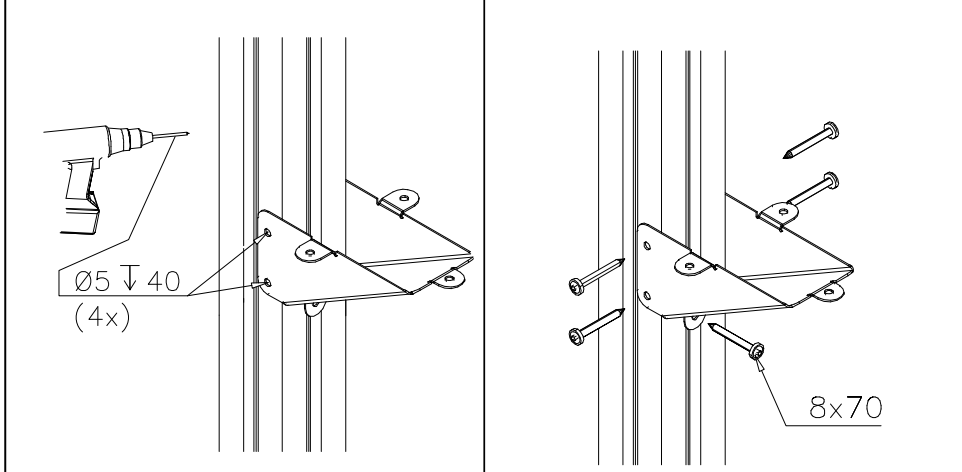
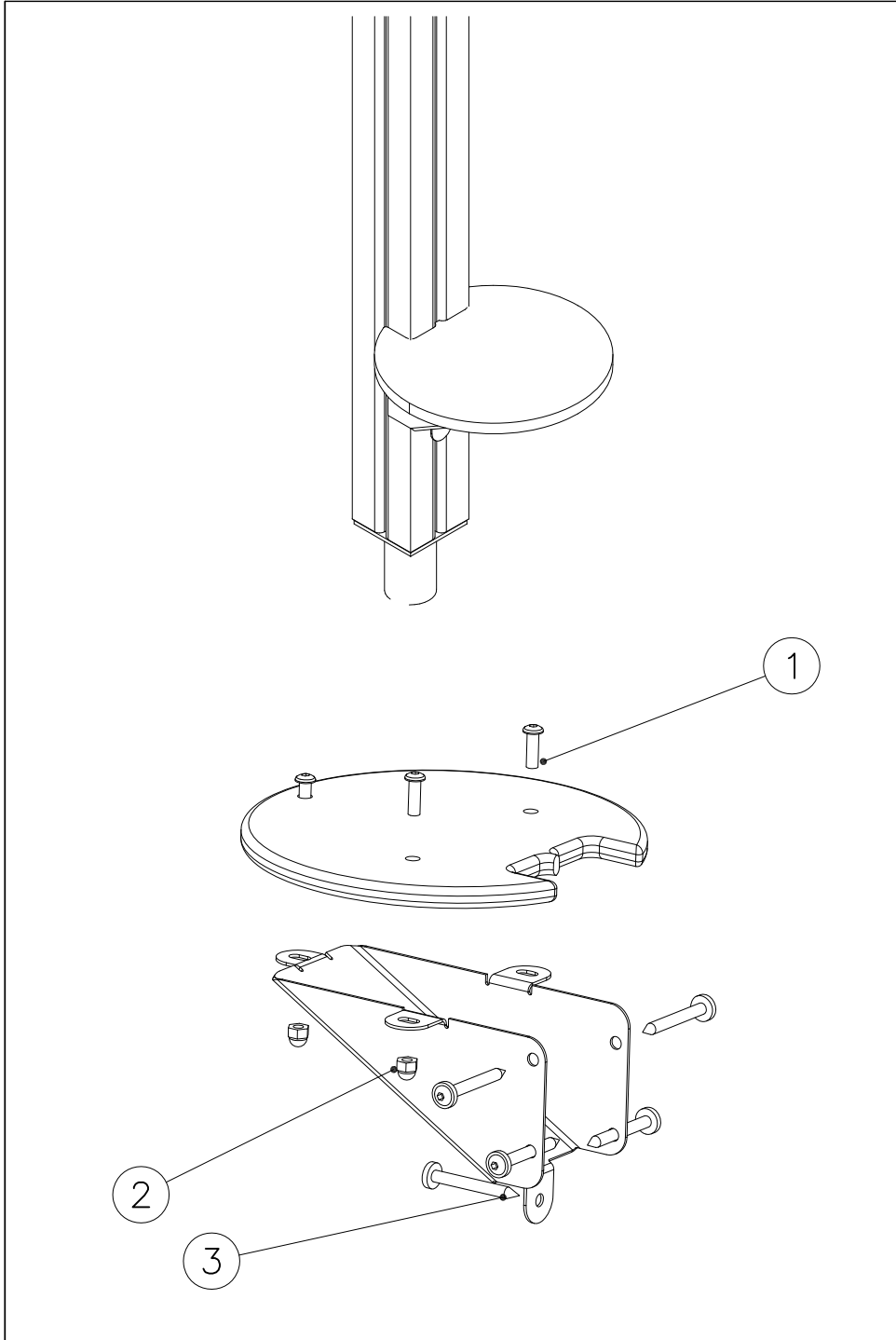





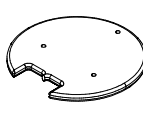
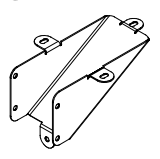
DET 1



DET 2

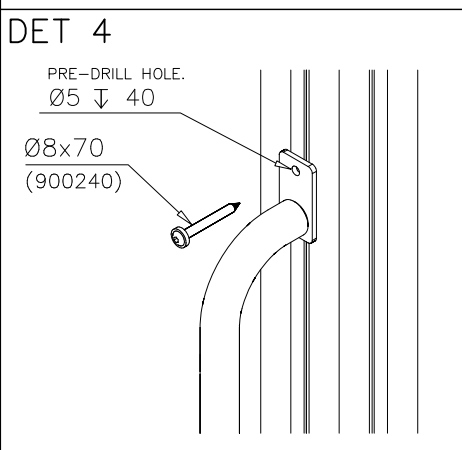
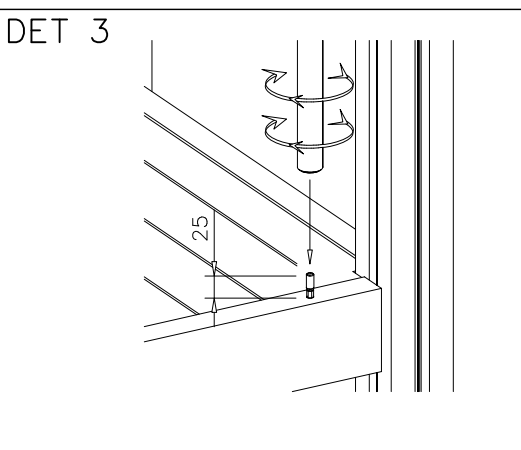
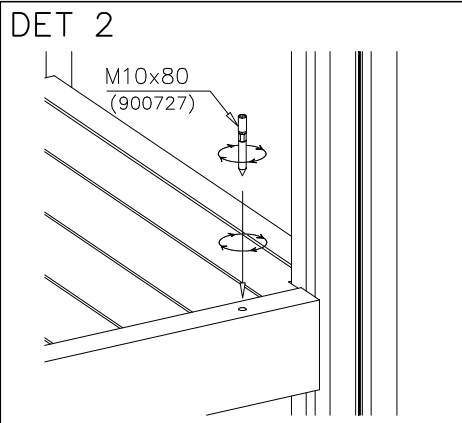
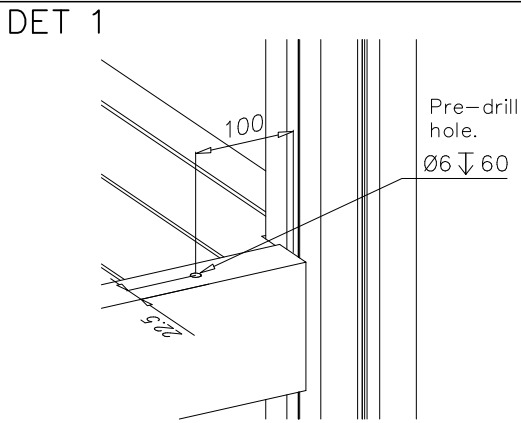


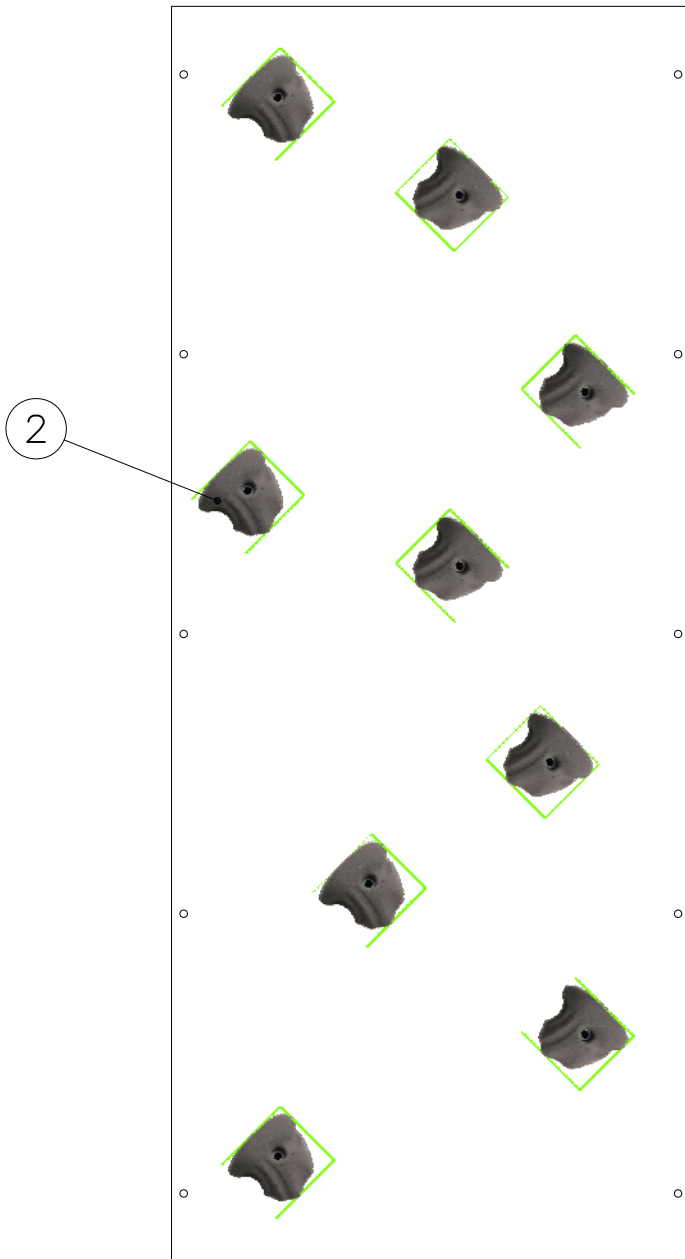


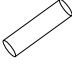
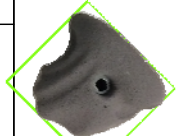
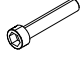
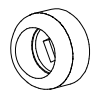




|   |   |     |   |   |     |
|---|---|-----|---|---|-----|
| ① | 909850  | PCS | ② | 909633  | PCS |
|   |    | 3   |   |    | 3   |
|   | M8x25   |     |   | M8  |     |
| ③ | 900240  | PCS |   |   | PCS |
|   |    | 5   |   |   |     |
|   | Ø8x70   |     |   |   |     |
|   |   | PCS |   |   | PCS |
| ○ | 707696  | PCS | ○ | 902086  | PCS |
|   |  | 1   |   |  | 1   |
|   | 15x265x275  |     |   | 148x172x254   |     |
|   |   | PCS |   |   | PCS |
|   |   | PCS |   |   | PCS |
|   |   | PCS |   |   | PCS |
|   |   | PCS |   |   | PCS |



|   |     |   |     |
|---|-----|---|-----|
| ① 900240  | PCS | ② 900727  | PCS |
|  | 1   |  | 1   |
| Ø8x70   |     | M10x80  |     |
|   | PCS |   | PCS |
|   |     |   |     |
|   |     |   |     |
| ③ 907688  | PCS | ③ 907701  | PCS |
|  | 1   |  | 1   |
| 765   |     | 545   |     |
|   | PCS |   | PCS |
|   |     |   |     |
|   |     |   |     |
|   | PCS |   | PCS |
|   |     |   |     |
|   |     |   |     |
|   |     |   |     |
|   | PCS |   | PCS |
|   |     |   |     |
|   |     |   |     |
|   |     |   |     |
|   | PCS |   | PCS |
|   |     |   |     |
|   |     |   |     |





|   |   |     |   |        |     |
|---|---|-----|---|--------|-----|
| ① | 904336  | PCS | ②*  | 906746 | PCS |
|   |   | 9   |   |        | 9   |
|   |    |     |  |        |     |
|   | Ø6x20   |     | Size L, Grey  |        |     |
| ③ | 902232  | PCS | ④   | 905090 | PCS |
|   |   | 9   |   |        | 9   |
|   |    |     |  |        |     |
|   | M10x55  |     | Ø45   |        |     |
| ⑤ | 901302  | PCS | ⑥   | 909637 | PCS |
|   |   | 9   |   |        | 9   |
|   |    |     |  |        |     |
|   | Ø20/10.5  |     | M10   |        |     |
| ⑦ | 905115  | PCS |   |        | PCS |
|   |   | 9   |   |        |     |
|   |  |     |   |        |     |
|   | Ø30   |     |   |        |     |
|   |   | PCS |   |        | PCS |
|   |   |     |   |        |     |
|   |   | PCS |   |        | PCS |
|   |   |     |   |        |     |
| ○ | 706646  | PCS |   |        | PCS |
|   |   | 1   |   |        |     |
|   |  |     |   |        |     |
|   | 12x686x1660   |     |   |        |     |
|   |   | PCS |   |        | PCS |
|   |   |     |   |        |     |

HUOM!

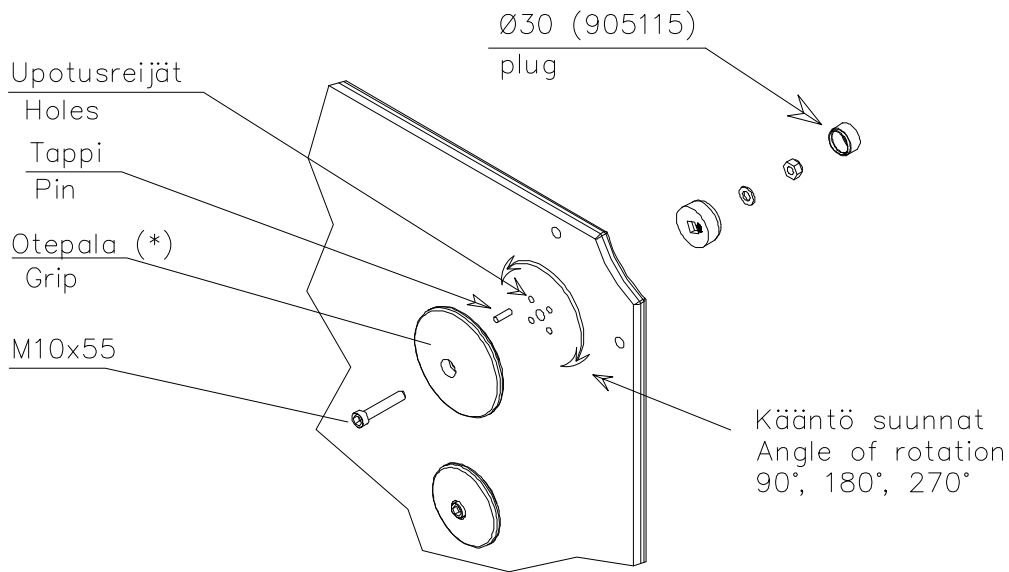
Otepalan asennus, säätö tai paikan vaihto.  
Säätömahdollisuus (90°,180°,270°).

Jos asennetun otepalan suuntaa- tai paikkaa halutaan muuttaa. Irrota otepalan kiinnityspultti ja otepala, käännä tai vaihda. Siirrä tarvittaessa tappi oikeaan upotusreikään. Asenna avatut osat paikoilleen ja lopuksi kiinnitä muovitulppa Ø30 paikoilleen kaikkiin otekokoonpanoihin.

NOTE:

Grip positions and angles are adjustable (90°,180°270°).

Grip can be repositioned by removing the fastening bolt and pulling the grip off.  
Securing pin can be repositioned when angle is changed.  
After the parts are reassembled. Finish the assembly by fastening the cover plugs (Ø30).





**Tuotekyltti tulee tuotteen mukana yhdellä seuraavista tavoista:**

**1) Metallinen tuotekyltti ja kiinnitysruuvit**

- Kiinnitä tuotekyltti ruuveilla tolppaan noin 2 metrin korkeuteen kuvan 1 mukaisesti.

**2) Tuotekylttitarra**

- Puhdista maalattu metalli- tai vaneripinta pölystä ja kosteudesta. Liimaa tarra kuvan 2 mukaisesti.
- Huom. Älä kiinnitä tarraa karheapintaiseen laminaattiin tai maalattuun puuhun.

**Vår produktmärkning levereras på ett av följande sätt:**

**1) Produktskylt i metall**

- Fäst skylten med de medföljande skruvarna

**2) Självhäftande produktetikett**

- Rengör den pulverlackerade metallytan eller laminatyten så att den blir fri från smuts och fukt. Fäst etiketten enligt fig. 2.
- Obs! Fäst ej etiketten på detaljer med skrovlig yta eller på målat trä.

**Product label is delivered by one of following ways:**

**1) Metal product label and screws**

- Fasten the label with screws.

**2) Label sticker**

- Clean the painted metal or plywood surface from dirt and moisture. Fasten the sticker as shown in the figure 2.
- Note. Do not attach the sticker to rough surfaced laminate or painted wood.

**La plaque d'informations produit est livrée sous l'une de ces 3 formes :**

**1) Plaque métallique et vis**

- Fixez la plaque à l'aide des vis.

**2) Etiquette autocollante**

- Avant de coller l'étiquette, nettoyez le composant métallique peint ou la plaque de contreplaqué, de toute saleté. La surface doit être sèche (voir image 2).
- Attention, ne pas coller l'étiquette sur une surface lamellé-collée irrégulière ou sur du bois peint.

**Die Auslieferung des Produktaufklebers erfolgt auf eine dieser Arten:**

**1) Produkt-Schild aus Metall incl. Schrauben**

- Die Befestigung des Schildes erfolgt mittels der Schrauben.

**2) Aufkleber**

- Entfernen Sie zunächst Schmutz und Feuchtigkeit vom lackierten Metall bzw. von der Holzoberfläche und bringen Sie den Aufkleber wie im Bild oben rechts beschrieben auf den gesäuberten Untergrund auf.
- Beachten Sie: Bringen Sie den Aufkleber nicht auf raues laminiertes oder lackiertes Holz an.