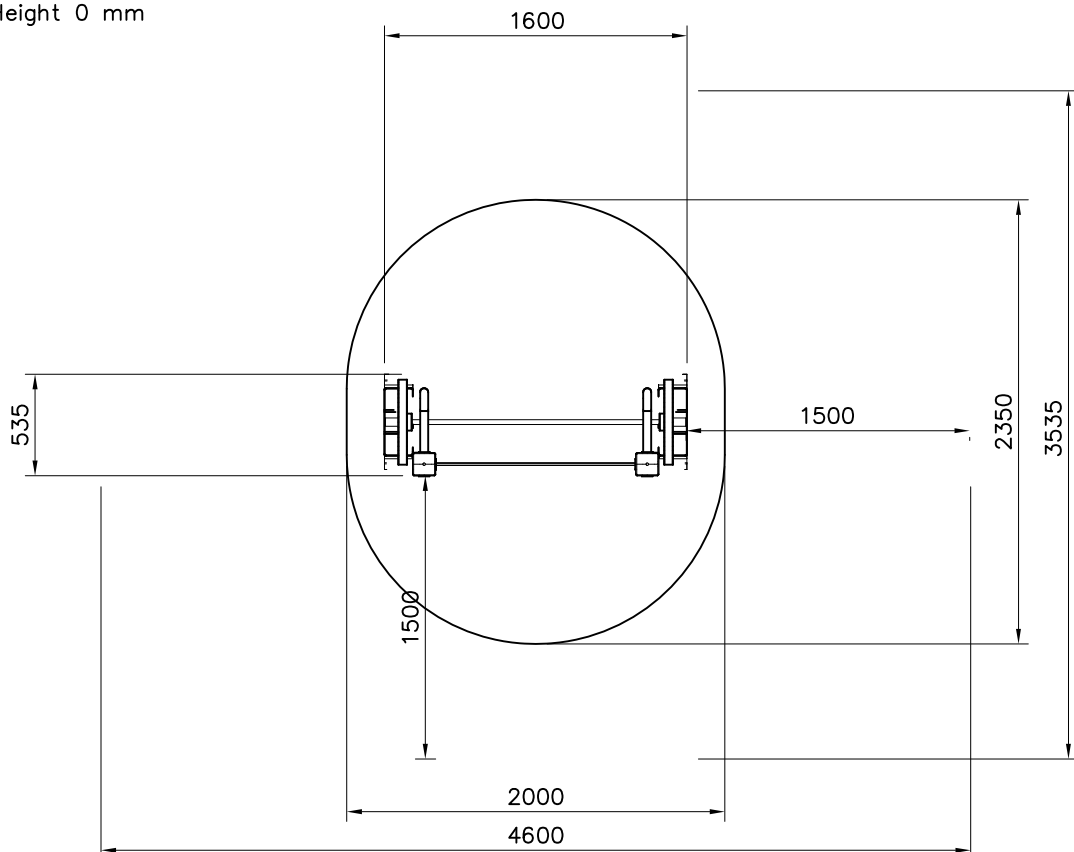
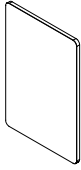
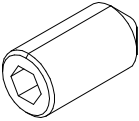

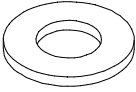


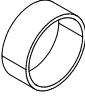

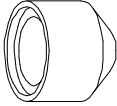
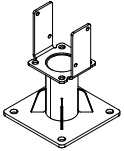


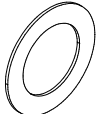
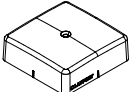


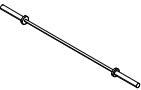
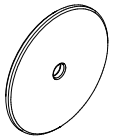
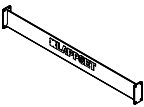
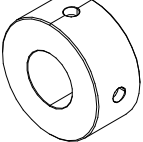
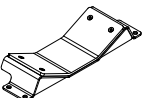




Area of Movement 14.3 m²
Training Space 3.8 m²
Max Falling Height 0 mm

1:40

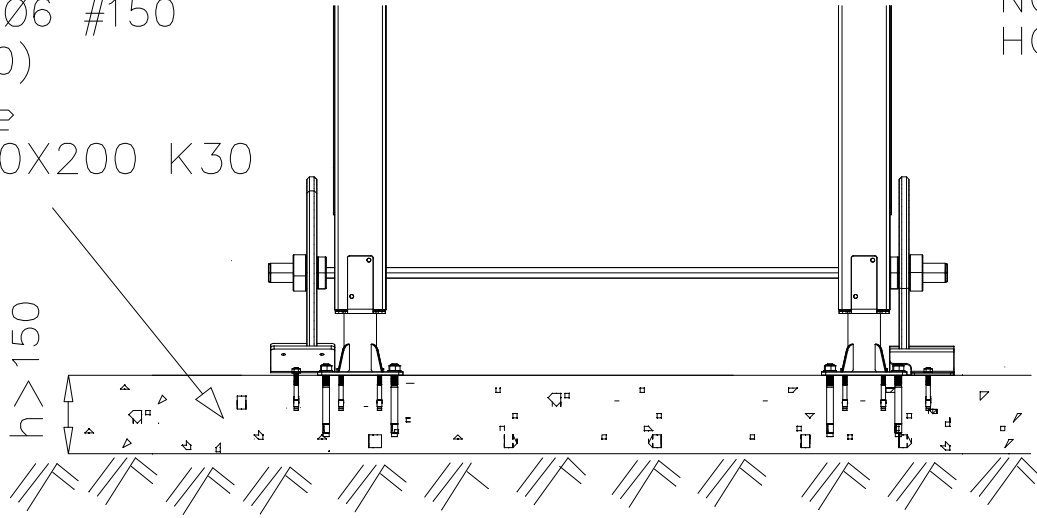




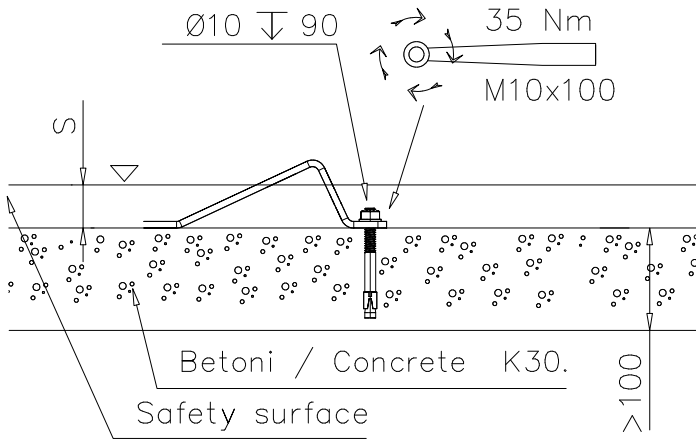
① 706021	PCS	② 909500	PCS	⑬ 980123	PCS	⑭ 909256	PCS
	1	 M10x20	4	 Ø7x60	24	 Ø16/8.4	24
③ 980114	PCS	④ 904450	PCS	⑮ 906642	PCS	⑯ 980129	PCS
 Ø4x20	4	 M16x170	8	 Ø50/45x20	4	 Ø5x35	20
⑤ 905104	PCS	⑥ 905780	PCS	⑰ 705322	PCS	⑱ 905817	PCS
 M10	8	 120x120x150	2	 120x120x2500	2	 2626X386X60	2
⑦ 906770	PCS	⑧ 905830	PCS	⑳ 906577	PCS	㉑ 907560	PCS
 Ø74/48x2	4	 123x123x40	2	 30x30x3x2250	2	 Ø90/46-33	2
⑨ 906637	PCS	⑩ 906601	PCS				
 L=1590	1	 Ø450 5kg	2				
⑪ 906605	PCS	⑫ 908976	PCS				
 L=1060	1	 Ø98/45x44	2				
⑬ 705542	PCS	⑰ 980104	PCS				
	2	 Ø5x90	2				
⑮ 909628	PCS						
 M10x100	16						

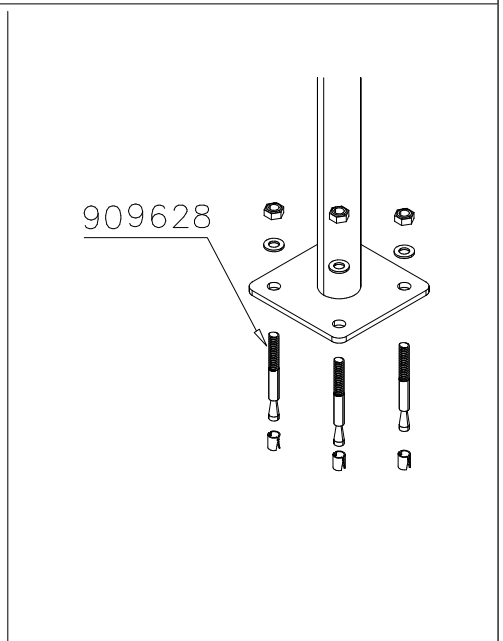
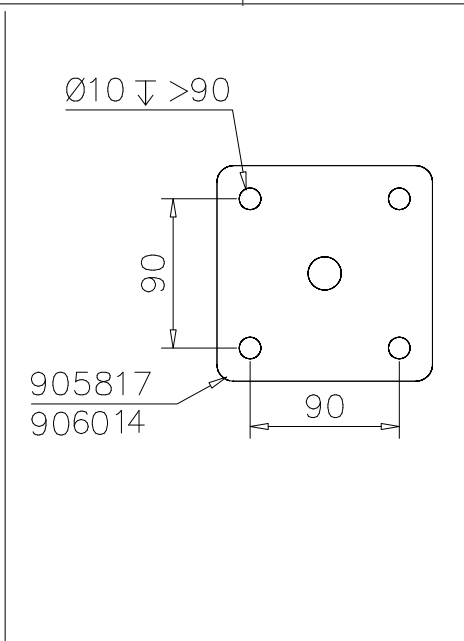
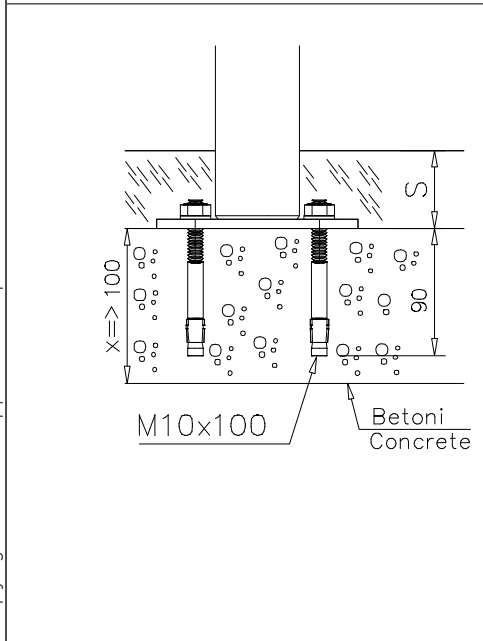
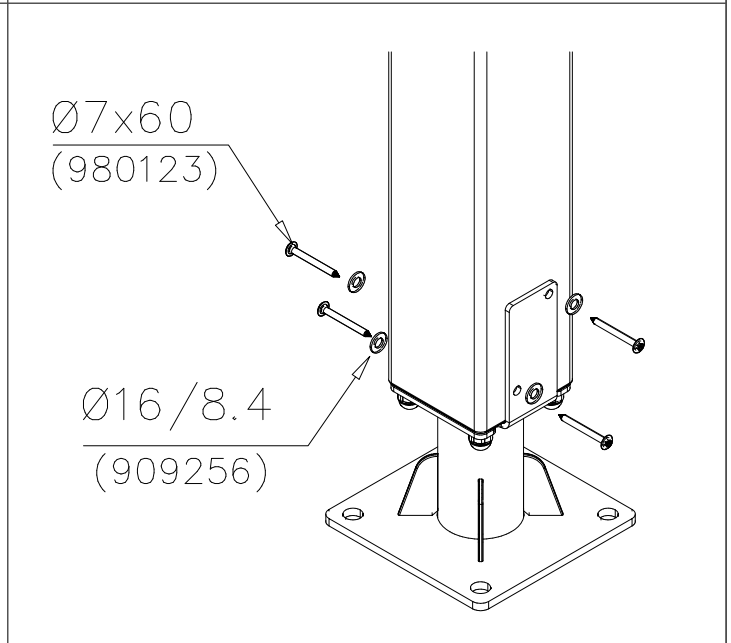
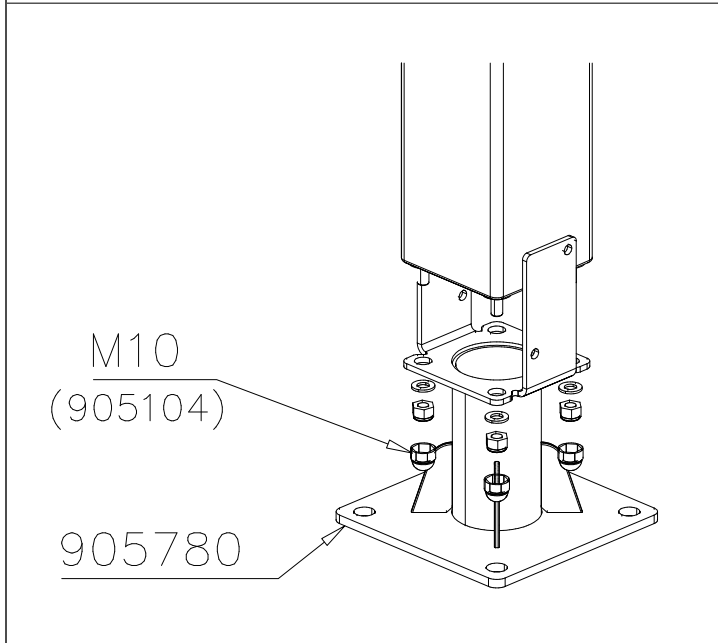
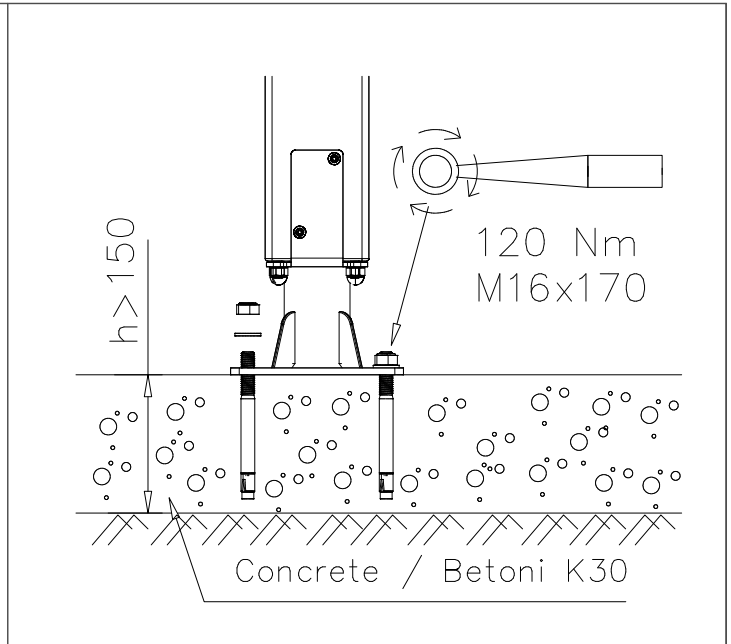
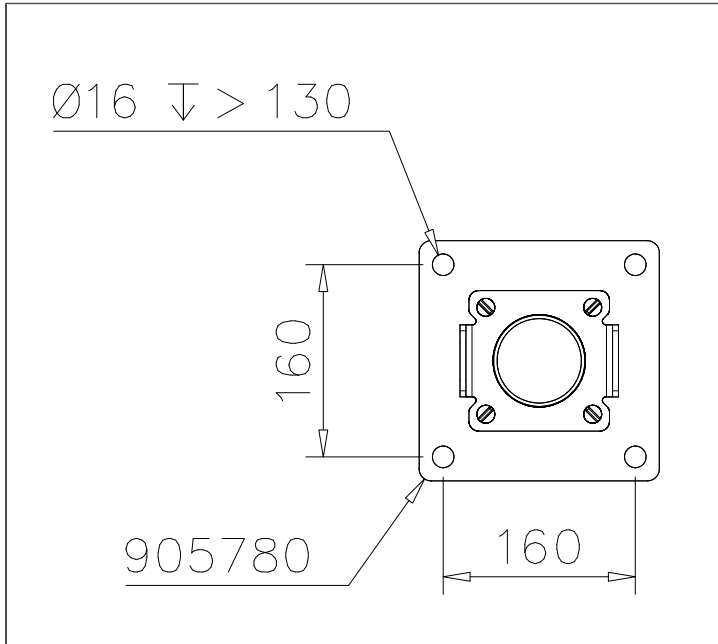
STEELNET Ø6 #150
(1400x2100)
Concrete
1500X2200X200 K30

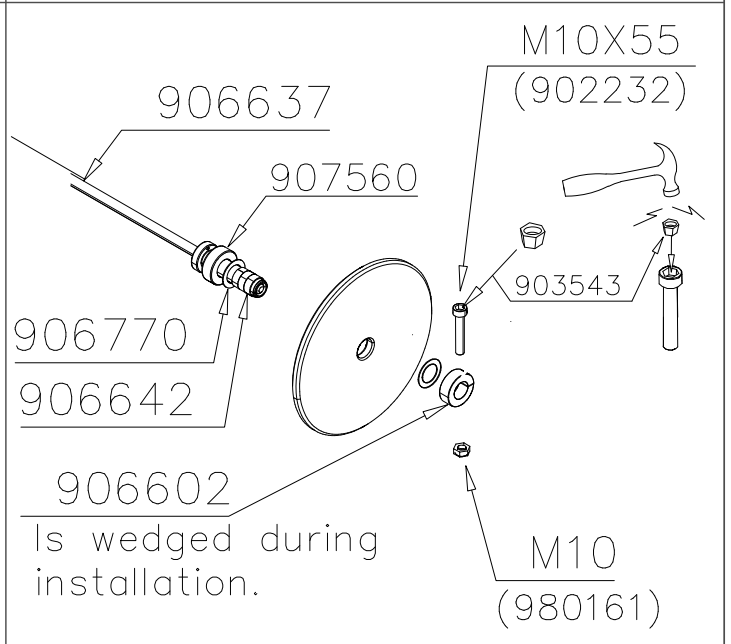
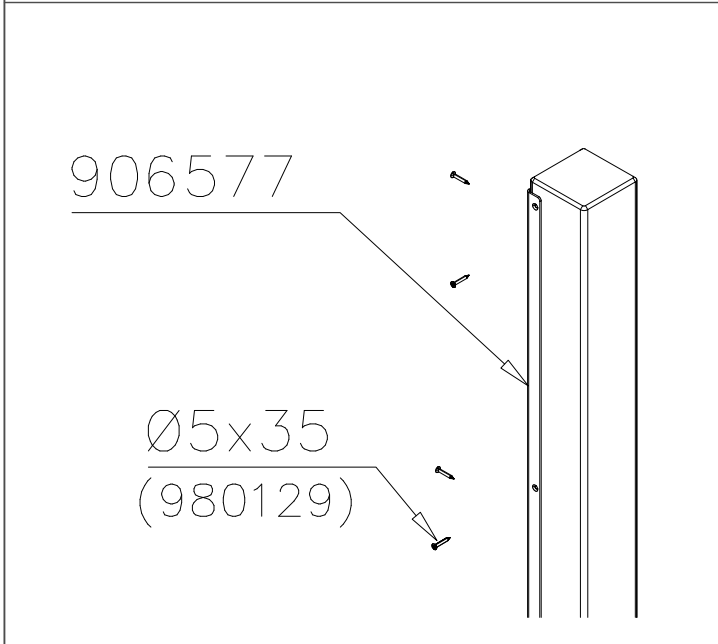
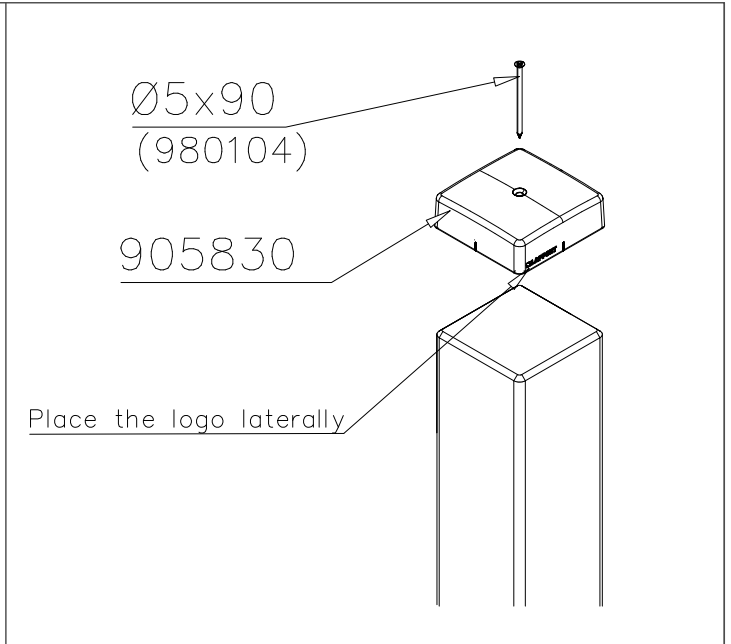
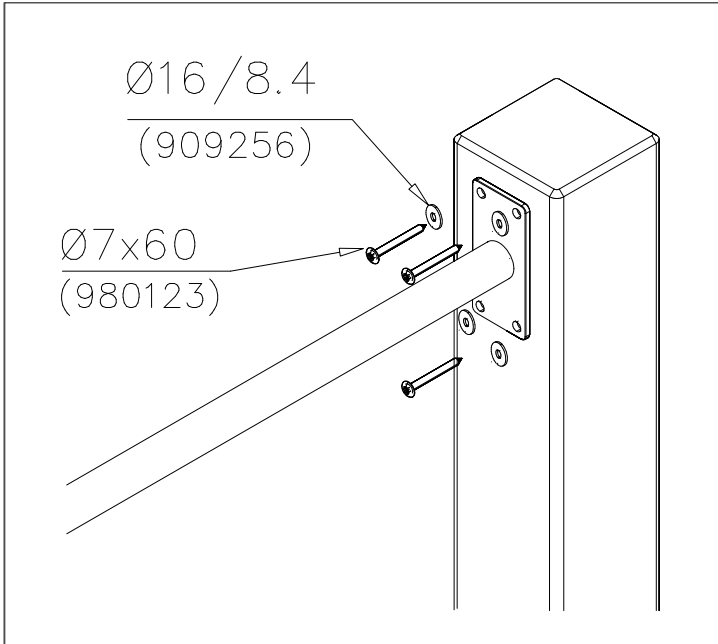
NOTE!
HOX!



Esireikä / Pre-drill hole.







LAPPSET®
BETON FOUNDATION

FOOT

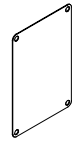

DATE: 27.10.2015

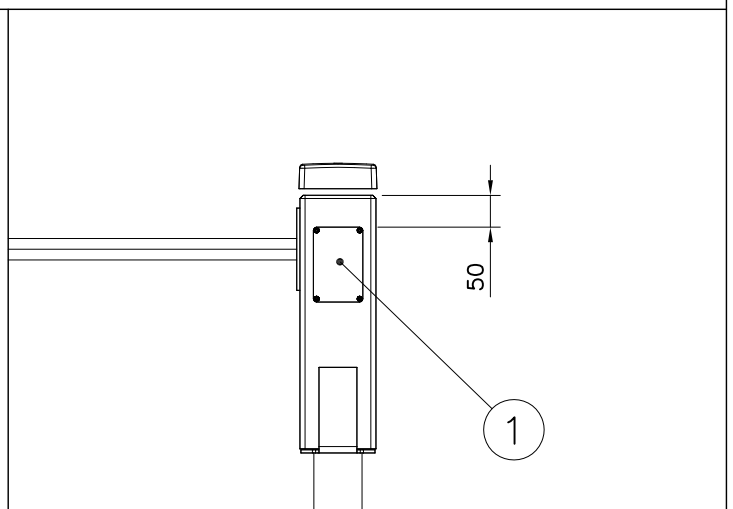
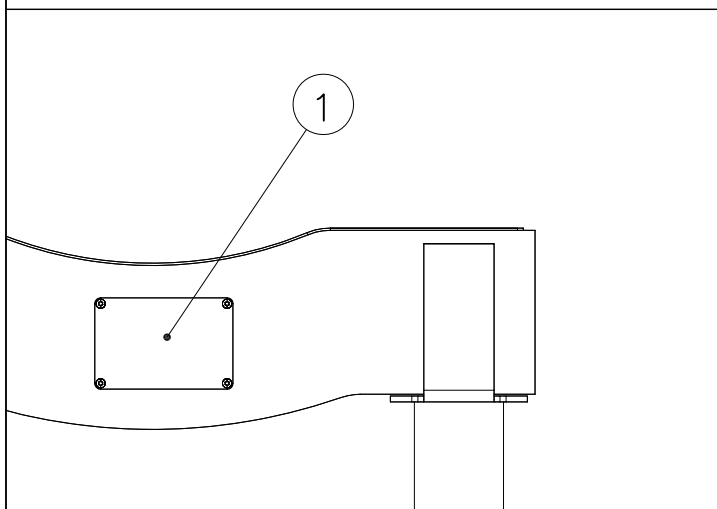
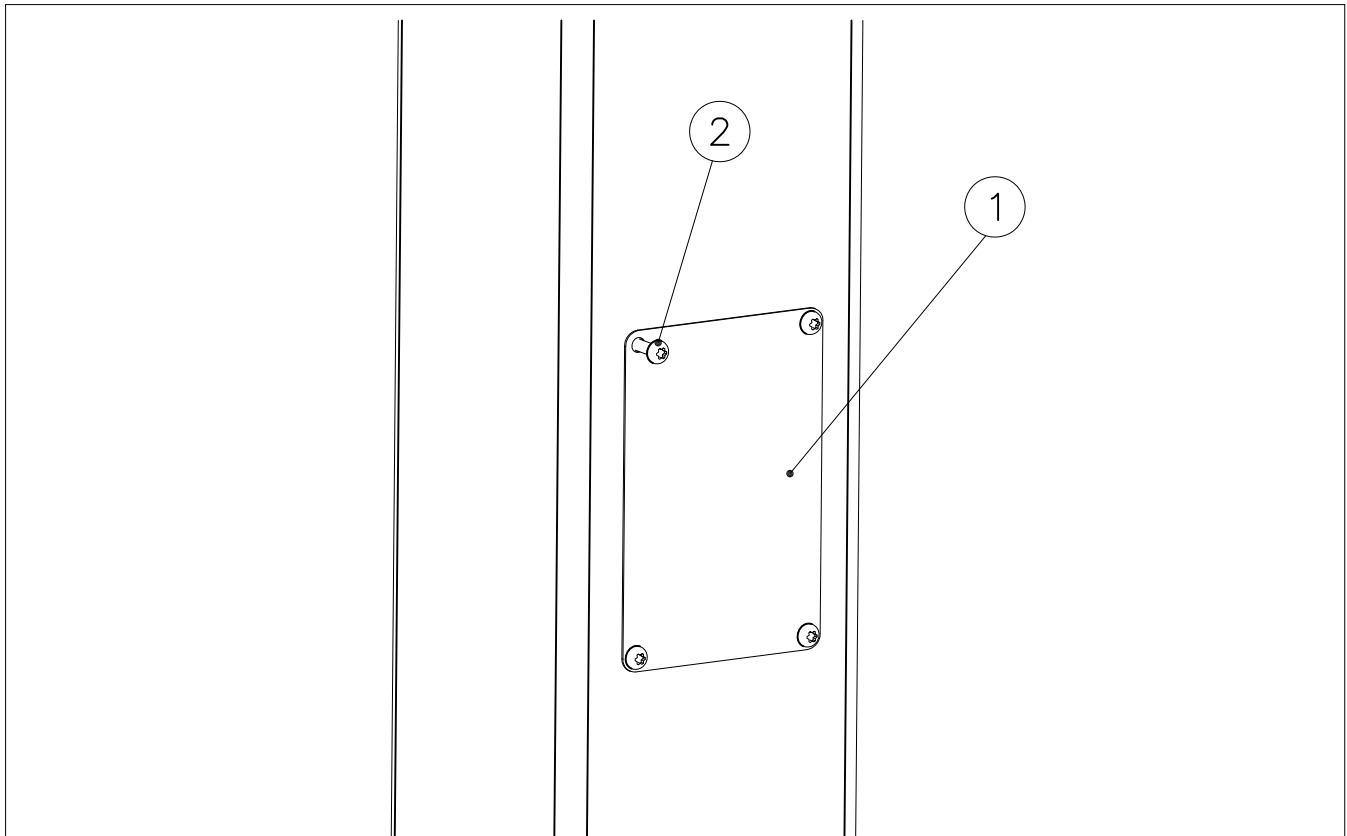
1(1)

② 905104	PCS		PCS
	4		
 M10	PCS		PCS



905104

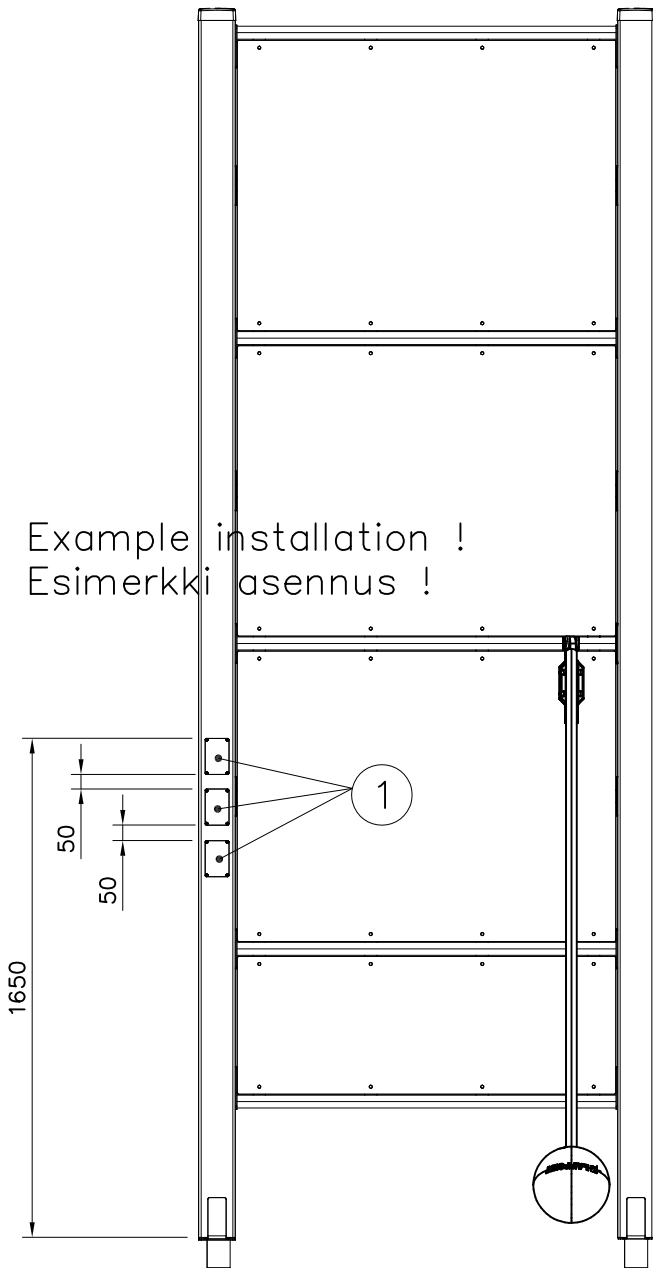
① SHEET METAL	PCS	② 980114	PCS
	1		4
118x78x0.7		Ø4x20	



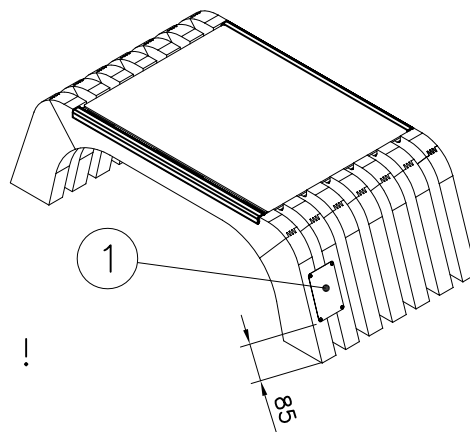
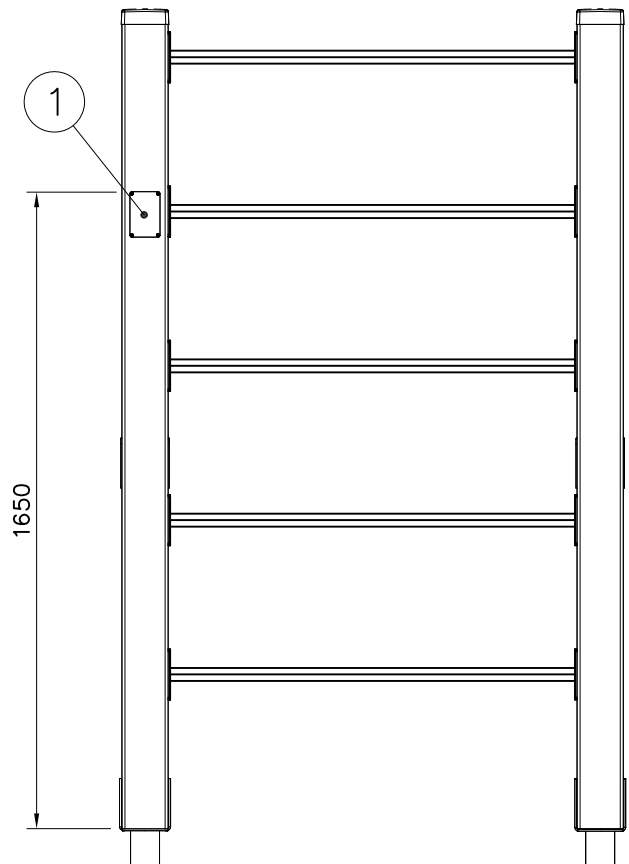
Example installation !
Esimerkki asennus !

Example installation !
Esimerkki asennus !

Example installation !
Esimerkki asennus !



Example installation !
Esimerkki asennus !



Example installation !
Esimerkki asennus !