

**LAPPSET®**  
**DEEP FOUNDATION**

**FOOT**

DATE: 13.3.2014

**4A**



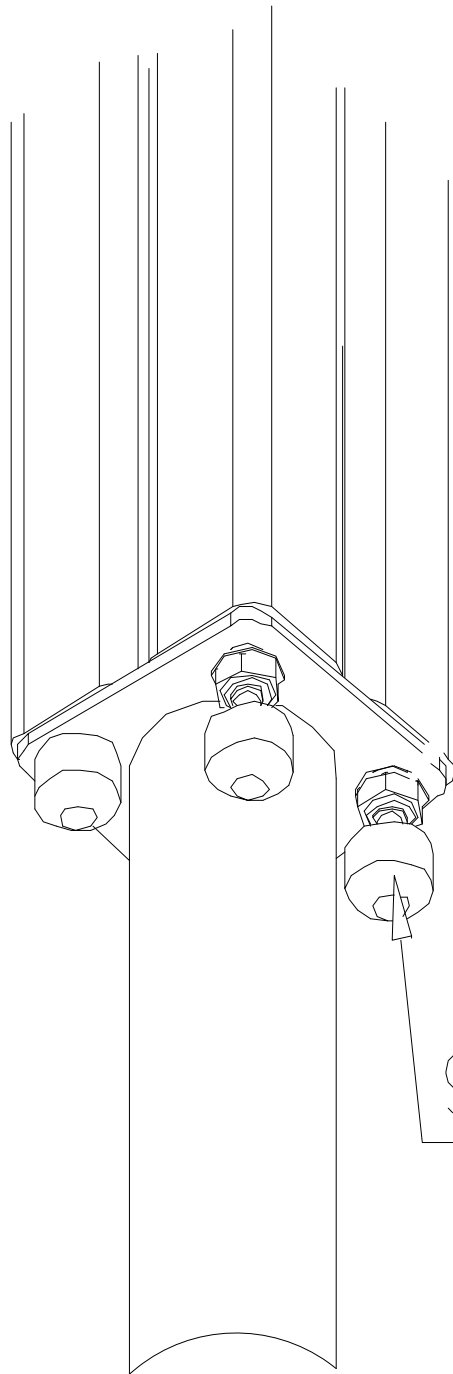
**LAPPSET®**  
**BETON FOUNDATION**

**FOOT**

DATE: 27.10.2015

**1(1)**

|  |     |  |     |
|--|-----|--|-----|
| ② 905104   | PCS |  | PCS |
|  | 4   |  |     |
| <br>M10 | PCS |  | PCS |
|  |     |  |     |



905104

# LAPPSET® DEEP FOUNDATION

# FOOT

DATE: 15.5.2018

1(1)



|   |           |     |   |            |     |
|---|-----------|-----|---|------------|-----|
| ① | 909511    | PCS | ② | 909519     | PCS |
|   |           | 1   |   |            | 1   |
|   | 90x90x650 |     |   | 50x380x380 |     |

|   |        |     |   |          |     |
|---|--------|-----|---|----------|-----|
| ③ | 909637 | PCS | ④ | 909638   | PCS |
|   |        | 4   |   |          | 8   |
|   | M10    |     |   | Ø20/10.5 |     |

|   |        |     |   |        |     |
|---|--------|-----|---|--------|-----|
| ⑤ | 909639 | PCS | ⑥ | 905104 | PCS |
|   |        | 4   |   |        | 4   |
|   | M10x25 |     |   | M10    |     |

OPTION FOOT

|   |           |     |  |  |     |
|---|-----------|-----|--|--|-----|
| ① | 911155    | PCS |  |  | PCS |
|   |           | 1   |  |  |     |
|   | 90x90x650 |     |  |  |     |

# LAPPSET

## DEEP FOUNDATION

# SLIDE WOOD

DATE: 22.5.2015

1(1)





SLIDE OPTIONS

|   |   |  |
|---|---|--|
| <p>706450<br/>+1470</p>  | <p>706450-602 DARK BROWN<br/>                 706450-603 LIGHT BROWN<br/>                 706450-604 LIGHT GRAY</p> |  |
| <p>706452<br/>+870</p>   | <p>706452-602 DARK BROWN<br/>                 706452-603 LIGHT BROWN<br/>                 706452-604 LIGHT GRAY</p> |  |

WALL OPTIONS

|   |  |   |
|---|--|---|
| <p>706371</p>  | <p>706371-701 BLUE<br/>                 706371-702 YELLOW<br/>                 706371-703 LIME<br/>                 706371-704 DRARK GRAY<br/>                 706371-705 LIGHT GRAY<br/>                 706371-706 RED</p> | <p>706371-707 GREEN<br/>                 706371-708 FUXIA</p> |
|---|--|---|

# LAPPSET

80M

# SLIDE WOOD

DATE: 3.11.2017

2(5)

|  |     |   |     |   |     |   |     |  |     |   |     |
|--|-----|---|-----|---|-----|---|-----|--|-----|---|-----|
| ○ SLIDE  | PCS | ○ SLIDE   | PCS | ○ 706371  | PCS | ○ 706505  | PCS | ○ 901868   | PCS | ① 903093  | PCS |
|  | 1   |  | 1   |  | 2   |  | 2   |  | 1   |  | 2   |
| +1470  |     | +870  |     | 15x345x750  |     | 35x70x730   |     | Ø34x598  |     | Ø8x90   |     |
| ② 909876   | PCS | ③ 980100  | PCS | ④ 980128  | PCS | ⑤ 999561  | PCS |  |     |   |     |
|  | 2   |  | 12  |  | 11  |  | 1   |  |     |   |     |
| M8x40  |     | Ø5x60   |     | Ø7x40   |     | 10g   |     |  |     |   |     |





# LAPPSET

## DEEP FOUNDATION

# SLIDE WOOD

DATE: 3.11.2017

4(5)

|  |     |   |     |   |     |   |     |  |     |   |     |
|--|-----|---|-----|---|-----|---|-----|--|-----|---|-----|
| ○ 707133   | PCS | ○ 901868  | PCS | ○ 901879  | PCS | ⑥ 909210  | PCS | ⑦ 905051   | PCS | ⑧ 980128  | PCS |
|  | 1   |  | 2   |  | 2   |  | 4   |  | 4   |  | 6   |
| 10x80x745  |     | Ø30x598   |     |   |     | M8x40   |     | Ø24/8.4  |     | Ø7x40   |     |





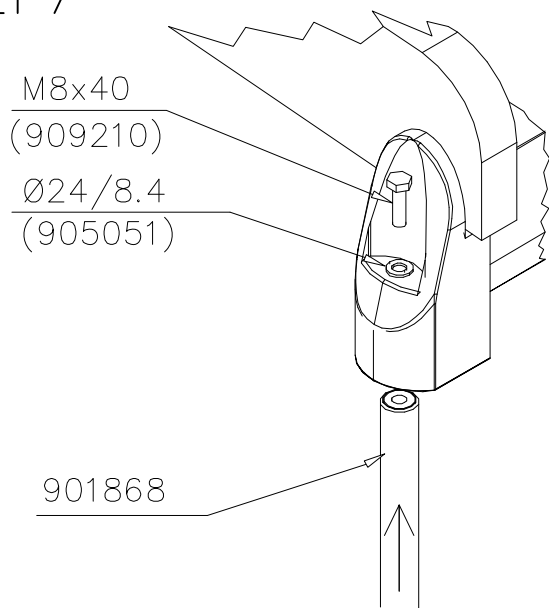
DET 6



Insert sheet metal IN to the plastic cover.

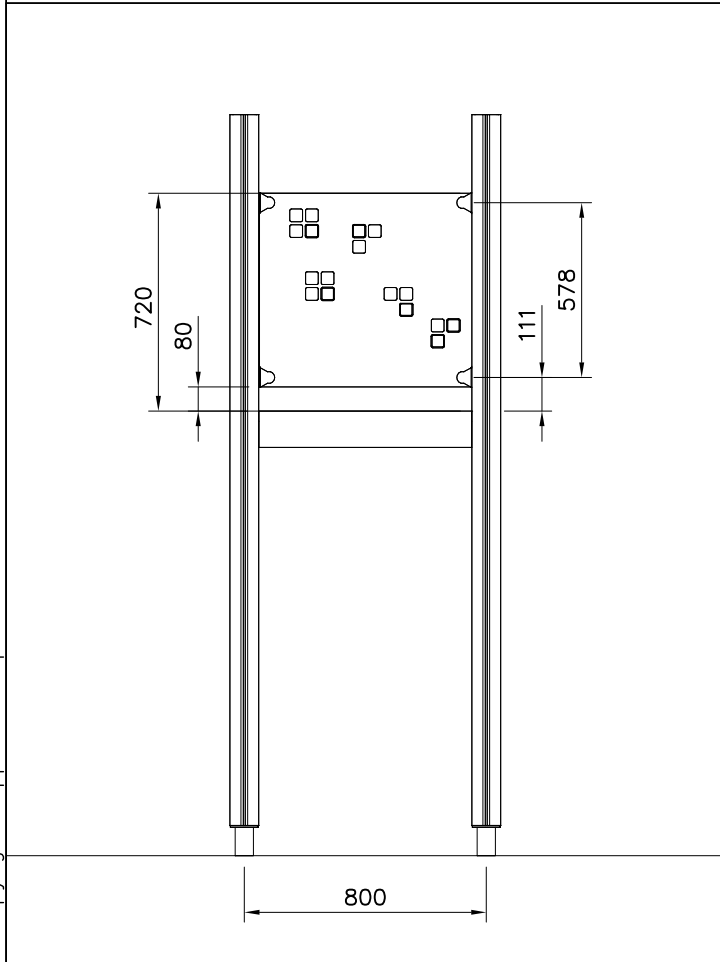
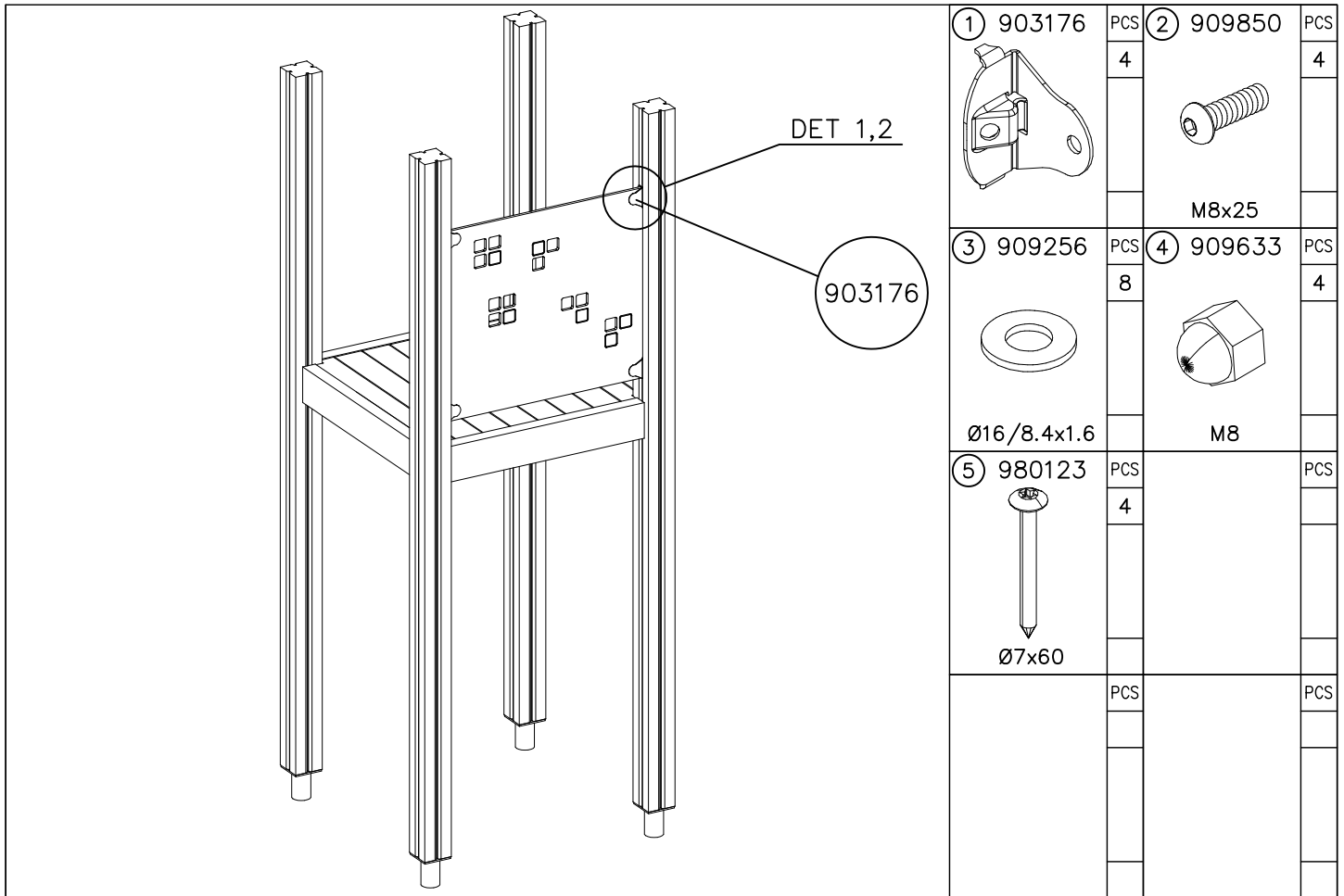


DET 7



DET 8









|   |     |   |     |
|---|-----|---|-----|
| ① 008986  | PCS | ② 706443  | PCS |
|  | 1   |  | 2   |
| 750x750   |     | 32x45x702   |     |
| ③ 900240  | PCS | ④ 980101  | PCS |
|  | 6   |  | 8   |
| Ø8x70   |     | Ø4.5x70   |     |
|   | PCS |   | PCS |
|   |     |   |     |
|   | PCS |   | PCS |
|   |     |   |     |
|   | PCS |   | PCS |
|   |     |   |     |

DET 1

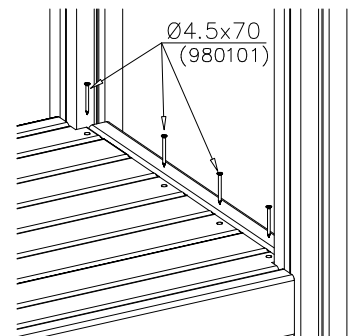


DET 2

Naulanauha kannatinlistan puolelle.  
Nail list to the bottom.



DET 3







| BOOM OPTIONS |            |             |
|--------------|------------|-------------|
| 706510       | 706510-602 | DARK BROWN  |
|              | 706510-603 | LIGHT BROWN |
|              | 706510-604 | LIGHT GRAY  |
|              |            |             |
| 45x120x1030  |            |             |
|              |            |             |
|              |            |             |

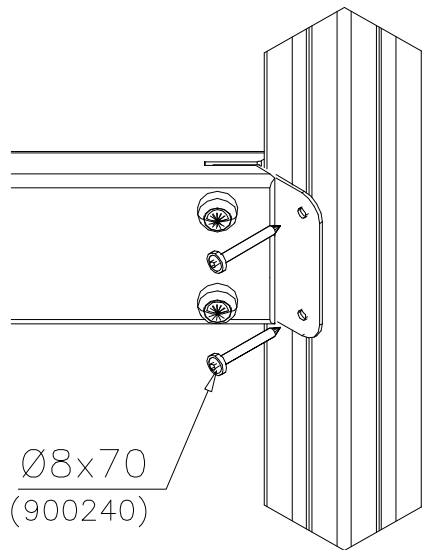
DET 1



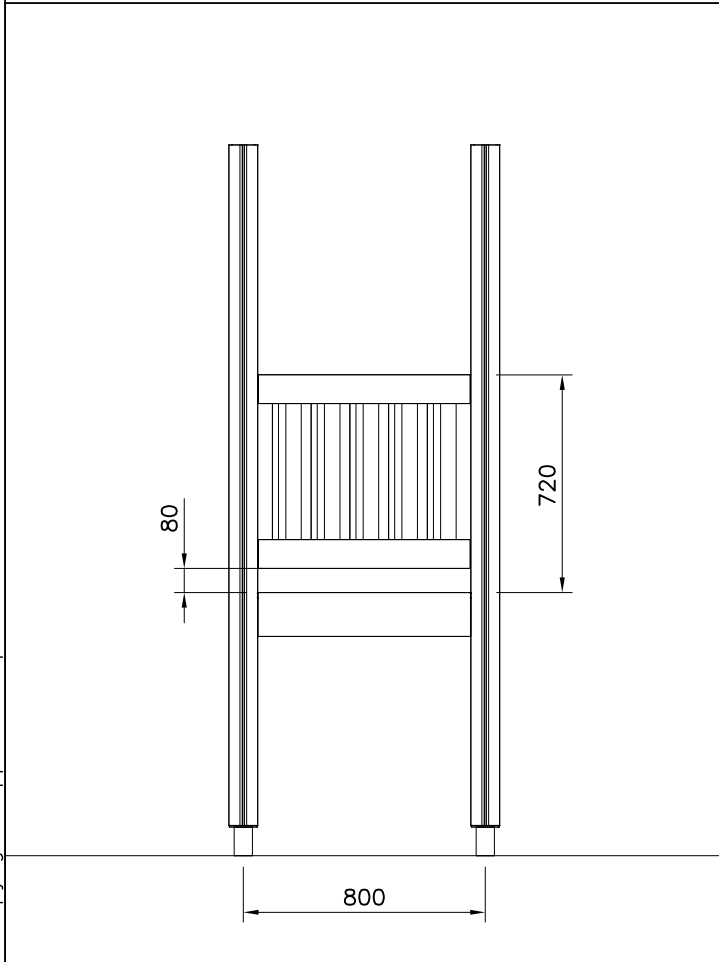
DET 2 M8x60  
 (909866)



DET 3

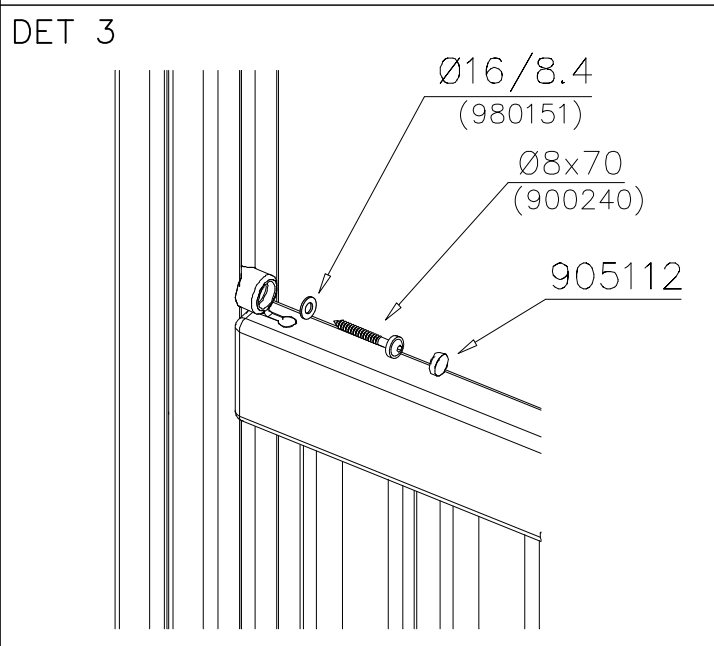
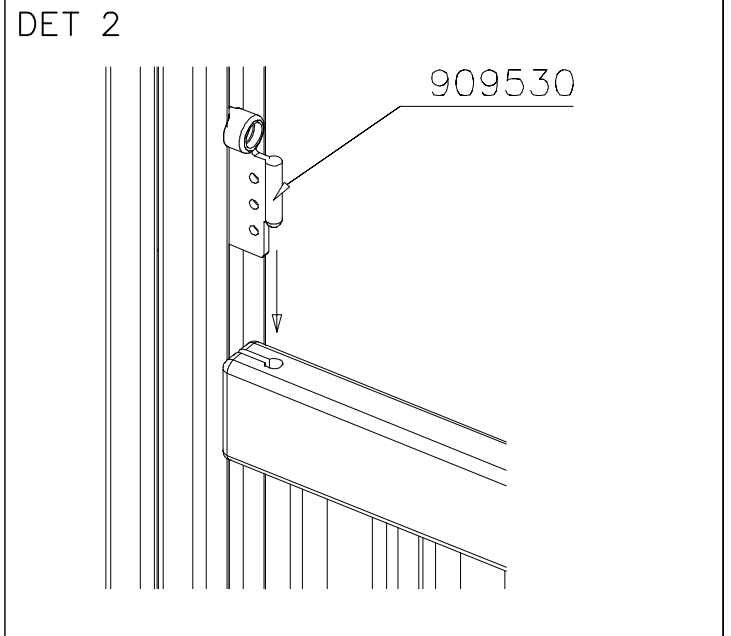
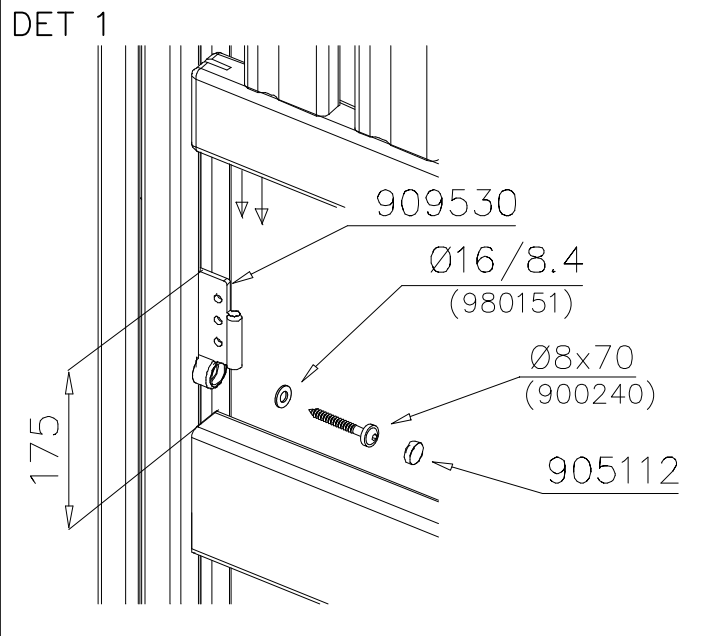


|            |     |             |     |
|------------|-----|-------------|-----|
| ① 706746   | PCS | ② 909530    | PCS |
|            | 1   |             | 4   |
| 45x640x701 |     | 55.9x127.5  |     |
| ③ 900240   | PCS | ④ 980151    | PCS |
|            | 4   |             | 4   |
| Ø8x70      |     | Ø16/8.4x1.6 |     |
| ⑤ 905112   | PCS |             | PCS |
|            | 4   |             |     |
| Ø22        |     |             |     |
|            | PCS |             | PCS |



| WALL OPTIONS                 |            |           |
|------------------------------|------------|-----------|
| <p>706746<br/>45x640x701</p> | 706746-605 | DARK GRAY |
|                              | 706746-606 | GRAY      |
|                              | 706746-607 | RED       |
|                              | 706746-608 | BLUE      |
|                              | 706746-609 | GREEN     |
|                              | 706746-610 | YELLOW    |
|                              | 706746-611 | LIME      |
|                              | 706746-612 | FUXIA     |





|             |     |          |     |
|-------------|-----|----------|-----|
| ① 903176    | PCS | ② 909850 | PCS |
|             | 4   |          | 4   |
|             |     | M8x25    |     |
| ③ 909256    | PCS | ④ 909633 | PCS |
|             | 8   |          | 4   |
| Ø16/8.4x1.6 |     | M8       |     |
| ⑤ 980123    | PCS |          | PCS |
|             | 4   |          |     |
| Ø7x60       |     |          |     |

**\*Note:**  
No gaps between:  
8–25mm  
89–230mm

| COLOR OPTIONS |            |
|---------------|------------|
| -701          | BLUE       |
| -702          | YELLOW     |
| -703          | LIME       |
| -704          | DARK GRAY  |
| -705          | LIGHT GRAY |
| -706          | RED        |
| -707          | GREEN      |
| -708          | FUXIA      |

GAME WALL OPTIONS

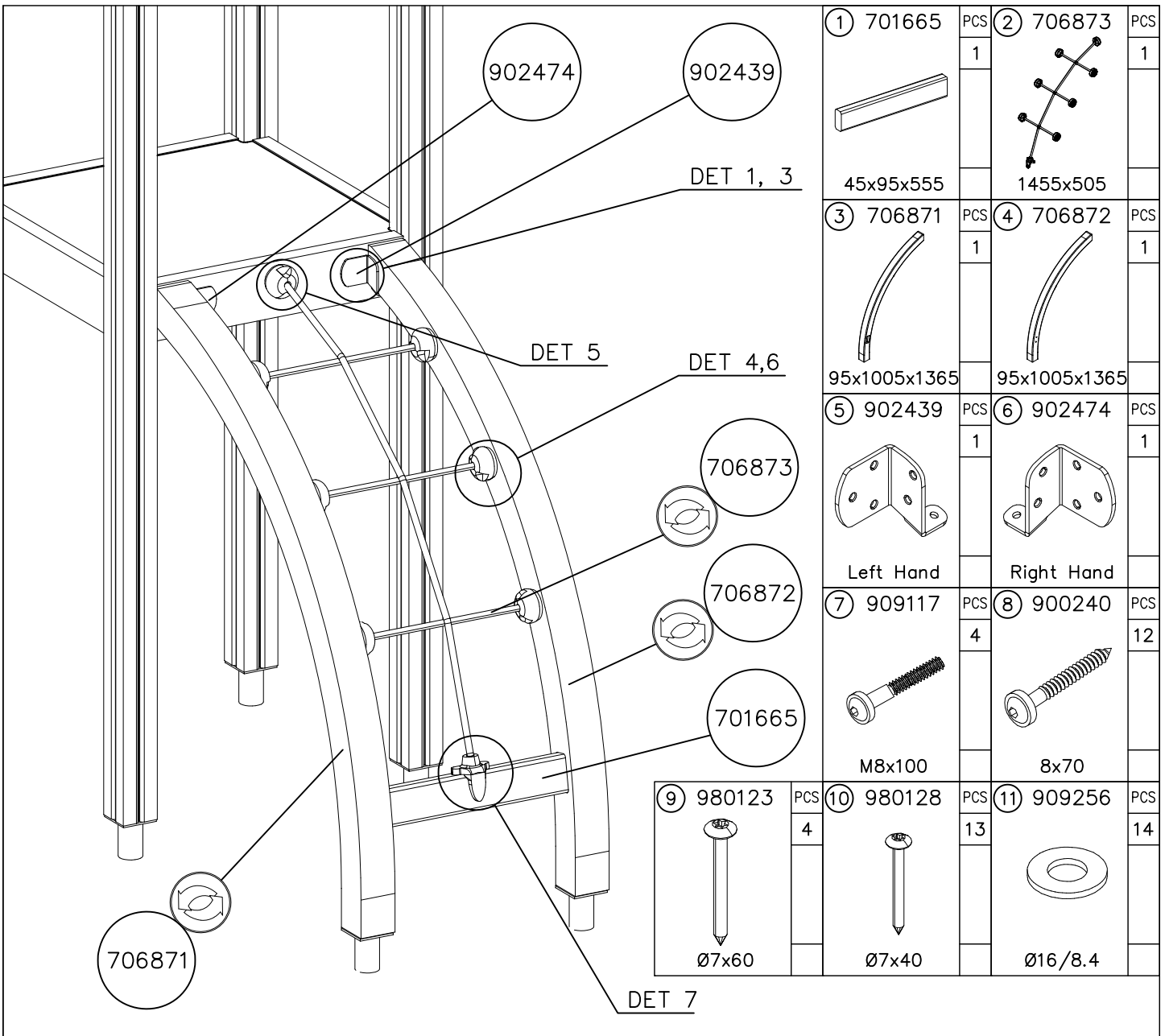
|   |   |  |  |
|---|---|--|--|
| 706766  | 706772  | 706308   | 707453   |
|    |    |    |   |
| 640x702   | 640x702   | 640x702  | 640x702  |
| 707209  | 705705  | 707433   | 707386   |
|   |   |   |  |
| 640x702   | 640x702   | 640x702  | 640x702  |
| 709403  | 709358  | 709405   |  |
|  |  |  |  |
| 640x702   | 640x702   | 420x702  |  |

DET 1



DET 2

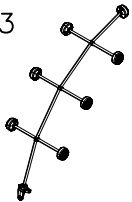




|              |     |              |     |          |     |
|--------------|-----|--------------|-----|----------|-----|
| ① 701665     | PCS | ② 706873     | PCS |          |     |
|              | 1   |              | 1   |          |     |
| 45x95x555    |     | 1455x505     |     |          |     |
| ③ 706871     | PCS | ④ 706872     | PCS |          |     |
|              | 1   |              | 1   |          |     |
| 95x1005x1365 |     | 95x1005x1365 |     |          |     |
| ⑤ 902439     | PCS | ⑥ 902474     | PCS |          |     |
|              | 1   |              | 1   |          |     |
| Left Hand    |     | Right Hand   |     |          |     |
| ⑦ 909117     | PCS | ⑧ 900240     | PCS |          |     |
|              | 4   |              | 12  |          |     |
| M8x100       |     | 8x70         |     |          |     |
| ⑨ 980123     | PCS | ⑩ 980128     | PCS | ⑪ 909256 | PCS |
|              | 4   |              | 13  |          | 14  |
| Ø7x60        |     | Ø7x40        |     | Ø16/8.4  |     |

### NET OPTIONS

706873



1455x505

|            |        |
|------------|--------|
| 706873-301 | BLUE   |
| 706873-302 | RED    |
| 706873-303 | BEIGE  |
| 706873-304 | GRAY   |
| 706873-305 | BLACK  |
| 706873-306 | YELLOW |

### BOOM OPTIONS

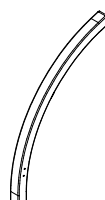
706871



95x1005x1365

|            |             |
|------------|-------------|
| 706871-602 | DARK BROWN  |
| 706871-603 | LIGHT BROWN |
| 706871-604 | LIGHT GRAY  |

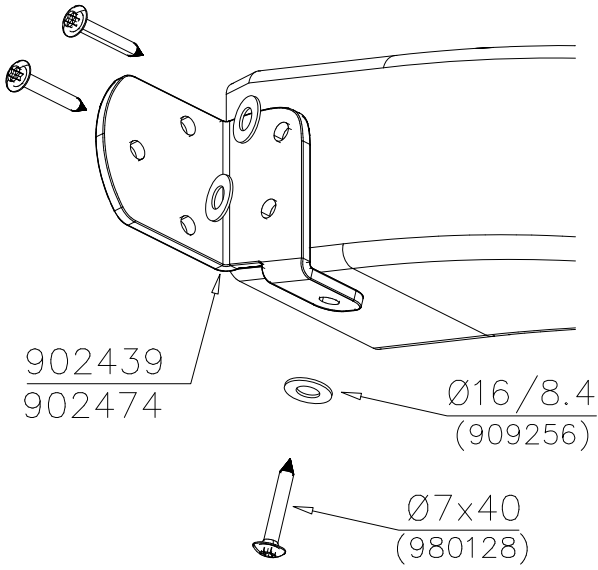
706872



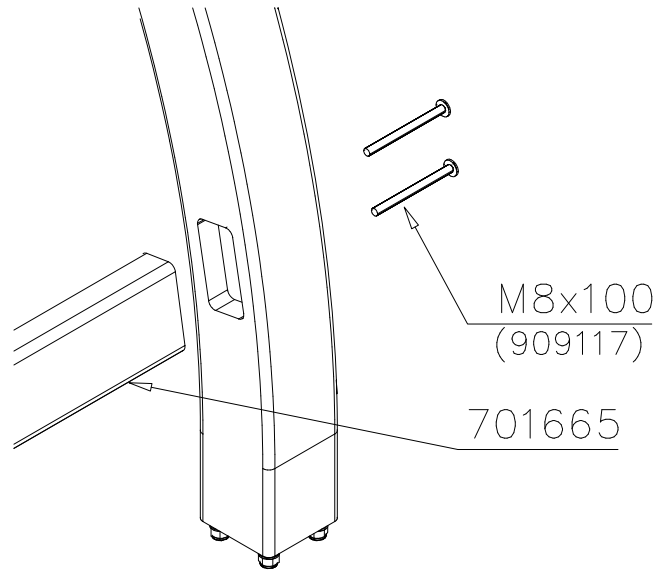
95x1005x1365

|            |             |
|------------|-------------|
| 706872-602 | DARK BROWN  |
| 706872-603 | LIGHT BROWN |
| 706872-604 | LIGHT GRAY  |

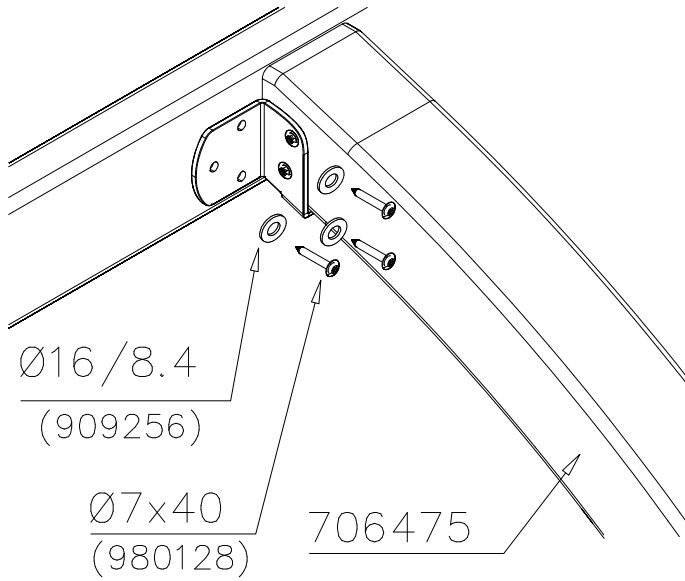
DET 1



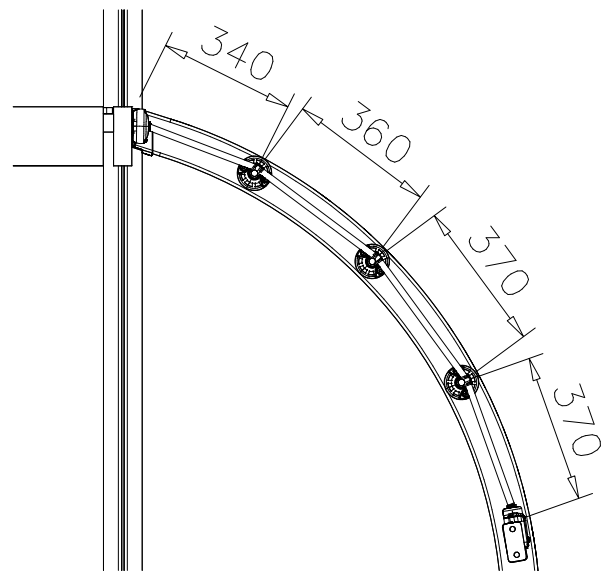
DET 2



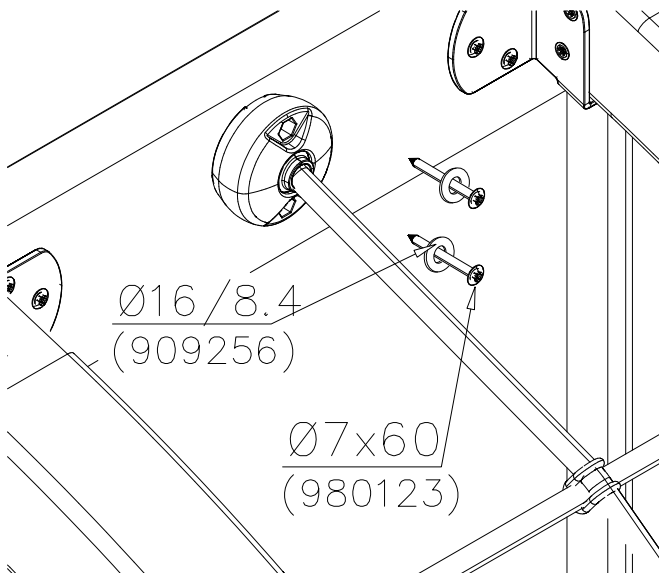
DET 3



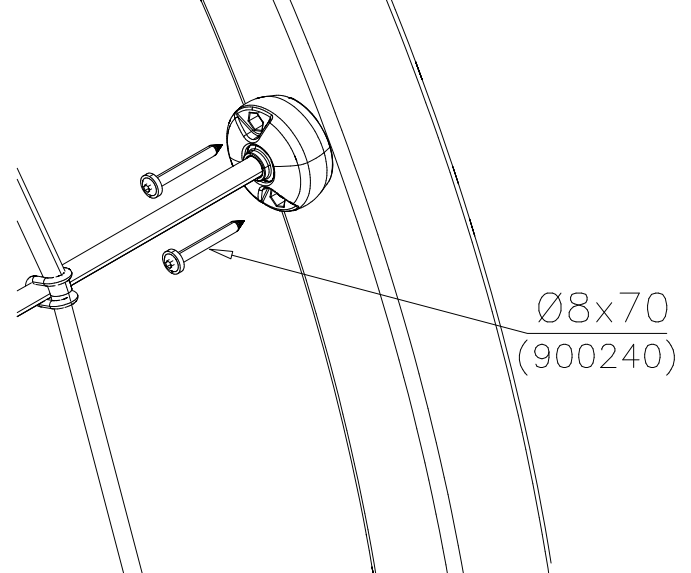
DET 4



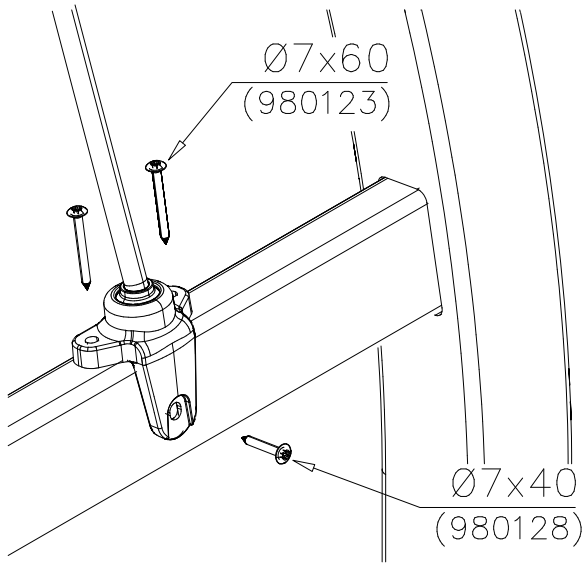
DET 5



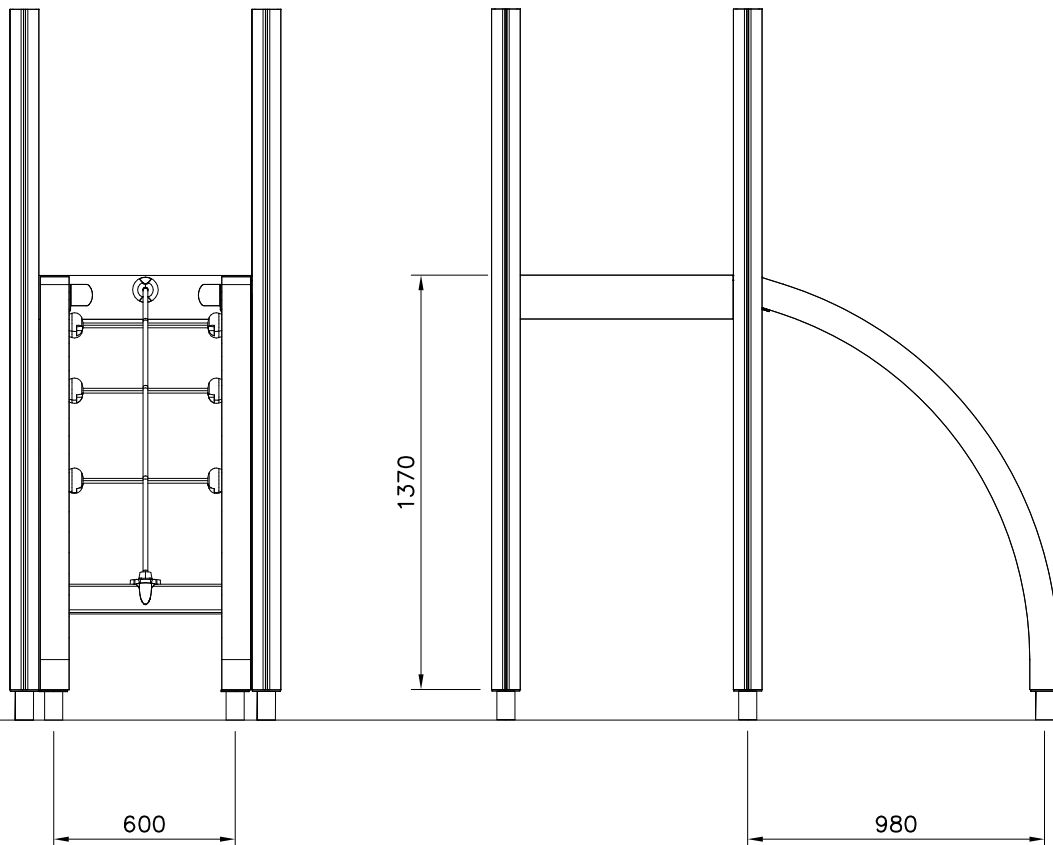
DET 6

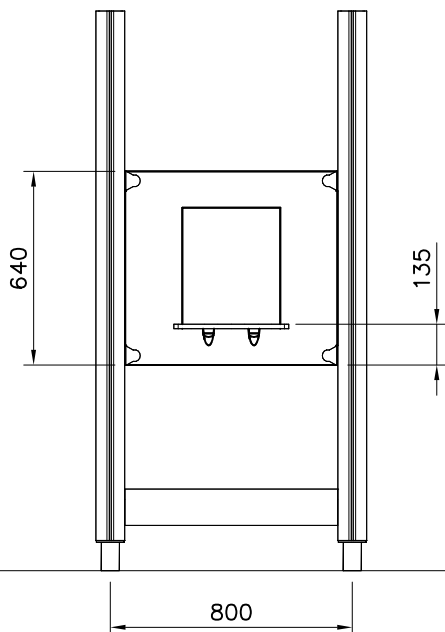


DET 7



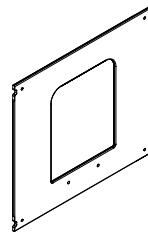
DET 8





### WALL OPTIONS

706727

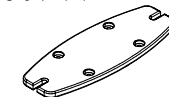


10x640x702

|            |            |
|------------|------------|
| 706727-701 | BLUE       |
| 706727-702 | YELLOW     |
| 706727-703 | LIME       |
| 706727-704 | DARK GRAY  |
| 706727-705 | LIGHT GRAY |
| 706727-706 | RED        |
| 706727-707 | GREEN      |
| 706727-708 | FUXIA      |

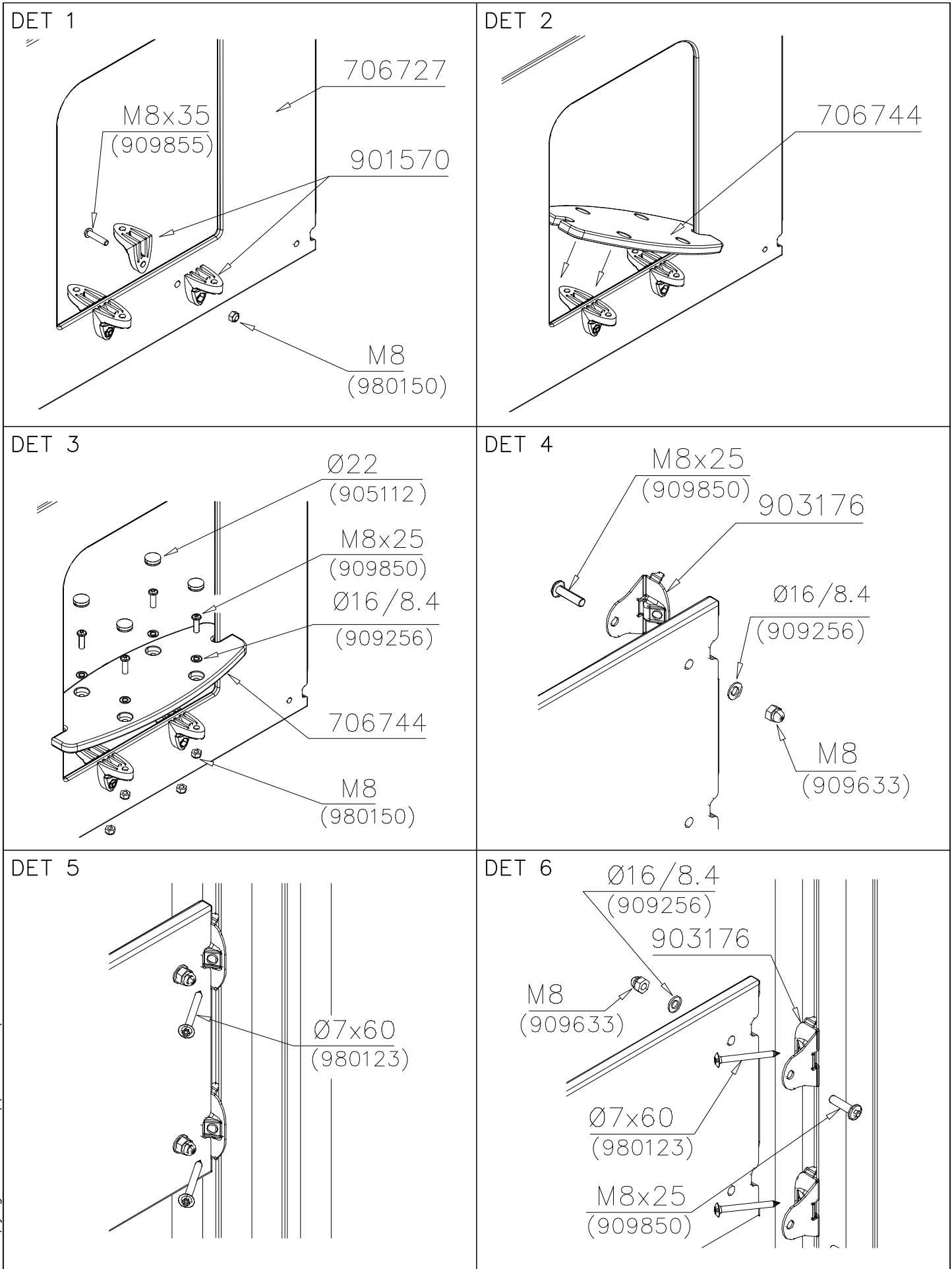
### WALL OPTIONS

706744

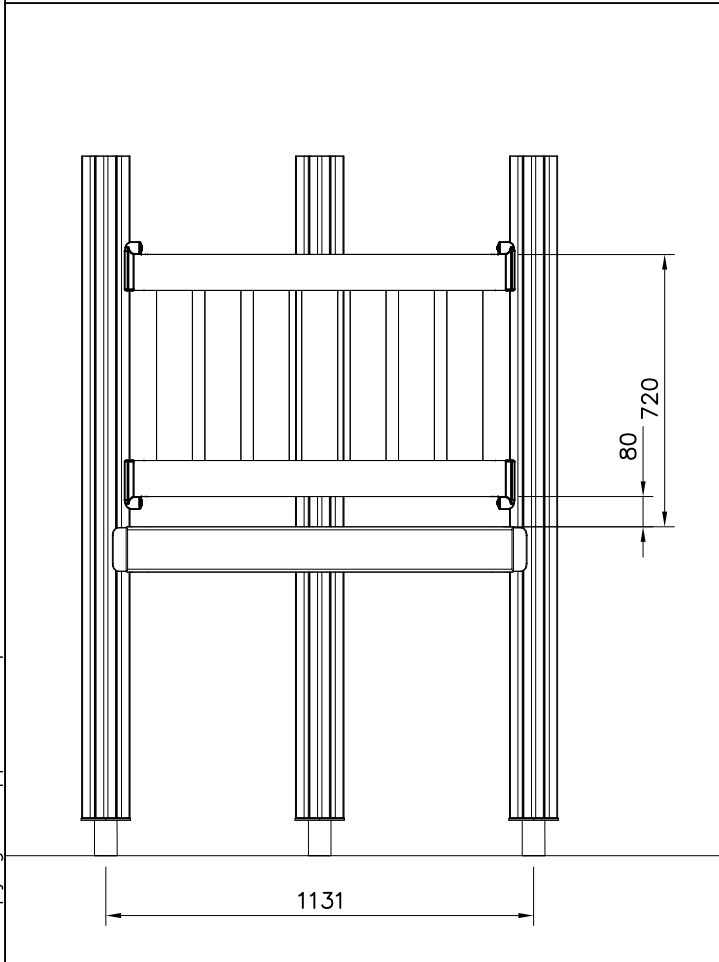
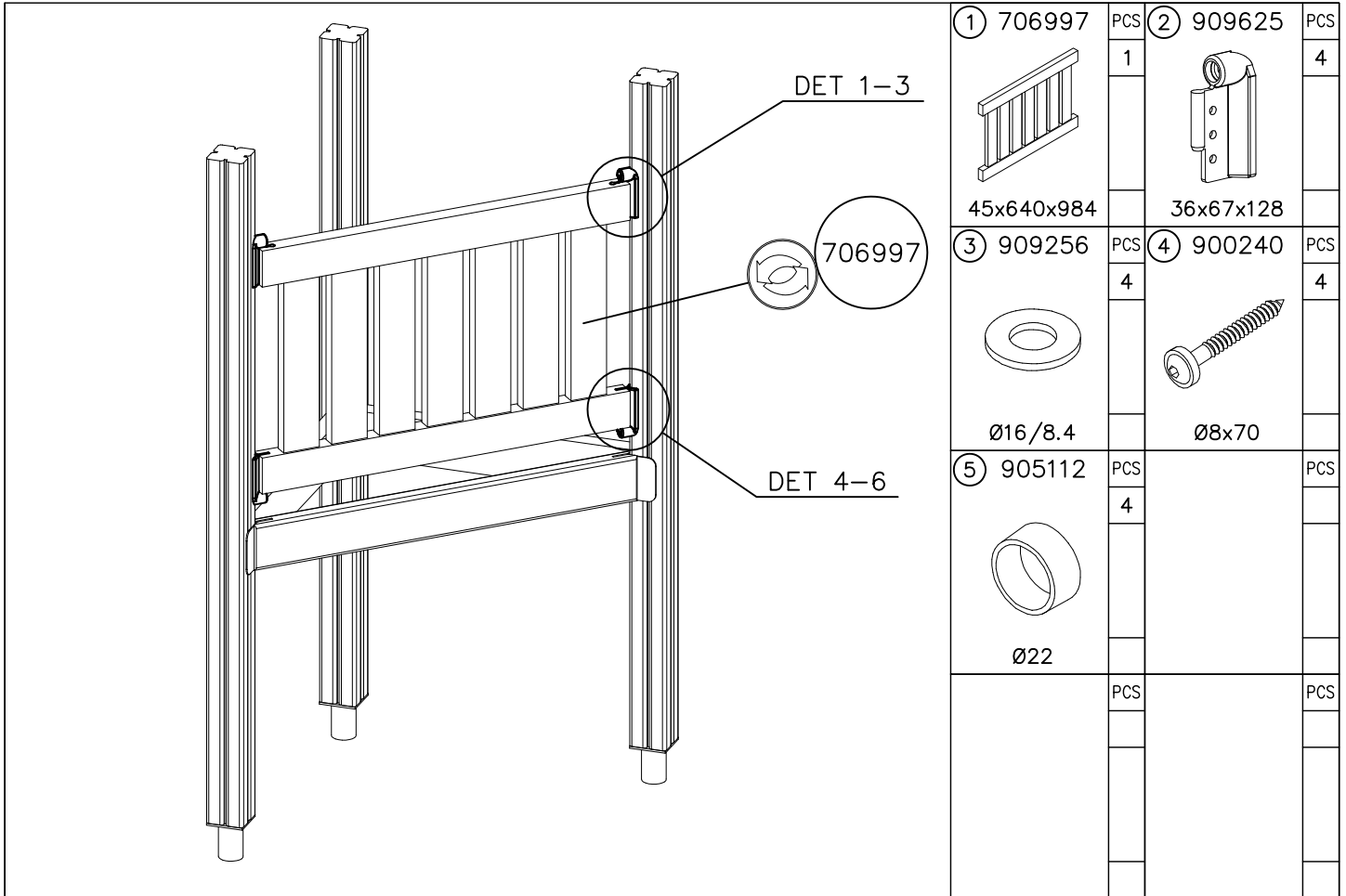


15x145x380

|        |           |
|--------|-----------|
| 706744 | DARK GRAY |
|--------|-----------|

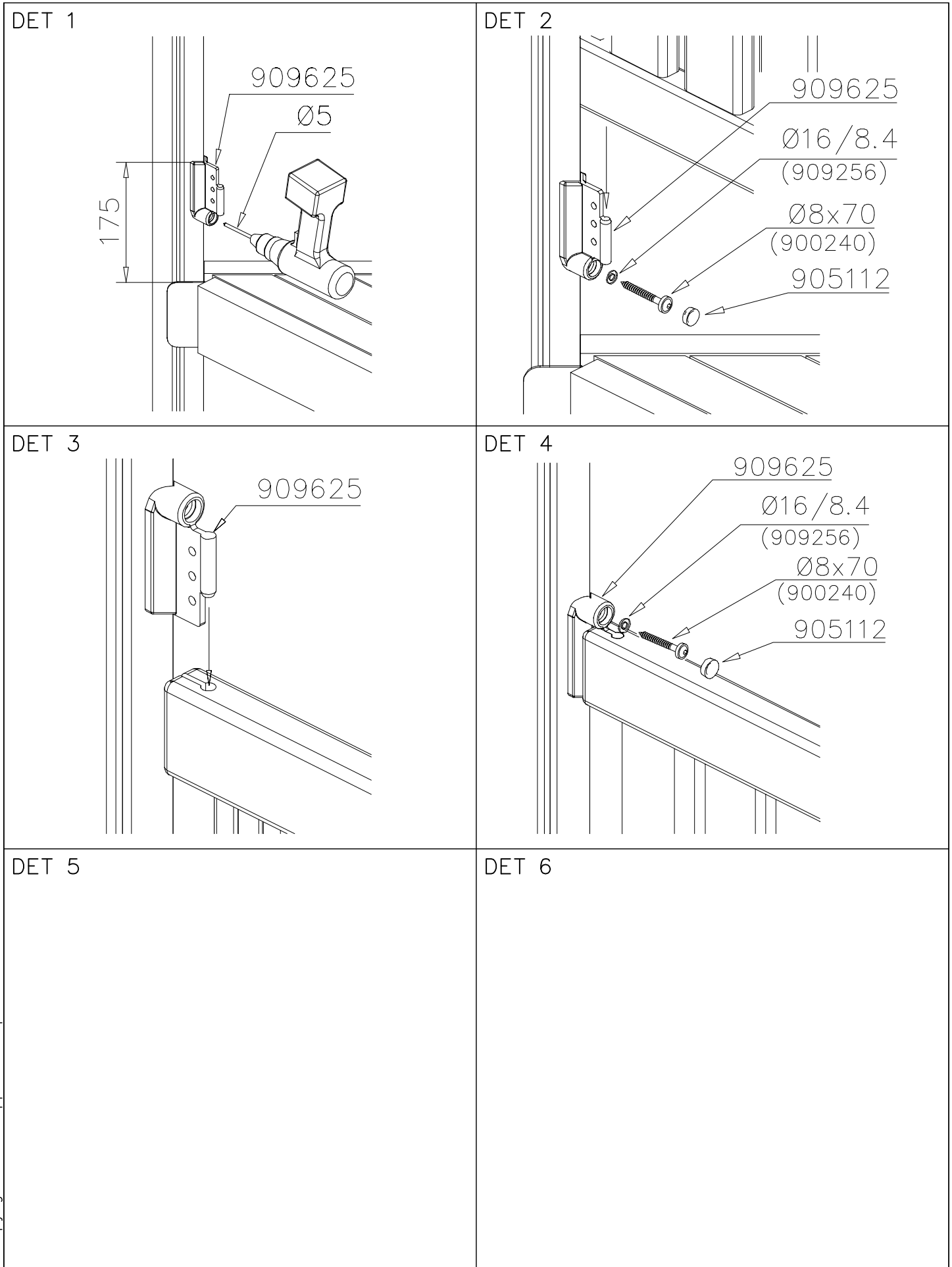


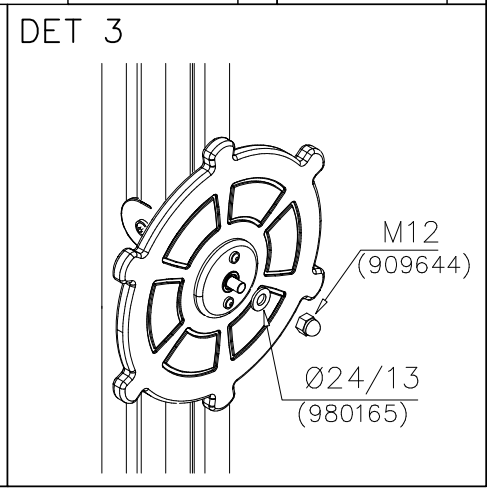
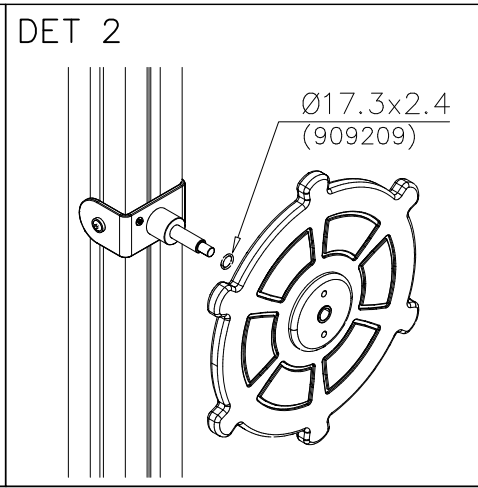
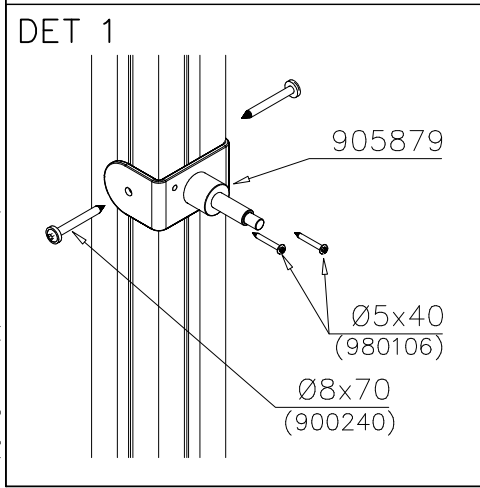
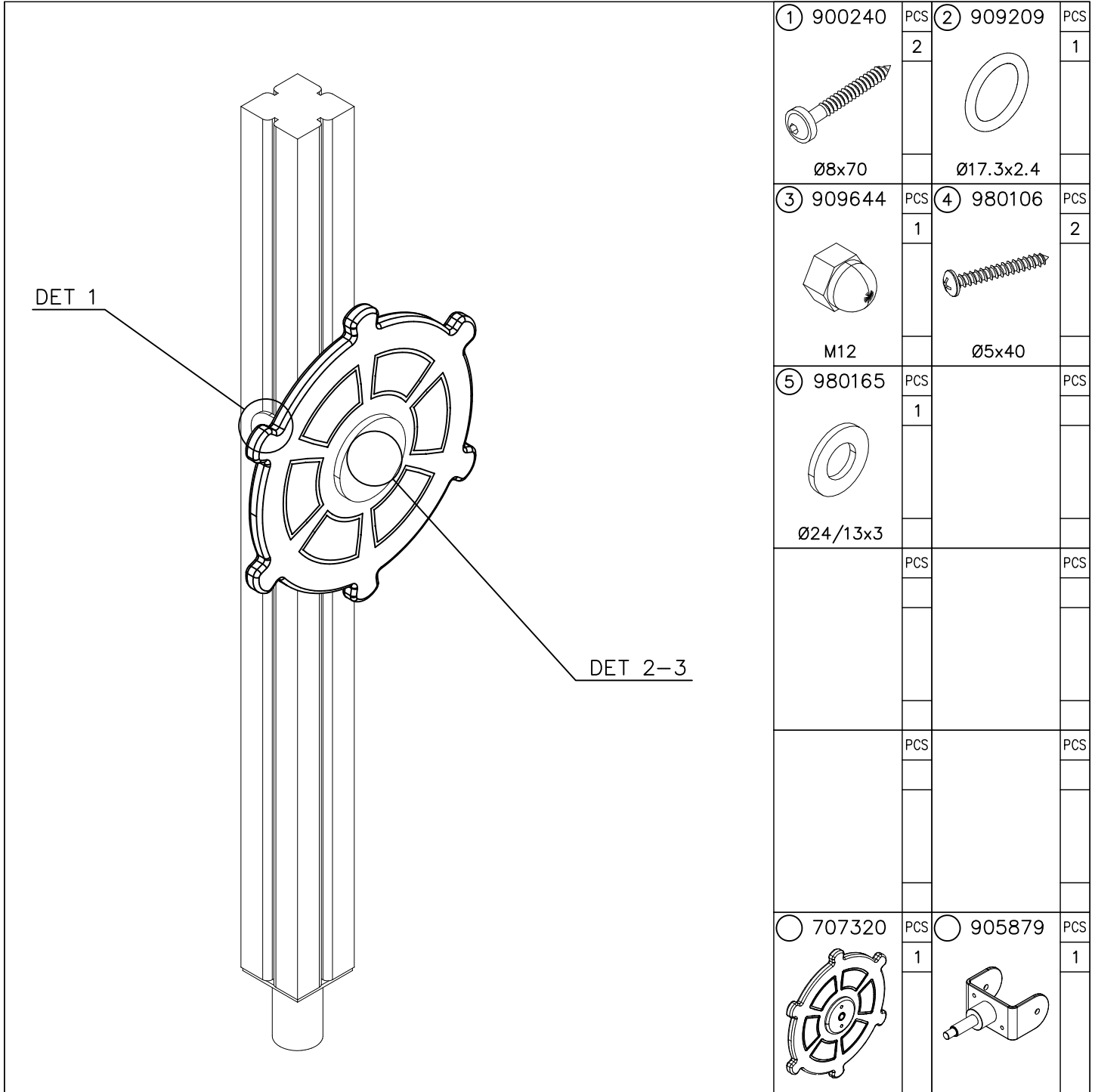


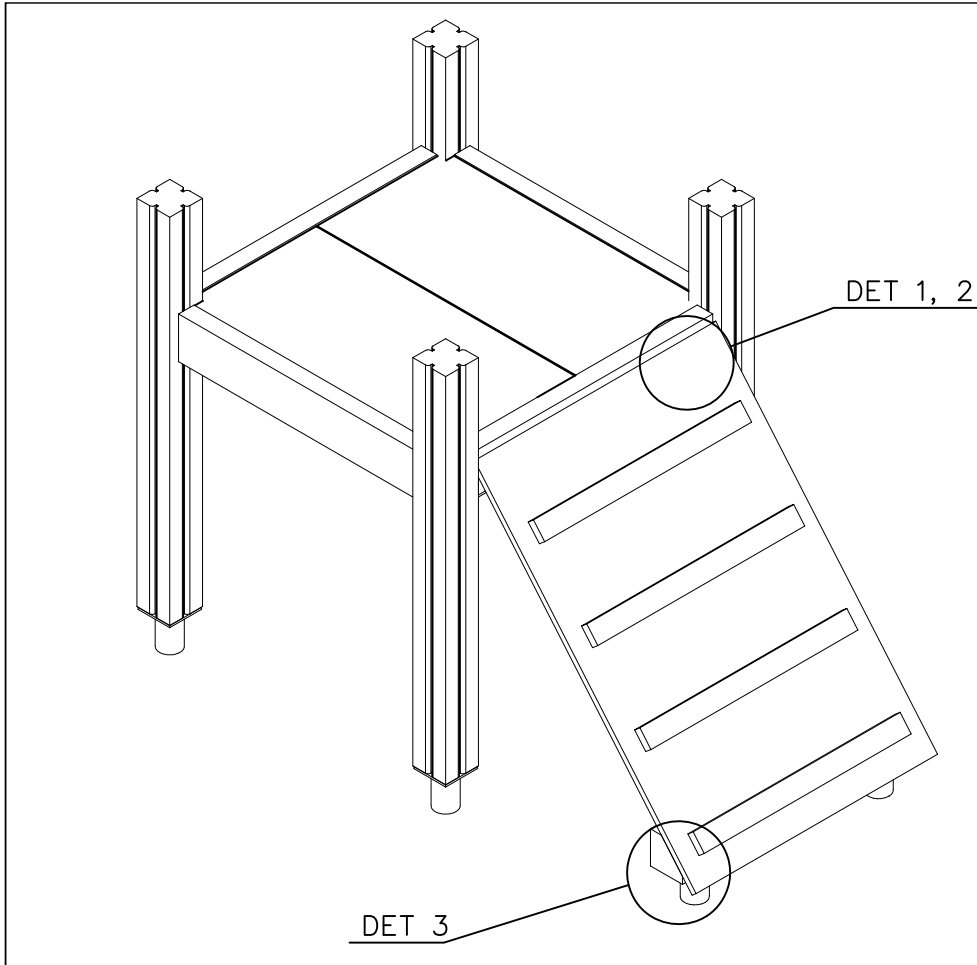


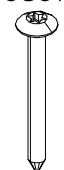
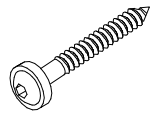

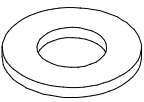
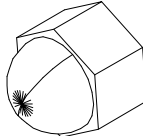
WOODEN WALL OPTIONS

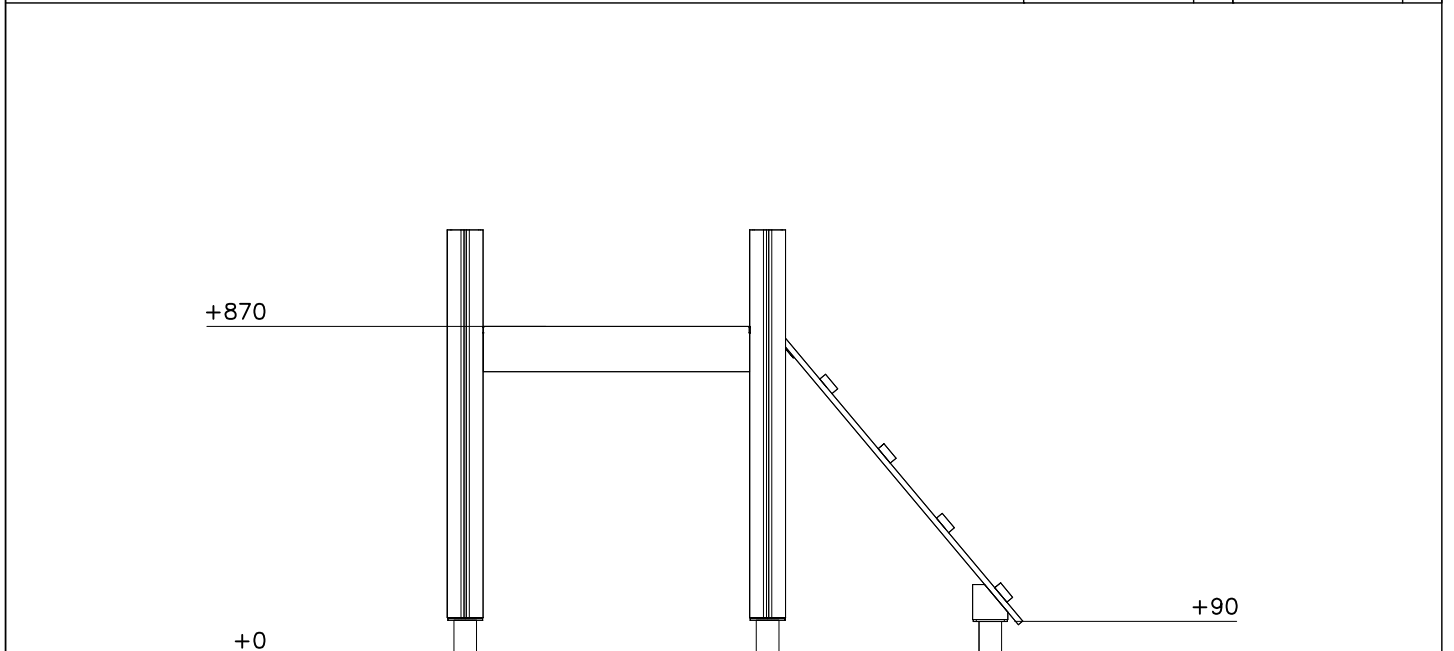
|                          |            |           |
|--------------------------|------------|-----------|
| <br>706997<br>45x640x984 | 706997-605 | DARK GRAY |
|                          | 706997-606 | GRAY      |
|                          | 706997-607 | RED       |
|                          | 706997-608 | BLUE      |
|                          | 706997-609 | GREEN     |
|                          | 706997-610 | YELLOW    |
|                          | 706997-611 | LIME      |
|                          | 706997-612 | FUXIA     |
|                          |            |           |
|                          |            |           |
|                          |            |           |
|                          |            |           |





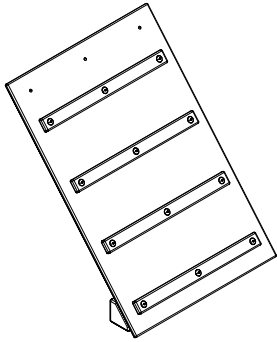


|   |        |     |   |        |     |
|---|--------|-----|---|--------|-----|
| ①   | 980128 | PCS | ②   | 900240 | PCS |
|  |        | 8   |  |        | 4   |
| Ø7x40   |        |     | Ø8x70   |        |     |
| ③   | 909852 | PCS | ④   | 909256 | PCS |
|  |        | 3   |  |        | 7   |
| M8x30   |        |     | Ø16/8.4x1.6   |        |     |
| ⑤   | 909633 | PCS |   |        | PCS |
|  |        | 3   |   |        |     |
| M8  |        |     |   |        |     |
|   |        | PCS |   |        | PCS |
|   |        |     |   |        |     |
|   |        |     |   |        |     |



### CLIMB OPTIONS

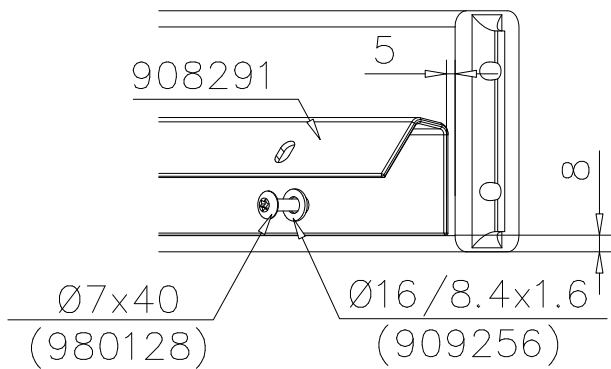
707418



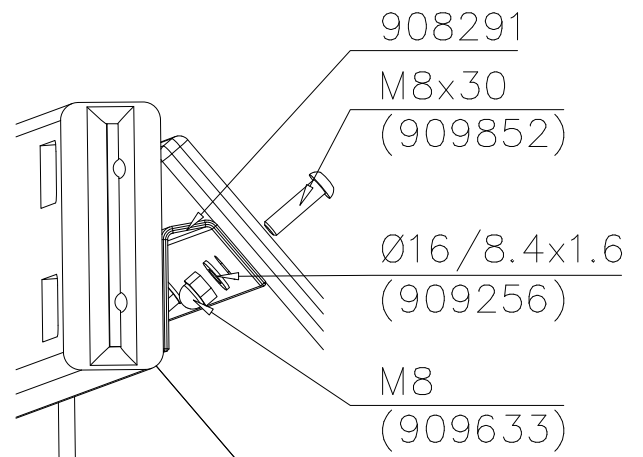
700x1000

|            |           |
|------------|-----------|
| 707418-701 | BLUE      |
| 707418-702 | YELLOW    |
| 707418-703 | LIME      |
| 707418-704 | DARK GREY |
| 707418-705 | GREY      |
| 707418-706 | RED       |
| 707418-707 | GREEN     |
| 707418-708 | FUCHSIA   |

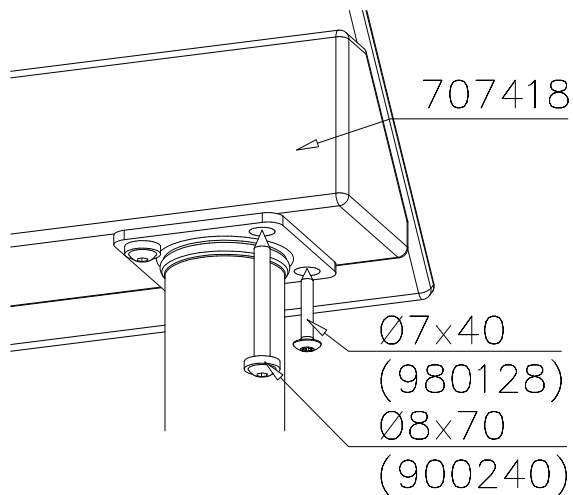
DET 1



DET 2



DET 3





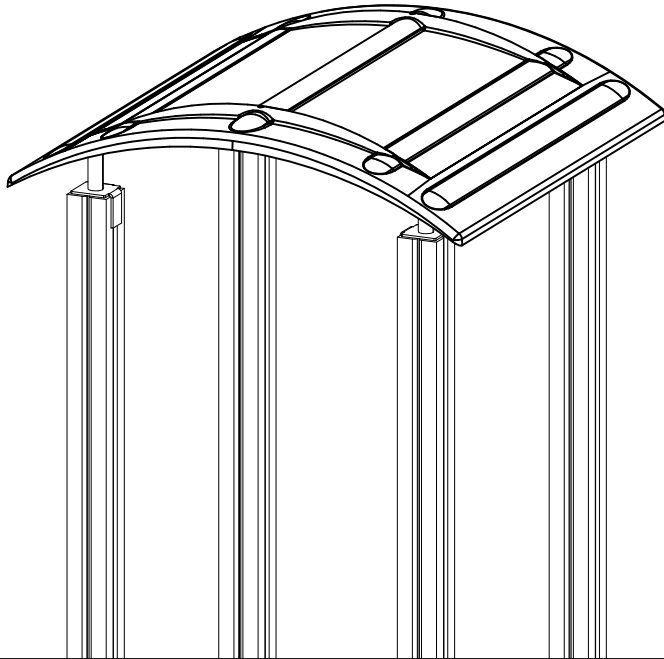
|   |     |  |     |
|---|-----|--|-----|
| ① 900240  | PCS |  | PCS |
|  | 2   |  |     |
| Ø8x70   |     |  |     |
|   | PCS |  | PCS |
|   |     |  |     |
|   | PCS |  | PCS |
|   |     |  |     |

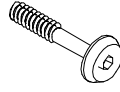



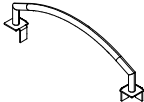



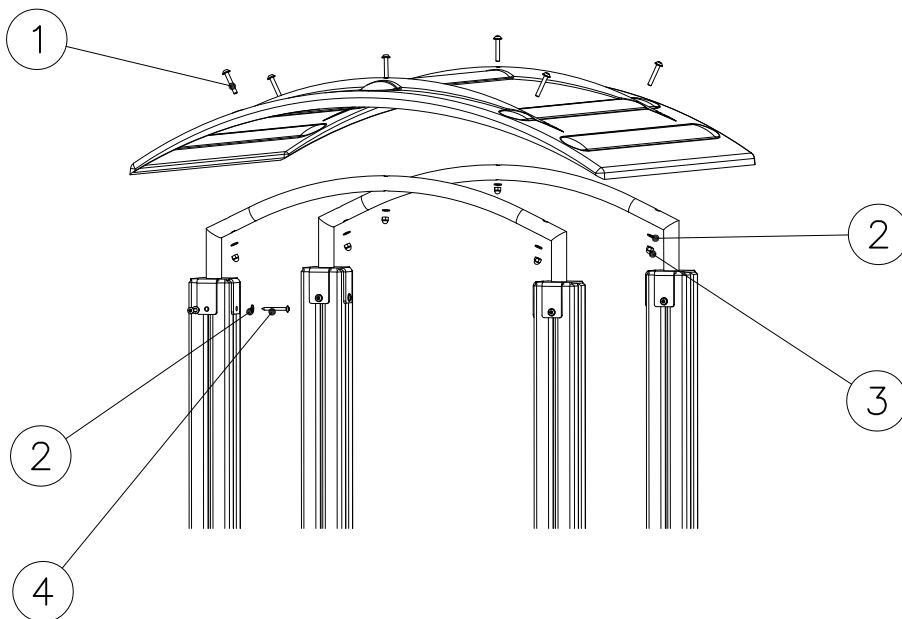
|   |     |   |     |
|---|-----|---|-----|
| ○ 707302  | PCS | ○ 707303  | PCS |
|  | 1   |  | 1   |
| ○ 707304  | PCS | ○ 707305  | PCS |
|  | 1   |  | 1   |
|   | PCS |   | PCS |
|   |     |   |     |

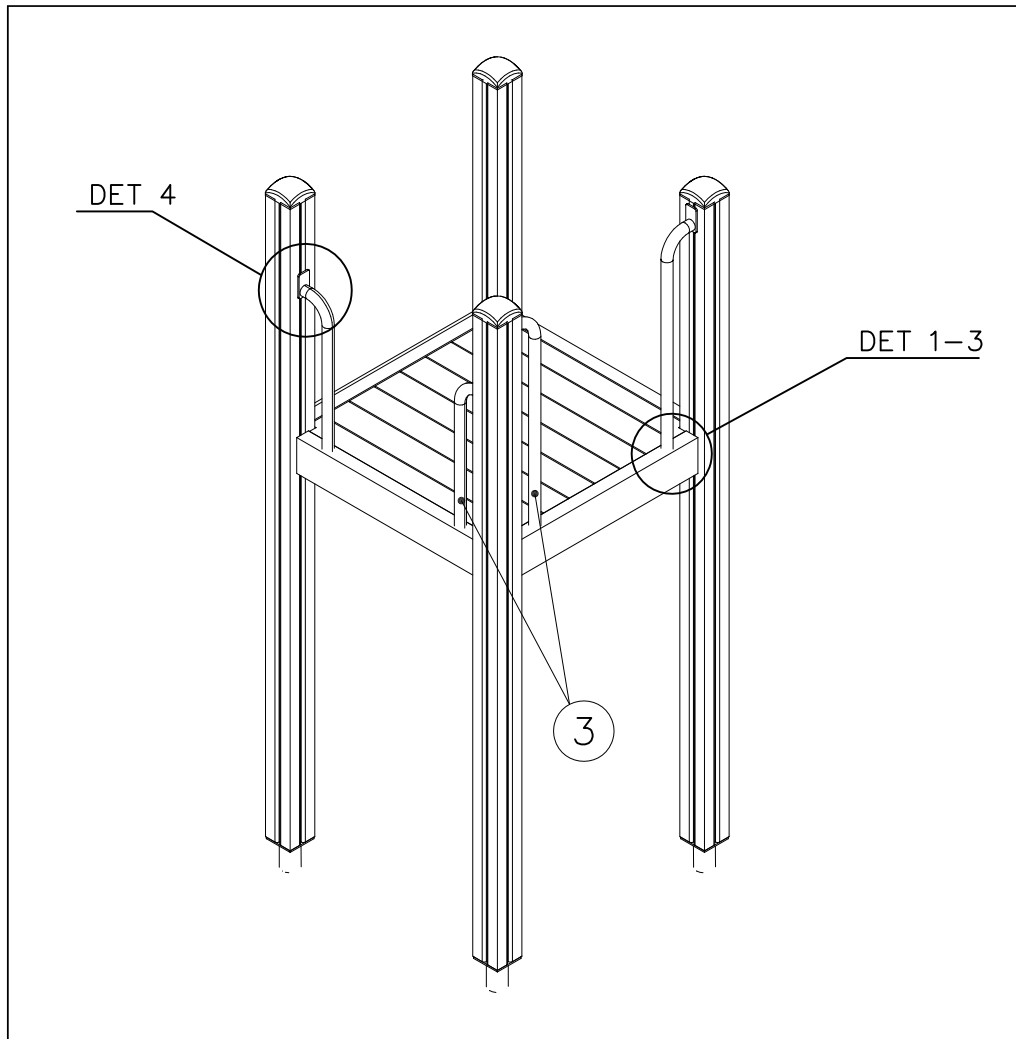


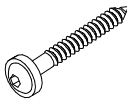



|  |     |  |     |
|--|-----|--|-----|
|  | PCS |  | PCS |
|  |     |  |     |
|  | PCS |  | PCS |
|  |     |  |     |

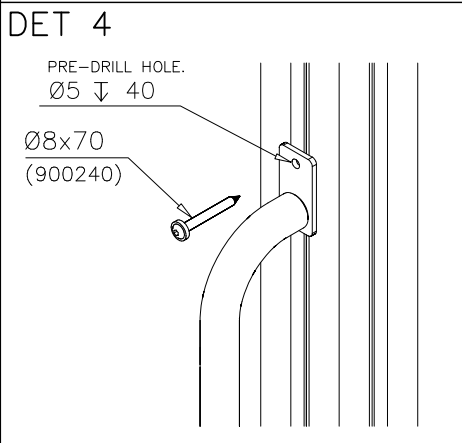
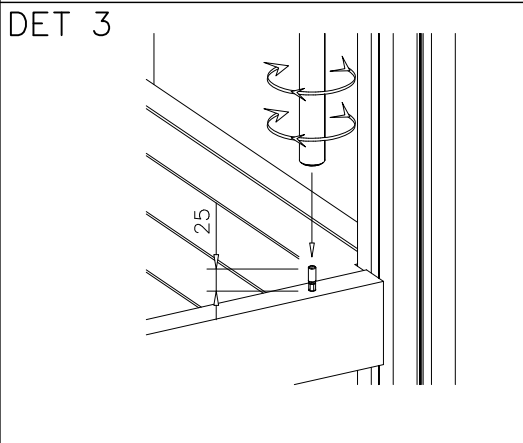
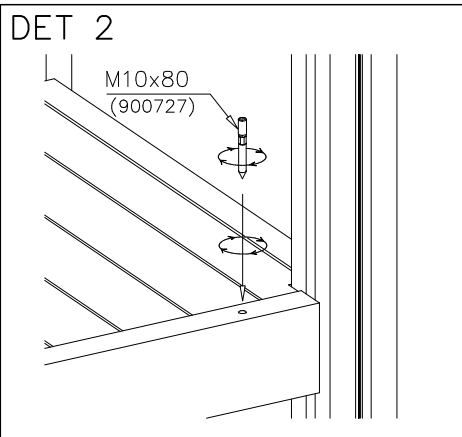
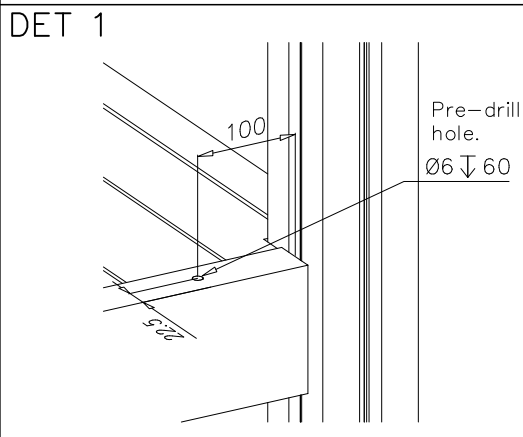


|   |   |     |   |   |     |
|---|---|-----|---|---|-----|
| ① | 909868  | PCS | ② | 909256  | PCS |
|   |   | 6   |   |   | 14  |
|   |    |     |   |    |     |
|   | M8x50   |     |   | Ø16/8.4   |     |
| ③ | 909633  | PCS | ④ | 980123  | PCS |
|   |   | 6   |   |   | 8   |
|   |    |     |   |    |     |
|   | M8  |     |   | Ø7x60   |     |
|   |   | PCS |   |   | PCS |
|   |   |     |   |   |     |
|   |   | PCS |   |   | PCS |
|   |   |     |   |   |     |
| ○ | 908330  | PCS | ○ | 908251  | PCS |
|   |   | 2   |   |   | 1   |
|   |  |     |   |  |     |
|   |   |     |   | 1100x1100x215   |     |
|   |   | PCS |   |   | PCS |
|   |   |     |   |   |     |
|   |   | PCS |   |   | PCS |
|   |   |     |   |   |     |
|   |   | PCS |   |   | PCS |
|   |   |     |   |   |     |





|   |     |   |     |
|---|-----|---|-----|
| ① 900240  | PCS | ② 900727  | PCS |
|  | 1   |  | 1   |
| Ø8x70   |     | M10x80  |     |
|   | PCS |   | PCS |
|   |     |   |     |
|   |     |   |     |
| ③ 907688  | PCS | ③ 907701  | PCS |
|  | 1   |  | 1   |
| 765   |     | 545   |     |
|   | PCS |   | PCS |
|   |     |   |     |
|   |     |   |     |
|   | PCS |   | PCS |
|   |     |   |     |
|   |     |   |     |
|   |     |   |     |
|   | PCS |   | PCS |
|   |     |   |     |
|   |     |   |     |
|   |     |   |     |
|   | PCS |   | PCS |
|   |     |   |     |
|   |     |   |     |





**Tuotekyltti tulee tuotteen mukana yhdellä seuraavista tavoista:****1) Metallinen tuotekyltti ja kiinnitysruuvit**

- Kiinnitä tuotekyltti ruuveilla tolppaan noin 2 metrin korkeuteen kuvan 1 mukaisesti.

**2) Tuotekylttitarra**

- Puhdista maalattu metalli- tai vaneripinta pölystä ja kosteudesta. Liimaa tarra kuvan 2 mukaisesti.
- Huom. Älä kiinnitä tarraa karheapintaiseen laminaattiin tai maalattuun puuhun.

**Vår produktmärkning levereras på ett av följande sätt:****1) Produktskylt i metall**

- Fäst skylten med de medföljande skruvarna

**2) Självhäftande produktetikett**

- Rengör den pulverlackerade metallytan eller laminatyten så att den blir fri från smuts och fukt. Fäst etiketten enligt fig. 2.
- Obs! Fäst ej etiketten på detaljer med skrovlig yta eller på målat trä.

**Product label is delivered by one of following ways:****1) Metal product label and screws**

- Fasten the label with screws.

**2) Label sticker**

- Clean the painted metal or plywood surface from dirt and moisture. Fasten the sticker as shown in the figure 2.
- Note. Do not attach the sticker to rough surfaced laminate or painted wood.

**La plaque d'informations produit est livrée sous l'une de ces 3 formes :****1) Plaque métallique et vis**

- Fixez la plaque à l'aide des vis.

**2) Etiquette autocollante**

- Avant de coller l'étiquette, nettoyez le composant métallique peint ou la plaque de contreplaqué, de toute saleté. La surface doit être sèche (voir image 2).
- Attention, ne pas coller l'étiquette sur une surface lamellé-collée irrégulière ou sur du bois peint.

**Die Auslieferung des Produktaufklebers erfolgt auf eine dieser Arten:****1) Produkt-Schild aus Metall incl. Schrauben**

- Die Befestigung des Schildes erfolgt mittels der Schrauben.

**2) Aufkleber**

- Entfernen Sie zunächst Schmutz und Feuchtigkeit vom lackierten Metall bzw. von der Holzoberfläche und bringen Sie den Aufkleber wie im Bild oben rechts beschrieben auf den gesäuberten Untergrund auf.
- Beachten Sie: Bringen Sie den Aufkleber nicht auf raues laminiertes oder lackiertes Holz an.