

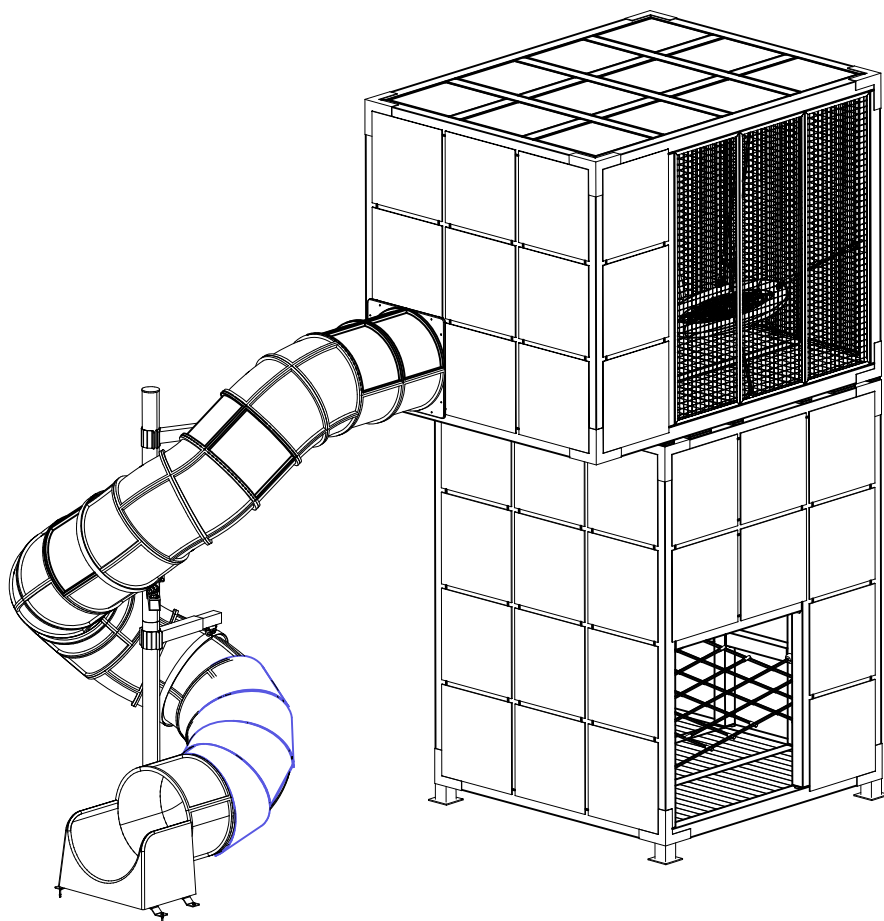
LAPPSET®

CUBIC

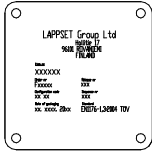
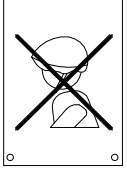
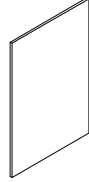
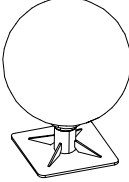
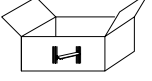
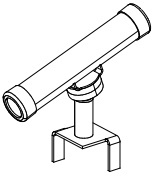
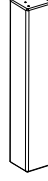






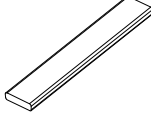
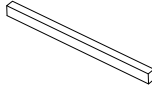
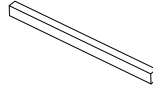

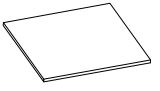

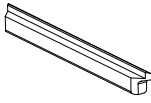

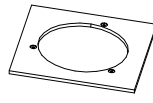
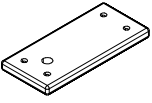
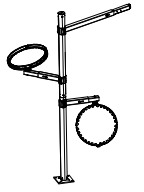
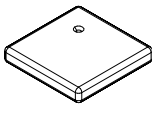
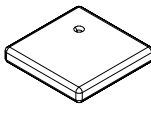
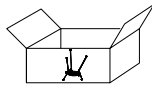
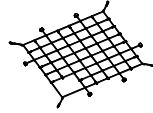
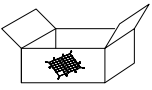


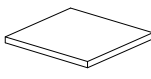
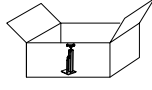
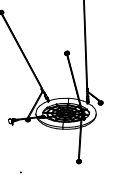
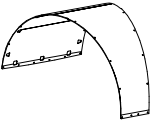
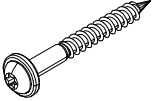
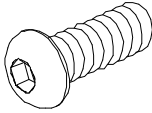

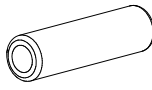

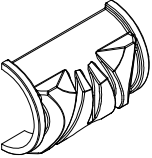
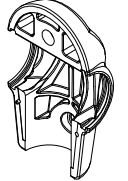
ASENNUSOHJE
MONTERINGSANSVISNING
INSTALLATION INSTRUCTION
AUFBAUANLEITUNG
NOTICE D'INSTALLATION

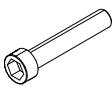
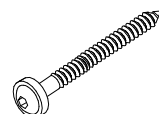

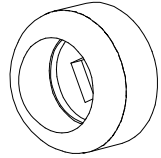
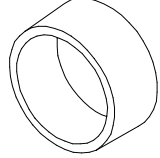
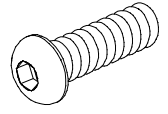
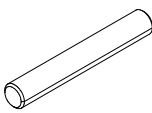
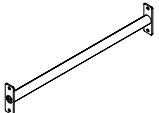
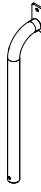
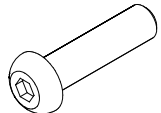
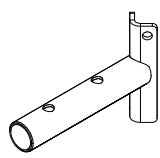
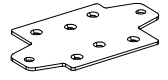
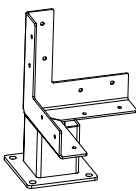
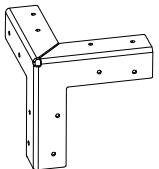
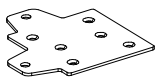

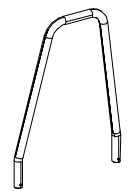


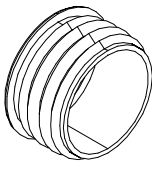
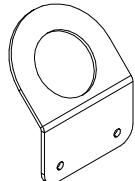
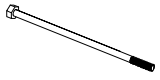
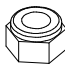

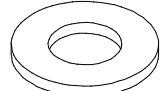
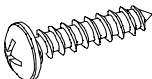
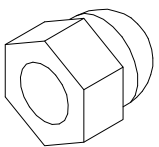
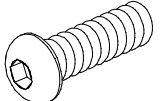
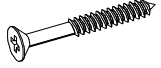

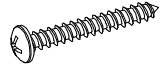

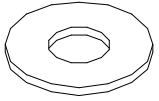

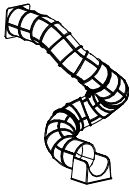
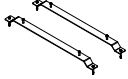
DATE: 2.11.2021

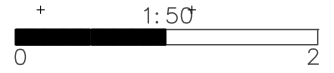
Q15940



DATE: 2.11.2021

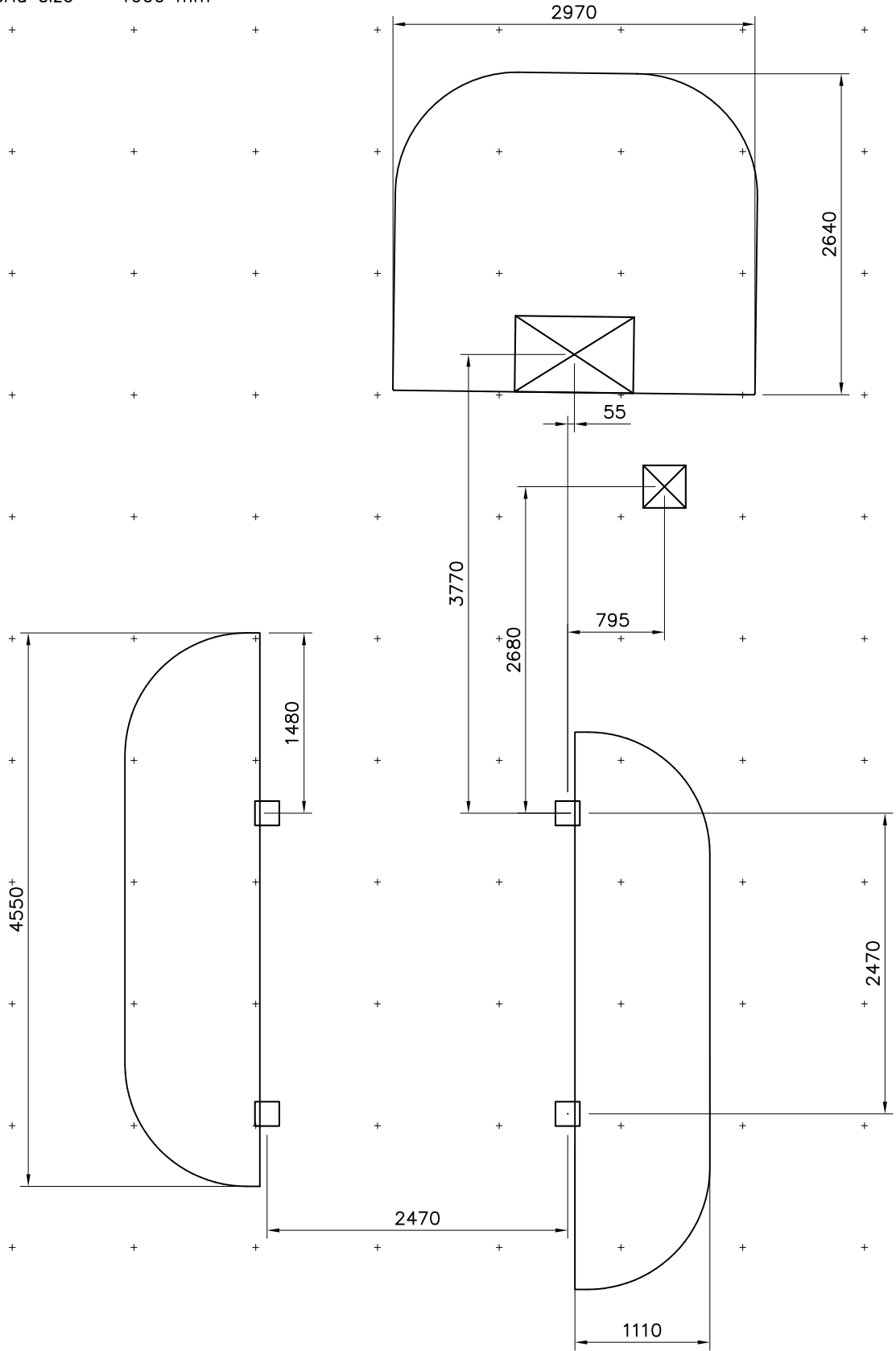
702286  65x65	PCS 1	702339  118x78	PCS 1	702533  118x78	PCS 1	703616  Ø450	PCS 1	706753 	PCS 1	707304 	PCS 1
708109-614  118x118x697	PCS 65	708110-614  118x118x1522	PCS 4	708111-614  118x118x2345	PCS 17	708114-614  118x118x3168	PCS 12	708194-614  118x118x2573	PCS 12	708202-614  118x118x3396	PCS 4
708221  701x695x32	PCS 16	708223  32x120x700	PCS 6	708225  32x45x640	PCS 48	708226  32x45x793	PCS 12	708228  8x785x785	PCS 54	708229  20x702x702	PCS 1
708230  20x670x670	PCS 5	708234-614  45x68x700	PCS 100	708235  16x670x670	PCS 20	708244  20x702x702	PCS 1	708258  20x118x260	PCS 32	708296  1	PCS 1
708301  15x118x118	PCS 8	708302  20x118x118	PCS 8	708323  1	PCS 1	708339-305  2325x2325	PCS 3	708348  3	PCS 3	708350  15x190x700	PCS 1
708351-614  93x93x724	PCS 1	708352  20x320x320	PCS 1	708353  1	PCS 1	708633-305  1	PCS 1	708686  1	PCS 1	900240  Ø8x70	PCS 1064
900342  M8x16	PCS 2	900727  M10x80	PCS 4	901182  Ø11/M8x40	PCS 1	901302  Ø20/10.5x2	PCS 11	901900  2	PCS 2	901902  30.7x60.9x100	PCS 2

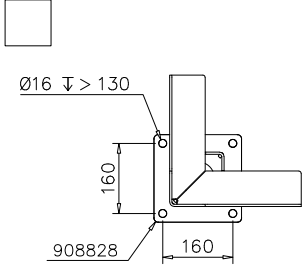
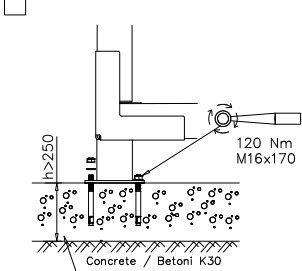
902232  M10x55	PCS 4	903093  Ø8x90	PCS 8	904450  M16x170	PCS 16	905090  Ø45	PCS 4	905115  Ø30	PCS 4	905827  M8x20	PCS 30
905984  Ø12x80	PCS 16	907694-216  L 704	PCS 4	907701-216  40x545x114	PCS 6	907727  M10x40	PCS 3	907783-216  3x180x108	PCS 2	908699  3x180x108	PCS 180
908828-221  336x336x445	PCS 4	908829-221  5x300x300x300	PCS 12	908835  3x144x144	PCS 16	908949  40x782x2346	PCS 9	908966-216  908967-216 	PCS 1	908967-216 	PCS 1
908969  Ø35	PCS 32	909027  5x140x202	PCS 4	909134  M12x240	PCS 16	909248  M12	PCS 16	909253  Ø32/13.5	PCS 32	909256  Ø16/8.4	PCS 80
909506  Ø3.5x13	PCS 4	909633  M8	PCS 31	909850  M8x25	PCS 1	980100  Ø5x60	PCS 1192	980101  Ø4.5x70	PCS 208	980114  Ø4x20	PCS 4
980123  Ø7x60	PCS 736	980152  Ø24/8.4x2	PCS 160	980161  M10	PCS 4	A10445-U  Ø5x60	PCS 1	702016  Ø4.5x70	PCS 1		PCS
	PCS		PCS		PCS		PCS		PCS		PCS



EN/AS Impact Area 16.6 m²

Grid size = 1000 mm

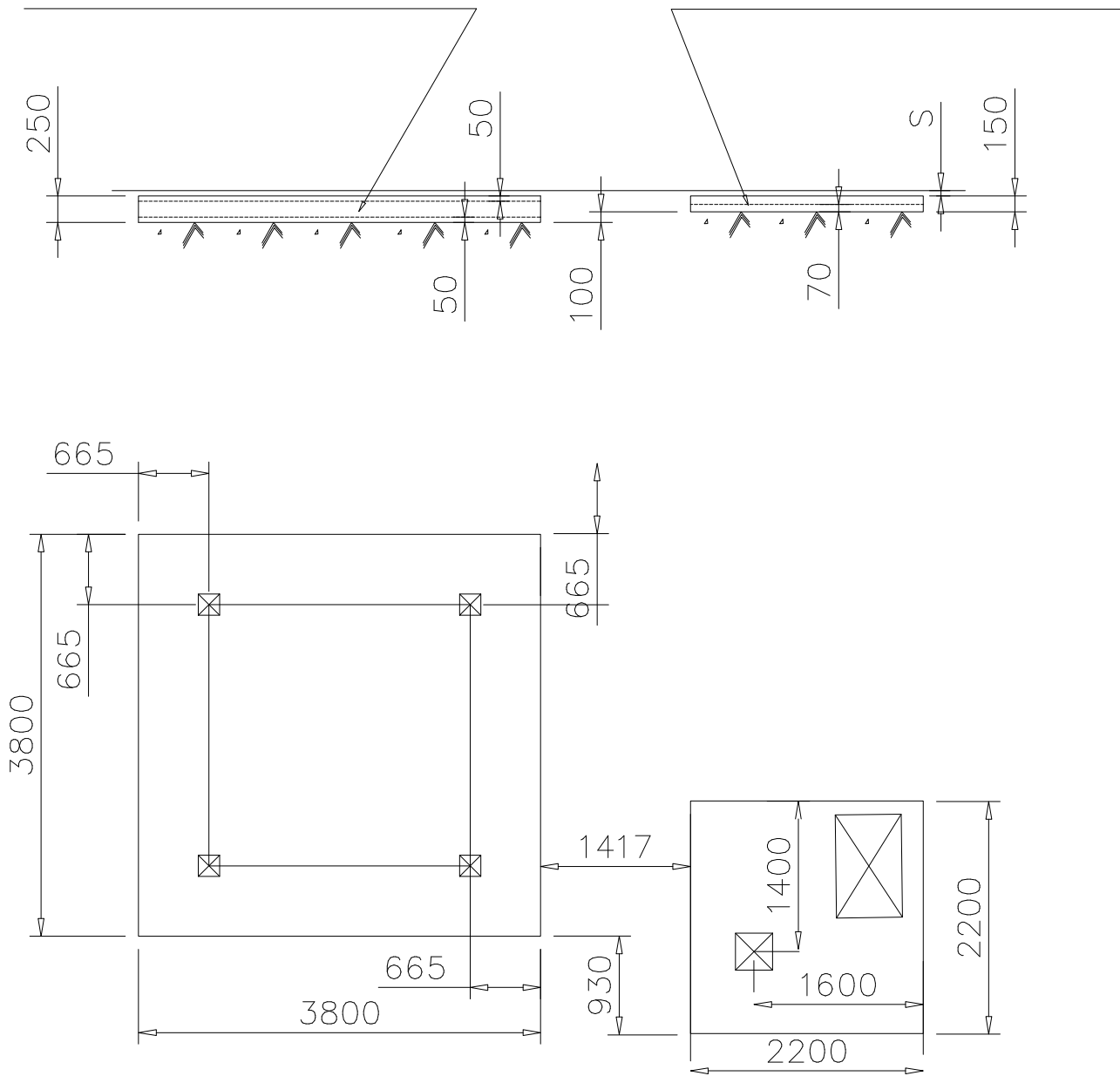


<p><input type="checkbox"/></p>  <p>Ø16 \downarrow > 130 160 908828 160</p>	<p><input type="checkbox"/></p>  <p>$h > 250$ 120 Nm M16x170 Concrete / Betoni K30</p>	

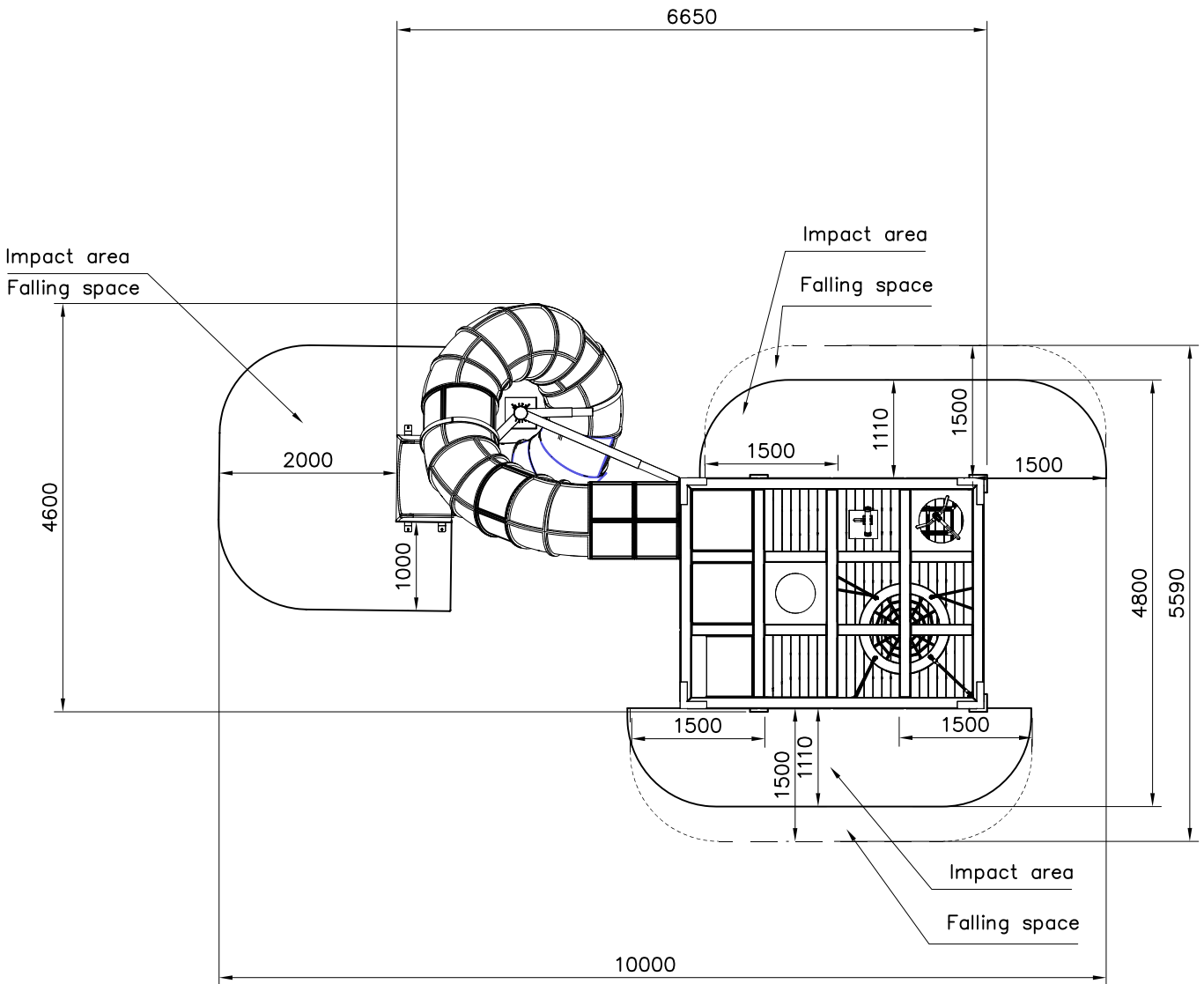
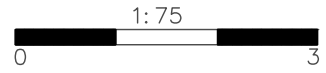
Q15940
FOUNDATION

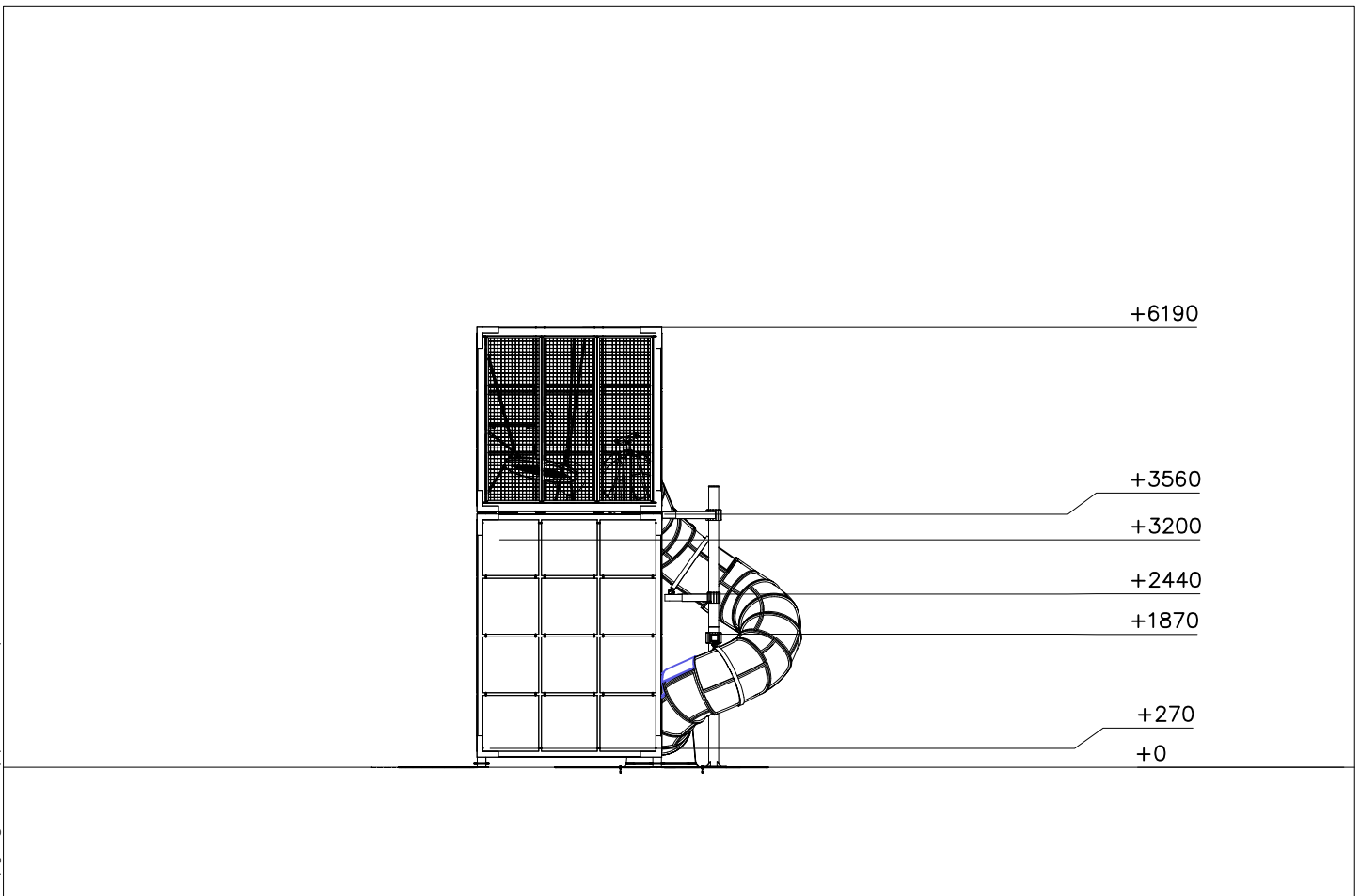
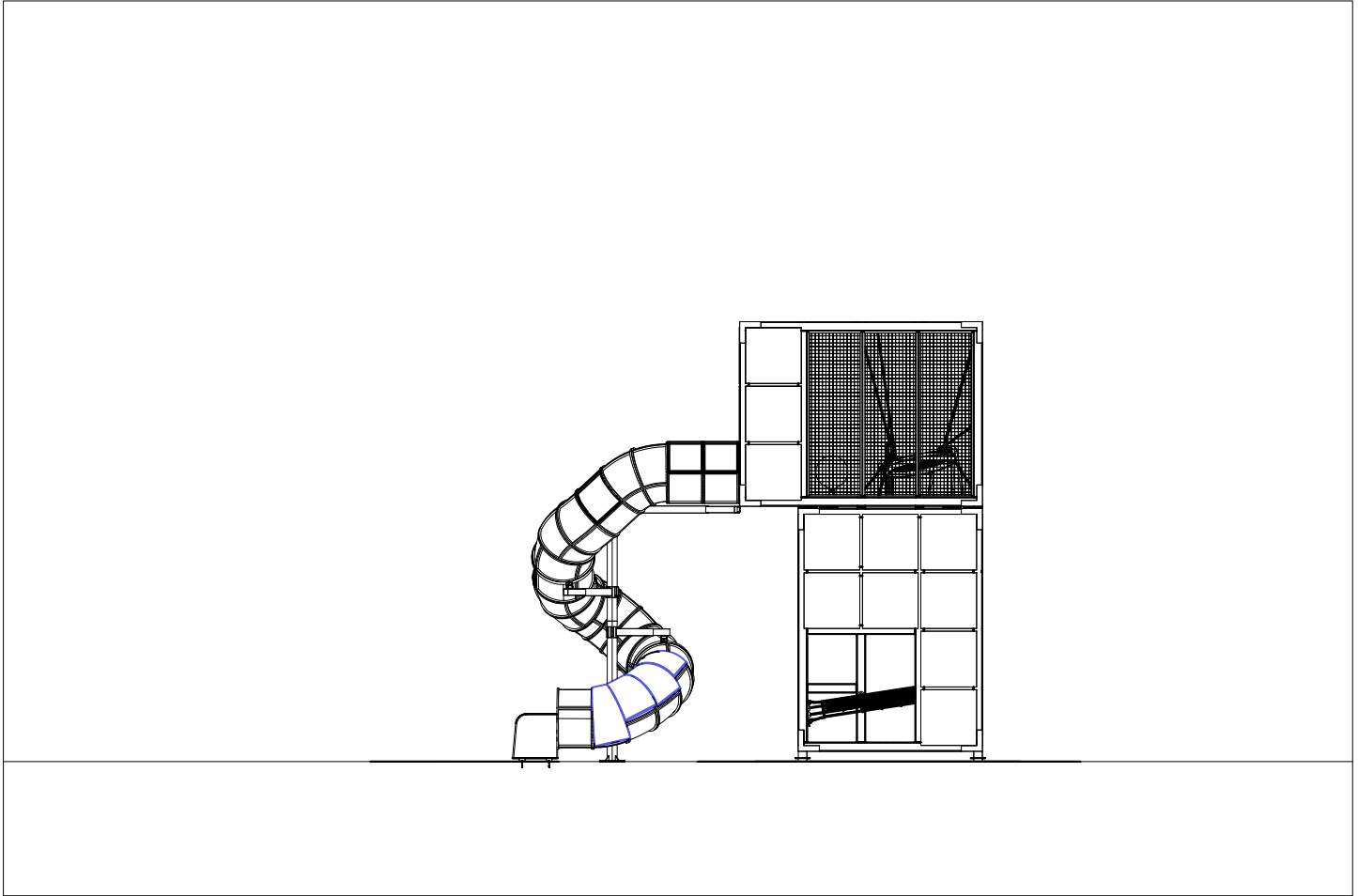
2X REINFORCEMENT
STEELNET Ø $\frac{8}{150}$ A 500 HW
CONCRETE K30

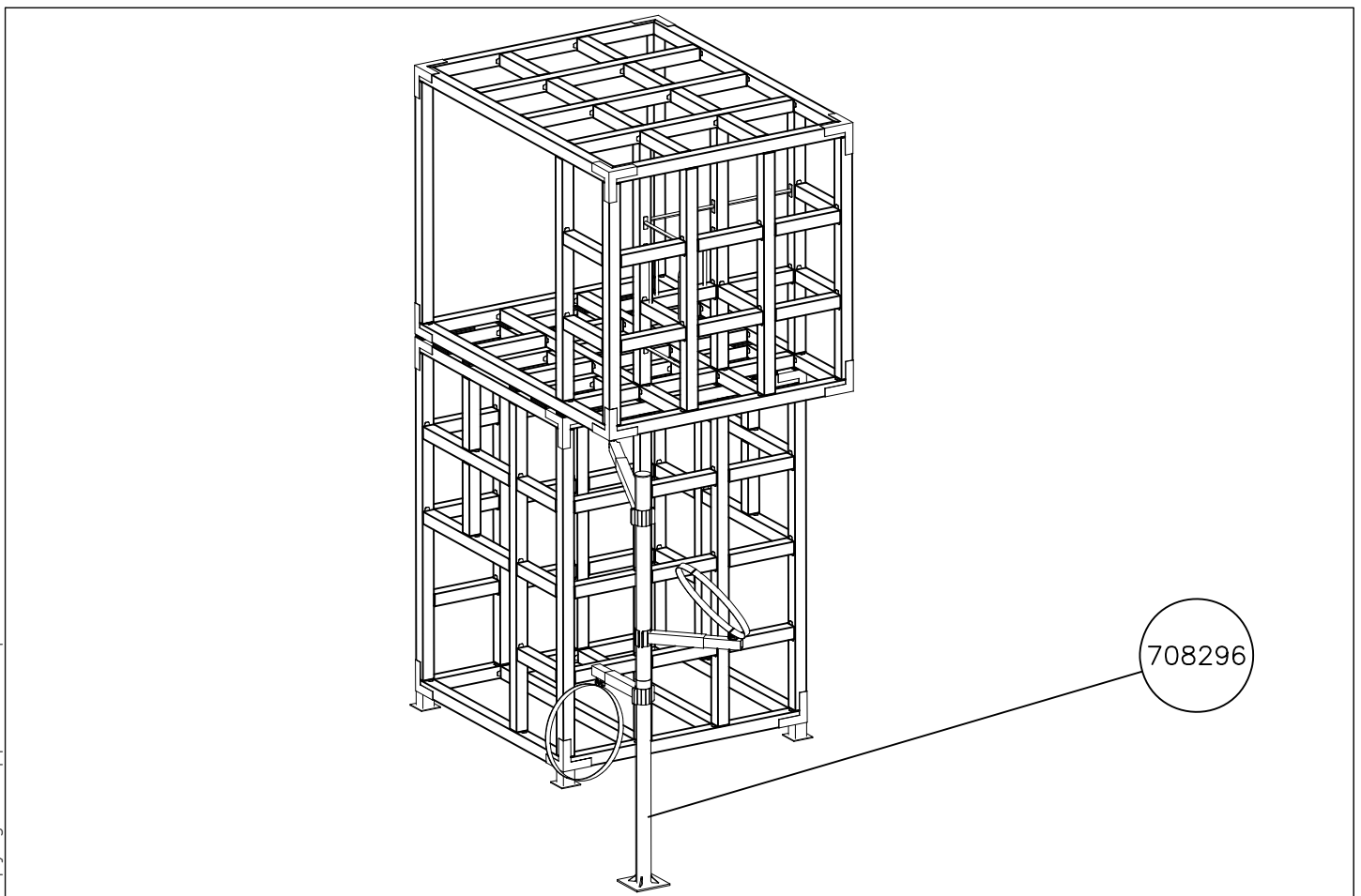
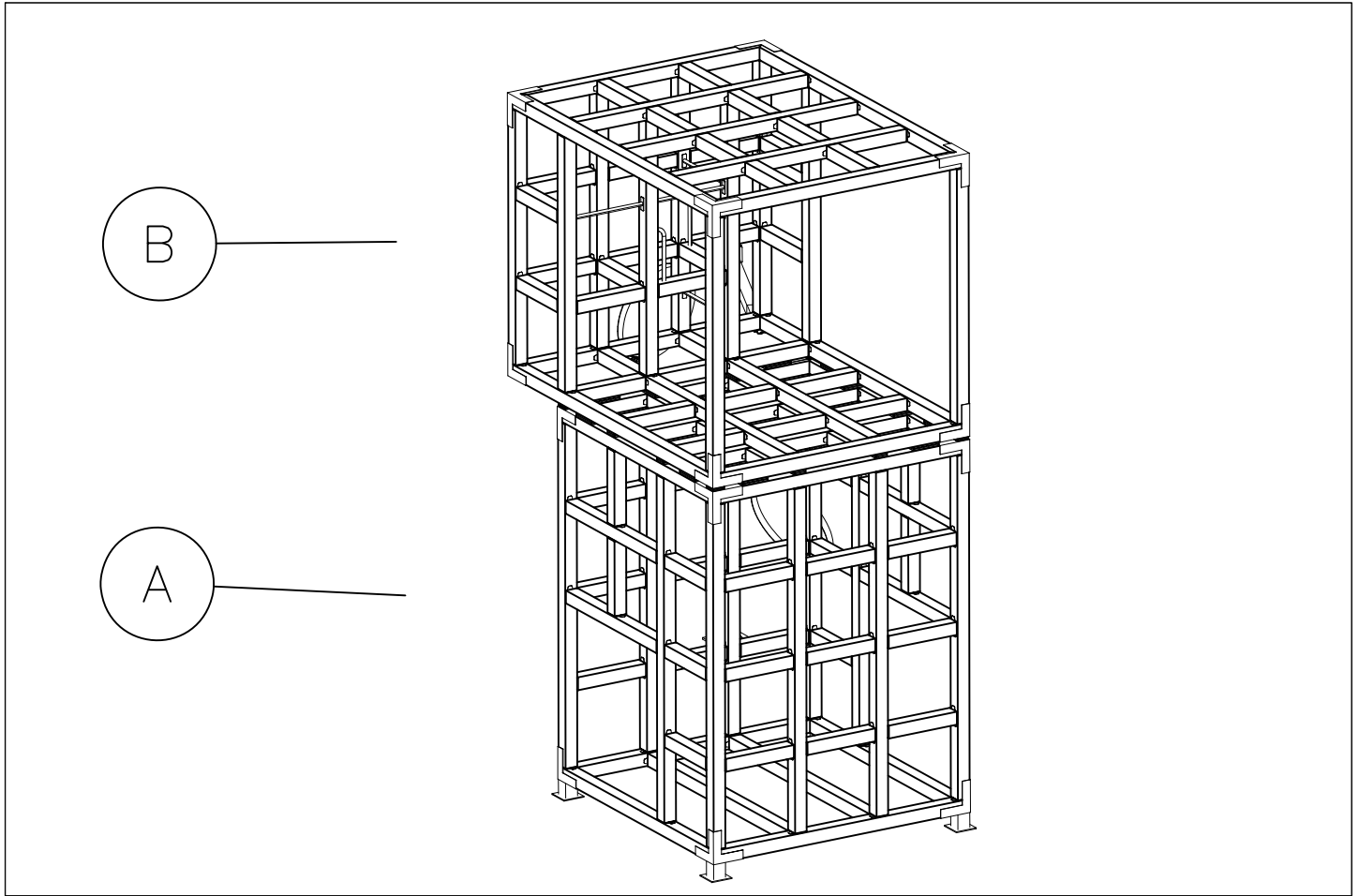
1X REINFORCEMENT
STEELNET Ø $\frac{8}{150}$ A 500 HW
CONCRETE K30



- EN/AS Impact Area 16.6 m²
- - - - Falling Space 20.2 m²
- Max Falling Height 1170 mm

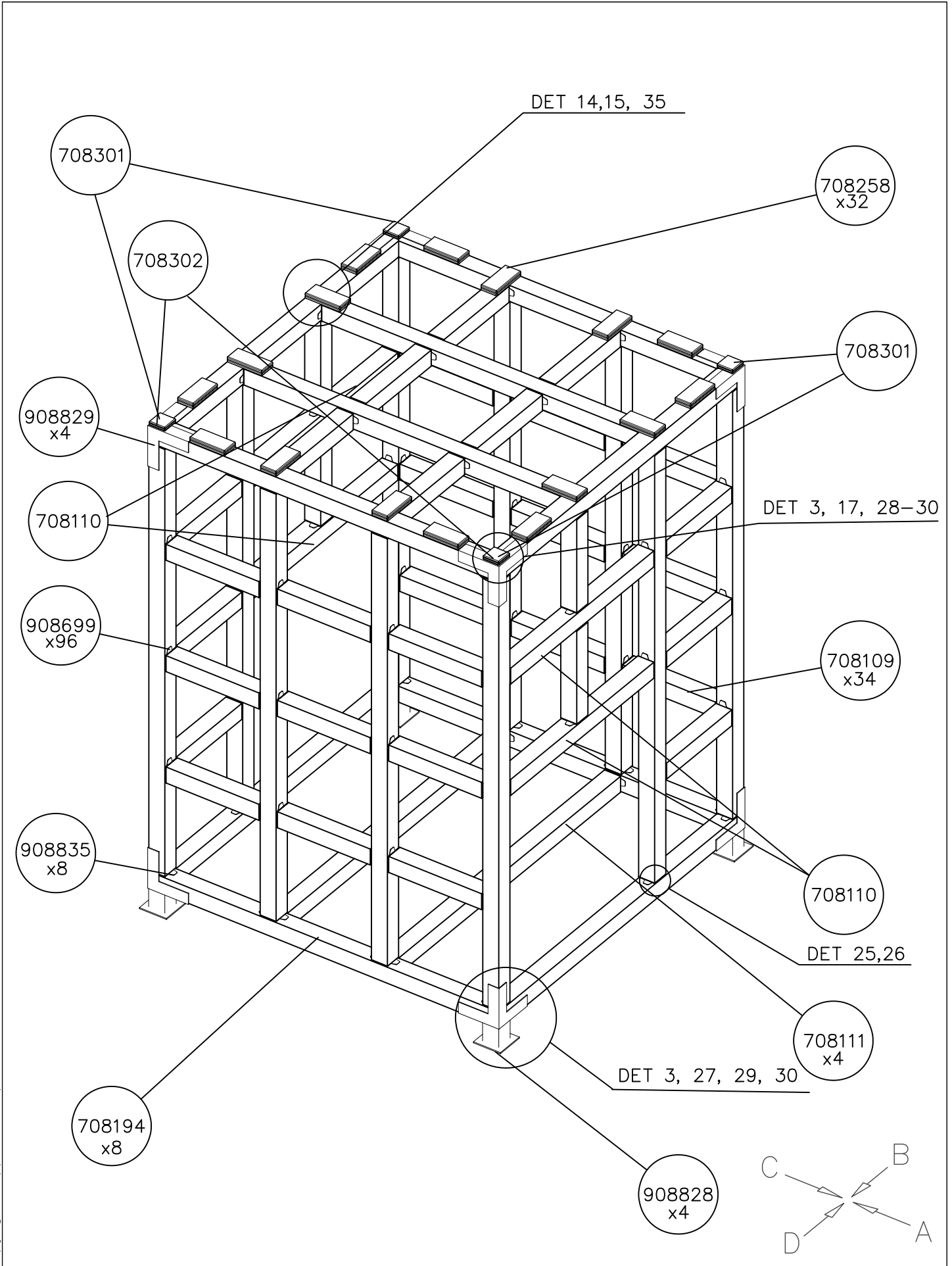


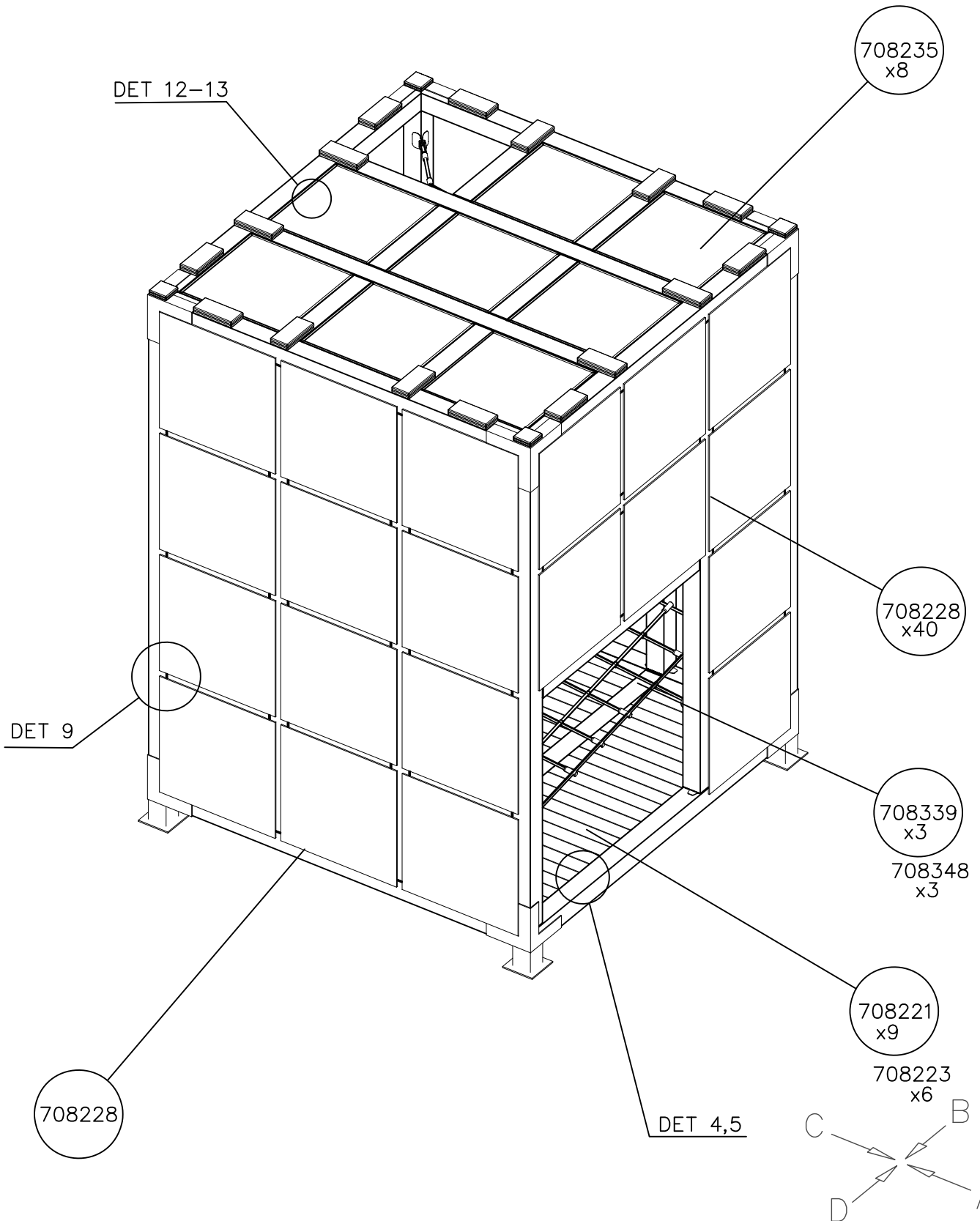


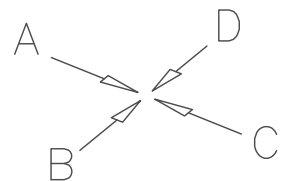
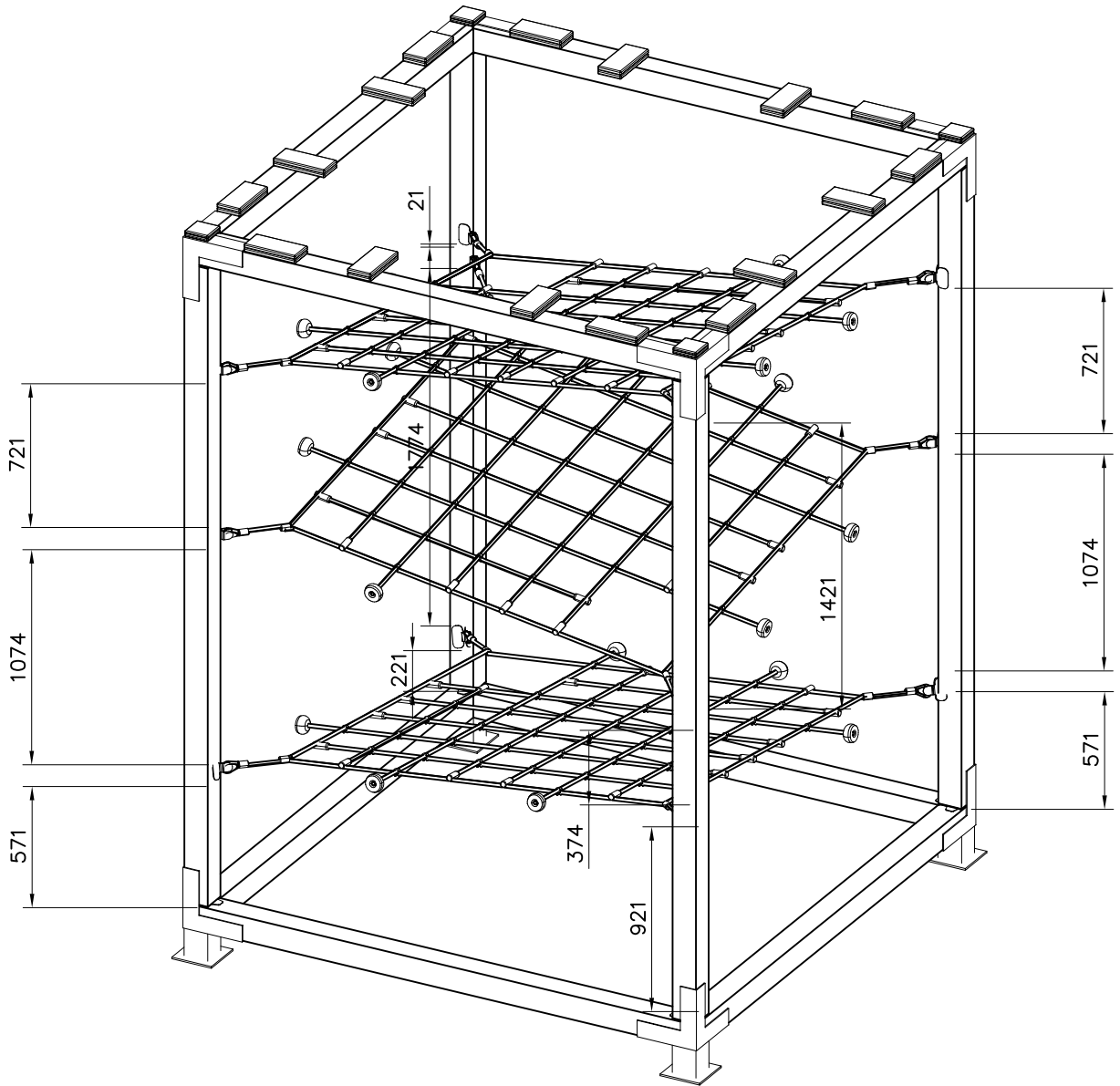


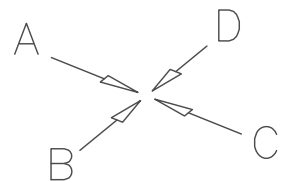
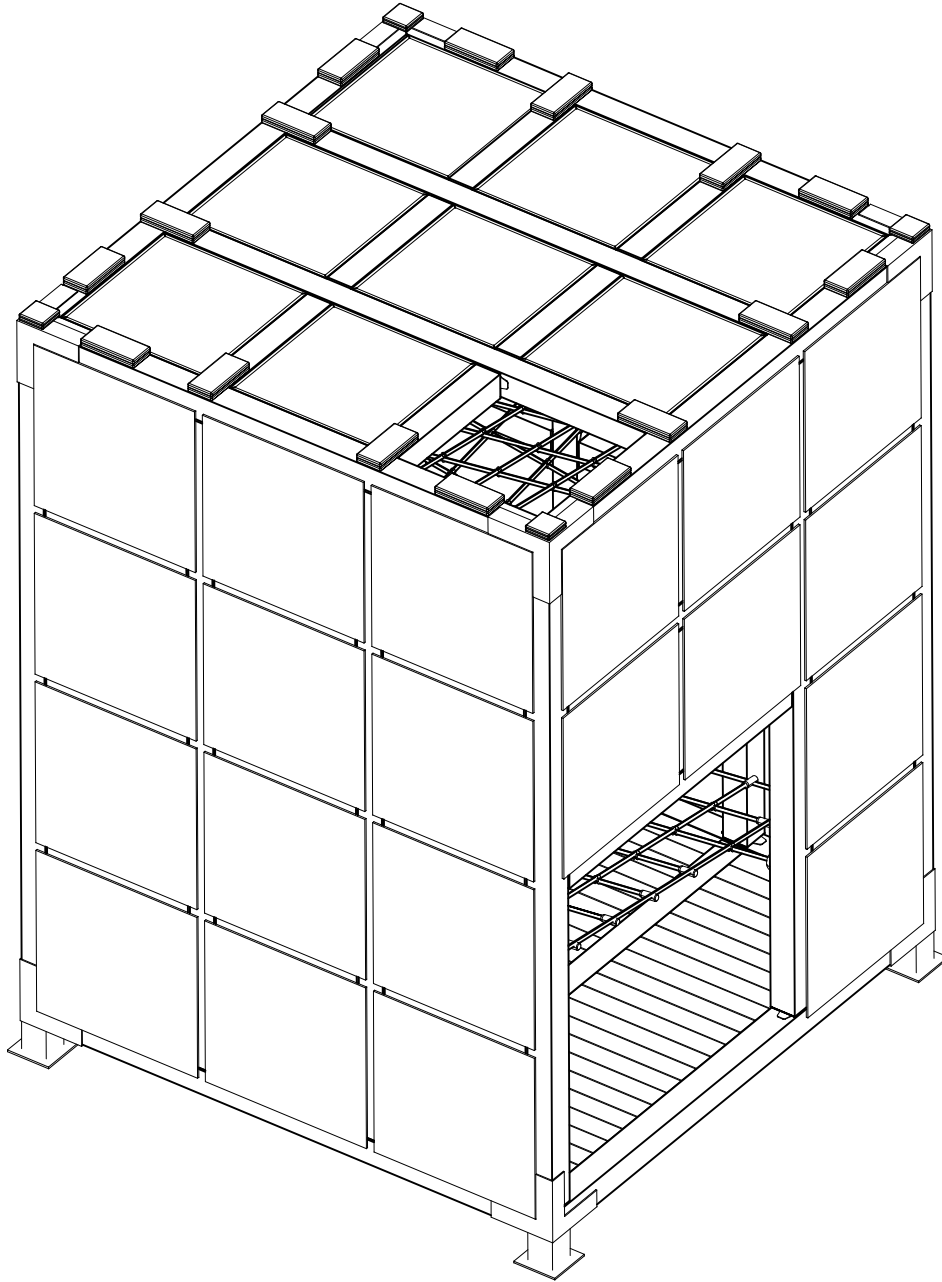
<p>DET 1</p>	<p>DET 2</p>	<p>DET 3</p>	<p>DET 4</p>
<p>DET 5</p>	<p>DET 6</p>	<p>DET 7</p>	<p>DET 8</p>
<p>DET 9</p>	<p>DET 10</p>	<p>DET 11</p>	<p>DET 12</p>
<p>DET 13</p>	<p>DET 14</p>	<p>DET 15</p>	<p>DET 16</p>
<p>DET 17</p>	<p>DET 18</p>	<p>DET 19</p>	<p>DET 20</p>

<p>DET 21</p>	<p>DET 22</p>	<p>DET 23</p>	<p>DET 24</p>
<p>DET 25</p>	<p>DET 26</p>	<p>DET 27</p>	<p>DET 28</p>
<p>DET 29</p>	<p>DET 30</p>	<p>DET 31</p>	<p>DET 32</p>
<p>DET 33</p>	<p>DET 34</p>	<p>DET 35</p>	



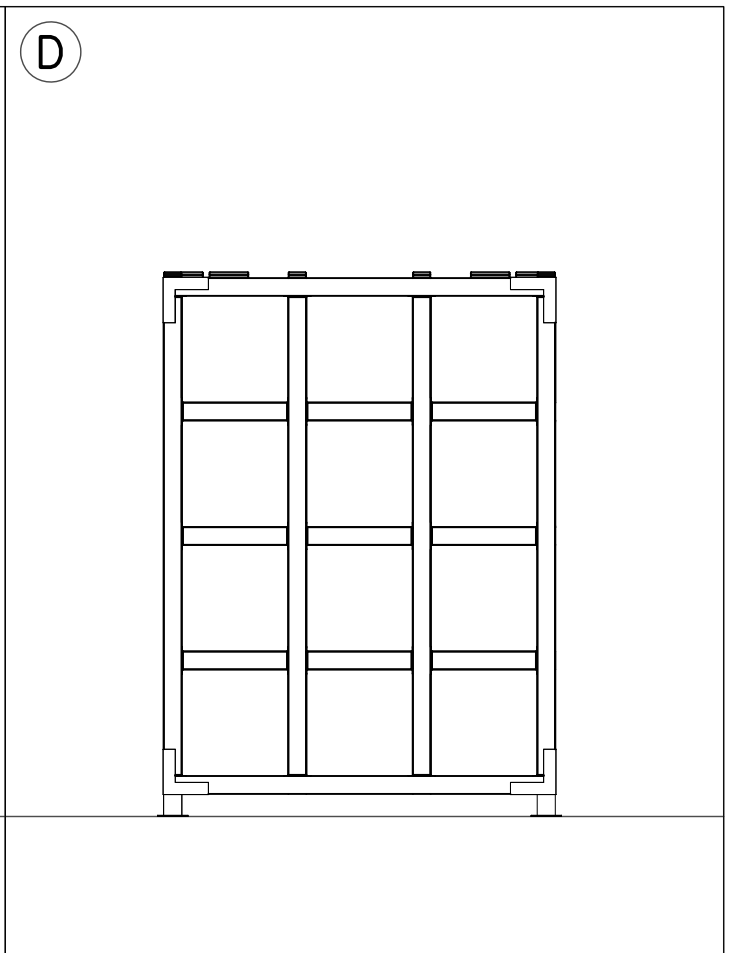
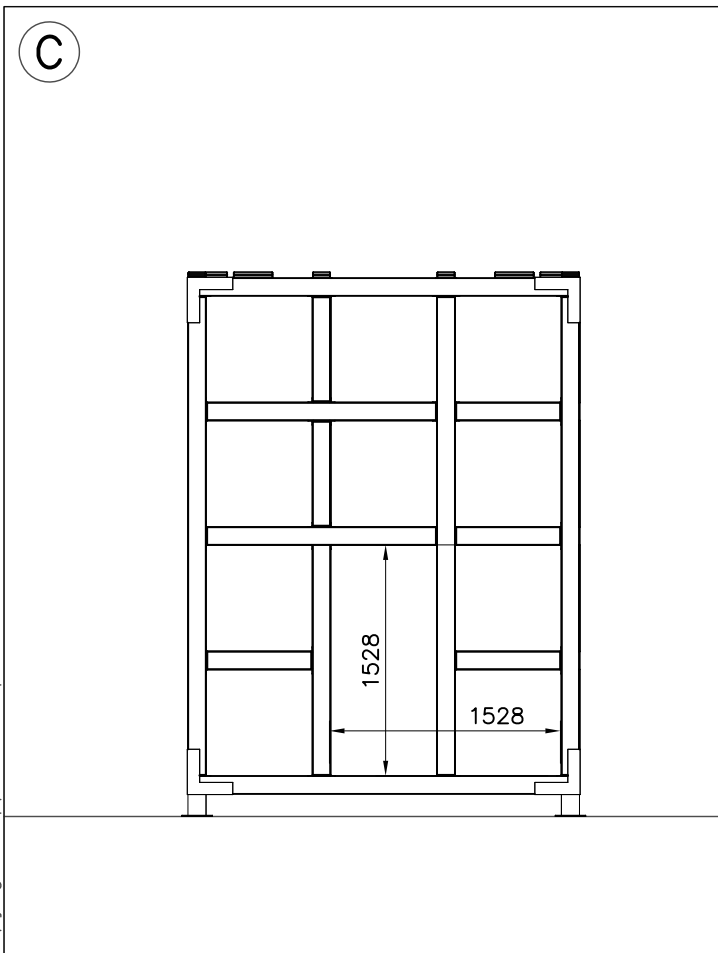
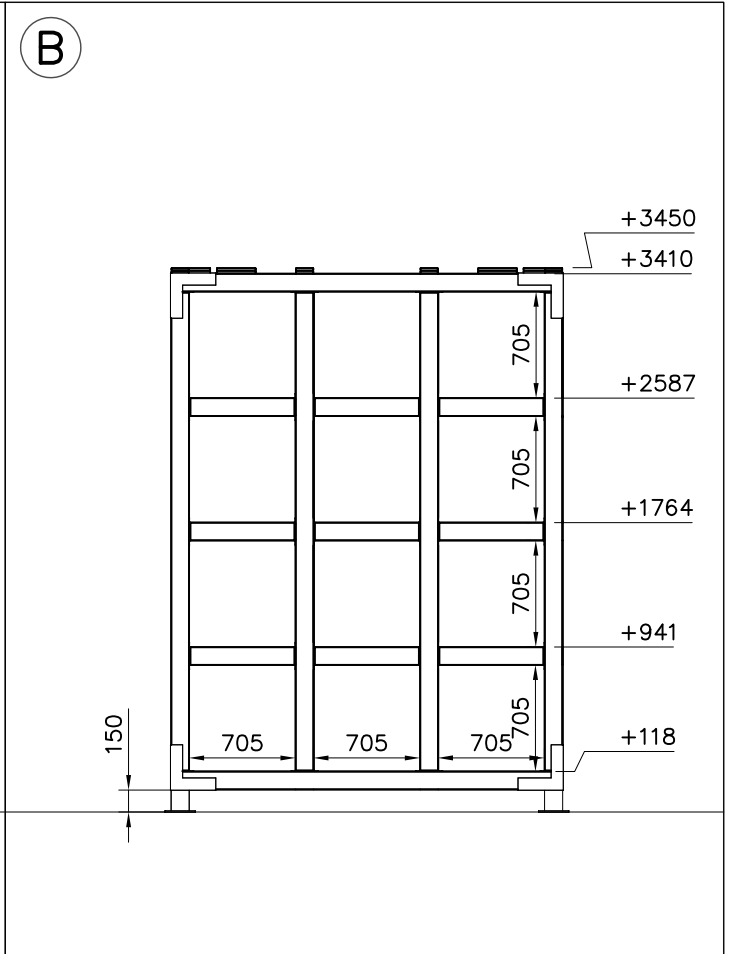
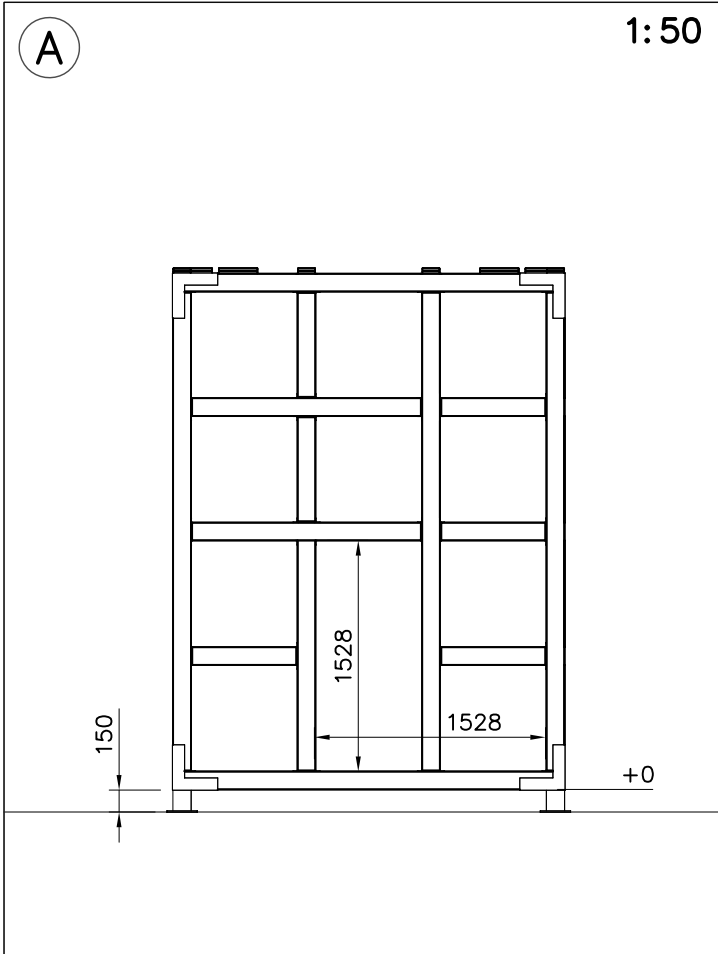


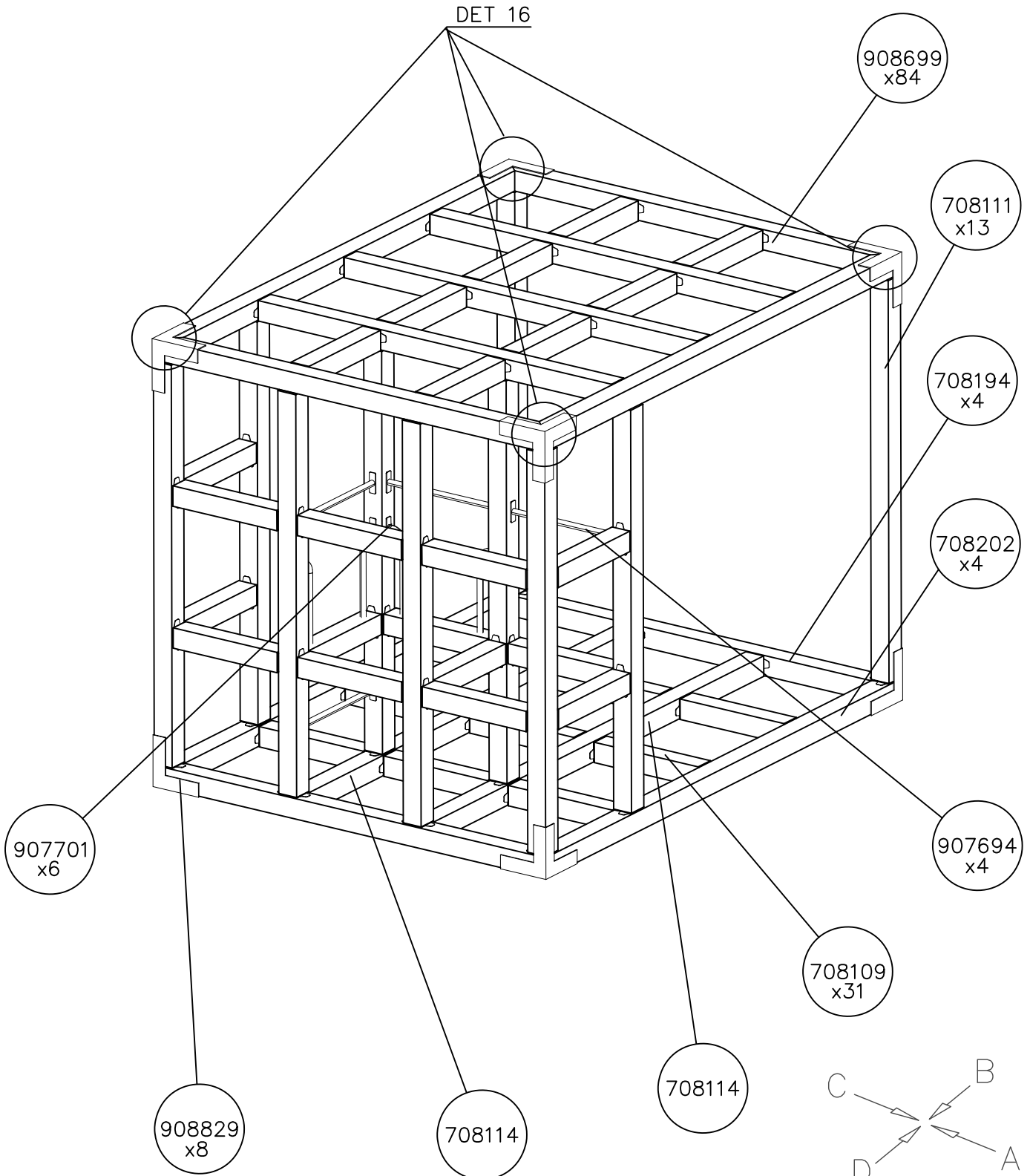


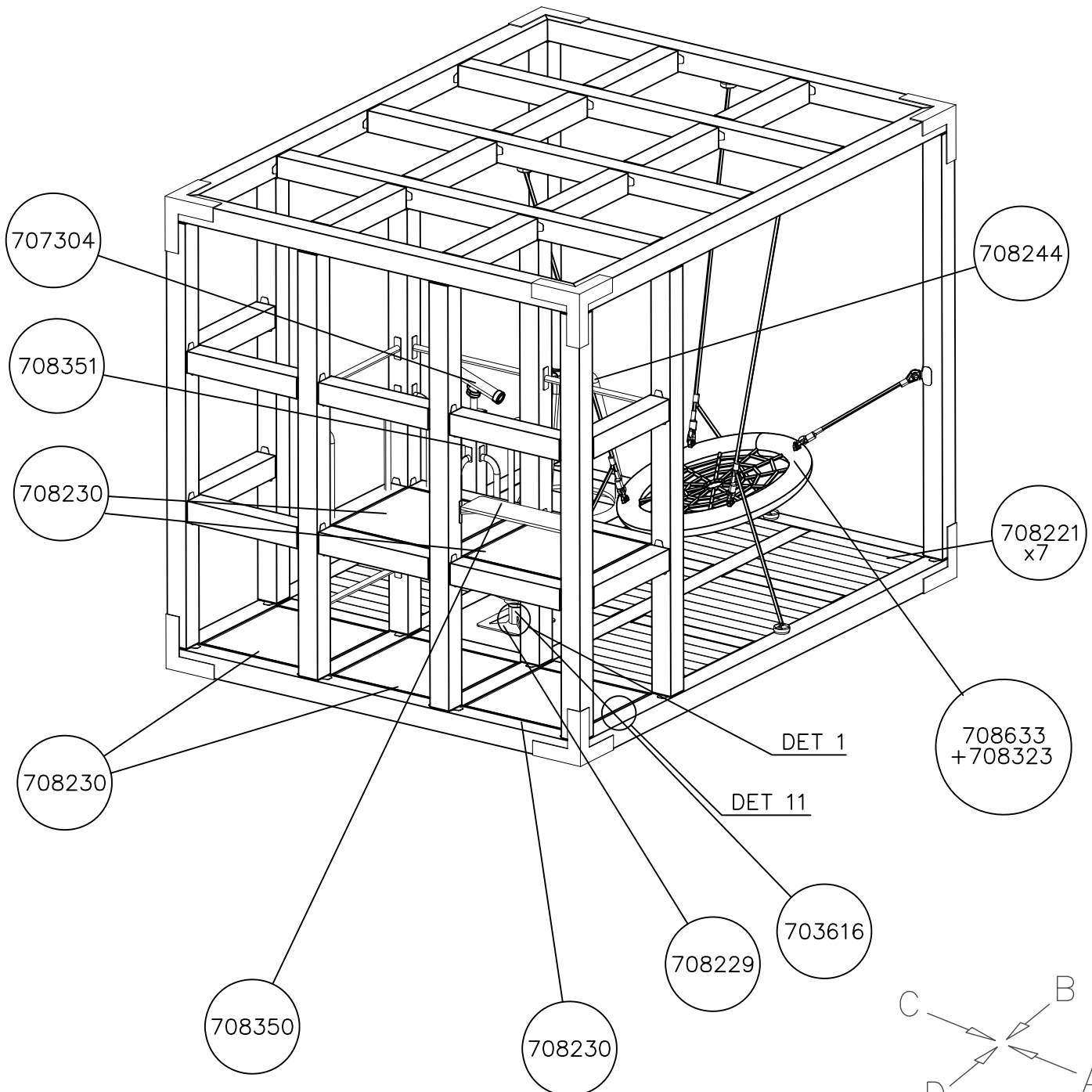


DATE: 2.11.2021

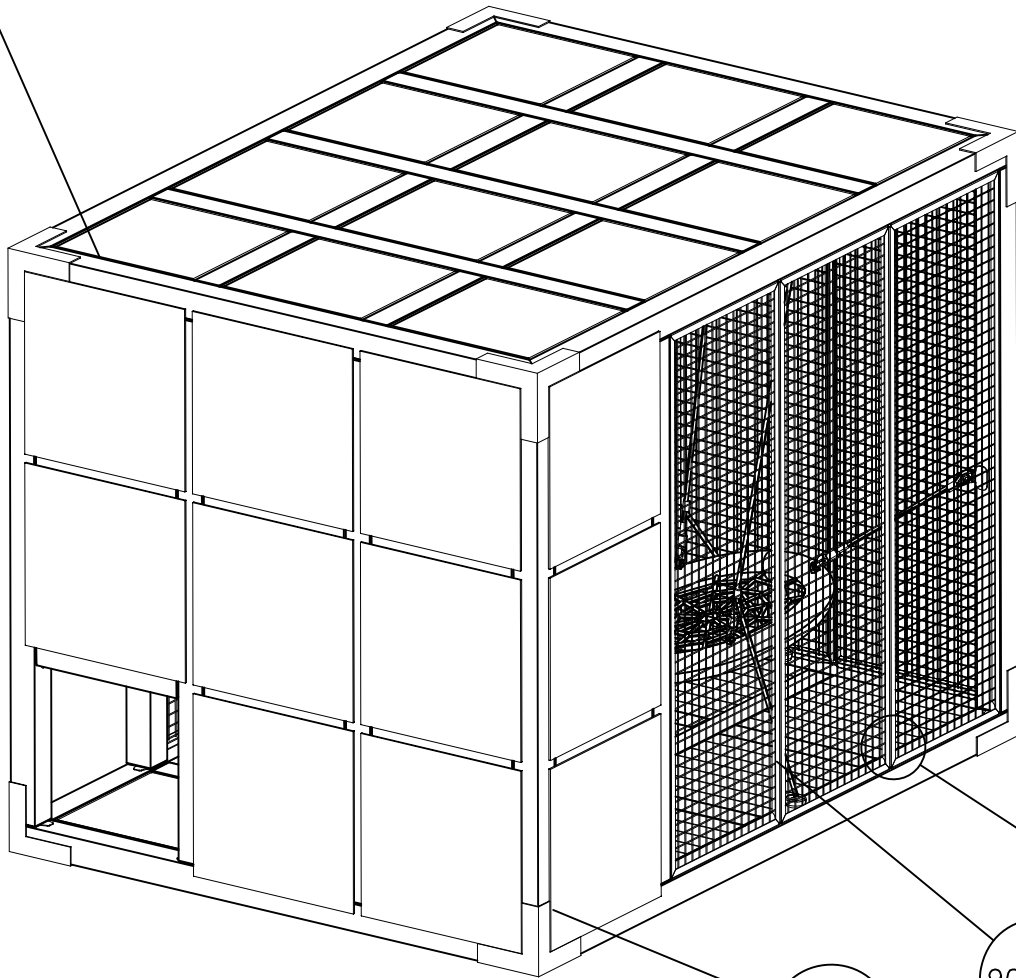
1:50







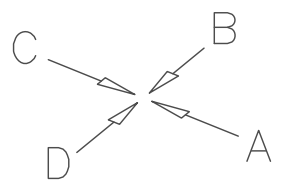
708235
x12

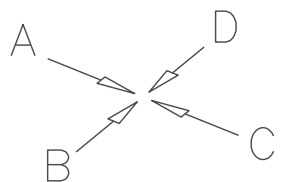
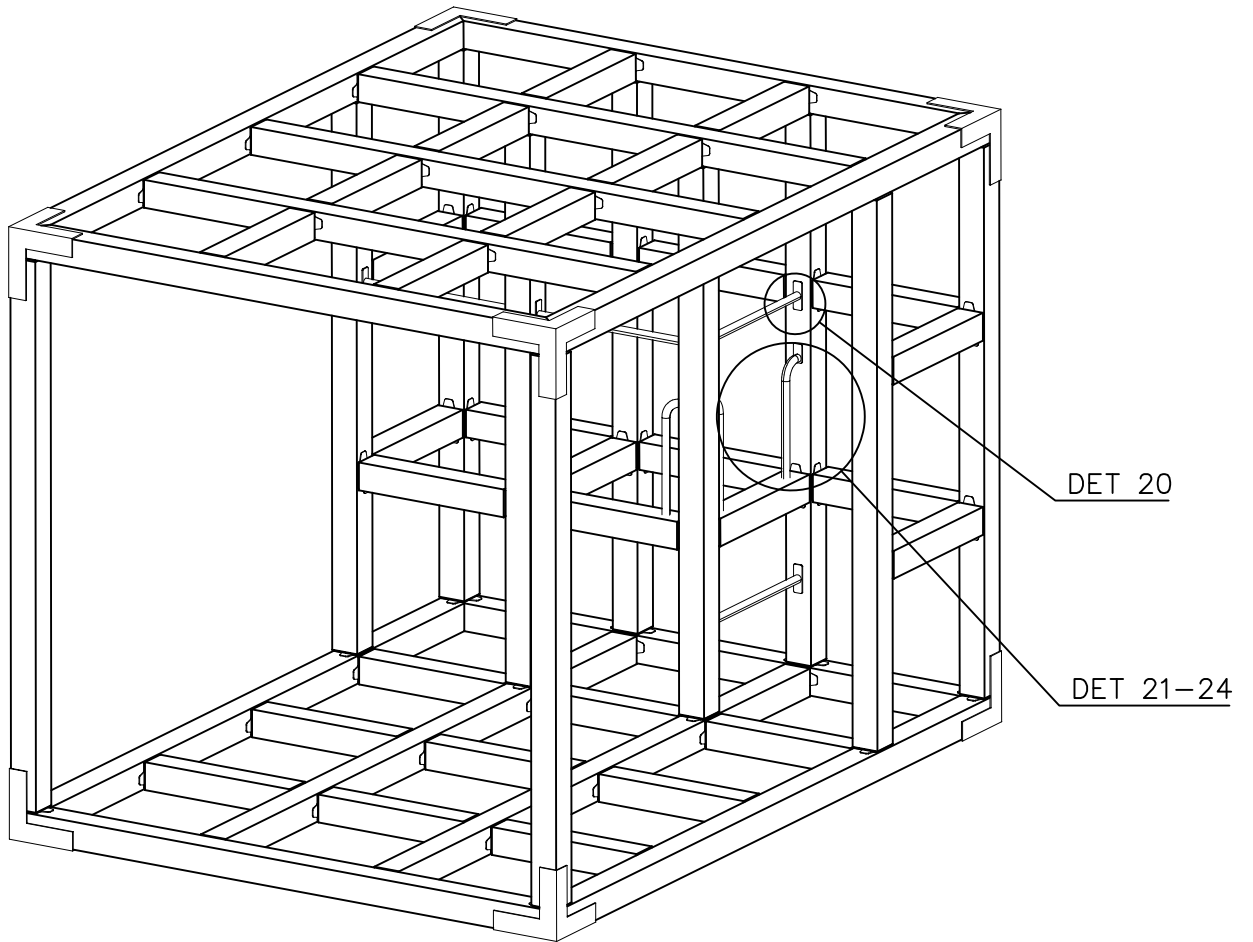


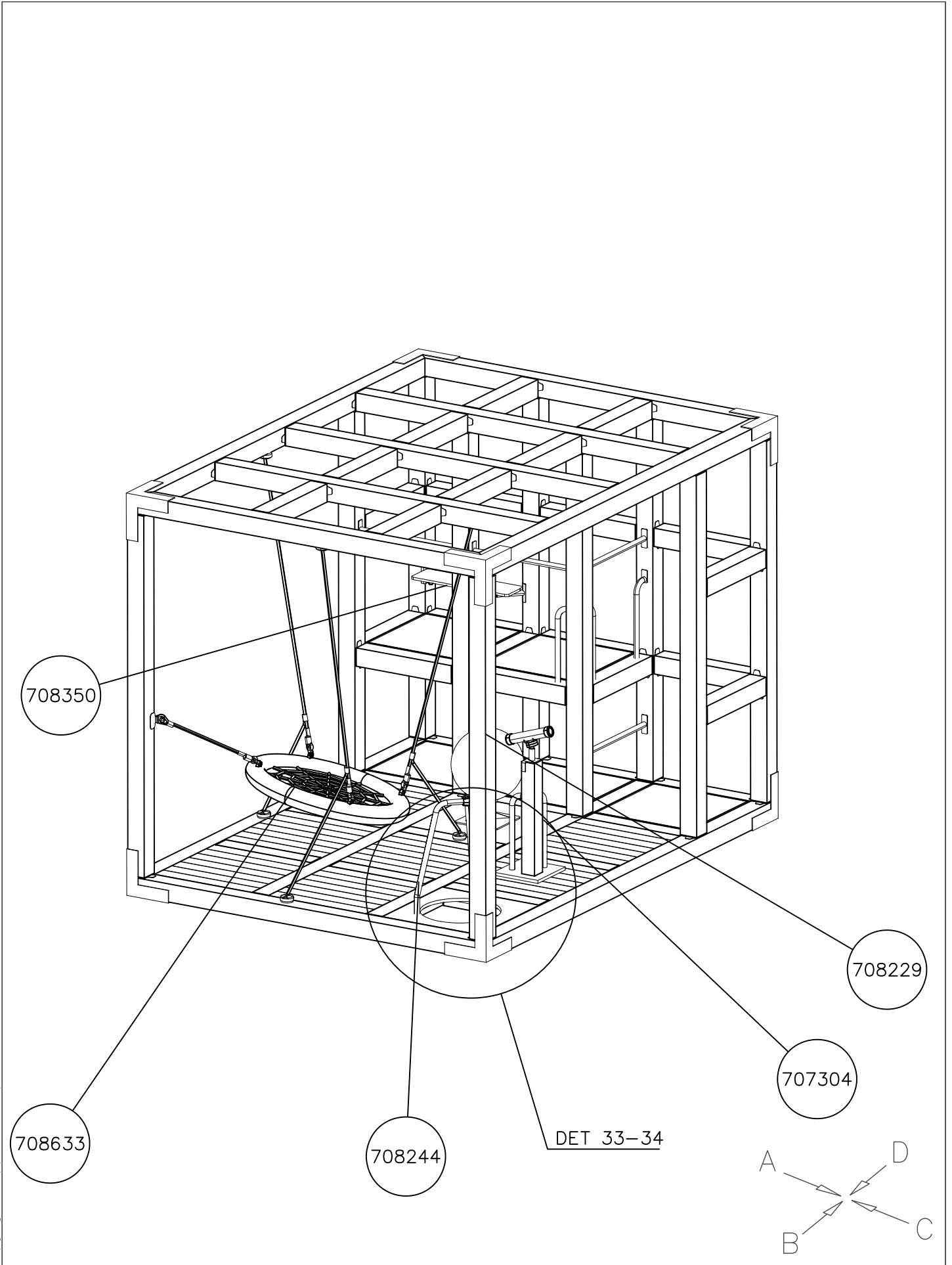
DET 31,32

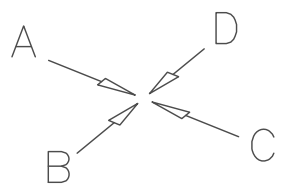
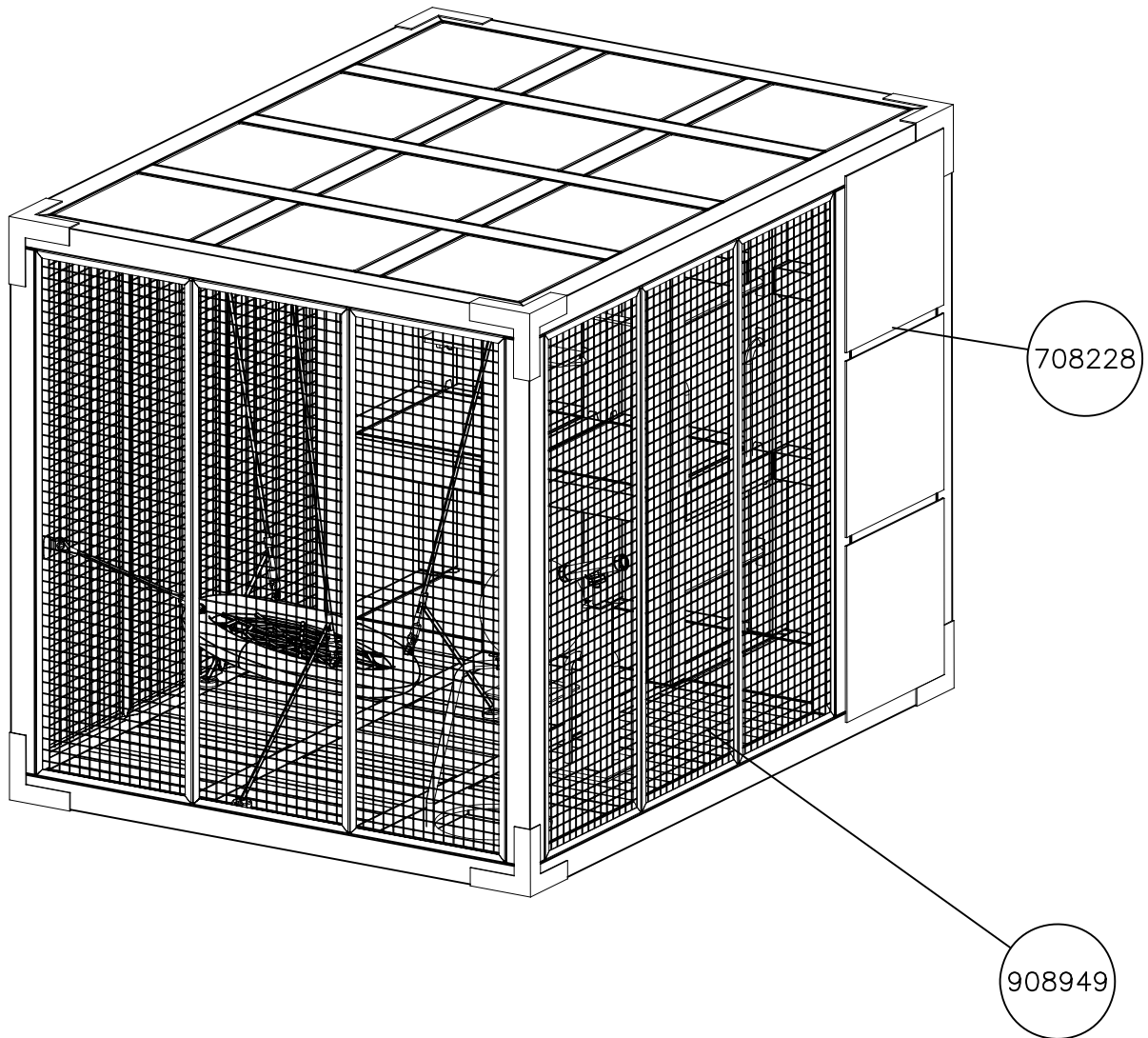
708228
x14

908949
x9



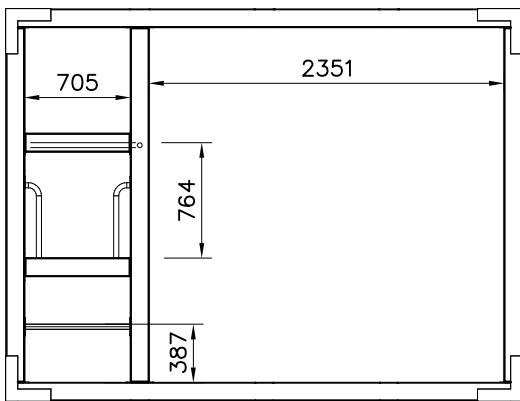




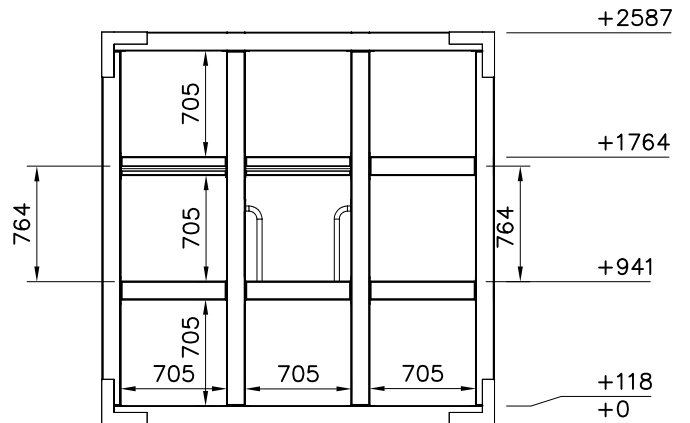


1:50

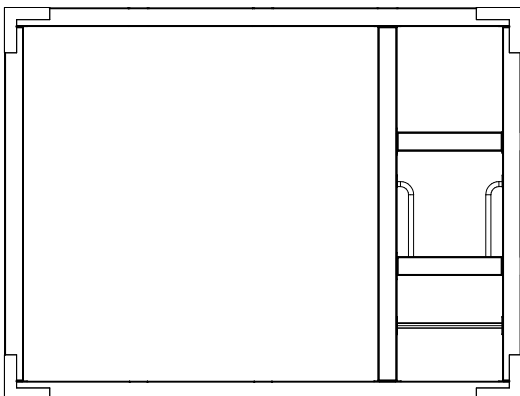
(A)



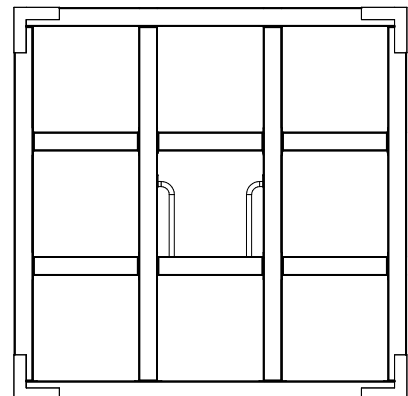
(B)

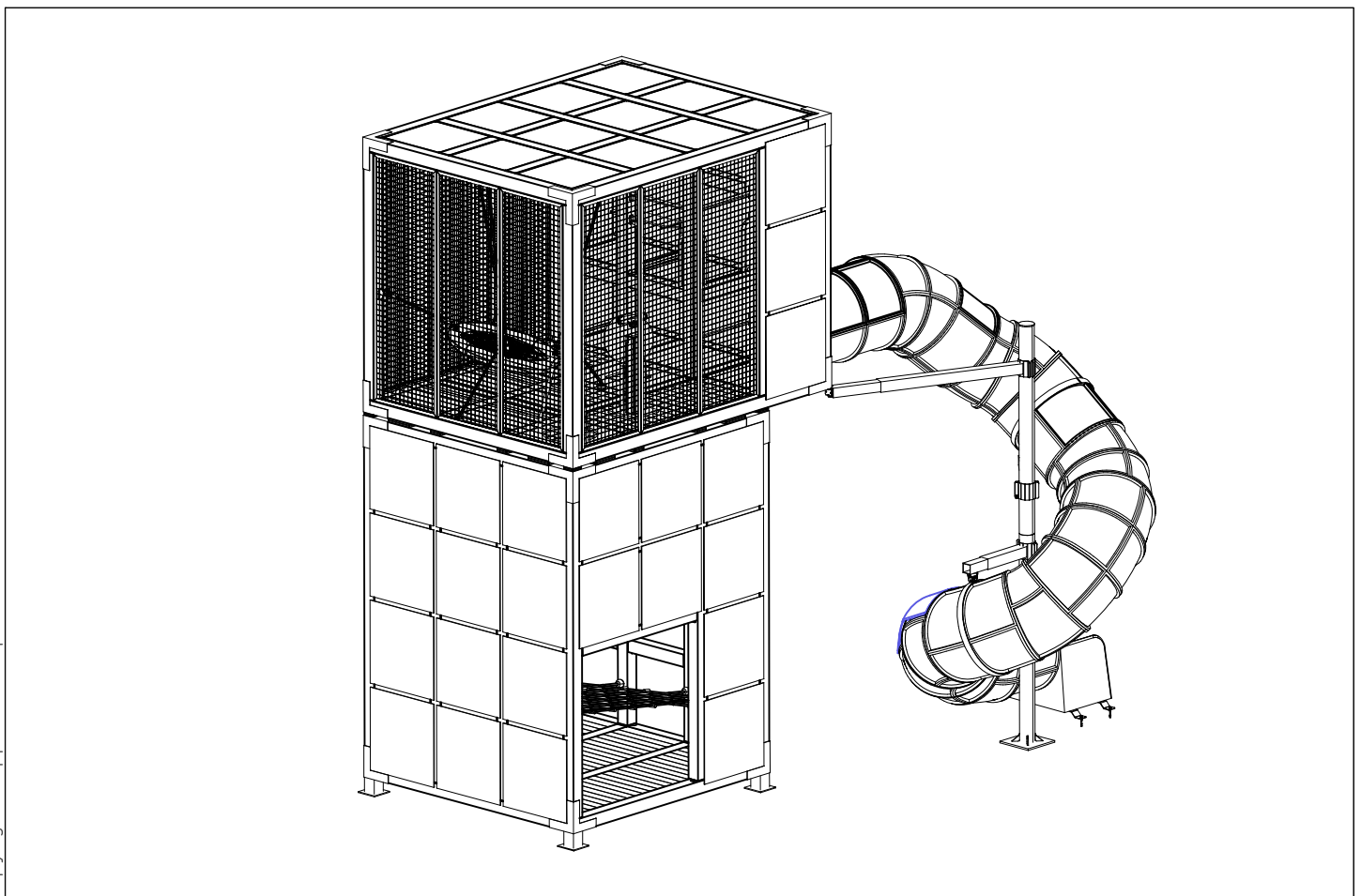
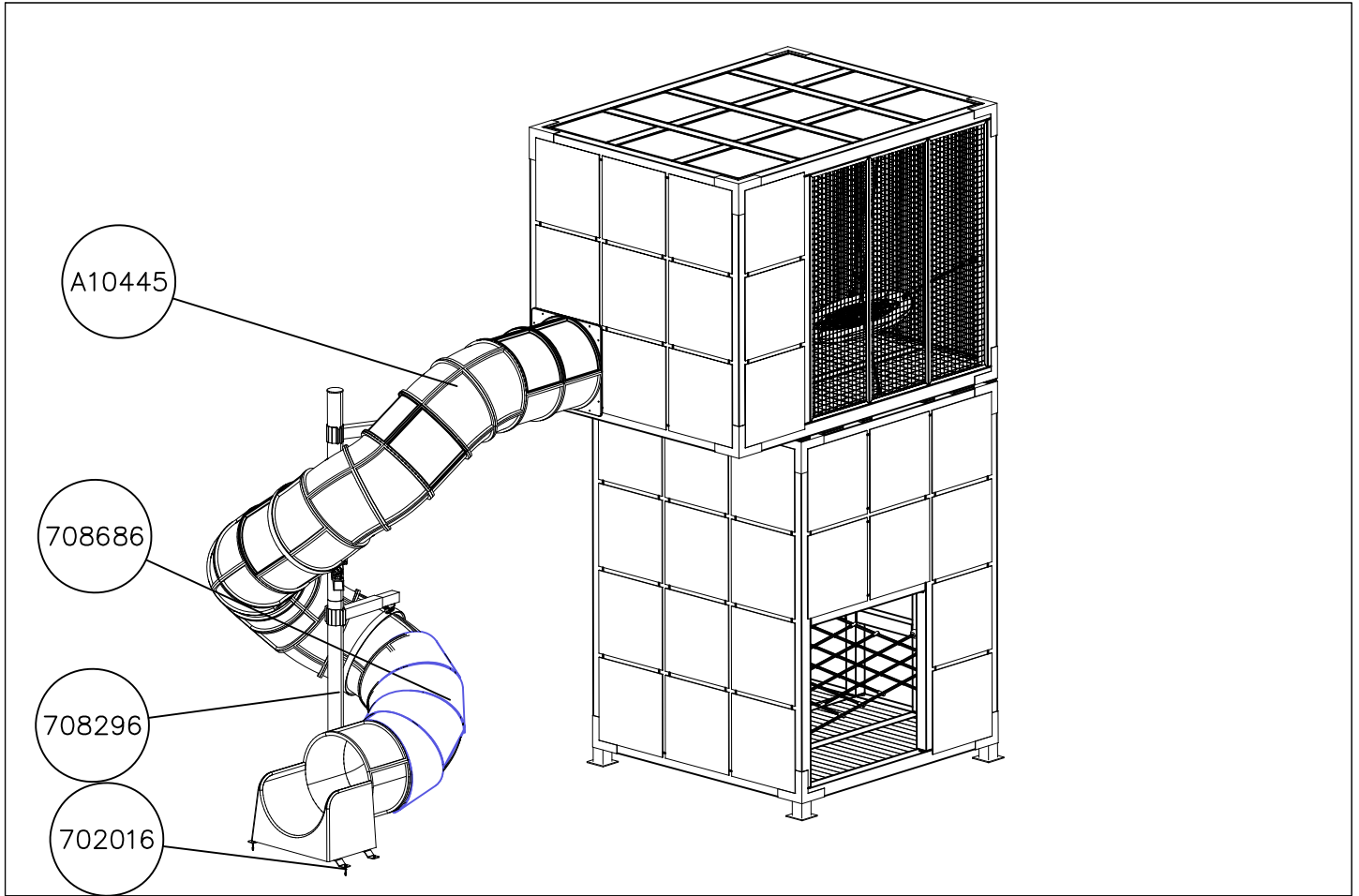


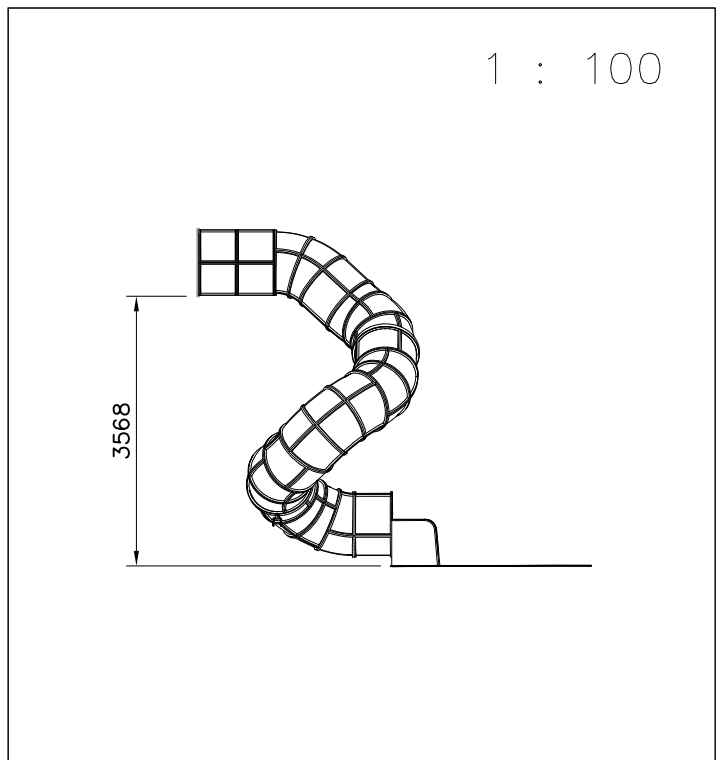
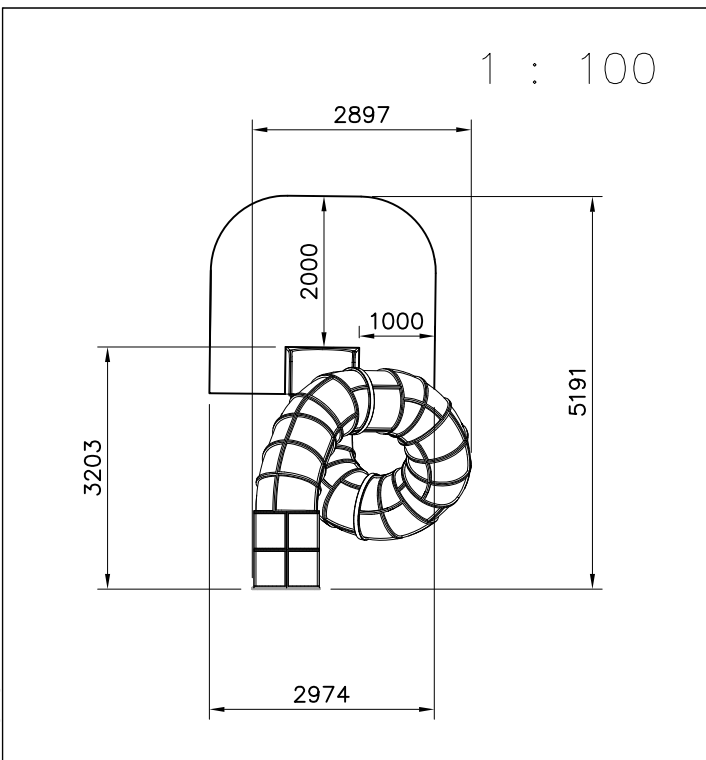
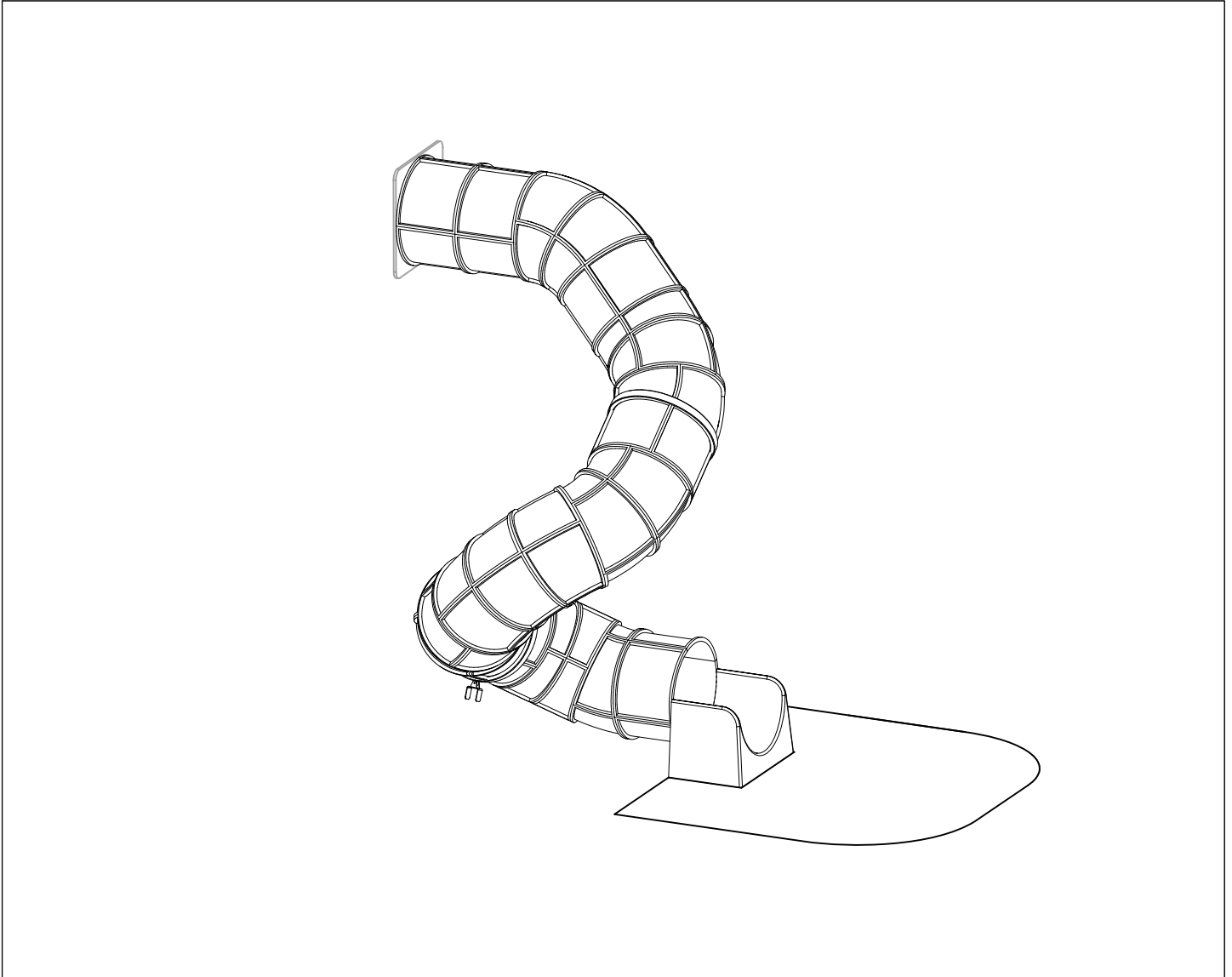
(C)


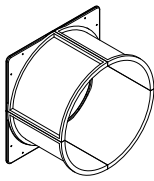
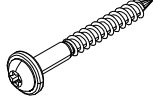



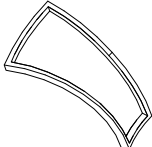
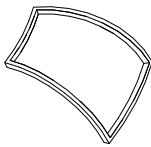
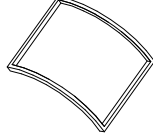
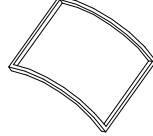

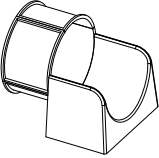

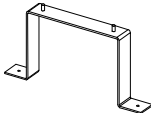







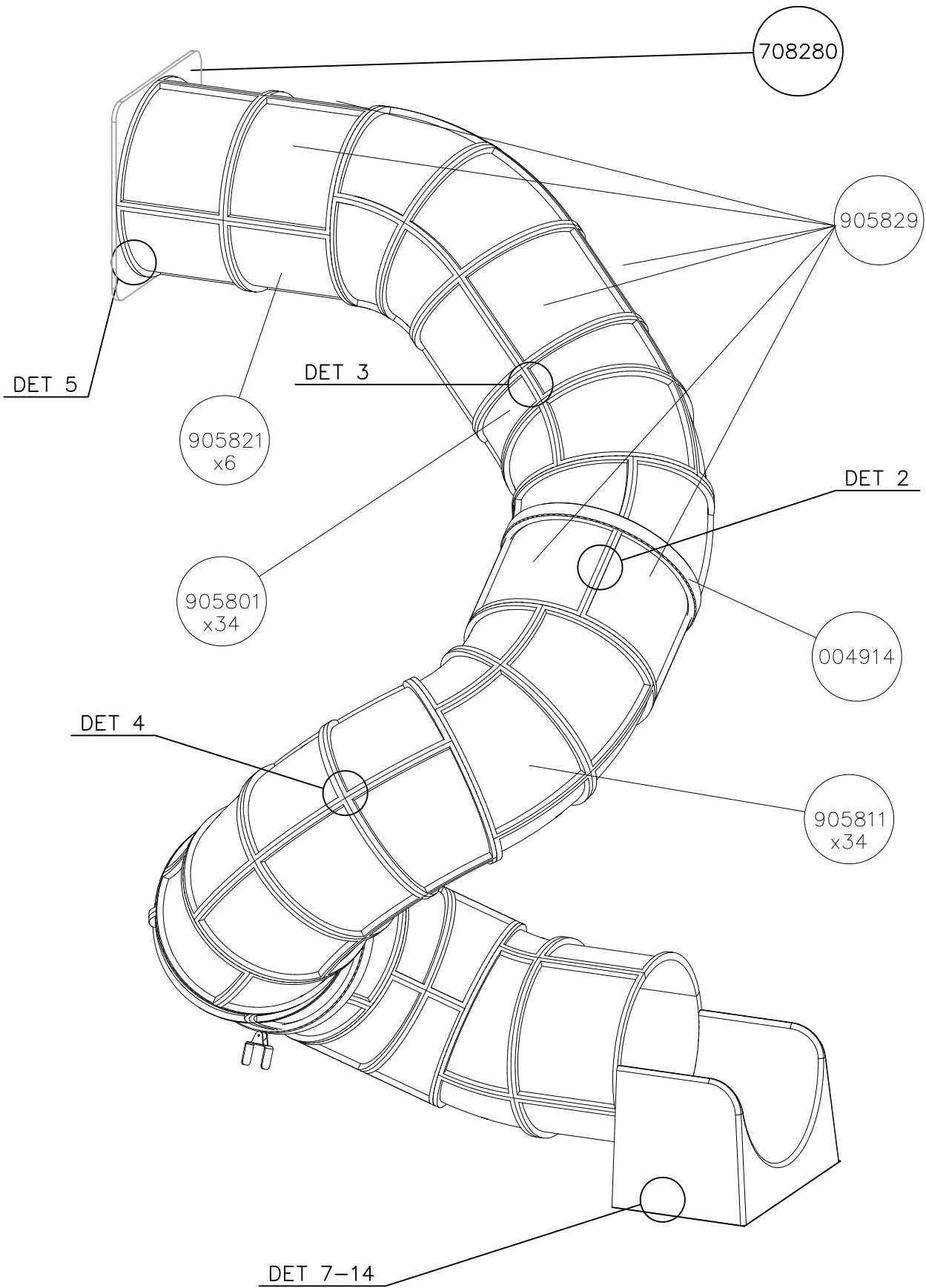
(D)



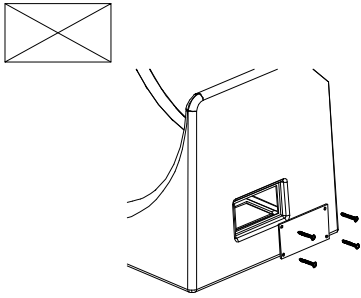




	PCS	004914	PCS	START	PCS	900240	PCS	903533	PCS	905086	PCS
			2		1		14		6		4
						Ø8x70		SRL12		Ø44/13.5	
911159	PCS	905801	PCS	905811	PCS	905821	PCS	905829	PCS	911158	PCS
	1096		34		34		6		6		1016
GREY Ø22		GREY		GREY		GREY		TRANSPARENT		GREY	
END 905850	PCS	905859	PCS	905860	PCS	909205	PCS	909248	PCS	909274	PCS
	1		2		2		516		4		4
		6x80x850				8x60		M12		8x30	
980150	PCS	980151	PCS		PCS		PCS		PCS		PCS
	512		8								
M8		Ø16/8.4									
	PCS		PCS		PCS		PCS		PCS		PCS
	PCS		PCS		PCS		PCS		PCS		PCS

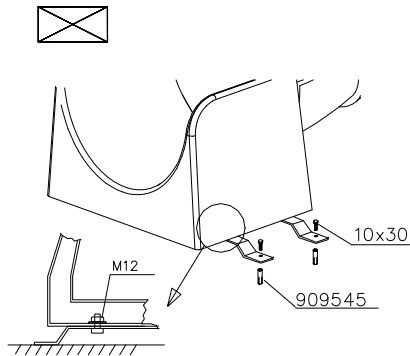


DET 7

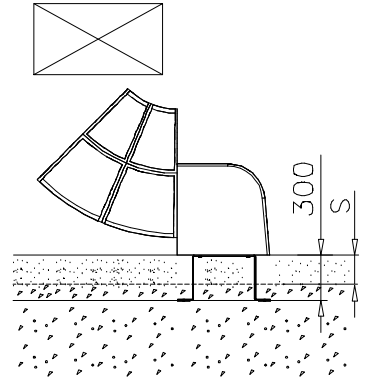


Access- and maintenance panel.
Asennus- ja huolto luukku.

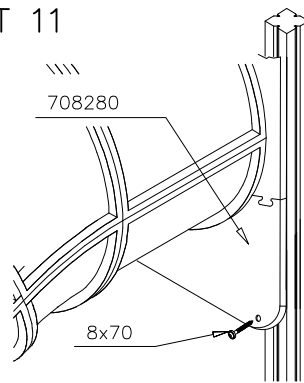
DET 8



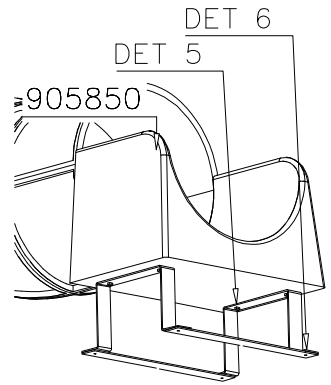
DET 9



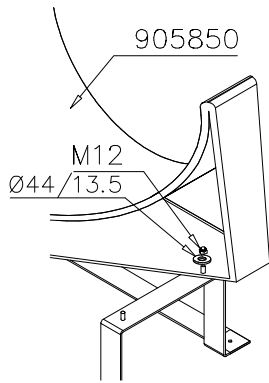
DET 11



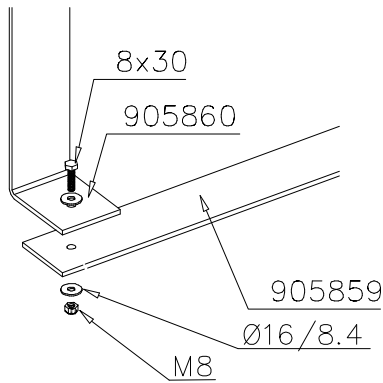
DET 12

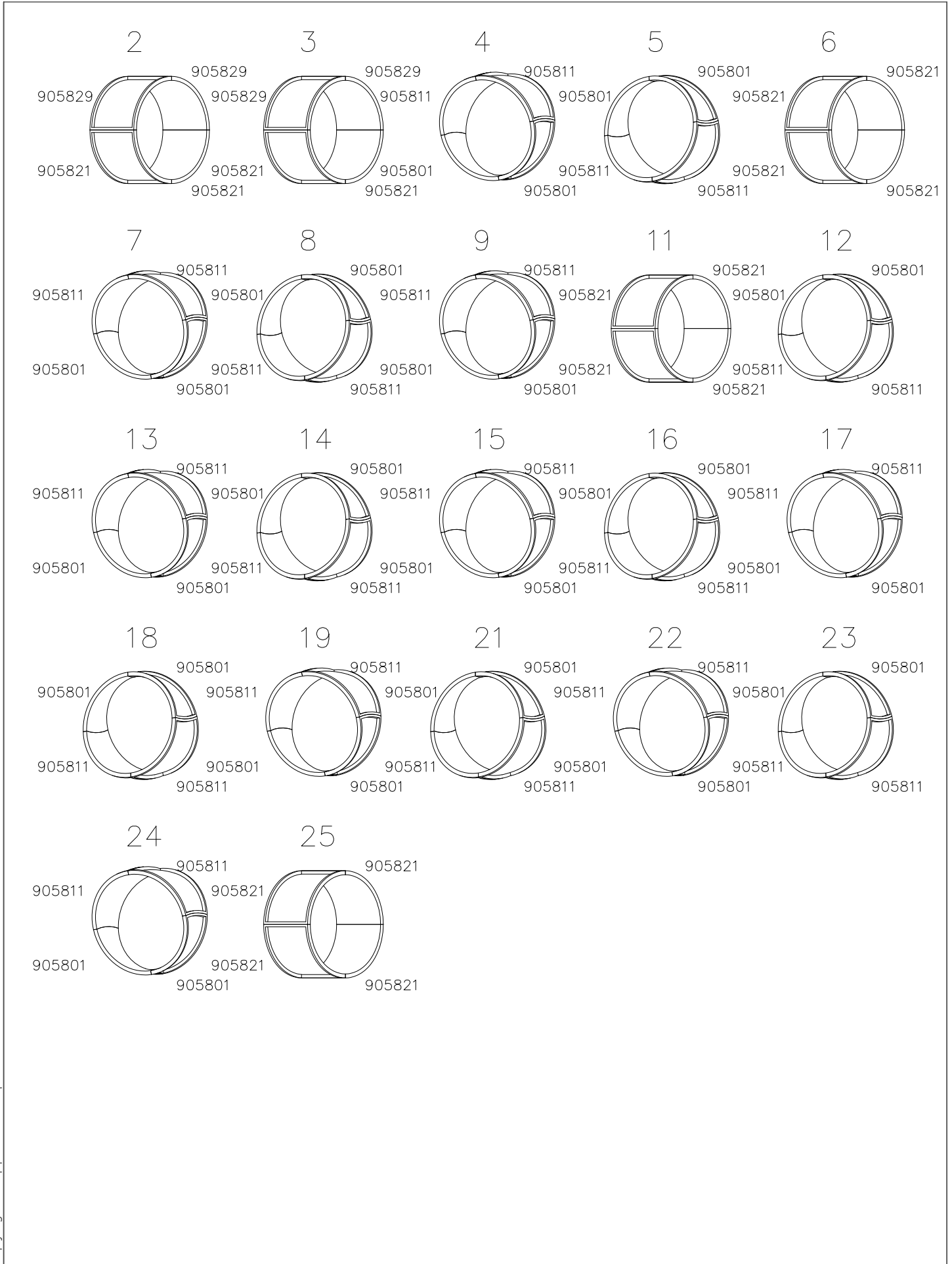


DET 13



DET 14

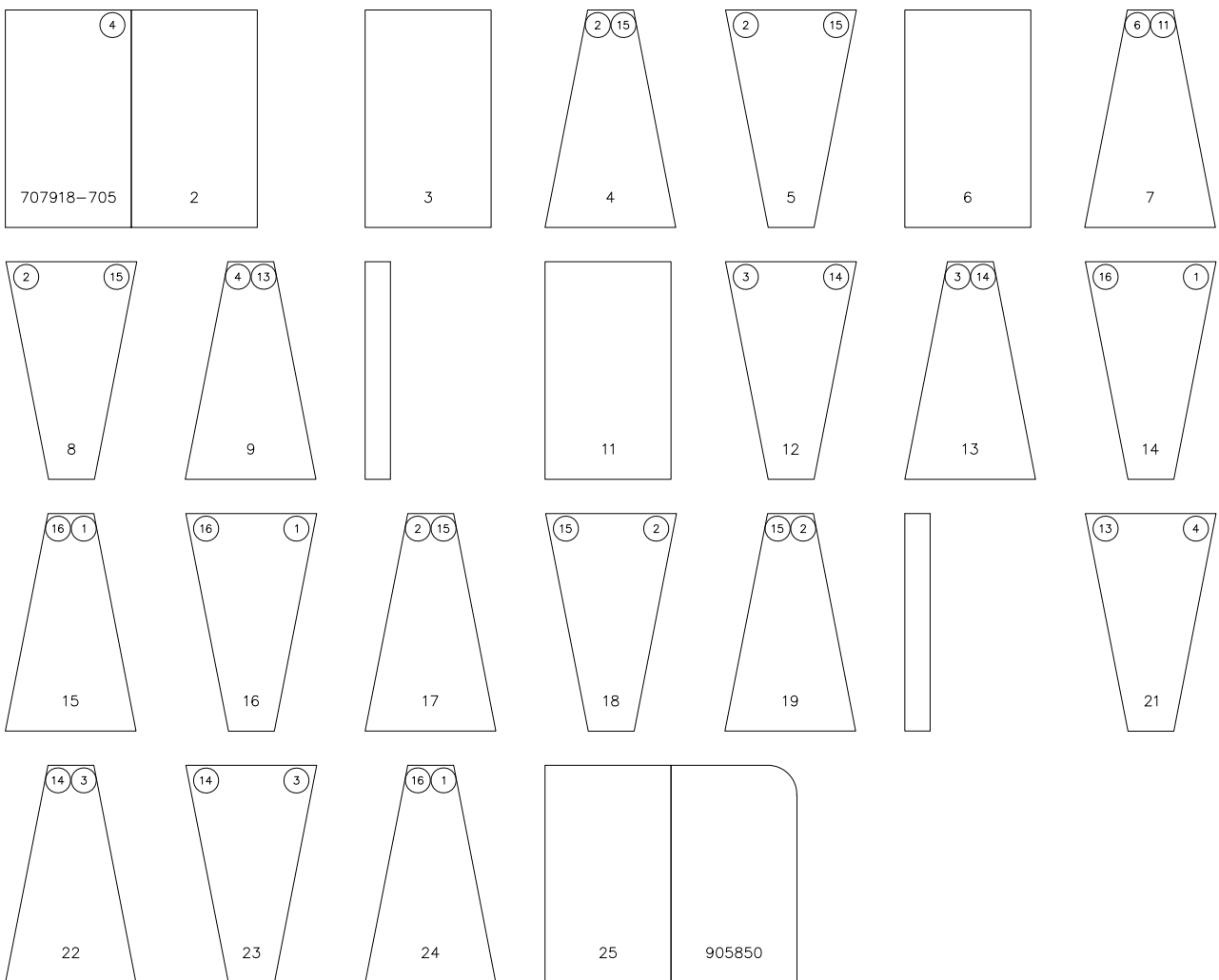
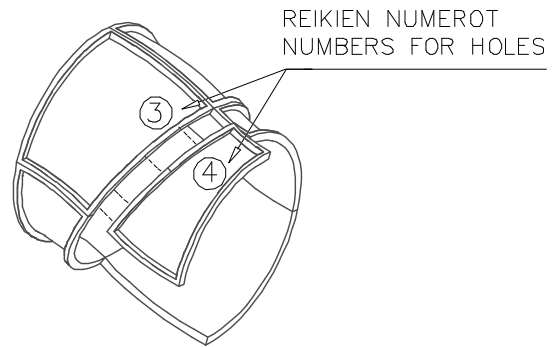




Esimerkki putken kokoamisesta
Example of installation

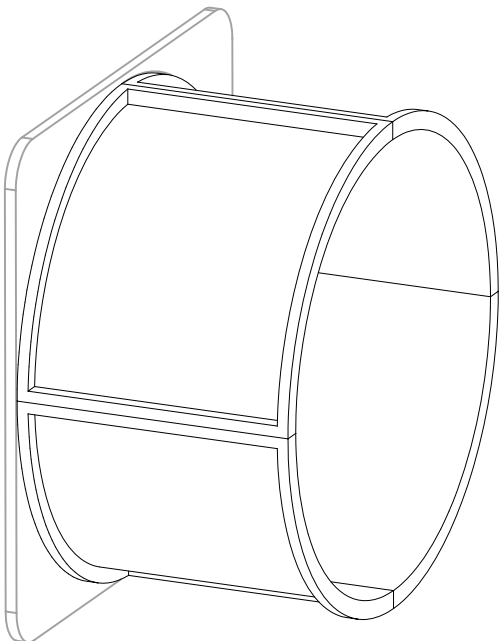
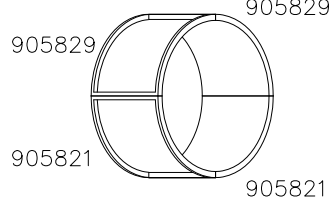
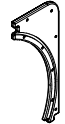





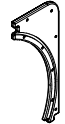





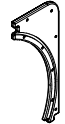





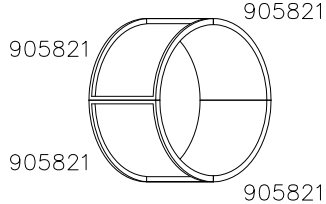
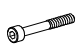


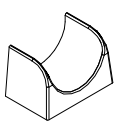


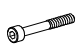


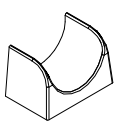




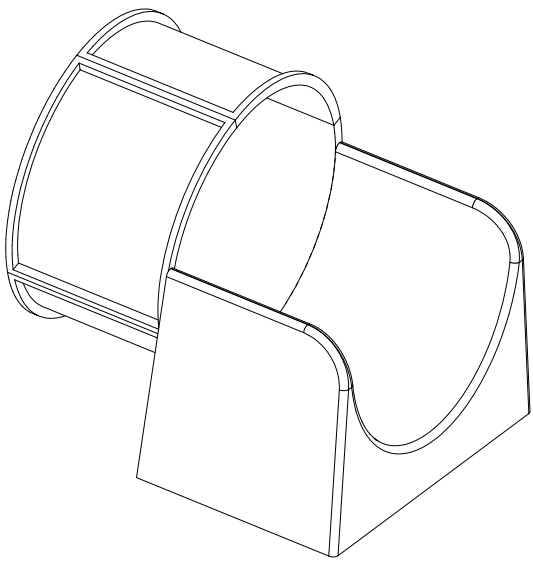
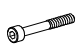


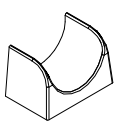


LIUKUPINTAAN EI SAA TULLA
LÄPINÄKYVIÄ MODUULEJA!!

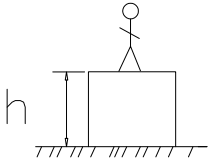



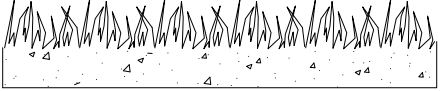
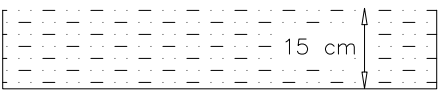
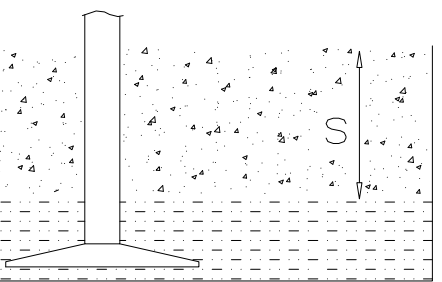
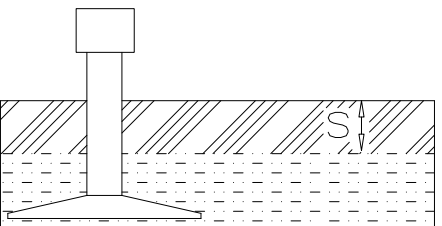
NO TRANSPARENT PIECES ON
SLIDING SURFACE!!



Valmiiksi kasattujen osien osakokoonpanot ja vara-osa listat.

Ready installed component subassemblies and spare part list.

	<div style="text-align: center;">2</div>  <table border="1" data-bbox="893 929 1468 1310"> <tr> <td>708280-705x4 </td> <td>909205 x 12 </td> <td>980150 x 12 </td> </tr> <tr> <td>905831 x 40 </td> <td>909208 x 16 </td> <td>909119 x 16 </td> </tr> </table>			708280-705x4 	909205 x 12 	980150 x 12 	905831 x 40 	909208 x 16 	909119 x 16 
708280-705x4 	909205 x 12 	980150 x 12 							
905831 x 40 	909208 x 16 	909119 x 16 							
<div style="text-align: center;">25</div>  <table border="1" data-bbox="167 1724 742 2094"> <tr> <td>909205 x 12 909206 x 8 </td> <td>980150 x 20 </td> <td>905831 x 40 </td> </tr> <tr> <td>905850 </td> <td>909208 x 8 </td> <td>980151 x 8 </td> </tr> </table> <p>Position of the box: 110 degrees</p>	909205 x 12 909206 x 8 	980150 x 20 	905831 x 40 	905850 	909208 x 8 	980151 x 8 	<p>909252 x 13 </p> <p>700413 x 1 </p>		
909205 x 12 909206 x 8 	980150 x 20 	905831 x 40 							
905850 	909208 x 8 	980151 x 8 							

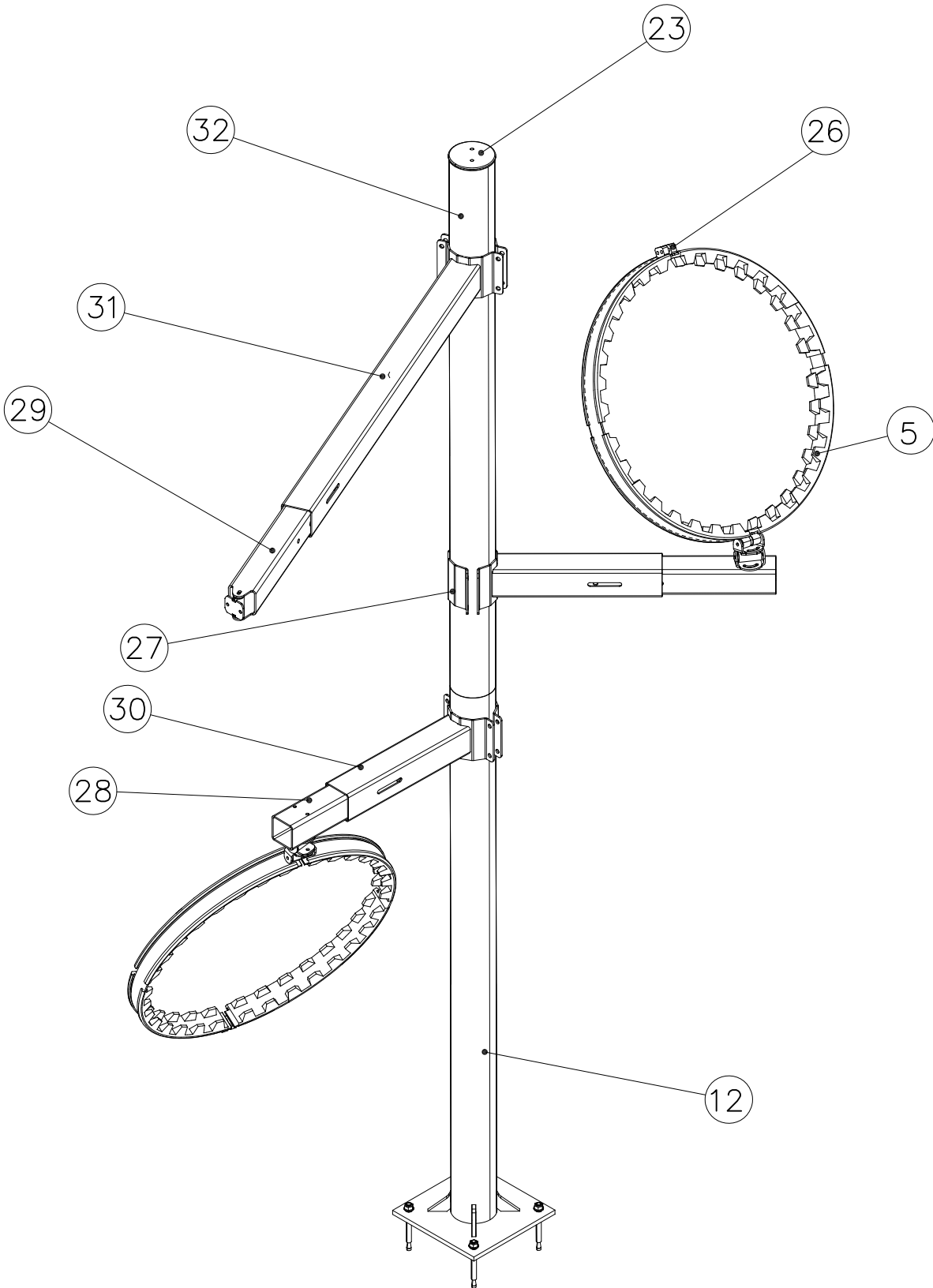
		
<p>$h < 600$</p> <p>Without movement and therefore without Impact Area</p>	<p>Totally hard surfaces.</p> <p>Note. Lappset does <u>not recommend</u> totally hard surfaces at all.</p>	<p>E.g. concrete or asphalt</p> 
<p>$h < 600$</p> <p>With movement e.g. rocking</p>	<p>Materials with very limited impact attenuating properties.</p>	<p>E.g. wood</p> 
<p>$h < 1000$</p>	<p>Materials with significant impact attenuating properties.</p>	<p>fine gravel 0–8 mm</p>  <p>grass</p>  <p>unsorted sand</p> 
<p>$h < 3000$</p>	<p>Loose fill material</p> <p>E.g. sand/gravel 0,25...8 mm D60/D10<3,0 Woodchips 5...30 mm bark 20...80 mm</p>	 <p>\underline{S} \underline{h}</p> <p>30 cm < 2,0 m</p> <p>40 cm < 3,0 m</p>
	<p>Syntethic granulates</p> <p>\underline{S} \underline{h}</p> <p>40 mm ~> 1,2...1,3 m</p> <p>50 mm ~> 1,5...1,7 m</p> <p>60 mm ~> 1,8...2,0 m</p> <p>70 mm ~> 2,1...2,5 m</p> <p>Note. For accurate values, see manufacturer's instructions.</p>	

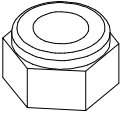
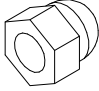
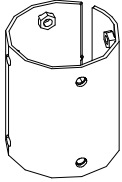
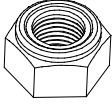
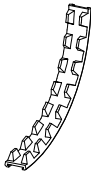

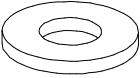

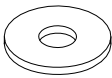

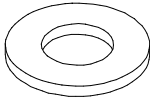

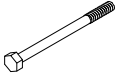
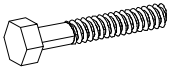
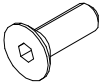
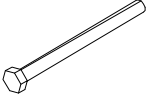
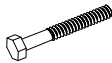
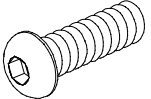
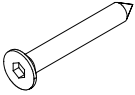


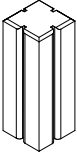
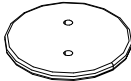
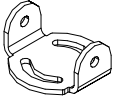
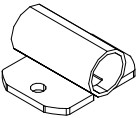

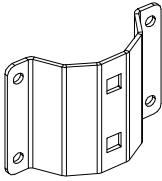
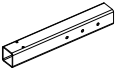
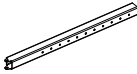
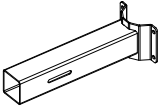
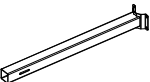

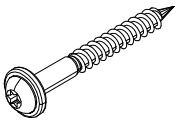

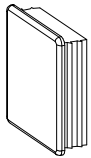
REMOVE SAFETY SURFACE/SAND/GRAVEL
TO CHECK FOUNDATION

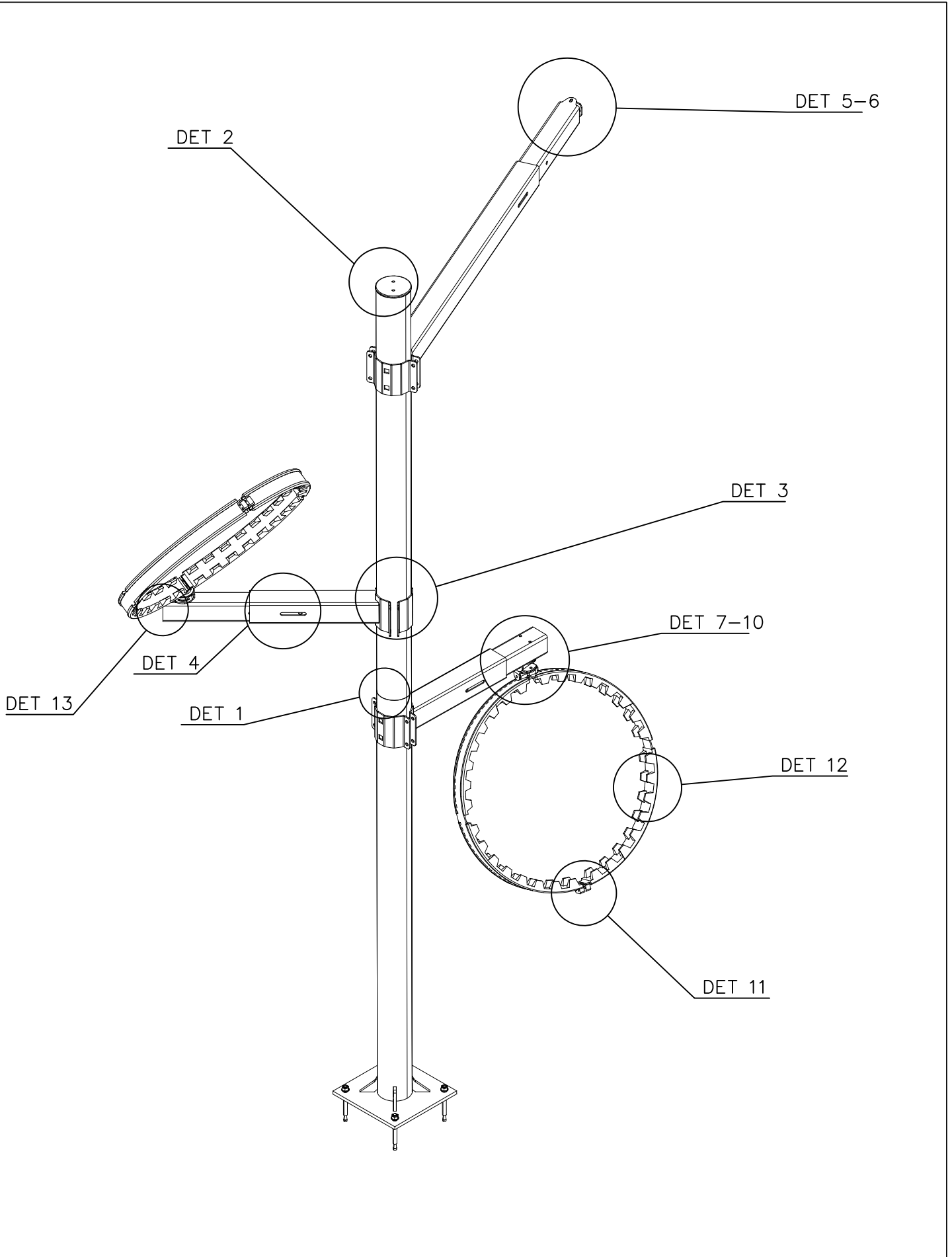


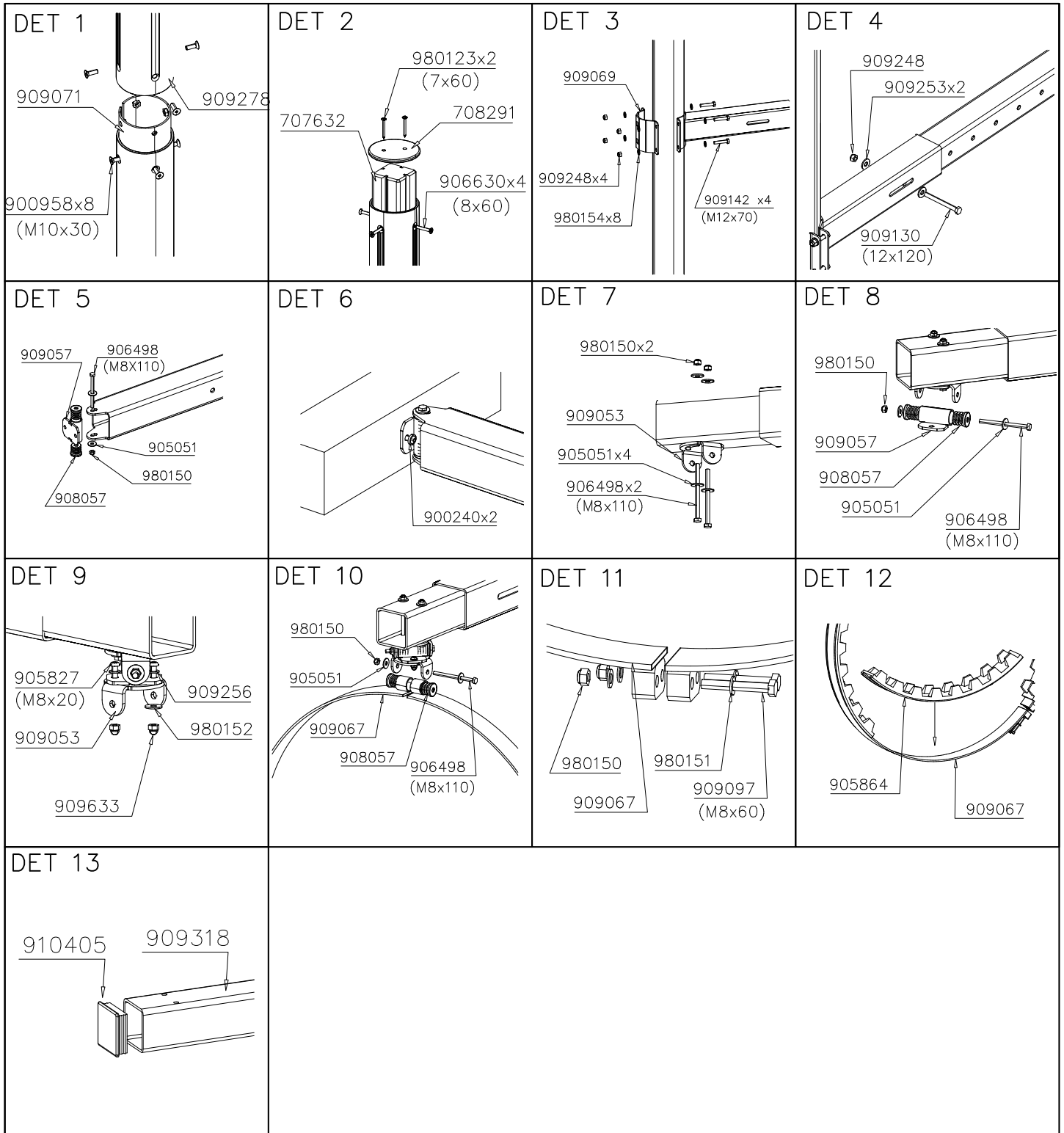
REMOVE SAFETY SURFACE/SAND/GRAVEL
TO CHECK FOUNDATION

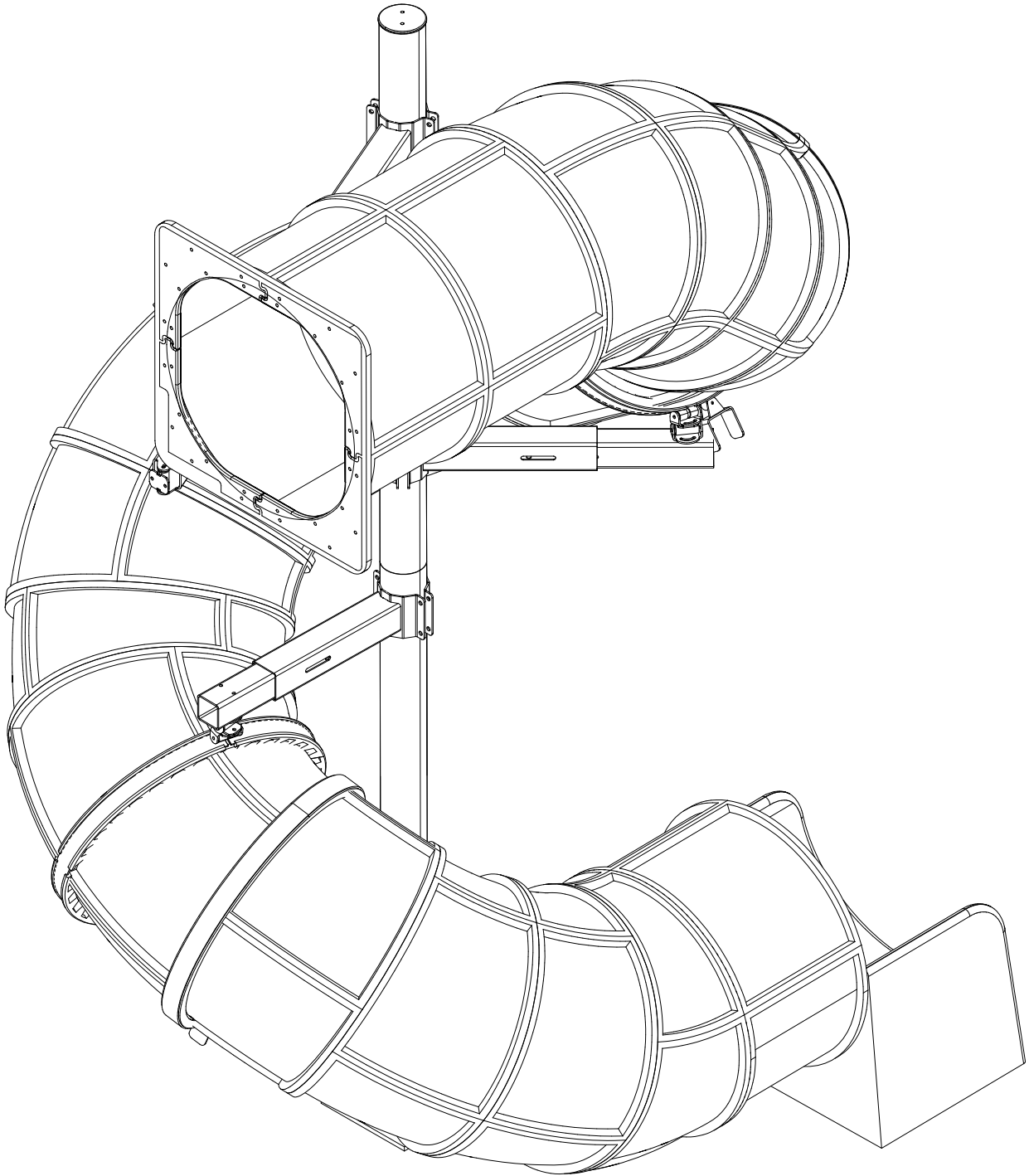


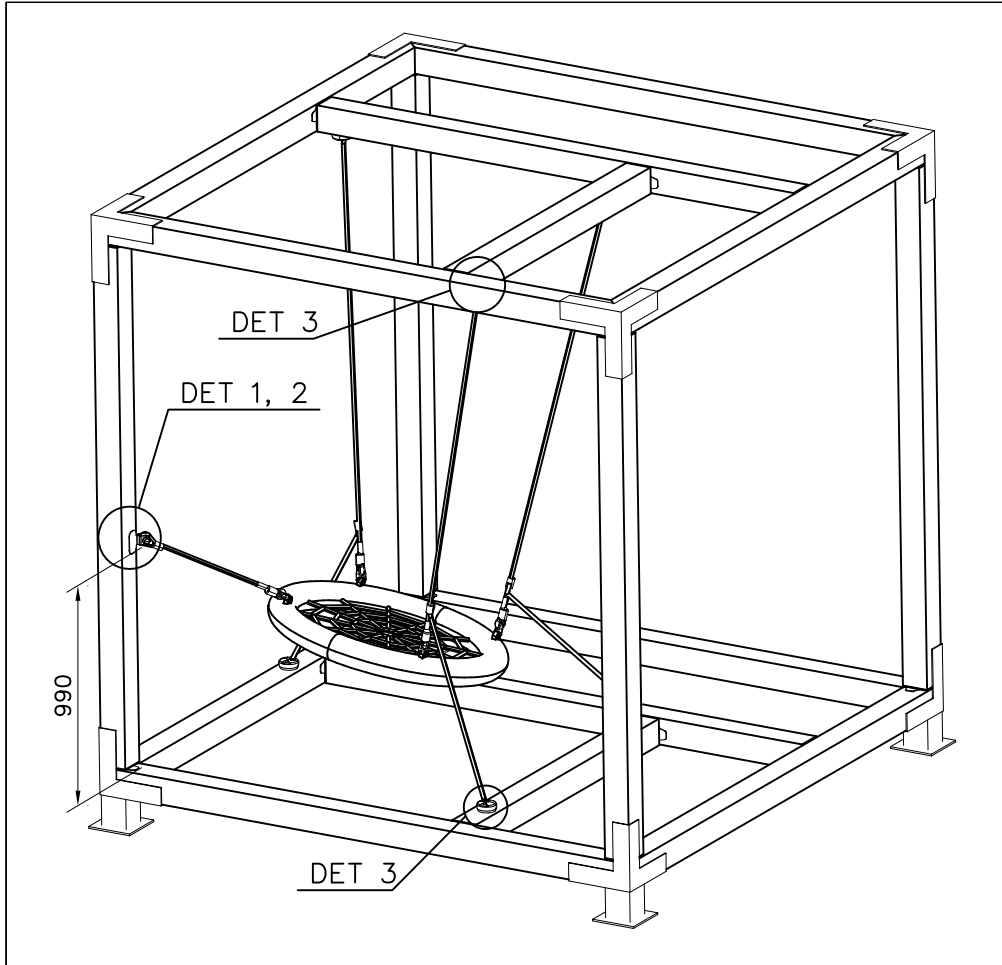


① 909248  M12 PCS 15	② 909633  M8 PCS 4	③ 909071  PCS 1	④ 980150  M8 PCS 13	⑤ 905864  PCS 8	⑥ 909523  Ø32/13.5/2 PCS 6
⑦ 980154  Ø24/13 PCS 24	⑧ 980152  Ø24/8.4x2 PCS 4	⑨ 905051  Ø24/8.4 PCS 18	⑩ 980151  Ø16/8.4 PCS 8	⑪ 909256  Ø16/8.4x1.6 PCS 4	⑫ 909068  PCS 1
⑬ 909130  M12x120 PCS 3	⑭ 909142  M12x70 PCS 12	⑮ 900958  M10x30 PCS 8	⑯ 906498  M8x110 PCS 9	⑰ 909097  M8x60 PCS 4	⑱ 905827  M8x20 PCS 4
⑲ 906630  8x60 PCS 4	⑳ 980123  7x60 PCS 2	㉑ 908057  Ø32/29-L5/30 PCS 10	㉒ 707632  PCS 1	㉓ 708291  Ø145 PCS 1	㉔ 909053  PCS 4
㉕ 909057  PCS 3	㉖ 909067  PCS 4	㉗ 909069  PCS 3	㉘ 909318  PCS 2	㉙ 909326  PCS 1	㉚ 909282  PCS 2
㉛ 909317  PCS 1	㉜ 909278  PCS 1	㉝ 900240  8x70 PCS 2	㉞ 904450  M16x170 PCS 4	㉟ 910405  90x90x30 PCS 2	PCS
PCS	PCS	PCS	PCS	PCS	PCS



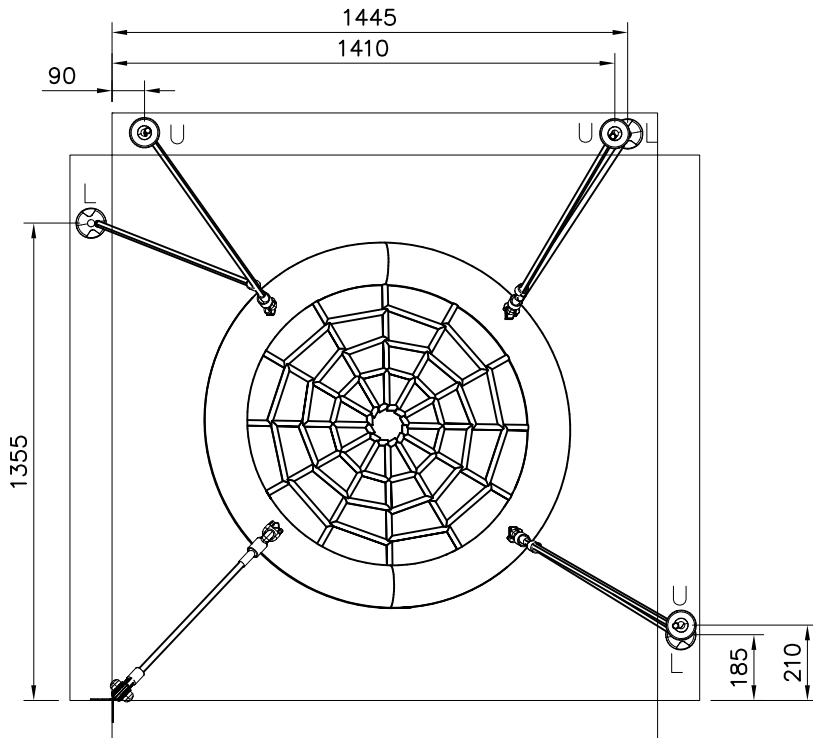




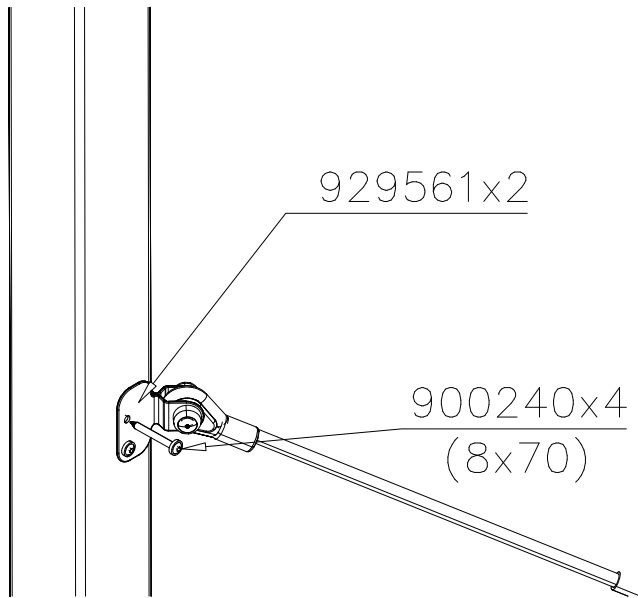


① 929561	PCS	② 903093	PCS
	2		12
		Ø8x90	
③ 900240	PCS	④ 905083	PCS
	4		2
Ø8x70		Ø32	
⑤ 909568	PCS	⑥ 980151	PCS
	1		2
M8x55		Ø16/8.4	
⑦ 980150	PCS	⑧ 905112	PCS
	1		2
M8		Ø22	
	PCS		PCS
○ 708633	PCS		PCS
	PCS		PCS
	PCS		PCS

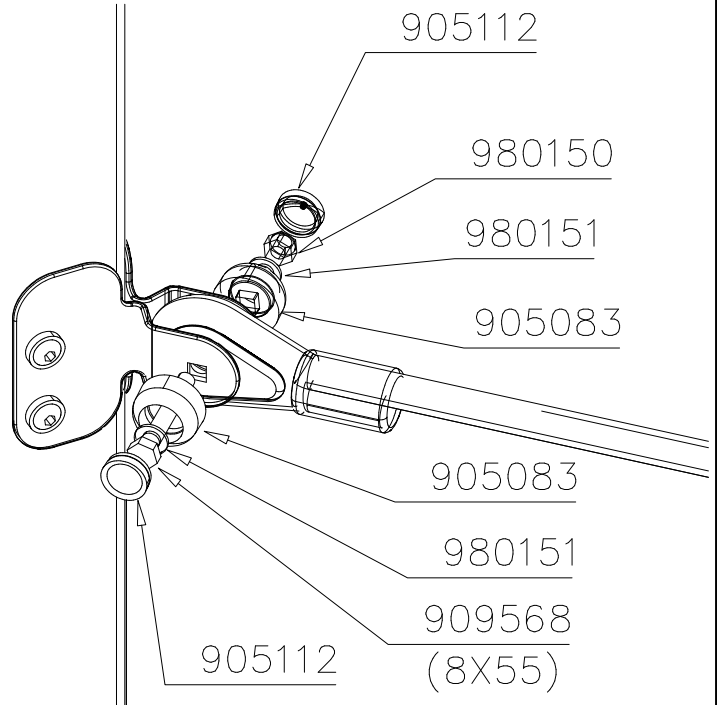
U=upper fastener
L=lower fastener



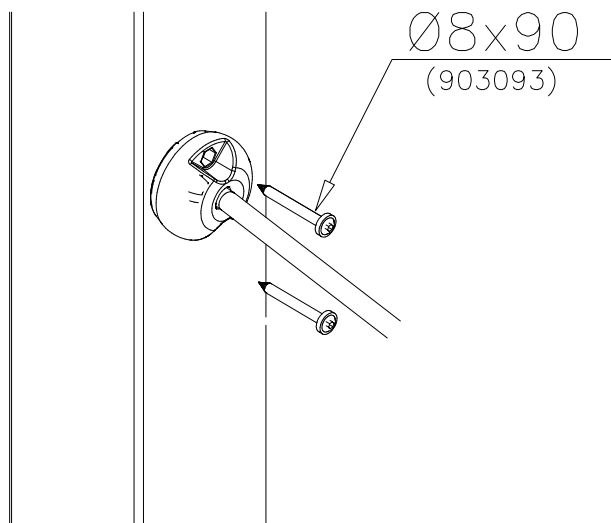
DET 1

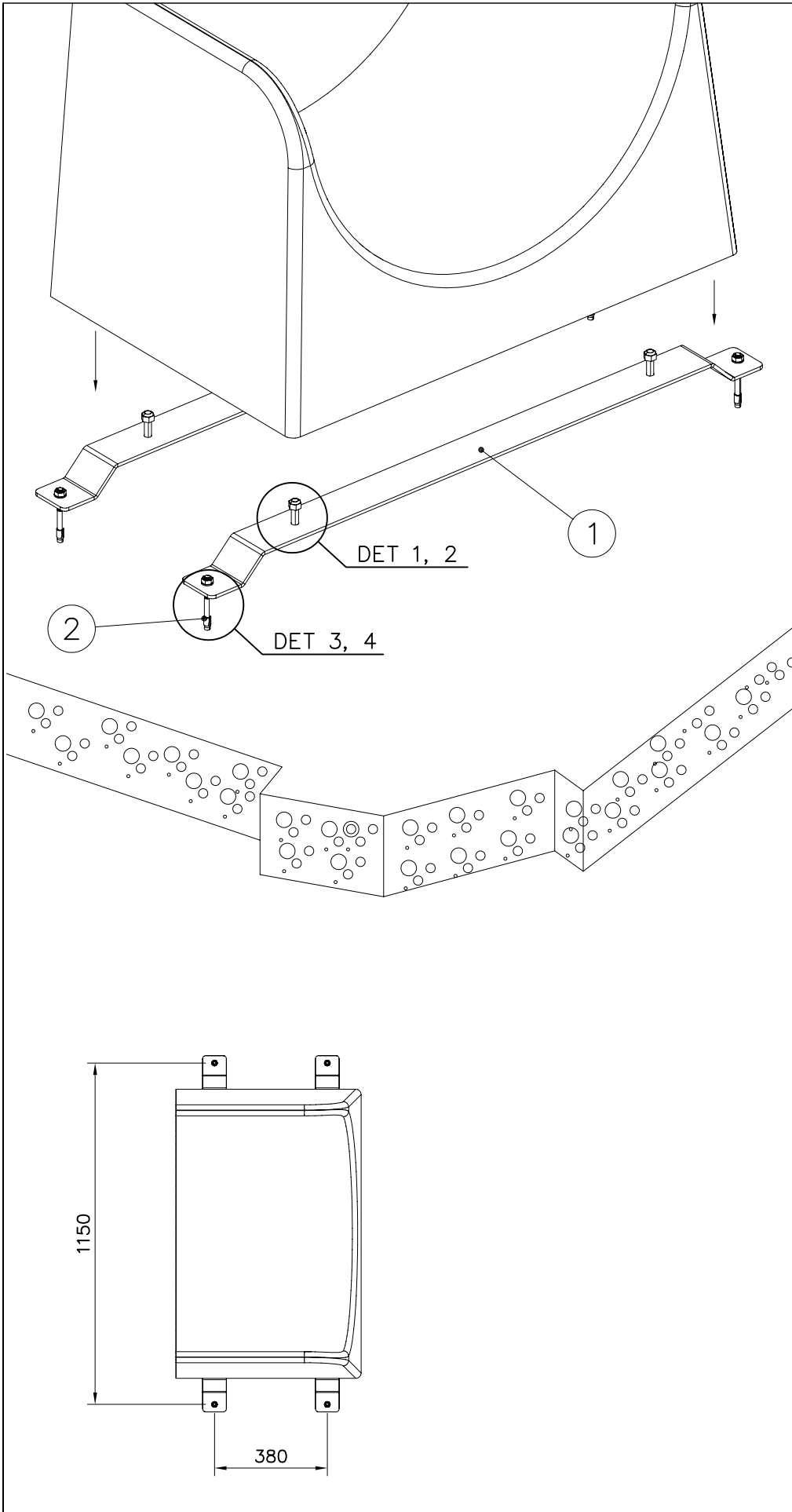


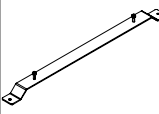

DET 2

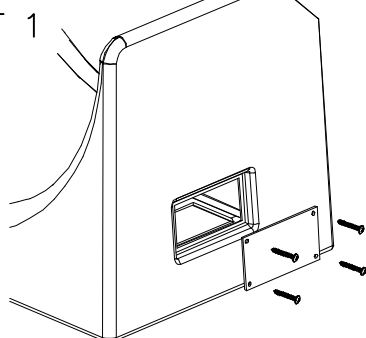
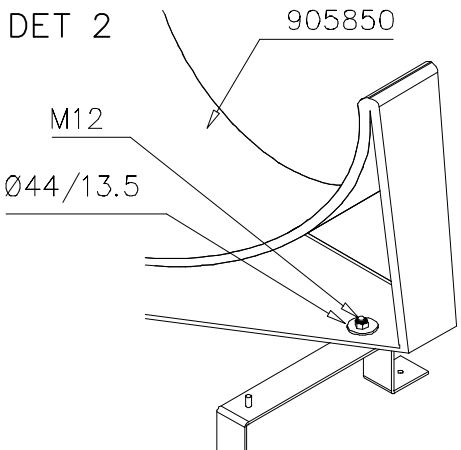
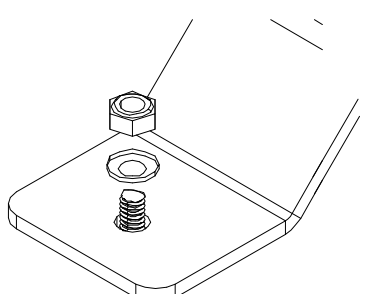
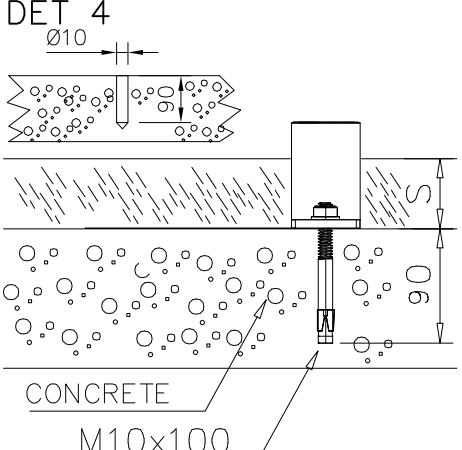


DET 3





① 905858	PCS	② 909628	PCS
	2		4
1200x80x90		M10x100	
	PCS		PCS
	PCS		PCS
	PCS		PCS
	PCS		PCS
	PCS		PCS

<p>DET 1</p>  <p>Access- and maintenance panel. Asennus- ja huolto luukku.</p>	<p>DET 2</p>  <p>905850</p> <p>M12</p> <p>Ø44/13.5</p>	<p>DET 3</p> 
<p>DET 4</p>  <p>Ø10</p> <p>90</p> <p>CONCRETE</p> <p>M10x100</p>		

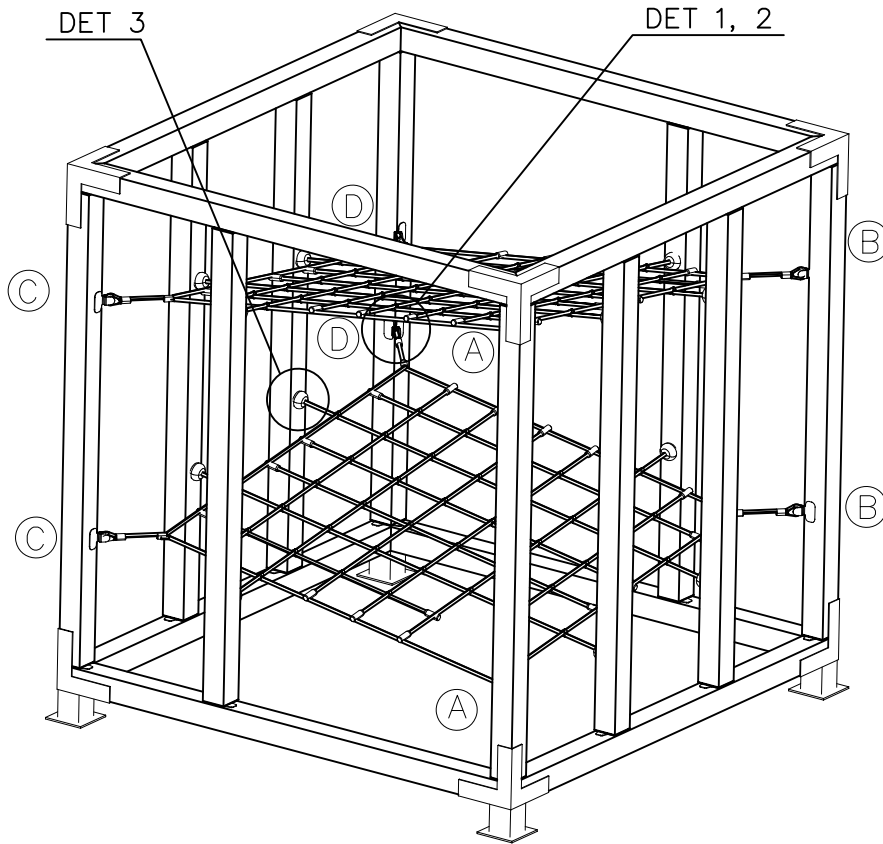
LAPPSET®

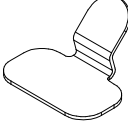
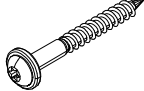
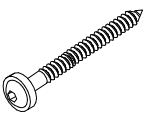
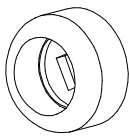
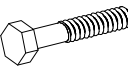
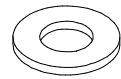
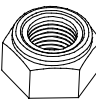
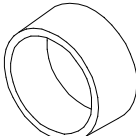
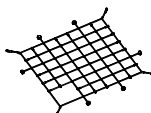
CUBIC

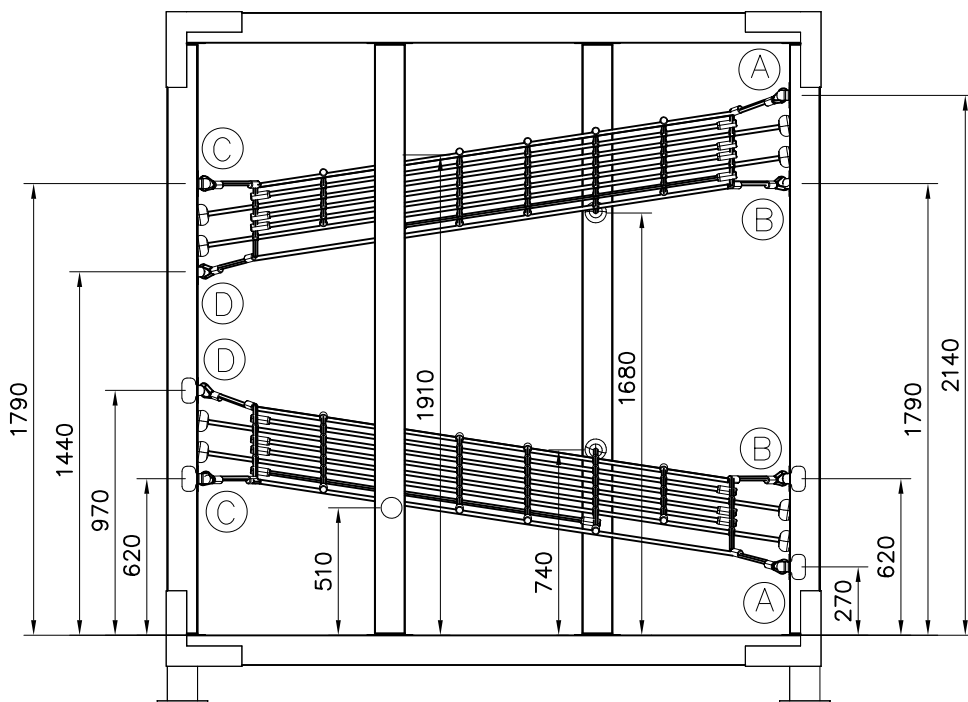
708348

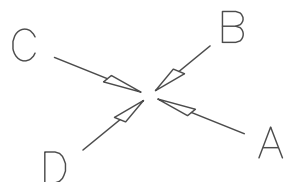
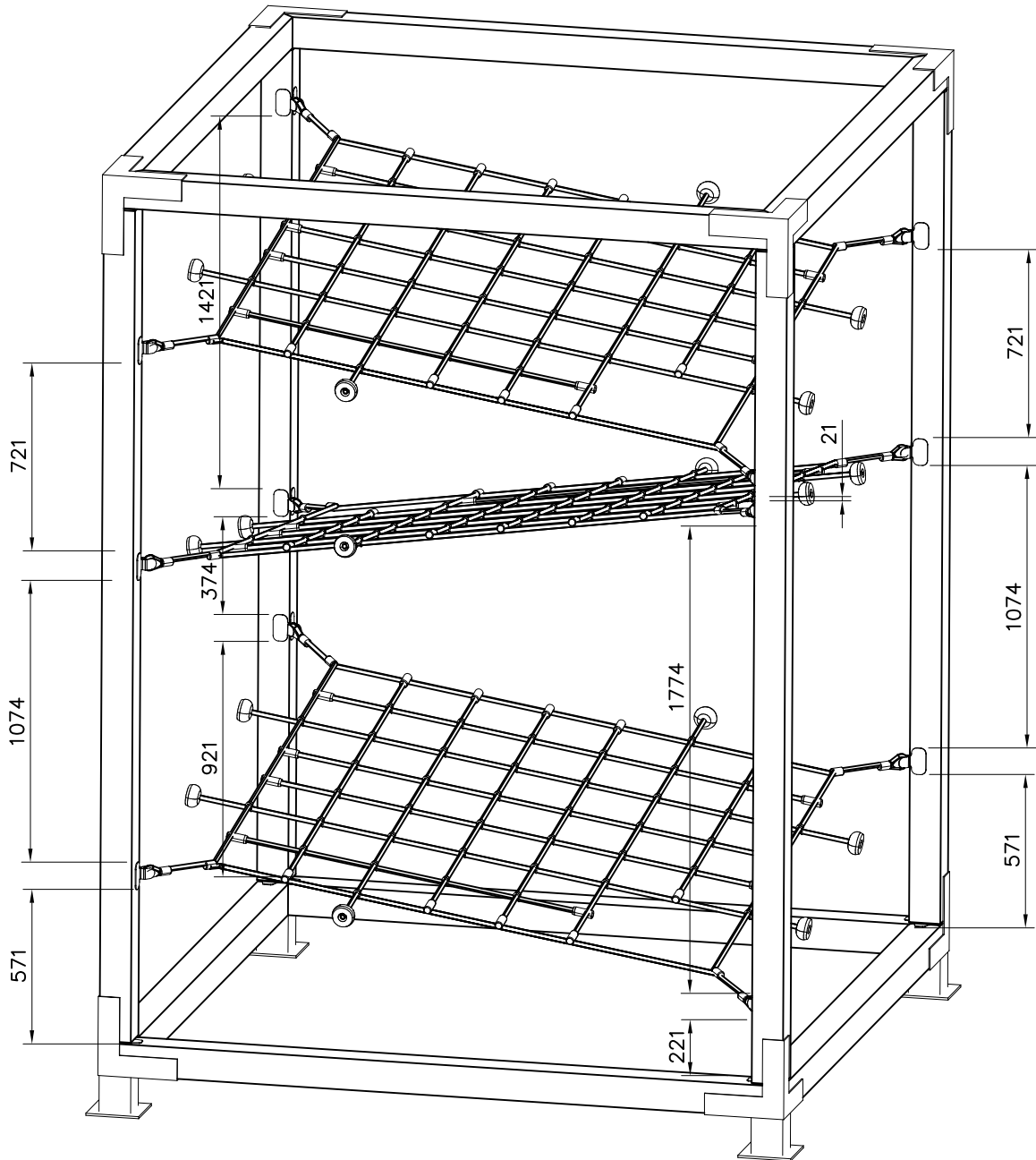
DATE: 17.8.2022

1(3)

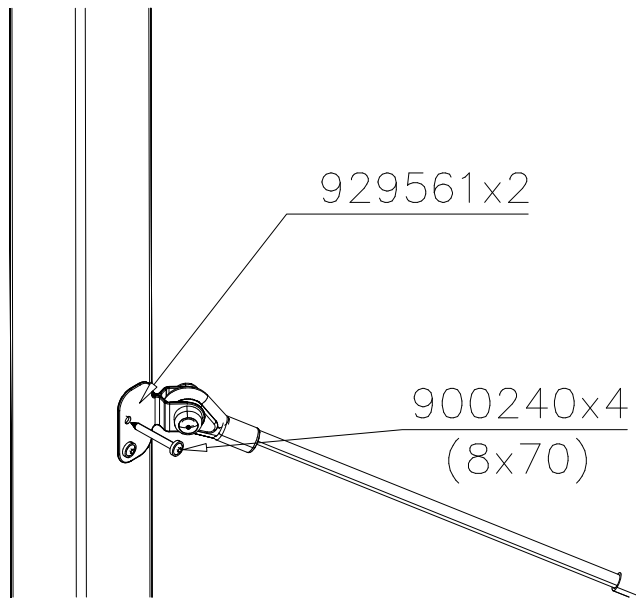


①	929561	PCS	②	900240	PCS
		8		Ø8x70	16
③	903093	PCS	④	905083	PCS
		12		Ø32	8
	Ø8x90				
⑤	909568	PCS	⑥	980151	PCS
		4		Ø16/8.4	8
	M8x55				
⑦	980150	PCS	⑧	905112	PCS
		4		Ø22	8
	M8				
		PCS			PCS
○	708339	PCS			PCS
					
		PCS			PCS
		PCS			PCS

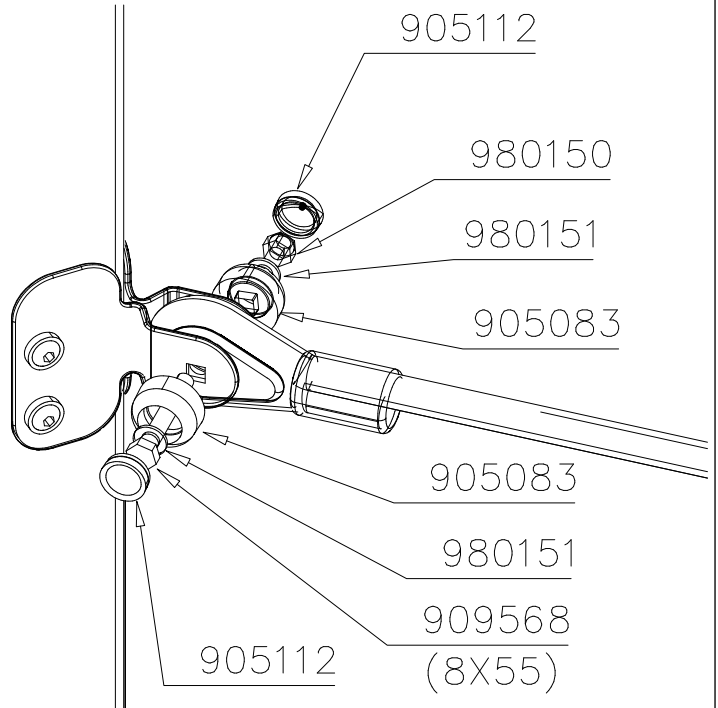




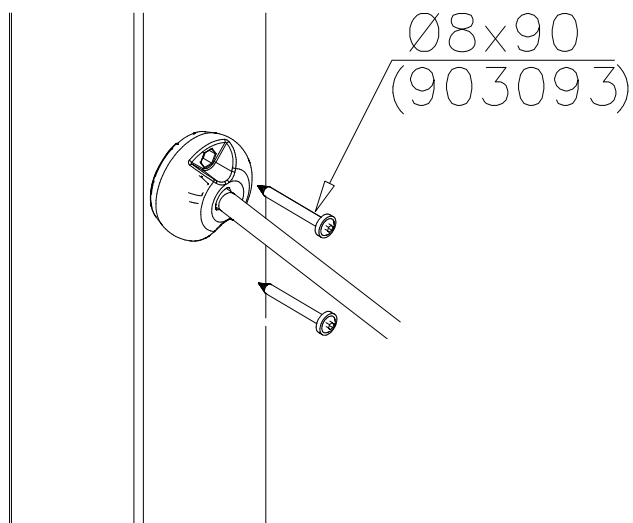
DET 1

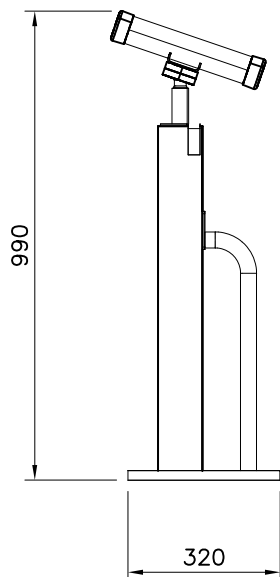
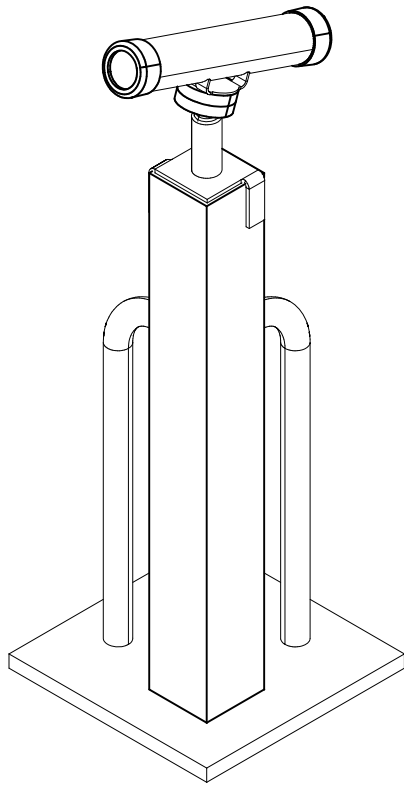



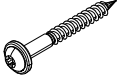
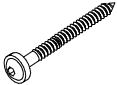
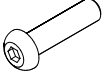

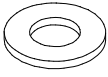
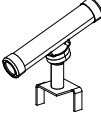


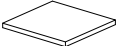
DET 2



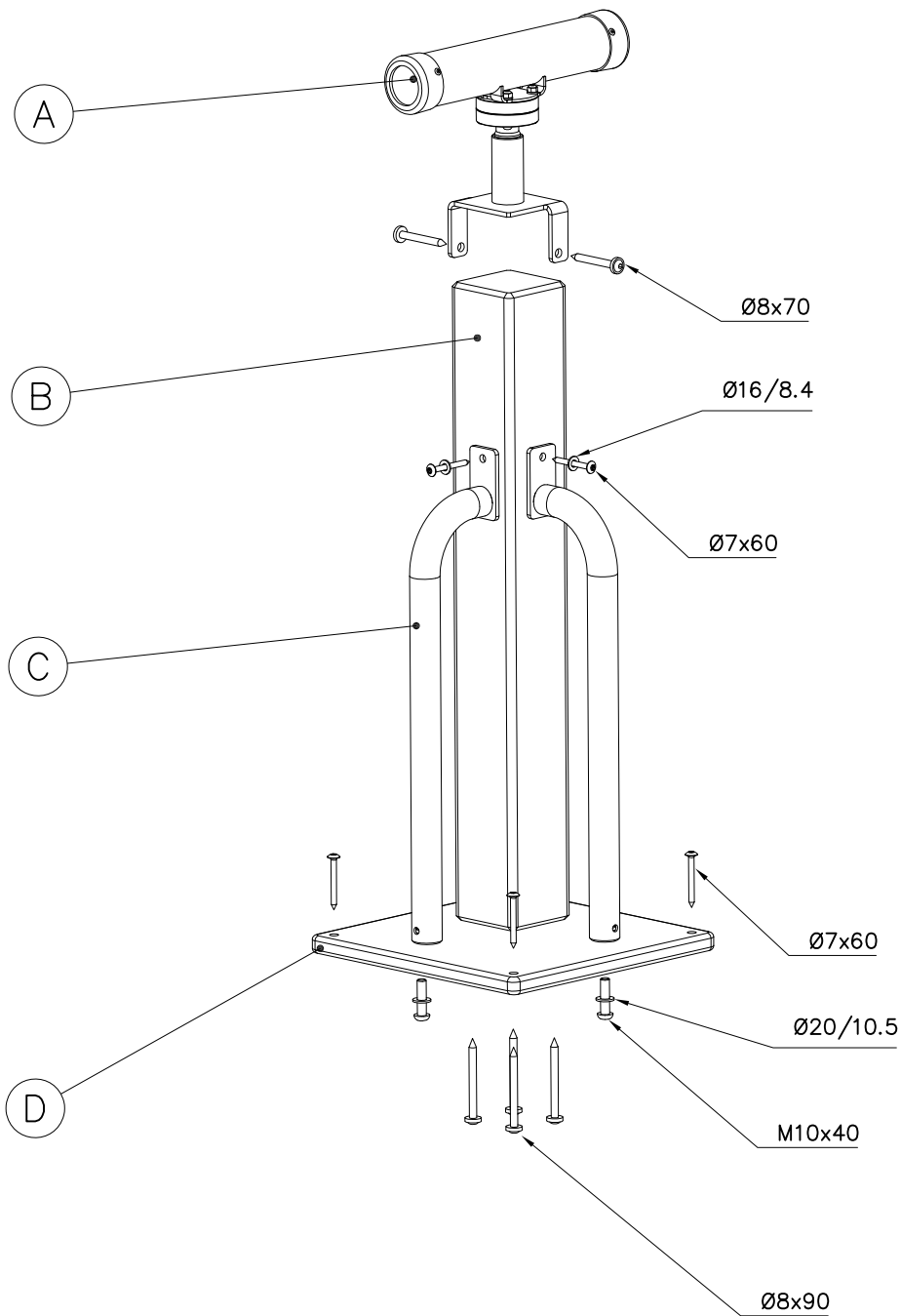
DET 3

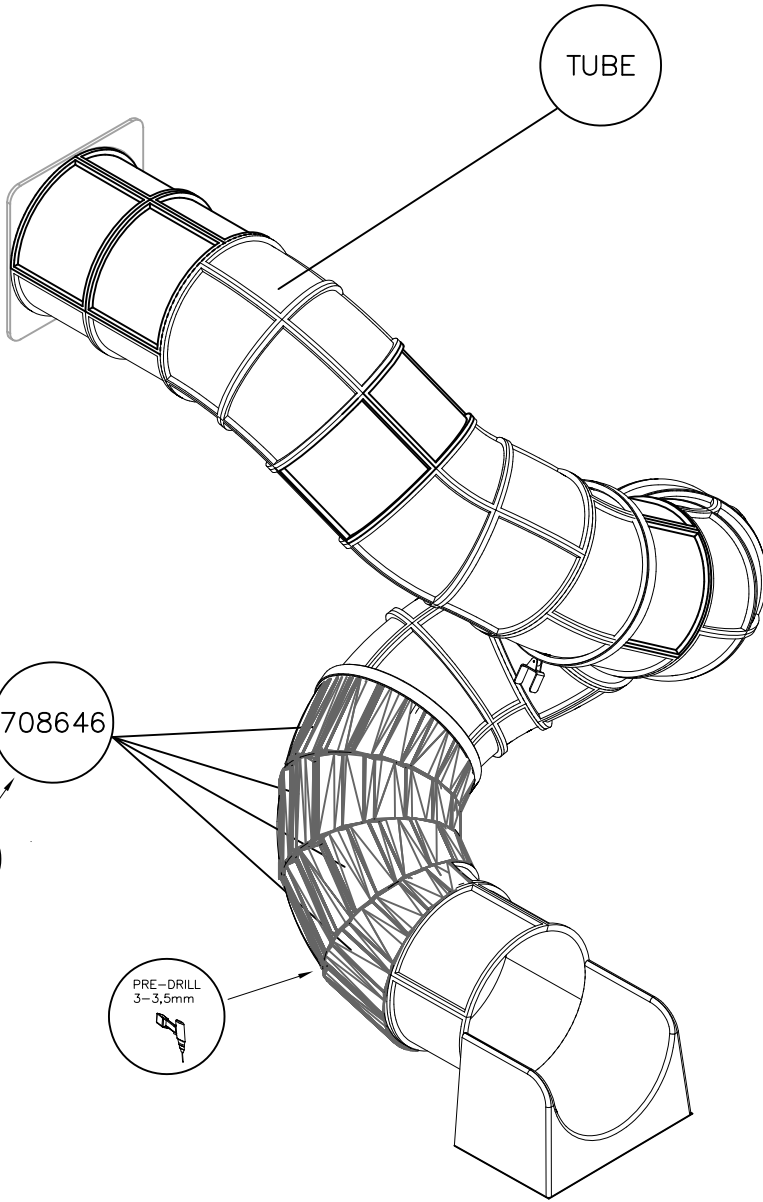


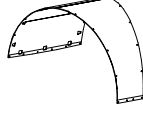



① 980123  Ø7x60	PCS 6	② 900240  Ø8x70	PCS 2
③ 903093  Ø8x90	PCS 4	④ 907727  M10x40	PCS 2
⑤ 909256  Ø16/8.4	PCS 2	⑥ 901302  Ø20/10.5	PCS 2
	PCS		PCS
	PCS		PCS
Ⓐ 707304 	PCS 1	Ⓑ 708351  93x93x724	PCS 2
Ⓒ 907701  40x545x114	PCS 2	Ⓓ 708352  20x320x320	PCS 1

DET 1





① 708646	PCS	② 909252	PCS
	4		104
3x1347x515		Ø4.8x25	
	PCS		PCS
	PCS		PCS
	PCS		PCS
	PCS		PCS
	PCS		PCS
	PCS		PCS
	PCS		PCS



Tuotekyltti tulee tuotteen mukana yhdellä seuraavista tavoista:

1) Metallinen tuotekyltti ja kiinnitysruuvit

- Kiinnitä tuotekyltti ruuveilla tolppaan noin 2 metrin korkeuteen kuvan 1 mukaisesti.

2) Tuotekylttitarra

- Puhdista maalattu metalli- tai vaneripinta pölystä ja kosteudesta. Liimaa tarra kuvan 2 mukaisesti.
- Huom. Älä kiinnitä tarraa karheapintaiseen laminaattiin tai maalattuun puuhun.

Vår produktmärkning levereras på ett av följande sätt:

1) Produktskylt i metall

- Fäst skylten med de medföljande skruvarna

2) Självhäftande produktetikett

- Rengör den pulverlackerade metallytan eller laminatyten så att den blir fri från smuts och fukt. Fäst etiketten enligt fig. 2.
- Obs! Fäst ej etiketten på detaljer med skrovlig yta eller på målat trä.

Product label is delivered by one of following ways:

1) Metal product label and screws

- Fasten the label with screws.

2) Label sticker

- Clean the painted metal or plywood surface from dirt and moisture. Fasten the sticker as shown in the figure 2.
- Note. Do not attach the sticker to rough surfaced laminate or painted wood.

La plaque d'informations produit est livrée sous l'une de ces 3 formes :

1) Plaque métallique et vis

- Fixez la plaque à l'aide des vis.

2) Etiquette autocollante

- Avant de coller l'étiquette, nettoyez le composant métallique peint ou la plaque de contreplaqué, de toute saleté. La surface doit être sèche (voir image 2).
- Attention, ne pas coller l'étiquette sur une surface lamellé-collée irrégulière ou sur du bois peint.

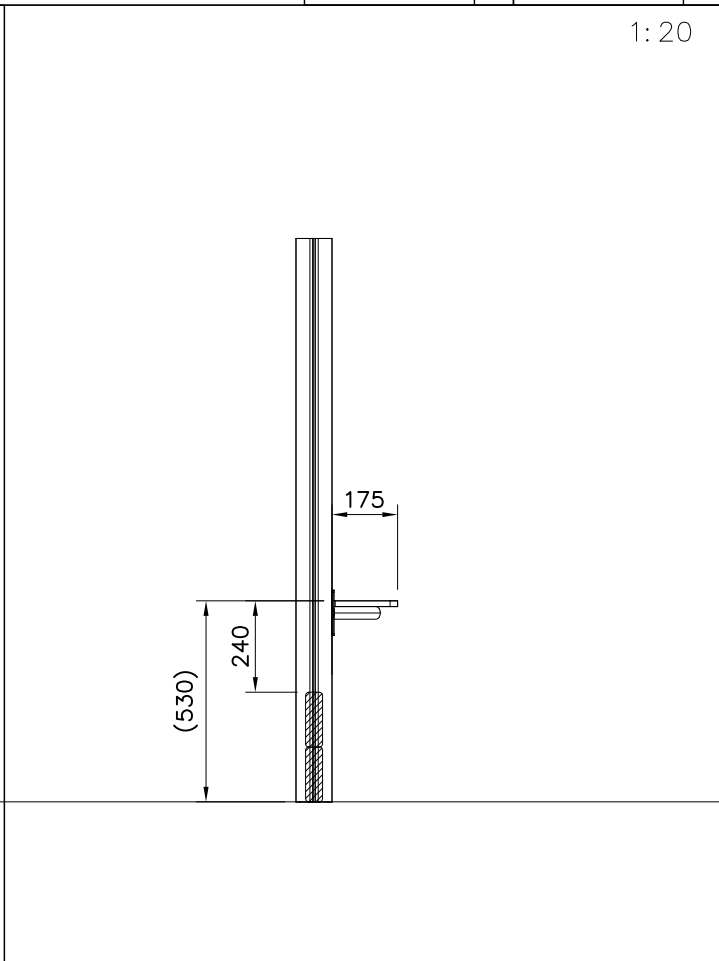
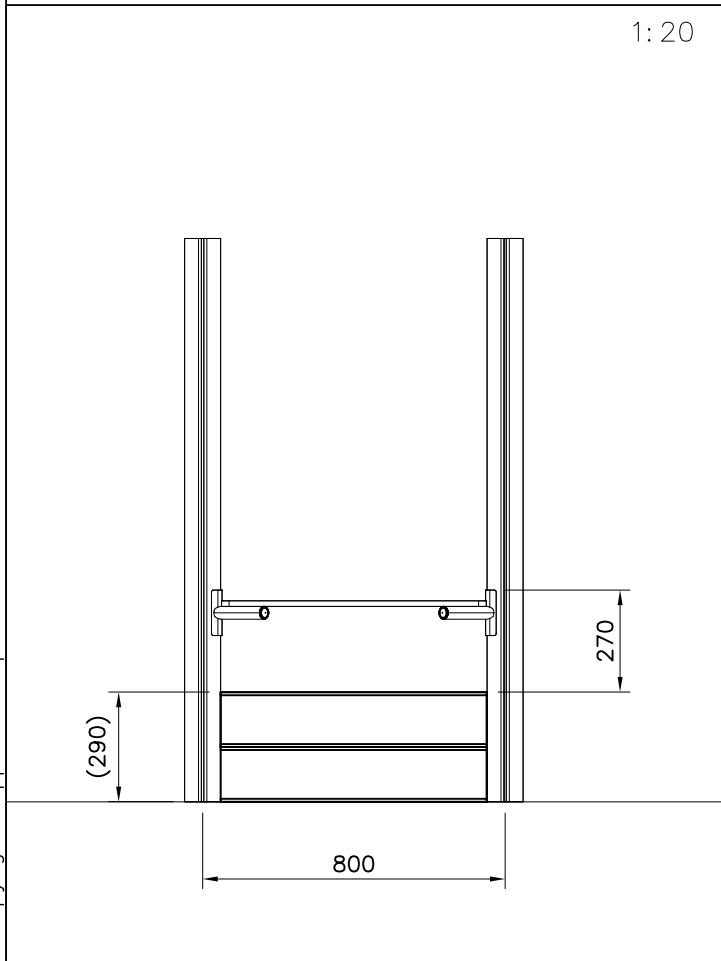
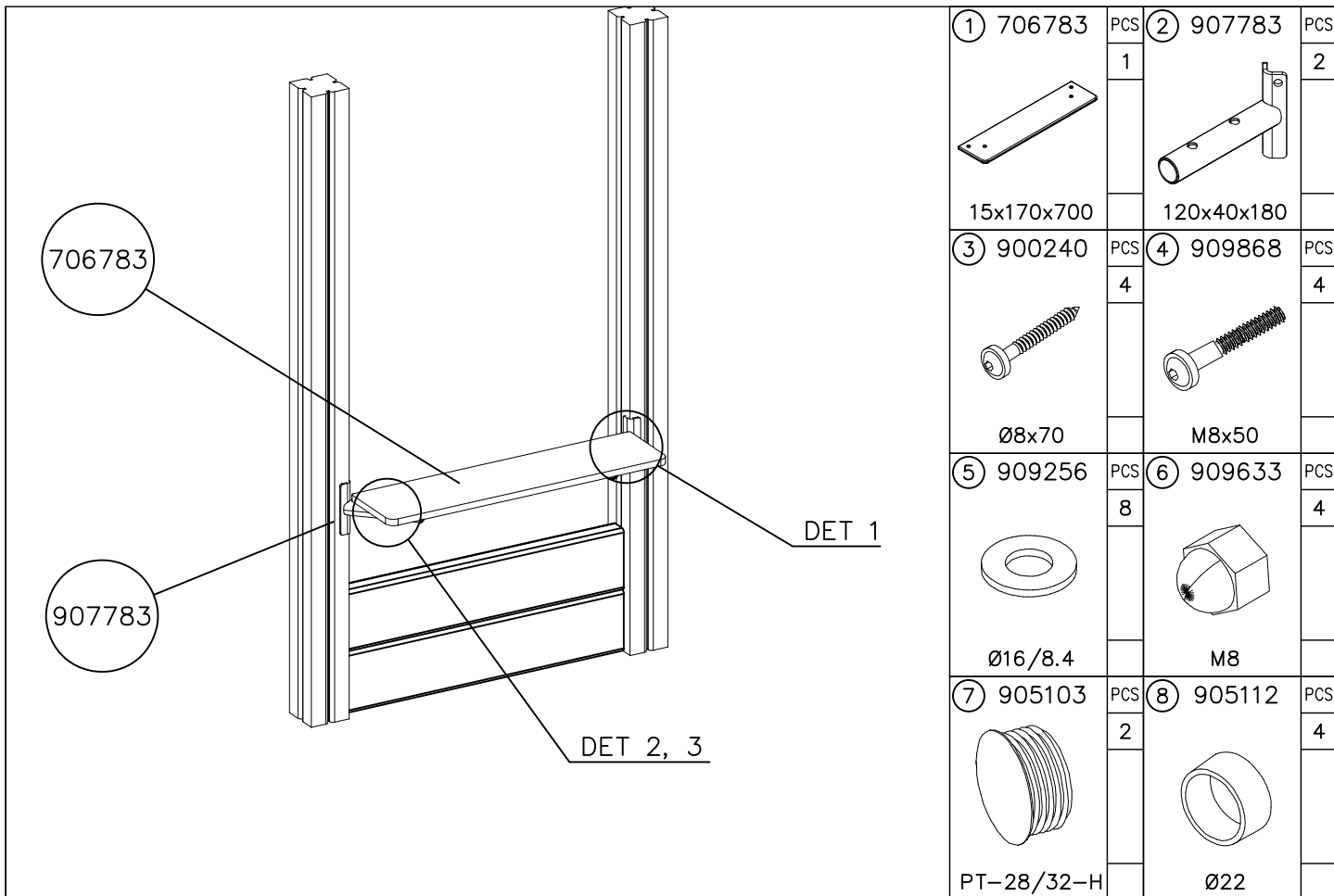
Die Auslieferung des Produktaufklebers erfolgt auf eine dieser Arten:

1) Produkt-Schild aus Metall incl. Schrauben

- Die Befestigung des Schildes erfolgt mittels der Schrauben.

2) Aufkleber

- Entfernen Sie zunächst Schmutz und Feuchtigkeit vom lackierten Metall bzw. von der Holzoberfläche und bringen Sie den Aufkleber wie im Bild oben rechts beschrieben auf den gesäuberten Untergrund auf.
- Beachten Sie: Bringen Sie den Aufkleber nicht auf raues laminiertes oder lackiertes Holz an.



DET 1

Pre-drill hole
 Esireikä

Ø5 ↓ 50

907783

Ø16/8.4

(909256)

Ø8x70

(900240)

DET 2

907783

905103

DET 3

905112

M8x50

(909868)

706783

Ø16/8.4

(909256)

M8

(909633)