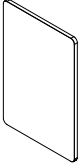
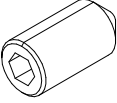




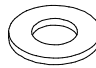
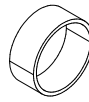
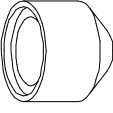
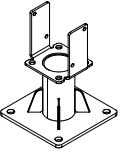
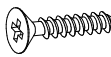

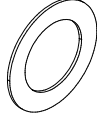
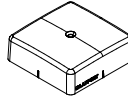
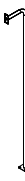

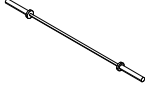
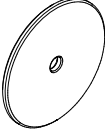

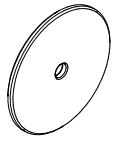
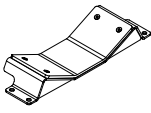
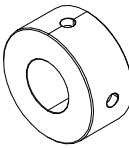

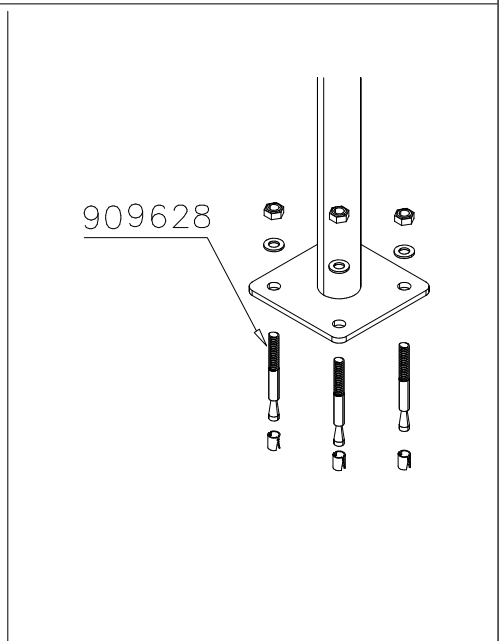
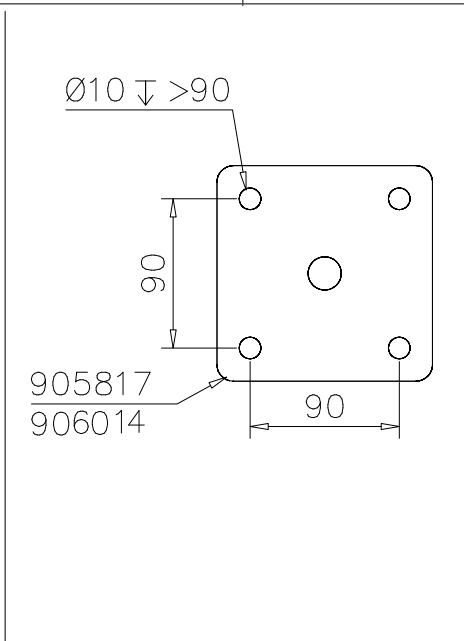
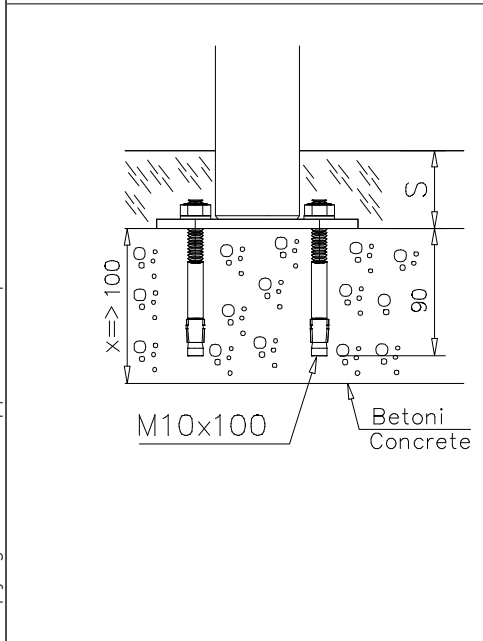
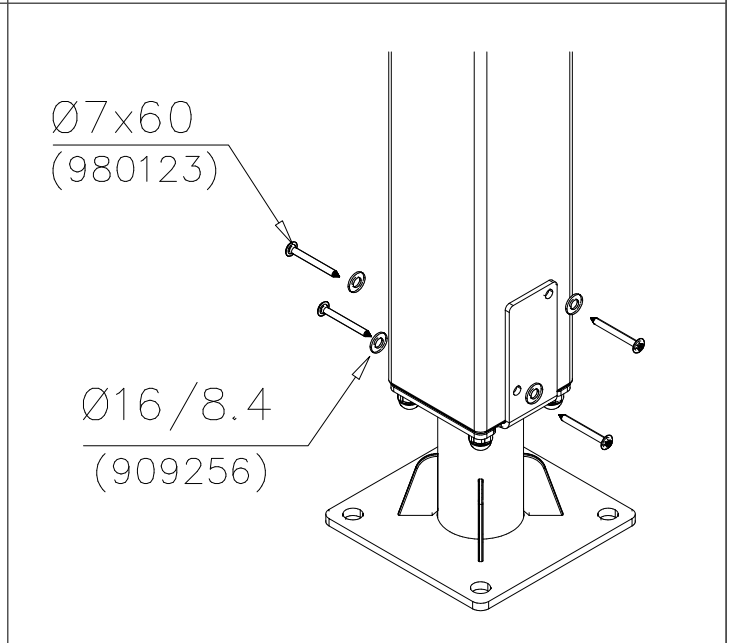
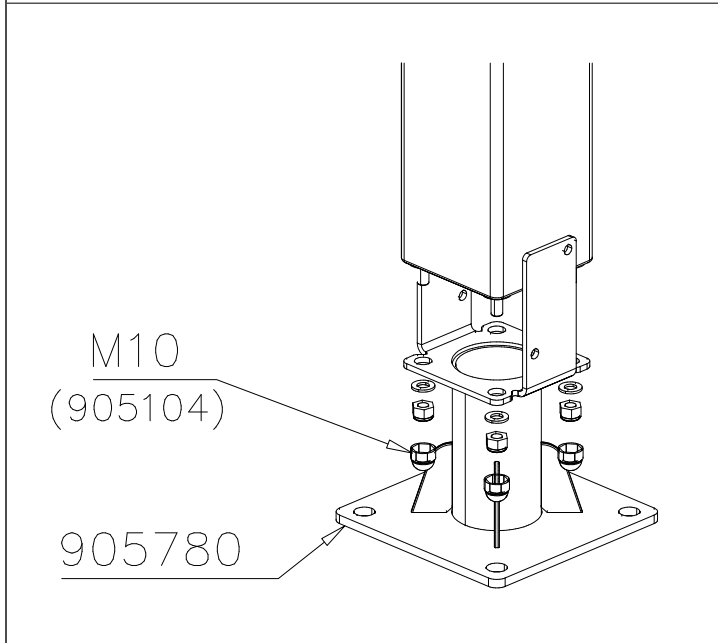
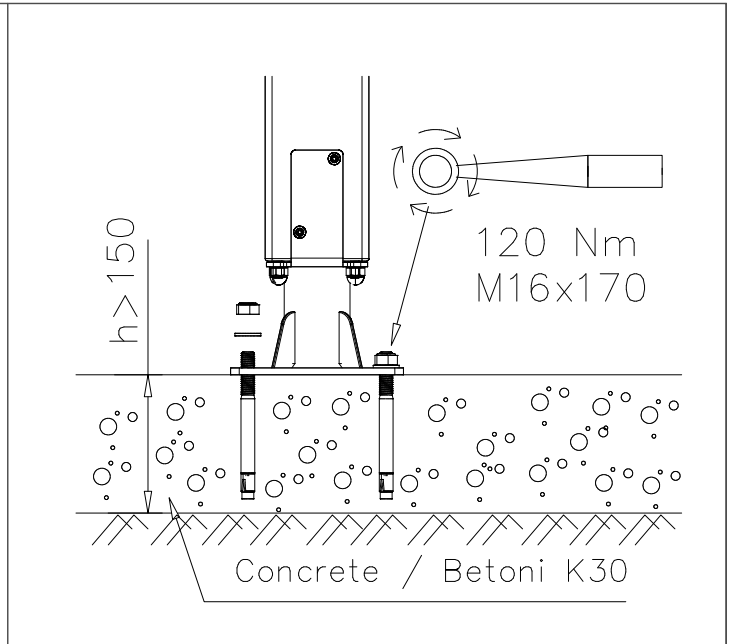
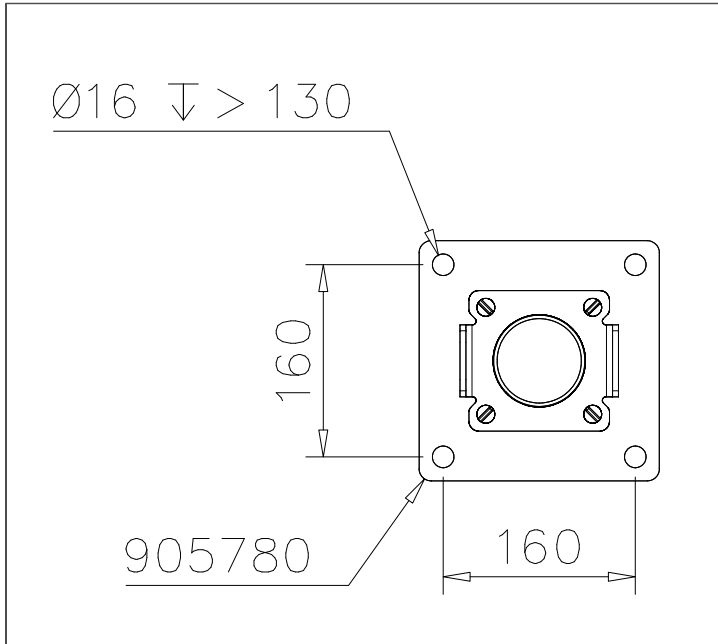


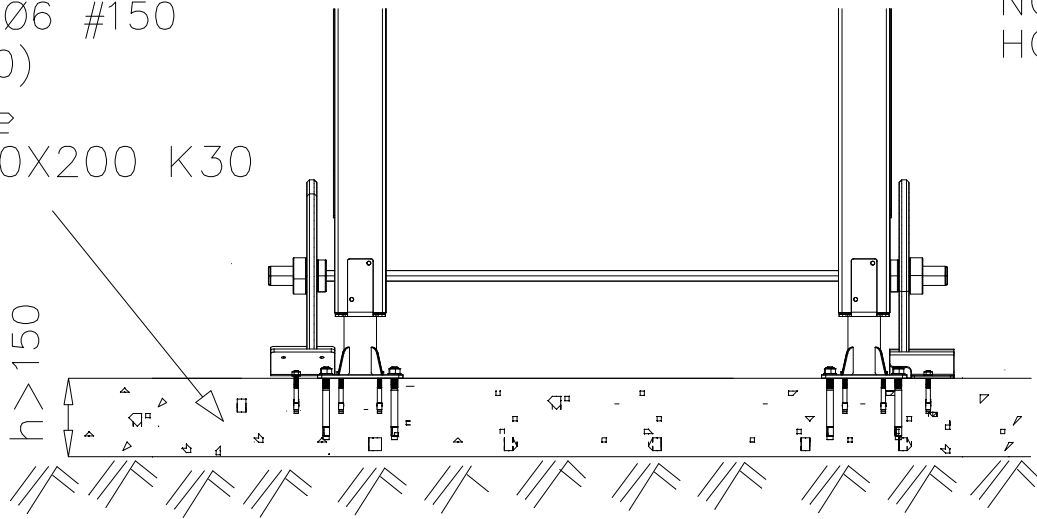


① 706035	PCS	② 909500	PCS	⑬ 980104	PCS	⑭ 980123	PCS
	1		4		2		16
		M10x20		Ø5x90		Ø7x60	
③ 980114	PCS	④ 904450	PCS	⑮ 909256	PCS	⑯ 906642	PCS
	4		8		16		10
Ø4x20		M16x170		Ø16/8.4		Ø50/45x20	
⑤ 905104	PCS	⑥ 905780	PCS	⑰ 980129	PCS	⑱ 705018	PCS
	8		2		12		2
M10		120x120x150		Ø5x35		120x120x1170	
⑦ 906770	PCS	⑧ 905830	PCS	⑳ 906734	PCS	㉑ 906736	PCS
	4		2		2		2
Ø74/48x2		123x123x40		1226X386X60		30x30x3x920	
⑨ 906637	PCS	⑩ 906596	PCS	㉒ 907560	PCS		PCS
	1		2		2		
L=1720		Ø450 15kg		Ø90/46-33			
⑪ 906600	PCS	⑫ 705542	PCS				
	2		2				
Ø450 10kg							
⑬ 908976	PCS	⑭ 909628	PCS				
	2		16				
Ø98/45x44	12	M10x100					
	PCS		PCS				

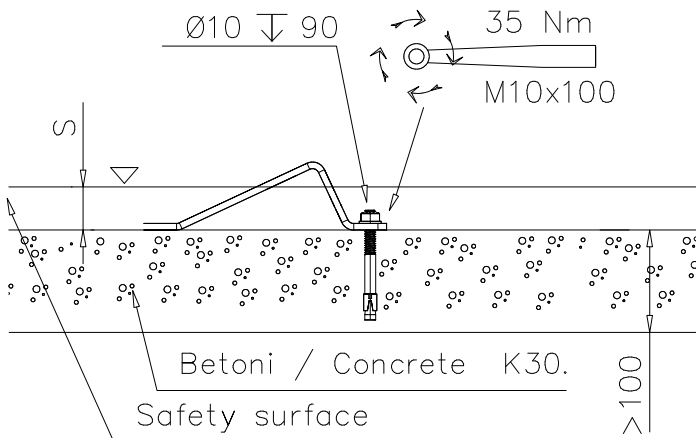


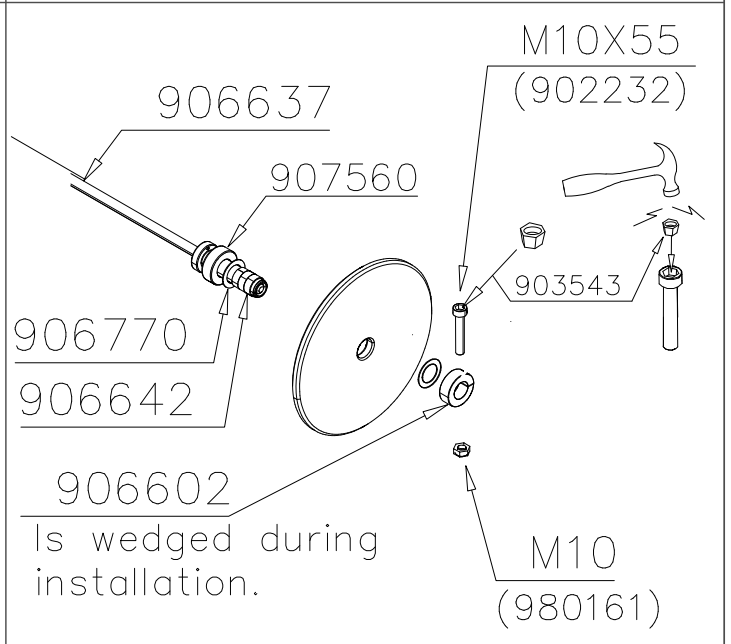
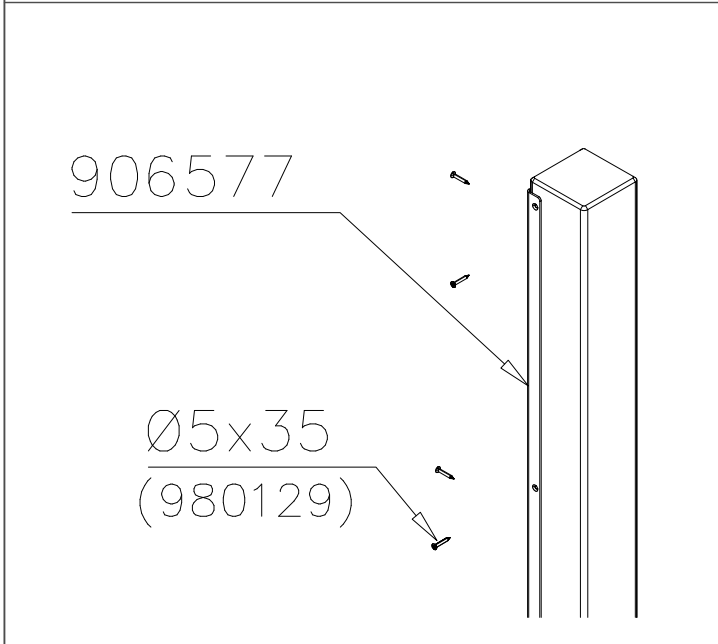
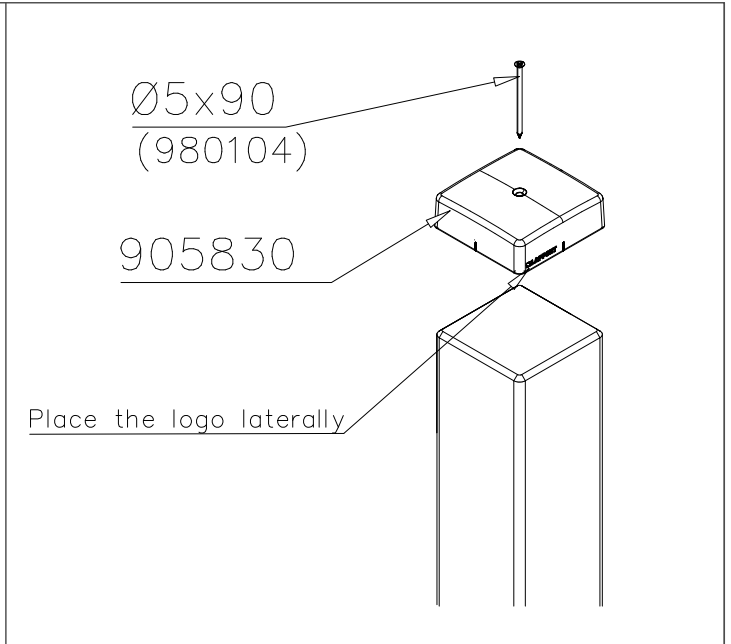
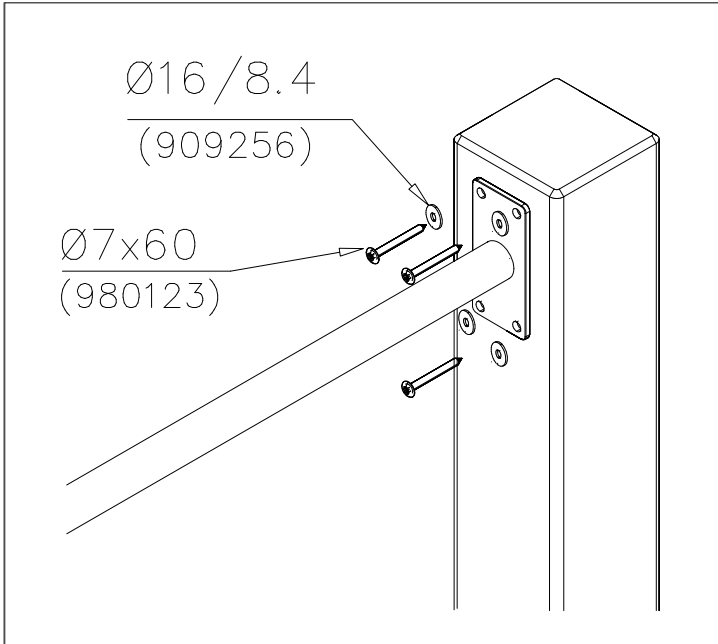
STEELNET Ø6 #150
(1400x2100)
Concrete
1500X2200X200 K30

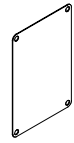

NOTE!
HOX!

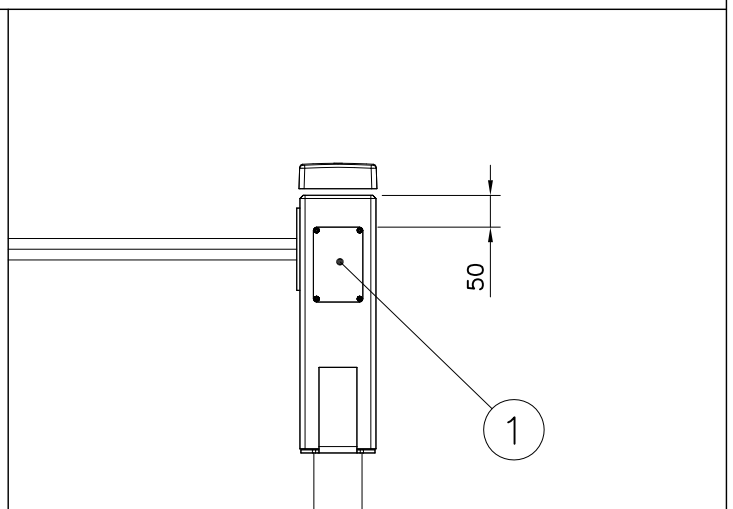
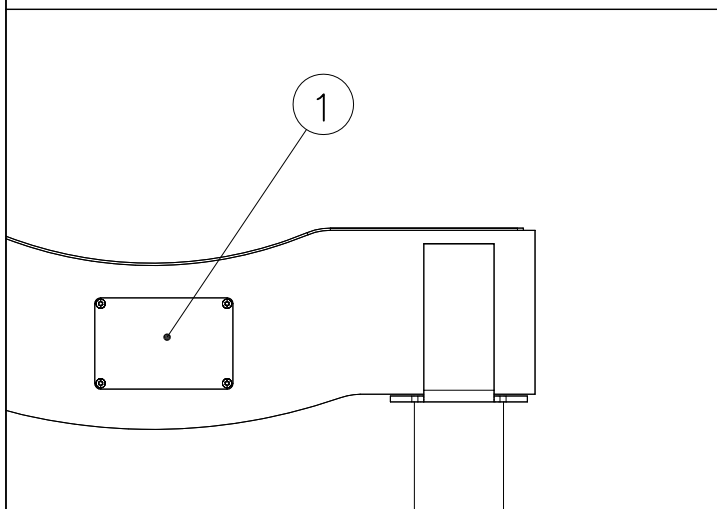
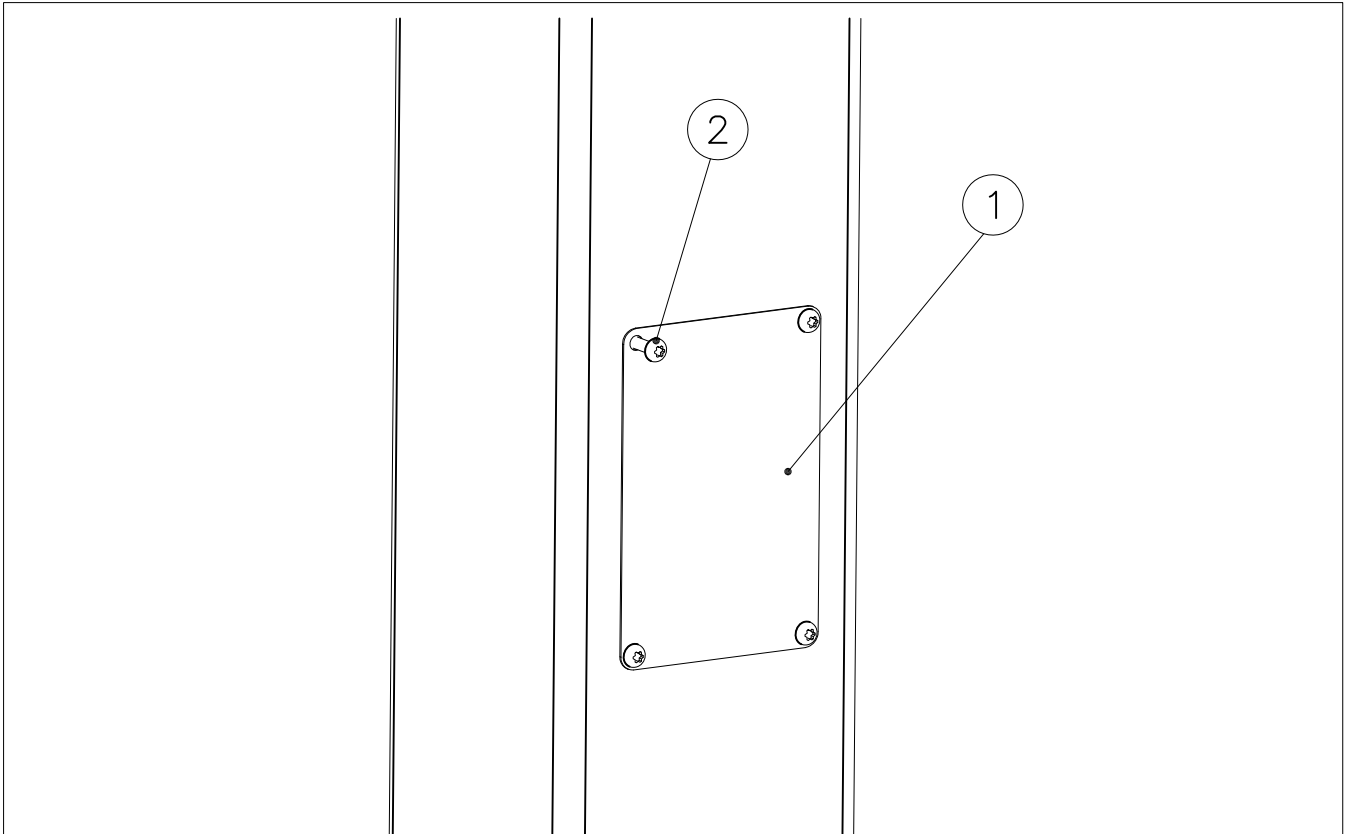


Esireikä / Pre-drill hole.





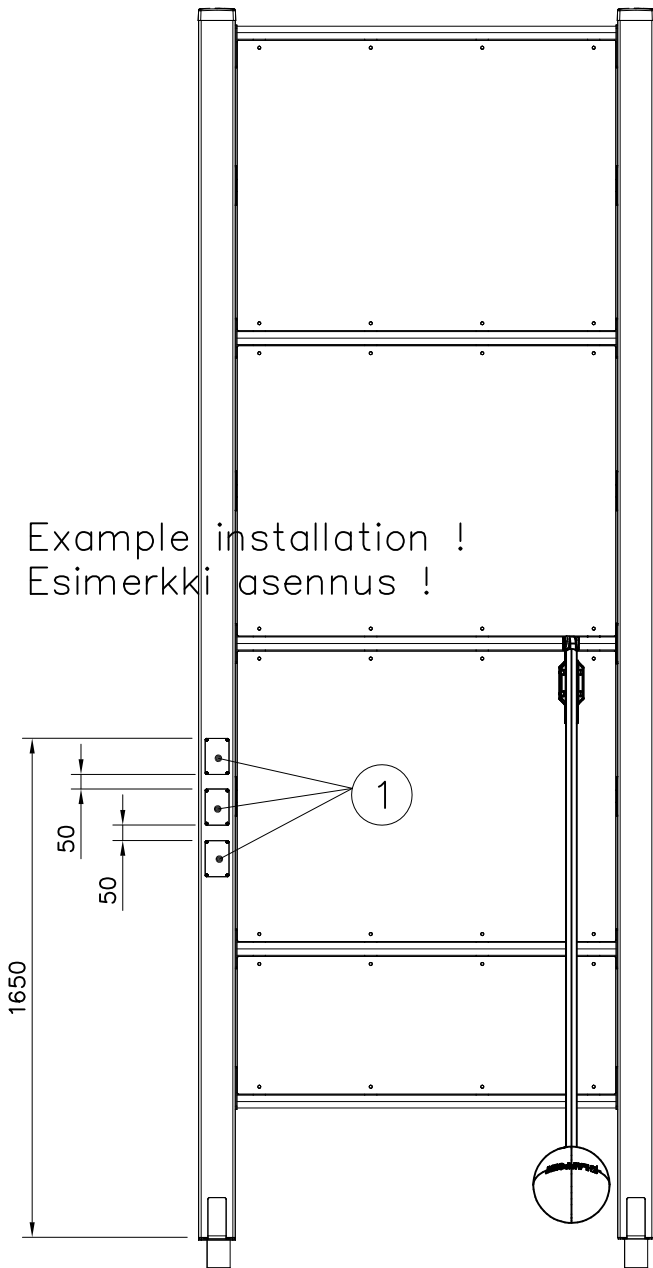
① SHEET METAL	PCS	② 980114	PCS
	1		4
118x78x0.7		Ø4x20	



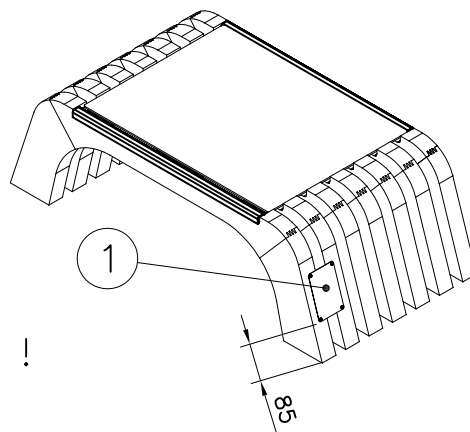
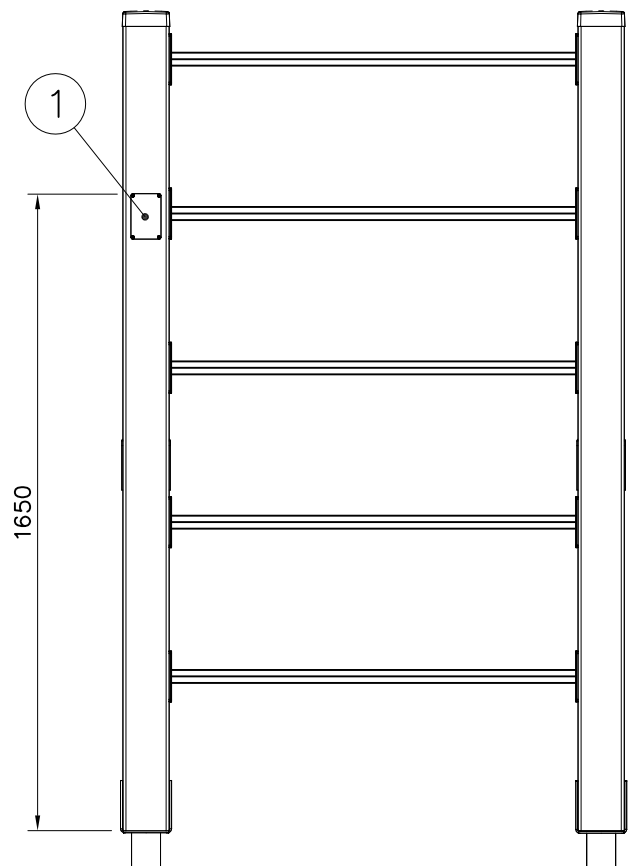
Example installation !
Esimerkki asennus !

Example installation !
Esimerkki asennus !

Example installation !
Esimerkki asennus !



Example installation !
Esimerkki asennus !



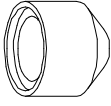
Example installation !
Esimerkki asennus !

LAPPSET® BETON FOUNDATION

FOOT

DATE: 27.10.2015

1(1)

② 905104	PCS		PCS
	4		
 M10	PCS		PCS



905104