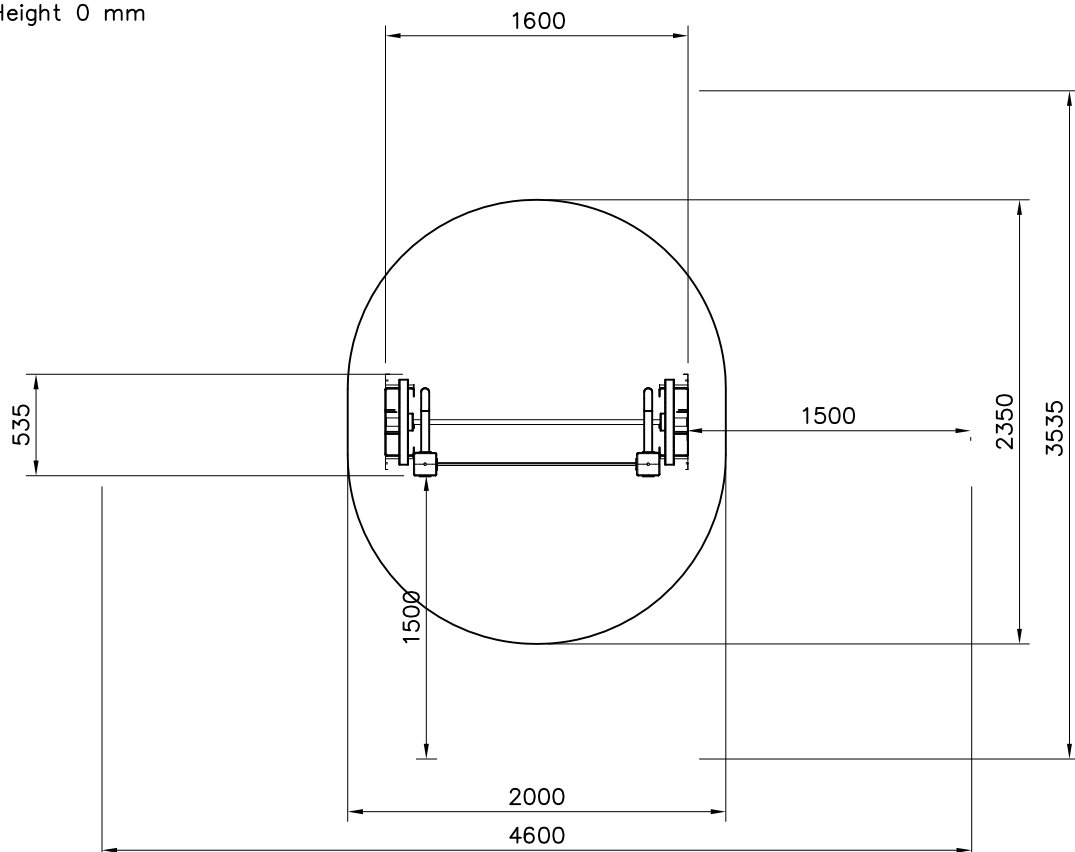
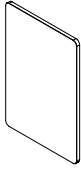
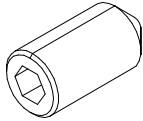

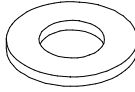


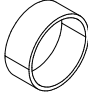
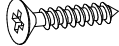
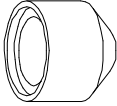
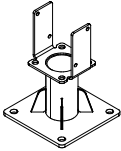


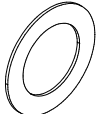
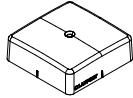

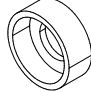
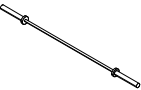
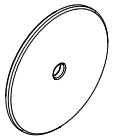
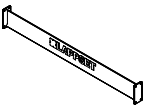
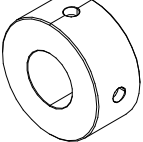
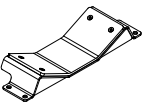




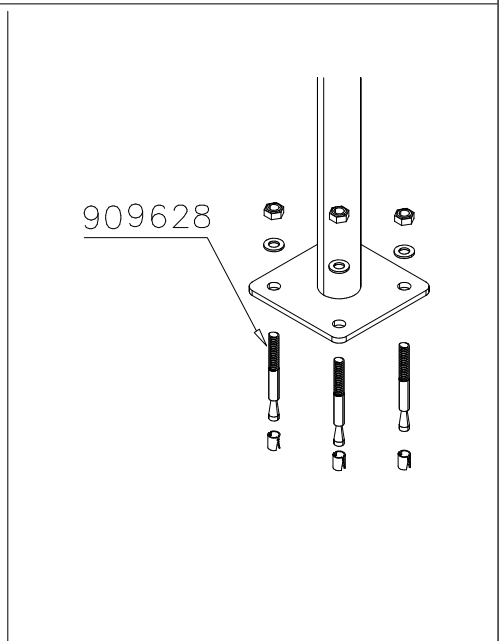
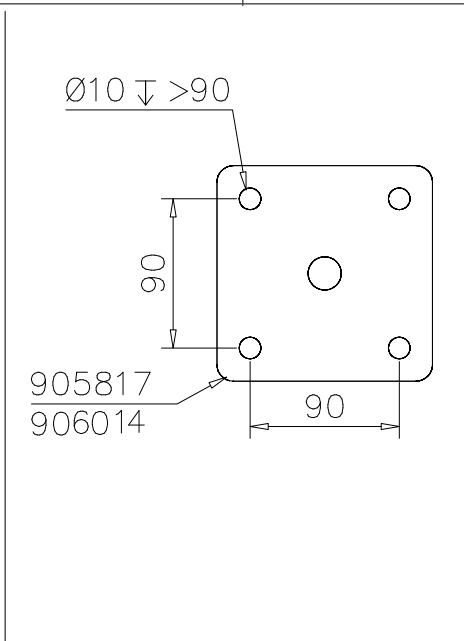
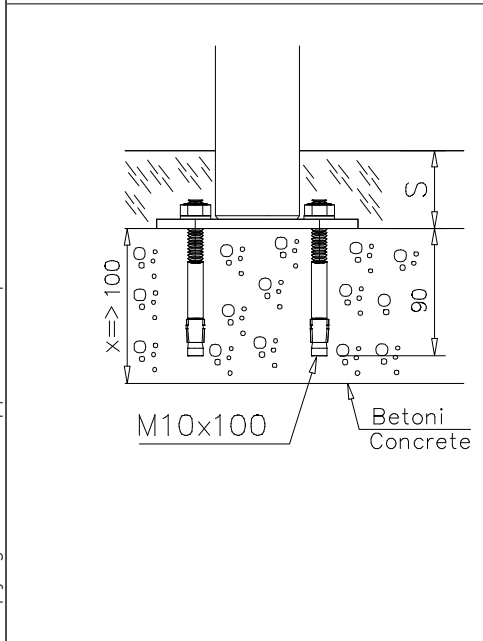
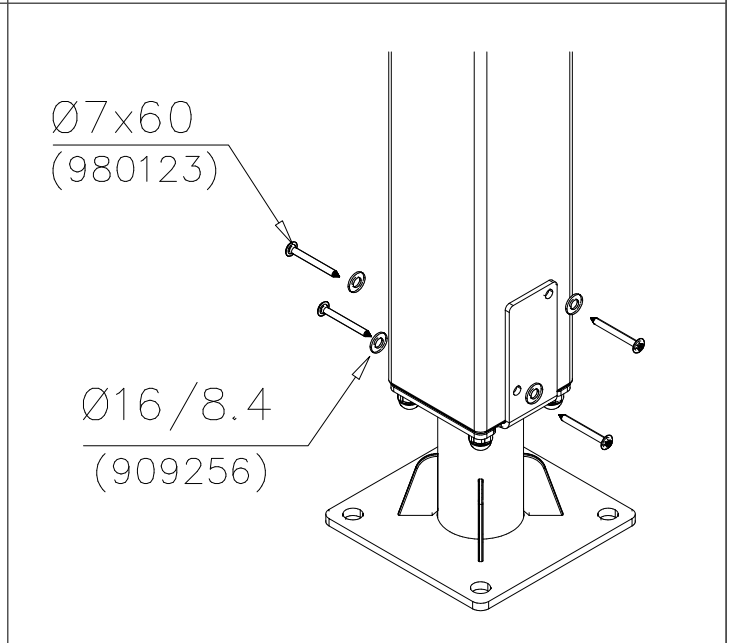
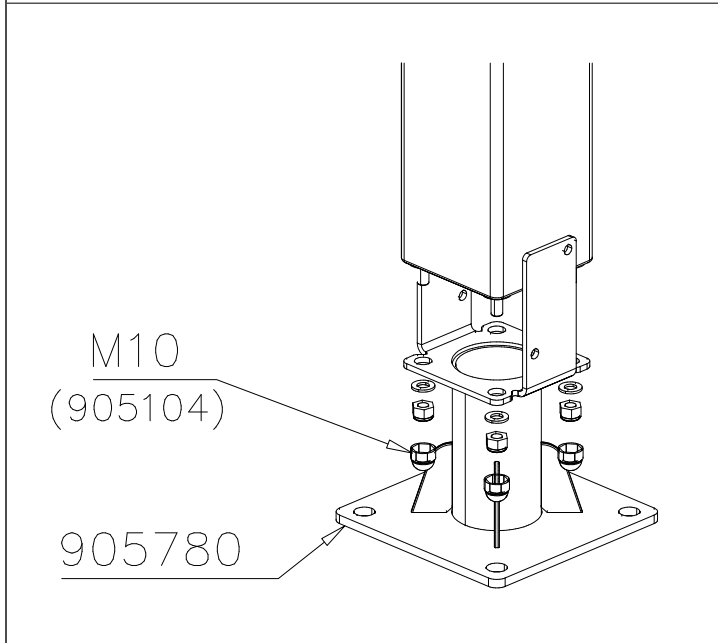
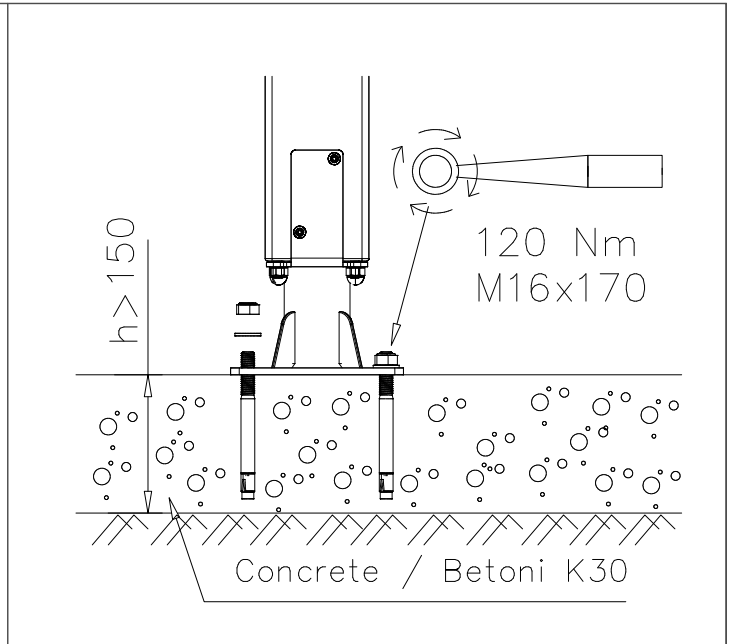
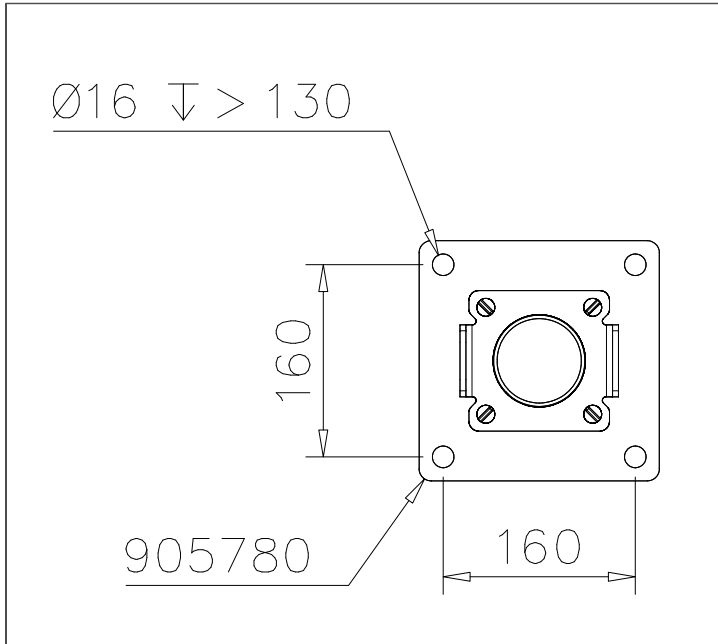
Area of Movement 14.3 m²
Training Space 3.8 m²
Max Falling Height 0 mm

1:40



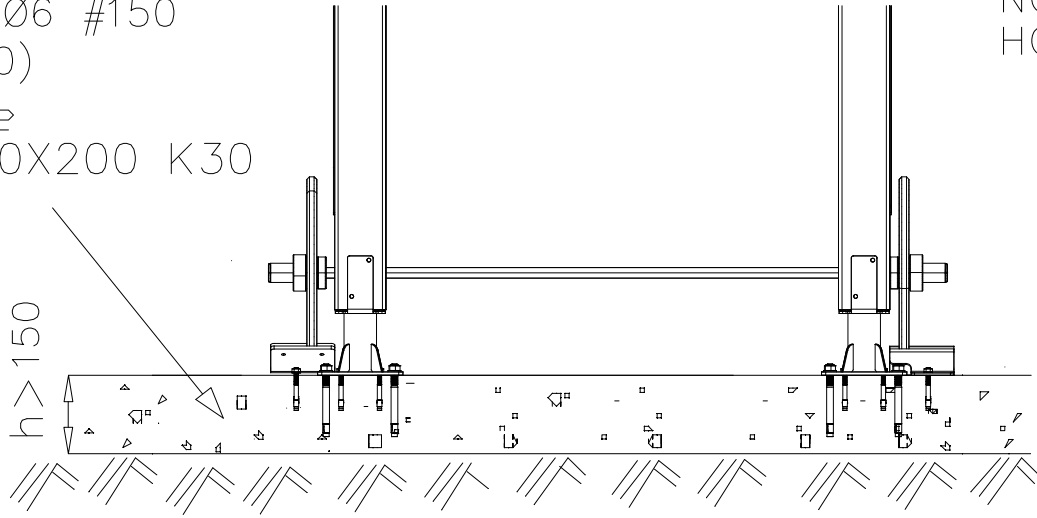


① 706021	PCS	② 909500	PCS	⑬ 980123	PCS	⑭ 909256	PCS
	1	 M10x20	4	 Ø7x60	24	 Ø16/8.4	24
③ 980114	PCS	④ 904450	PCS	⑮ 906642	PCS	⑯ 980129	PCS
 Ø4x20	4	 M16x170	8	 Ø50/45x20	4	 Ø5x35	20
⑤ 905104	PCS	⑥ 905780	PCS	⑰ 705322	PCS	⑱ 905817	PCS
 M10	8	 120x120x150	2	 120x120x2500	2	 2626X386X60	2
⑦ 906770	PCS	⑧ 905830	PCS	⑳ 906577	PCS	㉑ 907560	PCS
 Ø74/48x2	4	 123x123x40	2	 30x30x3x2250	2	 Ø90/46-33	2
⑨ 906637	PCS	⑩ 906600	PCS				
 L=1590	1	 Ø450 10kg	2				
⑪ 906605	PCS	⑫ 908976	PCS				
 L=1060	1	 Ø98/45x44	2				
⑬ 705542	PCS	⑰ 980104	PCS				
 L=1060	2	 Ø5x90	2				
⑮ 909628	PCS						
 M10x100	16						

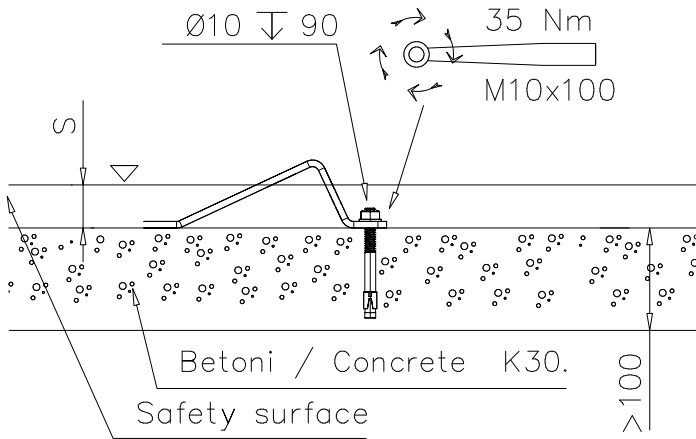


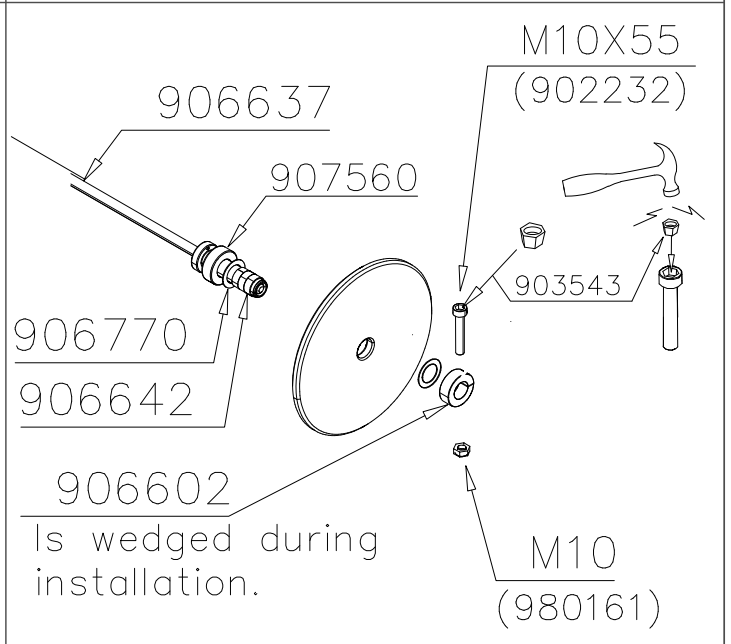
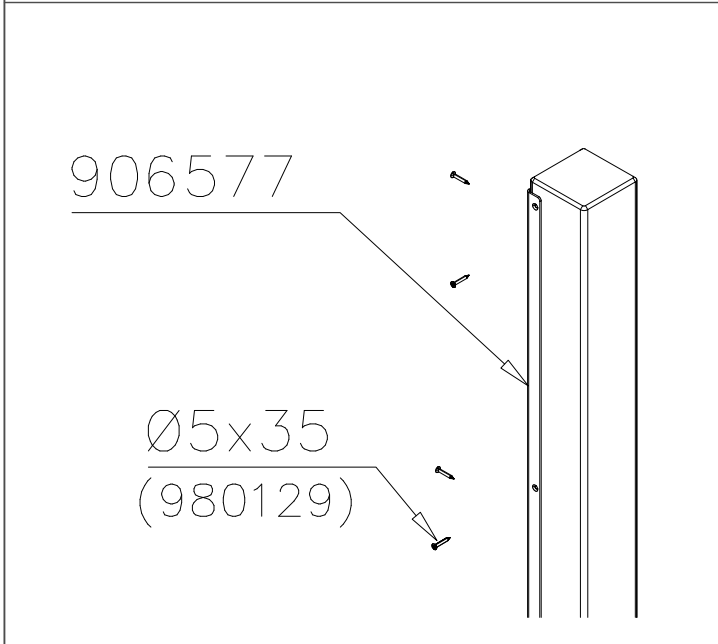
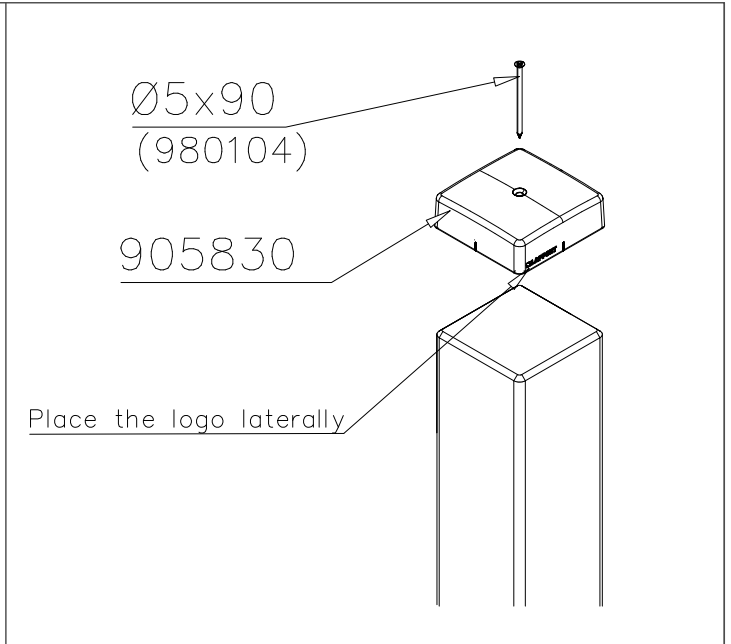
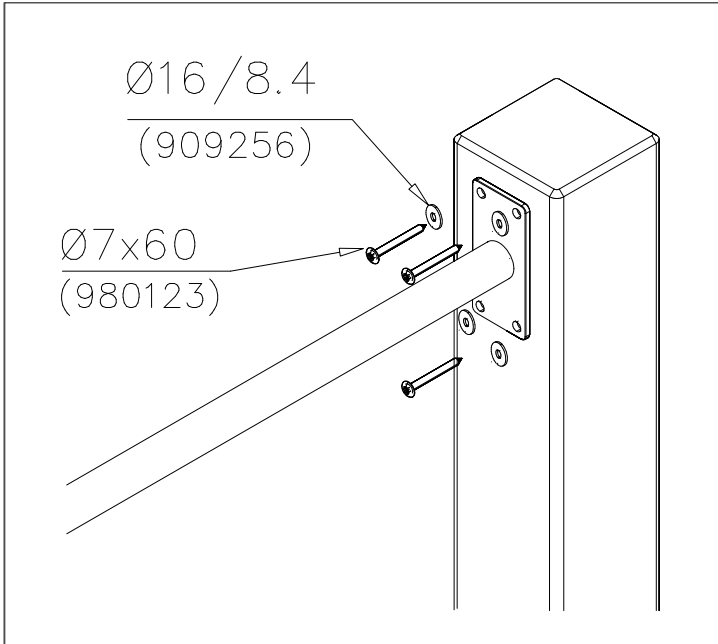
STEELNET Ø6 #150
(1400x2100)
Concrete
1500X2200X200 K30

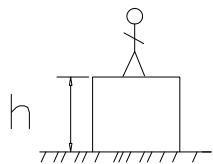
NOTE!
HOX!



Esireikä / Pre-drill hole.







$h < 1000$

Totally hard surfaces or materials with very limited impact attenuating properties.

Totally hard surfaces.
E.g. concrete or asphalt



Case by case risk assessment is needed including e.g. evaluation whether there is forced movement, what is the intended exercise and where will the product be installed.

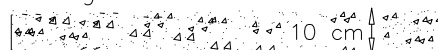
Materials with very limited impact attenuating properties.
E.g. wood



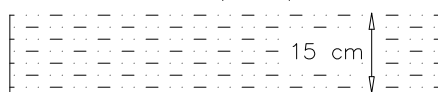
$h < 1200$

Materials with significant impact attenuating properties.

fine gravel 0–8 mm



Unsorted sand/ topsoil



$h < 1500$

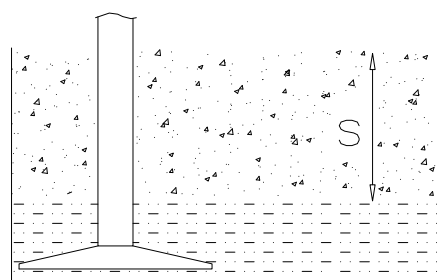
Lawn



$h < 3000$

Loose fill material

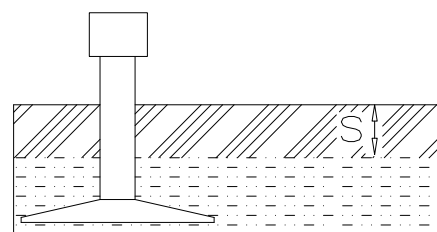
E.g.
sand/gravel 0,25...8 mm $D_{60}/D_{10} < 3,0$
Woodchips 5...30 mm
bark 20...80 mm



\underline{S}	\underline{h}
30 cm	$< 2,0$ m
40 cm	$< 3,0$ m

Syntetic granulates

\underline{S}	\underline{h}
40 mm	$\sim > 1,2...1,3$ m
50 mm	$\sim > 1,5...1,7$ m
60 mm	$\sim > 1,8...2,0$ m
70 mm	$\sim > 2,1...2,5$ m



Note. For accurate values, see manufacturer's instructions.

LAPPSET®
BETON FOUNDATION

FOOT

DATE: 27.10.2015

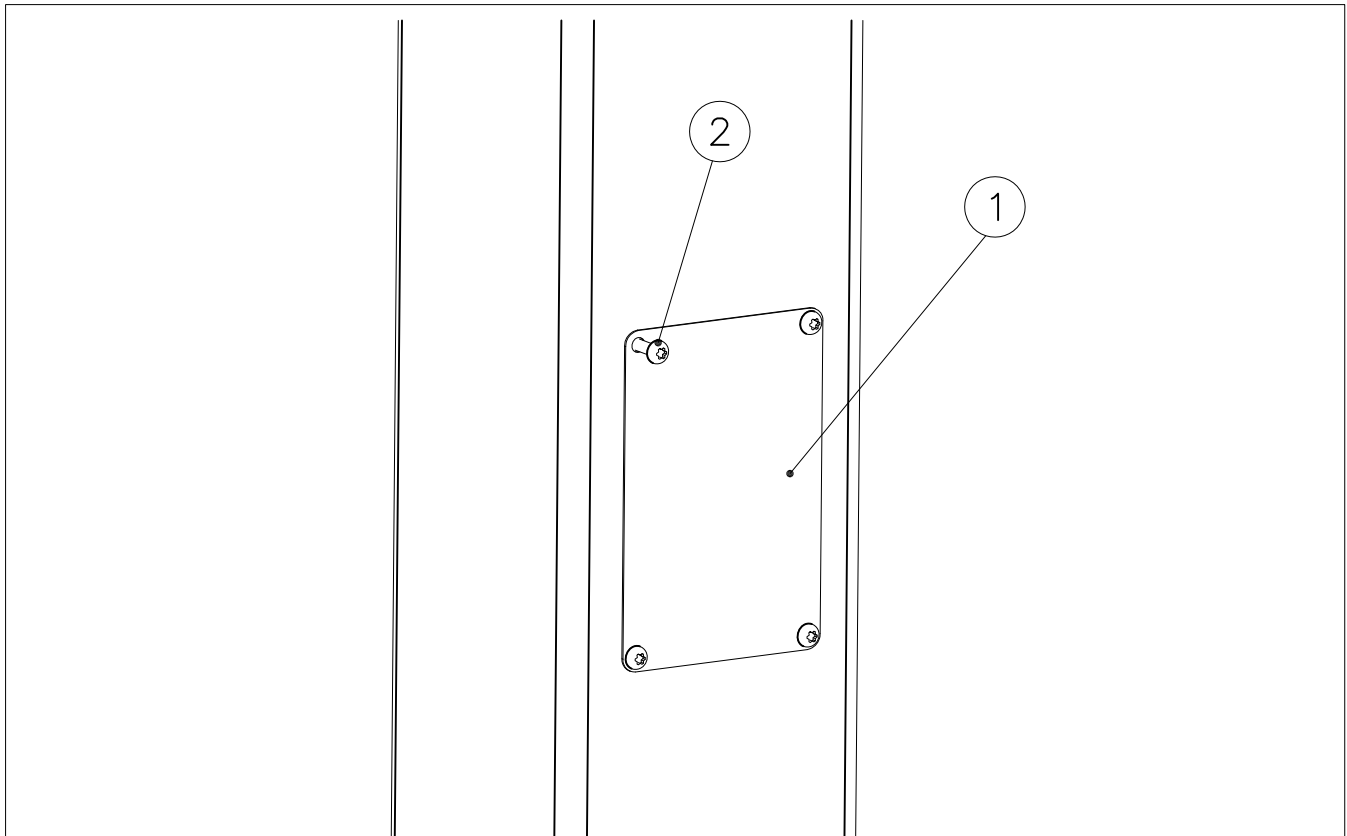
1(1)

② 905104	PCS		PCS
	4		
 M10	PCS		PCS



905104

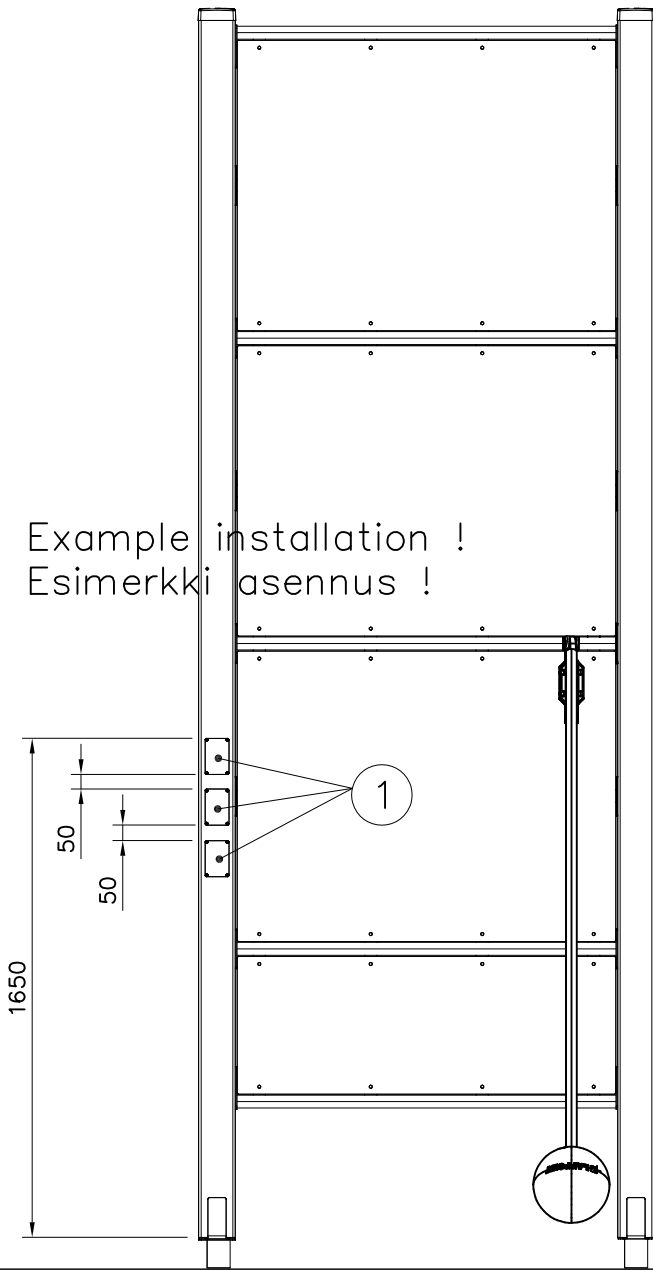
① SHEET METAL	PCS	② 980114	PCS
	1		4
118x78x0.7		Ø4x20	



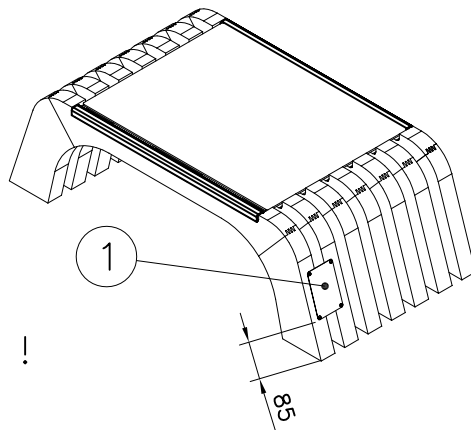
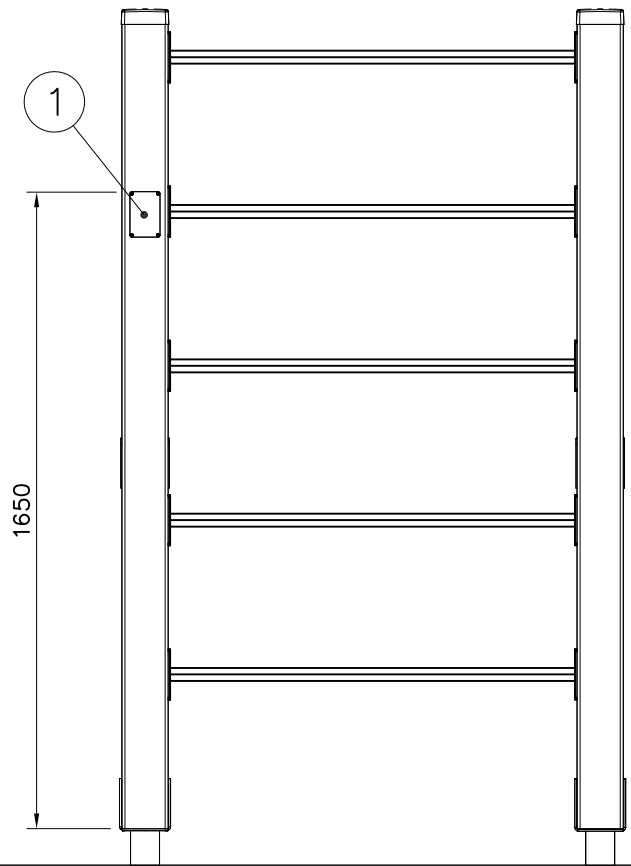
Example installation !
Esimerkki asennus !

Example installation !
Esimerkki asennus !

Example installation !
Esimerkki asennus !



Example installation !
Esimerkki asennus !



Example installation !
Esimerkki asennus !