

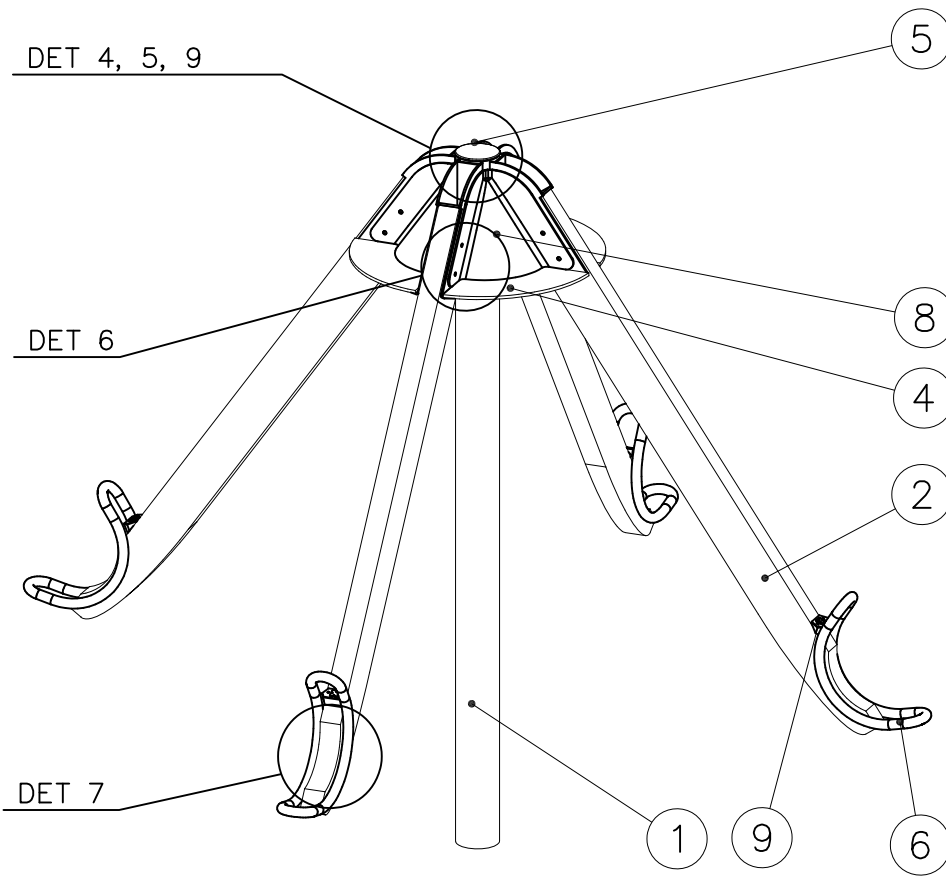
		
<p><b><math>h &lt; 600</math></b></p> <p>Without movement and therefore without Impact Area</p>	<p>Totally hard surfaces.</p> <p>Note. Lappset does <u>not recommend</u> totally hard surfaces at all.</p>	<p>E.g. concrete or asphalt</p> 
<p><b><math>h &lt; 600</math></b></p> <p>With movement e.g. rocking</p>	<p>Materials with very limited impact attenuating properties.</p>	<p>E.g. wood</p> 
<p><b><math>h &lt; 1000</math></b></p>	<p>Materials with significant impact attenuating properties.</p>	<p>fine gravel 0–8 mm</p>  <p>grass</p>  <p>unsorted sand</p> 
<p><b><math>h &lt; 3000</math></b></p>	<p>Loose fill material</p> <p>E.g. sand/gravel 0,25...8 mm D60/D10&lt;3,0 Woodchips 5...30 mm bark 20...80 mm</p>	 <p><math>\underline{S}</math>                      <math>\underline{h}</math></p> <p>30 cm                      &lt; 2,0 m</p> <p>40 cm                      &lt; 3,0 m</p>
	<p>Syntethic granulates</p> <p><math>\underline{S}</math>                      <math>\underline{h}</math></p> <p>40 mm ~&gt; 1,2...1,3 m</p> <p>50 mm ~&gt; 1,5...1,7 m</p> <p>60 mm ~&gt; 1,8...2,0 m</p> <p>70 mm ~&gt; 2,1...2,5 m</p> <p>Note. For accurate values, see manufacturer's instructions.</p>	

REMOVE SAFETY SURFACE/SAND/GRAVEL  
TO CHECK FOUNDATION



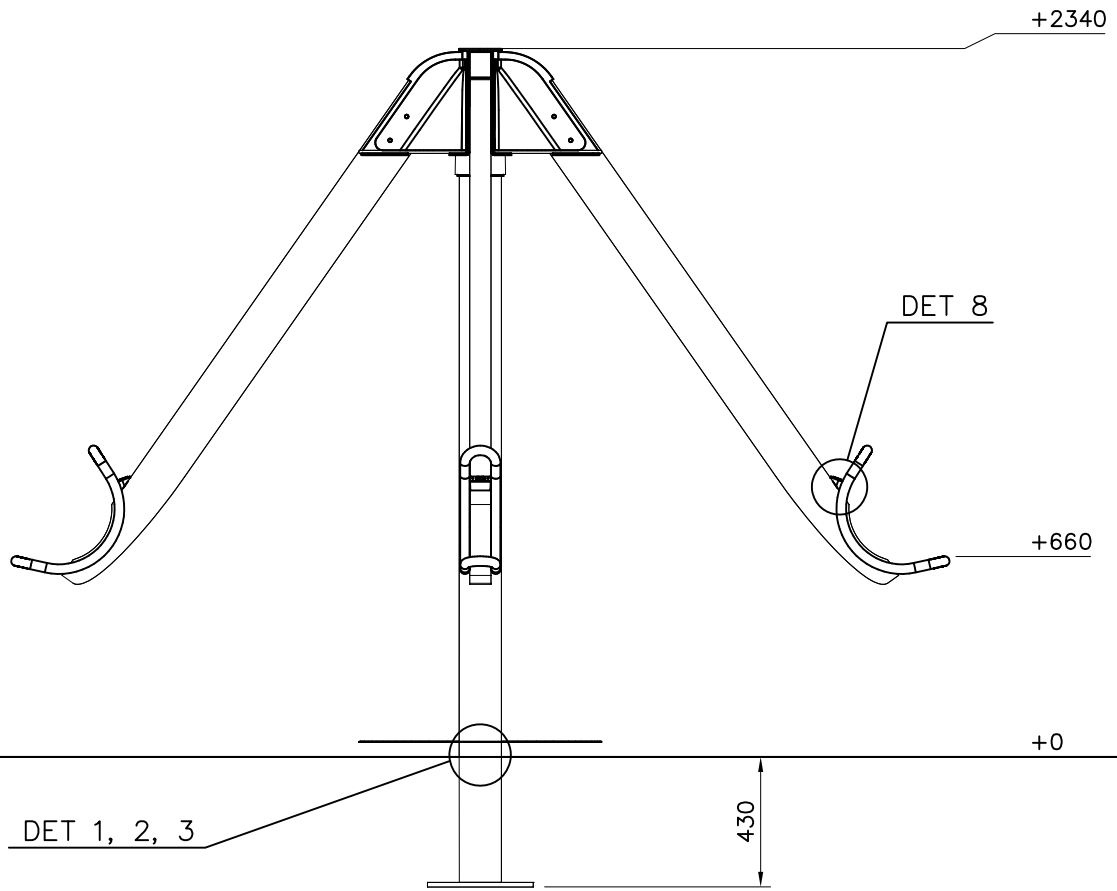
REMOVE SAFETY SURFACE/SAND/GRAVEL  
TO CHECK FOUNDATION





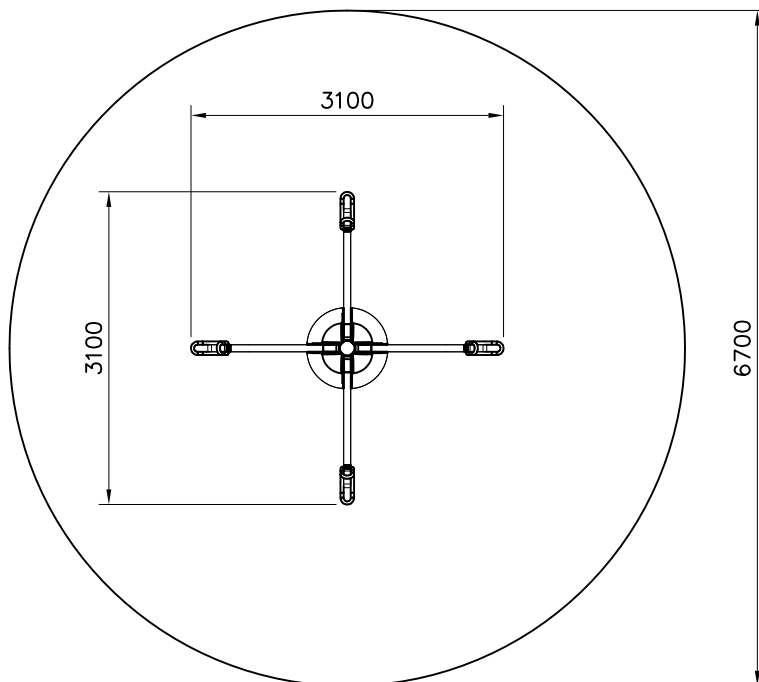
① 907793-216	PCS 1	② 009902	PCS 4
		LIGHT GREY	
③ 009917	PCS 1	④ 009913	PCS 4
⑤ 708428	PCS 1	⑥ 909895	PCS 4
⑦ 909215	PCS 4	⑧ 900684	PCS 4
M16x280			
⑨ 900685	PCS 4	⑩ 909855	PCS 16
		M8x35	
⑪ 909520	PCS 8		
		Ø30/17	
⑫ 909256	PCS 66	⑬ 980150	PCS 24
Ø16/8.4		M8	
⑭ 906503	PCS 8		
		M8x120	
⑮ 980103	PCS 8	⑯ 903158	PCS 8
Ø4x50		M16	
⑰ 909210	PCS 2	⑱ 909851	PCS 16
M8x40		M8x55	
⑲ 905097	PCS 8	⑳ 905083	PCS 34
M16		Ø32	
㉑ 905112	PCS 34	㉒ 702341	PCS 1
Ø22		90x50	

1: 25

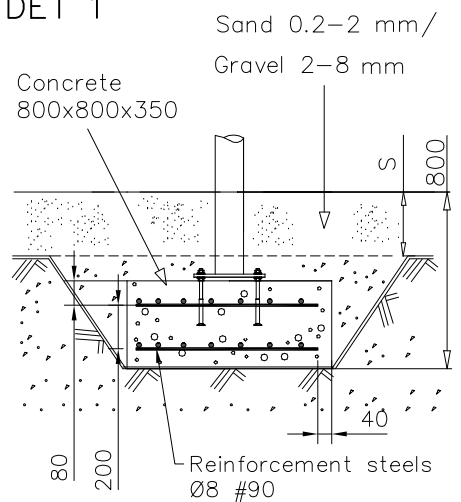


1: 75

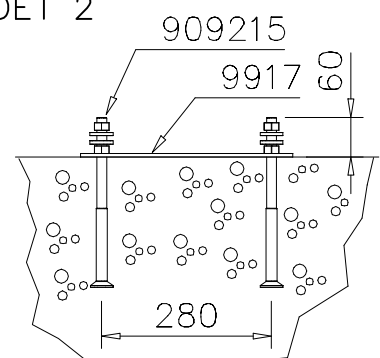
En Impact Area 35.3 m2.  
Max Falling Height 1000 mm.



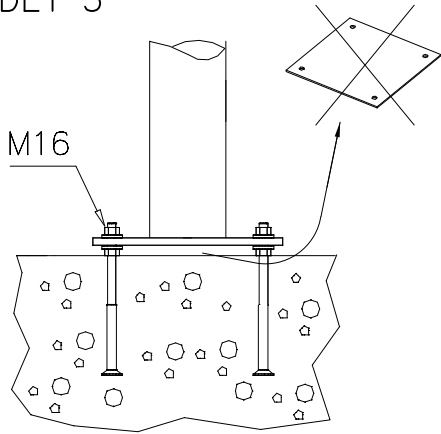
DET 1



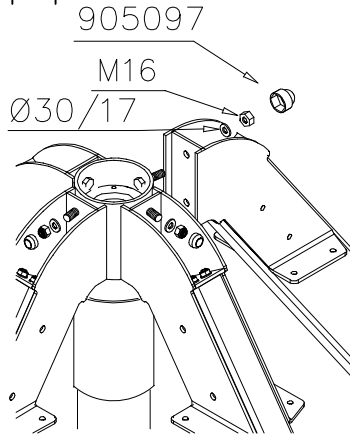
DET 2



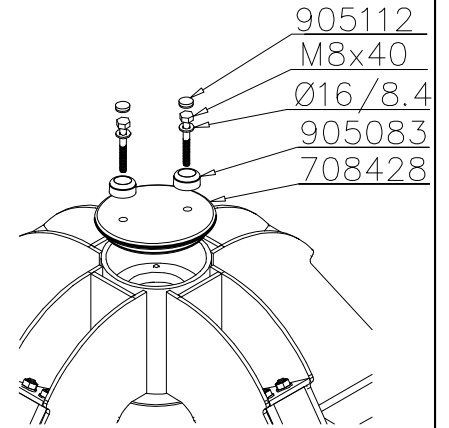
DET 3



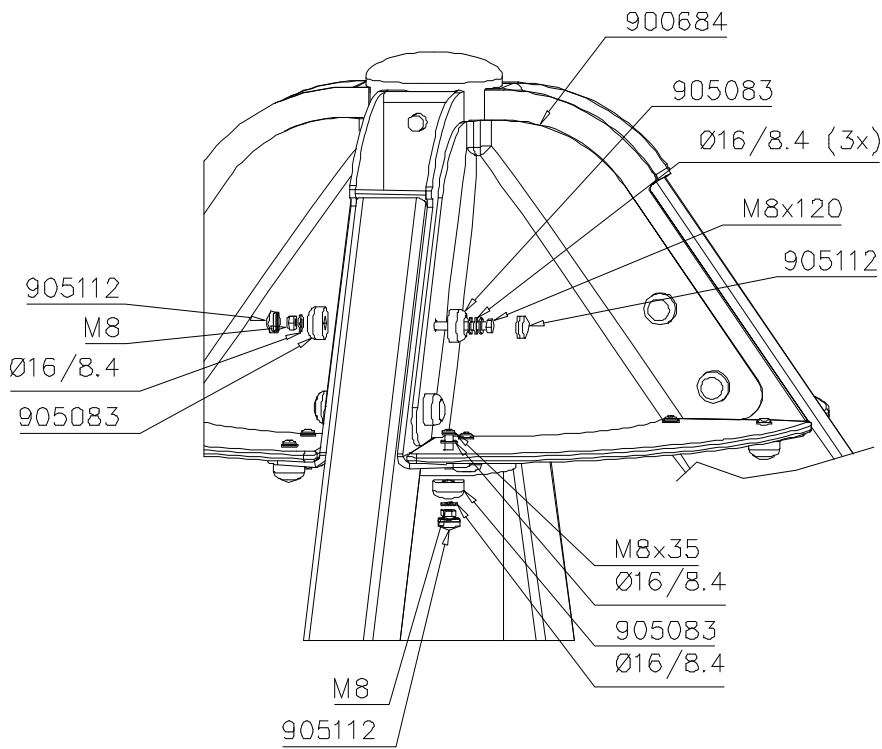
DET 4



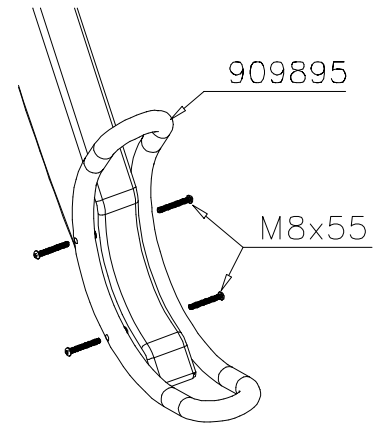
DET 5



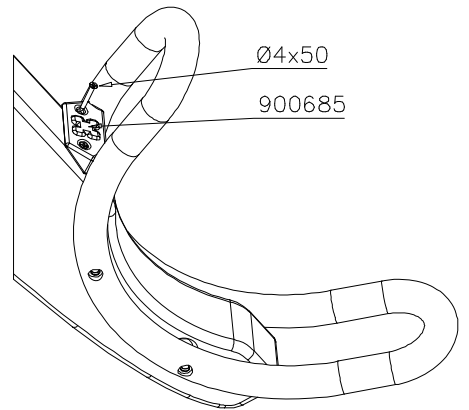
DET 6



DET 7



DET 8



DET 9

WHEN NEEDED MORE BRAKING EFFECT REMOVE PLATES.

