


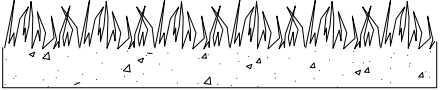
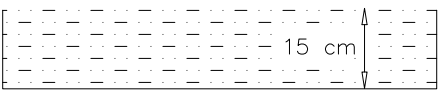
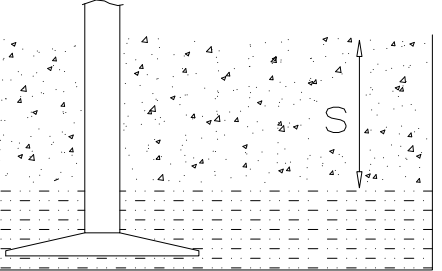
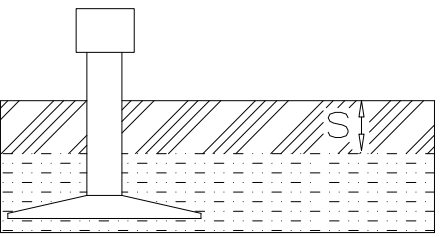
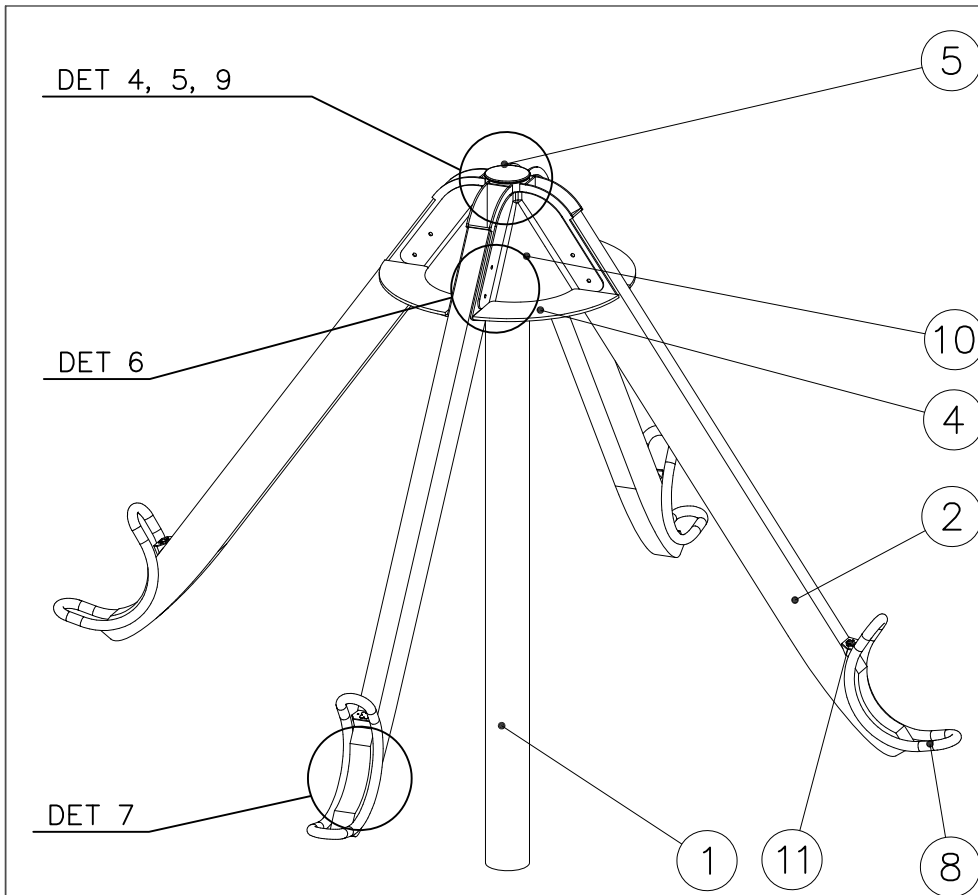
												
<p>$h < 600$</p> <p>Without movement and therefore without Impact Area</p>	<p>Totally hard surfaces.</p> <p>Note. Lappset does <u>not recommend</u> totally hard surfaces at all.</p>	<p>E.g. concrete or asphalt</p> 										
<p>$h < 600$</p> <p>With movement e.g. rocking</p>	<p>Materials with very limited impact attenuating properties.</p>	<p>E.g. wood</p> 										
<p>$h < 1000$</p>	<p>Materials with significant impact attenuating properties.</p>	<p>fine gravel 0–8 mm</p>  <p>grass</p>  <p>unsorted sand</p> 										
<p>$h < 3000$</p>	<p>Loose fill material</p> <p>E.g. sand/gravel 0,25...8 mm D60/D10<3,0 Woodchips 5...30 mm bark 20...80 mm</p>	 <table data-bbox="1024 1691 1332 1792"> <tr> <td>\underline{S}</td> <td>\underline{h}</td> </tr> <tr> <td>30 cm</td> <td>< 2,0 m</td> </tr> <tr> <td>40 cm</td> <td>< 3,0 m</td> </tr> </table>	\underline{S}	\underline{h}	30 cm	< 2,0 m	40 cm	< 3,0 m				
\underline{S}	\underline{h}											
30 cm	< 2,0 m											
40 cm	< 3,0 m											
	<p>Syntethic granulates</p> <table data-bbox="406 1892 758 2060"> <tr> <td>\underline{S}</td> <td>\underline{h}</td> </tr> <tr> <td>40 mm</td> <td>~> 1,2...1,3 m</td> </tr> <tr> <td>50 mm</td> <td>~> 1,5...1,7 m</td> </tr> <tr> <td>60 mm</td> <td>~> 1,8...2,0 m</td> </tr> <tr> <td>70 mm</td> <td>~> 2,1...2,5 m</td> </tr> </table> <p>Note. For accurate values, see manufacturer's instructions.</p>	\underline{S}	\underline{h}	40 mm	~> 1,2...1,3 m	50 mm	~> 1,5...1,7 m	60 mm	~> 1,8...2,0 m	70 mm	~> 2,1...2,5 m	
\underline{S}	\underline{h}											
40 mm	~> 1,2...1,3 m											
50 mm	~> 1,5...1,7 m											
60 mm	~> 1,8...2,0 m											
70 mm	~> 2,1...2,5 m											

REMOVE SAFETY SURFACE/SAND/GRAVEL
TO CHECK FOUNDATION



REMOVE SAFETY SURFACE/SAND/GRAVEL
TO CHECK FOUNDATION

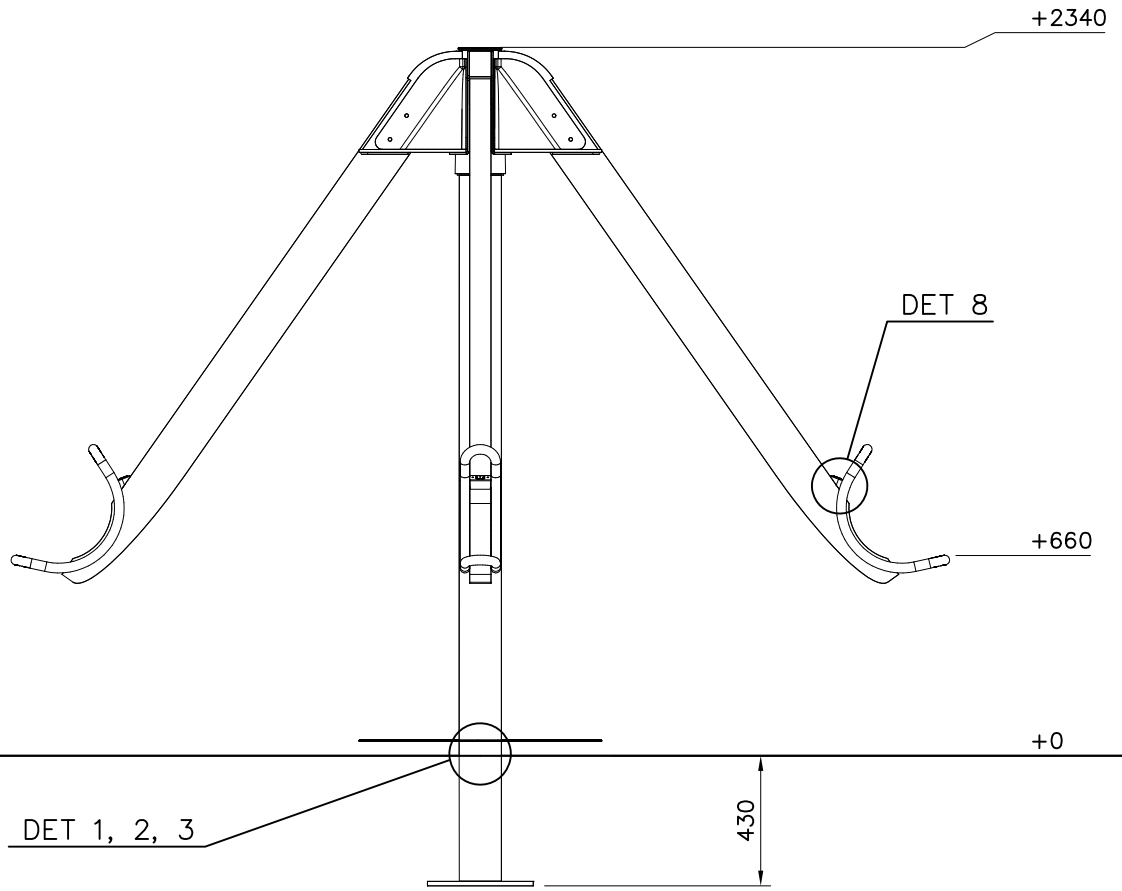




① 907793 -216	PCS 1	② 009902 -603	PCS 4
③ 009917	PCS 1	④ 009913	PCS 4
⑤ 708428	PCS 1		PCS
	PCS	⑧ 909895	PCS 4

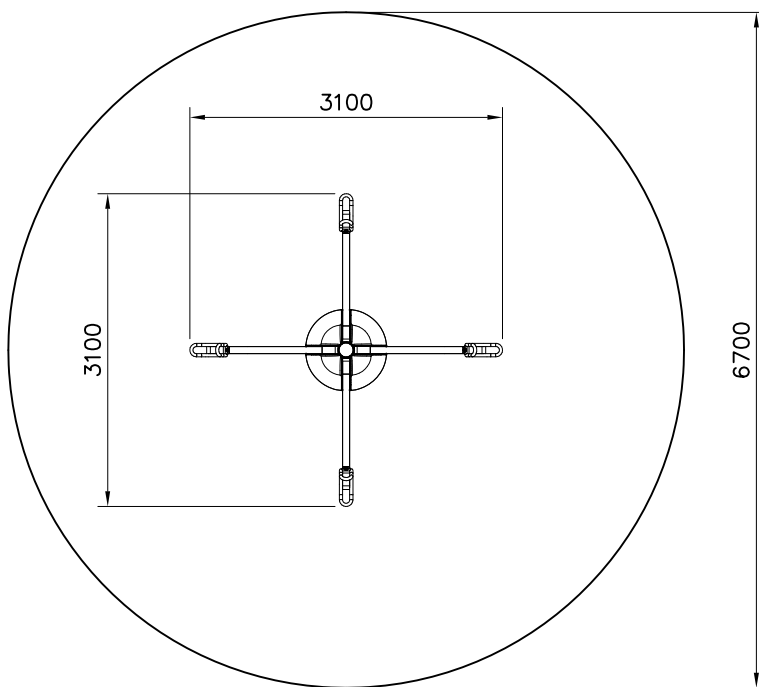
⑨ 909215	PCS 4	⑩ 900684	PCS 4	⑪ 900685	PCS 4	⑫ 909855	PCS 16
M16x280						M8x35	
⑬ 909520	PCS 8	⑭ 909256	PCS 67	⑮ 980150	PCS 24	⑯ 906503	PCS 8
Ø30/17		Ø16/8.4		M8		M8x120	
⑰ 980103	PCS 8	⑱ 903158	PCS 8	⑲ 909266	PCS 2	⑳ 909851	PCS 16
Ø4x50		M16		M8x50		M8x55	
㉑ 905097	PCS 8	㉒ 905083	PCS 32	㉔ 905112	PCS 32	㉕ 702341	PCS 1
M16		Ø32		Ø22		90x50	

1: 25

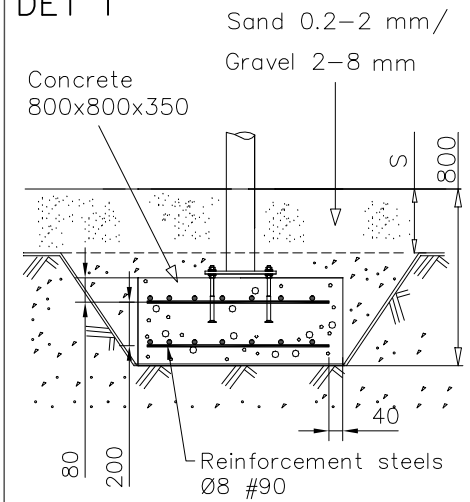


1: 75

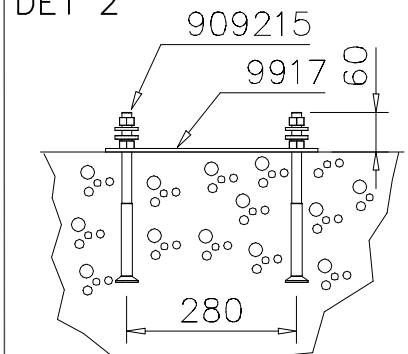
En Impact Area 35.3 m2.
Max falling height 1000 mm.



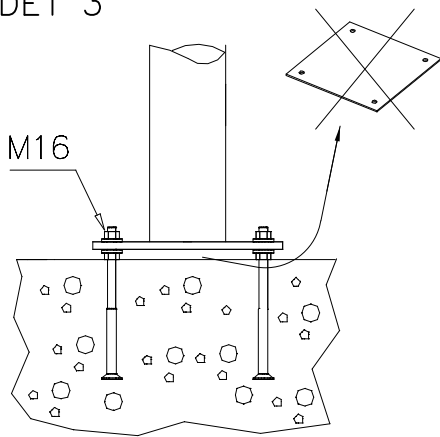
DET 1



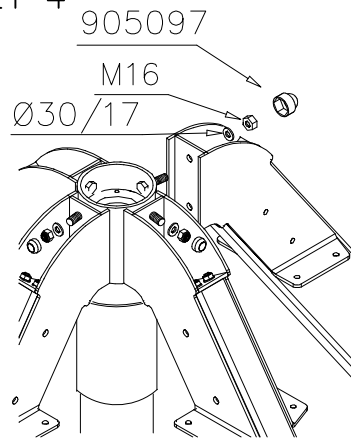
DET 2



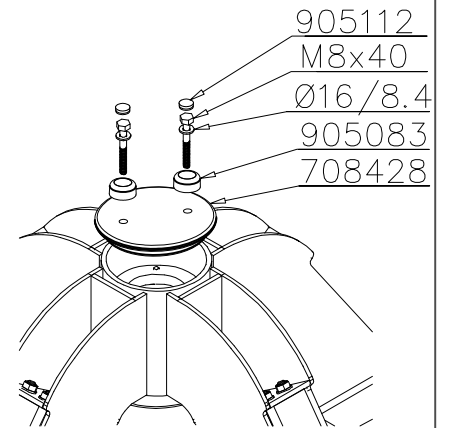
DET 3



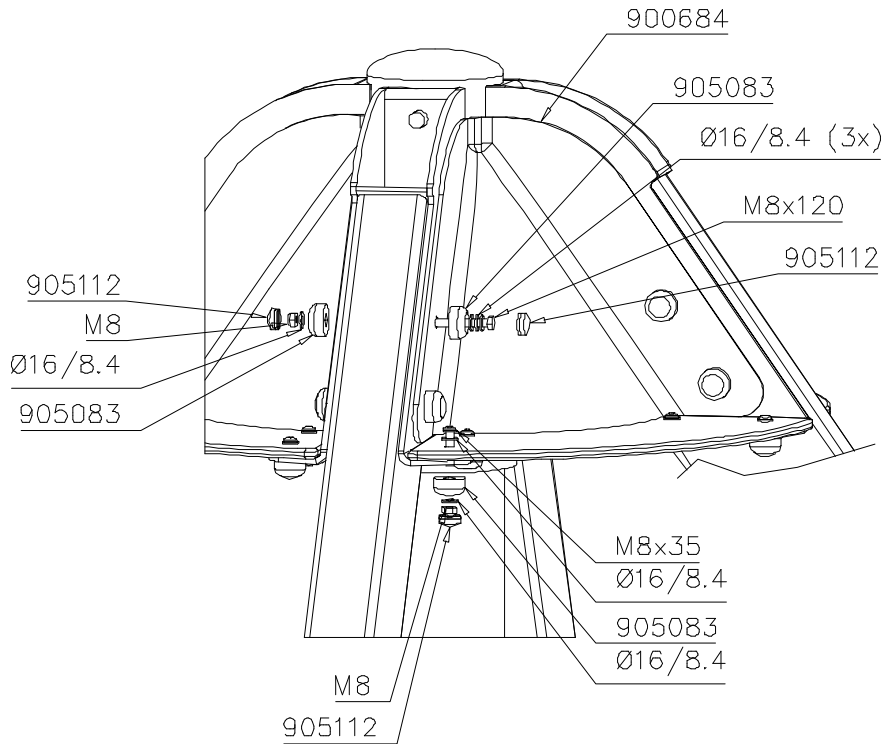
DET 4



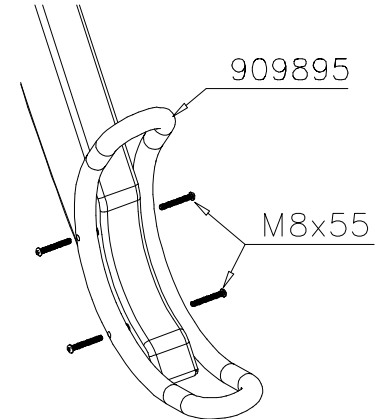
DET 5



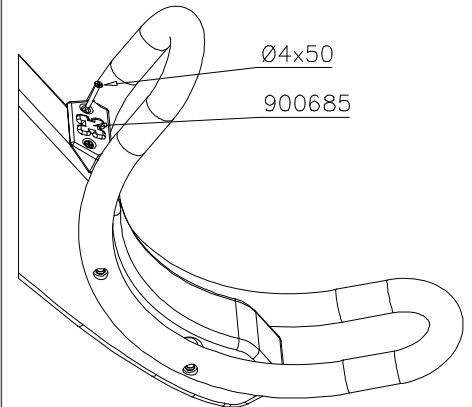
DET 6



DET 7



DET 8



DET 9

WHEN NEEDED MORE
BRAKING EFFECT
REMOVE PLATES.

