

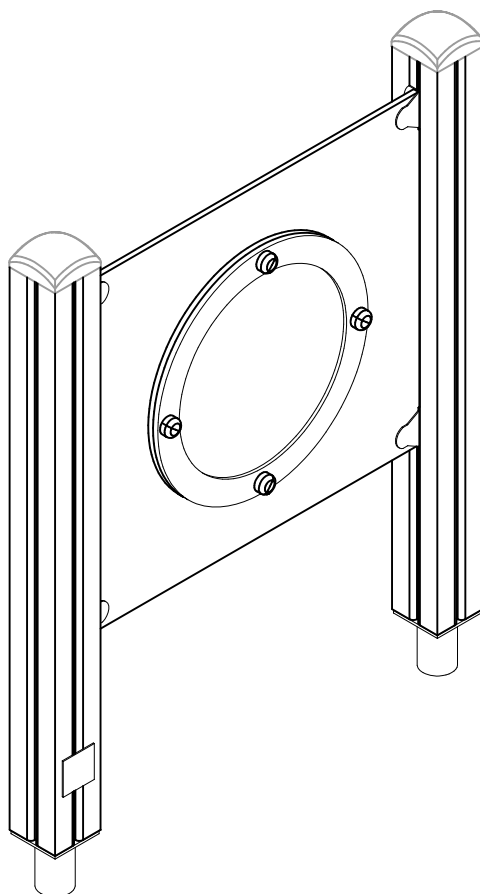
# **LAPPSET®**

## **FINNO**

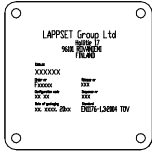

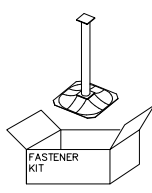
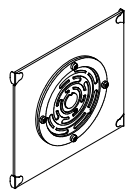
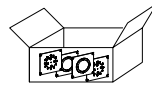
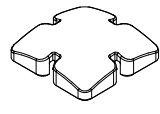
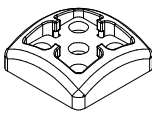

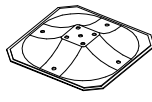
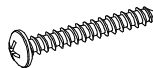
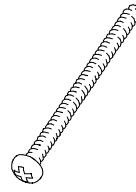
ASENNUSOHJE  
MONTERINGSANSVISNING  
INSTALLATION INSTRUCTION  
AUFBAUANLEITUNG  
NOTICE D'INSTALLATION

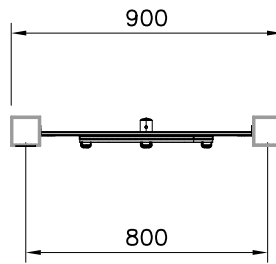
DATE: 21.10.2021

### **Q10425-9**



DATE: 21.10.2021

|   |     |   |     |   |     |   |     |   |     |   |     |
|---|-----|---|-----|---|-----|---|-----|---|-----|---|-----|
| 702286  | PCS | 706466-602  | PCS | 706531  | PCS | 706766-706  | PCS | 706778  | PCS | 905138  | PCS |
|  | 1   |  | 2   |  | 2   |  | 1   |  | 1   |  | 2   |
| 65x65   |     | 93x93x1025  |     |   |     |   |     |   |     | GRAY  |     |
| 905196  | PCS | 909511  | PCS | 909519  | PCS | 980114  | PCS | 980131  | PCS |   | PCS |
|  | 2   |  | 2   |  | 2   |  | 4   |  | 8   |   |     |
| GRAY  |     | 90x90x650   |     | 50x380x380  |     | Ø4x20   |     | Ø6x60   |     |   |     |
|   | PCS |   | PCS |   | PCS |   | PCS |   | PCS |   | PCS |
|   |     |   |     |   |     |   |     |   |     |   |     |
|   | PCS |   | PCS |   | PCS |   | PCS |   | PCS |   | PCS |
|   |     |   |     |   |     |   |     |   |     |   |     |
|   | PCS |   | PCS |   | PCS |   | PCS |   | PCS |   | PCS |
|   |     |   |     |   |     |   |     |   |     |   |     |
|   | PCS |   | PCS |   | PCS |   | PCS |   | PCS |   | PCS |
|   |     |   |     |   |     |   |     |   |     |   |     |

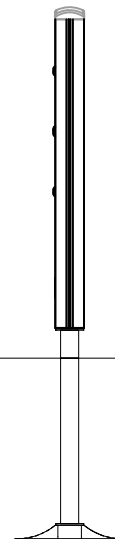
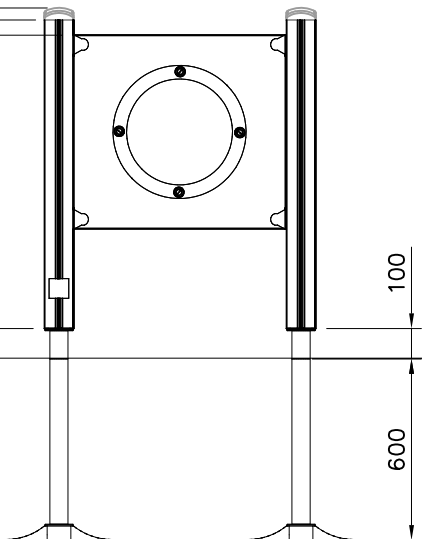


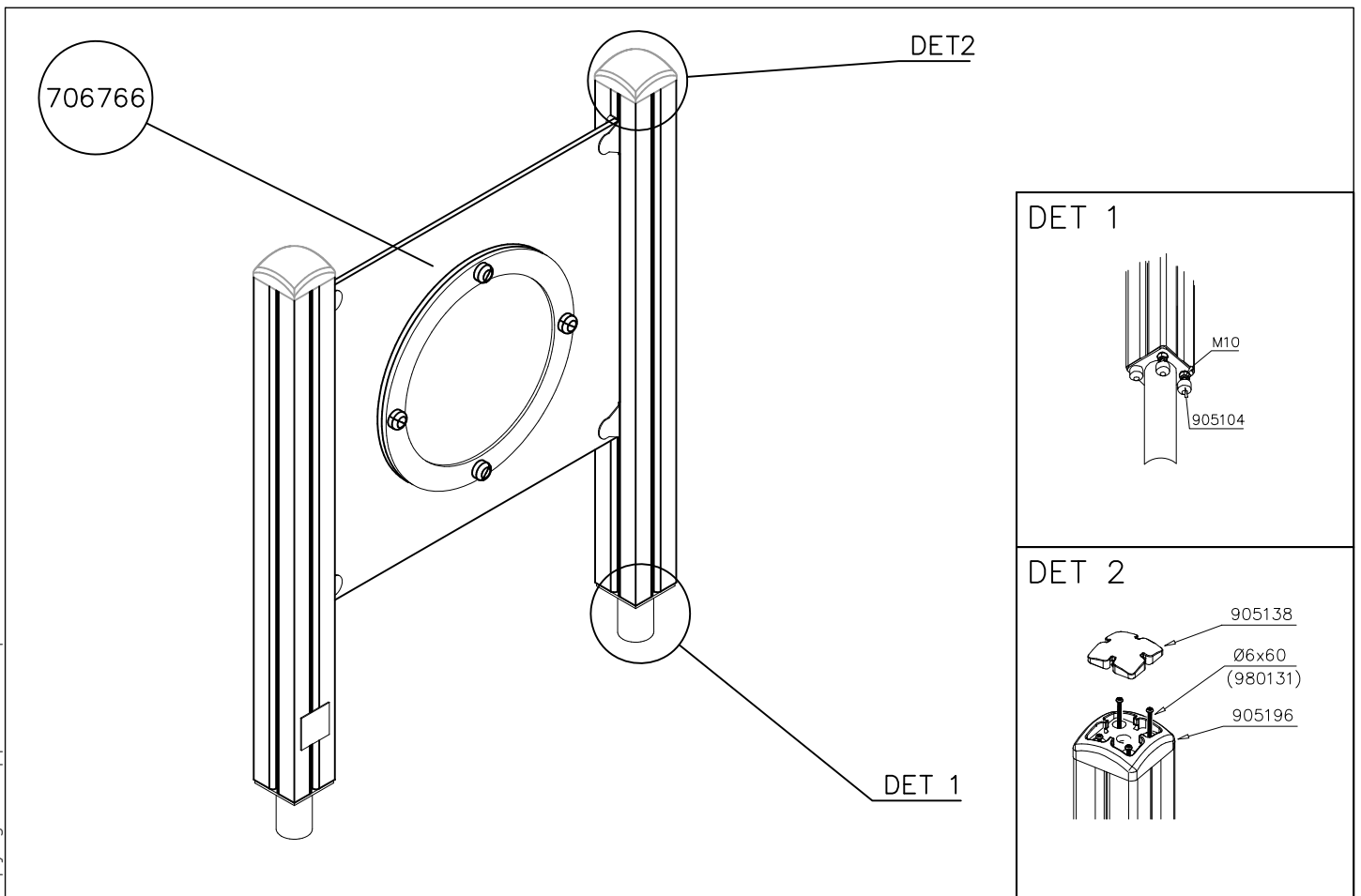
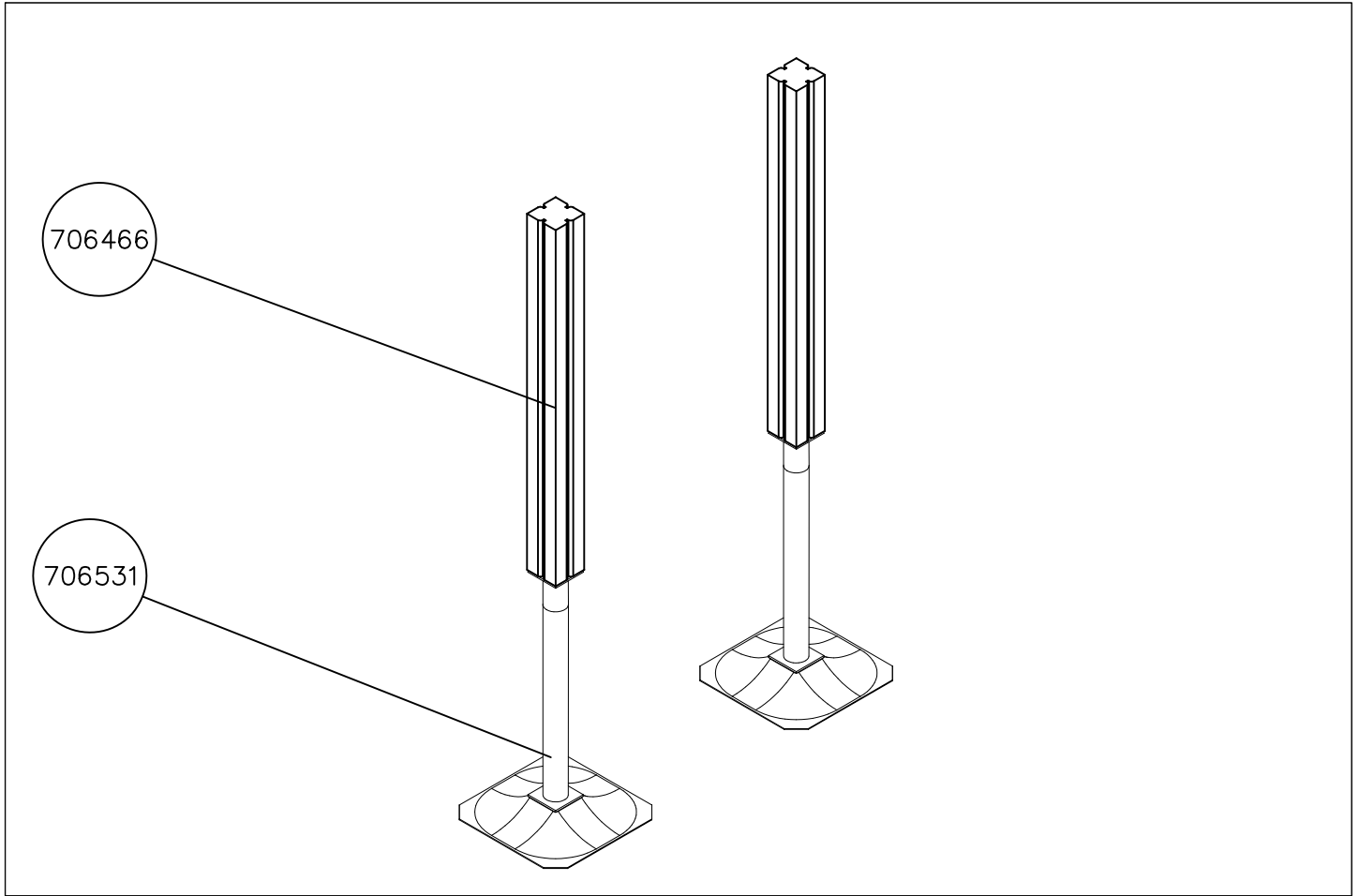
+1060  
+1020  
+970

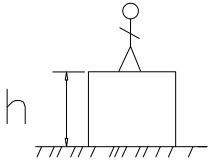



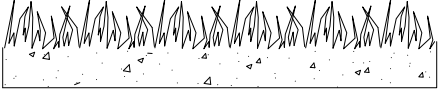
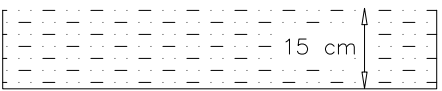
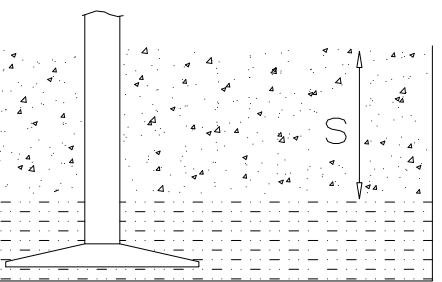
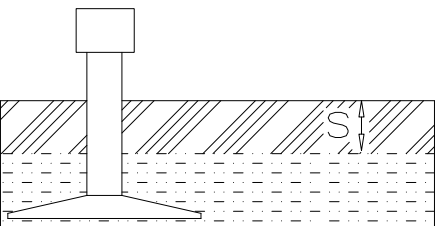
+0

100

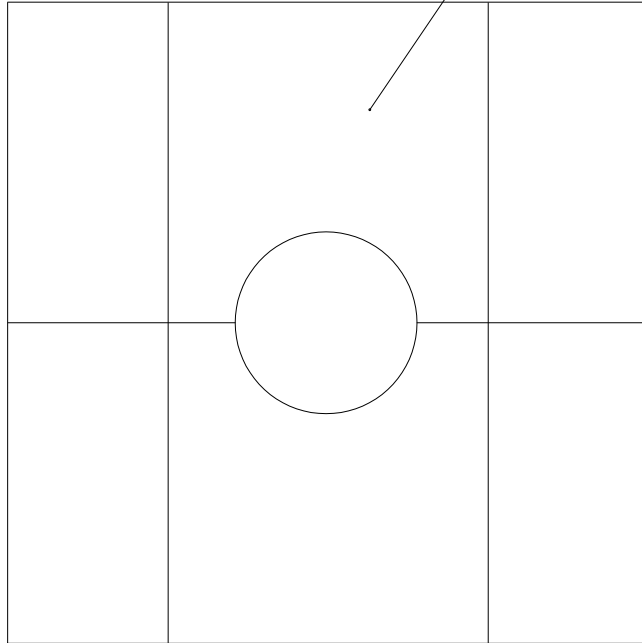
600



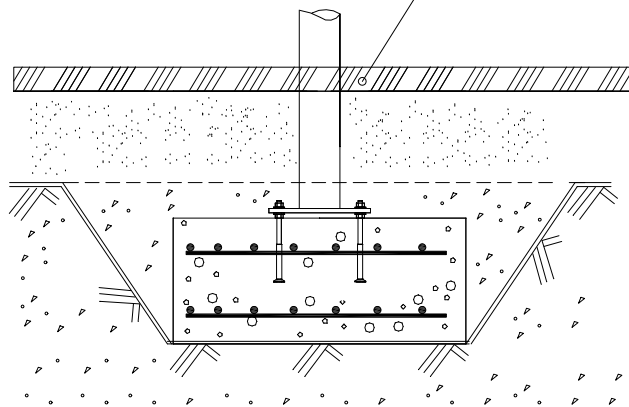


|   |  |   |                 |                 |                |         |                |         |                |       |                |   |
|---|--|---|-----------------|-----------------|----------------|---------|----------------|---------|----------------|-------|----------------|---|
|                 |  |   |                 |                 |                |         |                |         |                |       |                |   |
| <p><b><math>h &lt; 600</math></b></p> <p>Without movement and therefore without Impact Area</p> | <p>Totally hard surfaces.</p> <p>Note. Lappset does <u>not recommend</u> totally hard surfaces at all.</p>   | <p>E.g. concrete or asphalt</p>    |                 |                 |                |         |                |         |                |       |                |   |
| <p><b><math>h &lt; 600</math></b></p> <p>With movement e.g. rocking</p>                         | <p>Materials with very limited impact attenuating properties.</p>  | <p>E.g. wood</p>   |                 |                 |                |         |                |         |                |       |                |   |
| <p><b><math>h &lt; 1000</math></b></p>  | <p>Materials with significant impact attenuating properties.</p>   | <p>fine gravel 0–8 mm</p>  <p>grass</p>  <p>unsorted sand</p>  |                 |                 |                |         |                |         |                |       |                |   |
| <p><b><math>h &lt; 3000</math></b></p>  | <p>Loose fill material</p> <p>E.g.<br/>sand/gravel 0,25...8 mm D60/D10&lt;3,0<br/>Woodchips 5...30 mm<br/>bark 20...80 mm</p>  |  <table data-bbox="1021 1691 1332 1792"> <tr> <td><math>\underline{S}</math></td> <td><math>\underline{h}</math></td> </tr> <tr> <td>30 cm</td> <td>&lt; 2,0 m</td> </tr> <tr> <td>40 cm</td> <td>&lt; 3,0 m</td> </tr> </table>       | $\underline{S}$ | $\underline{h}$ | 30 cm          | < 2,0 m | 40 cm          | < 3,0 m |                |       |                |   |
| $\underline{S}$   | $\underline{h}$  |   |                 |                 |                |         |                |         |                |       |                |   |
| 30 cm   | < 2,0 m  |   |                 |                 |                |         |                |         |                |       |                |   |
| 40 cm   | < 3,0 m  |   |                 |                 |                |         |                |         |                |       |                |   |
|   | <p>Syntethic granulates</p> <table data-bbox="406 1892 758 2060"> <tr> <td><math>\underline{S}</math></td> <td><math>\underline{h}</math></td> </tr> <tr> <td>40 mm</td> <td>~&gt; 1,2...1,3 m</td> </tr> <tr> <td>50 mm</td> <td>~&gt; 1,5...1,7 m</td> </tr> <tr> <td>60 mm</td> <td>~&gt; 1,8...2,0 m</td> </tr> <tr> <td>70 mm</td> <td>~&gt; 2,1...2,5 m</td> </tr> </table> <p>Note. For accurate values, see manufacturer's instructions.</p> | $\underline{S}$   | $\underline{h}$ | 40 mm           | ~> 1,2...1,3 m | 50 mm   | ~> 1,5...1,7 m | 60 mm   | ~> 1,8...2,0 m | 70 mm | ~> 2,1...2,5 m |  |
| $\underline{S}$   | $\underline{h}$  |   |                 |                 |                |         |                |         |                |       |                |   |
| 40 mm   | ~> 1,2...1,3 m   |   |                 |                 |                |         |                |         |                |       |                |   |
| 50 mm   | ~> 1,5...1,7 m   |   |                 |                 |                |         |                |         |                |       |                |   |
| 60 mm   | ~> 1,8...2,0 m   |   |                 |                 |                |         |                |         |                |       |                |   |
| 70 mm   | ~> 2,1...2,5 m   |   |                 |                 |                |         |                |         |                |       |                |   |

REMOVE SAFETY SURFACE/SAND/GRAVEL  
TO CHECK FOUNDATION



REMOVE SAFETY SURFACE/SAND/GRAVEL  
TO CHECK FOUNDATION



**Tuotekyltti tulee tuotteen mukana yhdellä seuraavista tavoista:****1) Metallinen tuotekyltti ja kiinnitysruuvit**

- Kiinnitä tuotekyltti ruuveilla tolppaan noin 2 metrin korkeuteen kuvan 1 mukaisesti.

**2) Tuotekylttitarra**

- Puhdista maalattu metalli- tai vaneripinta pölystä ja kosteudesta. Liimaa tarra kuvan 2 mukaisesti.
- Huom. Älä kiinnitä tarraa karheapintaiseen laminaattiin tai maalattuun puuhun.

**Vår produktmärkning levereras på ett av följande sätt:****1) Produktskylt i metall**

- Fäst skylten med de medföljande skruvarna

**2) Självhäftande produktetikett**

- Rengör den pulverlackerade metallytan eller laminatyten så att den blir fri från smuts och fukt. Fäst etiketten enligt fig. 2.
- Obs! Fäst ej etiketten på detaljer med skrovlig yta eller på målat trä.

**Product label is delivered by one of following ways:****1) Metal product label and screws**

- Fasten the label with screws.

**2) Label sticker**

- Clean the painted metal or plywood surface from dirt and moisture. Fasten the sticker as shown in the figure 2.
- Note. Do not attach the sticker to rough surfaced laminate or painted wood.

**La plaque d'informations produit est livrée sous l'une de ces 3 formes :****1) Plaque métallique et vis**

- Fixez la plaque à l'aide des vis.

**2) Etiquette autocollante**

- Avant de coller l'étiquette, nettoyez le composant métallique peint ou la plaque de contreplaqué, de toute saleté. La surface doit être sèche (voir image 2).
- Attention, ne pas coller l'étiquette sur une surface lamellé-collée irrégulière ou sur du bois peint.

**Die Auslieferung des Produktaufklebers erfolgt auf eine dieser Arten:****1) Produkt-Schild aus Metall incl. Schrauben**

- Die Befestigung des Schildes erfolgt mittels der Schrauben.

**2) Aufkleber**

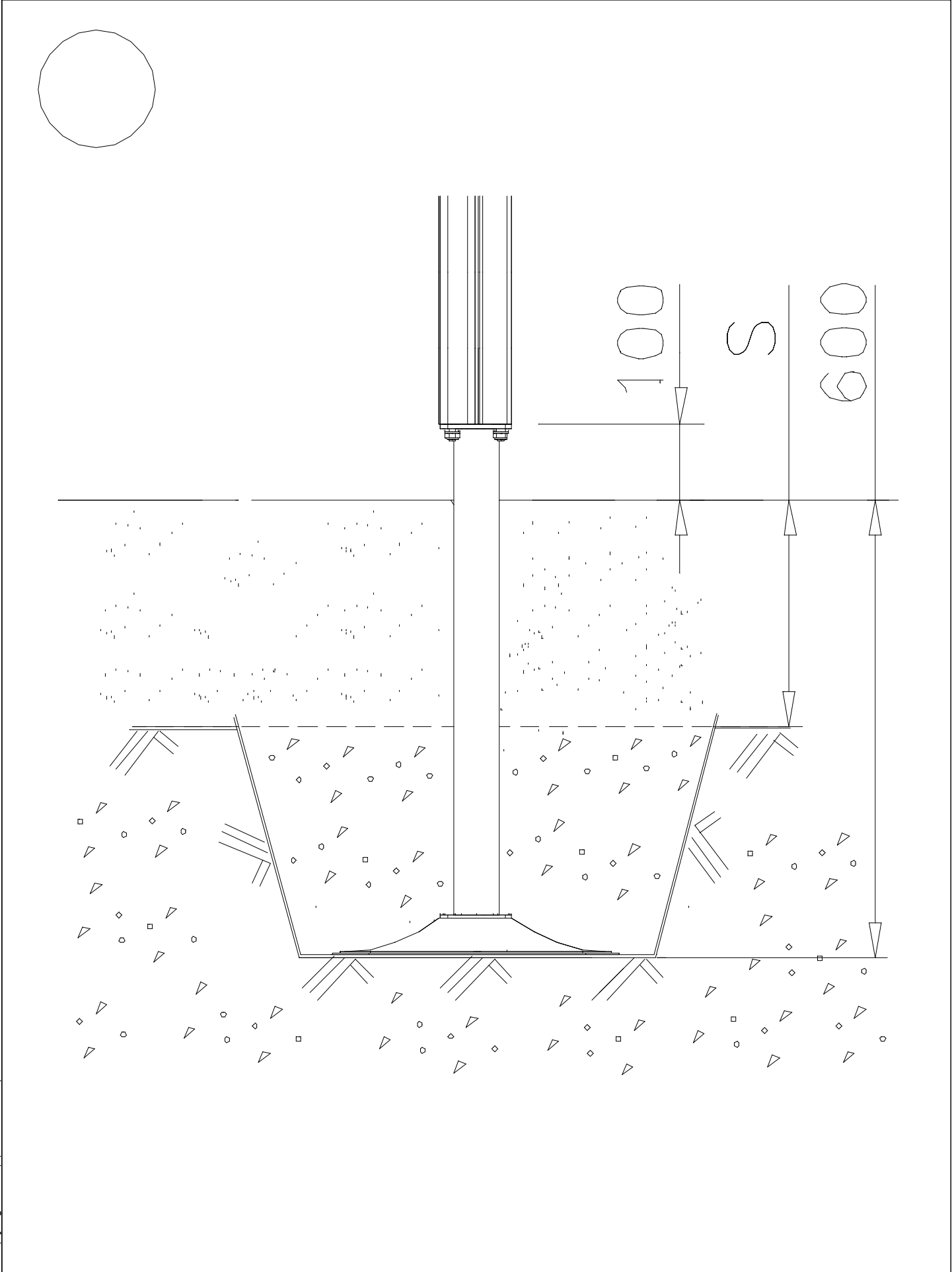
- Entfernen Sie zunächst Schmutz und Feuchtigkeit vom lackierten Metall bzw. von der Holzoberfläche und bringen Sie den Aufkleber wie im Bild oben rechts beschrieben auf den gesäuberten Untergrund auf.
- Beachten Sie: Bringen Sie den Aufkleber nicht auf raues laminiertes oder lackiertes Holz an.

**LAPPSET®**  
**DEEP FOUNDATION**

**FOOT**

DATE: 13.3.2014

**4A**



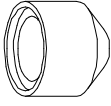


# LAPPSET® BETON FOUNDATION

# FOOT

DATE: 27.10.2015

1(1)

|   |     |  |     |
|---|-----|--|-----|
| ② 905104  | PCS |  | PCS |
|   | 4   |  |     |
|  |     |  |     |
| M10   |     |  |     |
|   | PCS |  | PCS |
|   |     |  |     |
|   |     |  |     |



905104


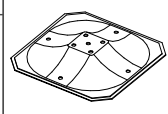
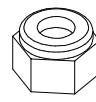
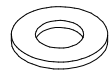
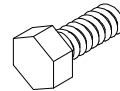
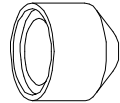
# LAPPSET® DEEP FOUNDATION

# FOOT

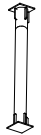
DATE: 15.5.2018

1(1)



|   |   |     |   |   |     |
|---|---|-----|---|---|-----|
| ① | 909511  | PCS | ② | 909519  | PCS |
|   |  | 1   |   |  | 1   |
|   | 90x90x650   |     |   | 50x380x380  |     |
| ③ | 909637  | PCS | ④ | 909638  | PCS |
|   |  | 4   |   |  | 8   |
|   | M10   |     |   | Ø20/10.5  |     |
| ⑤ | 909639  | PCS | ⑥ | 905104  | PCS |
|   |  | 4   |   |  | 4   |
|   | M10x25  |     |   | M10   |     |

OPTION FOOT

|   |   |     |  |     |
|---|---|-----|--|-----|
| ① | 911155  | PCS |  | PCS |
|   |  | 1   |  |     |
|   | 90x90x650   |     |  |     |

DET 1,2

|             |     |          |     |
|-------------|-----|----------|-----|
| ① 903176    | PCS | ② 909850 | PCS |
|             | 4   |          | 4   |
|             |     | M8x25    |     |
| ③ 909256    | PCS | ④ 909633 | PCS |
|             | 8   |          | 4   |
| Ø16/8.4x1.6 |     | M8       |     |
| ⑤ 980123    | PCS |          | PCS |
|             | 4   |          |     |
| Ø7x60       |     |          |     |

\*Note:  
No gaps between:  
8–25mm  
89–230mm

800

80

\*Note

800

80

\*Note

| COLOR OPTIONS |            |
|---------------|------------|
| -701          | BLUE       |
| -702          | YELLOW     |
| -703          | LIME       |
| -704          | DARK GRAY  |
| -705          | LIGHT GRAY |
| -706          | RED        |
| -707          | GREEN      |
| -708          | FUXIA      |

GAME WALL OPTIONS

|   |   |  |  |
|---|---|--|--|
| 706766  | 706772  | 706308   | 707453   |
|    |    |    |   |
| 640x702   | 640x702   | 640x702  | 640x702  |
| 707209  | 705705  | 707433   | 707386   |
|   |   |   |  |
| 640x702   | 640x702   | 640x702  | 640x702  |
| 709403  | 709358  | 709405   |  |
|  |  |  |  |
| 640x702   | 640x702   | 420x702  |  |

DET 1



DET 2

