



**LAPPSET®**  
**BETON FOUNDATION**

**FOOT**

DATE: 27.10.2015

**1(1)**

|  |     |  |     |
|--|-----|--|-----|
| ② 905104   | PCS |  | PCS |
|  | 4   |  |     |
| <br>M10 | PCS |  | PCS |
|  |     |  |     |



905104


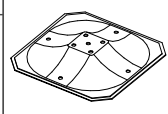
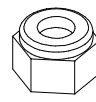
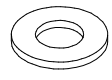
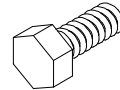
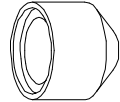

# LAPPSET® DEEP FOUNDATION

# FOOT

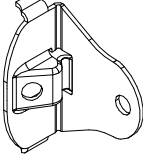
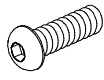
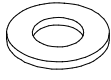
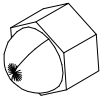

DATE: 15.5.2018

1(1)



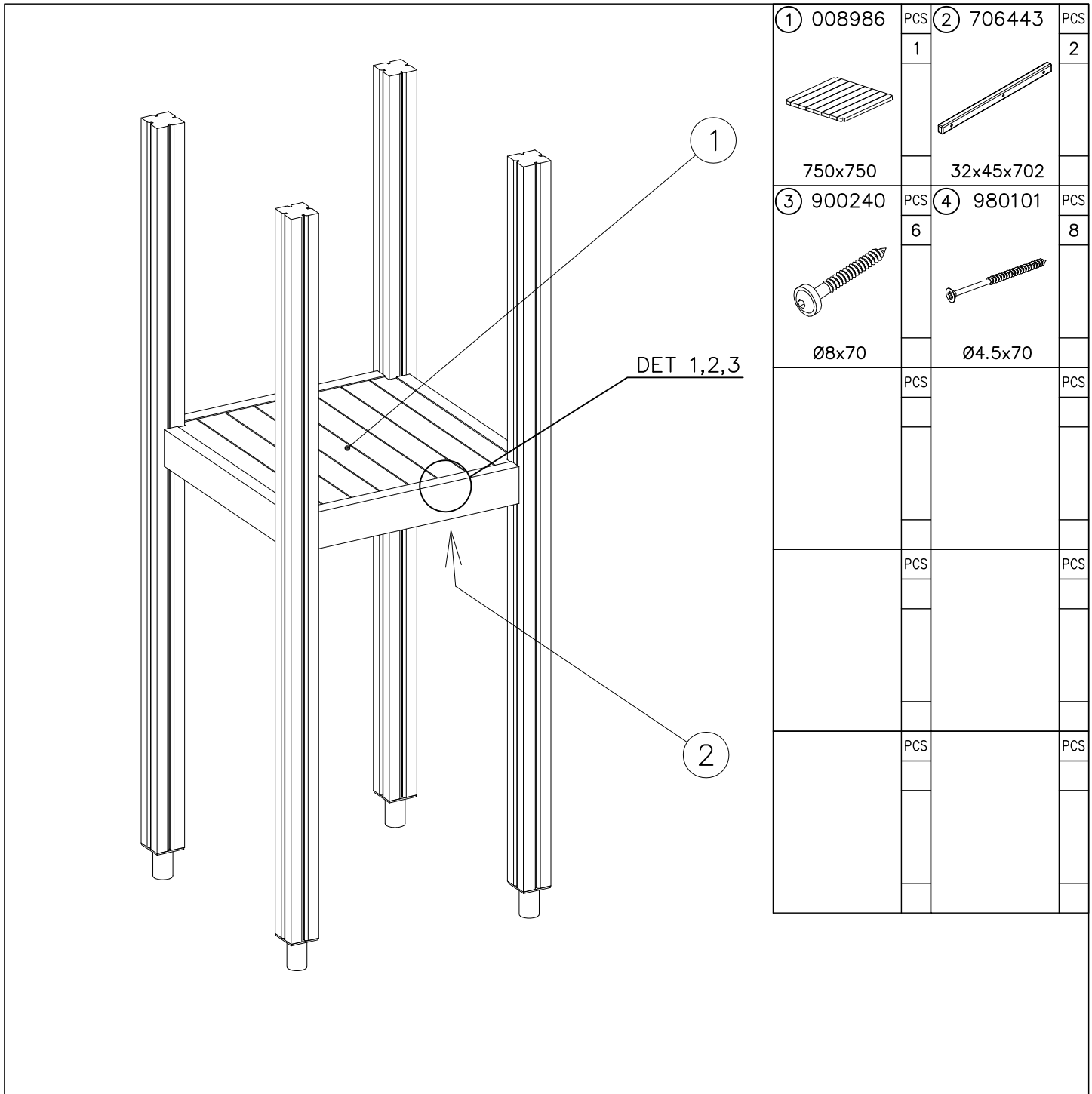
|             |   |     |   |   |     |
|-------------|---|-----|---|---|-----|
| ①           | 909511  | PCS | ② | 909519  | PCS |
|             |    | 1   |   |  | 1   |
|             | 90x90x650   |     |   | 50x380x380  |     |
| ③           | 909637  | PCS | ④ | 909638  | PCS |
|             |    | 4   |   |  | 8   |
|             | M10   |     |   | Ø20/10.5  |     |
| ⑤           | 909639  | PCS | ⑥ | 905104  | PCS |
|             |    | 4   |   |  | 4   |
|             | M10x25  |     |   | M10   |     |
| OPTION FOOT |   |     |   |   |     |
| ①           | 911155  | PCS |   |   | PCS |
|             |  | 1   |   |   |     |
|             | 90x90x650   |     |   |   |     |



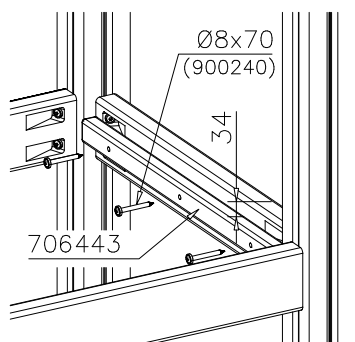
|   |     |   |     |
|---|-----|---|-----|
| ① 903176  | PCS | ② 909850  | PCS |
|  | 4   |  | 4   |
|   |     | M8x25   |     |
| ③ 909256  | PCS | ④ 909633  | PCS |
|  | 8   |  | 4   |
| Ø16/8.4x1.6   |     | M8  |     |
| ⑤ 980123  | PCS |   | PCS |
|  | 4   |   |     |
| Ø7x60   |     |   |     |
|   | PCS |   | PCS |





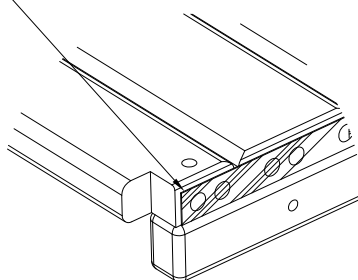


DET 1

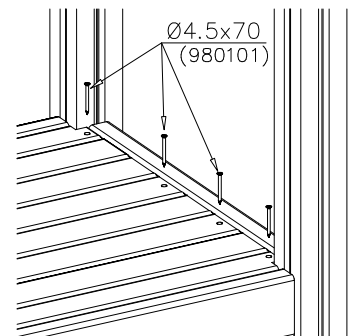


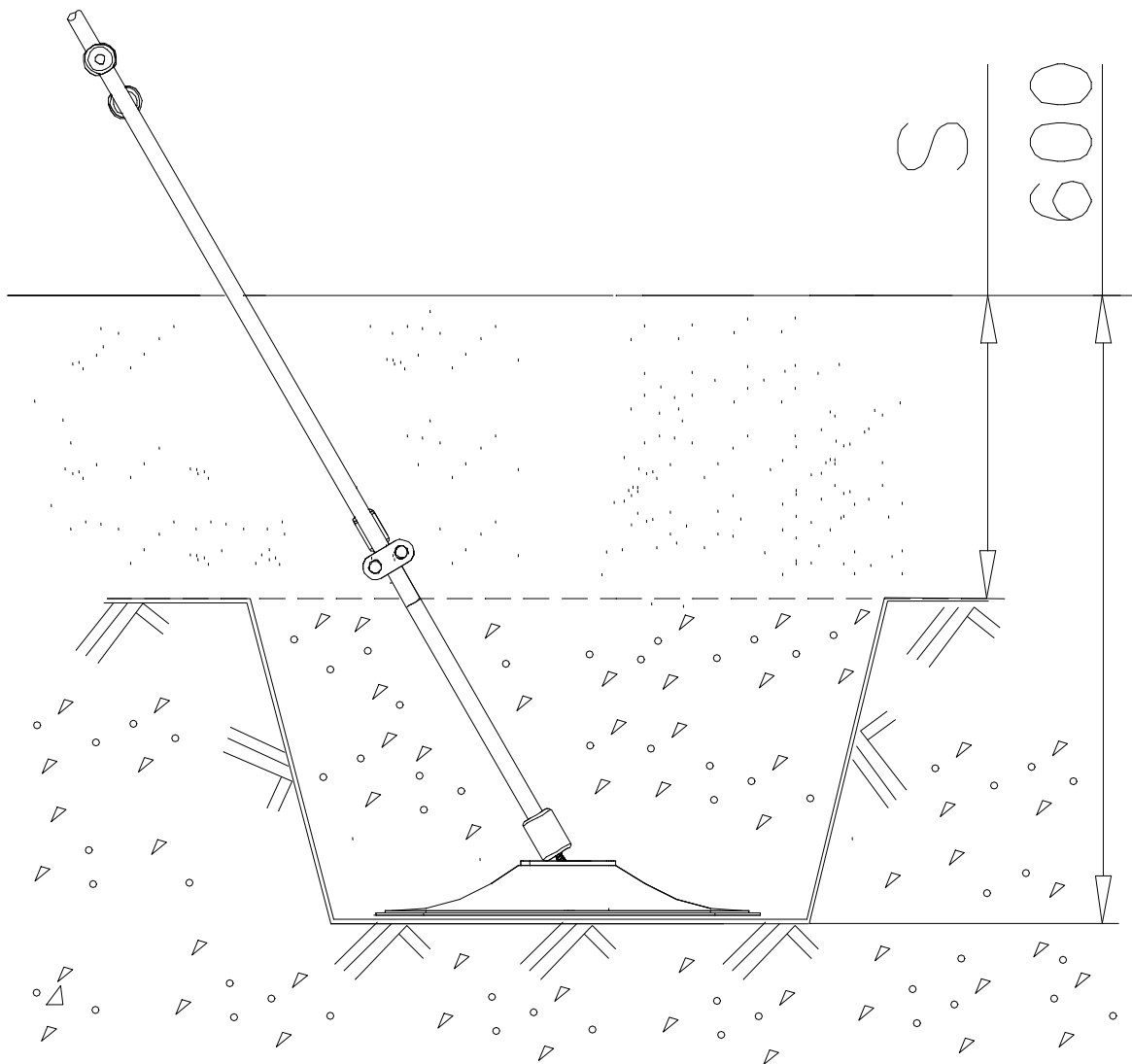
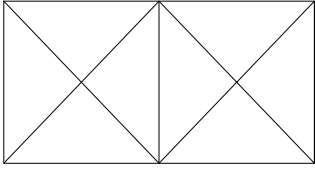
DET 2

Naulanauha kannatinlistan puolelle.  
Nail list to the bottom.



DET 3



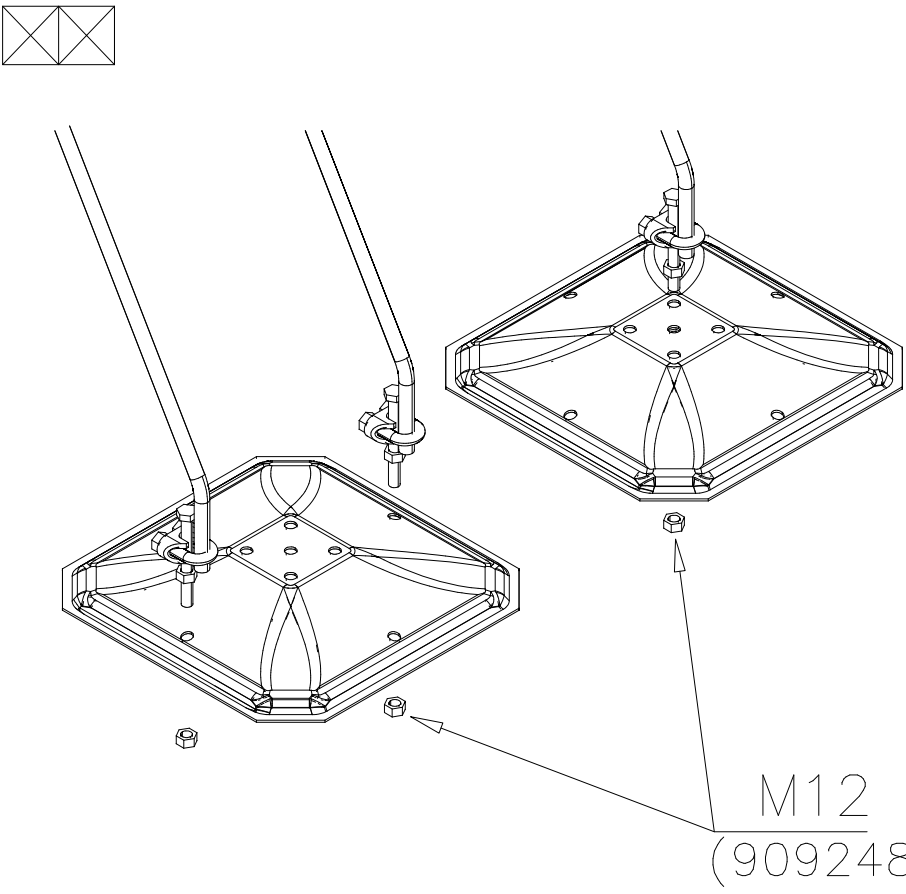


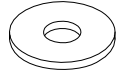
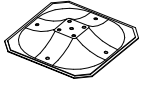
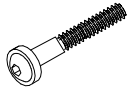


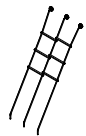
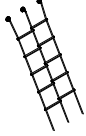
# LAPPSET® DEEP FOUNDATION

# ROPE LADDER

DATE: 30.6.2016

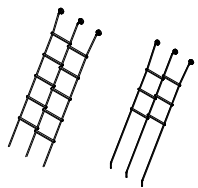
1(1)



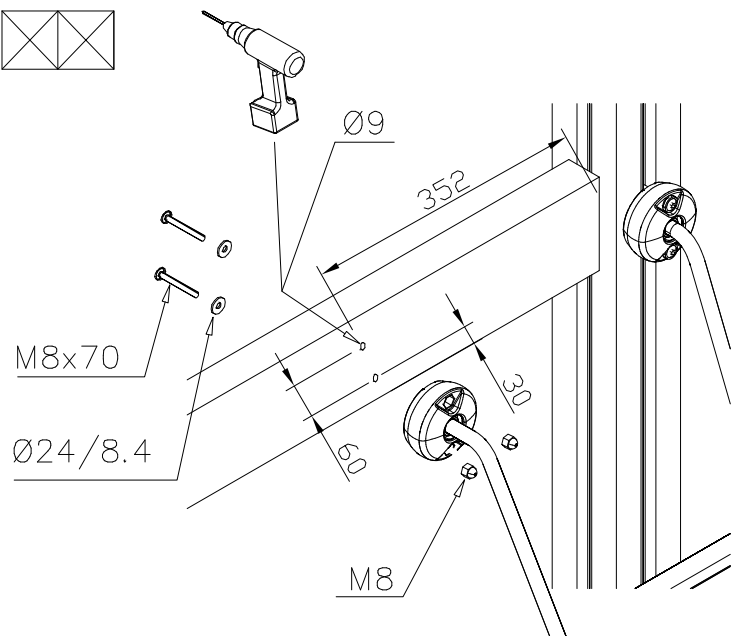
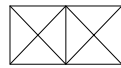
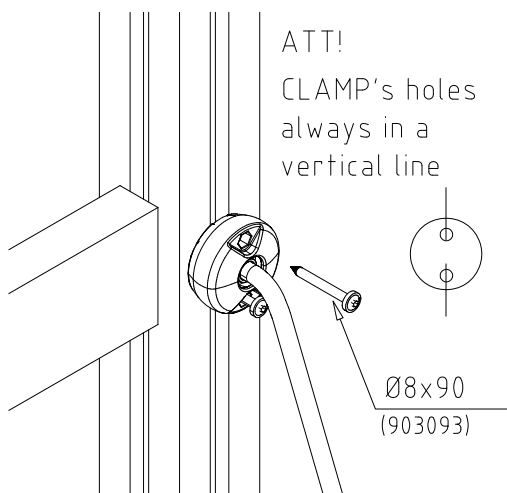
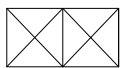
|   |     |   |     |
|---|-----|---|-----|
| ① 905051  | PCS | ② 909519  | PCS |
|    | 2   |    | 2   |
| Ø24/8.4   |     | 50x380x380  |     |
| ③ 909867  | PCS | ④ 909633  | PCS |
|    | 2   |    | 2   |
| M8x70   |     | M8  |     |
| ⑤ 903093  | PCS |   | PCS |
|    | 4   |   |     |
| Ø8x90   |     |   |     |
| ○ 706462  | PCS | ○ 707393  | PCS |
|  | 1   |  | 1   |
| +1470   |     | +1970   |     |

M12  
(909248)

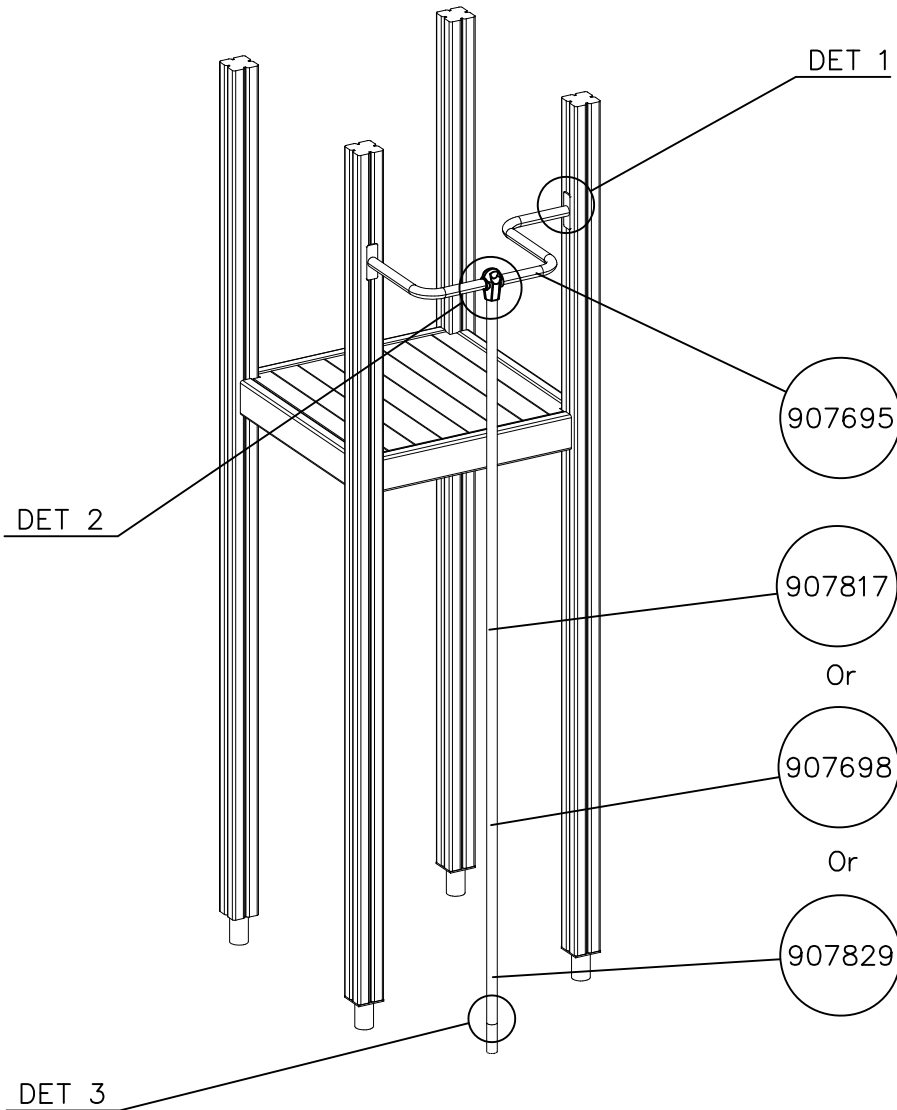
## ROPE LADDER COLOR OPTIONS

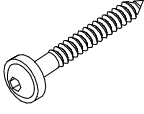
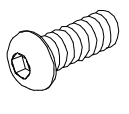
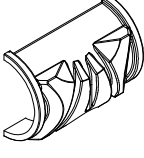

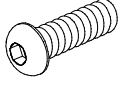

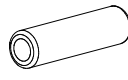




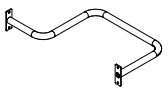


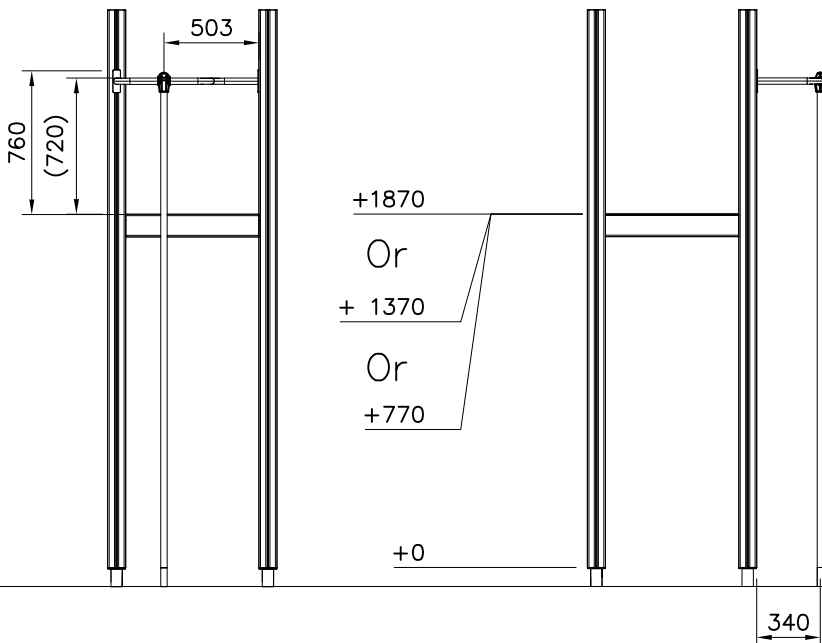
|            |        |
|------------|--------|
| xxxxxx-301 | BLUE   |
| xxxxxx-302 | RED    |
| xxxxxx-303 | BEIGE  |
| xxxxxx-304 | GRAY   |
| xxxxxx-305 | BLACK  |
| xxxxxx-306 | YELLOW |



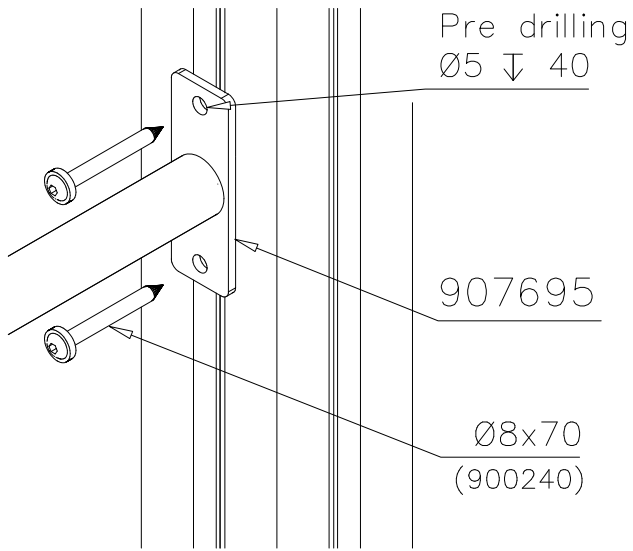




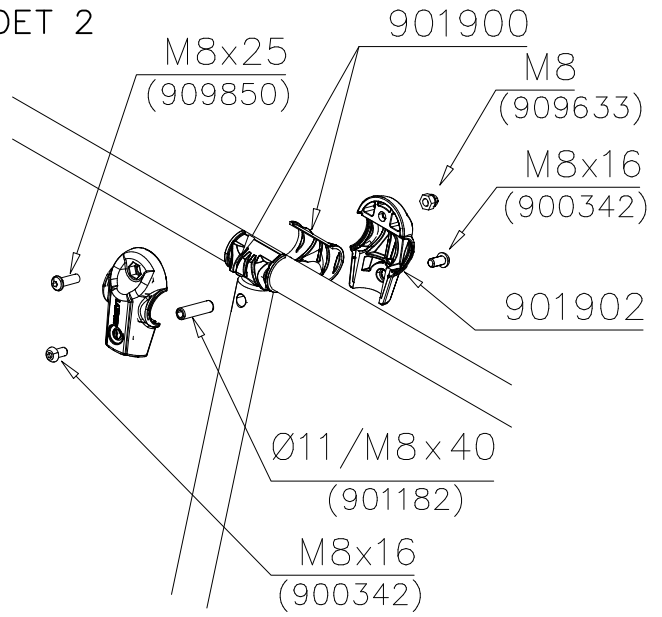
|   |     |   |     |
|---|-----|---|-----|
| ① 900240  | PCS | ② 900342  | PCS |
|    | 4   |    | 2   |
| Ø8x70   |     | M8x16   |     |
| ③ 901900  | PCS | ④ 901939  | PCS |
|    | 2   |    | 1   |
| 20.5x36.2x56  |     | M12x70  |     |
| ⑤ 909850  | PCS | ⑥ 980150  | PCS |
|    | 1   |    | 1   |
| M8x25   |     | M8  |     |
| ⑦ 901182  | PCS | ⑧ 901902  | PCS |
|  | 1   |  | 2   |
| Ø11/M8x40   |     | 30.7x60.9x100   |     |
|   | PCS |   | PCS |
|   |     |   |     |
|   | PCS |   | PCS |
|   |     |   |     |
| ○ 907829  | PCS | ○ 907698  | PCS |
|  | 1   |  | 1   |
| Ø33,7x1454  |     | Ø33,7x2054  |     |
| ○ 907817  | PCS | ○ 907695  | PCS |
|  | 1   |  | 1   |
| Ø33,7x2554  |     |   |     |



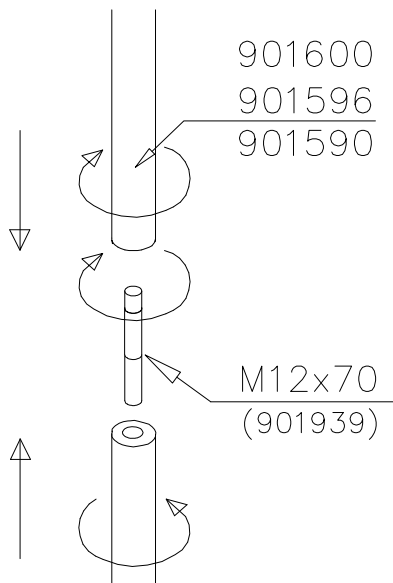
DET 1



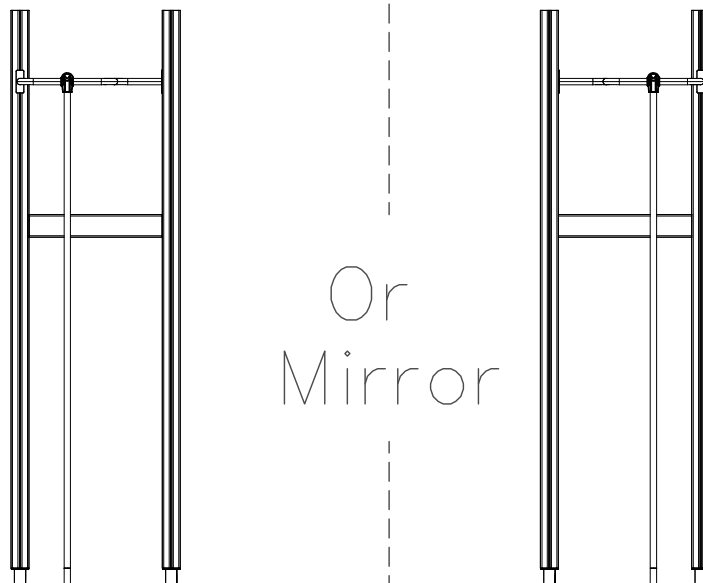
DET 2



DET 3



DET 4

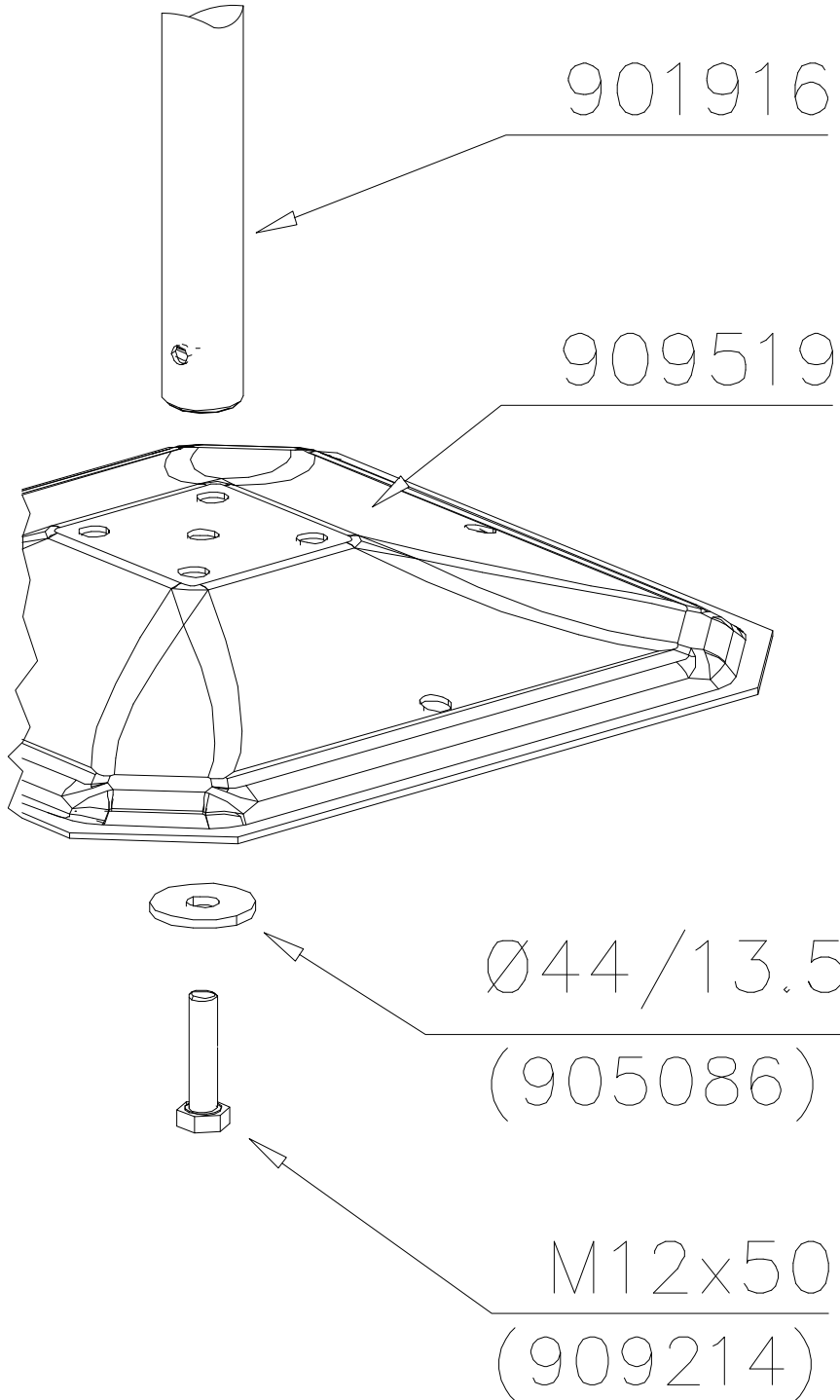
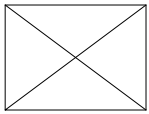


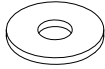
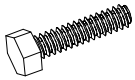
# LAPPSET® DEEP FOUNDATION

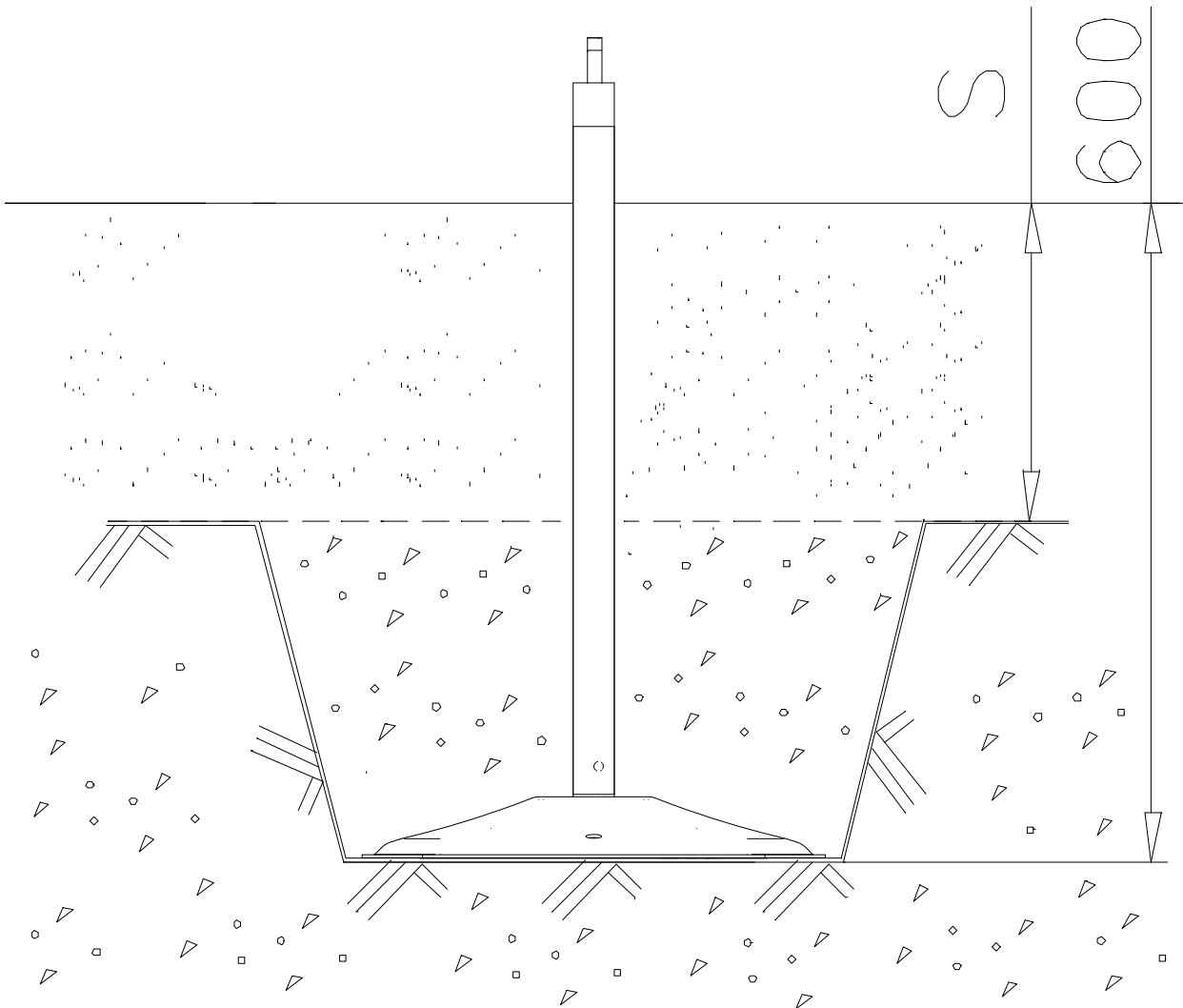
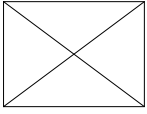
# POLE

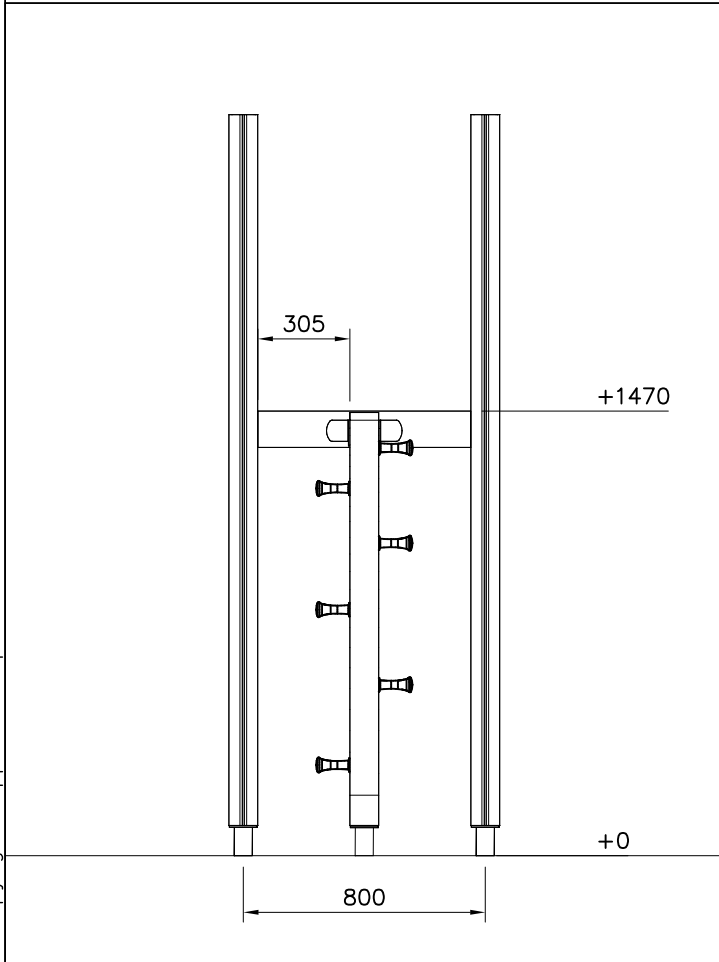
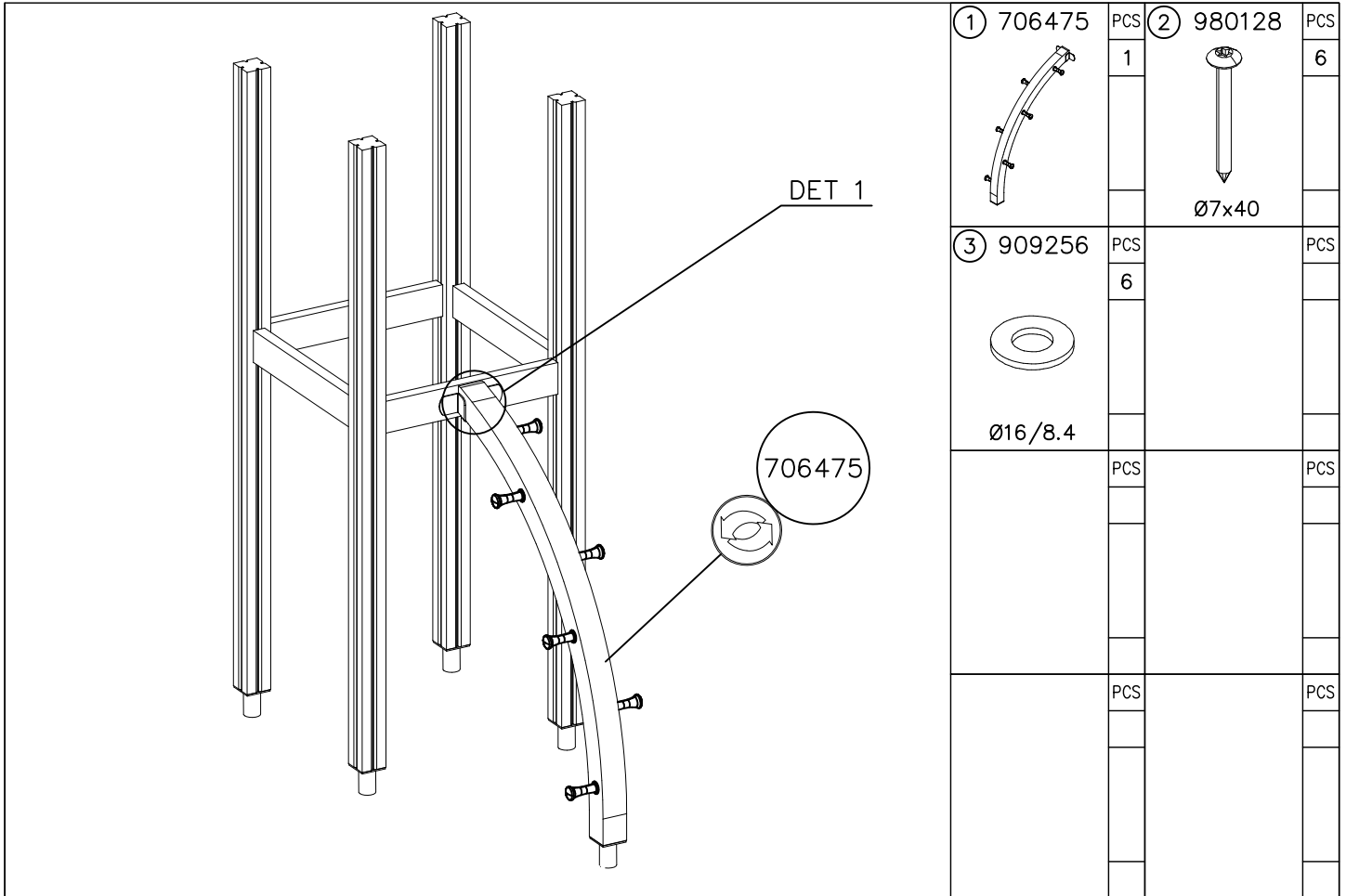
DATE: 15.5.2014

**1(1)**

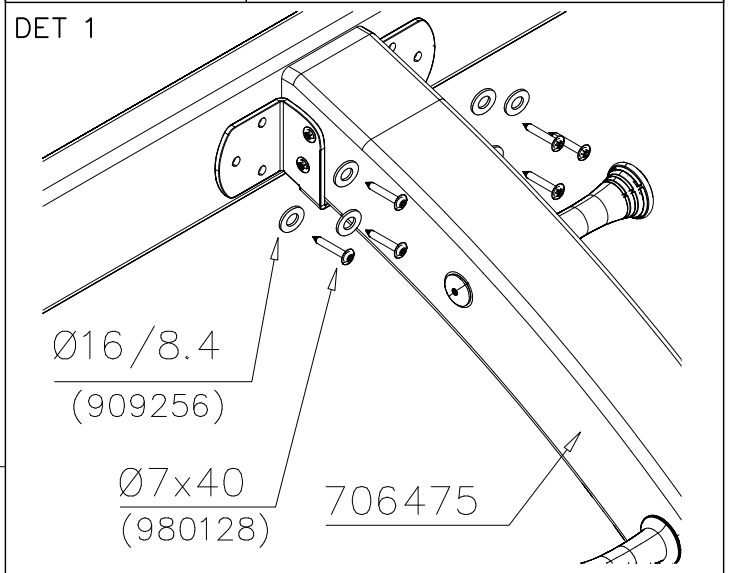


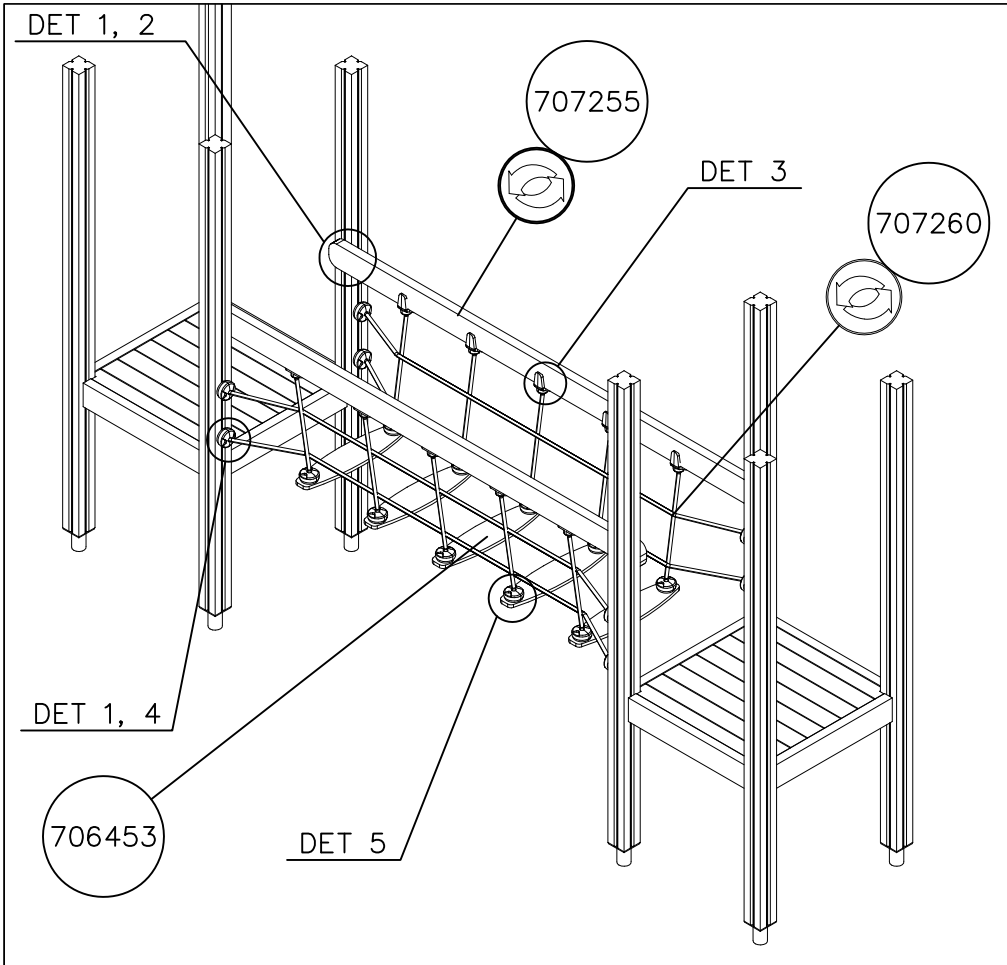
| ① | 905086  | PCS | ②   | 909214 | PCS |
|---|---|-----|---|--------|-----|
|   |  | 1   |  |        | 1   |
|   | Ø44/13.5  |     | M12x50  |        |     |
|   |   | PCS |   |        | PCS |
|   |   |     |   |        |     |
|   |   | PCS |   |        | PCS |
|   |   |     |   |        |     |
|   |   | PCS |   |        | PCS |
|   |   |     |   |        |     |
|   |   | PCS |   |        | PCS |
|   |   |     |   |        |     |
|   |   | PCS |   |        | PCS |
|   |   |     |   |        |     |
|   |   | PCS |   |        | PCS |
|   |   |     |   |        |     |
|   |   | PCS |   |        | PCS |
|   |   |     |   |        |     |

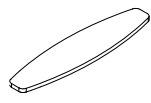
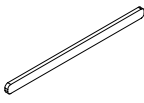
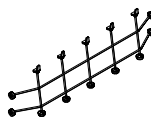
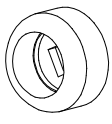
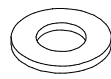

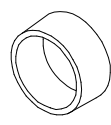



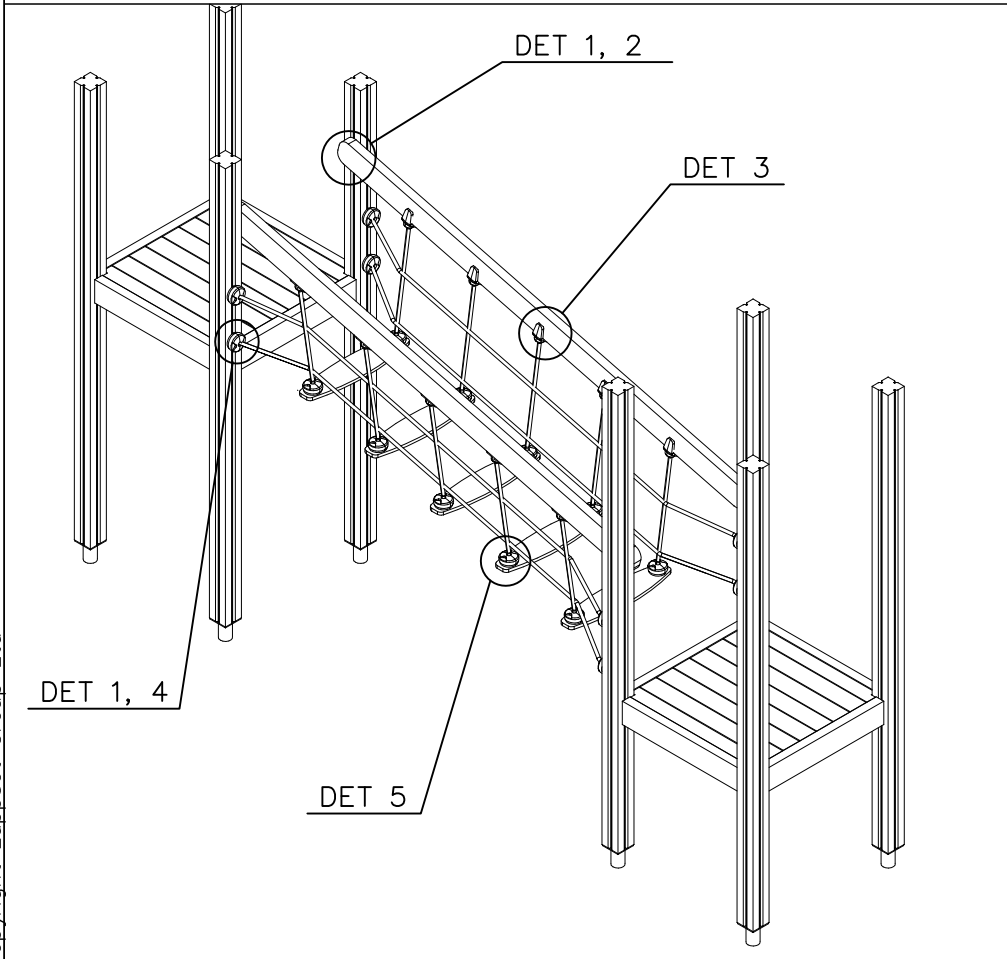



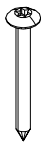
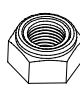
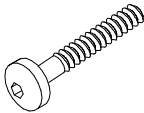
| OPTIONS |            |             |
|---------|------------|-------------|
| 706475  | 706475-602 | DARK BROWN  |
|         | 706475-603 | LIGHT BROWN |
|         | 706475-604 | LIGHT GRAY  |

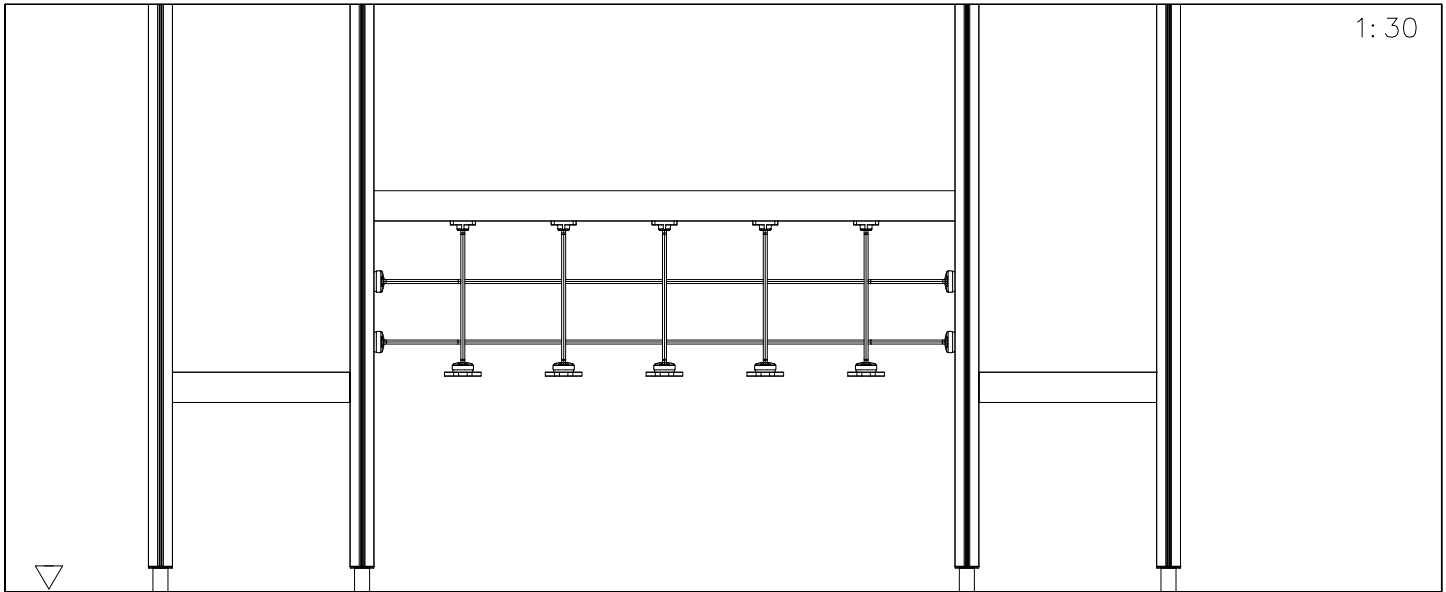




|   |     |   |     |
|---|-----|---|-----|
| ① 706453  | PCS | ② 707255  | PCS |
|    | 5   |    | 2   |
| 15x145x600  |     | 45x120x2480   |     |
| ③ 707260  | PCS | ④ 905083  | PCS |
|    | 2   |    | 4   |
| 2375x600  |     | Ø32   |     |
| ⑤ 980151  | PCS | ⑥ 909232  | PCS |
|    | 4   |    | 4   |
| Ø16/8.4   |     | 8x120   |     |
| ⑦ 905112  | PCS | ⑧ 900240  | PCS |
|  | 4   |  | 16  |
| Ø22   |     | Ø8x70   |     |

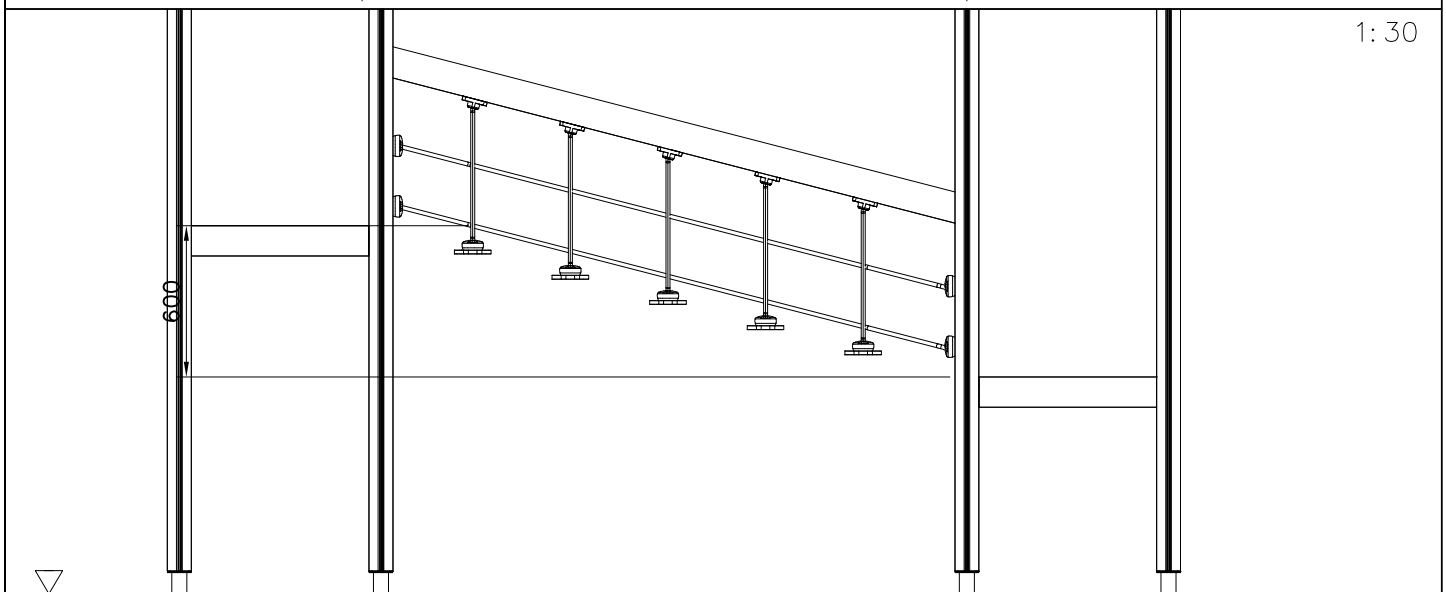


|   |     |   |     |
|---|-----|---|-----|
| ⑨ 980123  | PCS | ⑩ 980128  | PCS |
|  | 20  |  | 10  |
| Ø7x60   |     | Ø7x40   |     |
| ⑪ 980150  | PCS | ⑫ 901899  | PCS |
|  | 20  |  | 20  |
| M8  |     | M8x45   |     |
|   | PCS |   | PCS |
|   |     |   |     |
|   | PCS |   | PCS |
|   |     |   |     |



1:30

2400



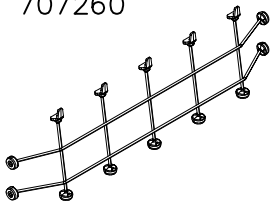
1:30

600

2320

### NET OPTIONS

707260

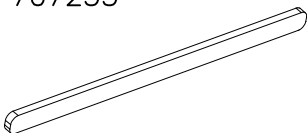


2375x600

- 707260-301 BLUE
- 707260-302 RED
- 707260-303 BEIGE
- 707260-304 GRAY
- 707260-305 BLACK
- 707260-306 YELLOW

### RAILING OPTIONS

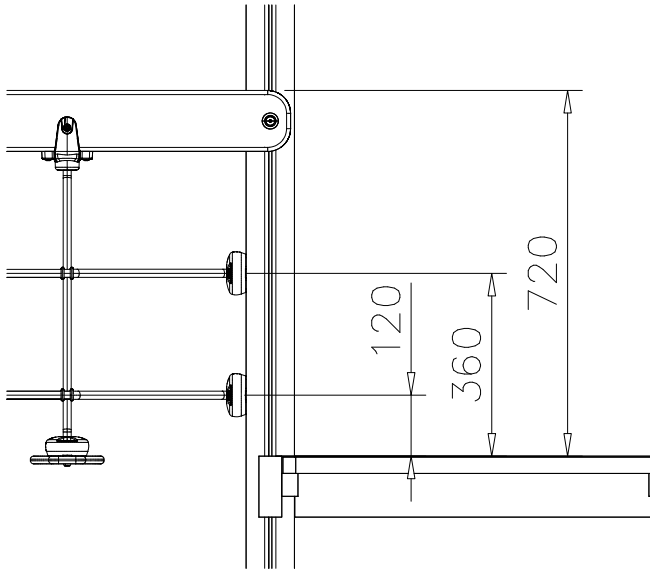
707255



45x120x2480

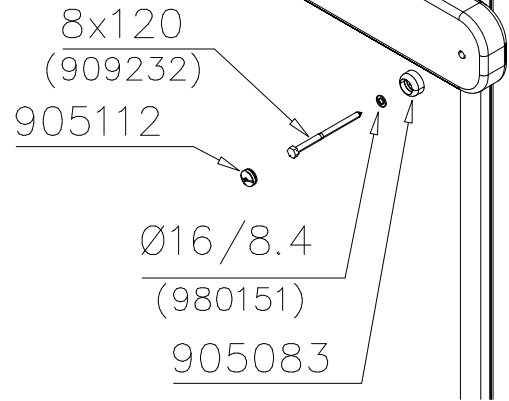
- |                      |                   |
|----------------------|-------------------|
| 707255-605 DARK GRAY | 707255-609 GREEN  |
| 707255-606 GRAY      | 707255-610 YELLOW |
| 707255-607 RED       | 707255-611 LIME   |
| 707255-608 BLUE      | 707255-612 FUXIA  |

DET 1

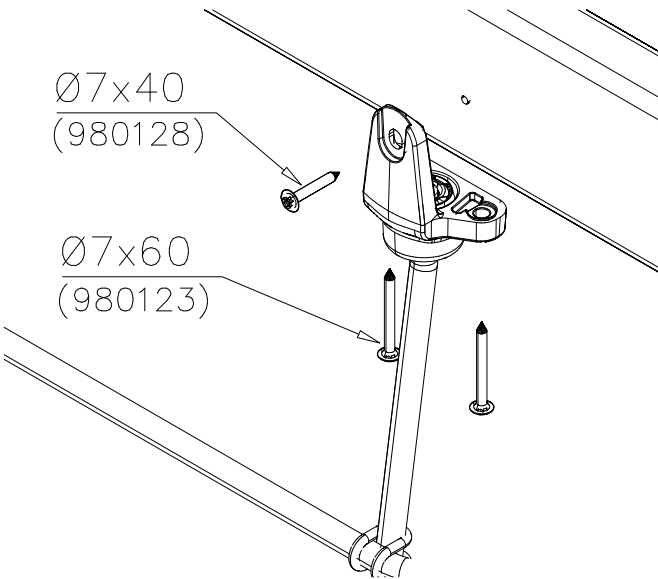


DET 2

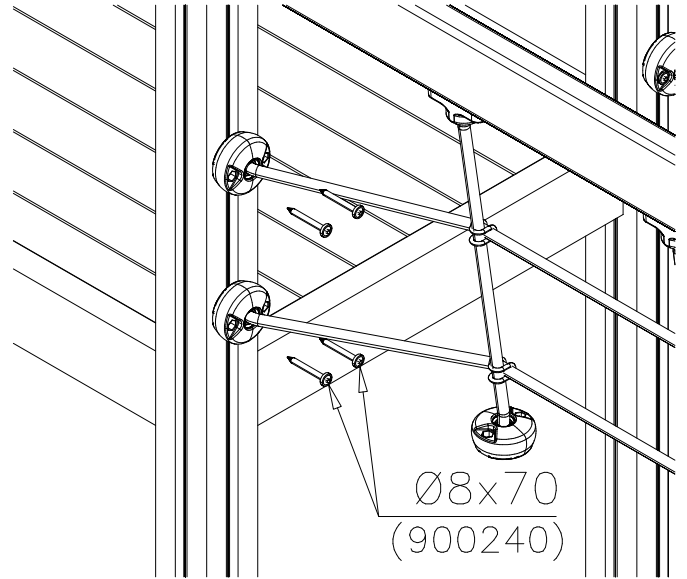
Note:  
in side  
Bridge



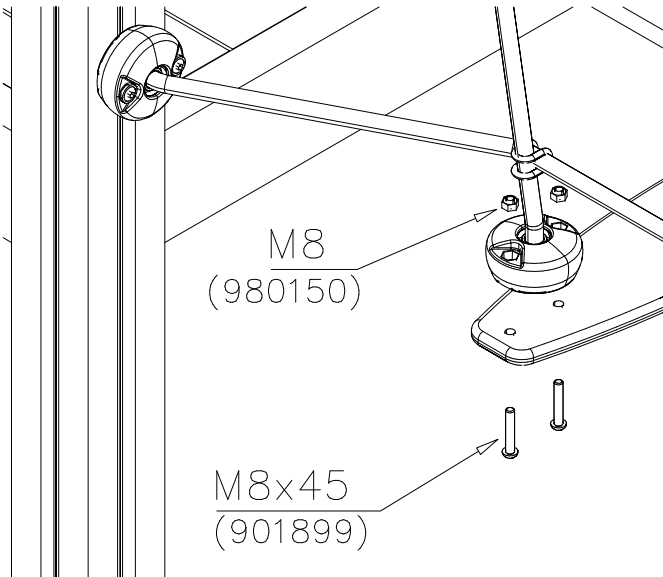
DET 3



DET 4

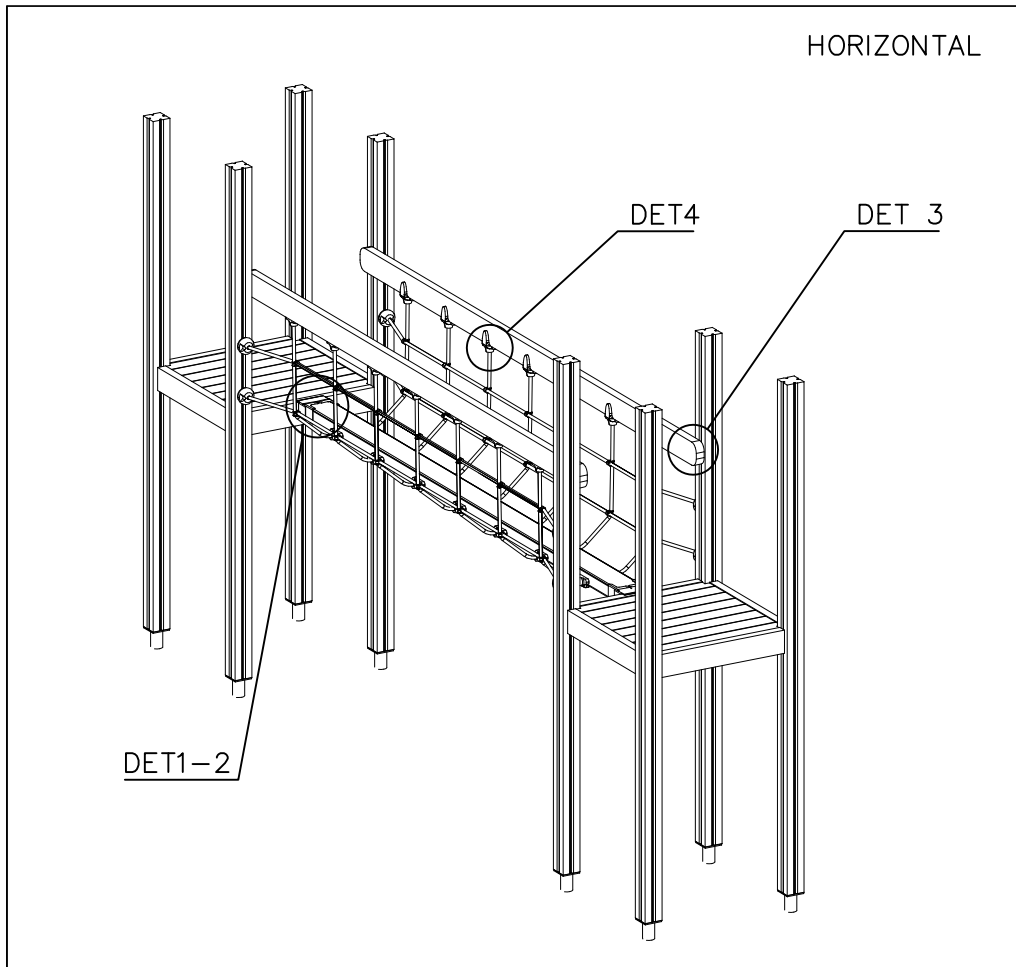





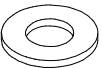

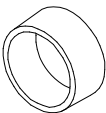
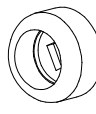
DET 5

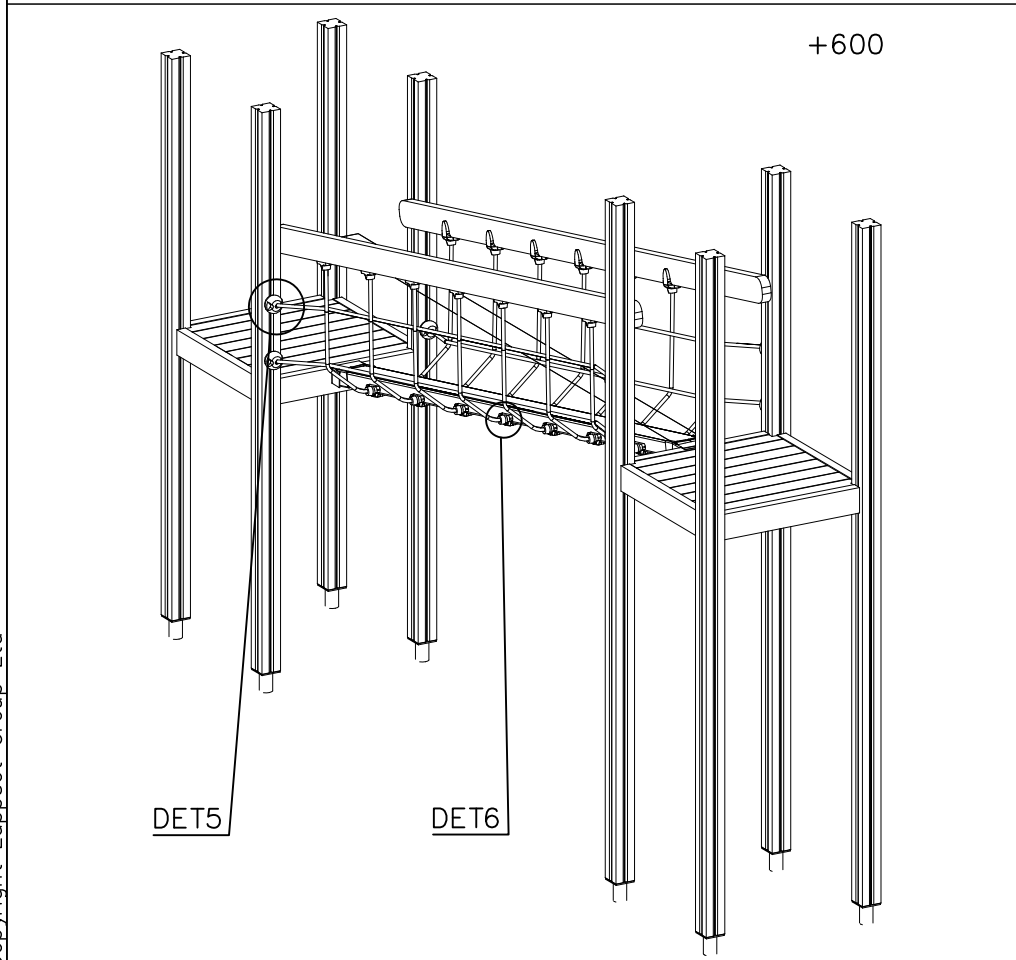



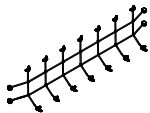

DET 6

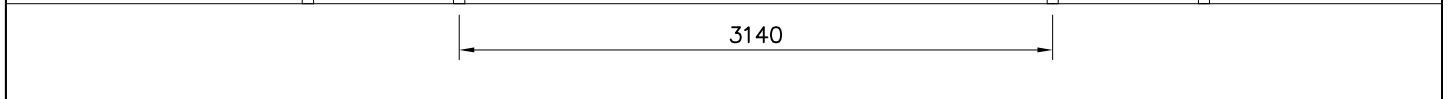
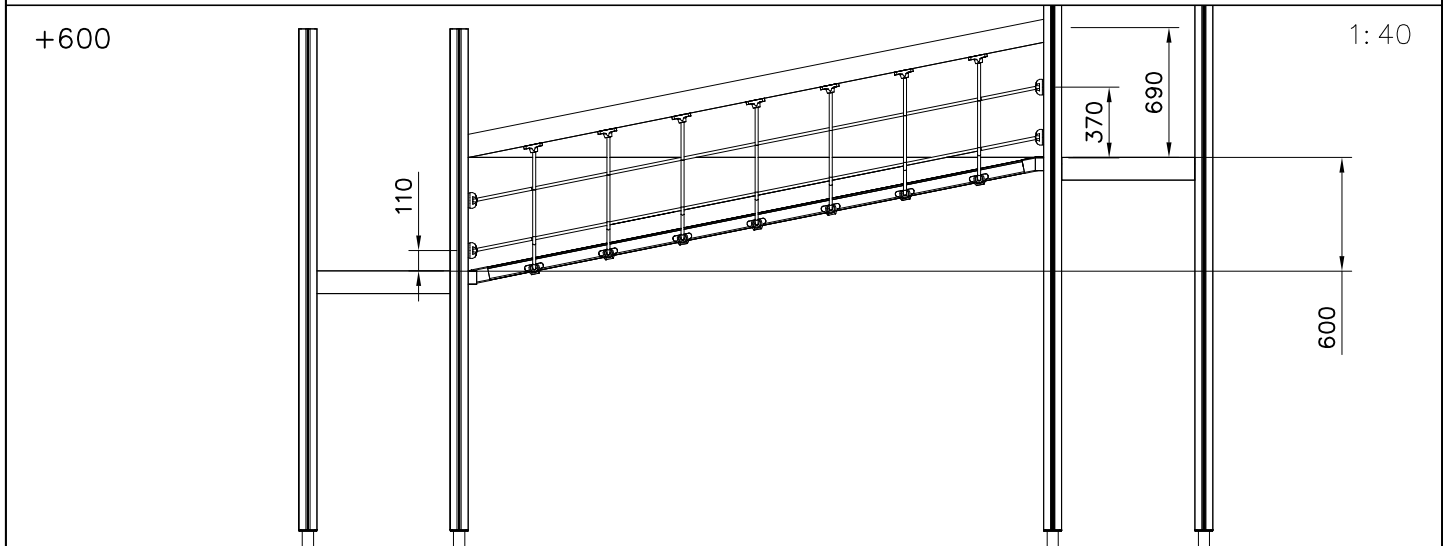
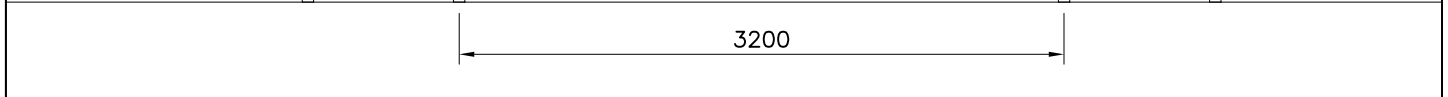
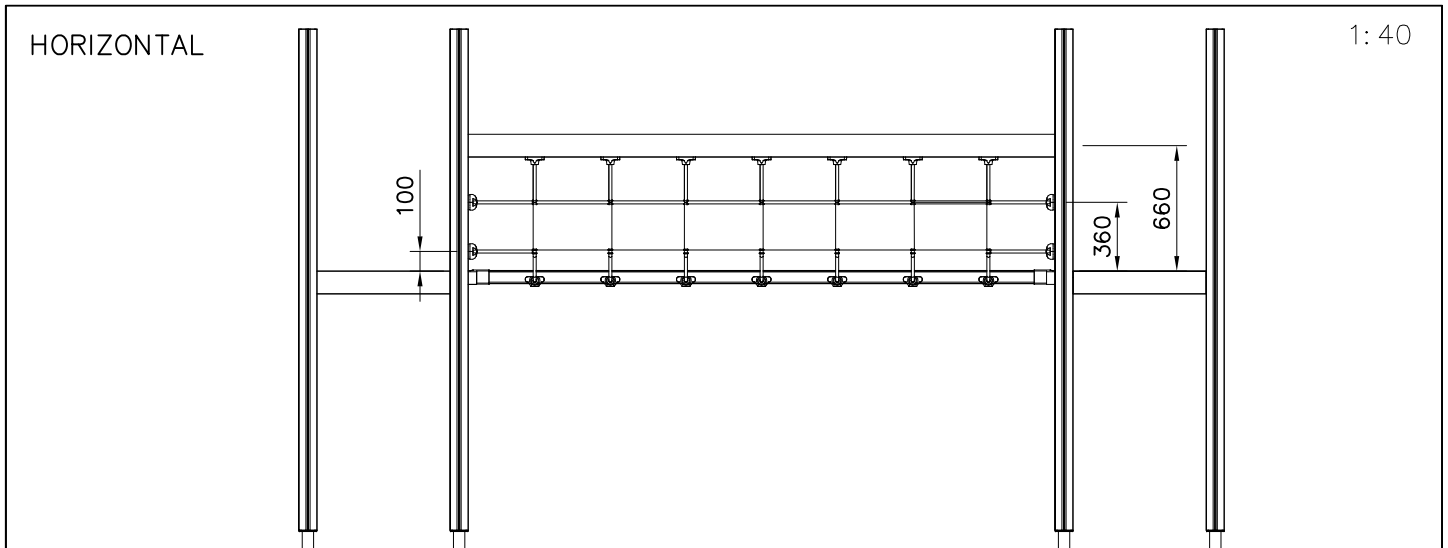




|   |   |     |   |   |     |
|---|---|-----|---|---|-----|
| ① | 980123  | PCS | ② | 909232  | PCS |
|   |    | 56  |   |  | 4   |
|   | Ø7x60   |     |   | 8x120   |     |
| ③ | 980128  | PCS | ④ | 980151  | PCS |
|   |    | 36  |   |  | 4   |
|   | Ø7x40   |     |   | Ø16/8.4   |     |
| ⑤ | 900240  | PCS | ⑥ | 905112  | PCS |
|   |    | 16  |   |  | 8   |
|   | 8x70  |     |   | Ø22   |     |
| ⑦ | 905083  | PCS |   |   | PCS |
|   |  | 4   |   |   |     |
|   | Ø32   |     |   |   |     |

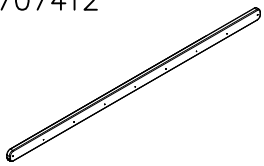


|   |   |     |   |   |     |
|---|---|-----|---|---|-----|
|   |   | PCS |   |   | PCS |
|   |   |     |   |   |     |
|   |   |     |   |   |     |
|   |   |     |   |   |     |
|   |   |     |   |   |     |
|   |   |     |   |   |     |
| ○ | 707412  | PCS | ○ | 707413  | PCS |
|   |  | 2   |   |  | 2   |
|   | 45x120x3280   |     |   | 3140x800  |     |
| ○ | 707415  | PCS |   |   | PCS |
|   |  | 1   |   |   |     |
|   |   |     |   |   |     |



BOOM OPTIONS

707412



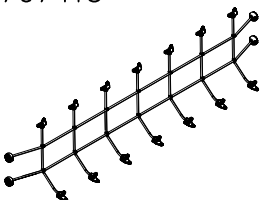
45x120x3280

- 602 DARK BROWN
- 603 LIGHT BROWN
- 604 LIGHT GRAY
- 605 DARK GRAY
- 606 GRAY
- 607 RED

- 608 BLUE
- 609 GREEN
- 610 YELLOW
- 611 LIME
- 612 FUXIA

NET OPTIONS

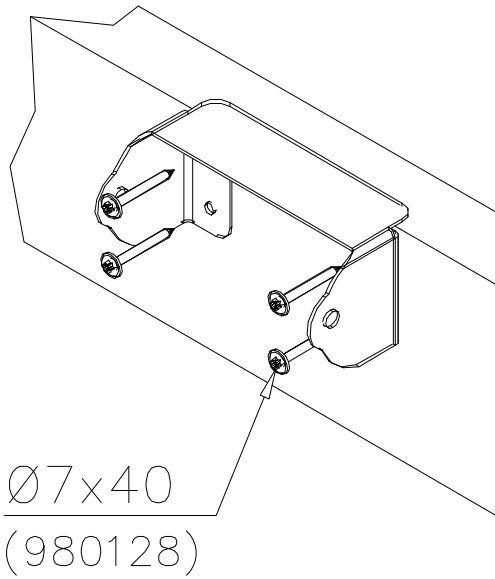
707413



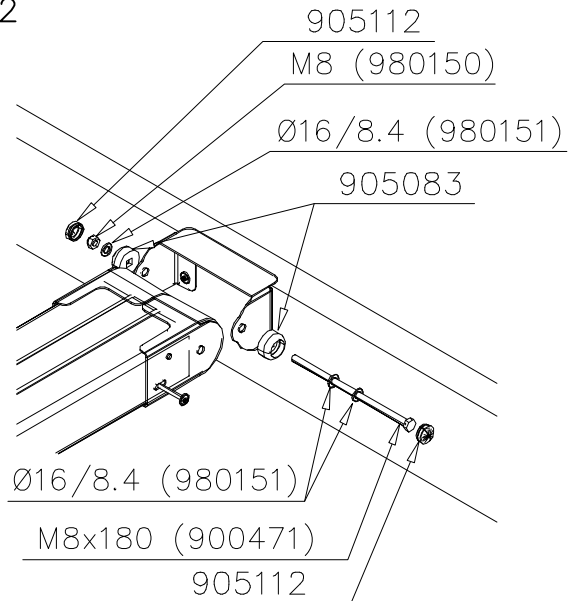
3140x800

- 301 BLUE
- 302 RED
- 303 BEIGE
- 304 GRAY
- 305 BLACK
- 306 YELLOW

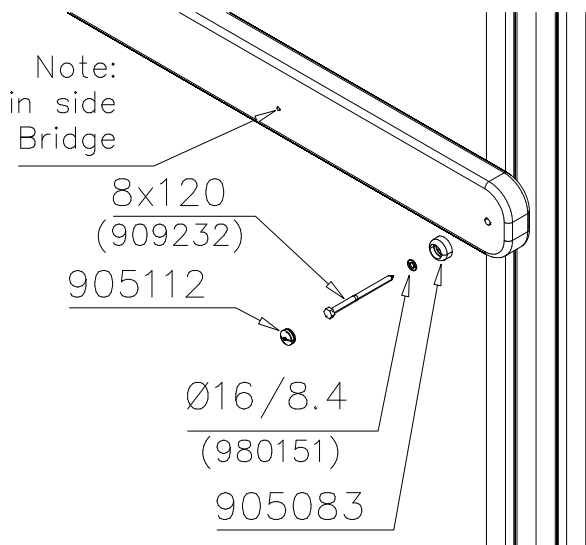
DET 1



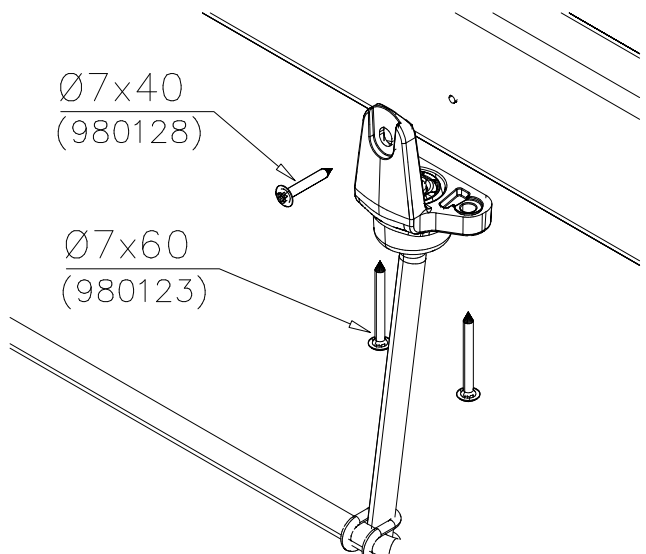
DET 2



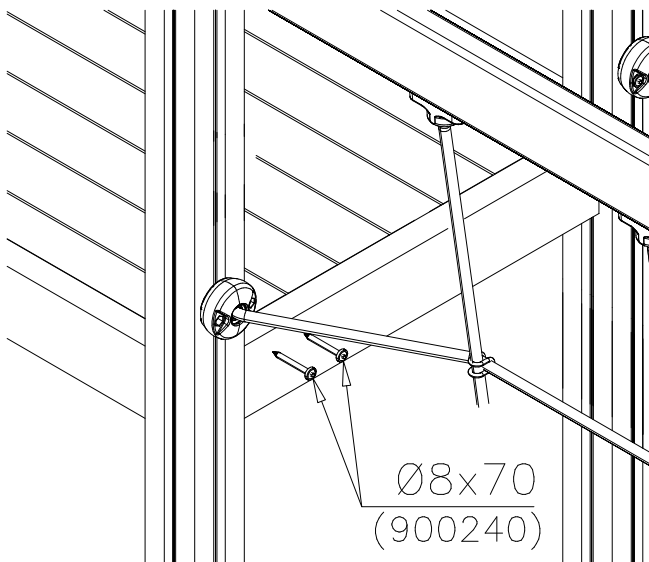
DET 3



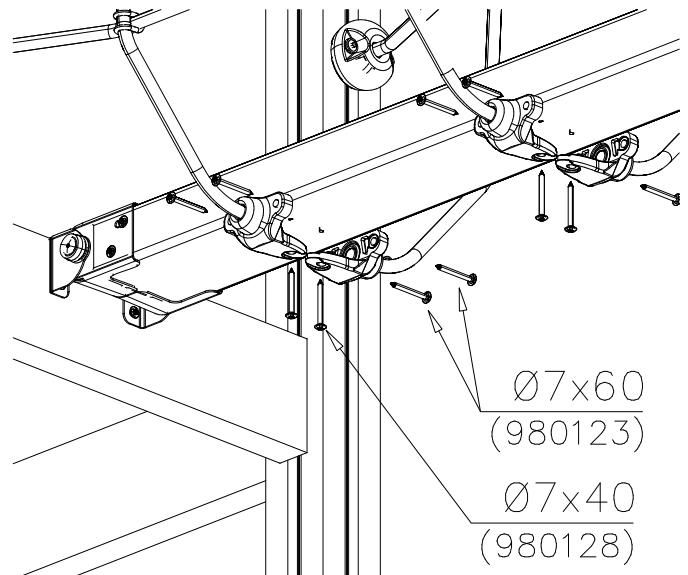
DET 4



DET 5



DET 6



DET 1,2

\*Note:  
No gaps between:  
8–25mm  
89–230mm

|             |     |          |     |
|-------------|-----|----------|-----|
| ① 903176    | PCS | ② 909850 | PCS |
|             | 4   |          | 4   |
|             |     | M8x25    |     |
| ③ 909256    | PCS | ④ 909633 | PCS |
|             | 8   |          | 4   |
| Ø16/8.4x1.6 |     | M8       |     |
| ⑤ 980123    | PCS |          | PCS |
|             | 4   |          |     |
| Ø7x60       |     |          |     |

800

80

\*Note

800

80

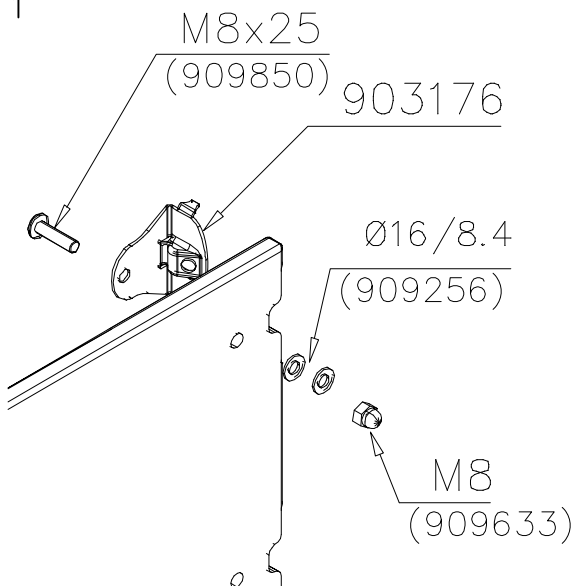
\*Note

| COLOR OPTIONS |            |
|---------------|------------|
| -701          | BLUE       |
| -702          | YELLOW     |
| -703          | LIME       |
| -704          | DARK GRAY  |
| -705          | LIGHT GRAY |
| -706          | RED        |
| -707          | GREEN      |
| -708          | FUXIA      |

GAME WALL OPTIONS

|   |   |  |  |
|---|---|--|--|
| 706766  | 706772  | 706308   | 707453   |
|    |    |    |   |
| 640x702   | 640x702   | 640x702  | 640x702  |
| 707209  | 705705  | 707433   | 707386   |
|   |   |   |  |
| 640x702   | 640x702   | 640x702  | 640x702  |
| 709403  | 709358  | 709405   |  |
|  |  |  |  |
| 640x702   | 640x702   | 420x702  |  |

DET 1



DET 2

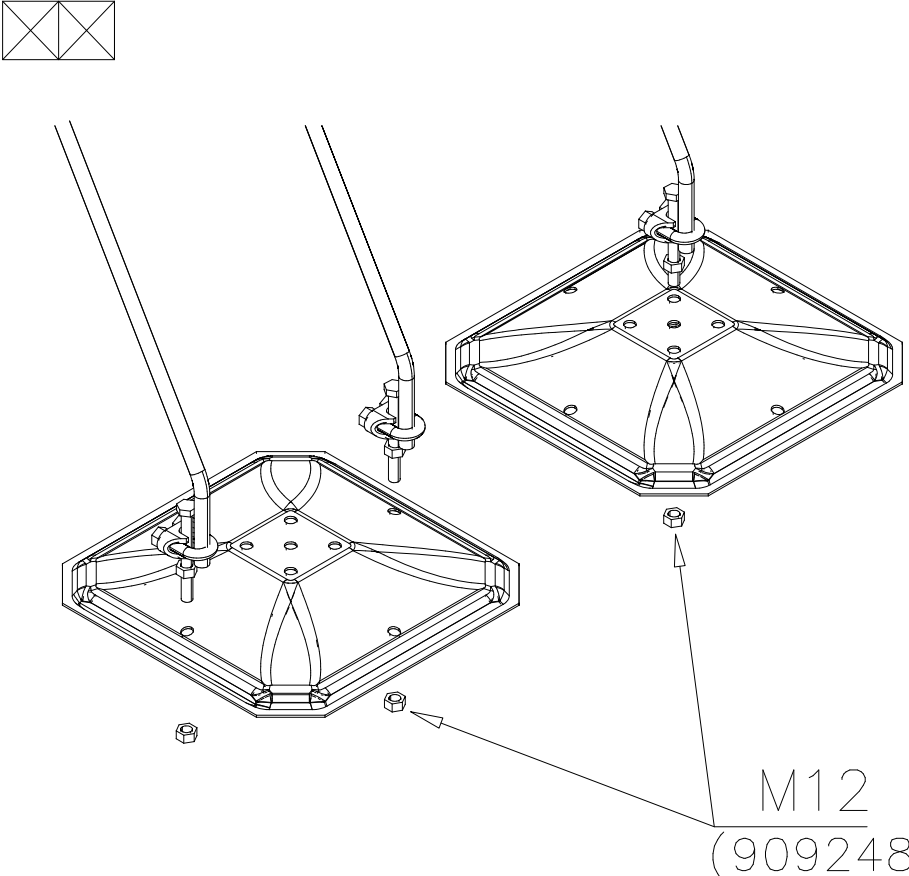


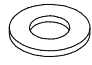
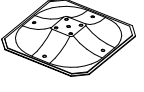
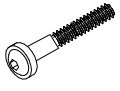
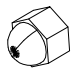
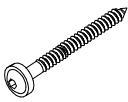
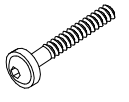
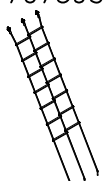
# LAPPSET® DEEP FOUNDATION

# ROPE LADDER

DATE: 19.1.2017

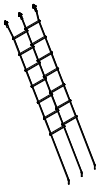
1(3)



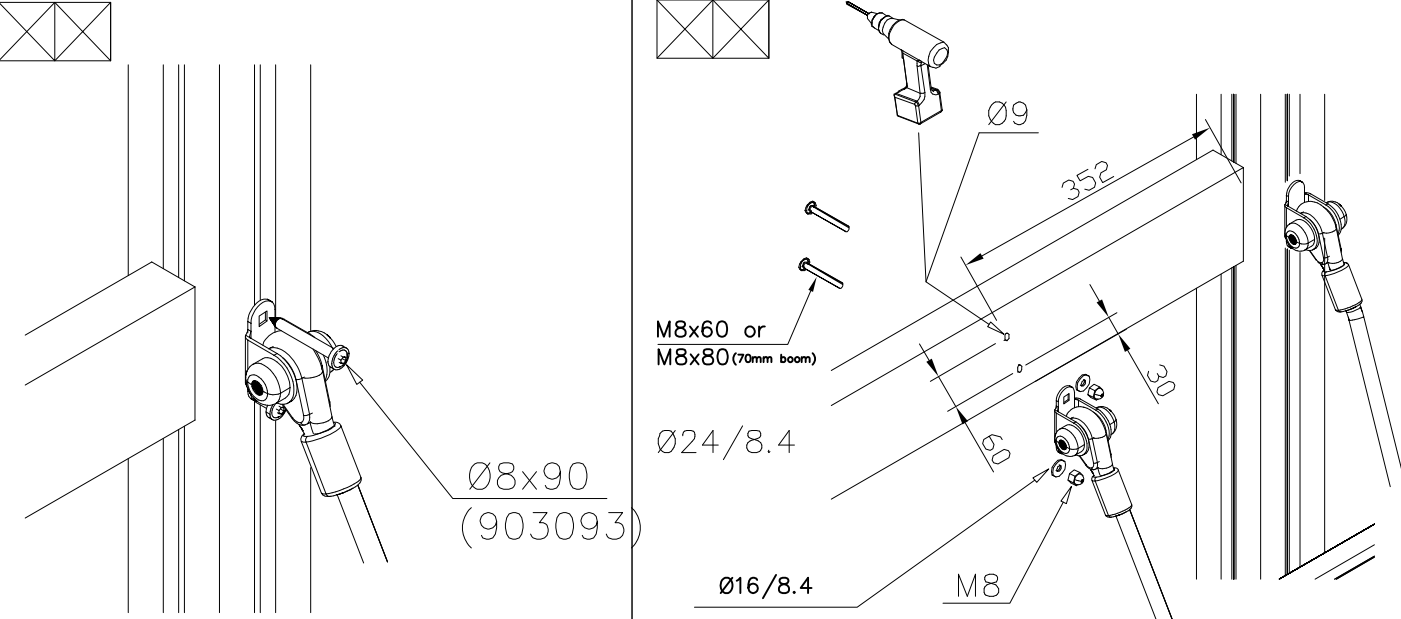
|   |     |   |     |
|---|-----|---|-----|
| ① 909256  | PCS | ② 909519  | PCS |
|  | 2   |    | 2   |
| Ø16/8.4x1.6   |     | 50x380x380  |     |
| ③ 909866  | PCS | ④ 909633  | PCS |
|  | 2   |    | 2   |
| M8x60   |     | M8  |     |
| ⑤ 903093  | PCS | ⑤ 901104  | PCS |
|  | 4   |    | 2   |
| Ø8x90   |     | M8x80   |     |
|   | PCS | ○ 707395  | PCS |
|   |     |  | 1   |
|   |     | +2570   |     |

M12  
(909248)

## ROPE LADDER COLOR OPTIONS



|            |        |
|------------|--------|
| xxxxxx-301 | BLUE   |
| xxxxxx-302 | RED    |
| xxxxxx-303 | BEIGE  |
| xxxxxx-304 | GRAY   |
| xxxxxx-305 | BLACK  |
| xxxxxx-306 | YELLOW |



Ø8x90  
(903093)

M8x60 or  
M8x80 (70mm boom)

Ø24/8.4

Ø16/8.4

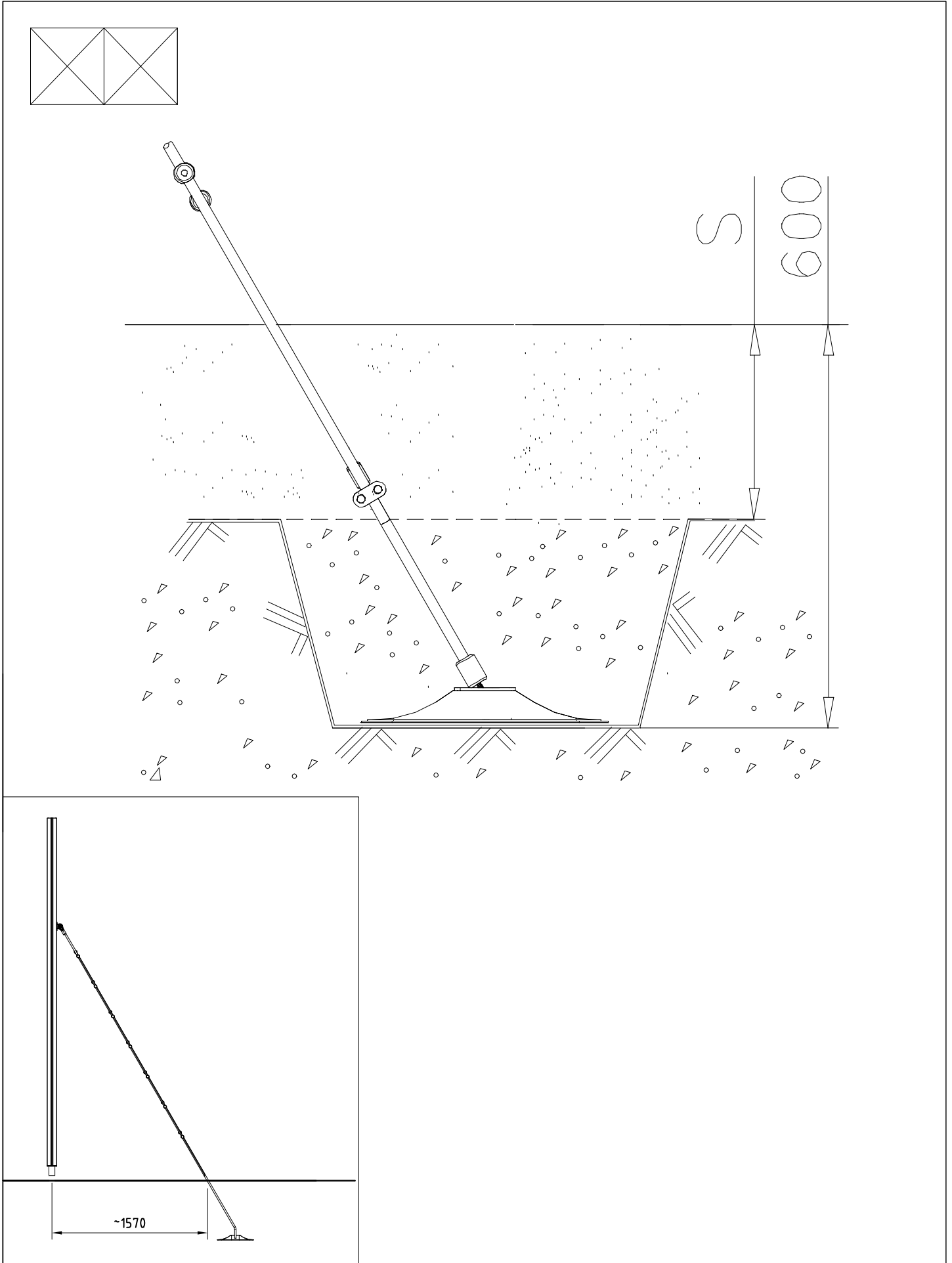
M8

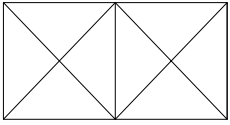
Ø9

352

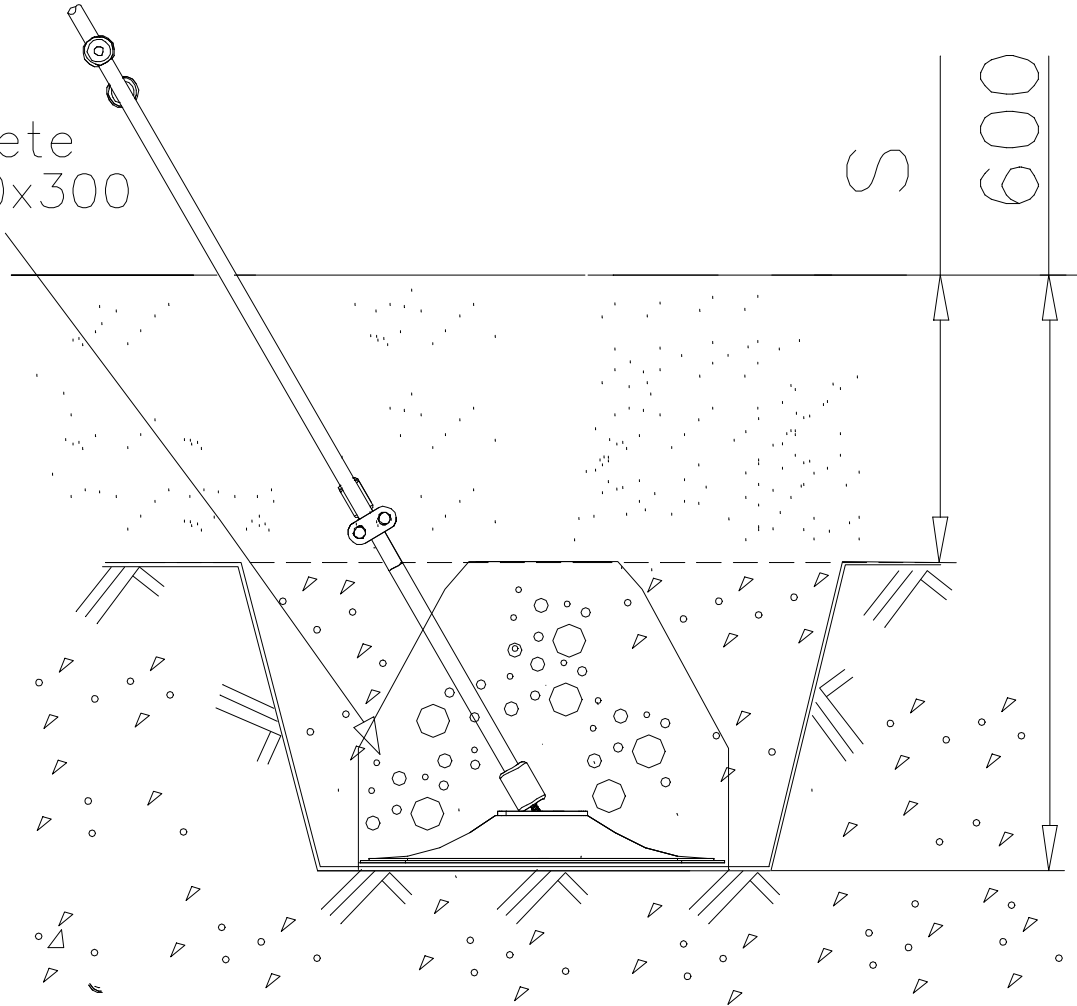
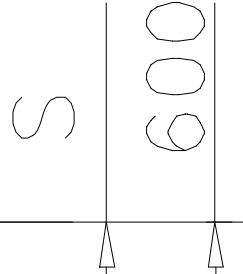
30

50

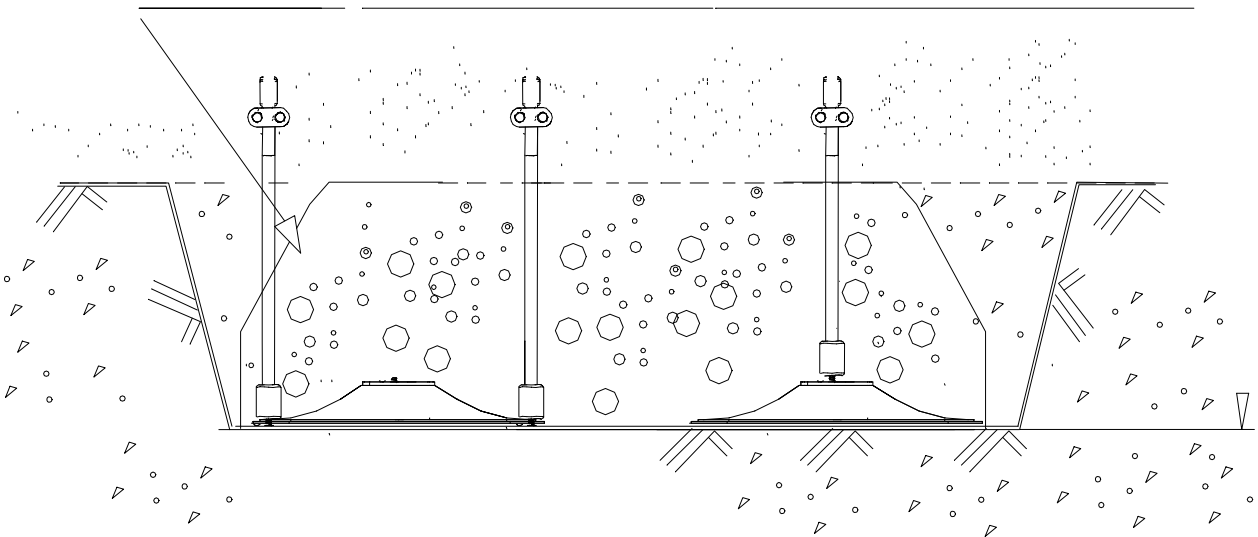




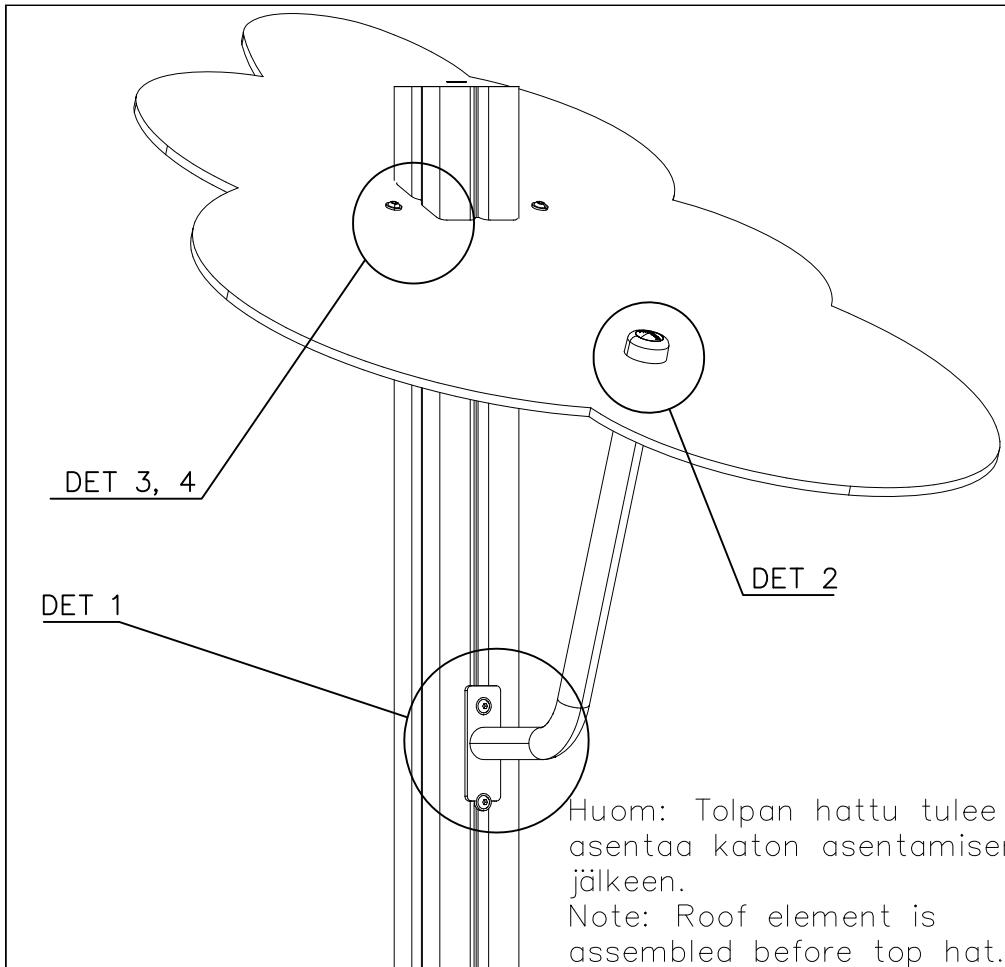
Concrete  
1000x500x300



Concr de  
1000x500x300

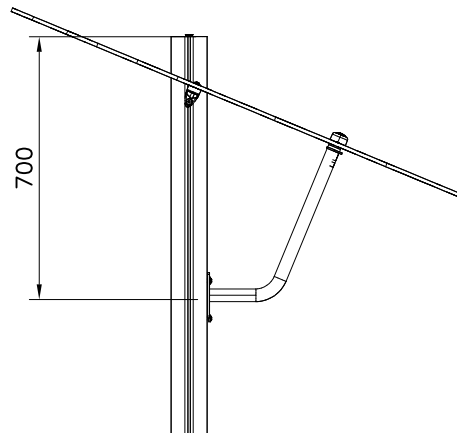
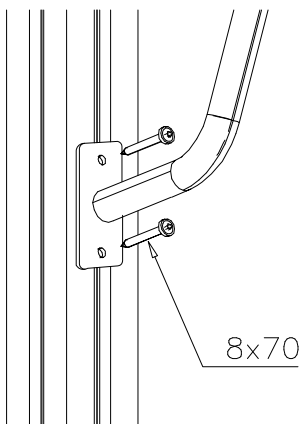




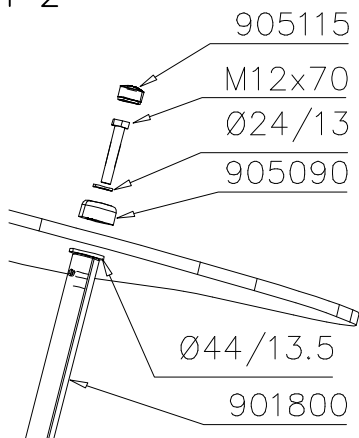


|          |     |          |     |
|----------|-----|----------|-----|
| ① 900240 | PCS | ② 901570 | PCS |
|          | 4   |          | 2   |
| Ø8x70    |     | 36x55x55 |     |
| ③ 980154 | PCS | ④ 905086 | PCS |
|          | 1   |          | 1   |
| Ø24/13   |     | Ø44/13,5 |     |
| ⑤ 905090 | PCS | ⑥ 905115 | PCS |
|          | 1   |          | 1   |
| Ø45      |     | Ø30      |     |
| ⑦ 909142 | PCS | ⑧ 980160 | PCS |
|          | 1   |          | 2   |
| M12x70   |     | M8       |     |
| ⑨ 909852 | PCS |          | PCS |
|          | 2   |          |     |
| M8x30    |     |          |     |
|          | PCS |          | PCS |

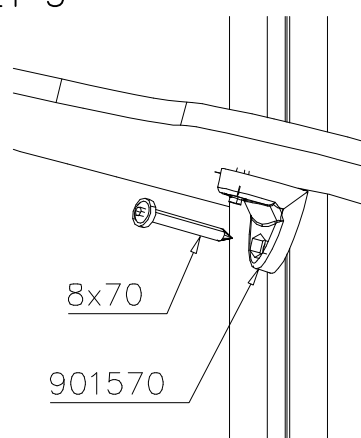
DET 1



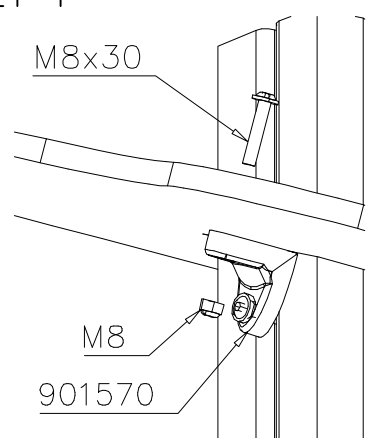
DET 2



DET 3

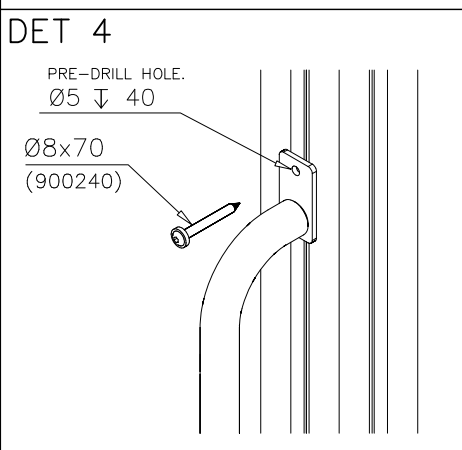
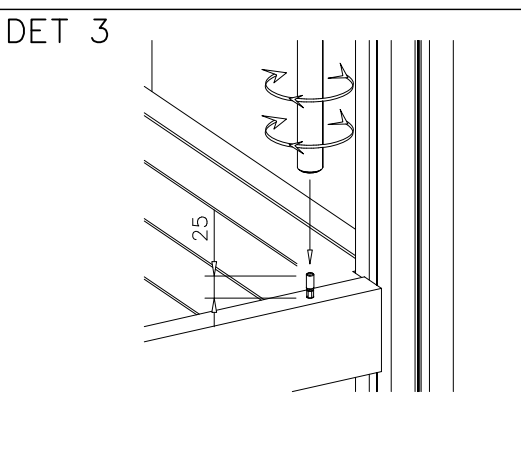
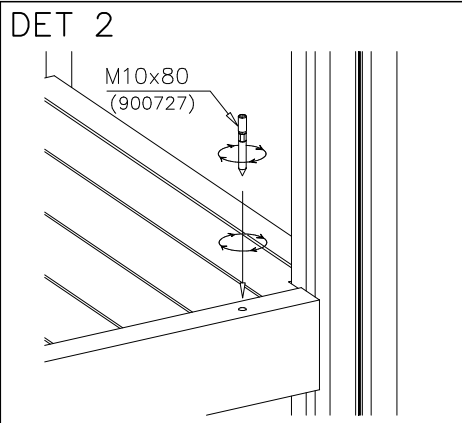
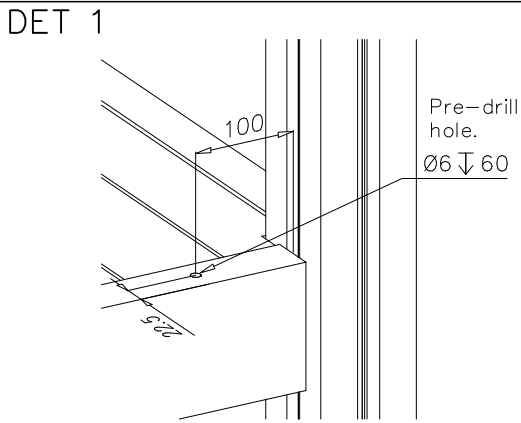


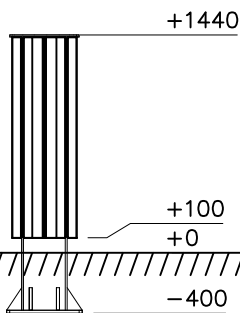
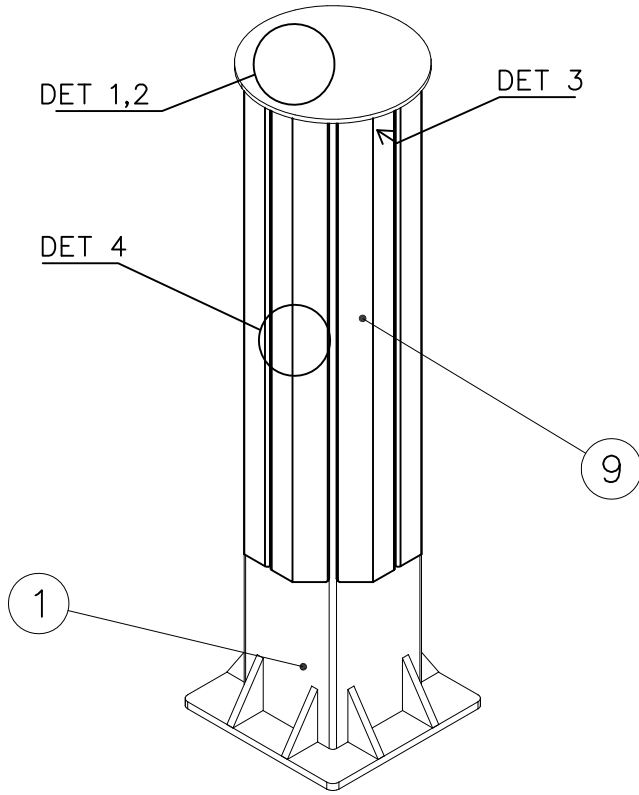
DET 4

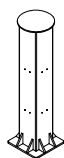
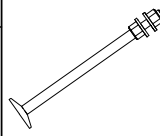

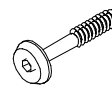
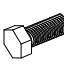

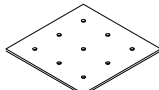


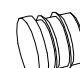




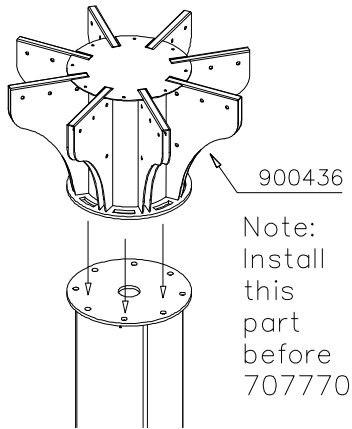
|   |     |   |     |
|---|-----|---|-----|
| ① 900240  | PCS | ② 900727  | PCS |
|  | 1   |  | 1   |
| Ø8x70   |     | M10x80  |     |
|   | PCS |   | PCS |
|   |     |   |     |
|   |     |   |     |
| ③ 907688  | PCS | ③ 907701  | PCS |
|  | 1   |  | 1   |
| 765   |     | 545   |     |
|   | PCS |   | PCS |
|   |     |   |     |
|   |     |   |     |
|   | PCS |   | PCS |
|   |     |   |     |
|   |     |   |     |
|   |     |   |     |
|   | PCS |   | PCS |
|   |     |   |     |
|   |     |   |     |
|   |     |   |     |
|   | PCS |   | PCS |
|   |     |   |     |
|   |     |   |     |



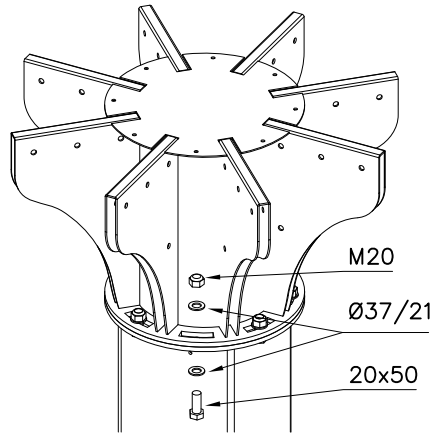


|   |     |   |     |
|---|-----|---|-----|
| ① 908377  | PCS | ② 909649  | PCS |
|    | 1   |    | 8   |
|   |     | M24x430   |     |
| ③ 909859  | PCS | ④ 909867  | PCS |
|    | 16  |    | 24  |
| ∅37/21  |     | M8x70   |     |
| ⑤ 929917  | PCS | ⑥ 929918  | PCS |
|    | 8   |    | 8   |
| M20x50  |     | M20   |     |
| ⑦ PN0247  | PCS | ⑧ 980154  | PCS |
|  | 1   |  | 24  |
| 700x700x15  |     | ∅24/13  |     |
| ⑨ 707770  | PCS | ⑩ 905066  | PCS |
|  | 8   |  | 24  |
| 63x135x1327   |     | S30H  |     |
|   | PCS |   | PCS |
|   |     |   |     |
|   | PCS |   | PCS |
|   |     |   |     |
|   | PCS |   | PCS |
|   |     |   |     |

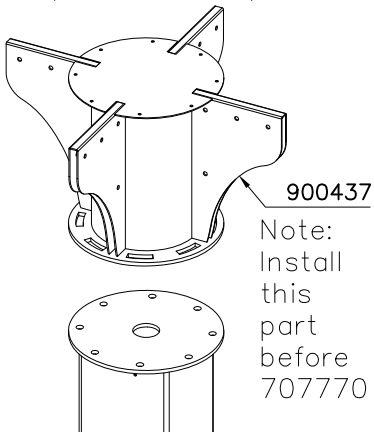
DET 1 (Big floor)



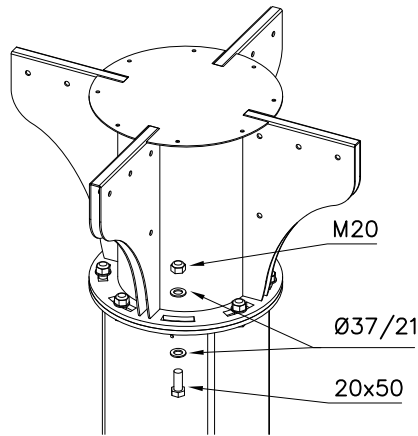
DET 2



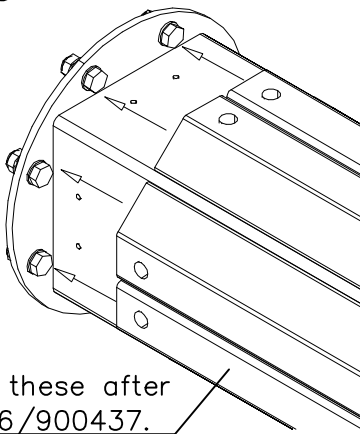
DET 1 (Small floor)



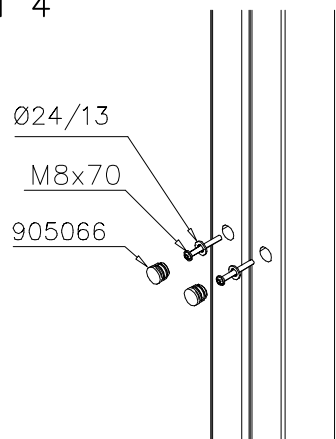
DET 2



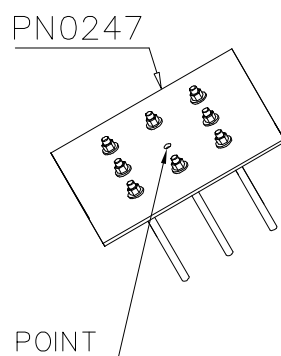
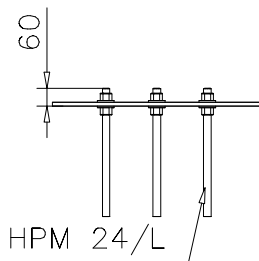
DET 3



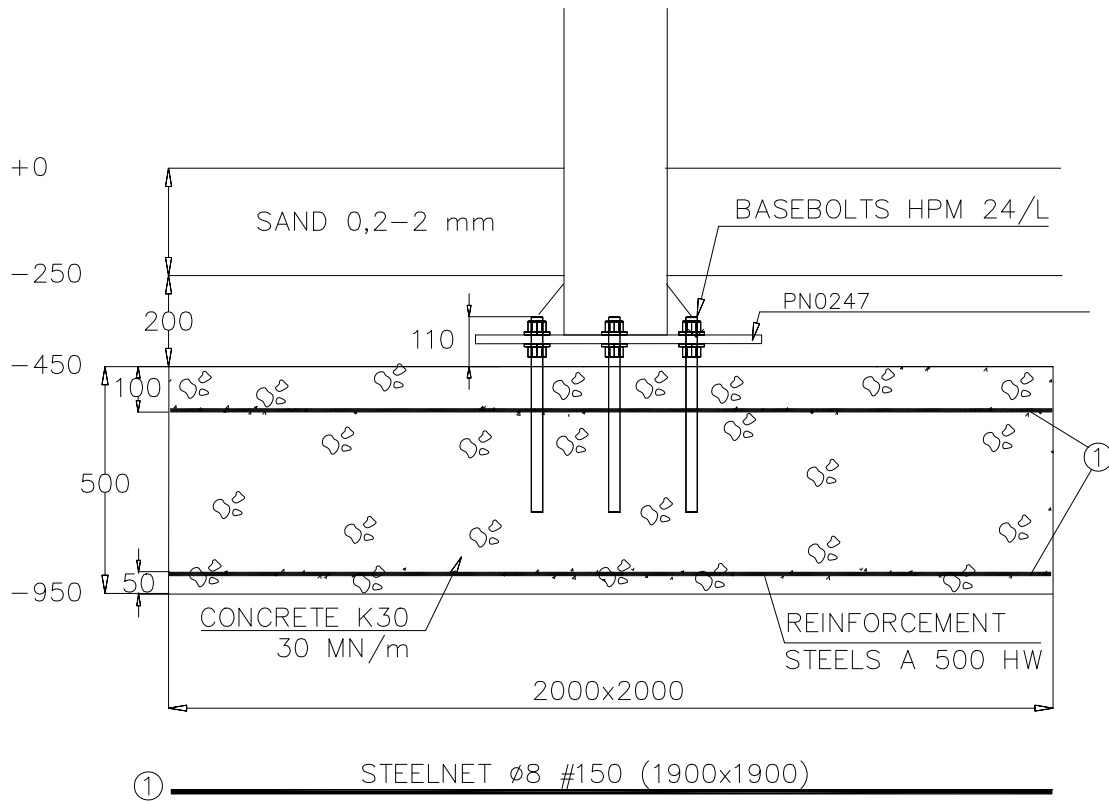
DET 4



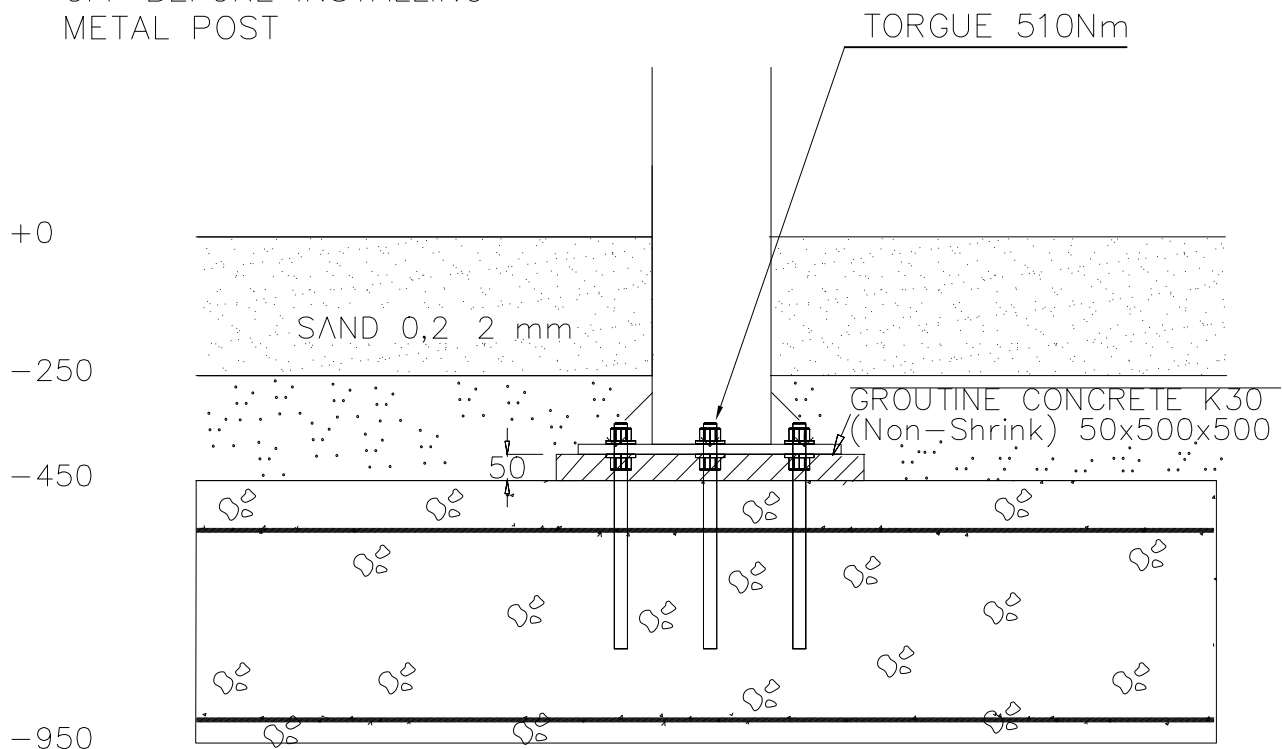
HOX! Use the plate to focus right place for the bolts



CONCRETE BLOCK SOLUTION



TAKE THE PLATE PN0247  
OFF BEFORE INSTALLING  
METAL POST





**Tuotekyltti tulee tuotteen mukana yhdellä seuraavista tavoista:**

**1) Metallinen tuotekyltti ja kiinnitysruuvit**

- Kiinnitä tuotekyltti ruuveilla tolppaan noin 2 metrin korkeuteen kuvan 1 mukaisesti.

**2) Tuotekylttitarra**

- Puhdista maalattu metalli- tai vaneripinta pölystä ja kosteudesta. Liimaa tarra kuvan 2 mukaisesti.
- Huom. Älä kiinnitä tarraa karheapintaiseen laminaattiin tai maalattuun puuhun.

**Vår produktmärkning levereras på ett av följande sätt:**

**1) Produktskylt i metall**

- Fäst skylten med de medföljande skruvarna

**2) Självhäftande produktetikett**

- Rengör den pulverlackerade metallytan eller laminatyten så att den blir fri från smuts och fukt. Fäst etiketten enligt fig. 2.
- Obs! Fäst ej etiketten på detaljer med skrovlig yta eller på målat trä.

**Product label is delivered by one of following ways:**

**1) Metal product label and screws**

- Fasten the label with screws.

**2) Label sticker**

- Clean the painted metal or plywood surface from dirt and moisture. Fasten the sticker as shown in the figure 2.
- Note. Do not attach the sticker to rough surfaced laminate or painted wood.

**La plaque d'informations produit est livrée sous l'une de ces 3 formes :**

**1) Plaque métallique et vis**

- Fixez la plaque à l'aide des vis.

**2) Etiquette autocollante**

- Avant de coller l'étiquette, nettoyez le composant métallique peint ou la plaque de contreplaqué, de toute saleté. La surface doit être sèche (voir image 2).
- Attention, ne pas coller l'étiquette sur une surface lamellé-collée irrégulière ou sur du bois peint.

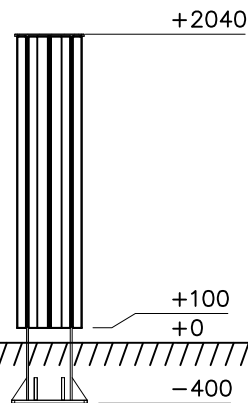
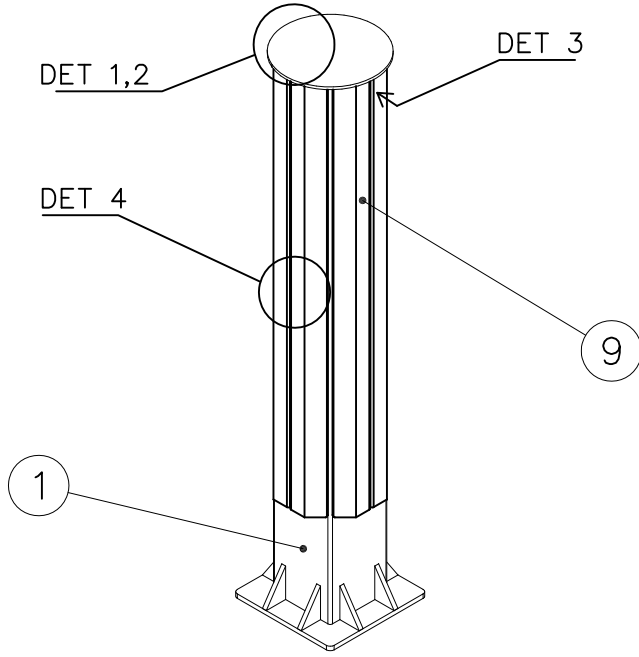
**Die Auslieferung des Produktaufklebers erfolgt auf eine dieser Arten:**

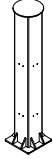
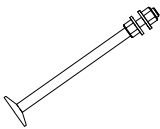
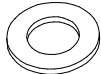
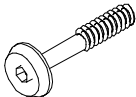
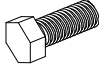
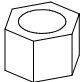
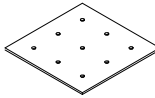


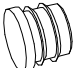
**1) Produkt-Schild aus Metall incl. Schrauben**

- Die Befestigung des Schildes erfolgt mittels der Schrauben.

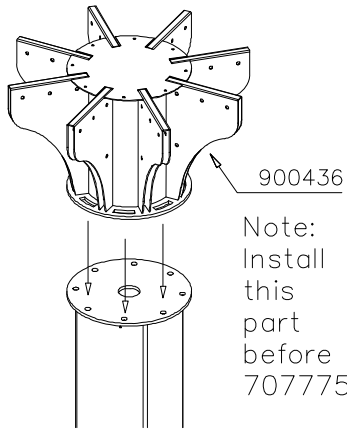
**2) Aufkleber**

- Entfernen Sie zunächst Schmutz und Feuchtigkeit vom lackierten Metall bzw. von der Holzoberfläche und bringen Sie den Aufkleber wie im Bild oben rechts beschrieben auf den gesäuberten Untergrund auf.
- Beachten Sie: Bringen Sie den Aufkleber nicht auf raues laminiertes oder lackiertes Holz an.

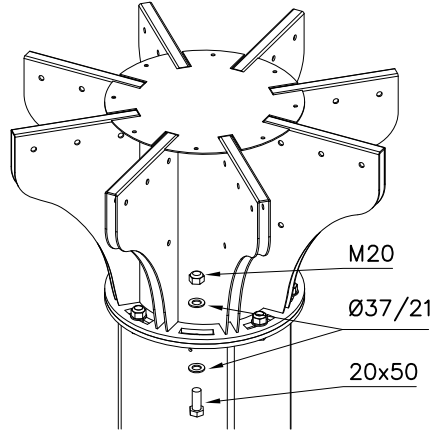


|   |     |   |     |
|---|-----|---|-----|
| ① 908378  | PCS | ② 909649  | PCS |
|    | 1   |    | 8   |
|   |     | M24x430   |     |
| ③ 909859  | PCS | ④ 909867  | PCS |
|    | 16  |    | 24  |
| Ø37/21  |     | M8x70   |     |
| ⑤ 929917  | PCS | ⑥ 929918  | PCS |
|    | 8   |    | 8   |
| M20x50  |     | M20   |     |
| ⑦ PN0247  | PCS | ⑧ 980154  | PCS |
|  | 1   |  | 24  |
| 700x700x15  |     | Ø24/13  |     |
| ⑨ 707775  | PCS | ⑩ 905066  | PCS |
|  | 8   |  | 24  |
| 63x165x1927   |     | S30H  |     |
|   | PCS |   | PCS |
|   |     |   |     |
|   | PCS |   | PCS |
|   |     |   |     |
|   | PCS |   | PCS |
|   |     |   |     |

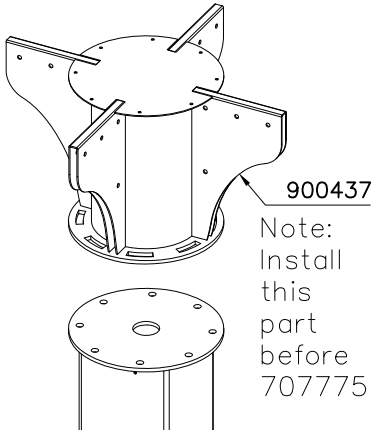
DET 1 (Big floor)



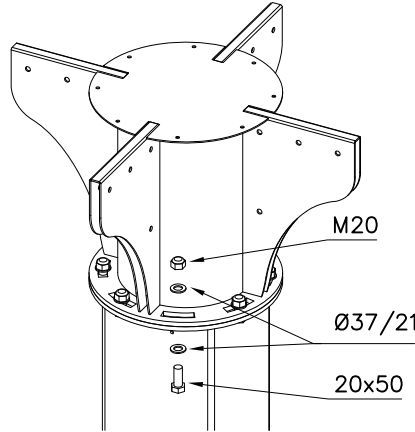
DET 2



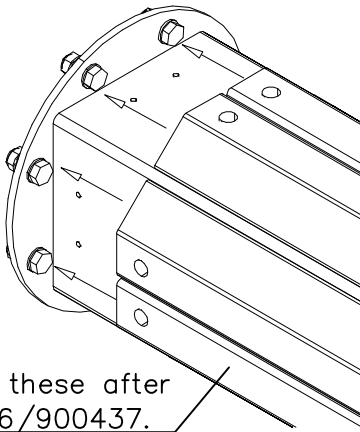
DET 1 (Small floor)



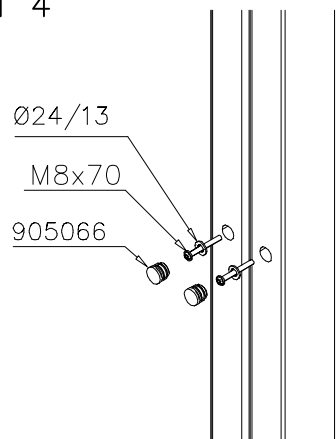
DET 2



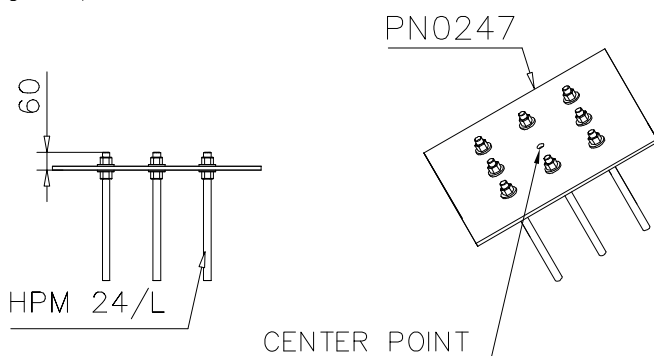
DET 3



DET 4

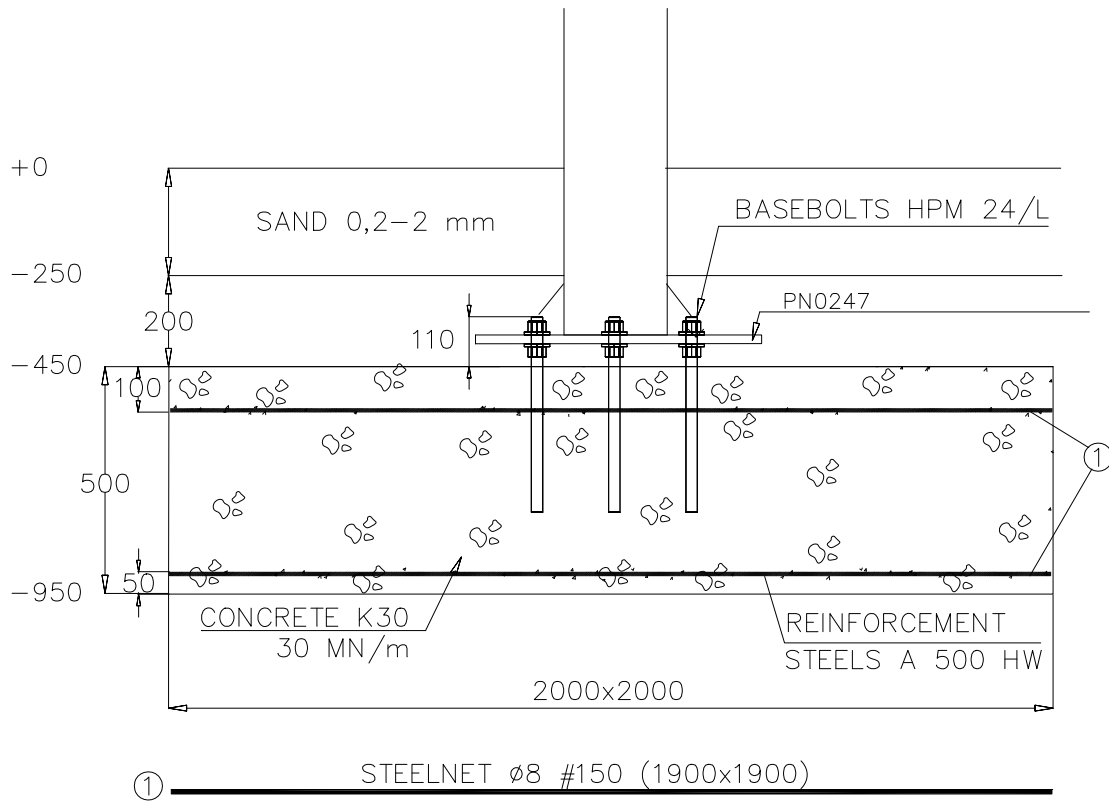


HOX! Use the plate to focus right place for the bolts

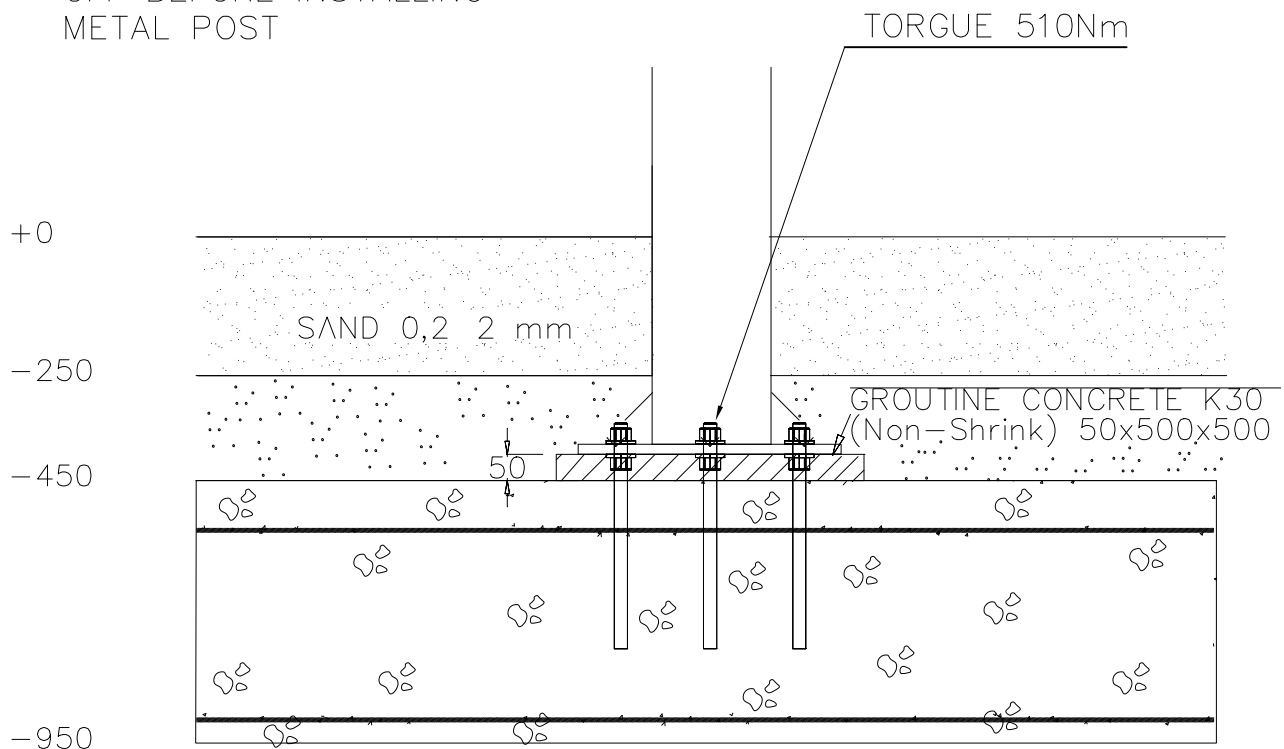


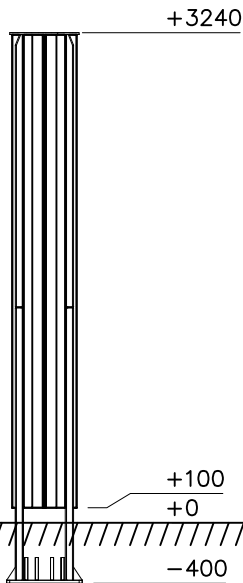
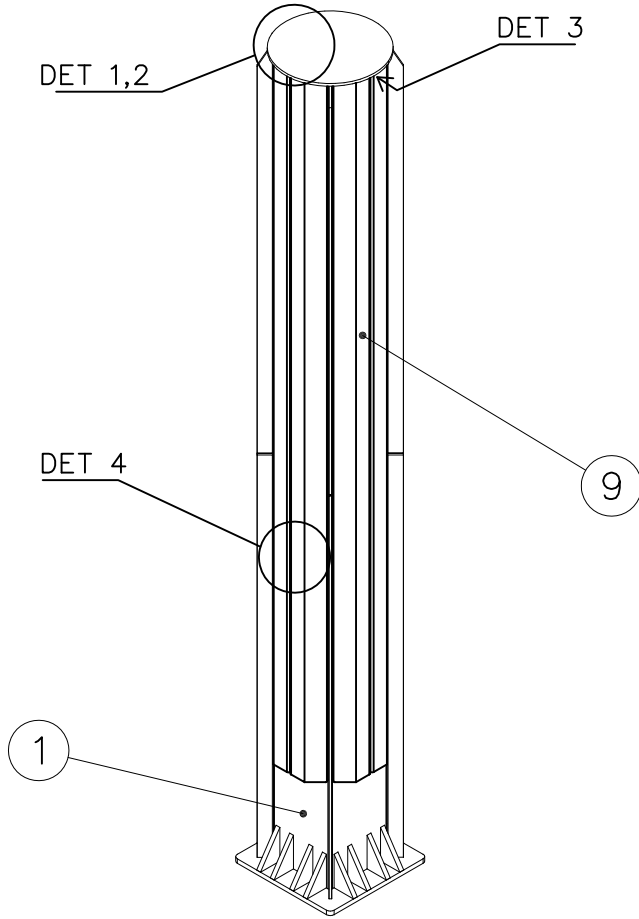



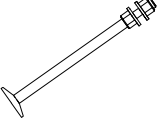

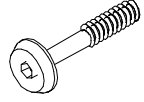
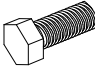
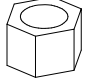
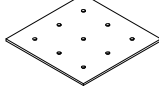


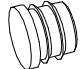
CONCRETE BLOCK SOLUTION

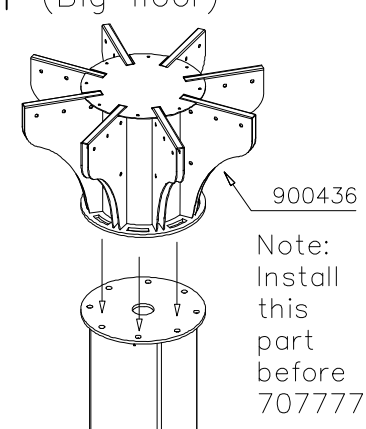
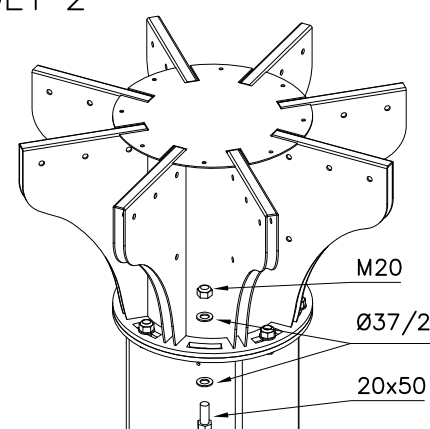
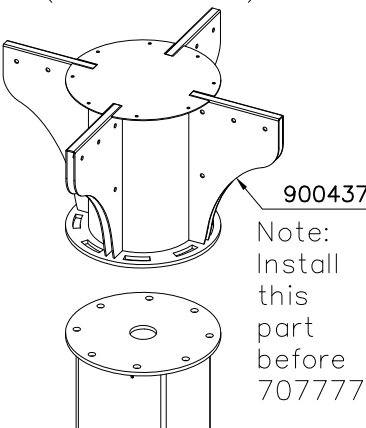
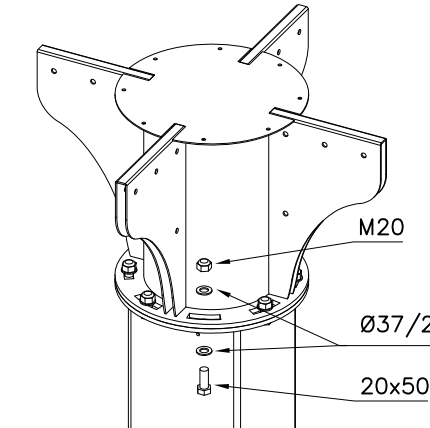
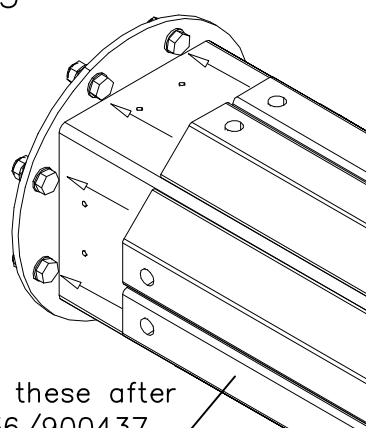
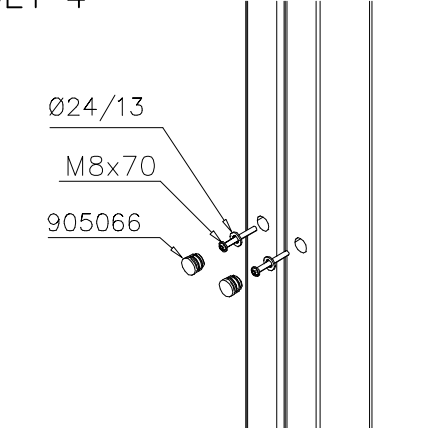


TAKE THE PLATE PN0247  
OFF BEFORE INSTALLING  
METAL POST

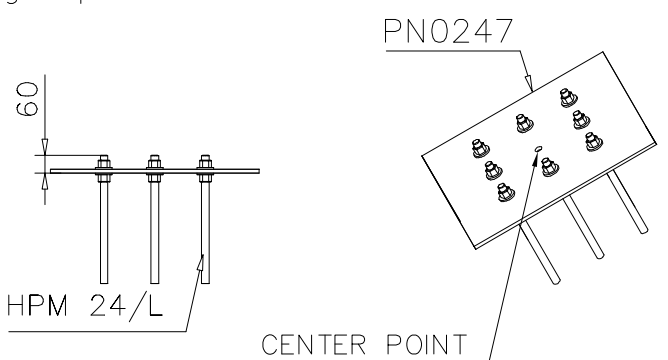




|   |     |   |     |
|---|-----|---|-----|
| ① 908380  | PCS | ② 909649  | PCS |
|    | 1   |    | 8   |
|   |     | M24x430   |     |
| ③ 909859  | PCS | ④ 909867  | PCS |
|    | 16  |    | 40  |
| Ø37/21  |     | M8x70   |     |
| ⑤ 929917  | PCS | ⑥ 929918  | PCS |
|    | 8   |    | 8   |
| M20x50  |     | M20   |     |
| ⑦ PN0247  | PCS | ⑧ 980154  | PCS |
|  | 1   |  | 40  |
| 700x700x15  |     | Ø24/13  |     |
| ⑨ 707777  | PCS | ⑩ 905066  | PCS |
|  | 8   |  | 40  |
| 63x165x3127   |     | S30H  |     |
|   | PCS |   | PCS |
|   |     |   |     |
|   | PCS |   | PCS |
|   |     |   |     |
|   | PCS |   | PCS |
|   |     |   |     |

|  |  |  |
|--|--|--|
| <p>DET 1 (Big floor)</p>  <p>900436</p> <p>Note:<br/>Install<br/>this<br/>part<br/>before<br/>707777</p>    | <p>DET 2</p>  <p>M20</p> <p>Ø37/21</p> <p>20x50</p>      |  |
| <p>DET 1 (Small floor)</p>  <p>900437</p> <p>Note:<br/>Install<br/>this<br/>part<br/>before<br/>707777</p> | <p>DET 2</p>  <p>M20</p> <p>Ø37/21</p> <p>20x50</p>     |  |
| <p>DET 3</p>  <p>NOTE!<br/>Install these after<br/>900436/900437.</p>                                     | <p>DET 4</p>  <p>Ø24/13</p> <p>M8x70</p> <p>905066</p> |  |

HOX! Use the plate to focus right place for the bolts



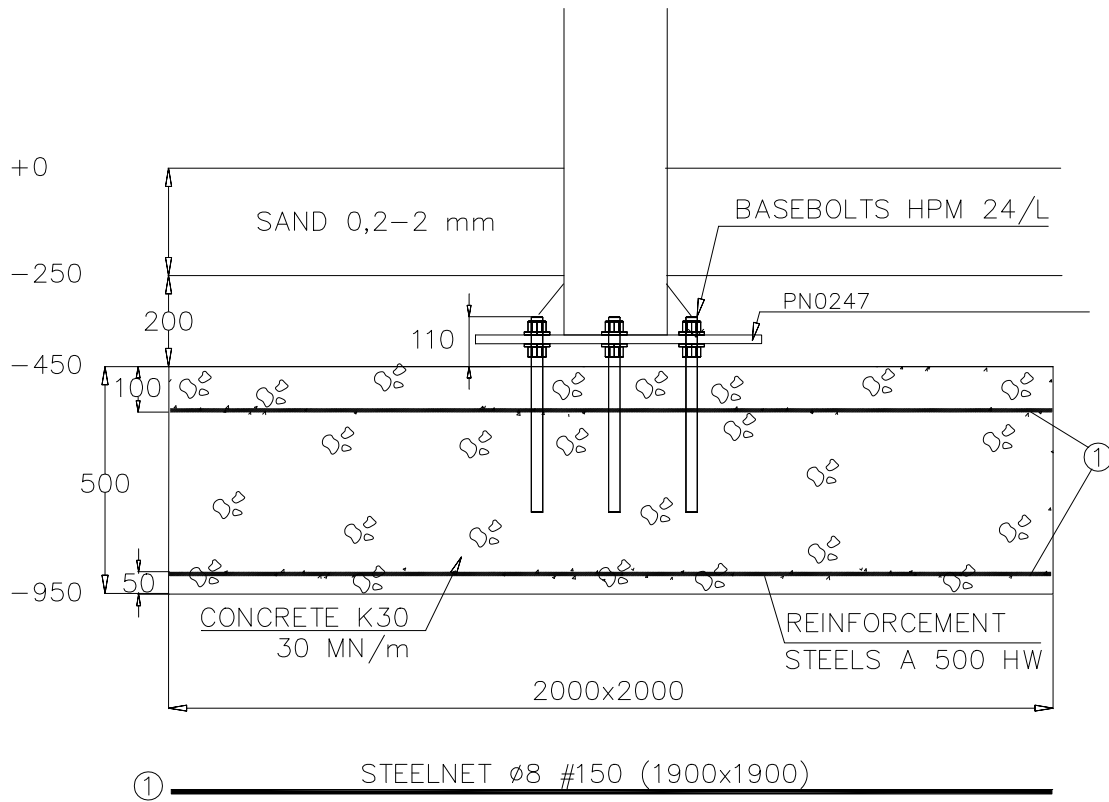
60

HPM 24/L

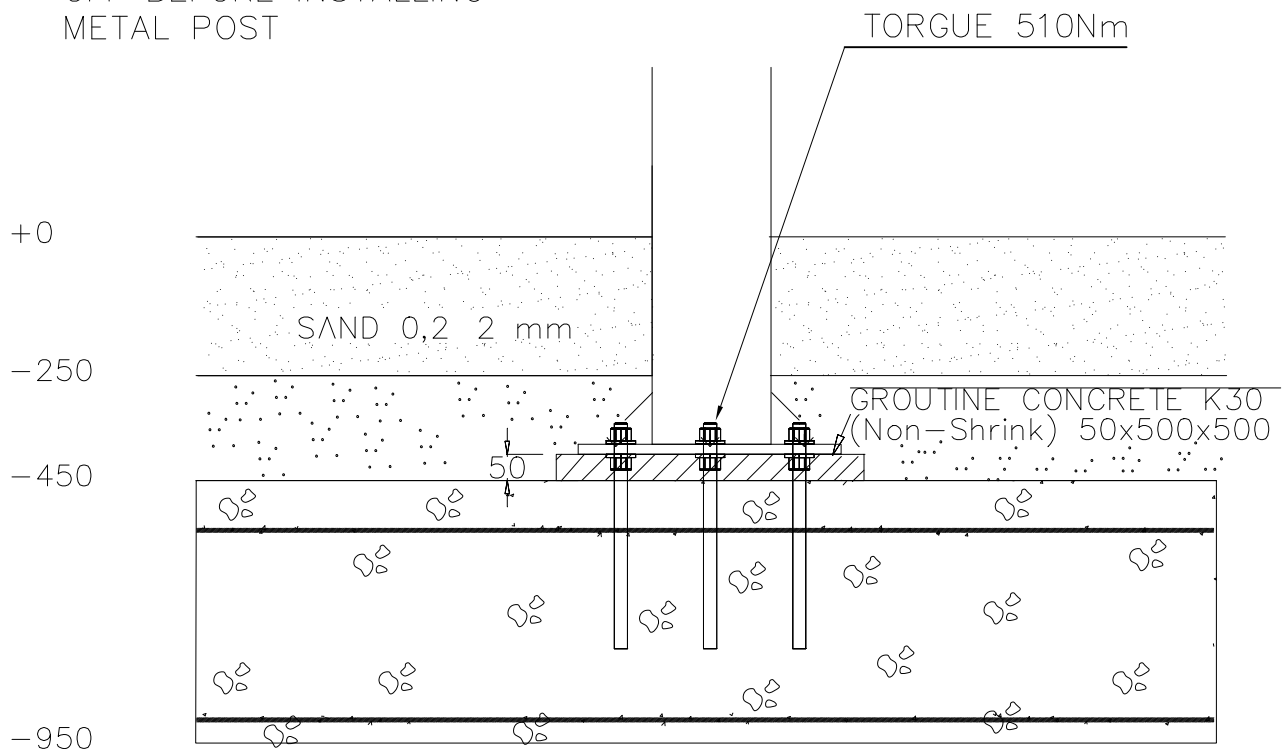
PN0247

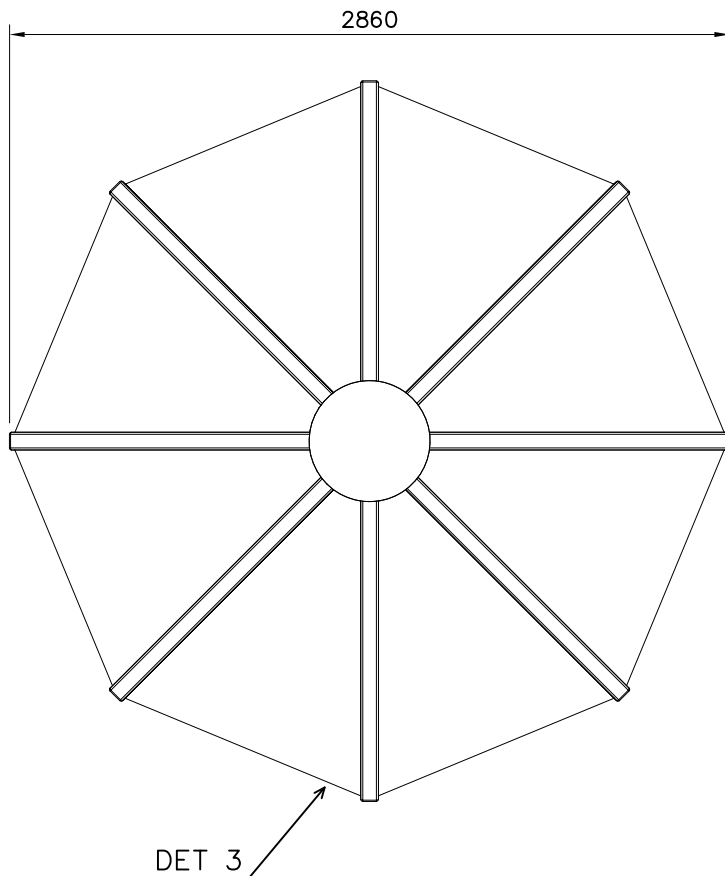
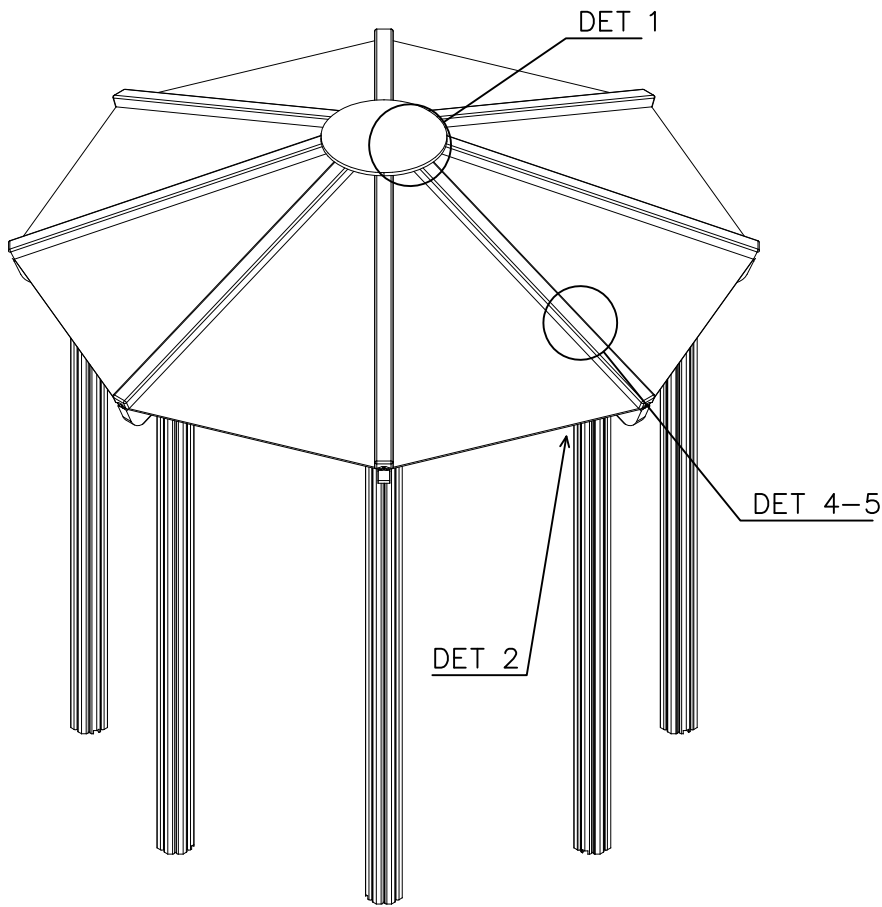
CENTER POINT




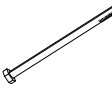




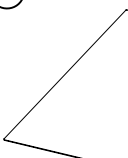
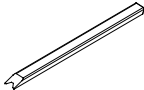



CONCRETE BLOCK SOLUTION



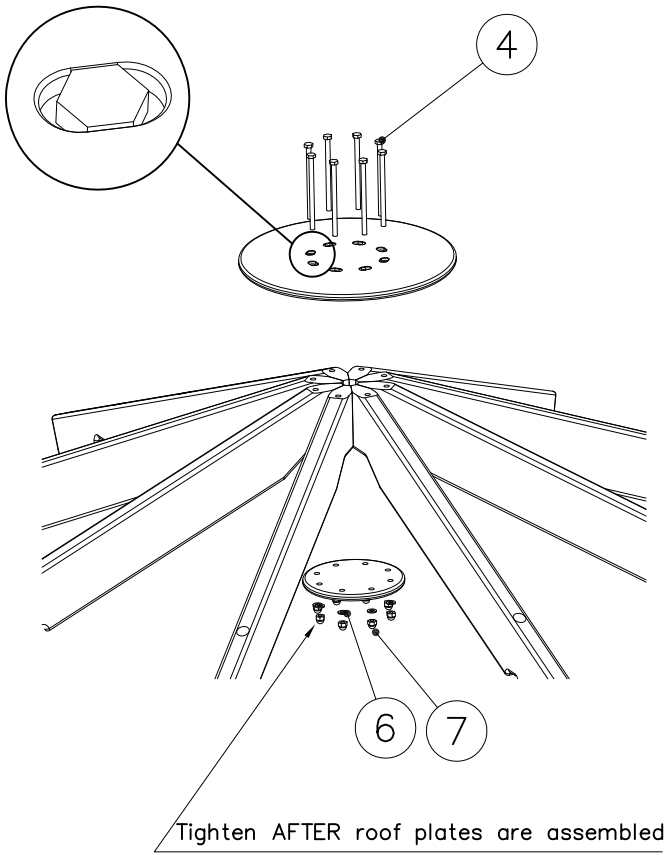
TAKE THE PLATE PN0247  
OFF BEFORE INSTALLING  
METAL POST



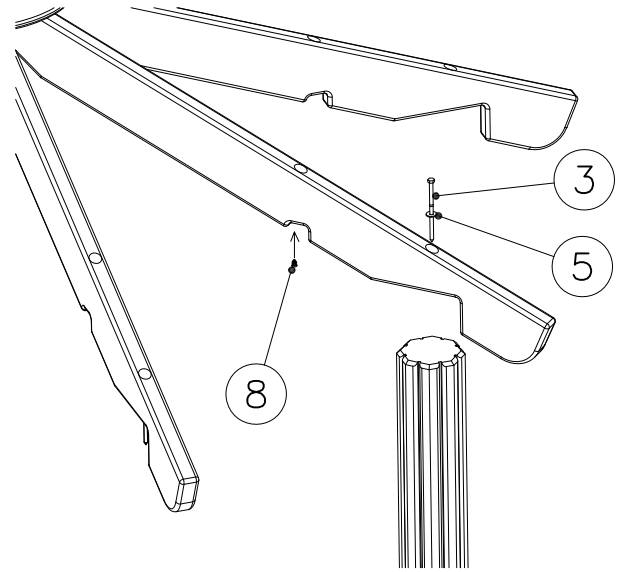


|   |   |     |   |   |     |
|---|---|-----|---|---|-----|
| ① | 980100  | PCS | ② | 980104  | PCS |
|   |   | 48  |   |   | 32  |
|   |    |     |   |    |     |
|   | Ø5x60   |     |   | Ø5x90   |     |
| ③ | 909230  | PCS | ④ | 900208  | PCS |
|   |   | 8   |   |   | 8   |
|   |    |     |   |    |     |
|   | 8x150   |     |   | M10x170   |     |
| ⑤ | 905051  | PCS | ⑥ | 901302  | PCS |
|   |   | 8   |   |   | 8   |
|   |    |     |   |    |     |
|   | Ø24/8.4   |     |   | Ø20/10.5  |     |
| ⑦ | 900965  | PCS | ⑧ | 903533  | PCS |
|   |   | 8   |   |   | 8   |
|   |  |     |   |  |     |
|   | M10   |     |   | SRL12 TO Ø9   |     |
|   |   | PCS |   |   | PCS |
|   |   |     |   |   |     |
| ○ | 707667  | PCS | ○ | 707688  | PCS |
|   |   | 8   |   |   | 8   |
|   |  |     |   |  |     |
|   | 10x1295x1075  |     |   | 45x70x1385  |     |
| ○ | 707689  | PCS | ○ | 707691  | PCS |
|   |   | 8   |   |   | 1   |
|   |  |     |   |  |     |
|   | 45x145x1495   |     |   | 15xØ480   |     |
| ○ | 707692  | PCS |   |   | PCS |
|   |   | 1   |   |   |     |
|   |  |     |   |   |     |
|   | 15xØ225   |     |   |   |     |

DET 1

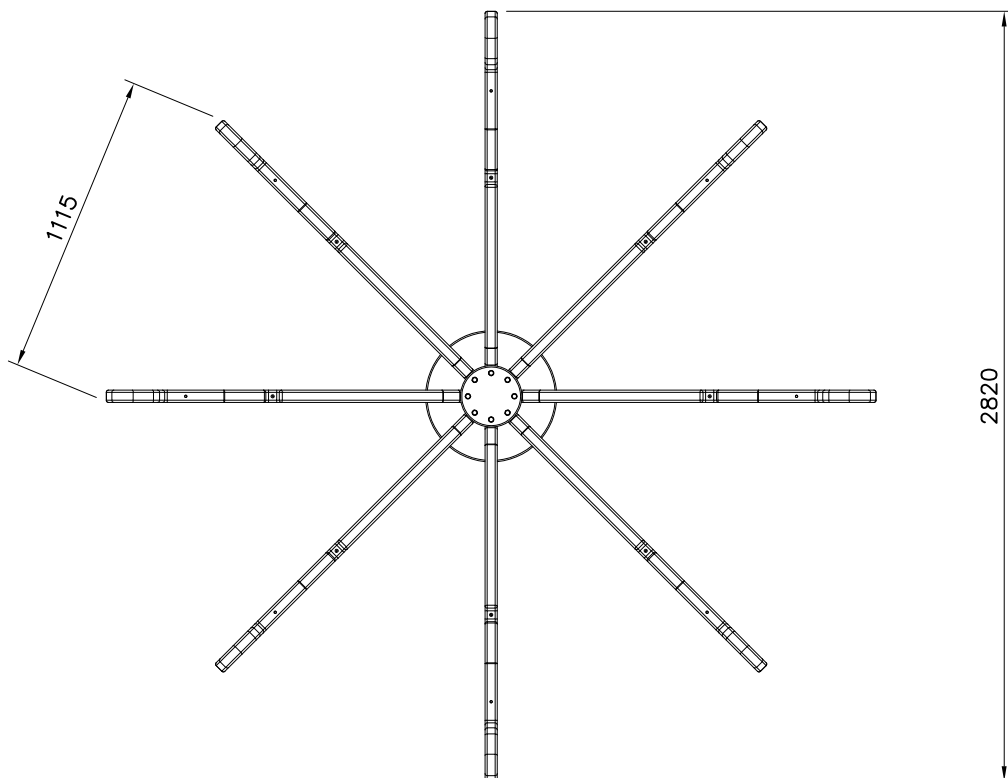


DET 2

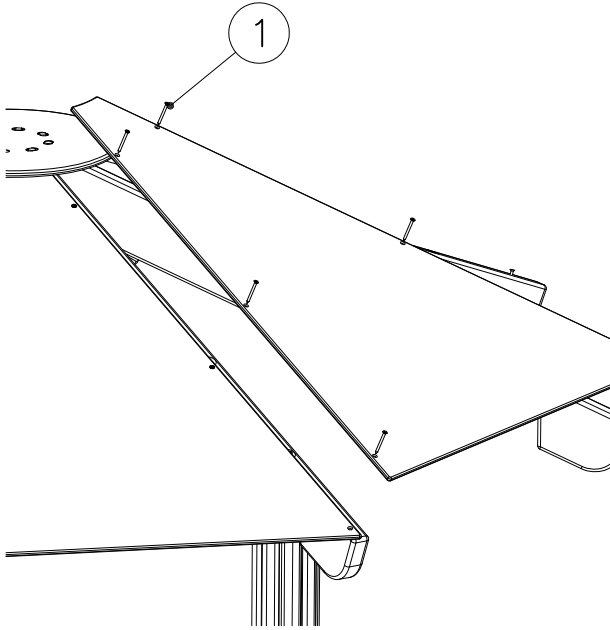


DET 3

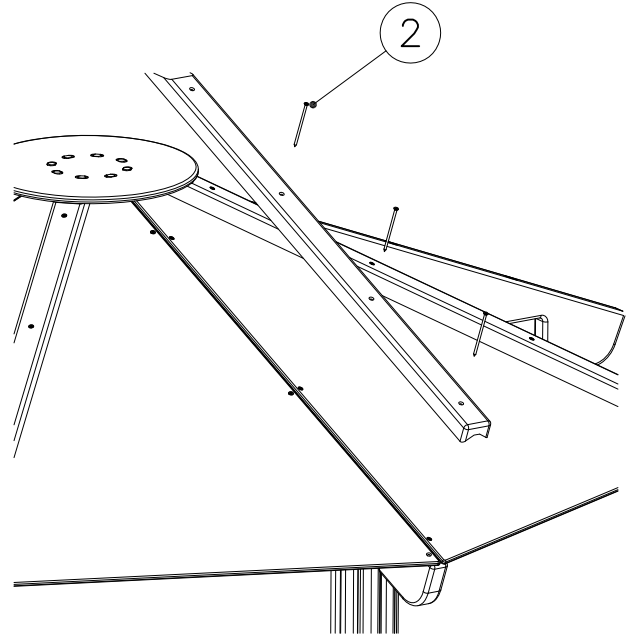
Check measures



DET 4



DET 5

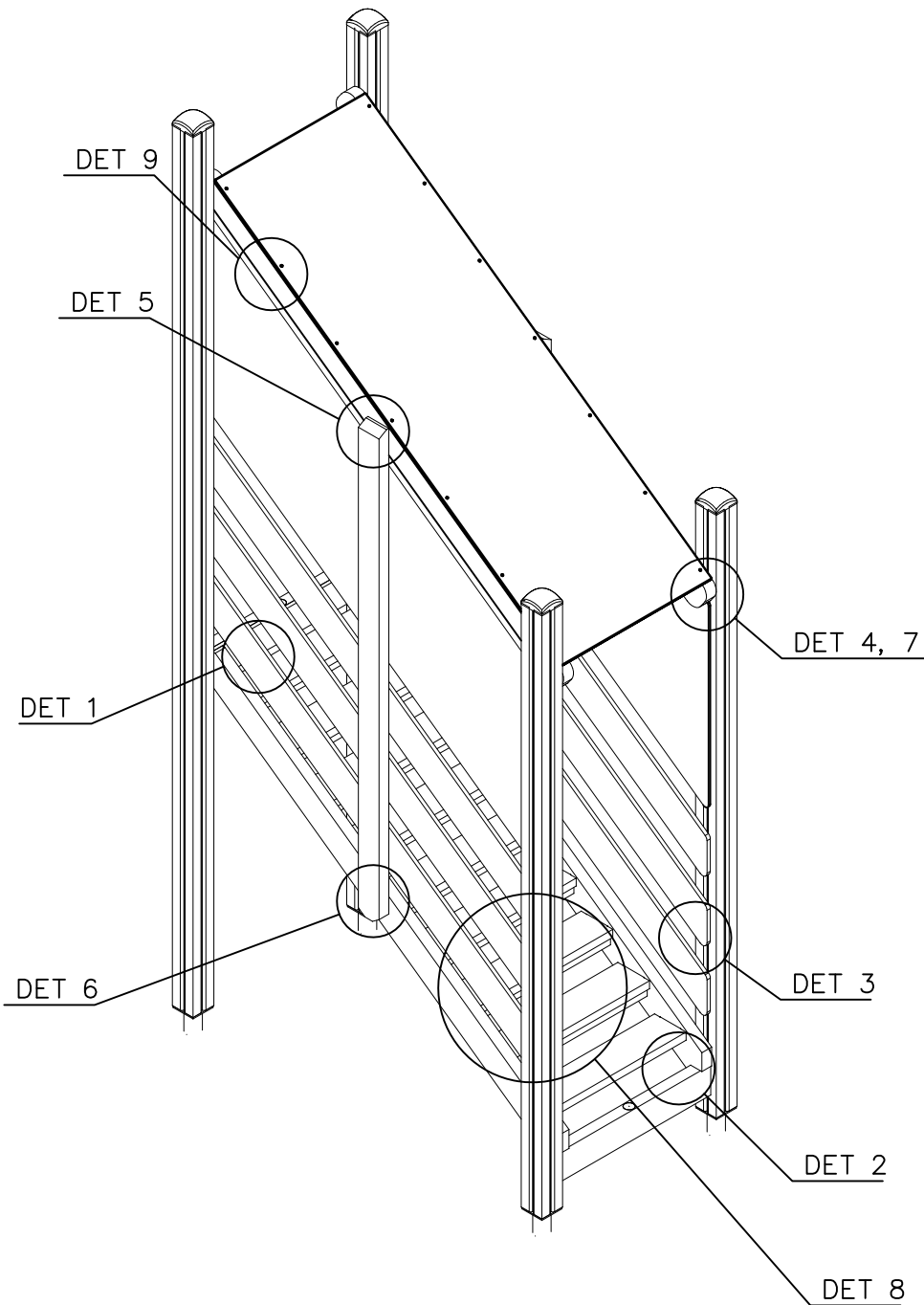


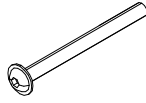
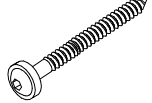
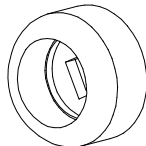
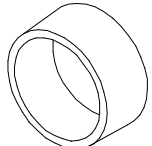
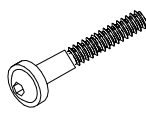

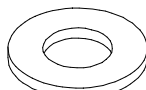
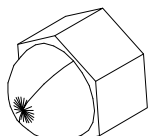
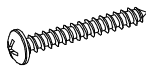
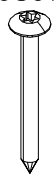

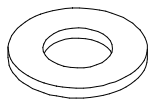
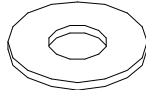

# LAPPSET® FASTENER KIT

# 707871

DATE: 3.10.2017

# 1(4)



|   |           |   |           |
|---|-----------|---|-----------|
| ① 900859  | PCS<br>2  | ② 903093  | PCS<br>2  |
|    |           |    |           |
| M8x90   |           | Ø8x90   |           |
| ③ 905083  | PCS<br>4  | ④ 905112  | PCS<br>4  |
|    |           |    |           |
| Ø32   |           | Ø22   |           |
| ⑤ 909117  | PCS<br>2  | ⑥ 909233  | PCS<br>4  |
|    |           |    |           |
| M8x100  |           | Ø8x100  |           |
| ⑦ 909256  | PCS<br>22 | ⑧ 909633  | PCS<br>4  |
|  |           |  |           |
| Ø16/8.4x1.6   |           | M8  |           |
| ⑨ 980106  | PCS<br>30 | ⑩ 980123  | PCS<br>52 |
|  |           |  |           |
| Ø5x40   |           | Ø7x60   |           |
| ⑪ 980128  | PCS<br>9  | ⑫ 980151  | PCS<br>4  |
|  |           |  |           |
| Ø7x40   |           | Ø16/8.4   |           |
| ⑬ 980152  | PCS<br>6  | ⑭ 980158  | PCS<br>30 |
|  |           |  |           |
| Ø24/8.4x2   |           | Ø12/6.4   |           |
|   | PCS       |   | PCS       |

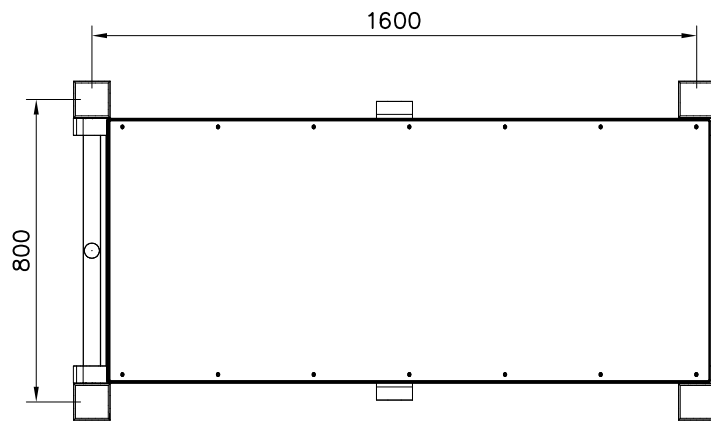
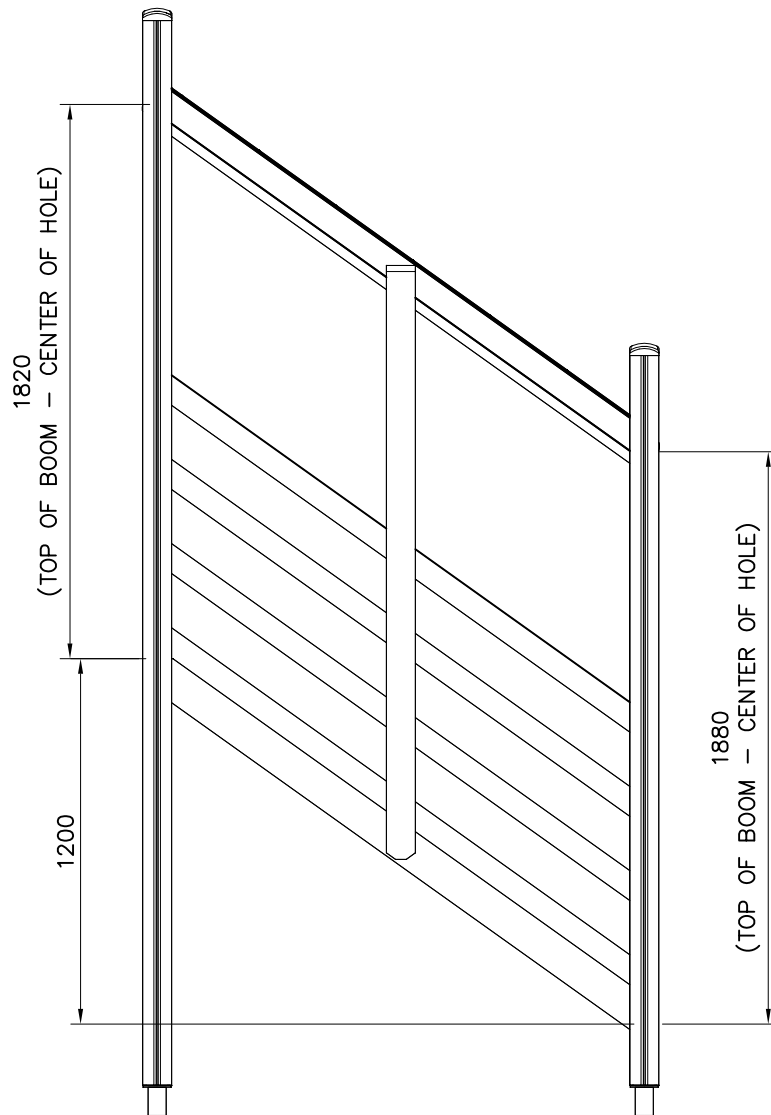


**LAPPSET®**  
**FASTENER KIT**

**707871**

DATE: 3.10.2017

**2(4)**



# LAPPSET®

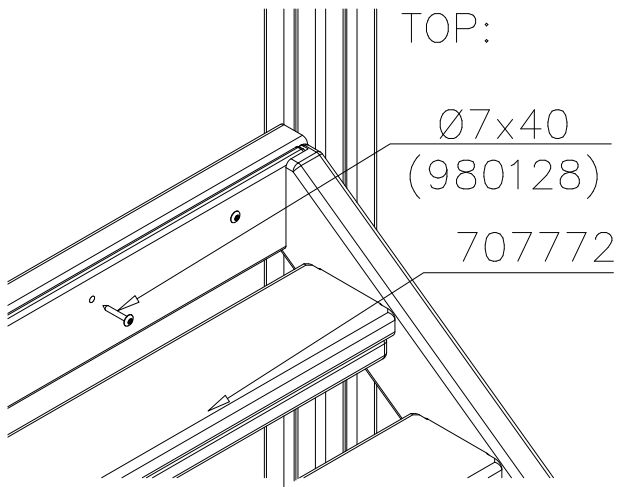
## FASTENER KIT

# 707871

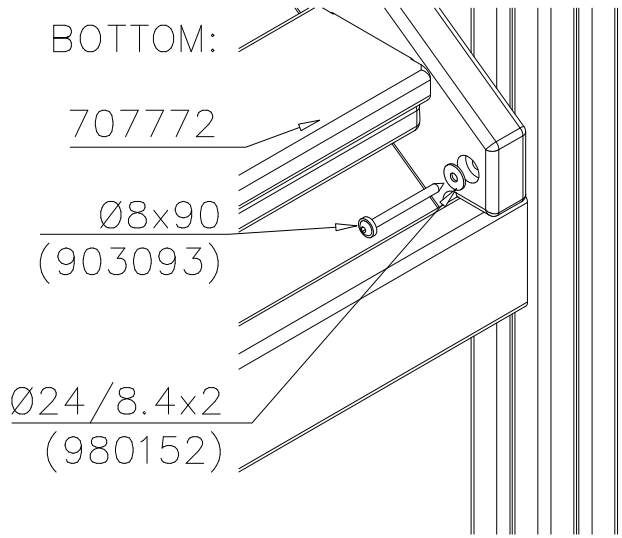
DATE: 3.10.2017

3(4)

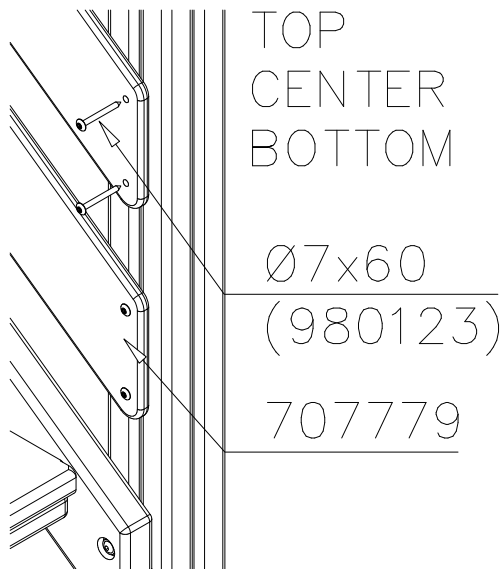
DET 1



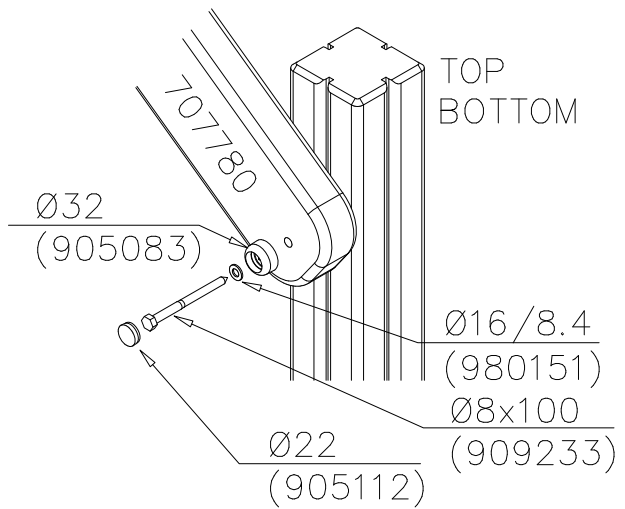
DET 2



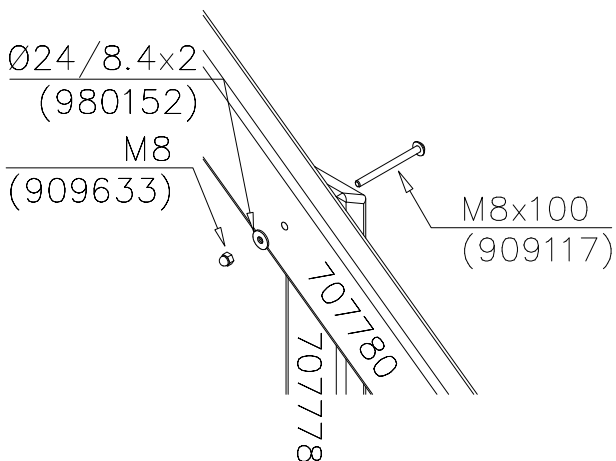
DET 3



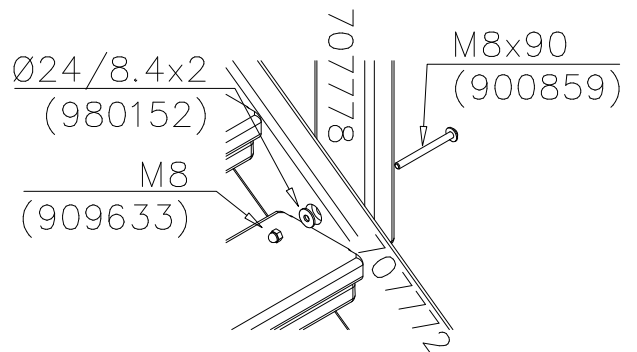
DET 4



DET 5



DET 6



# LAPPSET®

## FASTENER KIT

# 707871

DATE: 3.10.2017

**4(4)**

|  |   |  |  |
|--|---|--|--|
| <p>DET 7</p> <p> <math>\varnothing 5 \times 40</math><br/>(980106)<br/> <math>\varnothing 12 / 6.4</math><br/>(980158)<br/> <math>\varnothing 16 / 8.4 \times 1.6</math><br/>(909256)<br/> <math>\varnothing 7 \times 60</math> (post)<br/> <math>\varnothing 7 \times 40</math> (center)         </p> |   | <p>DET 8</p> <p>707779<br/>CENTER<br/>MOUNTING<br/>HOLES ON THE<br/>BOTTOM</p> |  |
| <p>DET 9</p> <p> <math>\varnothing 12 / 6.4</math><br/>(980158)<br/> <math>\varnothing 5 \times 40</math><br/>(980106)         </p>  |   |  |  |
| <p>BOOM OPTIONS</p>  |   | <p>BOOM OPTIONS</p>  |  |
| <p>707772</p> <p>700x120x2000</p>  | <p>707772-602 DARK BROWN<br/>707772-603 LIGHT BROWN<br/>707772-604 LIGHT GRAY</p> | <p>707780</p> <p>45x120x2045</p>   | <p>707780-602 DARK BROWN<br/>707780-603 LIGHT BROWN<br/>707780-604 LIGHT GRAY</p>  |
| <p>BOOM OPTIONS</p>  |   | <p>HPL OPTIONS</p>   |  |
| <p>707778</p> <p>45x95x1950</p>  | <p>707778-602 DARK BROWN<br/>707778-603 LIGHT BROWN<br/>707778-604 LIGHT GRAY</p> | <p>707779</p> <p>15x145x2086</p>   | <p>707779-701 BLUE<br/>707779-702 YELLOW<br/>707779-703 LIME<br/>707779-704 DARK GRAY<br/>707779-705 GRAY<br/>707779-706 RED<br/>707779-707 GREEN<br/>707779-708 FUXIA</p> |

# LAPPSET® FASTENER KIT

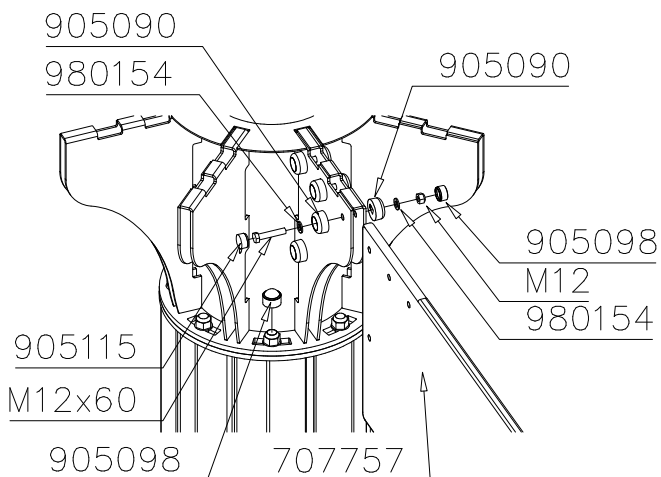
# 707872

DATE: 8.7.2016

# 1(2)

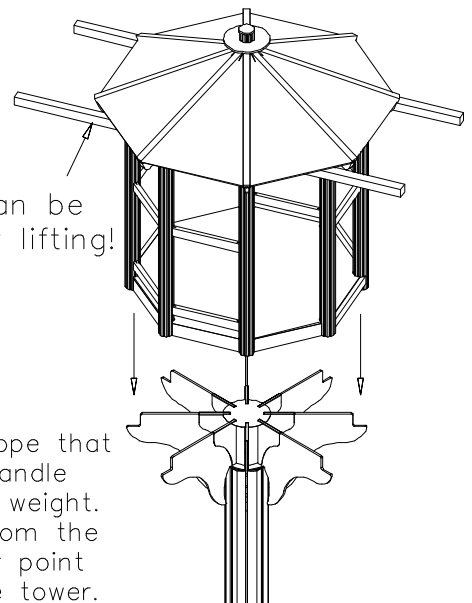
|                              |                           |                              |                              |
|------------------------------|---------------------------|------------------------------|------------------------------|
| ① 900477<br>M12x60<br>PCS 32 | ② 905083<br>Ø32<br>PCS 8  |                              |                              |
| ③ 905090<br>Ø45<br>PCS 64    | ④ 905098<br>M20<br>PCS 8  |                              |                              |
| ⑤ 905112<br>Ø22<br>PCS 8     | ⑥ 905115<br>Ø30<br>PCS 64 |                              |                              |
| ⑦ 905857<br>M8x35<br>PCS 8   | ⑧ 909248<br>M12<br>PCS 32 |                              |                              |
| ⑨ 980100<br>Ø5x60<br>PCS 15  | ⑩ 980150<br>M8<br>PCS 8   | ⑪ 980151<br>Ø16/8.4<br>PCS 8 | ⑫ 980154<br>Ø24/13<br>PCS 64 |

DET 1



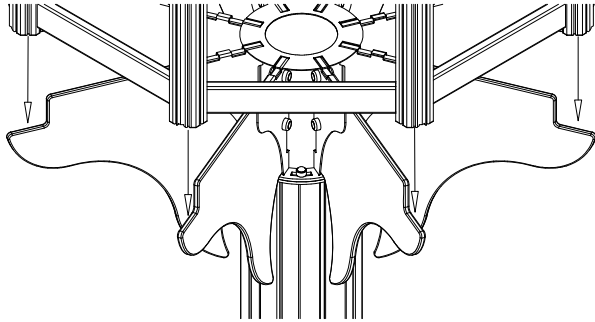
DET 2

Posts can be used for lifting!

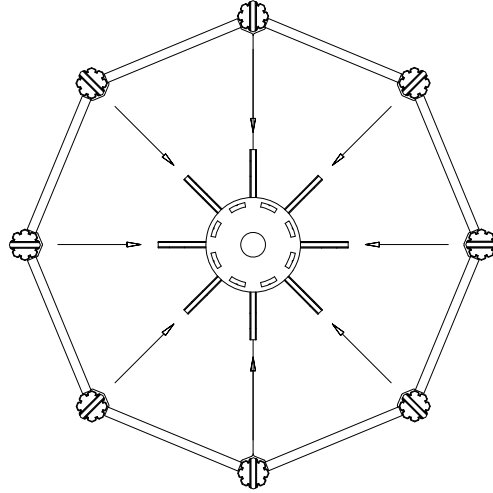


**NOTE!**  
Use rope that can handle heavy weight. Lift from the center point of the tower.

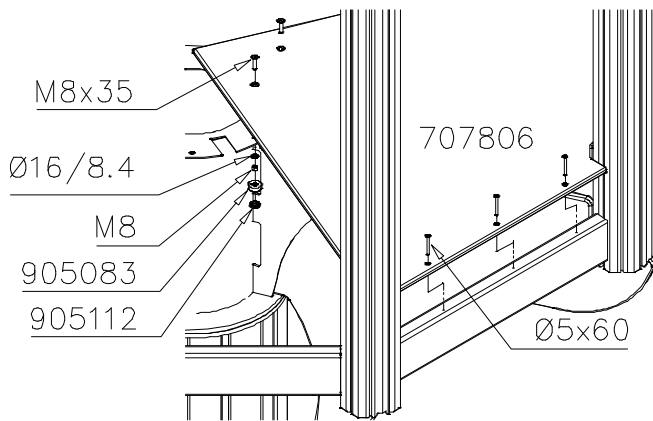
DET 3

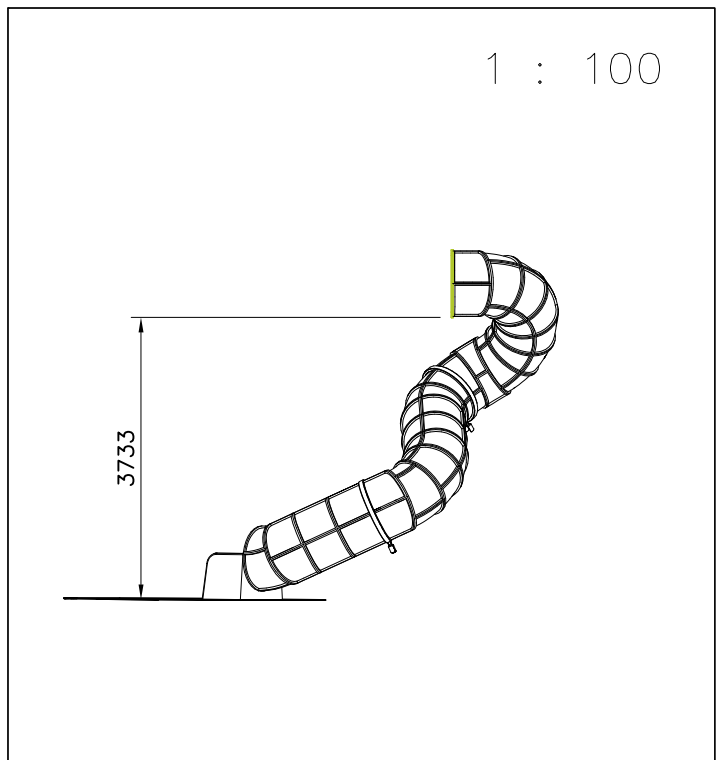
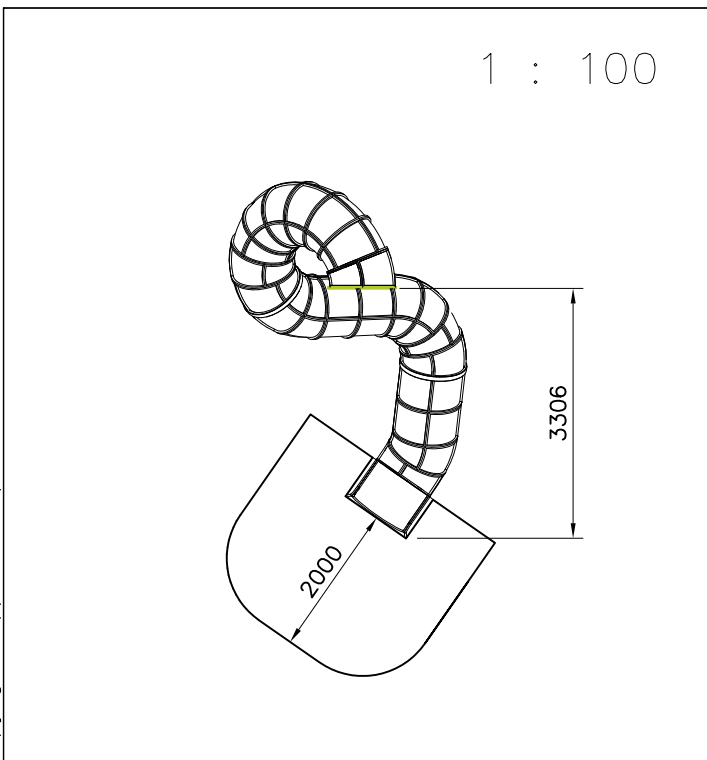
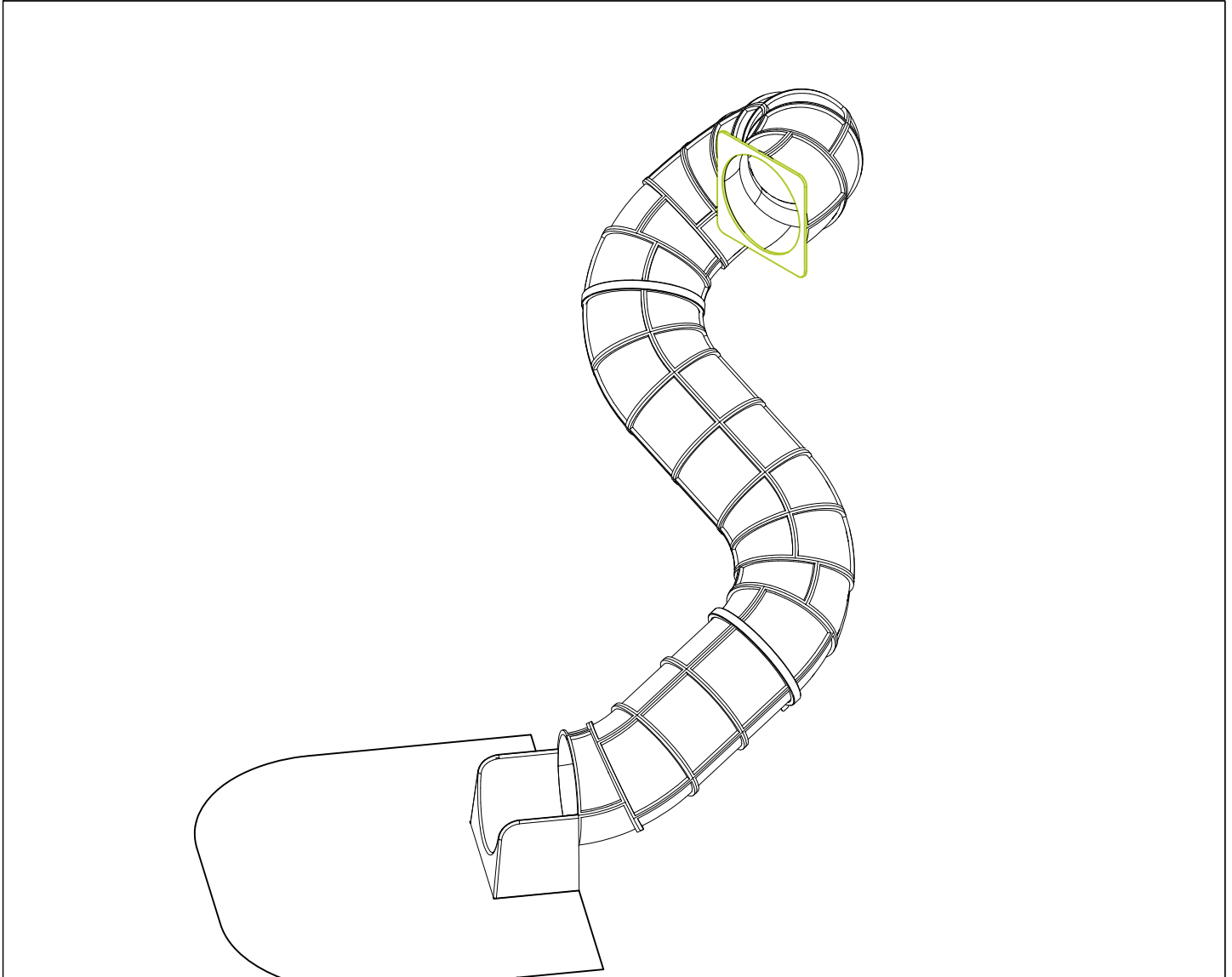


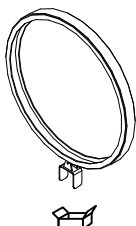
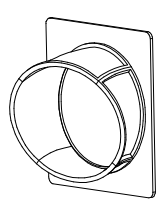
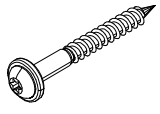
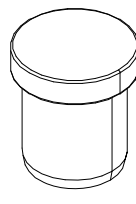

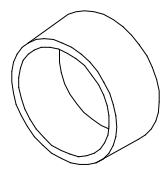
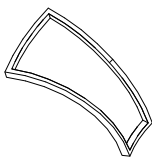
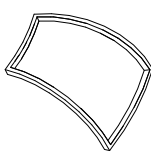
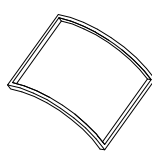
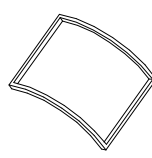

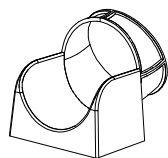

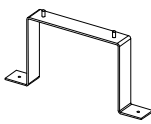



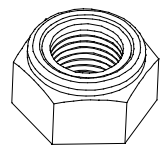
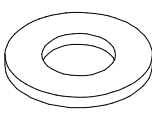
NOTE! Make sure that the groove in bottom of post is in right position.

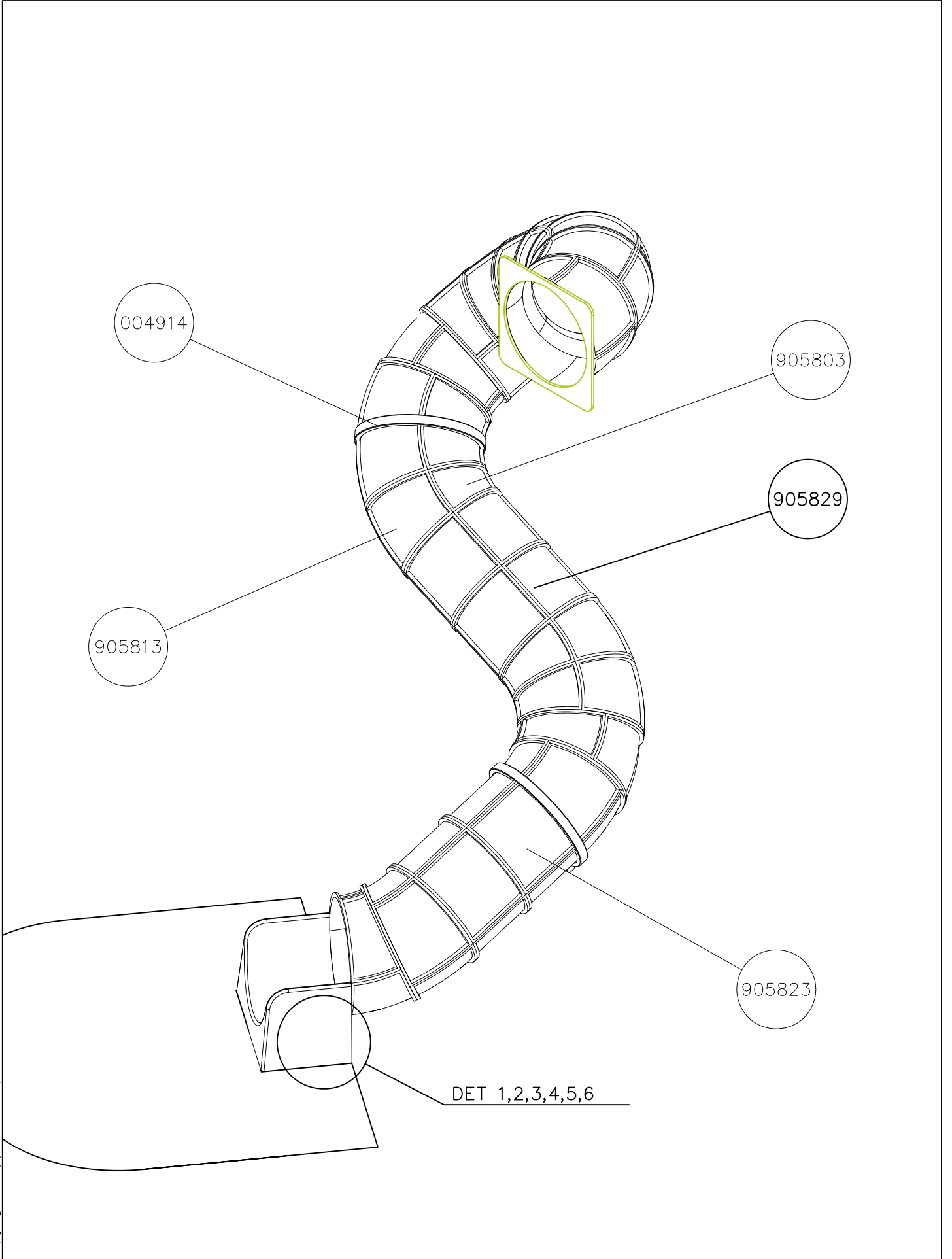


DET 4

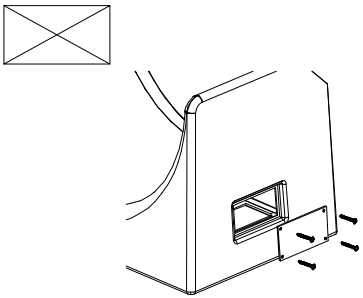
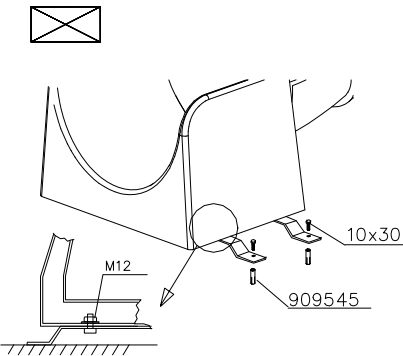
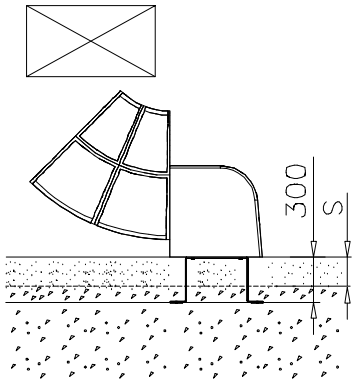
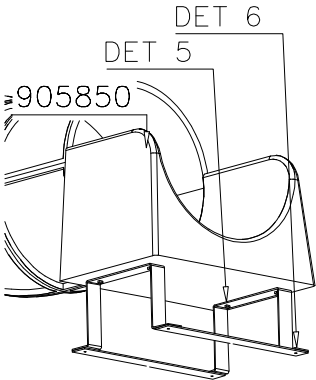
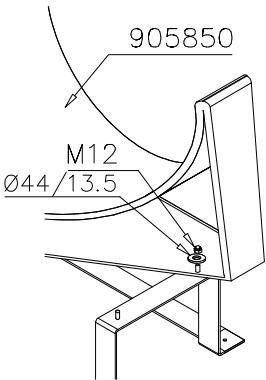
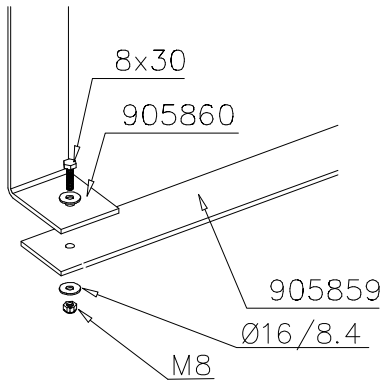


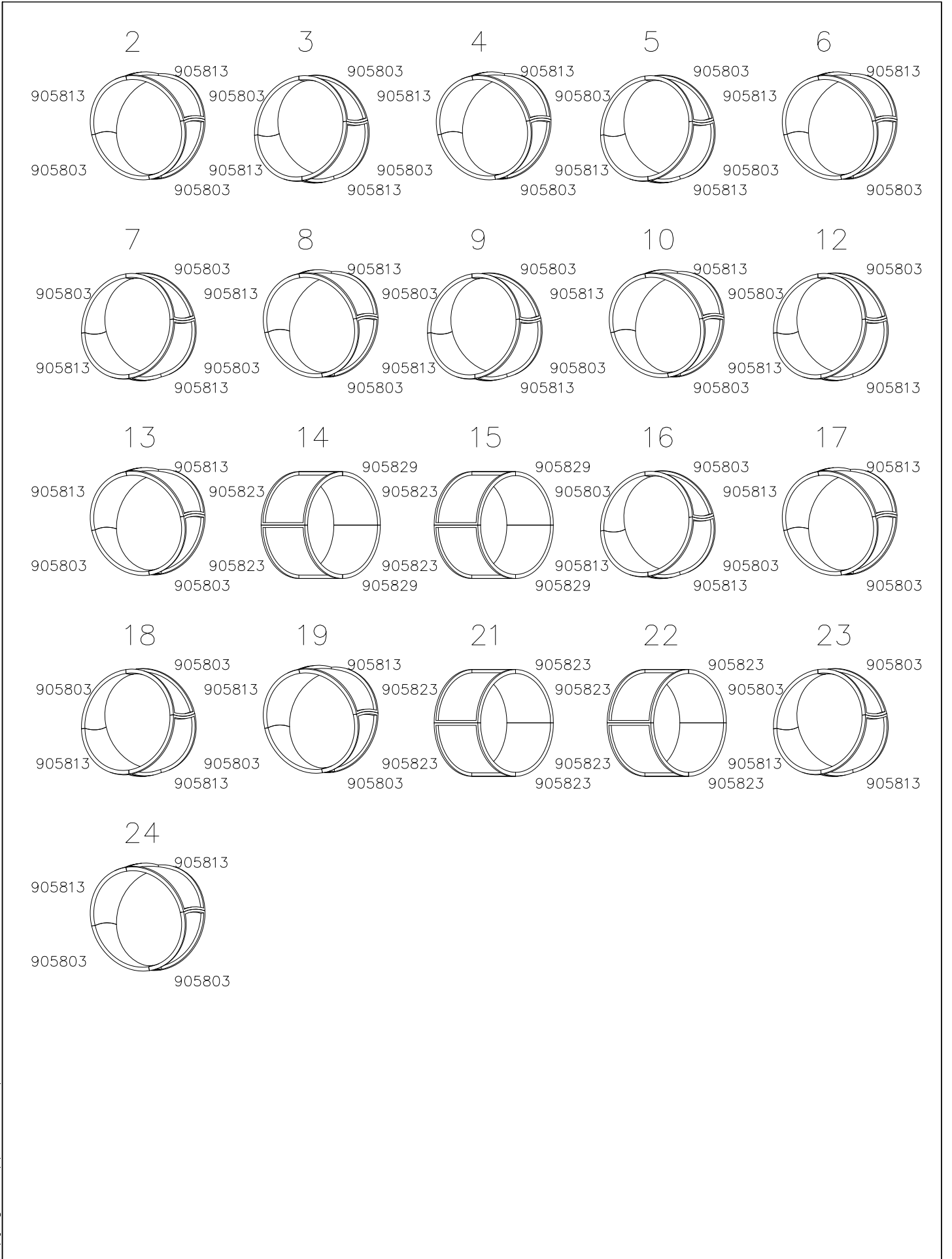


|  |  |  |  |   |   |
|--|--|--|--|---|---|
| 004914<br><br>PCS<br>2              | 707918-703<br><br>PCS<br>1        | 900240<br><br>PCS<br>14<br>Ø8x70  | 903533<br><br>PCS<br>6<br>SRL12       | 905086<br><br>PCS<br>4<br>Ø44/13.5 | 905112<br><br>PCS<br>1040<br>BLACK Ø22 |
| 905803<br><br>PCS<br>30<br>YELLOW   | 905813<br><br>PCS<br>30<br>YELLOW | 905823<br><br>PCS<br>12<br>YELLOW | 905829<br><br>PCS<br>4<br>TRANSPARENT | 905831<br><br>PCS<br>976<br>BLACK  | 905850<br><br>PCS<br>1                 |
| 905859<br><br>PCS<br>2<br>6x80x850  | 905860<br><br>PCS<br>2            | 909205<br><br>PCS<br>488<br>8x60  | 909248<br><br>PCS<br>4<br>M12         | 909274<br><br>PCS<br>4<br>8x30     | 980150<br><br>PCS<br>492<br>M8         |
| 980151<br><br>PCS<br>8<br>Ø16/8.4 |  |  |  |   |   |
|  |  |  |  |   |   |
|  |  |  |  |   |   |
|  |  |  |  |   |   |





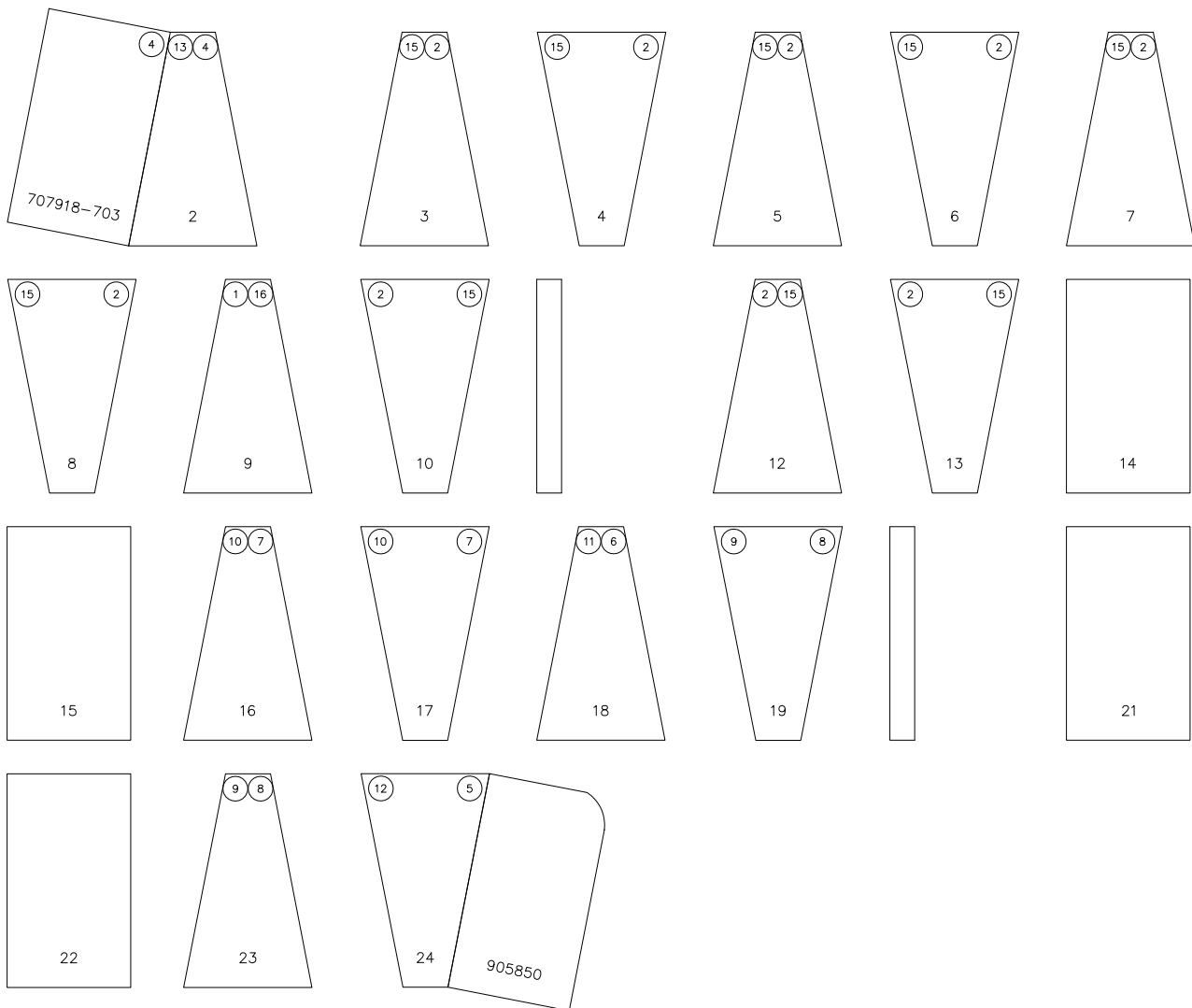
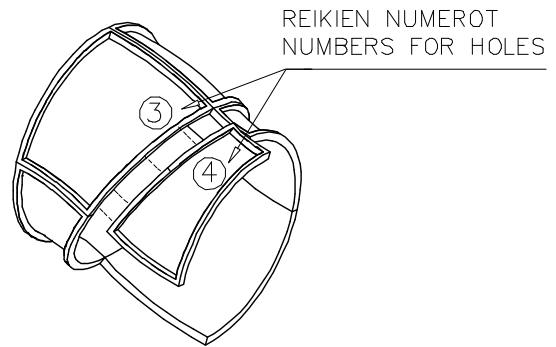
|   |  |  |
|---|--|--|
| <p>DET 1</p>  <p>Access- and maintenance panel. Asennus- ja huolto luukku.</p> | <p>DET 2</p>  <p>10x30<br/>909545</p>            | <p>DET 3</p>  <p>300<br/>S</p>                                      |
| <p>DET 4</p>  <p>DET 6<br/>DET 5<br/>905850</p>                               | <p>DET 5</p>  <p>905850<br/>M12<br/>Ø44/13.5</p> | <p>DET 6</p>  <p>8x30<br/>905860<br/>905859<br/>Ø16/8.4<br/>M8</p> |
|   |  |  |
|   |  |  |



### Esimerkki putken kokoamisesta Example of installation

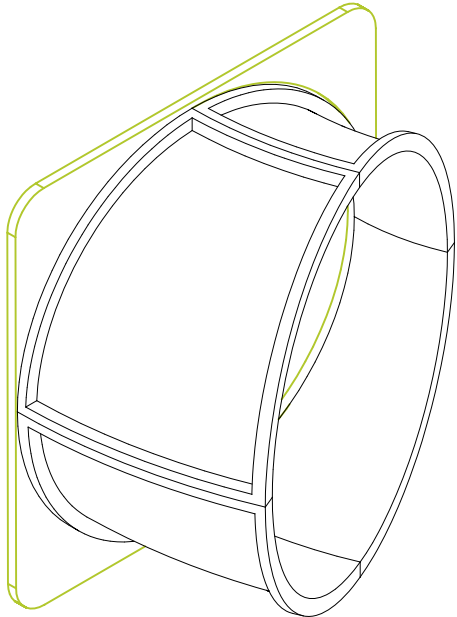
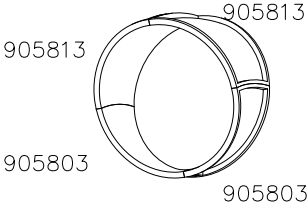
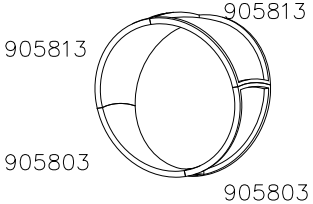



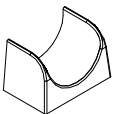





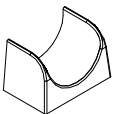

















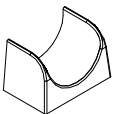








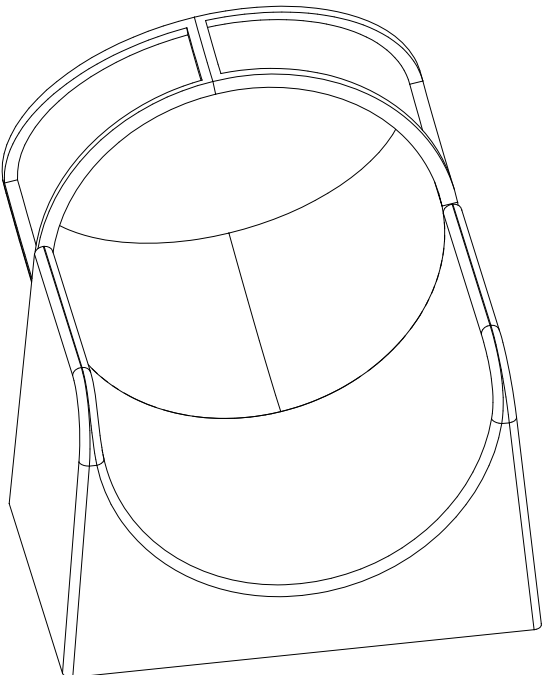
**LIUKUPINTAAN EI SAA TULLA  
LÄPINÄKYVIÄ MODUULEJA!!**

**NO TRANSPARENT PIECES ON  
SLIDING SURFACE!!**



**Valmiiksi kasattujen osien osakokoonpanot ja vara-osa listat.**

**Ready installed component subassemblies and spare part list.**

|  |  |  |  |   |   |   |  |   |   |   |  |  |  |
|--|--|--|--|---|---|---|--|---|---|---|--|--|--|
|    | <p>2</p>                       |  |  |   |   |   |  |   |   |   |  |  |  |
| <p>24</p>  <table border="1" data-bbox="172 1724 746 2101"> <tr> <td>909205 x 16<br/>909206 x 8<br/></td> <td>980150 x 16<br/></td> <td>905831 x 32<br/></td> </tr> <tr> <td>905850<br/></td> <td>909208 x 8<br/></td> <td>980151 x 8<br/></td> </tr> </table> <p>Position of the box: 99 degrees</p> | 909205 x 16<br>909206 x 8<br> | 980150 x 16<br>   | 905831 x 32<br> | 905850<br> | 909208 x 8<br> | 980151 x 8<br> | <table border="1" data-bbox="896 936 1468 1310"> <tr> <td>707918-703<br/></td> <td>909205 x 8<br/></td> <td>980150 x 8<br/></td> </tr> <tr> <td>905831 x 32<br/></td> <td>909208 x 16<br/></td> <td>909119 x 16<br/></td> </tr> </table> | 707918-703<br> | 909205 x 8<br> | 980150 x 8<br> | 905831 x 32<br> | 909208 x 16<br> | 909119 x 16<br> |
| 909205 x 16<br>909206 x 8<br>   | 980150 x 16<br>               | 905831 x 32<br>   |  |   |   |   |  |   |   |   |  |  |  |
| 905850<br>  | 909208 x 8<br>                | 980151 x 8<br>    |  |   |   |   |  |   |   |   |  |  |  |
| 707918-703<br>  | 909205 x 8<br>              | 980150 x 8<br>  |  |   |   |   |  |   |   |   |  |  |  |
| 905831 x 32<br>   | 909208 x 16<br>             | 909119 x 16<br> |  |   |   |   |  |   |   |   |  |  |  |
|  |                              |  |  |   |   |   |  |   |   |   |  |  |  |