

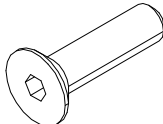
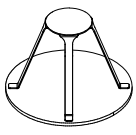

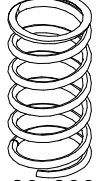
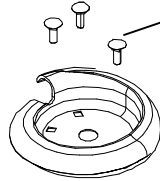


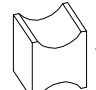
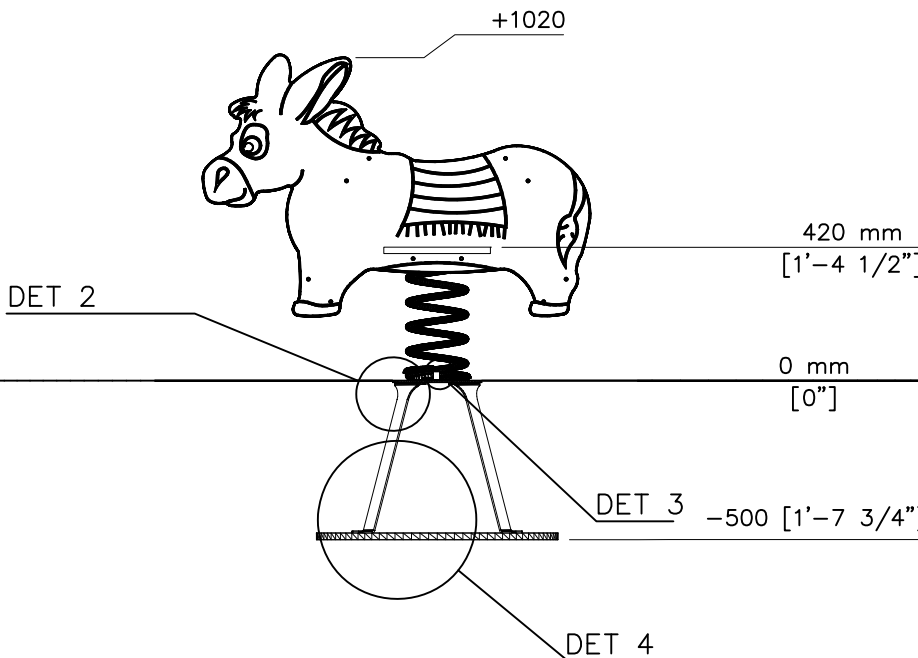
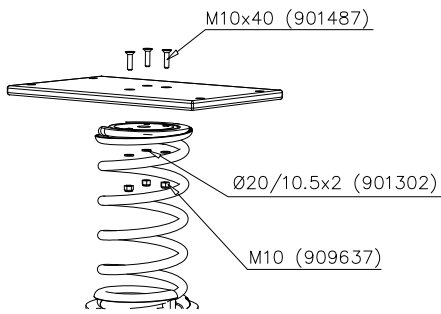


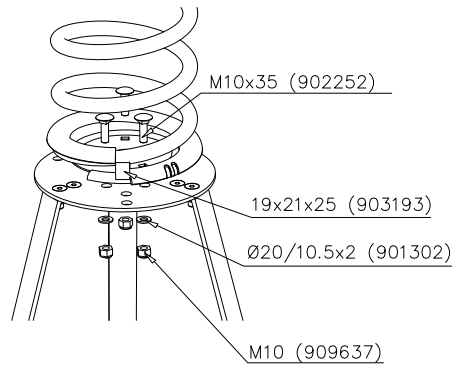
| Part No.  | PCS | Part No.  | PCS |
|---|-----|---|-----|
| ① 702286  | 1   | ② P15947  | 1   |
|  |     |    |     |
| 90x50   |     |   |     |
| ③ 901487  | 3   | ④ 705101  | 1   |
|  |     |    |     |
| M10x40  |     |    |     |
| ⑤ 903192  | 1   |   |     |
|  |     |   |     |
| 20x200  |     |   |     |
|   |     | ⑥ 903191  | 2   |
|   |     |  |     |
|   |     | M10x35 (902252)   |     |
|   |     |  |     |
|   |     | Ø20/10.5x2 (901302)   |     |
|   |     |  |     |
|   |     | M10 (909637)  |     |
|   |     |  |     |
|   |     | 19x21x25 (903193)   |     |
|   | PCS |   | PCS |
|   |     |   |     |
|   |     |   |     |
|   |     |   |     |
|   | PCS |   | PCS |
|   |     |   |     |
|   |     |   |     |
|   |     |   |     |
|   | PCS |   | PCS |
|   |     |   |     |
|   |     |   |     |
|   |     |   |     |



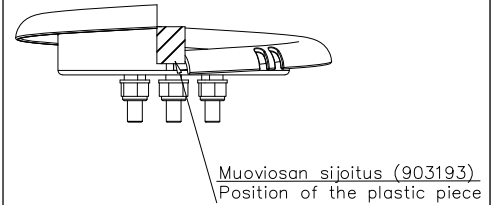
DET 1



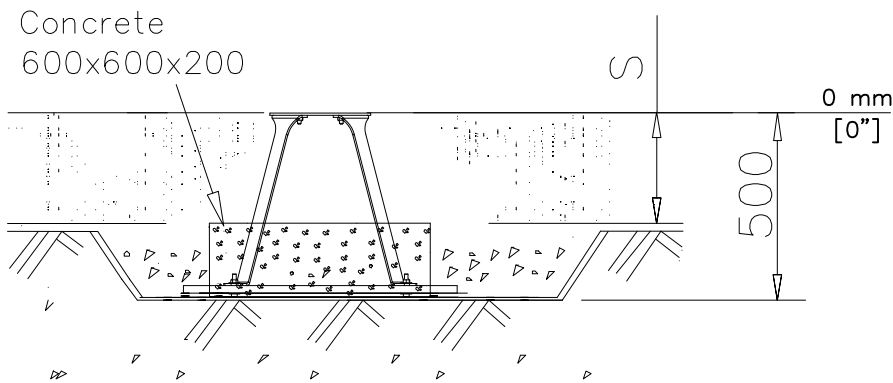
DET 2



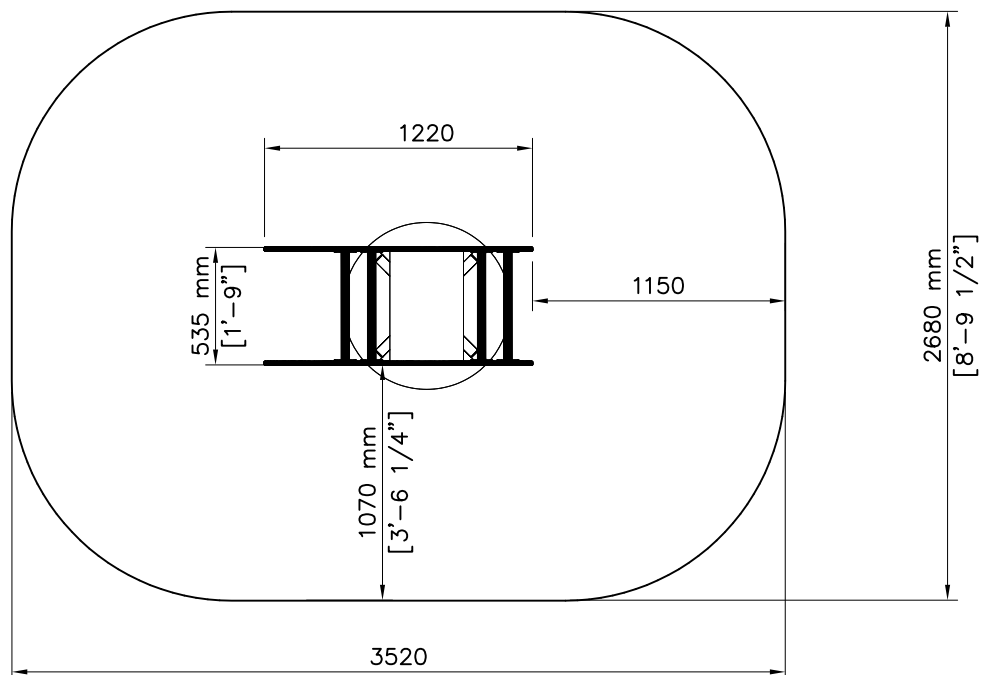
DET 3

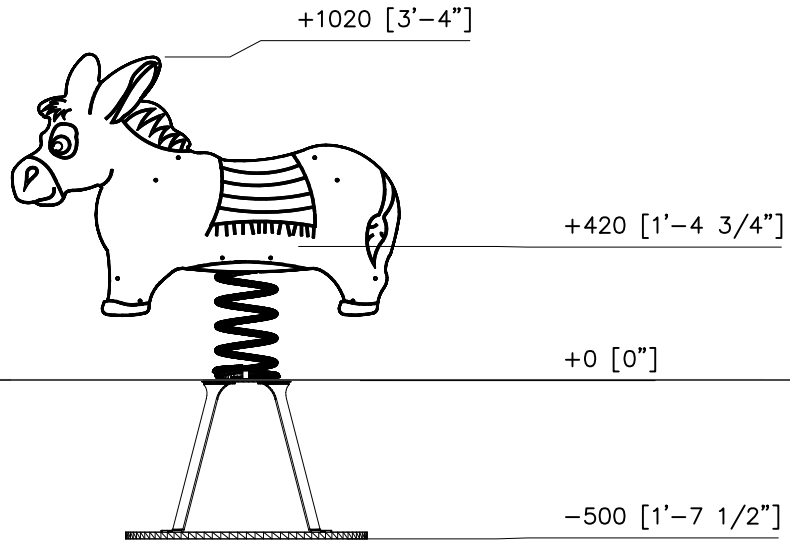


DET 4 RECOMMENDED 705101 OPTIO 2 (WITH CONCRETE)

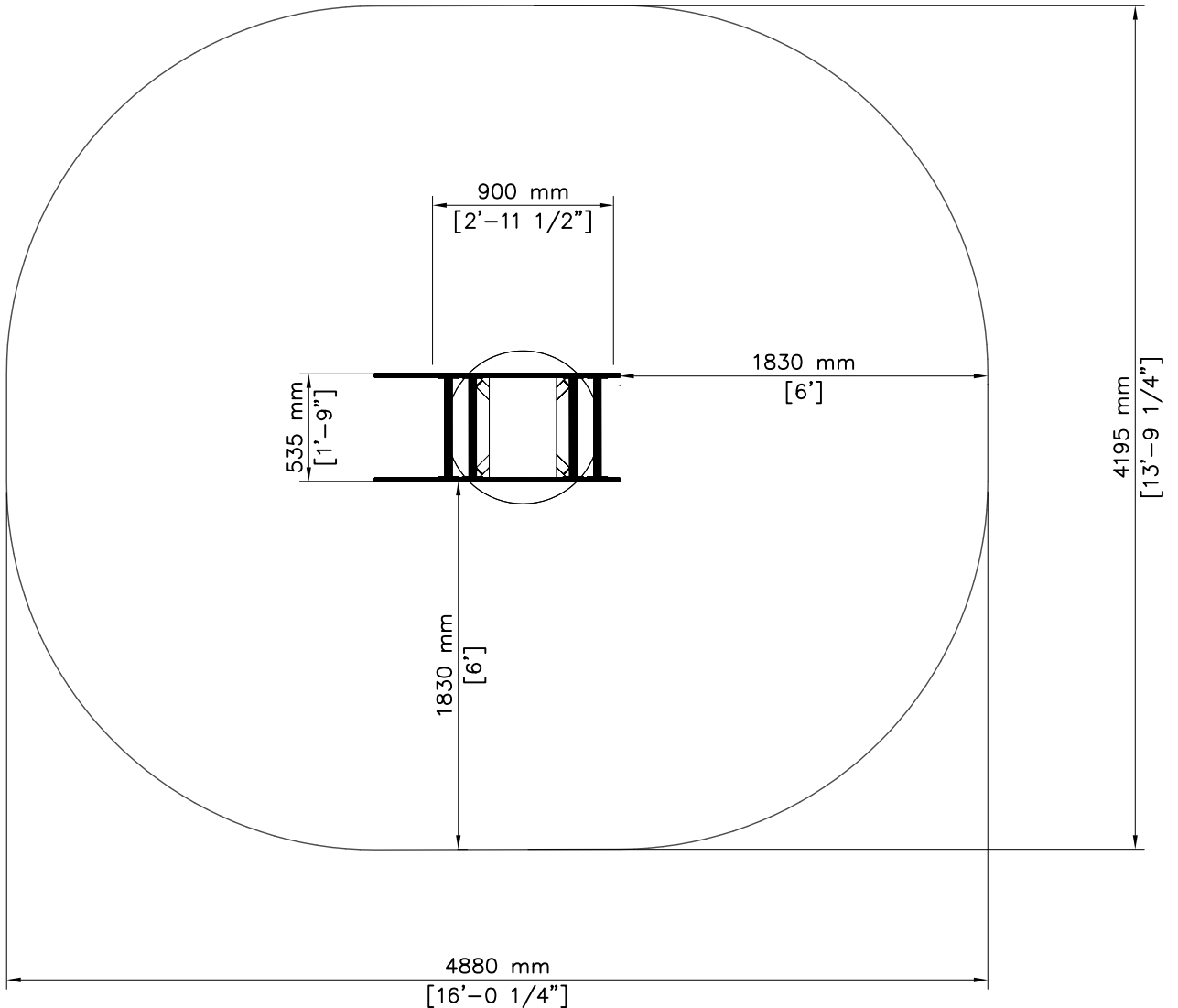


- EN Impact Area 8.5 m<sup>2</sup>
- - - - Falling Space 8.5 m<sup>2</sup>
- Max Falling Height 600 mm





Use Zone 188 sq ft  
Max Fall Height 1'-4 1/2"

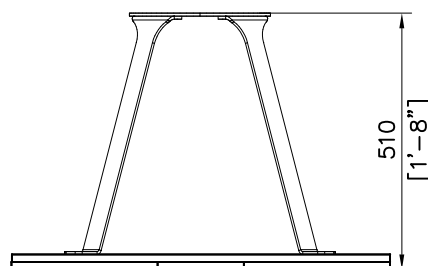
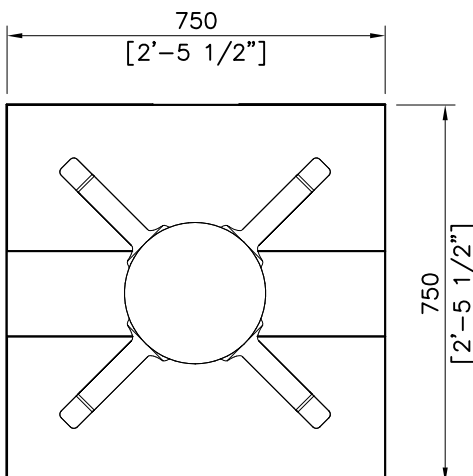
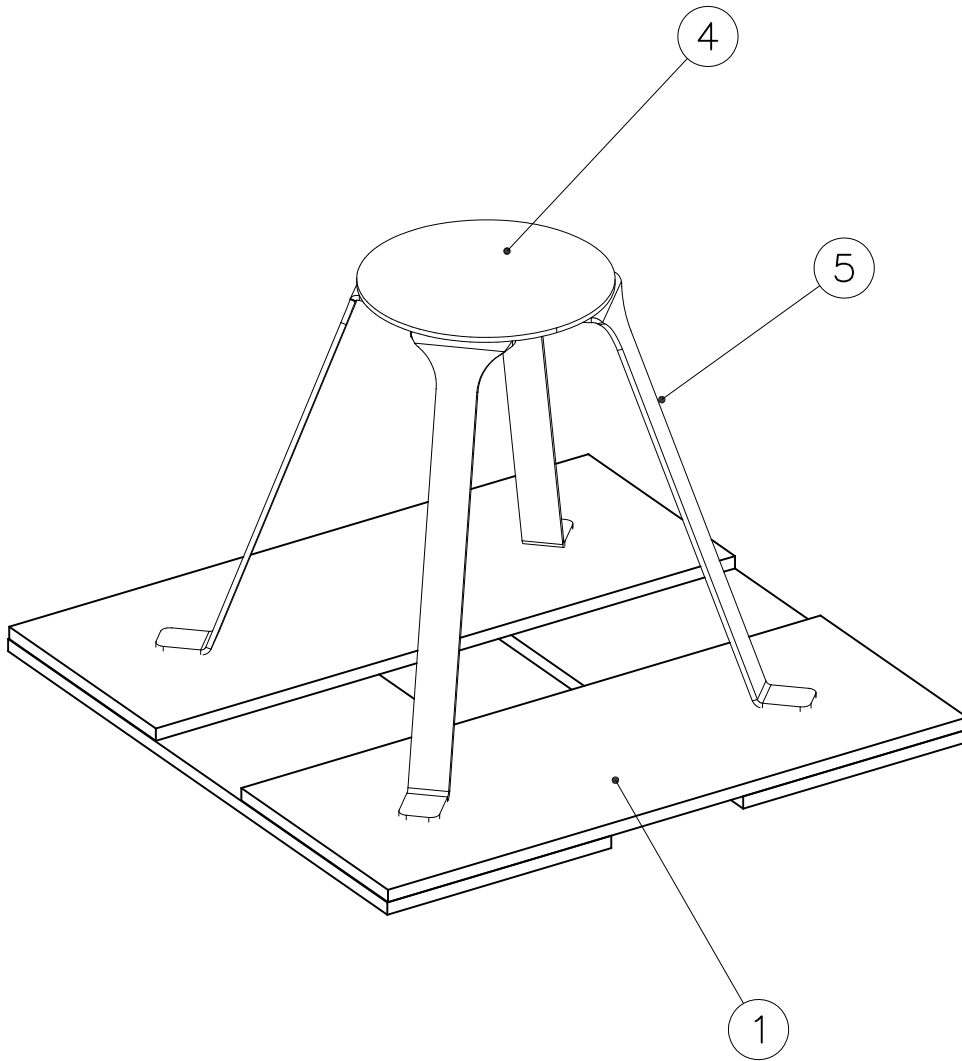


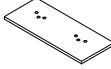

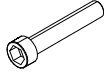




# LAPPSET® GROUNDING

# 705101

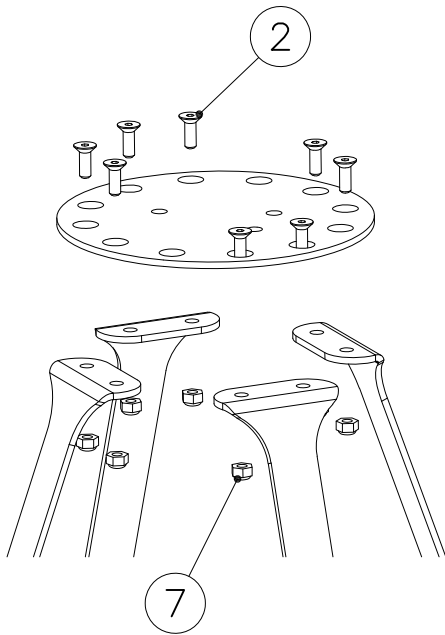
DATE: 21.4.2021

# 1(2)

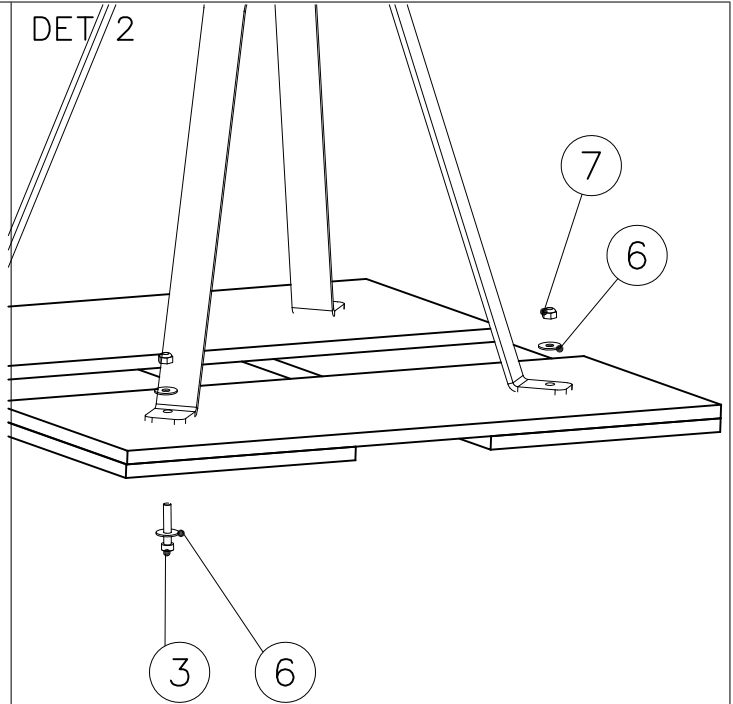


|   |   |     |   |   |     |
|---|---|-----|---|---|-----|
| ① | 707138  | PCS | ② | 900958  | PCS |
|   |   | 4   |   |   | 8   |
|   |    |     |   |  |     |
|   | 260x595   |     |   | M10x30  |     |
| ③ | 902232  | PCS | ④ | 905993  | PCS |
|   |   | 4   |   |   | 1   |
|   |    |     |   |  |     |
|   | M10x55  |     |   |   |     |
| ⑤ | 906000  | PCS | ⑥ | 909255  | PCS |
|   |   | 4   |   |   | 8   |
|   |    |     |   |  |     |
|   |   |     |   | Ø30/10.5  |     |
| ⑦ | 980161  | PCS |   |   | PCS |
|   |   | 12  |   |   |     |
|   |  |     |   |   |     |
|   | M10   |     |   |   |     |
|   |   | PCS |   |   | PCS |
|   |   |     |   |   |     |
|   |   | PCS |   |   | PCS |
|   |   |     |   |   |     |
|   |   | PCS |   |   | PCS |
|   |   |     |   |   |     |

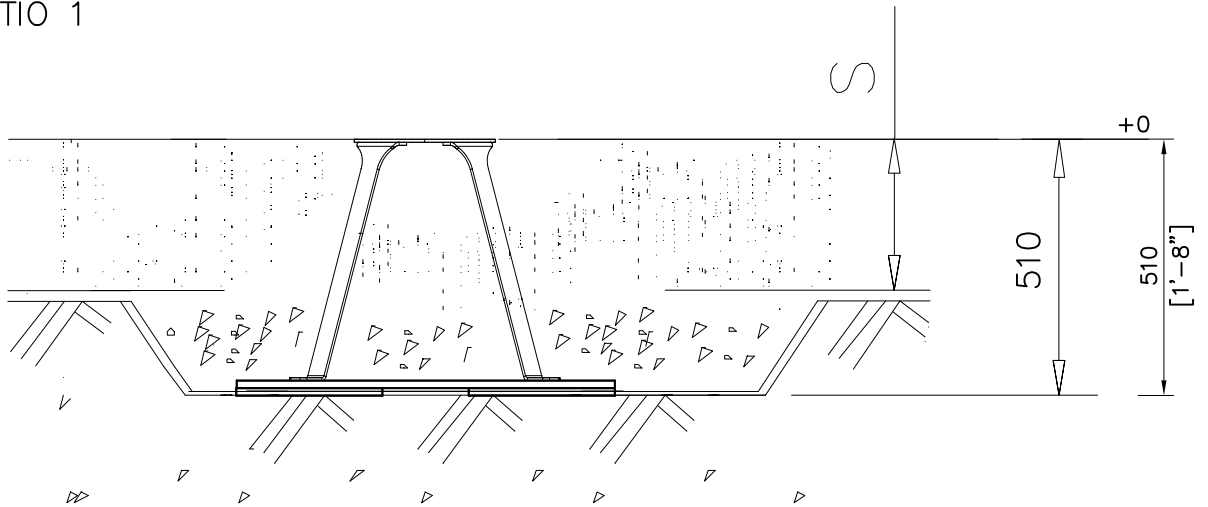
DET 1



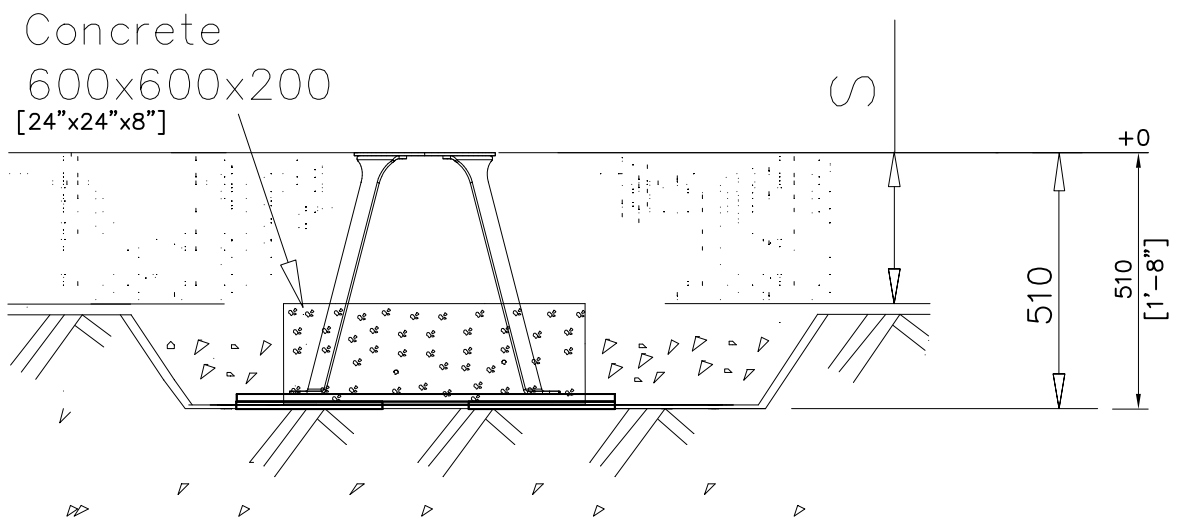
DET 2

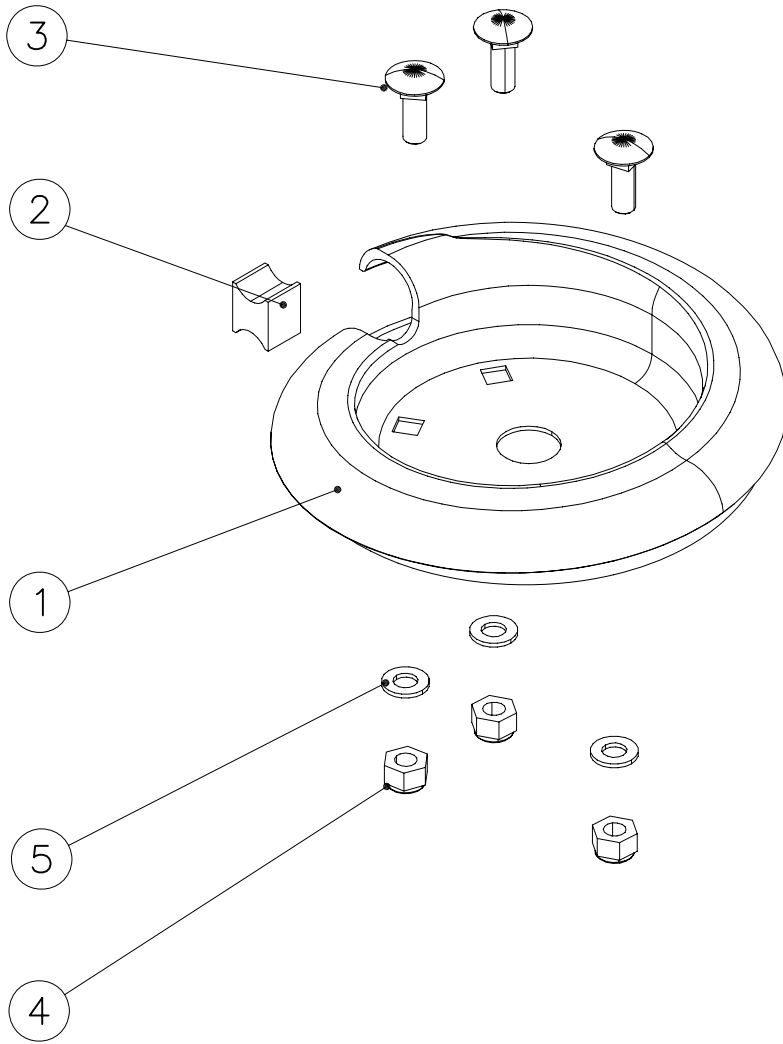


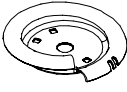
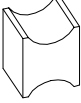
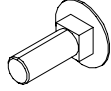

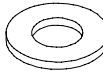
DET 3 OPTIO 1



DET 3 OPTIO 2 (WITH CONCRETE)





|   |          |   |          |
|---|----------|---|----------|
| ①   | PCS<br>1 | ②   | PCS<br>1 |
|  |          |  |          |
|   |          | 19x21x25  |          |
| ③   | PCS<br>3 | ④   | PCS<br>3 |
|  |          |  |          |
| M10x35  |          | M10   |          |
| ⑤   | PCS<br>3 |   | PCS      |
|  |          |   |          |
| Ø20/10.5  |          |   |          |
|   | PCS      |   | PCS      |
|   |          |   |          |
|   | PCS      |   | PCS      |
|   |          |   |          |
|   | PCS      |   | PCS      |
|   |          |   |          |
|   | PCS      |   | PCS      |
|   |          |   |          |
|   | PCS      |   | PCS      |
|   |          |   |          |

## Jousen ja kiinnityslevyn kiinnittäminen Fixing the spring and gable plate

Aseta jousen kiinnityslevy jousen kierteiden väliin.  
Place the spring berch between the bottom coils



Kierrä kiinnityslevyä kohti kiinnitysalustaa.  
Turn the spring berch towards the anchor



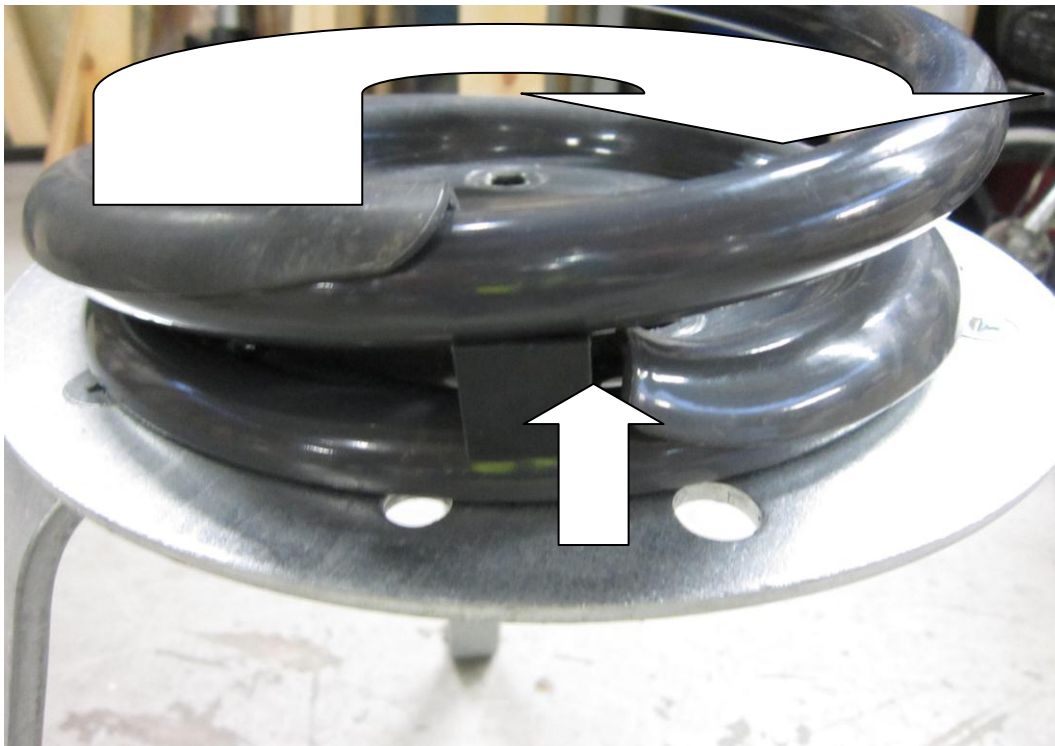
Aseta muovipala kiinnityslevyn kierteen aloitus- ja lopetus osan väliin kuvan osoittamalla tavalla.

Place the plastic piece between coils as shown below



Kierrä kiinnitys levyä myötäpäivää, kunnes muovipala koskettaa jousen kierrettä.

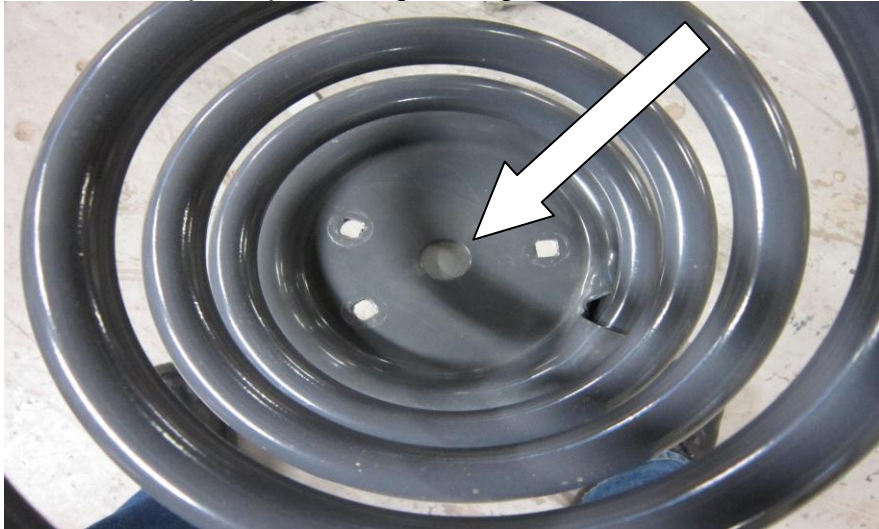
Turn the spring berch clockwise until the plastic piece is in contact to coils below and underneath.





Kohdista kiinnityslevyn pulttien reiät ja perustuksen kiinnitysreiät kohdalleen. 5mm – 10mm rako ennen kiristystä.

Center the fixing holes of anchor and spring berch. There should be 5-10 mm gap between the parts prior to tightening.



Kiristä huolellisesti pultit vuorotellen kiristäen. Kiristuksen jälkeen osien välillä saa olla korkeintaan 1mm rako keskireiästä katsoen.

Tighten the bolts gradually, about 1 turn at the time. After the tightening, there must not be more than 1mm gap between the parts

