

LAPPSET®
DEEP FOUNDATION

FOOT

DATE: 13.3.2014

4A

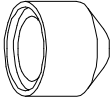


LAPPSET®
BETON FOUNDATION

FOOT

DATE: 27.10.2015

1(1)

| | | | |
|--|-----|--|-----|
| ② 905104 | PCS | | PCS |
| | 4 | | |
|  M10 | PCS | | PCS |
| | | | |



905104

LAPPSET® DEEP FOUNDATION

FOOT

DATE: 15.5.2018

1(1)



| | | | | | |
|---|-----------|-----|---|------------|-----|
| ① | 909511 | PCS | ② | 909519 | PCS |
| | | 1 | | | 1 |
| | 90x90x650 | | | 50x380x380 | |

| | | | | | |
|---|--------|-----|---|----------|-----|
| ③ | 909637 | PCS | ④ | 909638 | PCS |
| | | 4 | | | 8 |
| | M10 | | | Ø20/10.5 | |

| | | | | | |
|---|--------|-----|---|--------|-----|
| ⑤ | 909639 | PCS | ⑥ | 905104 | PCS |
| | | 4 | | | 4 |
| | M10x25 | | | M10 | |

OPTION FOOT

| | | | | | |
|---|-----------|-----|--|--|-----|
| ① | 911155 | PCS | | | PCS |
| | | 1 | | | |
| | 90x90x650 | | | | |

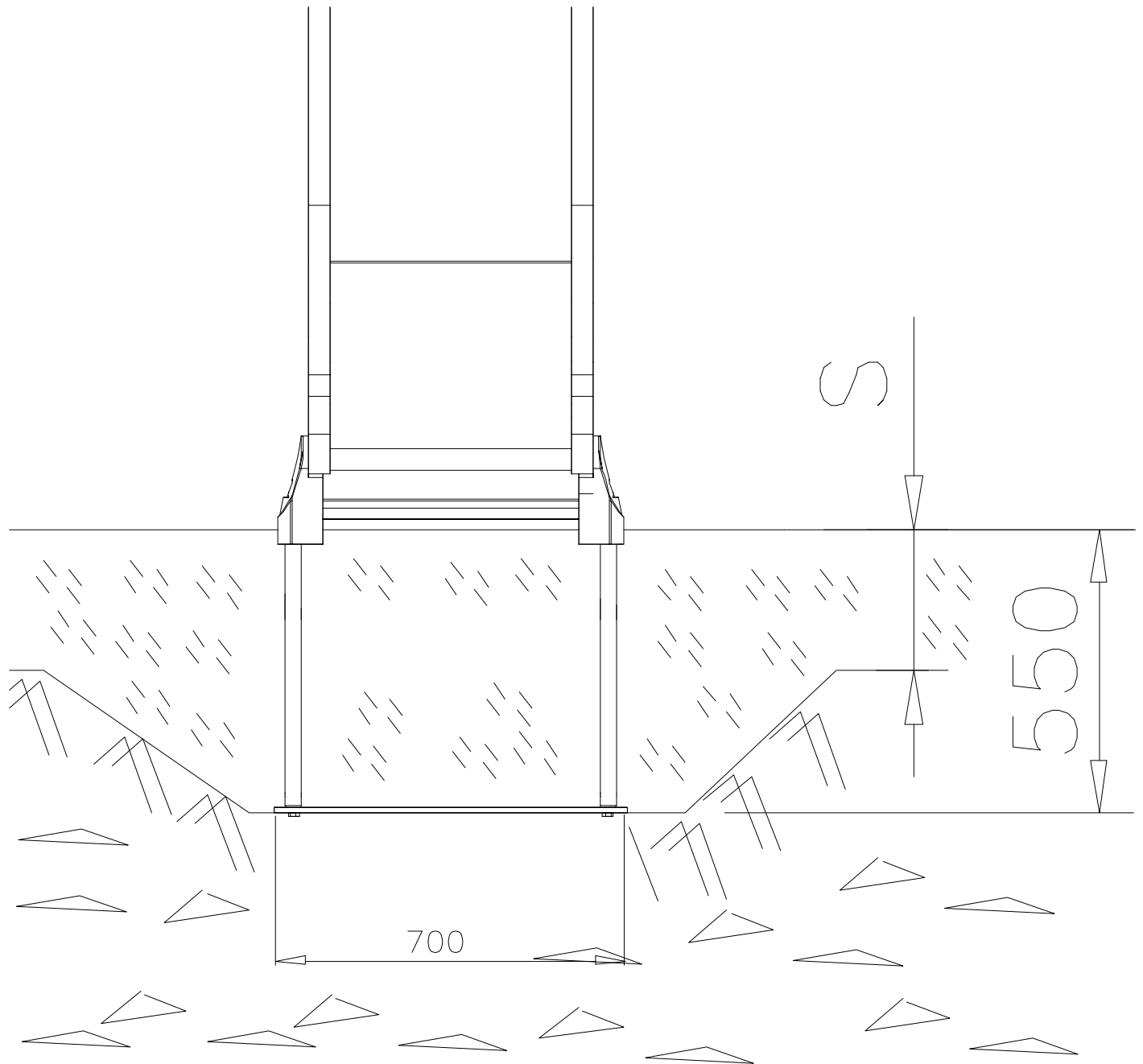
LAPPSET

DEEP FOUNDATION

SLIDE WOOD

DATE: 22.5.2015

1(1)





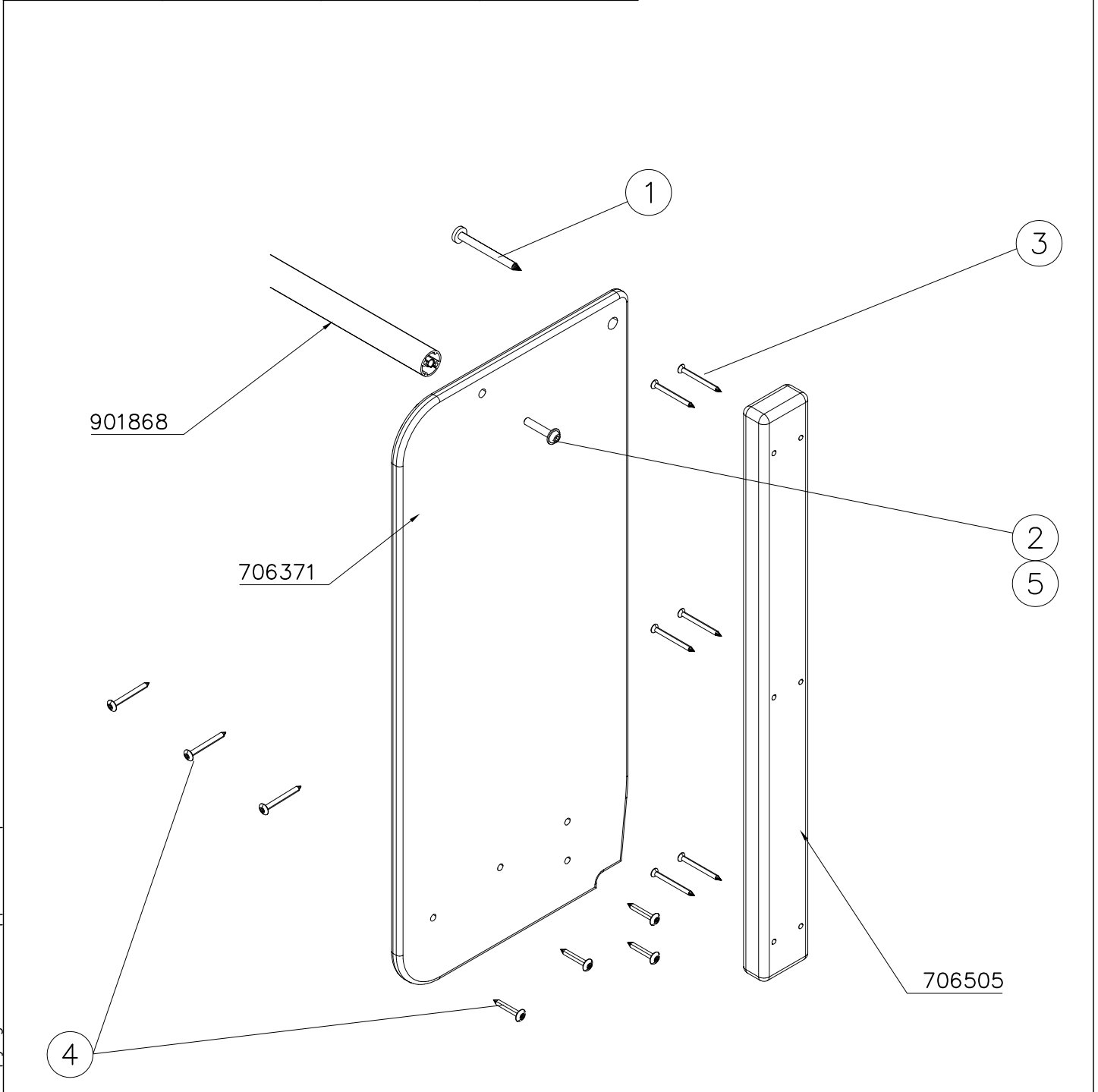
SLIDE OPTIONS

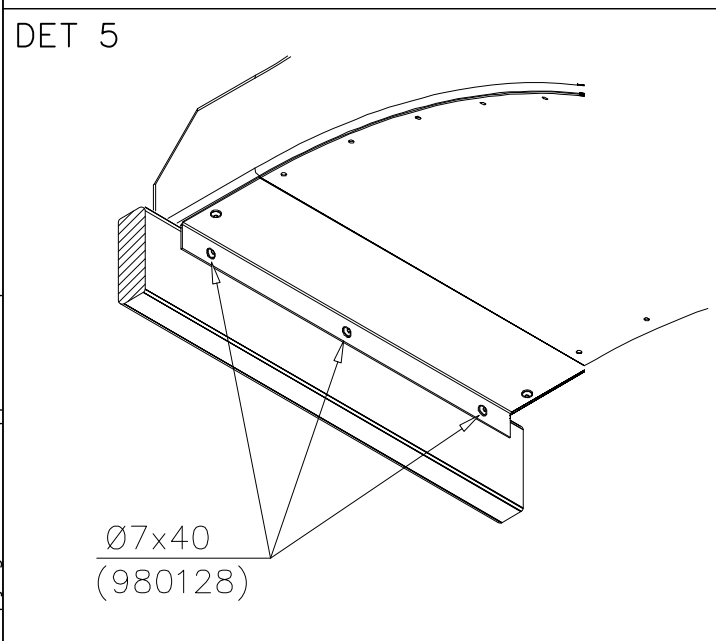
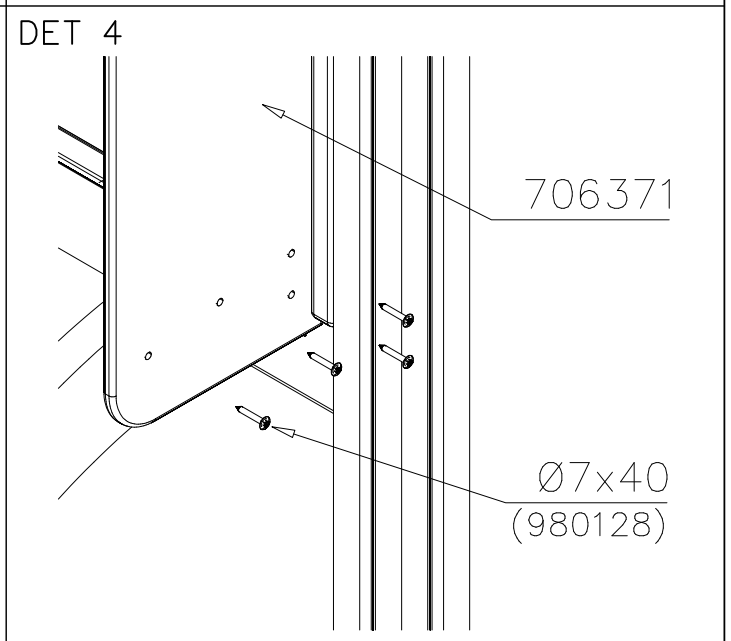
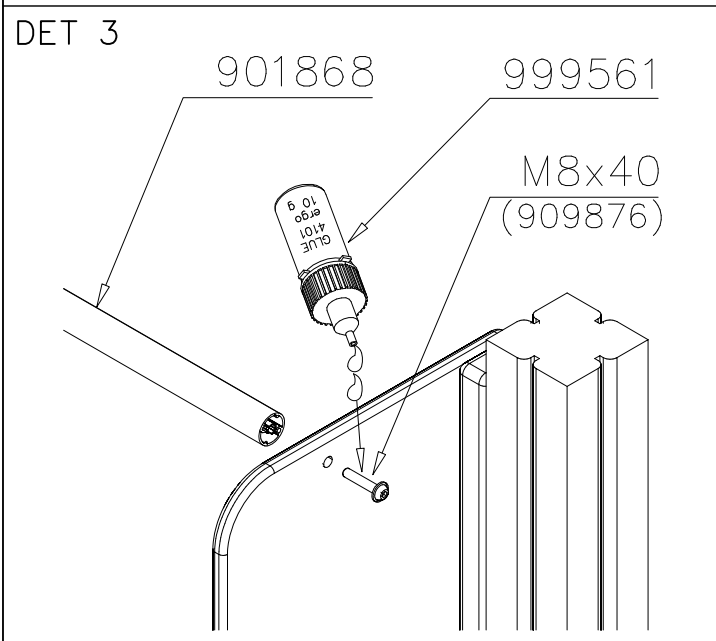
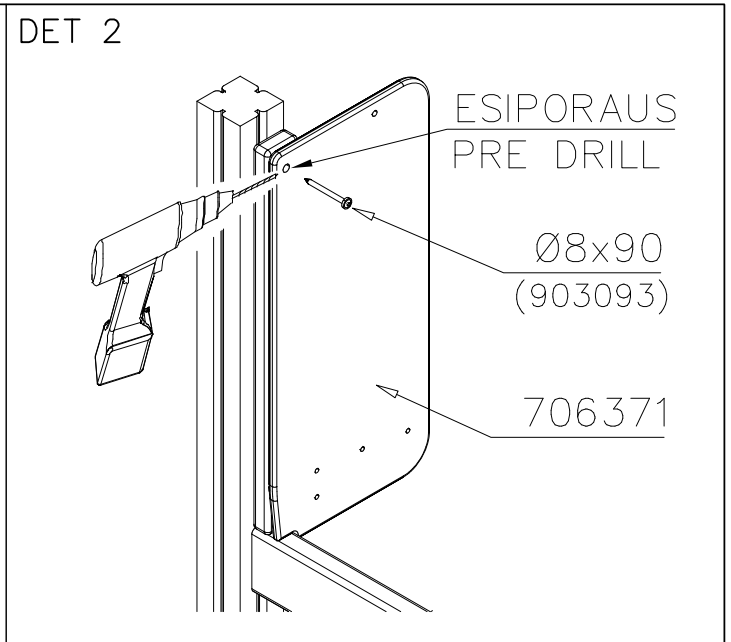
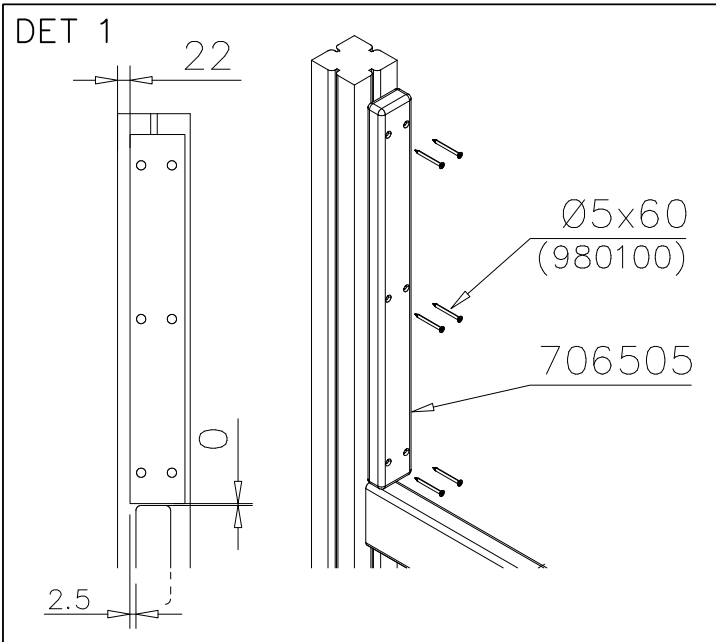
| | | |
|---|---|--|
| <p>706450 +1470</p>  | <p>706450-602 DARK BROWN 706450-603 LIGHT BROWN 706450-604 LIGHT GRAY</p> | |
| <p>706452 +870</p>  | <p>706452-602 DARK BROWN 706452-603 LIGHT BROWN 706452-604 LIGHT GRAY</p> | |

WALL OPTIONS

| | | |
|---|--|---|
| <p>706371</p>  | <p>706371-701 BLUE 706371-702 YELLOW 706371-703 LIME 706371-704 DRARK GRAY 706371-705 LIGHT GRAY 706371-706 RED</p> | <p>706371-707 GREEN 706371-708 FUXIA</p> |
|---|--|---|

| | | | | | | | | | | | |
|--|-----|---|-----|---|-----|---|-----|--|-----|---|-----|
| ○ SLIDE | PCS | ○ SLIDE | PCS | ○ 706371 | PCS | ○ 706505 | PCS | ○ 901868 | PCS | ① 903093 | PCS |
|  | 1 |  | 1 |  | 2 |  | 2 |  | 1 |  | 2 |
| +1470 | | +870 | | 15x345x750 | | 35x70x730 | | Ø34x598 | | Ø8x90 | |
| ② 909876 | PCS | ③ 980100 | PCS | ④ 980128 | PCS | ⑤ 999561 | PCS | | | | |
|  | 2 |  | 12 |  | 11 |  | 1 | | | | |
| M8x40 | | Ø5x60 | | Ø7x40 | | 10g | | | | | |





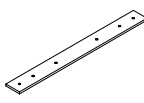
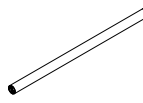

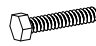
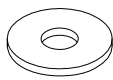
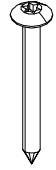
LAPPSET

DEEP FOUNDATION

SLIDE WOOD

DATE: 3.11.2017

4(5)

| | | | | | | | | | | | |
|--|-----|---|-----|---|-----|---|-----|--|-----|---|-----|
| ○ 707133 | PCS | ○ 901868 | PCS | ○ 901879 | PCS | ⑥ 909210 | PCS | ⑦ 905051 | PCS | ⑧ 980128 | PCS |
|  | 1 |  | 2 |  | 2 |  | 4 |  | 4 |  | 6 |
| 10x80x745 | | Ø30x598 | | | | M8x40 | | Ø24/8.4 | | Ø7x40 | |



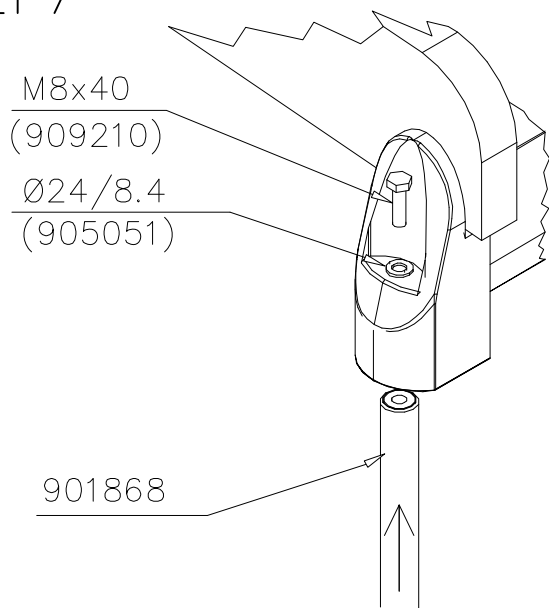
DET 6



Insert sheet metal IN to the plastic cover.

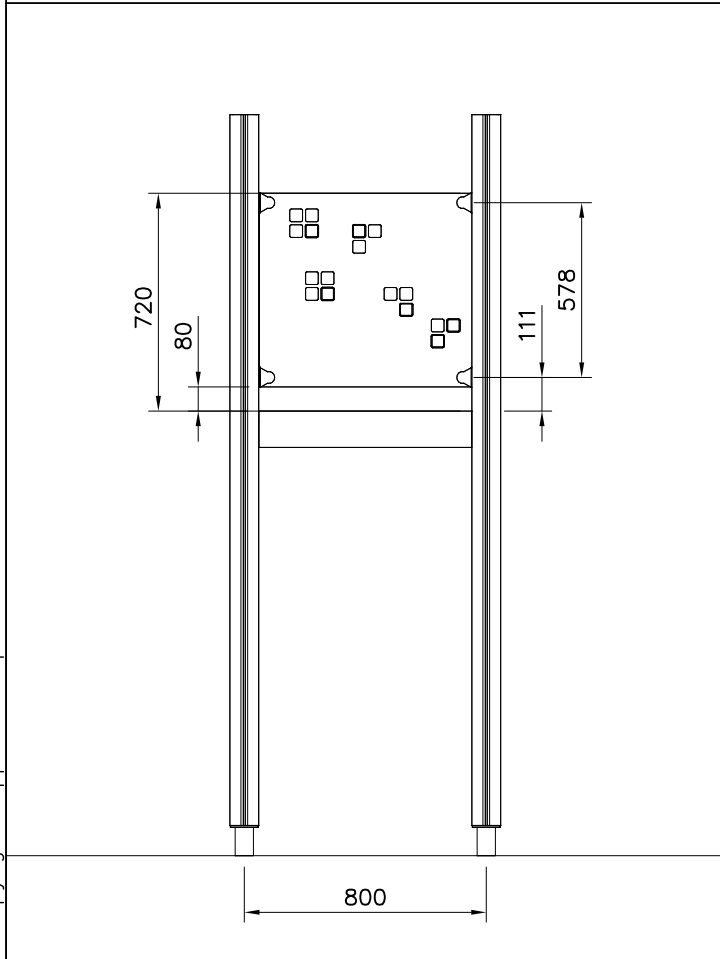
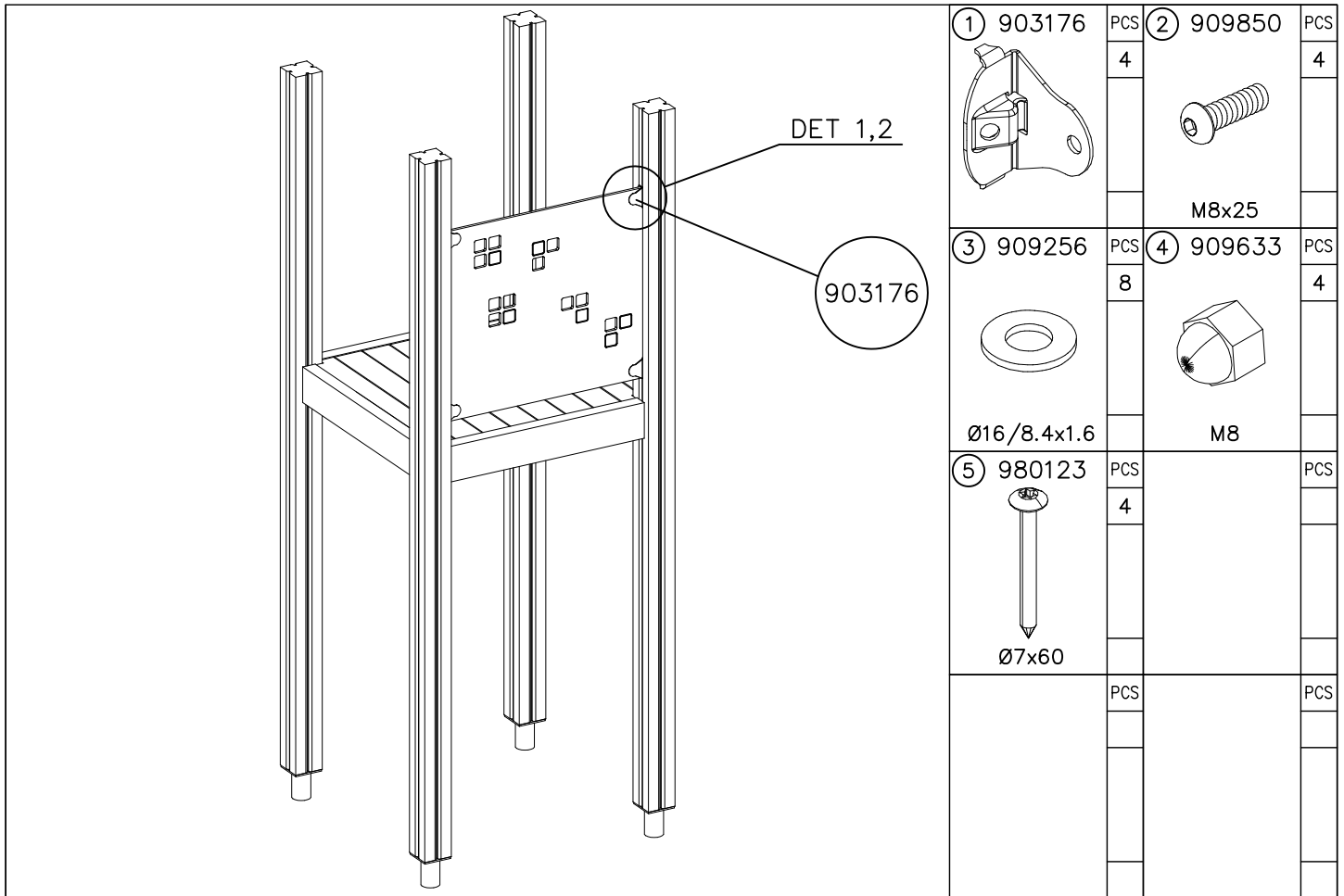


DET 7

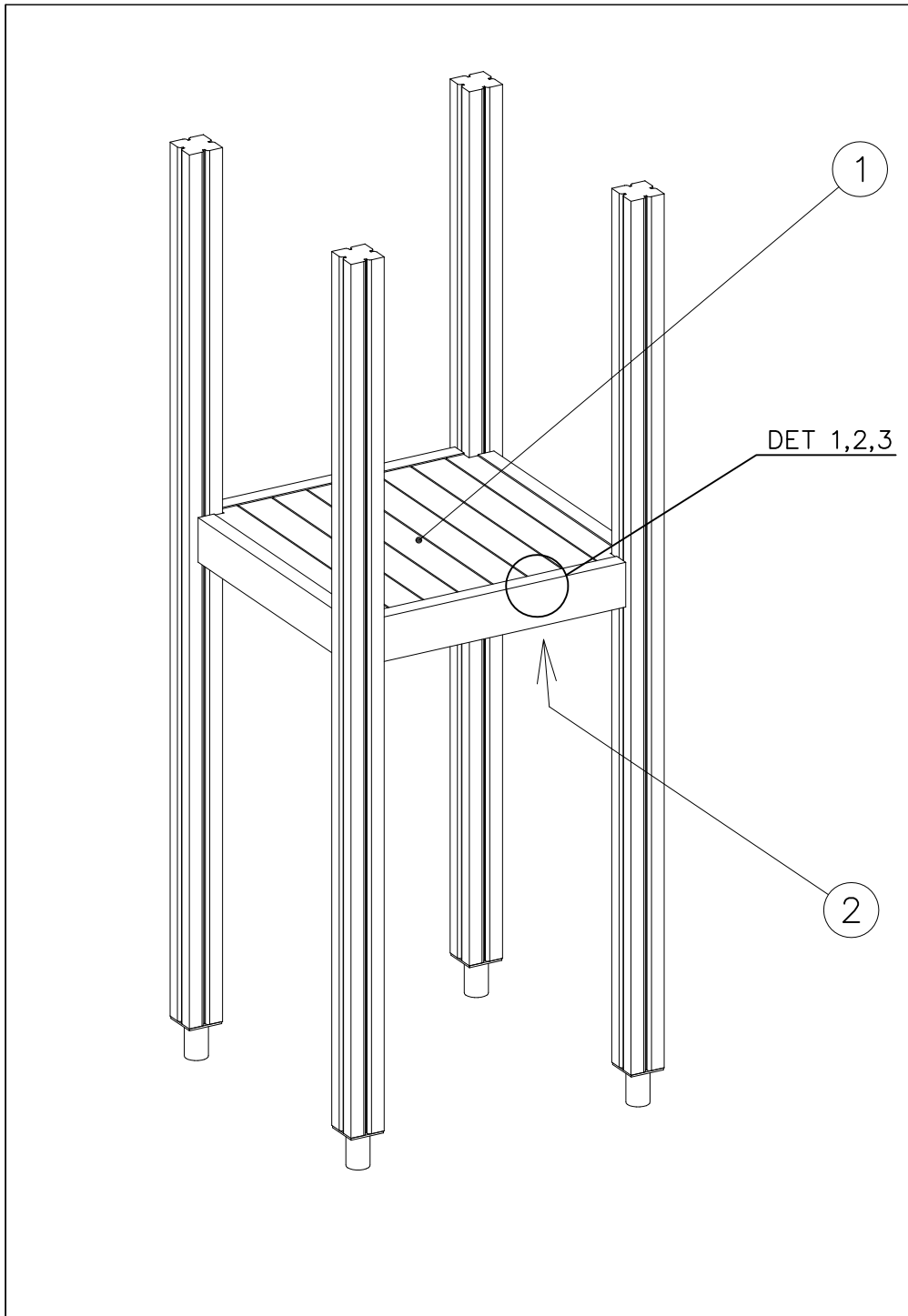


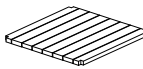
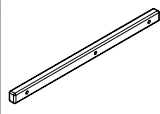
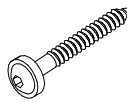

DET 8



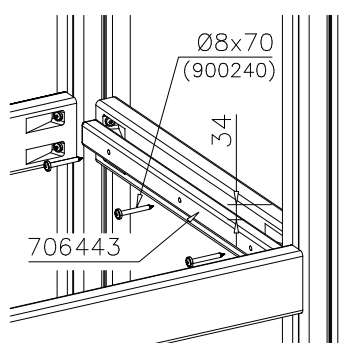






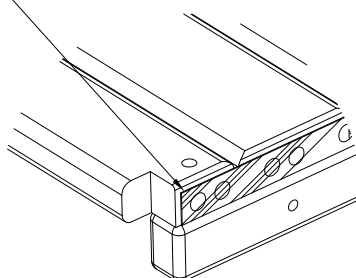
| | | | |
|---|-----|---|-----|
| ① 008986 | PCS | ② 706443 | PCS |
|  | 1 |  | 2 |
| 750x750 | | 32x45x702 | |
| ③ 900240 | PCS | ④ 980101 | PCS |
|  | 6 |  | 8 |
| Ø8x70 | | Ø4.5x70 | |
| | PCS | | PCS |
| | | | |
| | PCS | | PCS |
| | | | |
| | PCS | | PCS |
| | | | |

DET 1

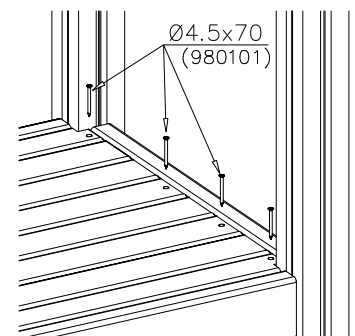


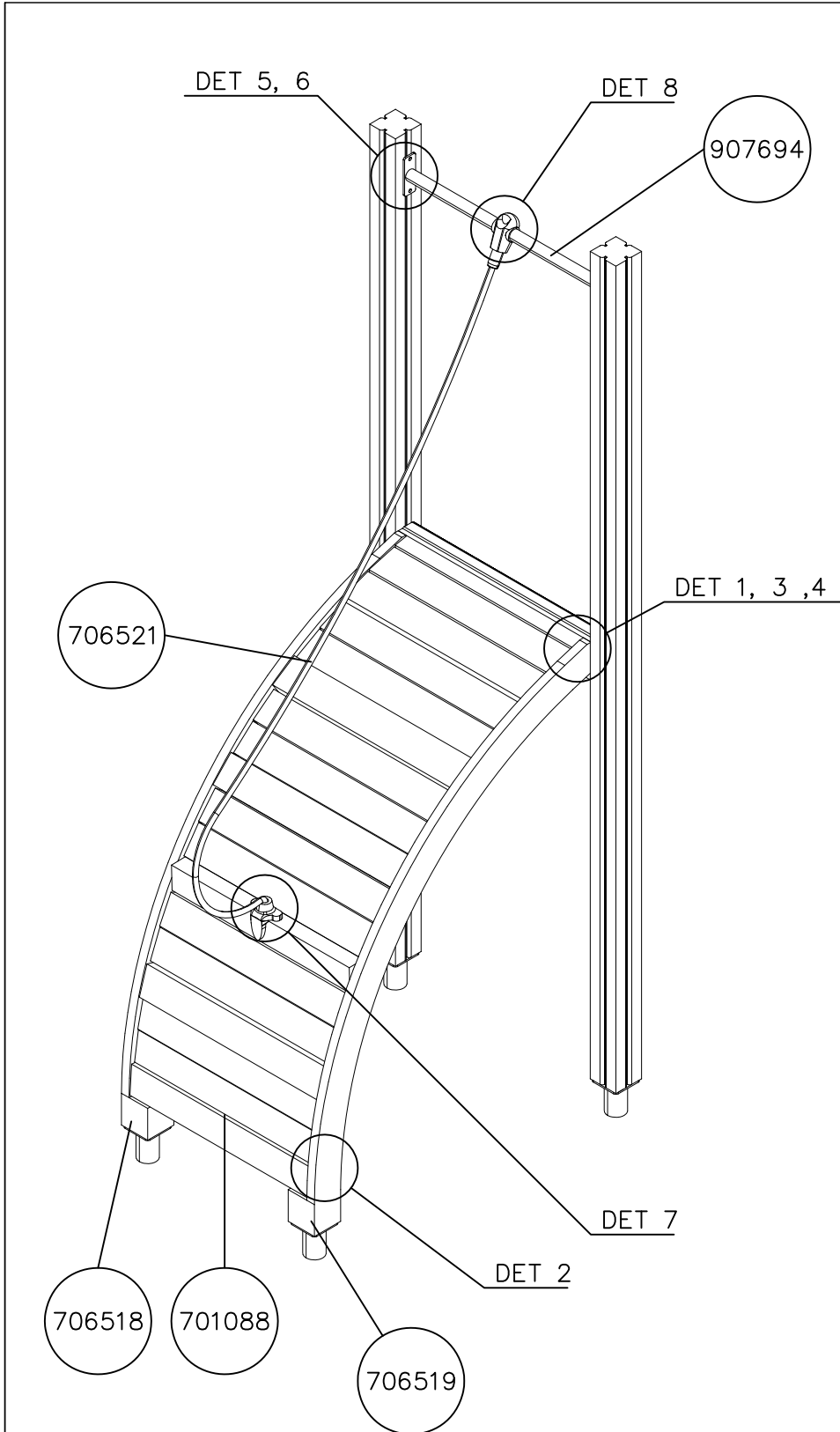
DET 2

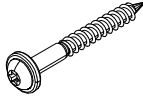
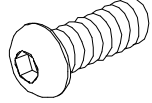
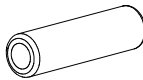
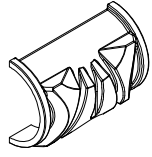

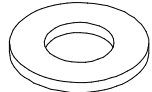
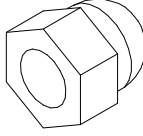
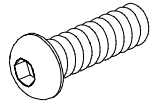
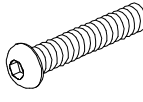
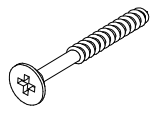


Naulanauha kannatinlistan puolelle.
Nail list to the bottom.

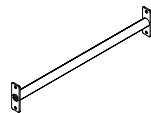
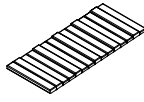
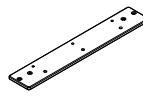





DET 3





| | | | |
|---|-----|---|-----|
| ① 900240 | PCS | ② 900342 | PCS |
|  | 12 |  | 2 |
| Ø8x70 | | M8x16 | |
| ③ 901182 | PCS | ④ 901900 | PCS |
|  | 1 |  | 2 |
| Ø11/M8x40 | | 20.5x36.2x56 | |
| ⑤ 901902 | PCS | ⑥ 909256 | PCS |
|  | 2 |  | 4 |
| 30.7x60.9x100 | | Ø16/8.4x1.6 | |
| ⑦ 909633 | PCS | ⑧ 909850 | PCS |
|  | 1 |  | 1 |
| M8 | | M8x25 | |
| ⑨ 909855 | PCS | ⑩ 980107 | PCS |
|  | 4 |  | 3 |
| M8x35 | | Ø6x60 | |
| ⑪ 980123 | PCS | ⑫ 980128 | PCS |
|  | 2 |  | 4 |
| Ø7x60 | | Ø7x40 | |

| | | | | | | | | | | | |
|---|-----|---|-----|---|-----|--|-----|---|-----|---|-----|
| ○ 907694 | PCS | ○ 701088 | PCS | ○ 701092 | PCS | ○ 706521 | PCS | ○ 706518 | PCS | ○ 706519 | PCS |
|  | 1 |  | 1 |  | 1 |  | 1 |  | 1 |  | 1 |
| L 704 | | 45x645x1670 | | 15x120x700 | | L 2120 | | 95x1005x1365 | | 95x1005x1365 | |

ROPE OPTIONS

706521

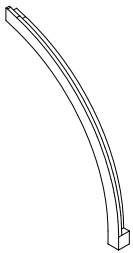


706521-301 BLUE
706521-302 RED
706521-303 BEIGE

706521-304 GRAY
706521-305 BLACK
706521-306 YELLOW

LEFT ARCH OPTIONS

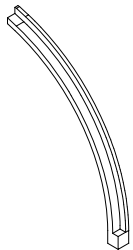
706518



706518-602 DARK BROWN
706518-603 LIGHT BROWN
706518-604 LIGHT GRAY

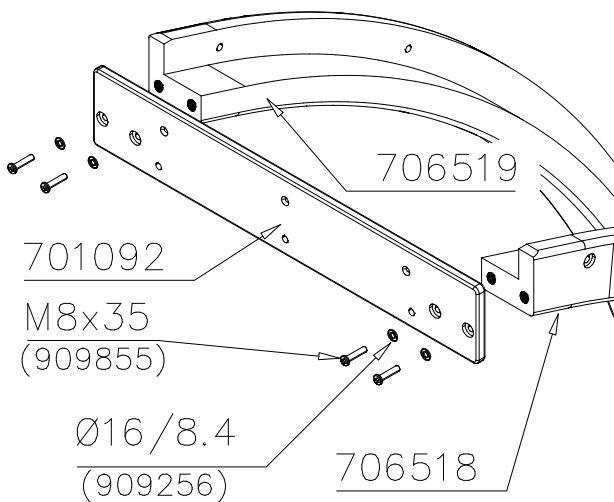
RIGHT ARCH OPTIONS

706519

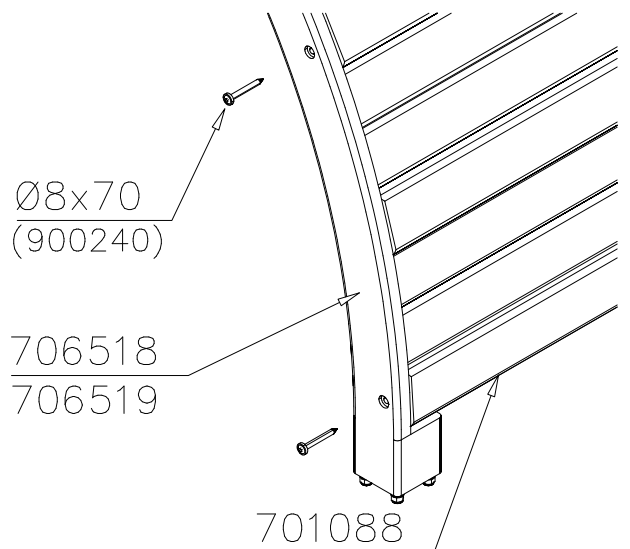


706519-602 DARK BROWN
706519-603 LIGHT BROWN
706519-604 LIGHT GRAY

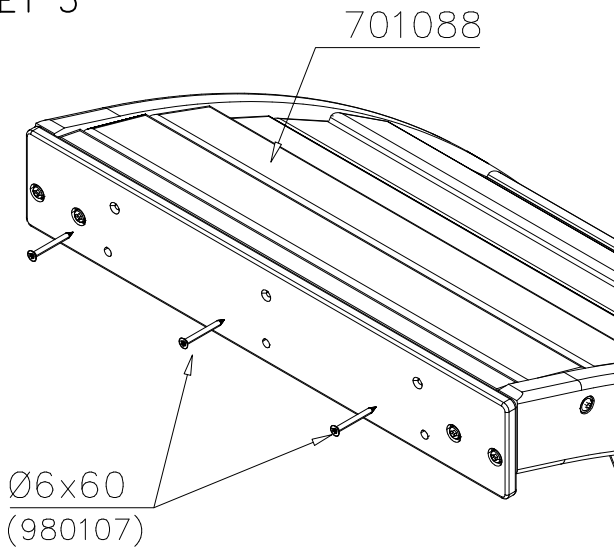
DET 1



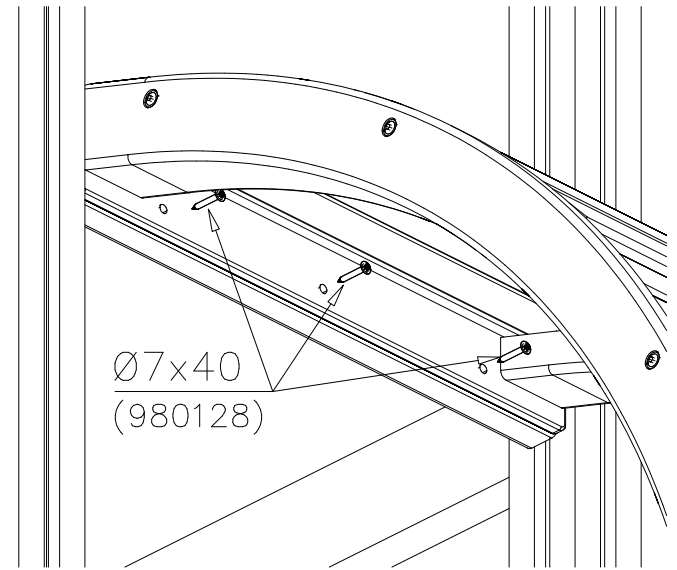
DET 2



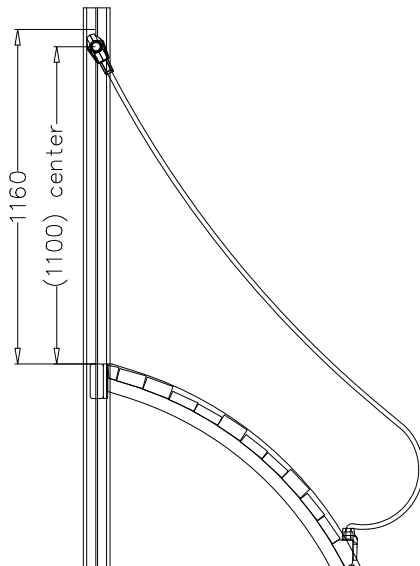
DET 3



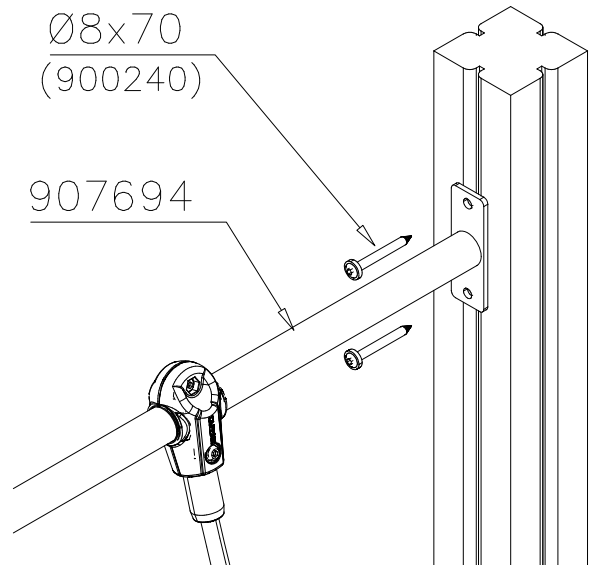
DET 4



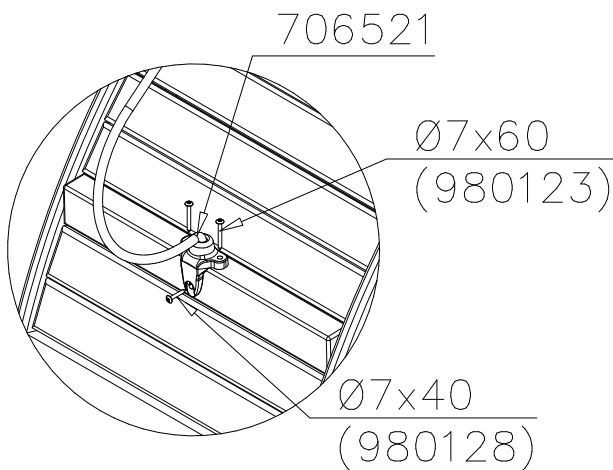
DET 5



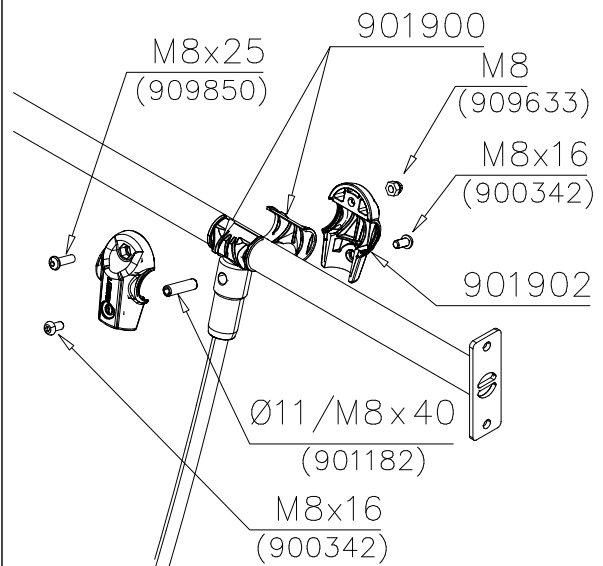
DET 6



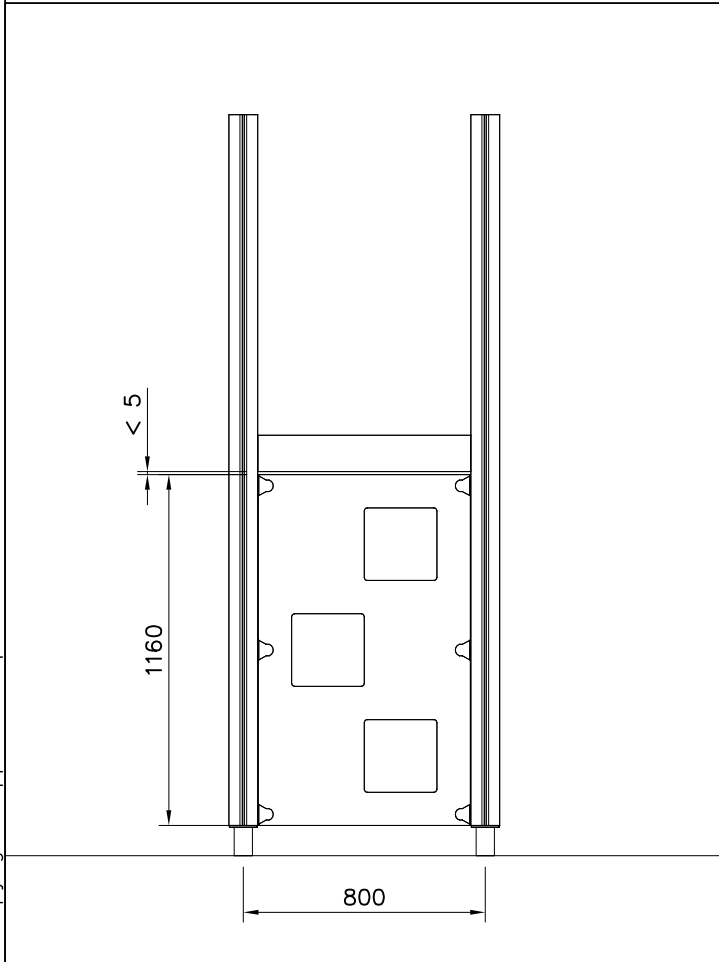
DET 7



DET 8

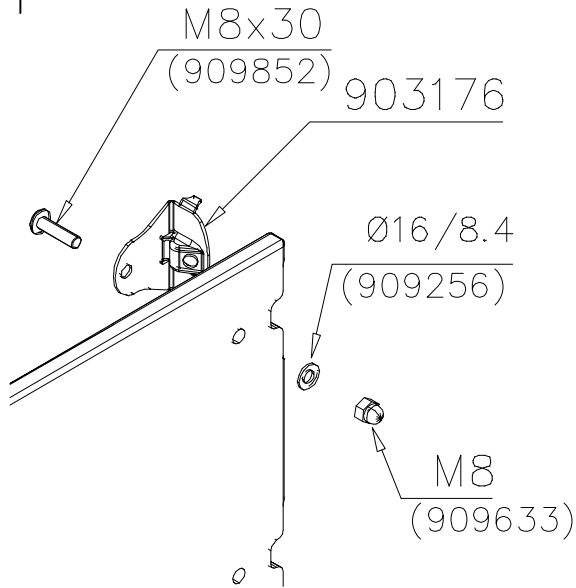


| | | | |
|-------------|-----|----------|-----|
| ① 903176 | PCS | ② 909852 | PCS |
| | 6 | | 6 |
| | | M8x30 | |
| ③ 909256 | PCS | ④ 909633 | PCS |
| | 6 | | 6 |
| Ø16/8.4x1.6 | | M8 | |
| ⑤ 980123 | PCS | | PCS |
| | 6 | | |
| Ø7x60 | | | |
| | PCS | | PCS |

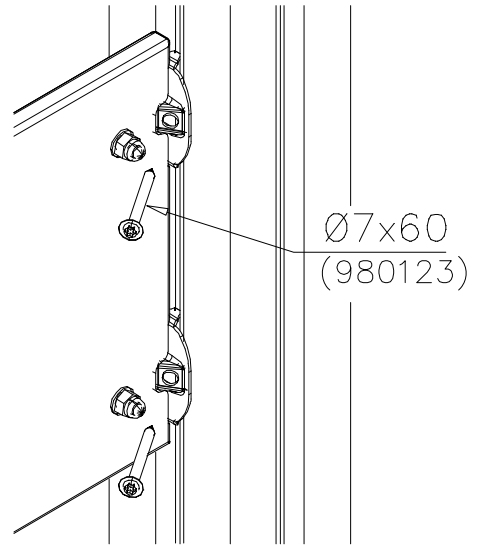


| WALL OPTIONS | | |
|--------------|------------|------------|
| 706507 | 706507-701 | BLUE |
| | 706507-702 | YELLOW |
| | 706507-703 | LIME |
| | 706507-704 | DARK GRAY |
| | 706507-705 | LIGHT GRAY |
| | 706507-706 | RED |
| | 706507-707 | GREEN |
| | 706507-708 | FUXIA |
| 20x702x1160 | | |
| | | |
| | | |

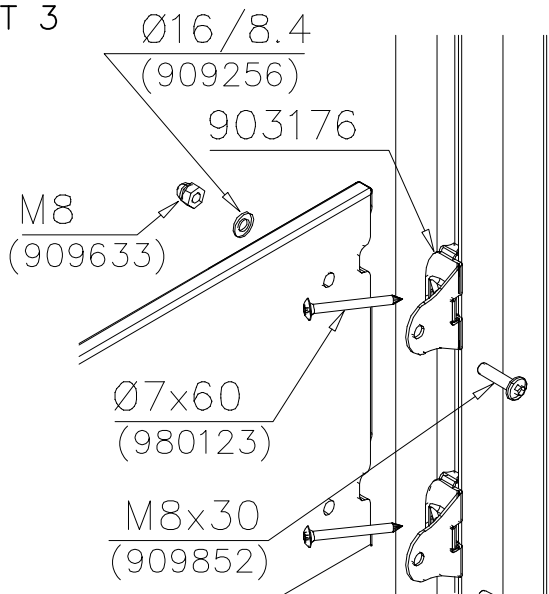
DET 1



DET 2



DET 3



DET 1,2

| | | | |
|-------------|-----|----------|-----|
| ① 903176 | PCS | ② 909850 | PCS |
| | 4 | | 4 |
| | | M8x25 | |
| ③ 909256 | PCS | ④ 909633 | PCS |
| | 8 | | 4 |
| Ø16/8.4x1.6 | | M8 | |
| ⑤ 980123 | PCS | | PCS |
| | 4 | | |
| Ø7x60 | | | |

*Note:
No gaps between:
8–25mm
89–230mm

80

*Note

800

800

80

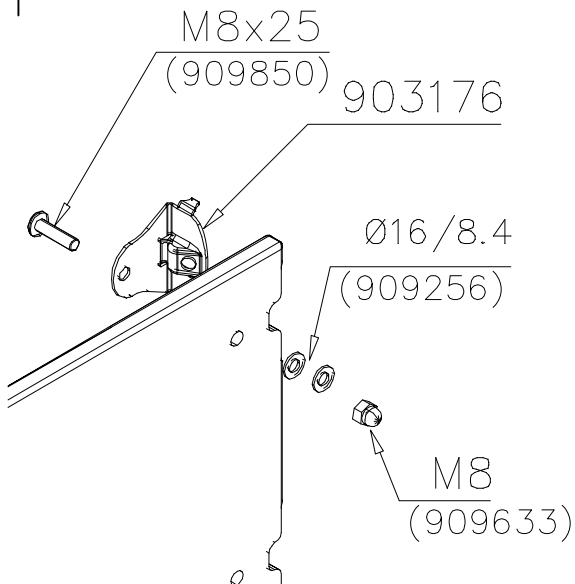
*Note

| COLOR OPTIONS | |
|---------------|------------|
| -701 | BLUE |
| -702 | YELLOW |
| -703 | LIME |
| -704 | DARK GRAY |
| -705 | LIGHT GRAY |
| -706 | RED |
| -707 | GREEN |
| -708 | FUXIA |

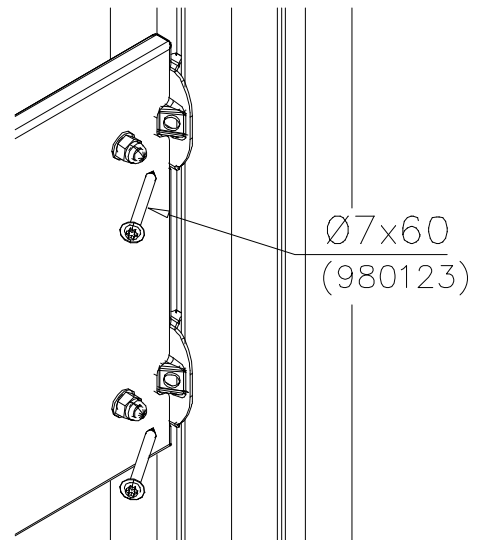
GAME WALL OPTIONS

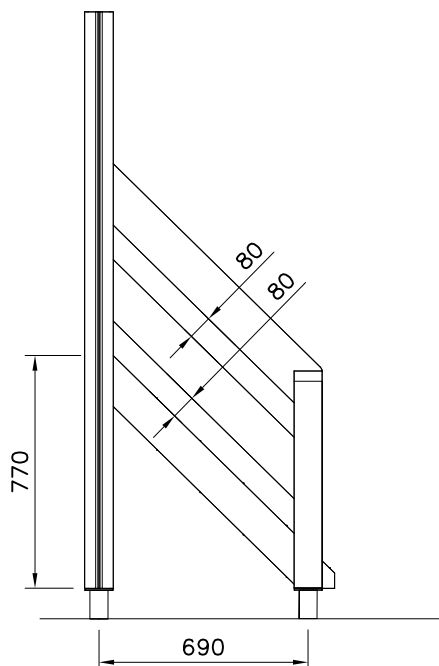
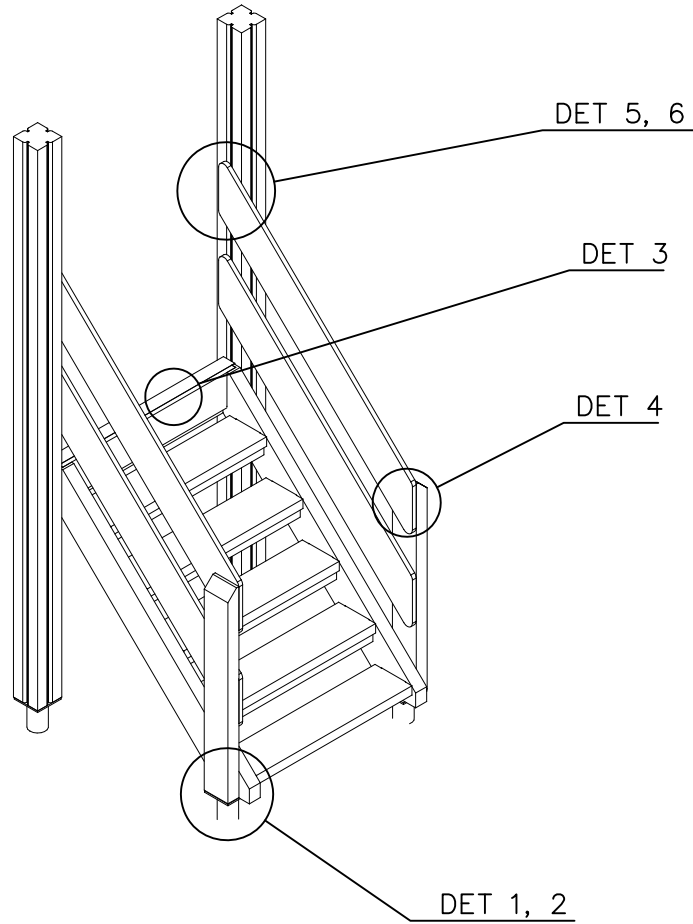
| | | | |
|---|---|--|--|
| 706766 | 706772 | 706308 | 707453 |
|  |  |  |  |
| 640x702 | 640x702 | 640x702 | 640x702 |
| 707209 | 705705 | 707433 | 707386 |
|  |  |  |  |
| 640x702 | 640x702 | 640x702 | 640x702 |
| 709403 | 709358 | 709405 | |
|  |  |  | |
| 640x702 | 640x702 | 420x702 | |

DET 1

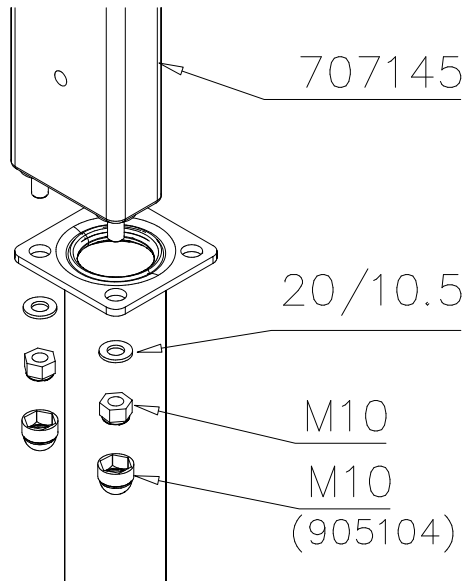


DET 2





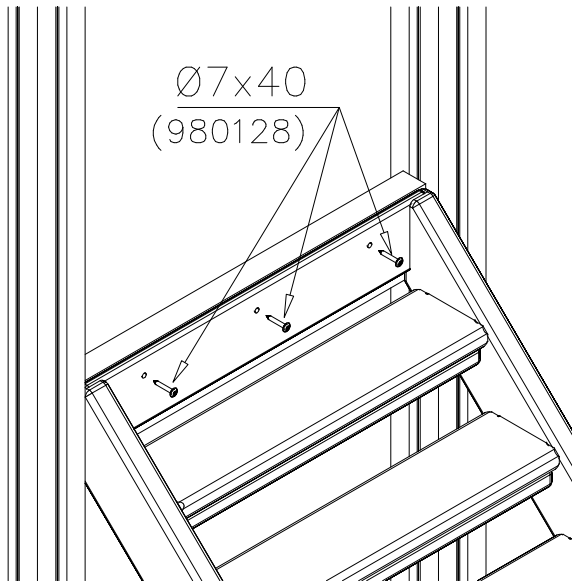
DET 1



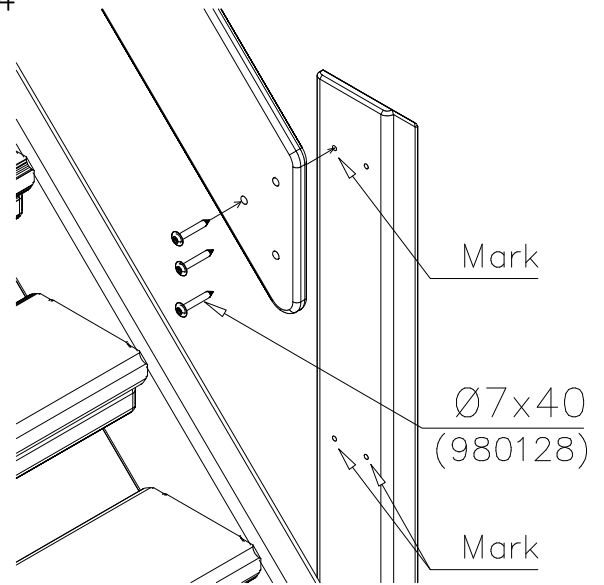
DET 2



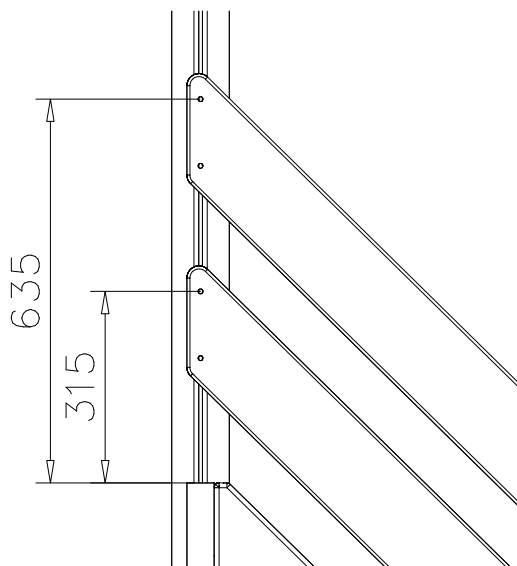
DET 3



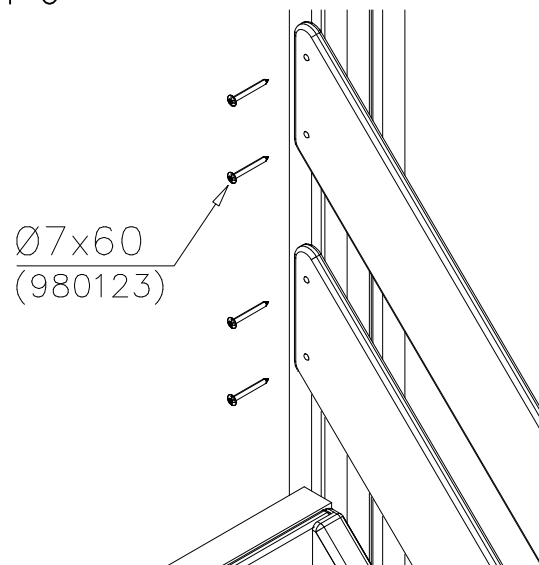
DET 4

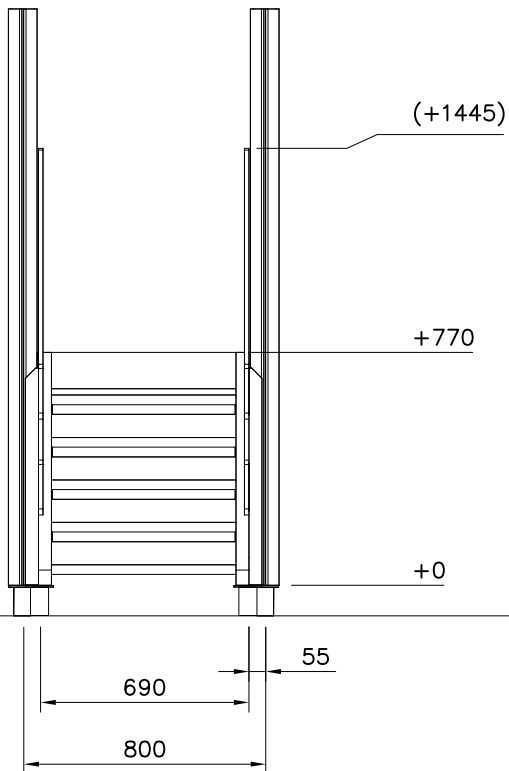


DET 5




DET 6







STAIRS OPTIONS +870

| | | |
|---|--|--|
| 707191  | 707191-602 DARK BROWN 707191-603 LIGHT BROWN 707191-604 LIGHT GRAY | |
|---|--|--|

RAILING OPTIONS




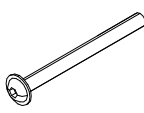
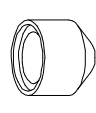
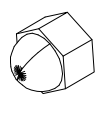
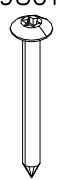
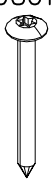
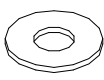
| | | |
|---|--|--------------------------------------|
| RAILS 707146  15x145x1153 | 707146-701 BLUE 707146-702 YELLOW 707146-703 LIME 707146-704 DARK GRAY 707146-705 LIGHT GRAY 707146-706 RED | 707146-707 GREEN 707146-708 FUXIA |
|---|--|--------------------------------------|

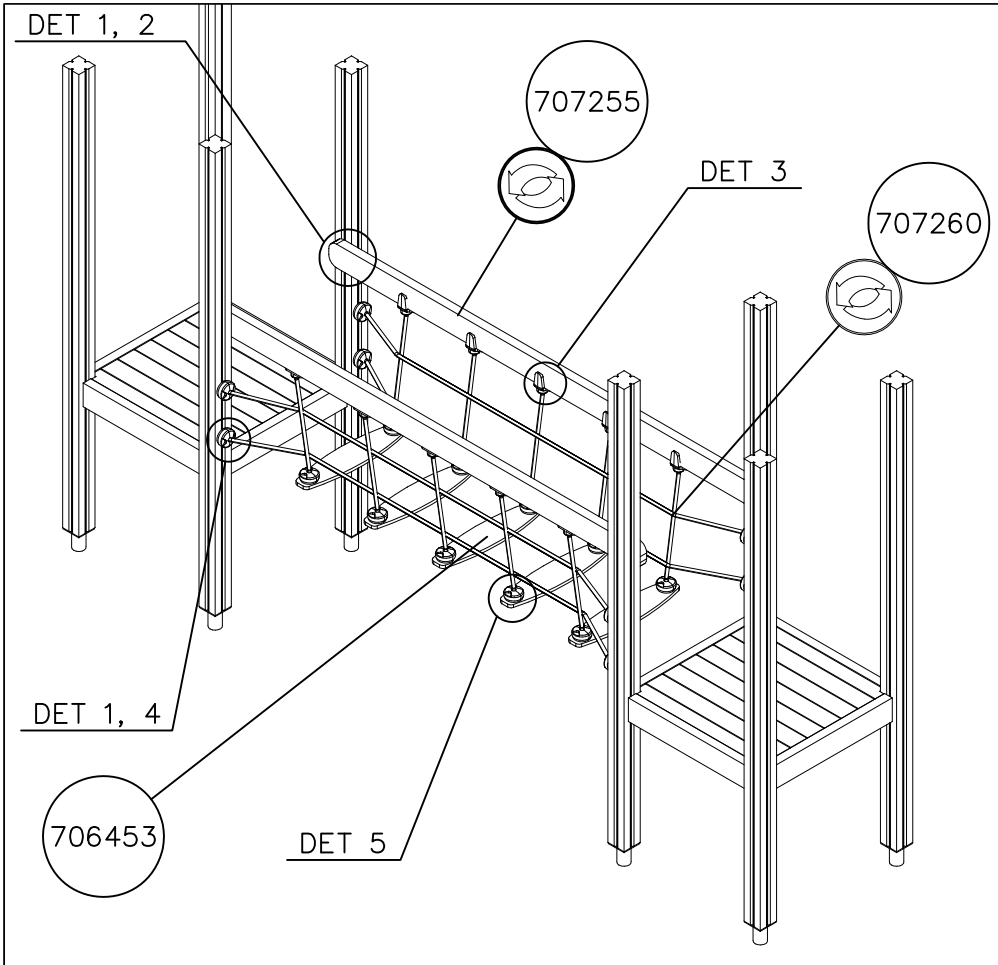
| | | |
|---|--|--|
| POST 707145  43x93x717 | 707145-602 DARK BROWN 707145-603 LIGHT BROWN 707145-604 LIGHT GRAY | |
|---|--|--|

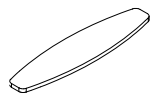
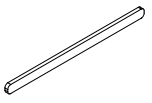
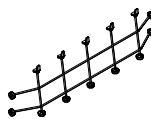
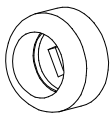
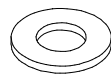

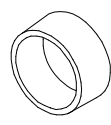
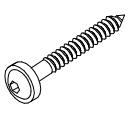
POST OPTIONS

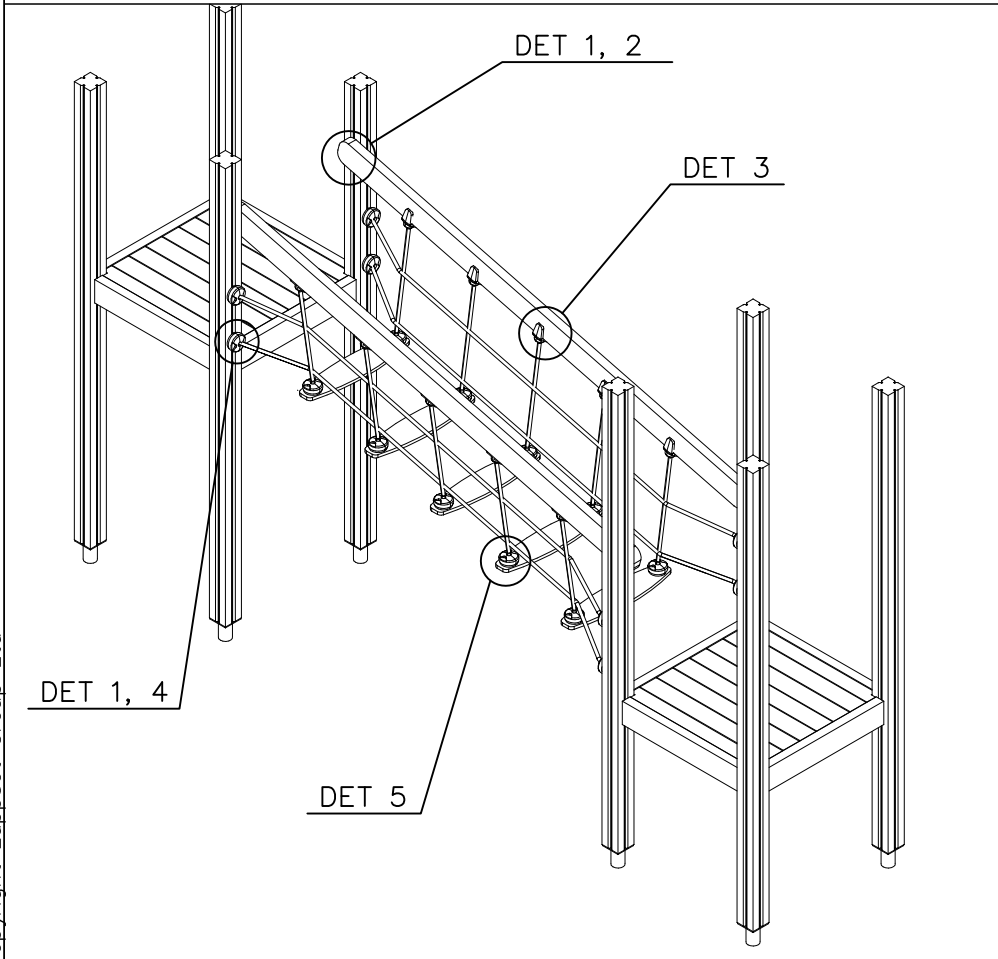
| | | |
|--|--|--|
| | | |
|--|--|--|


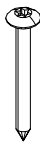
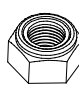
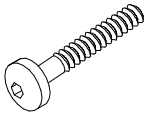
| | | |
|--|--|--|
| | | |
|--|--|--|

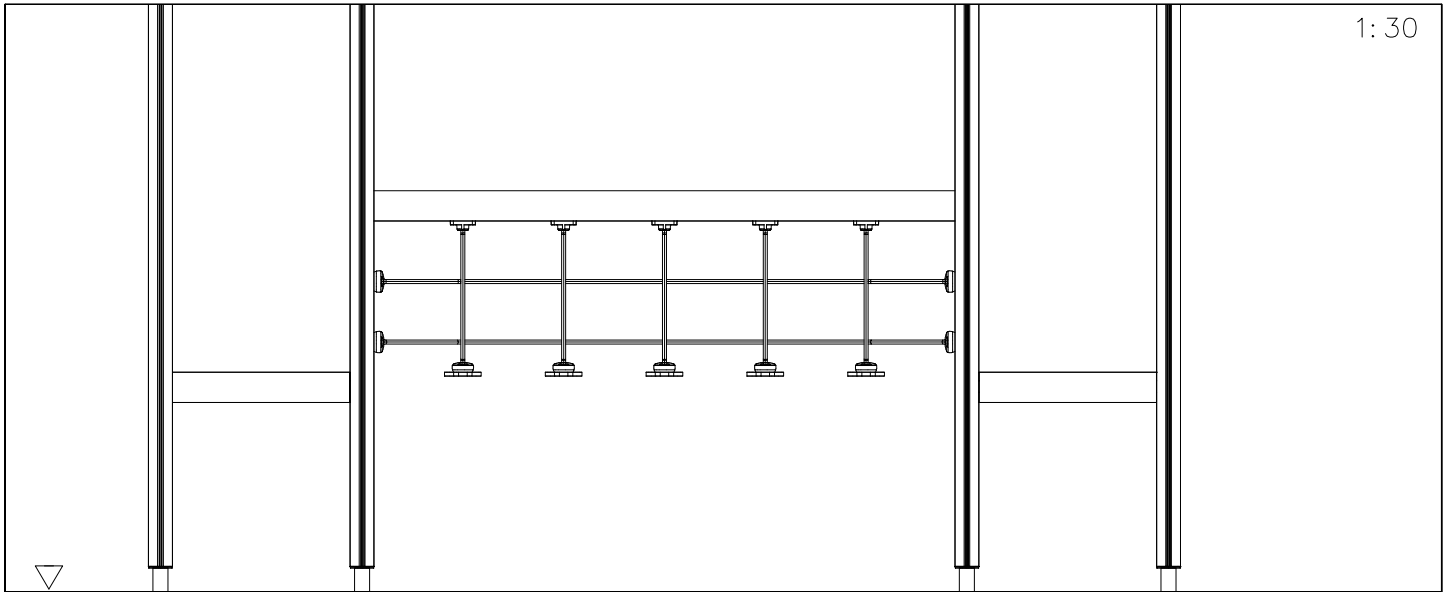
| | | | | | | | | | | | | | | | | | |
|---|--------|-----|---|--------|-----|---|--------|-----|--|--------|-----|---|--------|-----|---|--------|-----|
| ① | 707191 | PCS | ② | 707145 | PCS | ③ | 707146 | PCS | ④ | 900859 | PCS | ⑤ | 905104 | PCS | ⑥ | 909633 | PCS |
|  | | 1 |  | | 2 |  | | 4 |  | | 2 |  | | 4 |  | | 2 |
| +870 | | | 43x93x717 | | | 15x145x1153 | | | M8x90 | | | M10 | | | M8 | | |
| ⑦ | 980123 | PCS | ⑧ | 980128 | PCS | ⑨ | 980152 | PCS | | | PCS | | | PCS | | | PCS |
|  | | 8 |  | | 15 |  | | 2 | | | | | | | | | |
| Ø7x60 | | | Ø7x40 | | | Ø24/8.4x2 | | | | | | | | | | | |



| | | | |
|---|-----|---|-----|
| ① 706453 | PCS | ② 707255 | PCS |
|  | 5 |  | 2 |
| 15x145x600 | | 45x120x2480 | |
| ③ 707260 | PCS | ④ 905083 | PCS |
|  | 2 |  | 4 |
| 2375x600 | | Ø32 | |
| ⑤ 980151 | PCS | ⑥ 909232 | PCS |
|  | 4 |  | 4 |
| Ø16/8.4 | | 8x120 | |
| ⑦ 905112 | PCS | ⑧ 900240 | PCS |
|  | 4 |  | 16 |
| Ø22 | | Ø8x70 | |

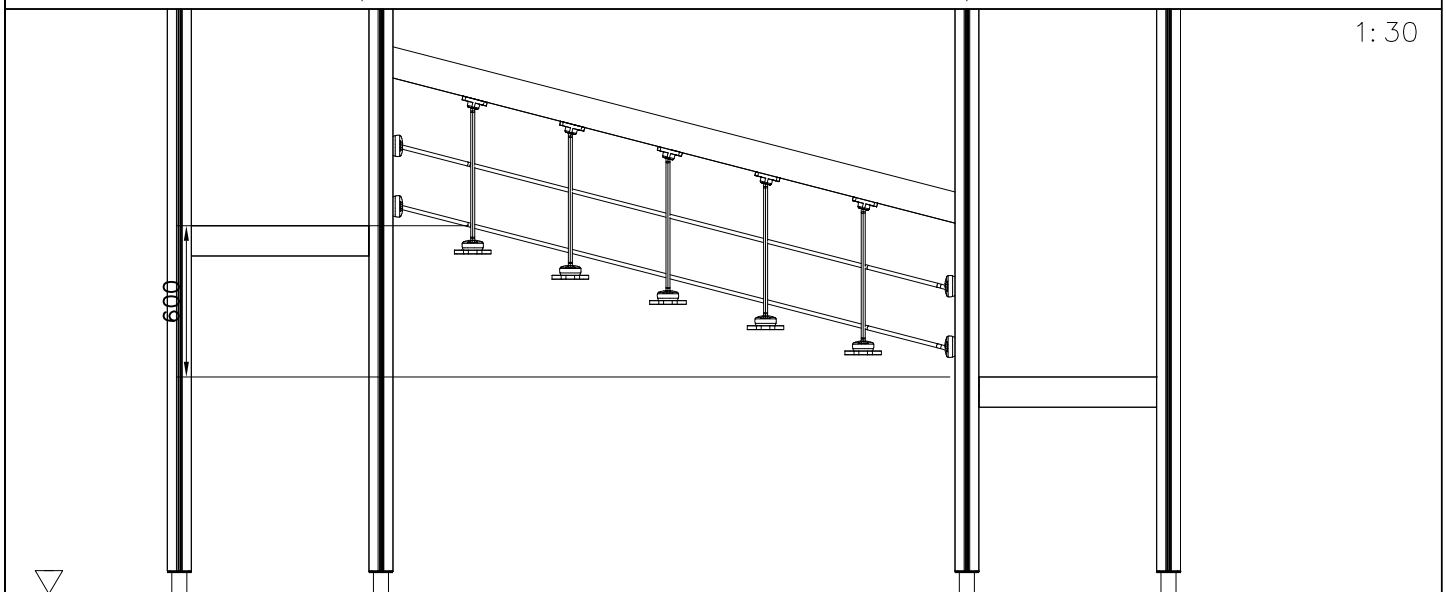


| | | | |
|---|-----|---|-----|
| ⑨ 980123 | PCS | ⑩ 980128 | PCS |
|  | 20 |  | 10 |
| Ø7x60 | | Ø7x40 | |
| ⑪ 980150 | PCS | ⑫ 901899 | PCS |
|  | 20 |  | 20 |
| M8 | | M8x45 | |
| | PCS | | PCS |
| | | | |
| | PCS | | PCS |
| | | | |



1:30

2400



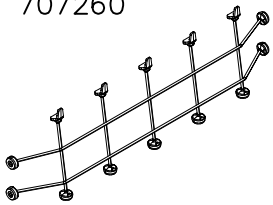
1:30

600

2320

NET OPTIONS

707260

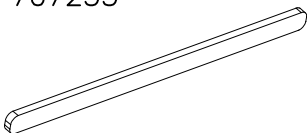


2375x600

- 707260-301 BLUE
- 707260-302 RED
- 707260-303 BEIGE
- 707260-304 GRAY
- 707260-305 BLACK
- 707260-306 YELLOW

RAILING OPTIONS

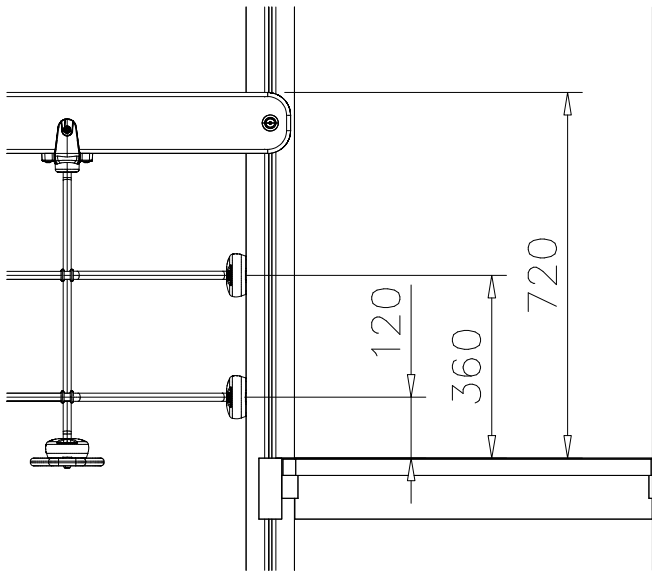
707255



45x120x2480

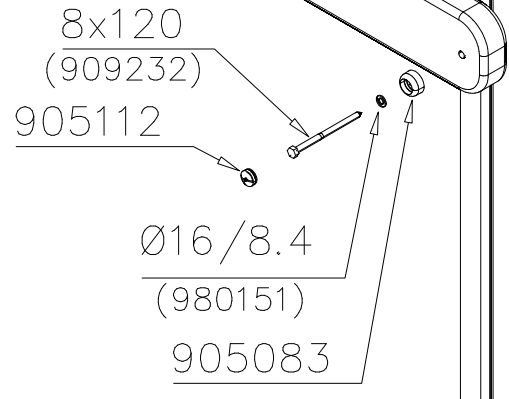
- | | |
|----------------------|-------------------|
| 707255-605 DARK GRAY | 707255-609 GREEN |
| 707255-606 GRAY | 707255-610 YELLOW |
| 707255-607 RED | 707255-611 LIME |
| 707255-608 BLUE | 707255-612 FUXIA |

DET 1

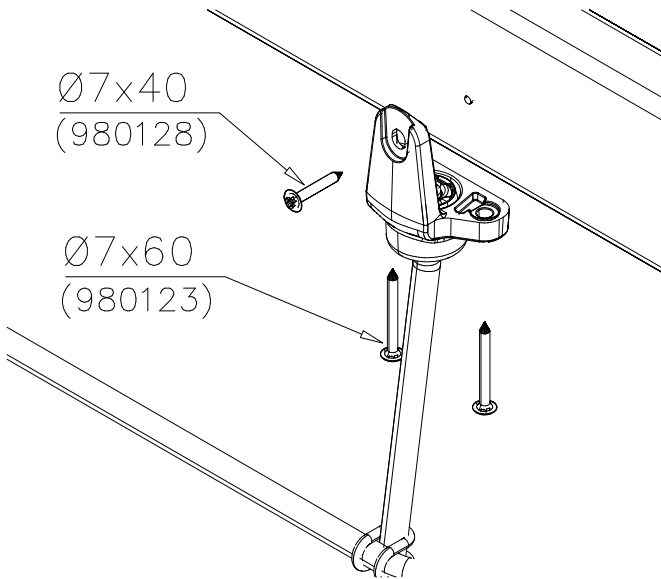


DET 2

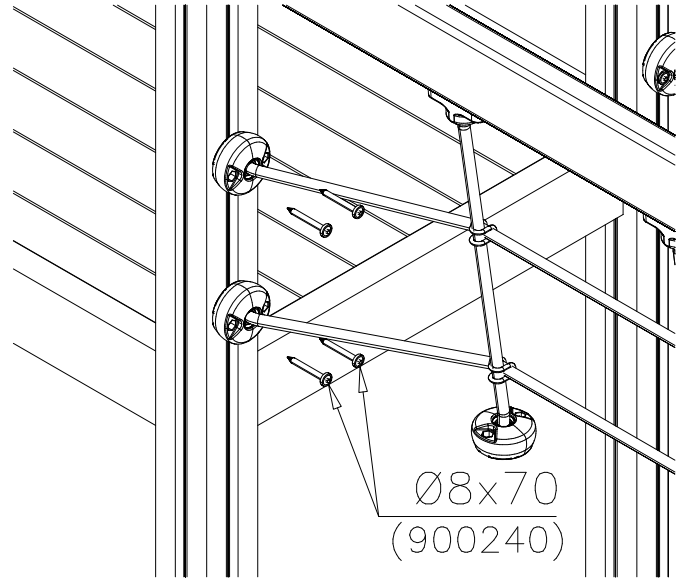
Note:
in side
Bridge



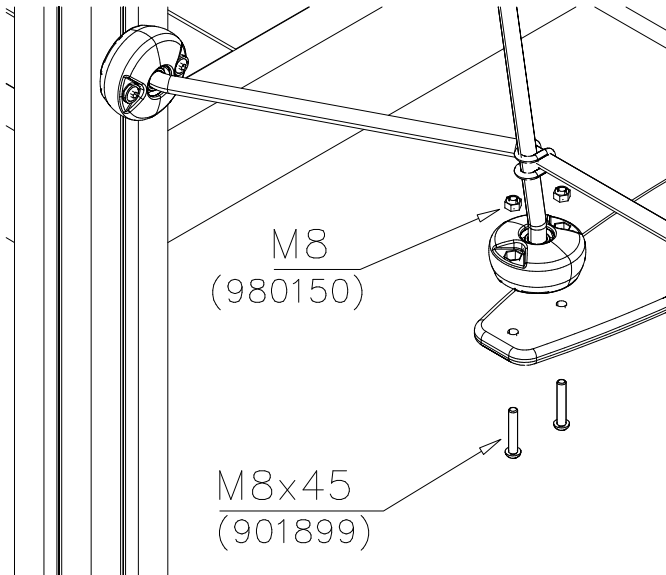
DET 3



DET 4

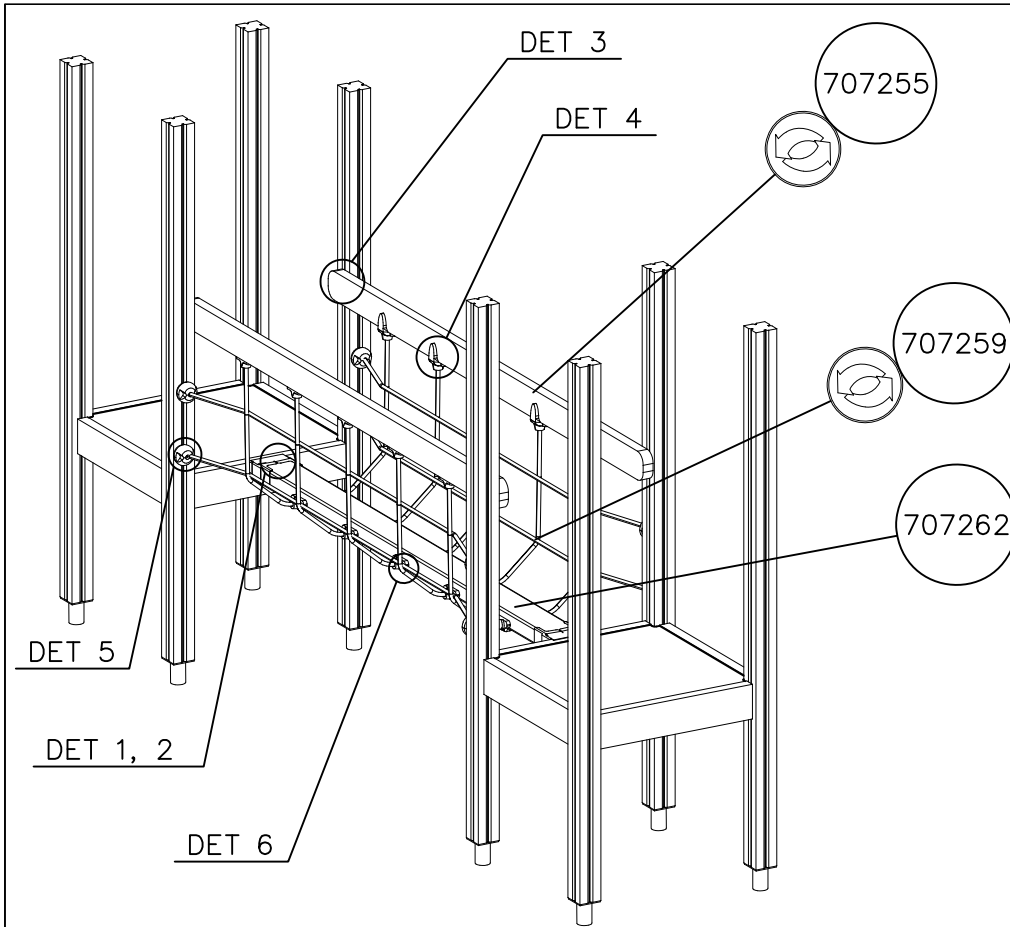


DET 5

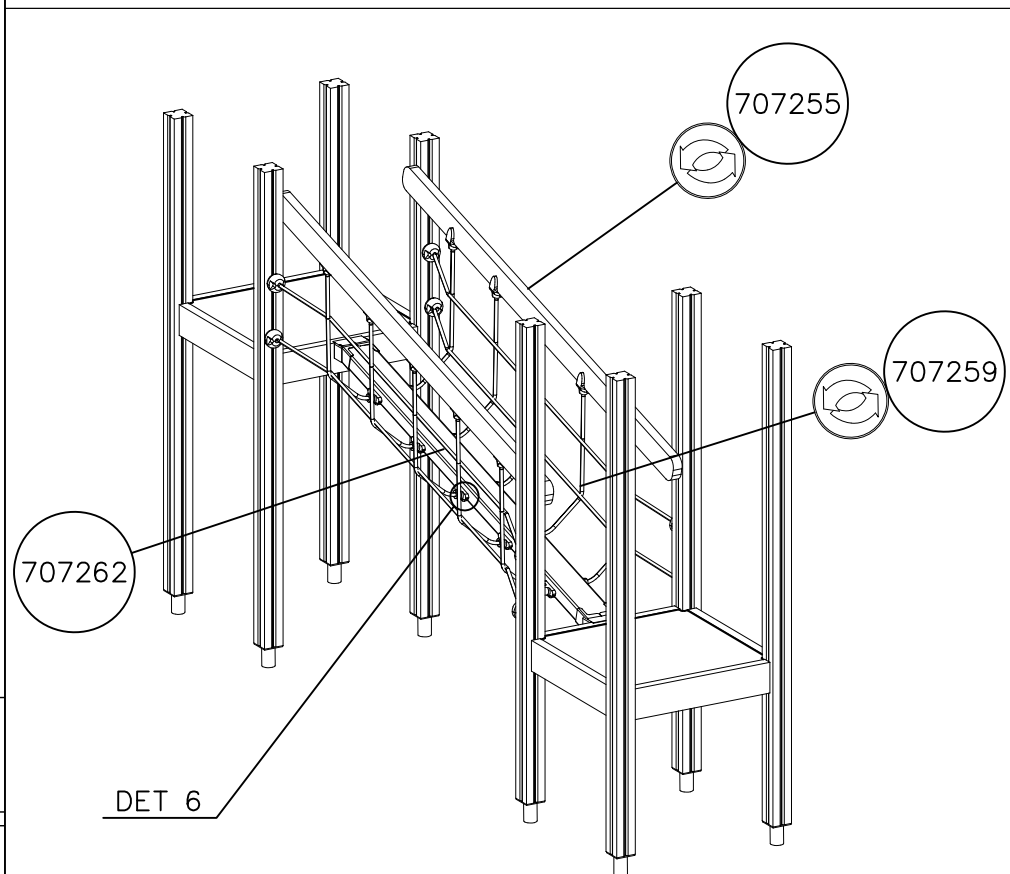


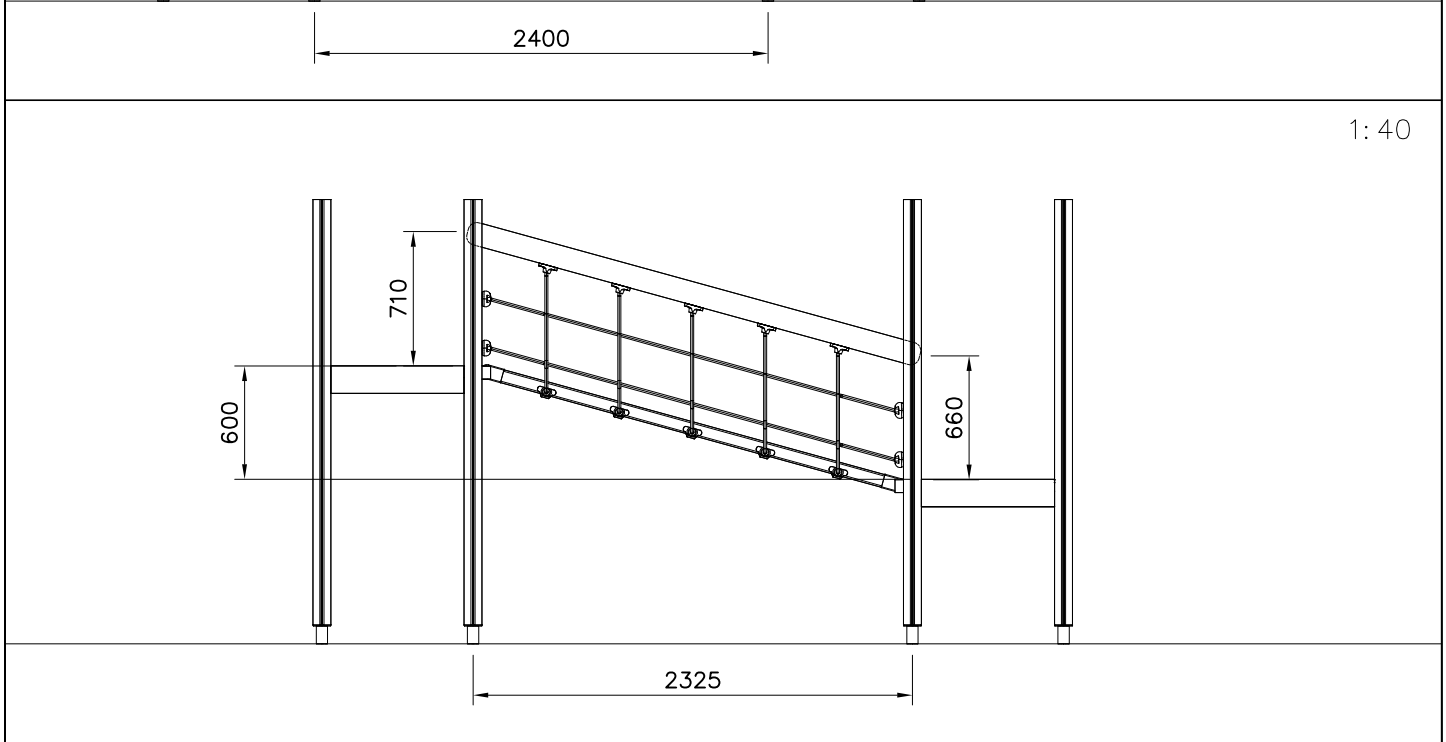
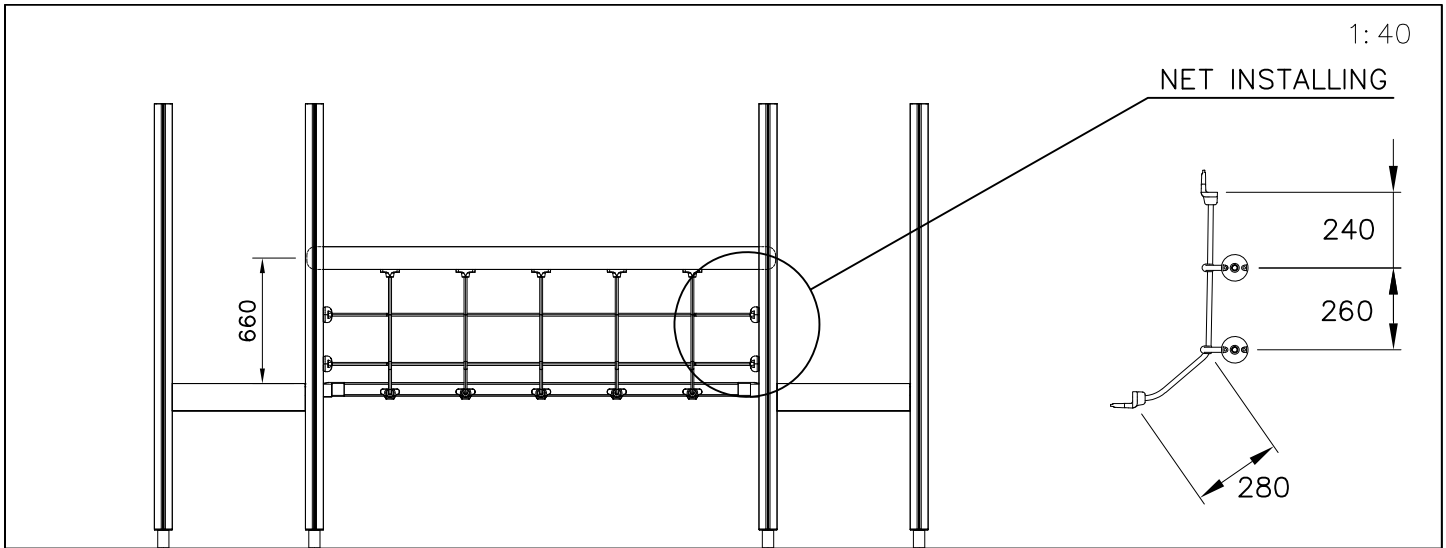
DET 6





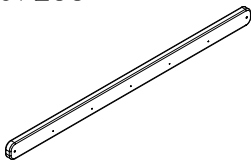
| | | | |
|-------------|-----|----------|-----|
| ① 707255 | PCS | ② 707259 | PCS |
| | 2 | | 2 |
| 45x120x2480 | | 2340x800 | |
| ③ 707262 | PCS | ④ 980123 | PCS |
| | 1 | | 40 |
| | | Ø7x60 | |
| ⑤ 980128 | PCS | ⑥ 909232 | PCS |
| | 28 | | 4 |
| Ø7x40 | | 8x120 | |
| ⑦ 900240 | PCS | ⑧ 980151 | PCS |
| | 16 | | 4 |
| 8x70 | | Ø16/8.4 | |
| ⑨ 905083 | PCS | ⑩ 905112 | PCS |
| | 4 | | 8 |
| Ø32 | | Ø22 | |
| | PCS | | PCS |
| | | | |
| | PCS | | PCS |
| | | | |
| | PCS | | PCS |
| | | | |





BOOM OPTIONS

707255



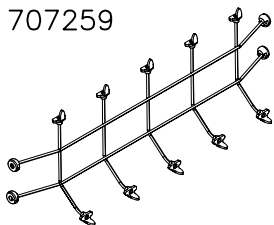
45x120x2480

| | |
|------------|-------------|
| 707255-602 | DARK BROWN |
| 707255-603 | LIGHT BROWN |
| 707255-604 | LIGHT GRAY |
| 707255-605 | DARK GRAY |
| 707255-606 | GRAY |
| 707255-607 | RED |

| | |
|------------|--------|
| 707255-608 | BLUE |
| 707255-609 | GREEN |
| 707255-610 | YELLOW |
| 707255-611 | LIME |
| 707255-612 | FUXIA |

NET OPTIONS

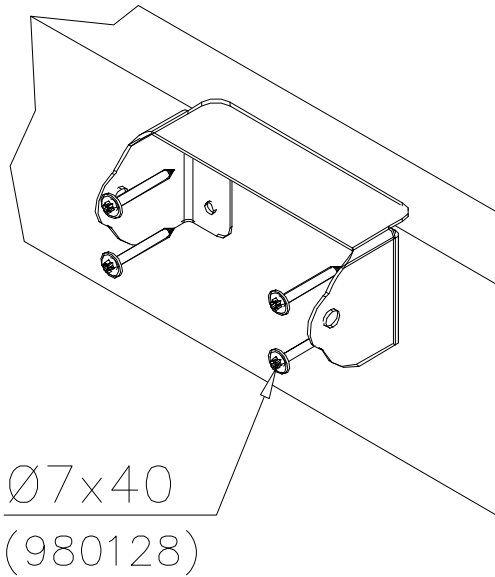
707259



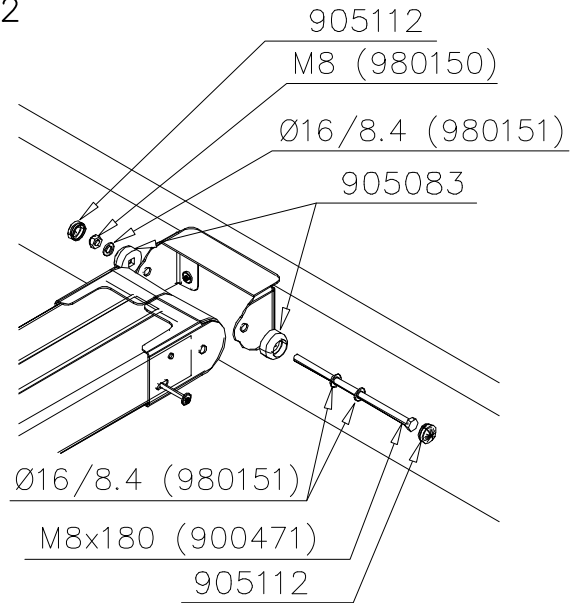
2340x800

| | |
|------------|--------|
| 707259-301 | BLUE |
| 707259-302 | RED |
| 707259-303 | BEIGE |
| 707259-304 | GRAY |
| 707259-305 | BLACK |
| 707259-306 | YELLOW |

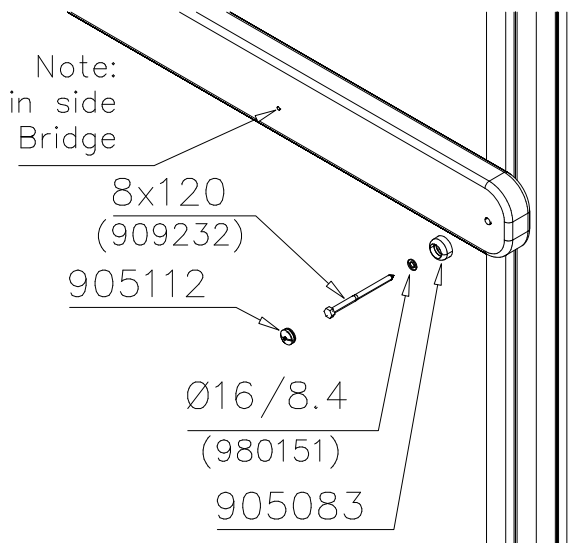
DET 1



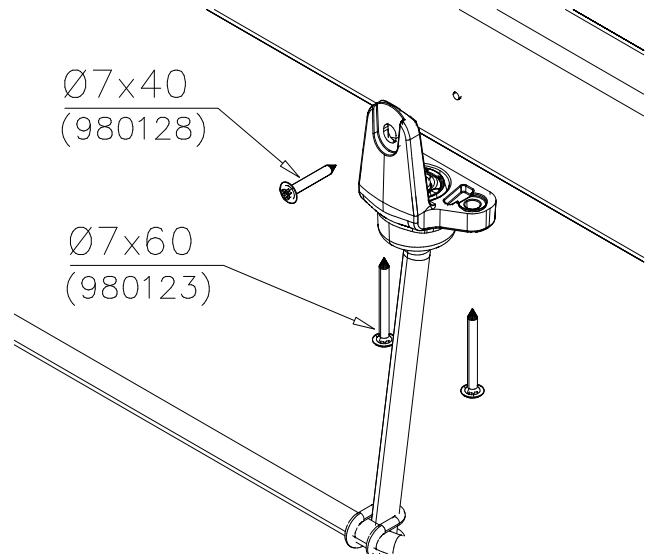
DET 2



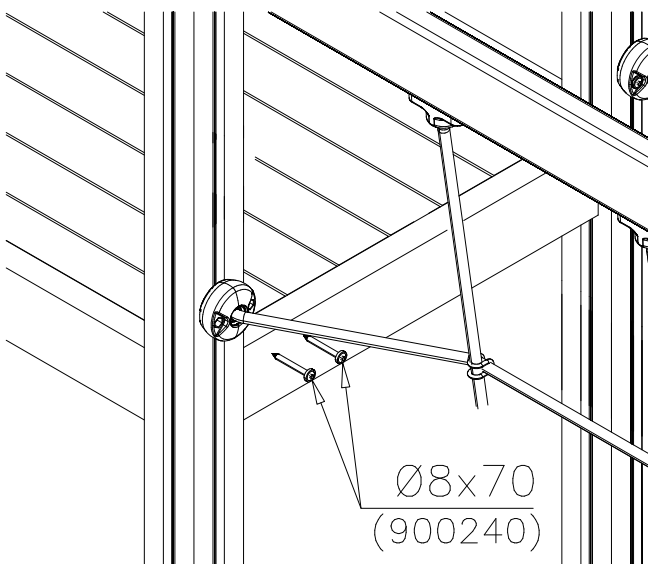
DET 3



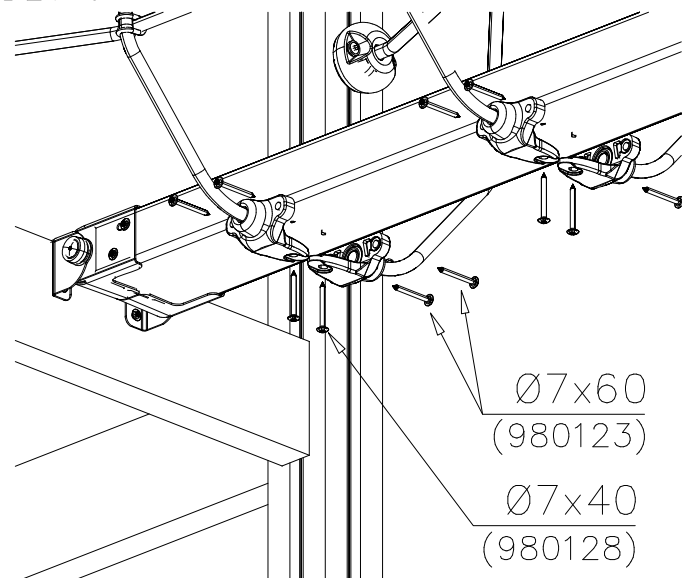
DET 4

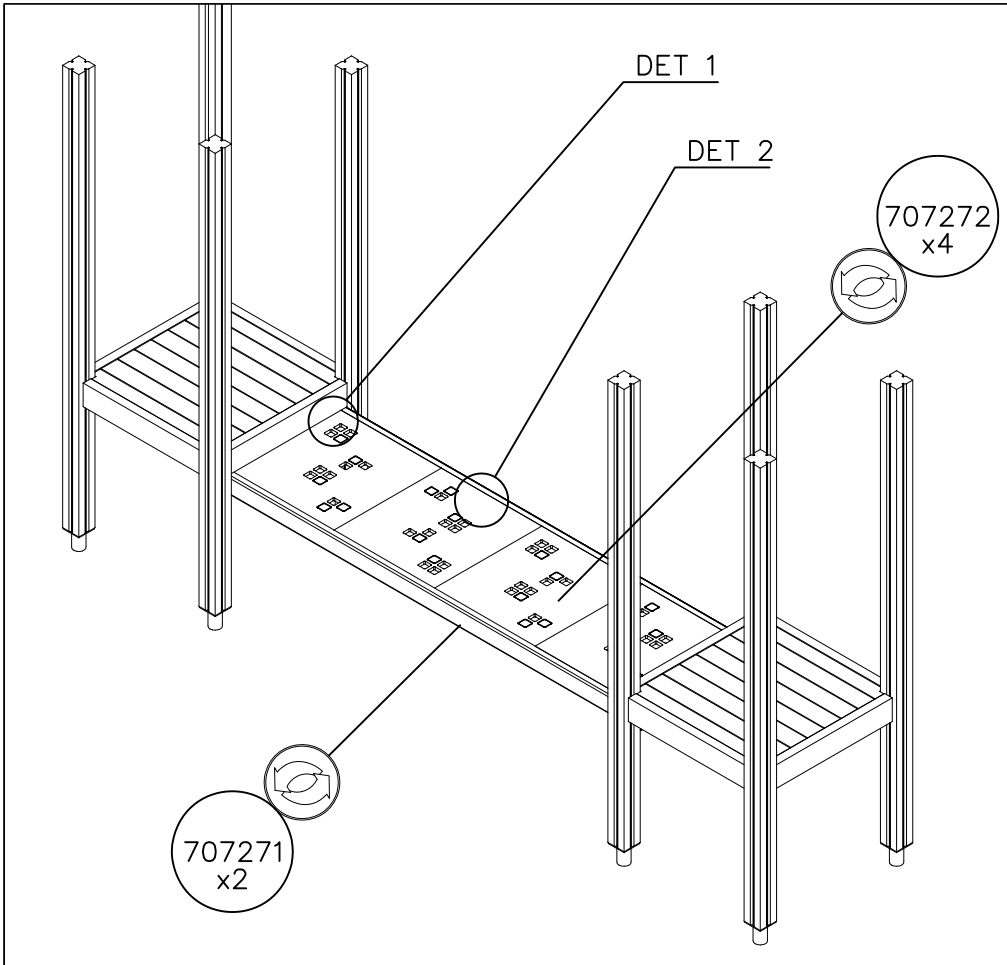


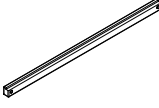
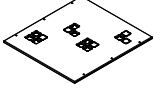

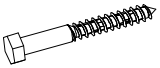
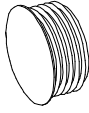

DET 5

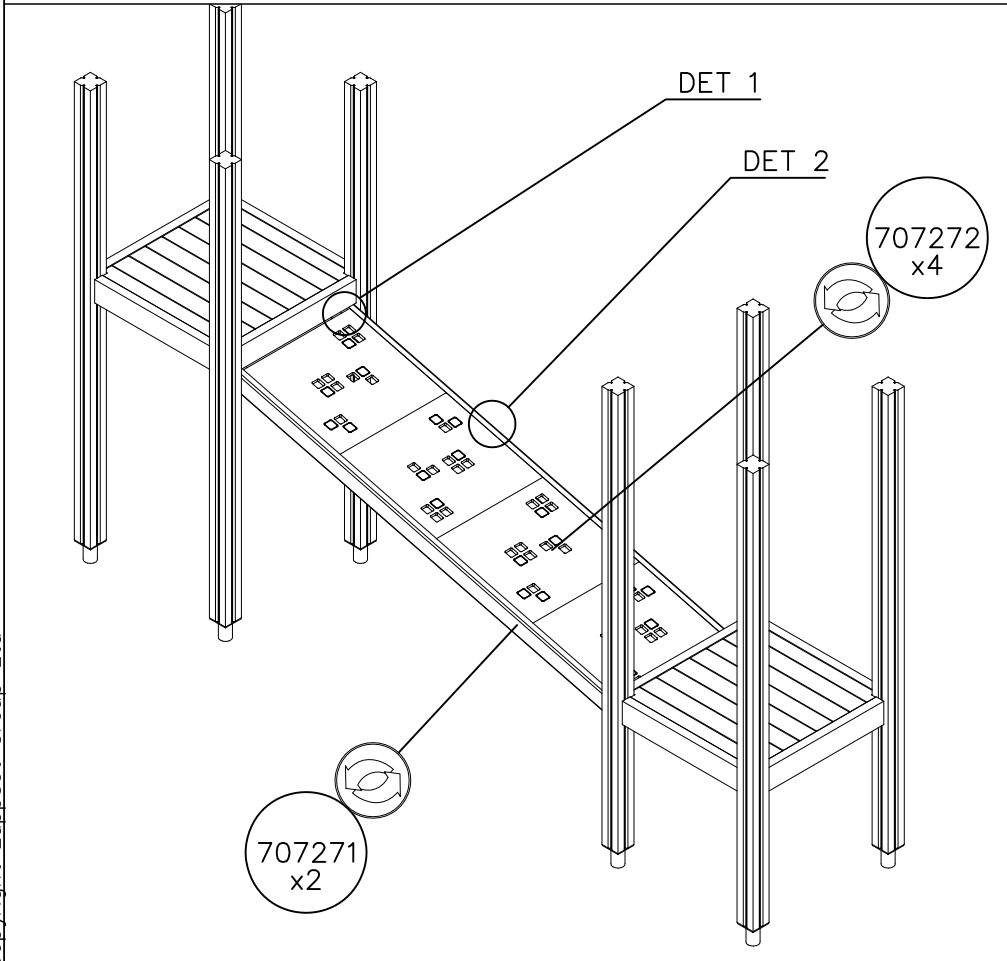


DET 6

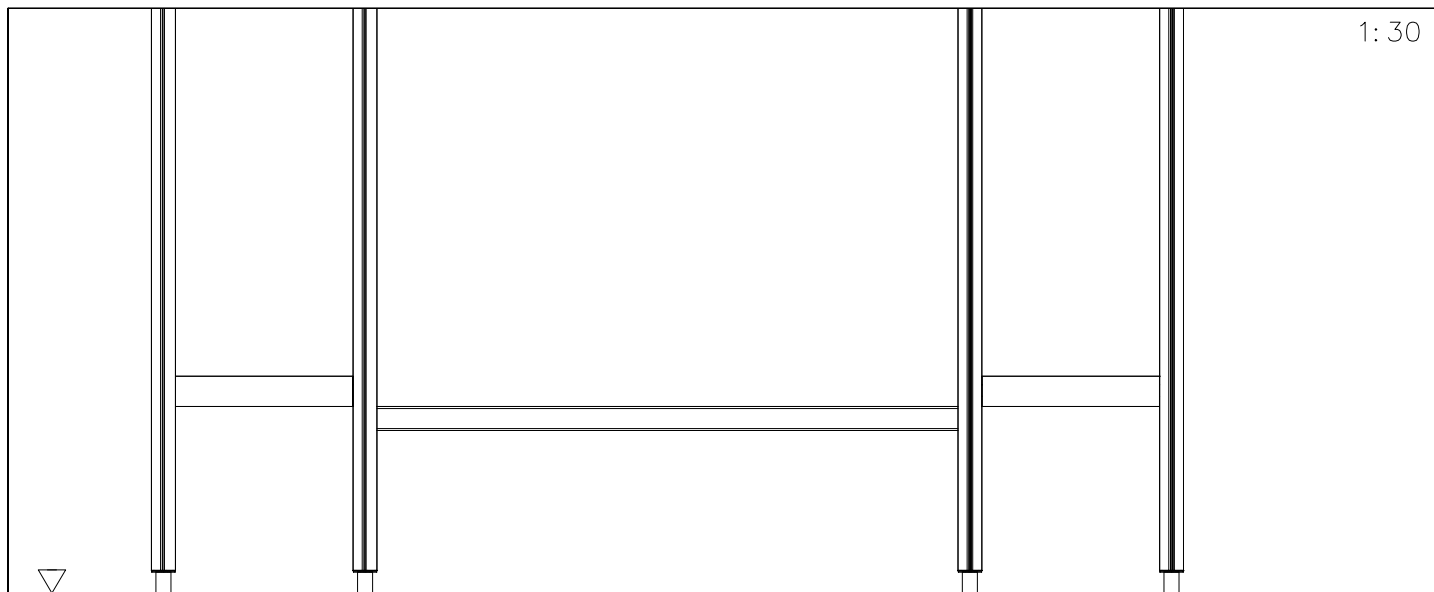




| | | | | | |
|---|---|-----|---|---|-----|
| ① | 707271 | PCS | ② | 707272 | PCS |
| | | 2 | | | 4 |
| |  | | |  | |
| | 70x95x2480 | | | 15x630x590 | |
| ③ | 980154 | PCS | ④ | 909224 | PCS |
| | | 4 | | | 4 |
| |  | | |  | |
| | Ø24/13 | | | 12x100 | |
| ⑤ | 905103 | PCS | ⑥ | 980123 | PCS |
| | | 4 | | | 24 |
| |  | | |  | |
| | PT-28/32-H | | | Ø7x60 | |
| | | PCS | | | PCS |

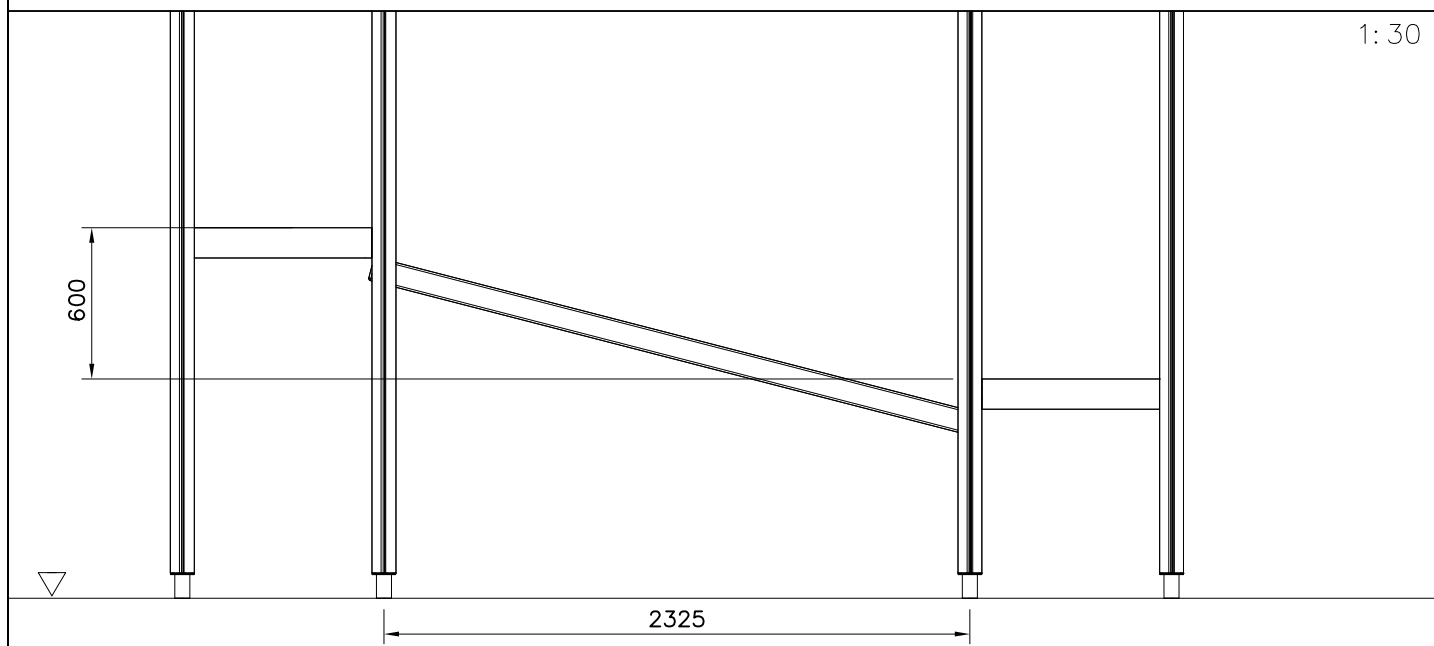


| | | | | | |
|--|--|-----|--|--|-----|
| | | PCS | | | PCS |
| | | | | | |
| | | PCS | | | PCS |
| | | | | | |
| | | PCS | | | PCS |
| | | | | | |
| | | PCS | | | PCS |
| | | | | | |



1:30

2400



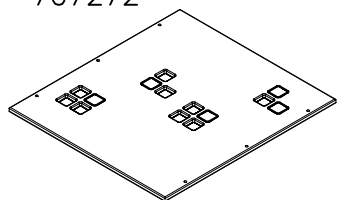
1:30

600

2325

PLATE OPTIONS

707272



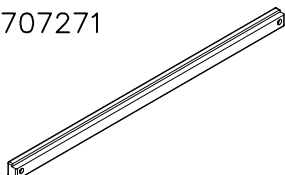
15x630x590

- 707272-701 BLUE
- 707272-702 YELLOW
- 707272-703 LIME
- 707272-704 DARK GRAY
- 707272-705 GRAY
- 707272-706 RED

- 707272-707 GREEN
- 707272-708 FUXIA

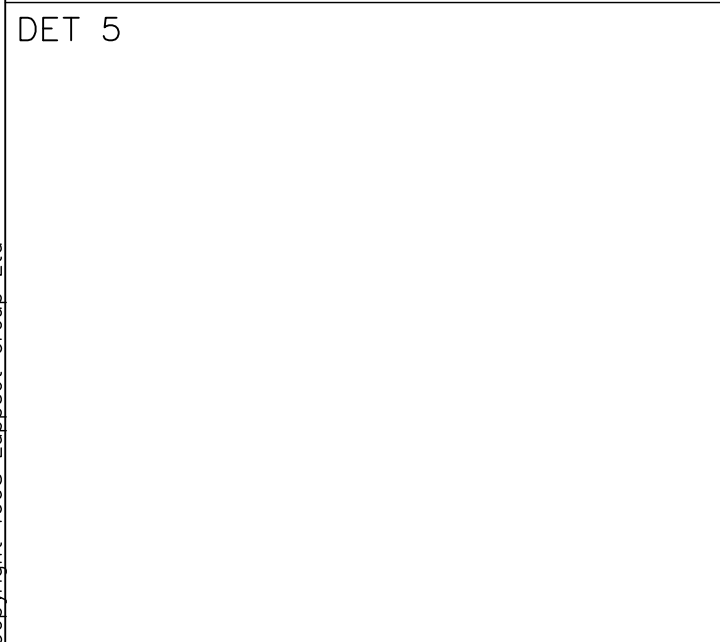
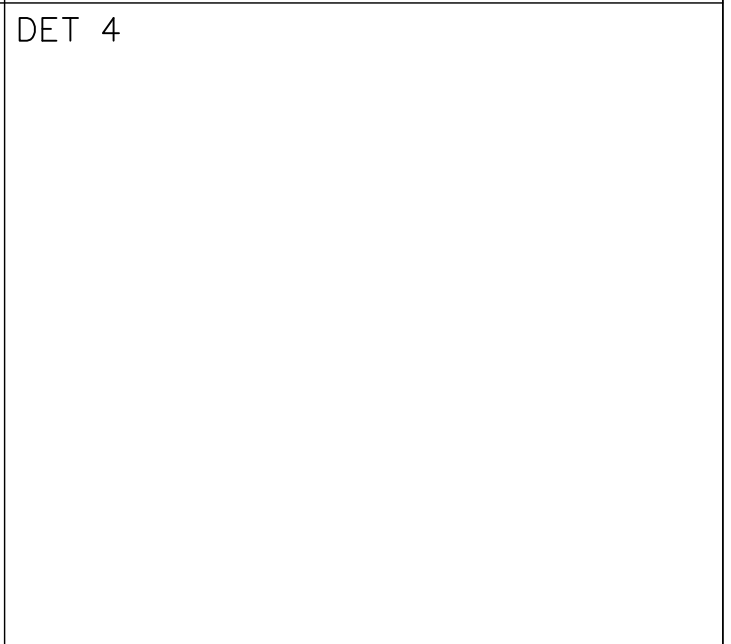
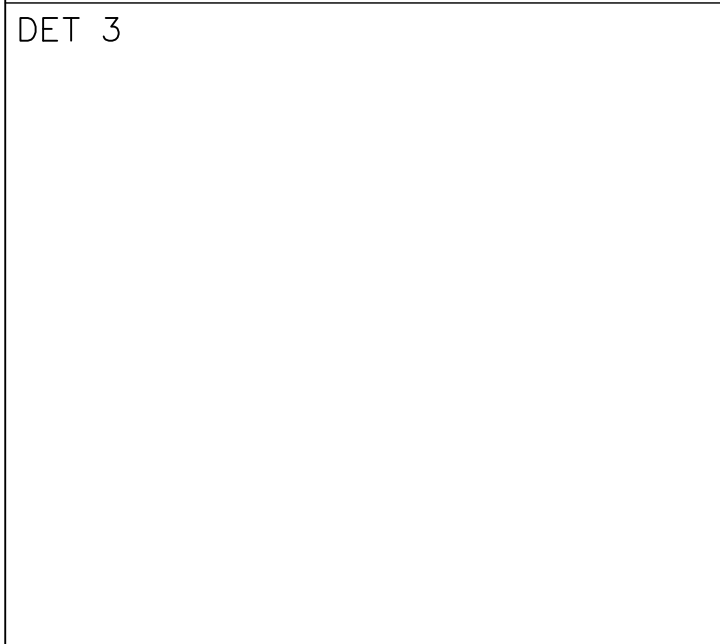
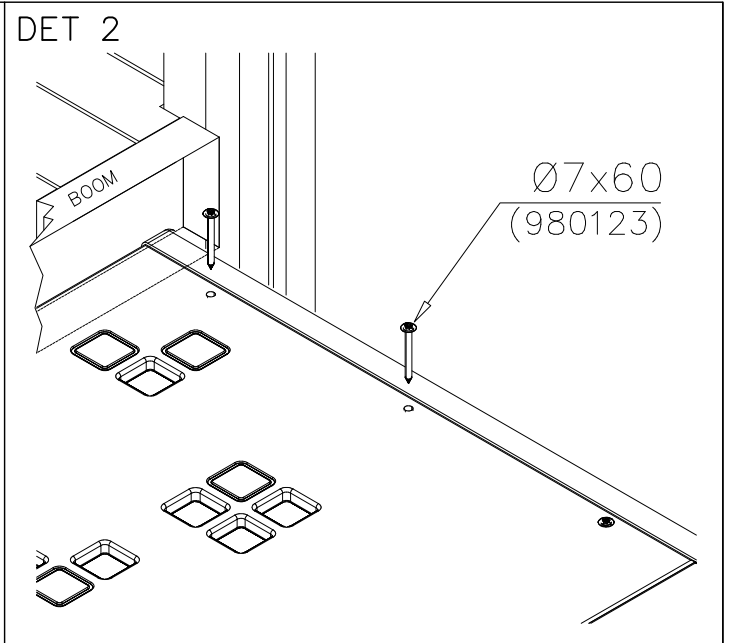
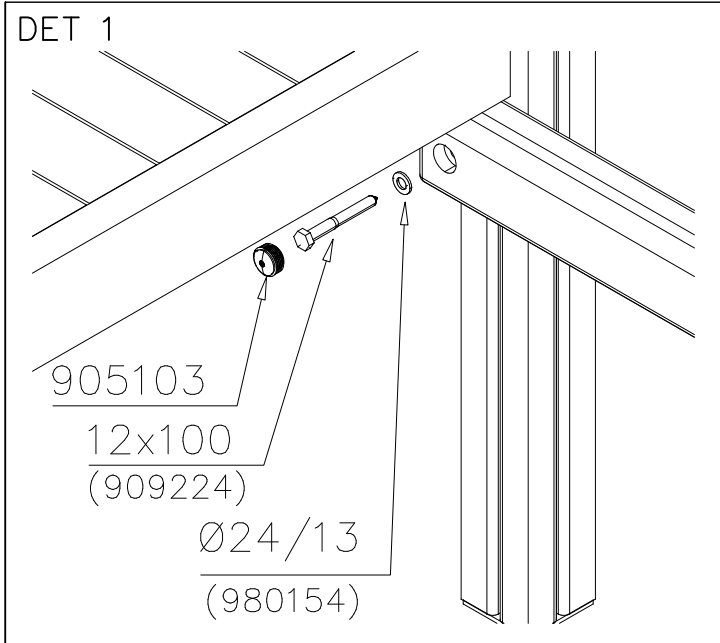
BOOM OPTIONS

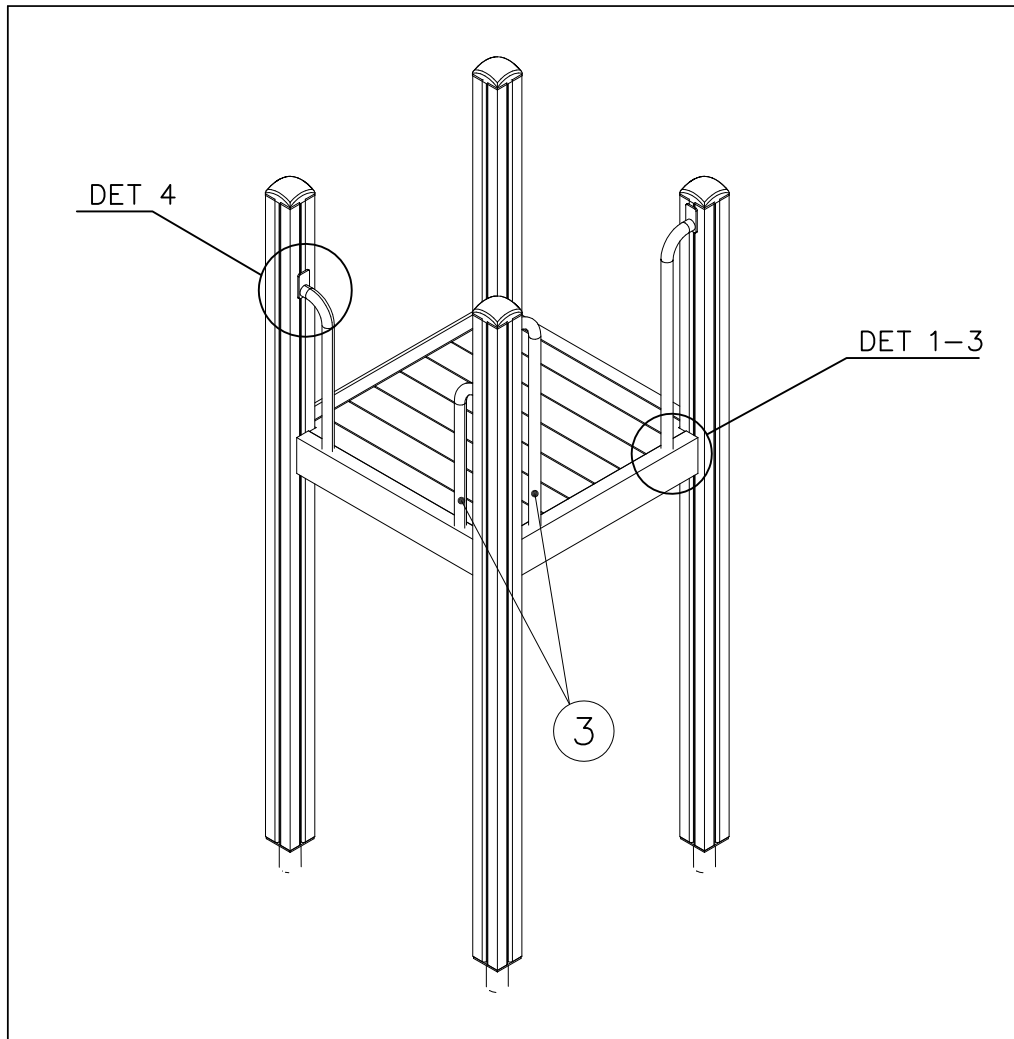
707271

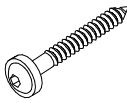





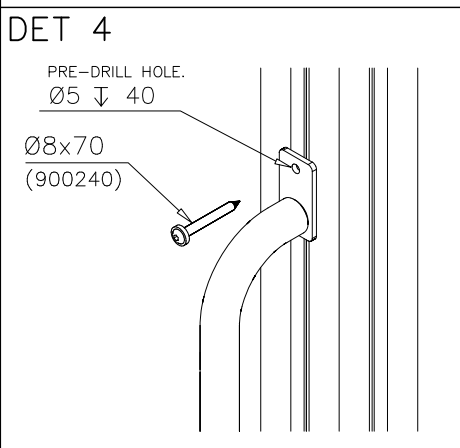
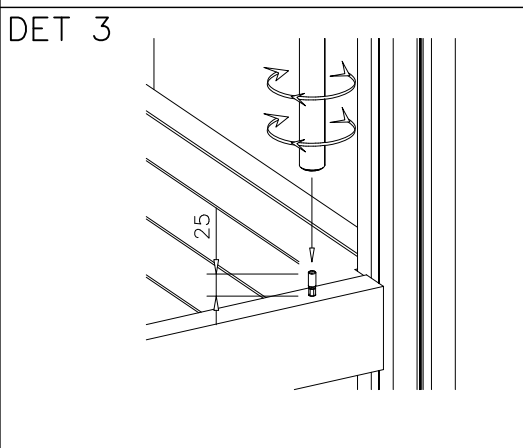
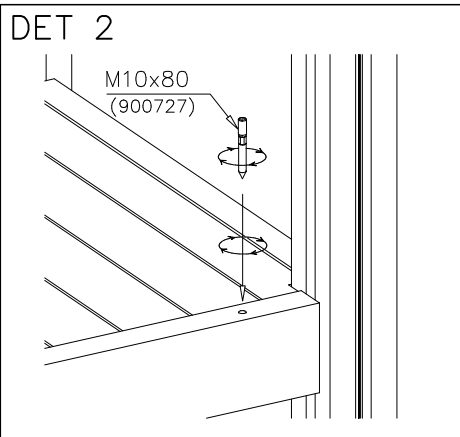
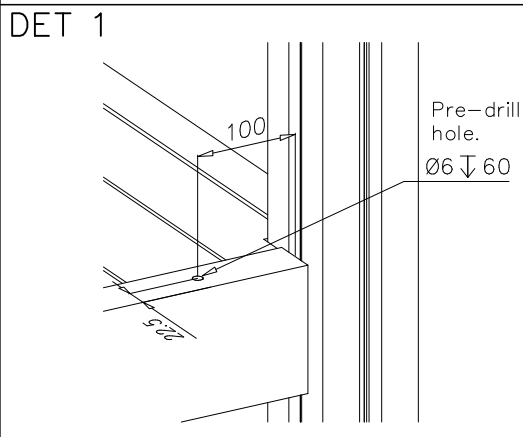
70x95x2480

- 707271-602 DARK BROWN
- 707271-603 LIGHT BROWN
- 707271-604 LIGHT GRAY





| | | | |
|--|----------|---|----------|
| ① 900240  Ø8x70 | PCS 1 | ② 900727  M10x80 | PCS 1 |
| | PCS | | PCS |
| ③ 907688  765 | PCS 1 | ③ 907701  545 | PCS 1 |
| | PCS | | PCS |
| | PCS | | PCS |
| | PCS | | PCS |
| | PCS | | PCS |
| | PCS | | PCS |
| | PCS | | PCS |



**Tuotekyltti tulee tuotteen mukana yhdellä seuraavista tavoista:****1) Metallinen tuotekyltti ja kiinnitysruuvit**

- Kiinnitä tuotekyltti ruuveilla tolppaan noin 2 metrin korkeuteen kuvan 1 mukaisesti.

2) Tuotekylttitarra

- Puhdista maalattu metalli- tai vaneripinta pölystä ja kosteudesta. Liimaa tarra kuvan 2 mukaisesti.
- Huom. Älä kiinnitä tarraa karheapintaiseen laminaattiin tai maalattuun puuhun.

Vår produktmärkning levereras på ett av följande sätt:**1) Produktskylt i metall**

- Fäst skylten med de medföljande skruvarna

2) Självhäftande produktetikett

- Rengör den pulverlackerade metallytan eller laminatyten så att den blir fri från smuts och fukt. Fäst etiketten enligt fig. 2.
- Obs! Fäst ej etiketten på detaljer med skrovlig yta eller på målat trä.

Product label is delivered by one of following ways:**1) Metal product label and screws**

- Fasten the label with screws.

2) Label sticker

- Clean the painted metal or plywood surface from dirt and moisture. Fasten the sticker as shown in the figure 2.
- Note. Do not attach the sticker to rough surfaced laminate or painted wood.

La plaque d'informations produit est livrée sous l'une de ces 3 formes :**1) Plaque métallique et vis**

- Fixez la plaque à l'aide des vis.

2) Etiquette autocollante

- Avant de coller l'étiquette, nettoyez le composant métallique peint ou la plaque de contreplaqué, de toute saleté. La surface doit être sèche (voir image 2).
- Attention, ne pas coller l'étiquette sur une surface lamellé-collée irrégulière ou sur du bois peint.

Die Auslieferung des Produktaufklebers erfolgt auf eine dieser Arten:**1) Produkt-Schild aus Metall incl. Schrauben**

- Die Befestigung des Schildes erfolgt mittels der Schrauben.

2) Aufkleber

- Entfernen Sie zunächst Schmutz und Feuchtigkeit vom lackierten Metall bzw. von der Holzoberfläche und bringen Sie den Aufkleber wie im Bild oben rechts beschrieben auf den gesäuberten Untergrund auf.
- Beachten Sie: Bringen Sie den Aufkleber nicht auf raues laminiertes oder lackiertes Holz an.