

① 709927	PCS	② 709916	PCS
	1		2
		45x95x2500	

③ 911481	PCS	④ 708710	PCS
	4		3

⑤ 709923	PCS	⑥ 709917	PCS
	1		1
45x95x2500		45x95x2500	

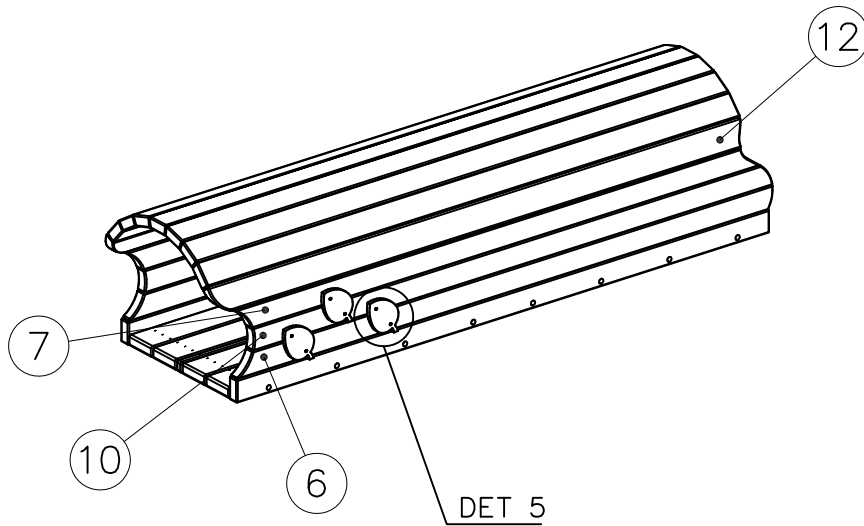
⑦ 709919	PCS	⑧ 709921	PCS
	1		1
45x95x2500		45x95x2509	

⑨ 709922	PCS	⑩ 709918	PCS
	1		1
45x95x2440		45x95x2440	

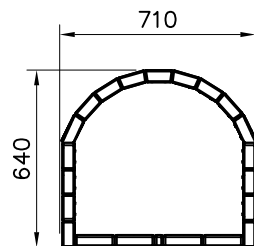
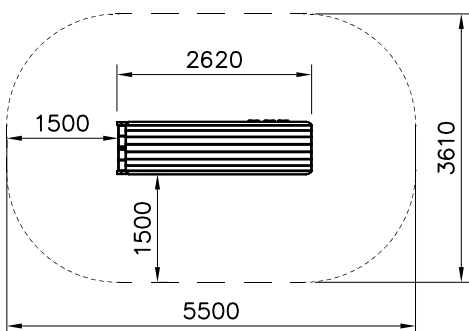
⑪ 709924	PCS	⑫ 709920	PCS
	1		1
		45x95x2500	

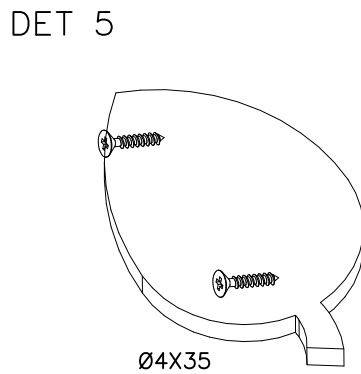
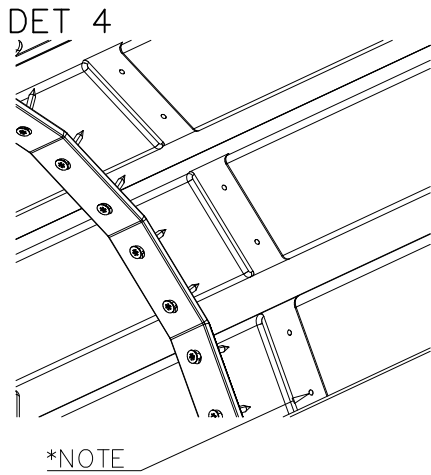
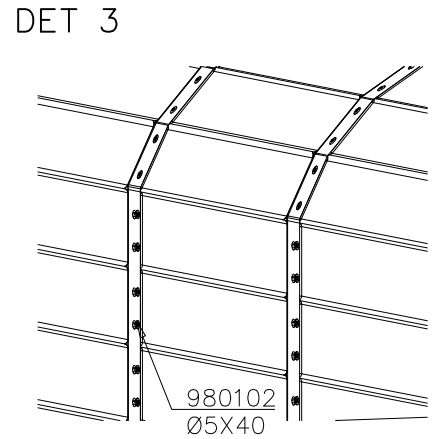
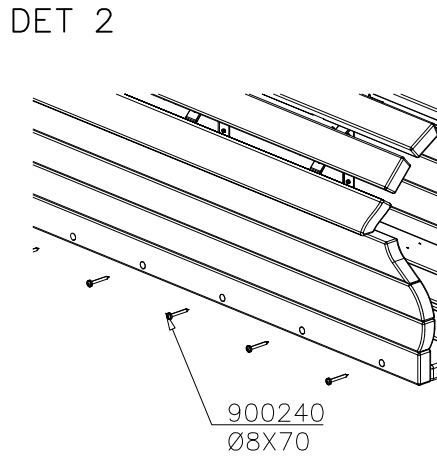
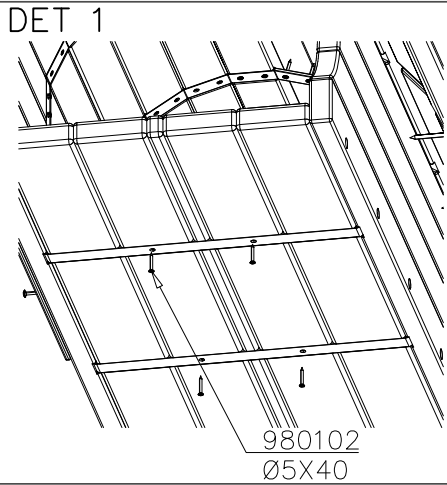
⑬ 709925	PCS	⑭ 900240	PCS
	7		16
45x95x2500			

⑮ 980102	PCS	⑯ 980110	PCS
	128		6
Ø5x40/24		Ø4x35	



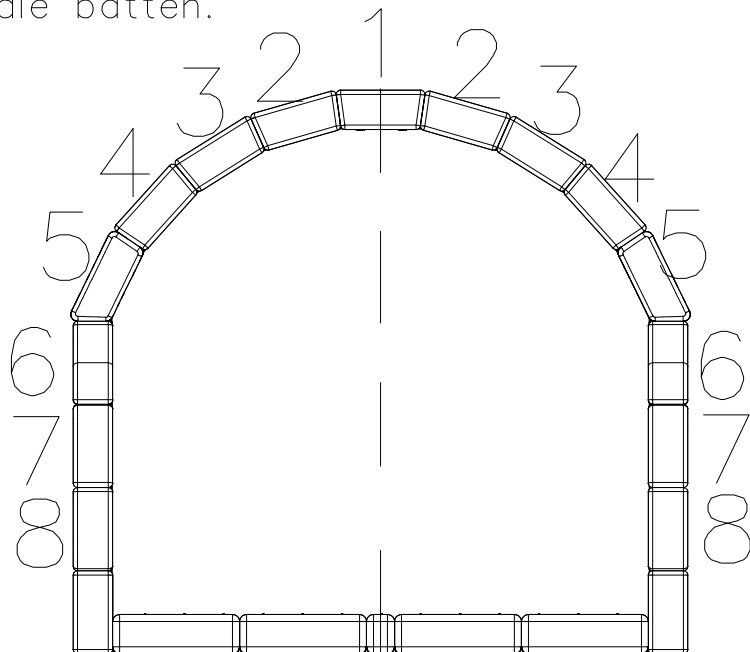
----- Falling Space 17.9 m2

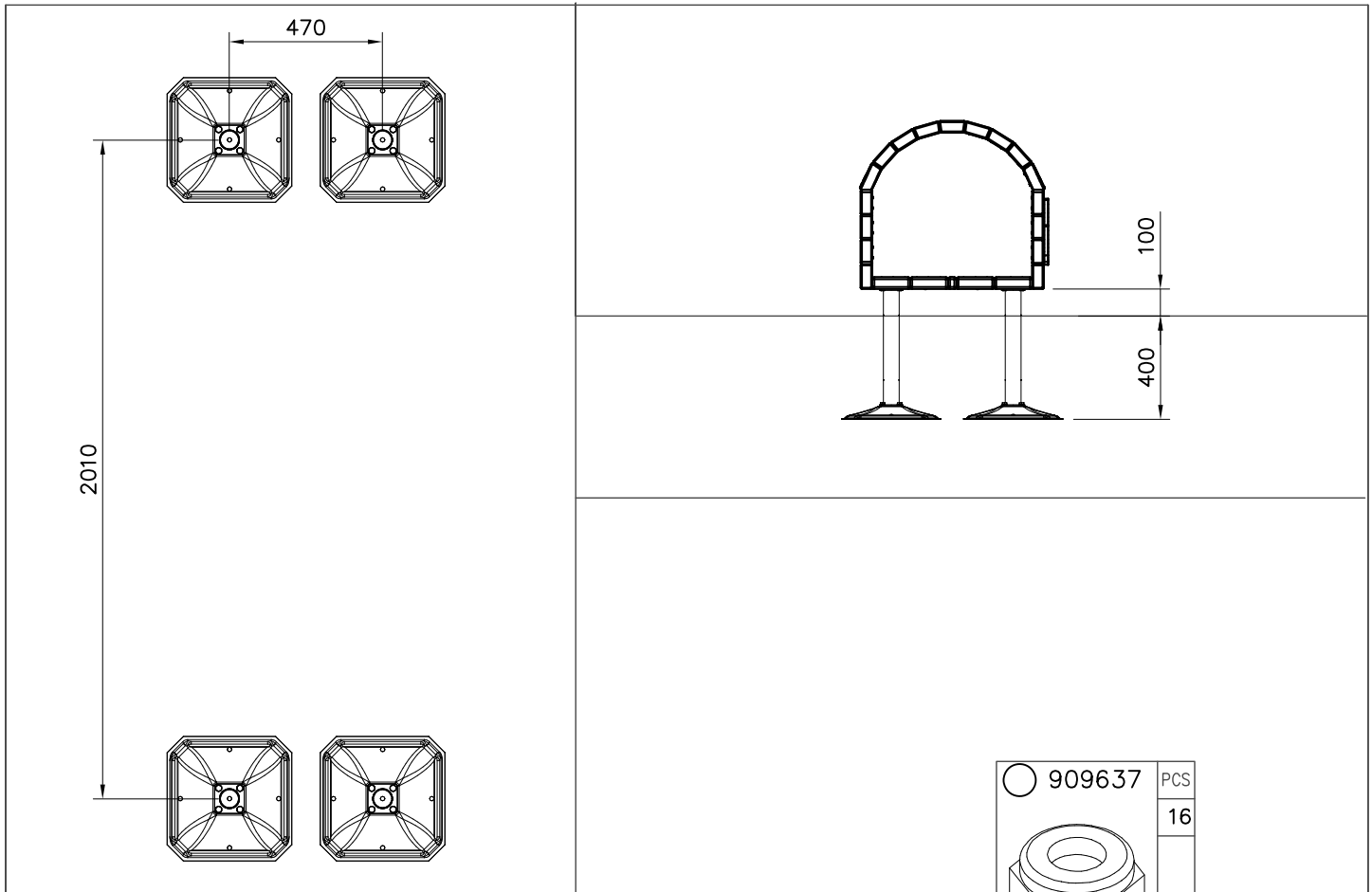




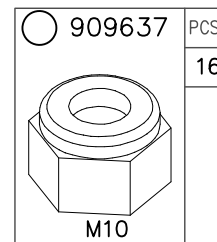
All battens have grooves for spine placement. The floor elements(709927) grooves are faced downwards so the spine will be hidden(DET 1).

*NOTE
 Top battens have pre-holes for correct placement, start assembling from the middle batten.





Deep Foundation



<p>902272</p> <p>PCS 4</p> <p>90x90x450</p>	<p>909519</p> <p>PCS 4</p> <p>50x380x380</p>	<p>909256</p> <p>PCS 16</p> <p>Ø16/8.4x1.6</p>	<p>909639</p> <p>PCS 16</p> <p>M10x25</p>	<p>909638</p> <p>PCS 32</p> <p>Ø20/10.5</p>	<p>980128</p> <p>PCS 16</p> <p>Ø7x40</p>
---	--	--	---	---	--

