

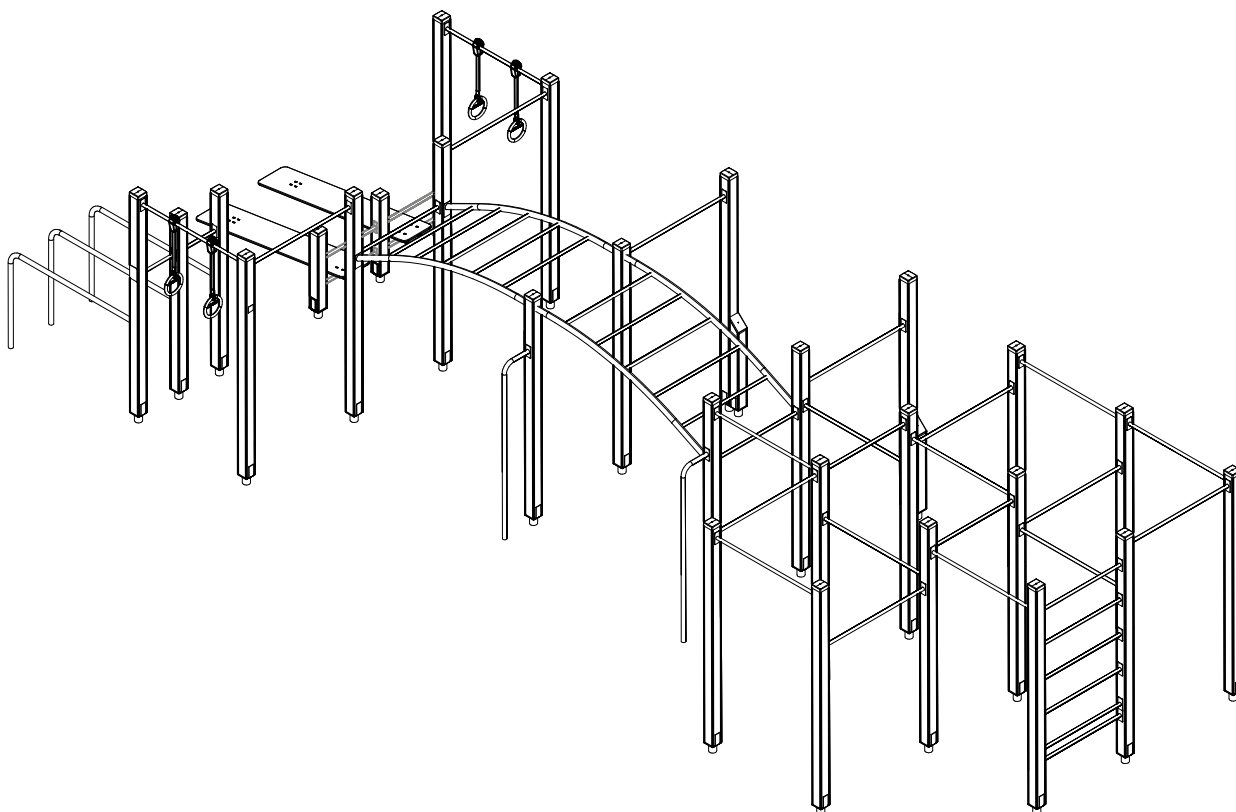
# **LAPPSET®**

## **SPORT**

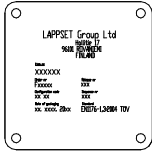

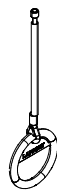


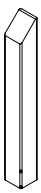

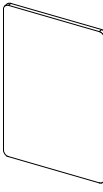

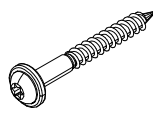
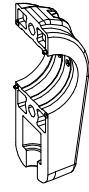
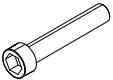
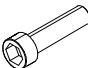

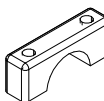
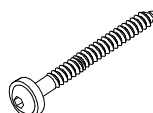
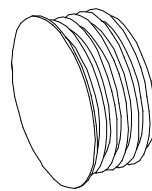
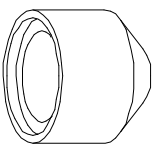

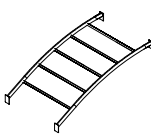

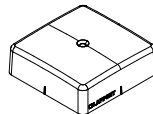
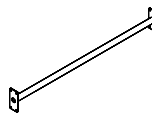
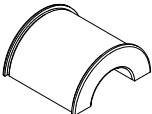
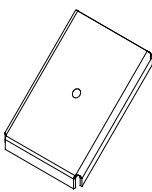
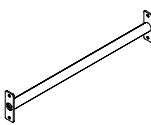
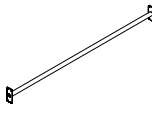
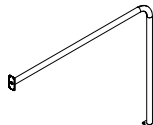
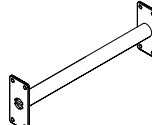

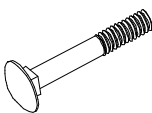
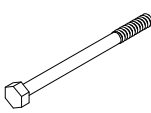
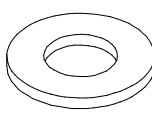
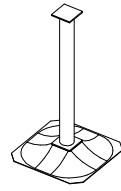
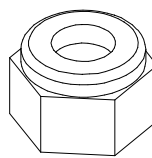
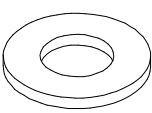
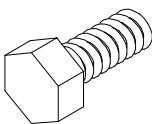
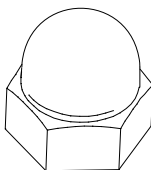
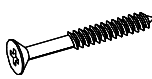
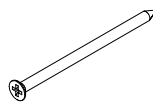
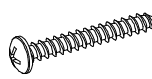
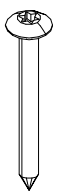
ASENNUSOHJE  
MONTERINGSANSVISNING  
INSTALLATION INSTRUCTION  
AUFBAUANLEITUNG  
NOTICE D'INSTALLATION

DATE: 11.5.2021

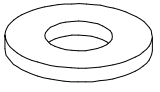

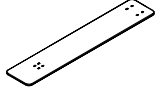
### **Q12655-1**



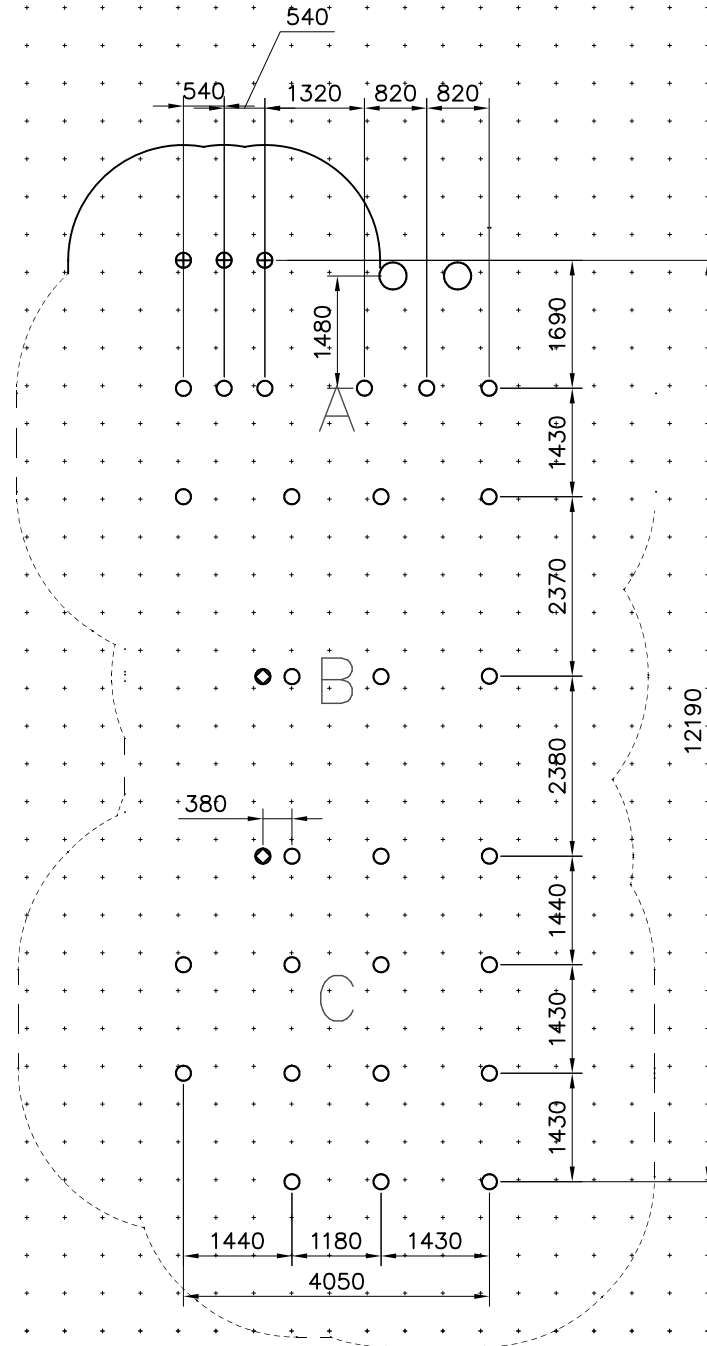
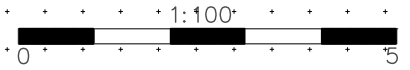
DATE: 11.5.2021

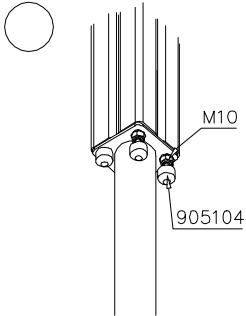
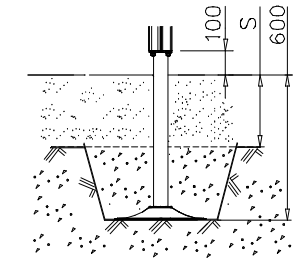
702286  65x65	PCS 1	705037-603  118x118x2590	PCS 4	705040  Ø16x764	PCS 4	705322-603  118x118x2500	PCS 21	705330-603  118x118x870	PCS 2	705335  118x118x1000	PCS 4
705347-603  118x118x1990	PCS 4	707883  118x78	PCS 1	707885  100x150	PCS 1	900240  Ø8x70	PCS 48	902195  150x50x50	PCS 8	902232  M10x55	PCS 4
902233  M10x30	PCS 4	902272  90x90x450	PCS 3	902454  Ø8x90	PCS 8	903093  PT -28/32-H	PCS 12	905103  M10	PCS 12	905104  M10	PCS 132
905761  120x120x700	PCS 35	905800-216  2260x600x1270	PCS 2	905817-216  2626x386x60	PCS 2	905830  123x123x40	PCS 27	905838-216  L 1060	PCS 10	906006  Ø64/36,4x59	PCS 8
906583  129x181x14x3	PCS 2	907694-216  L 704	PCS 4	908017-216  L 1315	PCS 20	908019-216  1500x1200	PCS 3	908062-216  L 420	PCS 2	909106  M12x130	PCS 8
909112  M12x60	PCS 8	909246  Ø12x140	PCS 12	909256  Ø16/8,4 A2	PCS 432	909521  M10	PCS 2	909637  Ø20/10.5	PCS 12	909638  Ø20/10.5	PCS 24
909639  M10x25	PCS 12	909644  M12	PCS 16	980100  Ø5x60	PCS 2	980104  Ø5x90	PCS 27	980114  Ø4x20	PCS 12	980123  Ø7x60 A2	PCS 404

DATE: 11.5.2021

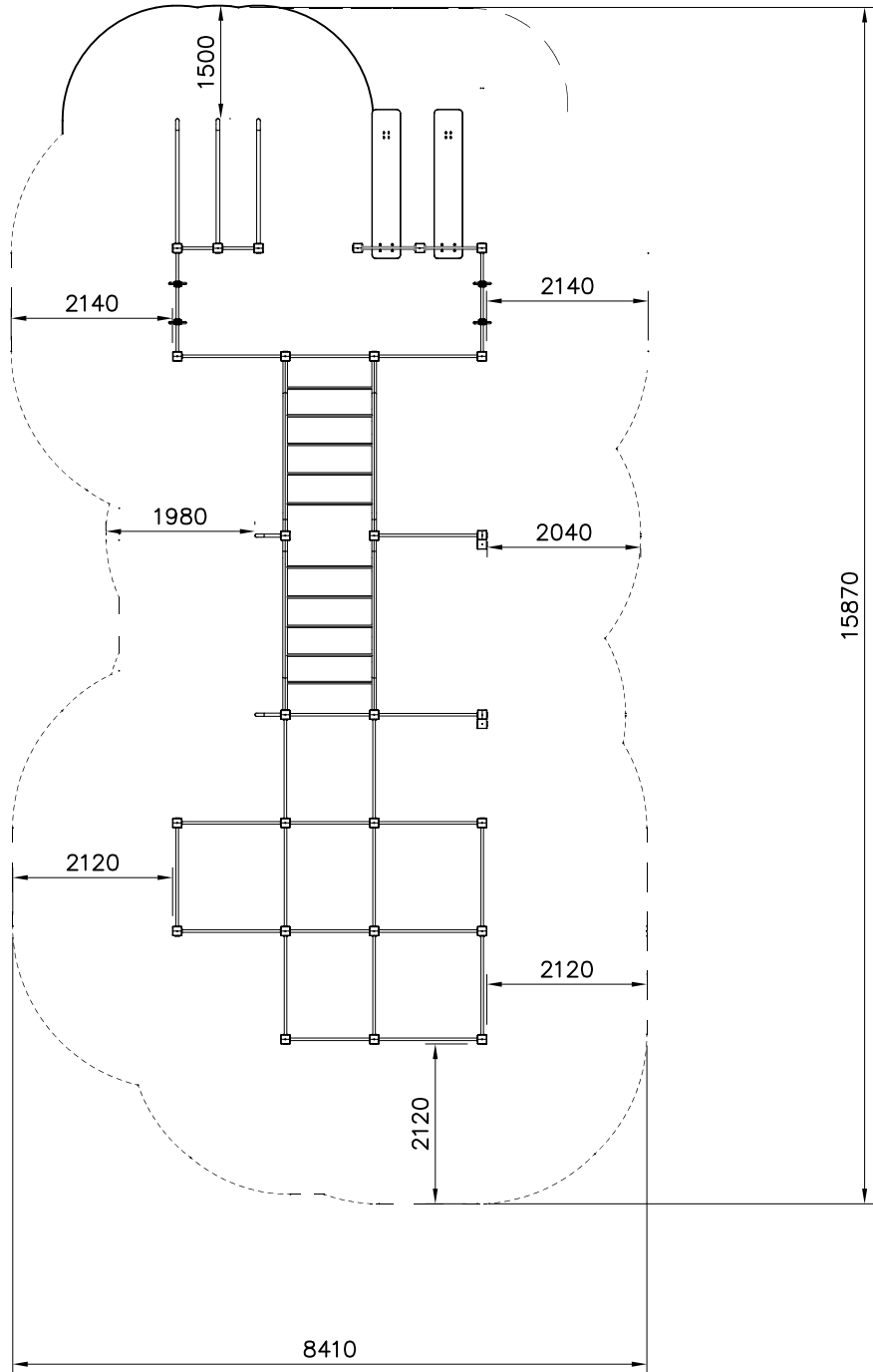
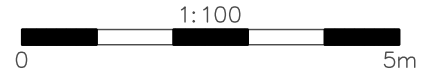
980154	PCS	980161	PCS	P01987	PCS		PCS		PCS		PCS
	28		8		2						
Ø24/13		M10		2000x380							
	PCS		PCS		PCS		PCS		PCS		PCS
	PCS		PCS		PCS		PCS		PCS		PCS
	PCS		PCS		PCS		PCS		PCS		PCS
	PCS		PCS		PCS		PCS		PCS		PCS
	PCS		PCS		PCS		PCS		PCS		PCS

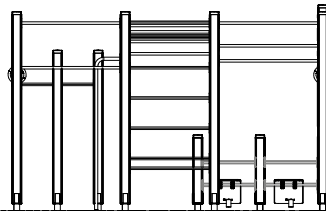
- EN/AS Impact Area 114.4 m<sup>2</sup>
- - - Falling Space 114.6 m<sup>2</sup>
- · · Max Falling Height 2310 mm
- · · Grid size = 500 mm



- EN/AS Impact Area 114.4 m<sup>2</sup>
- - - - Falling Space 114.6 m<sup>2</sup>  
Max Falling Height 2310 mm





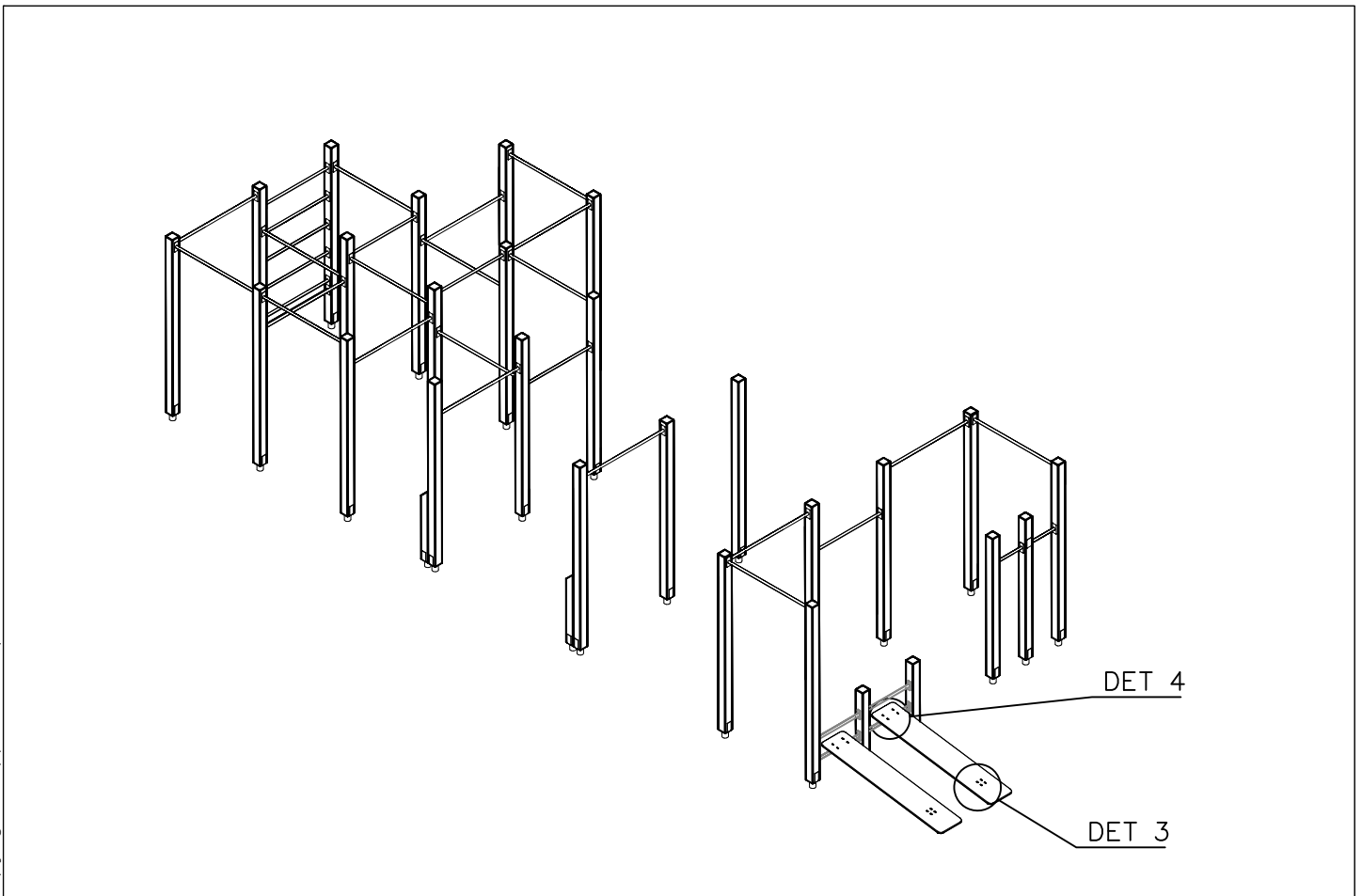
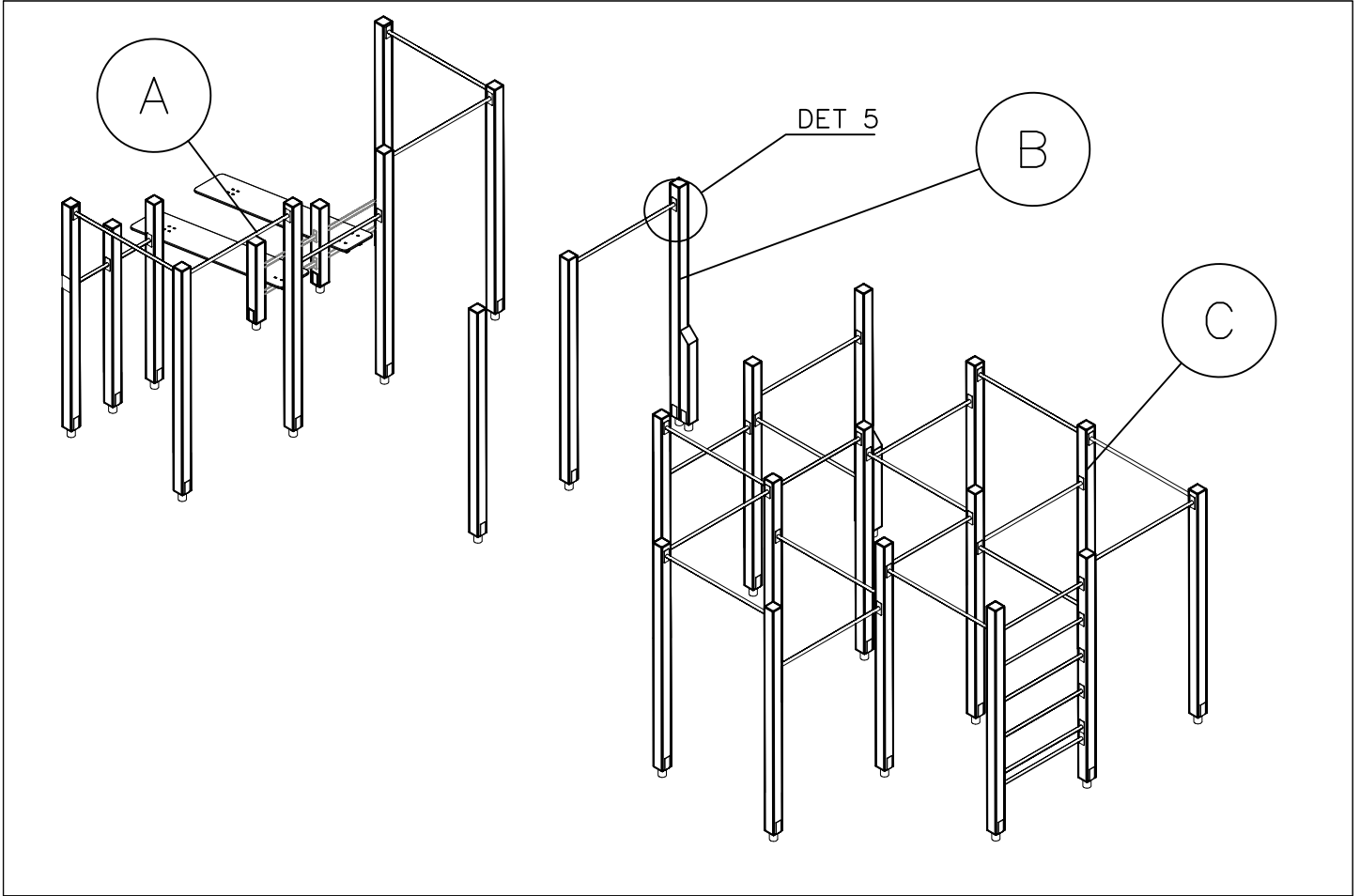
+0

+2470

+2500

+2610

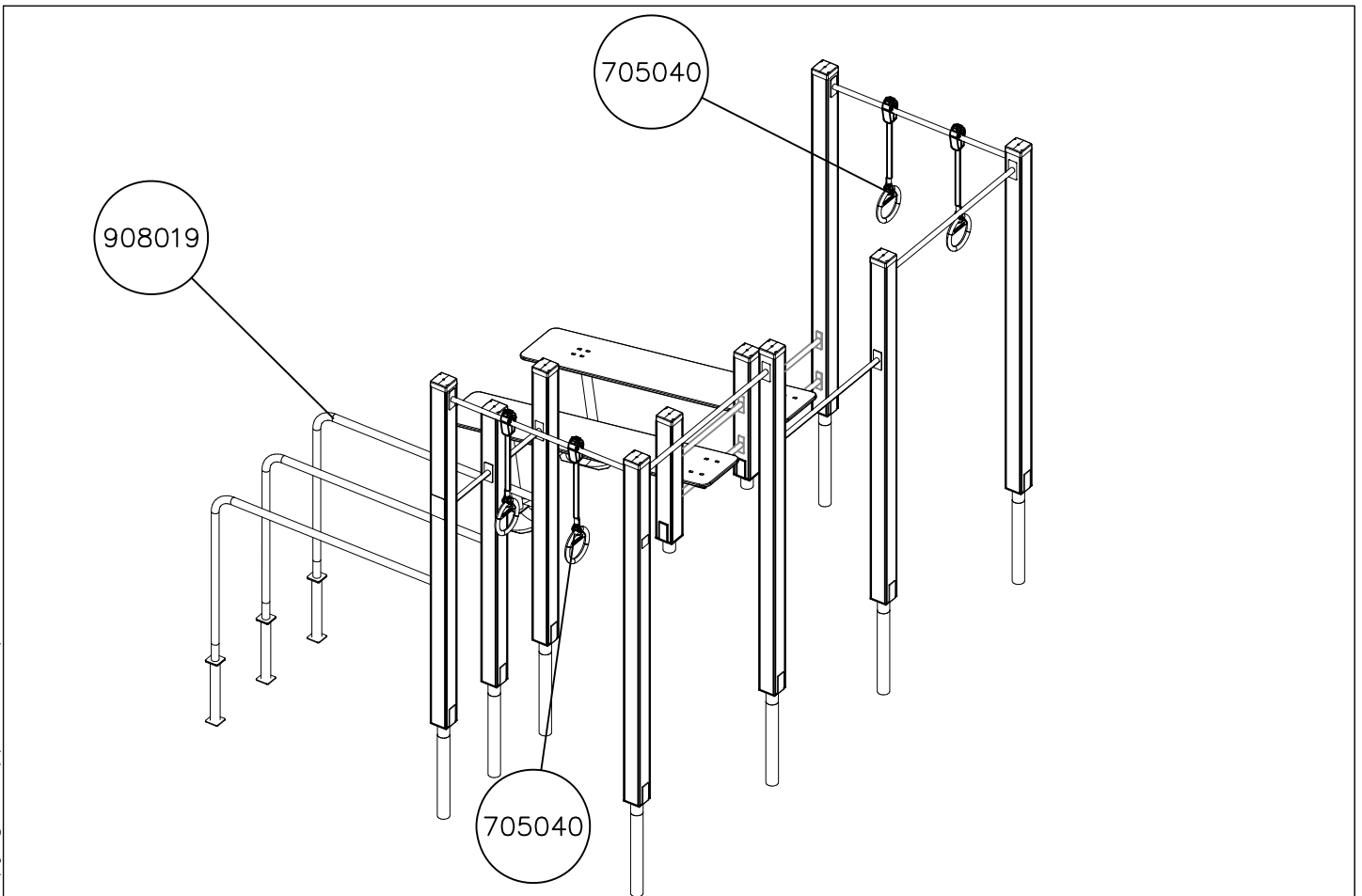
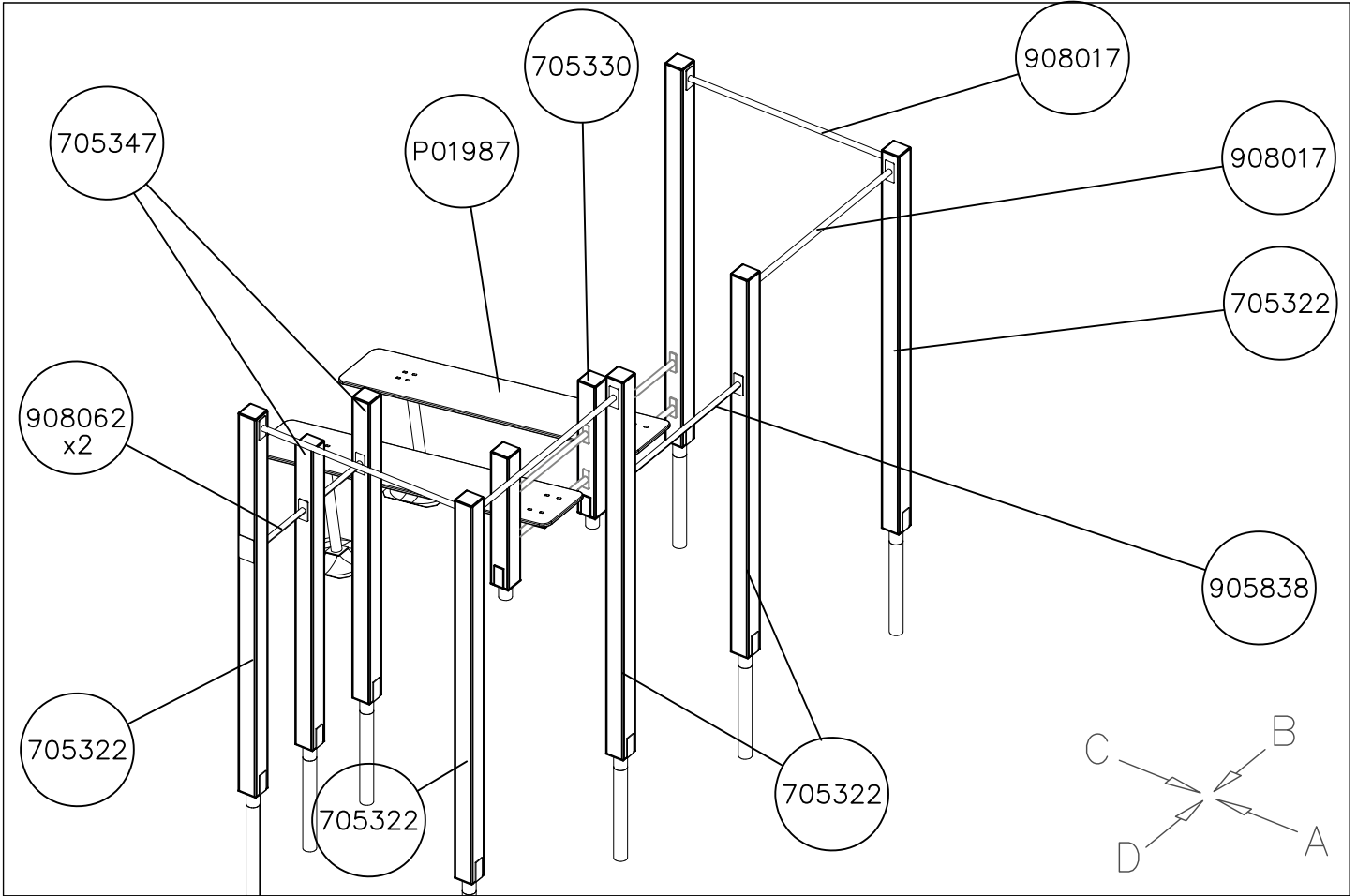
+0





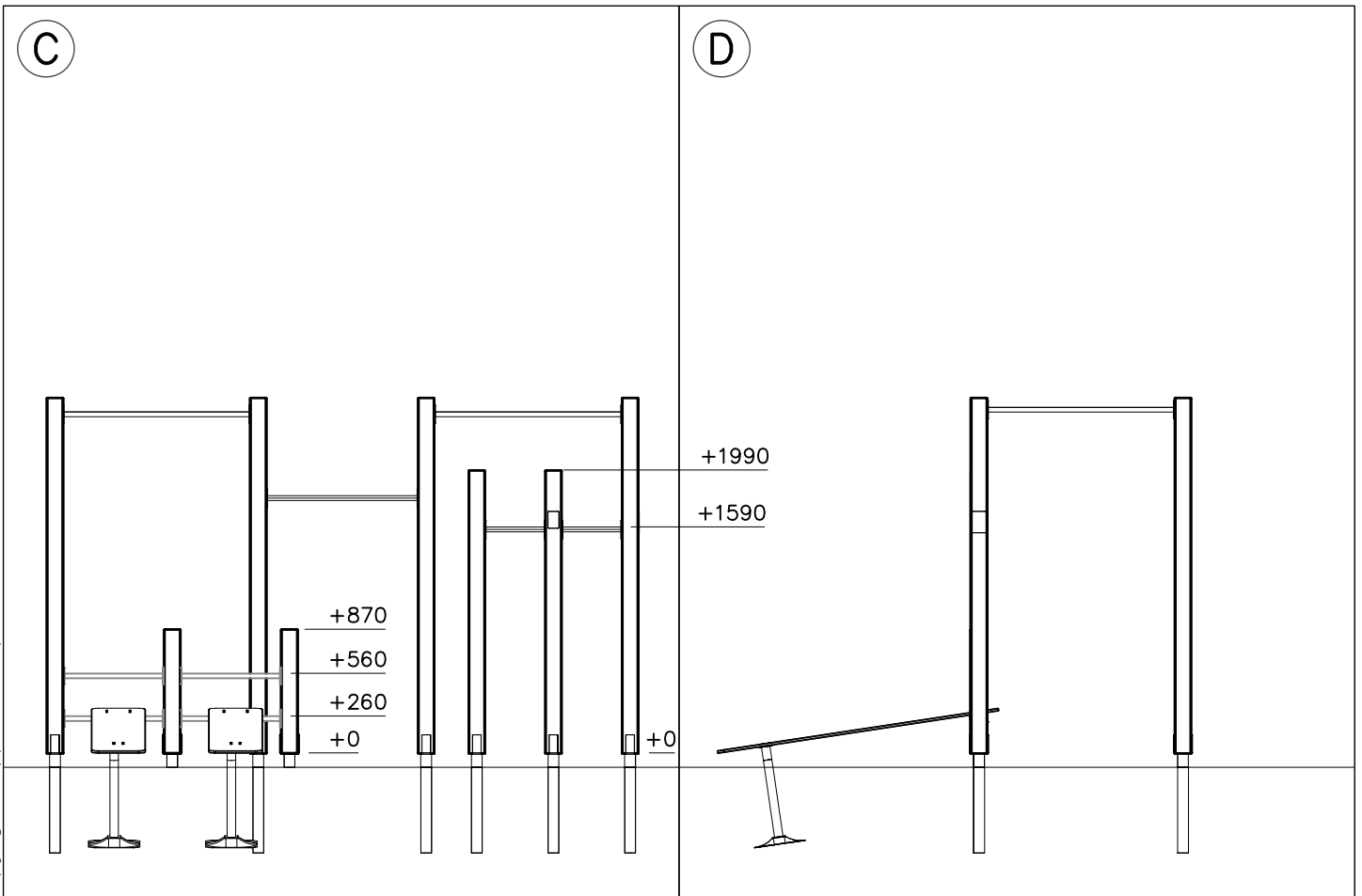
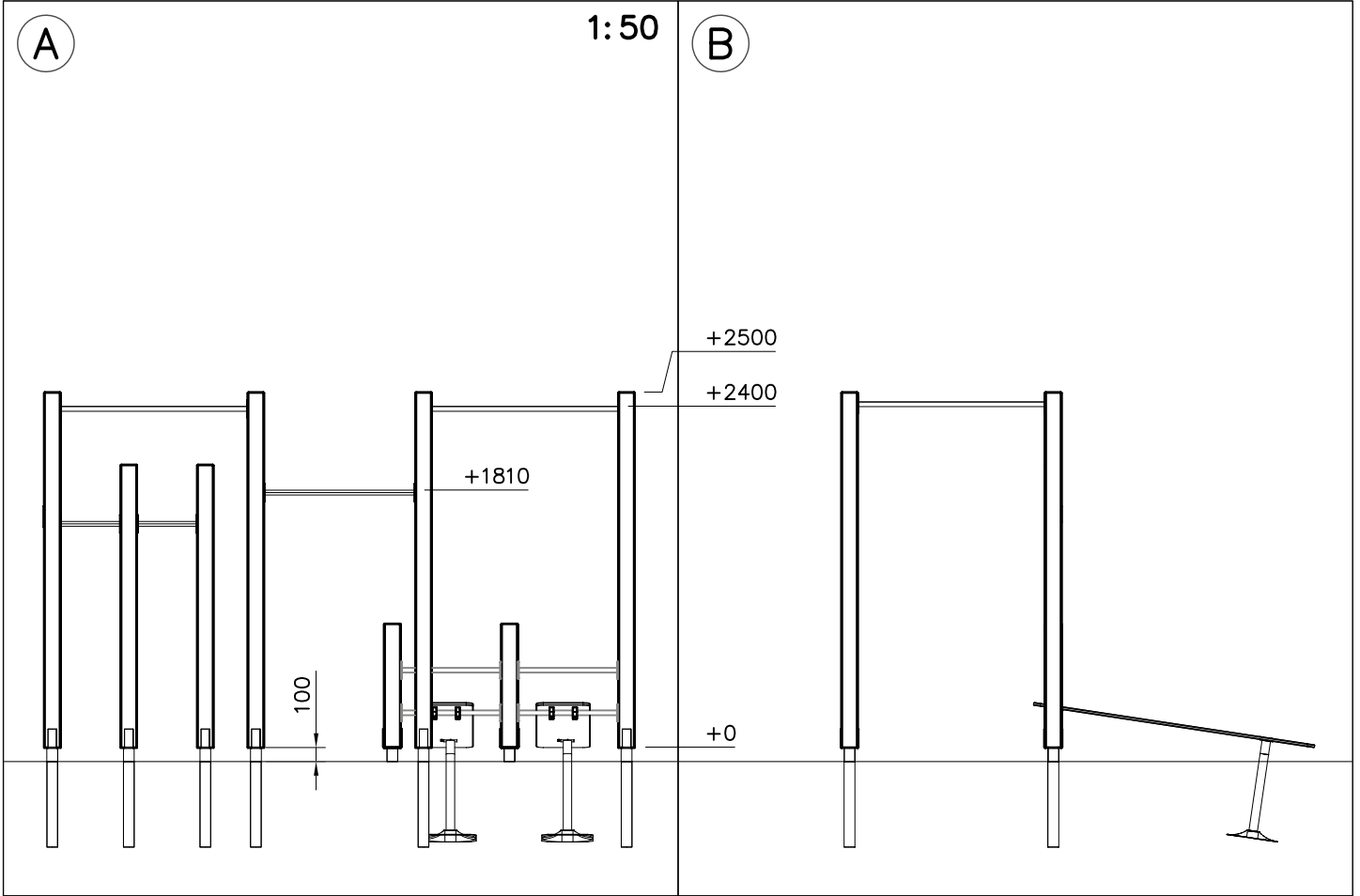
<p>DET 1</p> <p>Ø5x90 (980104)</p> <p>905830</p> <p>Place the logo laterally</p>	<p>DET 2</p> <p>PRE-DRILL HOLE: Ø5 ↓ 40</p> <p>907694</p> <p>Ø8x70 (900240)</p>	<p>DET 3</p> <p>908112</p> <p>P01986/P01987</p> <p>908154</p> <p>909644</p> <p>909621</p>	<p>DET 4</p> <p>909106</p> <p>P01986/P01987</p> <p>902454</p> <p>980154</p> <p>909644</p>
<p>DET 5</p> <p>Ø16/8.4 (909256)</p> <p>Ø7x60 (980123)</p>			

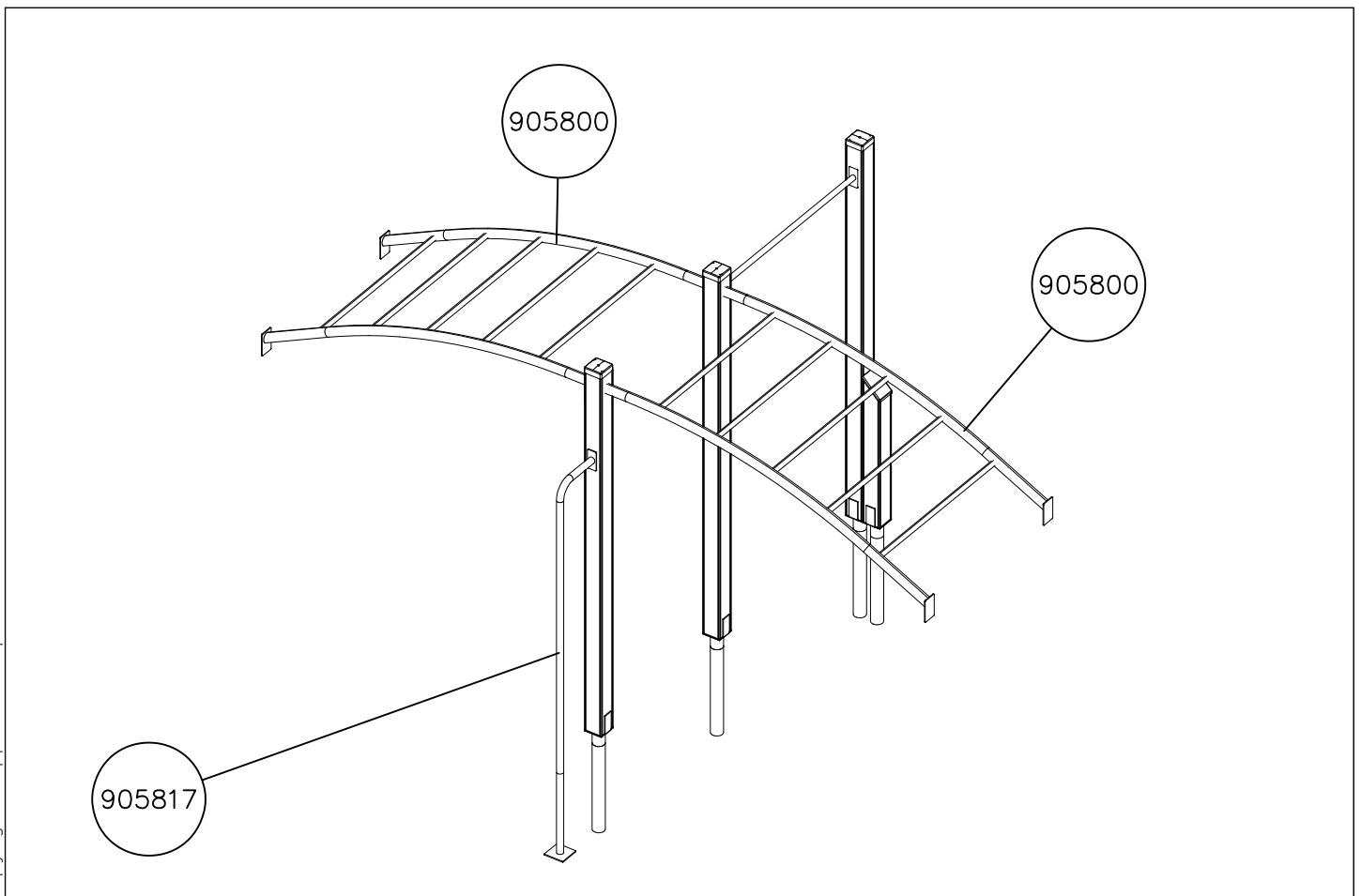
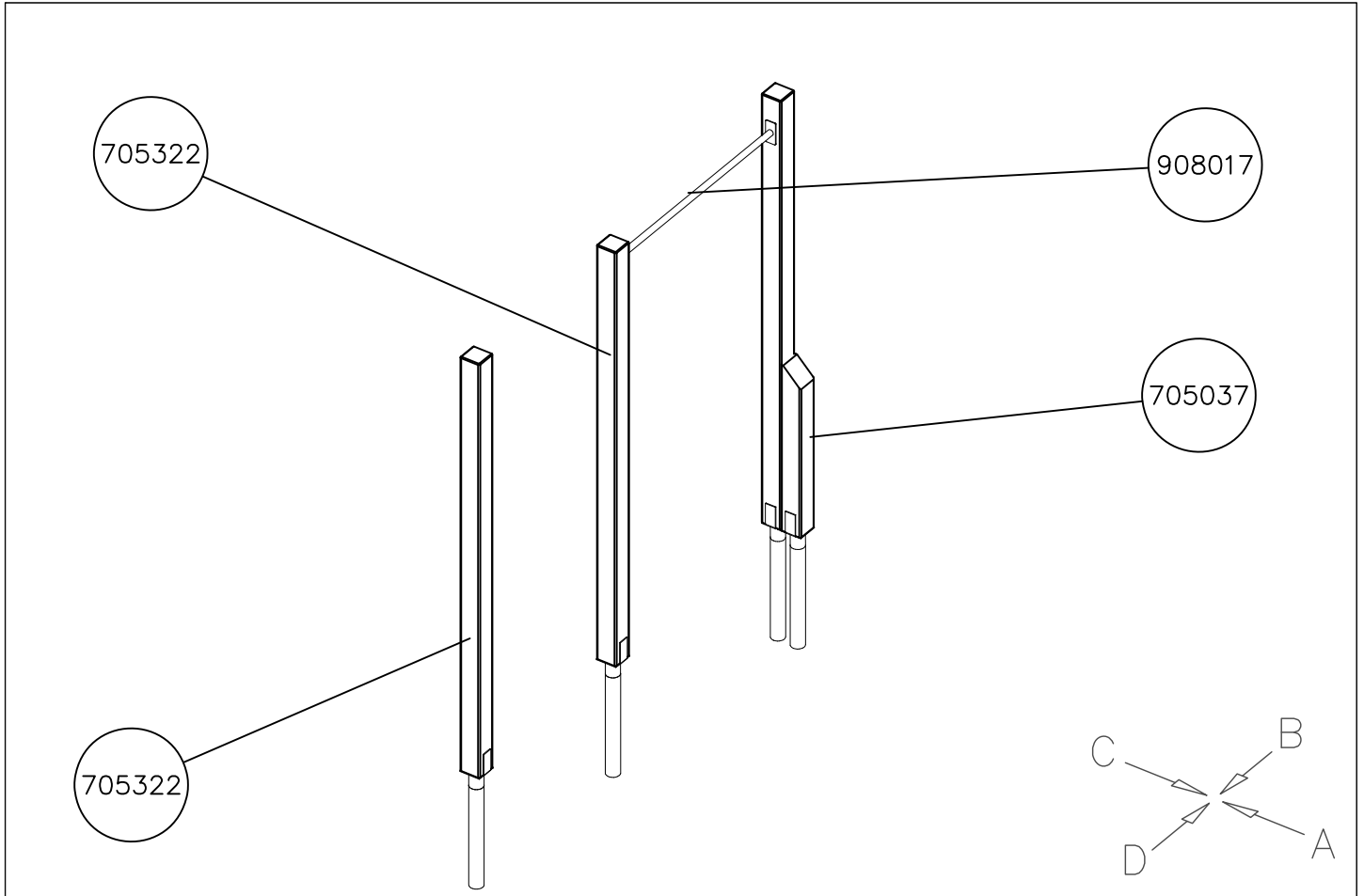
DATE: 11.5.2021



DATE: 11.5.2021

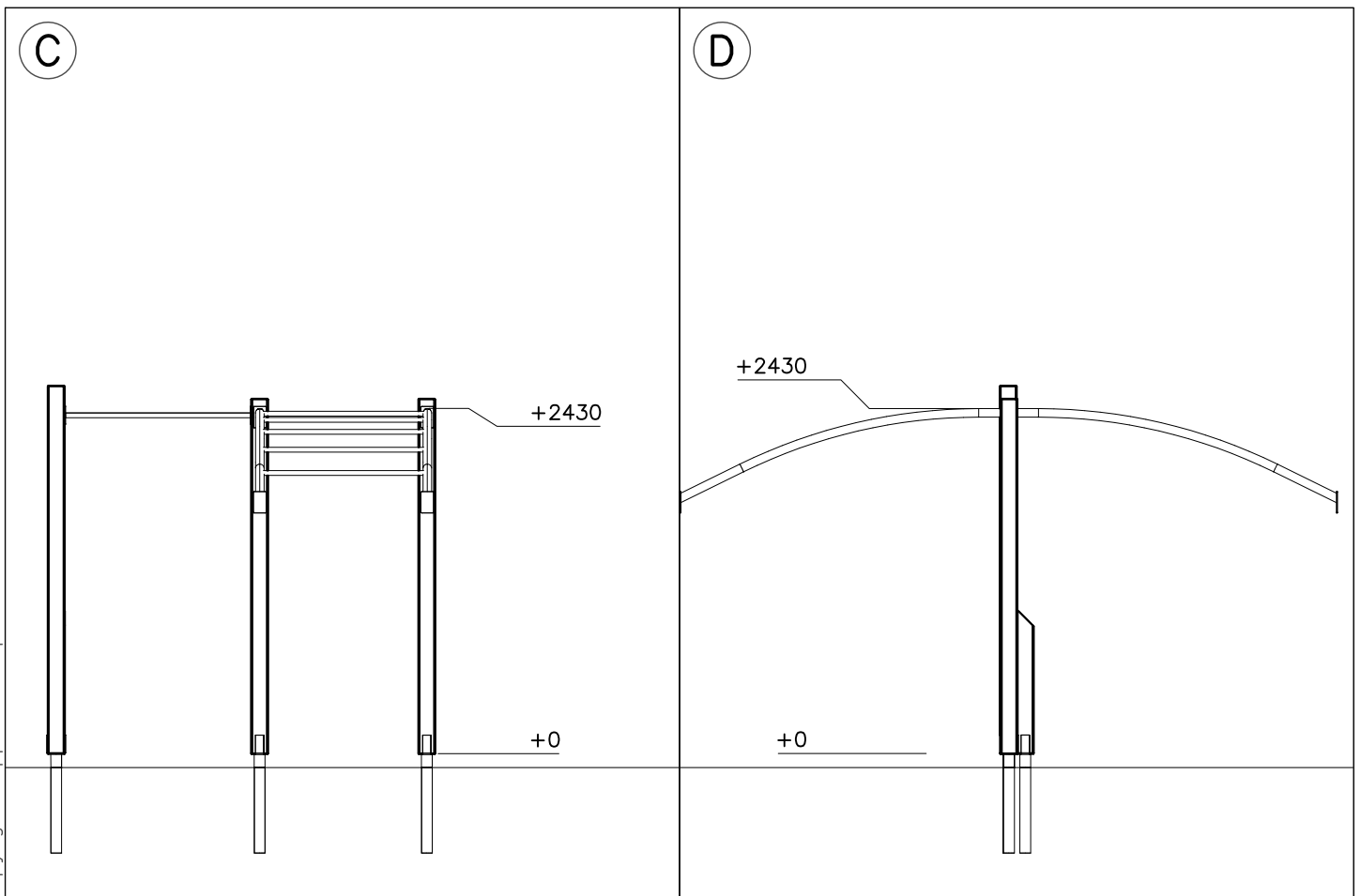
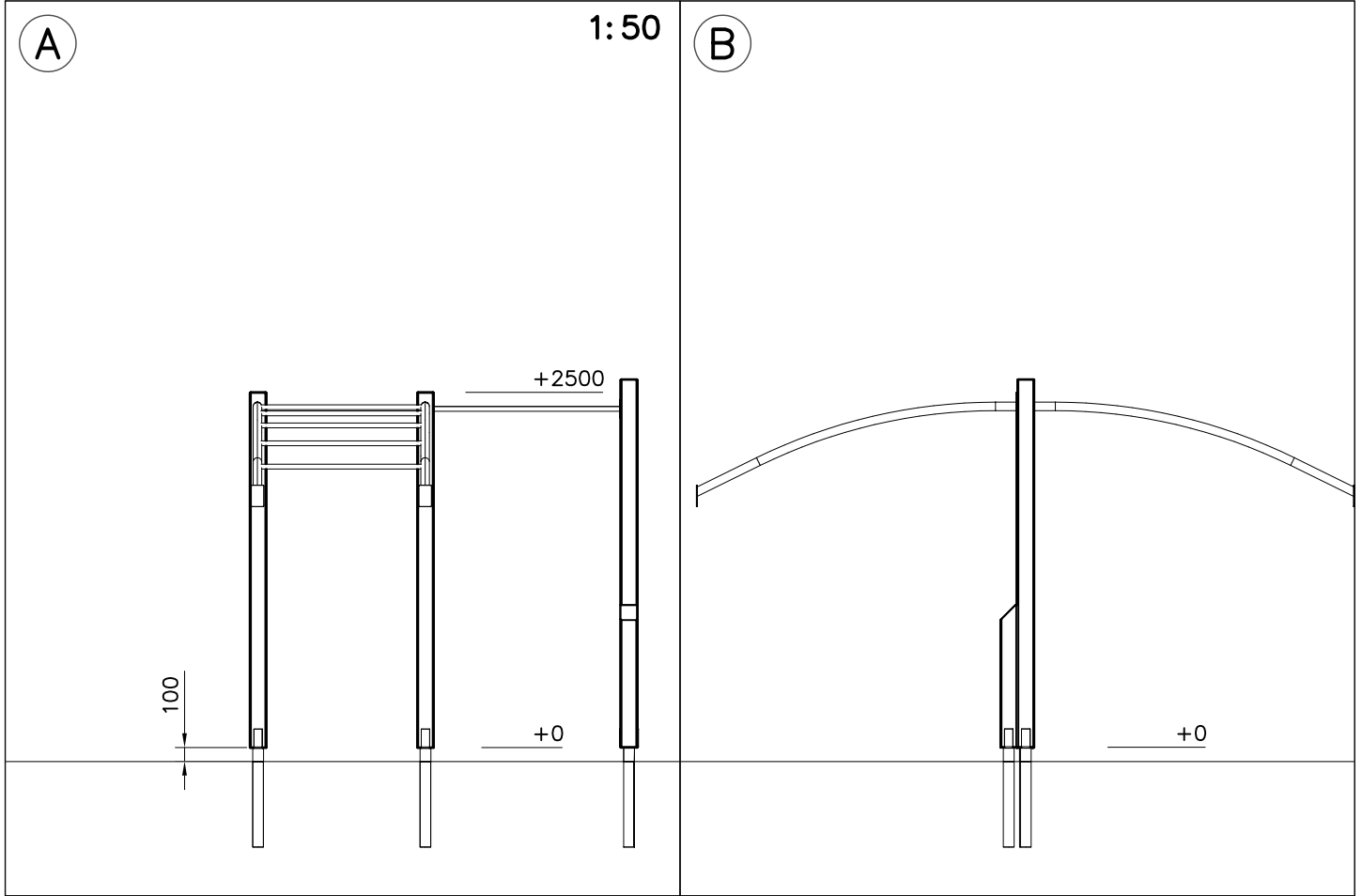
1:50

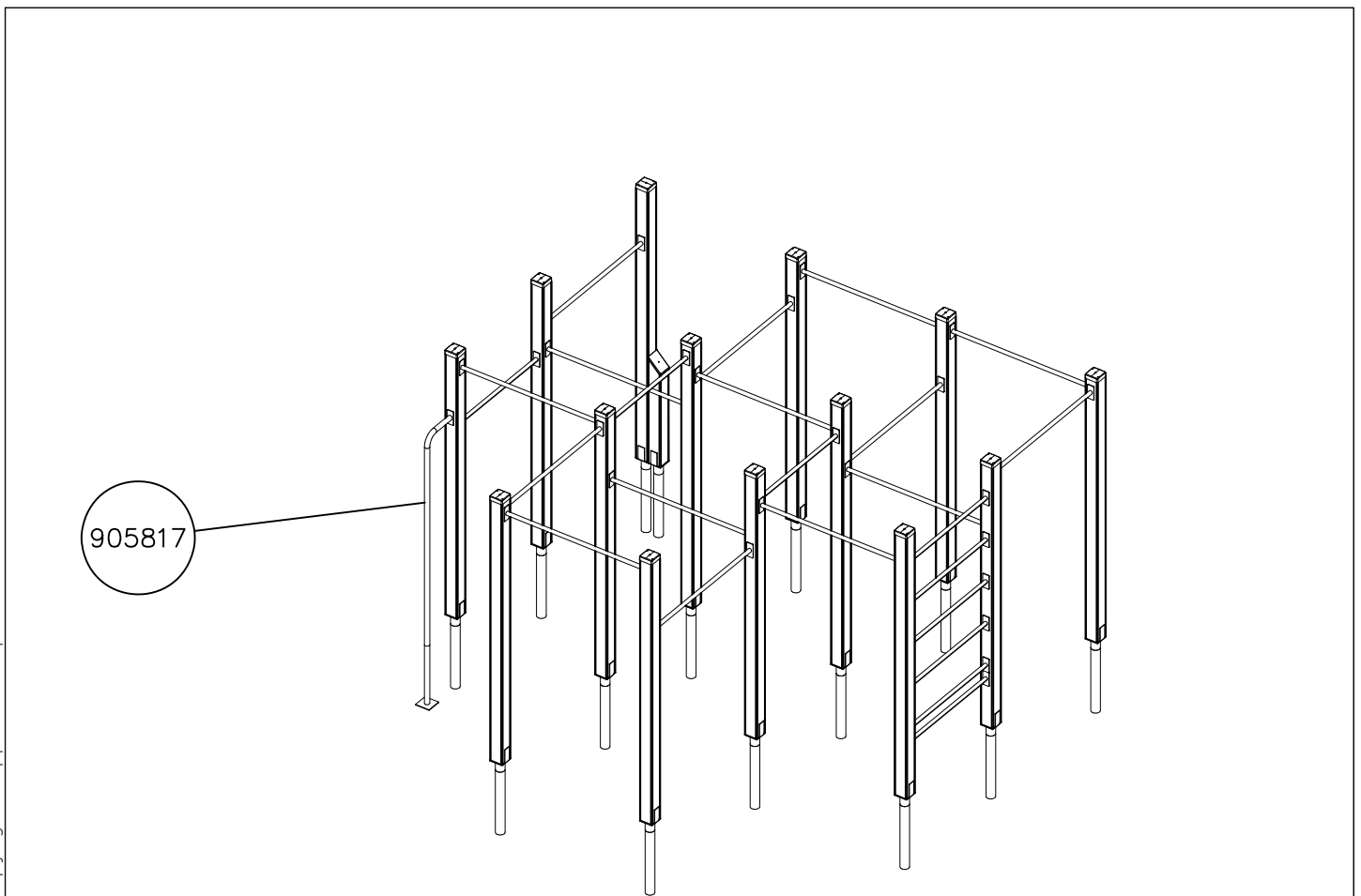
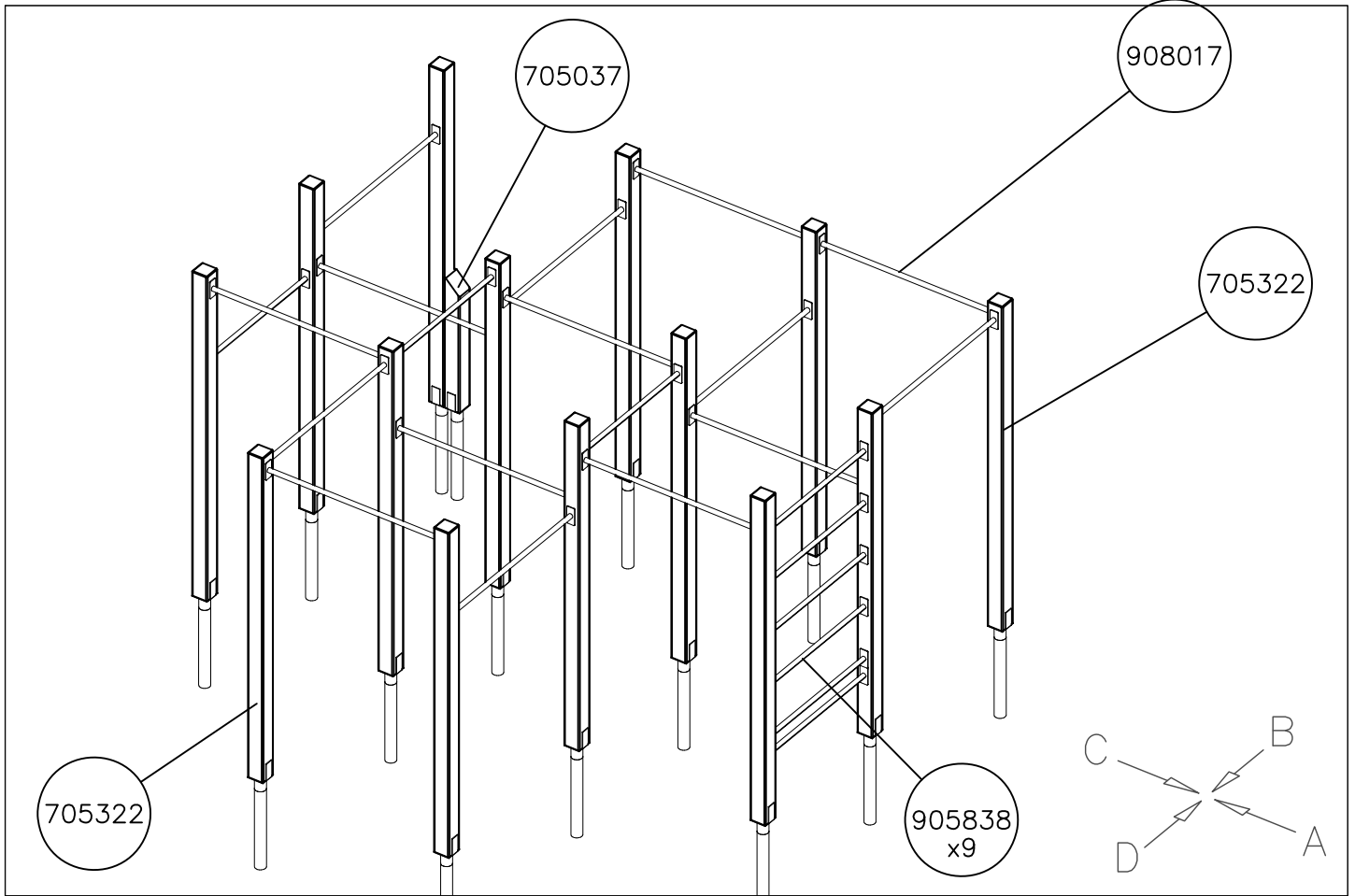




DATE: 11.5.2021

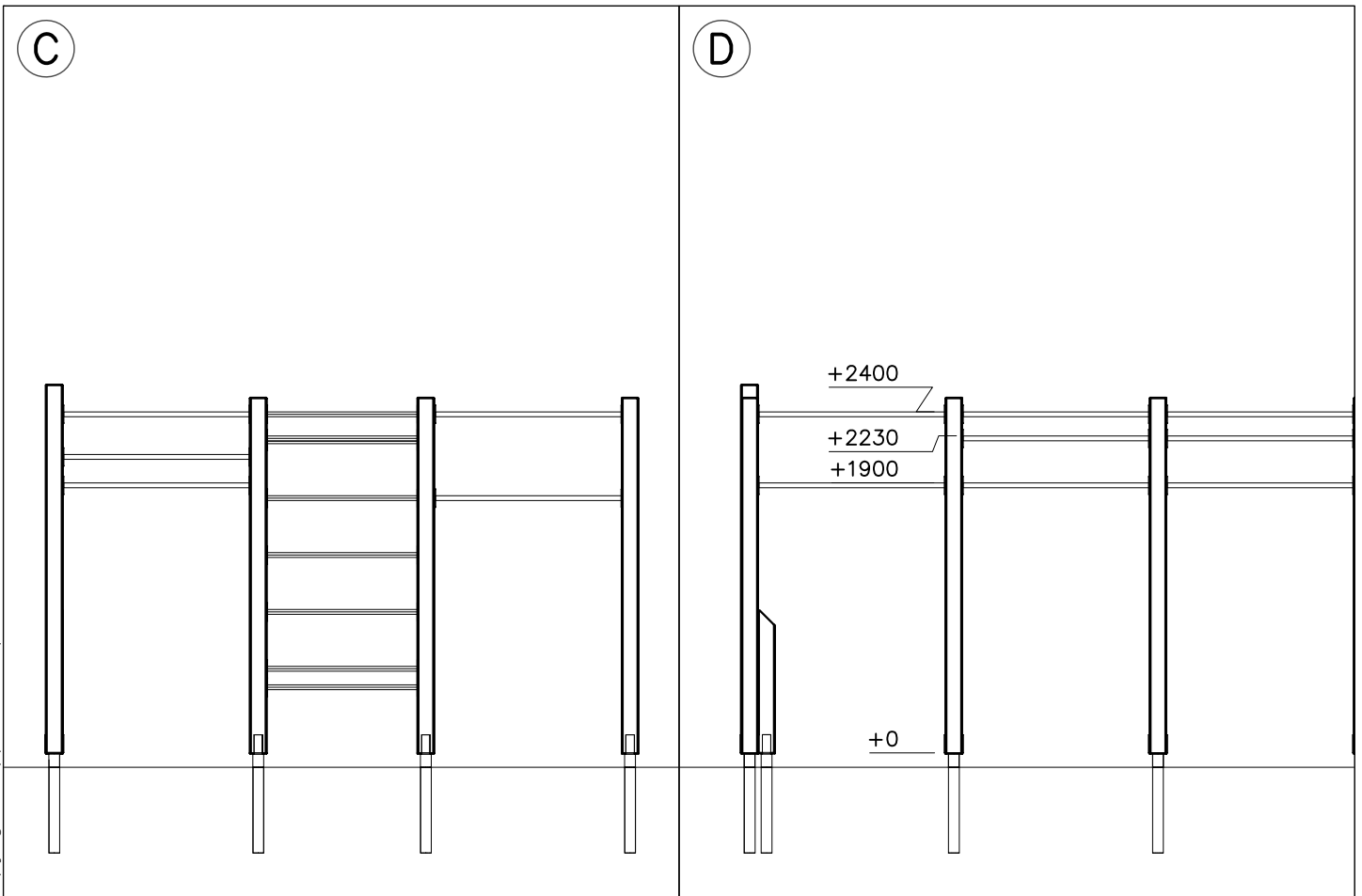
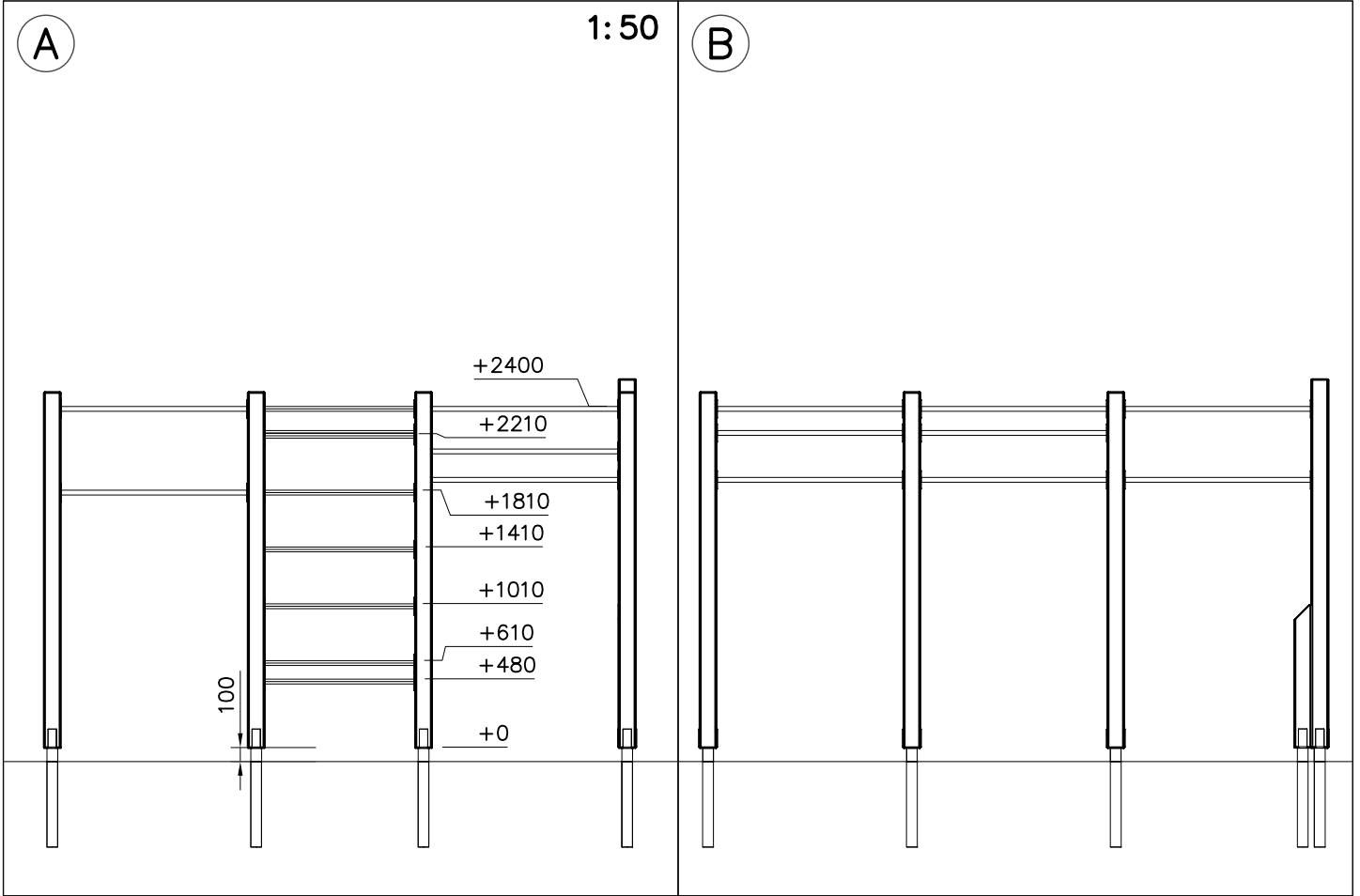
1:50

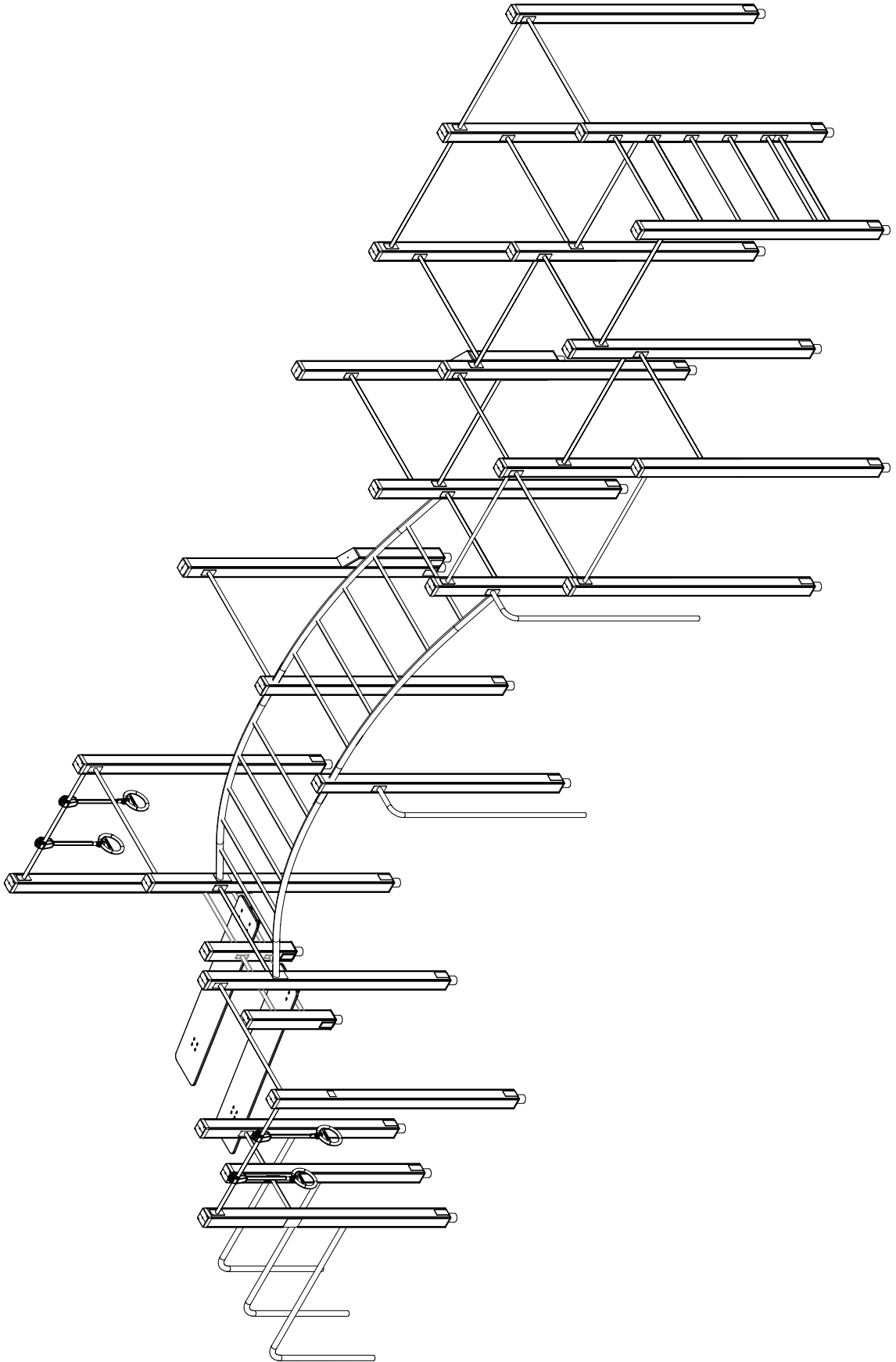




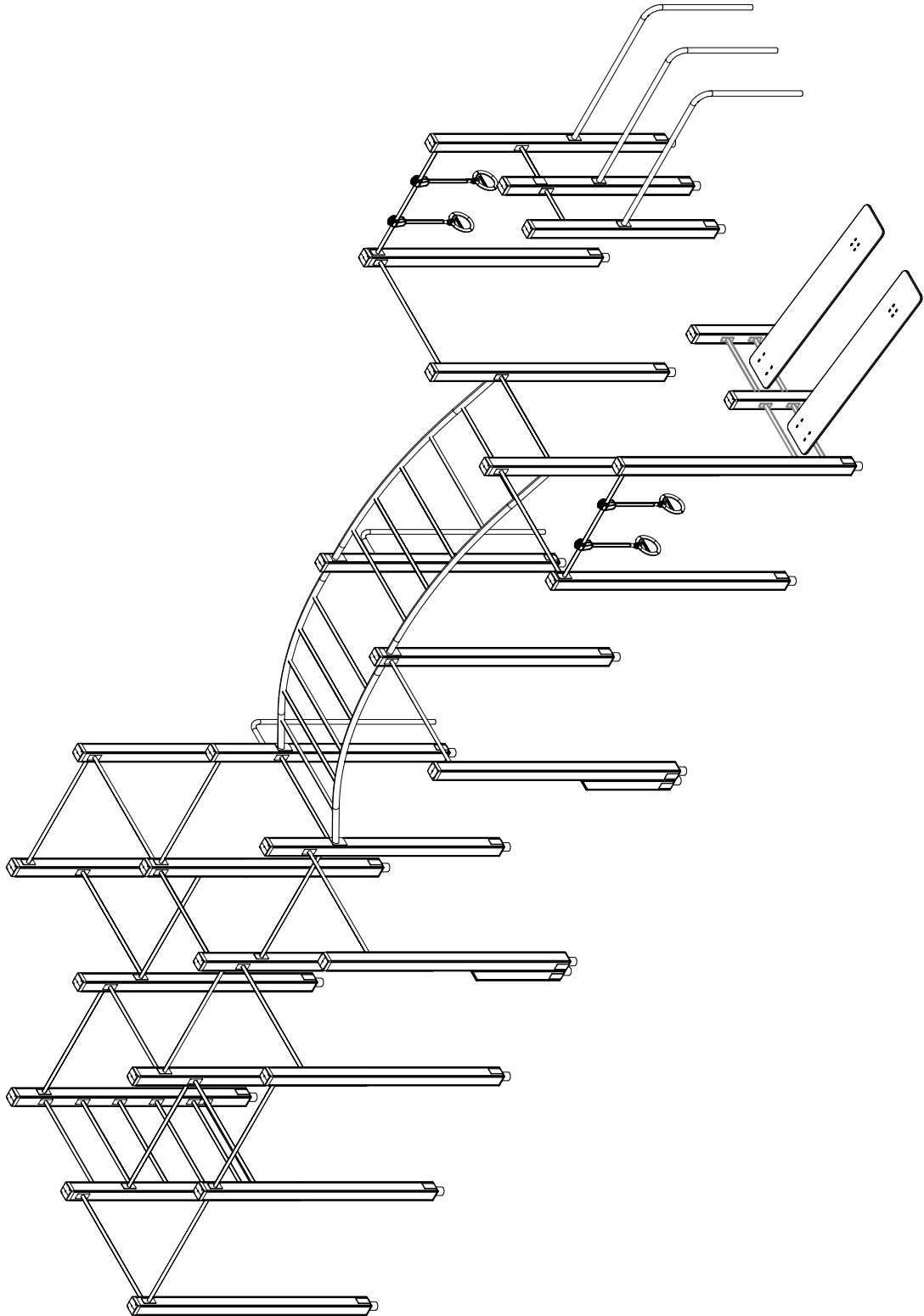
DATE: 11.5.2021

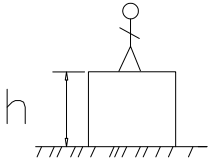



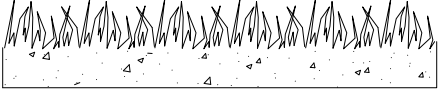
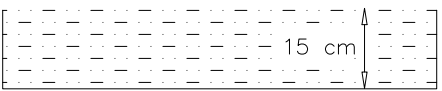
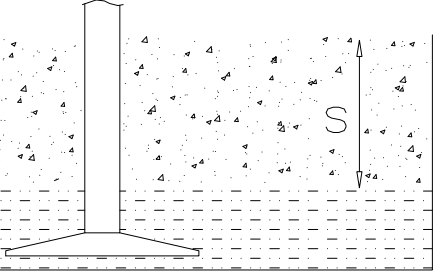
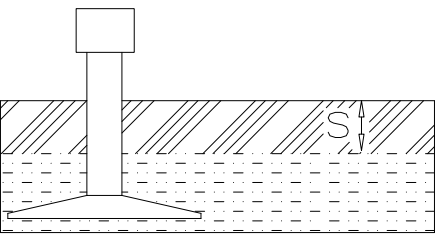
1:50









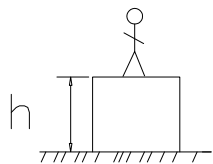
												
<p><b><math>h &lt; 600</math></b></p> <p>Without movement and therefore without Impact Area</p>	<p>Totally hard surfaces.</p> <p>Note. Lappset does <u>not recommend</u> totally hard surfaces at all.</p>	<p>E.g. concrete or asphalt</p> 										
<p><b><math>h &lt; 600</math></b></p> <p>With movement e.g. rocking</p>	<p>Materials with very limited impact attenuating properties.</p>	<p>E.g. wood</p> 										
<p><b><math>h &lt; 1000</math></b></p>	<p>Materials with significant impact attenuating properties.</p>	<p>fine gravel 0–8 mm</p>  <p>grass</p>  <p>unsorted sand</p> 										
<p><b><math>h &lt; 3000</math></b></p>	<p>Loose fill material</p> <p>E.g. sand/gravel 0,25...8 mm D60/D10&lt;3,0 Woodchips 5...30 mm bark 20...80 mm</p>	 <table data-bbox="1021 1691 1332 1792"> <tr> <td><math>\underline{S}</math></td> <td><math>\underline{h}</math></td> </tr> <tr> <td>30 cm</td> <td>&lt; 2,0 m</td> </tr> <tr> <td>40 cm</td> <td>&lt; 3,0 m</td> </tr> </table>	$\underline{S}$	$\underline{h}$	30 cm	< 2,0 m	40 cm	< 3,0 m				
$\underline{S}$	$\underline{h}$											
30 cm	< 2,0 m											
40 cm	< 3,0 m											
	<p>Syntethic granulates</p> <table data-bbox="406 1892 758 2060"> <tr> <td><math>\underline{S}</math></td> <td><math>\underline{h}</math></td> </tr> <tr> <td>40 mm</td> <td>~&gt; 1,2...1,3 m</td> </tr> <tr> <td>50 mm</td> <td>~&gt; 1,5...1,7 m</td> </tr> <tr> <td>60 mm</td> <td>~&gt; 1,8...2,0 m</td> </tr> <tr> <td>70 mm</td> <td>~&gt; 2,1...2,5 m</td> </tr> </table> <p>Note. For accurate values, see manufacturer's instructions.</p>	$\underline{S}$	$\underline{h}$	40 mm	~> 1,2...1,3 m	50 mm	~> 1,5...1,7 m	60 mm	~> 1,8...2,0 m	70 mm	~> 2,1...2,5 m	
$\underline{S}$	$\underline{h}$											
40 mm	~> 1,2...1,3 m											
50 mm	~> 1,5...1,7 m											
60 mm	~> 1,8...2,0 m											
70 mm	~> 2,1...2,5 m											

REMOVE SAFETY SURFACE/SAND/GRAVEL  
TO CHECK FOUNDATION



REMOVE SAFETY SURFACE/SAND/GRAVEL  
TO CHECK FOUNDATION





$h < 1000$

Totally hard surfaces or materials with very limited impact attenuating properties.

Totally hard surfaces.  
E.g. concrete or asphalt



Case by case risk assessment is needed including e.g. evaluation whether there is forced movement, what is the intended exercise and where will the product be installed.

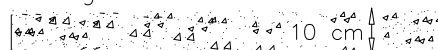
Materials with very limited impact attenuating properties.  
E.g. wood



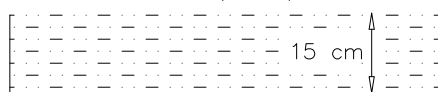
$h < 1200$

Materials with significant impact attenuating properties.

fine gravel 0–8 mm



Unsorted sand/ topsoil



$h < 1500$

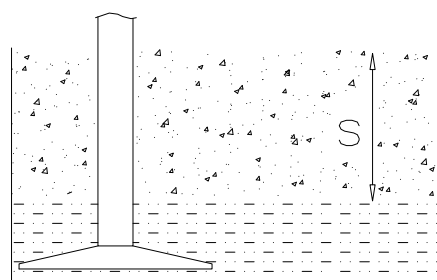
Lawn



$h < 3000$

Loose fill material

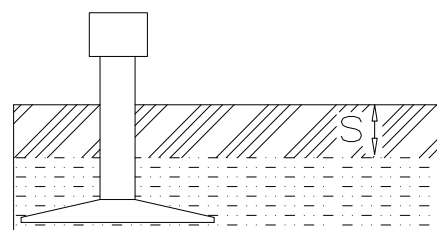
E.g.  
sand/gravel 0,25...8 mm  $D_{60}/D_{10} < 3,0$   
Woodchips 5...30 mm  
bark 20...80 mm



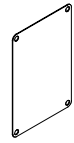

$\underline{S}$	$\underline{h}$
30 cm	$< 2,0$ m
40 cm	$< 3,0$ m

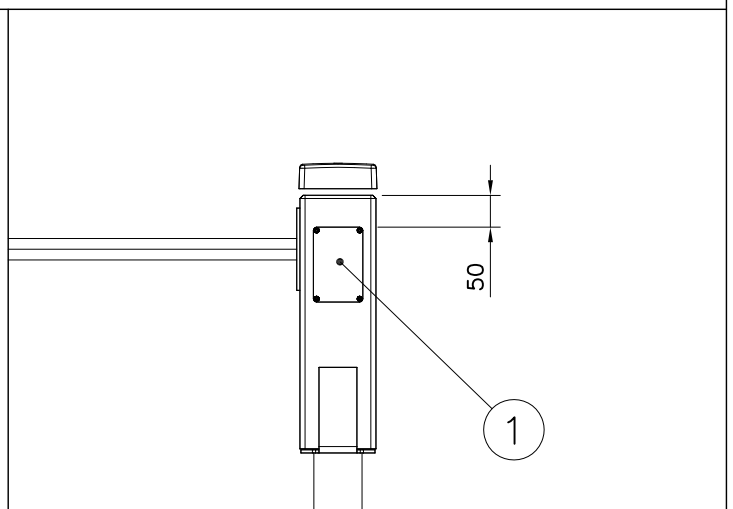
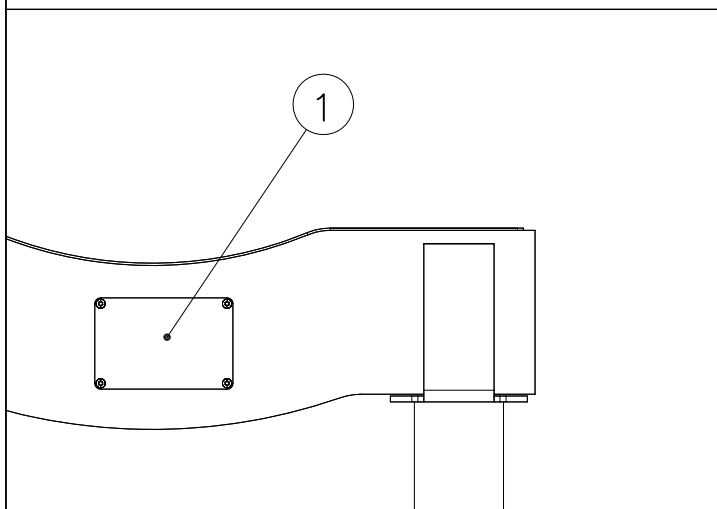
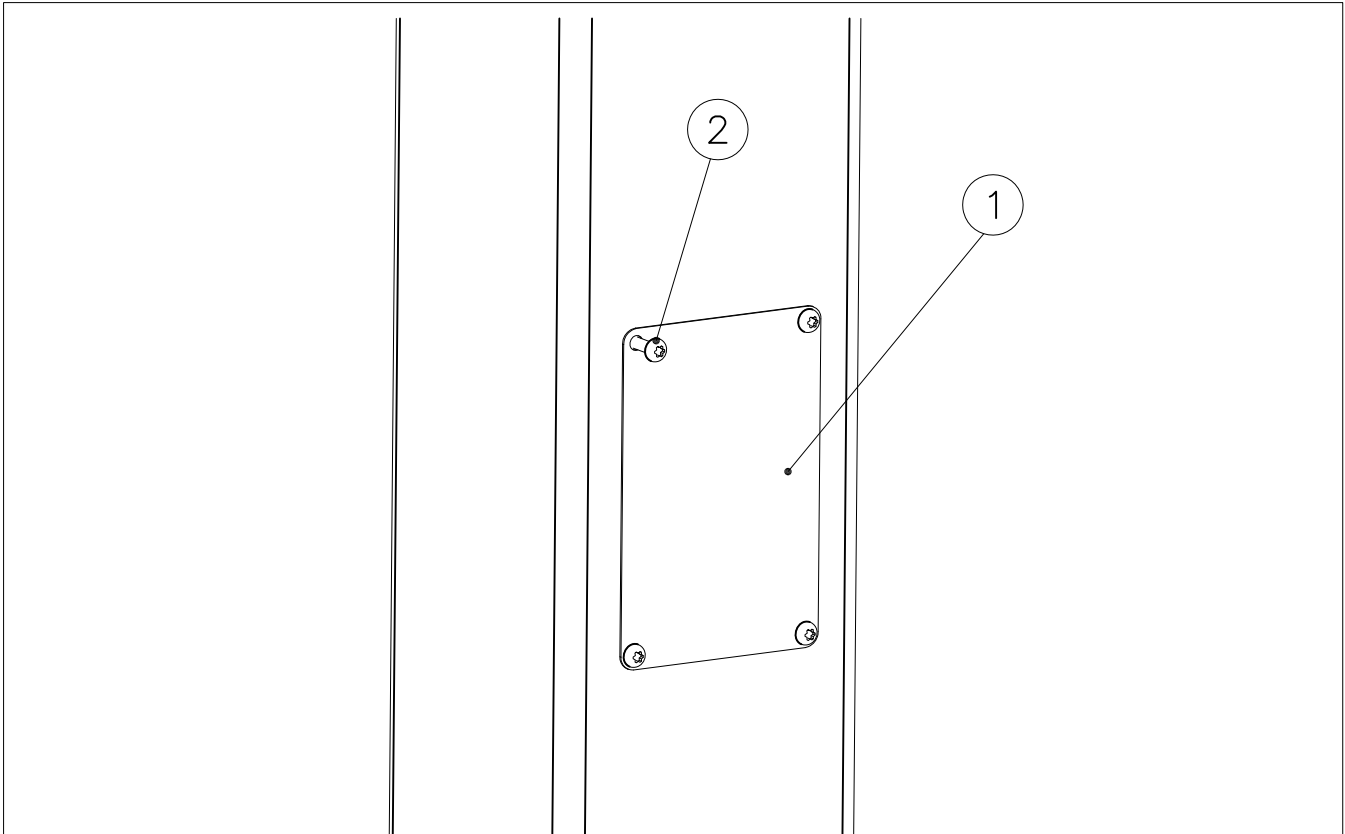
Syntetic granulates

$\underline{S}$	$\underline{h}$
40 mm	$\sim > 1,2...1,3$ m
50 mm	$\sim > 1,5...1,7$ m
60 mm	$\sim > 1,8...2,0$ m
70 mm	$\sim > 2,1...2,5$ m



Note. For accurate values, see manufacturer's instructions.

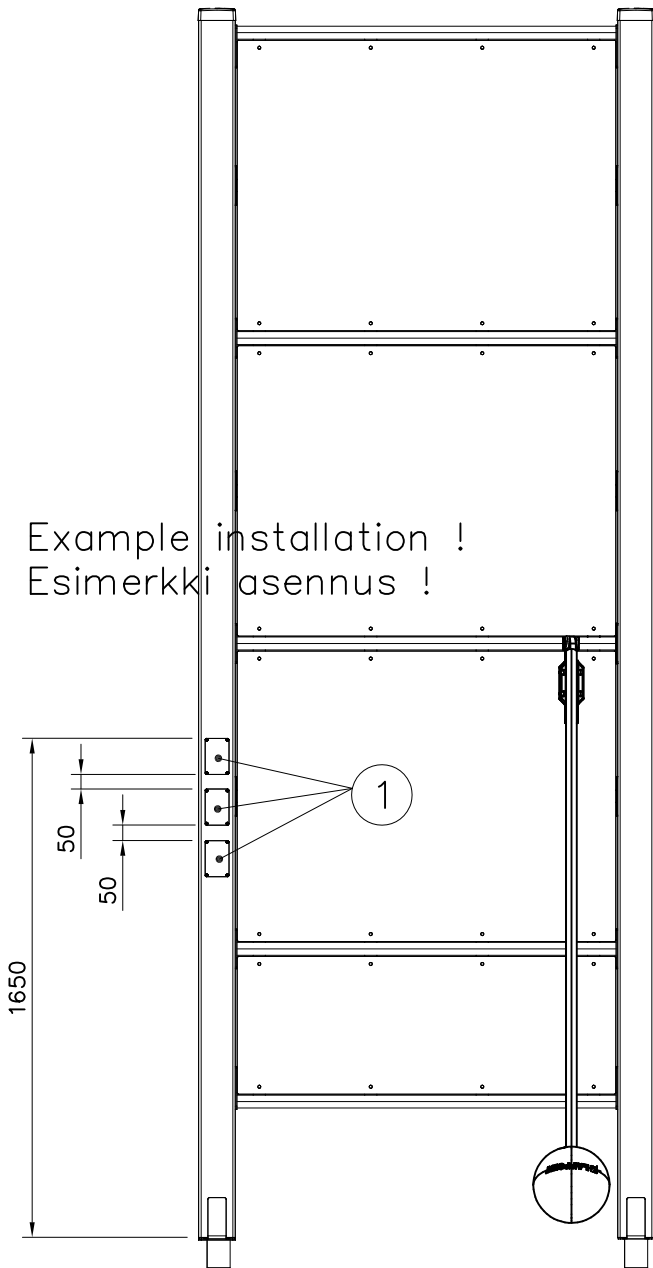
① SHEET METAL	PCS	② 980114	PCS
	1		4
118x78x0.7		Ø4x20	



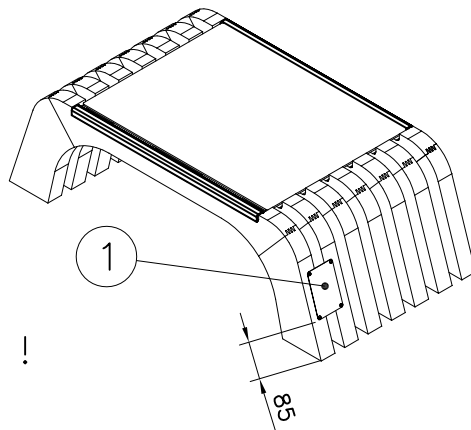
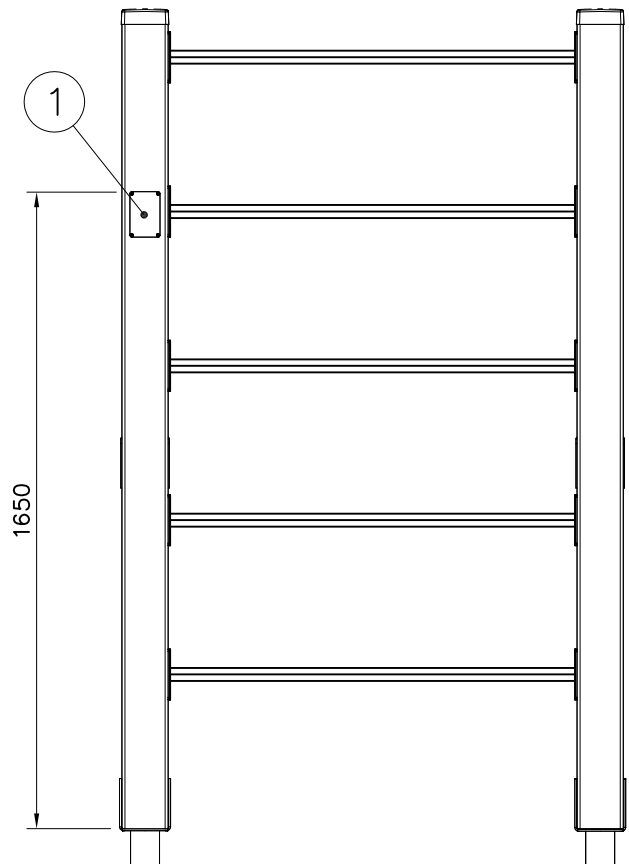
Example installation !  
Esimerkki asennus !

Example installation !  
Esimerkki asennus !

Example installation !  
Esimerkki asennus !



Example installation !  
Esimerkki asennus !



Example installation !  
Esimerkki asennus !



## Tuotekyltti tulee tuotteen mukana yhdellä seuraavista tavoista:

### 1) Metallinen tuotekyltti ja kiinnitysruuvit

- Kiinnitä tuotekyltti ruuveilla tolppaan noin 2 metrin korkeuteen kuvan 1 mukaisesti.

### 2) Tuotekylttitarra

- Puhdista maalattu metalli- tai vaneripinta pölystä ja kosteudesta. Liimaa tarra kuvan 2 mukaisesti.
- Huom. Älä kiinnitä tarraa karheapintaiseen laminaattiin tai maalattuun puuhun.

## Vår produktmärkning levereras på ett av följande sätt:

### 1) Produktskylt i metall

- Fäst skylten med de medföljande skruvarna

### 2) Självhäftande produktetikett

- Rengör den pulverlackerade metallytan eller laminatyten så att den blir fri från smuts och fukt. Fäst etiketten enligt fig. 2.
- Obs! Fäst ej etiketten på detaljer med skrovlig yta eller på målat trä.

## Product label is delivered by one of following ways:

### 1) Metal product label and screws

- Fasten the label with screws.

### 2) Label sticker

- Clean the painted metal or plywood surface from dirt and moisture. Fasten the sticker as shown in the figure 2.
- Note. Do not attach the sticker to rough surfaced laminate or painted wood.

## La plaque d'informations produit est livrée sous l'une de ces 3 formes :

### 1) Plaque métallique et vis

- Fixez la plaque à l'aide des vis.

### 2) Etiquette autocollante

- Avant de coller l'étiquette, nettoyez le composant métallique peint ou la plaque de contreplaqué, de toute saleté. La surface doit être sèche (voir image 2).
- Attention, ne pas coller l'étiquette sur une surface lamellé-collée irrégulière ou sur du bois peint.

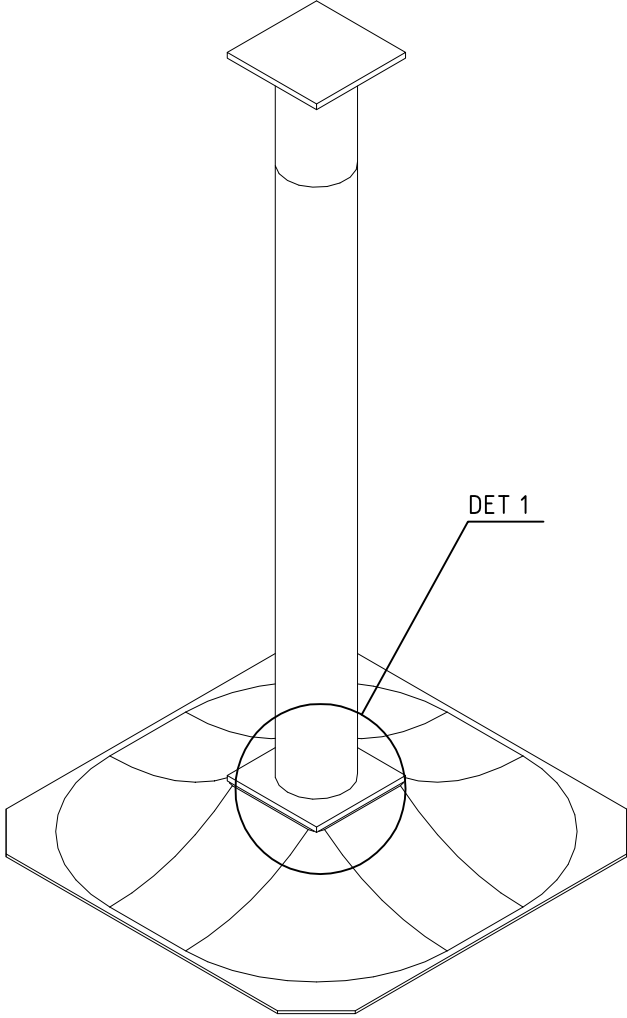
## Die Auslieferung des Produktaufklebers erfolgt auf eine dieser Arten:

### 1) Produkt-Schild aus Metall incl. Schrauben

- Die Befestigung des Schildes erfolgt mittels der Schrauben.

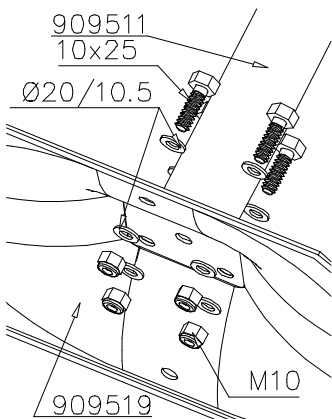
### 2) Aufkleber

- Entfernen Sie zunächst Schmutz und Feuchtigkeit vom lackierten Metall bzw. von der Holzoberfläche und bringen Sie den Aufkleber wie im Bild oben rechts beschrieben auf den gesäuberten Untergrund auf.
- Beachten Sie: Bringen Sie den Aufkleber nicht auf raues laminiertes oder lackiertes Holz an.



①	909511	PCS	②	909519	PCS
		1			1
③	909637	PCS	④	909638	PCS
		4			8
	M10			Ø20/10.5	
⑤	909639	PCS			PCS
		4			
	M10x25				
		PCS			PCS
		PCS			PCS
		PCS			PCS
		PCS			PCS

DET 1







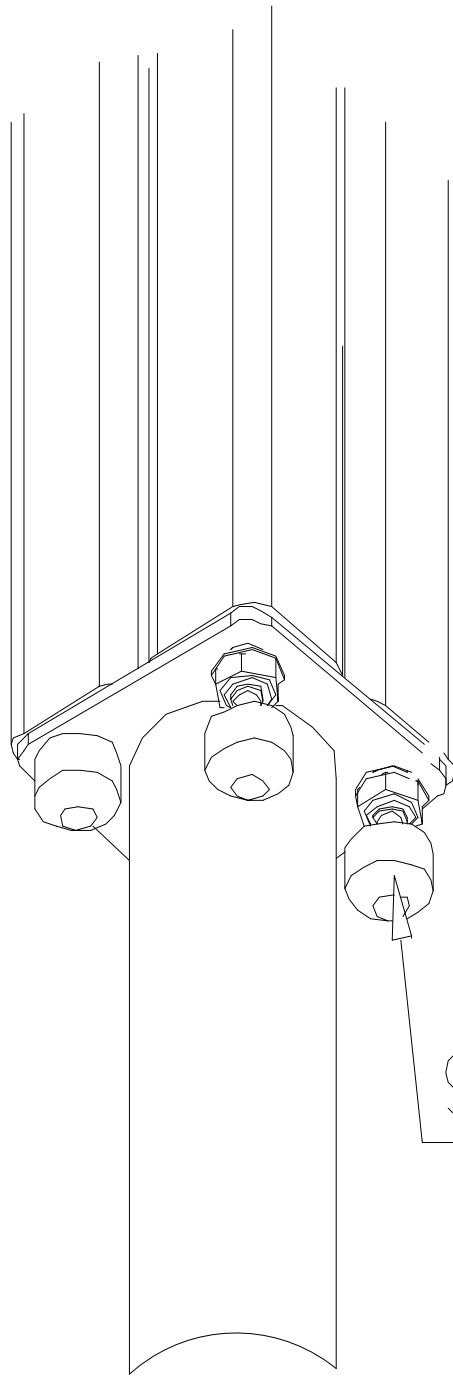
**LAPPSET®**  
**BETON FOUNDATION**

**FOOT**

DATE: 27.10.2015

**1(1)**

② 905104	PCS		PCS
	4		
 M10	PCS		PCS



905104

