

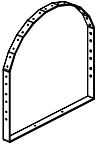
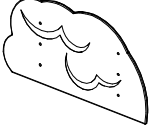






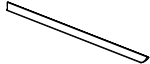

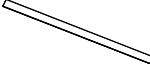
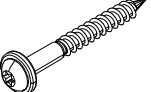
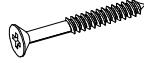

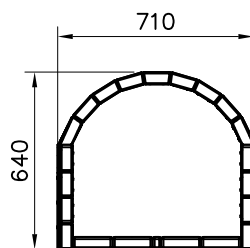
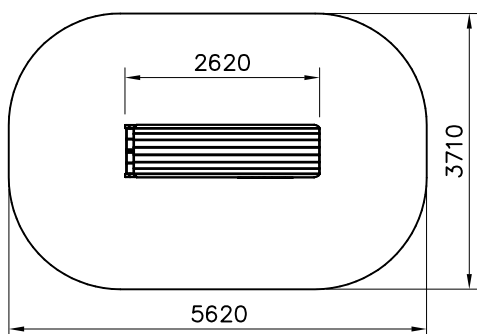
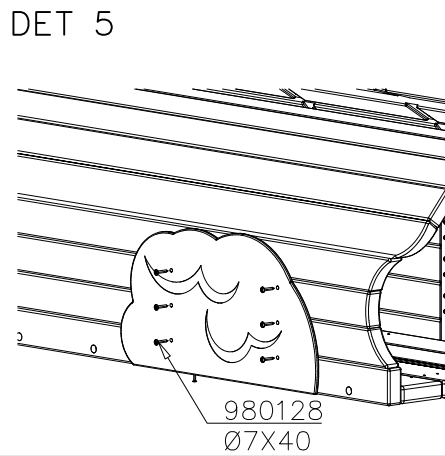
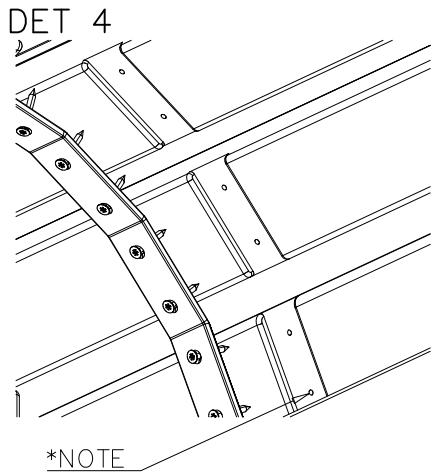
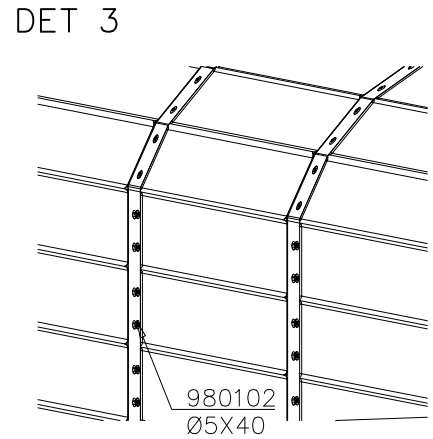
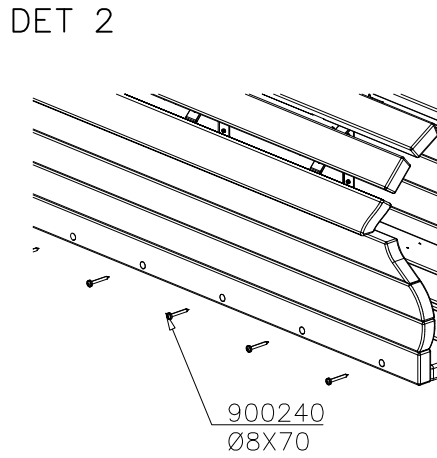
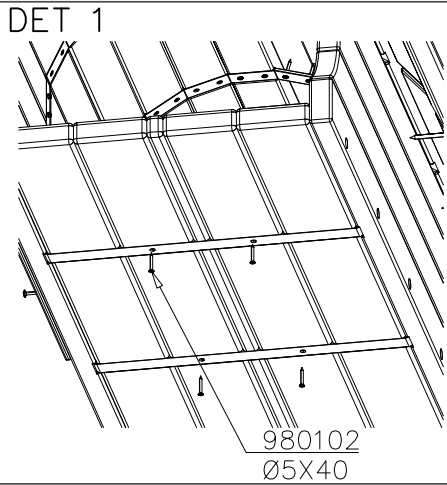


① 709927	PCS 1	② 709916	PCS 2
			
		45x95x2500	
③ 911481	PCS 4	④ 709926	PCS 1
			
		10x383x737	
⑤ 709923	PCS 1	⑥ 709917	PCS 1
			
45x95x2500		45x95x2500	
⑦ 709919	PCS 1	⑧ 709921	PCS 1
			
45x95x2500		45x95x2509	
⑨ 709922	PCS 1	⑩ 709918	PCS 1
			
45x95x2440		45x95x2440	
⑪ 709924	PCS 1	⑫ 709920	PCS 1
			
		45x95x2500	
⑬ 709925	PCS 7	⑭ 900240	PCS 16
			
45x95x2500			
⑮ 980102	PCS 128	⑯ 980128	PCS 6
			
Ø5x40/24		Ø7x40	

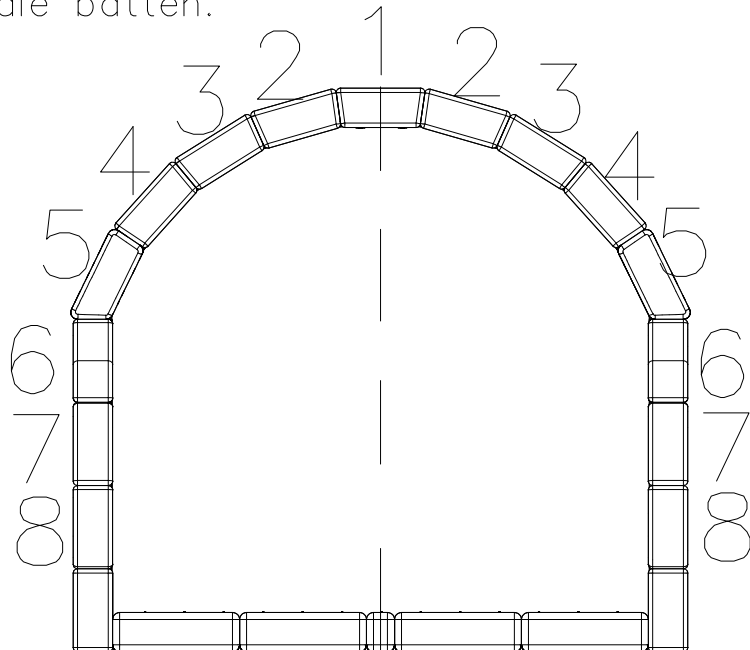
— EN/AS Impact Area 18.9 m<sup>2</sup>  
 - - - Falling Space 18.9 m<sup>2</sup>  
 Max Falling Height 750 mm



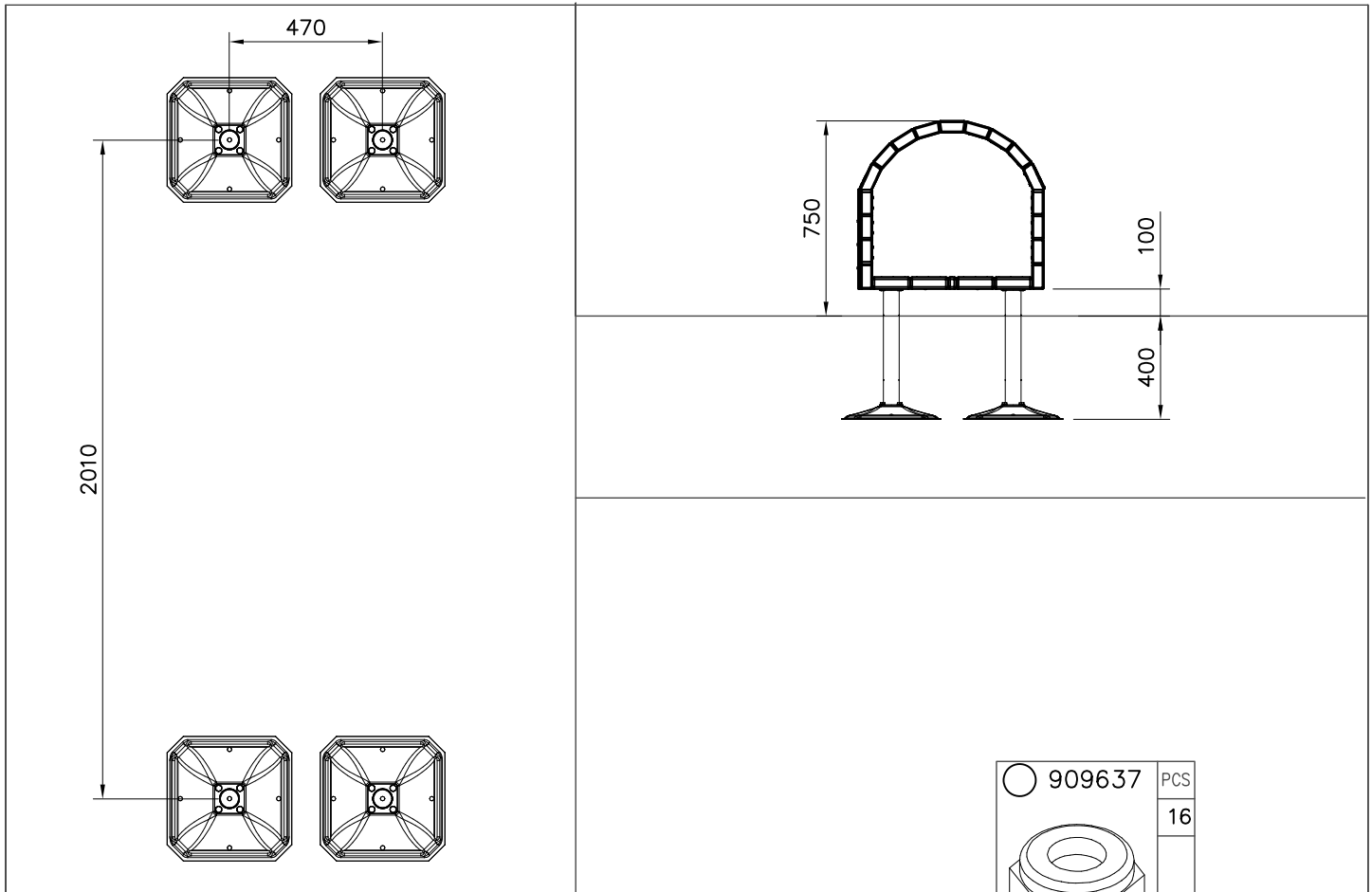


All battens have grooves for spine placement. The floor elements(709927) grooves are faced downwards so the spine will be hidden(DET 1).

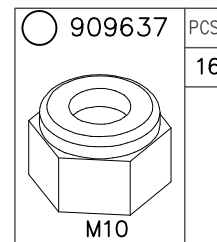
\*NOTE  
Top battens have pre-holes for correct placement, start assembling from the middle batten.



LAPPSET MOOMIN MP0204 2(4)



### Deep Foundation (MP0204)



<p>902272</p> <p>PCS 4</p> <p>90x90x450</p>	<p>909519</p> <p>PCS 4</p> <p>50x380x380</p>	<p>909256</p> <p>PCS 16</p> <p>Ø16/8.4x1.6</p>	<p>909639</p> <p>PCS 16</p> <p>M10x25</p>	<p>909638</p> <p>PCS 32</p> <p>Ø20/10.5</p>	<p>980128</p> <p>PCS 16</p> <p>Ø7x40</p>
---	--	--	---	---	--

