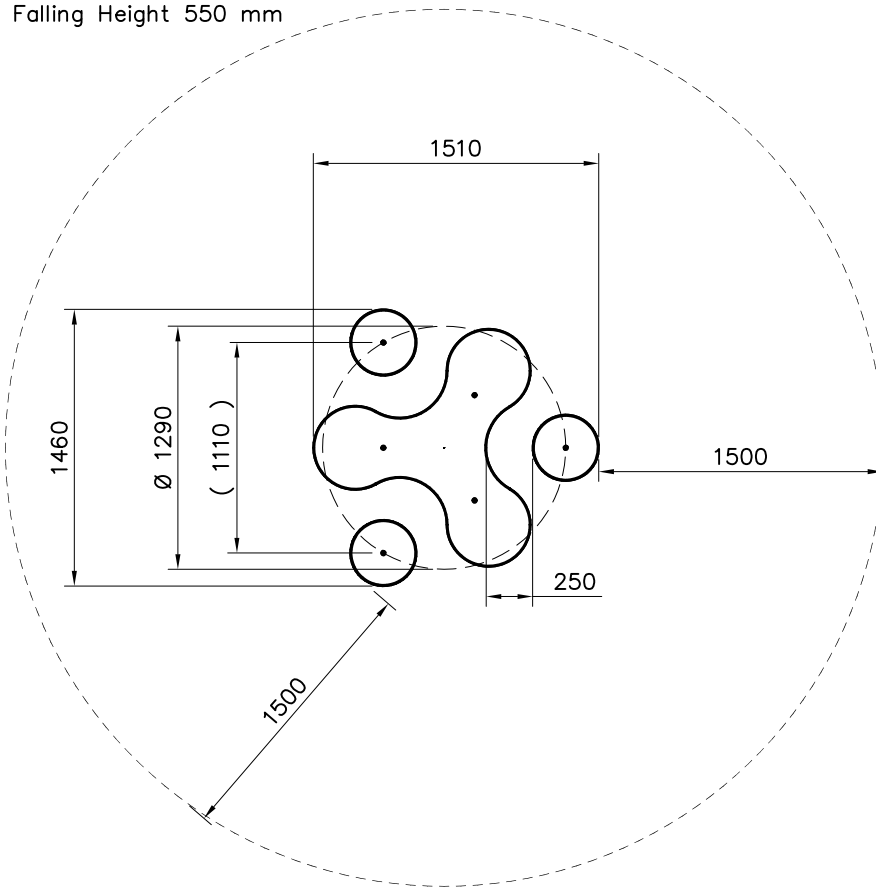
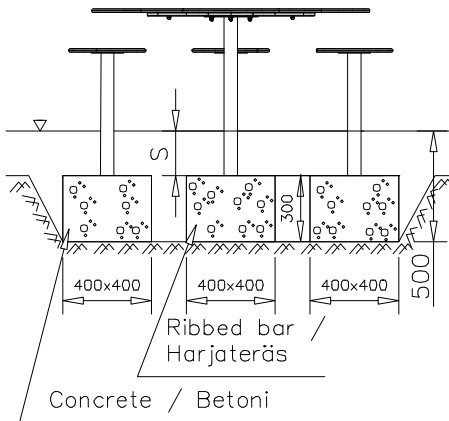


----- Falling Space 16.9 m2  
Max Falling Height 550 mm

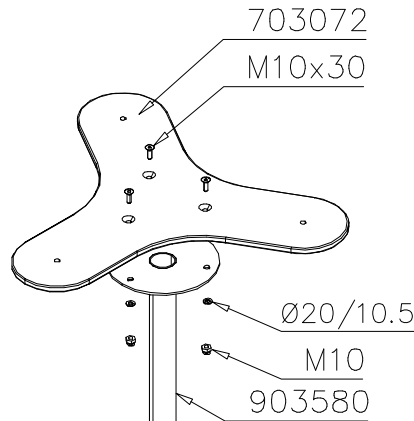


|                                  |          |                            |          |
|----------------------------------|----------|----------------------------|----------|
| ① P10591<br>BLUE<br>15x1149x1258 | PCS<br>1 | ② 703084<br>RED<br>Ø350x15 | PCS<br>3 |
| ③ 703072                         | PCS<br>1 | ④ 900958<br>M10x30         | PCS<br>3 |
| ⑤ 900965<br>M10                  | PCS<br>6 | ⑥ 901302<br>Ø20/10.5x2     | PCS<br>3 |
| ⑦ 901487<br>M10x40               | PCS<br>6 | ⑧ 903580<br>L=1020         | PCS<br>1 |
| ⑨ 903585<br>L=858                | PCS<br>3 |                            | PCS      |
|                                  | PCS      |                            | PCS      |
|                                  | PCS      |                            | PCS      |
|                                  | PCS      |                            | PCS      |

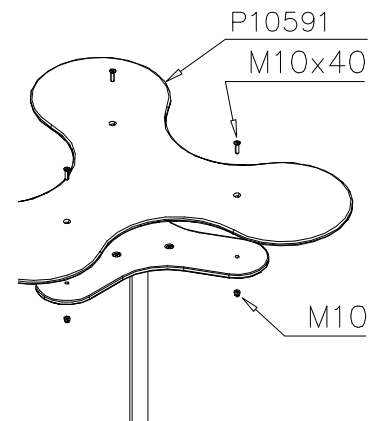
DET 1



DET 2



DET 3



DET 4

