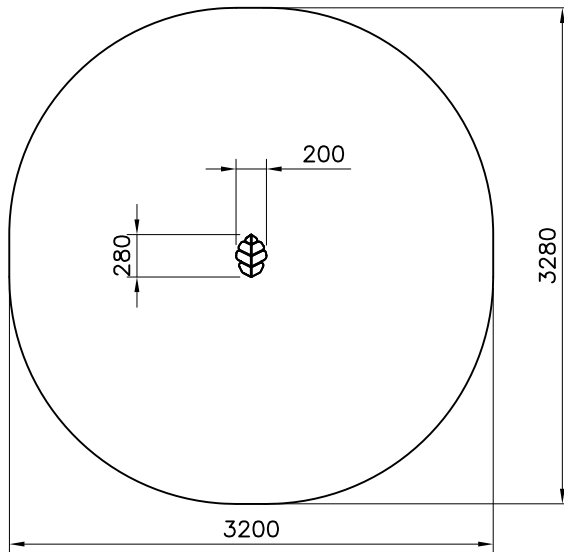
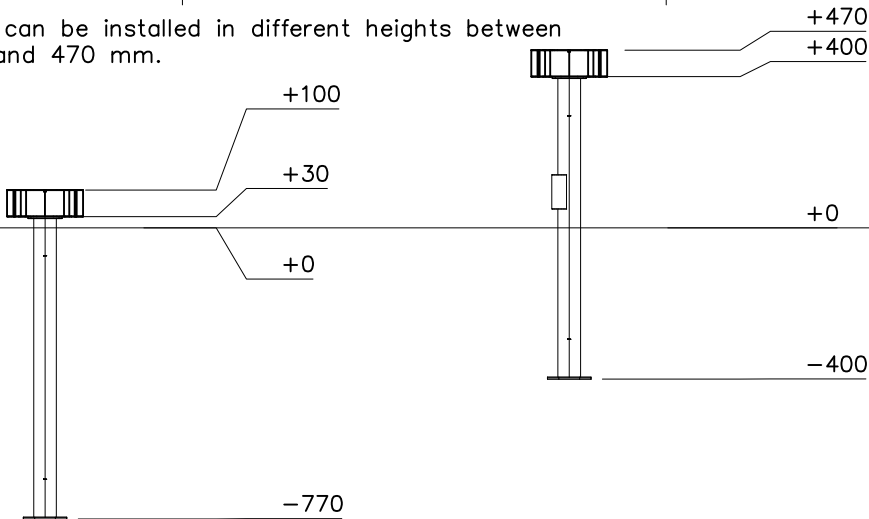


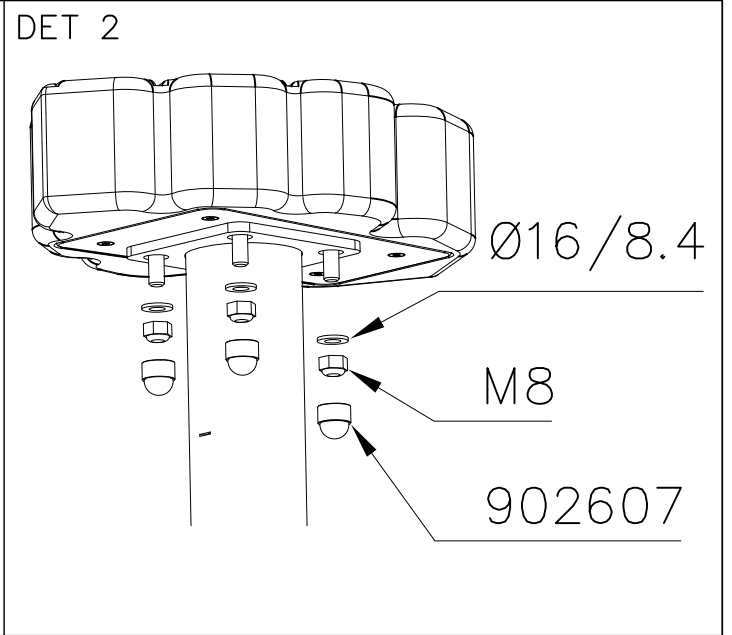
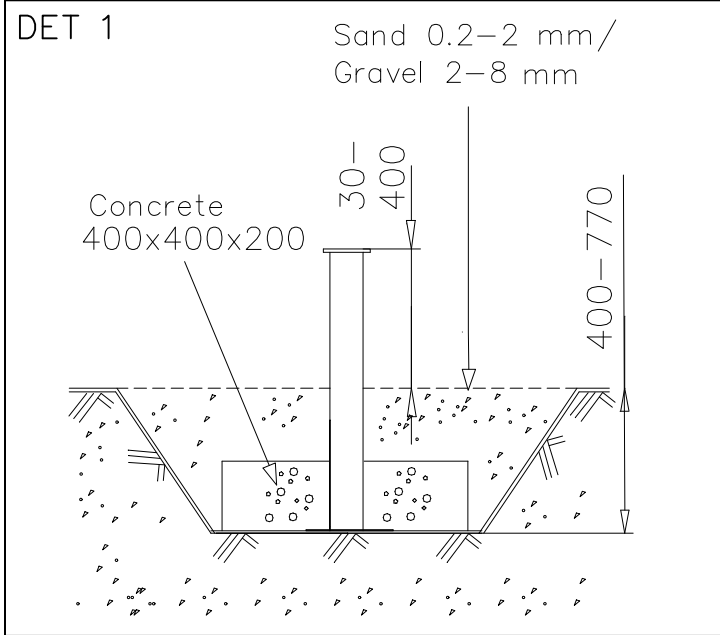
Falling Space 8.6 m<sup>2</sup>  
Max Falling Height 100–470 mm

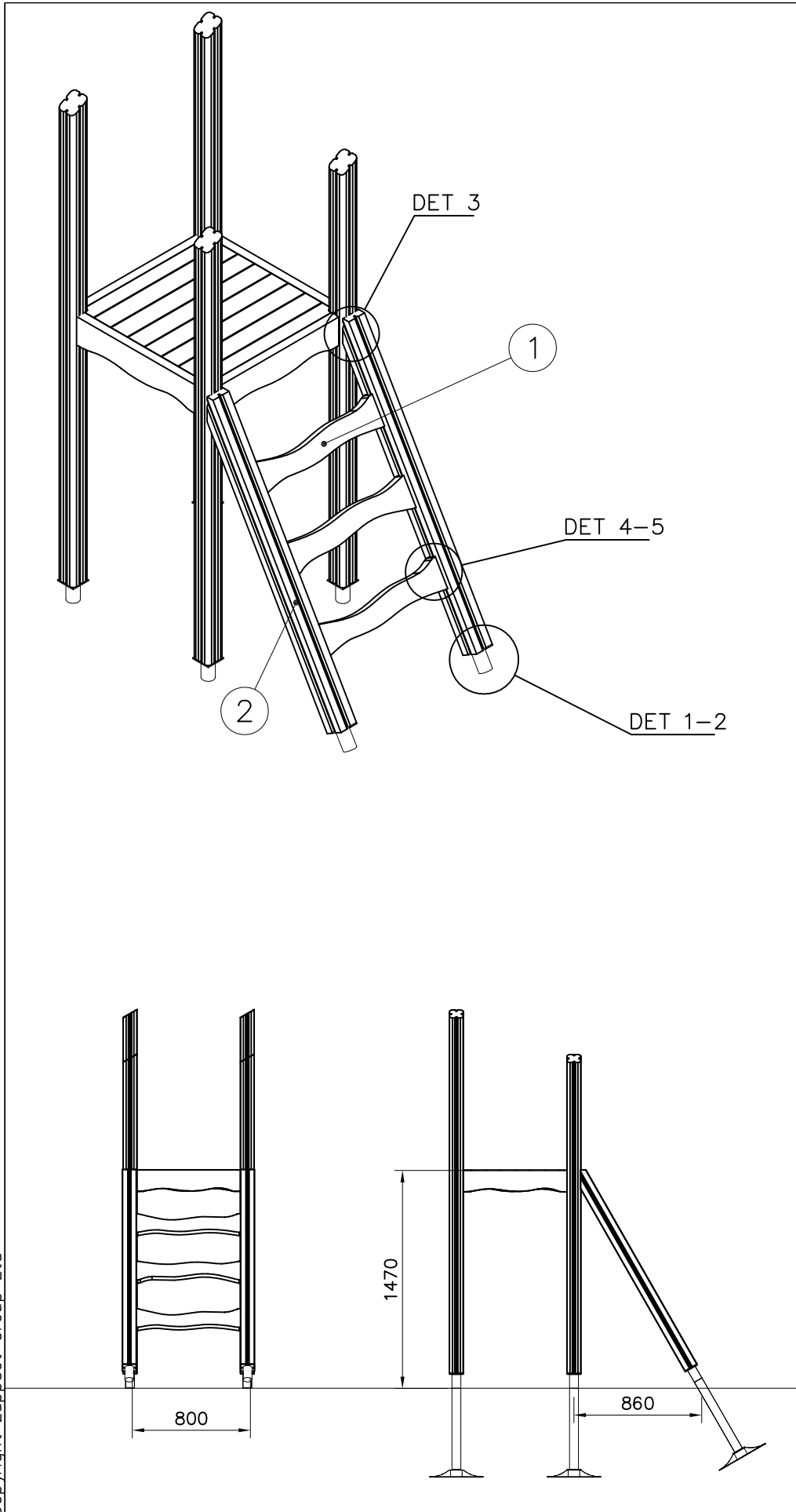


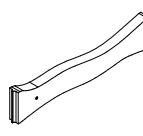

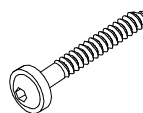

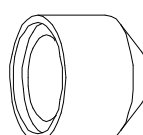
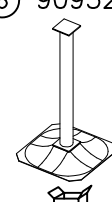
Step can be installed in different heights between 100 and 470 mm.



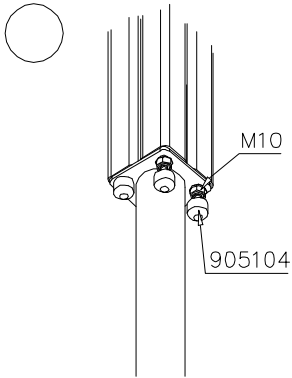
|             |     |  |     |
|-------------|-----|--|-----|
| ① 708820    | PCS | ② 909256                                   | PCS |
|             | 1   |  | 4   |
|             |     | Ø16/8.4                                    |     |
| ③ 903441    | PCS | ④ 980160                                   | PCS |
|             | 1   |  | 4   |
| 115x115x800 |     | M8   |     |
| ⑤ 902607    | PCS | ⑥ 702341                                   | PCS |
|             | 4   |  | 1   |
| M8          |     | LAPPSET Group Ltd<br>175561<br>1 June 2017 |     |
|             | PCS |  | PCS |
|             | PCS |  | PCS |
|             | PCS |  | PCS |
|             | PCS |  | PCS |
|             | PCS |  | PCS |
|             | PCS |  | PCS |



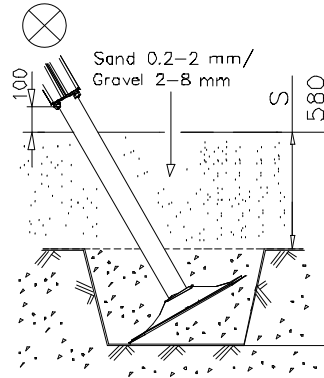


|   |     |   |     |
|---|-----|---|-----|
| ① 705197  | PCS | ② 705226  | PCS |
|  | 3   |  | 2   |
| L=724   |     | L=1527  |     |
| ③ 900240  | PCS | ④ 903093  | PCS |
|  | 12  |  | 4   |
| Ø8x70   |     | Ø8x90   |     |
| ⑤ 905104  | PCS | ⑥ 909521  | PCS |
|  | 8   |  | 2   |
| M10   |     |   |     |
|   | PCS |   | PCS |
|   |     |   |     |
|   | PCS |   | PCS |
|   |     |   |     |
|   | PCS |   | PCS |
|   |     |   |     |
|   | PCS |   | PCS |
|   |     |   |     |

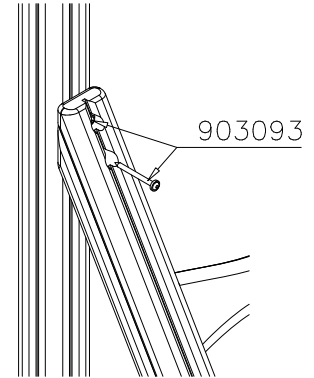
DET 1



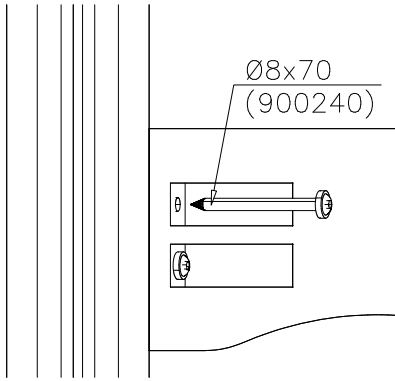
DET 2



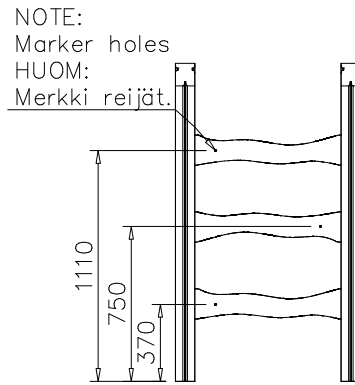
DET 3

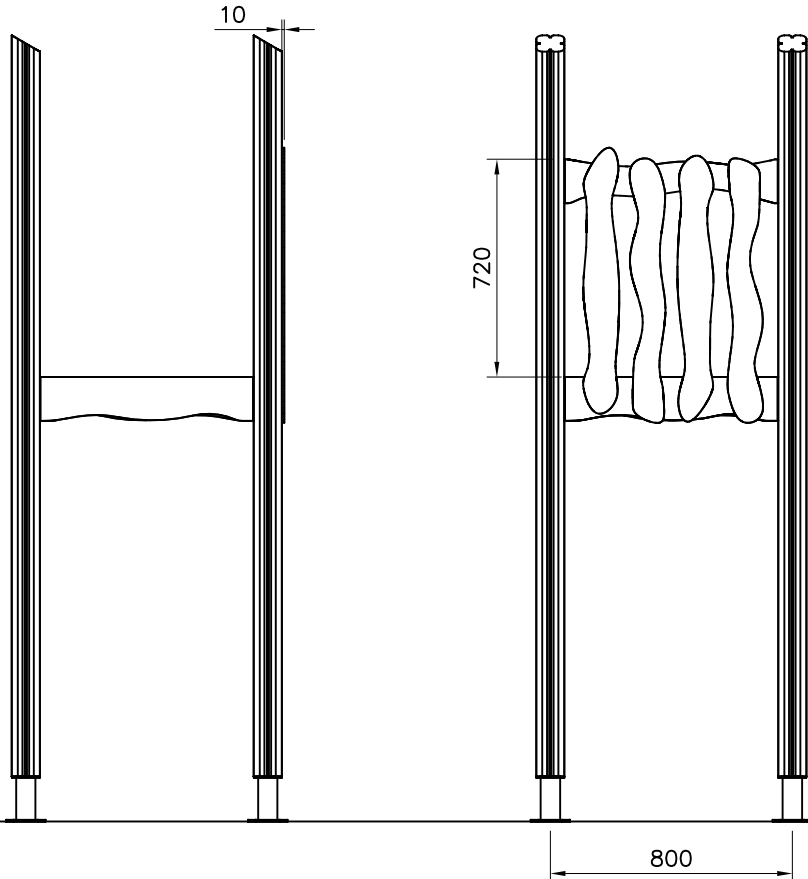
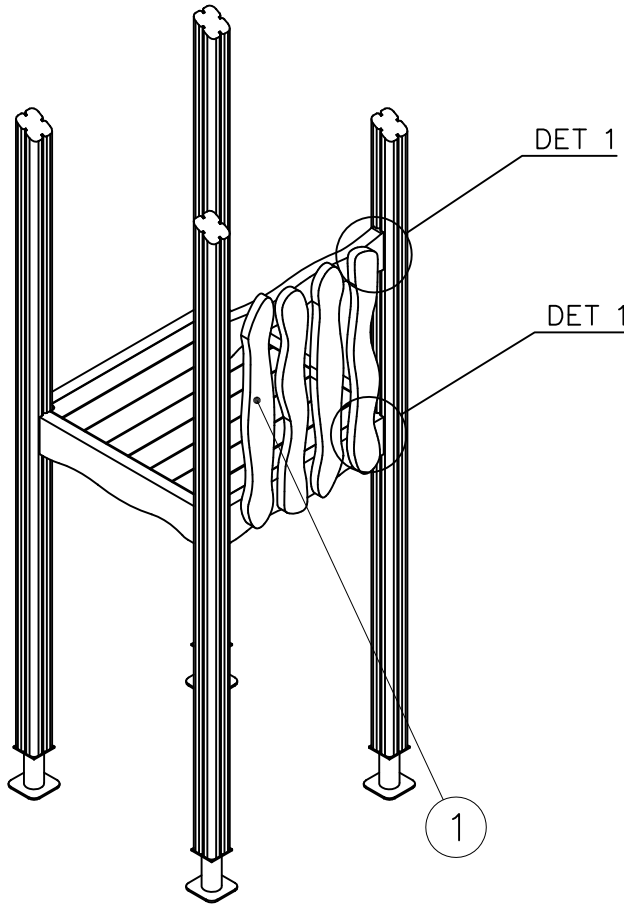


DET 4



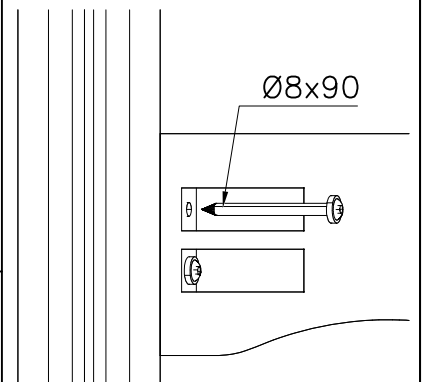
DET 5

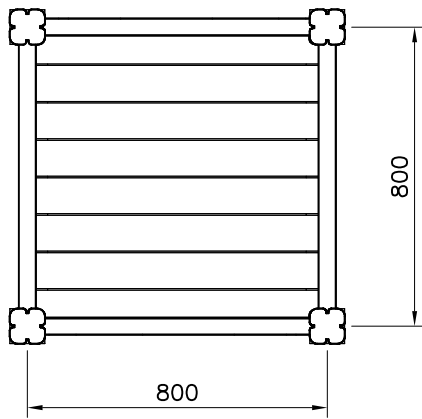
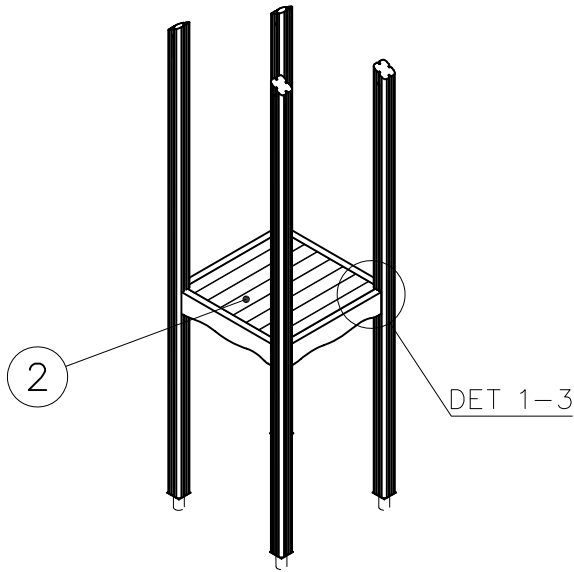




|          |     |          |     |
|----------|-----|----------|-----|
| ① 705210 | PCS | ② 903093 | PCS |
|          | 1   |          | 8   |
|          |     | Ø8x90    |     |
|          | PCS |          | PCS |
|          |     |          |     |
|          | PCS |          | PCS |
|          |     |          |     |
|          | PCS |          | PCS |
|          |     |          |     |
|          | PCS |          | PCS |
|          |     |          |     |

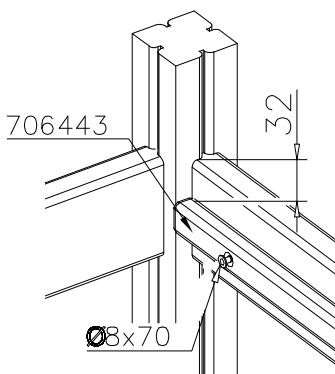
DET 1



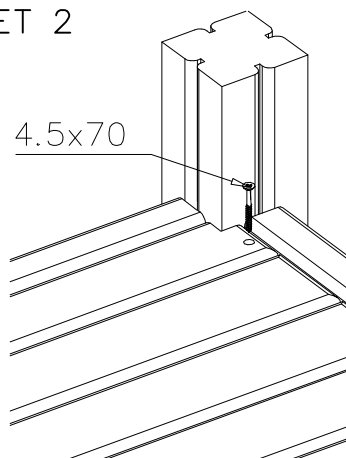


|           |     |            |     |
|-----------|-----|------------|-----|
| ① 706443  | PCS | ② 705257   | PCS |
|           | 2   |            | 1   |
| 32x45x702 |     | 32x750x750 |     |
| ③ 900240  | PCS | ④ 980101   | PCS |
|           | 6   |            | 8   |
| Ø8x70     |     | Ø4.5x70    |     |
|           | PCS |            | PCS |
|           |     |            |     |
|           | PCS |            | PCS |
|           |     |            |     |

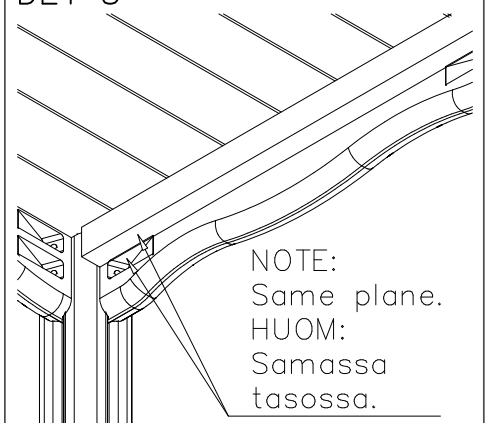
DET 1

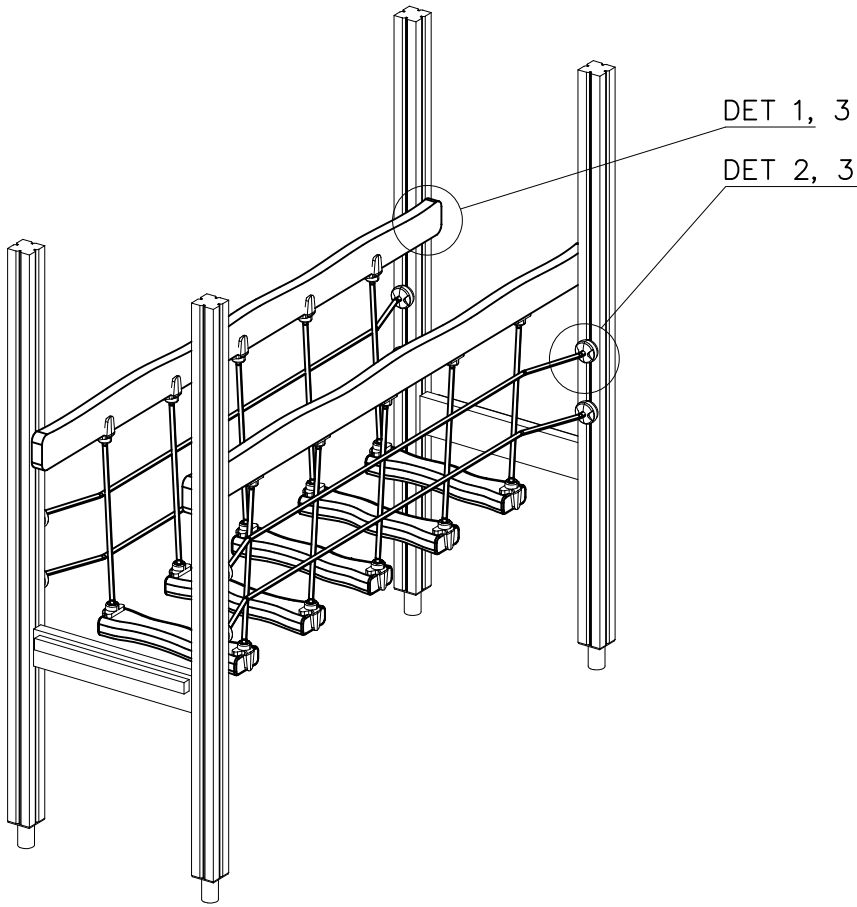


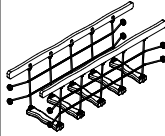
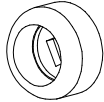




DET 2

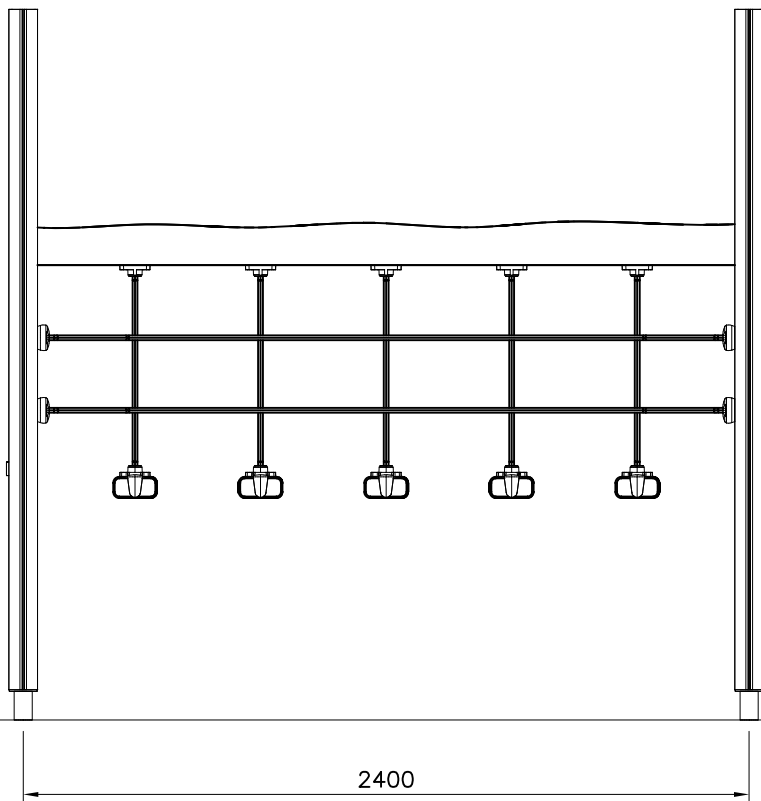
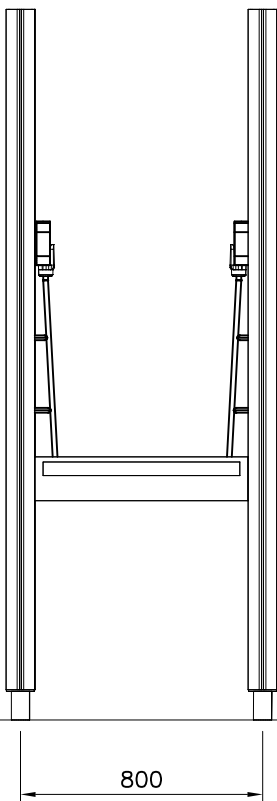


DET 3

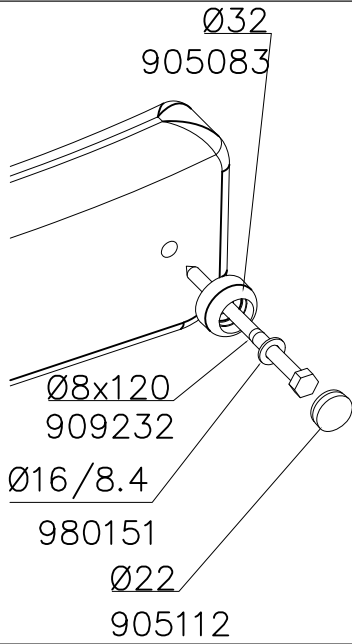




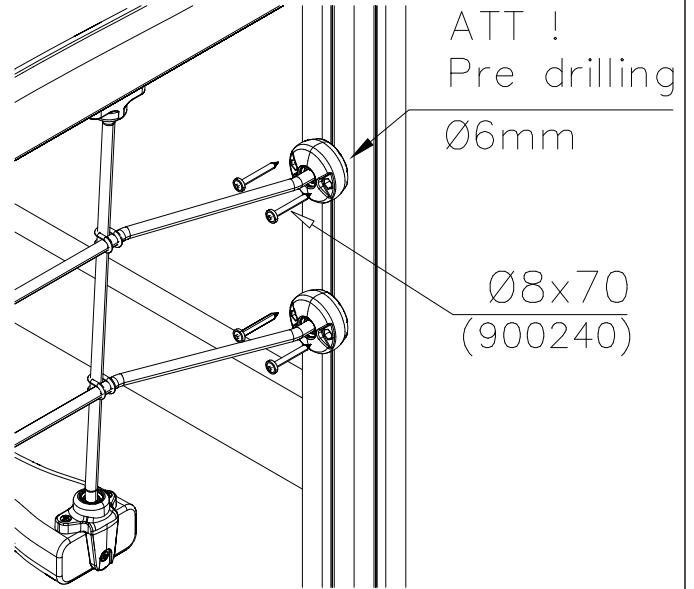
|   |     |   |     |
|---|-----|---|-----|
| ① 705248  | PCS | ② 905083  | PCS |
|  | 1   |  | 4   |
|   |     | Ø32   |     |
| ③ 905112  | PCS | ④ 909232  | PCS |
|  | 4   |  | 4   |
| Ø22   |     | Ø8x120  |     |
| ⑤ 980151  | PCS | ⑥ 900240  | PCS |
|  | 4   |  | 16  |
| Ø16/8.4   |     | Ø8x70   |     |
|   | PCS |   | PCS |



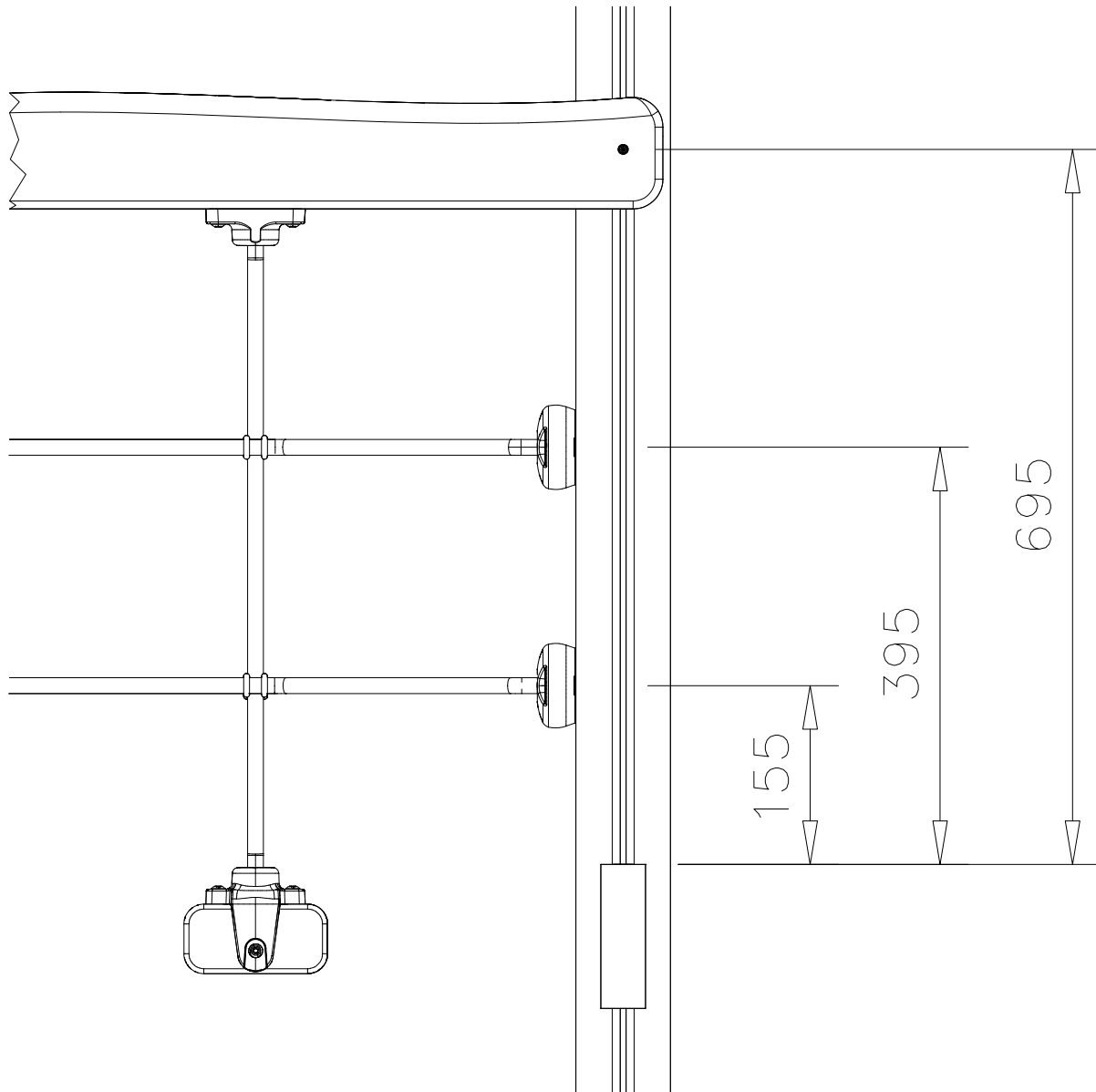
DET 1



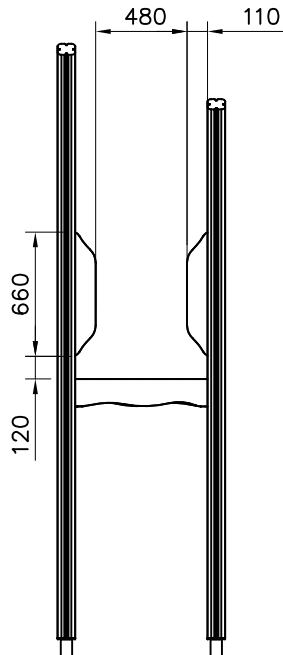
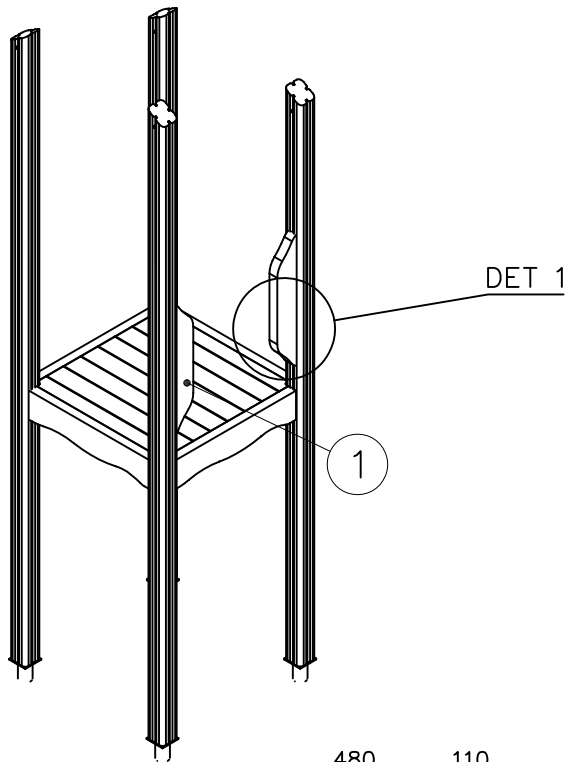
DET 2


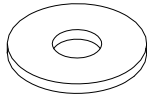

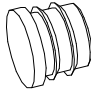


DET 3

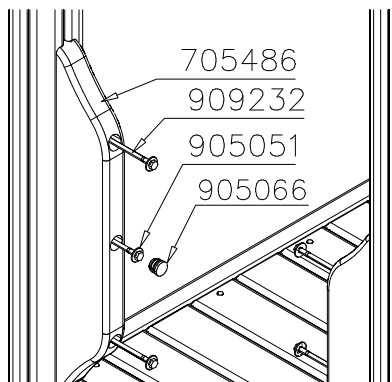


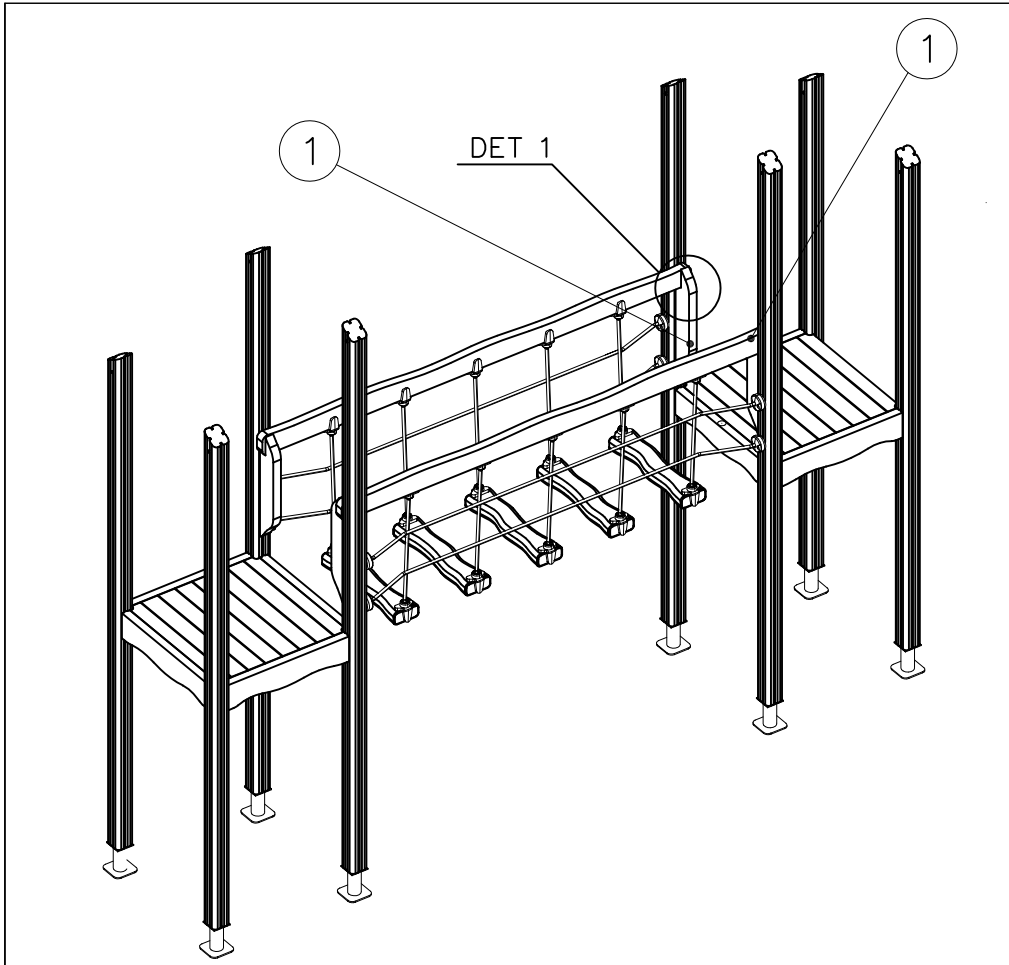



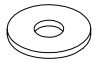
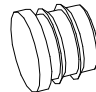



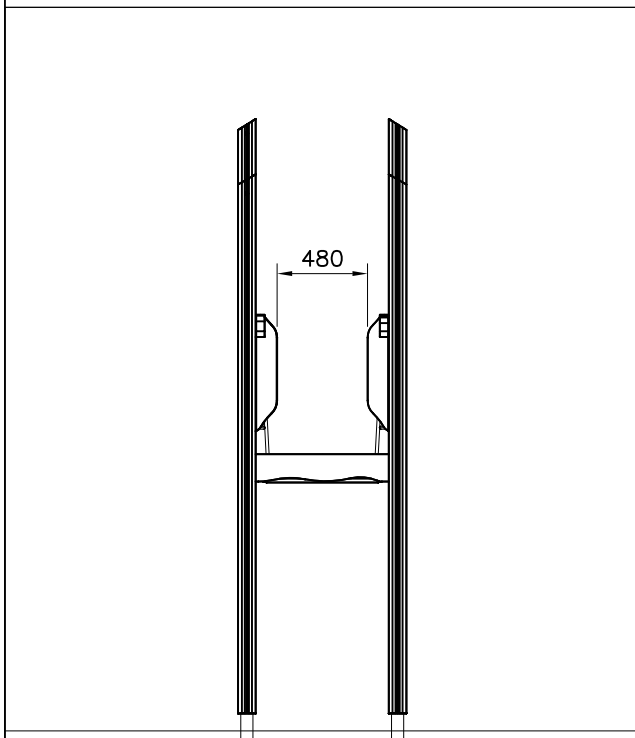
|   |     |   |     |
|---|-----|---|-----|
| ① 705486  | PCS | ② 905051  | PCS |
|  | 2   |  | 6   |
| 45x120x660  |     | Ø24/8.4   |     |
| ③ 909232  | PCS | ④ 905066  | PCS |
|  | 6   |  | 6   |
| 8x120   |     | S30H  |     |
|   | PCS |   | PCS |
|   |     |   |     |
|   | PCS |   | PCS |
|   |     |   |     |
|   | PCS |   | PCS |
|   |     |   |     |
|   | PCS |   | PCS |
|   |     |   |     |

DET 1

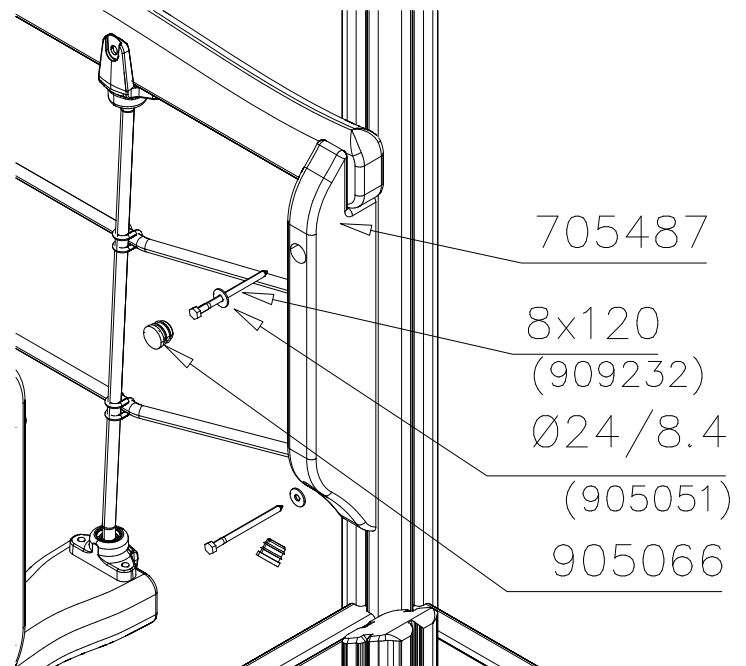


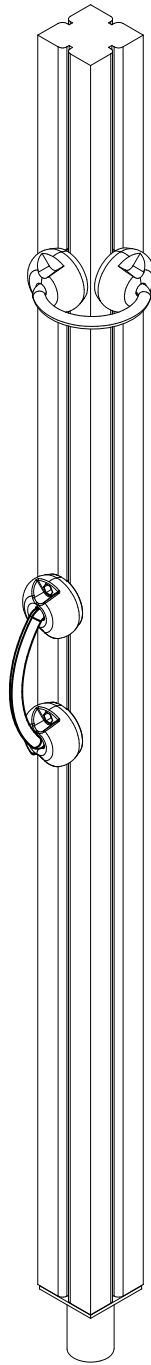


|   |     |   |     |
|---|-----|---|-----|
| ① 705487  | PCS | ② 905051  | PCS |
|  | 2   |  | 4   |
| 45x120x590  |     | Ø24/8.4   |     |
| ③ 905066  | PCS | ④ 909232  | PCS |
|  | 4   |  | 4   |
| S30H  |     | 8x120   |     |
|   | PCS |   | PCS |
|   |     |   |     |
|   | PCS |   | PCS |
|   |     |   |     |



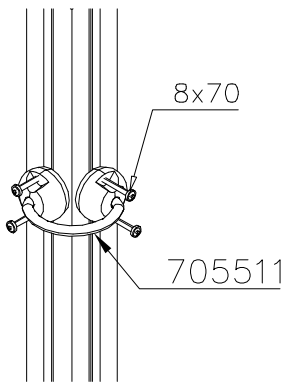
DET 1



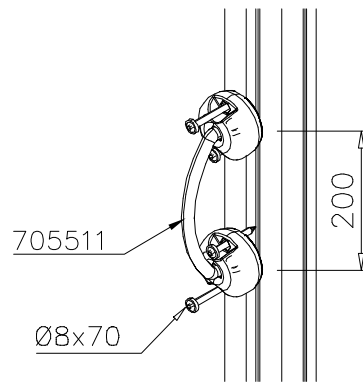


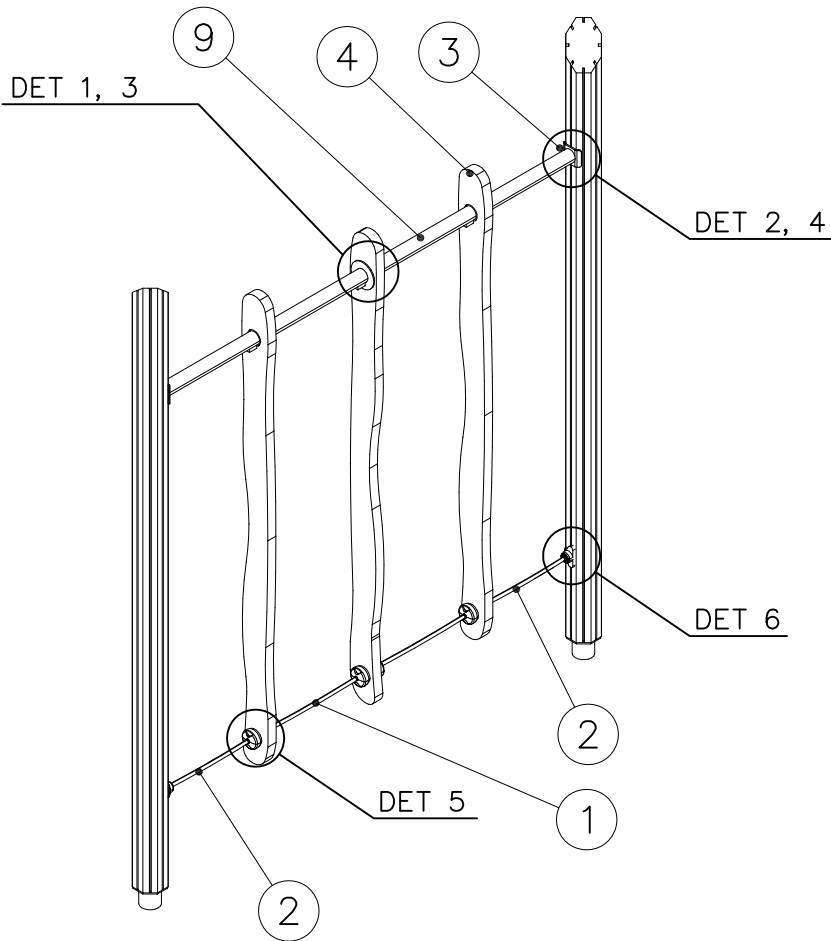
|          |     |          |     |
|----------|-----|----------|-----|
| ① 705510 | PCS | ② 900240 | PCS |
|          | 1   |          | 4   |
|          |     | Ø8x70    |     |
|          | PCS |          | PCS |
|          |     |          |     |
|          | PCS |          | PCS |
|          |     |          |     |
|          | PCS |          | PCS |
|          |     |          |     |
|          | PCS |          | PCS |
|          |     |          |     |
|          | PCS |          | PCS |
|          |     |          |     |
|          | PCS |          | PCS |
|          |     |          |     |
|          | PCS |          | PCS |
|          |     |          |     |
|          | PCS |          | PCS |
|          |     |          |     |

DET 1

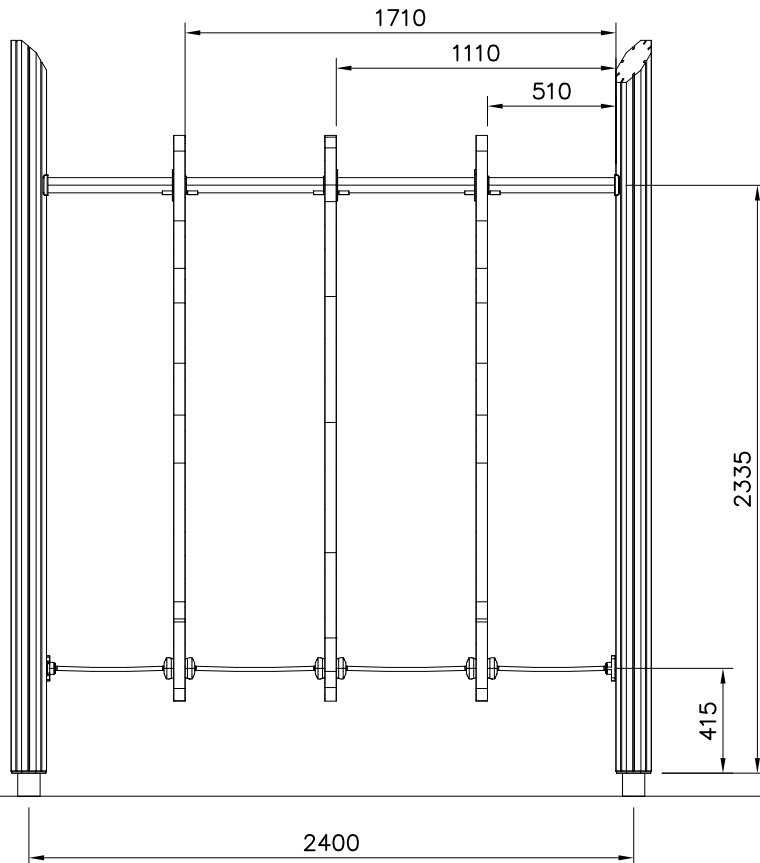


DET 2

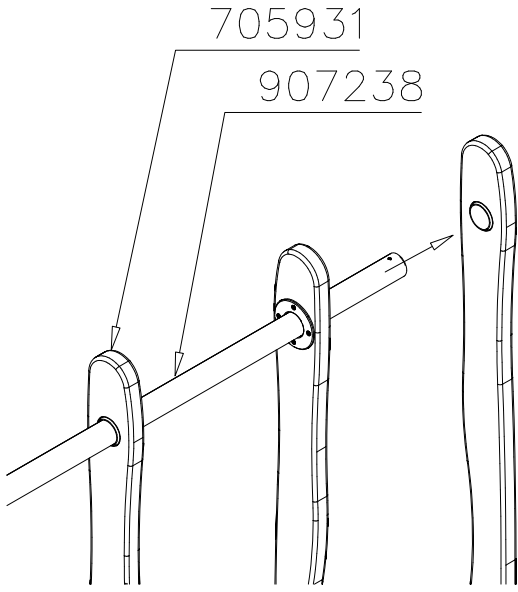




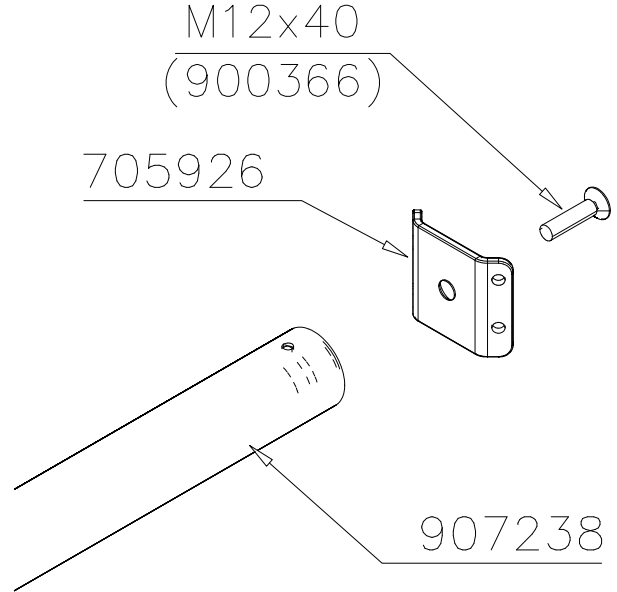
|          |     |             |     |
|----------|-----|-------------|-----|
| ① 705244 | PCS | ② 705810    | PCS |
|          | 2   |             | 2   |
| Ø16x555  |     | Ø16x507     |     |
| ③ 705926 | PCS | ④ 705931    | PCS |
|          | 1   |             | 3   |
| 6x80x96  |     | 45x142x2245 |     |
| ⑤ 900240 | PCS | ⑥ 900790    | PCS |
|          | 12  |             | 6   |
| Ø8x70    |     | 4.8x18      |     |
| ⑦ 900366 | PCS | ⑧ 906541    | PCS |
|          | 1   |             | 6   |
| M12x40   |     | M8x95       |     |
| ⑨ 907238 | PCS | ⑩ 907244    | PCS |
|          | 1   |             | 6   |
|          |     | 15x40x40    |     |
| ⑪ 980160 | PCS |             | PCS |
|          | 6   |             |     |
| M8       |     |             |     |



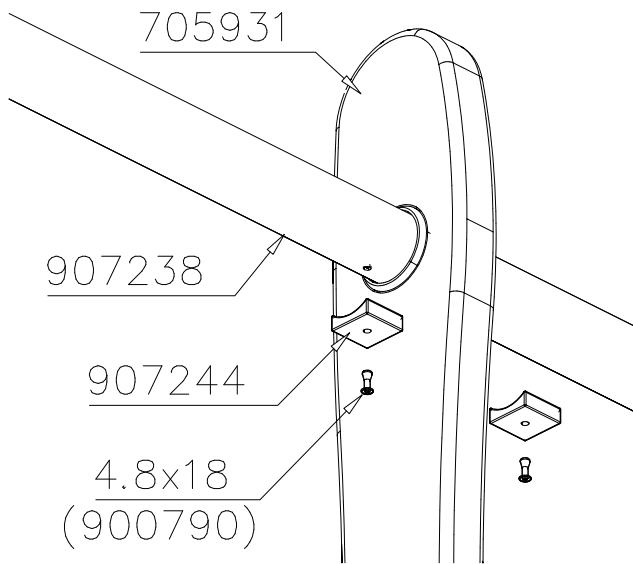
DET 1



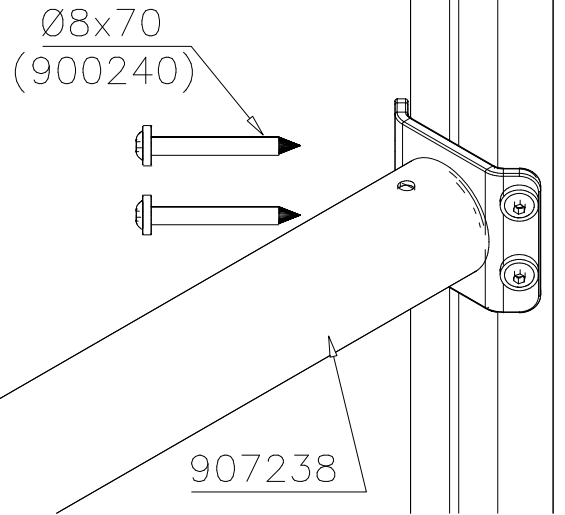
DET 2



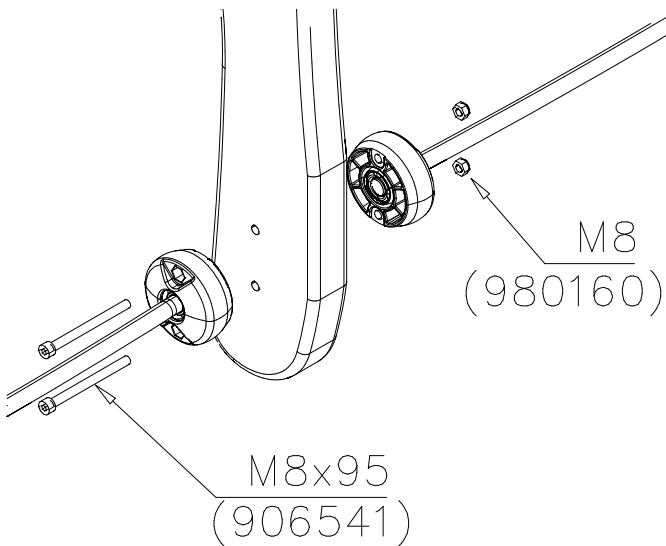
DET 3



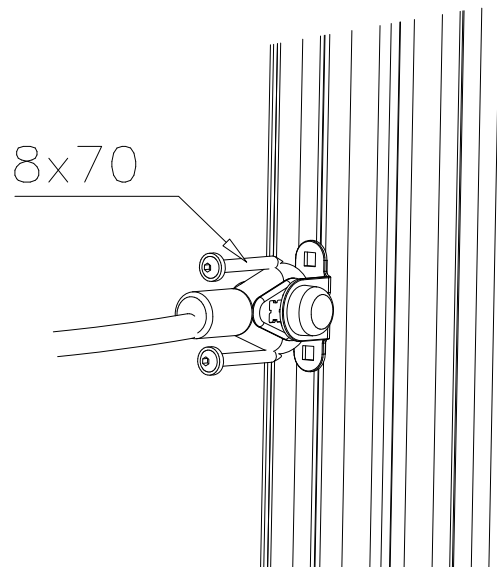
DET 4

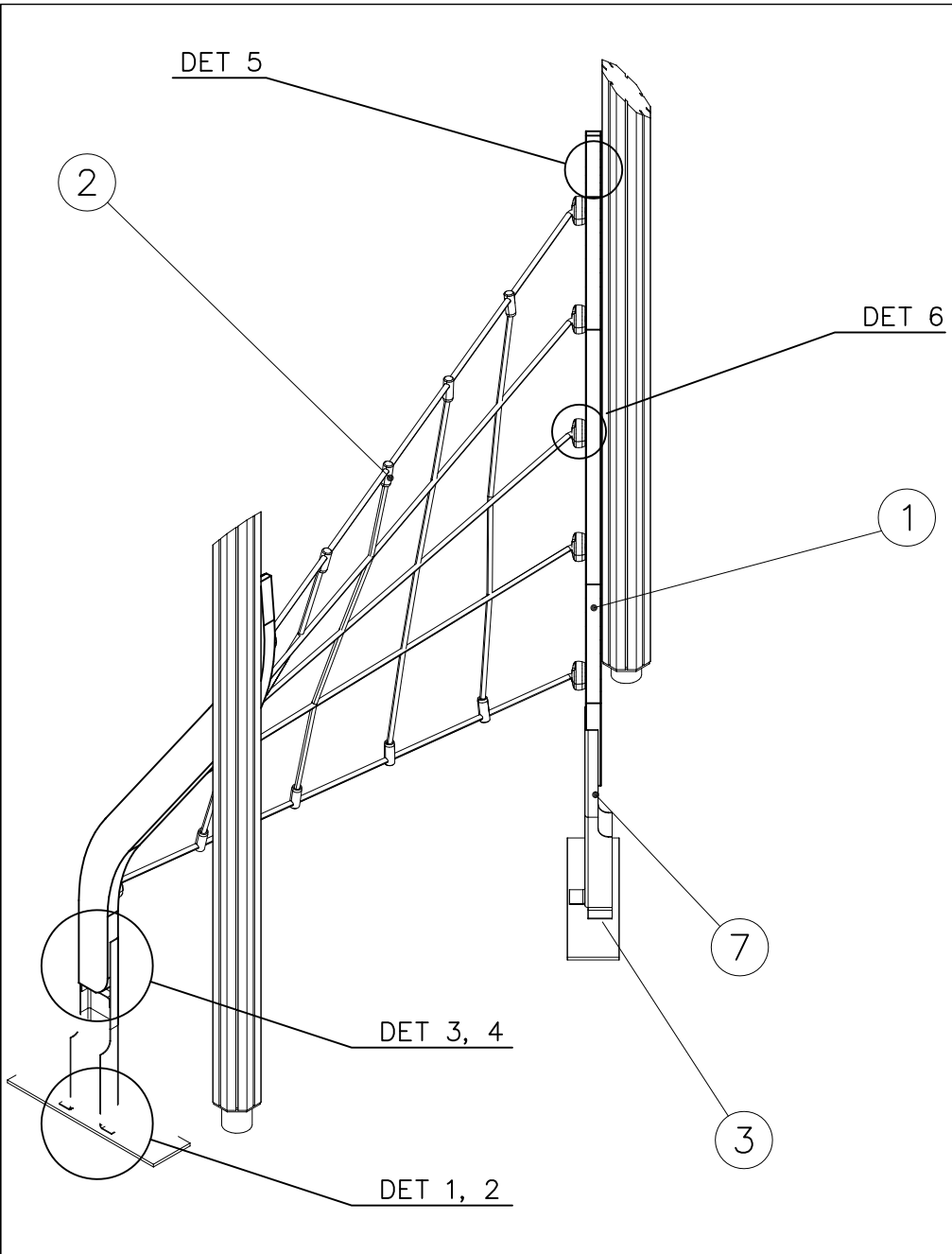


DET 5



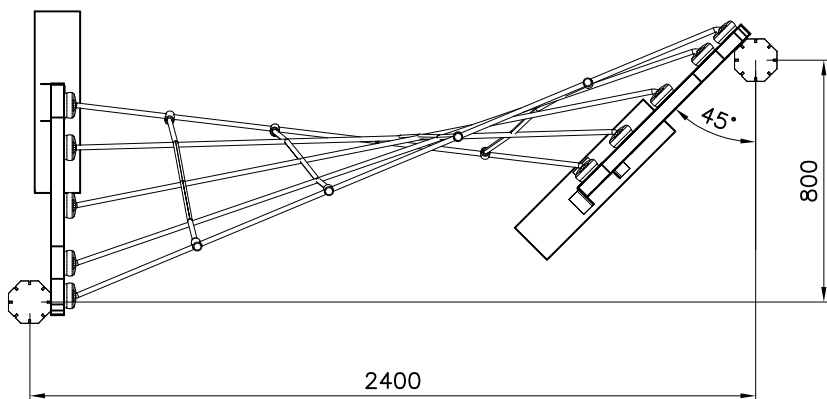
DET 6



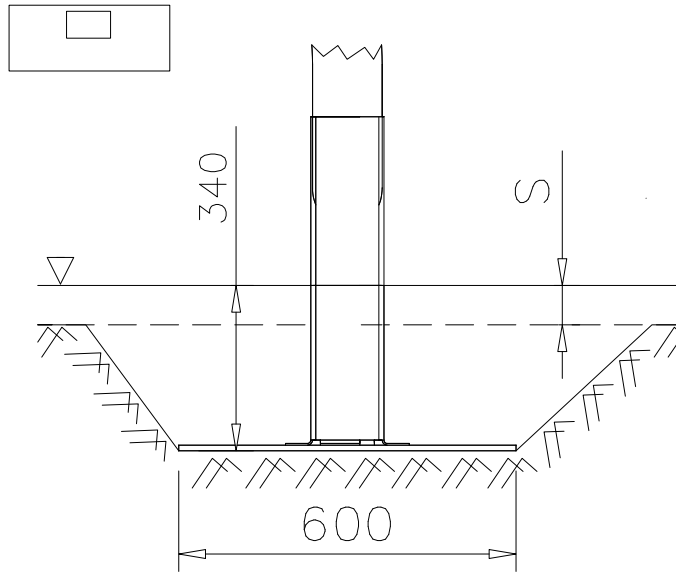


|             |     |          |     |
|-------------|-----|----------|-----|
| ① 705806    | PCS | ② 705895 | PCS |
|             | 2   |          | 1   |
| 43x118x1799 |     |          |     |
| ③ 705946    | PCS | ④ 903093 | PCS |
|             | 2   |          | 8   |
| 10x150x600  |     | Ø8x90    |     |
| ⑤ 905827    | PCS | ⑥ 907663 | PCS |
|             | 4   |          | 2   |
| M8x20       |     |          |     |
| ⑦ 907664    | PCS | ⑧ 909629 | PCS |
|             | 2   |          | 12  |
|             |     | M10x30   |     |
| ⑨ 909638    | PCS | ⑩ 909637 | PCS |
|             | 20  |          | 12  |
| Ø20/10.5    |     | M10      |     |
| ⑪ 980128    | PCS | ⑫ 980123 | PCS |
|             | 10  |          | 20  |
| Ø7x40       |     | Ø7x60    |     |
| ⑬ 902532    | PCS | ⑭ 980160 | PCS |
|             | 4   |          | 4   |
| Ø10x60      |     | M8       |     |
|             | PCS |          | PCS |

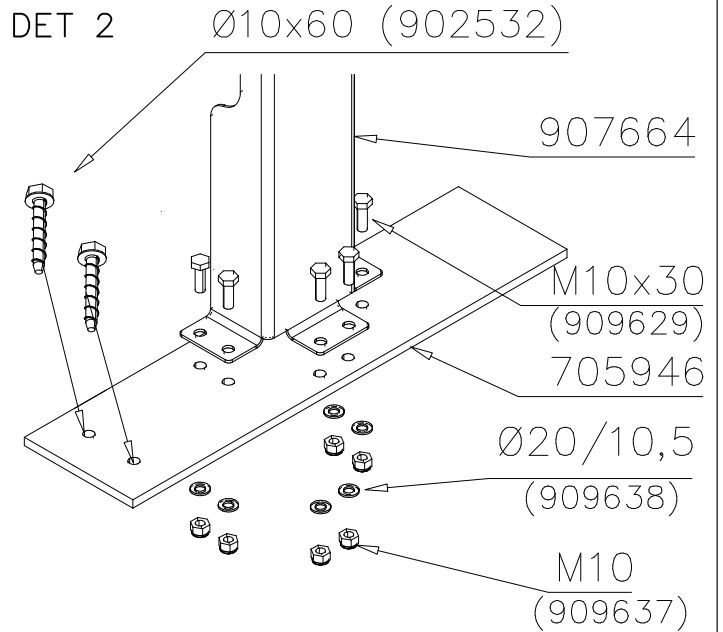
1:25



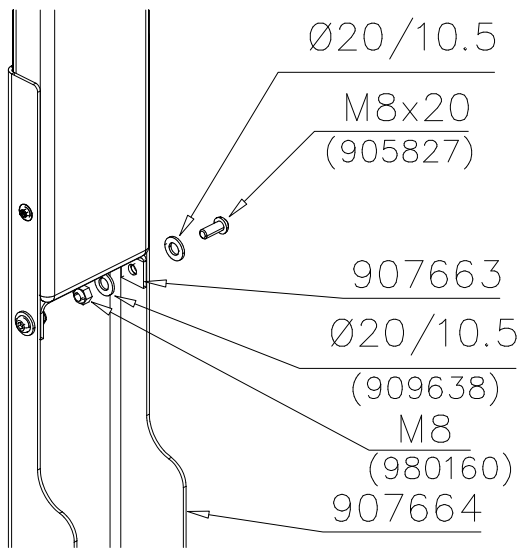
DET 1



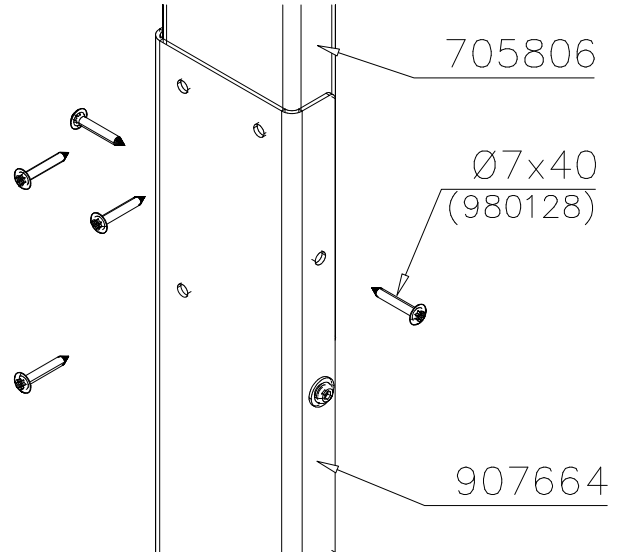
DET 2



DET 3

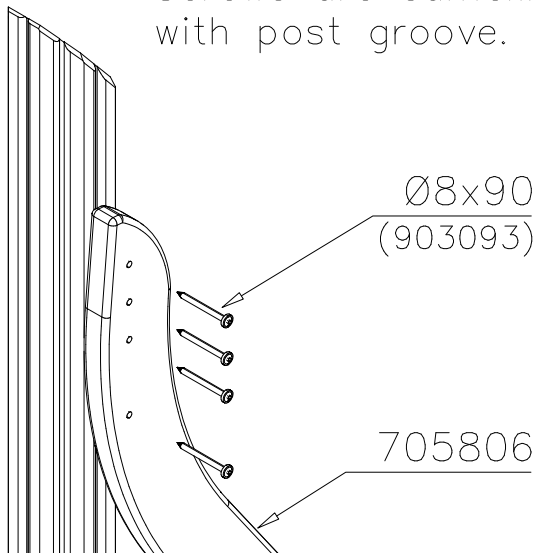


DET 4

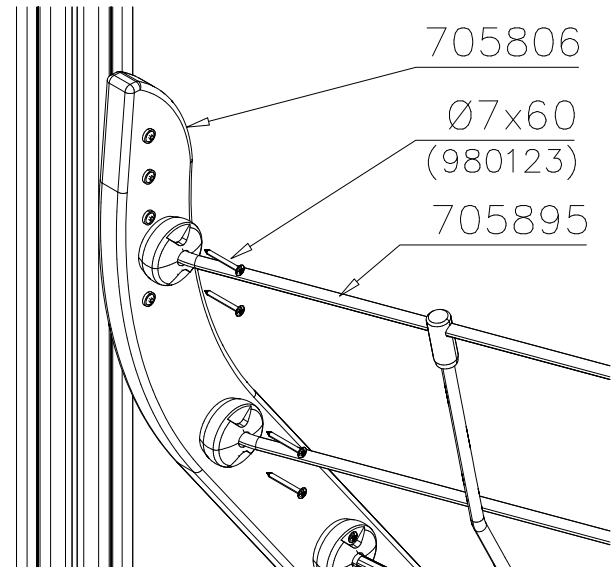


DET 5

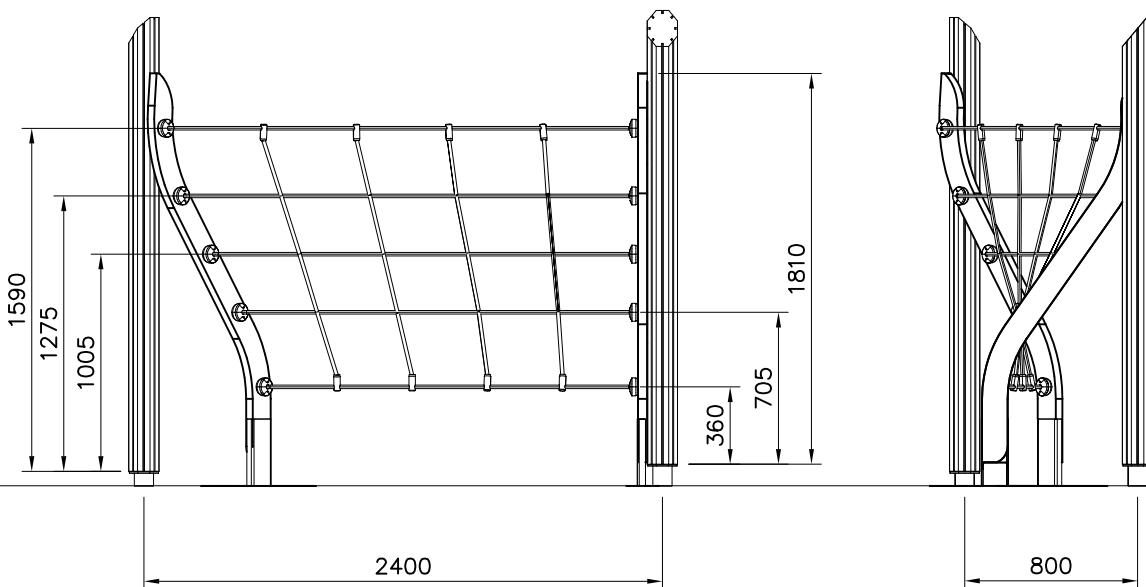
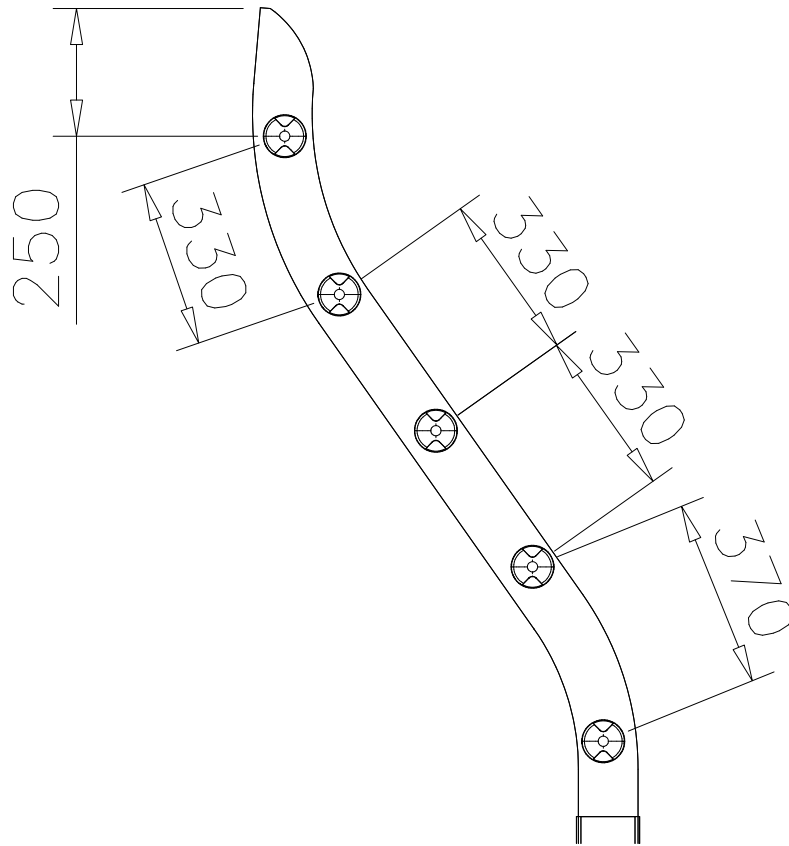
Screws are sameline with post groove.



DET 6



Huom!  
Mitoitus tulee keskilinjalle puomia.  
Note:  
The fastenings will be  
center line of the boom.





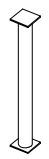
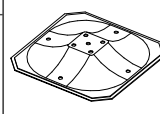
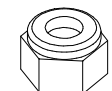
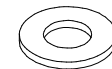
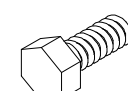

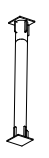
# LAPPSET® DEEP FOUNDATION

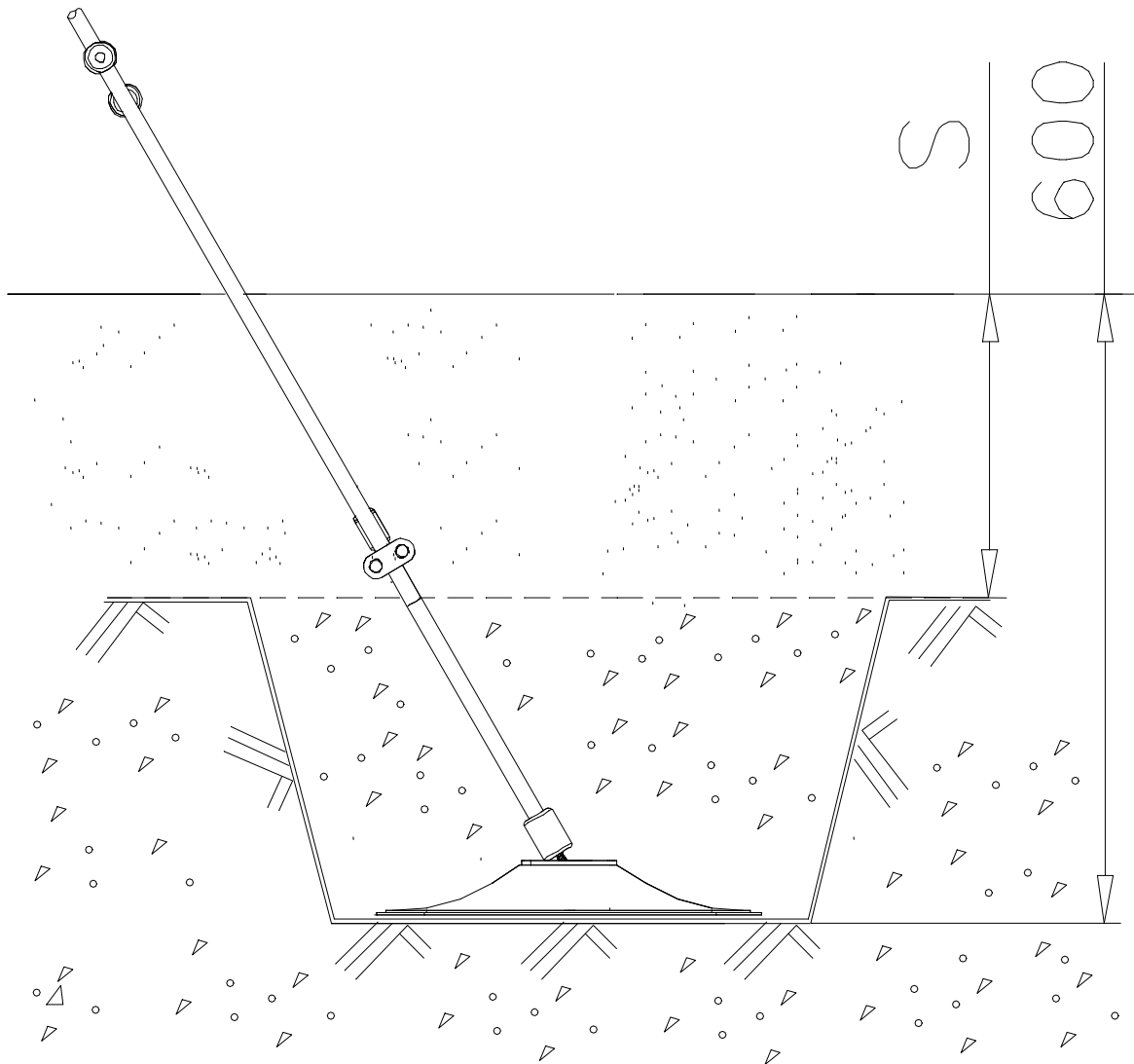
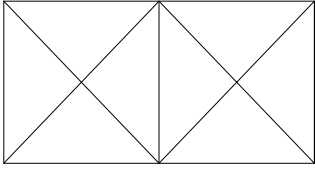
# FOOT

DATE: 15.5.2018

1(1)



|             |   |     |   |   |     |
|-------------|---|-----|---|---|-----|
| ①           | 909511  | PCS | ② | 909519  | PCS |
|             |    | 1   |   |  | 1   |
|             | 90x90x650   |     |   | 50x380x380  |     |
| ③           | 909637  | PCS | ④ | 909638  | PCS |
|             |    | 4   |   |  | 8   |
|             | M10   |     |   | Ø20/10.5  |     |
| ⑤           | 909639  | PCS | ⑥ | 905104  | PCS |
|             |    | 4   |   |  | 4   |
|             | M10x25  |     |   | M10   |     |
| OPTION FOOT |   |     |   |   |     |
| ①           | 911155  | PCS |   |   | PCS |
|             |  | 1   |   |   |     |
|             | 90x90x650   |     |   |   |     |

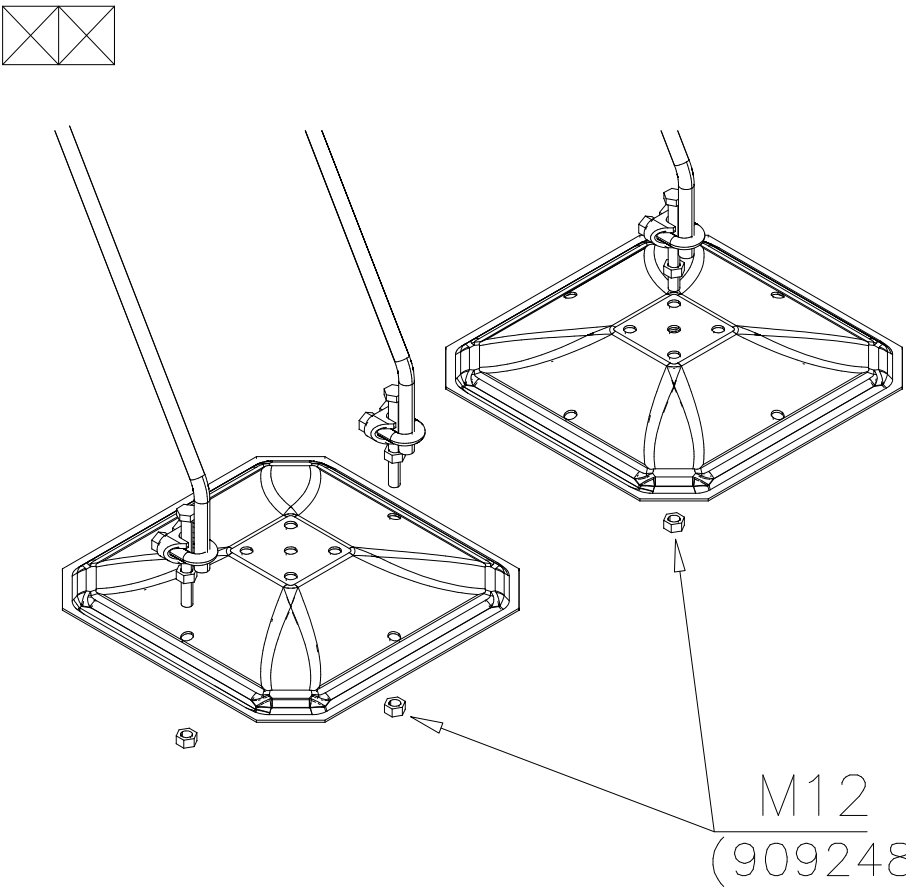


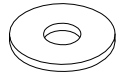
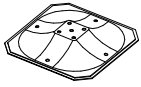
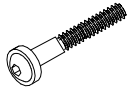


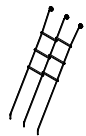
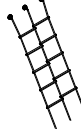
# LAPPSET® DEEP FOUNDATION

# ROPE LADDER

DATE: 30.6.2016

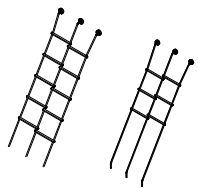
1(1)



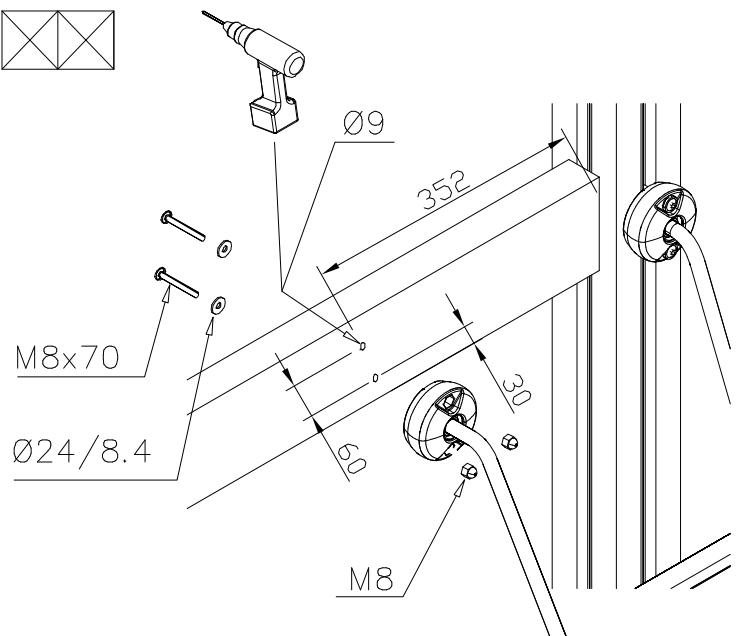
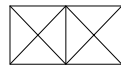
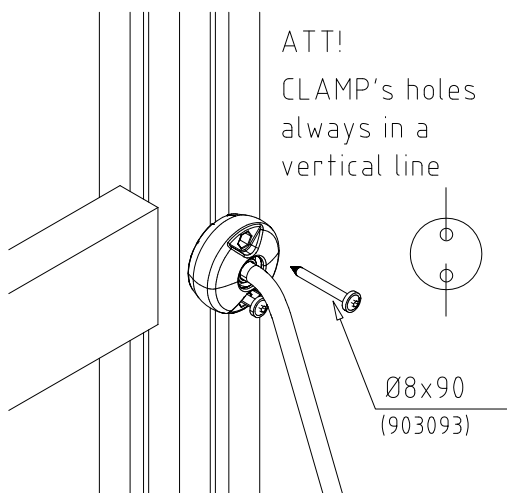
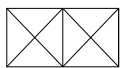
|   |   |     |   |        |     |
|---|---|-----|---|--------|-----|
| ① | 905051  | PCS | ②   | 909519 | PCS |
|   |   | 2   |   |        | 2   |
|   |    |     |    |        |     |
|   | Ø24/8.4   |     | 50x380x380  |        |     |
| ③ | 909867  | PCS | ④   | 909633 | PCS |
|   |   | 2   |   |        | 2   |
|   |    |     |    |        |     |
|   | M8x70   |     | M8  |        |     |
| ⑤ | 903093  | PCS |   |        | PCS |
|   |   | 4   |   |        |     |
|   |    |     |   |        |     |
|   | Ø8x90   |     |   |        |     |
| ○ | 706462  | PCS | ○   | 707393 | PCS |
|   |   | 1   |   |        | 1   |
|   |  |     |  |        |     |
|   | +1470   |     | +1970   |        |     |

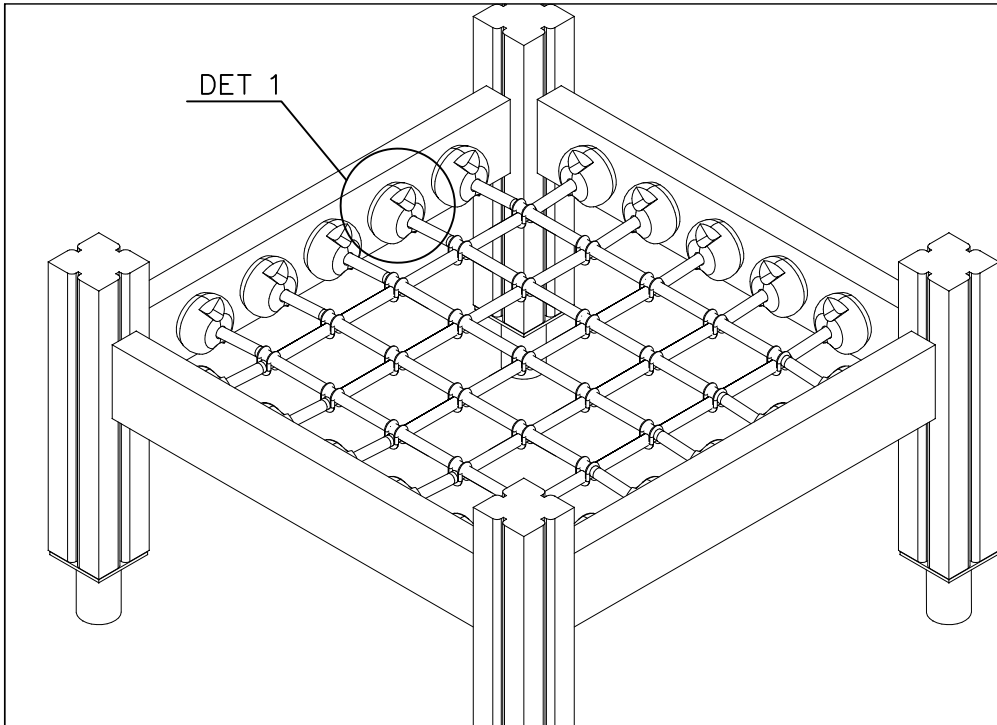
M12  
(909248)

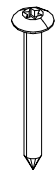

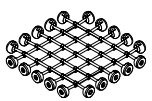
## ROPE LADDER COLOR OPTIONS

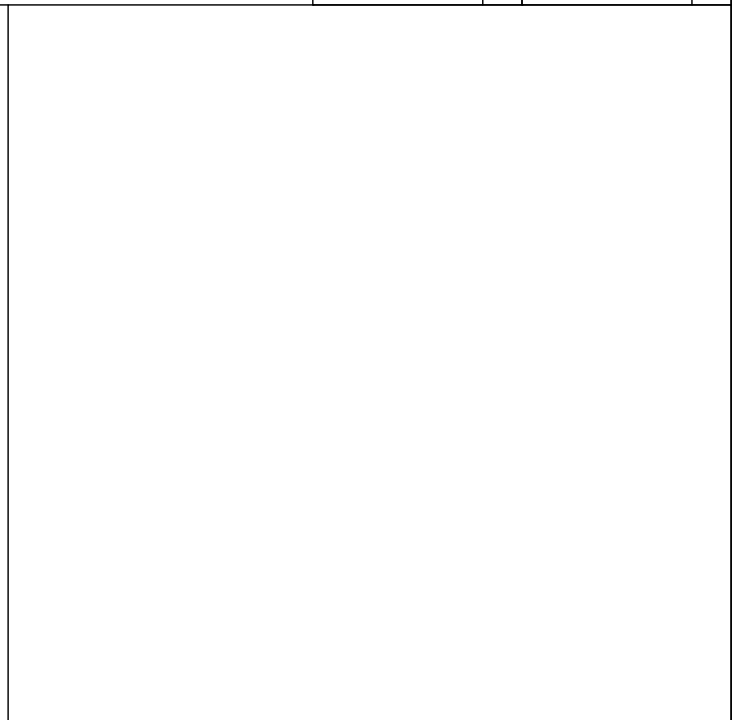
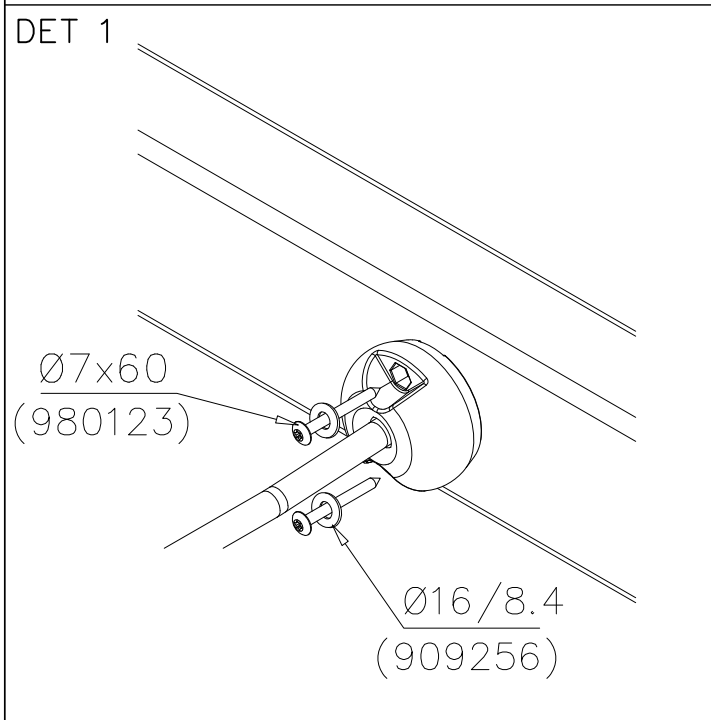
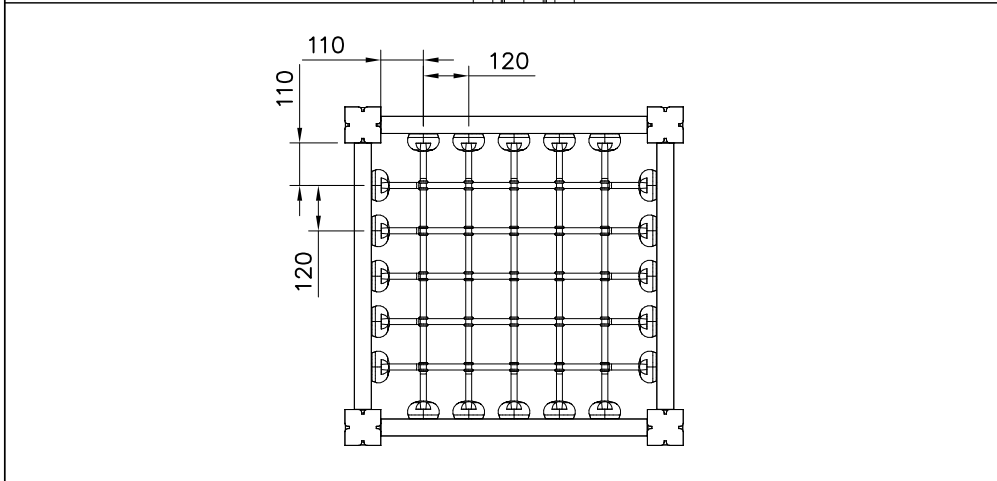


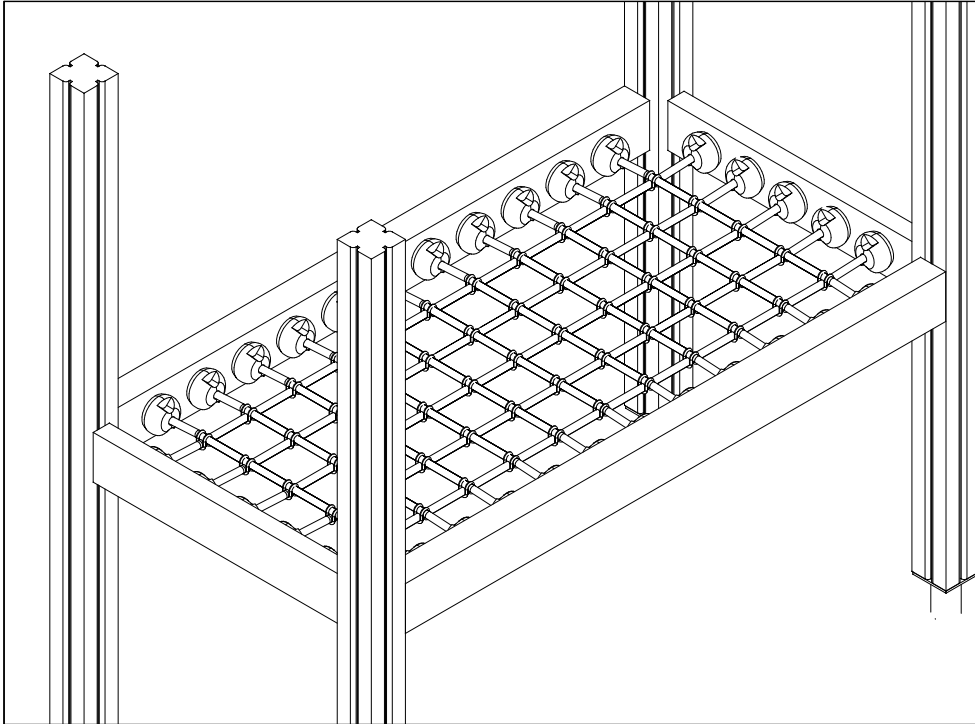
|            |        |
|------------|--------|
| xxxxxx-301 | BLUE   |
| xxxxxx-302 | RED    |
| xxxxxx-303 | BEIGE  |
| xxxxxx-304 | GRAY   |
| xxxxxx-305 | BLACK  |
| xxxxxx-306 | YELLOW |

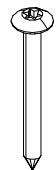

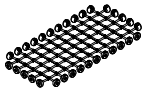


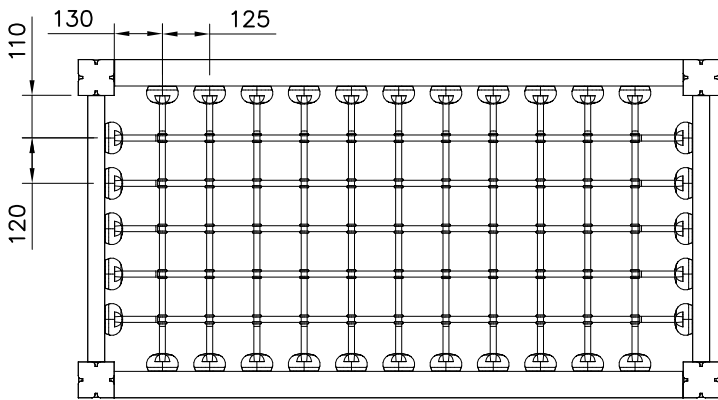


|  |           |  |           |
|--|-----------|--|-----------|
| ① 980123<br><br>Ø7x60 | PCS<br>40 | ② 909256<br><br>Ø16/8.4 | PCS<br>40 |
|  | PCS       |  | PCS       |
|  | PCS       | ○ 707590<br><br>755x755 | PCS       |
|  | PCS       |  | PCS       |
|  | PCS       |  | PCS       |

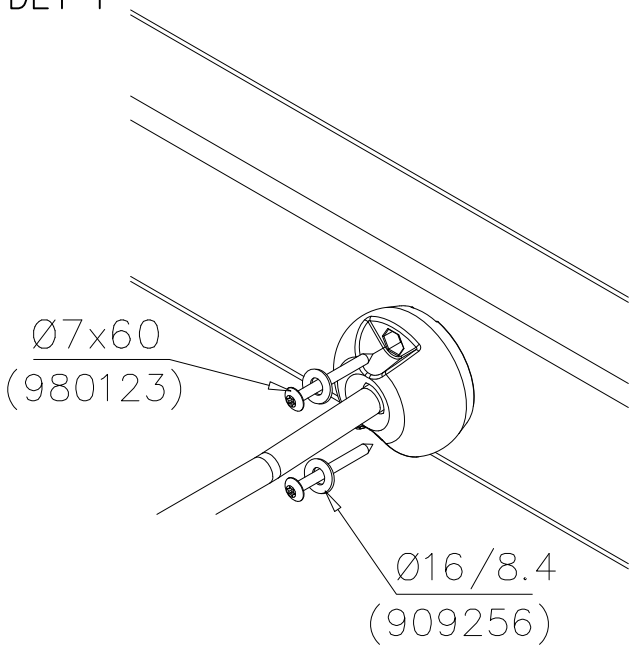


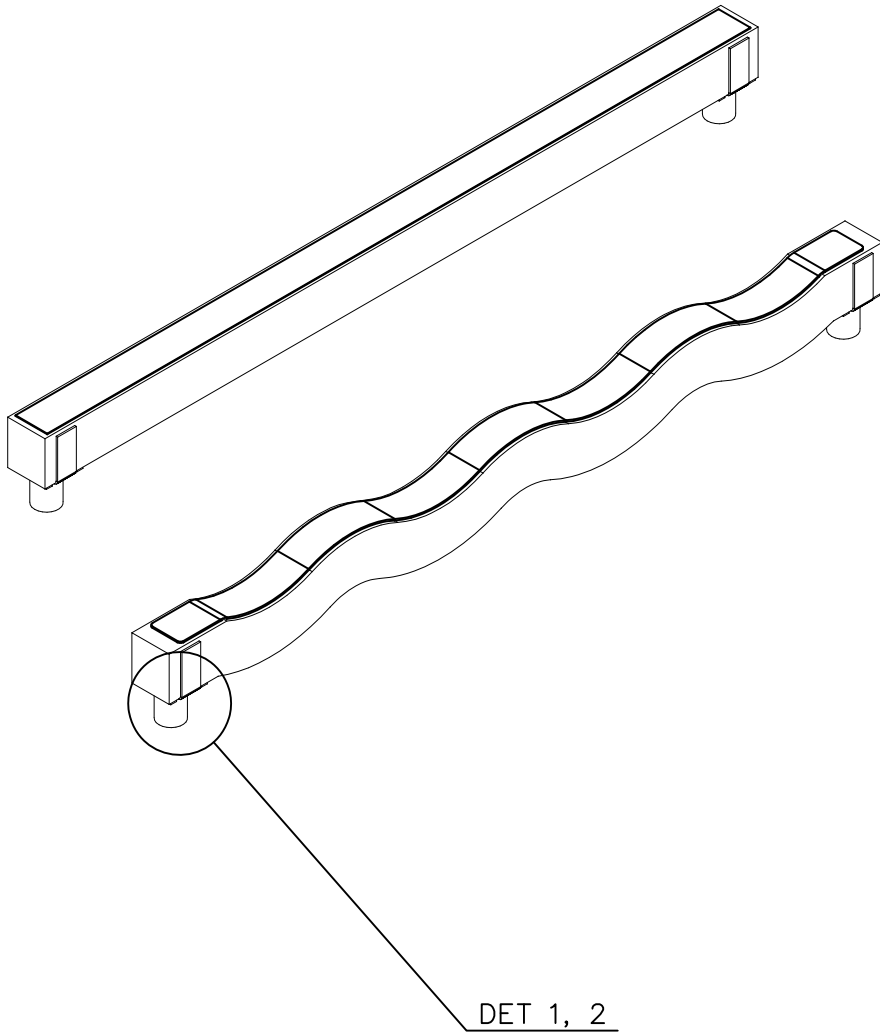




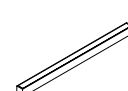
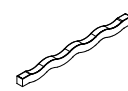
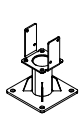

|   |     |   |     |
|---|-----|---|-----|
| ① 980123  | PCS | ② 909256  | PCS |
|  | 64  |  | 64  |
| Ø7x60   |     | Ø16/8.4   |     |
|   | PCS |   | PCS |
|   |     | ○ 707595  | PCS |
|   |     |  |     |
|   |     | 755x1555  |     |
|   | PCS |   | PCS |
|   |     |   |     |
|   | PCS |   | PCS |
|   |     |   |     |



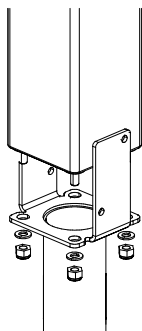
DET 1



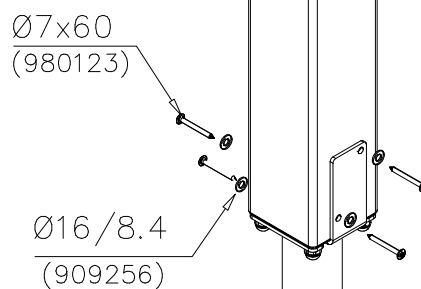


|   |     |   |     |
|---|-----|---|-----|
| ① 980123  | PCS | ② 909256  | PCS |
|    | 8   |    | 8   |
| Ø7x60   |     | Ø16/8.4   |     |
|   | PCS |   | PCS |
|   |     |   |     |
|   | PCS |   | PCS |
|   |     |   |     |
|   | PCS |   | PCS |
|   |     |   |     |
| ○ 705566  | PCS | ○ 705590  | PCS |
|  |     |  |     |
| 140x120x2294  |     | 120x200x2294  |     |
| ○ 905780  | PCS | ○ 905761  | PCS |
|  |     |  |     |
| SURFACE   |     | DEEP  |     |
|   | PCS |   | PCS |
|   |     |   |     |
|   | PCS |   | PCS |
|   |     |   |     |

DET 1



DET 2

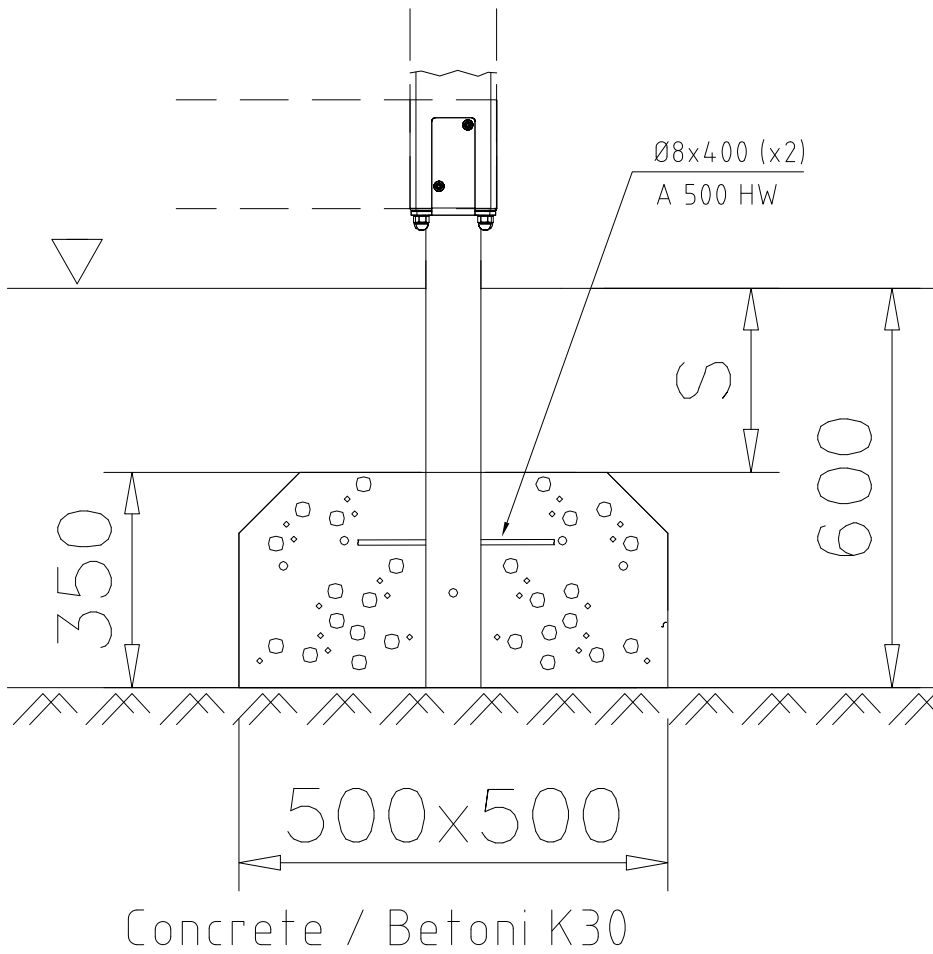




# LAPPSET® CONC. FOUNDATION

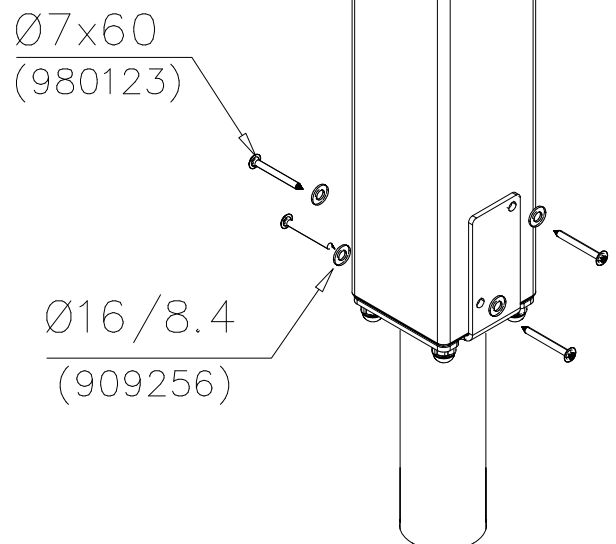
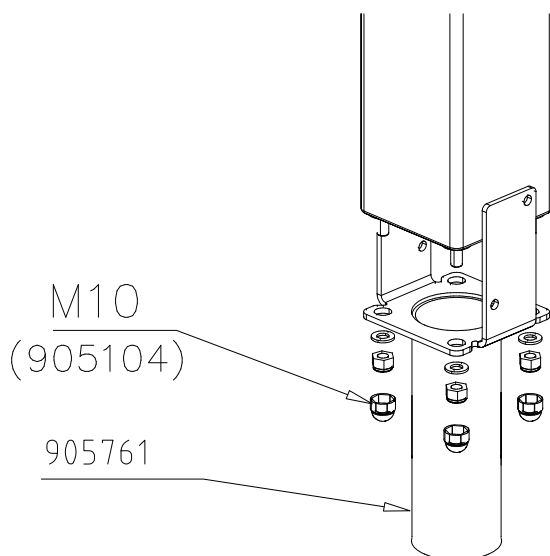
# FOOT 120x120 POST & BEAM

DATE: 21.4.2016

4A



|   |     |  |     |
|---|-----|--|-----|
| ① 905104  | PCS |  | PCS |
|   | 4   |  |     |
|    |     |  |     |
| M10   |     |  |     |
|   | PCS |  | PCS |
|   |     |  |     |
|   | PCS |  | PCS |
|   |     |  |     |
|   | PCS |  | PCS |
|   |     |  |     |
| ○ 905761  | PCS |  | PCS |
|  |     |  |     |
| CONCRETE  |     |  |     |





**Tuotekyltti tulee tuotteen mukana yhdellä seuraavista tavoista:**

**1) Metallinen tuotekyltti ja kiinnitysruuvit**

- Kiinnitä tuotekyltti ruuveilla tolppaan noin 2 metrin korkeuteen kuvan 1 mukaisesti.

**2) Tuotekylttitarra**

- Puhdista maalattu metalli- tai vaneripinta pölystä ja kosteudesta. Liimaa tarra kuvan 2 mukaisesti.
- Huom. Älä kiinnitä tarraa karheapintaiseen laminaattiin tai maalattuun puuhun.

**Vår produktmärkning levereras på ett av följande sätt:**

**1) Produktskylt i metall**

- Fäst skylten med de medföljande skruvarna

**2) Självhäftande produktetikett**

- Rengör den pulverlackerade metallytan eller laminatyten så att den blir fri från smuts och fukt. Fäst etiketten enligt fig. 2.
- Obs! Fäst ej etiketten på detaljer med skrovlig yta eller på målat trä.

**Product label is delivered by one of following ways:**

**1) Metal product label and screws**

- Fasten the label with screws.

**2) Label sticker**

- Clean the painted metal or plywood surface from dirt and moisture. Fasten the sticker as shown in the figure 2.
- Note. Do not attach the sticker to rough surfaced laminate or painted wood.

**La plaque d'informations produit est livrée sous l'une de ces 3 formes :**

**1) Plaque métallique et vis**

- Fixez la plaque à l'aide des vis.

**2) Etiquette autocollante**

- Avant de coller l'étiquette, nettoyez le composant métallique peint ou la plaque de contreplaqué, de toute saleté. La surface doit être sèche (voir image 2).
- Attention, ne pas coller l'étiquette sur une surface lamellé-collée irrégulière ou sur du bois peint.

**Die Auslieferung des Produktaufklebers erfolgt auf eine dieser Arten:**

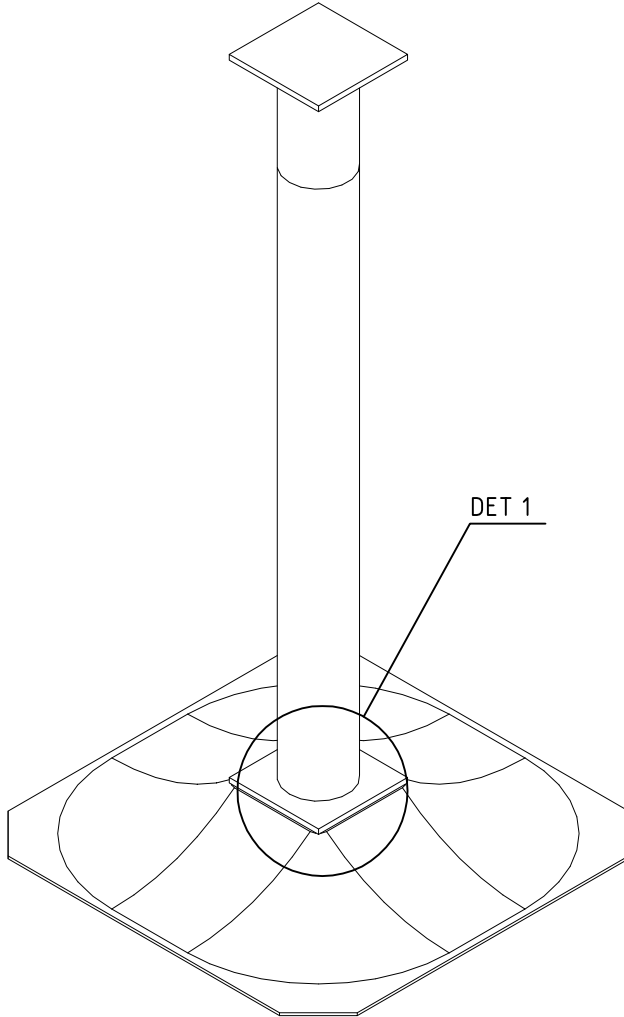
**1) Produkt-Schild aus Metall incl. Schrauben**


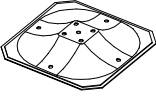


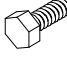
- Die Befestigung des Schildes erfolgt mittels der Schrauben.

**2) Aufkleber**

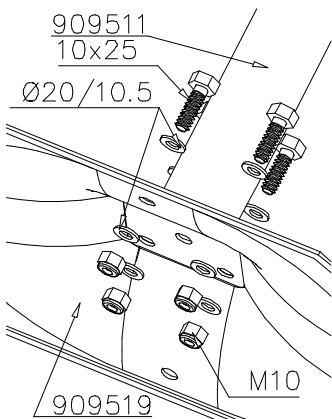
- Entfernen Sie zunächst Schmutz und Feuchtigkeit vom lackierten Metall bzw. von der Holzoberfläche und bringen Sie den Aufkleber wie im Bild oben rechts beschrieben auf den gesäuberten Untergrund auf.
- Beachten Sie: Bringen Sie den Aufkleber nicht auf raues laminiertes oder lackiertes Holz an.





|   |   |     |   |   |     |
|---|---|-----|---|---|-----|
| ① | 909511  | PCS | ② | 909519  | PCS |
|   |  | 1   |   |  | 1   |
| ③ | 909637  | PCS | ④ | 909638  | PCS |
|   |  | 4   |   |  | 8   |
|   | M10   |     |   | Ø20/10.5  |     |
| ⑤ | 909639  | PCS |   |   | PCS |
|   |  | 4   |   |   |     |
|   | M10x25  |     |   |   |     |
|   |   | PCS |   |   | PCS |
|   |   |     |   |   |     |
|   |   | PCS |   |   | PCS |
|   |   |     |   |   |     |
|   |   | PCS |   |   | PCS |
|   |   |     |   |   |     |
|   |   | PCS |   |   | PCS |
|   |   |     |   |   |     |
|   |   | PCS |   |   | PCS |
|   |   |     |   |   |     |

DET 1





**LAPPSET®**  
**BETON FOUNDATION**

**FOOT**

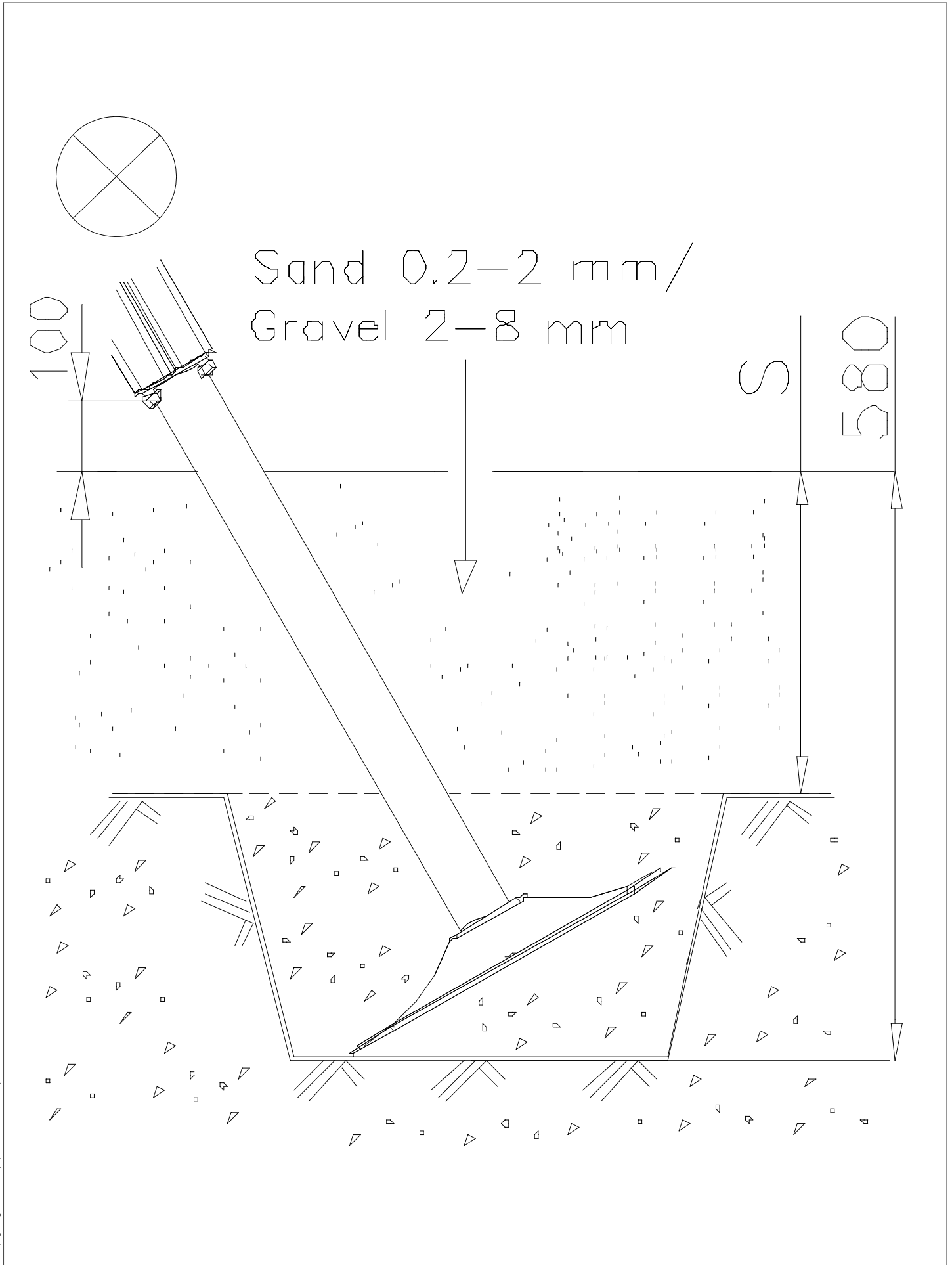
DATE: 27.10.2015

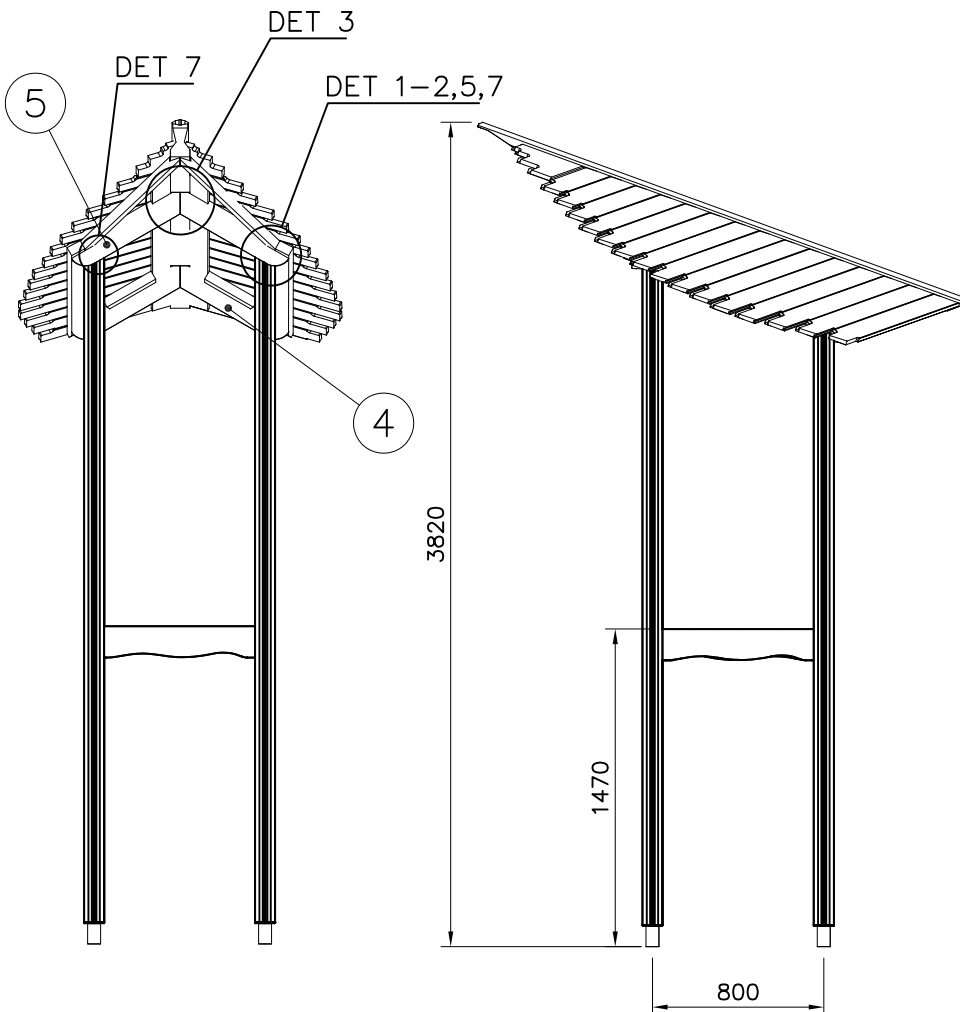
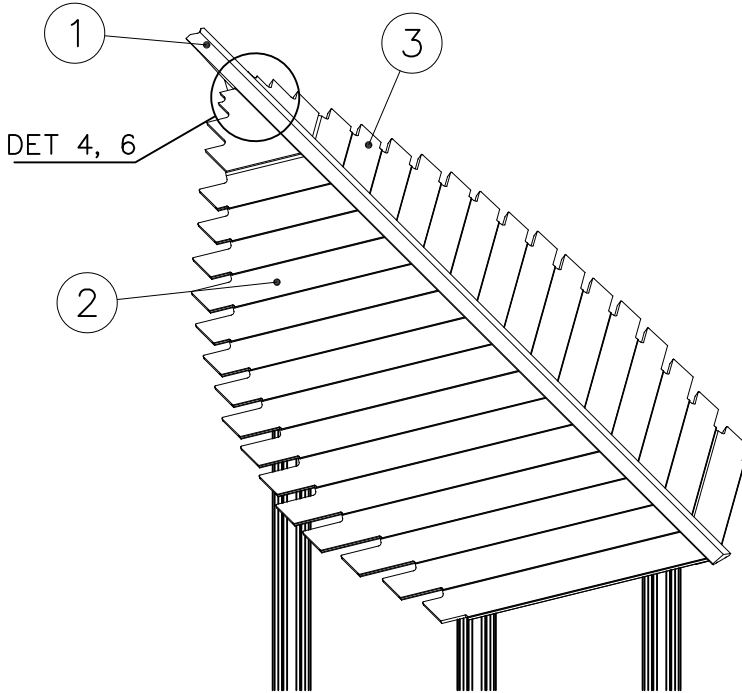
**1(1)**


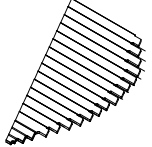

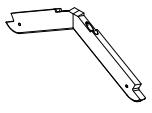
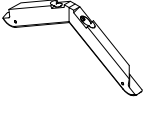
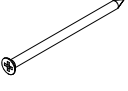



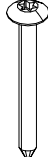
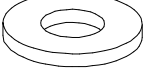
|  |     |  |     |
|--|-----|--|-----|
| ② 905104   | PCS |  | PCS |
|  | 4   |  |     |
| <br>M10 | PCS |  | PCS |
|  |     |  |     |



905104





|   |     |   |     |
|---|-----|---|-----|
| ① 705190  | PCS | ② 705199  | PCS |
|    | 1   |    | 1   |
| L=2400  |     |   |     |
| ③ 705272  | PCS | ④ 705528  | PCS |
|    | 1   |    | 1   |
| ⑤ 705529  | PCS | ⑥ 980104  | PCS |
|    | 1   |    | 4   |
|   |     | Ø5x90   |     |
| ⑦ 905087  | PCS | ⑧ 909137  | PCS |
|  | 4   |  | 4   |
|   |     | M12x160   |     |
| ⑨ 909248  | PCS | ⑩ 980128  | PCS |
|  | 4   |  | 6   |
| M12   |     | Ø7x40   |     |
| ⑪ 980154  | PCS |   | PCS |
|  | 4   |   |     |
| Ø24/13  |     |   |     |
|   | PCS |   | PCS |
|   |     |   |     |
|   | PCS |   | PCS |
|   |     |   |     |

|  |  |  |
|--|--|--|
| <p>DET 1</p>   | <p>DET 2</p>   | <p>DET 3</p> <p>NOTE<br/>Center boom grooves accurately to the roof truss. Leave no gaps!<br/>HUOM<br/>Asenna puomi keskelle kattotuolia. Älä jätä rakoja!</p> |
| <p>DET 4</p> <p>NOTE:<br/>Head of the element to the end of groove.<br/>HUOM:<br/>Elementin pää uran päähän.</p> | <p>DET 5</p> <p>NOTE:<br/>Install booms in to the cut of the roof truss. Leave no gaps!<br/>HUOM:<br/>Asenna puomit kattotuolin loveen. Älä jätä rakoja!</p> | <p>DET 6</p>   |
| <p>DET 7</p>   |  |  |