

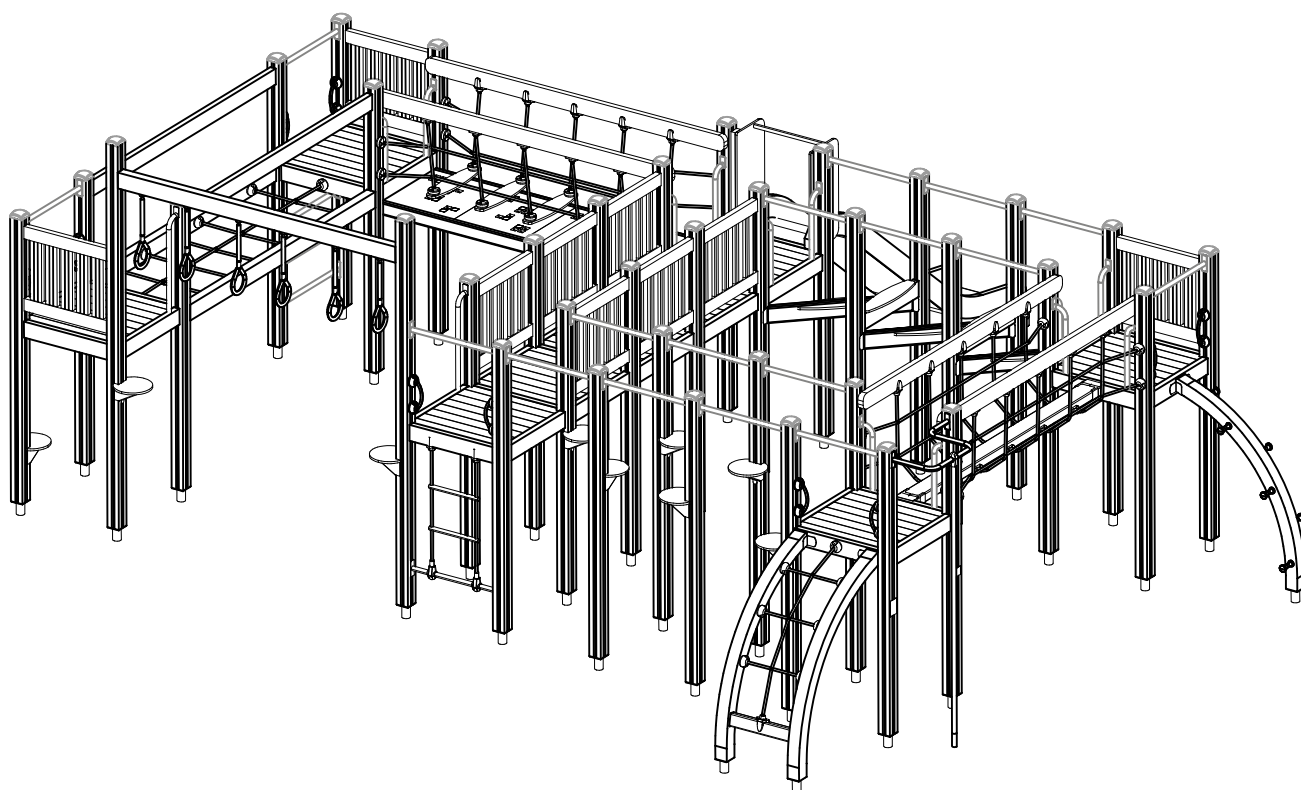
LAPPSET®

FINNO



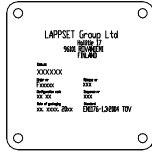
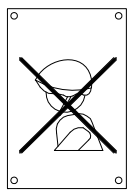

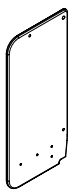
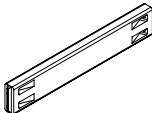

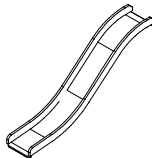
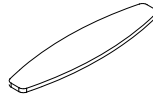
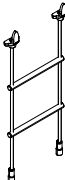
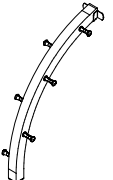
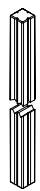

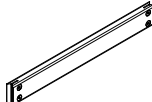
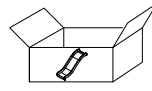
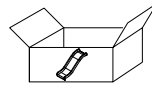
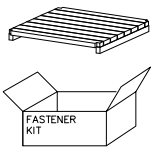
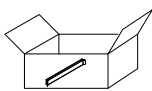
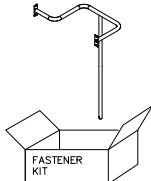
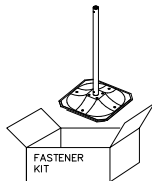
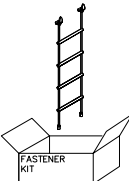
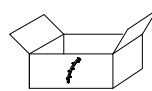
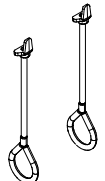
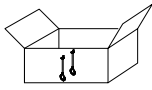
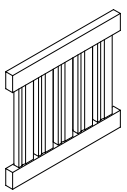
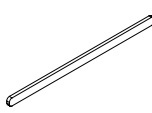


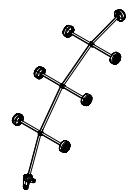
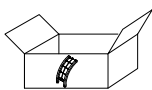
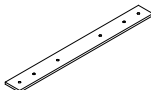
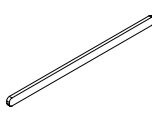
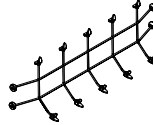
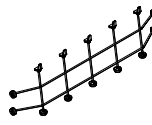
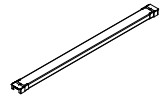
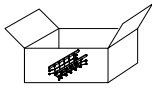

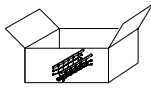

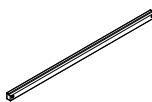
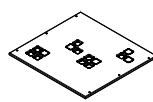
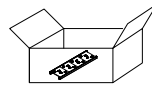
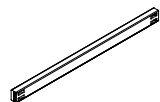
ASENNUSOHJE
MONTERINGSANSVISNING
INSTALLATION INSTRUCTION
AUFBAUANLEITUNG
NOTICE D'INSTALLATION

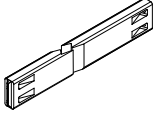
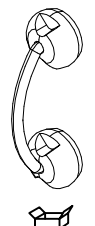
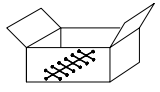
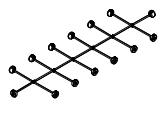
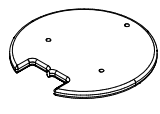
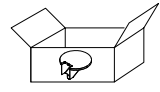
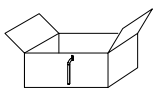
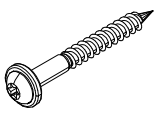
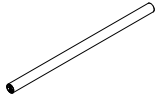



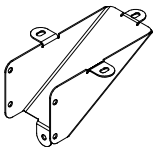
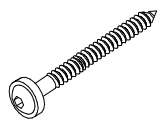
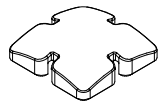
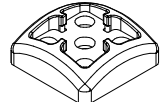
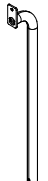
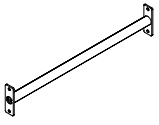
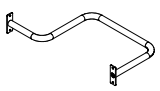

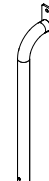
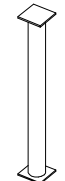
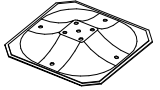
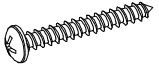
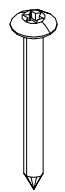
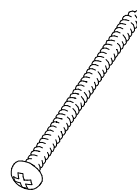
DATE: 17.11.2020

Q15190



DATE: 11.11.2020

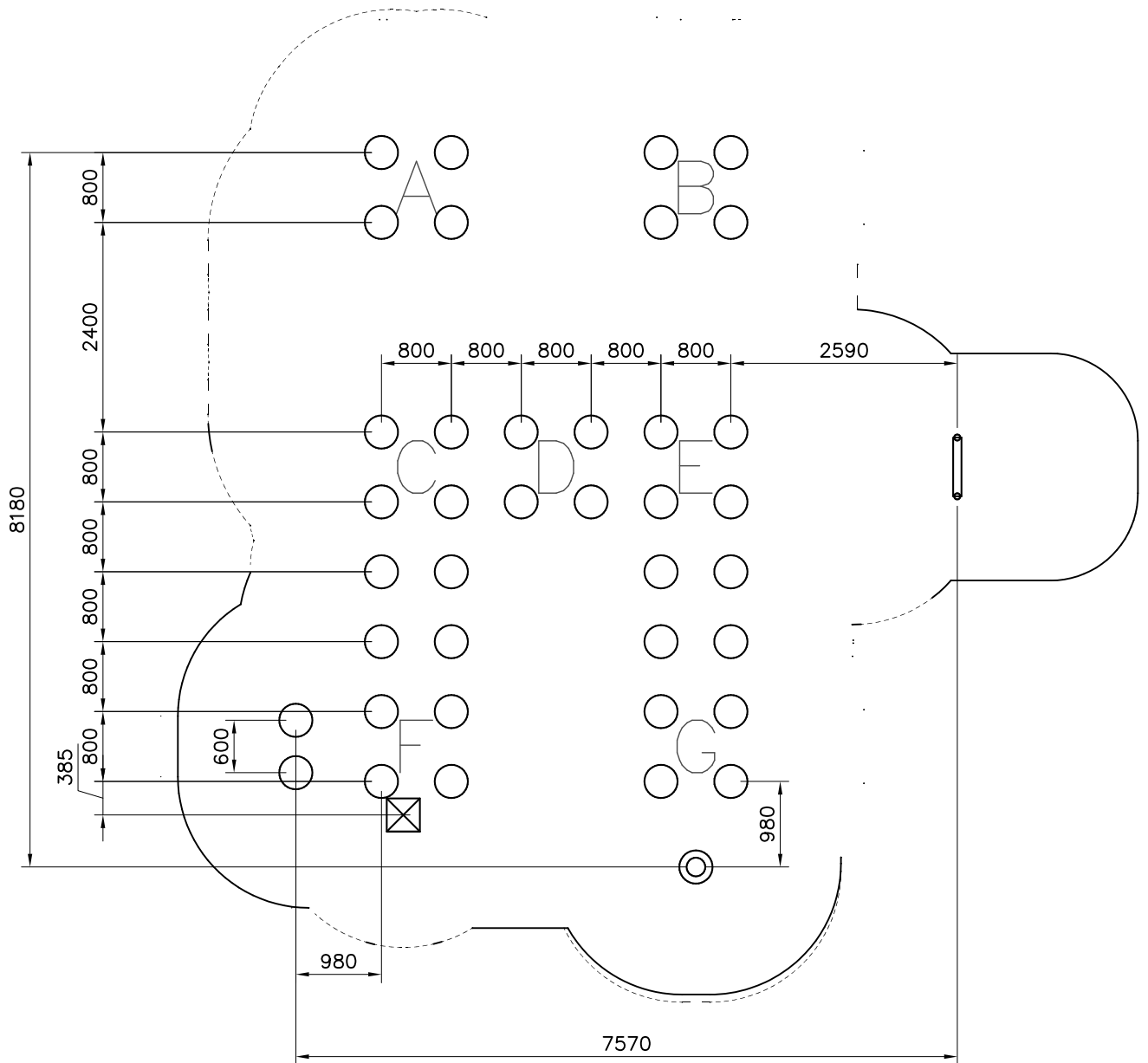
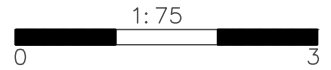
008986  750x750	PCS 9	701665  45x95x555	PCS 1	702286  65x65	PCS 1	702339  118x78	PCS 1	704417-603  93x93x2900	PCS 2	706371-705  15x345x750	PCS 2
706439-603  L 704	PCS 34	706443  32x45x702	PCS 18	706450-603  600x381x2685	PCS 1	706453  15x145x600	PCS 10	706473-305  +1470	PCS 1	706475-603  1387x1020x325	PCS 1
706484-603  93x93x2150	PCS 34	706505  35x70x730	PCS 2	706510-603  45x120x1030	PCS 3	706531  706533	PCS 39	706533  706535	PCS 1	706535  FASTENER KIT	PCS 9
706538 	PCS 3	706541  FASTENER KIT	PCS 1	706542  FASTENER KIT	PCS 1	706546  FASTENER KIT	PCS 1	706607 	PCS 1	706735 	PCS 3
706742 	PCS 3	706746-606  45x640x701	PCS 9	706748  95x1005x1365	PCS 9	706871-603  95x1005x1365	PCS 1	706872-603  1455x505	PCS 1	706873-305 	PCS 1
706877 	PCS 1	707133  10x80x745	PCS 1	707255-606  45x120x2480	PCS 4	707259-305  2340x800	PCS 2	707260-305  2375x600	PCS 2	707262  70x145x2235	PCS 1
707268  	PCS 1	707270  	PCS 1	707271-603  70x95x2480	PCS 2	707272-705  15x630x590	PCS 4	707284  70x120x2304	PCS 1	707294-603  70x120x2304	PCS 3

707295-603	PCS 2		L 2304	707315	PCS 10		707527	PCS 1		707530-305	PCS 1		707696-704	PCS 10		707729	PCS 10			
707732	PCS 14		900240	PCS 80		Ø8x70	901868	PCS 3		Ø34x598	901879	PCS 2		901902	PCS 6		901916	PCS 1		
902086	PCS 10		148x172x254	902439	PCS 1	Left Hand	902474	PCS 1	Right Hand	903093	PCS 156		Ø8x90	905138	PCS 36		GRAY	905196	PCS 36	
907688-216	PCS 2		907694-216	PCS 21		40x120x704	907695-216	PCS 1		907698-216	PCS 1		L 2054	907701-216	PCS 12		909511	PCS 39		
909519	PCS 40		50x380x380	980114	PCS 8		Ø4x20	980123	PCS 20		Ø7x60	980131	PCS 144		Ø6x60					
	PCS				PCS				PCS				PCS							
	PCS				PCS				PCS				PCS							

EN/AS Impact Area 85.9 m²

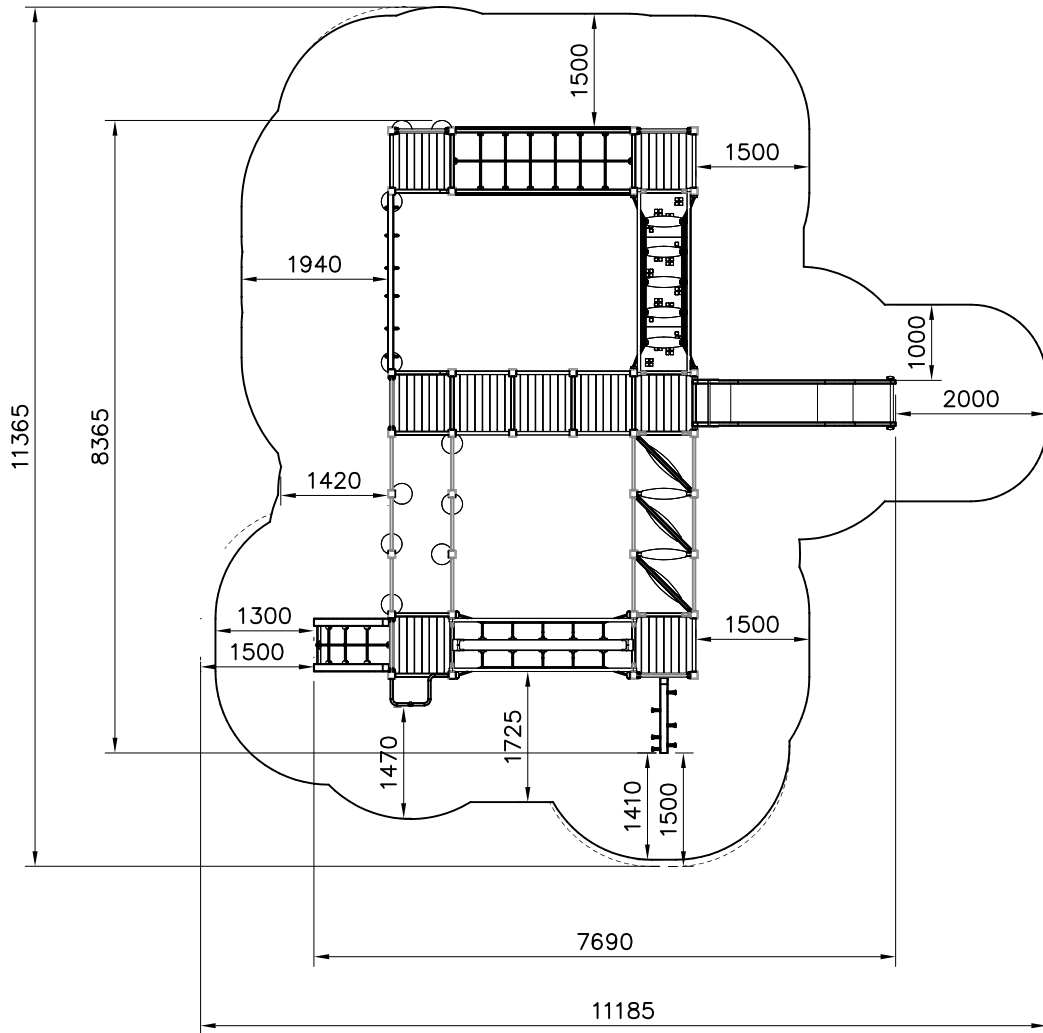
Falling Space 86.9 m²

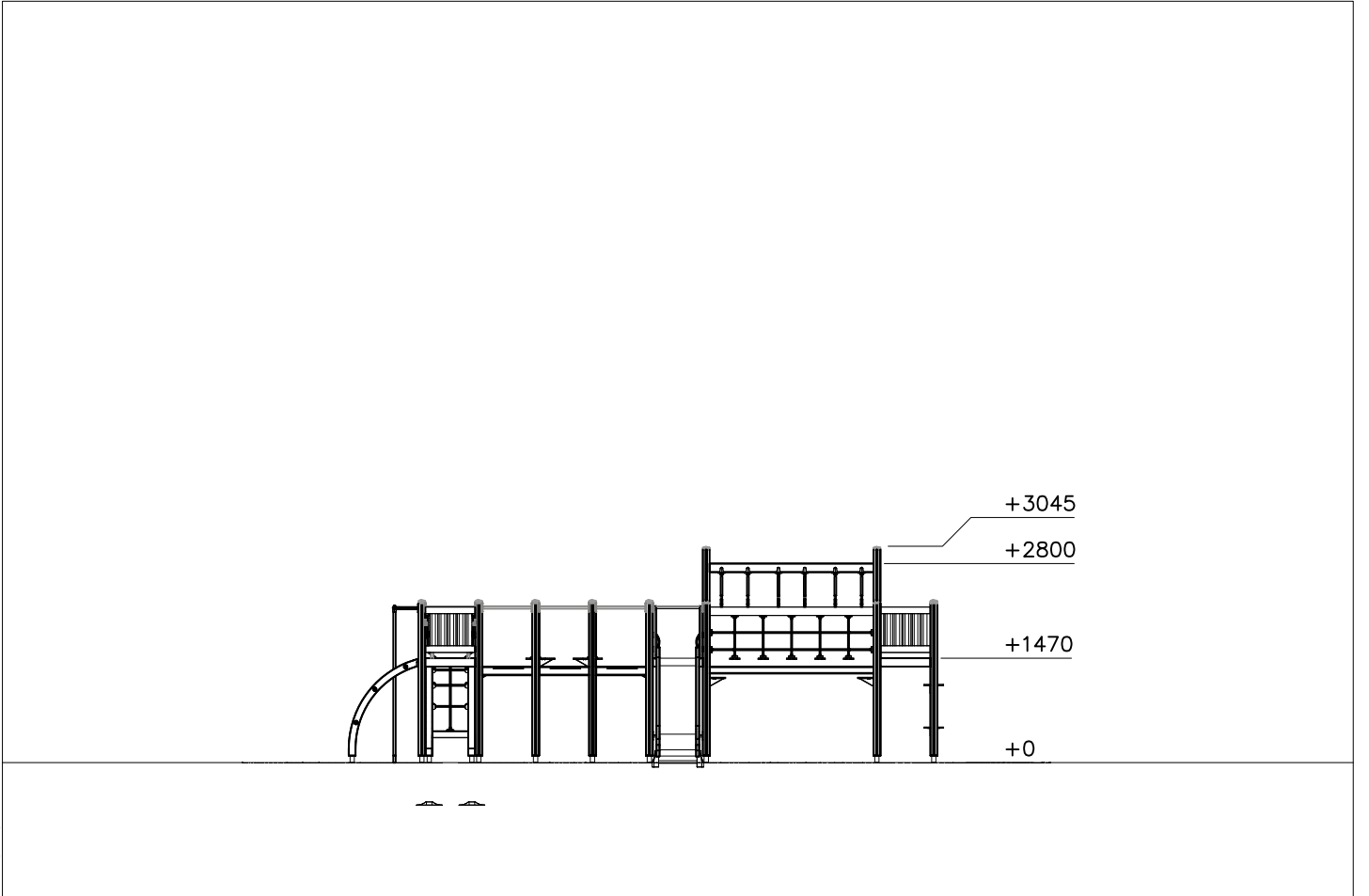
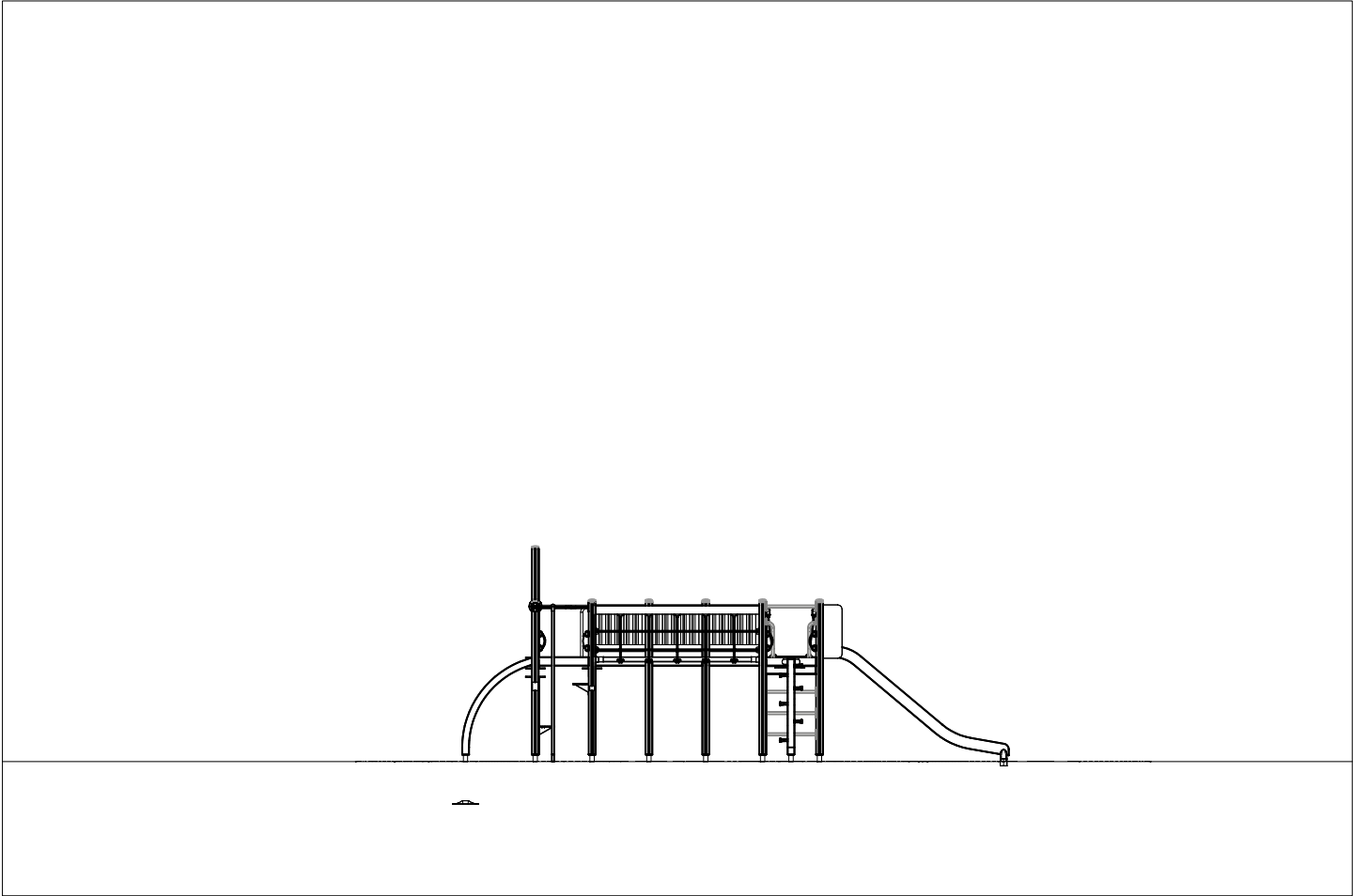
Max Falling Height 1470 mm

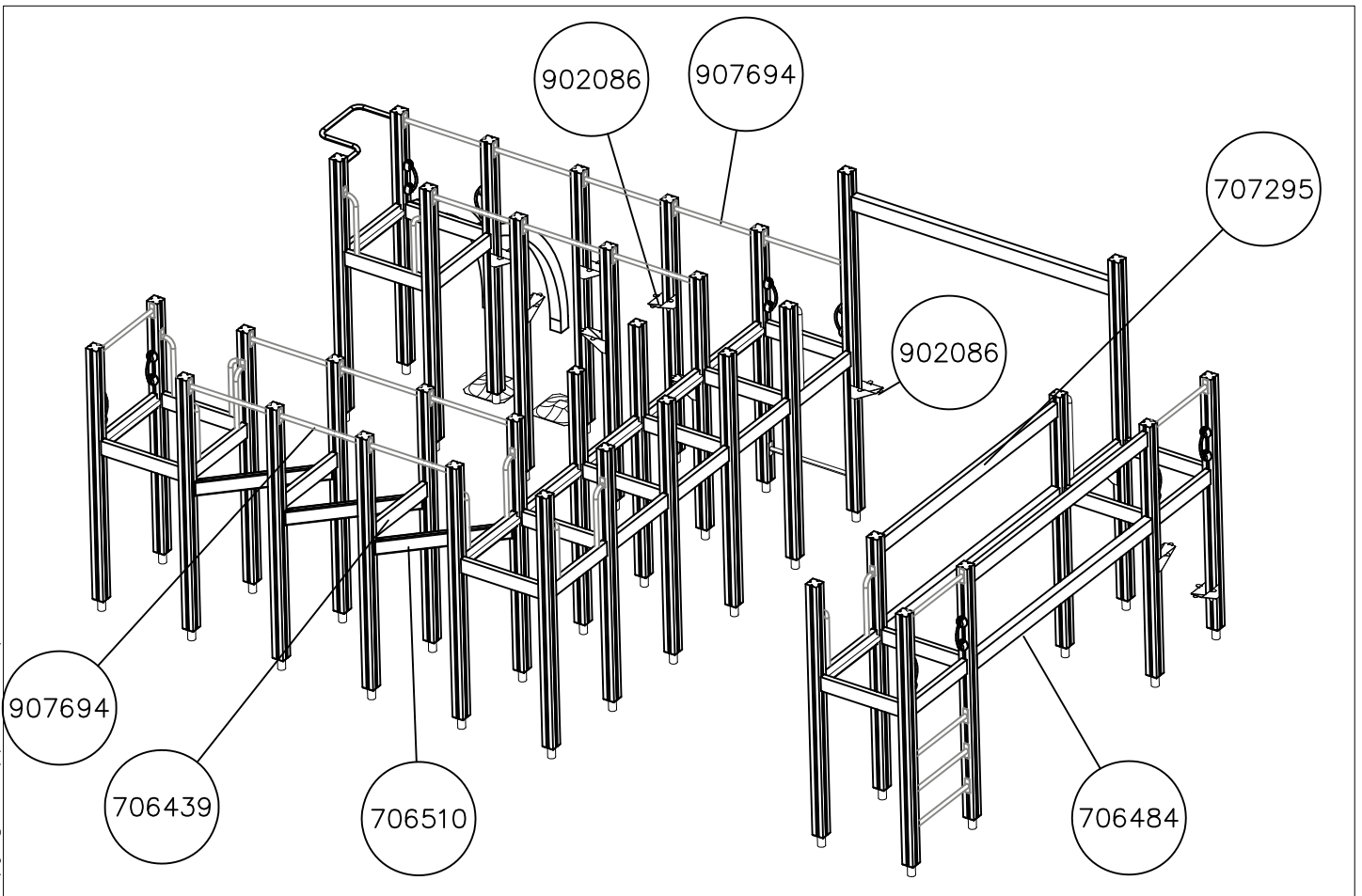
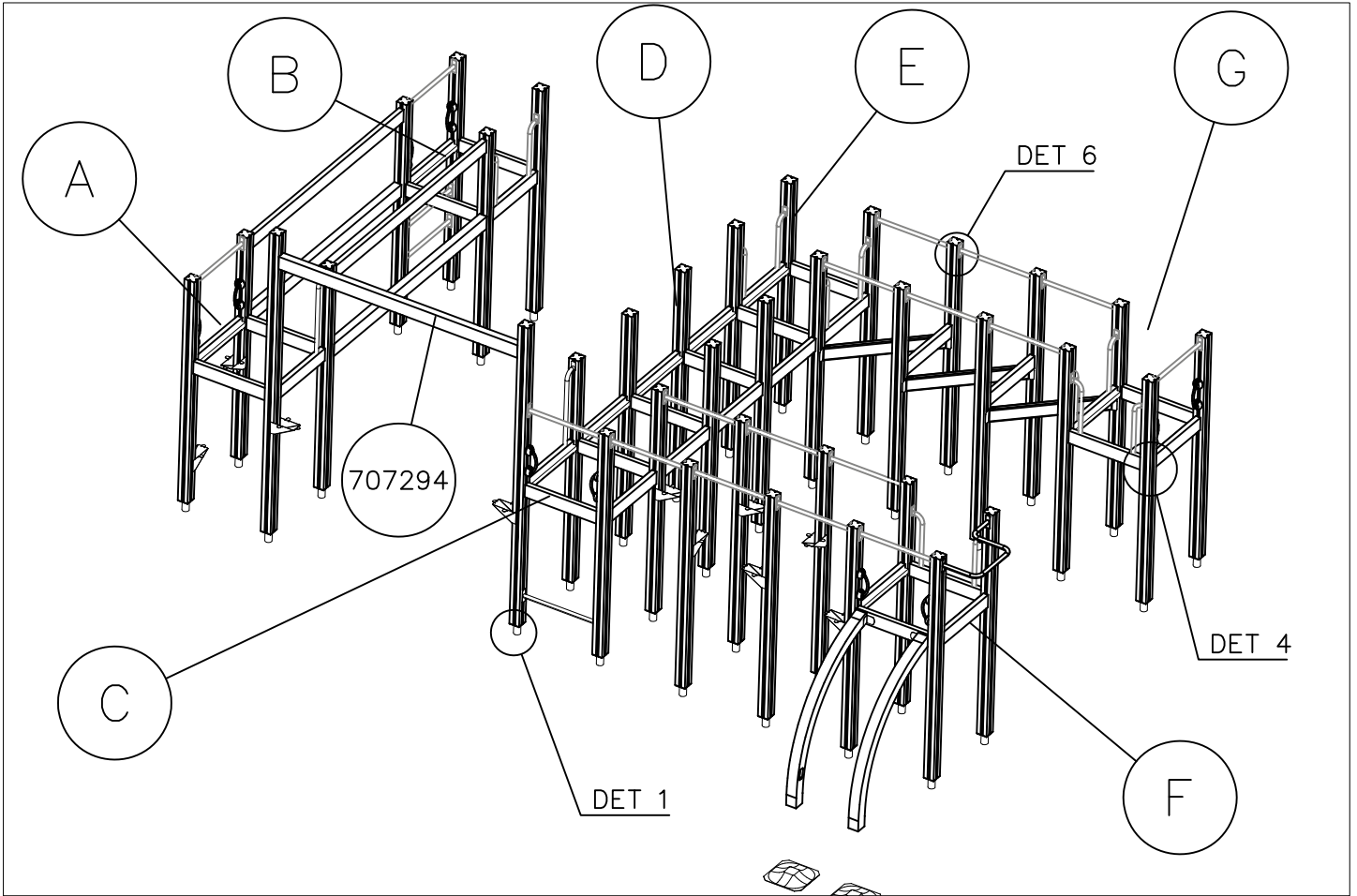


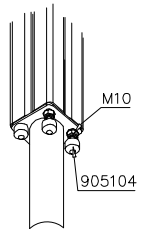
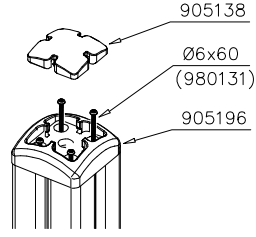
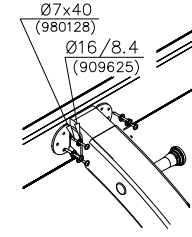
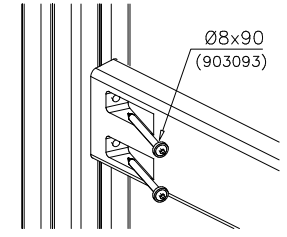
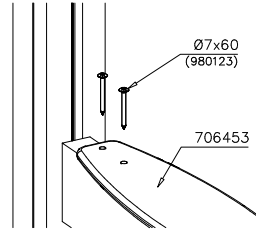
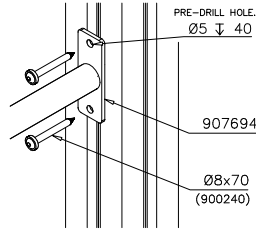
<p>M10 905104</p>	<p>100 S 600</p>	<p>S 600</p>
<p>Ø7x40 901879 Hox! Slide sheet gap Liukupelti rako.</p>	<p>M12x40 Ø24/13</p>	<p>100 S 600</p>

- EN/AS Impact Area 85.9 m²
- - - - Falling Space 86.9 m²
- Max Falling Height 1470 mm

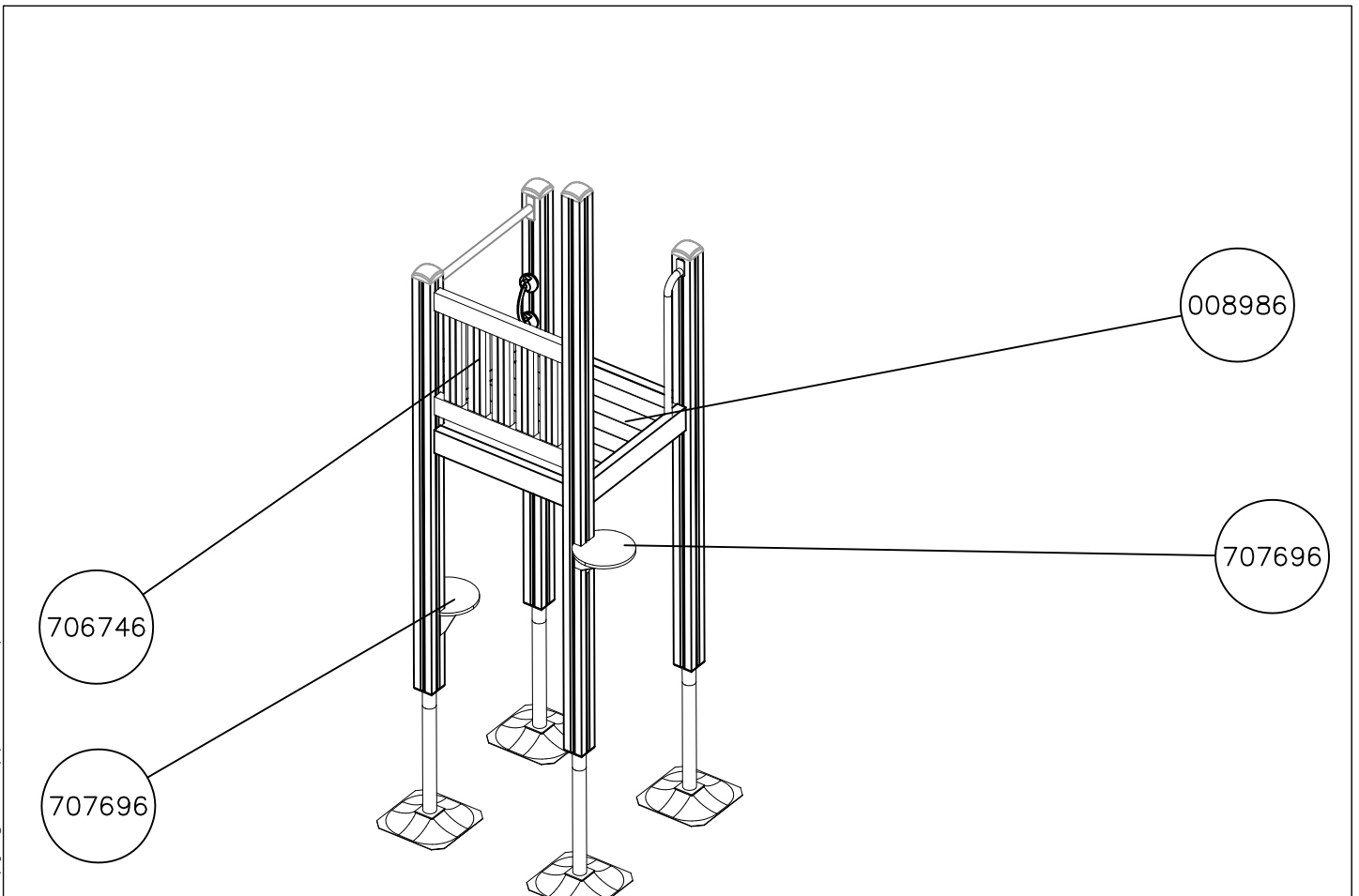
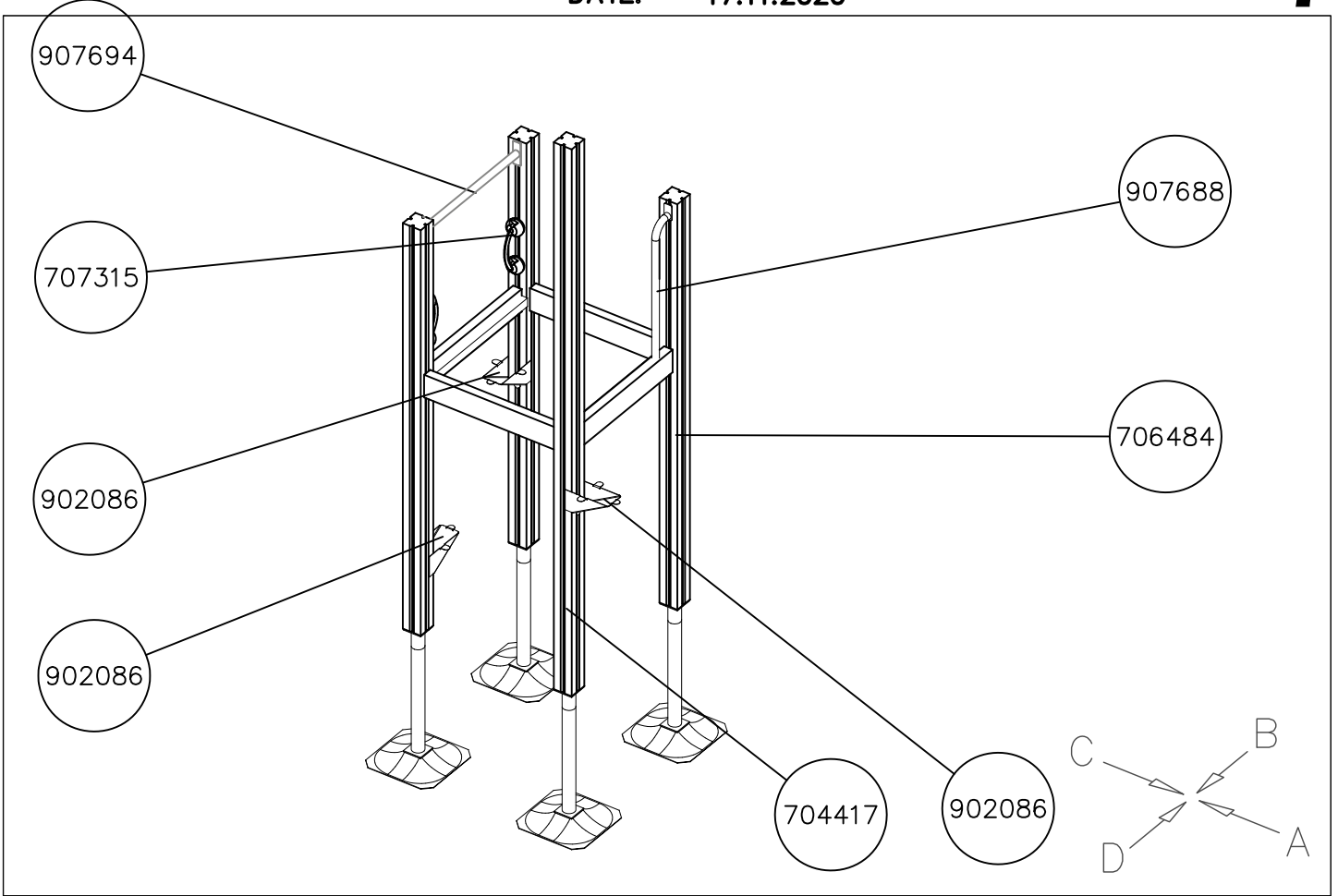






<p>DET 1</p> 	<p>DET 2</p> 	<p>DET 3</p> 	<p>DET 4</p> 
<p>DET 5</p> 	<p>DET 6</p> 	<p>DET 7</p>	<p>DET 8</p>
<p>DET 9</p>	<p>DET 10</p>		

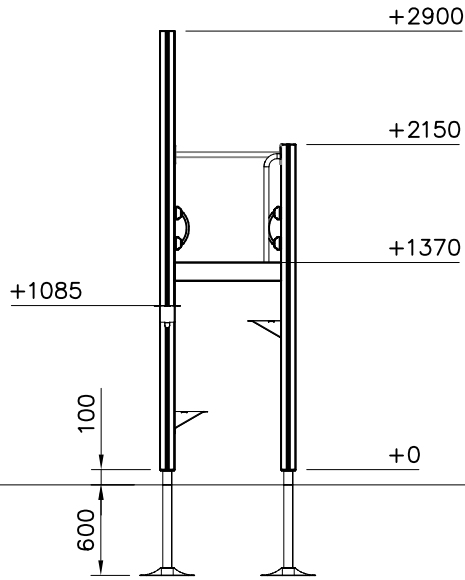
DATE: 17.11.2020



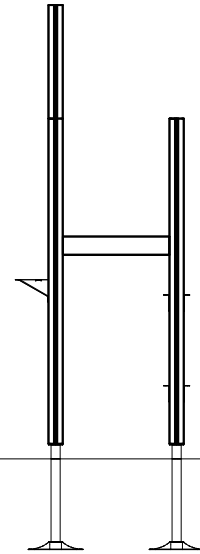
DATE: 17.11.2020

1:50

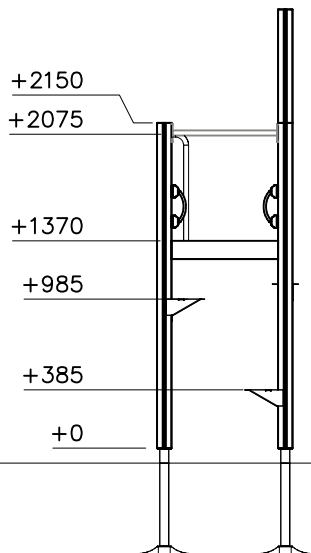
A



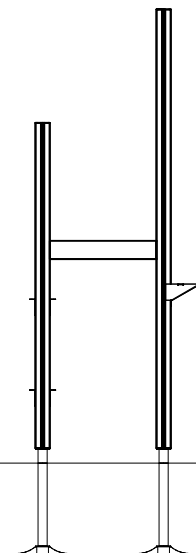
B

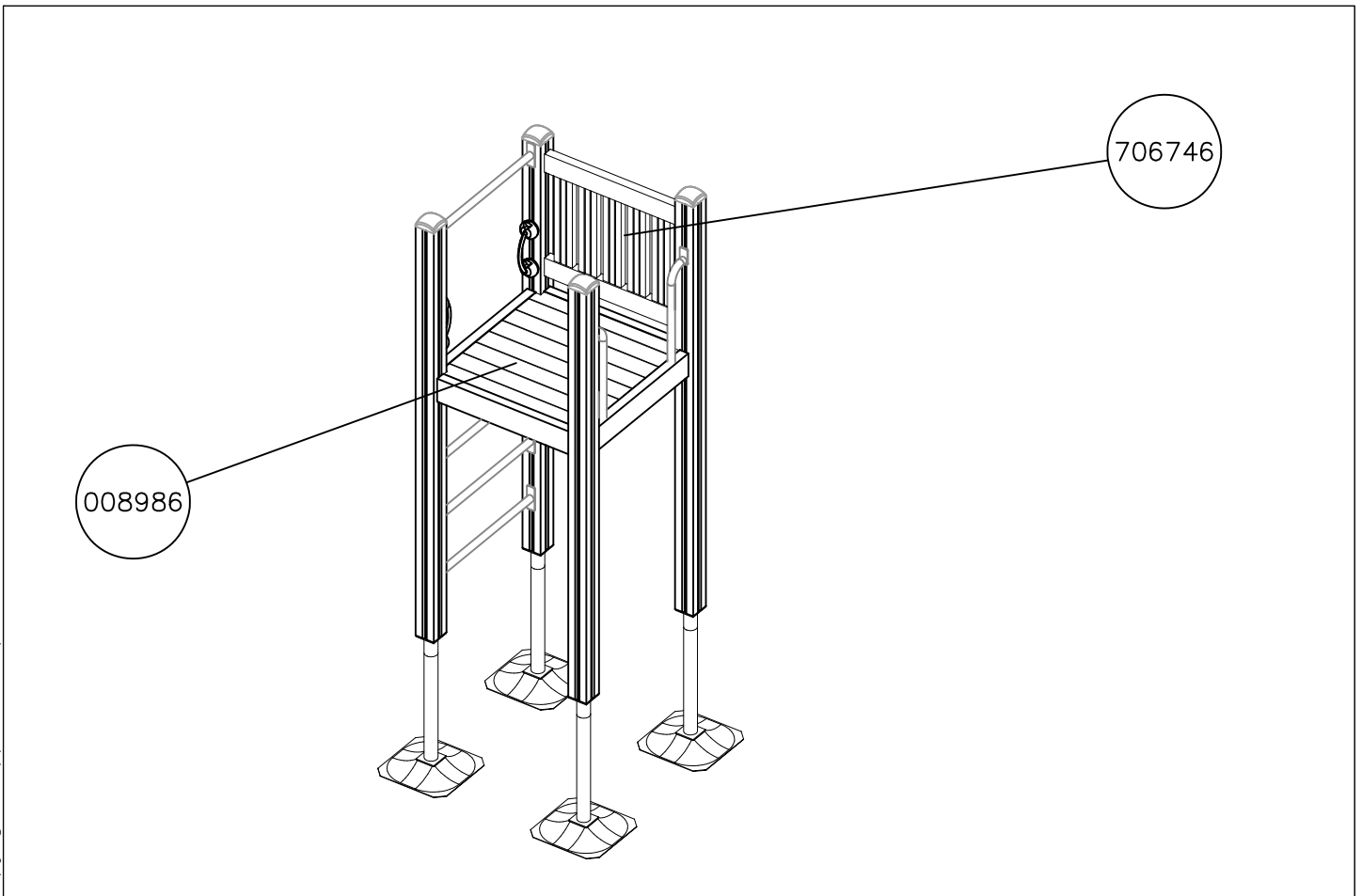
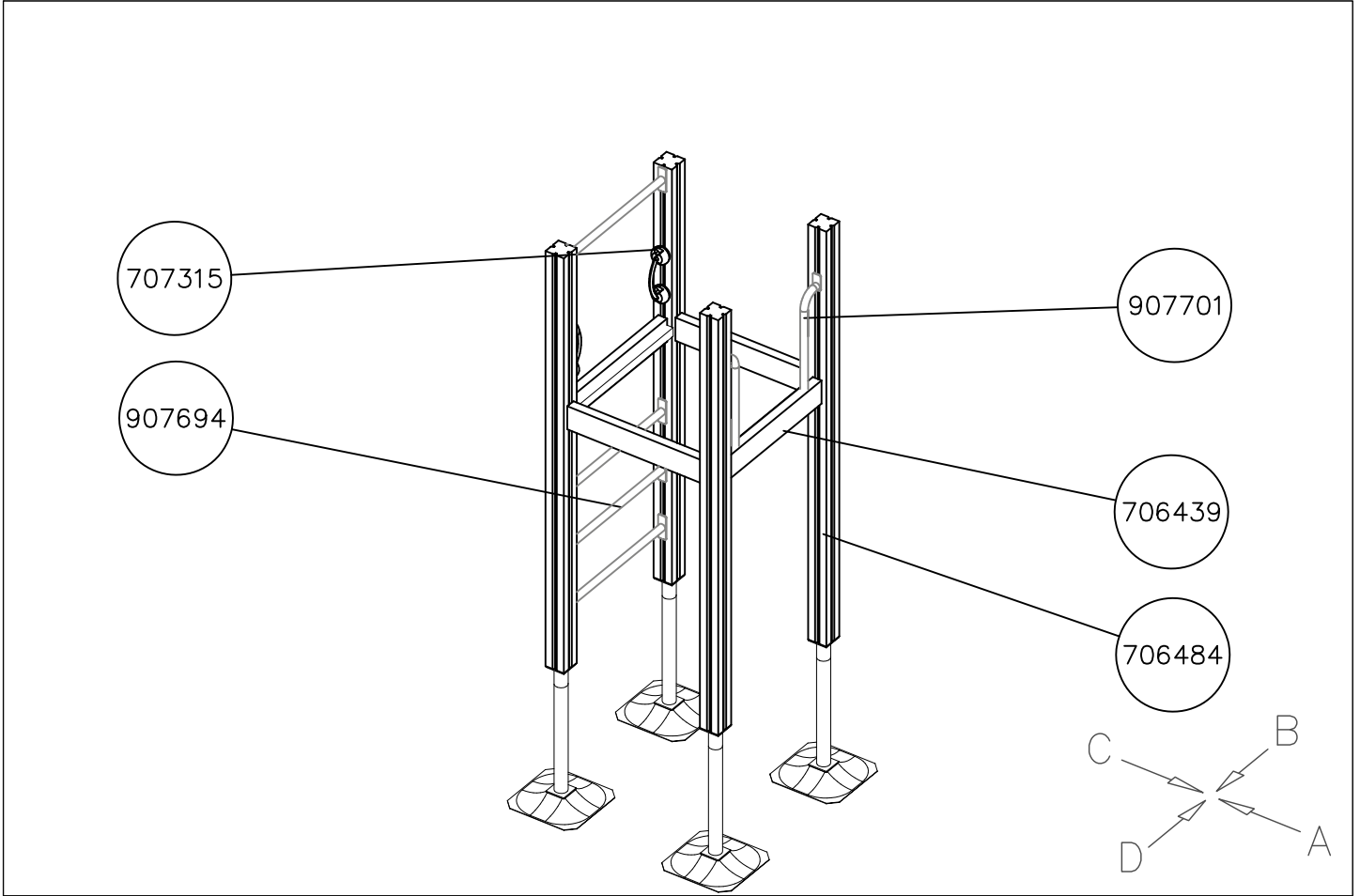


C



D

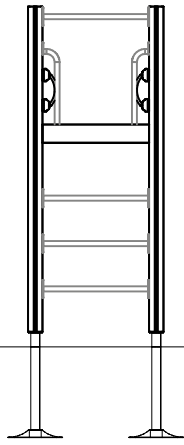




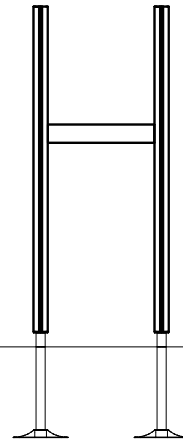
DATE: 17.11.2020

1:50

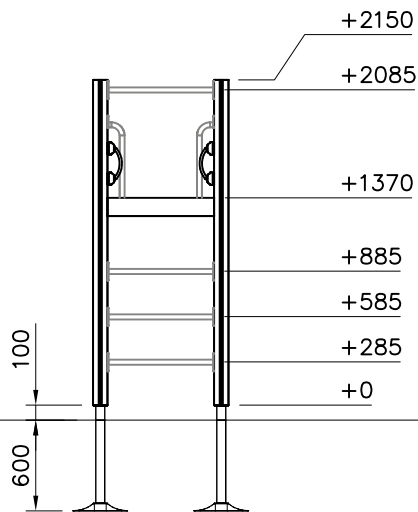
A



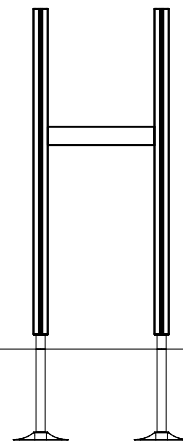
B

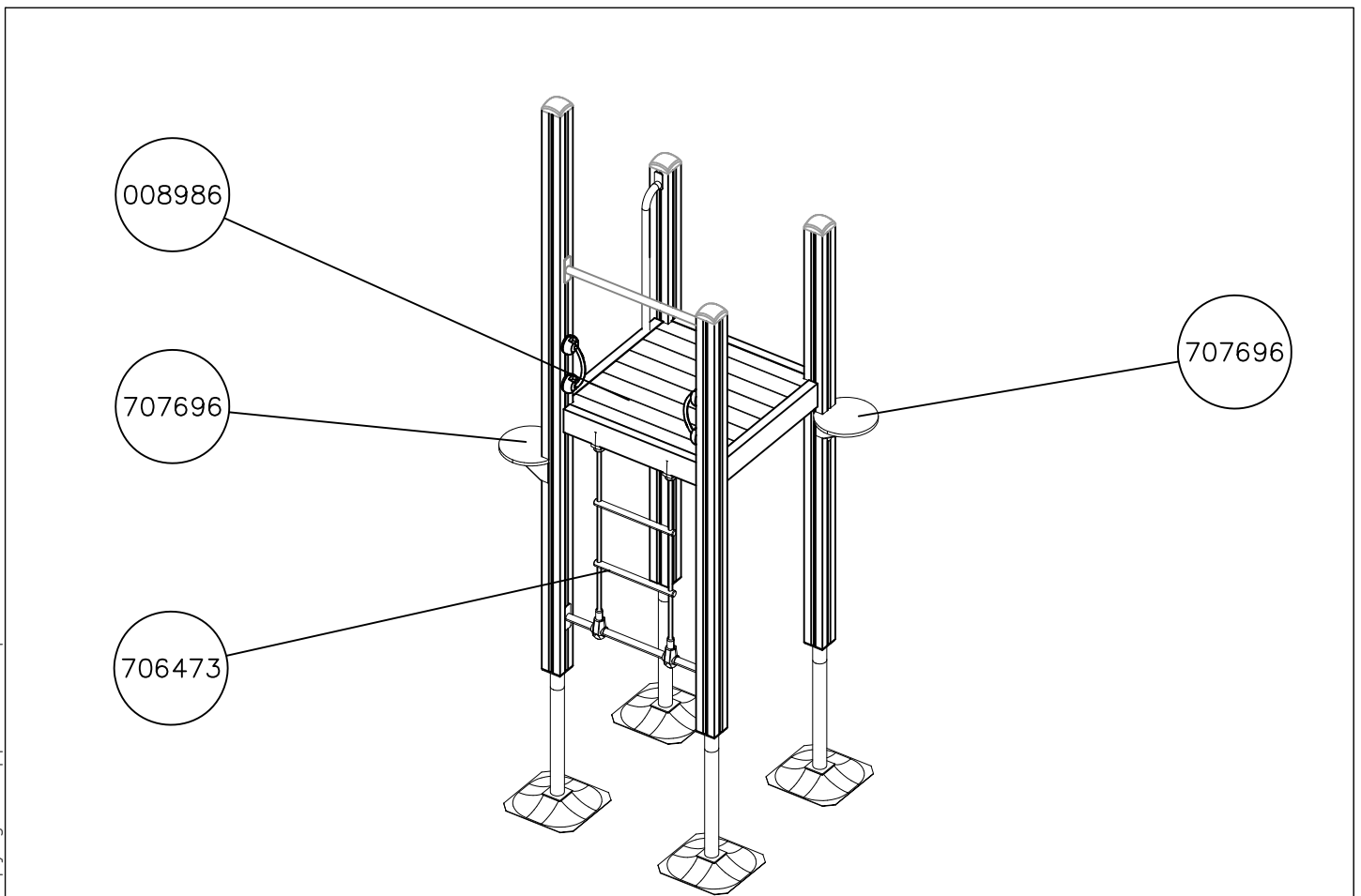
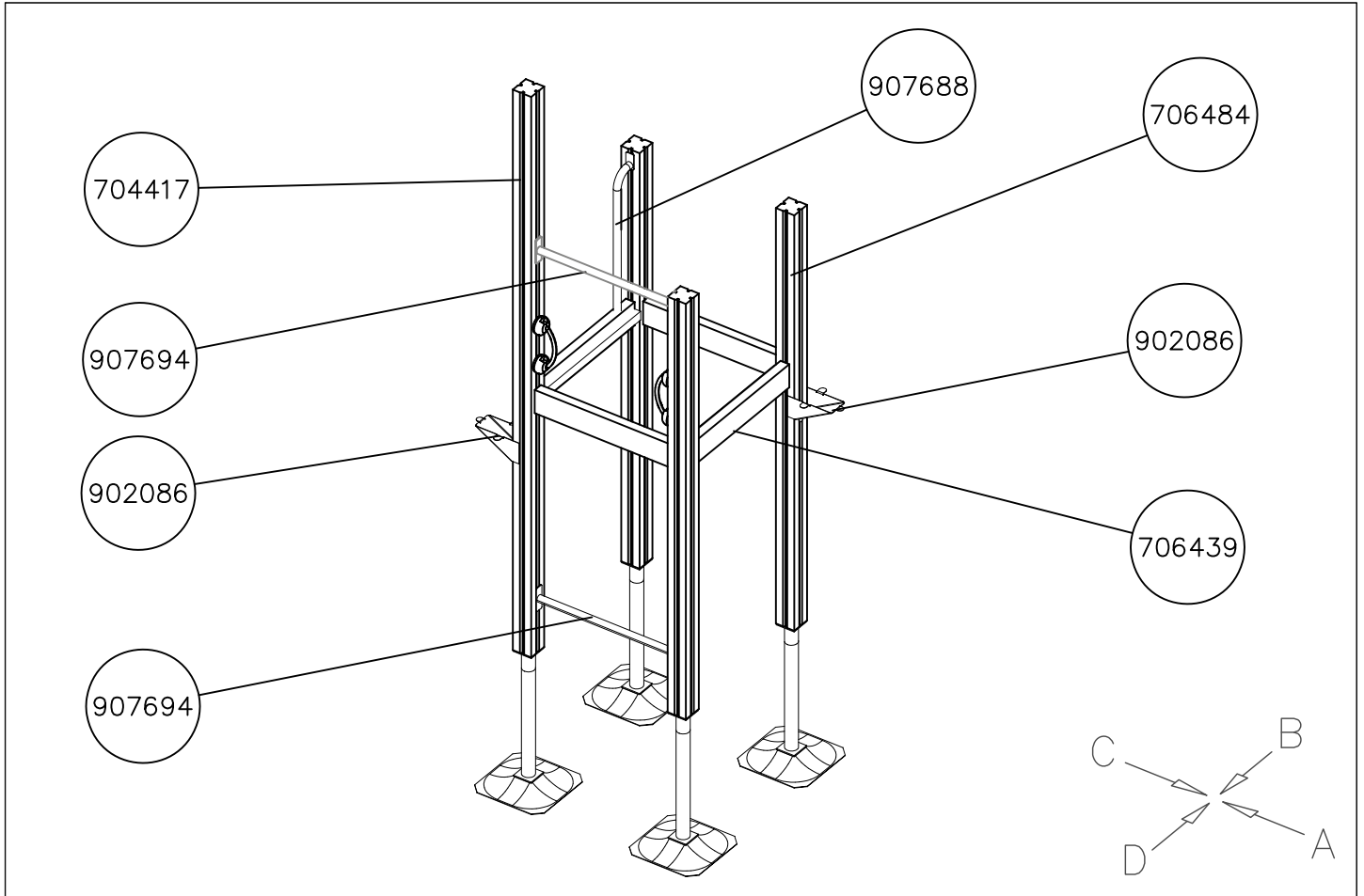


C



D

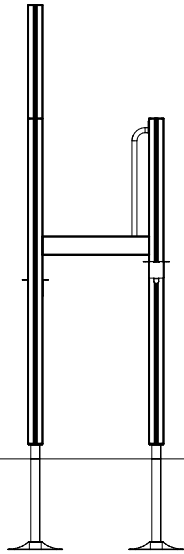




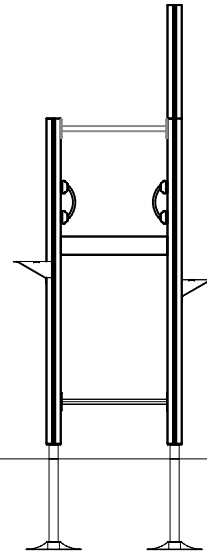
DATE: 17.11.2020

1:50

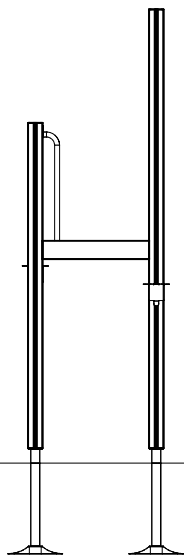
A



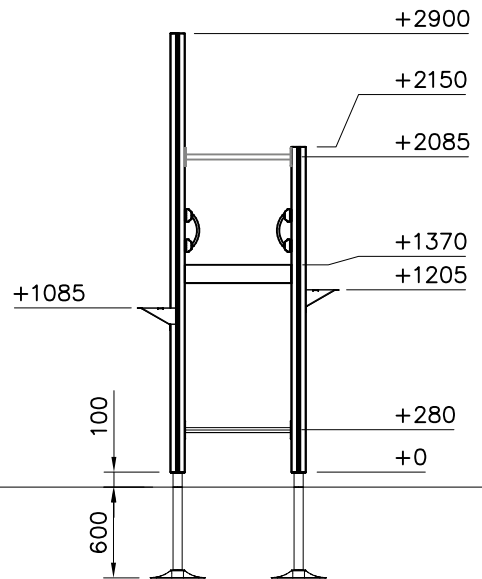
B

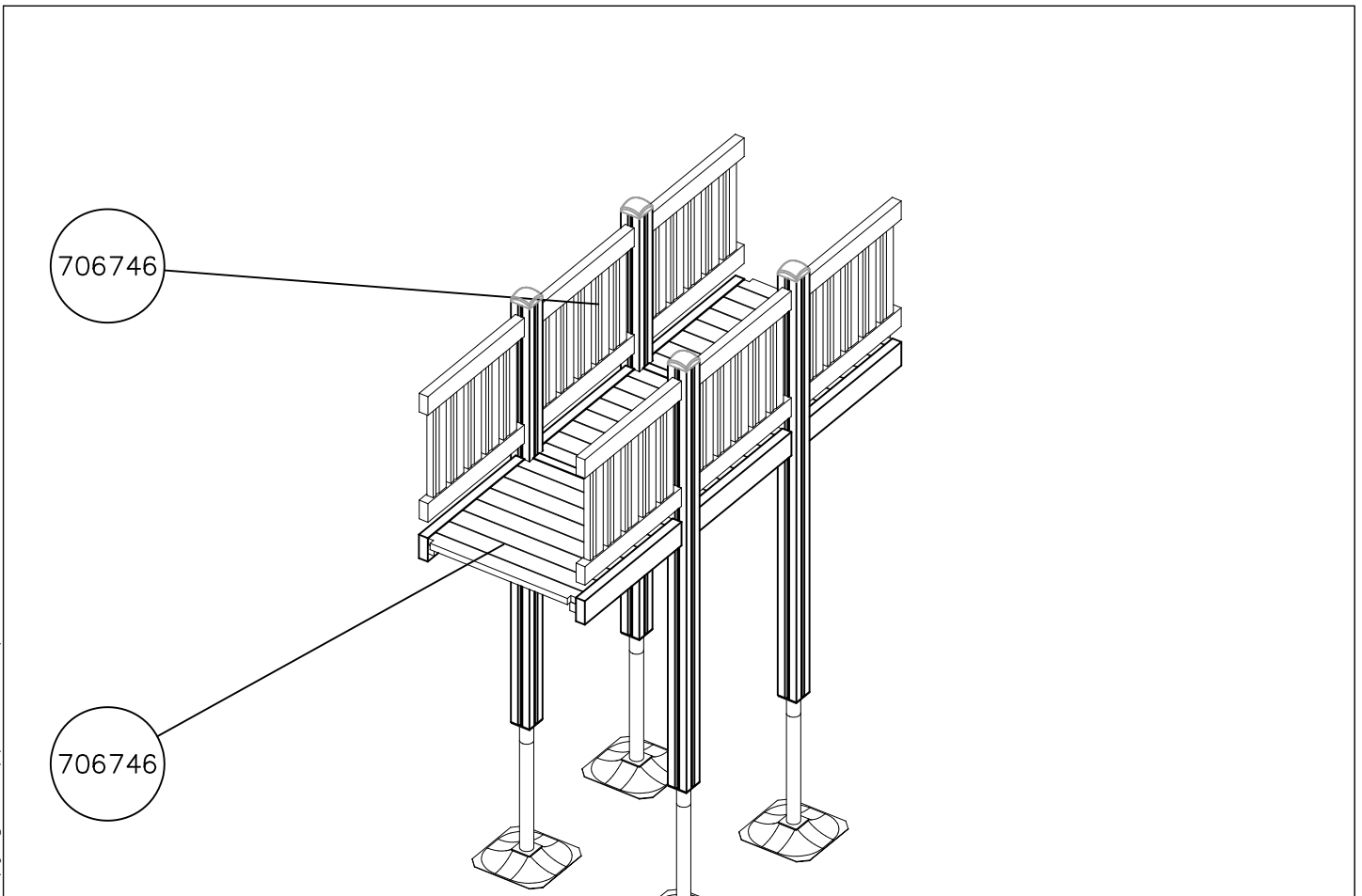
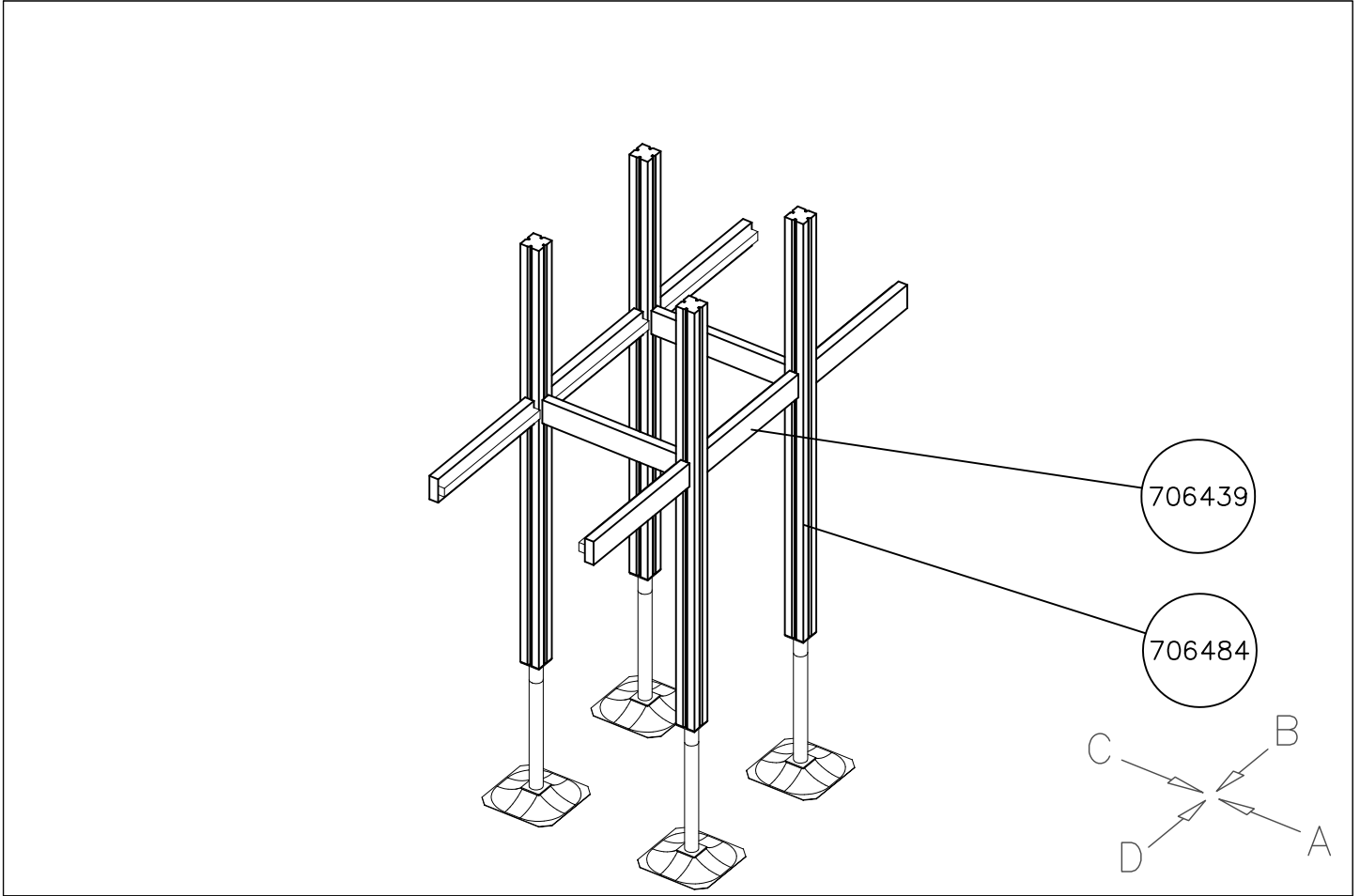


C



D

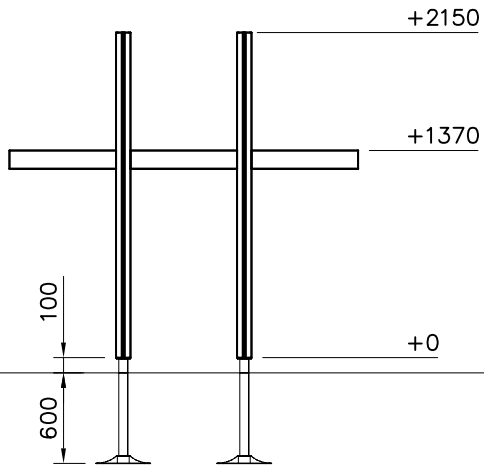




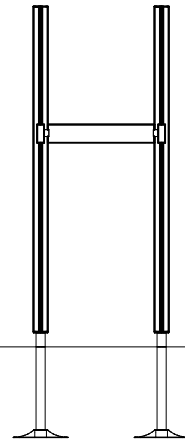
DATE: 17.11.2020

1:50

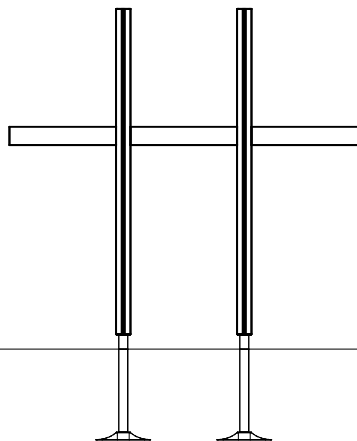
A



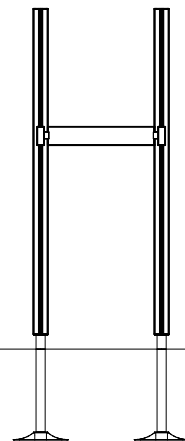
B

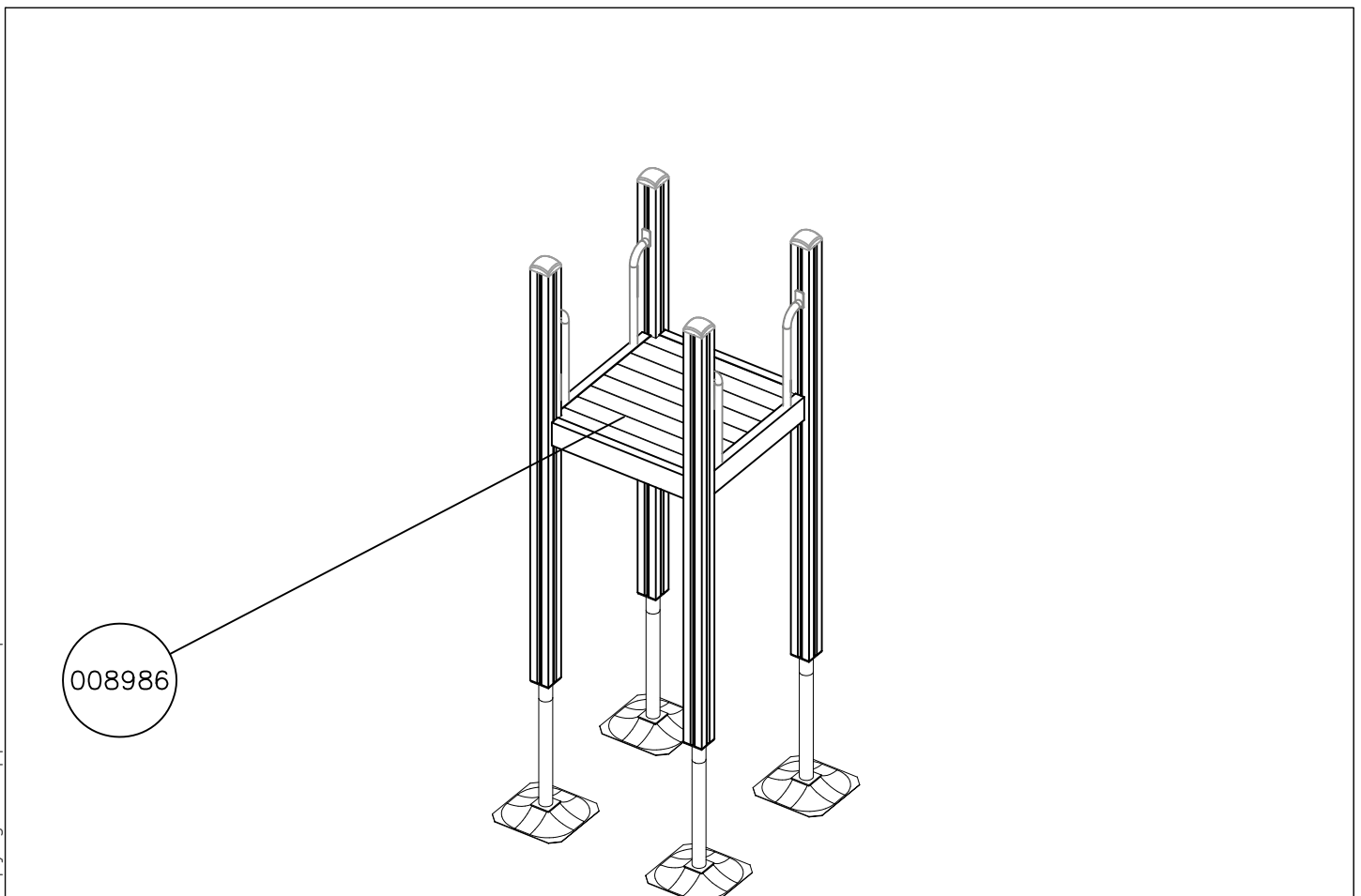
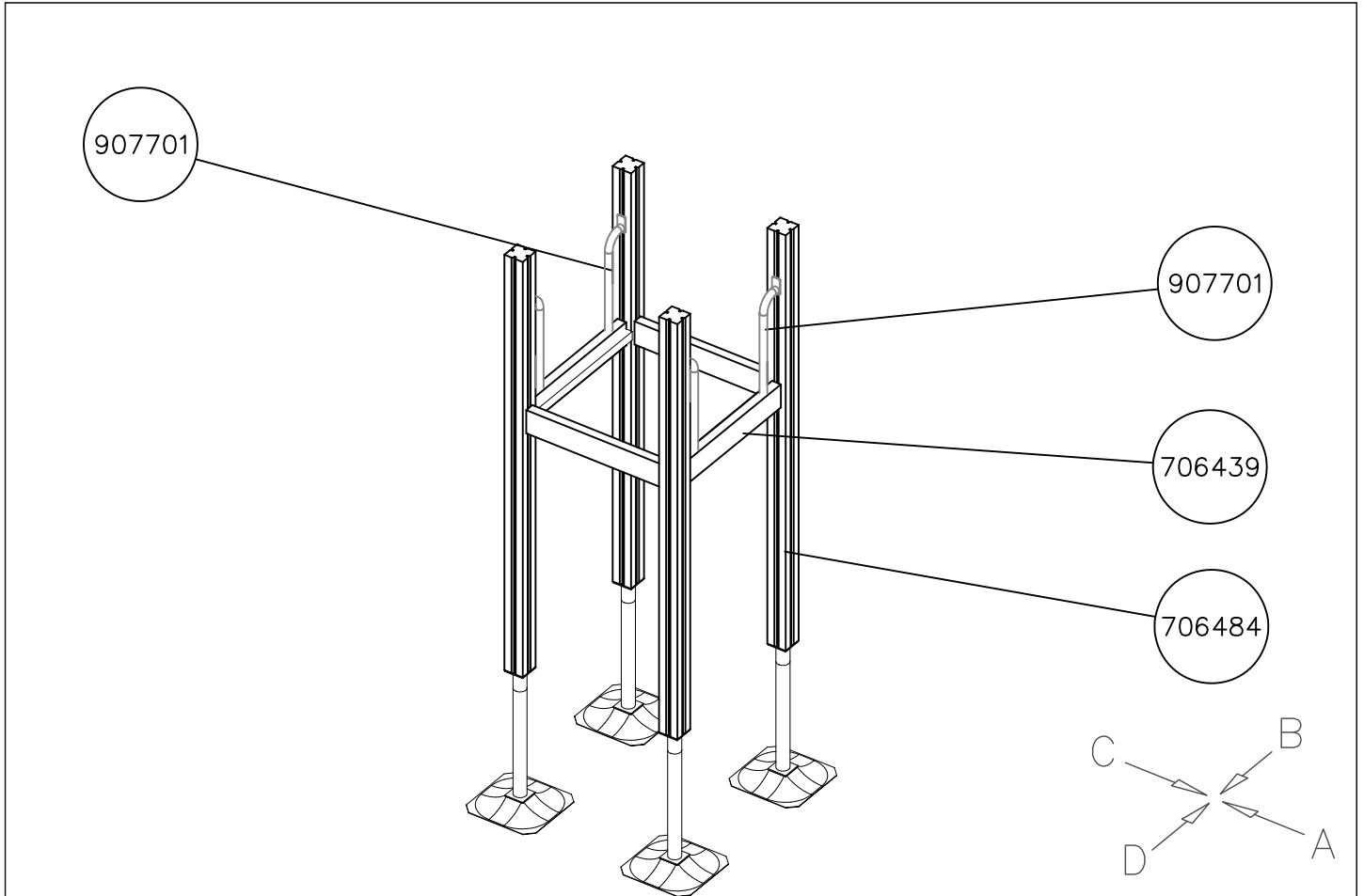


C



D

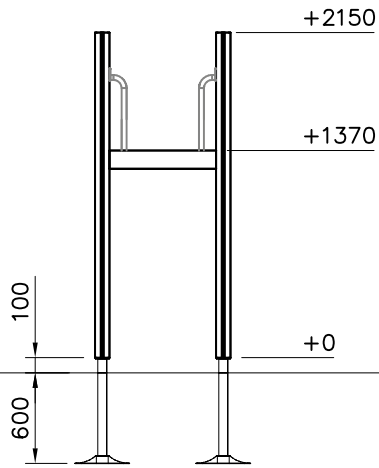




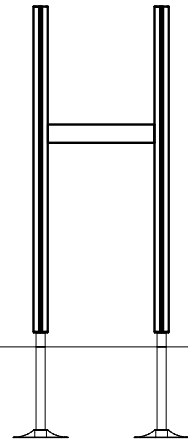
DATE: 17.11.2020

1:50

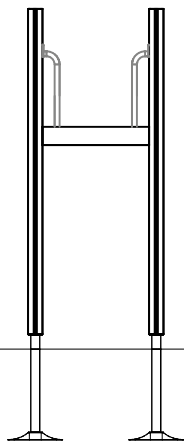
A



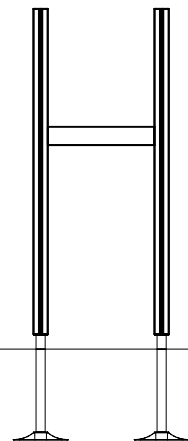
B

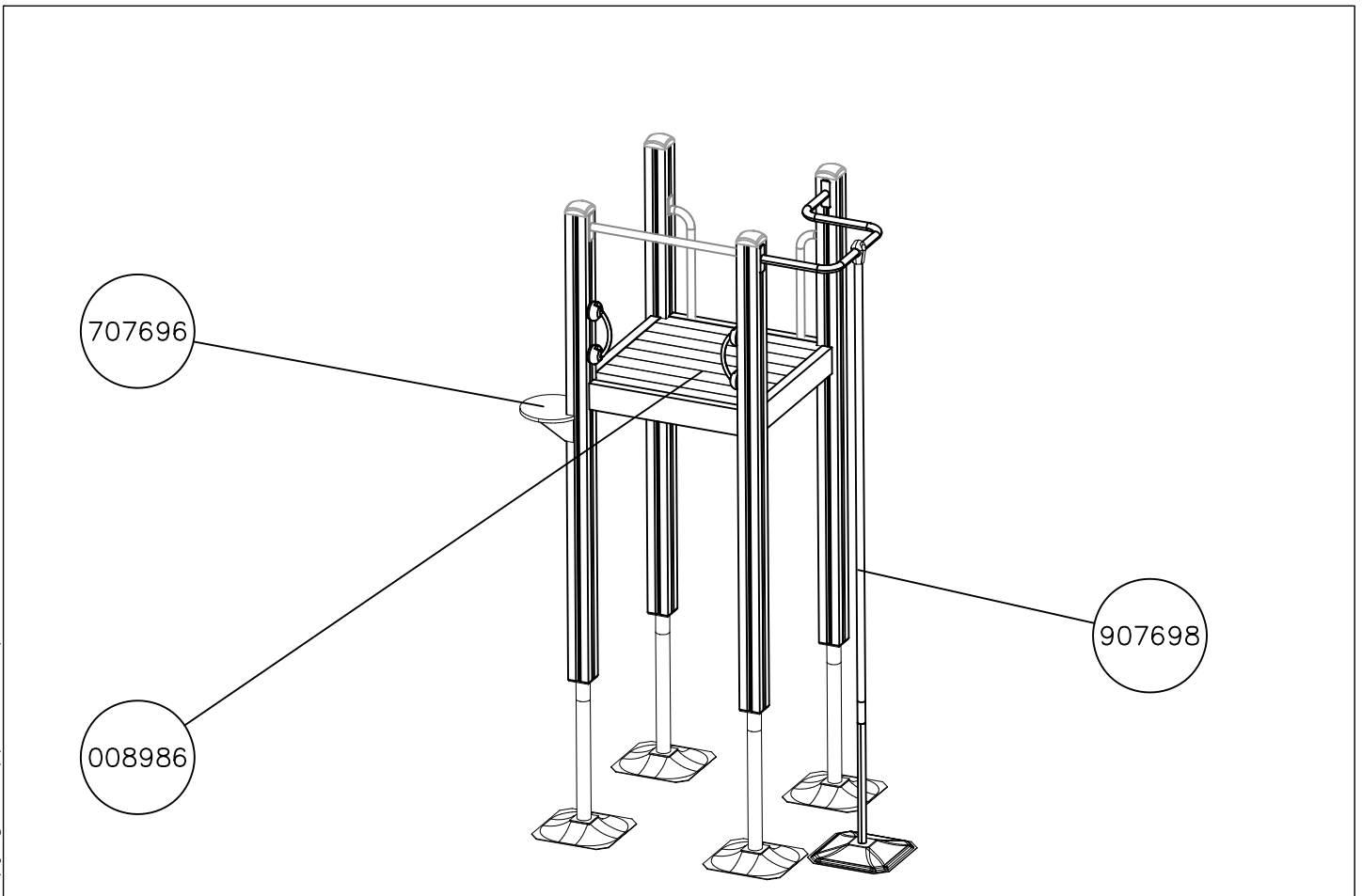
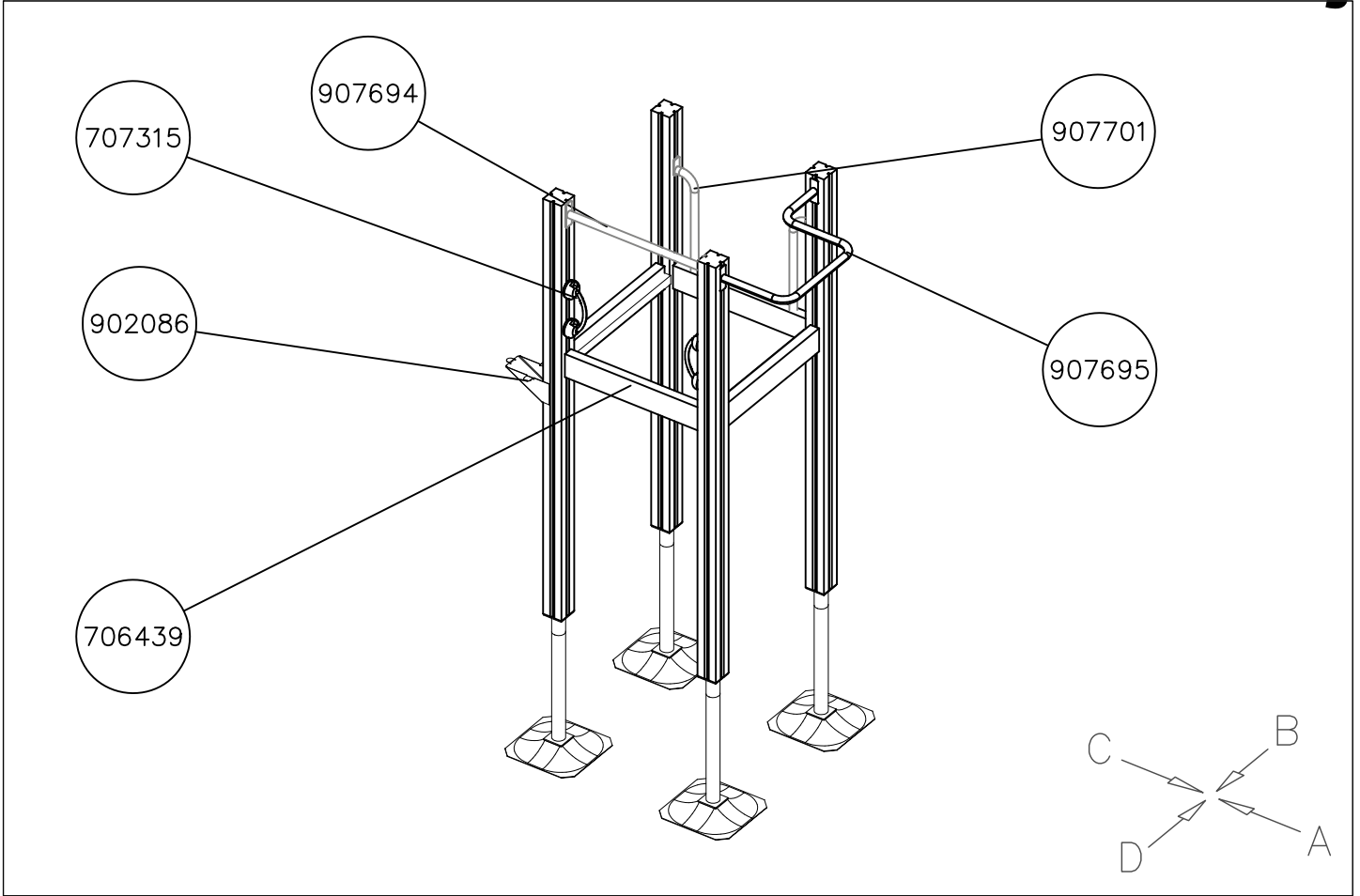


C



D

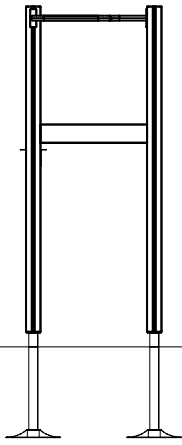




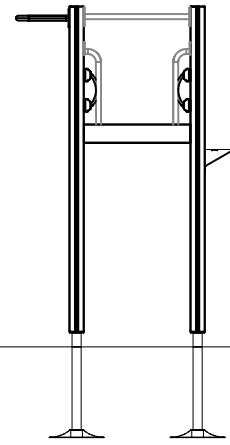
DATE: 17.11.2020

1:50

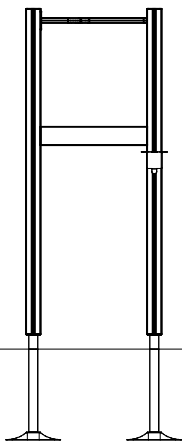
A



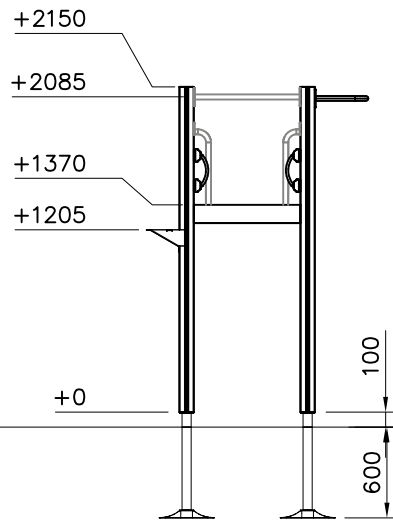
B

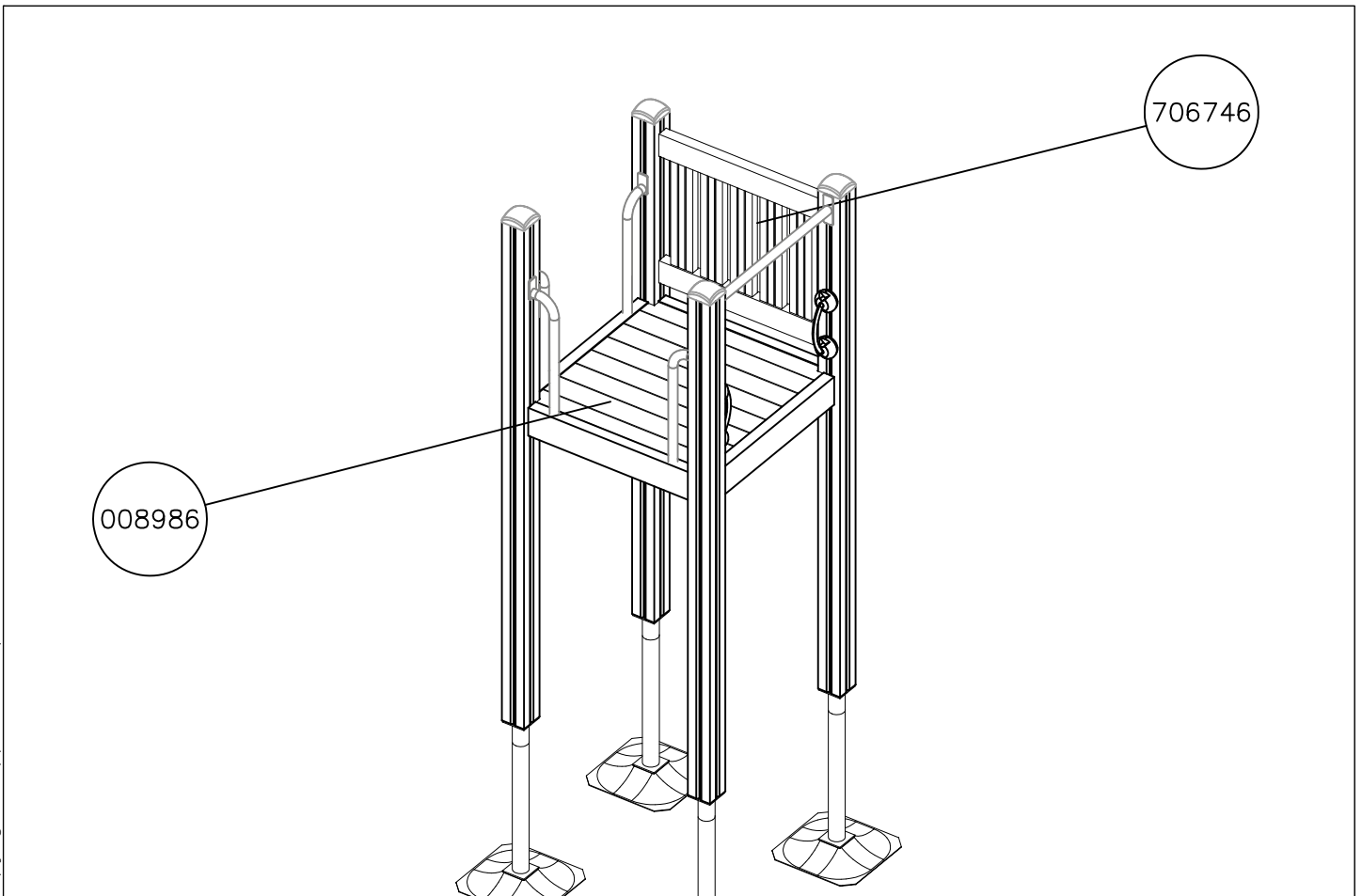
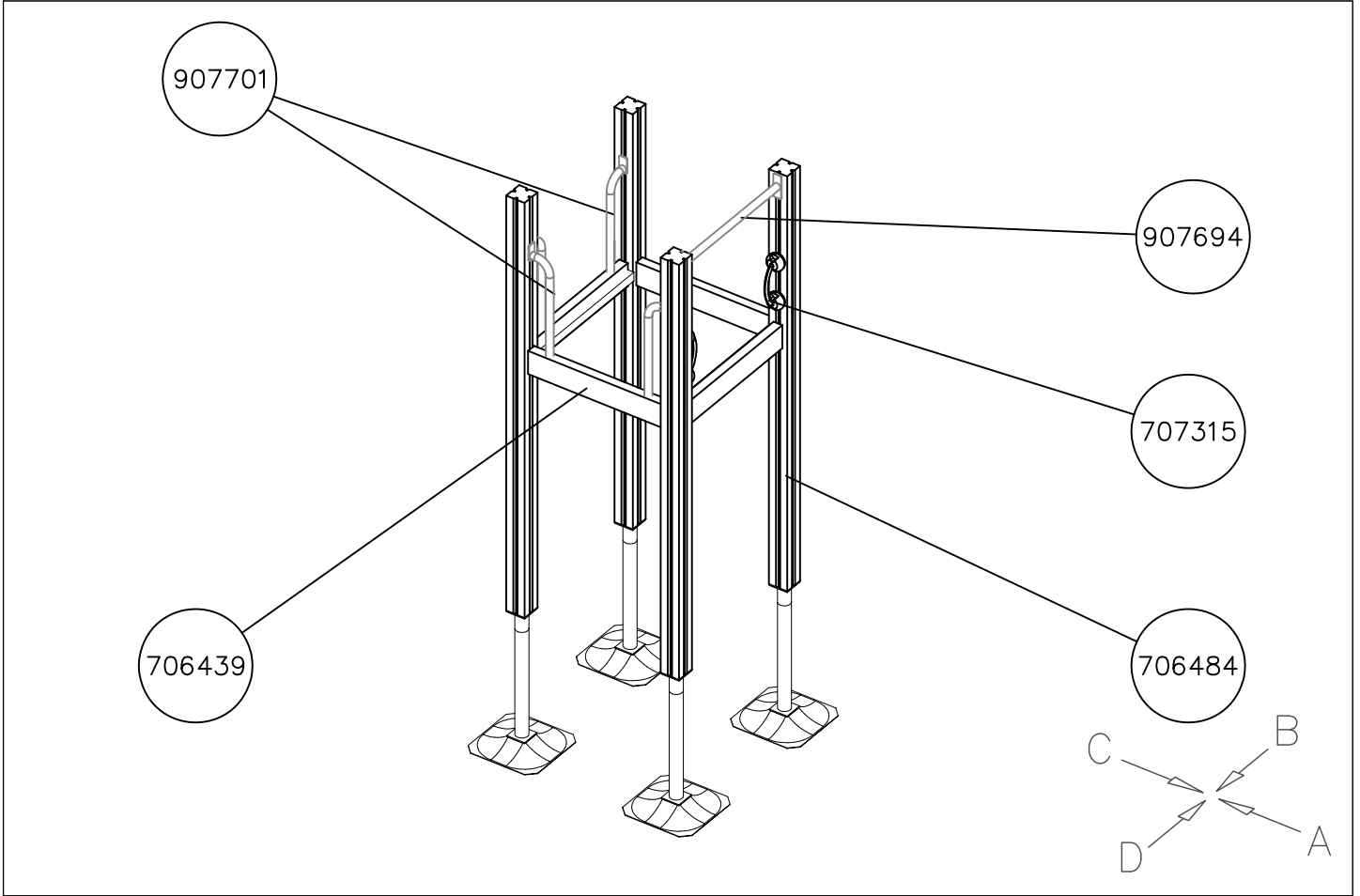


C



D

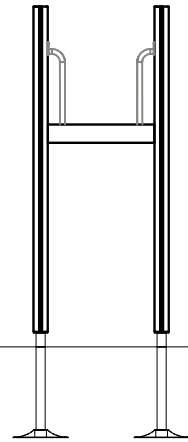
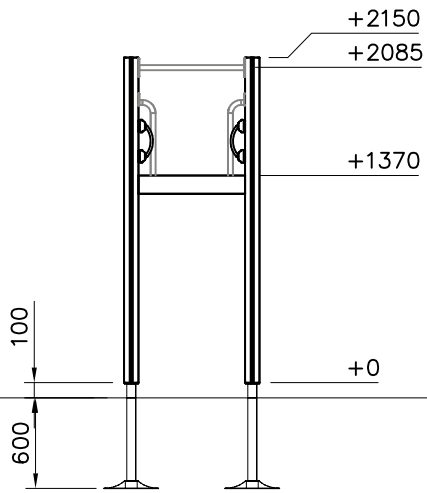




1:50

A

B



C

D

