

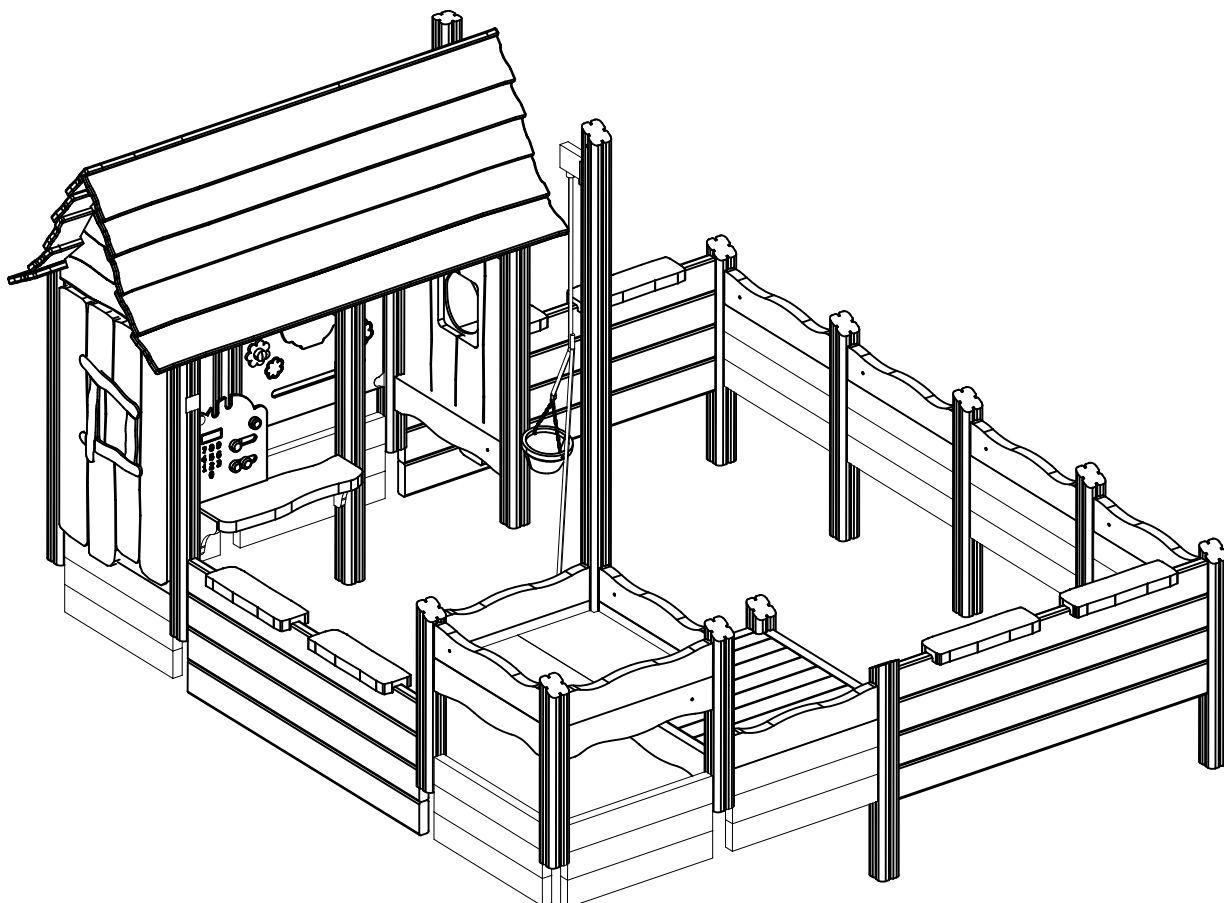
LAPPSET®

FLORA

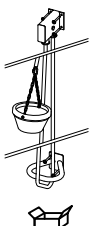
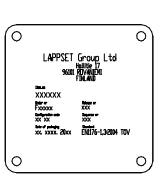
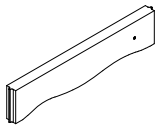
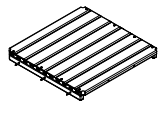


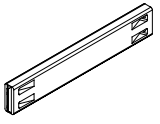
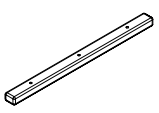
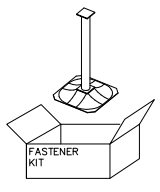
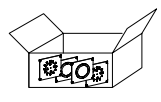
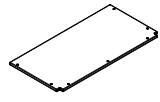
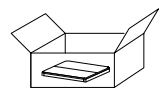
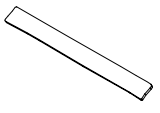
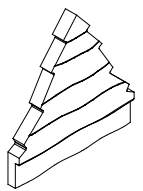
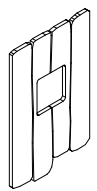
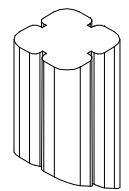

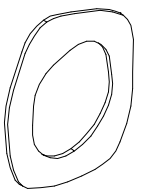
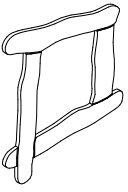
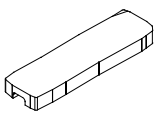
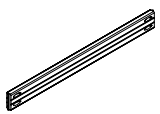
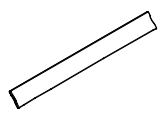
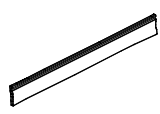
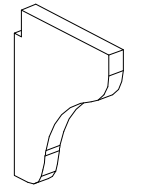
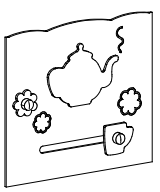
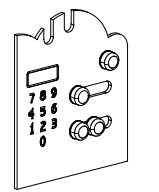
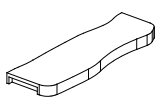
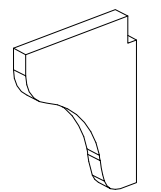
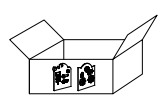
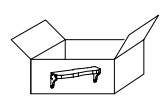
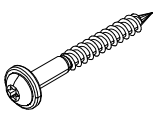
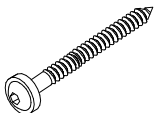
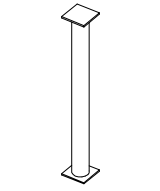
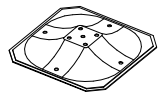
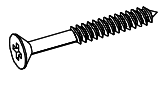
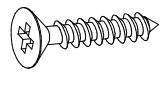
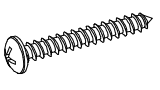


ASENNUSOHJE
MONTERINGSANSVISNING
INSTALLATION INSTRUCTION
AUFBAUANLEITUNG
NOTICE D'INSTALLATION

DATE: 20.12.2022

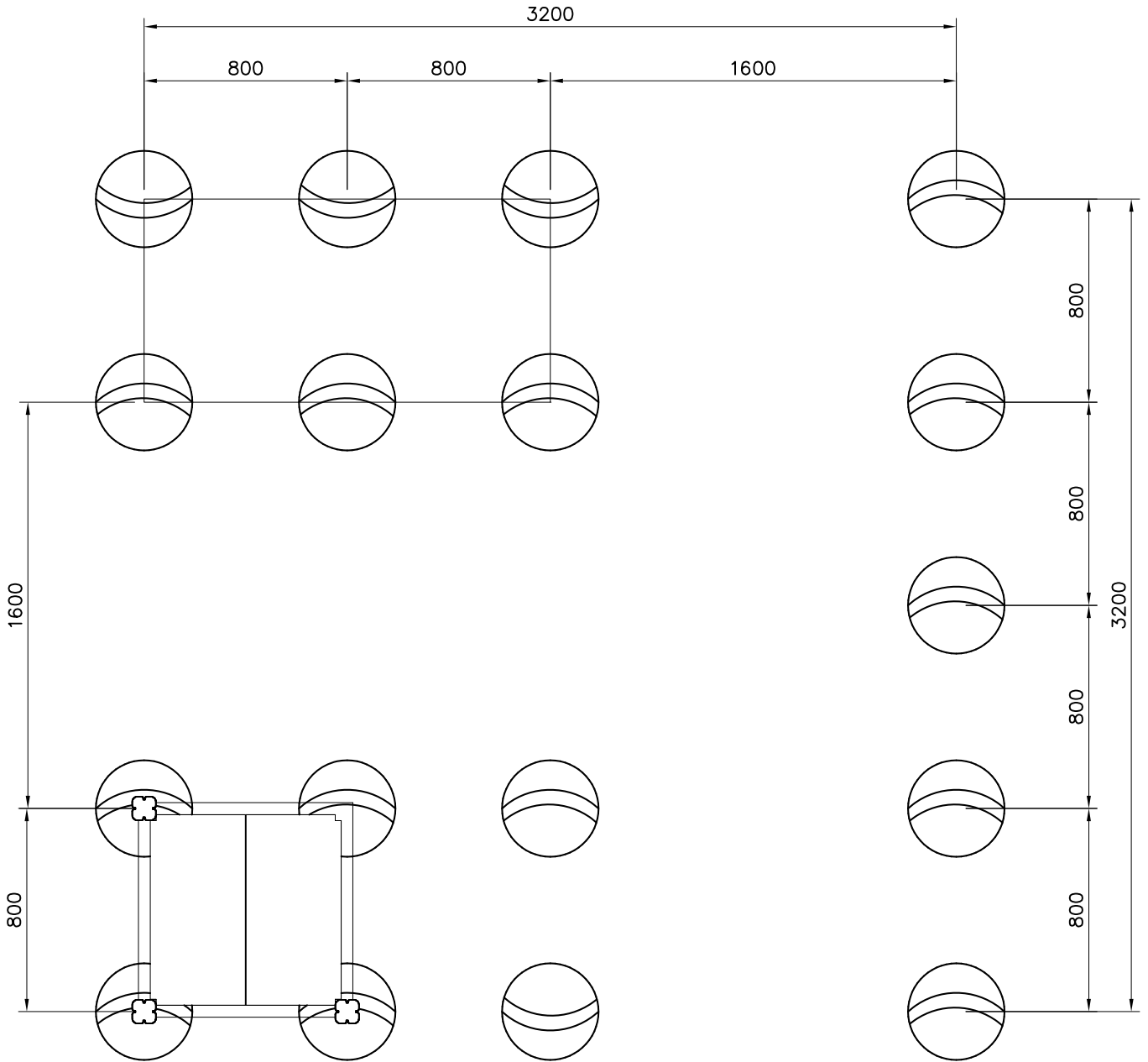
Q15104

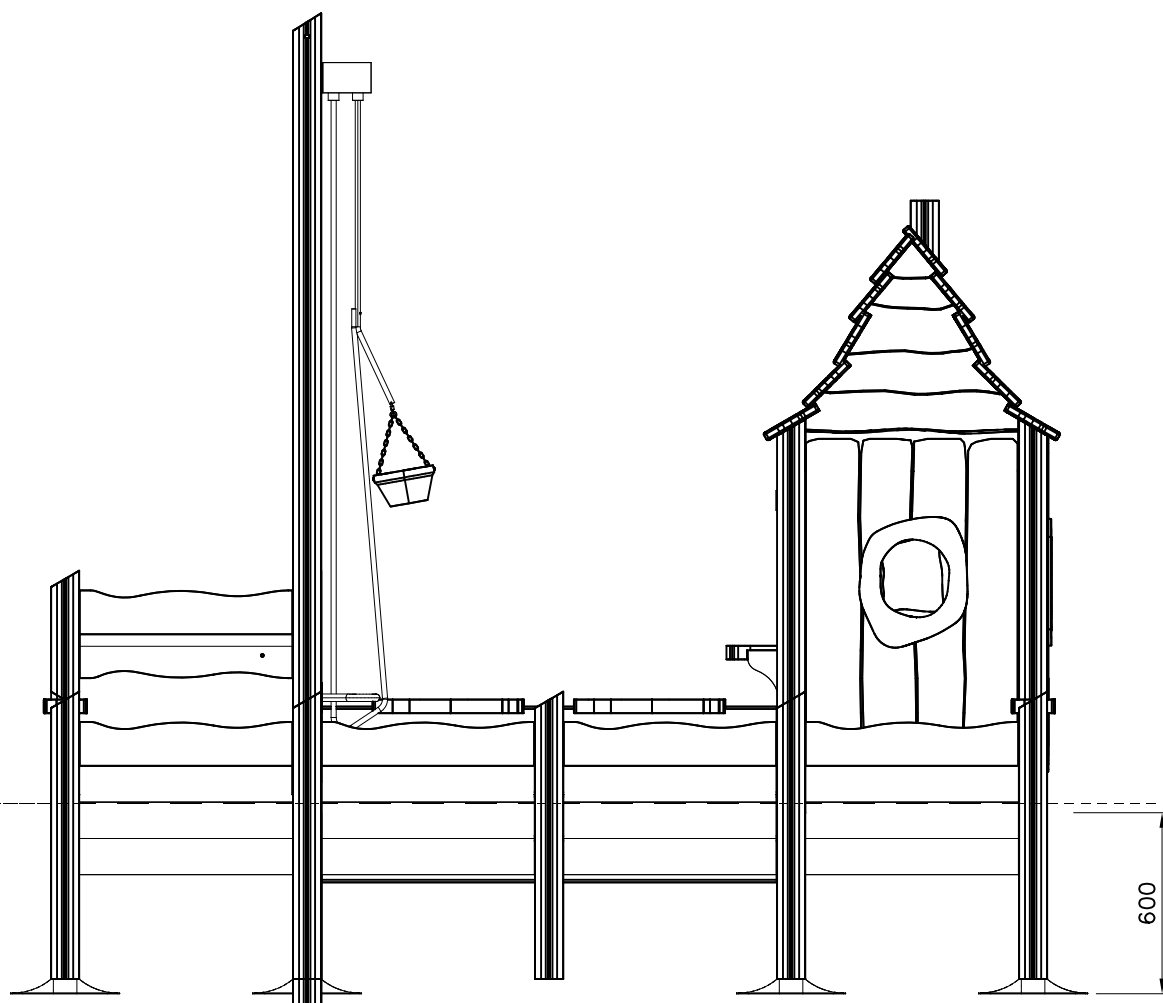
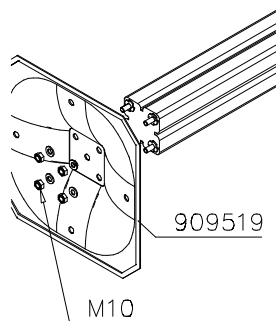


DATE: 20.12.2022

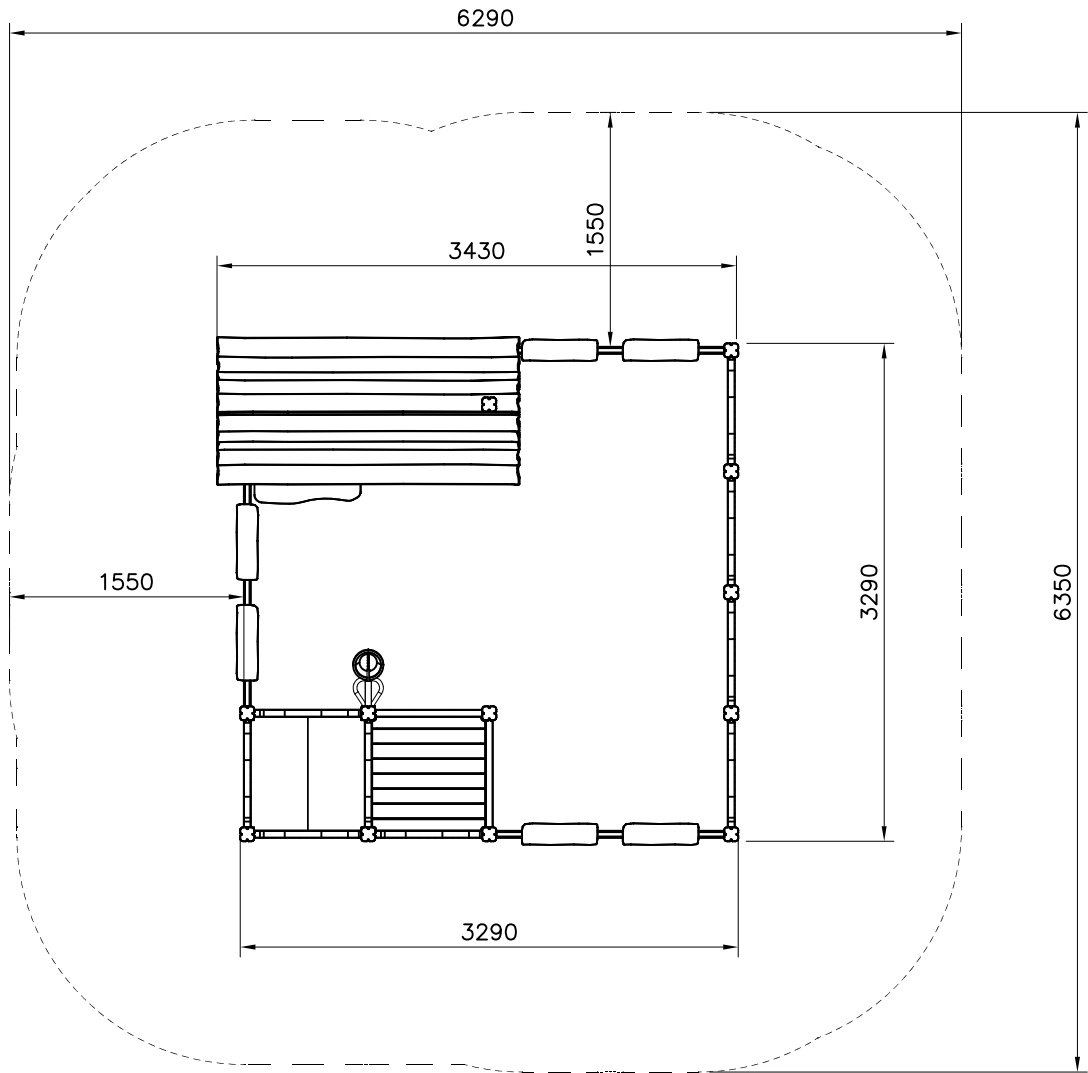
| | | | | | |
|---|--|---|--|---|---|
|  701959 PCS 1 |  702286 PCS 1 65x65 |  705211 PCS 22 L=724 |  705258 PCS 1 |  706181 PCS 1 L=2538 |  706193 PCS 7 L=946 |
|  706439 PCS 30 L 704 |  706508 PCS 4 32x45x650 |  706531 PCS 1 FASTENER KIT |  706778 PCS 1 |  707327-704 PCS 2 15x375x750 |  707515 PCS 1 |
|  708372 PCS 8 28x200x2000 |  708374 PCS 3 68x690x704 |  708437 PCS 3 |  708469 PCS 1 93x93x200 |  708472 PCS 1 |  708473 PCS 1 |
|  708474 PCS 1 |  708752 PCS 6 45x145x500 |  708767 PCS 12 45x145x1505 |  708896 PCS 1 28x200x2000 |  708898 PCS 1 28x200x2000 |  709350-705 PCS 1 20x154x200 |
|  709358-707 PCS 1 79x640x702 |  709372-707 PCS 1 423x351 |  709375 PCS 1 45x224x702 |  709400-705 PCS 1 20x154x200 |  709402 PCS 1 |  709476 PCS 1 |
|  900240 PCS 12 Ø8x70 |  903093 PCS 269 Ø8x90 |  909511 PCS 1 90x90x650 |  909519 PCS 10 50x380x380 |  980100 PCS 60 Ø5x60 |  980110 PCS 12 Ø4x35 |
|  980114 PCS 4 Ø4x20 |  P07524 PCS 6 L=1846 |  P07837 PCS 3 L=1346 | | | |

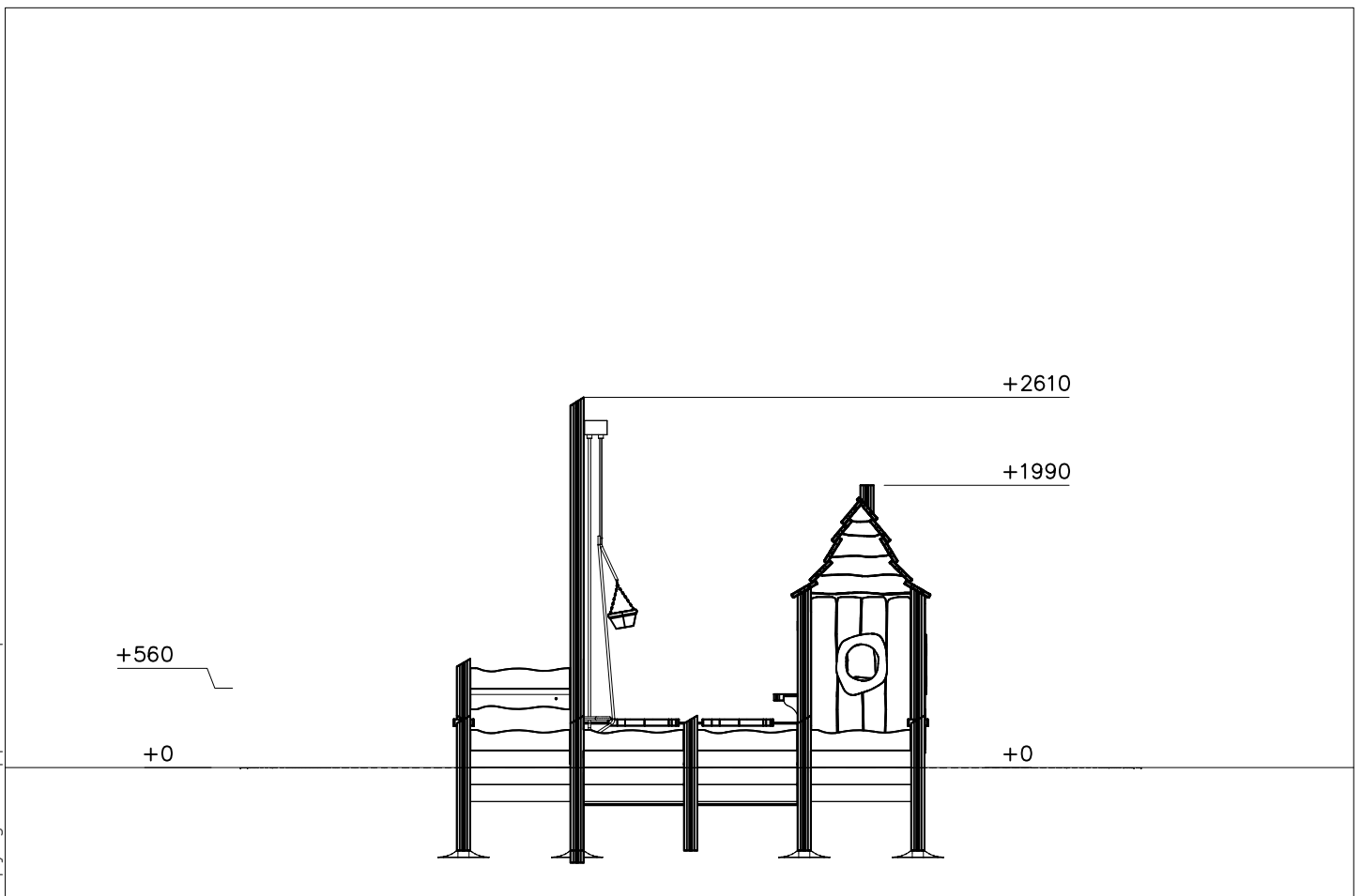
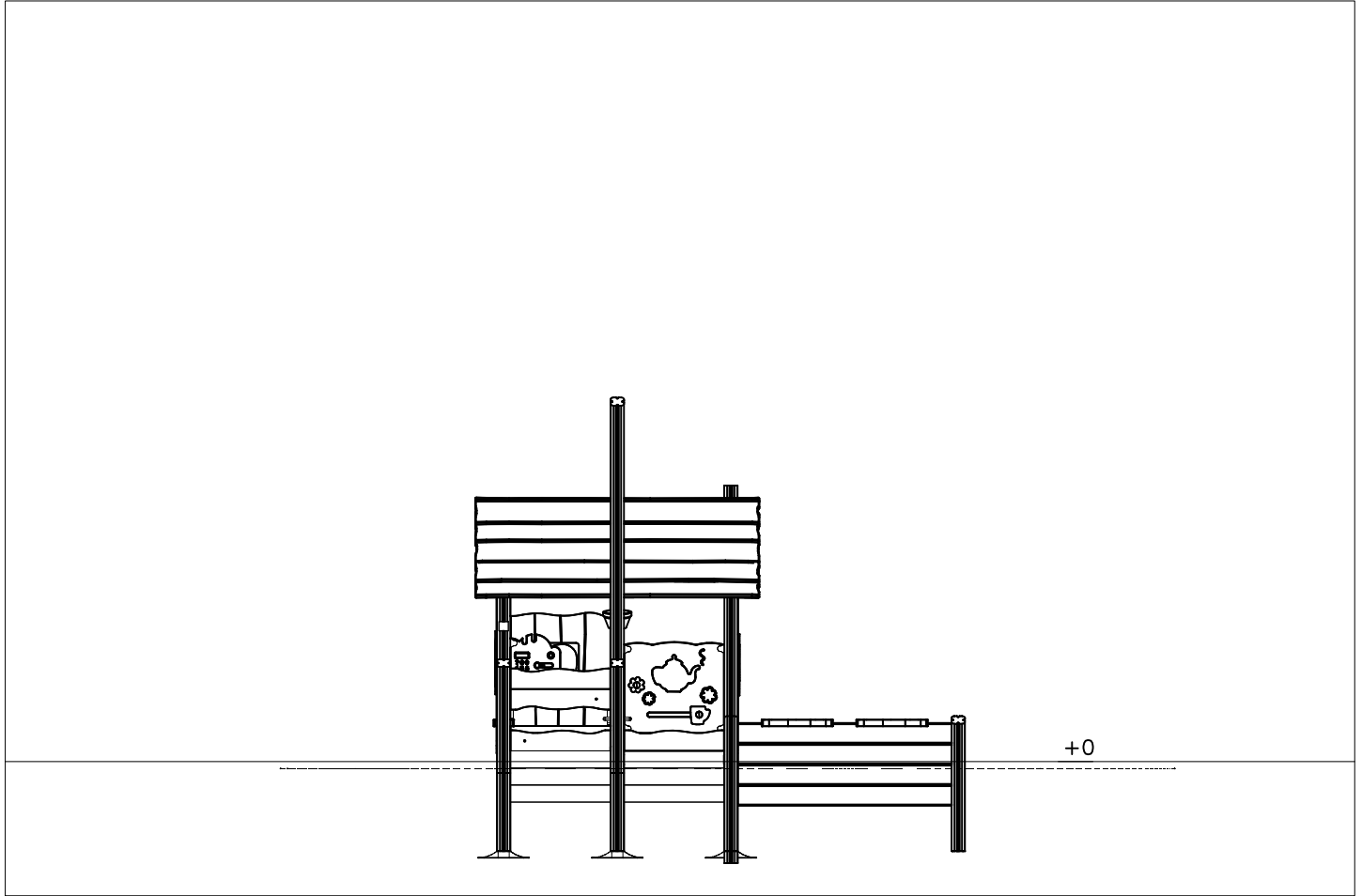
----- Falling Space 37.1 m²
Max Falling Height 560 mm

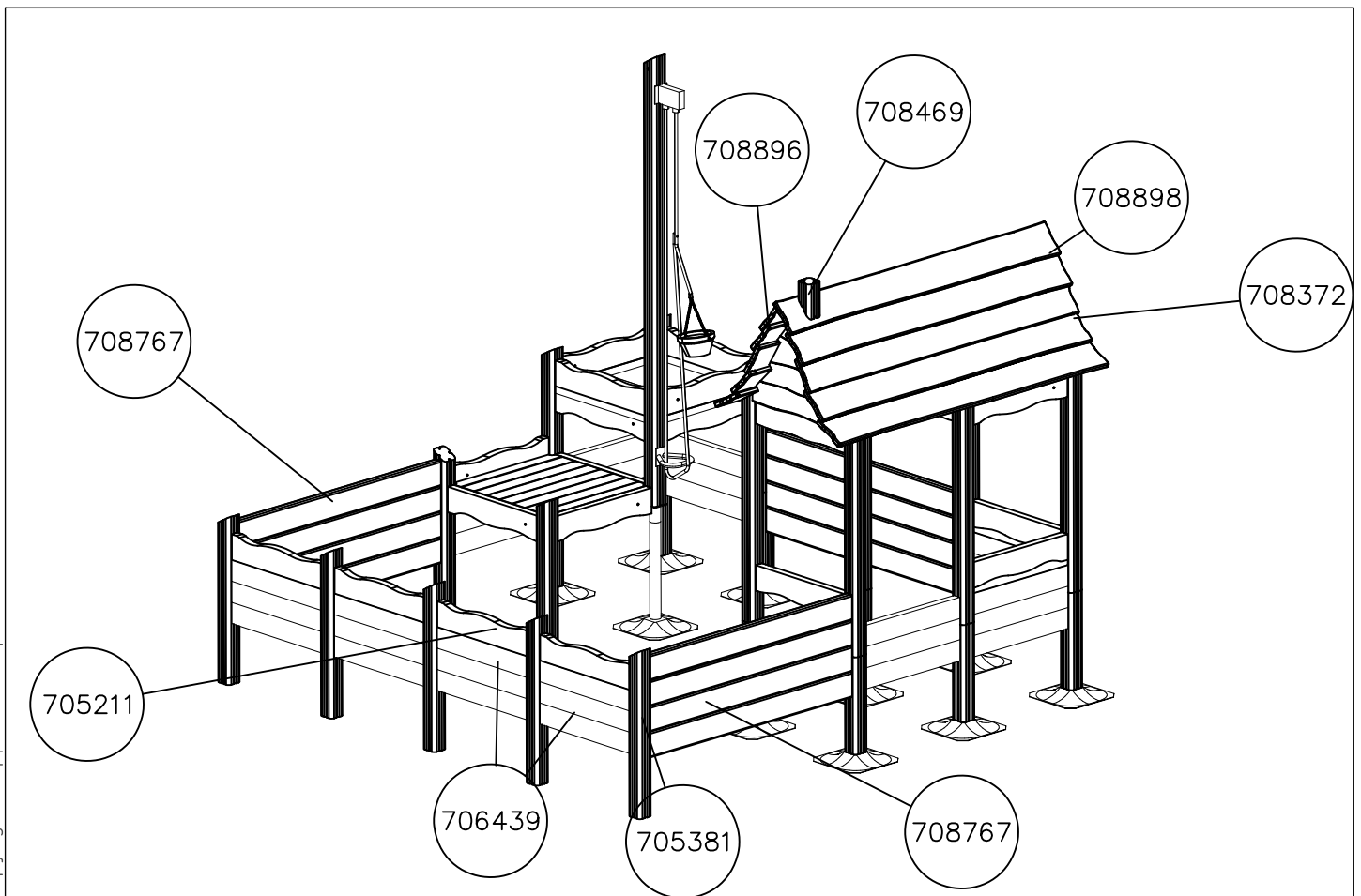
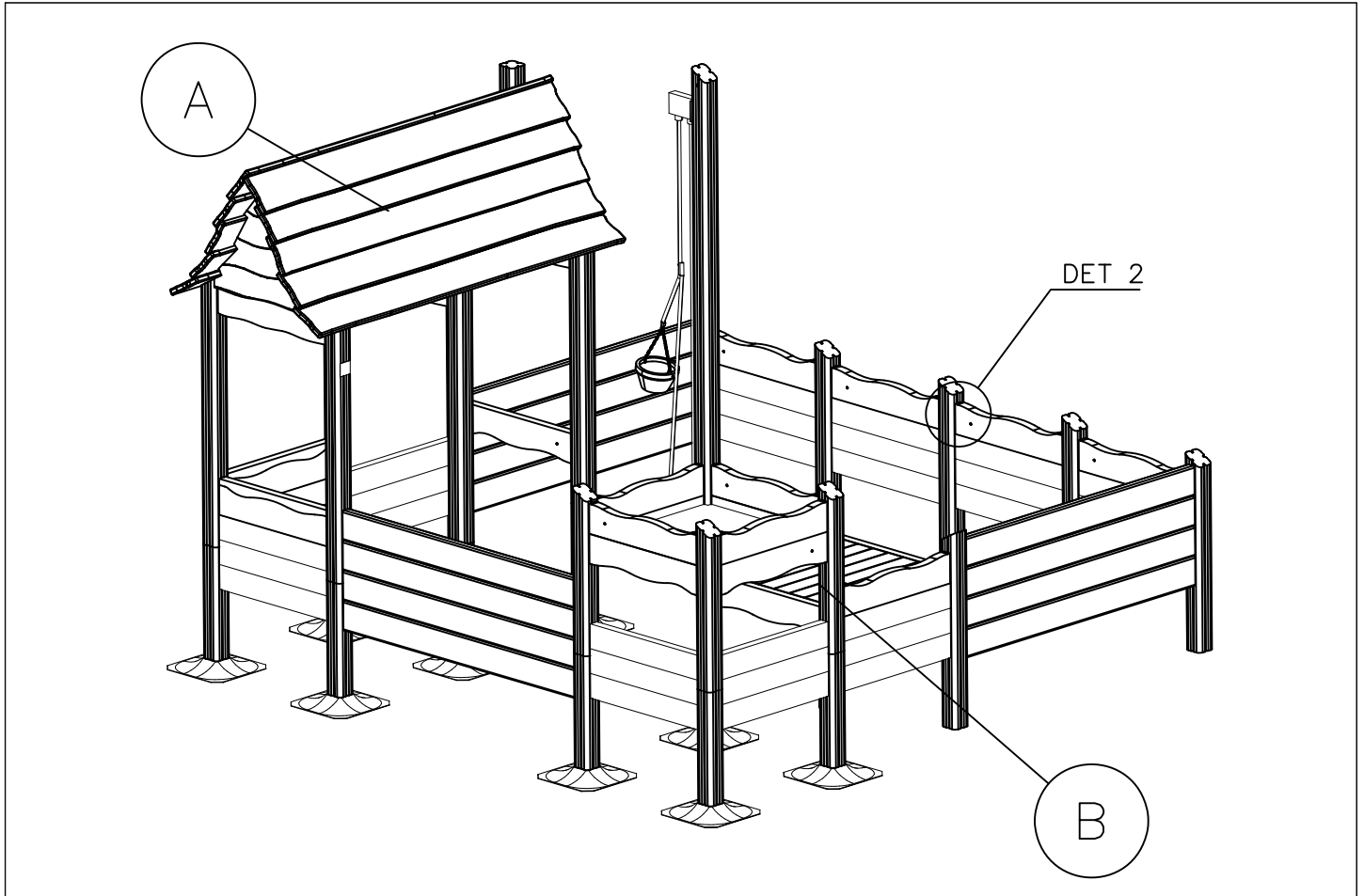


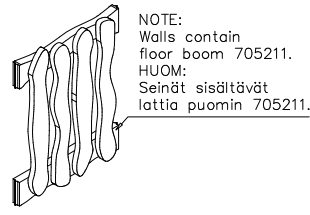
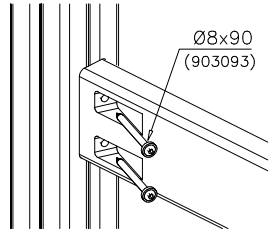
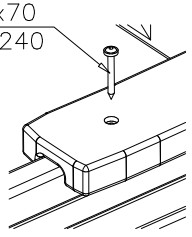
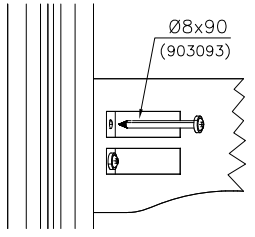
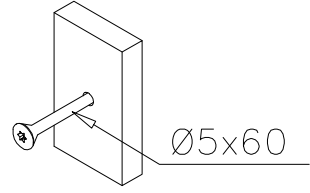
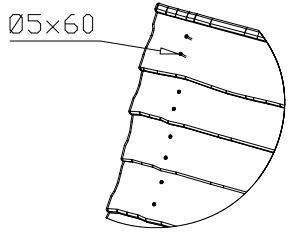
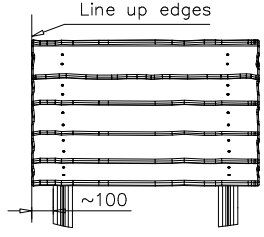
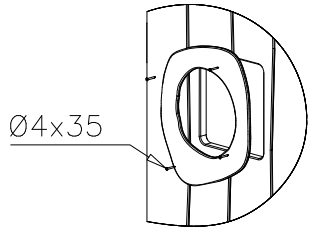
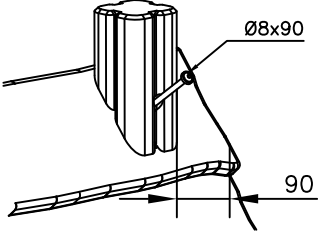


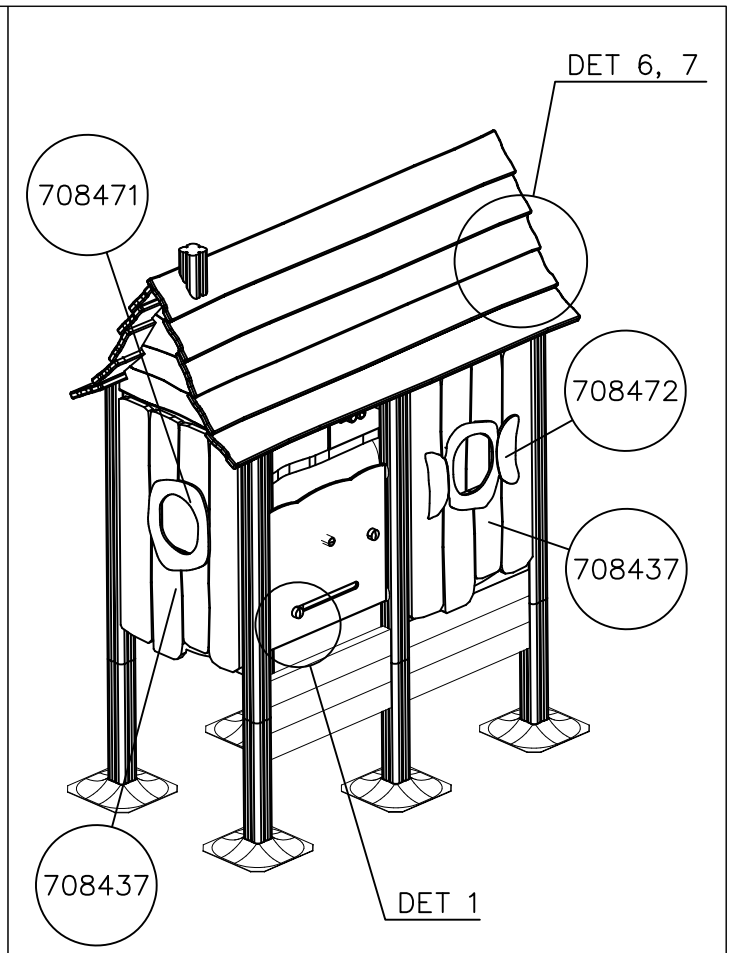
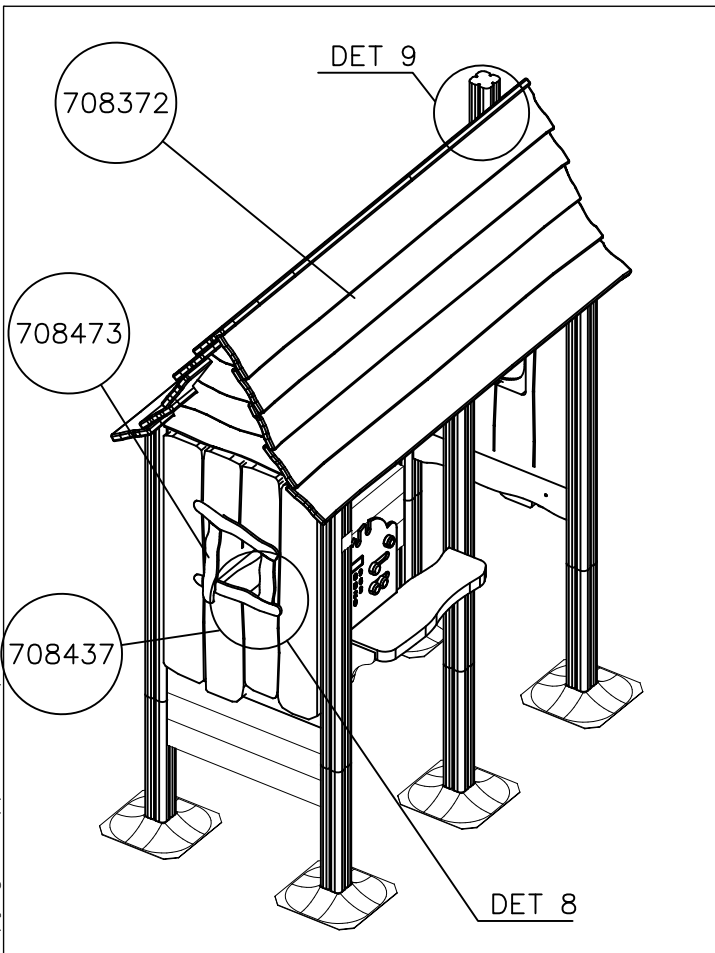
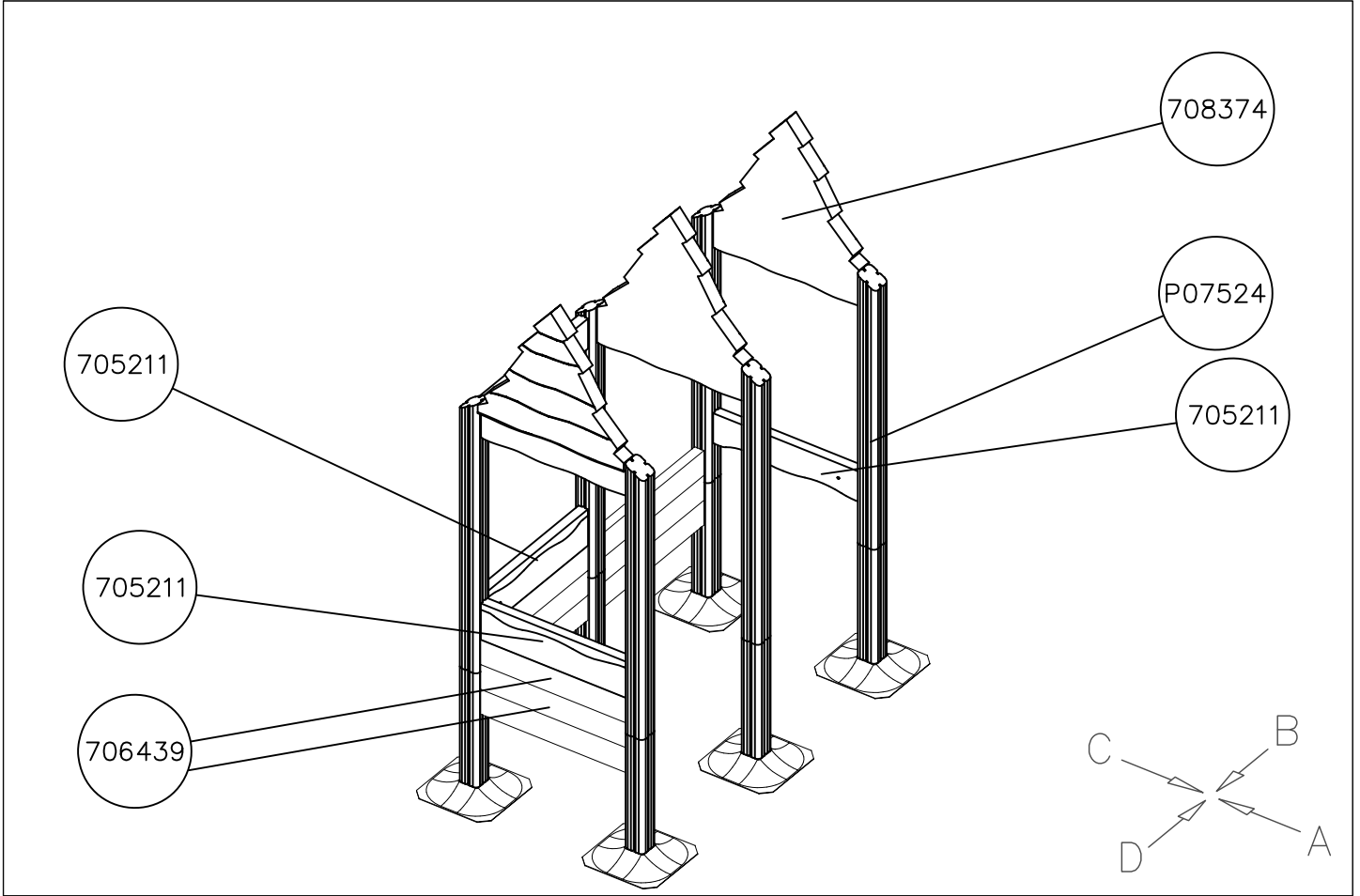
----- Falling Space 37.1 m²
Max Falling Height 560 mm







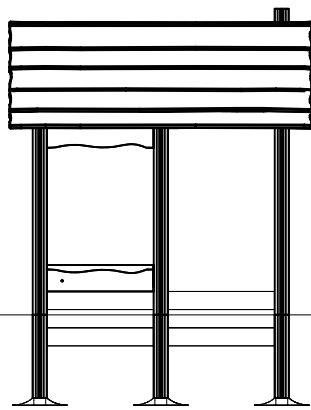
| | | | |
|--|--|---|--|
| <p>DET 1</p>  <p>NOTE: Walls contain floor boom 705211. HUOM: Seinät sisältävät lattia puomin 705211.</p> | <p>DET 2</p>  <p>Ø8x90 (903093)</p> | <p>DET 3</p>  <p>Ø8x70 900240</p> | <p>DET 4</p>  <p>Ø8x90 (903093)</p> |
| <p>DET 5</p>  <p>Ø5x60</p> | <p>DET 6</p>  <p>Ø5x60</p> | <p>DET 7</p>  <p>Line up edges ~100</p> | <p>DET 8</p>  <p>Ø4x35</p> |
| <p>DET 9</p>  <p>Ø8x90 90</p> | | | |
| | | | |
| | | | |



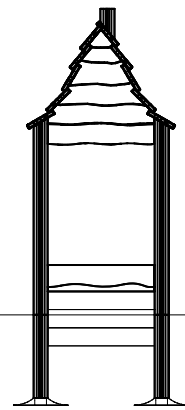
DATE: 20.12.2022

1:50

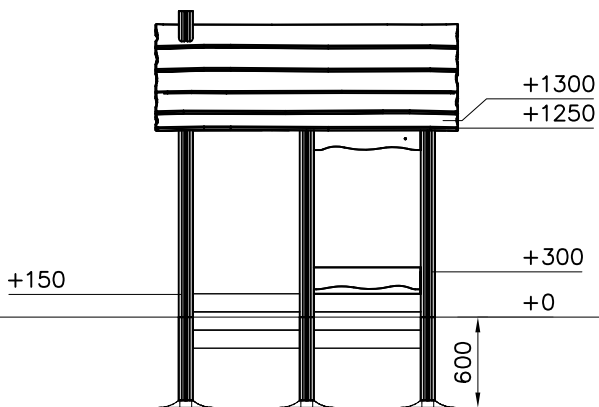
A



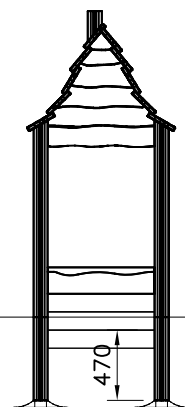
B

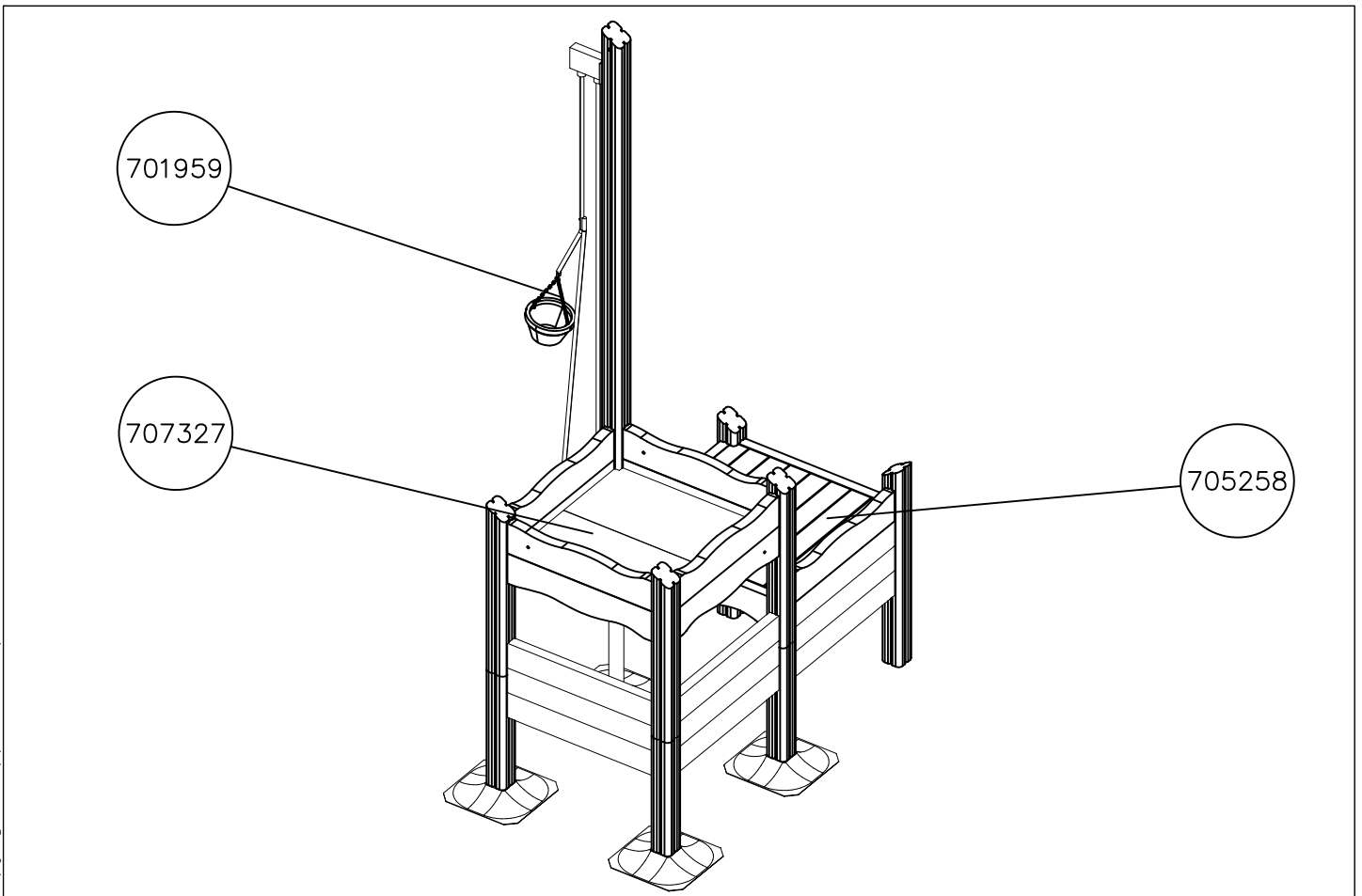
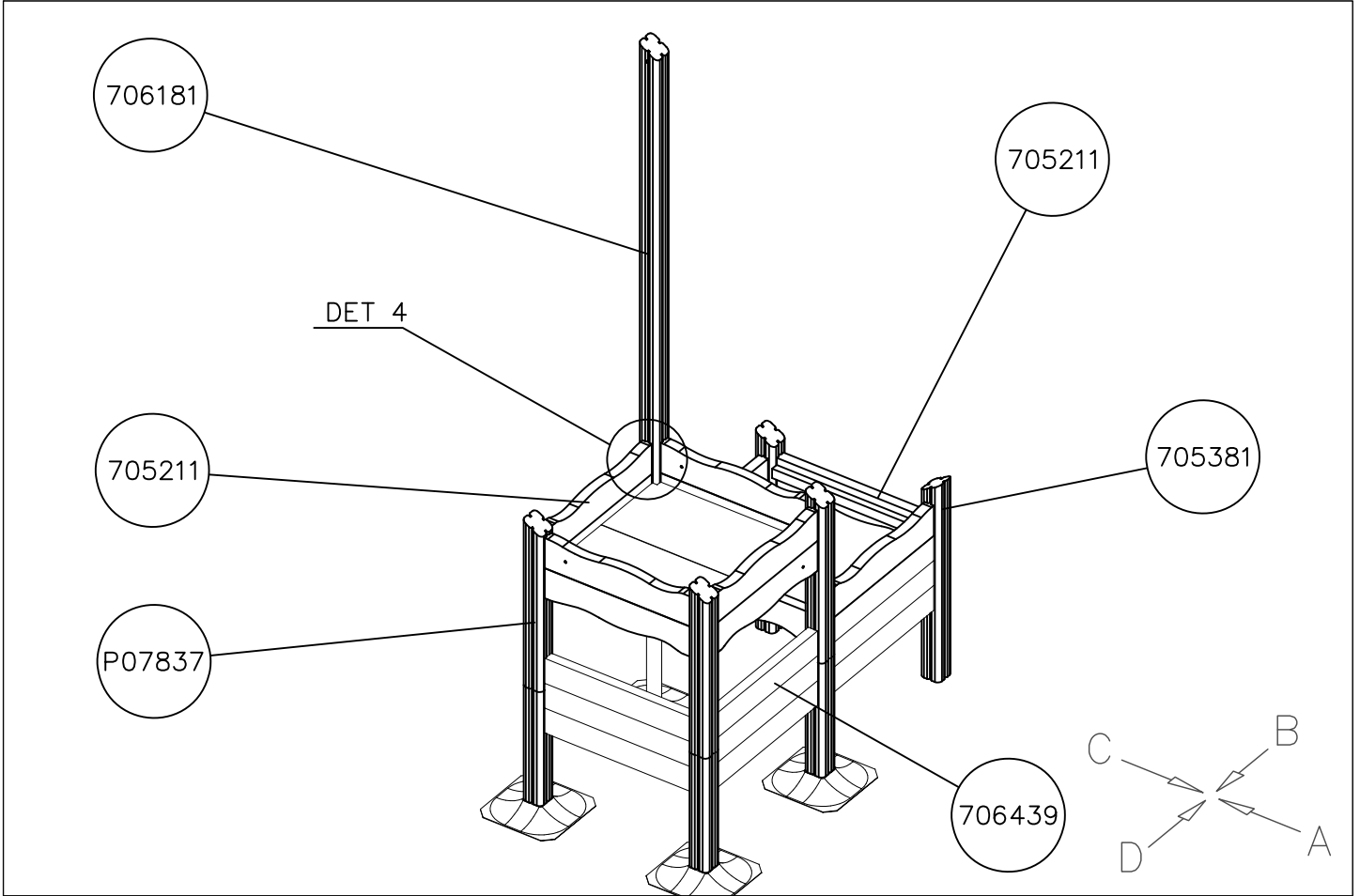


C



D



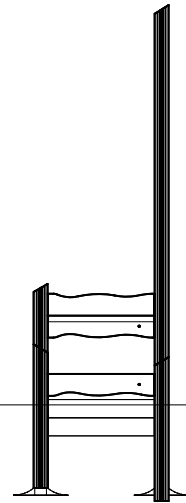
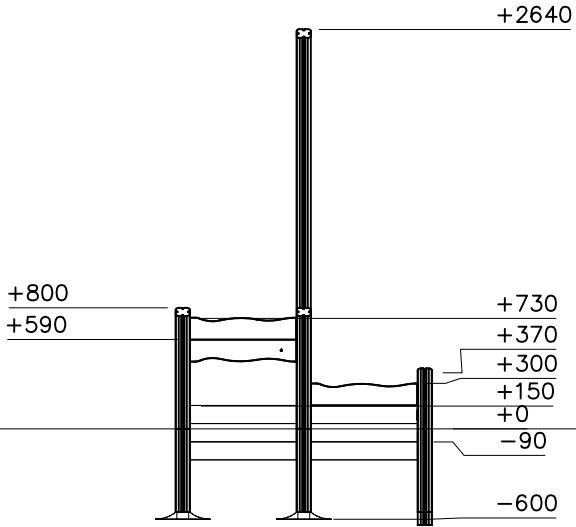


DATE: 20.12.2022

1:50

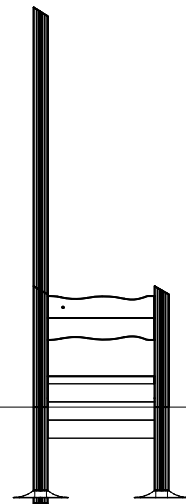
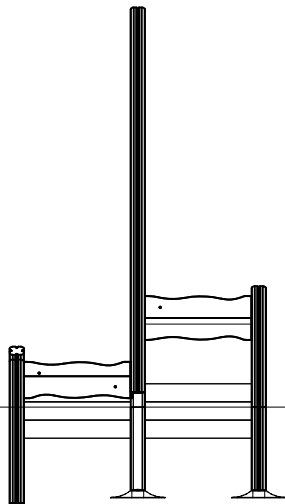
A

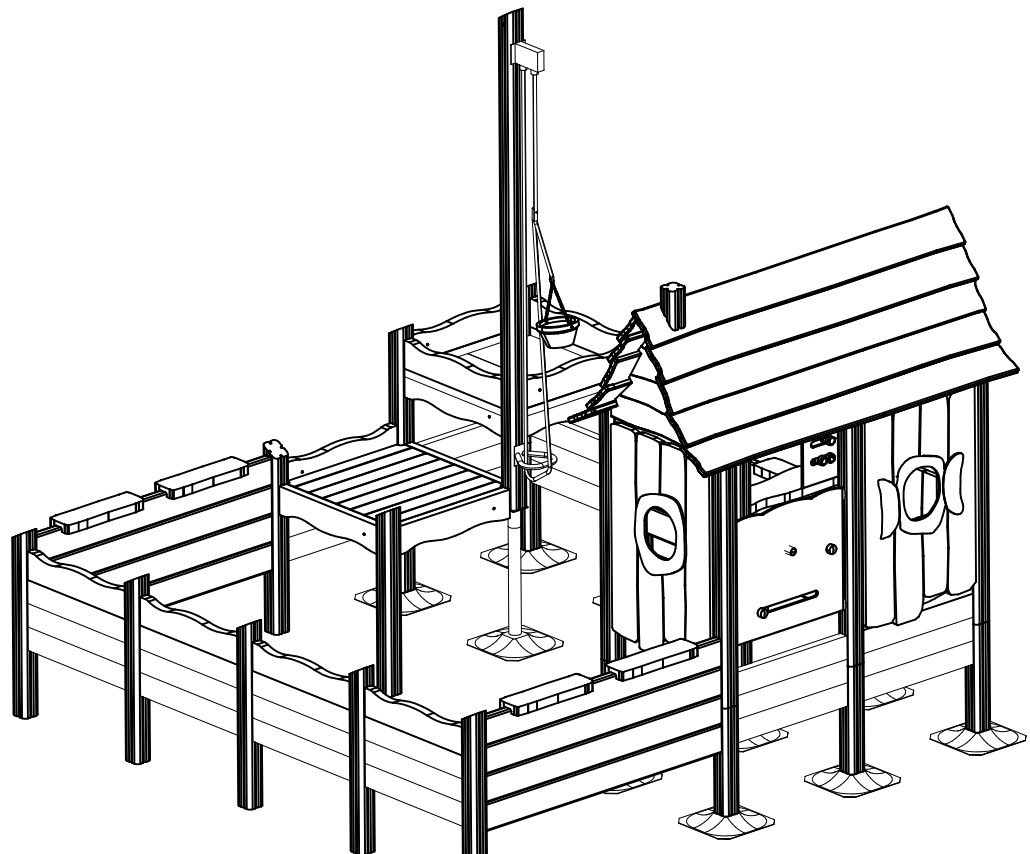
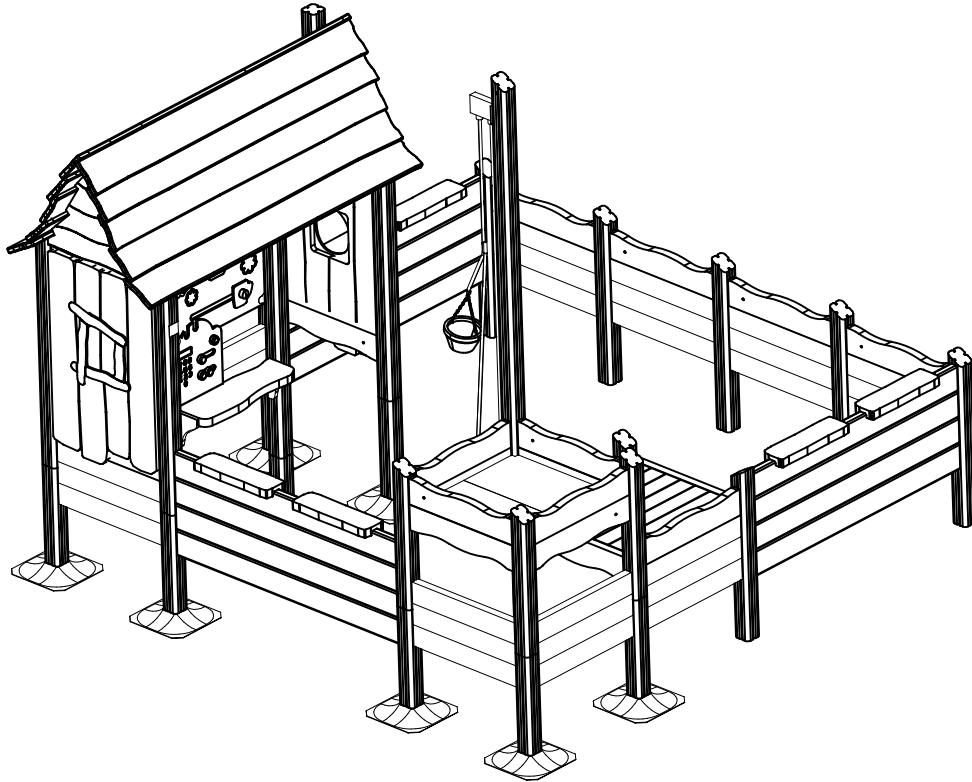
B

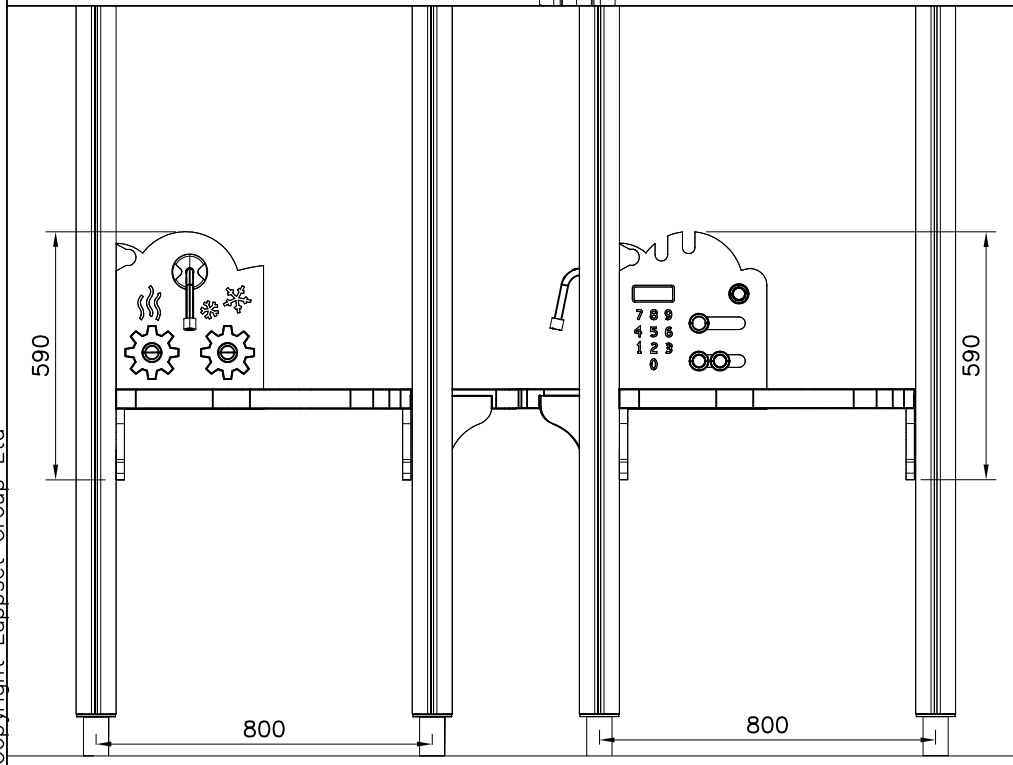
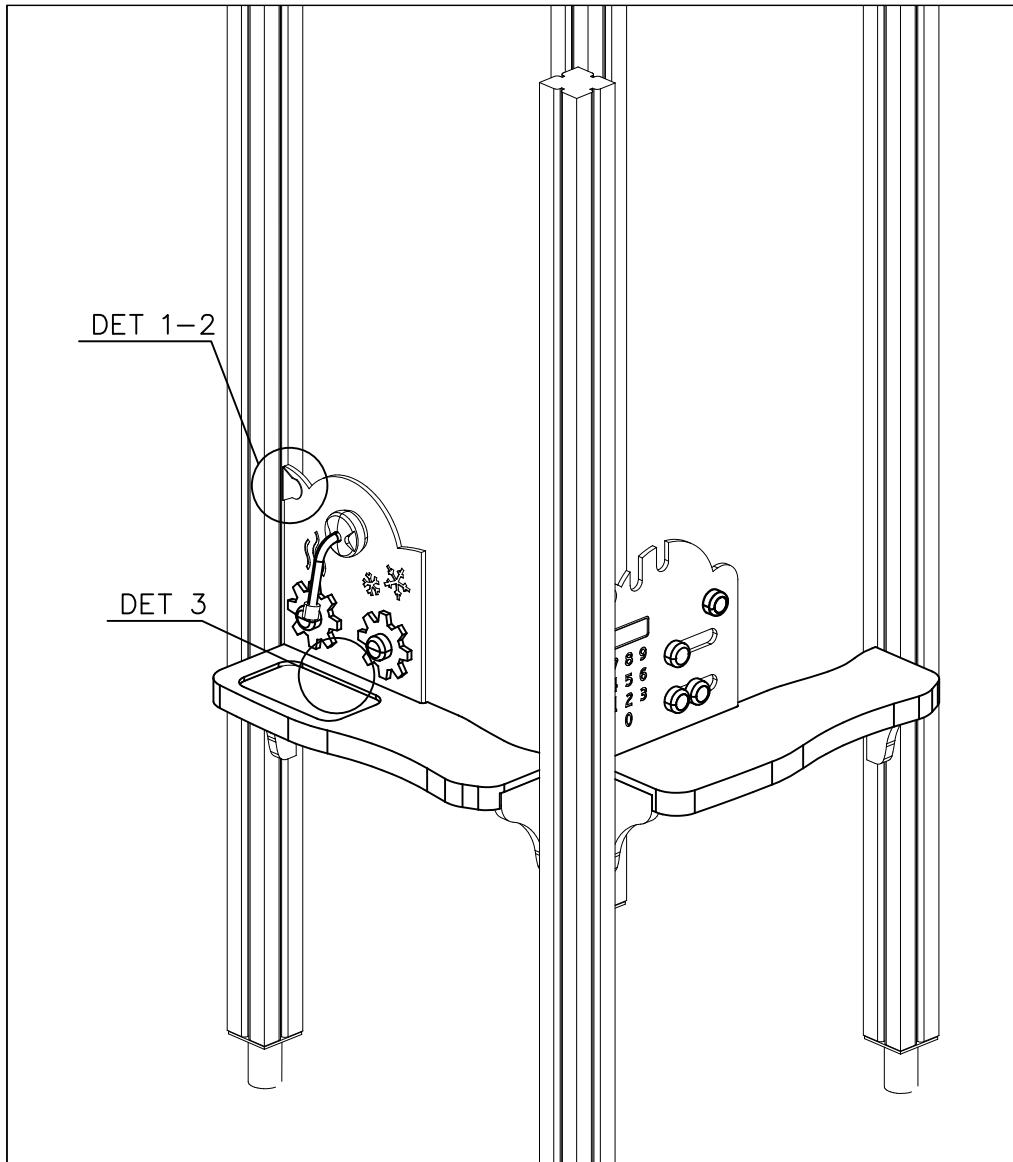


C

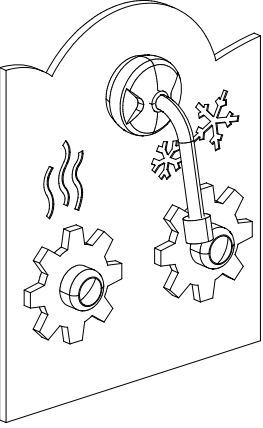
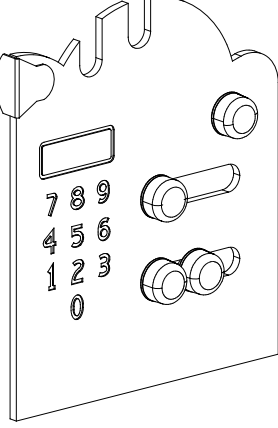
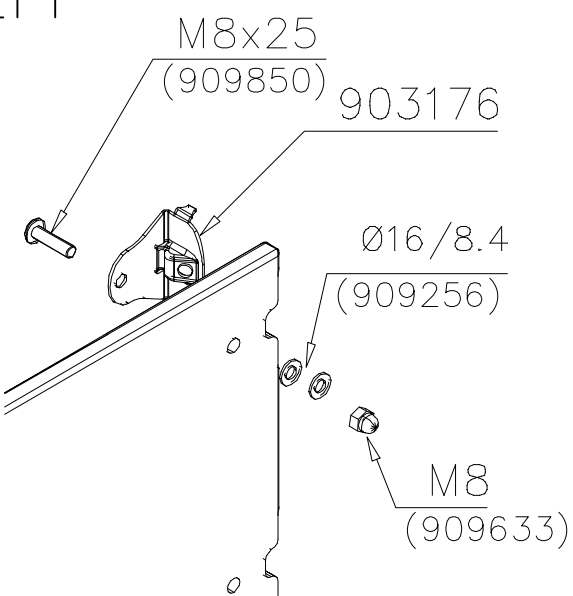
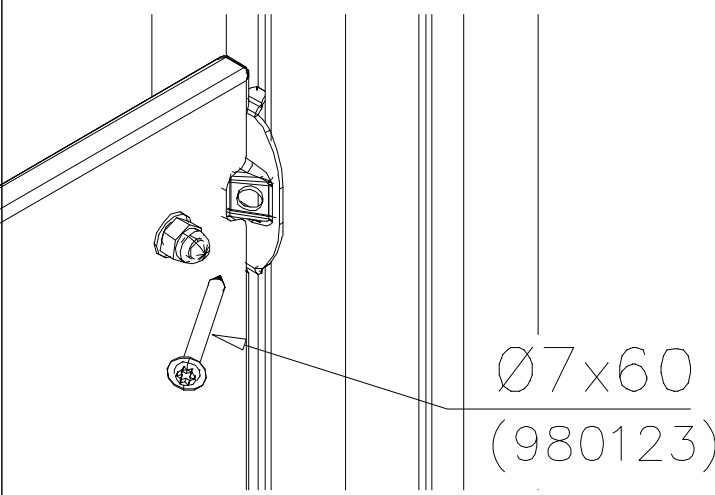
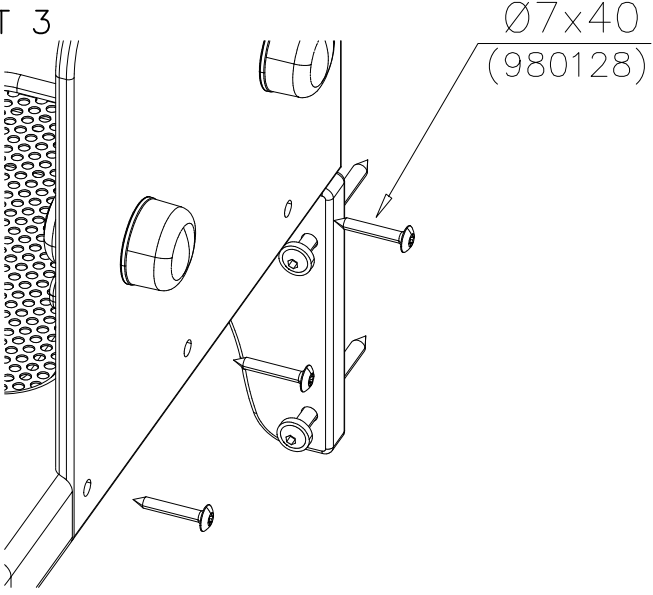
D







| | | | | | |
|---|--------|-----|---|---------|-----|
| ① | 903176 | PCS | ② | 909850 | PCS |
| | | 1 | | | 1 |
| | | | | M8x25 | |
| ③ | 980128 | PCS | ④ | 909256 | PCS |
| | | 3 | | | 2 |
| | Ø7x40 | | | Ø16/8.4 | |
| ⑤ | 909633 | PCS | ⑥ | 980123 | PCS |
| | | 1 | | | 1 |
| | M8 | | | Ø7x60 | |
| | | PCS | | | PCS |
| | | | | | |
| | | PCS | | | PCS |
| | | | | | |
| | | PCS | | | PCS |
| | | | | | |
| | | PCS | | | PCS |
| | | | | | |
| | | PCS | | | PCS |
| | | | | | |

| WALL OPTIONS | | WALL COLOR OPTIONS | |
|--|---|---|--|
| <p>709351*</p>  <p>10x351x423</p> | <p>709372*</p>  <p>10x351x423</p> | <p>–701 BLUE</p> <p>–702 YELLOW</p> <p>–703 LIME</p> <p>–704 DARK GREY</p> <p>–705 GREY</p> <p>–706 RED</p> <p>–707 GREEN</p> <p>–708 FUCHSIA</p> | |
| <p>DET 1</p>  | <p>DET 2</p>  | | |
| <p>DET 3</p>  | <p>*Note:</p> <p>Wall 709351 compatible only with table 709406</p> <p>Wall 709372 compatible only with table 709374</p> | | |

| | | | | | | | | | | | | |
|---|--|---|-----------------|-----------------|----------------|---------|----------------|---------|----------------|-------|----------------|---|
|  | | | | | | | | | | | | |
| <p>$h < 600$</p> <p>Without movement and therefore without Impact Area</p> | <p>Totally hard surfaces.</p> <p>Note. Lappset does <u>not recommend</u> totally hard surfaces at all.</p> | <p>E.g. concrete or asphalt</p>  | | | | | | | | | | |
| <p>$h < 600$</p> <p>With movement e.g. rocking</p> | <p>Materials with very limited impact attenuating properties.</p> | <p>E.g. wood</p>  | | | | | | | | | | |
| <p>$h < 1000$</p> | <p>Materials with significant impact attenuating properties.</p> | <p>fine gravel 0–8 mm</p>  <p>grass</p>  <p>unsorted sand</p>  | | | | | | | | | | |
| <p>$h < 3000$</p> | <p>Loose fill material</p> <p>E.g. sand/gravel 0,25...8 mm D60/D10<3,0 Woodchips 5...30 mm bark 20...80 mm</p> |  <table data-bbox="1021 1691 1332 1792"> <tr> <td>\underline{S}</td> <td>\underline{h}</td> </tr> <tr> <td>30 cm</td> <td>< 2,0 m</td> </tr> <tr> <td>40 cm</td> <td>< 3,0 m</td> </tr> </table> | \underline{S} | \underline{h} | 30 cm | < 2,0 m | 40 cm | < 3,0 m | | | | |
| \underline{S} | \underline{h} | | | | | | | | | | | |
| 30 cm | < 2,0 m | | | | | | | | | | | |
| 40 cm | < 3,0 m | | | | | | | | | | | |
| | <p>Syntethic granulates</p> <table data-bbox="406 1892 758 2060"> <tr> <td>\underline{S}</td> <td>\underline{h}</td> </tr> <tr> <td>40 mm</td> <td>~> 1,2...1,3 m</td> </tr> <tr> <td>50 mm</td> <td>~> 1,5...1,7 m</td> </tr> <tr> <td>60 mm</td> <td>~> 1,8...2,0 m</td> </tr> <tr> <td>70 mm</td> <td>~> 2,1...2,5 m</td> </tr> </table> <p>Note. For accurate values, see manufacturer's instructions.</p> | \underline{S} | \underline{h} | 40 mm | ~> 1,2...1,3 m | 50 mm | ~> 1,5...1,7 m | 60 mm | ~> 1,8...2,0 m | 70 mm | ~> 2,1...2,5 m |  |
| \underline{S} | \underline{h} | | | | | | | | | | | |
| 40 mm | ~> 1,2...1,3 m | | | | | | | | | | | |
| 50 mm | ~> 1,5...1,7 m | | | | | | | | | | | |
| 60 mm | ~> 1,8...2,0 m | | | | | | | | | | | |
| 70 mm | ~> 2,1...2,5 m | | | | | | | | | | | |

REMOVE SAFETY SURFACE/SAND/GRAVEL
TO CHECK FOUNDATION



REMOVE SAFETY SURFACE/SAND/GRAVEL
TO CHECK FOUNDATION





LAPPSET®
BETON FOUNDATION

FOOT

DATE: 27.10.2015

1(1)

| | | | |
|--|-----|--|-----|
| ② 905104 | PCS | | PCS |
| | 4 | | |
|  M10 | PCS | | PCS |
| | | | |



905104

LAPPSET® DEEP FOUNDATION

FOOT

DATE: 15.5.2018

1(1)



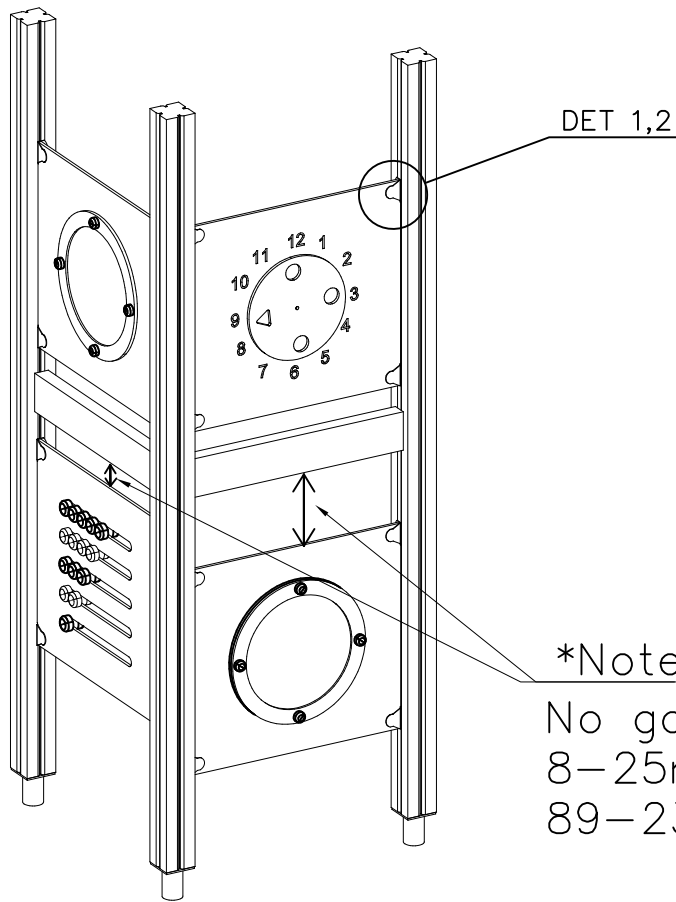
| | | | | | |
|---|-----------|-----|---|------------|-----|
| ① | 909511 | PCS | ② | 909519 | PCS |
| | | 1 | | | 1 |
| | 90x90x650 | | | 50x380x380 | |

| | | | | | |
|---|--------|-----|---|----------|-----|
| ③ | 909637 | PCS | ④ | 909638 | PCS |
| | | 4 | | | 8 |
| | M10 | | | Ø20/10.5 | |

| | | | | | |
|---|--------|-----|---|--------|-----|
| ⑤ | 909639 | PCS | ⑥ | 905104 | PCS |
| | | 4 | | | 4 |
| | M10x25 | | | M10 | |

OPTION FOOT

| | | | | | |
|---|-----------|-----|--|--|-----|
| ① | 911155 | PCS | | | PCS |
| | | 1 | | | |
| | 90x90x650 | | | | |



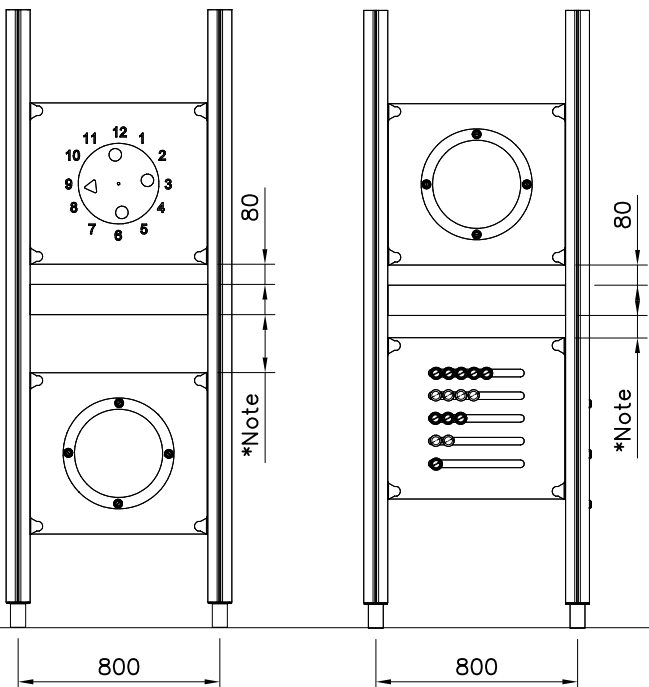
| | | | |
|-------------|-----|----------|-----|
| ① 903176 | PCS | ② 909850 | PCS |
| | 4 | | 4 |
| | | M8x25 | |
| ③ 909256 | PCS | ④ 909633 | PCS |
| | 8 | | 4 |
| Ø16/8.4x1.6 | | M8 | |
| ⑤ 980123 | PCS | | PCS |
| | 4 | | |
| Ø7x60 | | | |

*Note:

No gaps between:
8–25mm
89–230mm

COLOR OPTIONS

- 701 BLUE
- 702 YELLOW
- 703 LIME
- 704 DARK GRAY
- 705 LIGHT GRAY
- 706 RED
- 707 GREEN
- 708 FUXIA



GAME WALL OPTIONS

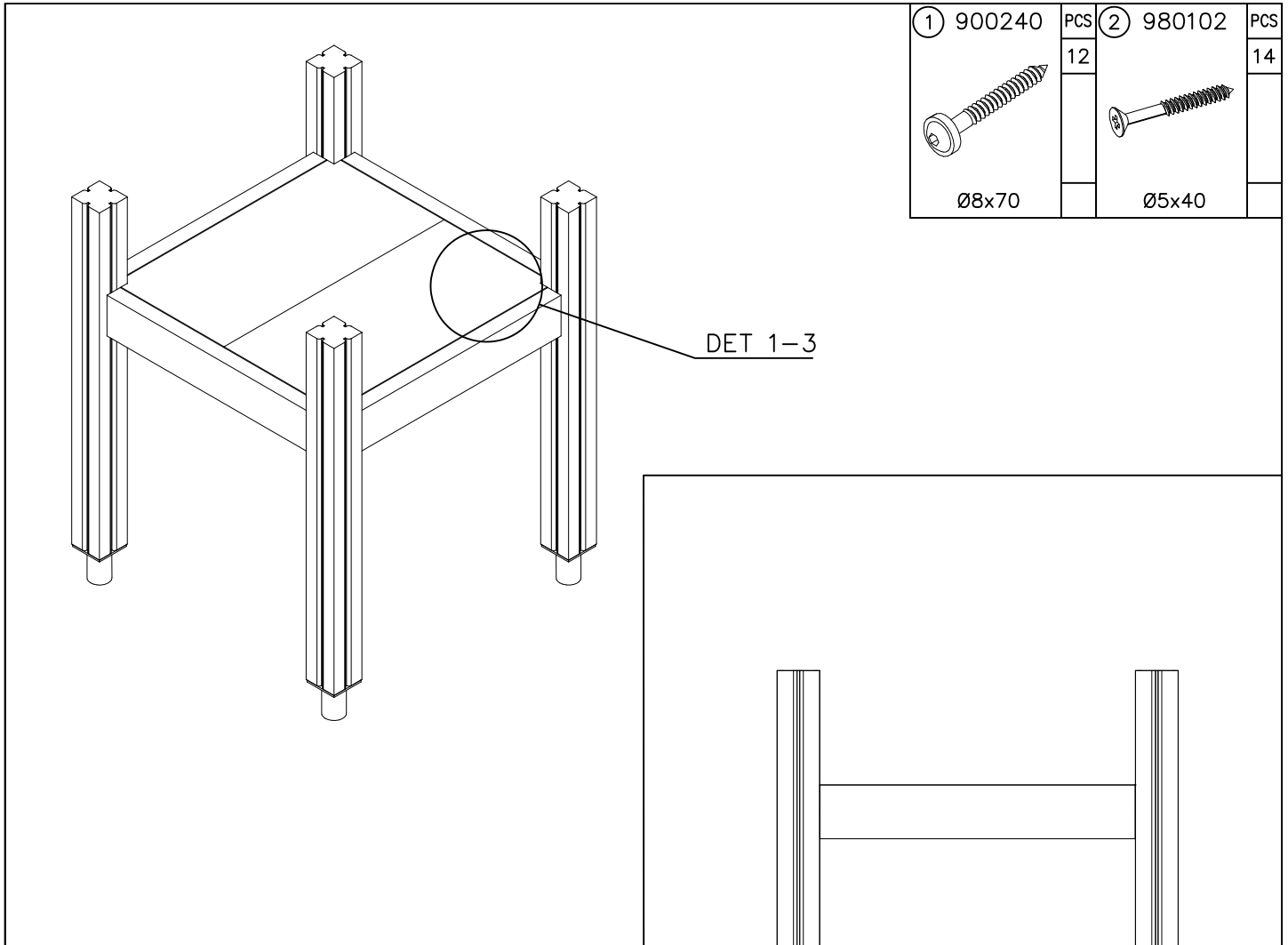
| | | | |
|---|---|--|--|
| 706766 | 706772 | 706308 | 707453 |
|  |  |  |  |
| 640x702 | 640x702 | 640x702 | 640x702 |
| 707209 | 705705 | 707433 | 707386 |
|  |  |  |  |
| 640x702 | 640x702 | 640x702 | 640x702 |
| 709403 | 709358 | 709405 | |
|  |  |  | |
| 640x702 | 640x702 | 420x702 | |

DET 1

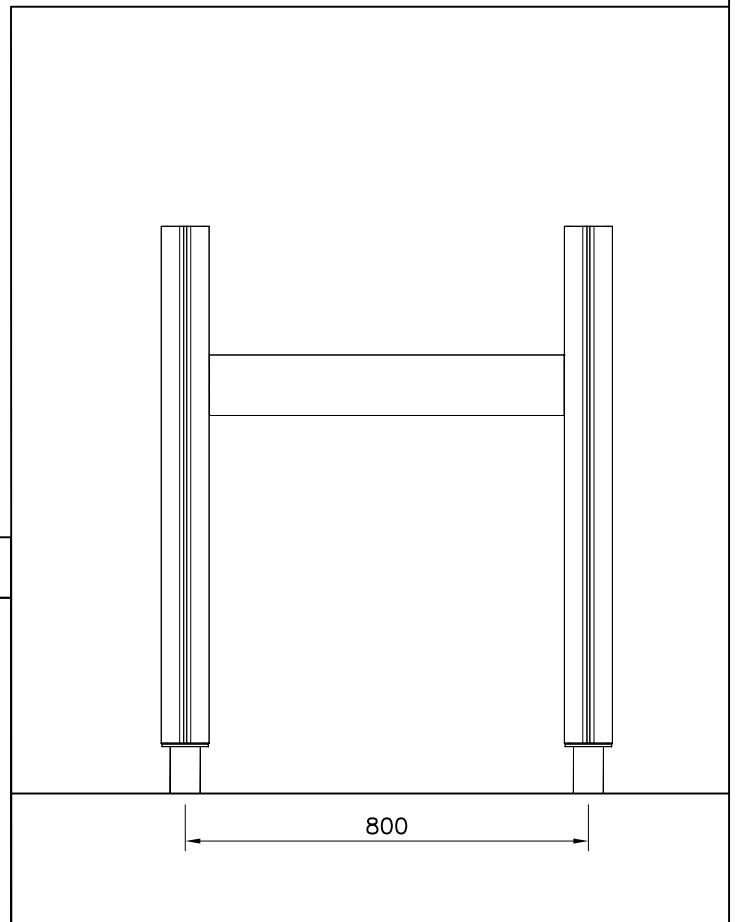


DET 2





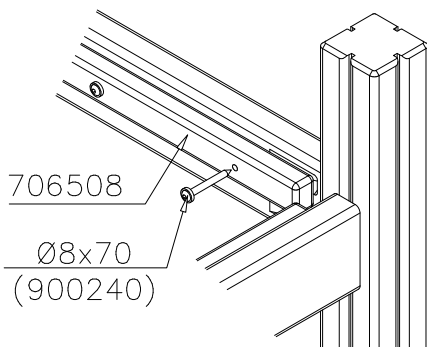
| | | | |
|----------|-----|----------|-----|
| ① 900240 | PCS | ② 980102 | PCS |
| | 12 | | 14 |
| Ø8x70 | | Ø5x40 | |



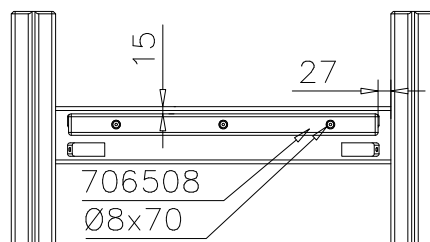
FLOOR OPTIONS

| | | |
|----------------|------------|------------|
| 15x375x750 | 707327-701 | BLUE |
| | 707327-702 | YELLOW |
| | 707327-703 | LIME |
| | 707327-704 | DARK GRAY |
| | 707327-705 | LIGHT GRAY |
| | 707327-706 | RED |
| | 707327-707 | GREEN |
| | 707327-708 | FUXIA |

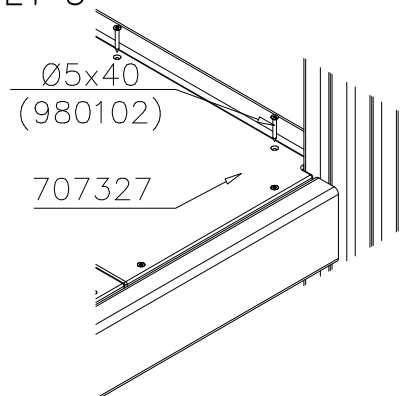
DET 1

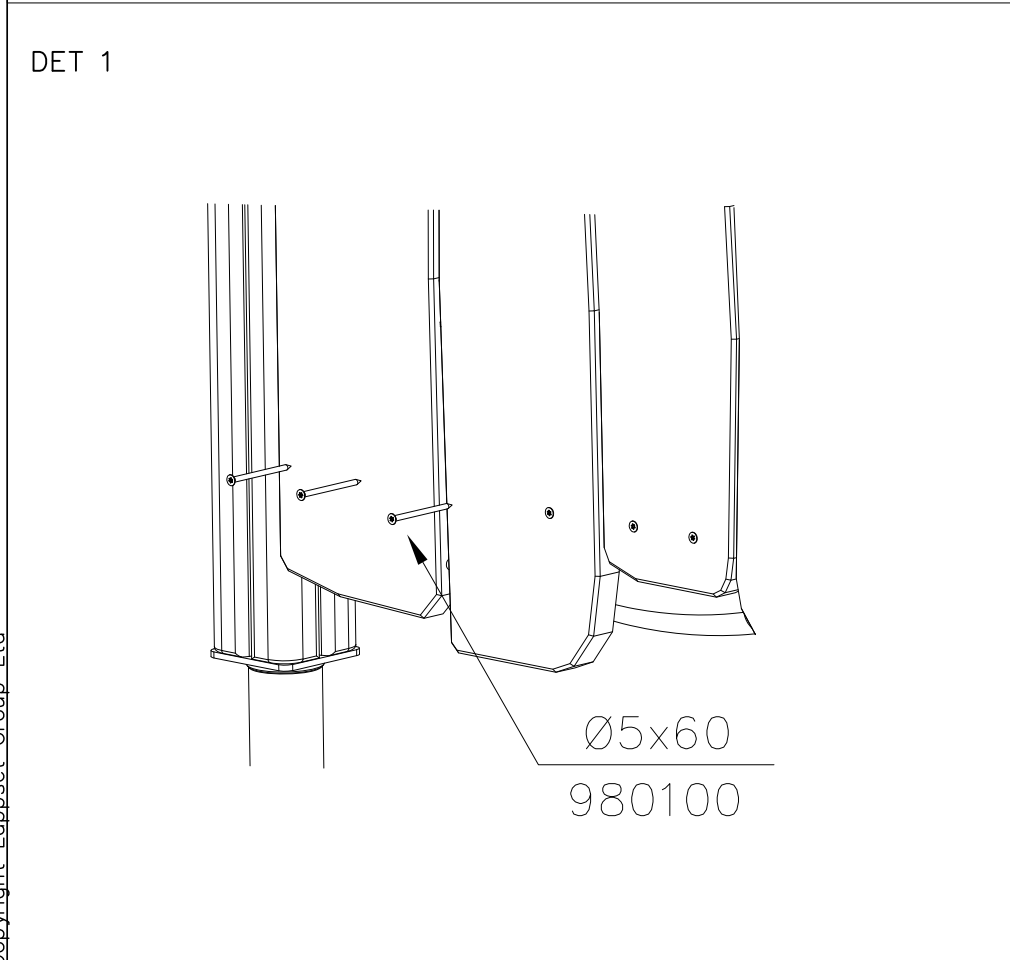
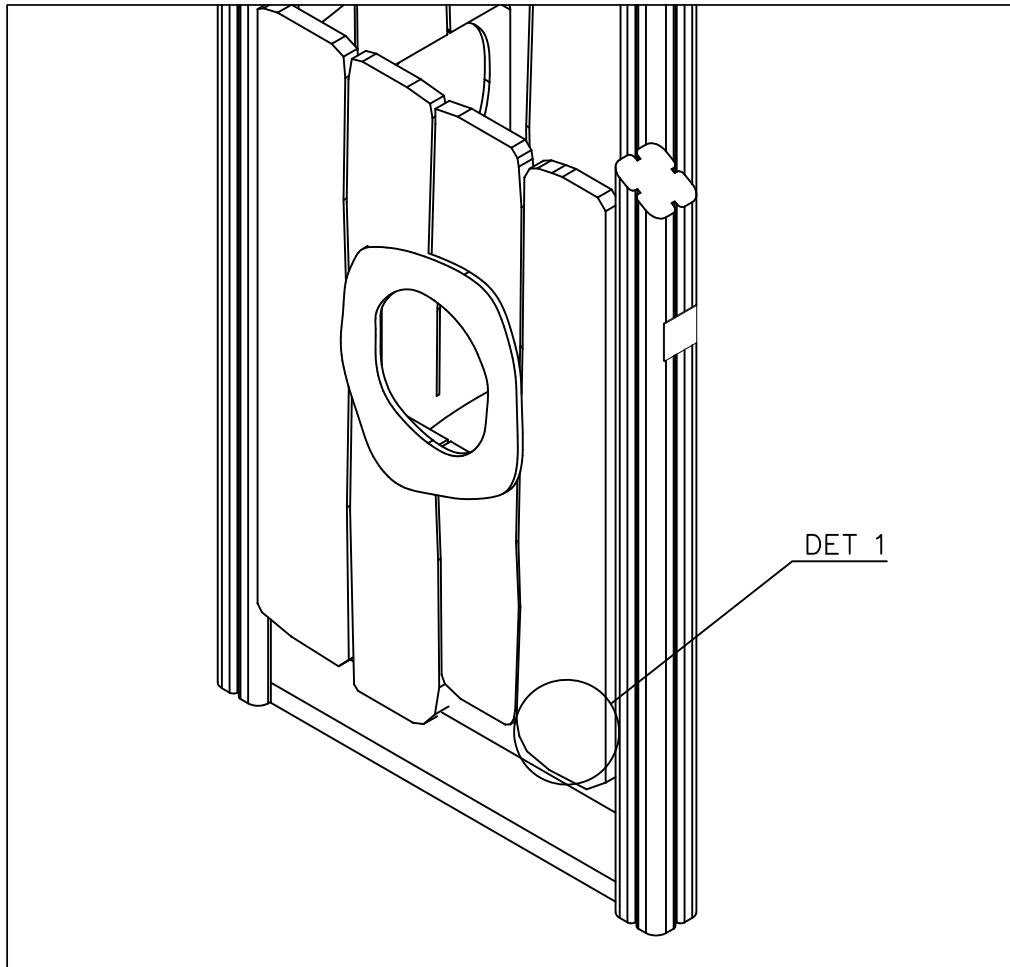


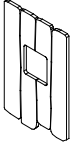

DET 2

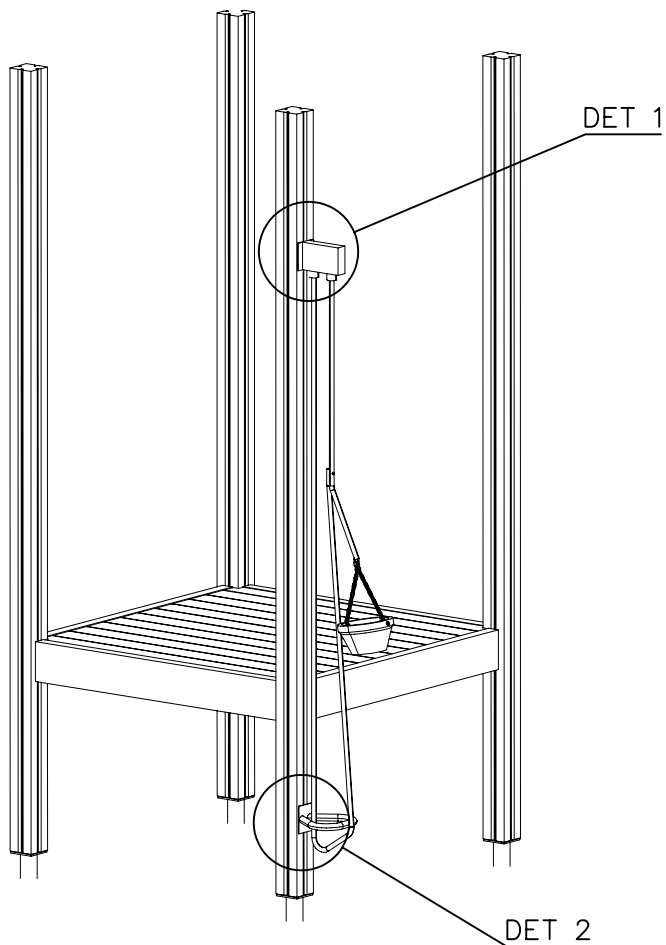


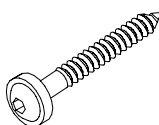

DET 3

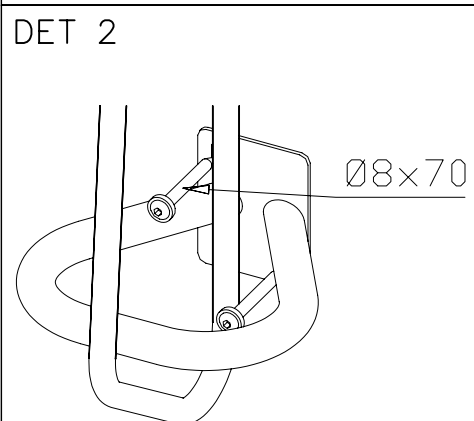
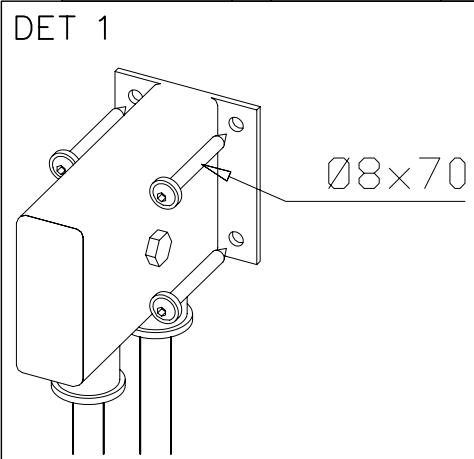
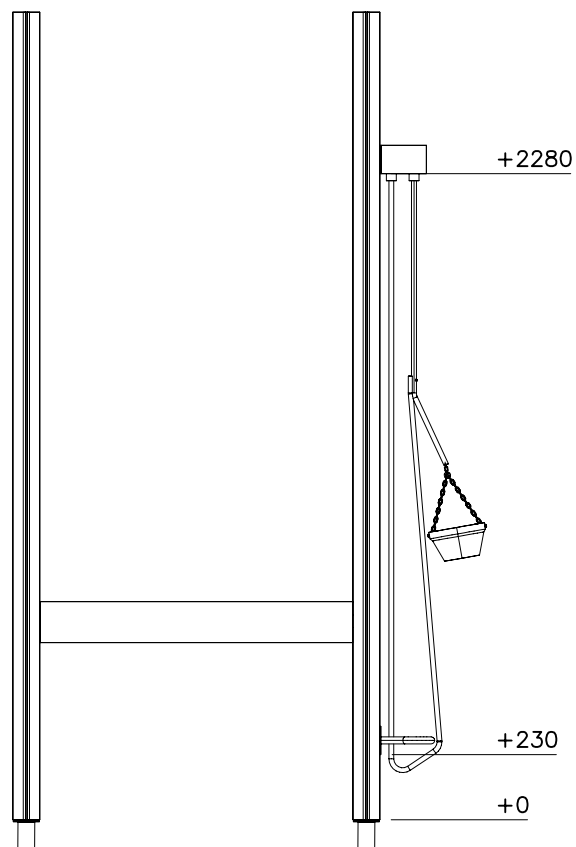


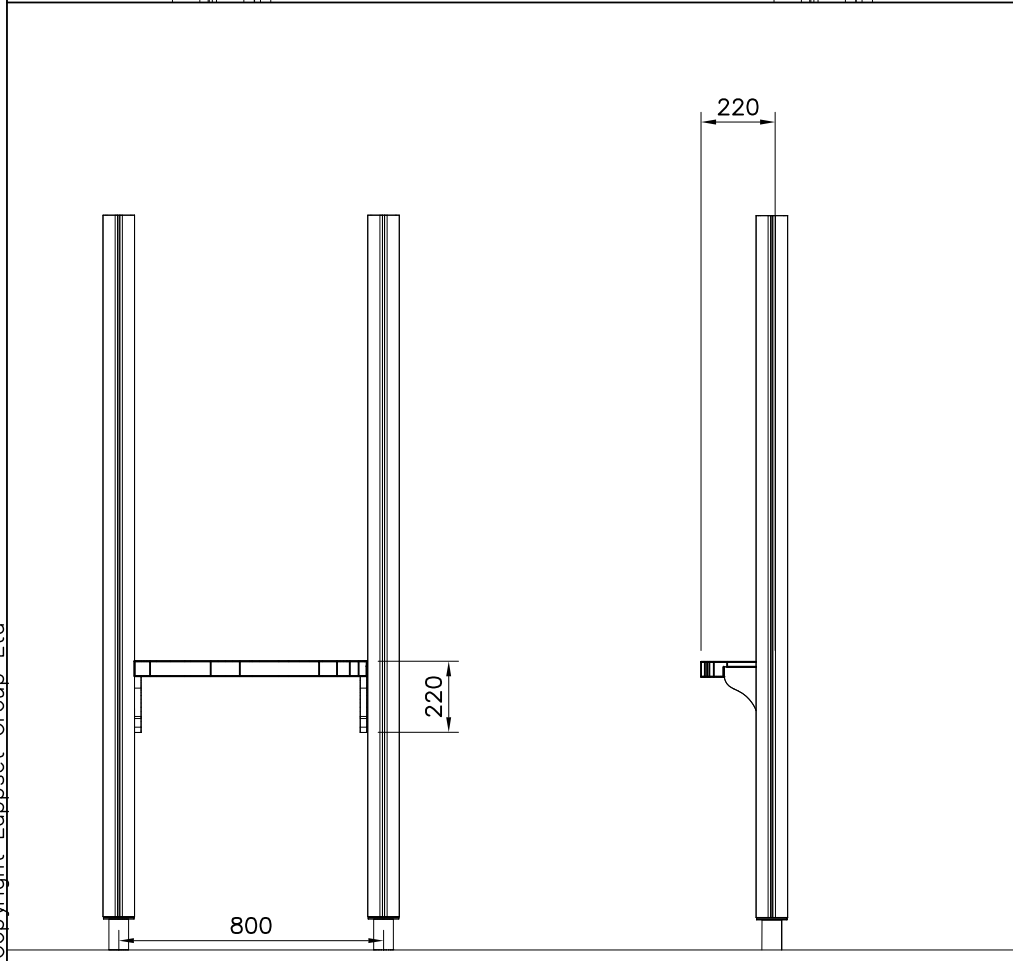
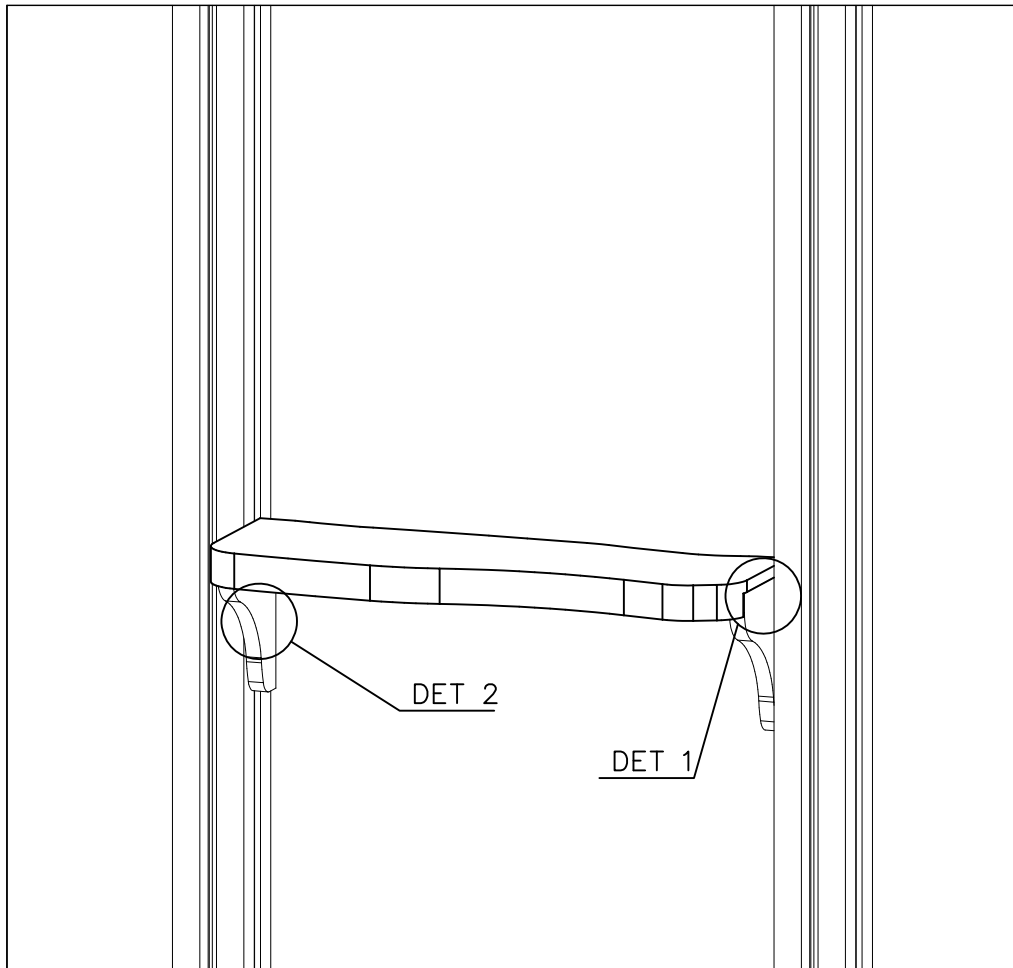


| | | | |
|---|-----|---|-----|
| ① 708595 | PCS | ② 980100 | PCS |
|  | 1 |  | 16 |
| 700x1100 | | Ø5x60 | |
| | PCS | | PCS |
| | | | |
| | PCS | | PCS |
| | | | |
| | PCS | | PCS |
| | | | |
| | PCS | | PCS |
| | | | |
| | PCS | | PCS |
| | | | |
| | PCS | | PCS |
| | | | |
| | PCS | | PCS |
| | | | |



| | | | |
|---|-----|---|-----|
| ① 900240 | PCS | ② 902199 | PCS |
|  | 6 |  | 1 |
| Ø8x70 | | 2214x373 | |
| | PCS | | PCS |
| | | | |
| | PCS | | PCS |
| | | | |
| | PCS | | PCS |
| | | | |






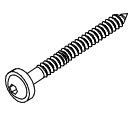
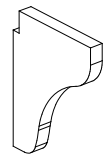
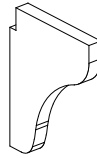
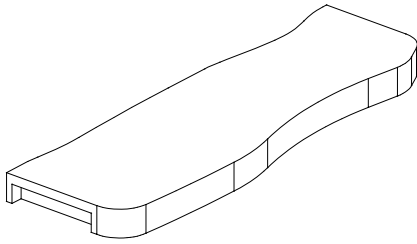
| | | | |
|---|-----|---|-----|
| ① 980128 | PCS | ② 903093 | PCS |
|  | 4 |  | 6 |
| Ø7x40 | | Ø8x90 | |
| | PCS | | PCS |
| | | | |
| | PCS | | PCS |
| | | | |
| | PCS | | PCS |
| | | | |
| | PCS | | PCS |
| | | | |
| | PCS | | PCS |
| | | | |
| ○ 709350 | PCS | ○ 709400 | PCS |
|  | 1 |  | 1 |
| 20x154x200 | | 20x154x200 | |

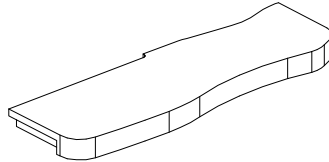
TABLE OPTIONS

709375



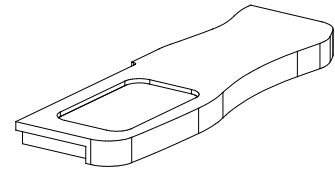
45x224x702

709374*



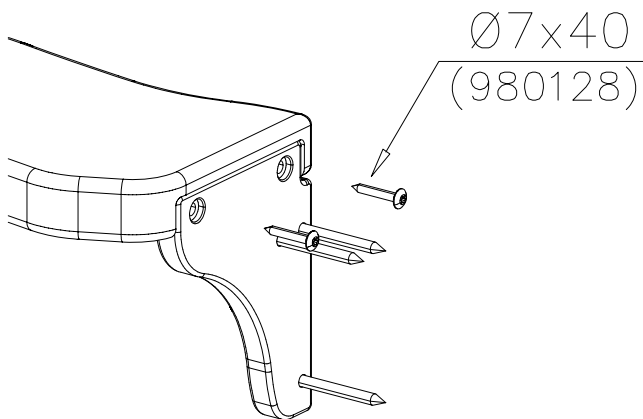
45x224x702

709406*

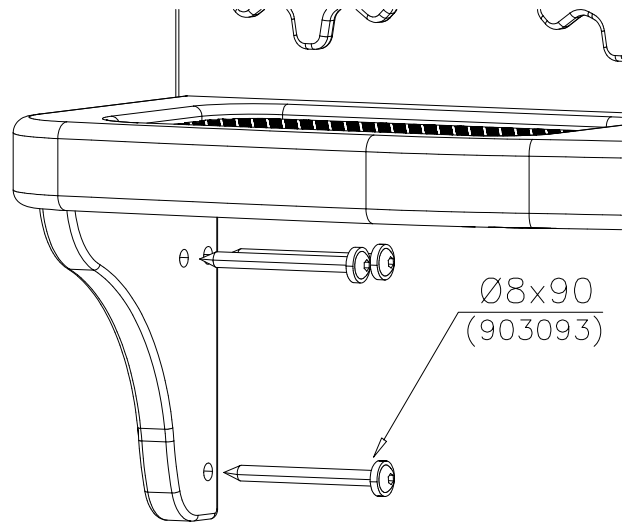


45x224x702

DET 1



DET 2



*Note:

Table 709406 compatible
 only with
 wall 709351

Table 709374 compatible
 only with
 wall 709372



Tuotekyltti tulee tuotteen mukana yhdellä seuraavista tavoista:

1) Metallinen tuotekyltti ja kiinnitysruuvit

- Kiinnitä tuotekyltti ruuveilla tolppaan noin 2 metrin korkeuteen kuvan 1 mukaisesti.

2) Tuotekyltitarra

- Puhdista maalattu metalli- tai vaneripinta pölystä ja kosteudesta. Liimaa tarra kuvan 2 mukaisesti.
- Huom. Älä kiinnitä tarraa karheapintaiseen laminaattiin tai maalattuun puuhun.

Vår produktmärkning levereras på ett av följande sätt:

1) Produktskylt i metall

- Fäst skylten med de medföljande skruvarna

2) Självhäftande produktetikett

- Rengör den pulverlackerade metallytan eller laminatyten så att den blir fri från smuts och fukt. Fäst etiketten enligt fig. 2.
- Obs! Fäst ej etiketten på detaljer med skrovlig yta eller på målat trä.

Product label is delivered by one of following ways:

1) Metal product label and screws

- Fasten the label with screws.

2) Label sticker

- Clean the painted metal or plywood surface from dirt and moisture. Fasten the sticker as shown in the figure 2.
- Note. Do not attach the sticker to rough surfaced laminate or painted wood.

La plaque d'informations produit est livrée sous l'une de ces 3 formes :

1) Plaque métallique et vis

- Fixez la plaque à l'aide des vis.

2) Etiquette autocollante

- Avant de coller l'étiquette, nettoyez le composant métallique peint ou la plaque de contreplaqué, de toute saleté. La surface doit être sèche (voir image 2).
- Attention, ne pas coller l'étiquette sur une surface lamellé-collée irrégulière ou sur du bois peint.

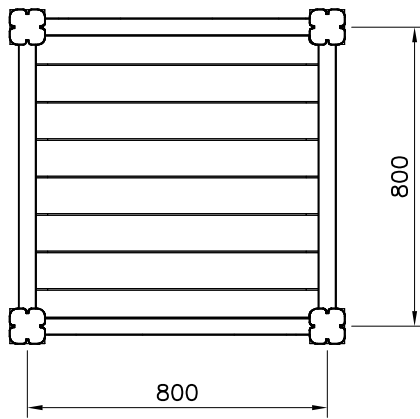
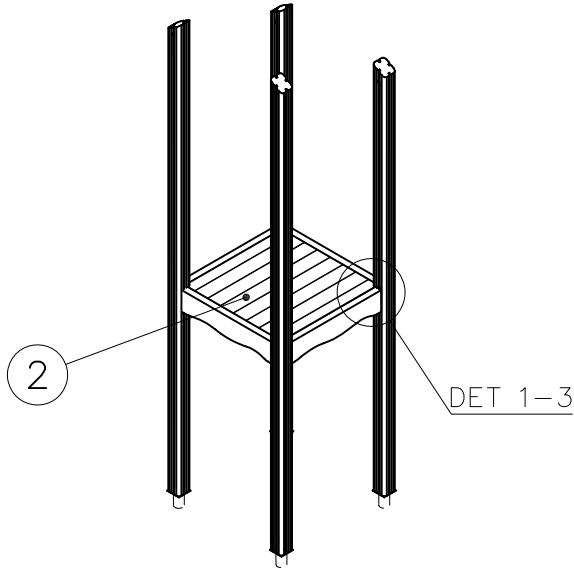
Die Auslieferung des Produktaufklebers erfolgt auf eine dieser Arten:

1) Produkt-Schild aus Metall incl. Schrauben

- Die Befestigung des Schildes erfolgt mittels der Schrauben.

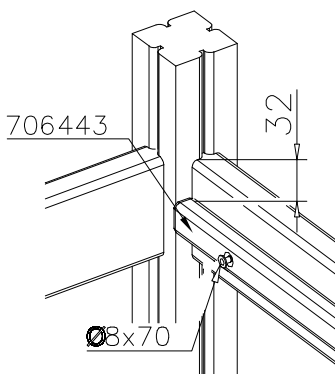
2) Aufkleber

- Entfernen Sie zunächst Schmutz und Feuchtigkeit vom lackierten Metall bzw. von der Holzoberfläche und bringen Sie den Aufkleber wie im Bild oben rechts beschrieben auf den gesäuberten Untergrund auf.
- Beachten Sie: Bringen Sie den Aufkleber nicht auf raues laminiertes oder lackiertes Holz an.

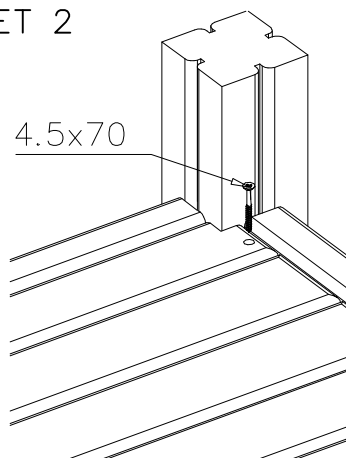


| | | | |
|-----------|-----|------------|-----|
| ① 706443 | PCS | ② 705257 | PCS |
| | 2 | | 1 |
| 32x45x702 | | 32x750x750 | |
| ③ 900240 | PCS | ④ 980101 | PCS |
| | 6 | | 8 |
| Ø8x70 | | Ø4.5x70 | |
| | PCS | | PCS |
| | | | |
| | PCS | | PCS |
| | | | |

DET 1



DET 2



DET 3

