

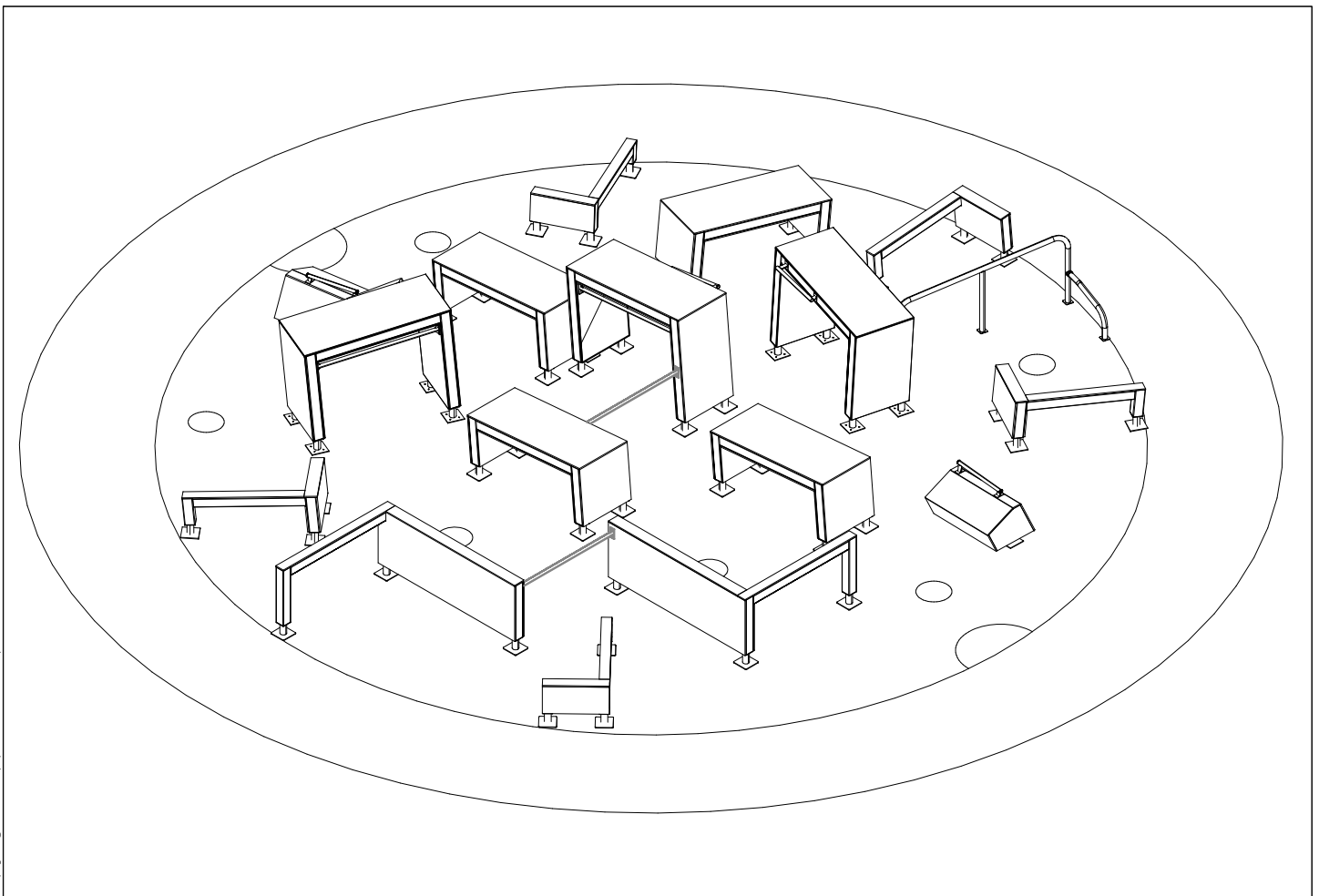
LAPPSET®

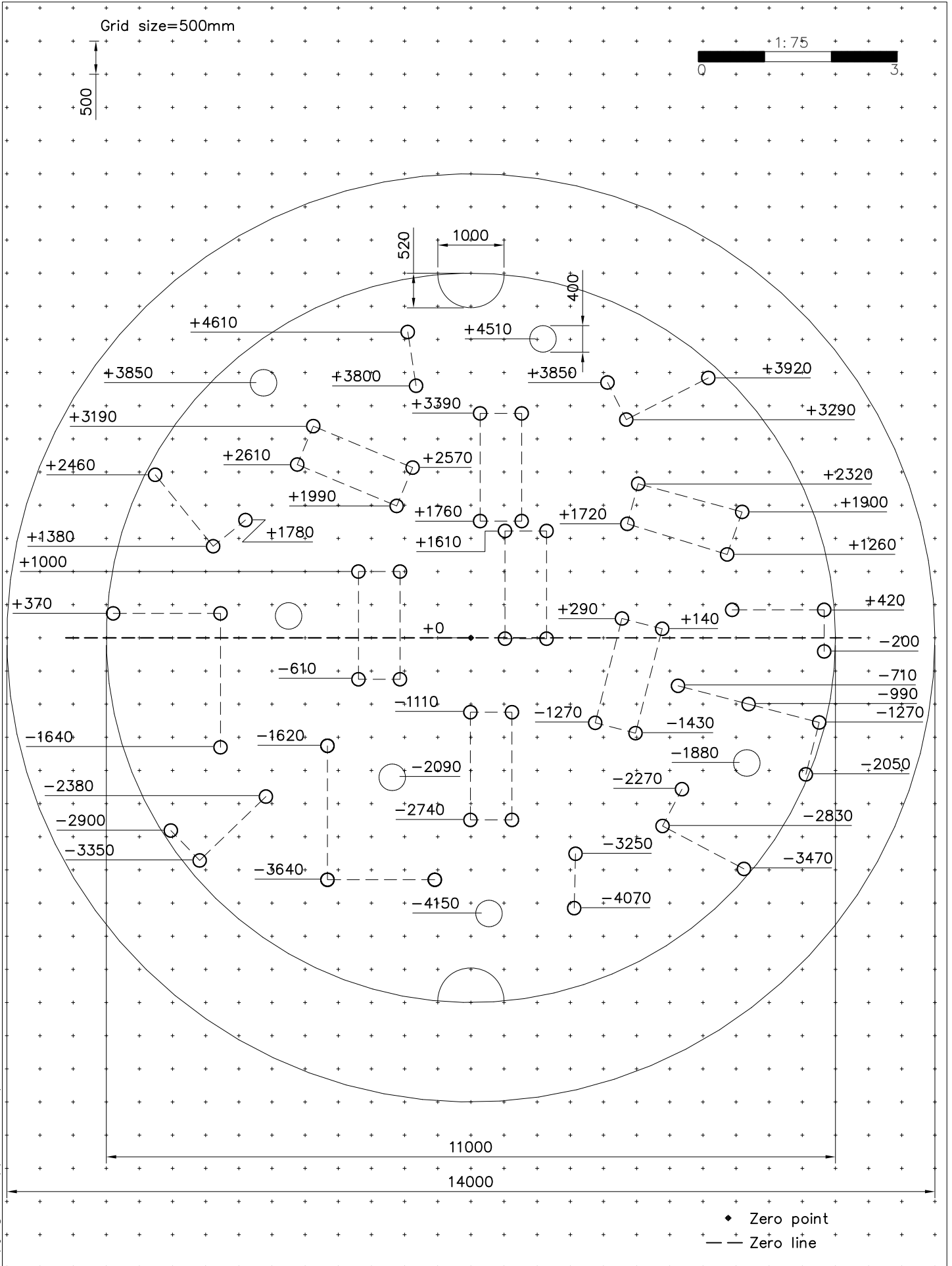
DASH PARKOUR

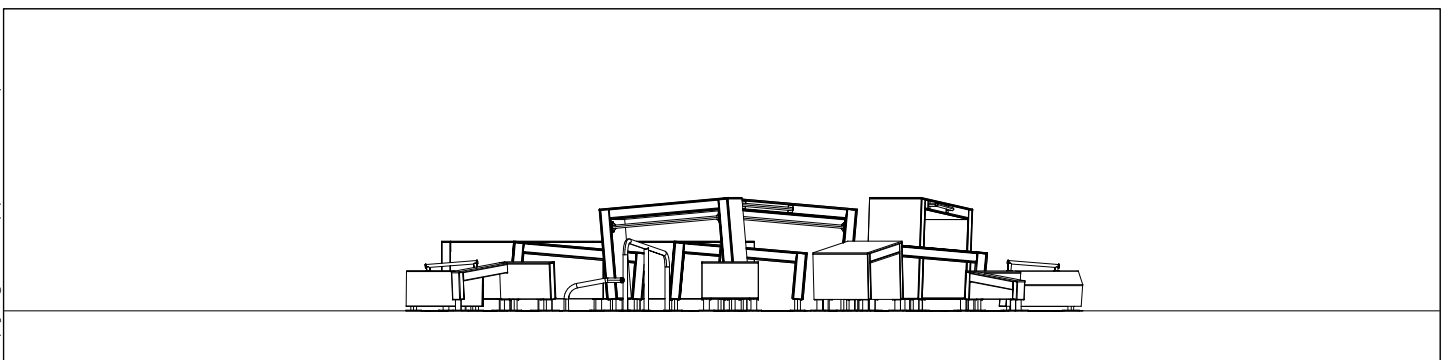
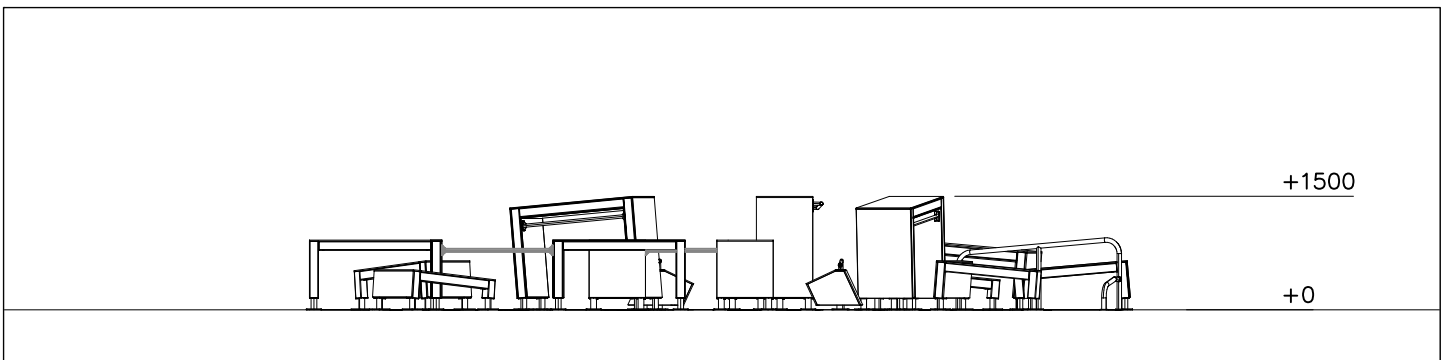
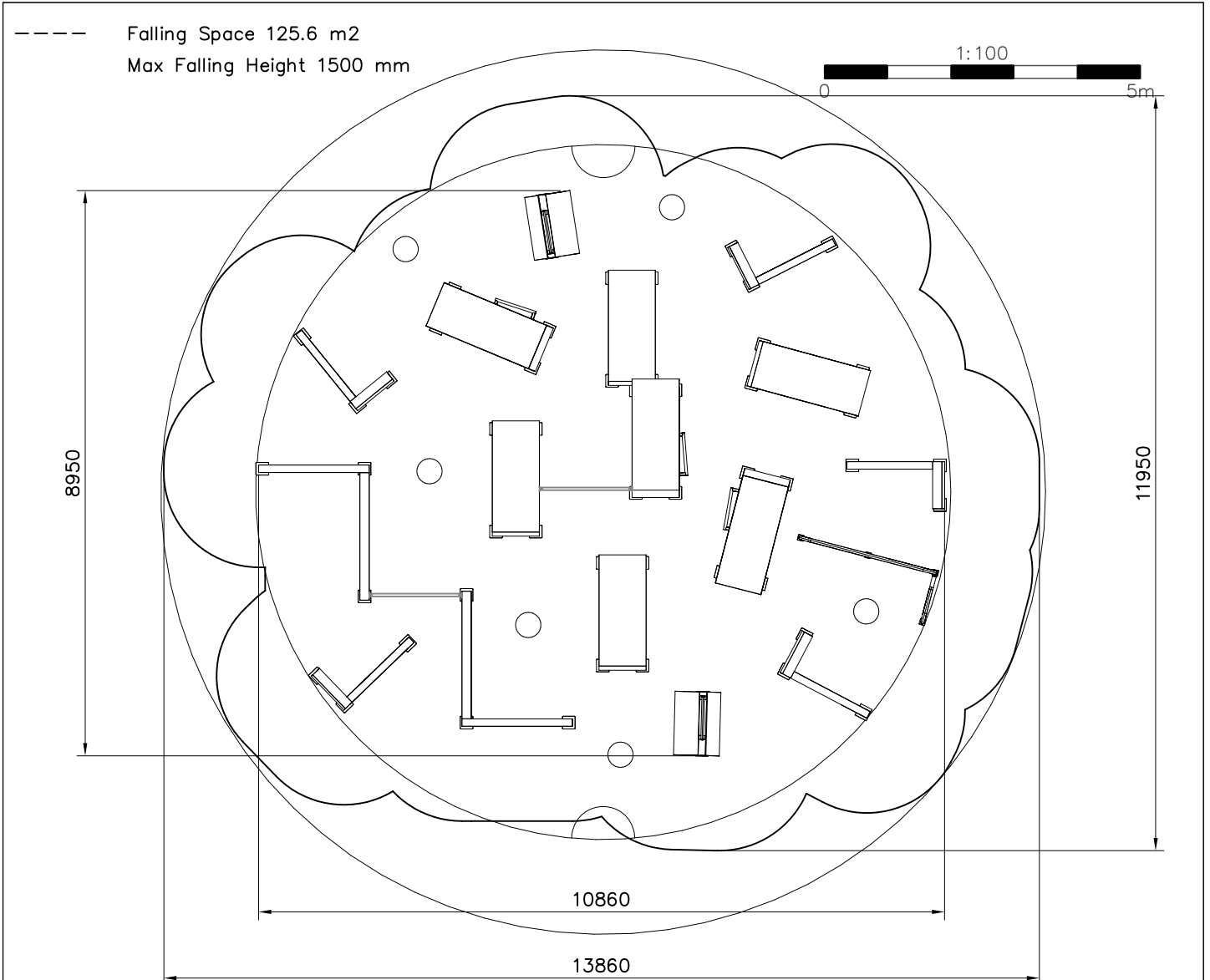
ASENNUSOHJE
MONTERINGSANSVISNING
INSTALLATION INSTRUCTION
AUFBAUANLEITUNG
NOTICE D'INSTALLATION

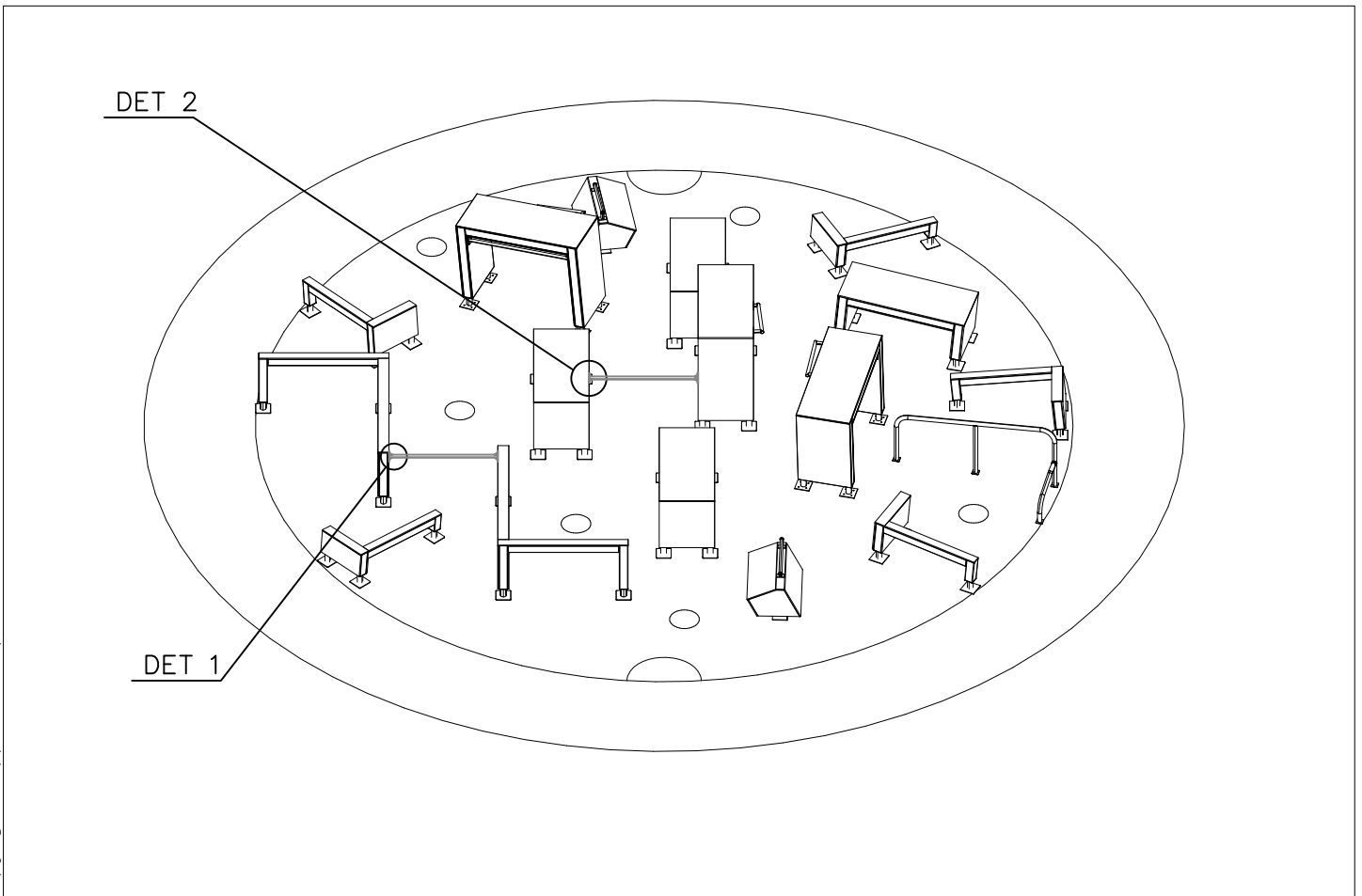
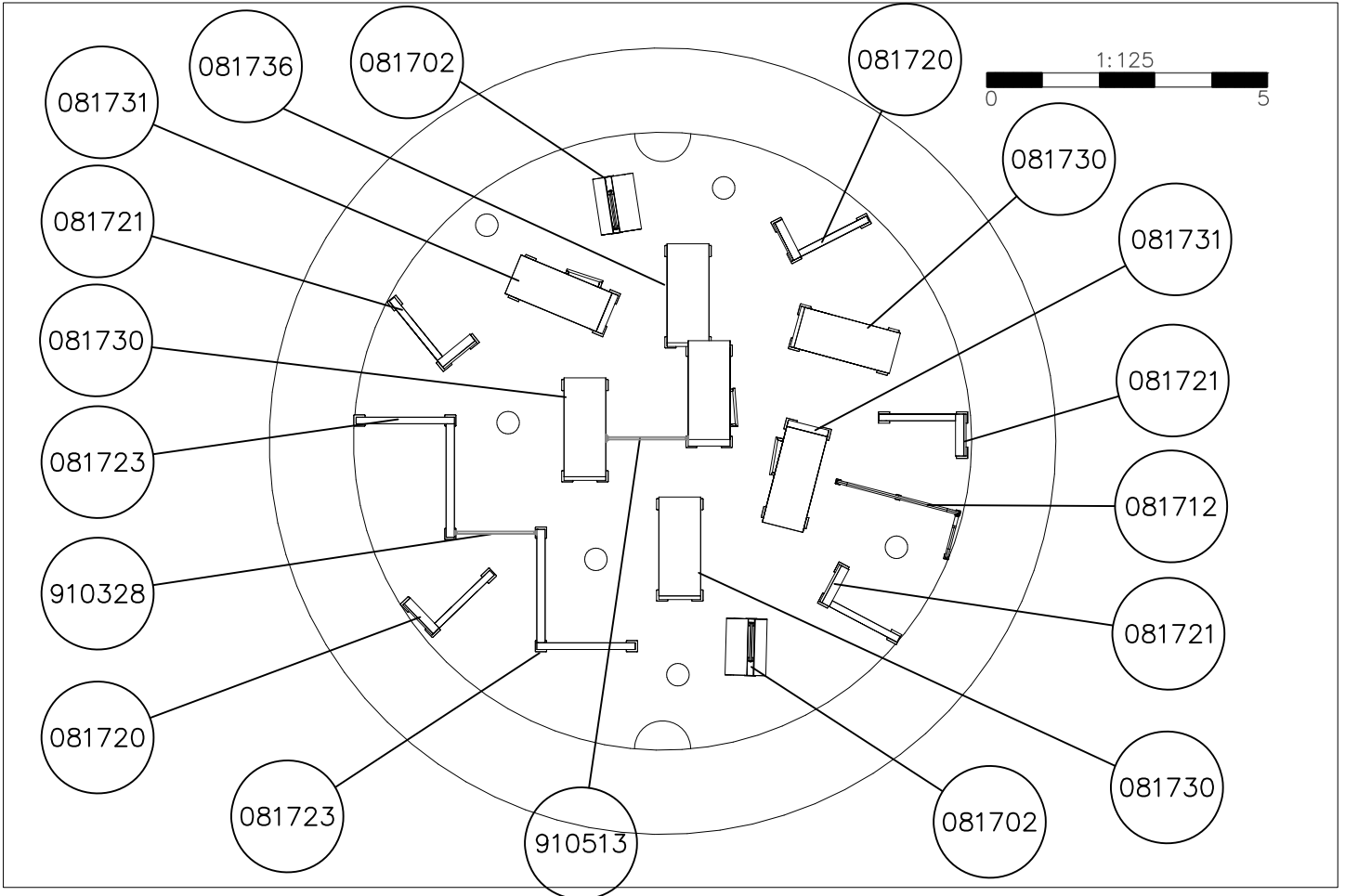
DATE: 8.9.2020

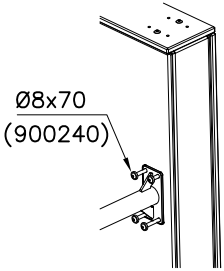
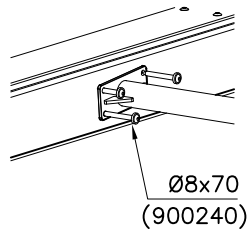
081790M

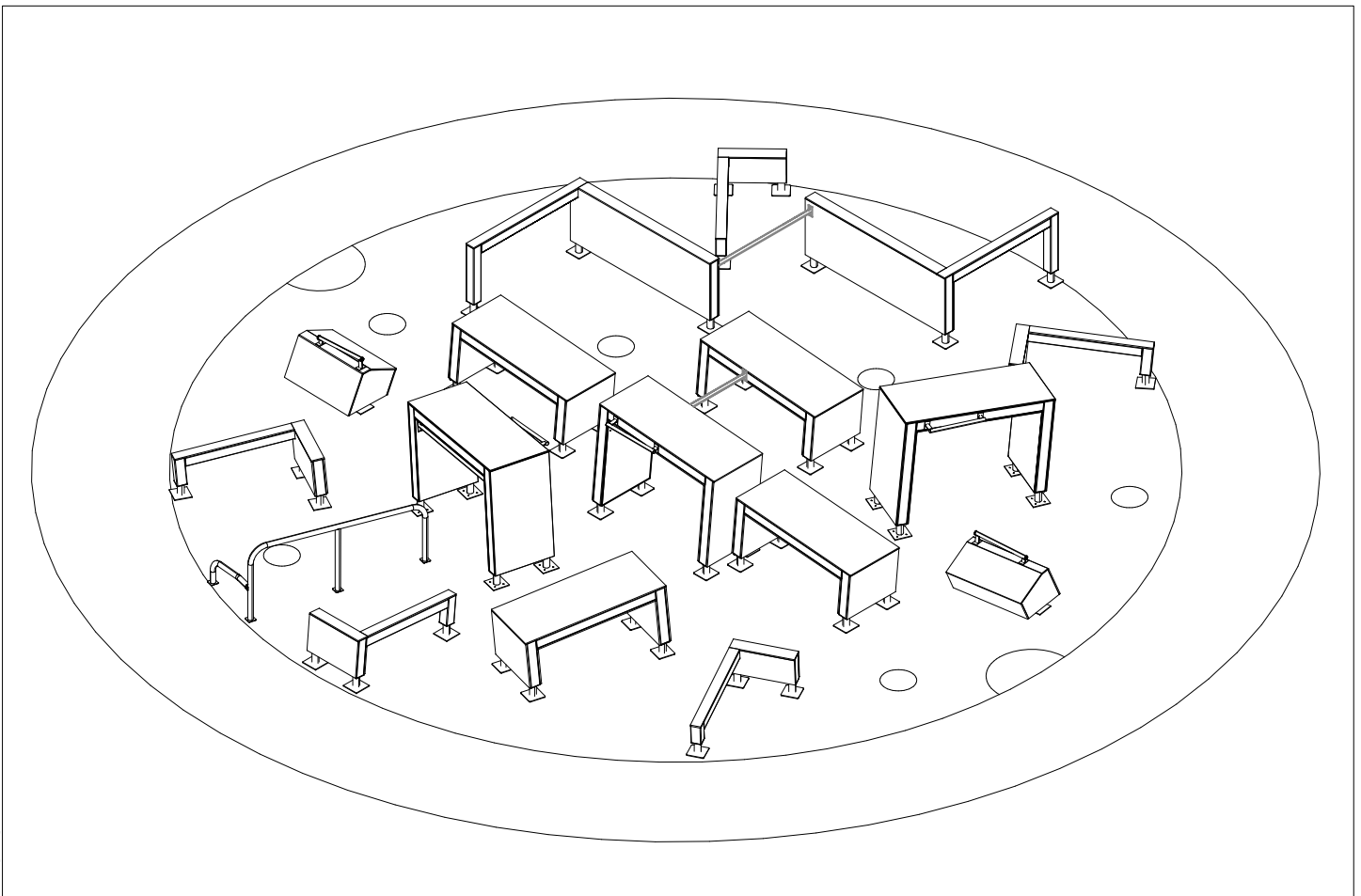
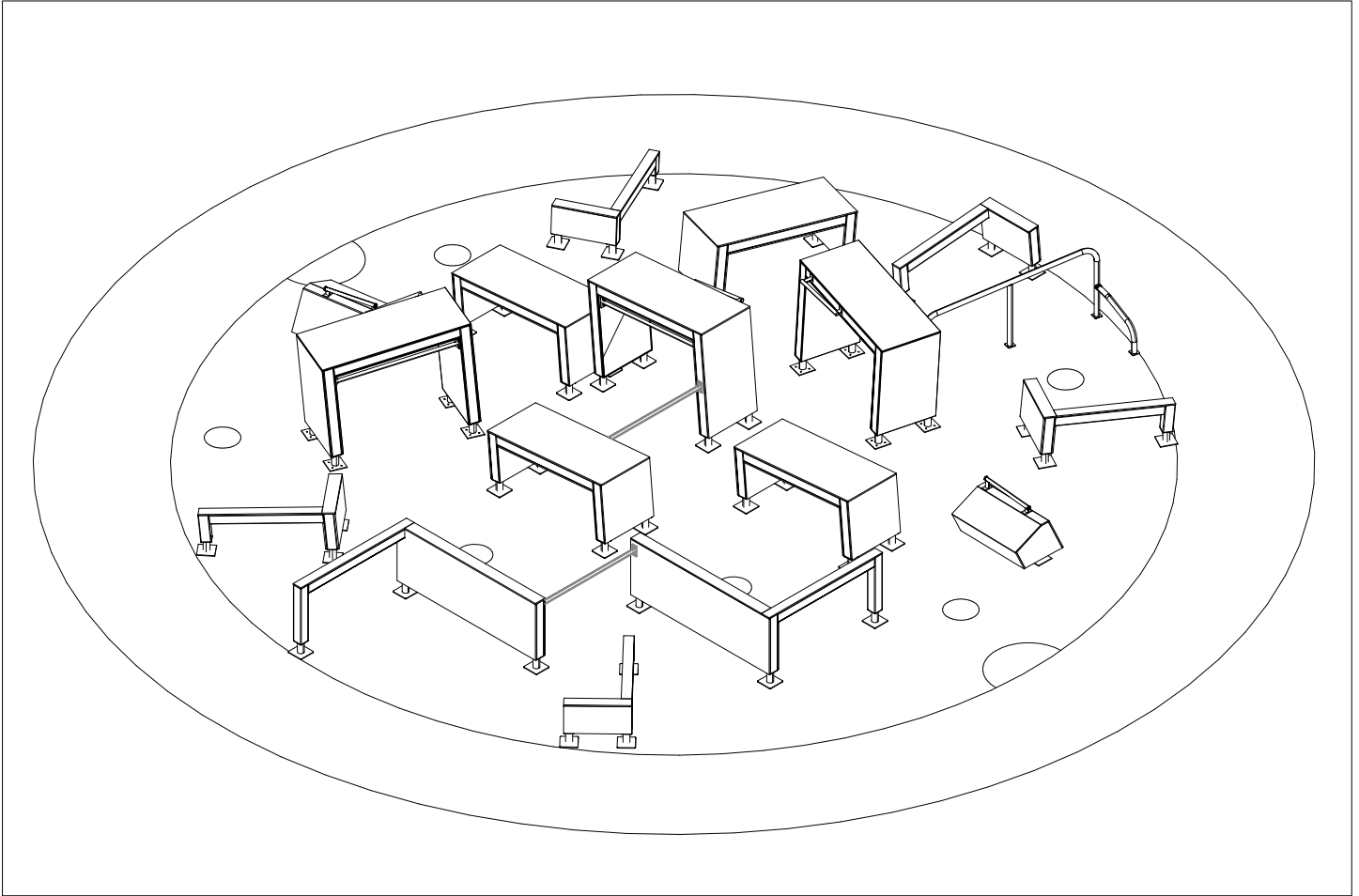


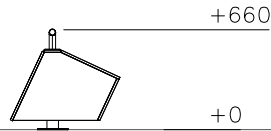
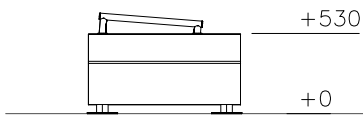
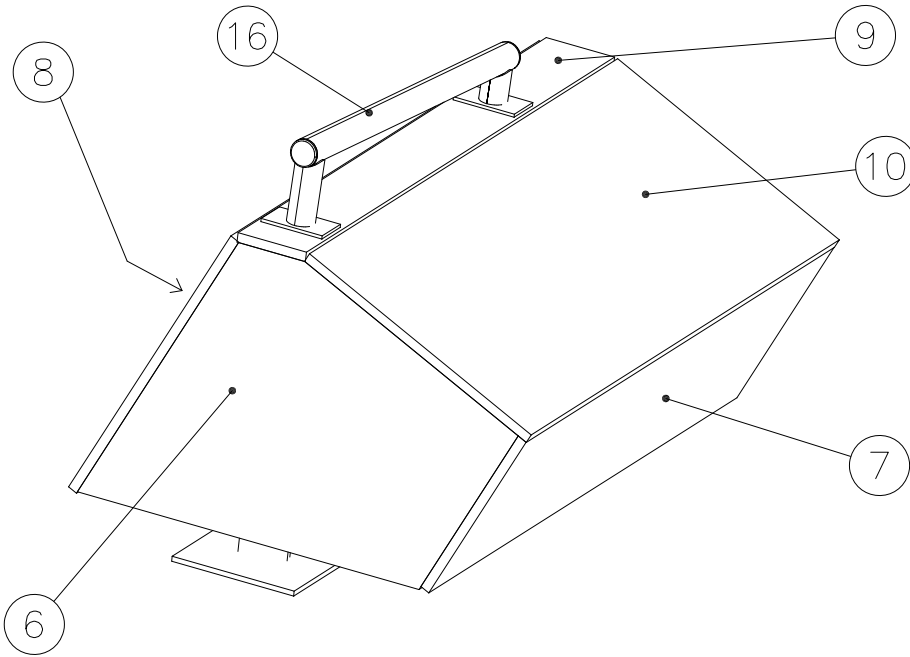




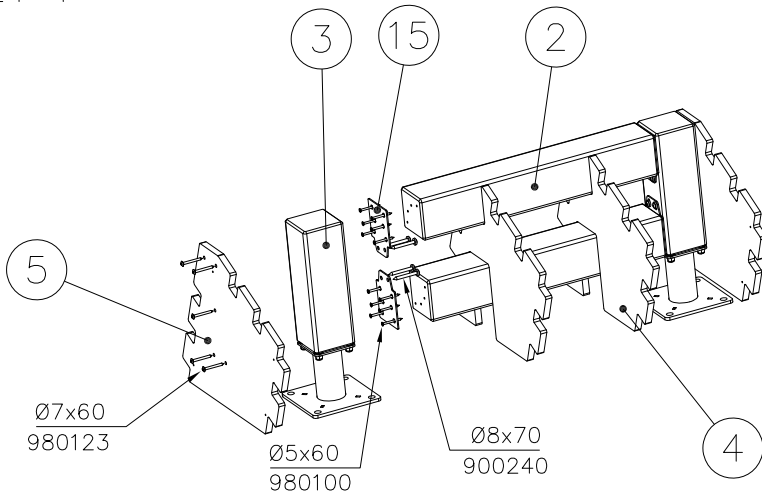


<p>DET 1</p>  <p>Ø8x70 (900240)</p>	<p>DET 2</p>  <p>Ø8x70 (900240)</p>		

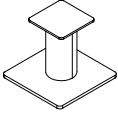
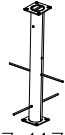


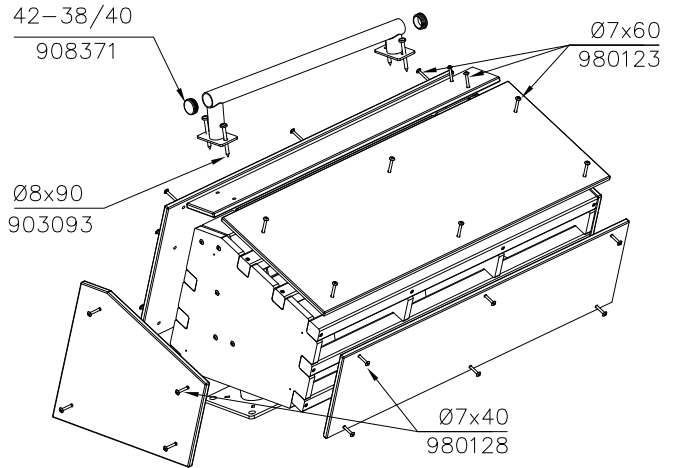
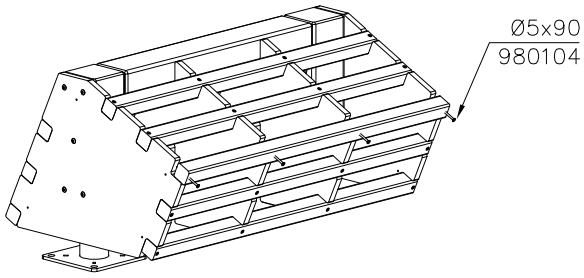
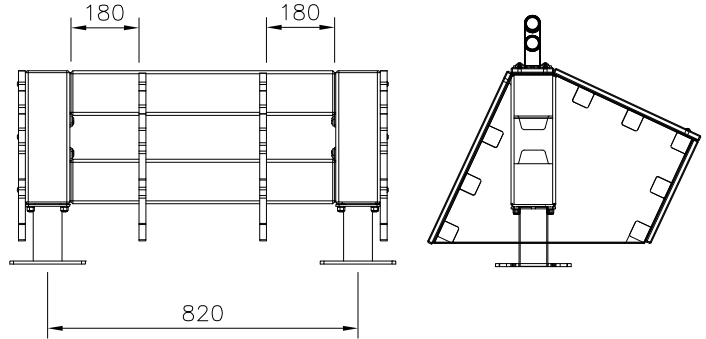


DET 1

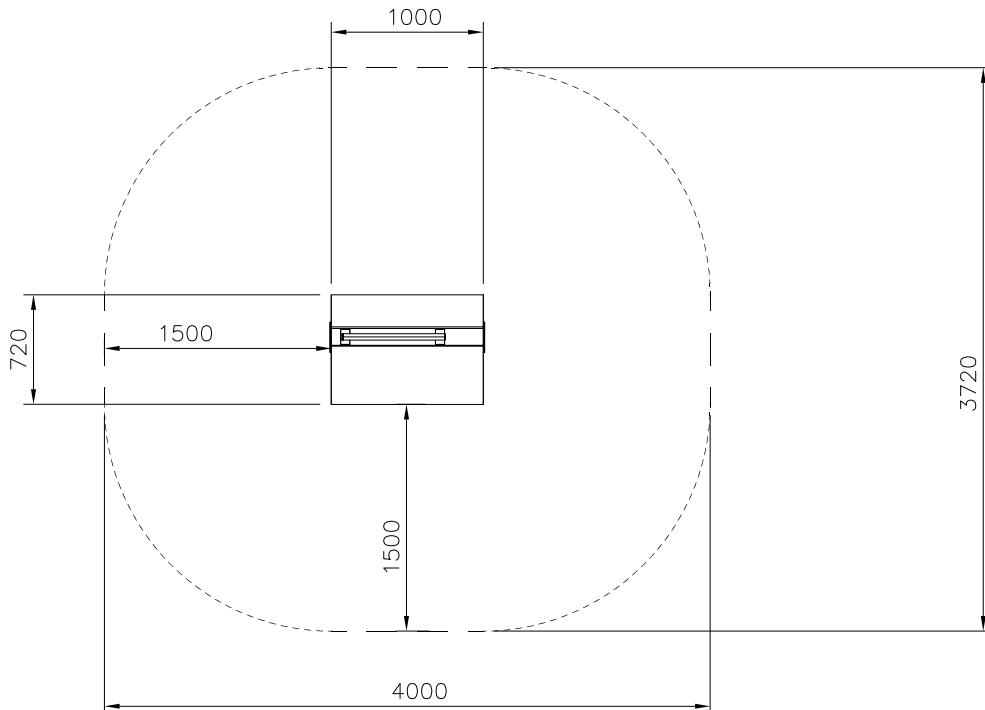


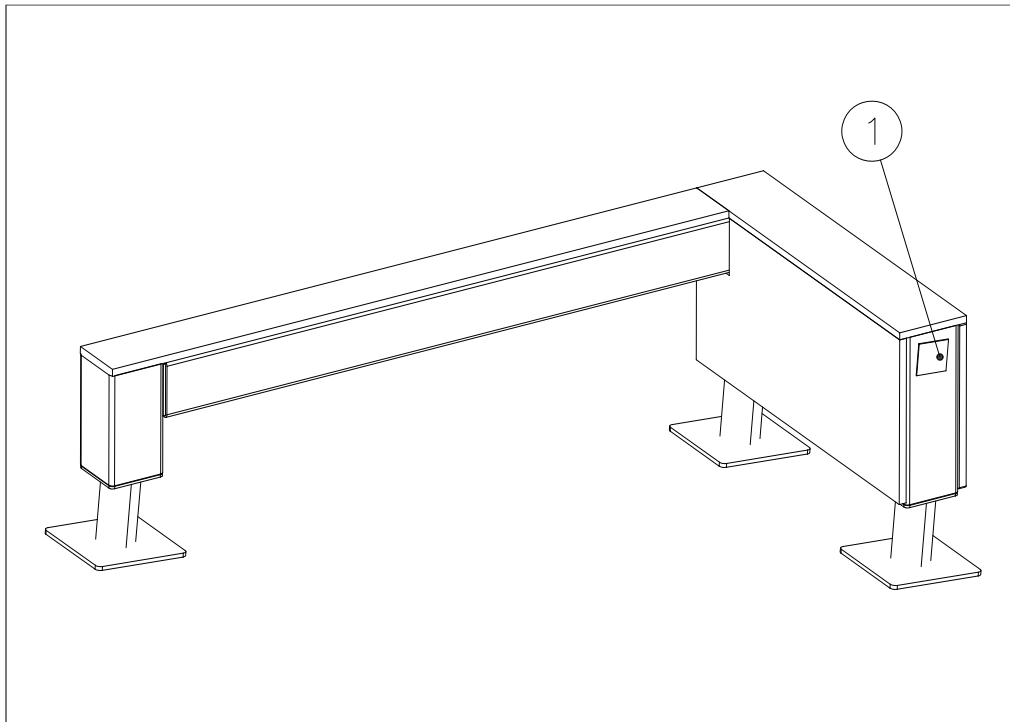
① 702341	PCS	② 708109	PCS
	1		2
90x50		118x118x697	
③ 708443	PCS	④ 708848	PCS
	2		2
118x118x352		18x450x690	
⑤ 708849	PCS	⑥ 712969	PCS
	2		2
18x450x690		16x450x690	
⑦ 712670	PCS	⑧ 712671	PCS
	1		1
16x300x1005		16x500x1005	
⑨ 712669	PCS	⑩ 712672	PCS
	1		1
16x112x1005		16x425x1005	
⑪ 708855	PCS	⑫ 900240	PCS
	8		8
45x45x975		Ø8x70	
⑬ 903093	PCS	⑭ 908371	PCS
	4		2
Ø8x90		42-38/40	
⑮ 908698	PCS	⑯ 910056	PCS
	4		1
3x114x108		140x690	
⑰ 980100	PCS	⑱ 980104	PCS
	24		32
Ø5x60		Ø5x90	
⑲ 980123	PCS	⑳ 980128	PCS
	27		14
Ø7x60		Ø7x40	


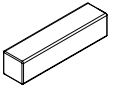

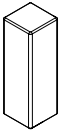
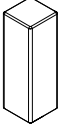
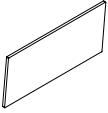
709261+		709262+	
○ 910330	PCS	○ 910567	PCS
SURFACE	2	CONCRETE	2
			
152x200x200		117x117x715	

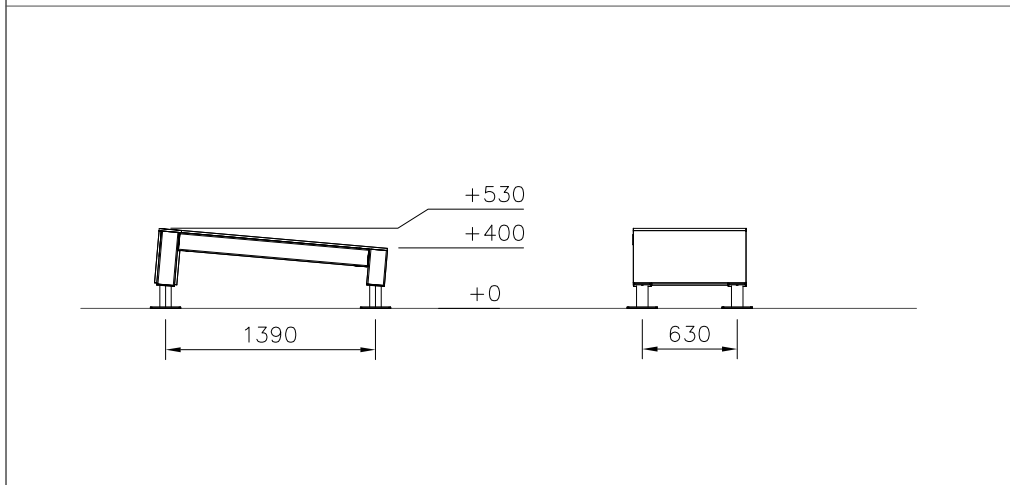


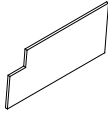
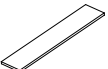

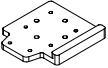
----- Falling Space 13 m²
 Max Falling Height 660 mm



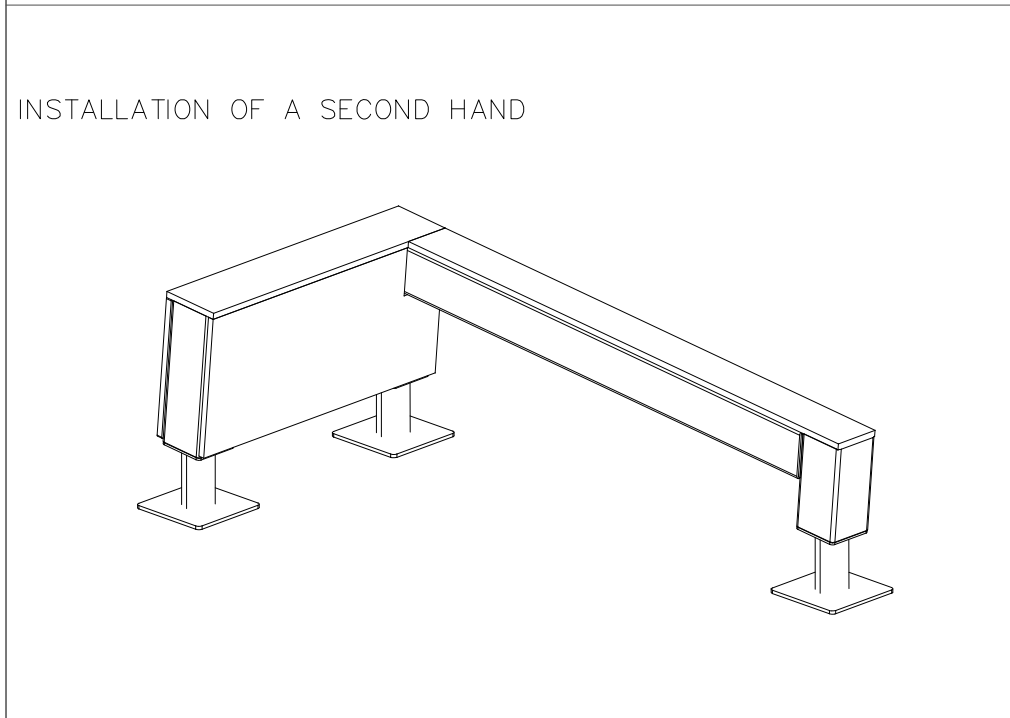


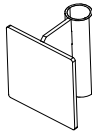





① 702286  65x65	PCS 1	② 707210  118x118x503	PCS 2
③ 707212  118x118x1254	PCS 1	④ 708347  118x118x231	PCS 1
⑤ 708443  118x118x352	PCS 2	⑥ 712621  16x346x745	PCS 1






⑦ 712622  16x346x745	PCS 1	⑧ 712625  16x148x745	PCS 1
⑨ 712626  16x118x1365	PCS 1	⑩ 708857 JIG  20x133x149	PCS 1

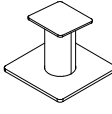

INSTALLATION OF A SECOND HAND



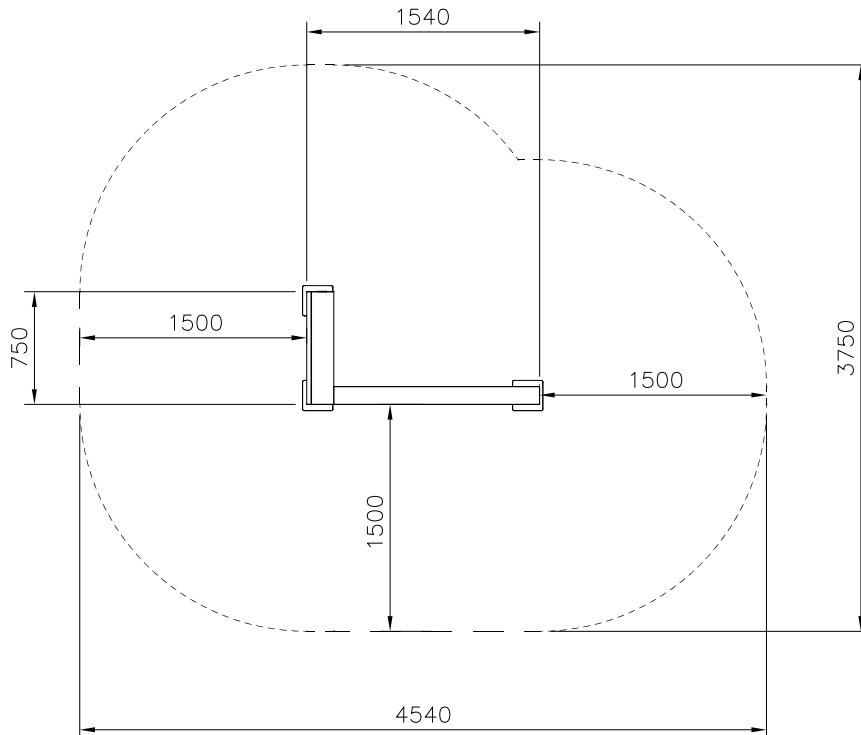
⑪ 910266  90x108x118	PCS 2	⑫ 900240  Ø8x70	PCS 16
⑬ 903093  Ø8x90	PCS 4	⑭ 905103  PT-28/32-H	PCS 2
⑮ 905112  Ø22	PCS 4	⑯ 908698  3x114x108	PCS 4

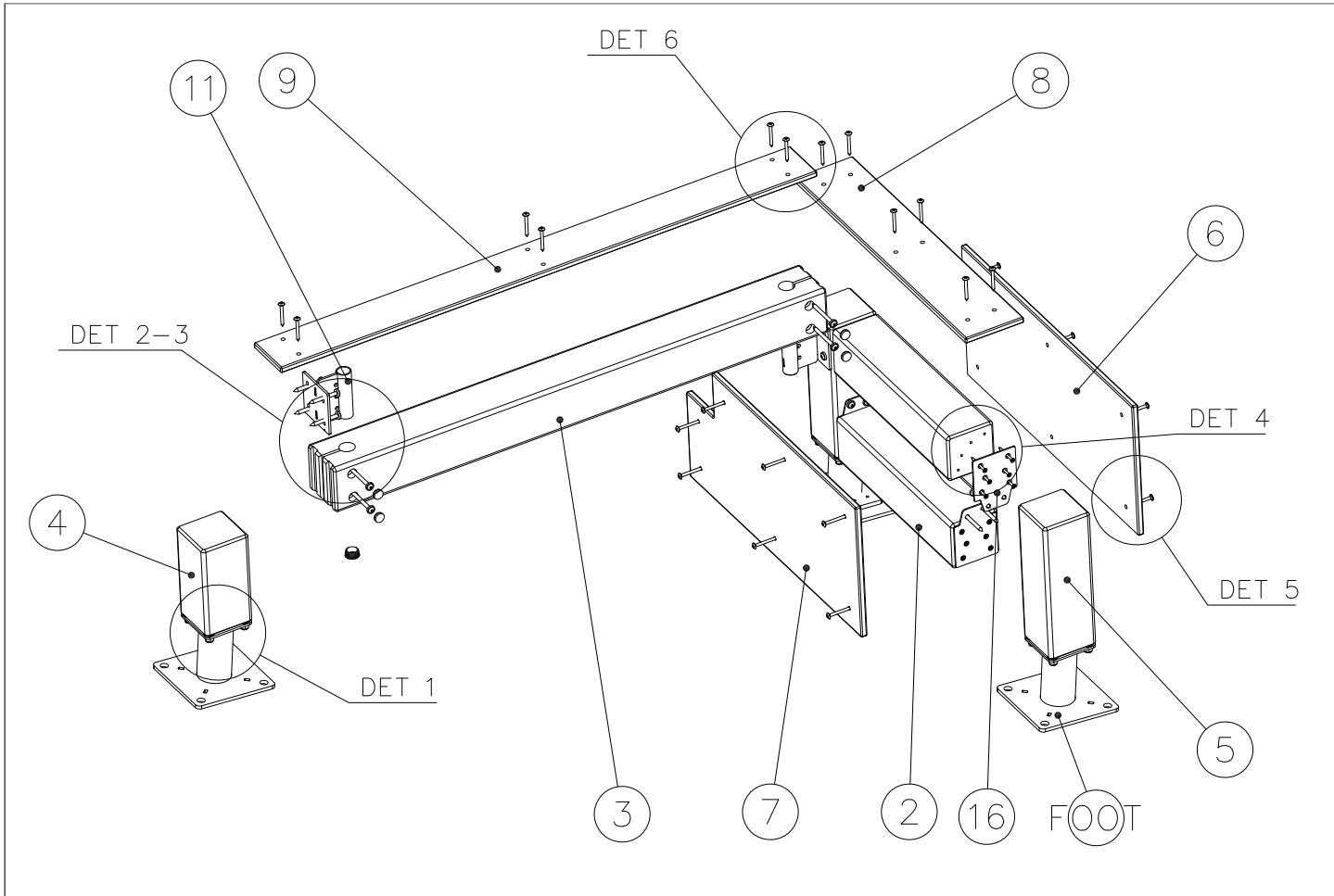
17	980100	PCS	18	980114	PCS	19	980123	PCS
		28			4			25
								
Ø5x60			Ø4x20			Ø7x60		

FOOT OPTIONS

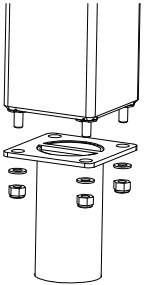
709261+		709262+	
910267	PCS	910567	PCS
SURFACE	3	CONCRETE	3
			
152x200x200		117x117x715	

----- Falling Space 13.8 m²
Max Falling Height 530 mm

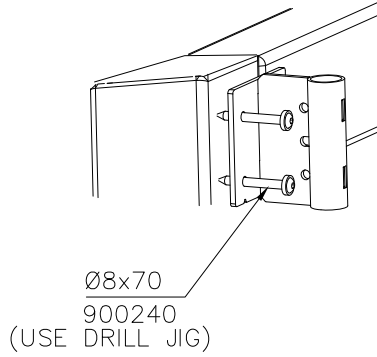




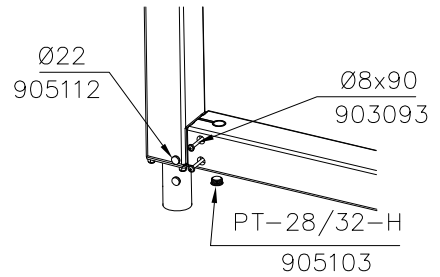
DET 1



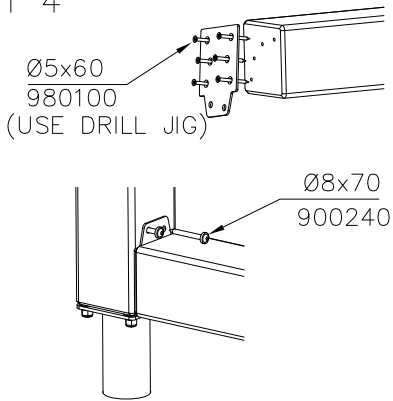
DET 2



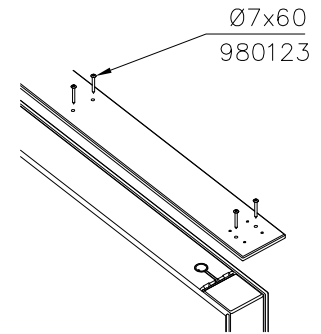
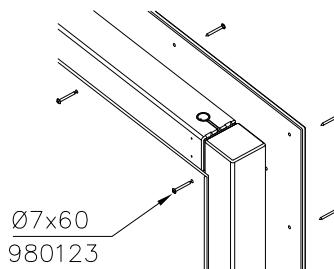
DET 3



DET 4



DET 5



JIG DET A (USE DET 2-4)

NOTE:

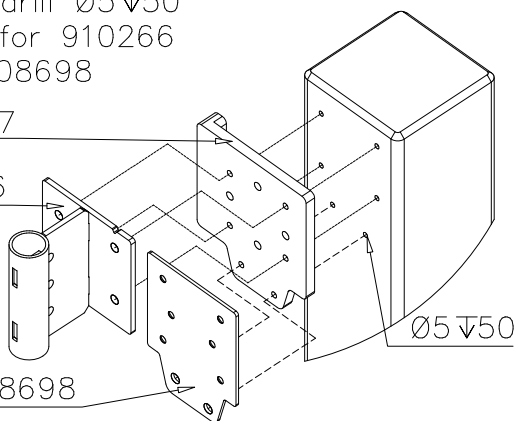
Use drill jig 708857
to predrill Ø5 ∇50
holes for 910266
and 908698

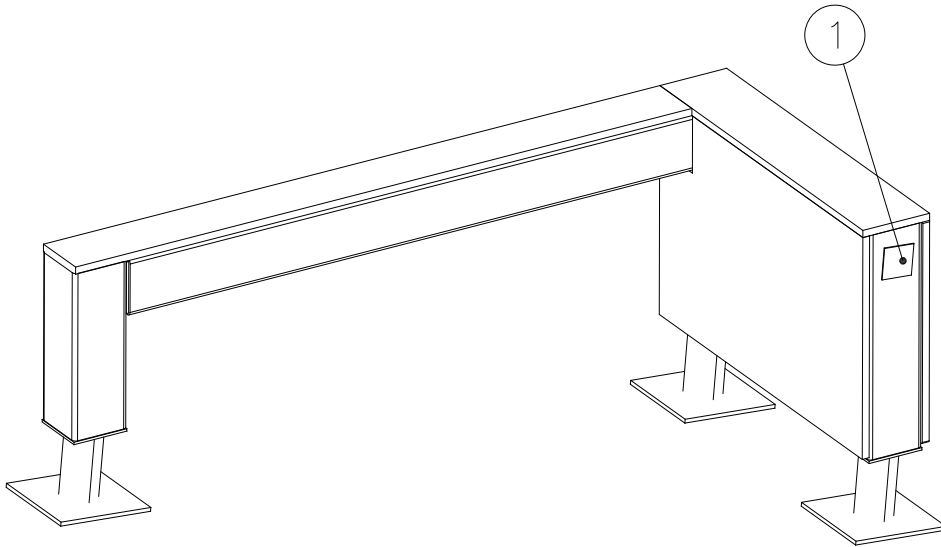
708857


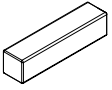
910266


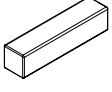
908698


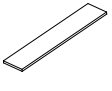
Ø5 ∇50


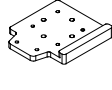


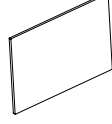




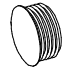
① 702286	PCS	② 707210	PCS
	1		2
65x65		118x118x503	


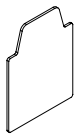
③ 707212	PCS	④ 707889	PCS
	1		2
118x118x1254		118x118x472	

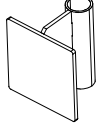
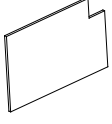
⑤ 708443	PCS	⑥ 712625	PCS
	1		1
118x118x352		16x148x745	

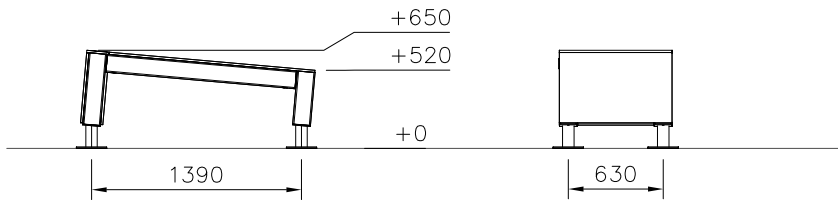
⑦ 712626	PCS	⑧ 708857 JIG	PCS
	1		1
16x118x1365		20x133x149	

⑨ 712623	PCS	⑩ 900240	PCS
	1		16
16x466x745		Ø8x70	

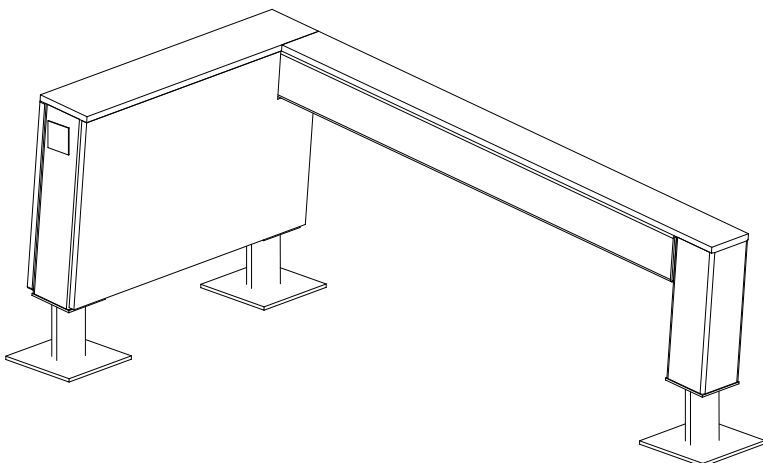
⑪ 903093	PCS	⑫ 905103	PCS
	4		2
Ø8x90		PT-28/32-H	




⑬ 905112	PCS	⑭ 908698	PCS
	4		4
Ø22		3x114x108	

⑮ 910266	PCS	⑯ 712624	PCS
	2		1
90x108x118		16x466x745	

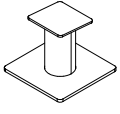



INSTALLATION OF A SECOND HAND

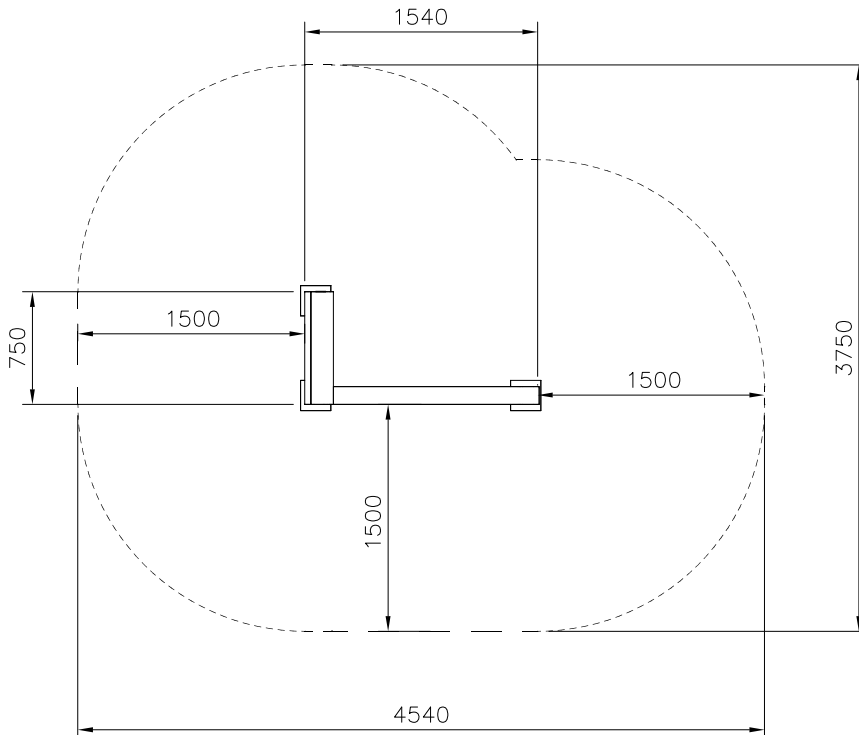


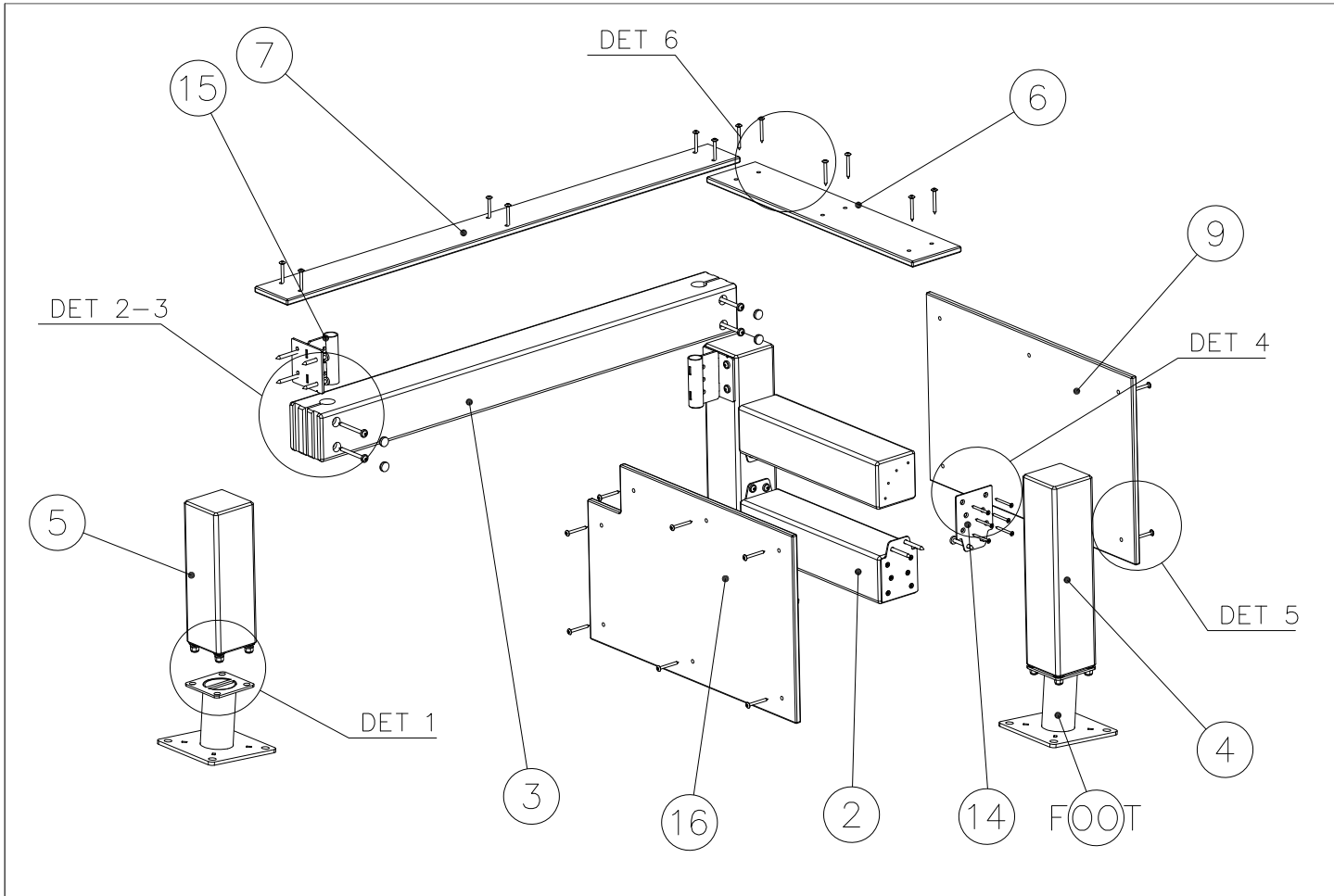
17	980100	PCS	18	980114	PCS	19	980123	PCS
		28			4			25
								
Ø5x60			Ø4x20			Ø7x60		

FOOT OPTIONS

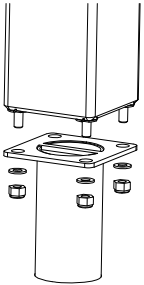
709261+		709262+	
910267	PCS	910567	PCS
SURFACE	3	CONCRETE	3
			
152x200x200		117x117x715	

----- Falling Space 13.8 m²
Max Falling Height 650 mm

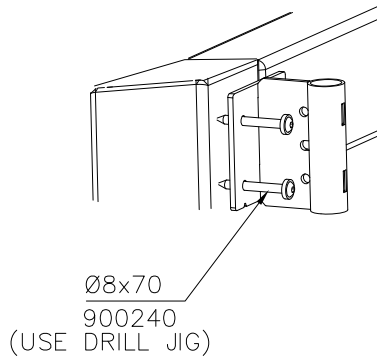




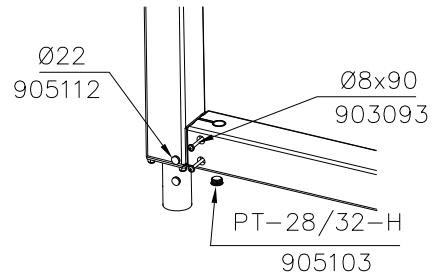
DET 1



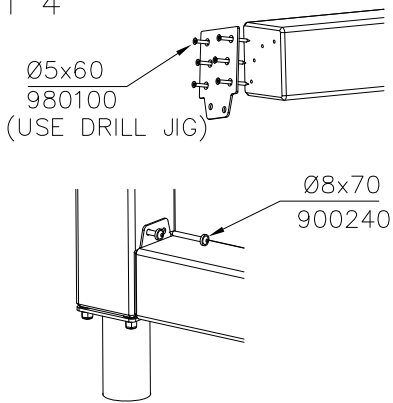
DET 2



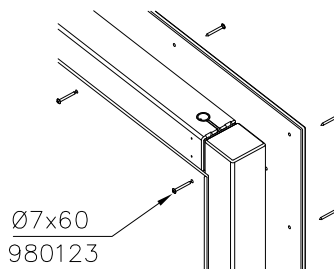
DET 3



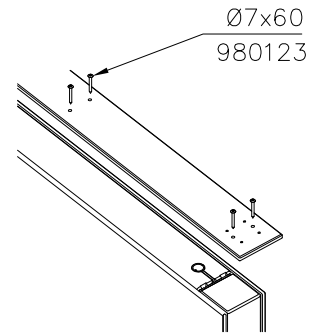
DET 4



DET 5

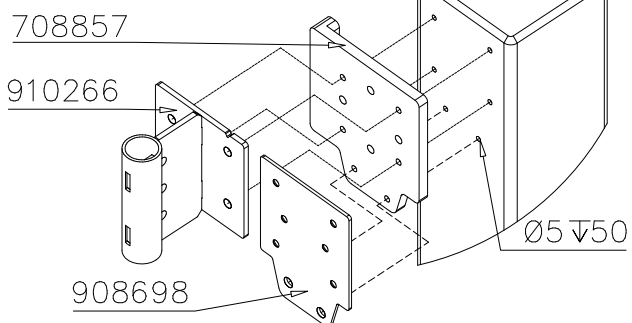


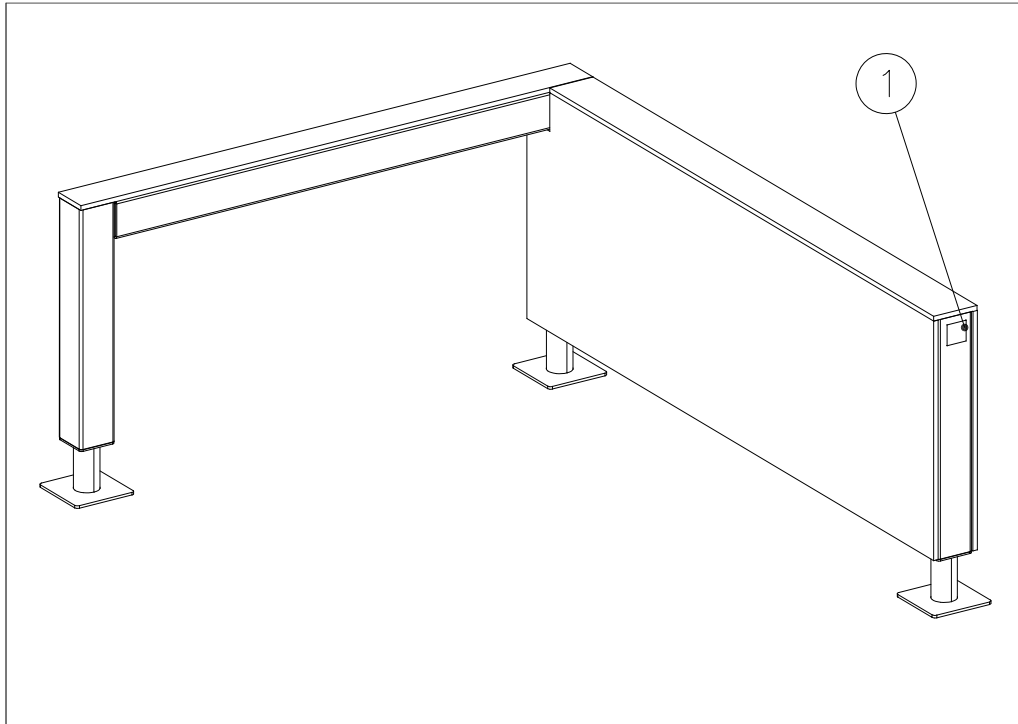
DET 6



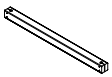

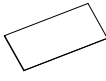



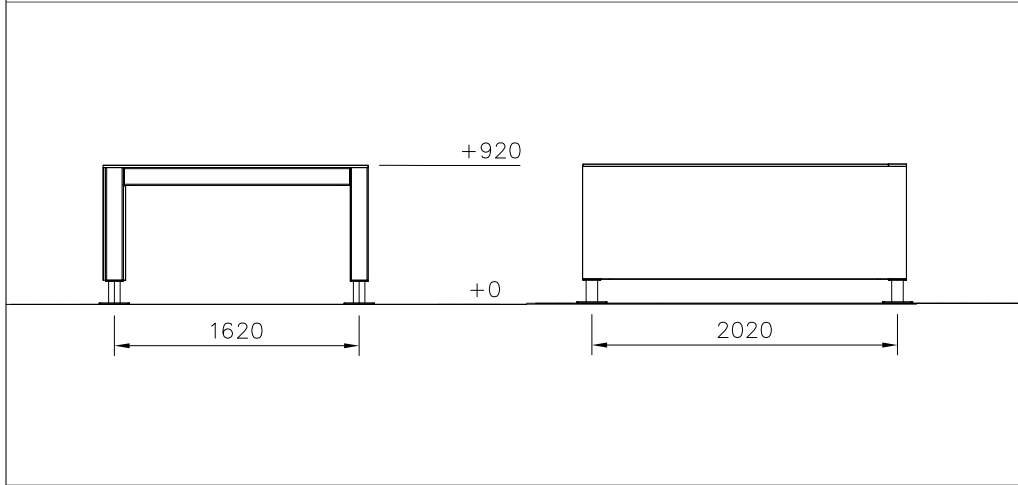
JIG DET A (USE DET 2-4)

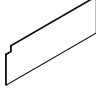

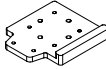

NOTE:
Use drill jig 708857
to predrill $\text{Ø}5 \nabla 50$
holes for 910266
and 908698



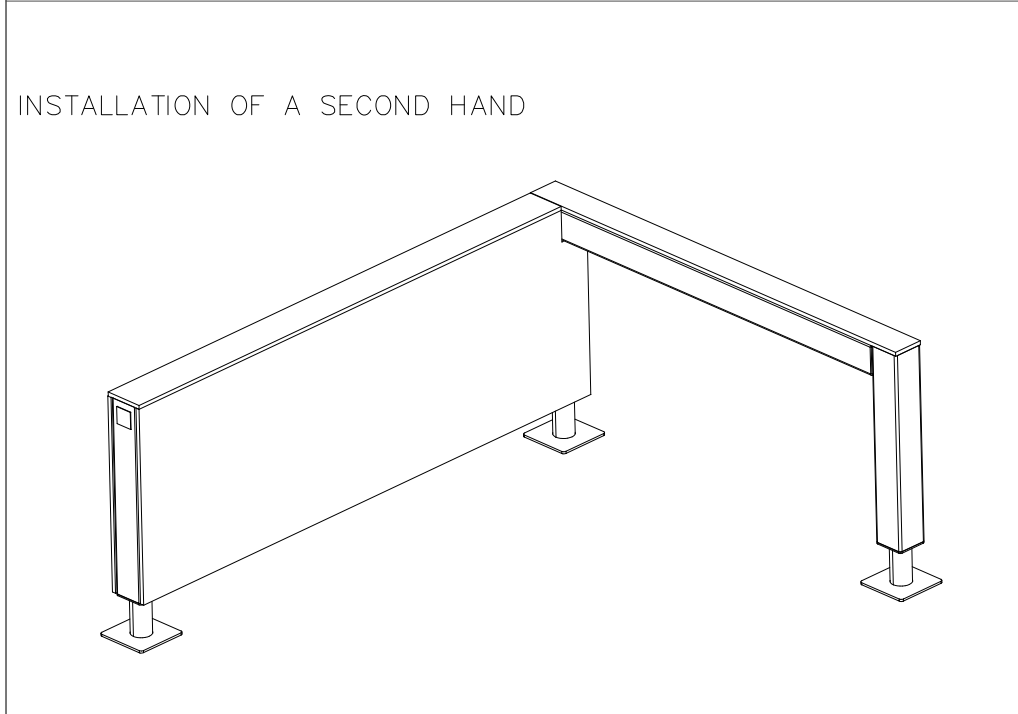




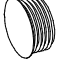

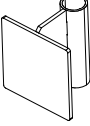

① 702286  65x65	PCS 1	② 707213  118x118x1490	PCS 1
③ 707517  118x118x1892	PCS 2	④ 708137  118x118x745	PCS 3
⑤ 712614  16x745x2140	PCS 1	⑥ 712634  16x148x2018	PCS 1



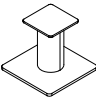

⑦ 712638  16x745x2138	PCS 1	⑧ 712639  16x118x1751	PCS 1
⑨ 708857 JIG  20x133x149	PCS 1	⑩ 980123  Ø7x60	PCS 37

INSTALLATION OF A SECOND HAND

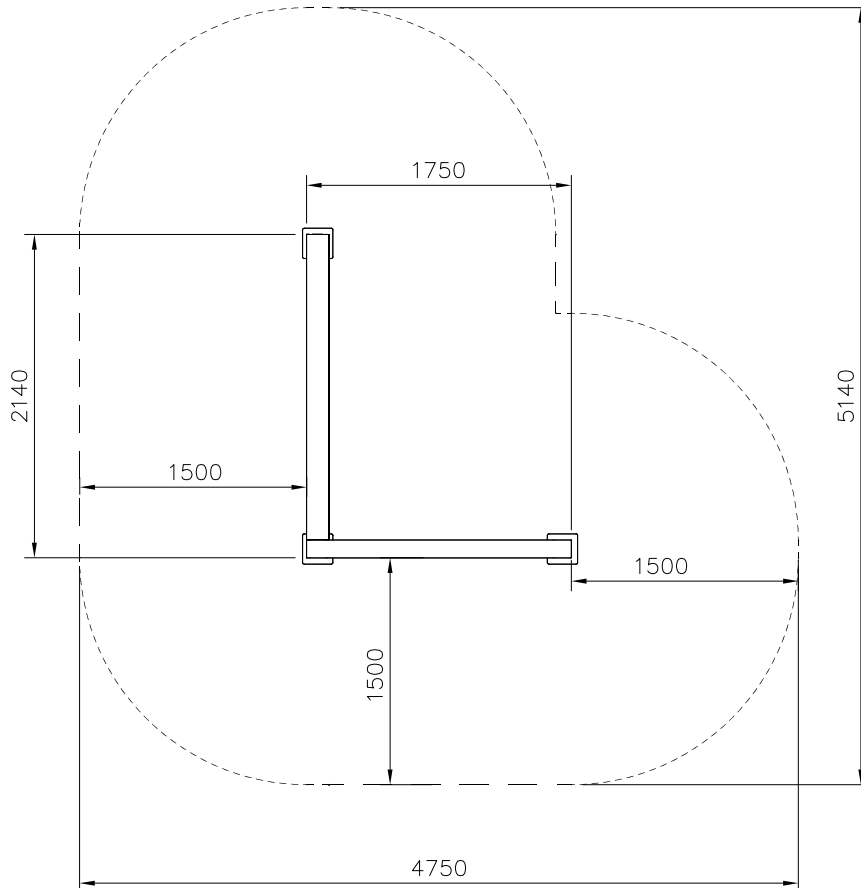


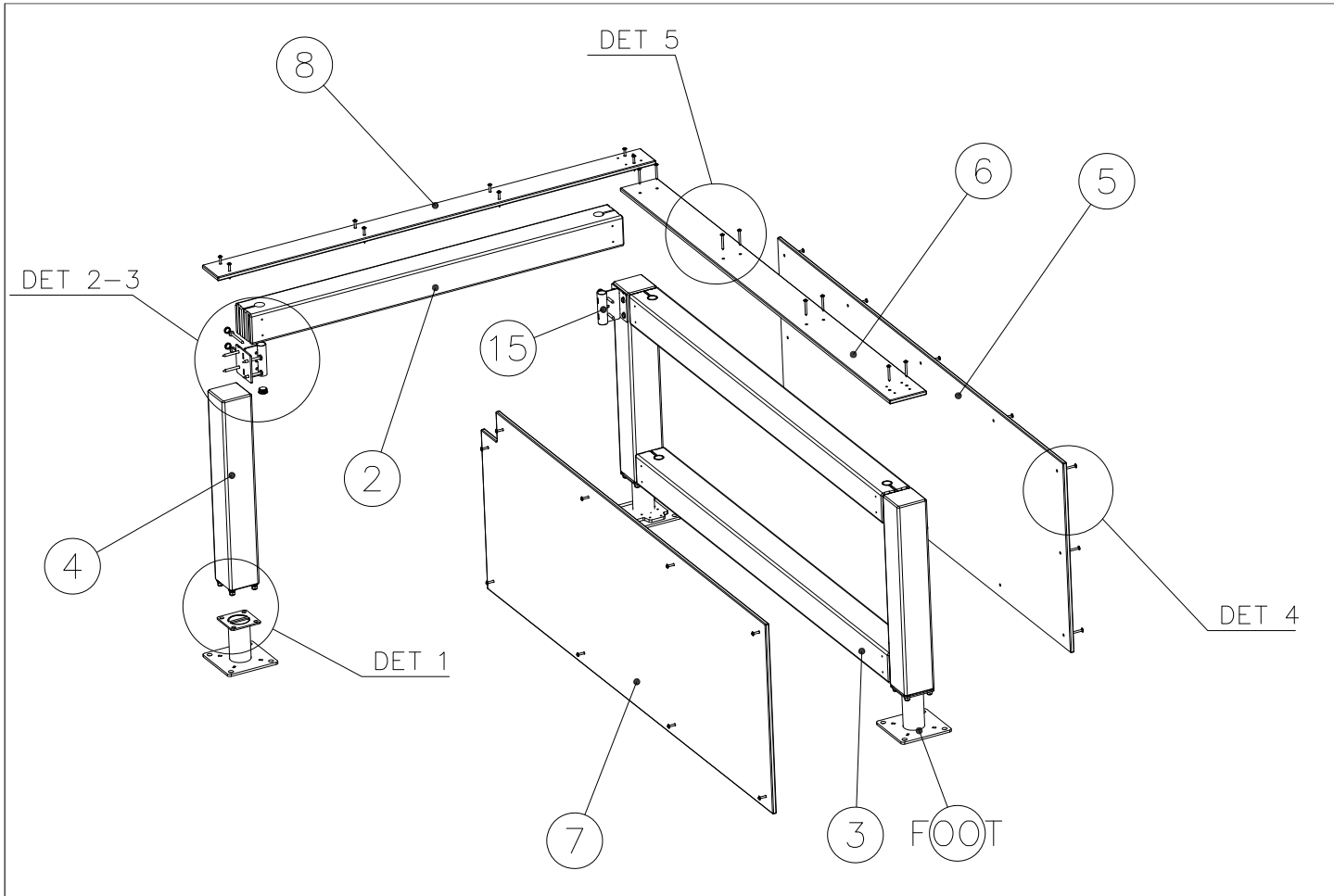
⑪ 900240  Ø8x70	PCS 24	⑫ 903093  Ø8x90	PCS 12
⑬ 905103  PT-28/32-H	PCS 6	⑭ 905112  Ø22	PCS 12
⑮ 910266  90x108x118	PCS 6	⑯ 980114  Ø4x20	PCS 4

FOOT OPTIONS

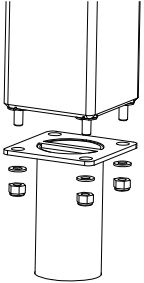
709261+		709262+	
○ 910330	PCS	○ 910567	PCS
SURFACE	3	CONCRETE	3
			
152x200x200		117x117x715	

----- Falling Space 18.8 m2
Max Falling Height 920 mm

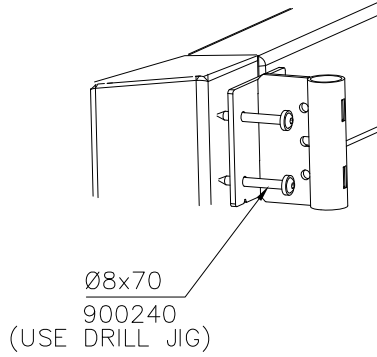




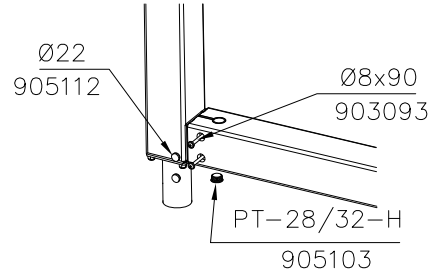
DET 1



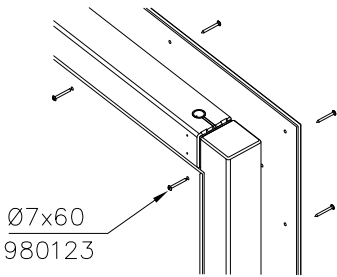
DET 2



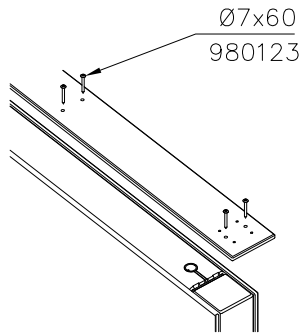
DET 3



DET 4



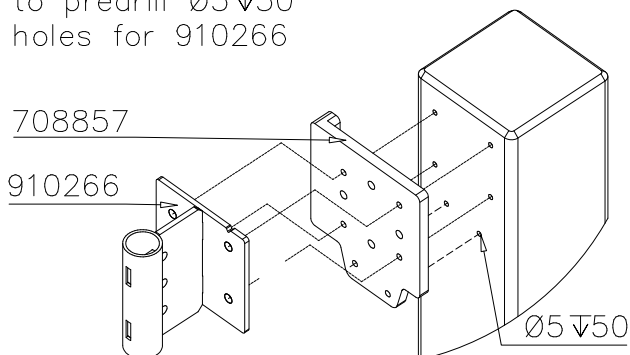
DET 5

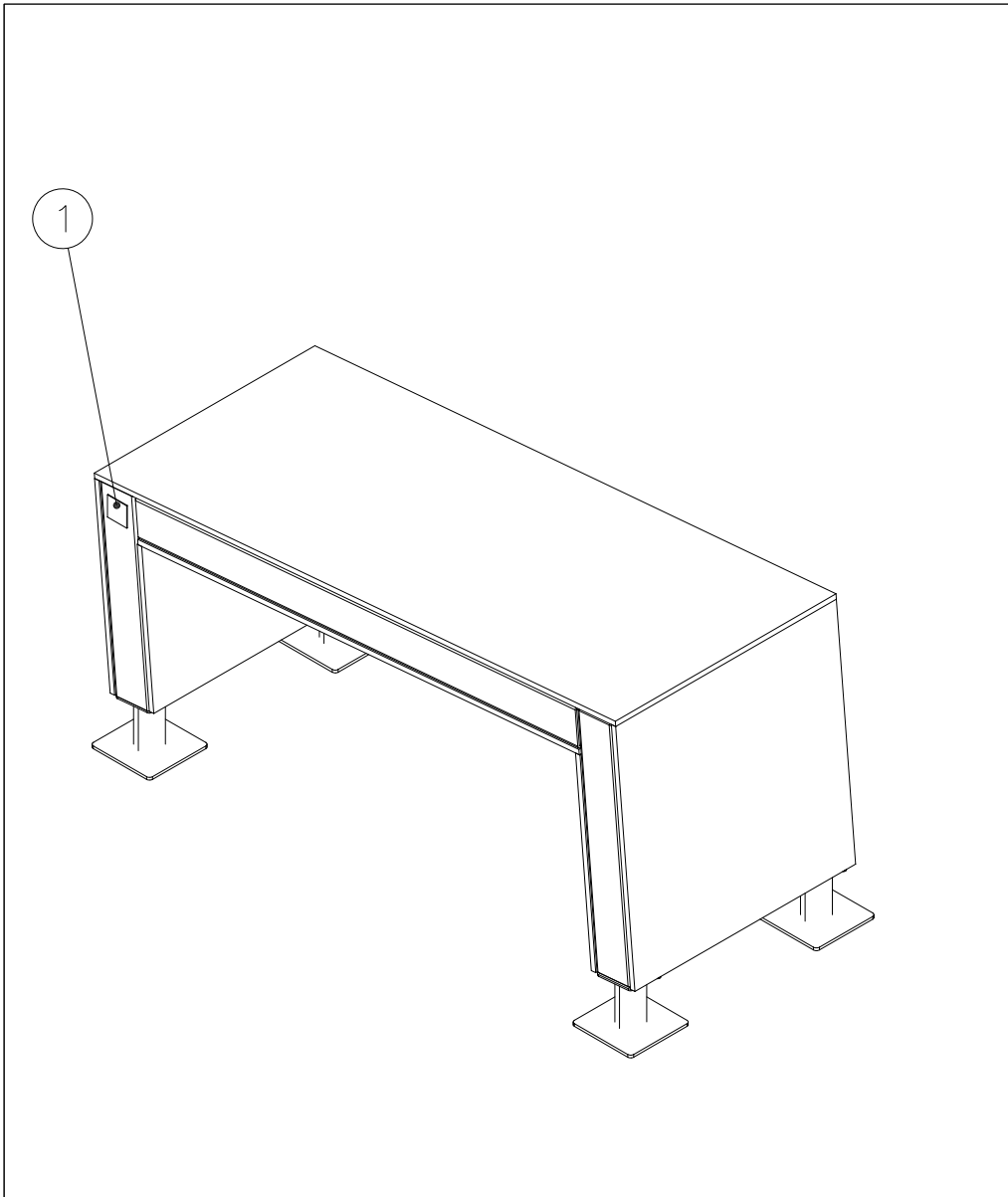



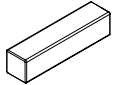




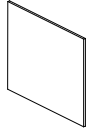

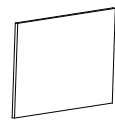
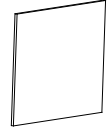
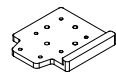

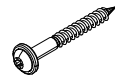

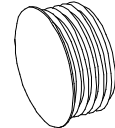
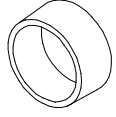
DET 6

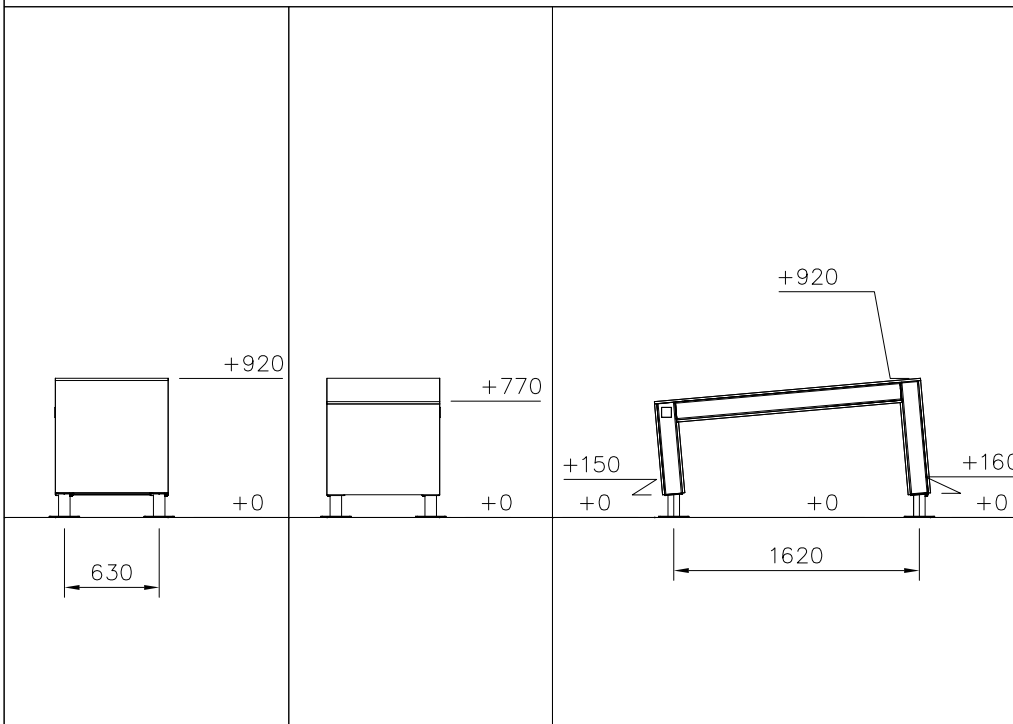
JIG DET A (USE DET 2-3)

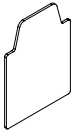
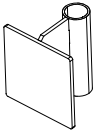



NOTE:
Use drill jig 708857
to predrill $\text{Ø}5 \nabla 50$
holes for 910266



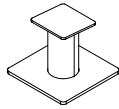
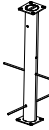


① 702286  65x65	PCS 1	② 707210  118x118x503	PCS 4
③ 707213  118x118x1490	PCS 2	④ 708127  118x118x603	PCS 2
⑤ 708137  118x118x745	PCS 2	⑥ 713176  16x745x1766	PCS 1
⑦ 712608  16x603x745	PCS 1	⑧ 712607  16x745x745	PCS 1
⑨ 708834  16x745x469	PCS 1	⑩ 708835  16x745x611	PCS 1
⑪ 708857 JIG  20x133x149	PCS 1	⑫ 709204  15x745x1495	PCS 1
⑬ 900240  Ø8x70	PCS 32	⑭ 903093  Ø8x90	PCS 8
⑮ 905103  PT-28/32-H	PCS 8	⑯ 905112  Ø22	PCS 8

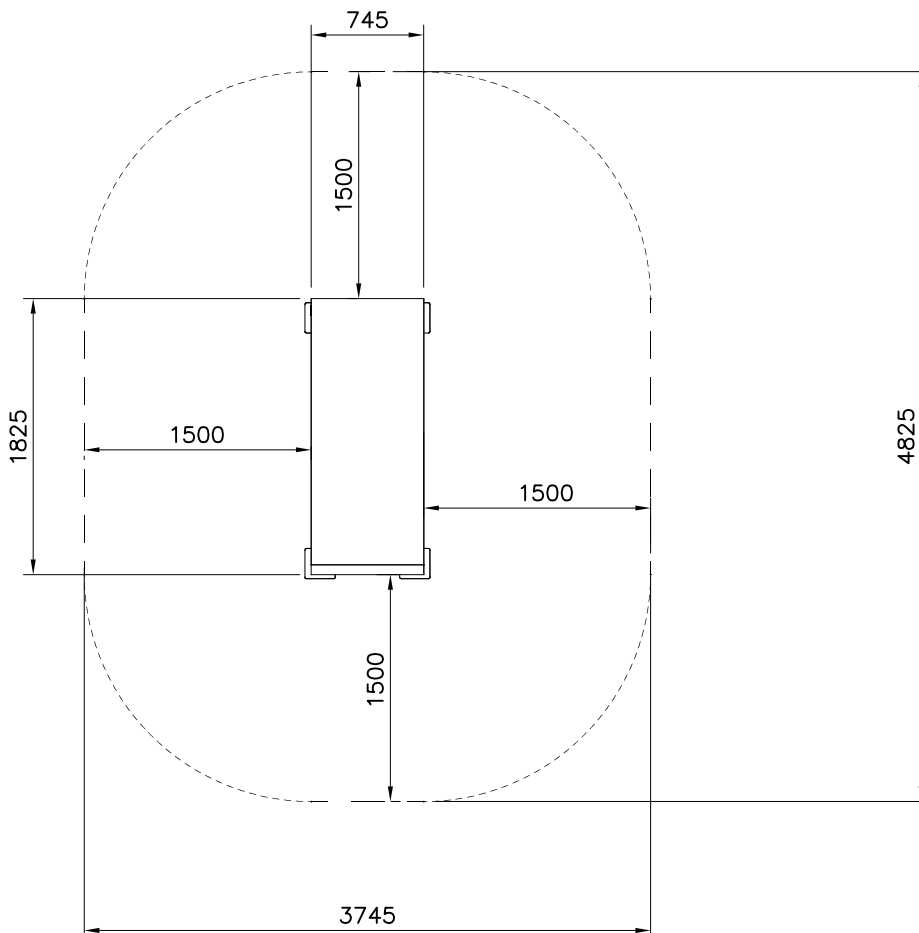
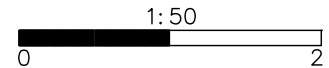


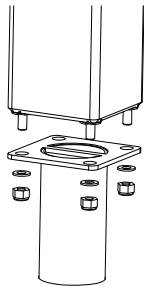
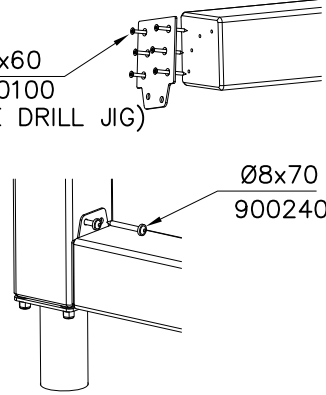
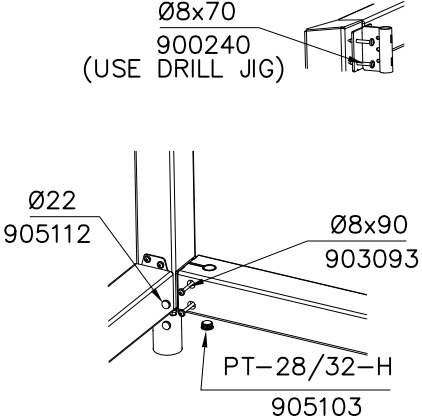
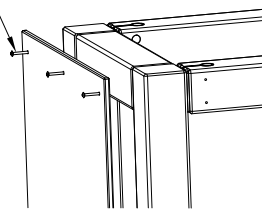
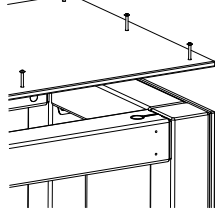
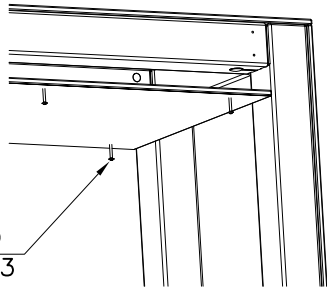
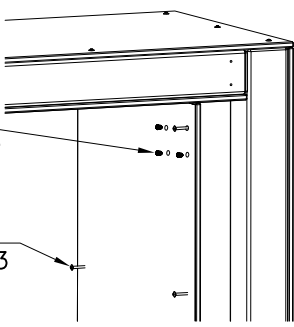
(17) 908698	PCS	(18) 910266	PCS	(19) 980114	PCS	(20) 980100	PCS	(21) 980123	PCS		PCS		PCS
	8		4		4		48		38				
3x114x108		90x108x118		Ø4x20		Ø5x60		Ø7x60					
	PCS		PCS		PCS								

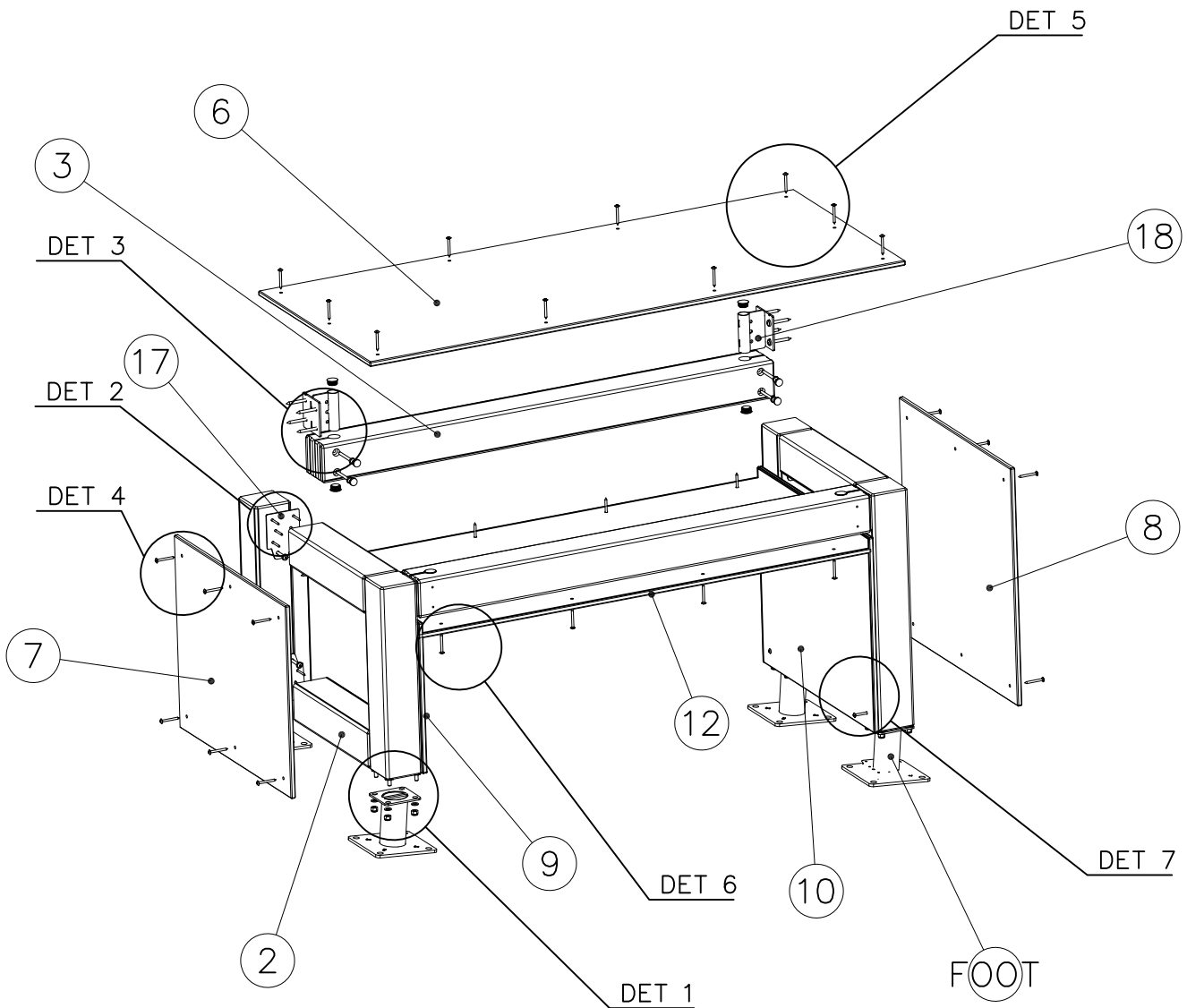
FOOT OPTIONS

709261+		709262+	
○ 910267	PCS	○ 910567	PCS
SURFACE	4	CONCRETE	4
			
152x200x200		117x117x715	

----- Falling Space 16.1 m²
Max Falling Height 920 mm



<p>DET 1</p> 	<p>DET 2</p>  <p>Ø5x60 980100 (USE DRILL JIG)</p> <p>Ø8x70 900240</p>	<p>DET 3</p>  <p>Ø8x70 900240 (USE DRILL JIG)</p> <p>Ø22 905112</p> <p>Ø8x90 903093</p> <p>PT-28/32-H 905103</p>
<p>DET 4</p>  <p>Ø7x60 980123</p>	<p>DET 5</p>  <p>Ø7x60 980123</p>	<p>DET 6</p>  <p>Ø7x60 980123</p>
<p>DET 7</p>  <p>SRL12 903533</p> <p>Ø7x60 980123</p>		



JIG DET A (USE DET 2-3)

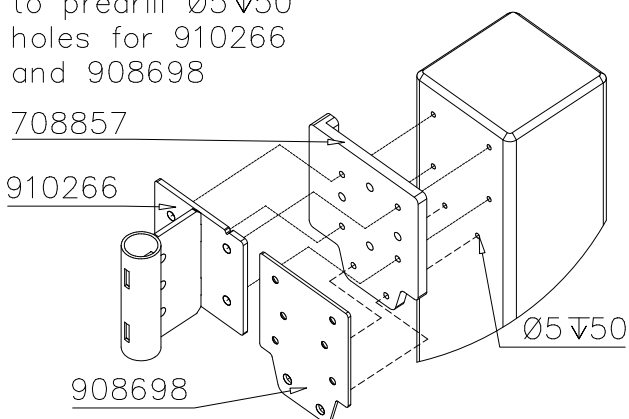
NOTE:

Use drill jig 708857 to predrill $\text{Ø}5 \nabla 50$ holes for 910266 and 908698

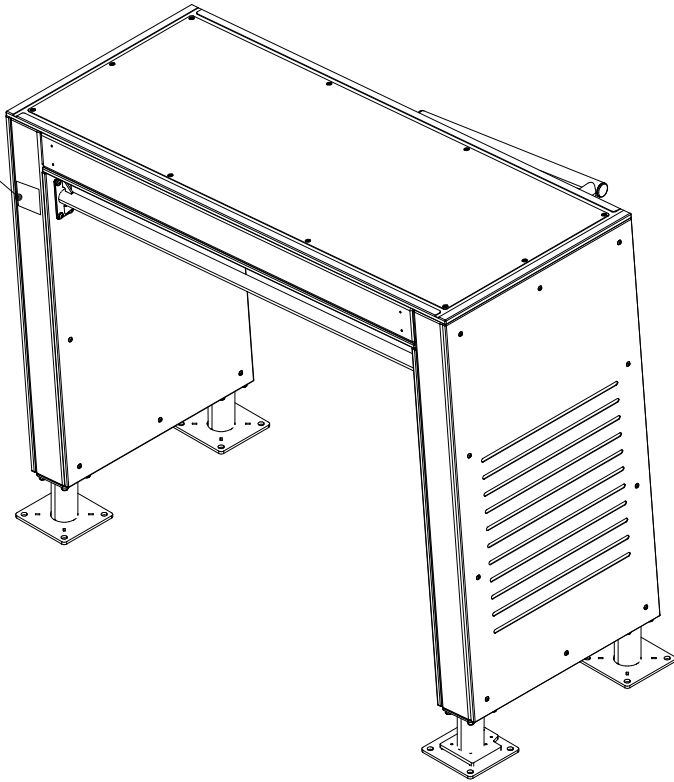
708857

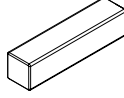



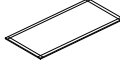
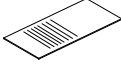
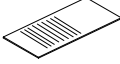
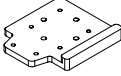
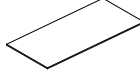
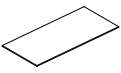
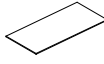



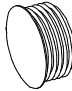

910266

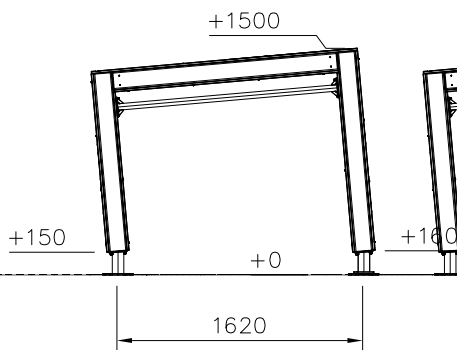
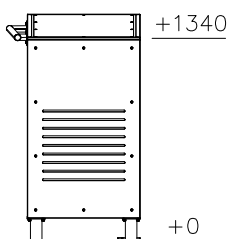
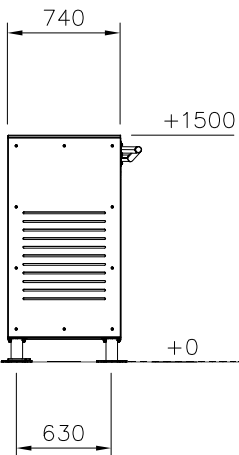
908698

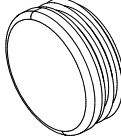
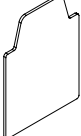
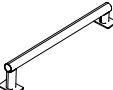
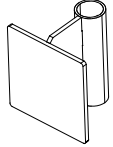

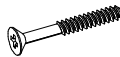



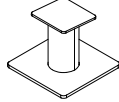
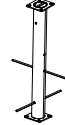


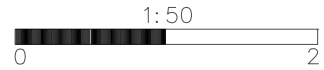
24



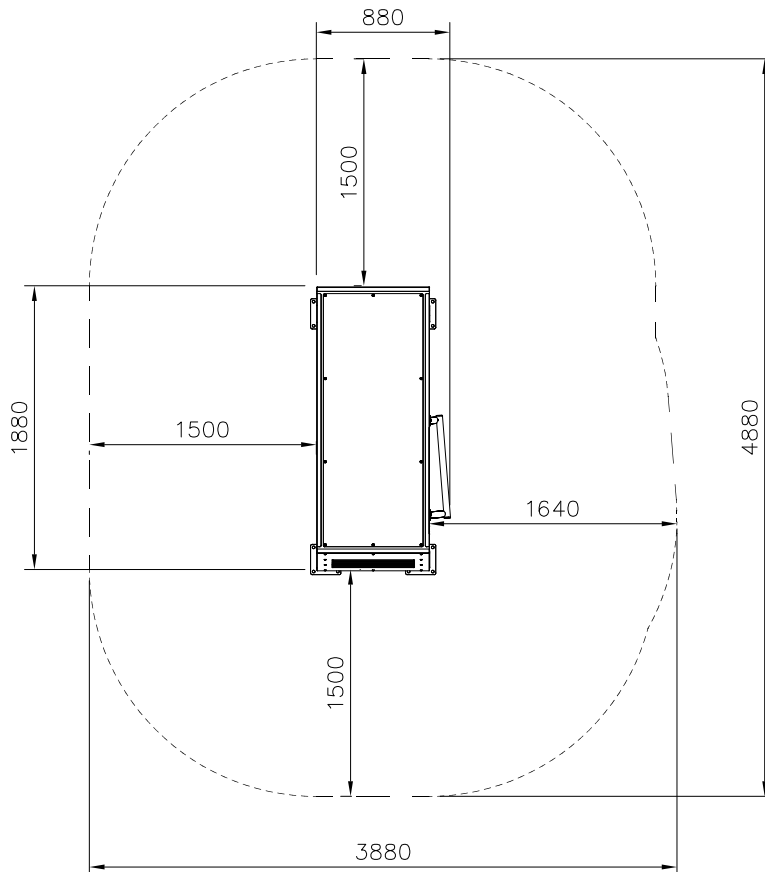
① 707210	PCS 4	② 707213	PCS 2
			
118x118x503		118x118x1490	
③ 708042	PCS 2	④ 708125	PCS 2
			
118x118x1185		118x118x1326	
⑤ 712612	PCS 1	⑥ 712610	PCS 1
			
16x745x1766		16x745x1185	
⑦ 712609	PCS 1	⑧ 708857 JIG	PCS 1
			
16x745x1326		20x133x149	
⑨ 911103 COLOR	PCS 1	⑩ 911305 COLOR	PCS 1
			
15x745x1495		15x745x1192	
⑪ 911307 COLOR	PCS 1	⑫ 900240	PCS 44
			
15x745x1050		Ø8x70	
⑬ 903093	PCS 8	⑭ 903533	PCS 6
			
Ø8x90		SRL12	
⑮ 905103	PCS 8	⑯ 905112	PCS 8
			
PT-28/32-H		Ø22	

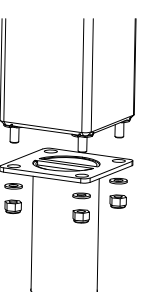
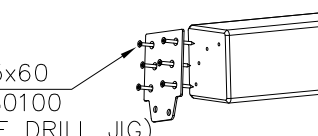
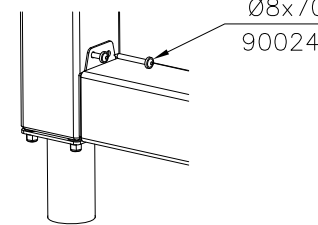
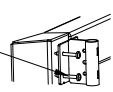
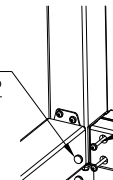
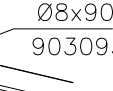
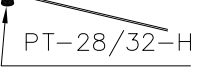
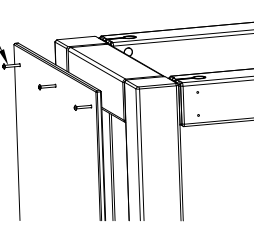
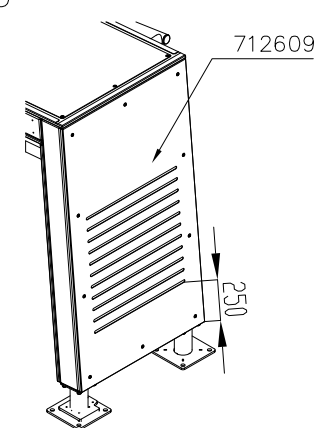

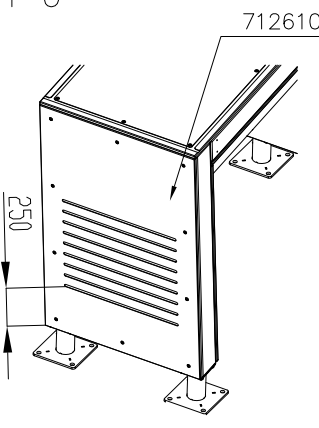

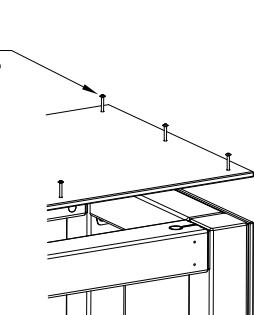
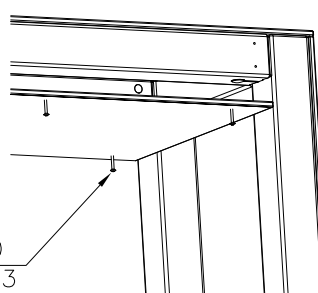
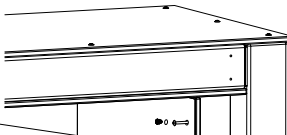

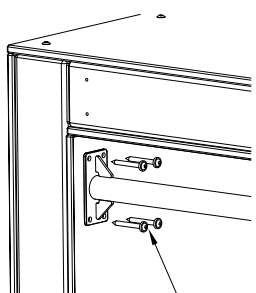
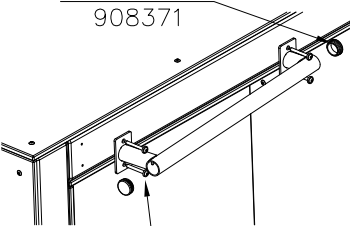
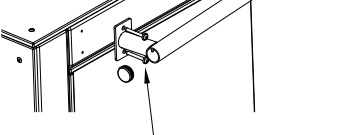


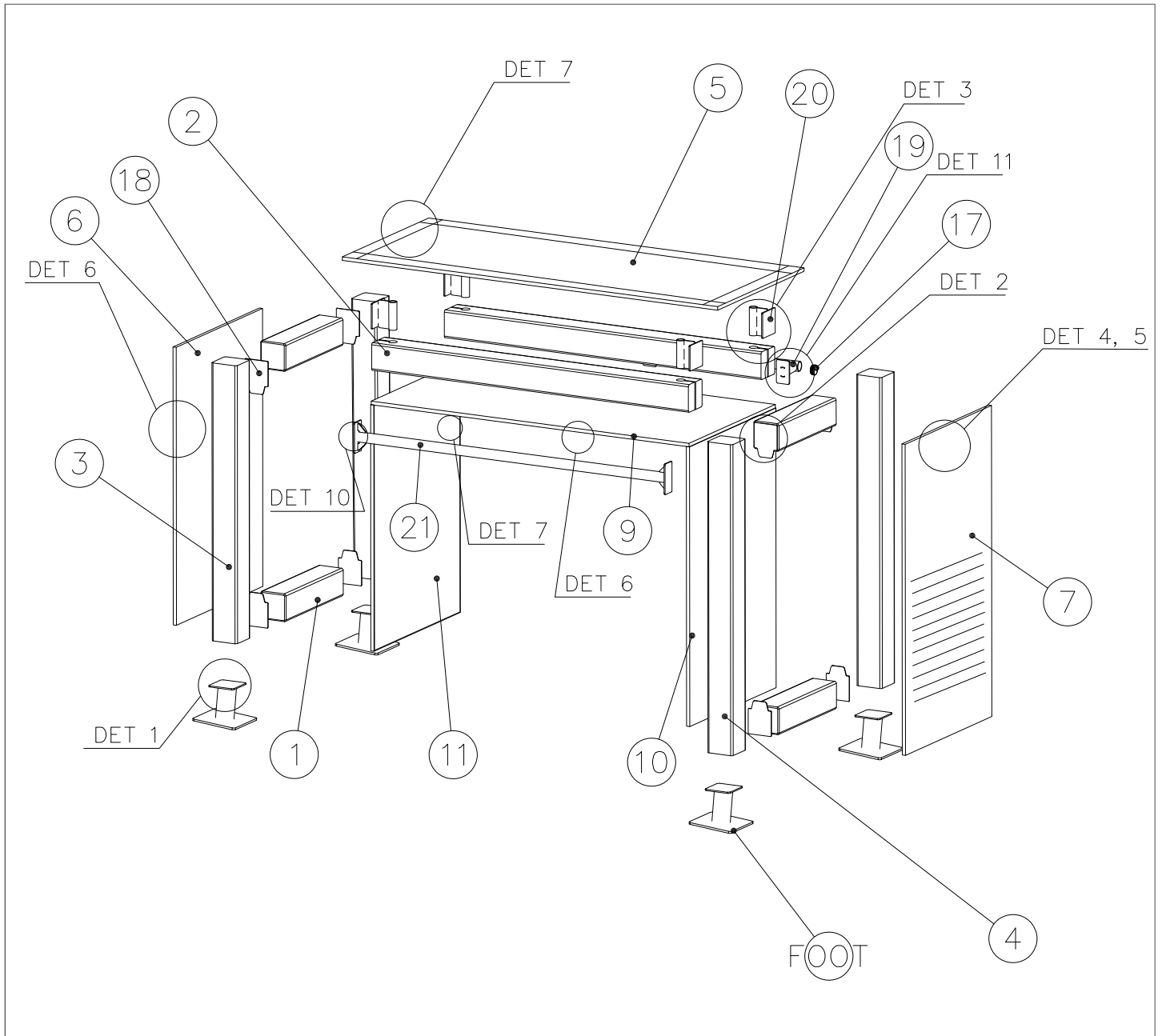
17	908371	PCS	18	908698	PCS	19	910056	PCS	20	910266	PCS	21	910328	PCS	22	980100	PCS		PCS
		2			8			1			4			1			48		
42-38/40			3x114x108			140x690			90x108x118			L 1466			Ø5x60				
23	980123	PCS	24	702286	PCS	25	980114	PCS	FOOT OPTIONS										
		50			1			4	709261+		709262+								
Ø7x60			65x65			Ø4x20			910267	PCS	910567	PCS							
									SURFACE	4	CONCRETE	4							
																			
									152x200x200		117x117x715								



----- Falling Space 16.5 m²
Max Falling Height 1500 mm



<p>DET 1</p> 	<p>DET 2</p> <p>Ø5x60 980100 (USE DRILL JIG)</p>  <p>Ø8x70 900240</p> 	<p>DET 3</p> <p>Ø8x70 900240 (USE DRILL JIG)</p>  <p>Ø22 905112</p>  <p>Ø8x90 903093</p>  <p>PT-28/32-H 905103</p> 
<p>DET 4</p> <p>Ø7x60 980123</p> 	<p>DET 5</p> <p>712609</p>  <p>250</p> 	<p>DET 6</p> <p>712610</p>  <p>250</p> 
<p>DET 7</p> <p>Ø7x60 980123</p> 	<p>DET 8</p> <p>Ø7x60 980123</p> 	<p>DET 9</p> <p>SRL12 903533</p>  <p>Ø7x60 980123</p> 
<p>DET 10</p> <p>Ø8x70 900240</p> 	<p>DET 11 DRILL PREHOLES BEFORE INSTALLING HANDLES</p> <p>42-38/40 908371</p>  <p>Ø8x70 900240</p> 	



JIG DET A (USE DET 2-3)

NOTE:

Use drill jig 708857 to predrill $\text{Ø}5 \nabla 50$ holes for 910266 and 908698

708857

910266

908698

$\text{Ø}5 \nabla 50$

JIG DET B (USE DET 9, 10)

Plywood

Frame

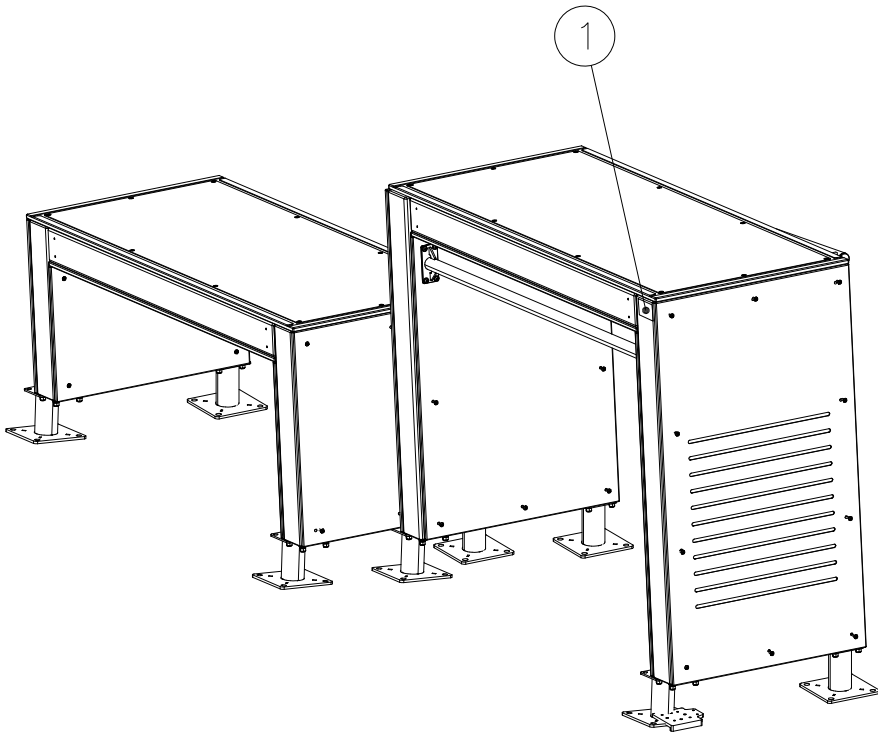
708857


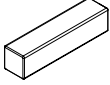





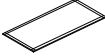


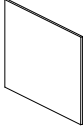

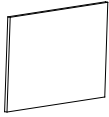
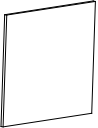
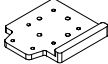

910056

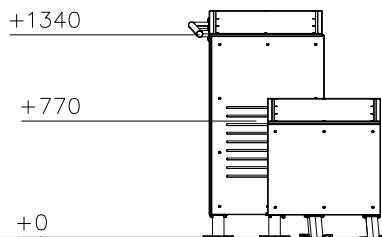
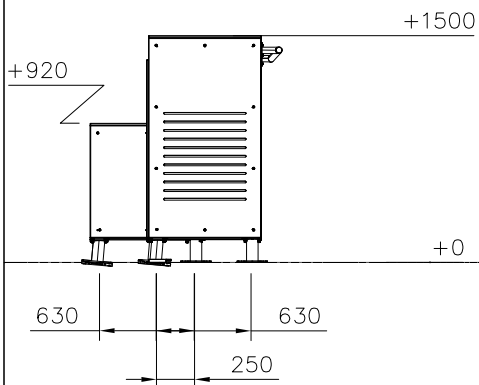
$\text{Ø}8 \times 70$

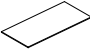




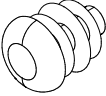

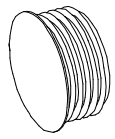
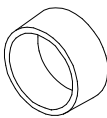
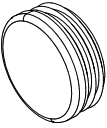
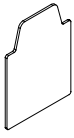


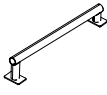
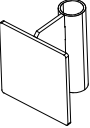

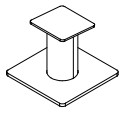

(900240)

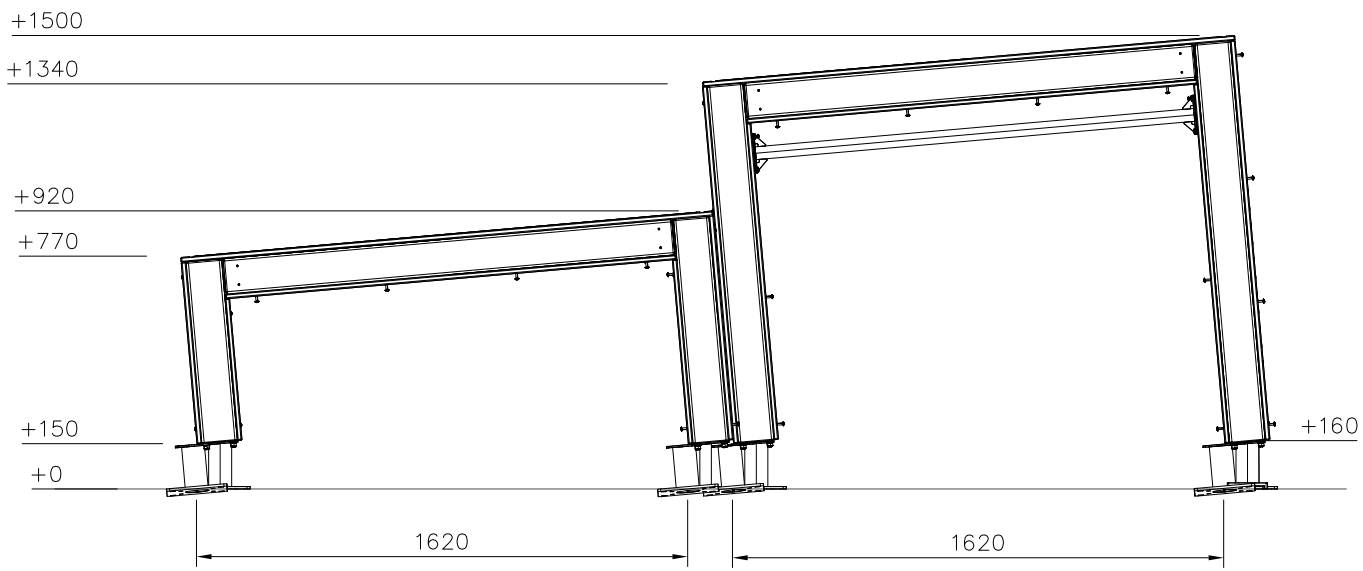
$\text{Ø}8 \nabla 15$



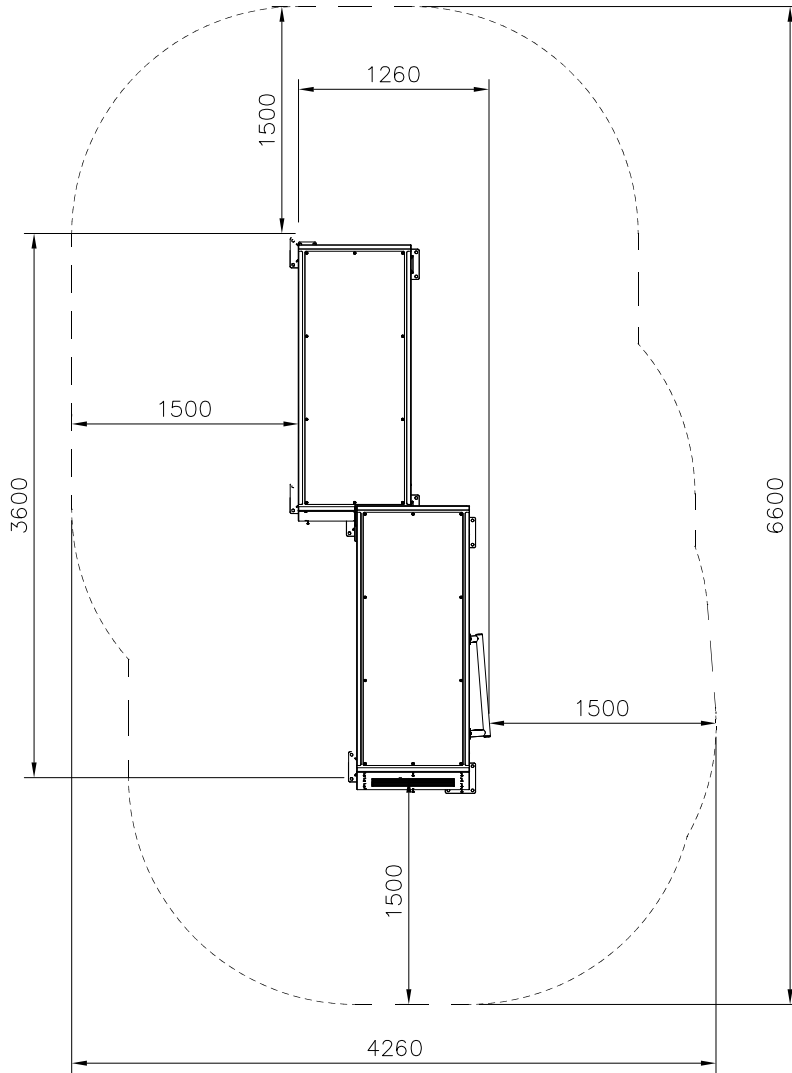
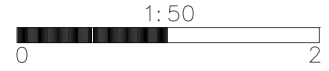
① 702286  65x65	PCS 1	② 707210  118x118x503	PCS 8
③ 707213  118x118x1490	PCS 4	④ 708042  118x118x1185	PCS 2
⑤ 708125  118x118x1326	PCS 2	⑥ 708127  118x118x603	PCS 2
⑦ 708137  118x118x745	PCS 2	⑧ 712612  16x745x1766	PCS 2
⑨ 712610  16x745x1185	PCS 1	⑩ 712609  16x745x1326	PCS 1
⑪ 712608  16x603x745	PCS 1	⑫ 712607  16x745x745	PCS 1
⑬ 708834  16x745x469	PCS 1	⑭ 708835  16x745x611	PCS 1
⑮ 708857 JIG  20x133x149	PCS 1	⑯ 709204  15x745x1495	PCS 1



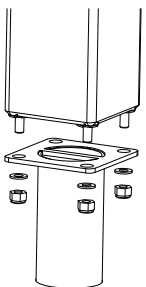
17 911303 COLOR  15x745x1495 PCS 1	18 911305 COLOR  15x745x1192 PCS 1	19 911307 COLOR  15x745x1050 PCS 1	20 900240  Ø8x70 PCS 76	21 903093  Ø8x90 PCS 20	22 903533  SRL12 PCS 6
23 980114  Ø4x20 PCS 4	24 905103  PT-28/32-H PCS 16	25 905112  Ø22 PCS 16	26 908371  42-38/40 PCS 2	27 908698  3x114x108 PCS 16	28 980100  Ø5x60 PCS 96
29 910328  L 1466 PCS 1	30 910056  140x690 PCS 1	31 910266  90x108x118 PCS 8	32 980123  Ø7x60 PCS 91	FOOT OPTIONS 709261+ 709262+ ○ 910267 PCS 8 ○ 910567 PCS 8 SURFACE CONCRETE   152x200x200 117x117x715	



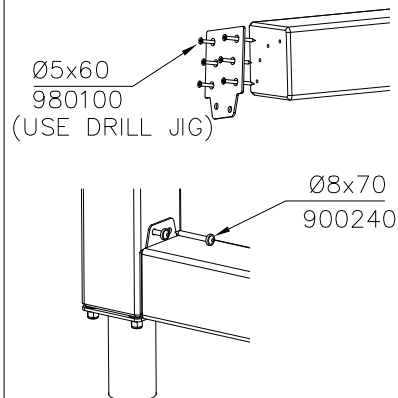
----- Falling Space 23.5 m²
 Max Falling Height 1500 mm



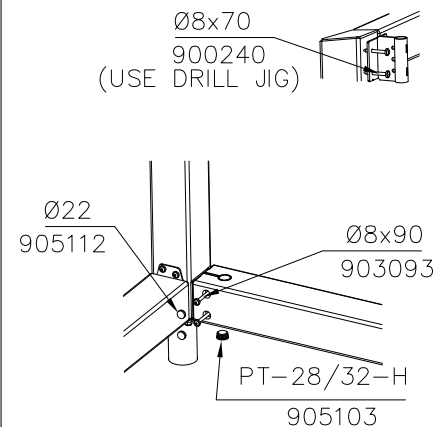
DET 1



DET 2

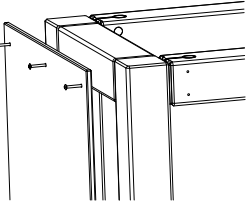


DET 3



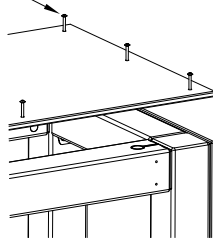
DET 4

Ø7x60
980123



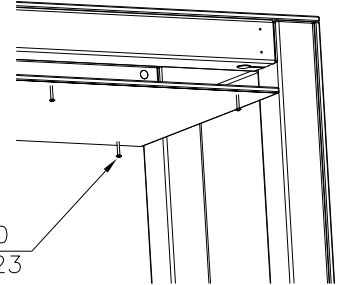
DET 5

Ø7x60
980123



DET 6

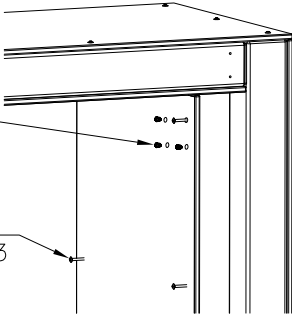
Ø7x60
980123



DET 7

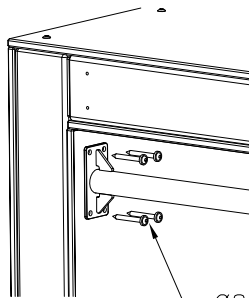
SRL12
903533

Ø7x60
980123



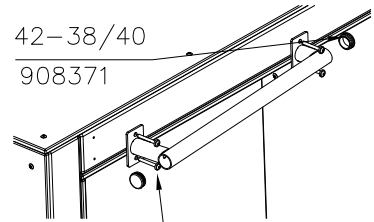
DET 8

Ø8x70
900240



DET 9 DRILL PREHOLES
Ø6mm BEFORE
INSTALLING HANDLES

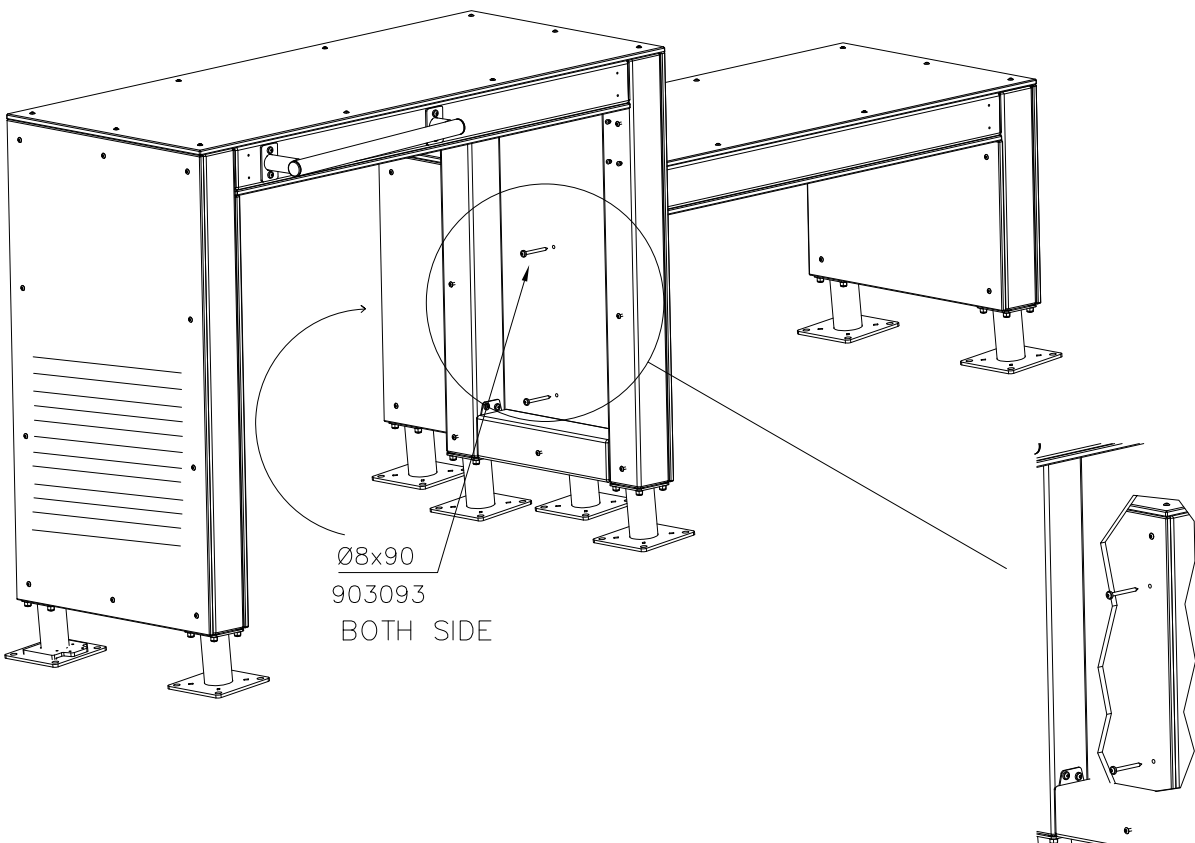
42-38/40
908371

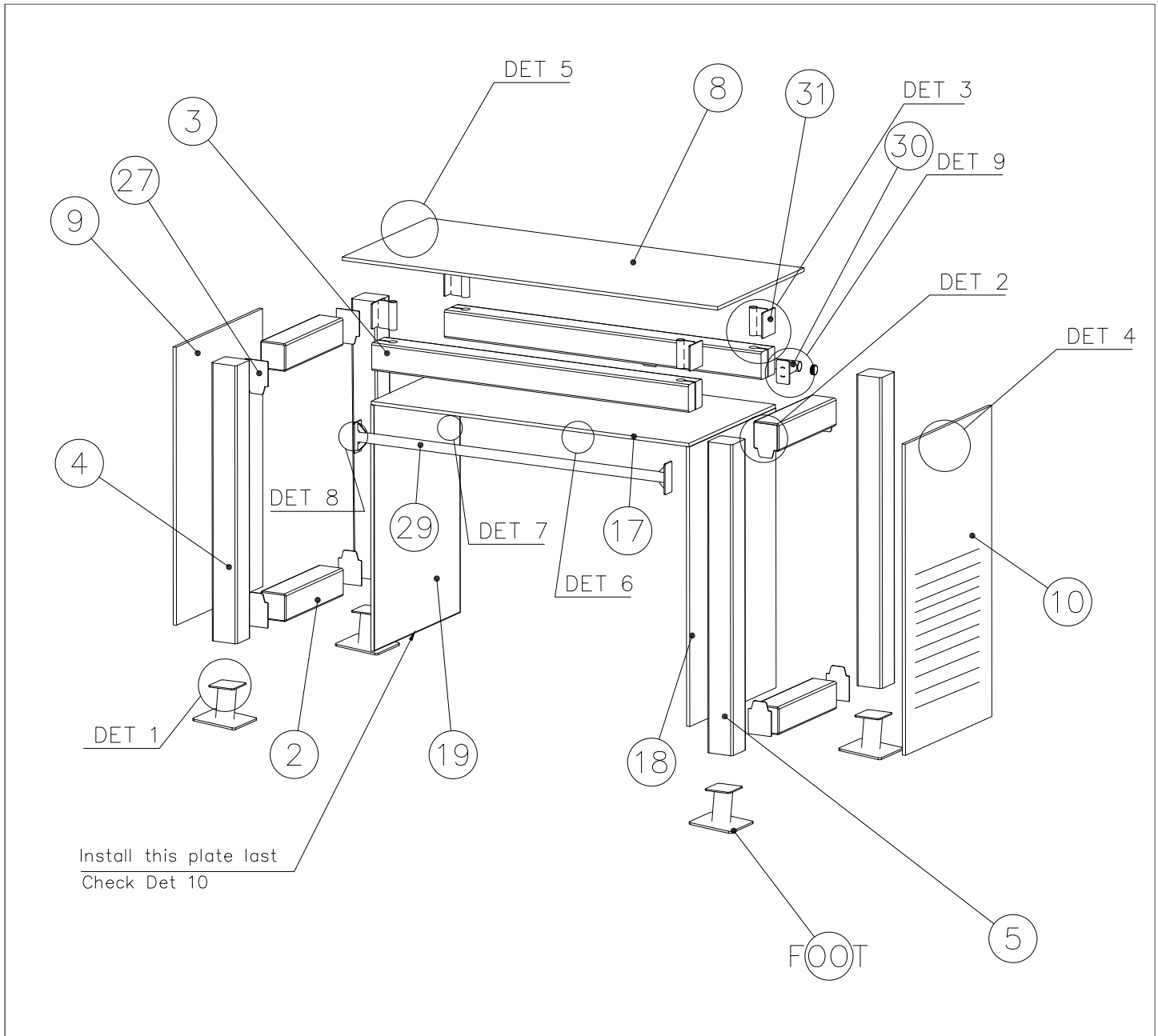


Ø8x70
900240

DET 10

Ø8x90
903093
BOTH SIDE





JIG DET A (USE DET 2-3)

NOTE:

Use drill jig 708857 to predrill $\text{Ø}5 \nabla 50$ holes for 910266 and 908698

708857

910266

908698

$\text{Ø}5 \nabla 50$

JIG DET B (USE DET 9)

Plywood

Frame

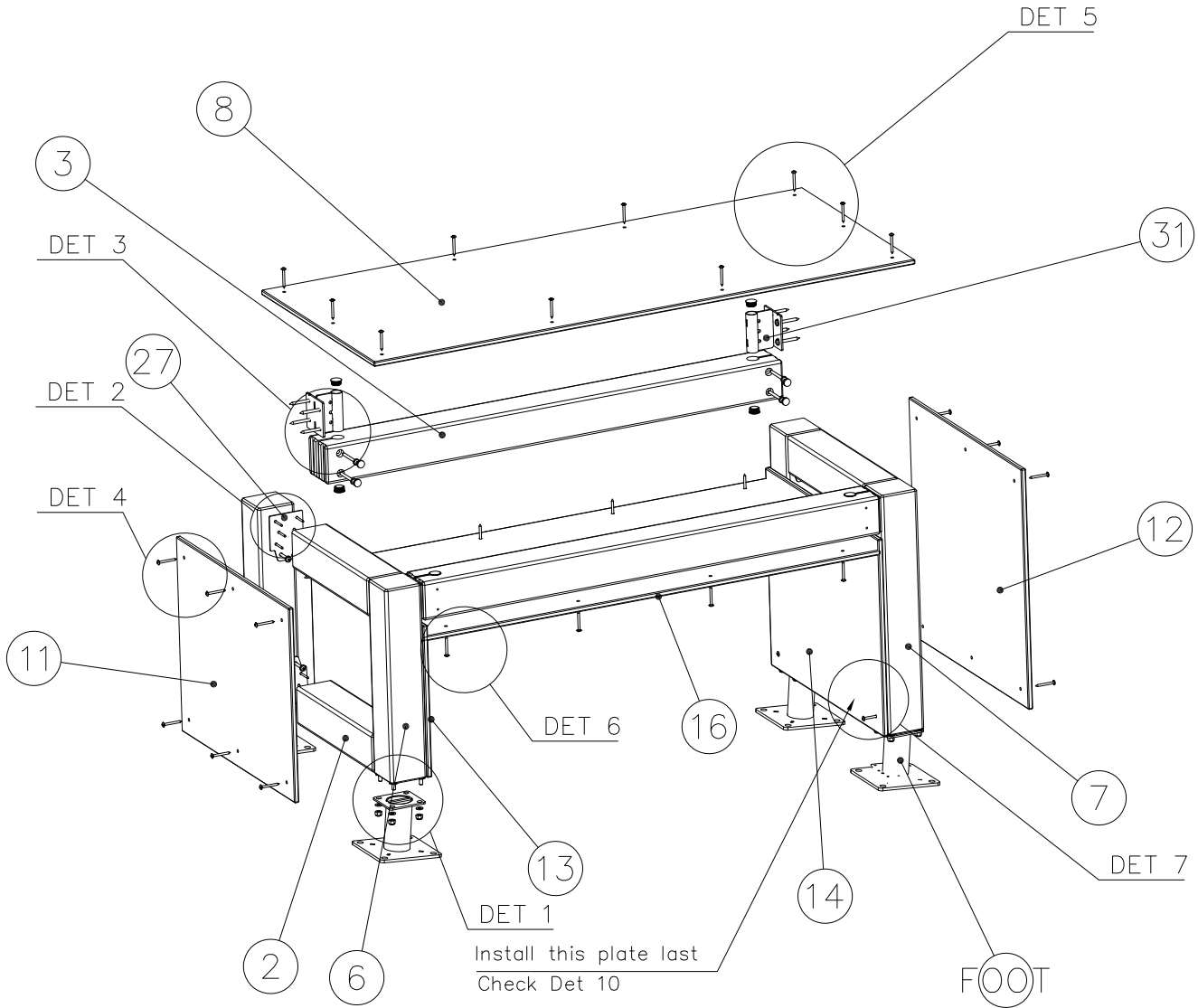
708857

910056

$\text{Ø}8 \times 70$

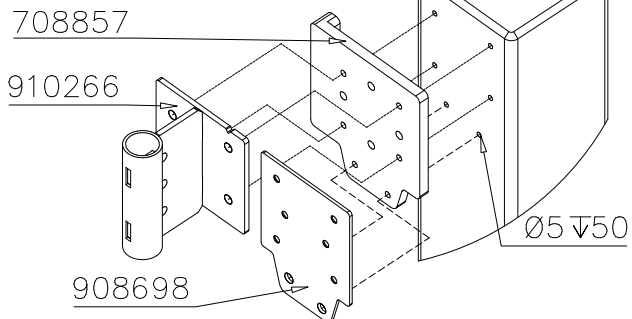
(900240)

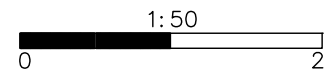
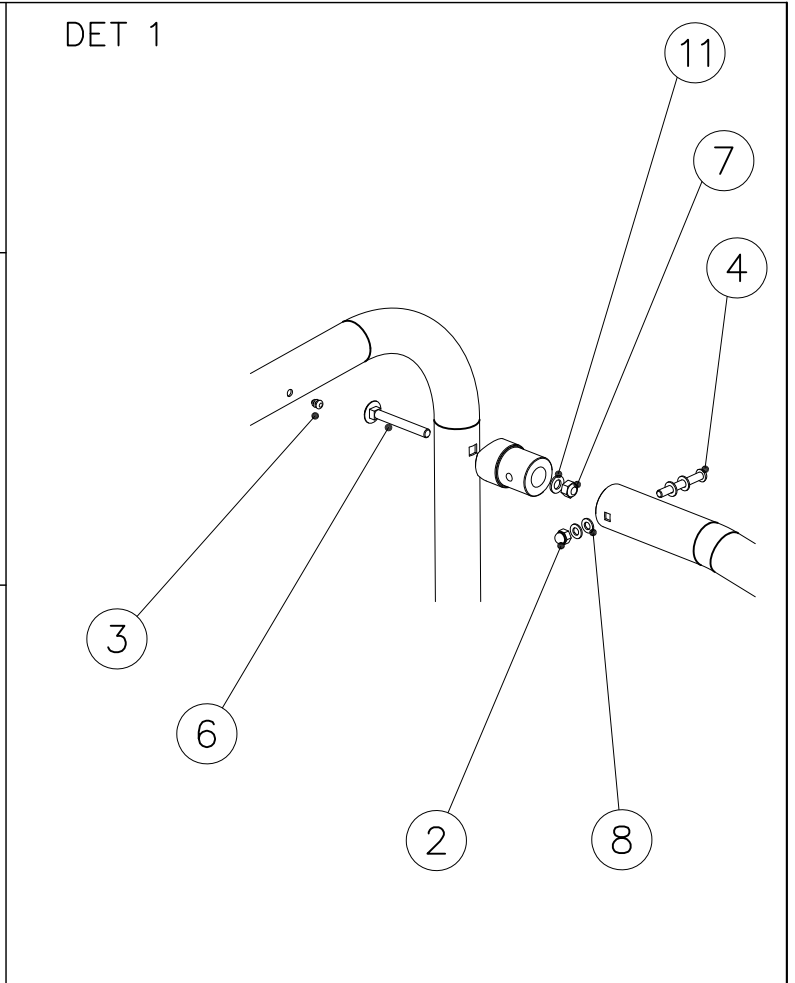
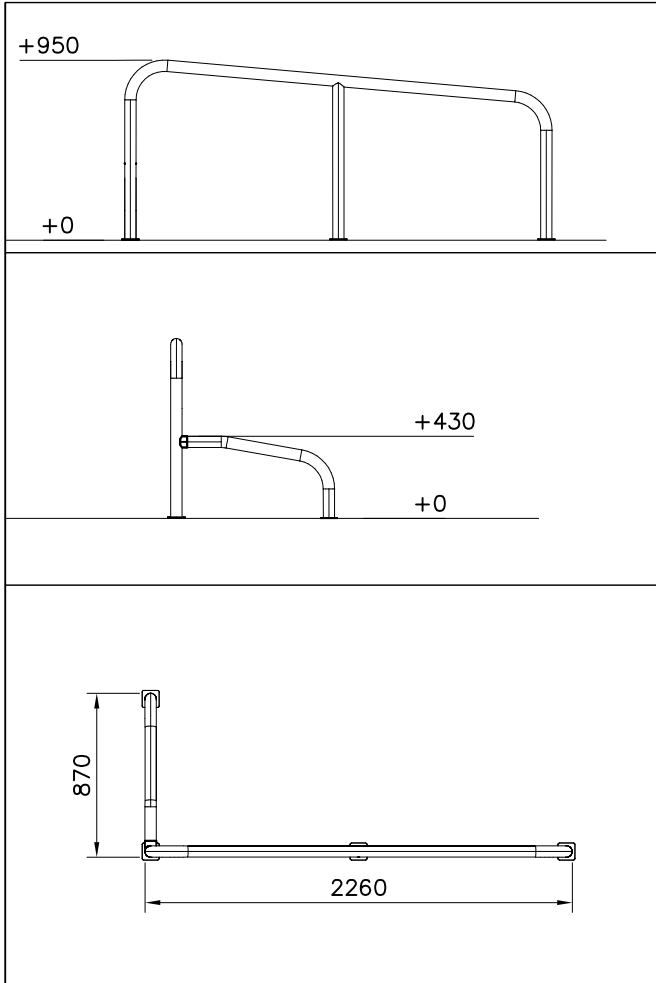
$\text{Ø}8 \nabla 15$



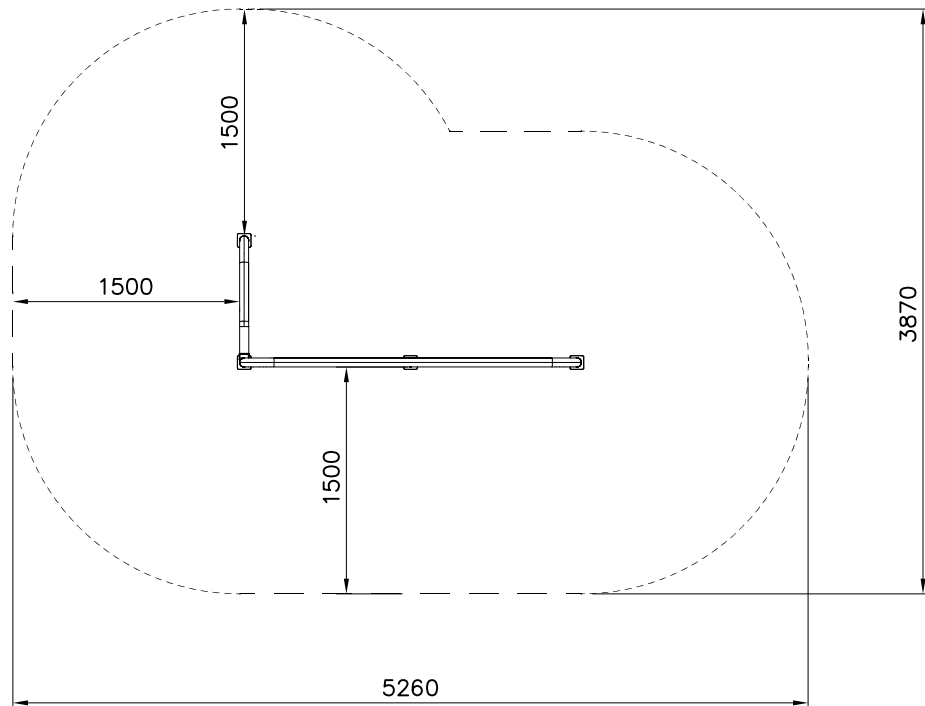
JIG DET A (USE DET 2-3)

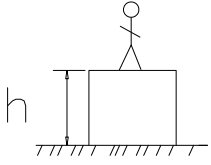
NOTE:
Use drill jig 708857
to predrill $\text{Ø}5 \nabla 50$
holes for 910266
and 908698





----- Falling Space 16.2 m²
 Max Falling Height 950 mm





$h < 1600$

Totally hard surfaces or materials with very limited impact attenuating properties.

Case by case risk assessment is needed including e.g. evaluation whether there is forced movement, what is the intended exercise and where will the product be installed.

Materials with significant impact attenuating properties.

Totally hard surfaces.
E.g. concrete or asphalt



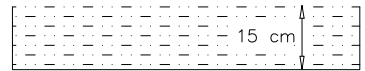
Materials with very limited impact attenuating properties.
E.g. wood



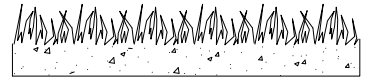
fine gravel 0–8 mm



Unsorted sand/ topsoil



Lawn

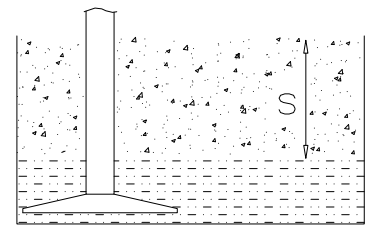


$h = 1600-$

$h < 3000$

Loose fill material

E.g.
sand/gravel 0,25...8 mm $D_{60}/D_{10} < 3,0$
Woodchips 5...30 mm
bark 20...80 mm

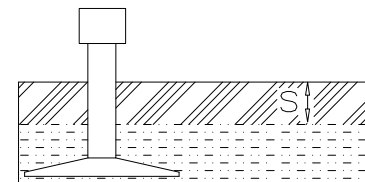


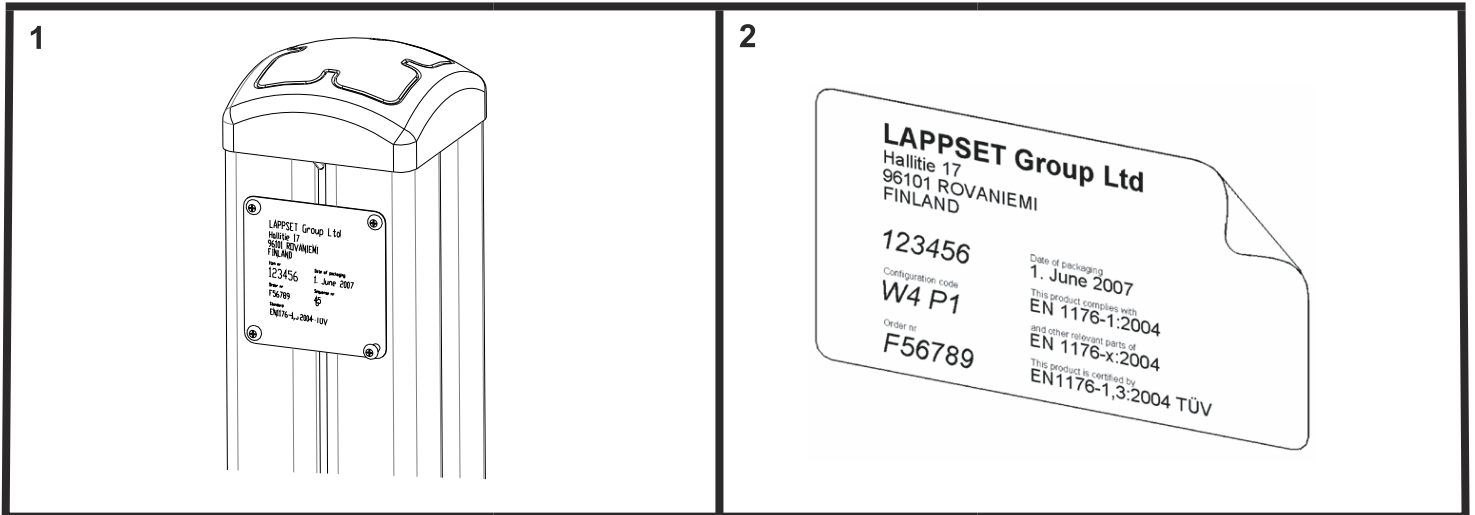
\underline{S}
30 cm \underline{h}
 < 3,0 m

Synthetic granulates

\underline{S}	\underline{h}
40 mm	~> 1,6...~< 1,8 m
50 mm	~> 1,8...~< 2,25 m
55 mm	~> 2,25...~< 2,4 m
60 mm	~> 2,4...~< 2,55 m
70 mm	~> 2,55...~< 3,0 m

Note. For accurate values, see manufacturer's instructions.





Tuotekyltti tulee tuotteen mukana yhdellä seuraavista tavoista:

1) Metallinen tuotekyltti ja kiinnitysruuvit

- Kiinnitä tuotekyltti ruuveilla tolppaan noin 2 metrin korkeuteen kuvan 1 mukaisesti.

2) Tuotekylttitarra

- Puhdista maalattu metalli- tai vaneripinta pölystä ja kosteudesta. Liimaa tarra kuvan 2 mukaisesti.
- Huom. Älä kiinnitä tarraa karheapintaiseen laminaattiin tai maalattuun puuhun.

Vår produktmärkning levereras på ett av följande sätt:

1) Produktskylt i metall

- Fäst skylten med de medföljande skruvarna

2) Självhäftande produktetikett

- Rengör den pulverlackerade metallytan eller laminatyten så att den blir fri från smuts och fukt. Fäst etiketten enligt fig. 2.
- Obs! Fäst ej etiketten på detaljer med skrovlig yta eller på målat trä.

Product label is delivered by one of following ways:

1) Metal product label and screws

- Fasten the label with screws.

2) Label sticker

- Clean the painted metal or plywood surface from dirt and moisture. Fasten the sticker as shown in the figure 2.
- Note. Do not attach the sticker to rough surfaced laminate or painted wood.

La plaque d'informations produit est livrée sous l'une de ces 3 formes :

1) Plaque métallique et vis

- Fixez la plaque à l'aide des vis.

2) Etiquette autocollante

- Avant de coller l'étiquette, nettoyez le composant métallique peint ou la plaque de contreplaqué, de toute saleté. La surface doit être sèche (voir image 2).
- Attention, ne pas coller l'étiquette sur une surface lamellé-collée irrégulière ou sur du bois peint.

Die Auslieferung des Produktaufklebers erfolgt auf eine dieser Arten:

1) Produkt-Schild aus Metall incl. Schrauben

- Die Befestigung des Schildes erfolgt mittels der Schrauben.

2) Aufkleber

- Entfernen Sie zunächst Schmutz und Feuchtigkeit vom lackierten Metall bzw. von der Holzoberfläche und bringen Sie den Aufkleber wie im Bild oben rechts beschrieben auf den gesäuberten Untergrund auf.
- Beachten Sie: Bringen Sie den Aufkleber nicht auf raues laminiertes oder lackiertes Holz an.