

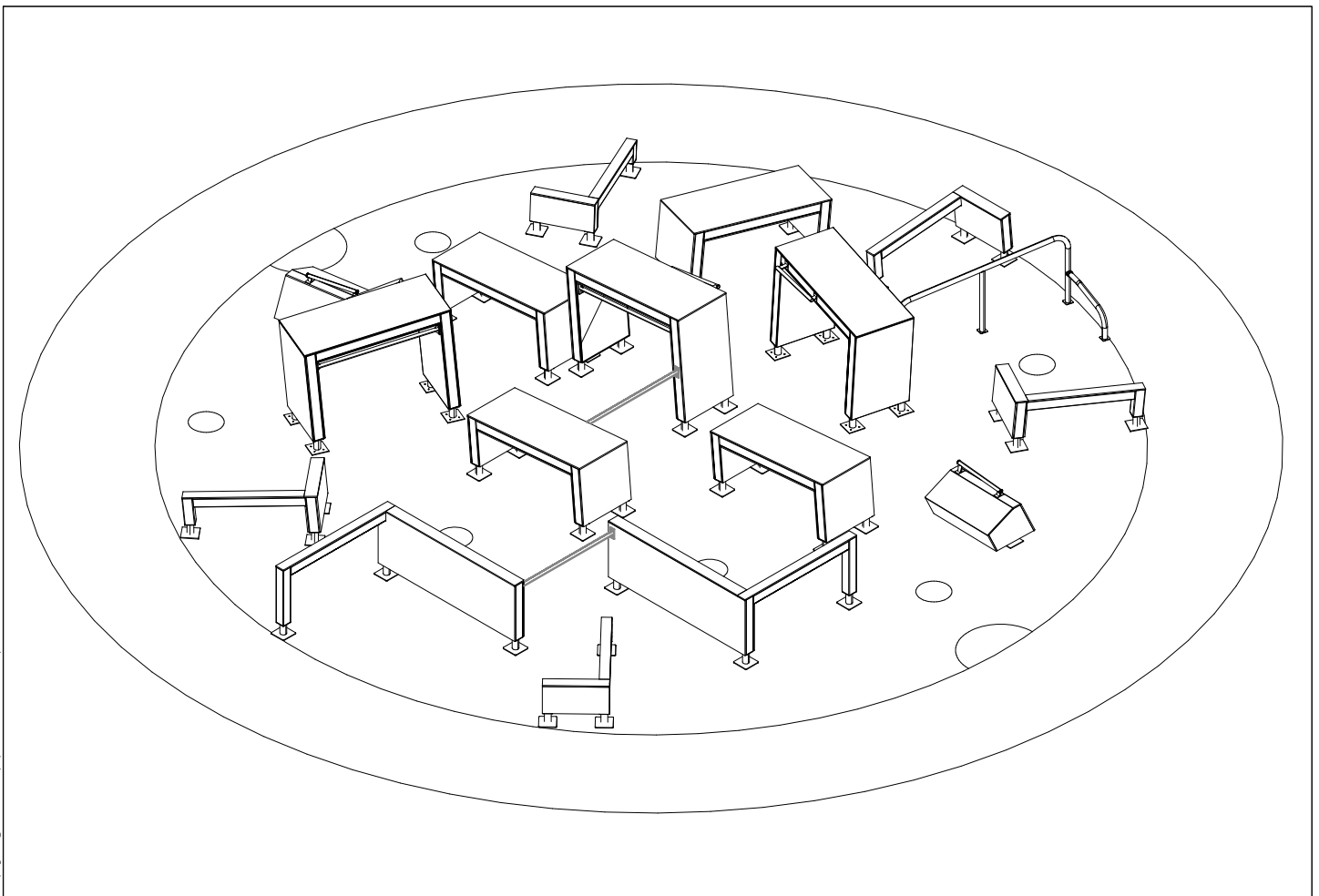
# **LAPPSET®**

## **DASH PARKOUR**

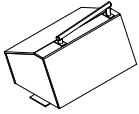
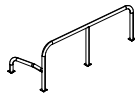
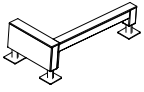
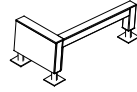
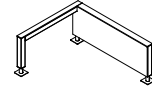
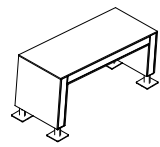






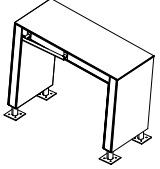
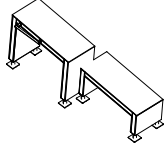
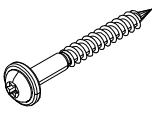

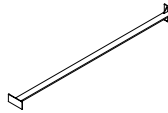



ASENNUSOHJE  
MONTERINGSANSVISNING  
INSTALLATION INSTRUCTION  
AUFBAUANLEITUNG  
NOTICE D'INSTALLATION

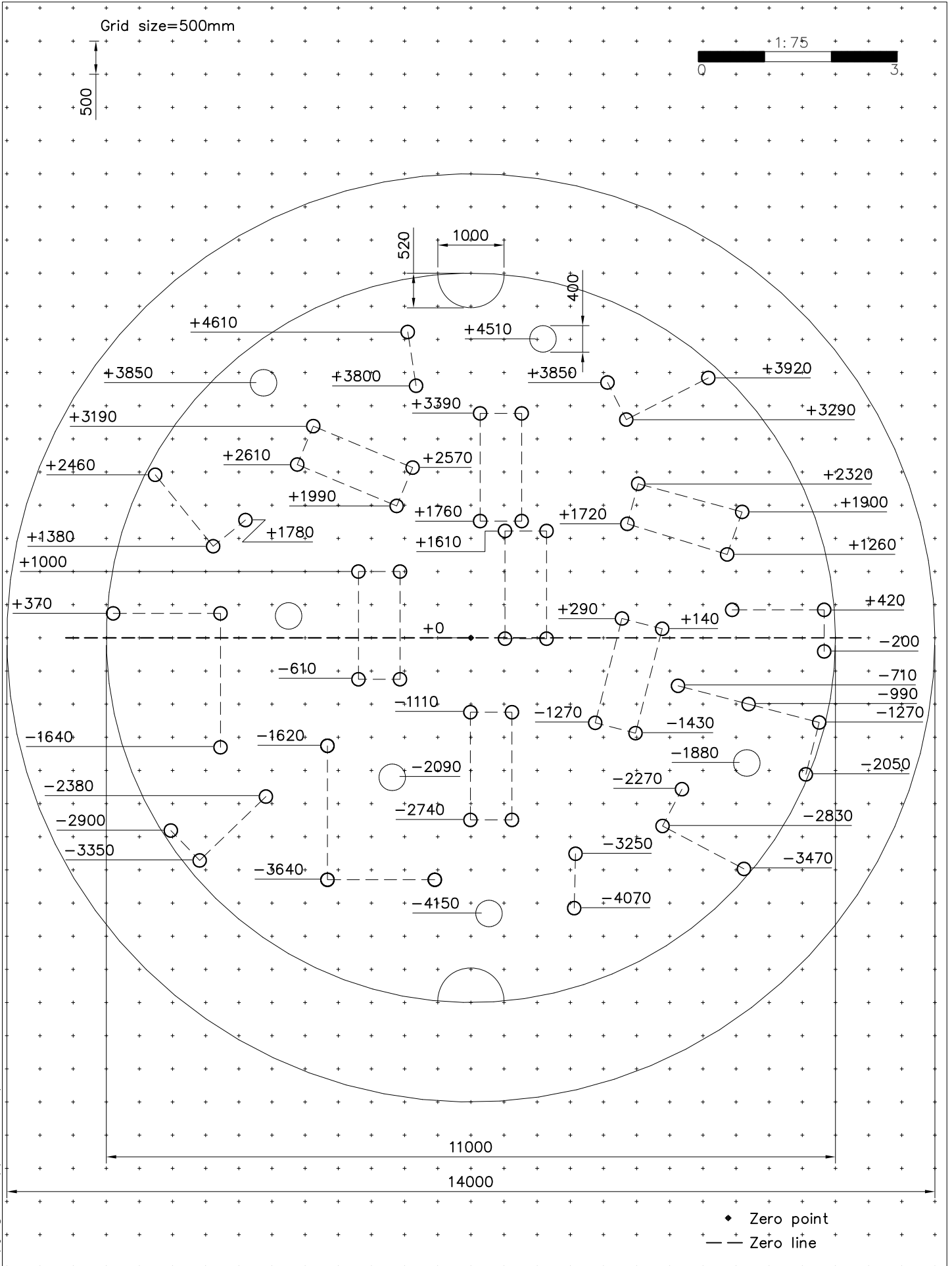
DATE: 8.9.2020

### **081790M**

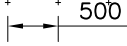


DATE: 8.9.2020

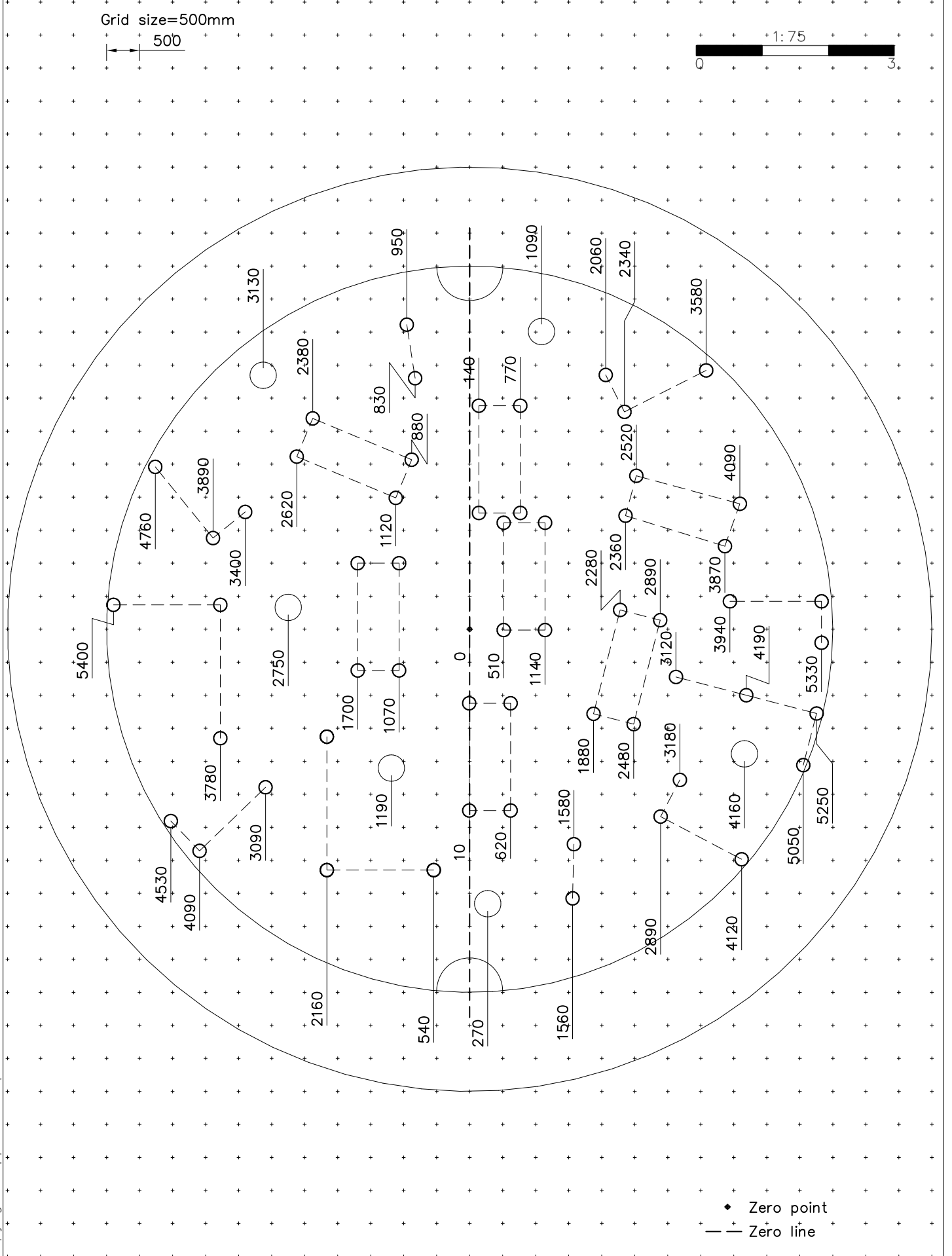
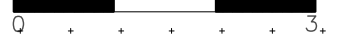
081702M	PCS 2	081712M	PCS 1	081720M	PCS 2	081721M	PCS 3	081723M	PCS 2	081730M	PCS 3
											
											
081731M	PCS 2	081736M	PCS 1	900240	PCS 16	910328	PCS 1	910513	PCS 1	702341	PCS 1
											
				Ø8x70		L 1466		L 1466		90x50	
	PCS		PCS		PCS		PCS		PCS		PCS
	PCS		PCS		PCS		PCS		PCS		PCS
	PCS		PCS		PCS		PCS		PCS		PCS
	PCS		PCS		PCS		PCS		PCS		PCS

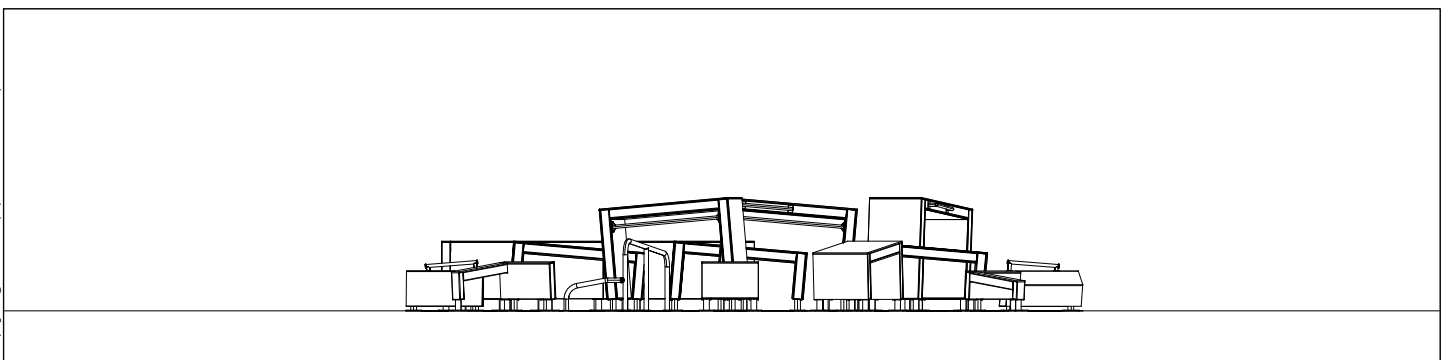
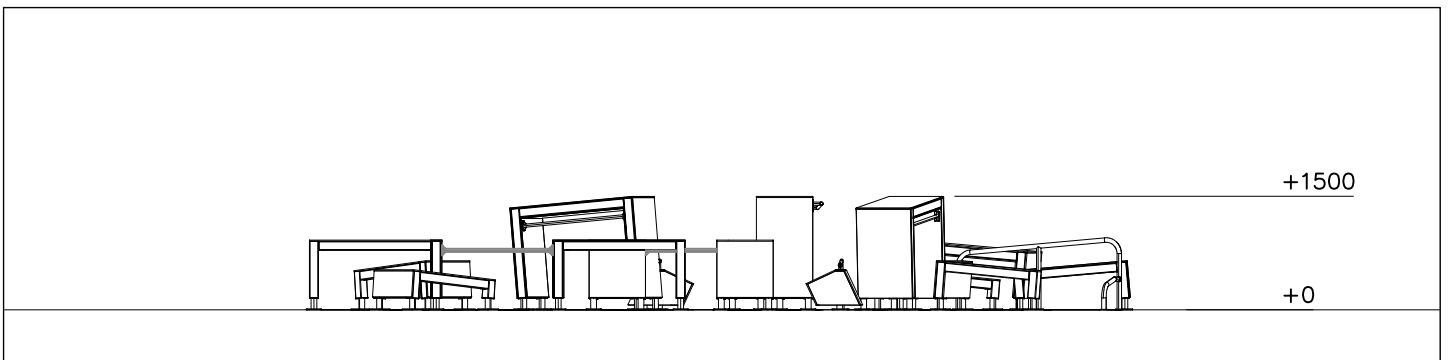
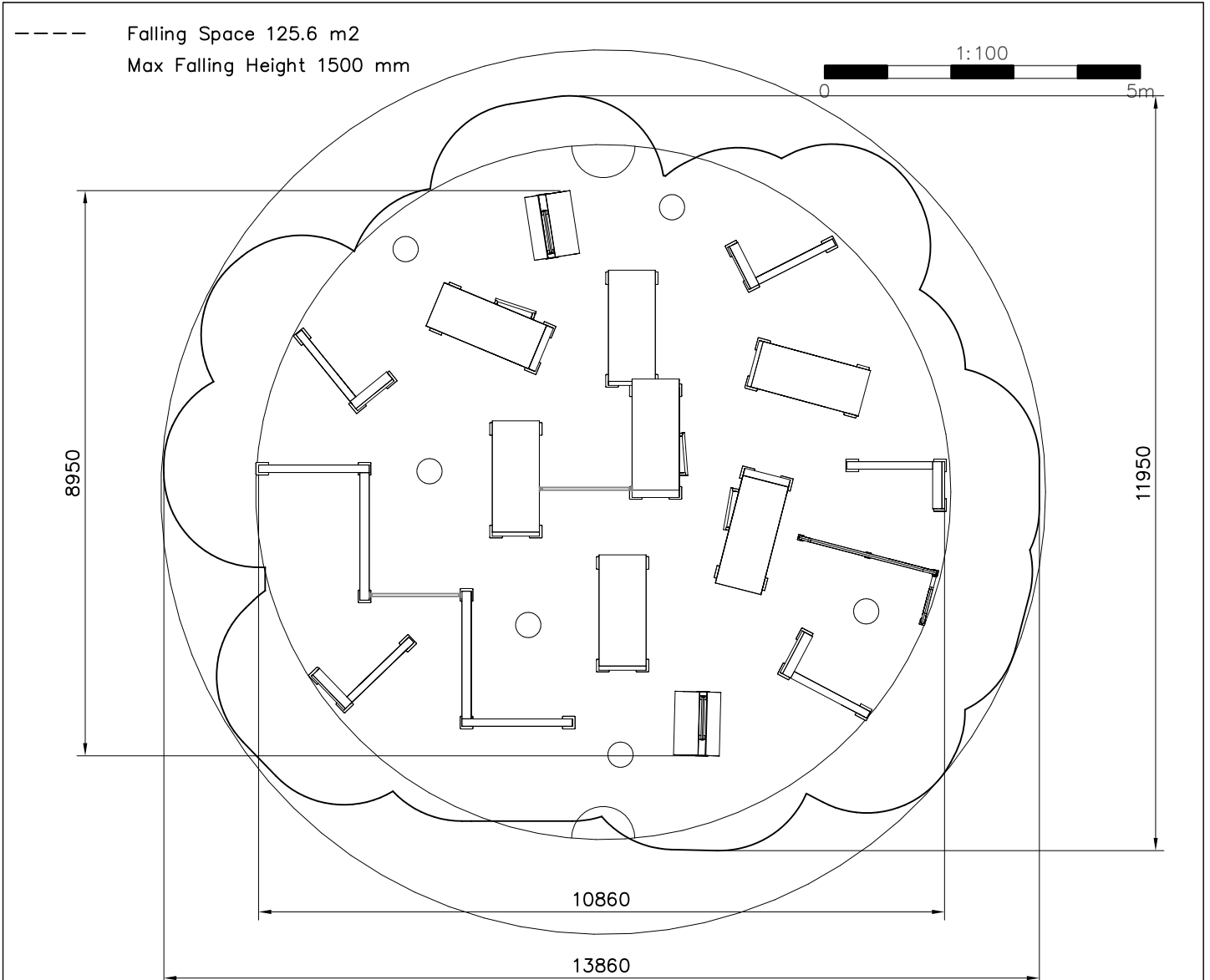


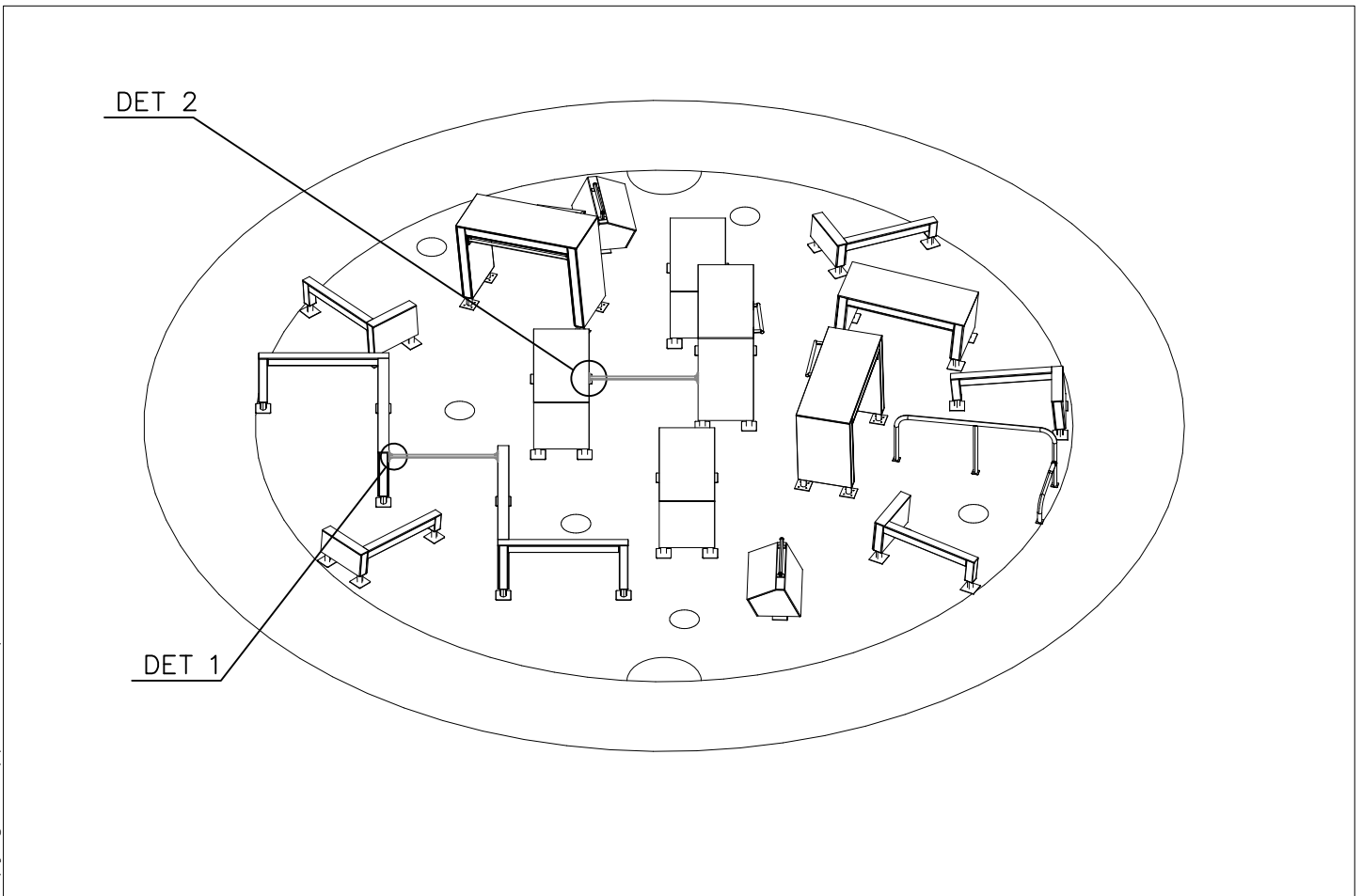
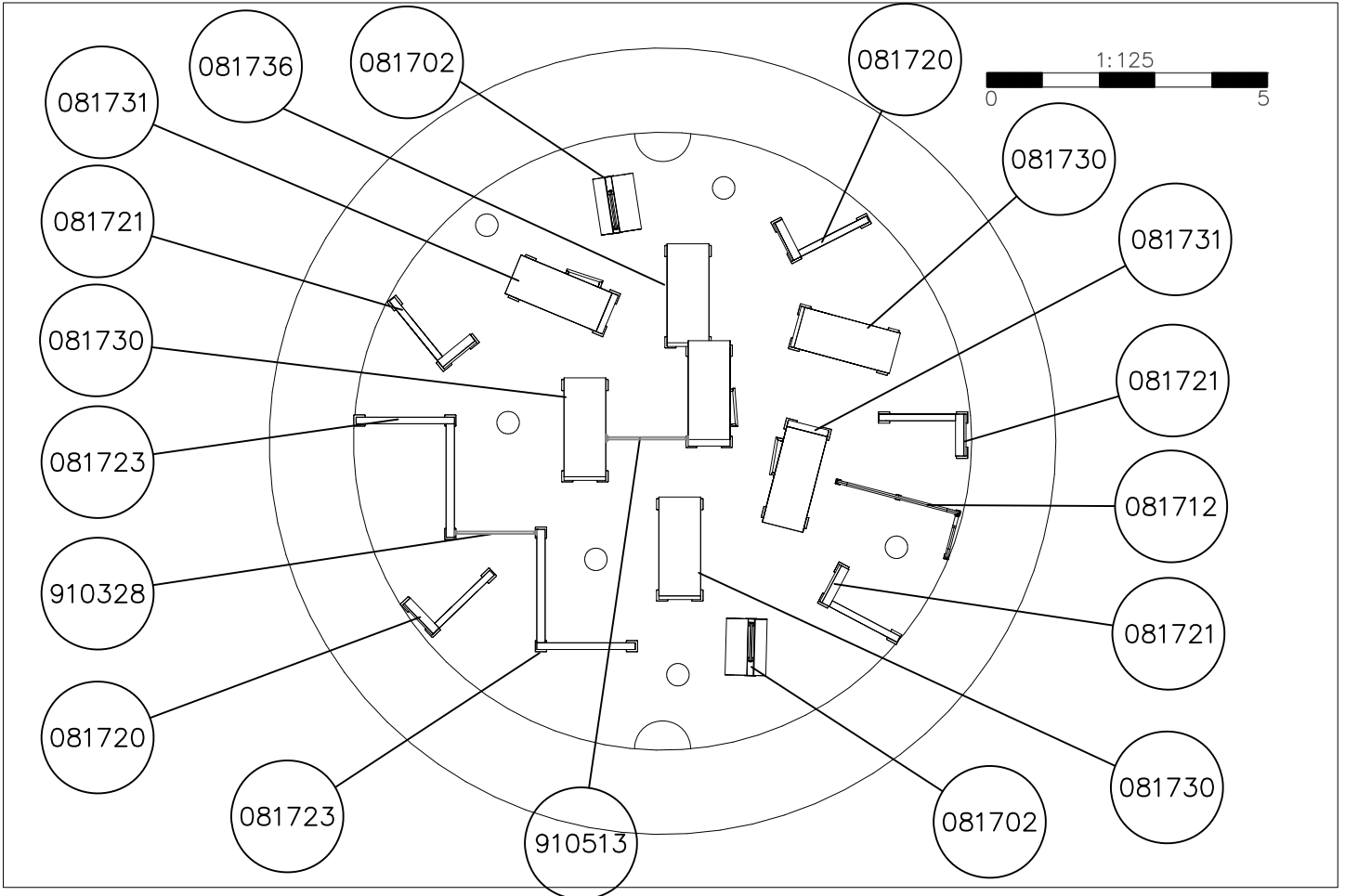
Grid size=500mm

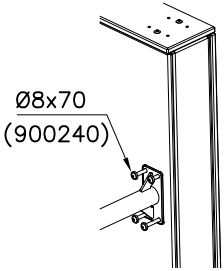
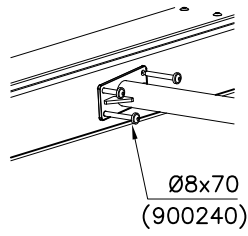


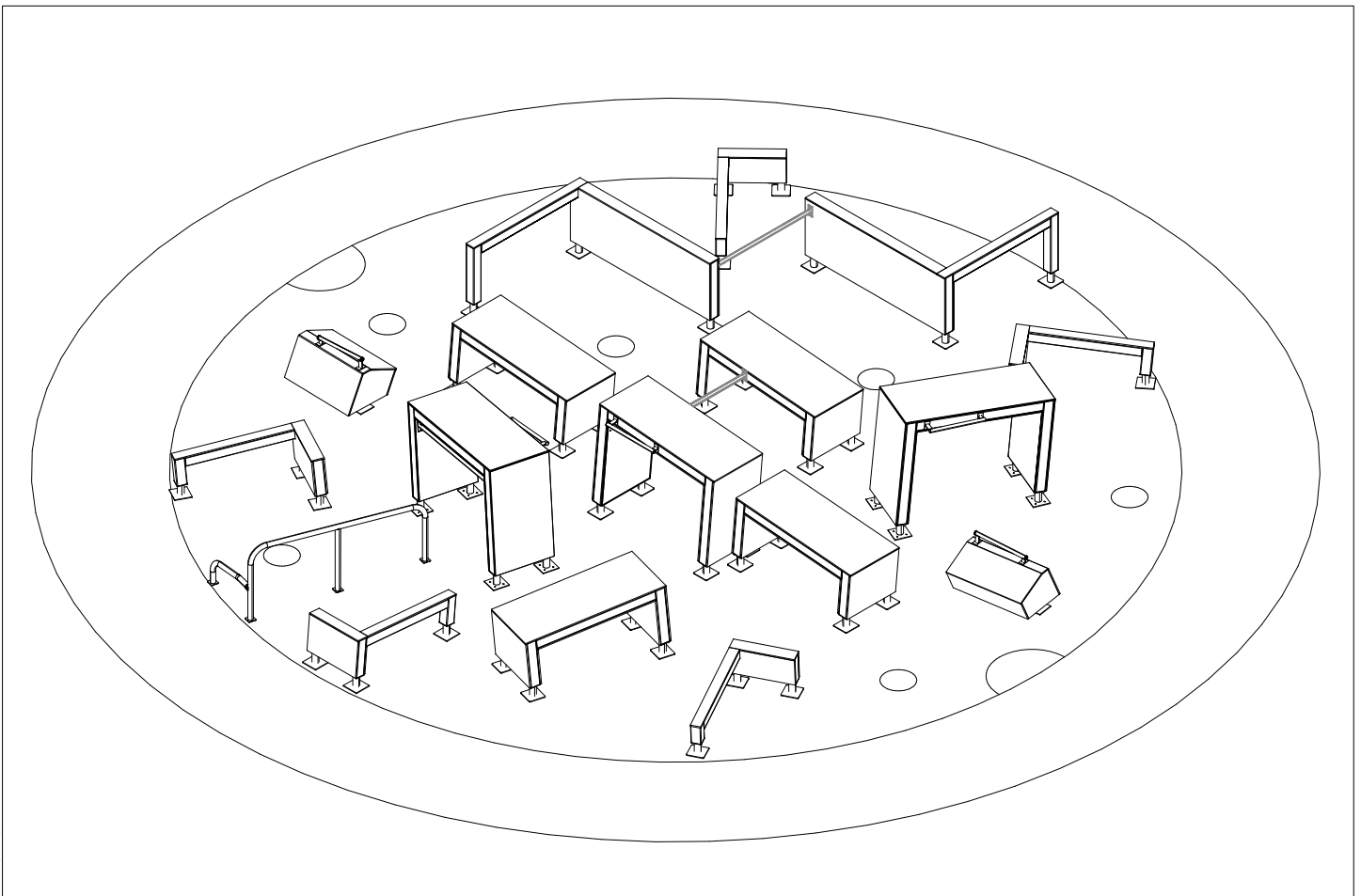
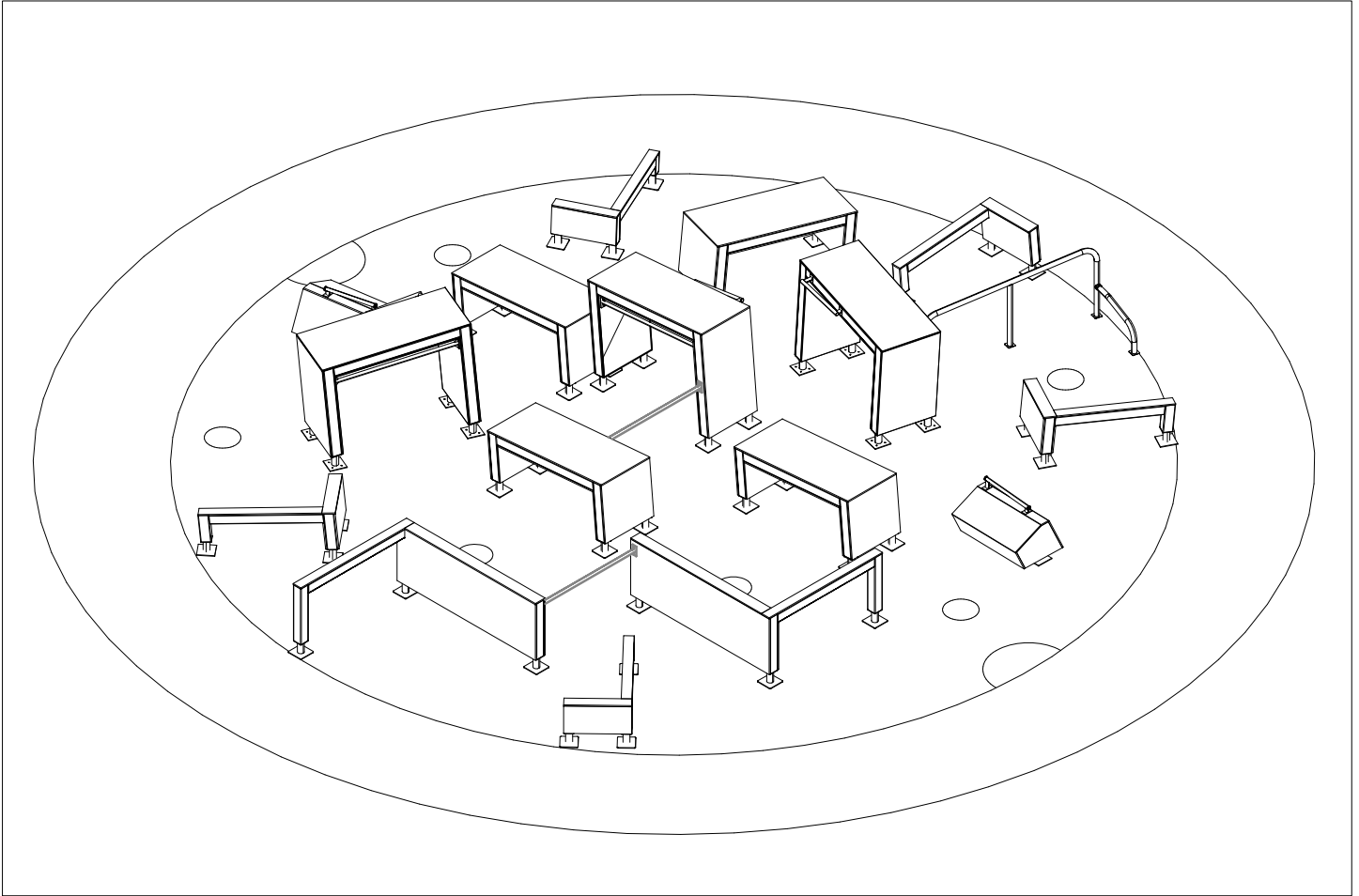
1:75



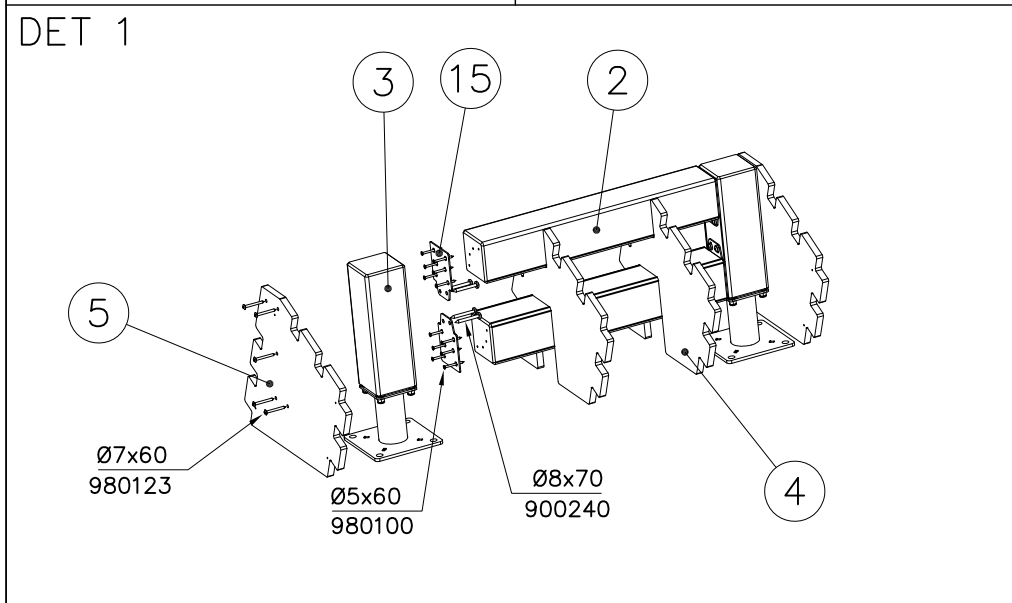
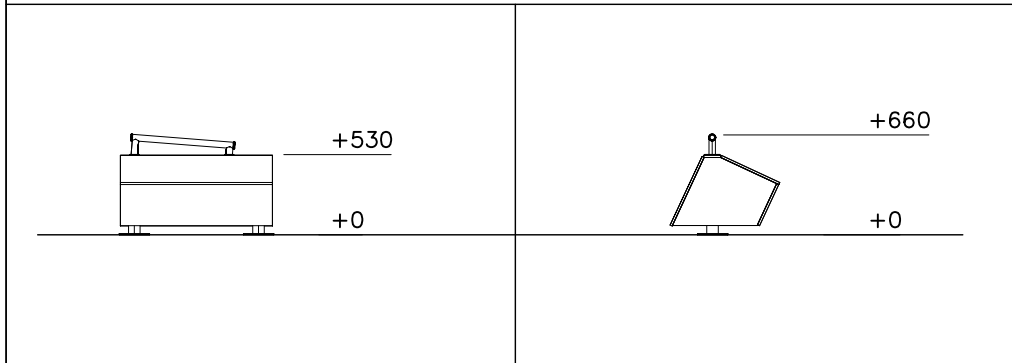
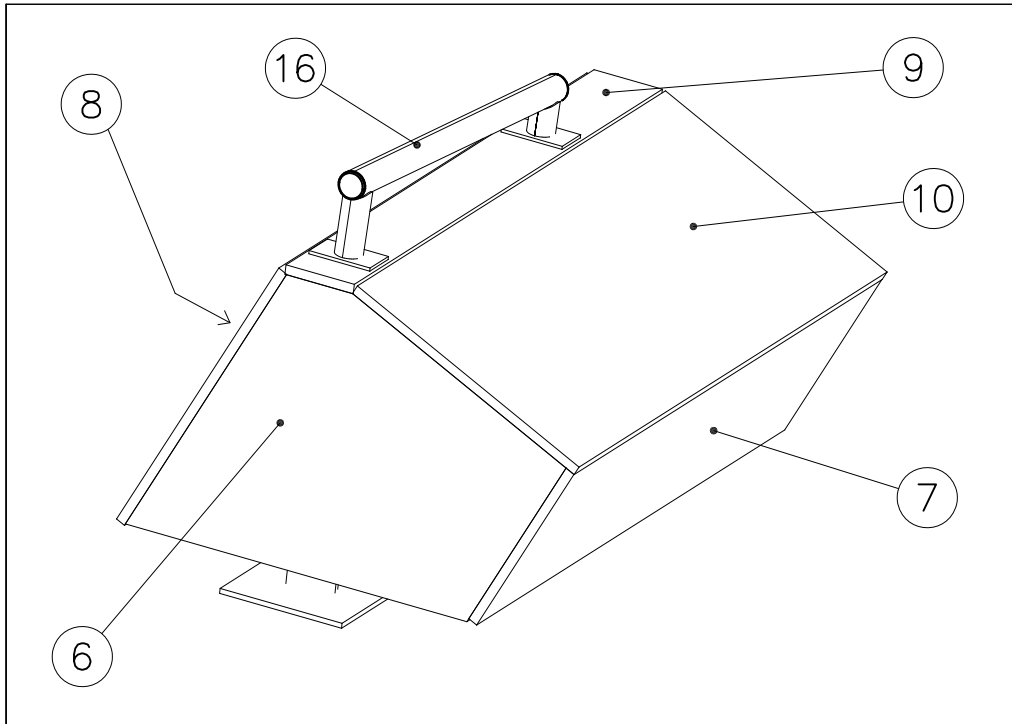


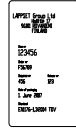
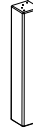
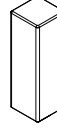
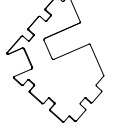
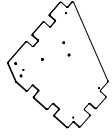
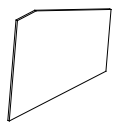
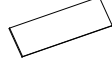

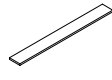
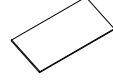



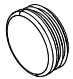


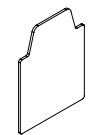
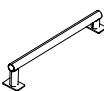




<p>DET 1</p>  <p>Ø8x70 (900240)</p>	<p>DET 2</p>  <p>Ø8x70 (900240)</p>		

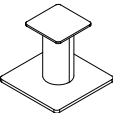



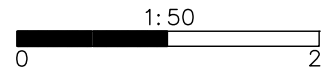
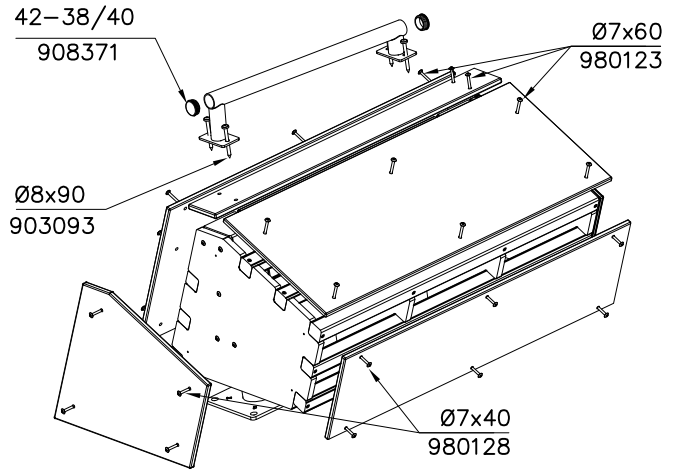
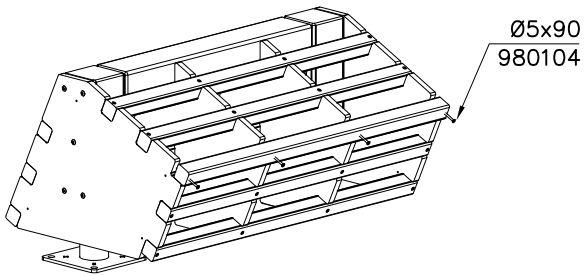
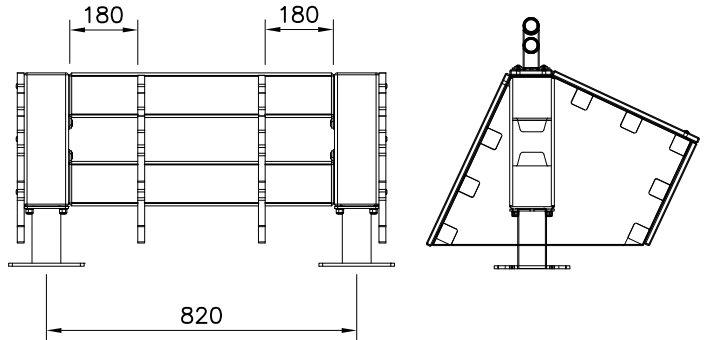




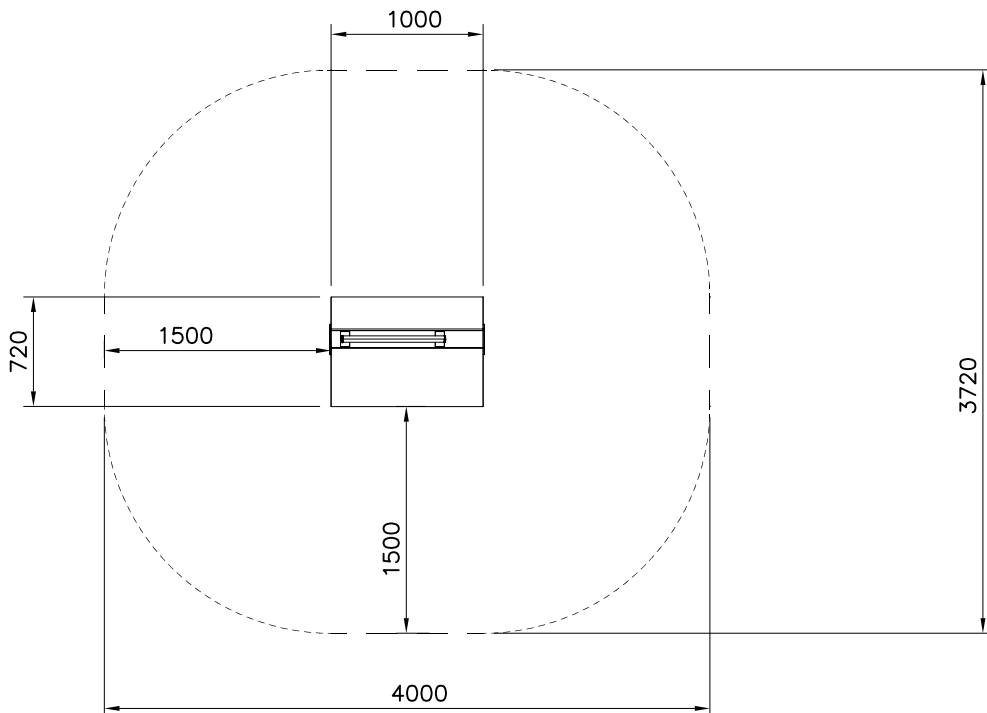
① 702341  90x50	PCS 1	② 708109  118x118x697	PCS 2
③ 708443  118x118x352	PCS 2	④ 708848  18x450x690	PCS 2
⑤ 708849  18x450x690	PCS 2	⑥ 708850  15x450x690	PCS 2
⑦ 708851  15x300x1005	PCS 1	⑧ 708852  15x500x1005	PCS 1
⑨ 708853  15x112x1005	PCS 1	⑩ 708854  15x425x1005	PCS 1
⑪ 708855  45x45x975	PCS 8	⑫ 900240  Ø8x70	PCS 8
⑬ 903093  Ø8x90	PCS 4	⑭ 908371  42-38/40	PCS 2

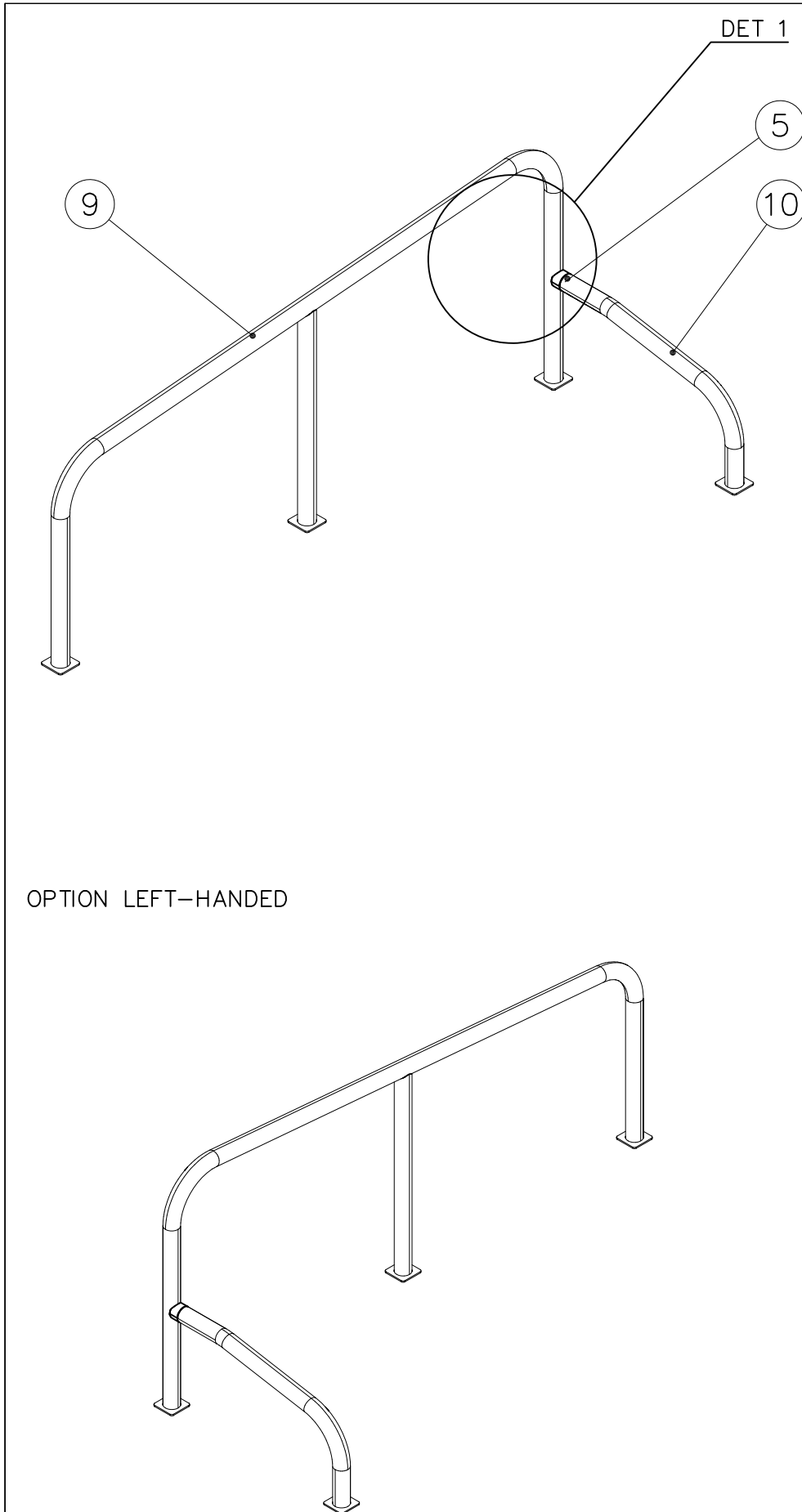
⑮ 908698  3x114x108	PCS 4	⑯ 910056  140x690	PCS 1	⑰ 980100  Ø5x60	PCS 24	⑱ 980104  Ø5x90	PCS 32	⑲ 980123  Ø7x60	PCS 27	⑳ 980128  Ø7x40	PCS 14
--	----------	--	----------	--	-----------	--	-----------	--	-----------	--	-----------

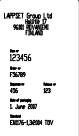


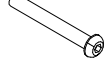
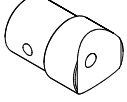
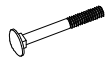


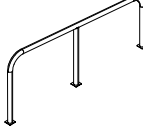
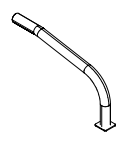

709261+		709262+	
○ 910330	PCS	○ 910567	PCS
SURFACE	2	CONCRETE	2
			
152x200x200		117x117x715	



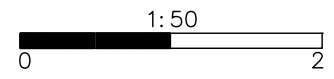
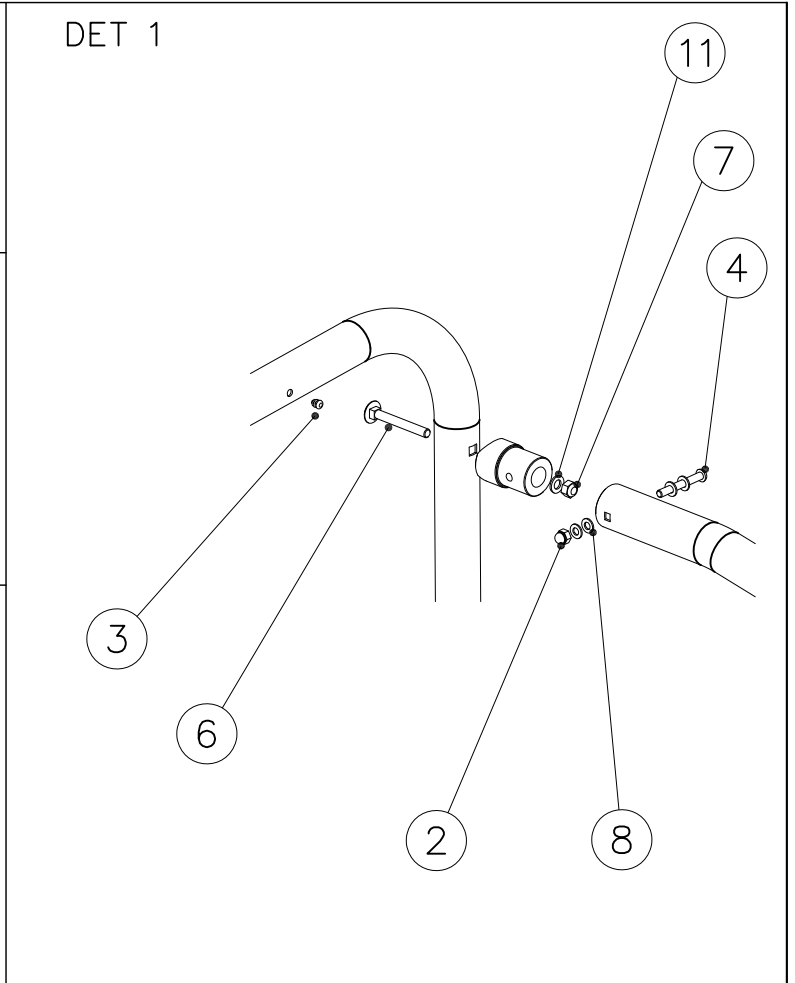
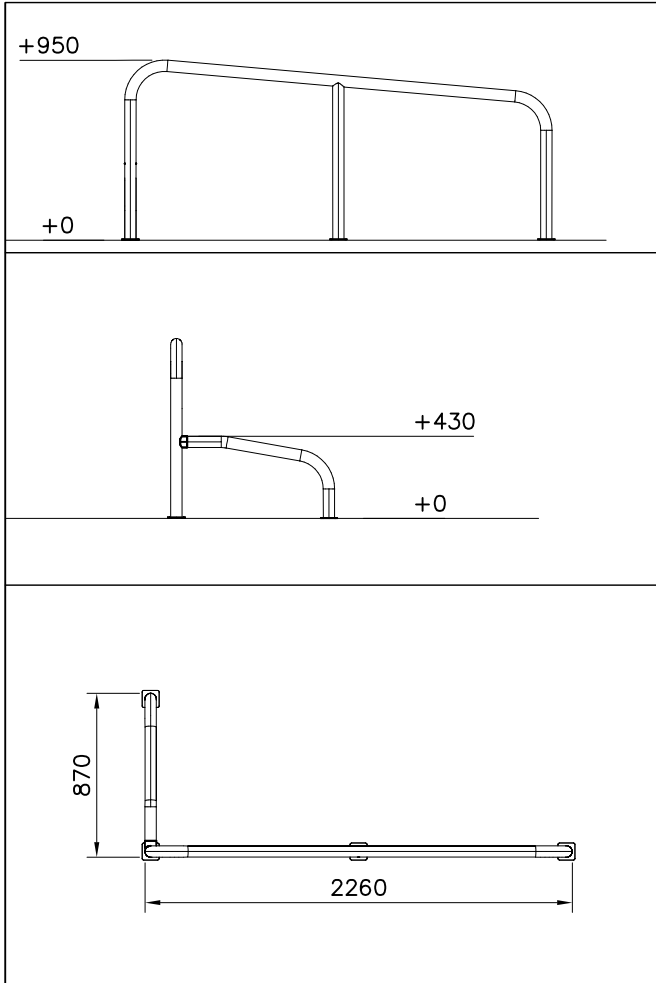
----- Falling Space 13 m<sup>2</sup>  
Max Falling Height 660 mm



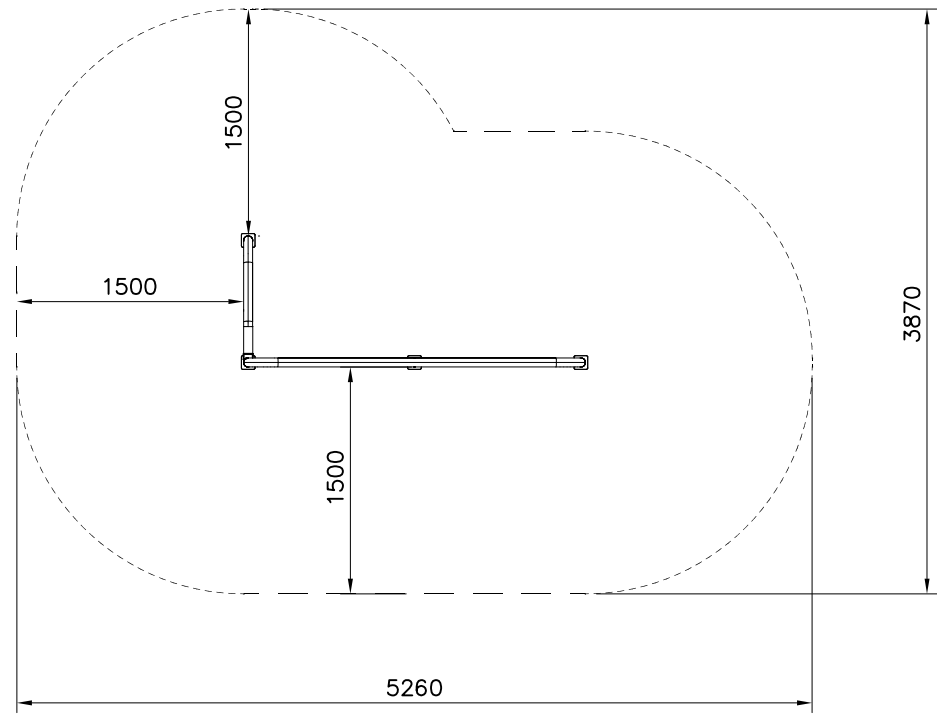


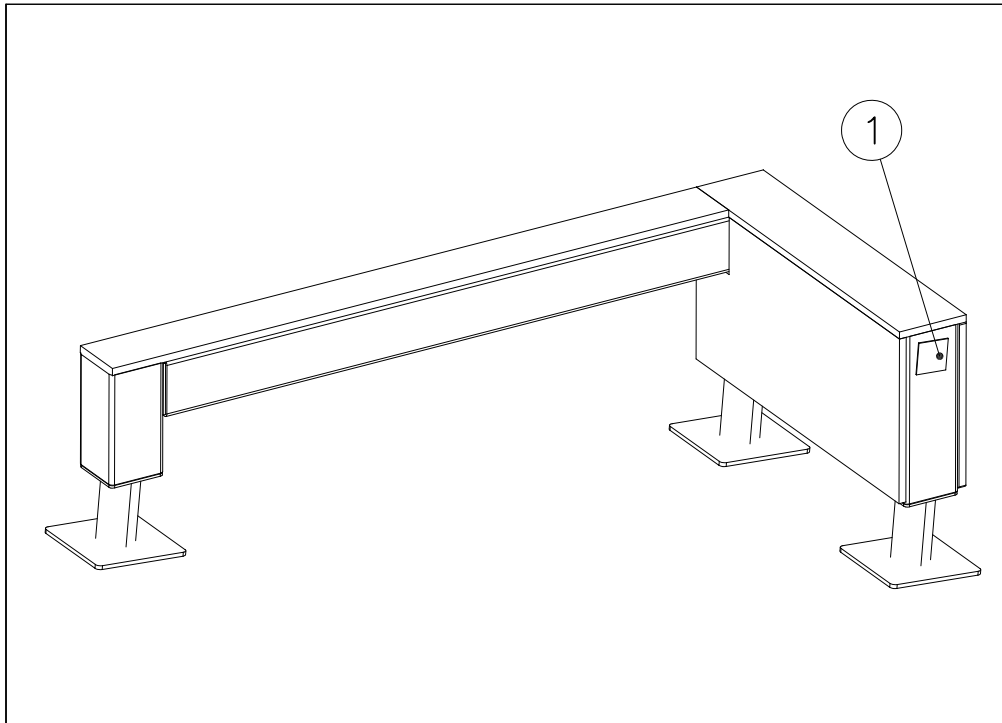
①	702341	PCS	②	900965	PCS
		1			1
	90x50			M10	
③	903533	PCS	④	904133	PCS
		4			1
	SRL12			M10x80	
⑤	908069	PCS	⑥	909111	PCS
		1			1
	Ø60x87.6			M12x100	
⑦	909248	PCS	⑧	909638	PCS
		1			4
	M12			Ø20/10.5	
⑨	910255	PCS	⑩	910262	PCS
		1			1
	Ø60x950x2290			Ø60x435x795	
⑪	980154	PCS			PCS
		1			
	Ø24/13				


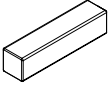
OPTION LEFT-HANDED






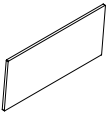
----- Falling Space 16.2 m2  
 Max Falling Height 950 mm

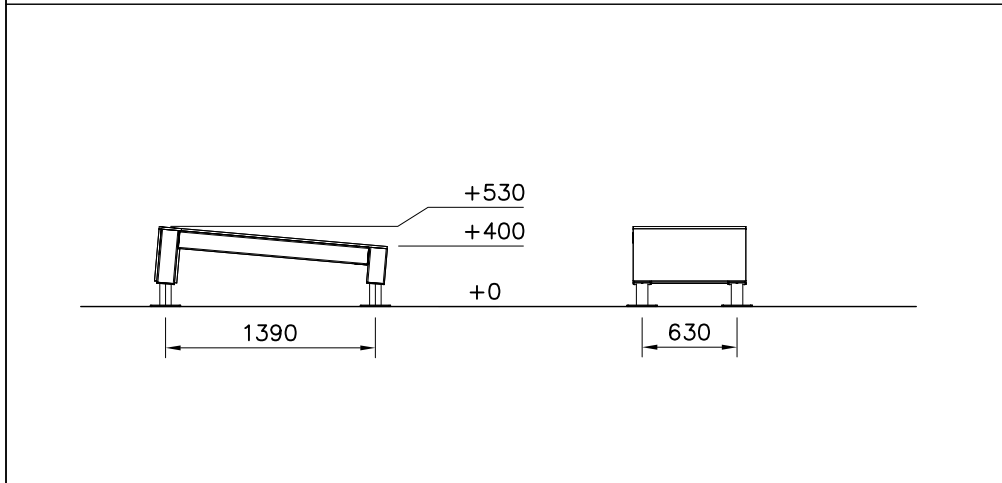


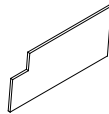
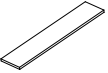



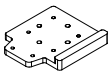
① 702286	PCS	② 707210	PCS
	1		2
65x65		118x118x503	

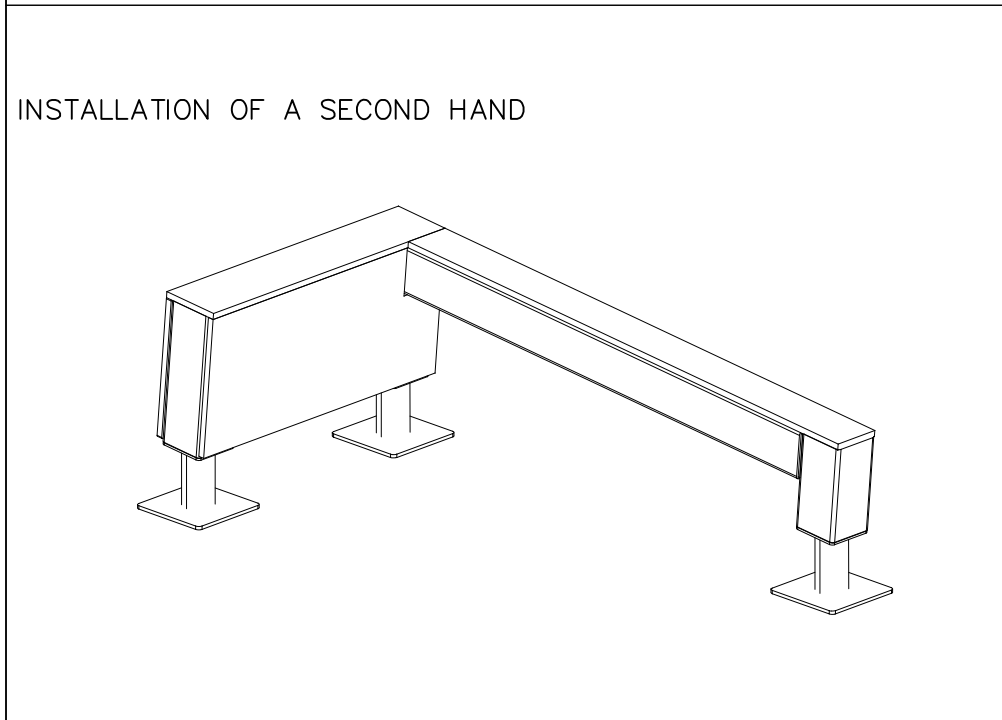
③ 707212	PCS	④ 708347	PCS
	1		1
118x118x1254		118x118x231	

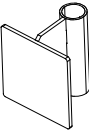

⑤ 708443	PCS	⑥ 708727	PCS
	2		1
118x118x352		15x346x745	






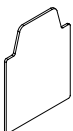
⑦ 708730	PCS	⑧ 708733	PCS
	1		1
15x346x745		15x148x745	




⑨ 708734	PCS	⑩ 708857 JIG	PCS
	1		1
15x118x1365		20x133x149	



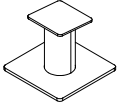

⑪ 910266	PCS	⑫ 900240	PCS
	2		16
90x108x118		Ø8x70	

⑬ 903093	PCS	⑭ 905103	PCS
	4		2
Ø8x90		PT-28/32-H	

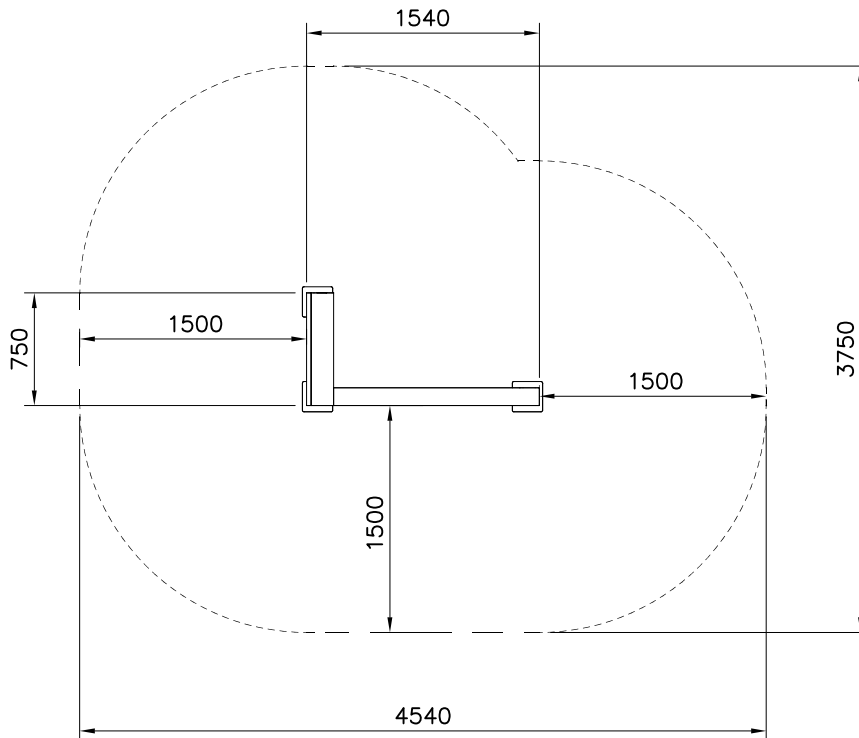
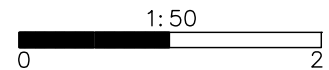
⑮ 905112	PCS	⑯ 908698	PCS
	4		4
Ø22		3x114x108	

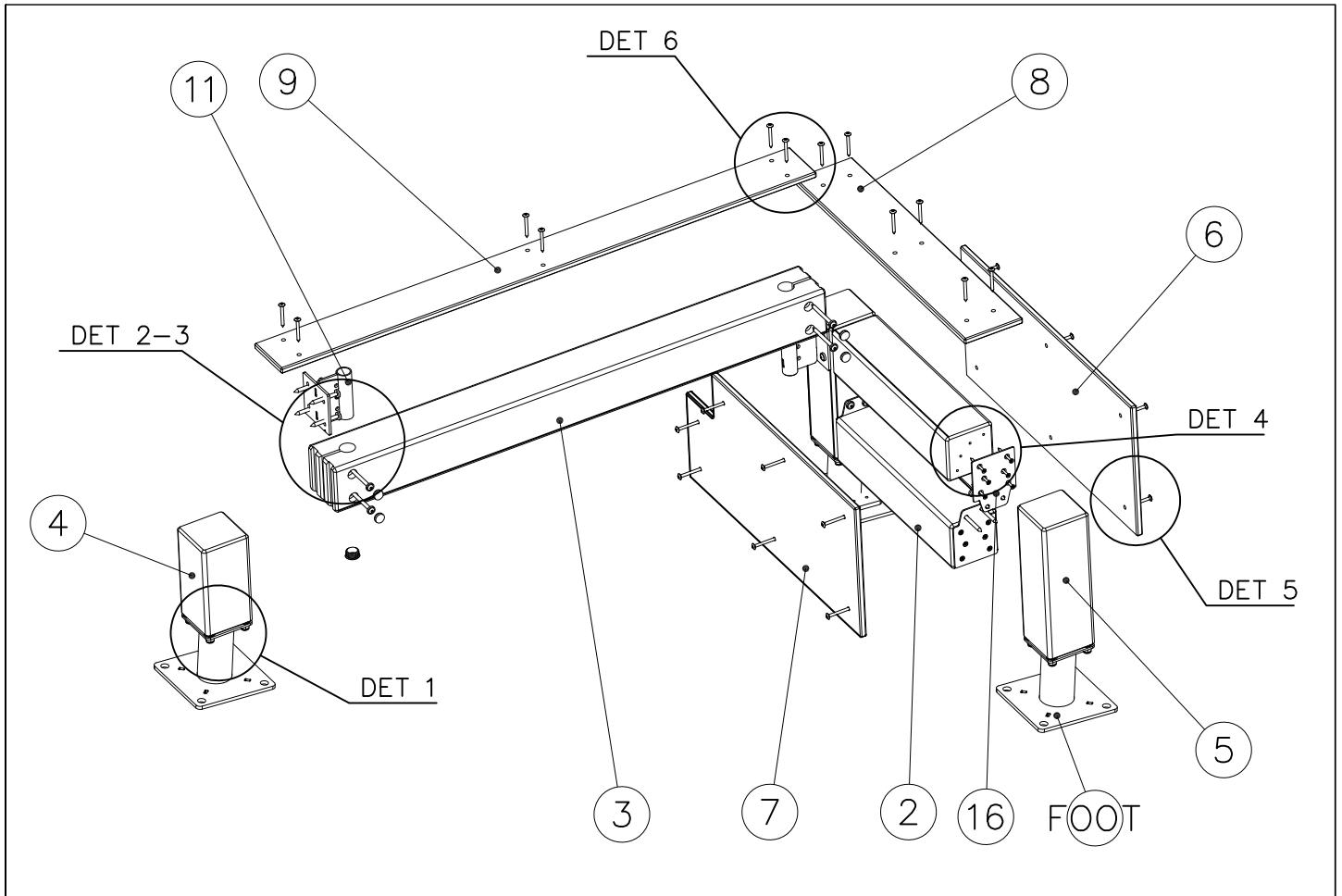
17	980100	PCS	18	980114	PCS	19	980123	PCS
		28			4			25
								
	Ø5x60			Ø4x20			Ø7x60	

FOOT OPTIONS

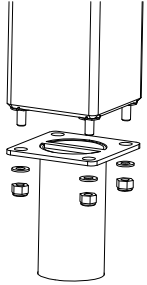
709261+		709262+	
○ 910267	PCS	○ 910567	PCS
SURFACE	3	CONCRETE	3
			
152x200x200		117x117x715	

----- Falling Space 13.8 m<sup>2</sup>  
Max Falling Height 530 mm

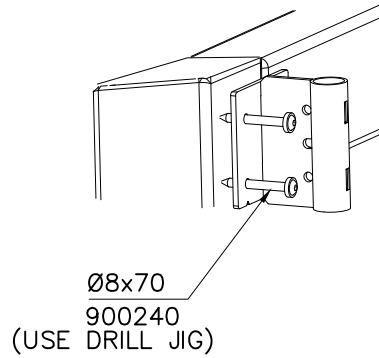




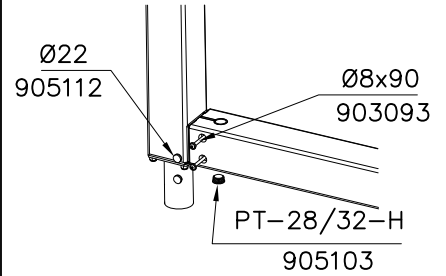
DET 1



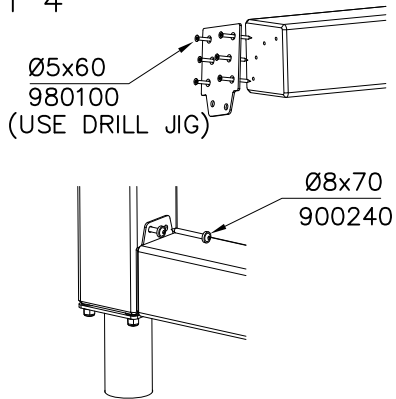
DET 2



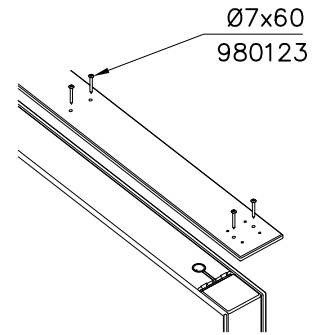
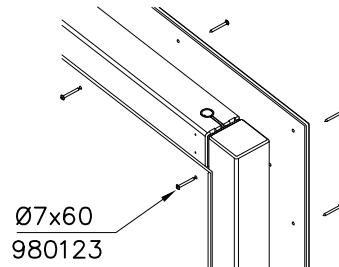
DET 3



DET 4

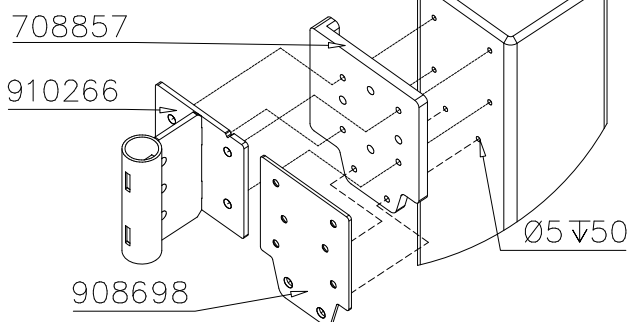


DET 5

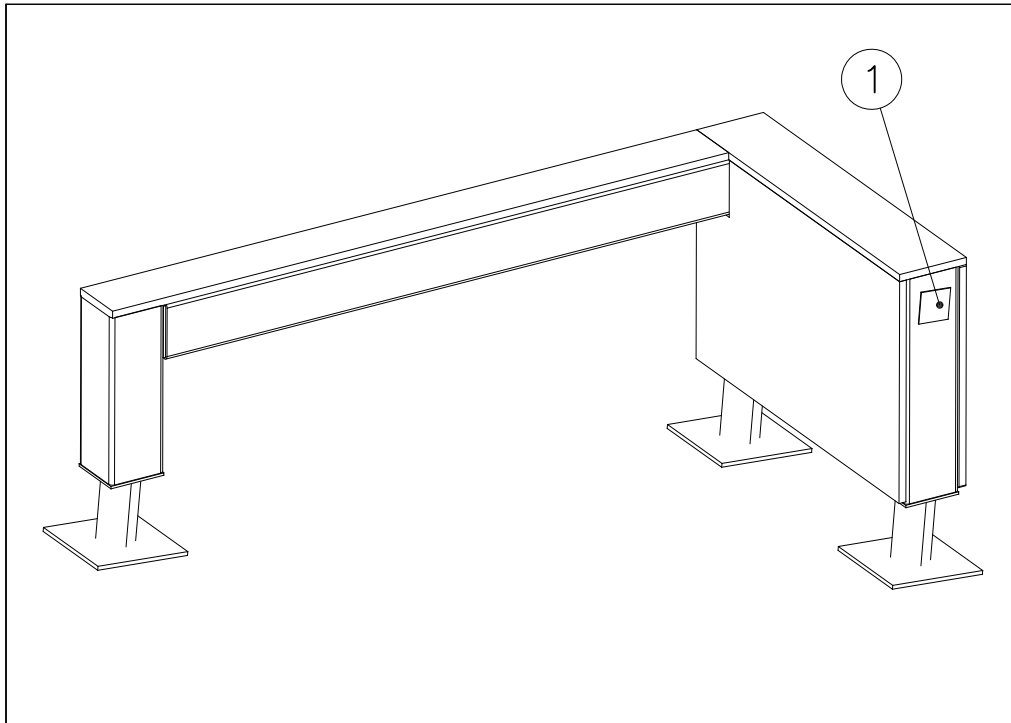


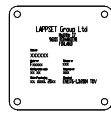
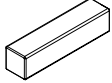
JIG DET A (USE DET 2-4)


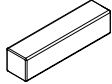
NOTE:  
Use drill jig 708857  
to predrill  $\text{Ø}5\sqrt{50}$   
holes for 910266  
and 908698

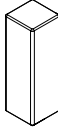
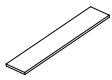


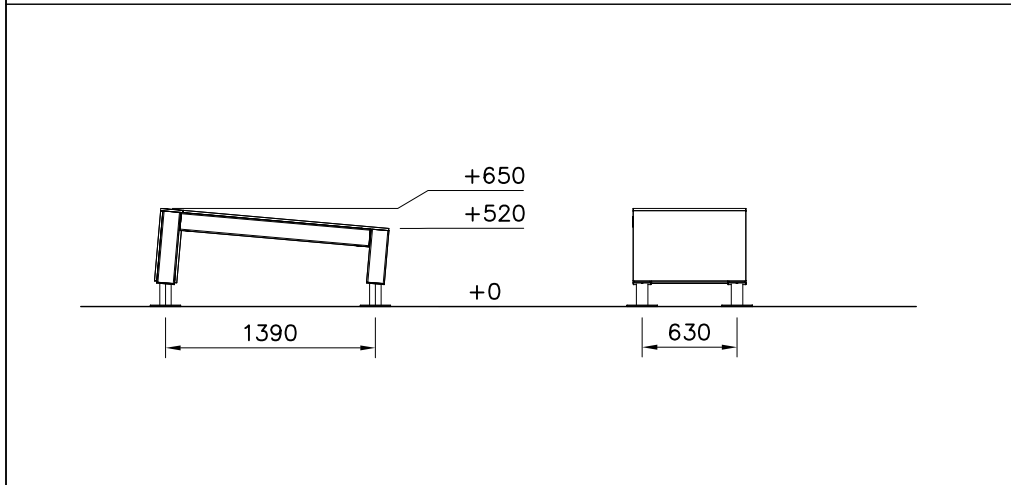



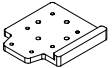


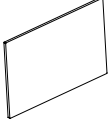

① 702286	PCS	② 707210	PCS
	1		2
65x65		118x118x503	

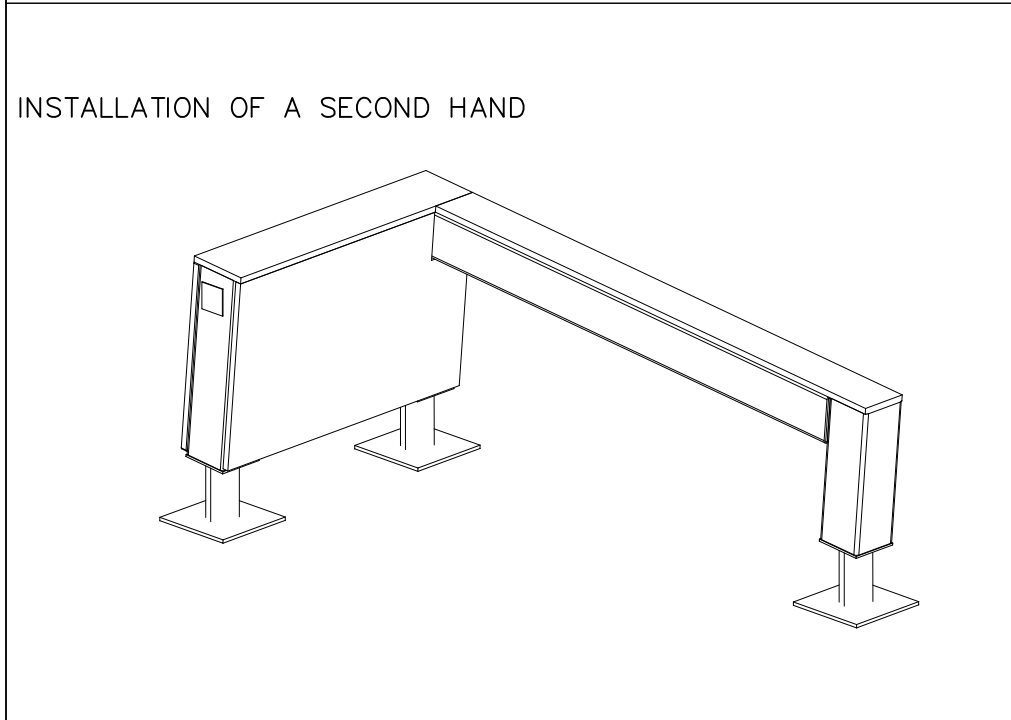
③ 707212	PCS	④ 707889	PCS
	1		2
118x118x1254		118x118x472	



⑤ 708443	PCS	⑥ 708733	PCS
	1		1
118x118x352		15x148x745	


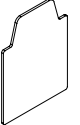


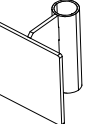
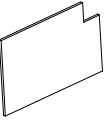
⑦ 708734	PCS	⑧ 708857 JIG	PCS
	1		1
15x118x1365		20x133x149	




⑨ 708731	PCS	⑩ 900240	PCS
	1		16
15x466x745		Ø8x70	



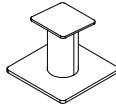

⑪ 903093	PCS	⑫ 905103	PCS
	4		2
Ø8x90		PT-28/32-H	

⑬ 905112	PCS	⑭ 908698	PCS
	4		4
Ø22		3x114x108	

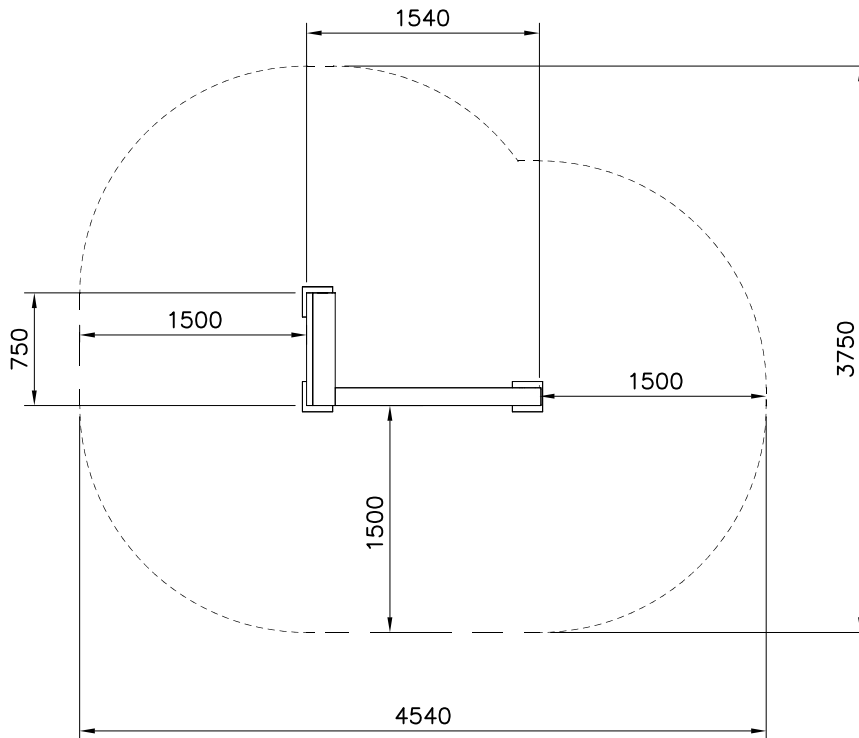
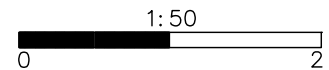
⑮ 910266	PCS	⑯ 708732	PCS
	2		1
90x108x118		15x466x745	

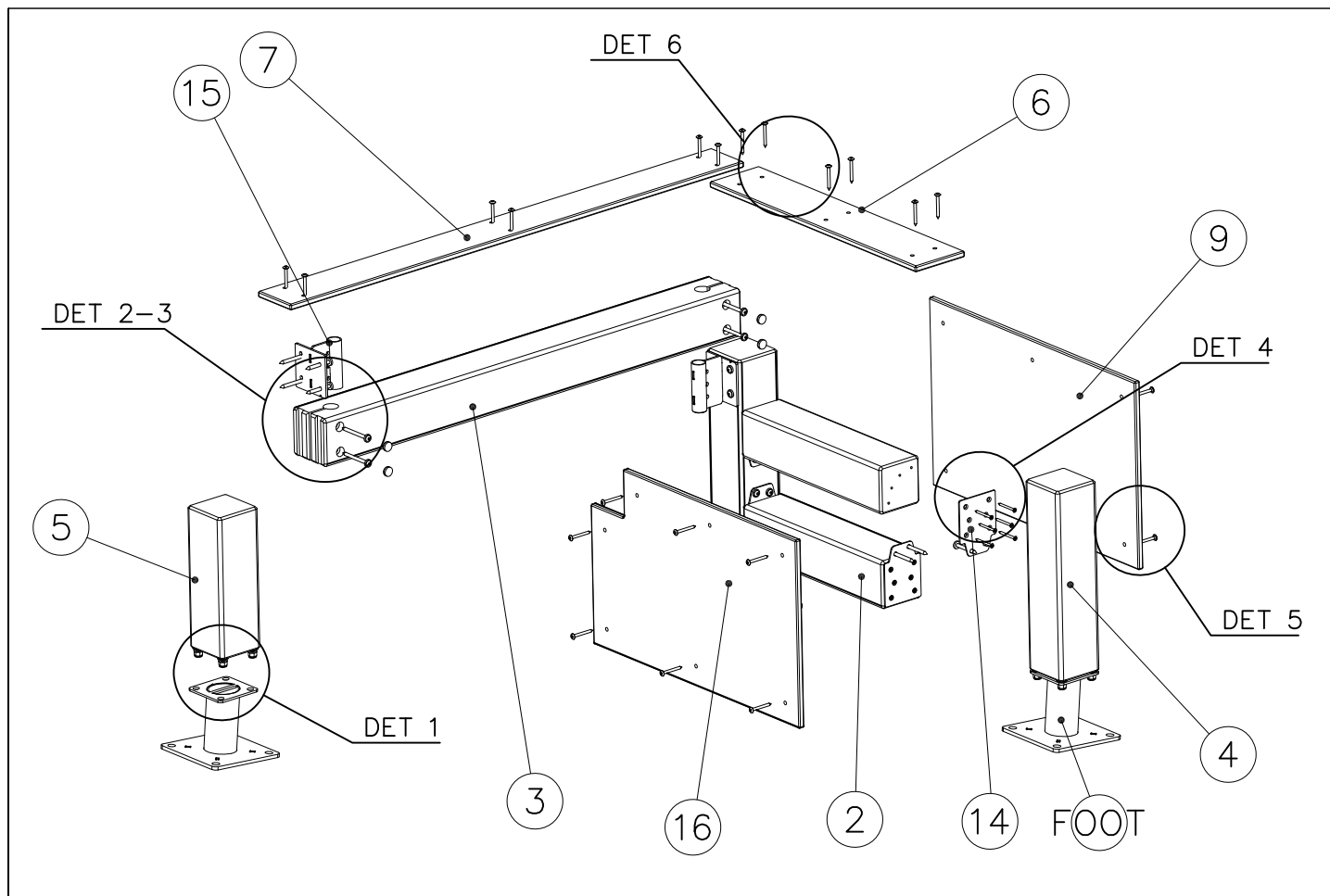
17	980100	PCS	18	980114	PCS	19	980123	PCS
		28			4			25
								
Ø5x60			Ø4x20			Ø7x60		

### FOOT OPTIONS

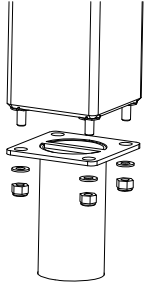
709261+		709262+	
○ 910267	PCS	○ 910567	PCS
SURFACE	3	CONCRETE	3
			
152x200x200		117x117x715	

----- Falling Space 13.8 m<sup>2</sup>  
Max Falling Height 650 mm

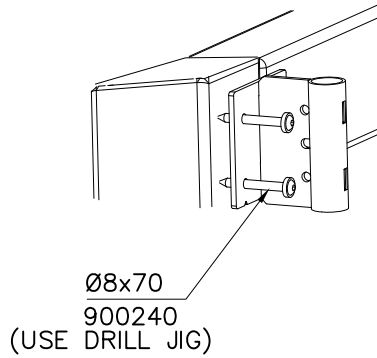




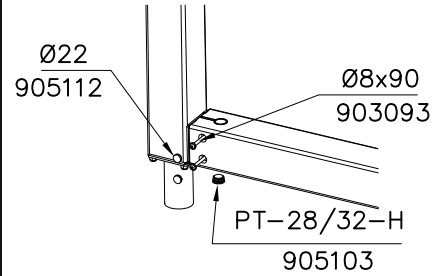
DET 1



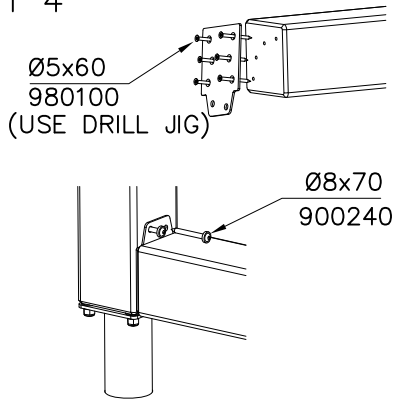
DET 2



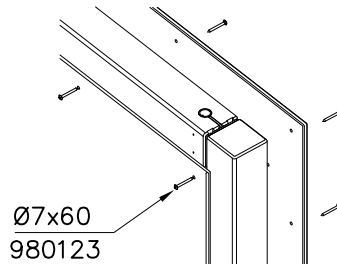
DET 3



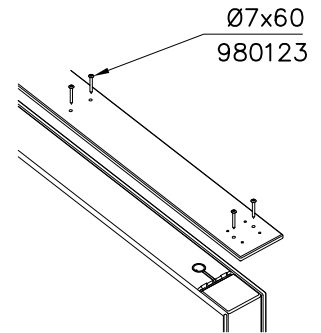
DET 4



DET 5

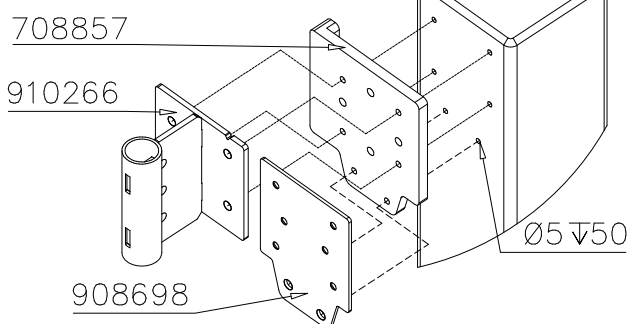


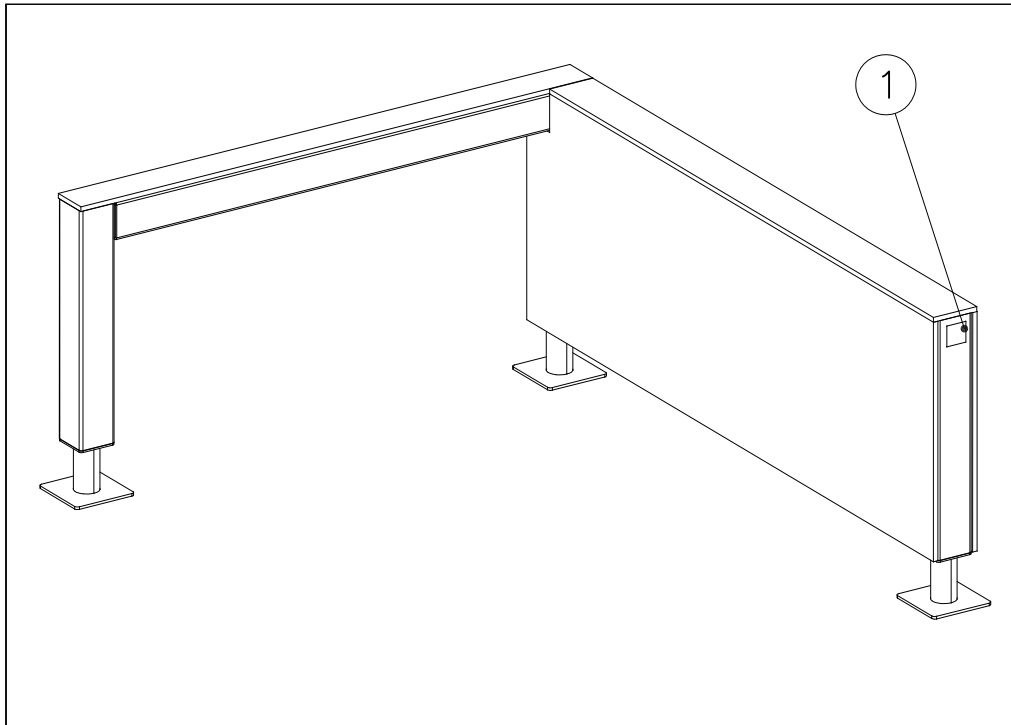
DET 6



JIG DET A (USE DET 2-4)

NOTE:  
Use drill jig 708857  
to predrill  $\text{Ø}5\sqrt{50}$   
holes for 910266  
and 908698

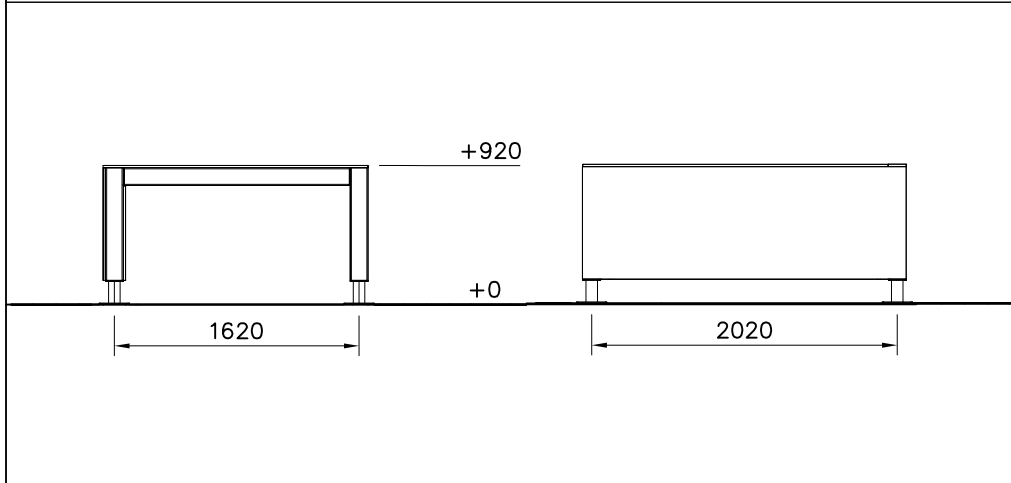




①	702286	PCS	②	707213	PCS
		1			1
	65x65			118x118x1490	

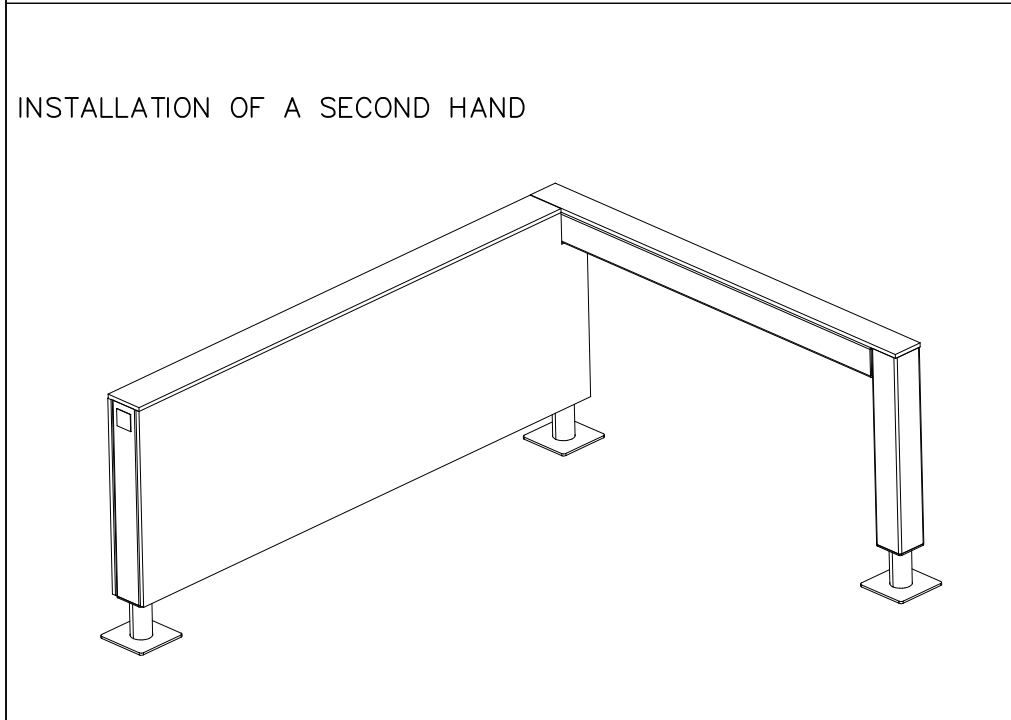
③	707517	PCS	④	708137	PCS
		2			3
	118x118x1892			118x118x745	

⑤	708715	PCS	⑥	708840	PCS
		1			1
	15x745x2140			15x148x2018	



⑦	708845	PCS	⑧	708846	PCS
		1			1
	15x745x2138			15x118x1751	

⑨	708857	PCS	⑩	980123	PCS
	JIG	1			37
				Ø7x60	
	20x133x149				

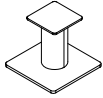



⑪	900240	PCS	⑫	903093	PCS
		24			12
	Ø8x70			Ø8x90	

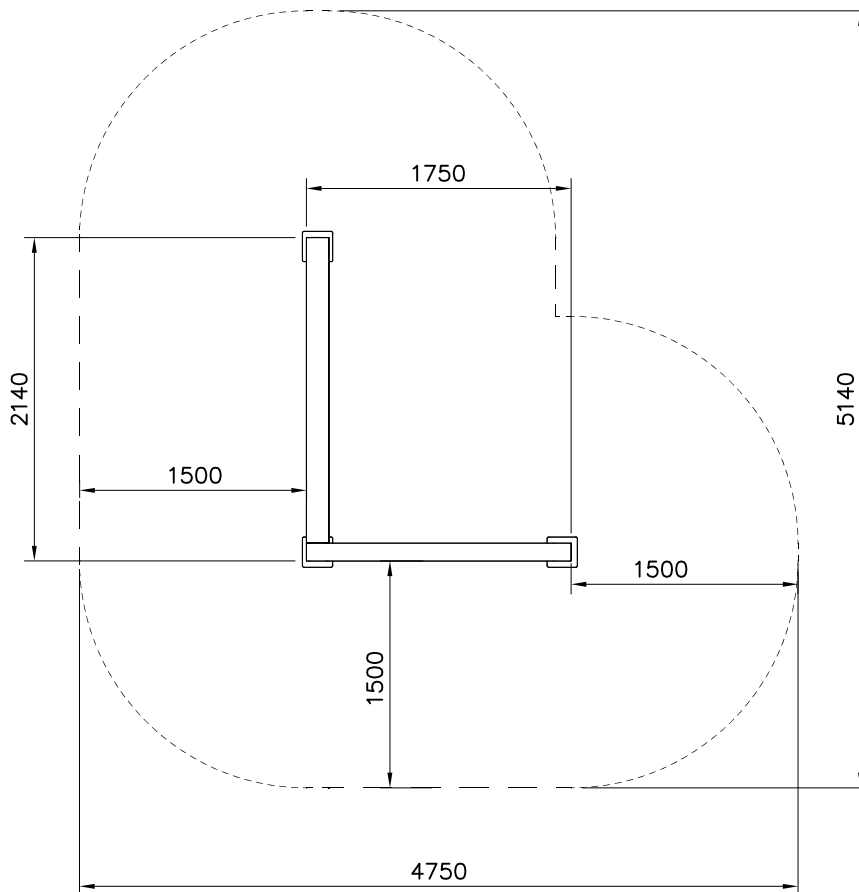
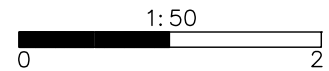
⑬	905103	PCS	⑭	905112	PCS
		6			12
	PT-28/32-H			Ø22	

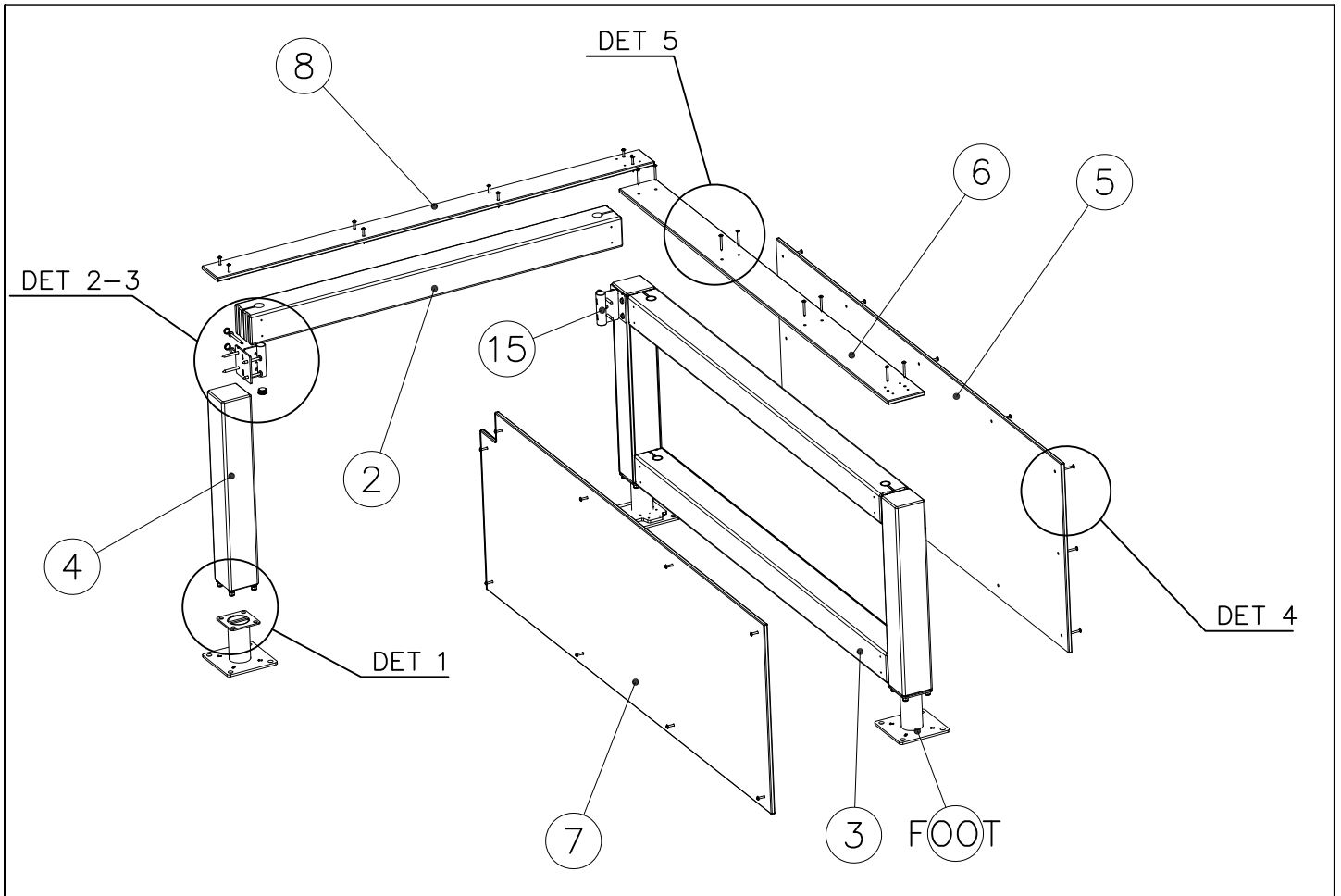
⑮	910266	PCS	⑯	980114	PCS
		6			4
	90x108x118			Ø4x20	

FOOT OPTIONS

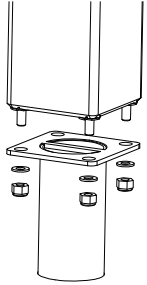
709261+		709262+	
○ 910330	PCS	○ 910567	PCS
SURFACE	3	CONCRETE	3
			
152x200x200		117x117x715	

----- Falling Space 18.8 m<sup>2</sup>  
Max Falling Height 920 mm

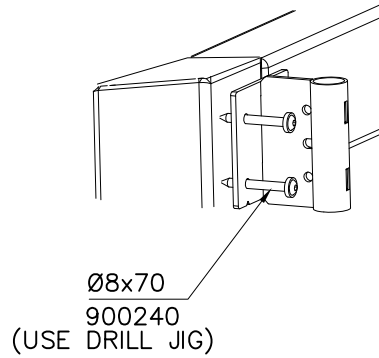




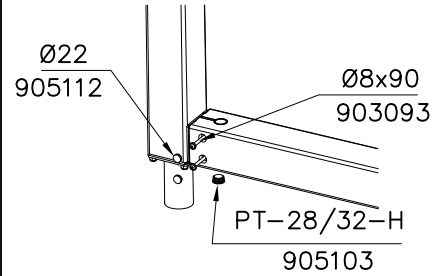
DET 1



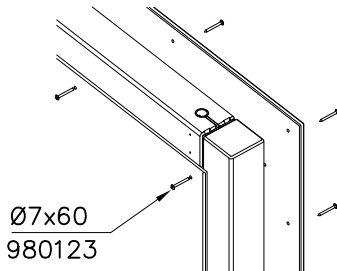
DET 2



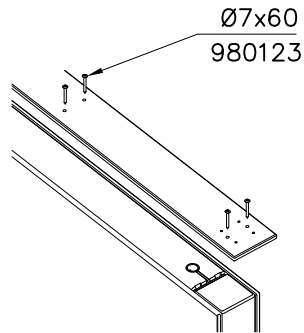
DET 3



DET 4



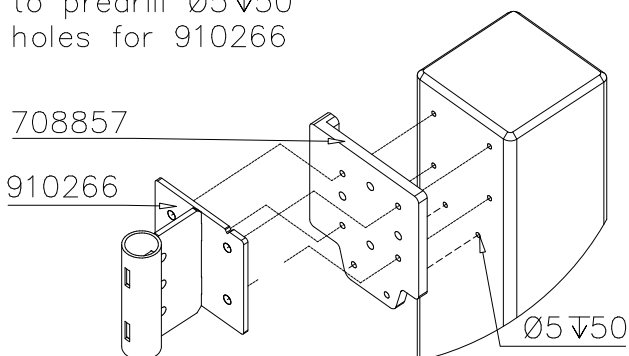
DET 5



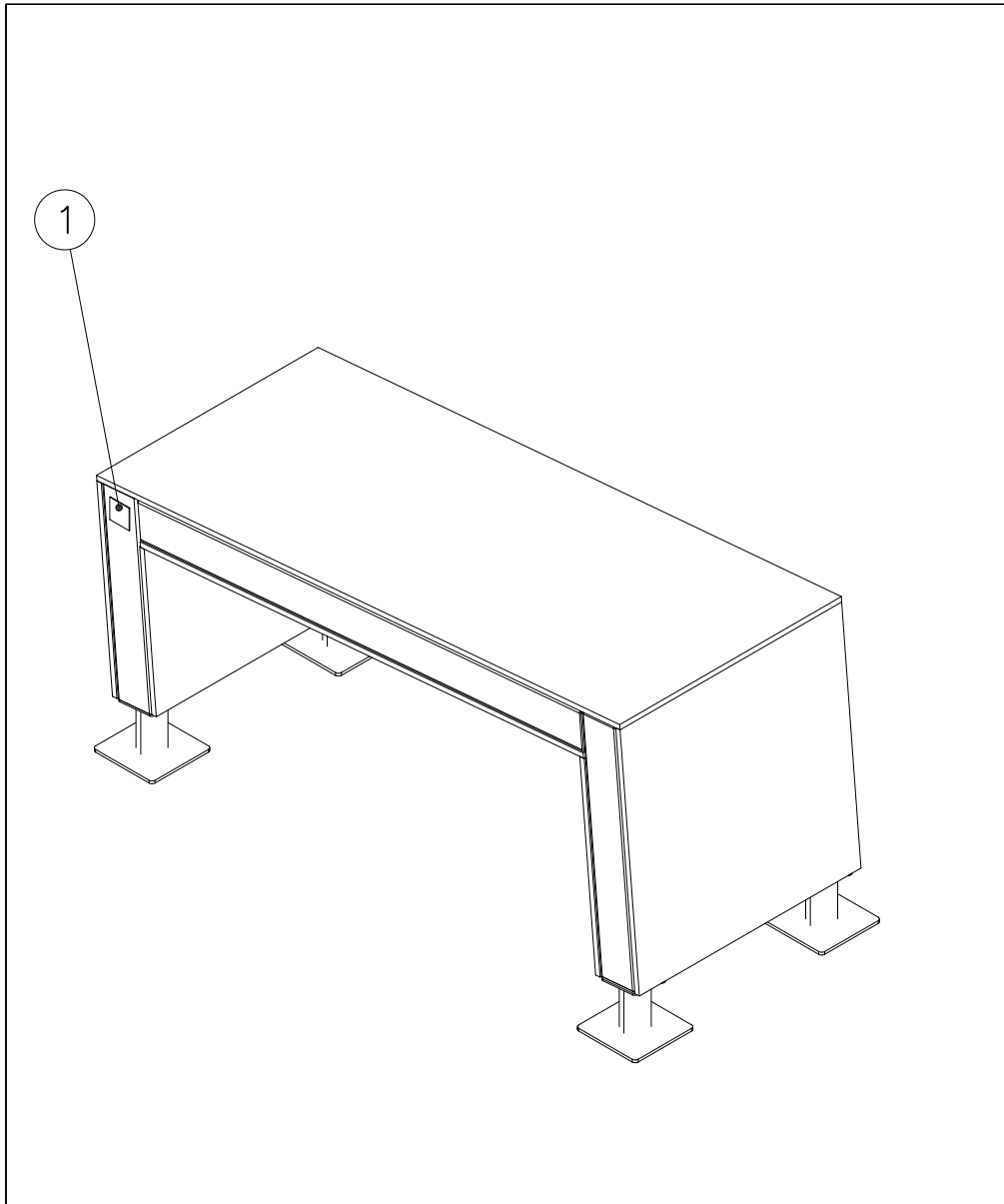
DET 6


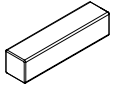

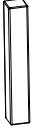

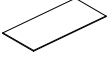
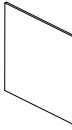

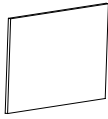
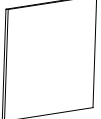
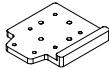

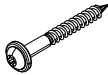

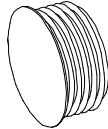
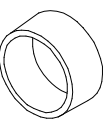
JIG DET A (USE DET 2-3)

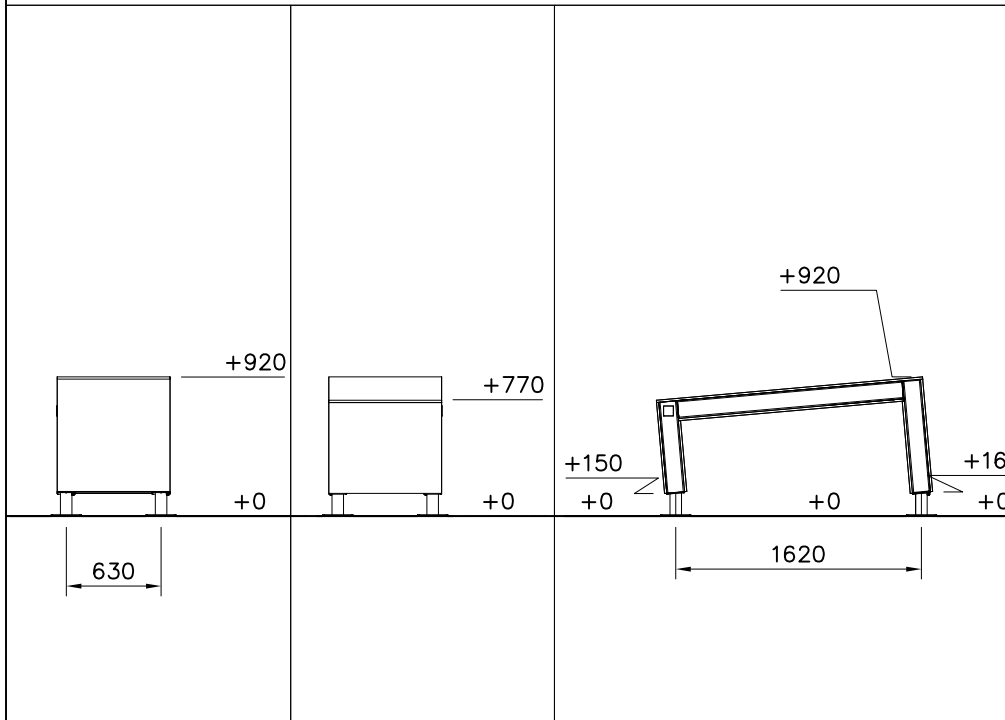
NOTE:  
Use drill jig 708857  
to predrill  $\text{Ø}5 \nabla 50$   
holes for 910266

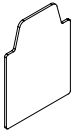
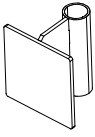









① 702286  65x65	PCS 1	② 707210  118x118x503	PCS 4
③ 707213  118x118x1490	PCS 2	④ 708127  118x118x603	PCS 2
⑤ 708137  118x118x745	PCS 2	⑥ 708721  15x745x1766	PCS 1
⑦ 708725  15x603x745	PCS 1	⑧ 708726  15x745x745	PCS 1
⑨ 708834  15x745x470	PCS 1	⑩ 708835  15x745x612	PCS 1
⑪ 708857 JIG  20x133x149	PCS 1	⑫ 709204  15x745x1495	PCS 1
⑬ 900240  Ø8x70	PCS 32	⑭ 903093  Ø8x90	PCS 8
⑮ 905103  PT-28/32-H	PCS 8	⑯ 905112  Ø22	PCS 8



(17) 908698	PCS	(18) 910266	PCS	(19) 980114	PCS	(20) 980100	PCS	(21) 980123	PCS		PCS		PCS
	8		4		4		48		38				
3x114x108		90x108x118		Ø4x20		Ø5x60		Ø7x60					
	PCS		PCS		PCS								

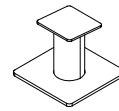
FOOT OPTIONS

709261+

709262+

○ 910267  
SURFACE

○ 910567  
CONCRETE

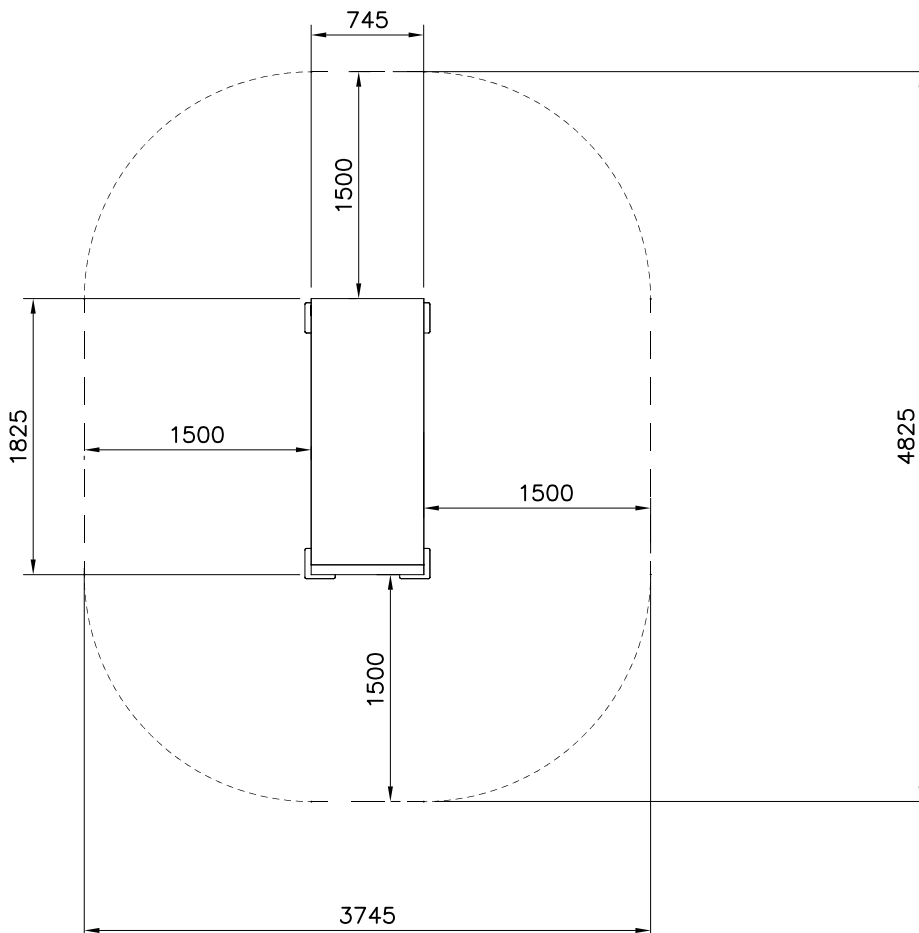
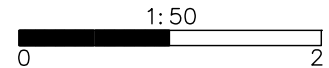


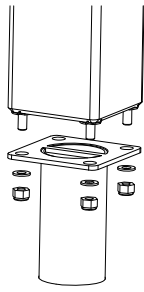
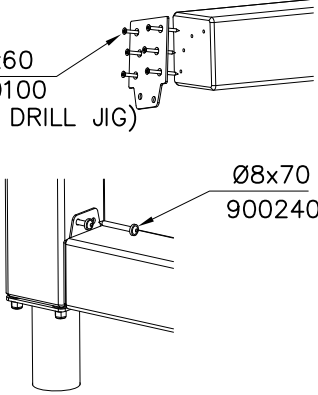
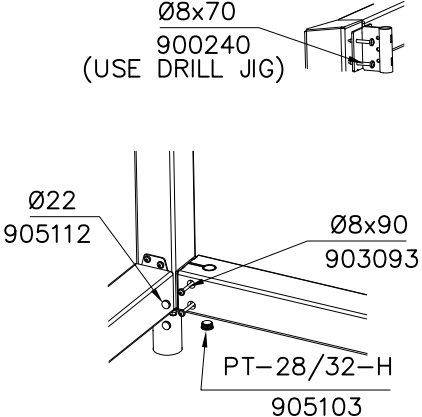
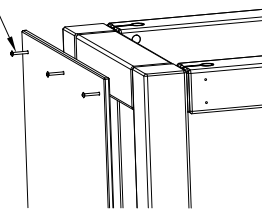
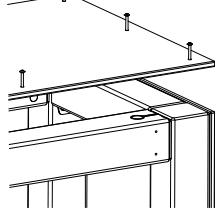
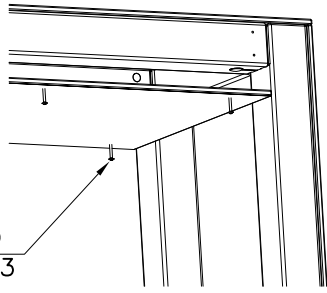
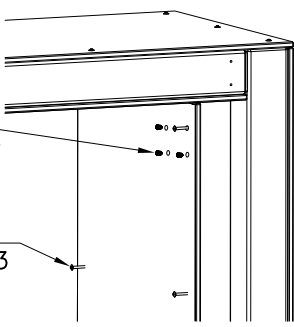
152x200x200

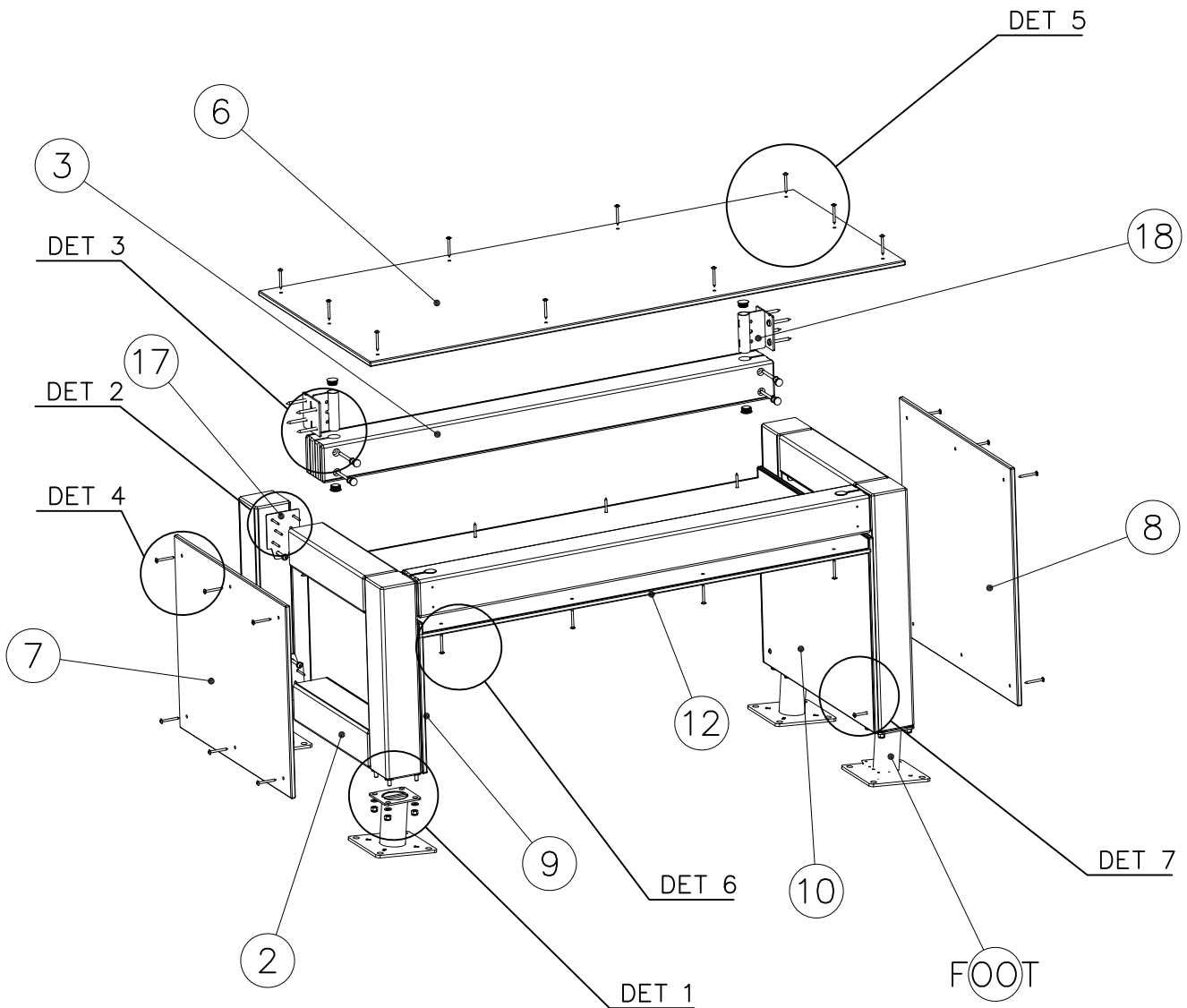


117x117x715

----- Falling Space 16.1 m<sup>2</sup>  
Max Falling Height 920 mm



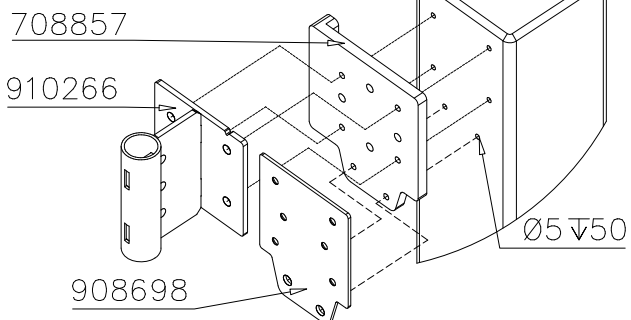
<p>DET 1</p> 	<p>DET 2</p>  <p>Ø5x60 980100 (USE DRILL JIG)</p> <p>Ø8x70 900240</p>	<p>DET 3</p>  <p>Ø8x70 900240 (USE DRILL JIG)</p> <p>Ø22 905112</p> <p>Ø8x90 903093</p> <p>PT-28/32-H 905103</p>
<p>DET 4</p>  <p>Ø7x60 980123</p>	<p>DET 5</p>  <p>Ø7x60 980123</p>	<p>DET 6</p>  <p>Ø7x60 980123</p>
<p>DET 7</p>  <p>SRL12 903533</p> <p>Ø7x60 980123</p>		

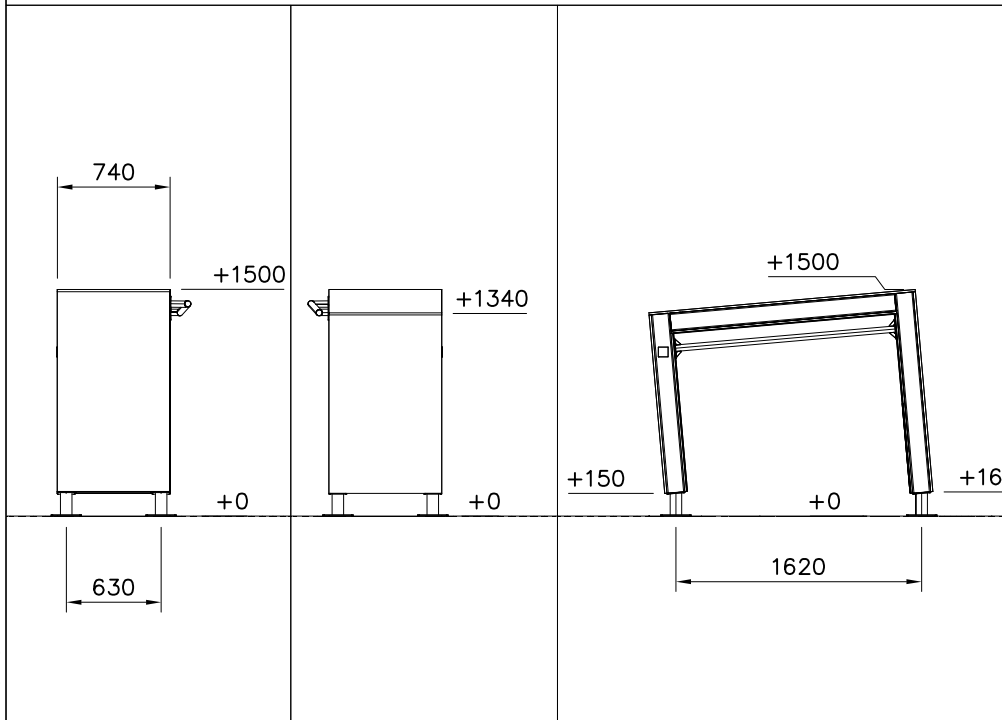
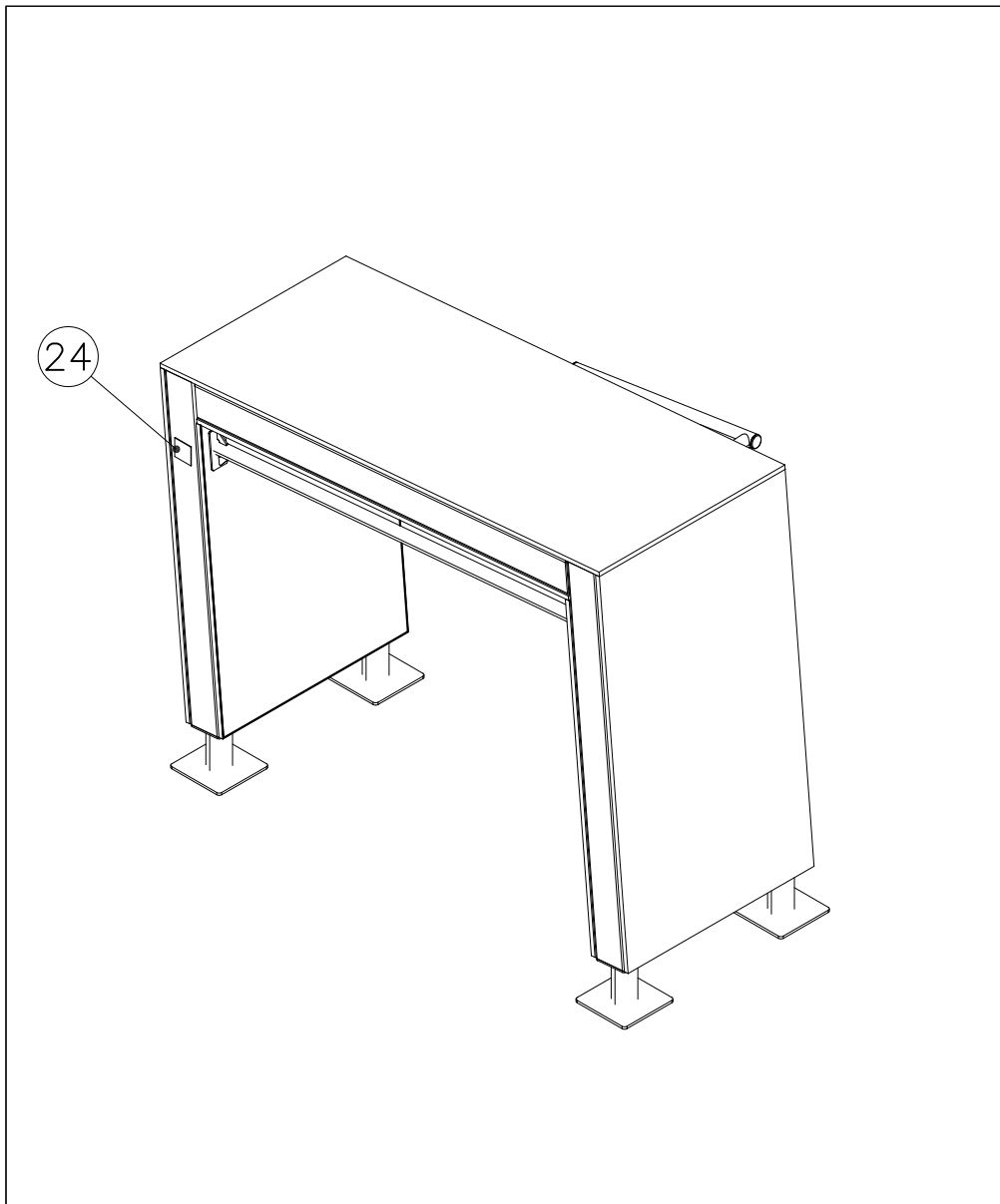


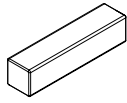



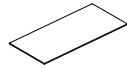
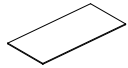

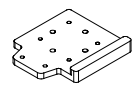

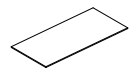
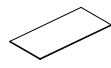





## JIG DET A (USE DET 2-3)

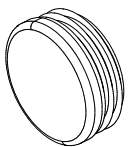
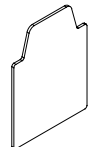
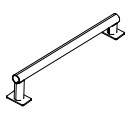
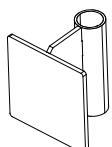

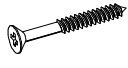





### NOTE:

Use drill jig 708857 to predrill  $\text{Ø}5 \nabla 50$  holes for 910266 and 908698

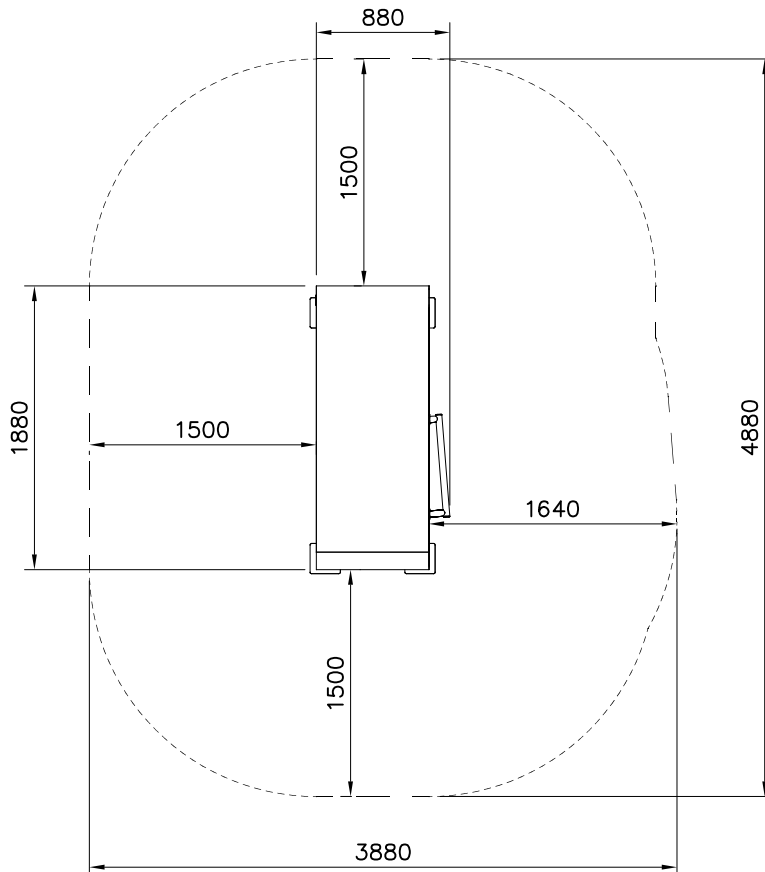
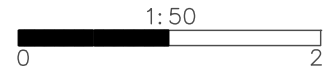


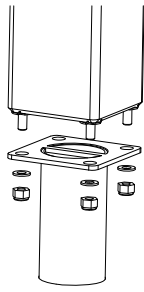
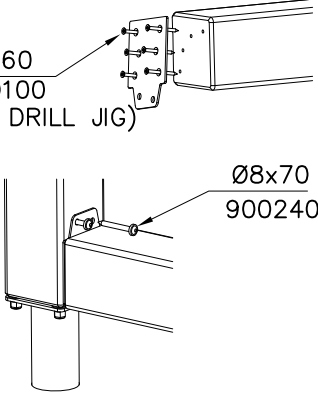
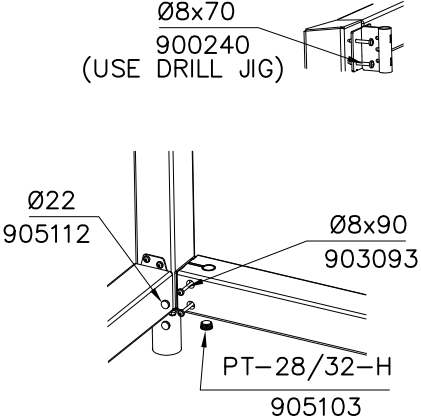
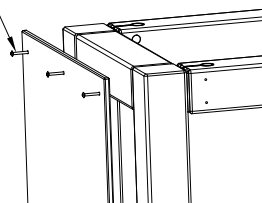
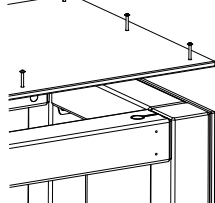
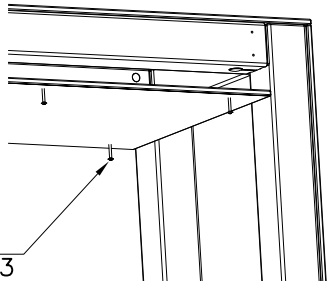
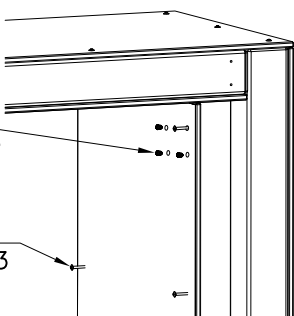
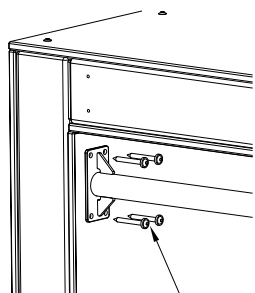
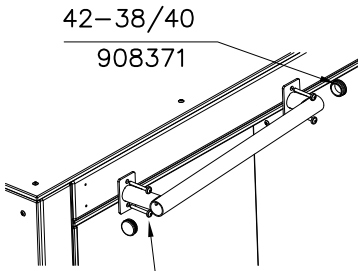


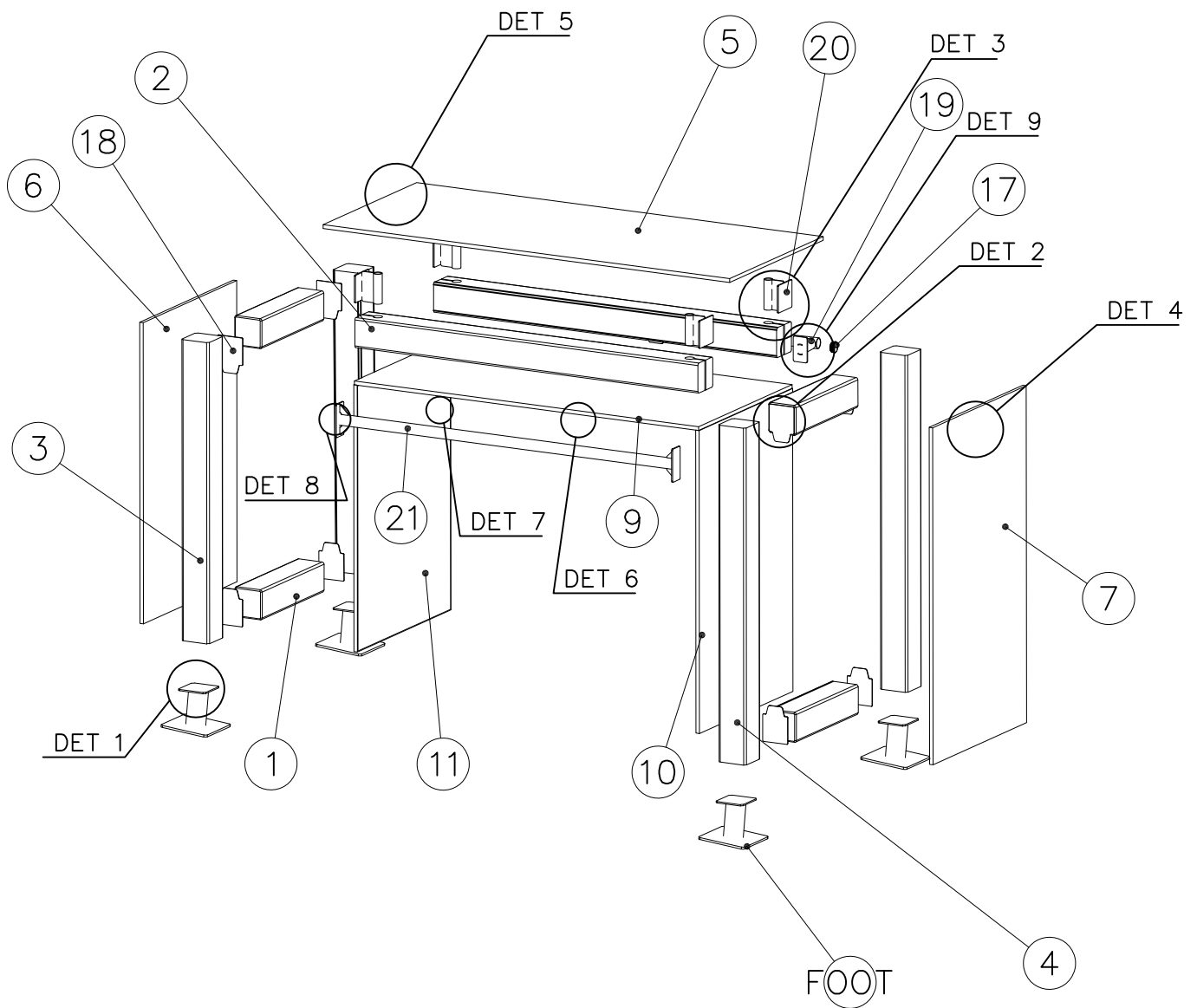
① 707210  118x118x503	PCS 4	② 707213  118x118x1490	PCS 2
③ 708042  118x118x1185	PCS 2	④ 708125  118x118x1326	PCS 2
⑤ 708721  15x745x1766	PCS 1	⑥ 708723  15x745x1185	PCS 1
⑦ 708724  15x745x1326	PCS 1	⑧ 708857 JIG  20x133x149	PCS 1
⑨ 911103 COLOR  15x745x1495	PCS 1	⑩ 911305 COLOR  15x745x1192	PCS 1
⑪ 911307 COLOR  15x745x1050	PCS 1	⑫ 900240  Ø8x70	PCS 44
⑬ 903093  Ø8x90	PCS 8	⑭ 903533  SRL12	PCS 6
⑮ 905103  PT-28/32-H	PCS 8	⑯ 905112  Ø22	PCS 8

 42-38/40	PCS 2	 3x114x108	PCS 8	 140x690	PCS 1	 90x108x118	PCS 4	 L 1466	PCS 1	 Ø5x60	PCS 48		PCS
 Ø7x60	PCS 50	 65x65	PCS 1	 Ø4x20	PCS 4	FOOT OPTIONS							
						709261+		709262+					
						 910267 SURFACE 152x200x200	PCS 4	 910567 CONCRETE 117x117x715	PCS 4				

----- Falling Space 16.5 m<sup>2</sup>  
 Max Falling Height 1500 mm

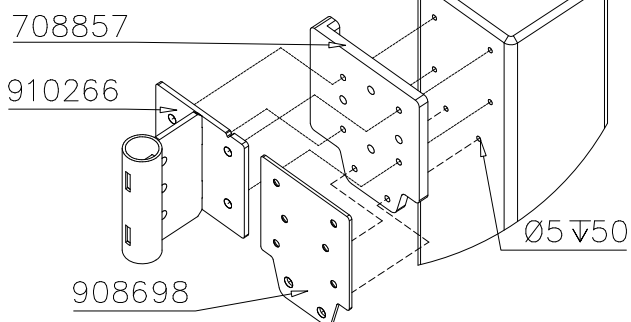


<p>DET 1</p> 	<p>DET 2</p>  <p>Ø5x60 980100 (USE DRILL JIG)</p> <p>Ø8x70 900240</p>	<p>DET 3</p>  <p>Ø8x70 900240 (USE DRILL JIG)</p> <p>Ø22 905112</p> <p>Ø8x90 903093</p> <p>PT-28/32-H 905103</p>
<p>DET 4</p>  <p>Ø7x60 980123</p>	<p>DET 5</p>  <p>Ø7x60 980123</p>	<p>DET 6</p>  <p>Ø7x60 980123</p>
<p>DET 7</p>  <p>SRL12 903533</p> <p>Ø7x60 980123</p>	<p>DET 8</p>  <p>Ø8x70 900240</p>	
<p>DET 9 DRILL PREHOLES BEFORE INSTALLING HANDLES</p>  <p>42-38/40 908371</p> <p>Ø8x70 900240</p>		

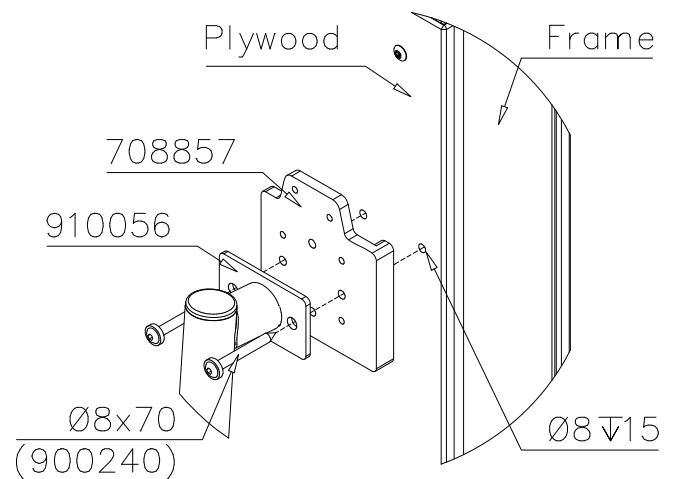


### JIG DET A (USE DET 2-3)

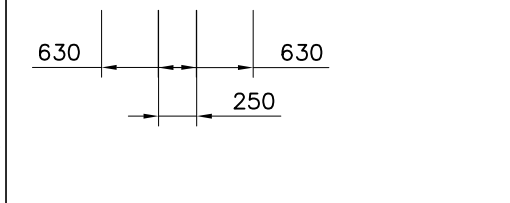
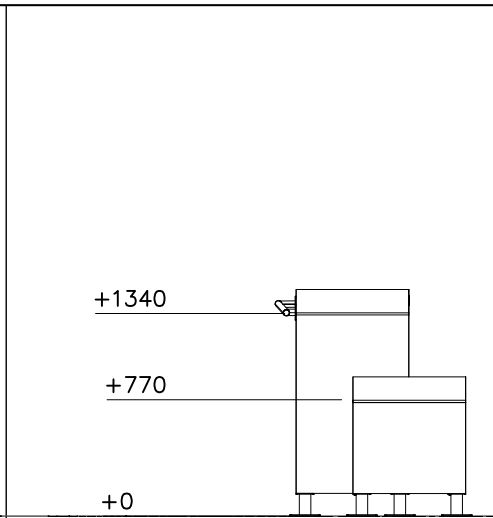
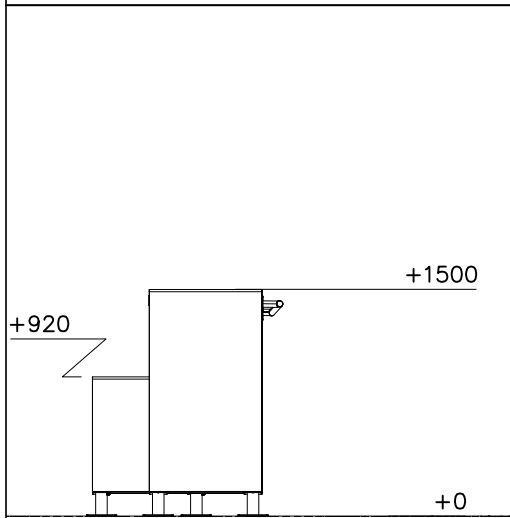
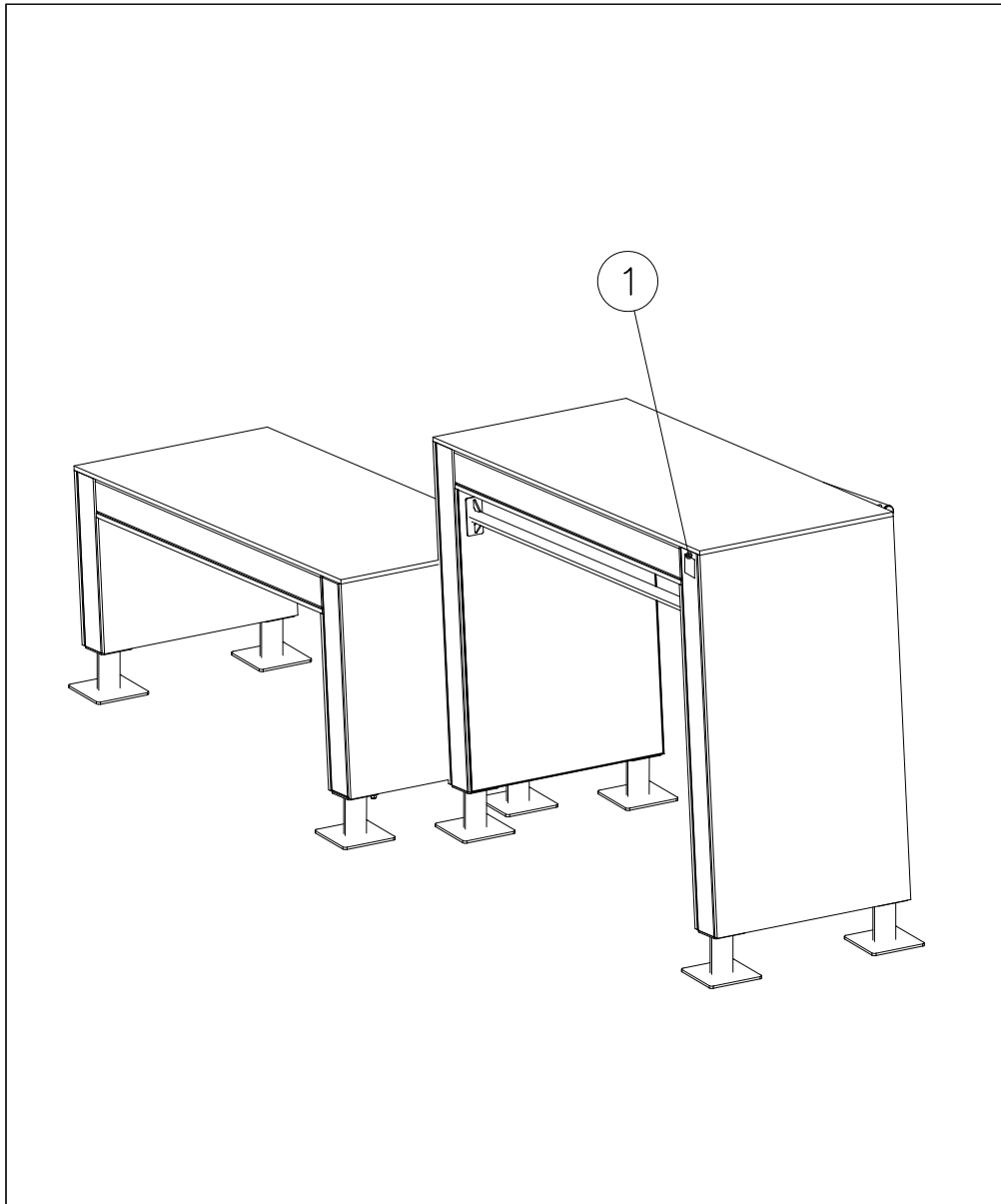
NOTE:  
Use drill jig 708857  
to predrill  $\text{Ø}5 \nabla 50$   
holes for 910266  
and 908698


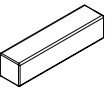

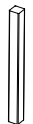



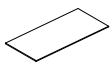
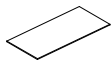
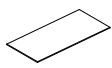
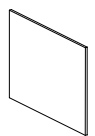
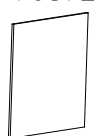
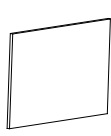
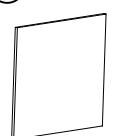
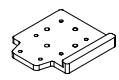



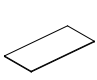
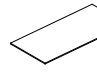
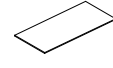
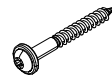

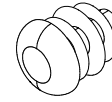

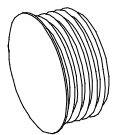
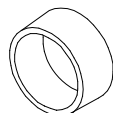
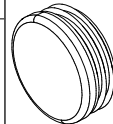
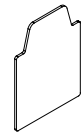
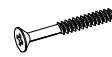

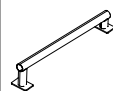
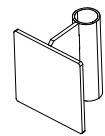

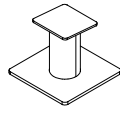
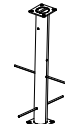
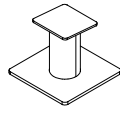
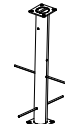
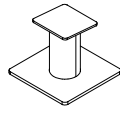
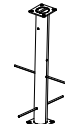
### JIG DET B (USE DET 9, 10)







① 702286  65x65	PCS 1	② 707210  118x118x503	PCS 8
③ 707213  118x118x1490	PCS 4	④ 708042  118x118x1185	PCS 2
⑤ 708125  118x118x1326	PCS 2	⑥ 708127  118x118x603	PCS 2
⑦ 708137  118x118x745	PCS 2	⑧ 708721  15x745x1766	PCS 2
⑨ 708723  15x745x1185	PCS 1	⑩ 708724  15x745x1326	PCS 1
⑪ 708725  15x603x745	PCS 1	⑫ 708726  15x745x745	PCS 1
⑬ 708834  15x745x470	PCS 1	⑭ 708835  15x745x612	PCS 1
⑮ 708857 JIG  20x133x149	PCS 1	⑯ 709204  15x745x1495	PCS 1

<p>17 911303 COLOR</p>  <p>15x745x1495</p>	<p>PCS 1</p>	<p>18 911305 COLOR</p>  <p>15x745x1192</p>	<p>PCS 1</p>	<p>19 911307 COLOR</p>  <p>15x745x1050</p>	<p>PCS 1</p>	<p>20 900240</p>  <p>Ø8x70</p>	<p>PCS 76</p>	<p>21 903093</p>  <p>Ø8x90</p>	<p>PCS 20</p>	<p>22 903533</p>  <p>SRL12</p>	<p>PCS 6</p>				
<p>23 980114</p>  <p>Ø4x20</p>	<p>PCS 4</p>	<p>24 905103</p>  <p>PT-28/32-H</p>	<p>PCS 16</p>	<p>25 905112</p>  <p>Ø22</p>	<p>PCS 16</p>	<p>26 908371</p>  <p>42-38/40</p>	<p>PCS 2</p>	<p>27 908698</p>  <p>3x114x108</p>	<p>PCS 16</p>	<p>28 980100</p>  <p>Ø5x60</p>	<p>PCS 96</p>				
<p>29 910328</p>  <p>L 1466</p>	<p>PCS 1</p>	<p>30 910056</p>  <p>140x690</p>	<p>PCS 1</p>	<p>31 910266</p>  <p>90x108x118</p>	<p>PCS 8</p>	<p>32 980123</p>  <p>Ø7x60</p>	<p>PCS 88</p>	<p>FOOT OPTIONS</p> <p>709261+      709262+</p> <table border="1"> <tbody> <tr> <td> <p>910267 SURFACE</p>  <p>152x200x200</p> </td> <td> <p>PCS 8</p> </td> <td> <p>910567 CONCRETE</p>  <p>117x117x715</p> </td> <td> <p>PCS 8</p> </td> </tr> </tbody> </table>				<p>910267 SURFACE</p>  <p>152x200x200</p>	<p>PCS 8</p>	<p>910567 CONCRETE</p>  <p>117x117x715</p>	<p>PCS 8</p>
<p>910267 SURFACE</p>  <p>152x200x200</p>	<p>PCS 8</p>	<p>910567 CONCRETE</p>  <p>117x117x715</p>	<p>PCS 8</p>												

+1500

+1340

+920

+770

+150

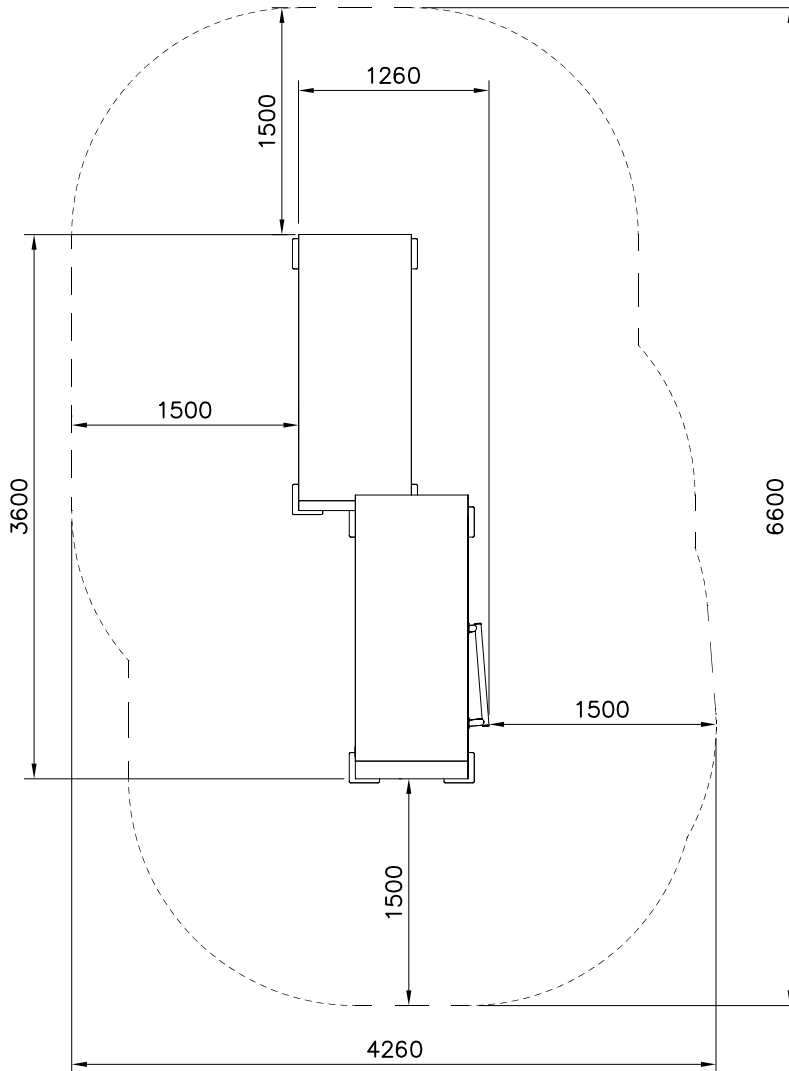
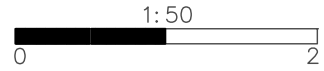
+0

+160

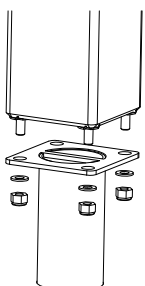
1620

1620

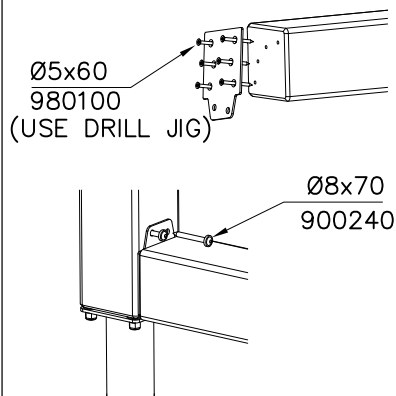
----- Falling Space 23.5 m<sup>2</sup>  
Max Falling Height 1500 mm



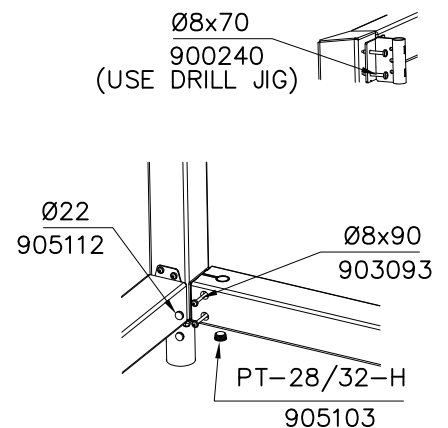
DET 1

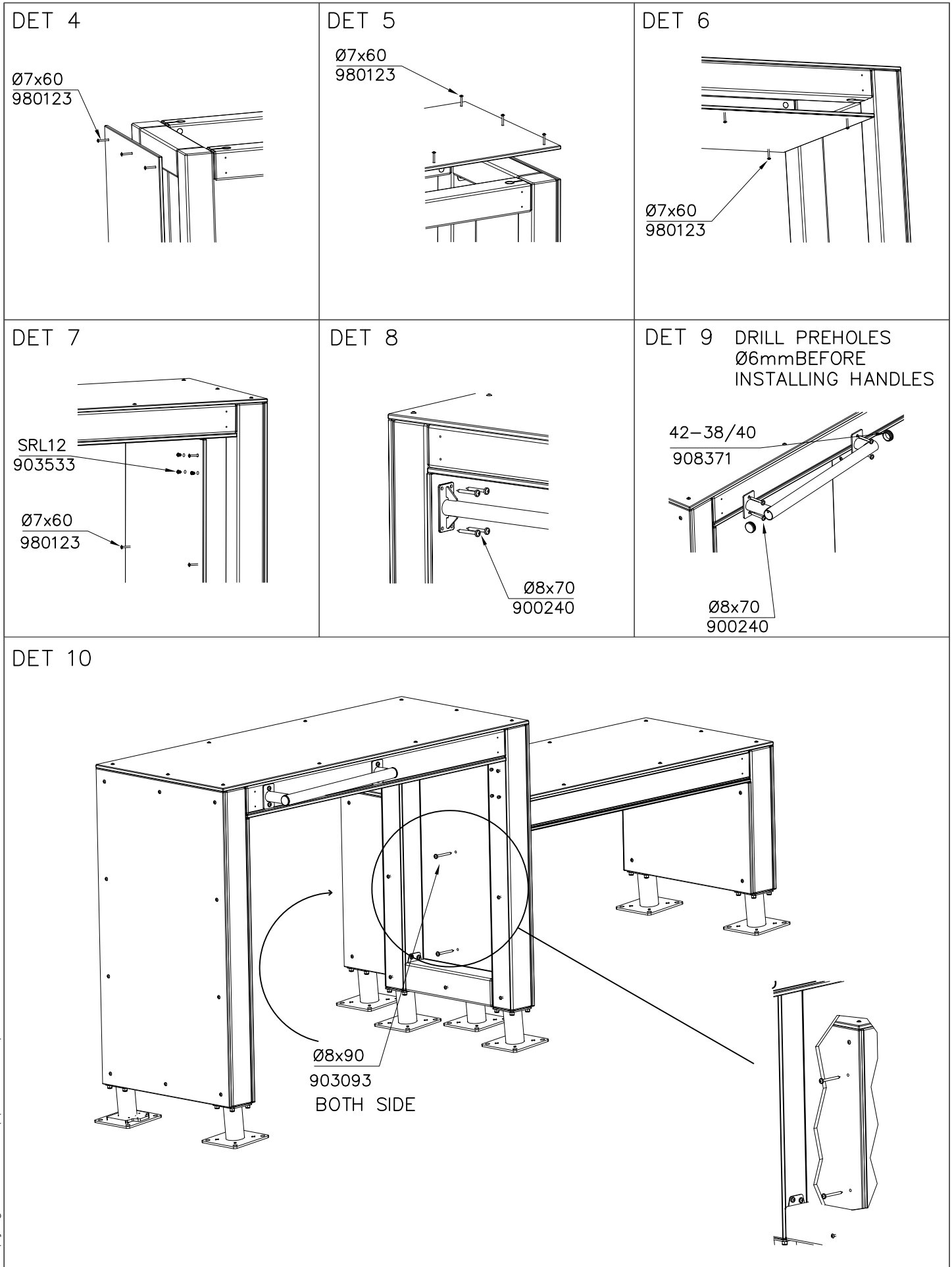


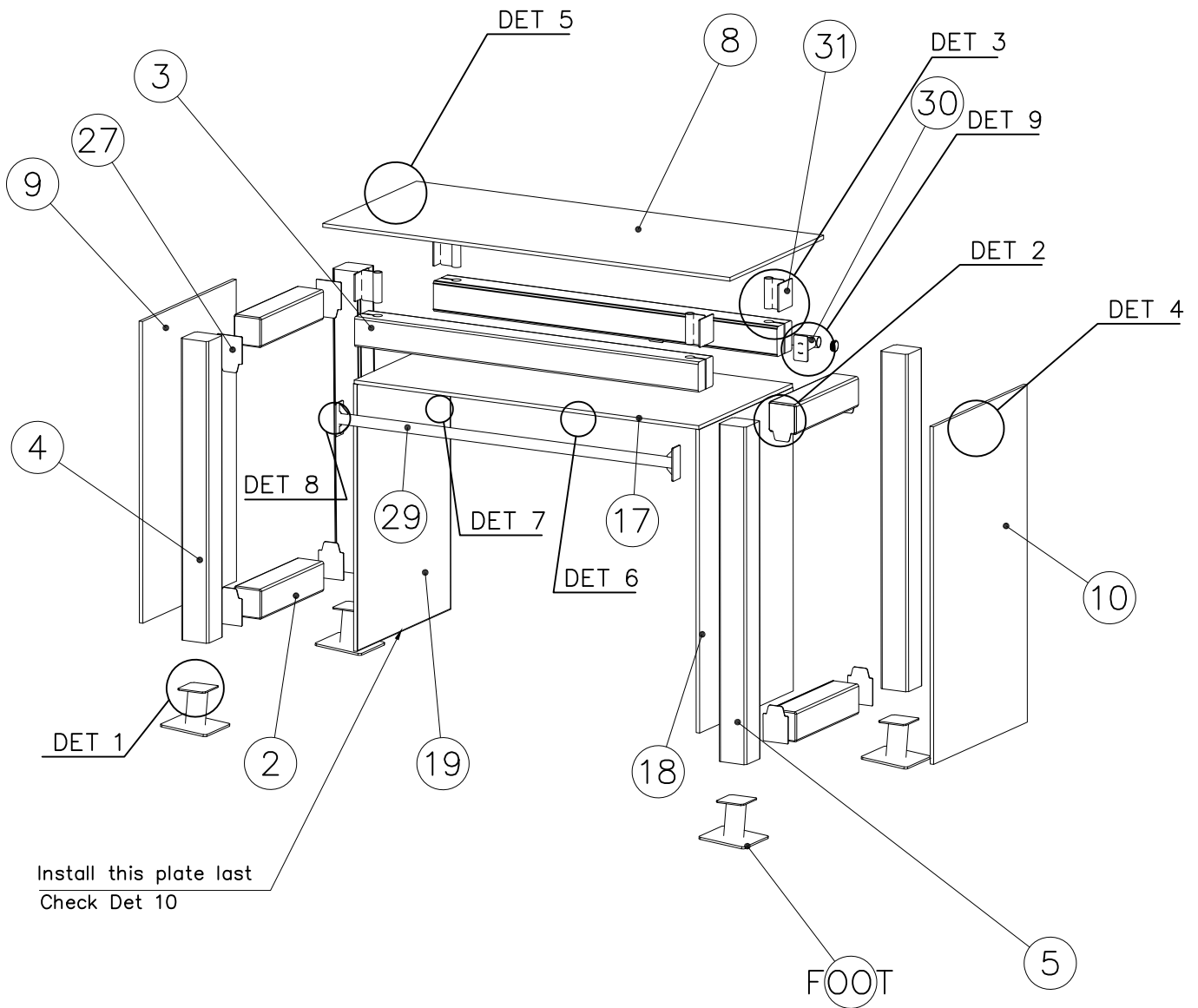
DET 2



DET 3







### JIG DET A (USE DET 2-3)

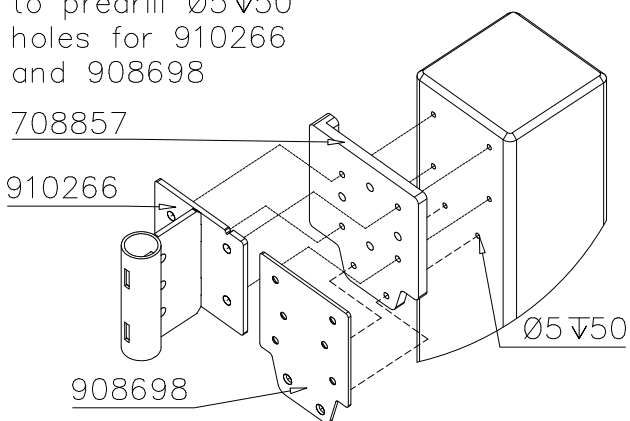
**NOTE:**

Use drill jig 708857 to predrill  $\text{Ø}5 \nabla 50$  holes for 910266 and 908698

708857

910266

908698



### JIG DET B (USE DET 9)

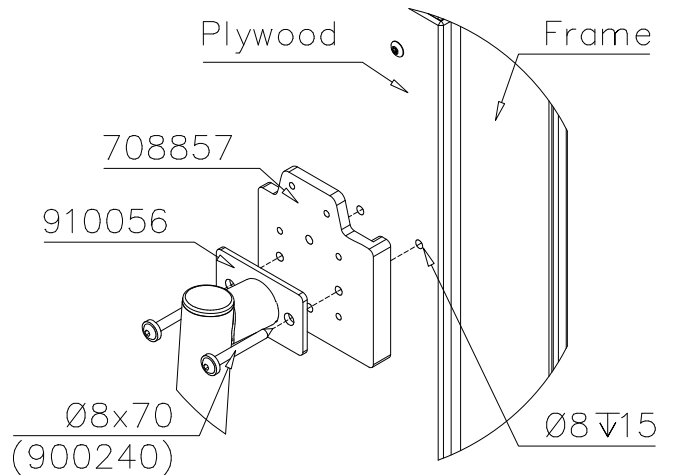
Plywood Frame

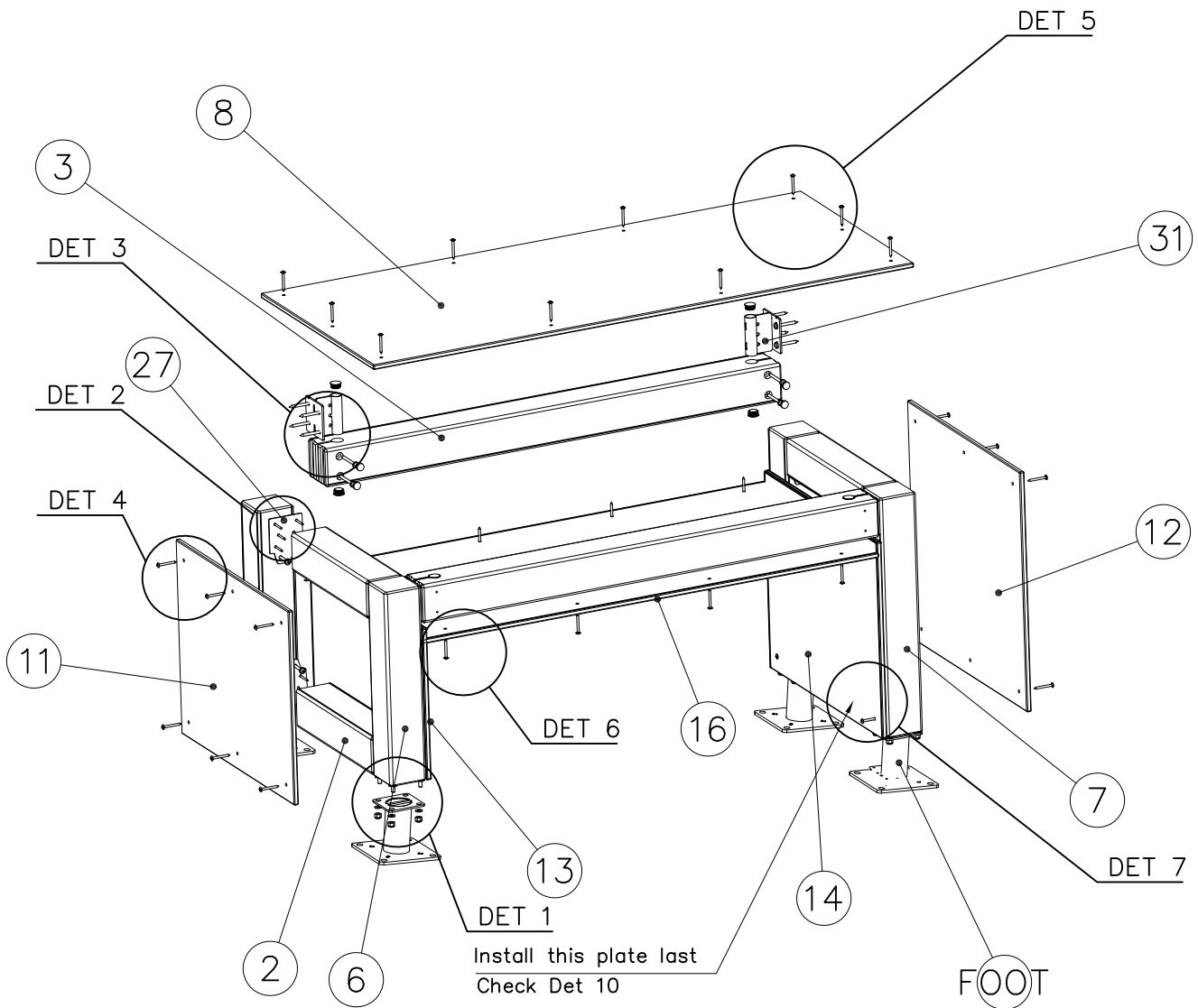
708857

910056

$\text{Ø}8 \times 70$   
(900240)

$\text{Ø}8 \nabla 15$





### JIG DET A (USE DET 2-3)

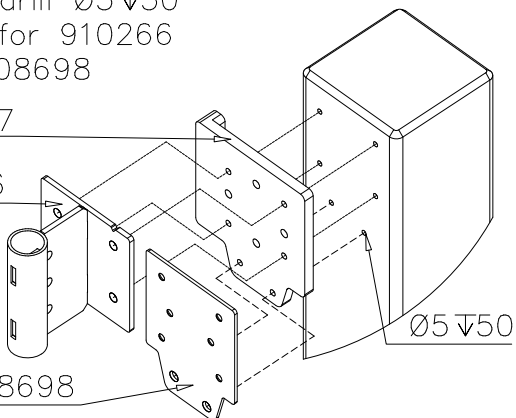
**NOTE:**

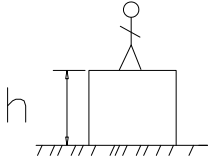
Use drill jig 708857 to predrill  $\text{Ø}5 \nabla 50$  holes for 910266 and 908698

708857

910266

908698





$h < 1600$

Totally hard surfaces or materials with very limited impact attenuating properties.

Case by case risk assessment is needed including e.g. evaluation whether there is forced movement, what is the intended exercise and where will the product be installed.

Materials with significant impact attenuating properties.

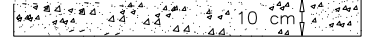
Totally hard surfaces.  
E.g. concrete or asphalt



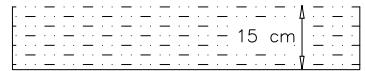
Materials with very limited impact attenuating properties.  
E.g. wood



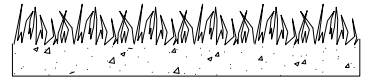
fine gravel 0–8 mm



Unsorted sand/ topsoil



Lawn

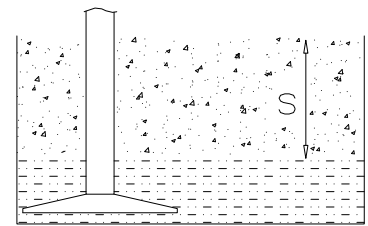


$h = 1600-$

$h < 3000$

Loose fill material

E.g.  
sand/gravel 0,25...8 mm  $D_{60}/D_{10} < 3,0$   
Woodchips 5...30 mm  
bark 20...80 mm

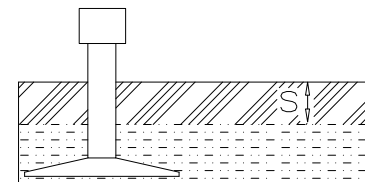


$\underline{S}$   
30 cm       $\underline{h}$   
< 3,0 m

Syntethic granulates

$\underline{S}$        $\underline{h}$   
40 mm  $\sim >$  1,6... $\sim <$  1,8 m  
50 mm  $\sim >$  1,8... $\sim <$  2,25 m  
55 mm  $\sim >$  2,25... $\sim <$  2,4 m  
60 mm  $\sim >$  2,4... $\sim <$  2,55 m  
70 mm  $\sim >$  2,55... $\sim <$  3,0 m

Note. For accurate values, see manufacturer's instructions.



**Tuotekyltti tulee tuotteen mukana yhdellä seuraavista tavoista:****1) Metallinen tuotekyltti ja kiinnitysruuvit**

- Kiinnitä tuotekyltti ruuveilla tolppaan noin 2 metrin korkeuteen kuvan 1 mukaisesti.

**2) Tuotekyltitarra**

- Puhdista maalattu metalli- tai vaneripinta pölystä ja kosteudesta. Liimaa tarra kuvan 2 mukaisesti.
- Huom. Älä kiinnitä tarraa karheapintaiseen laminaattiin tai maalattuun puuhun.

**Vår produktmärkning levereras på ett av följande sätt:****1) Produktskylt i metall**

- Fäst skylten med de medföljande skruvarna

**2) Självhäftande produktetikett**

- Rengör den pulverlackerade metallytan eller laminatyten så att den blir fri från smuts och fukt. Fäst etiketten enligt fig. 2.
- Obs! Fäst ej etiketten på detaljer med skrovlig yta eller på målat trä.

**Product label is delivered by one of following ways:****1) Metal product label and screws**

- Fasten the label with screws.

**2) Label sticker**

- Clean the painted metal or plywood surface from dirt and moisture. Fasten the sticker as shown in the figure 2.
- Note. Do not attach the sticker to rough surfaced laminate or painted wood.

**La plaque d'informations produit est livrée sous l'une de ces 3 formes :****1) Plaque métallique et vis**

- Fixez la plaque à l'aide des vis.

**2) Etiquette autocollante**

- Avant de coller l'étiquette, nettoyez le composant métallique peint ou la plaque de contreplaqué, de toute saleté. La surface doit être sèche (voir image 2).
- Attention, ne pas coller l'étiquette sur une surface lamellé-collée irrégulière ou sur du bois peint.

**Die Auslieferung des Produktaufklebers erfolgt auf eine dieser Arten:****1) Produkt-Schild aus Metall incl. Schrauben**

- Die Befestigung des Schildes erfolgt mittels der Schrauben.

**2) Aufkleber**

- Entfernen Sie zunächst Schmutz und Feuchtigkeit vom lackierten Metall bzw. von der Holzoberfläche und bringen Sie den Aufkleber wie im Bild oben rechts beschrieben auf den gesäuberten Untergrund auf.
- Beachten Sie: Bringen Sie den Aufkleber nicht auf raues laminiertes oder lackiertes Holz an.