

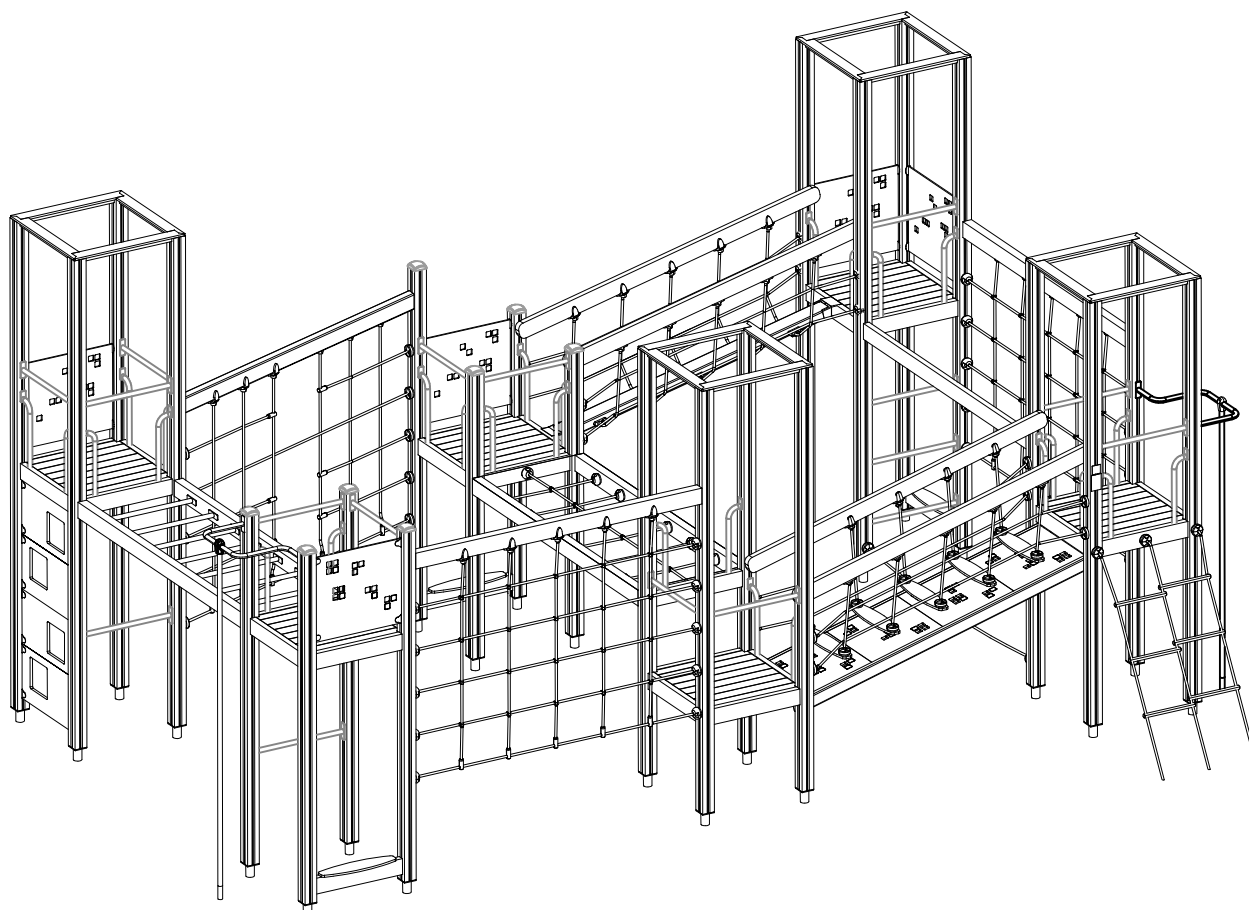
# LAPPSET®

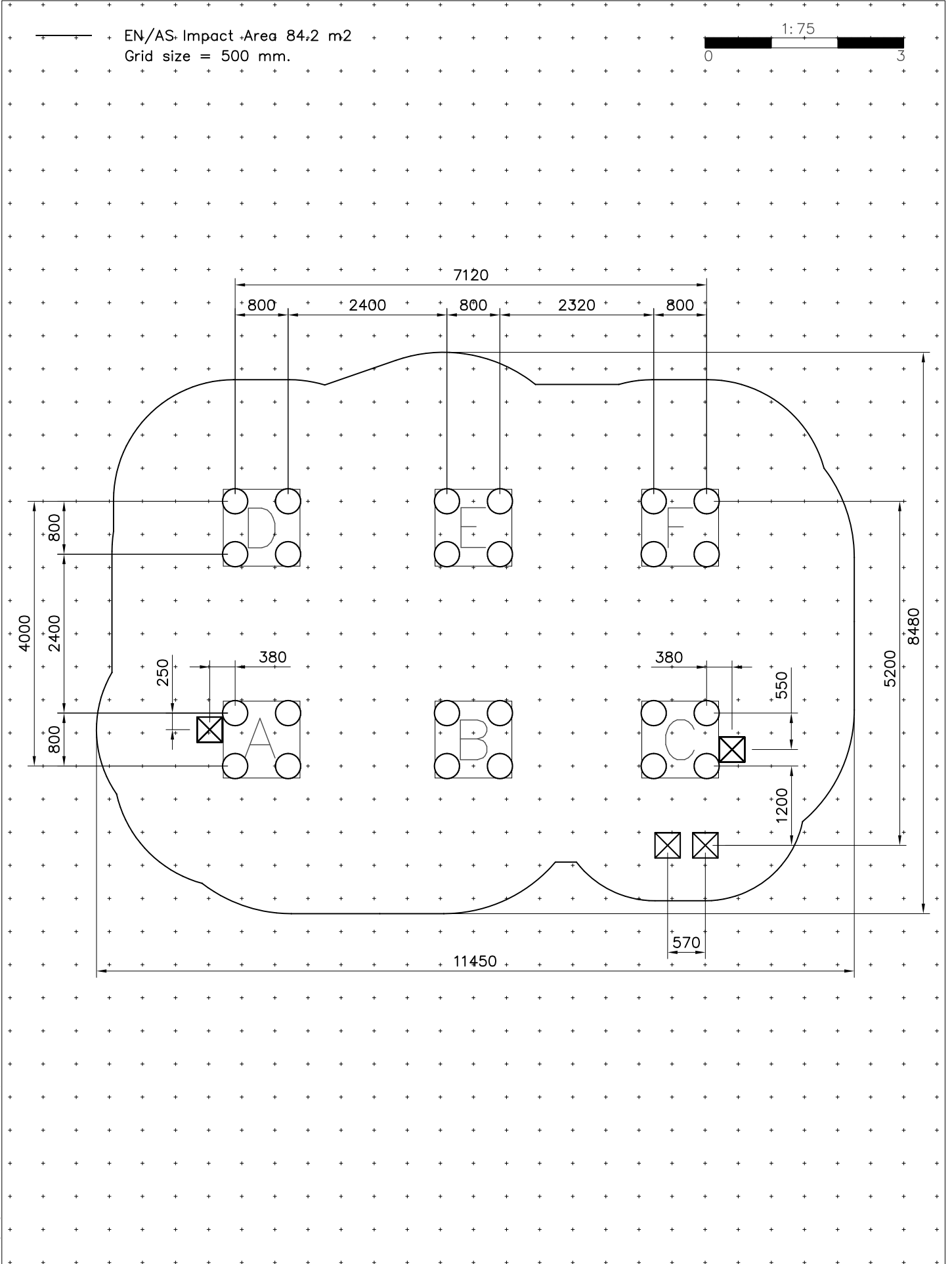
## FINNO

ASENNUSOHJE  
MONTERINGSANSVISNING  
INSTALLATION INSTRUCTION  
AUFBAUANLEITUNG  
NOTICE D'INSTALLATION

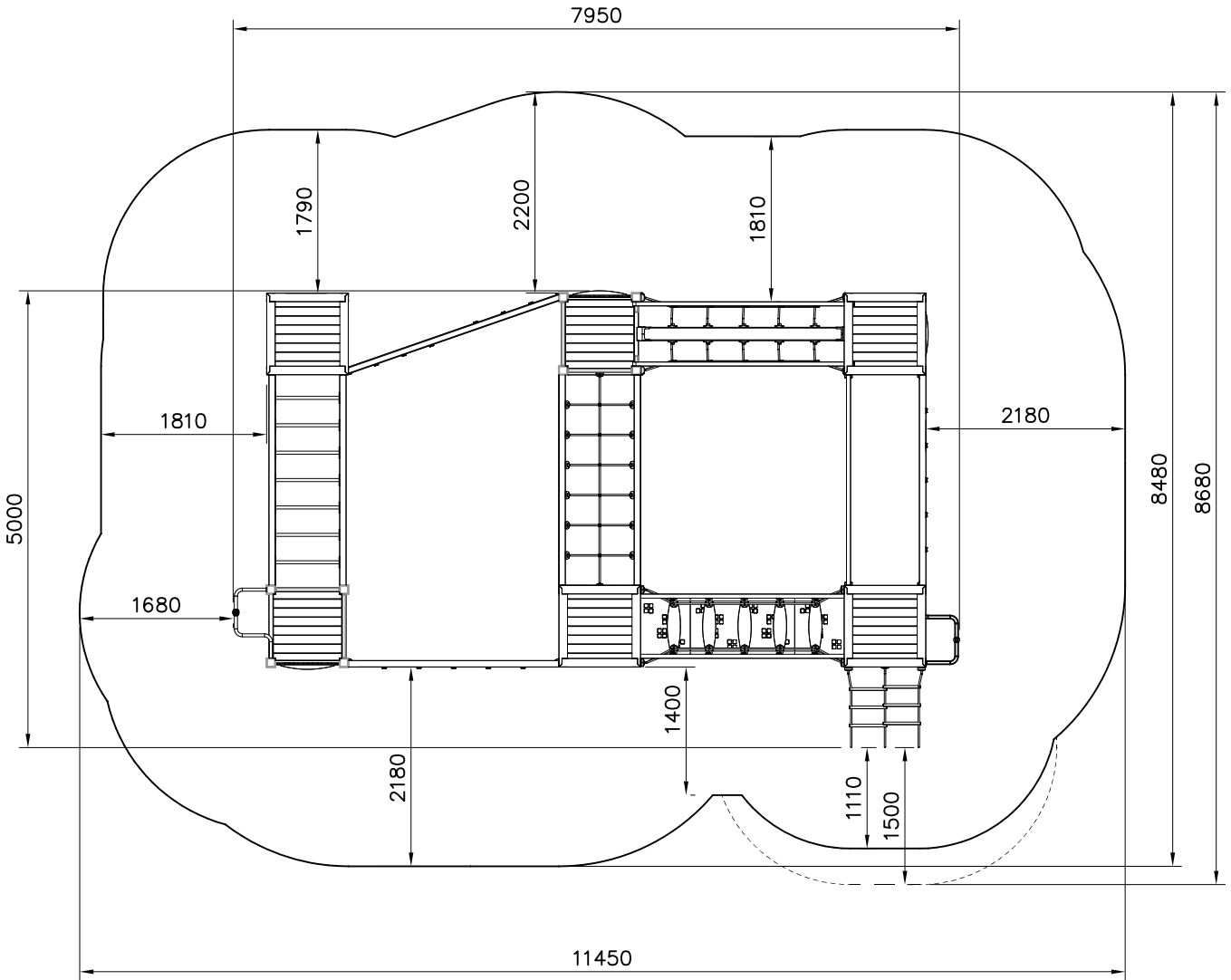
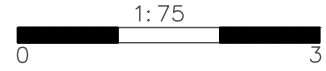
DATE: 10.6.2020

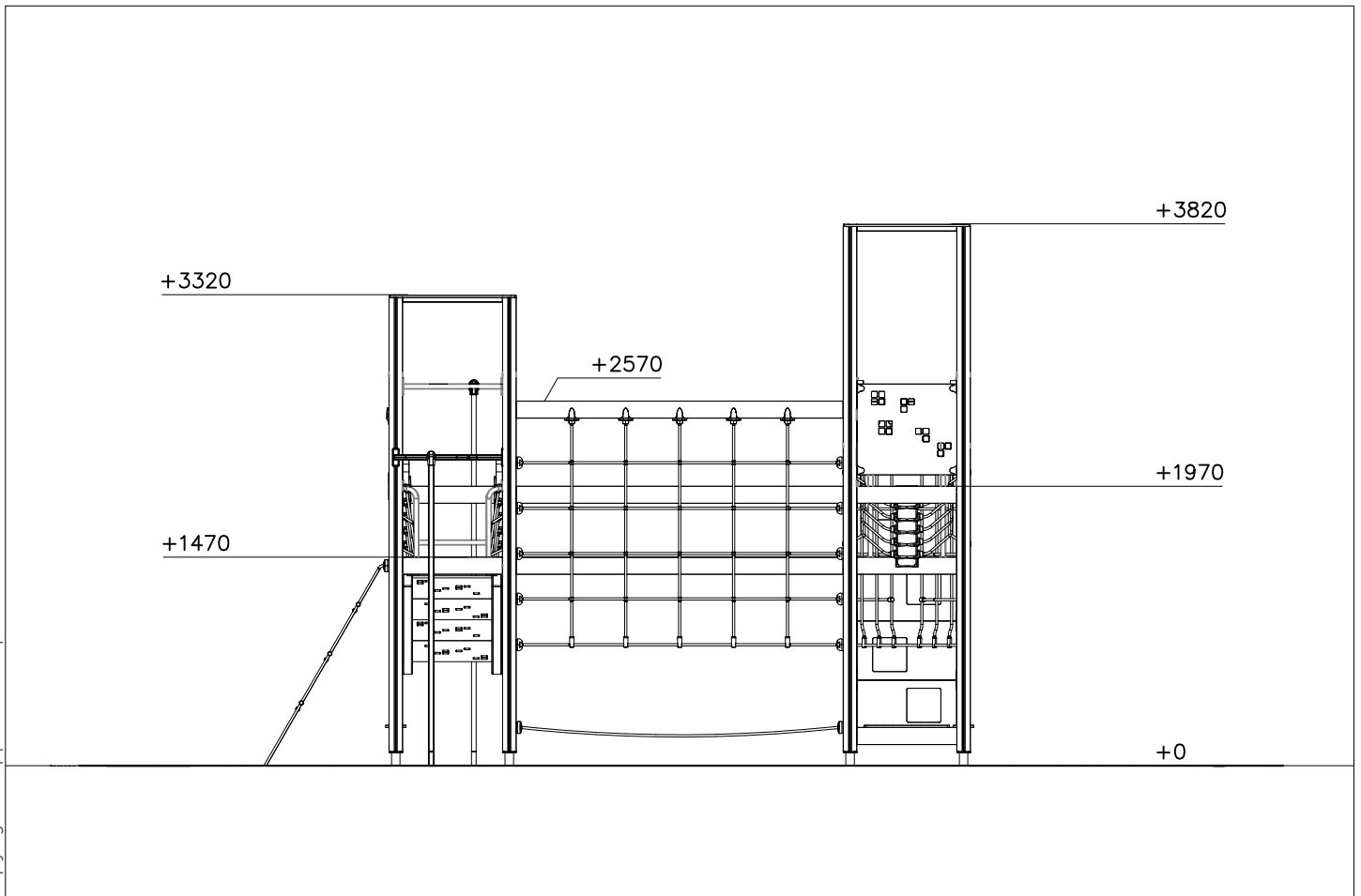
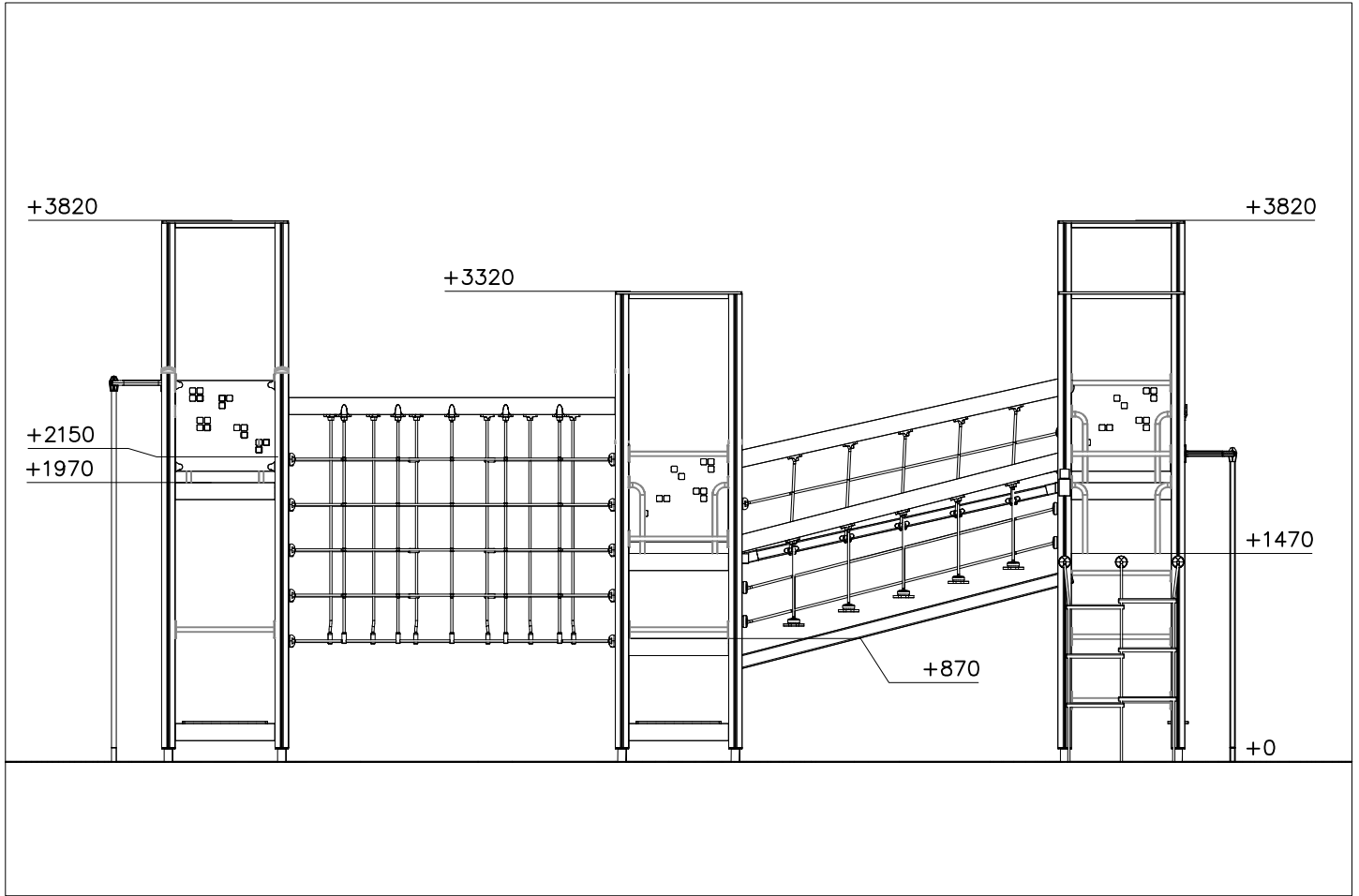
### 137300M

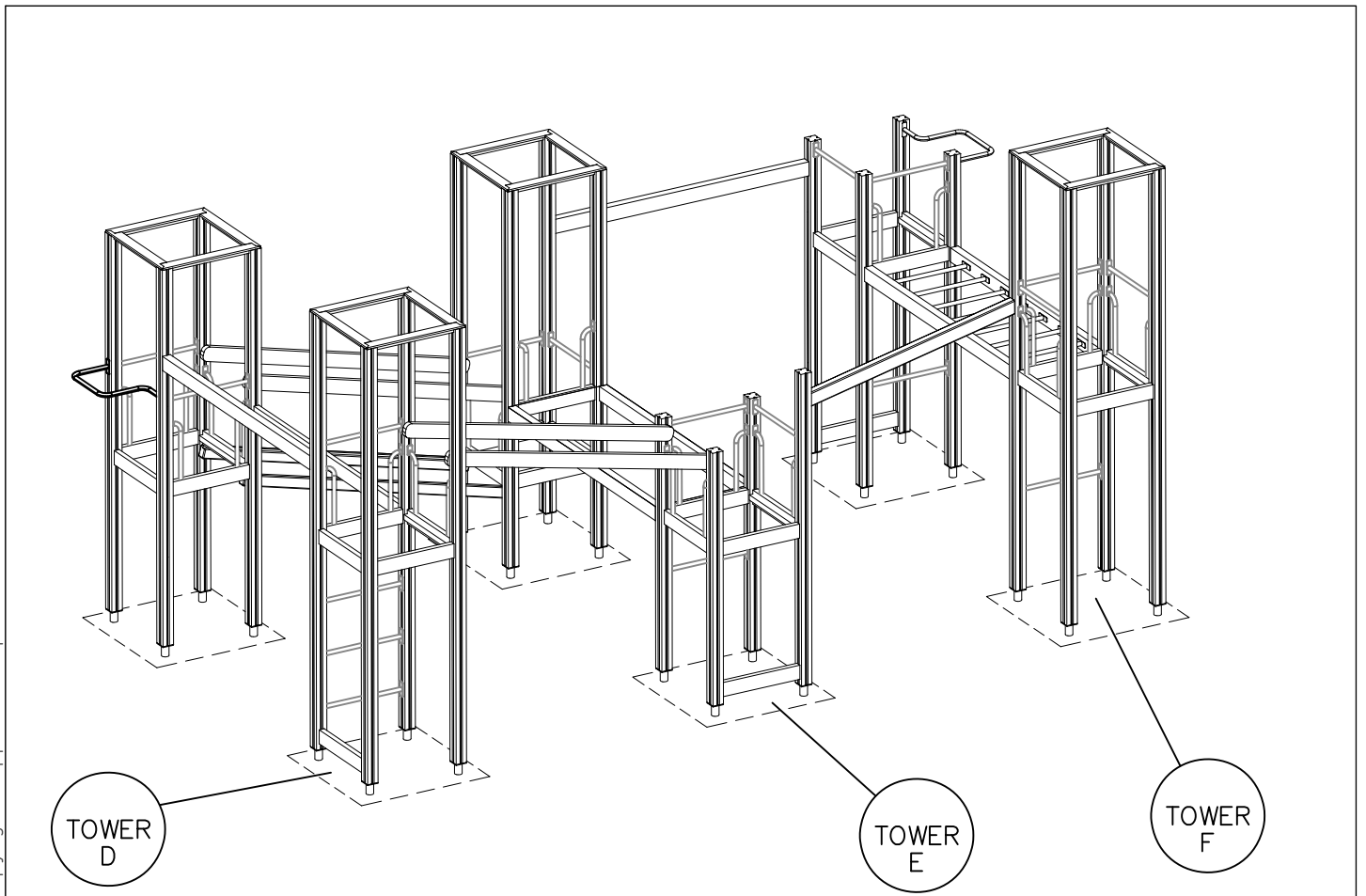
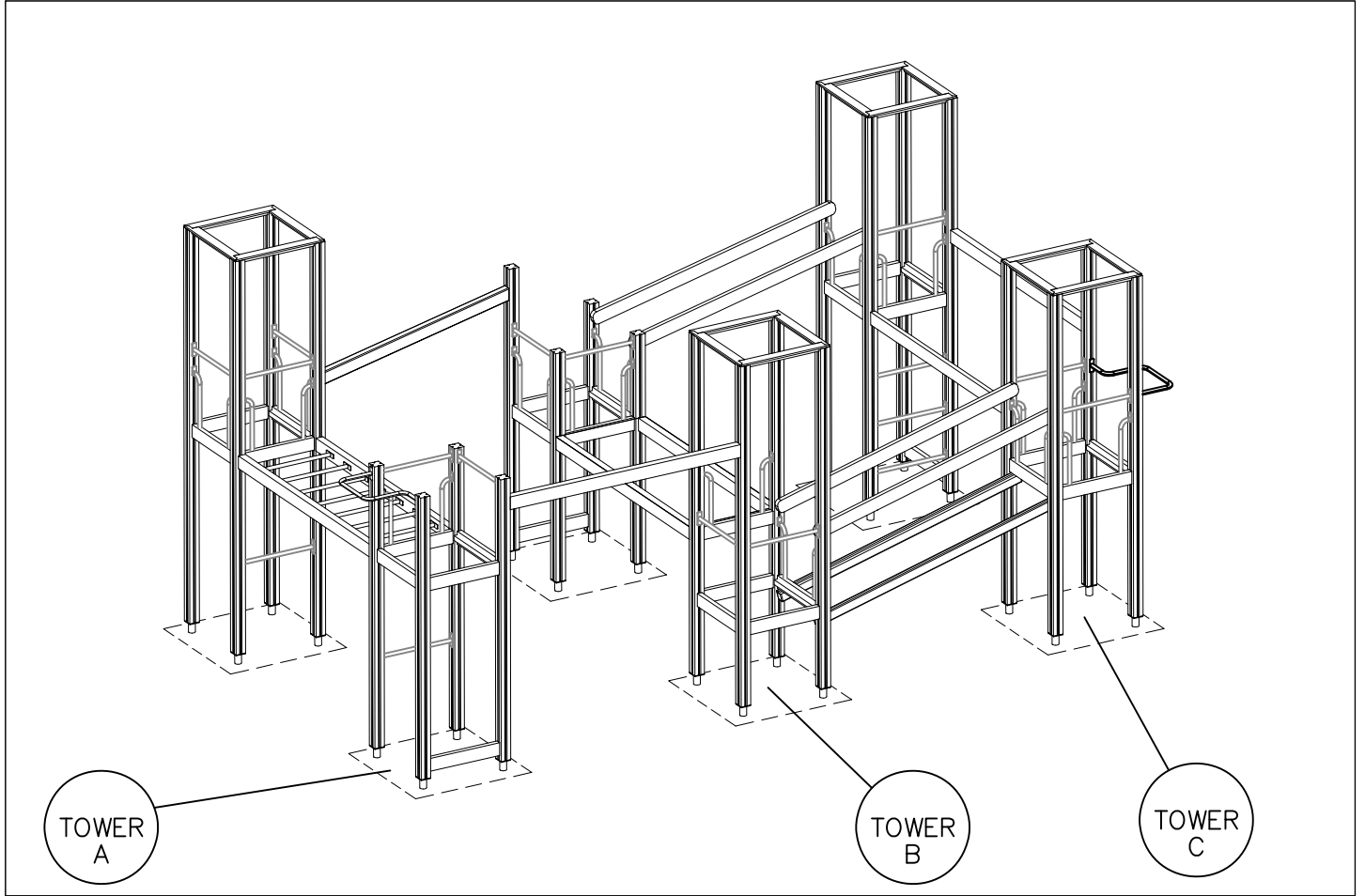


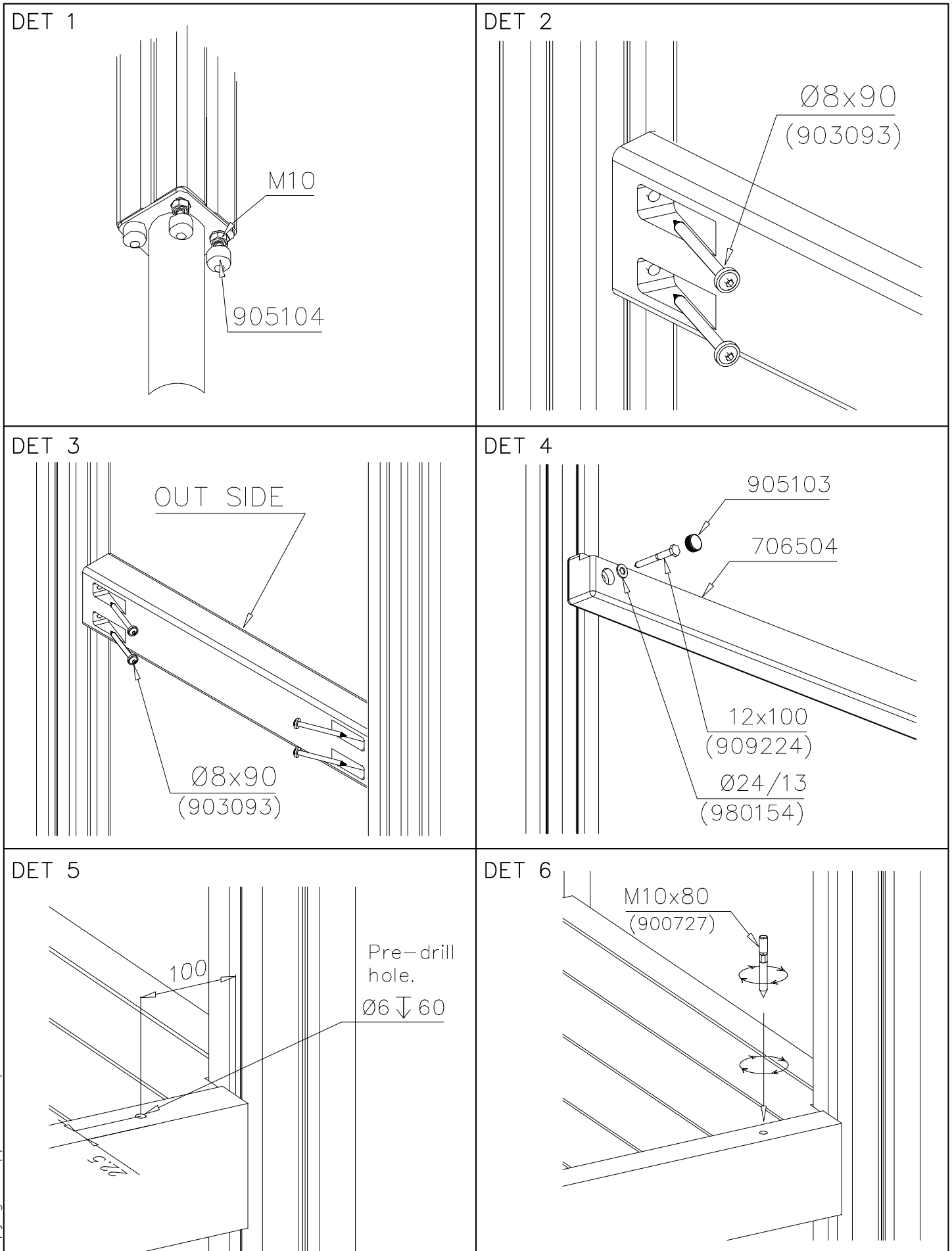


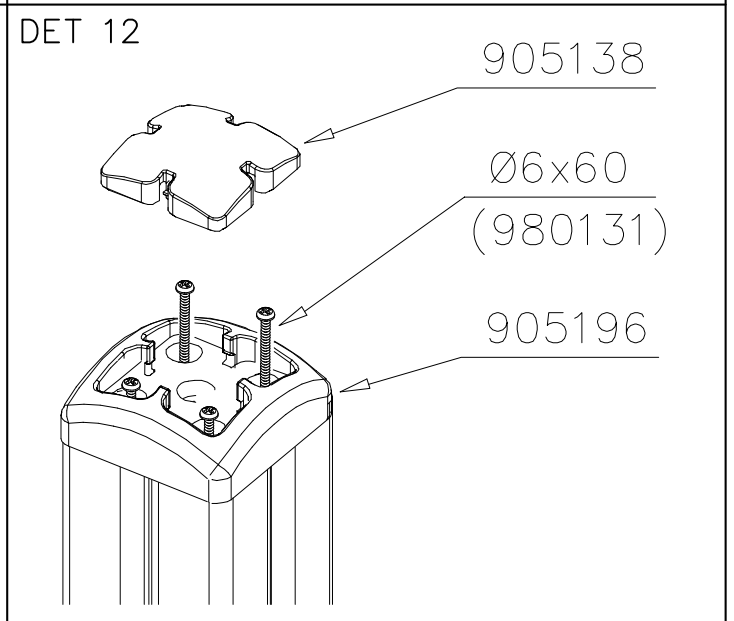
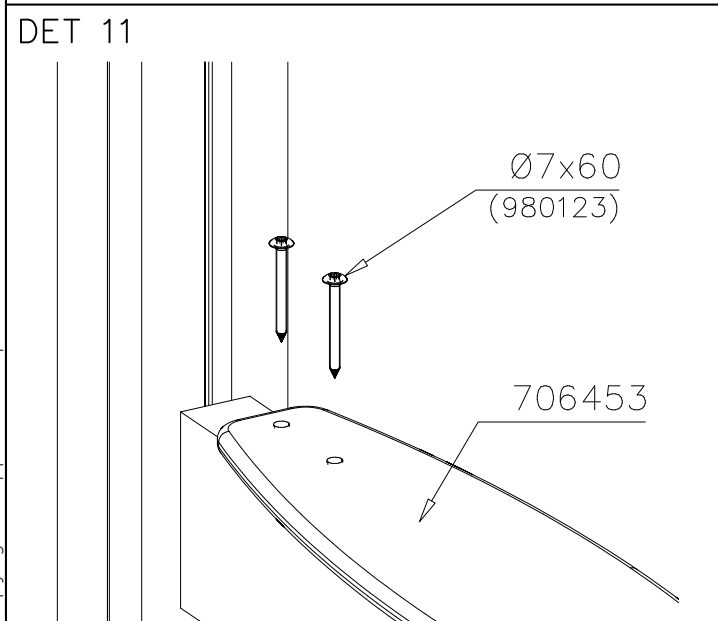
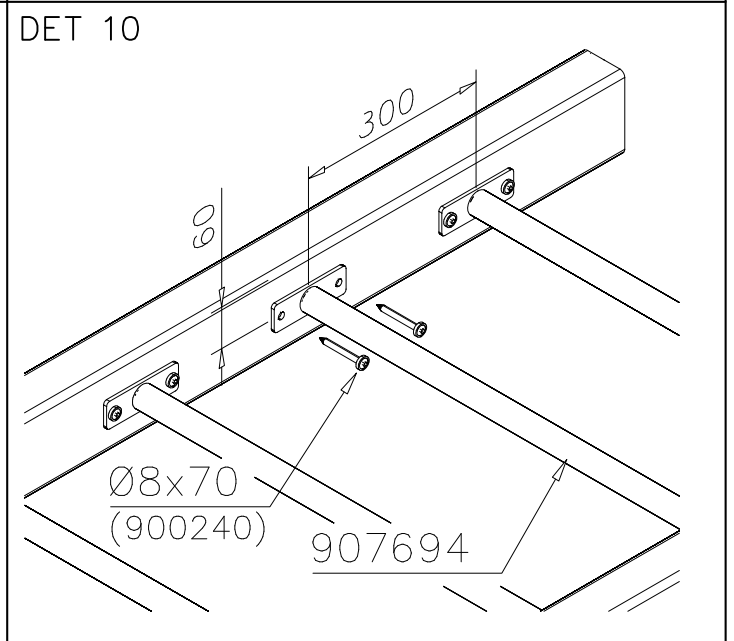
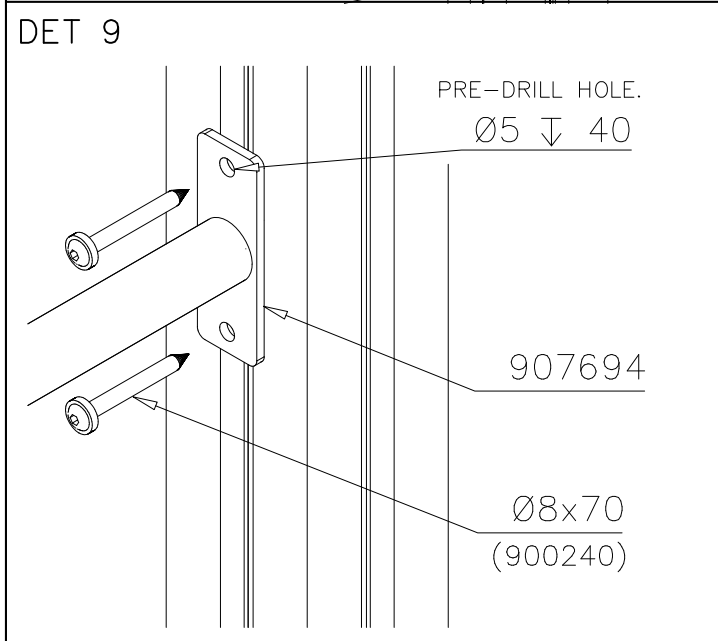
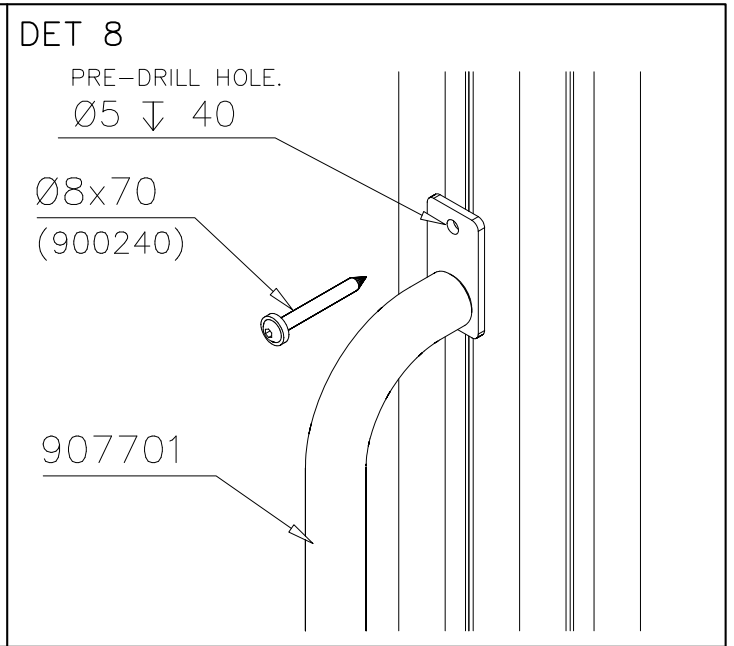
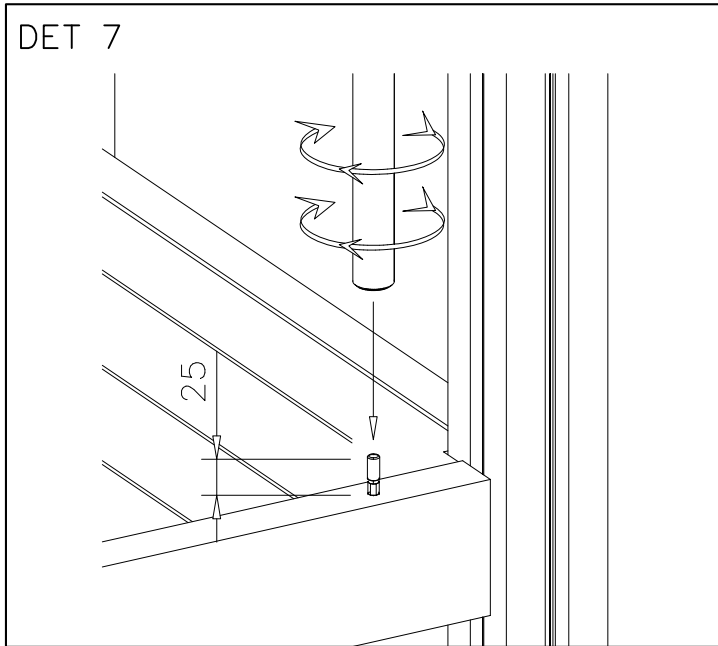
- EN/AS Impact Area 84.2 m<sup>2</sup>
- - - Falling Space 85.6 m<sup>2</sup>  
Max Falling Height 2570 mm



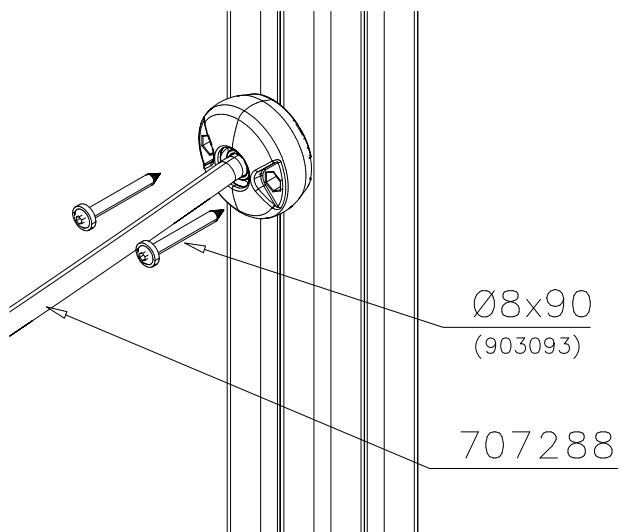








DET 13



DET 14

DET 15

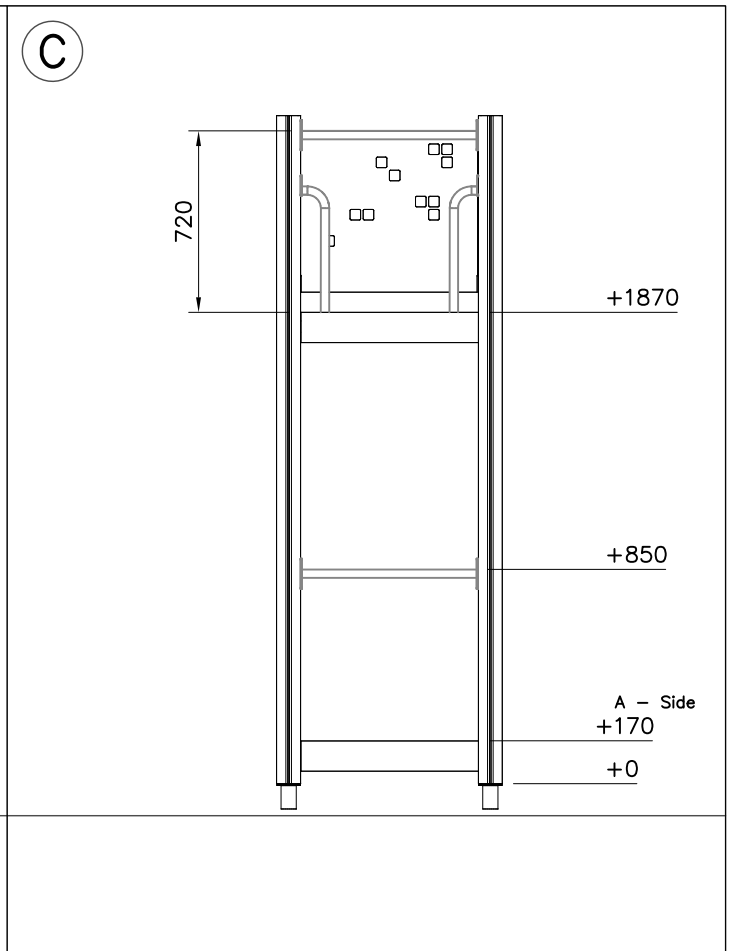
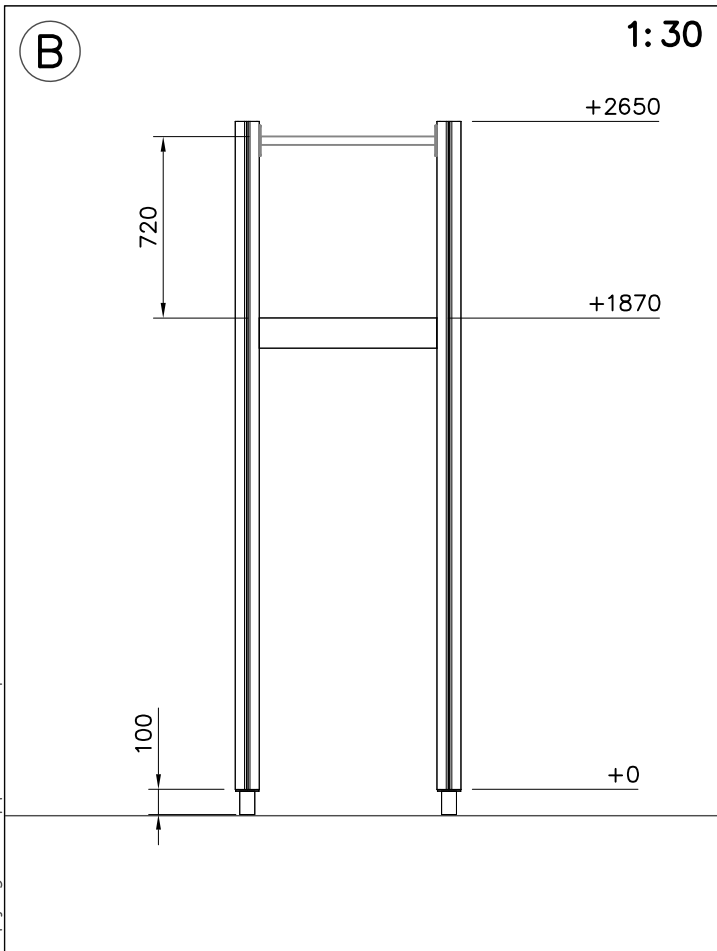
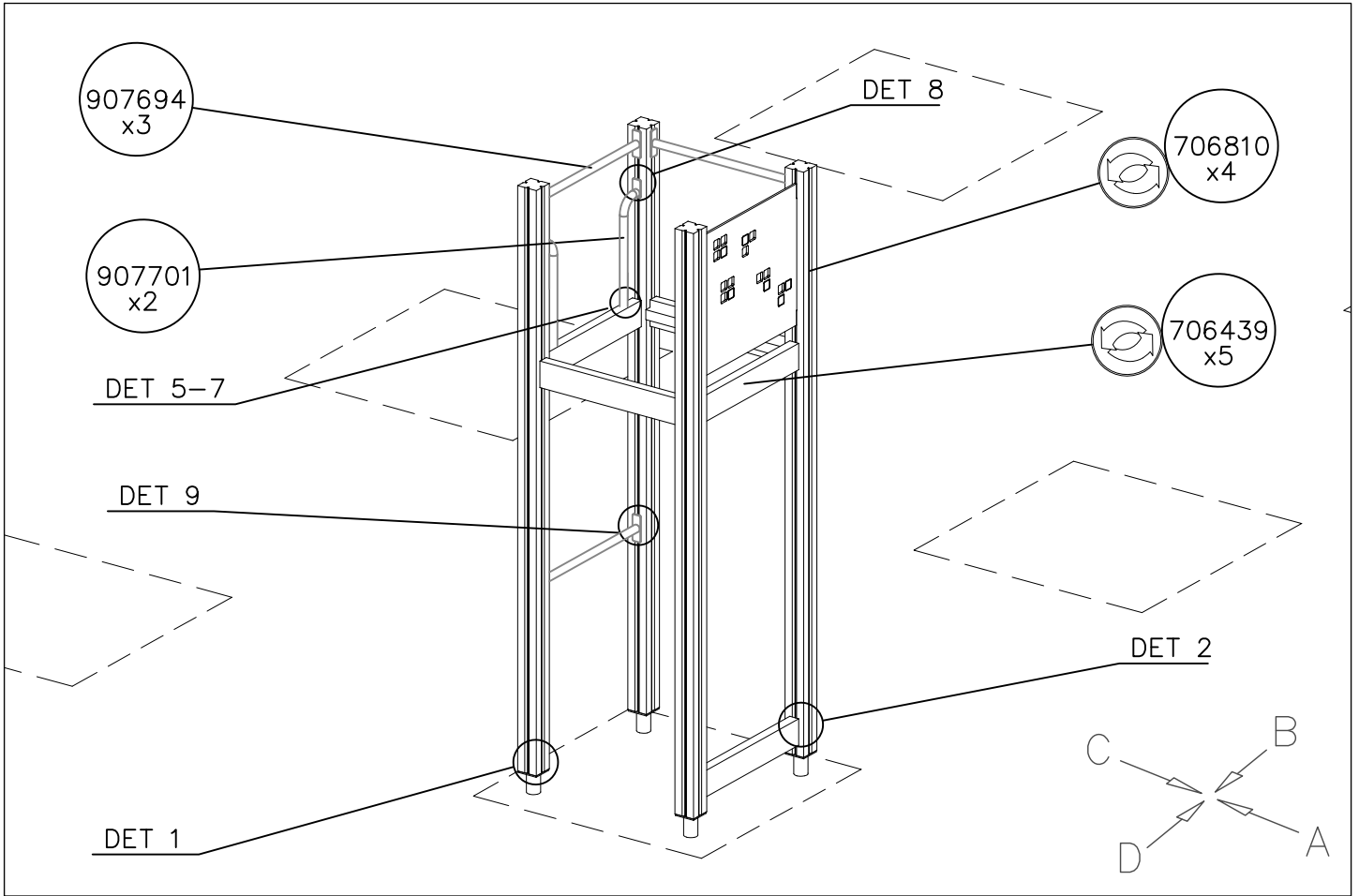
DET 16

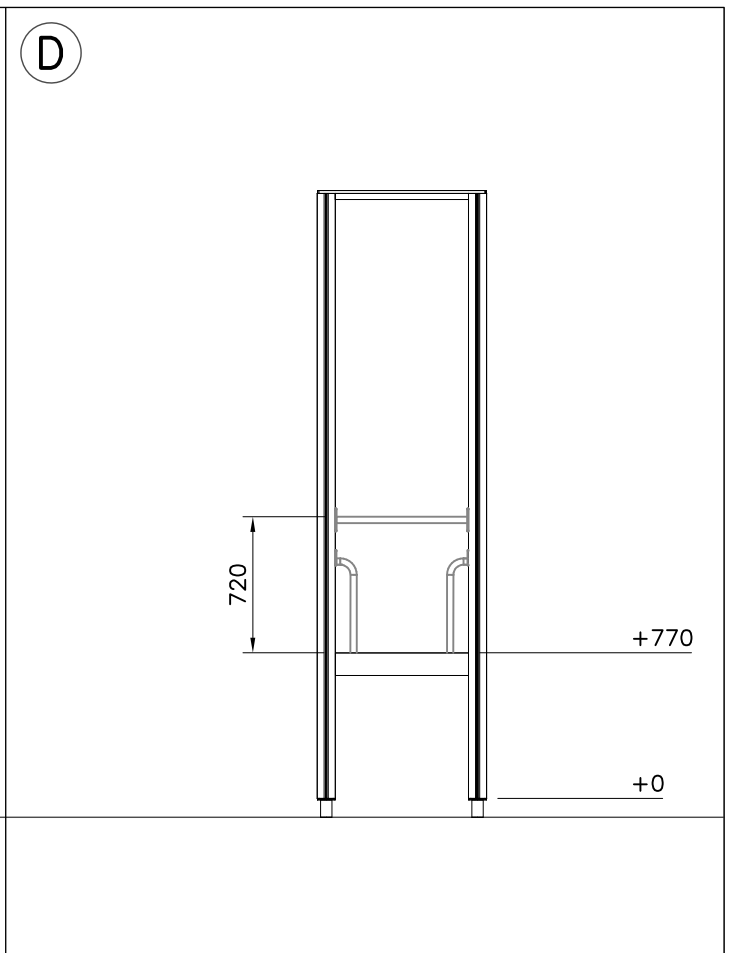
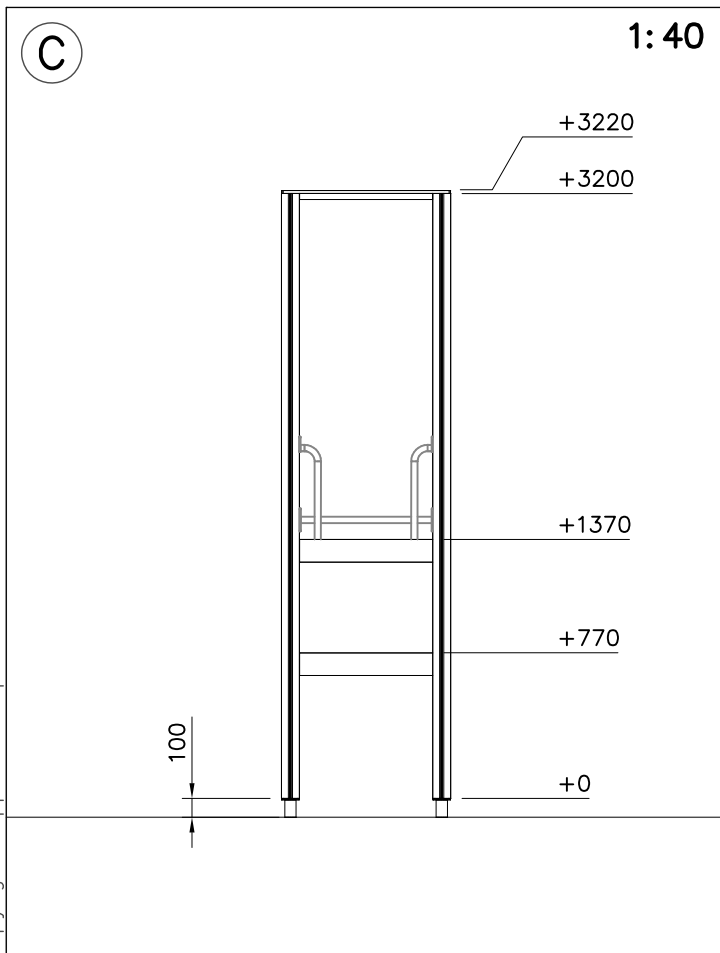
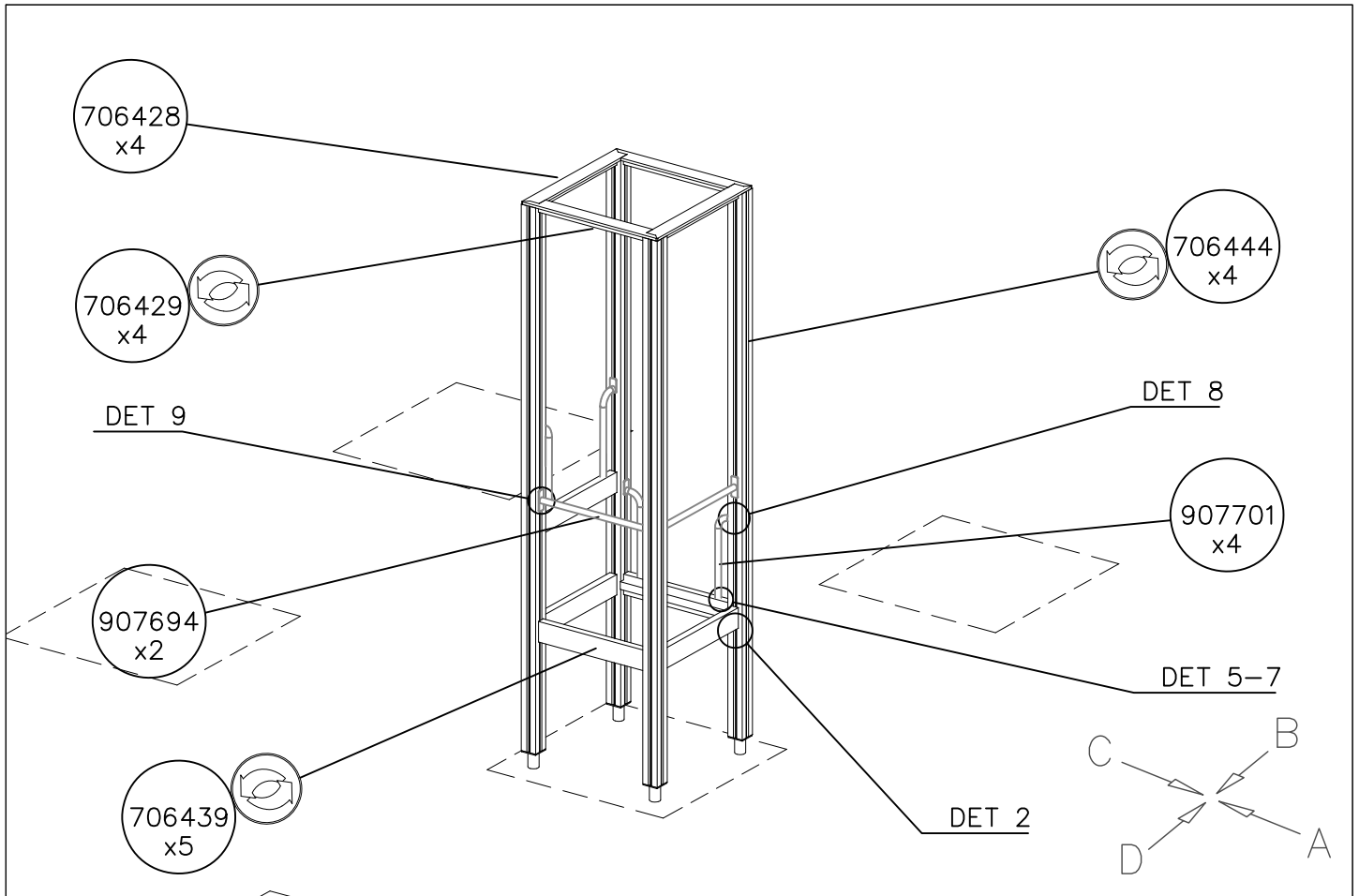
DET 17

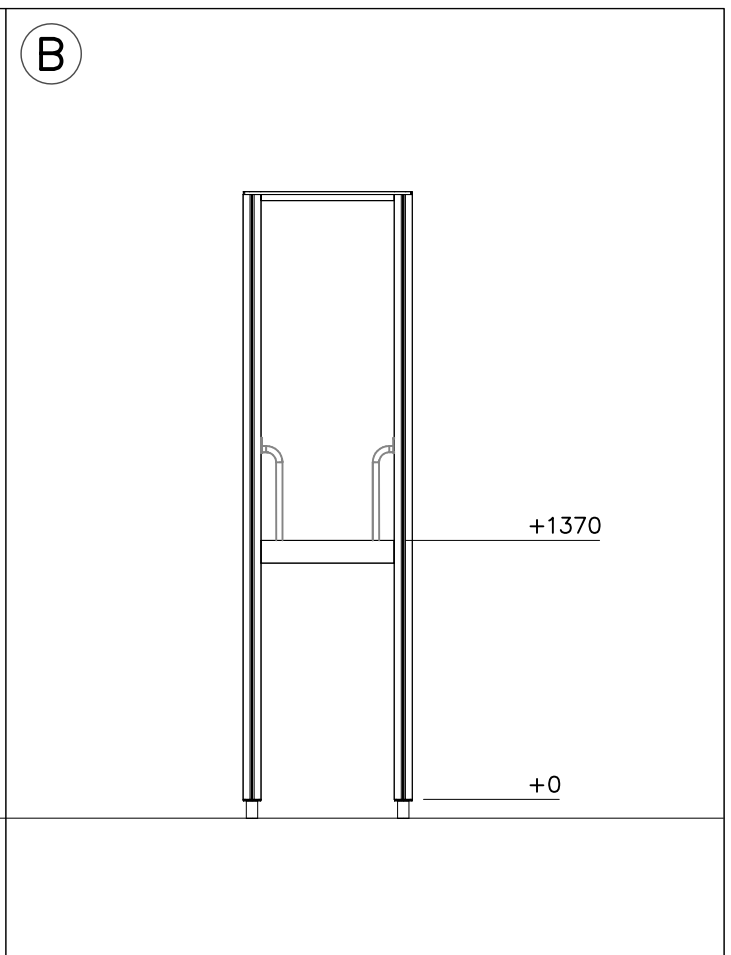
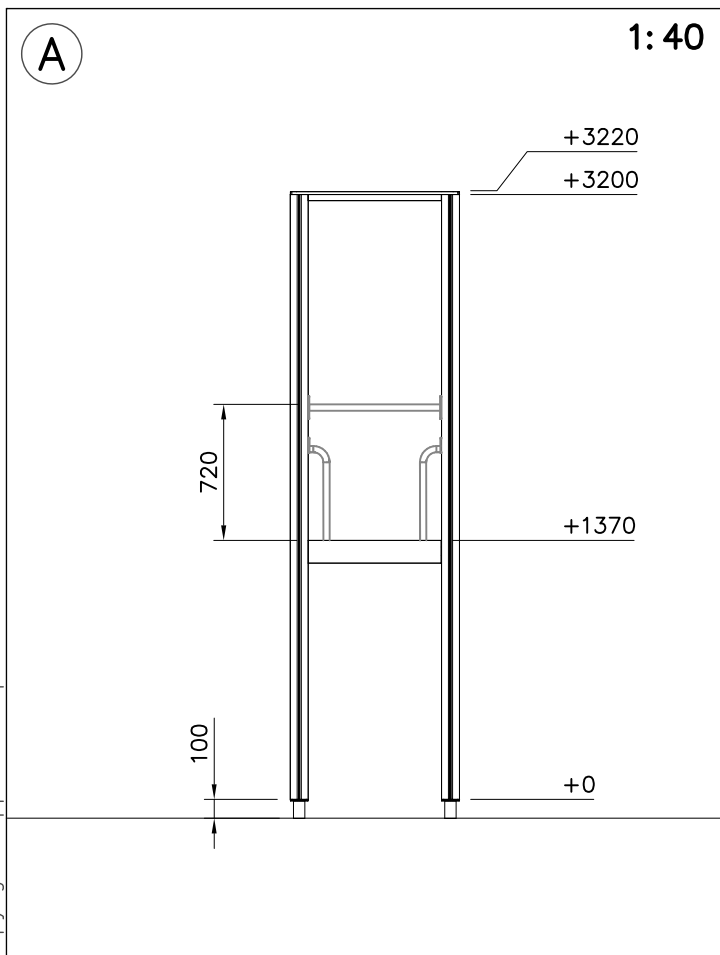
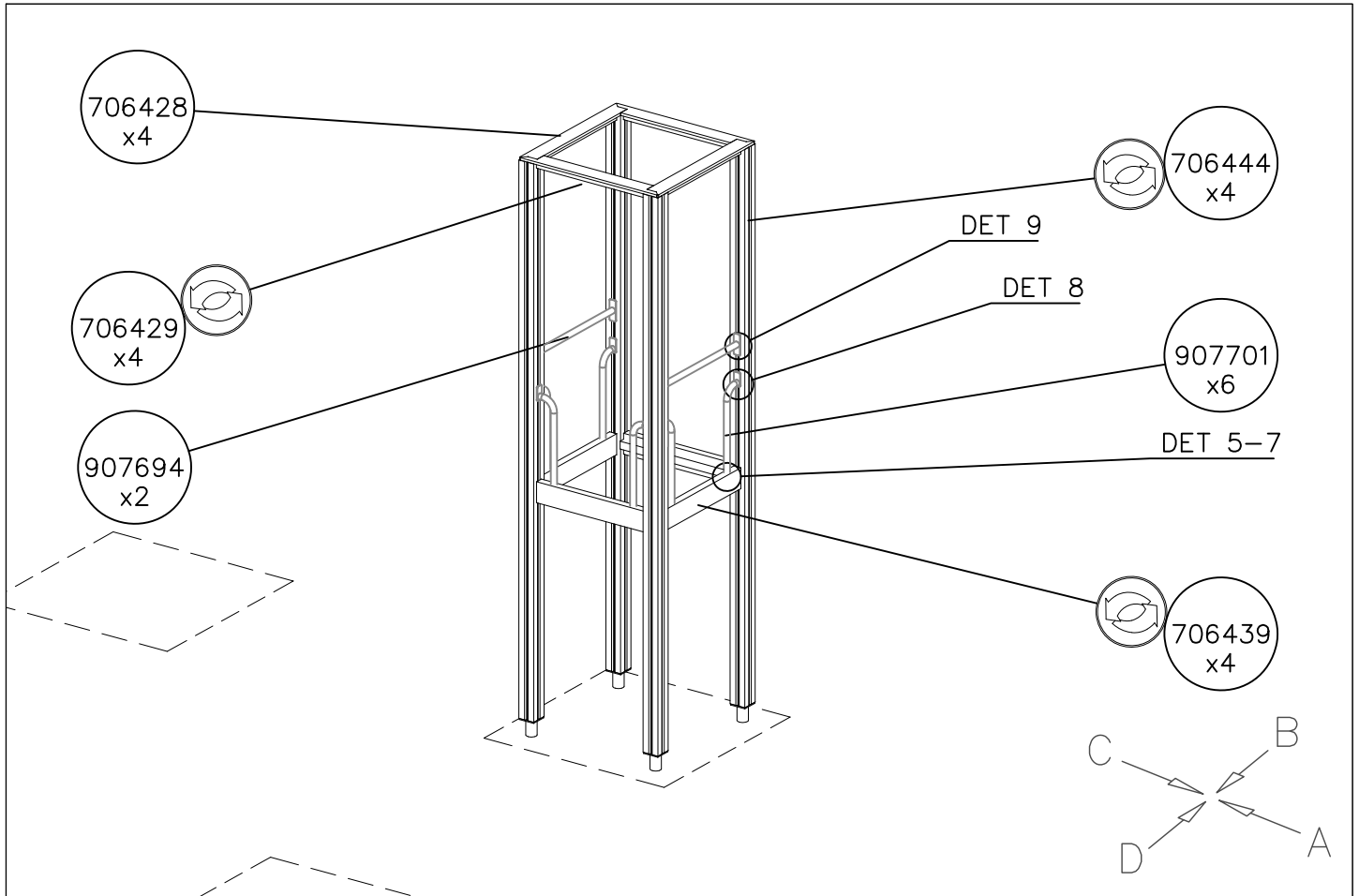
DET 18

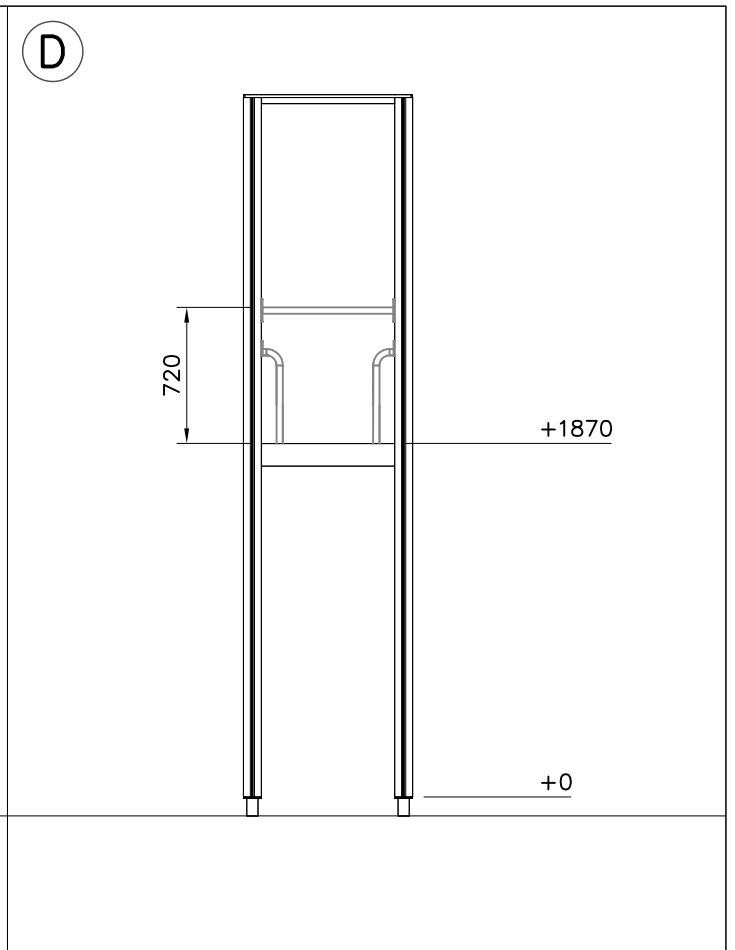
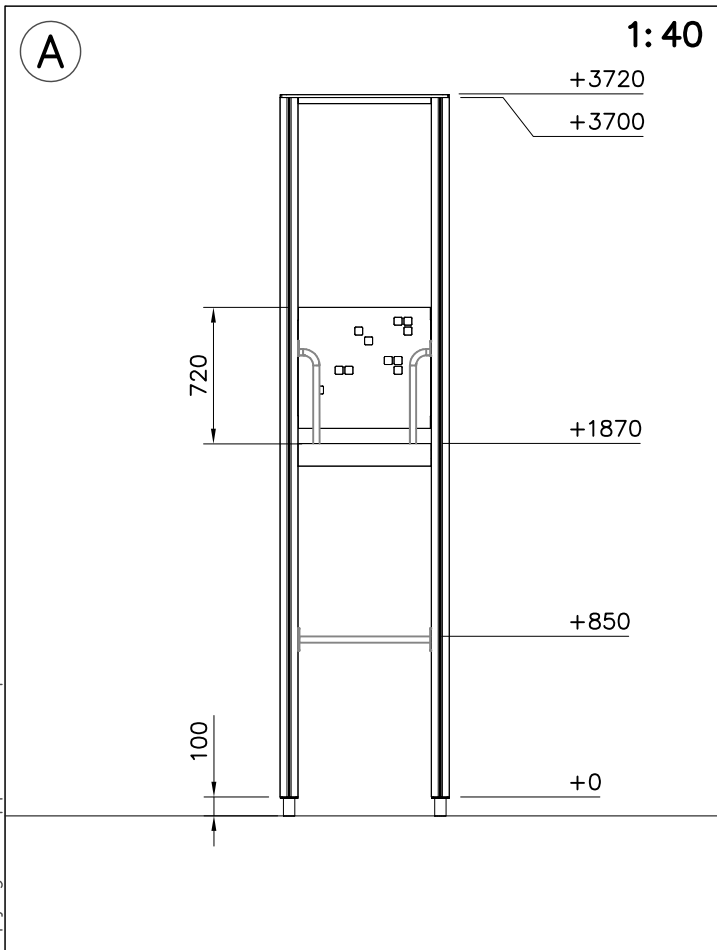
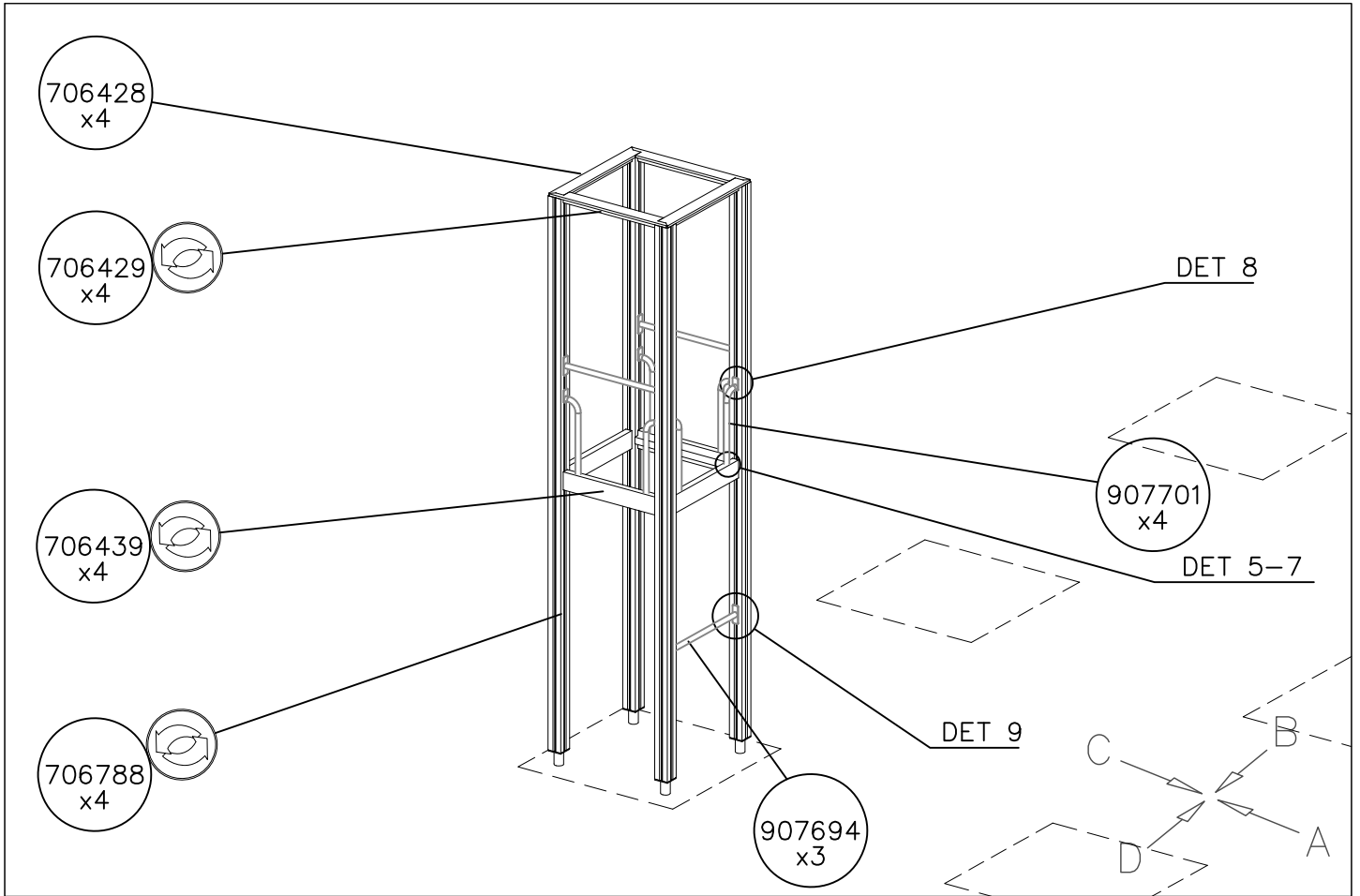


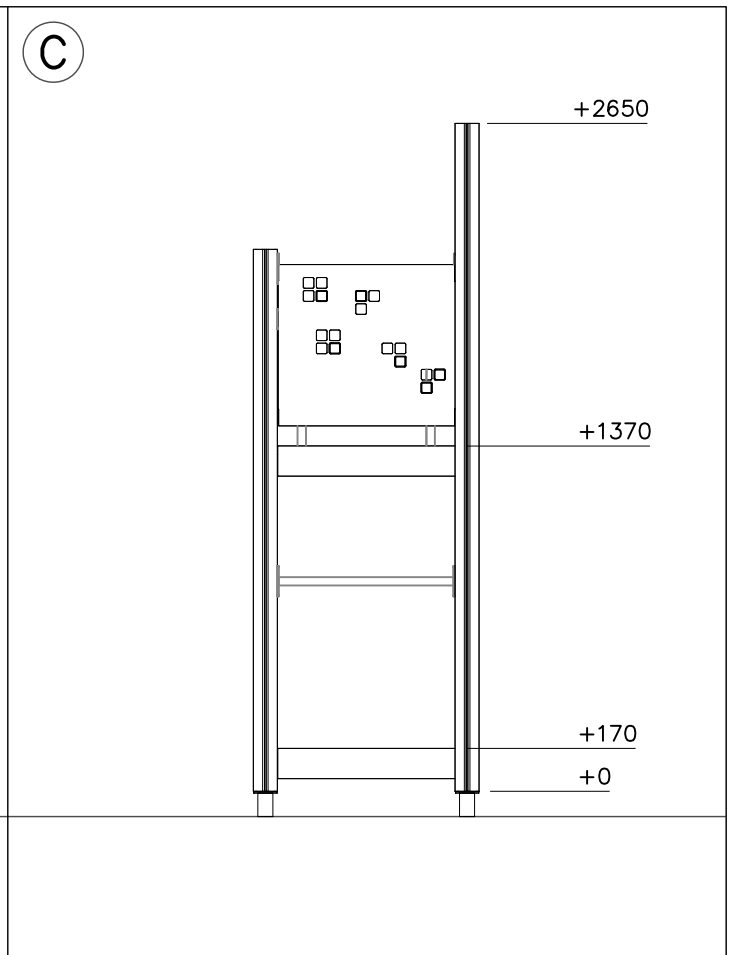
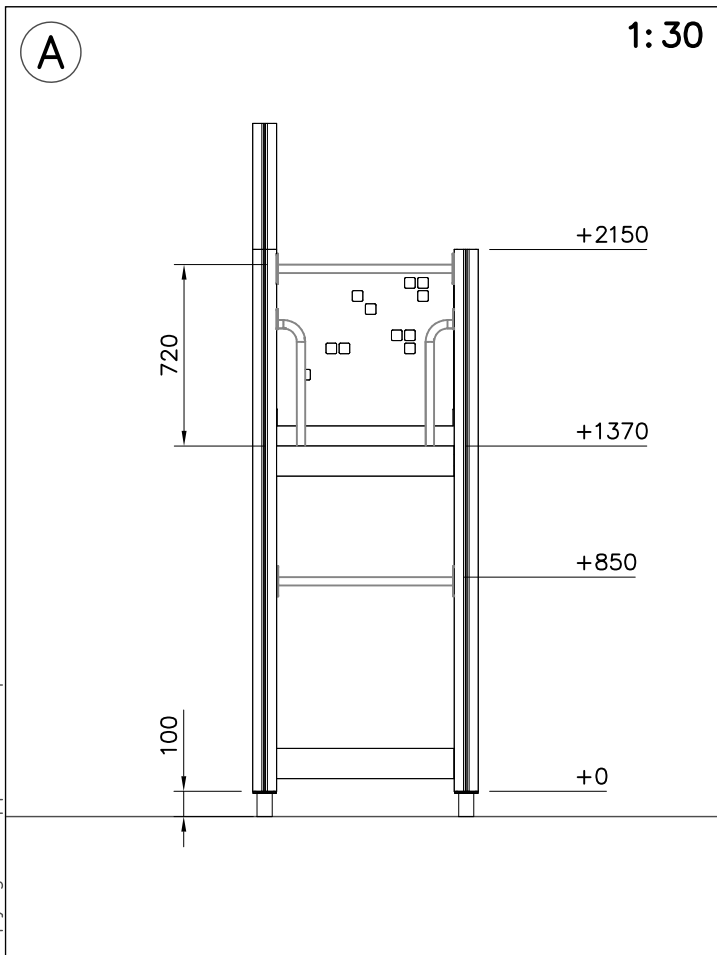
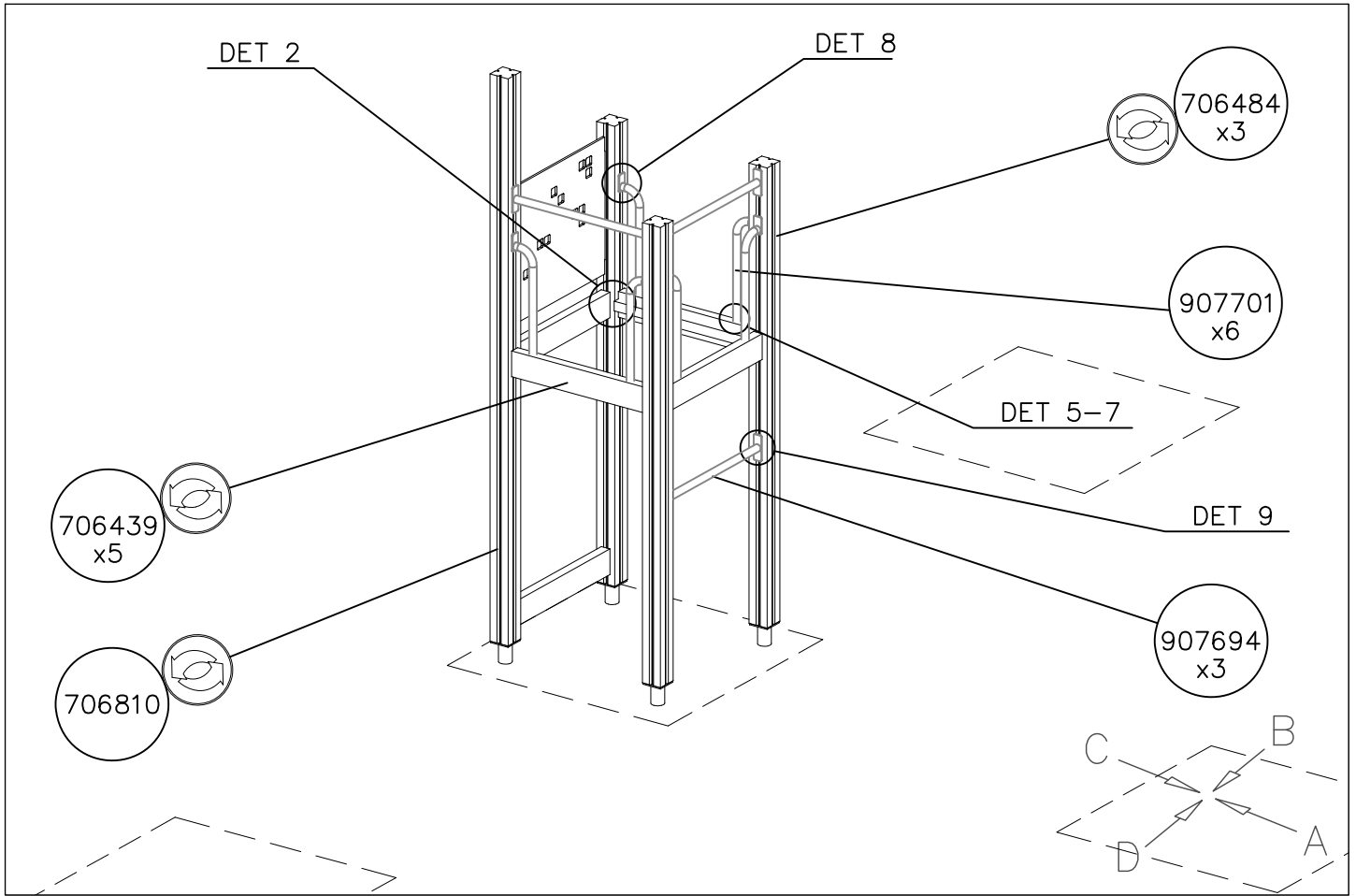
DATE: 10.6.2020

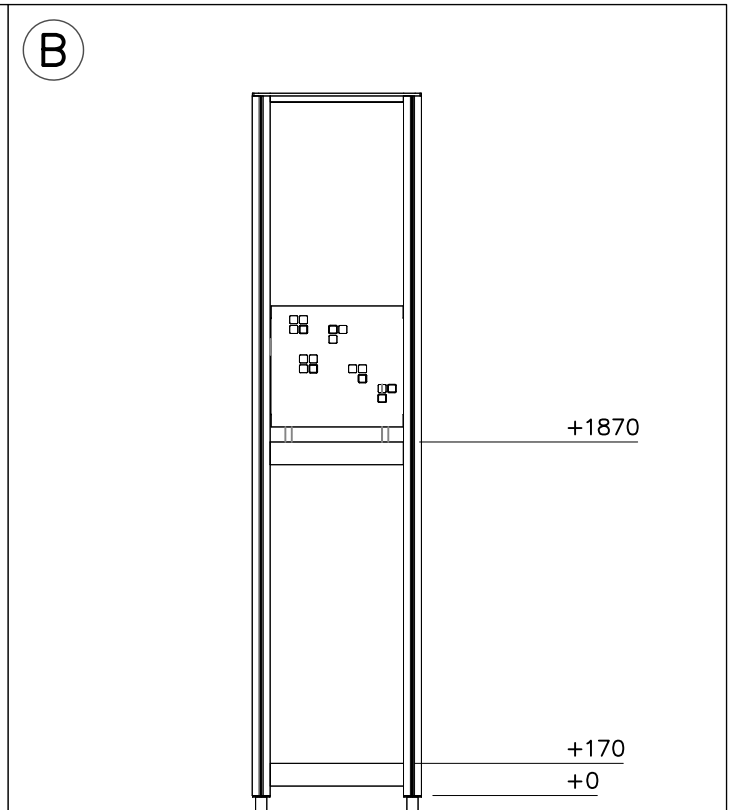
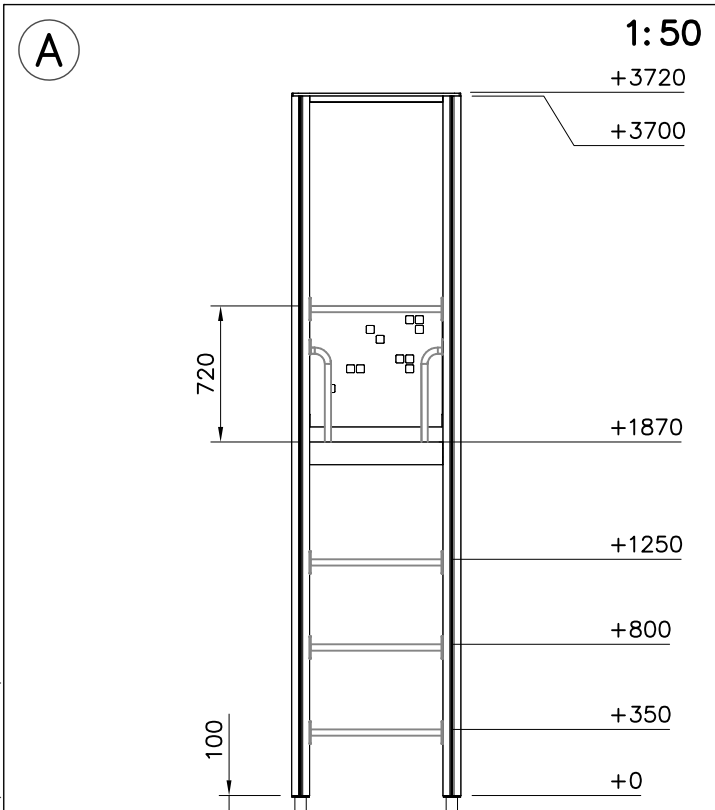
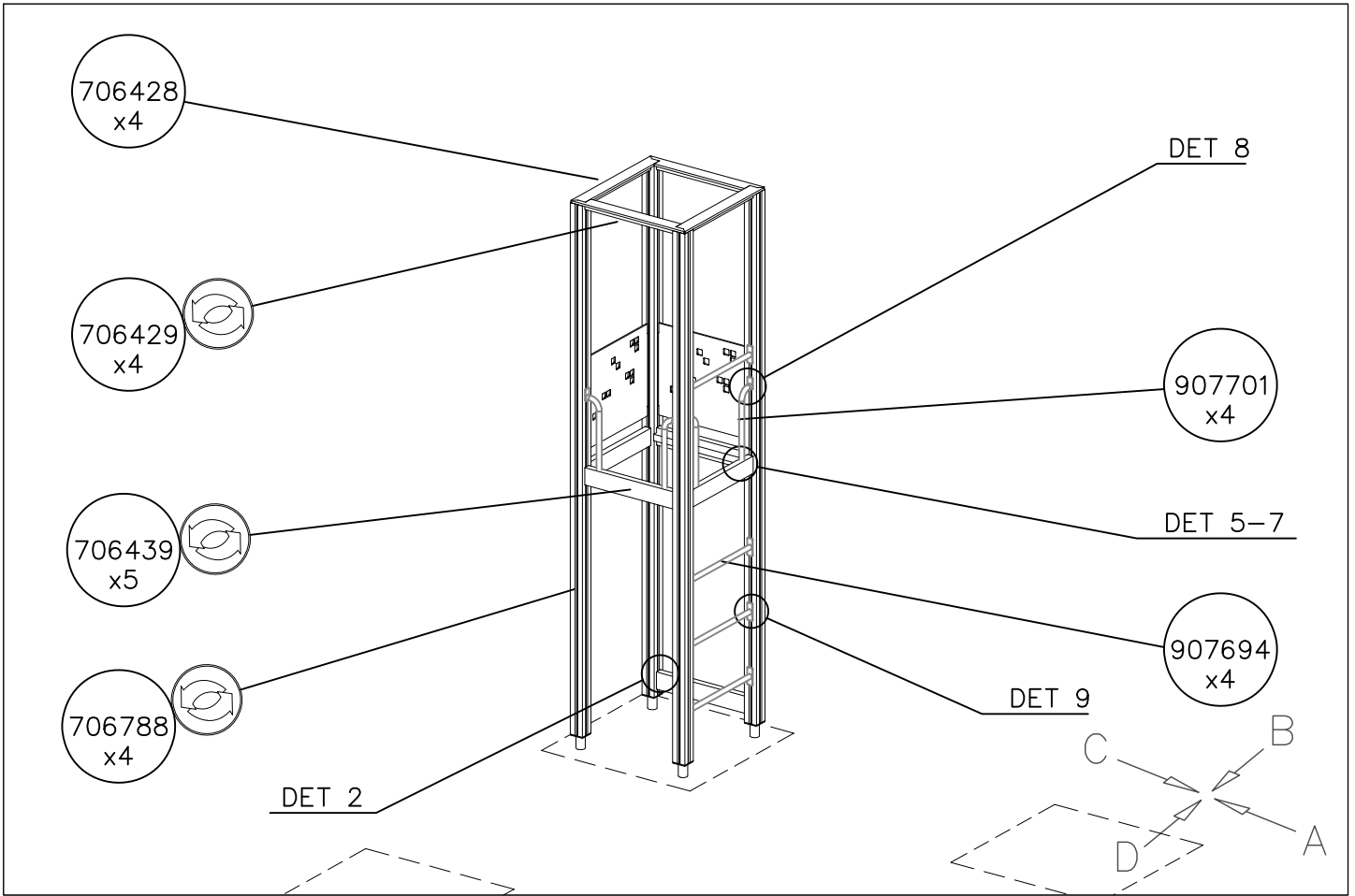




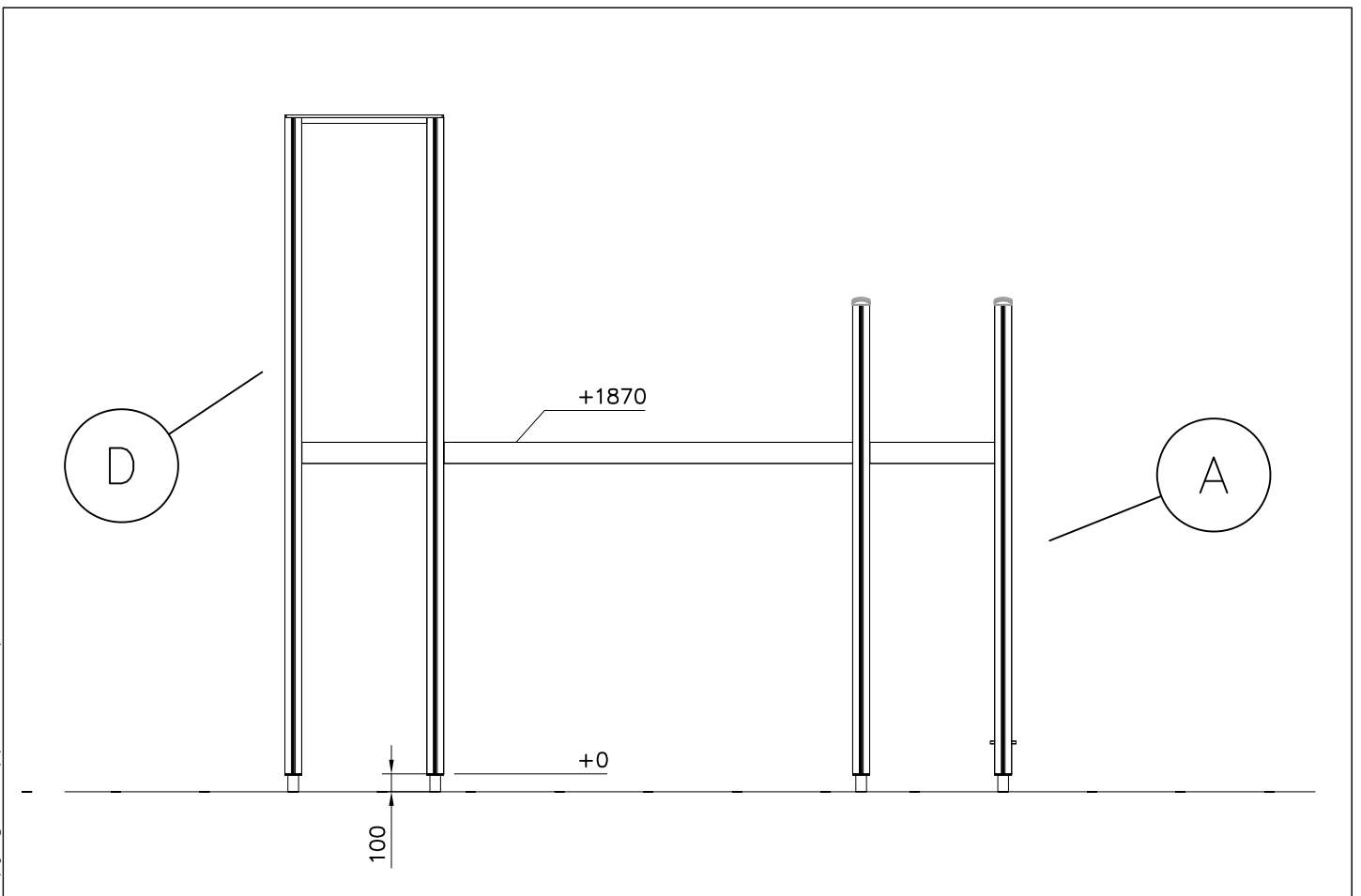
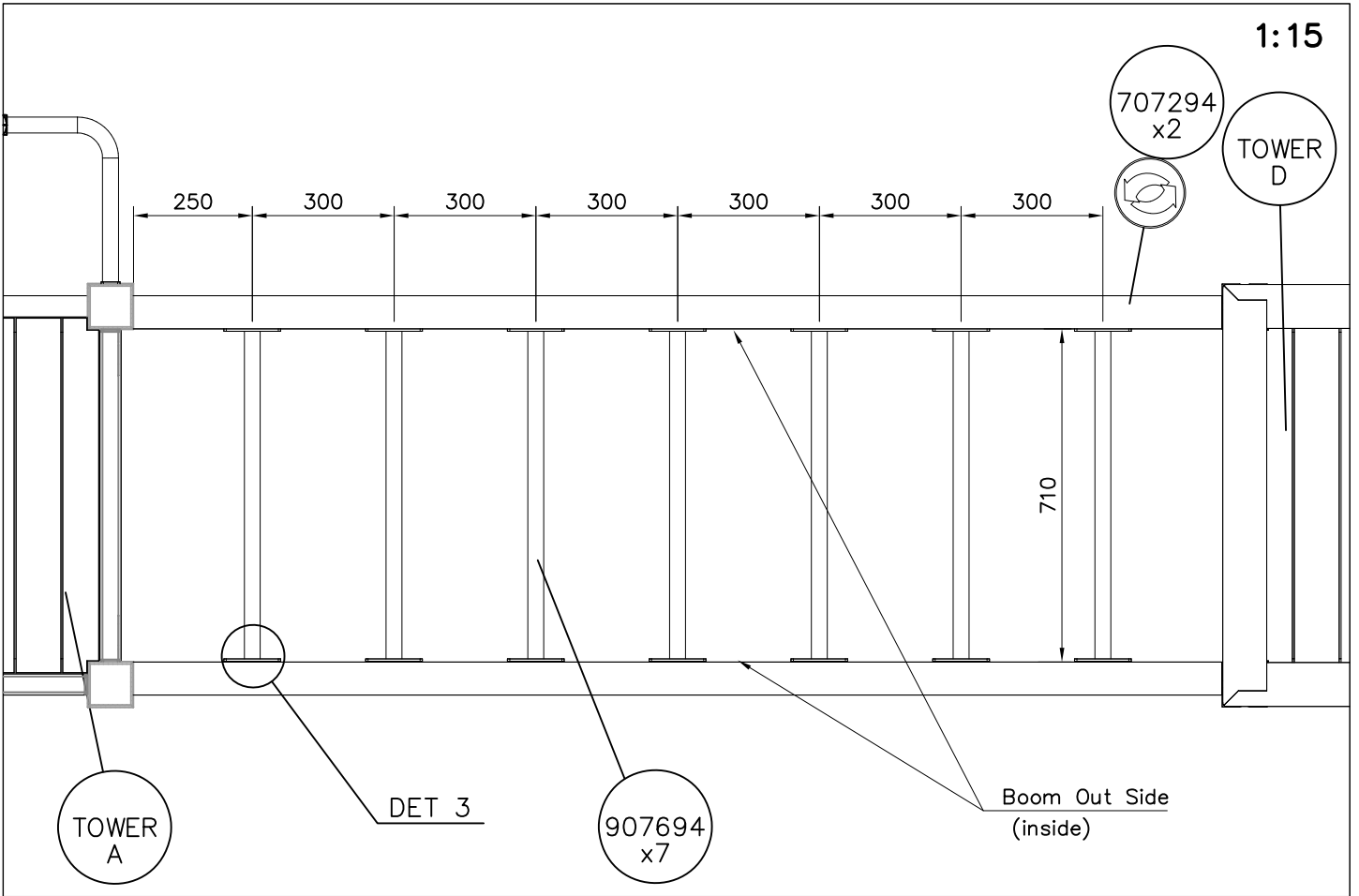


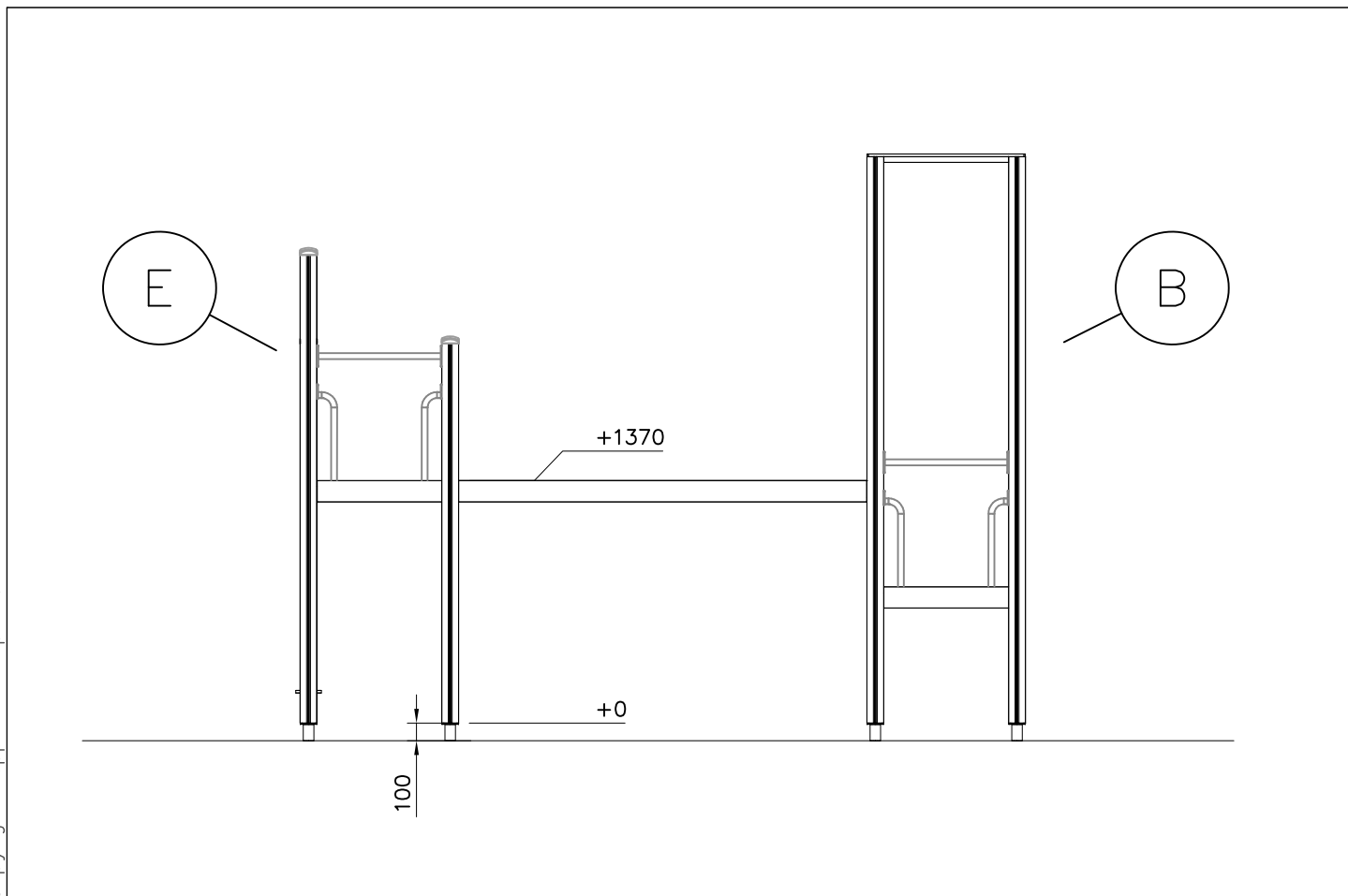
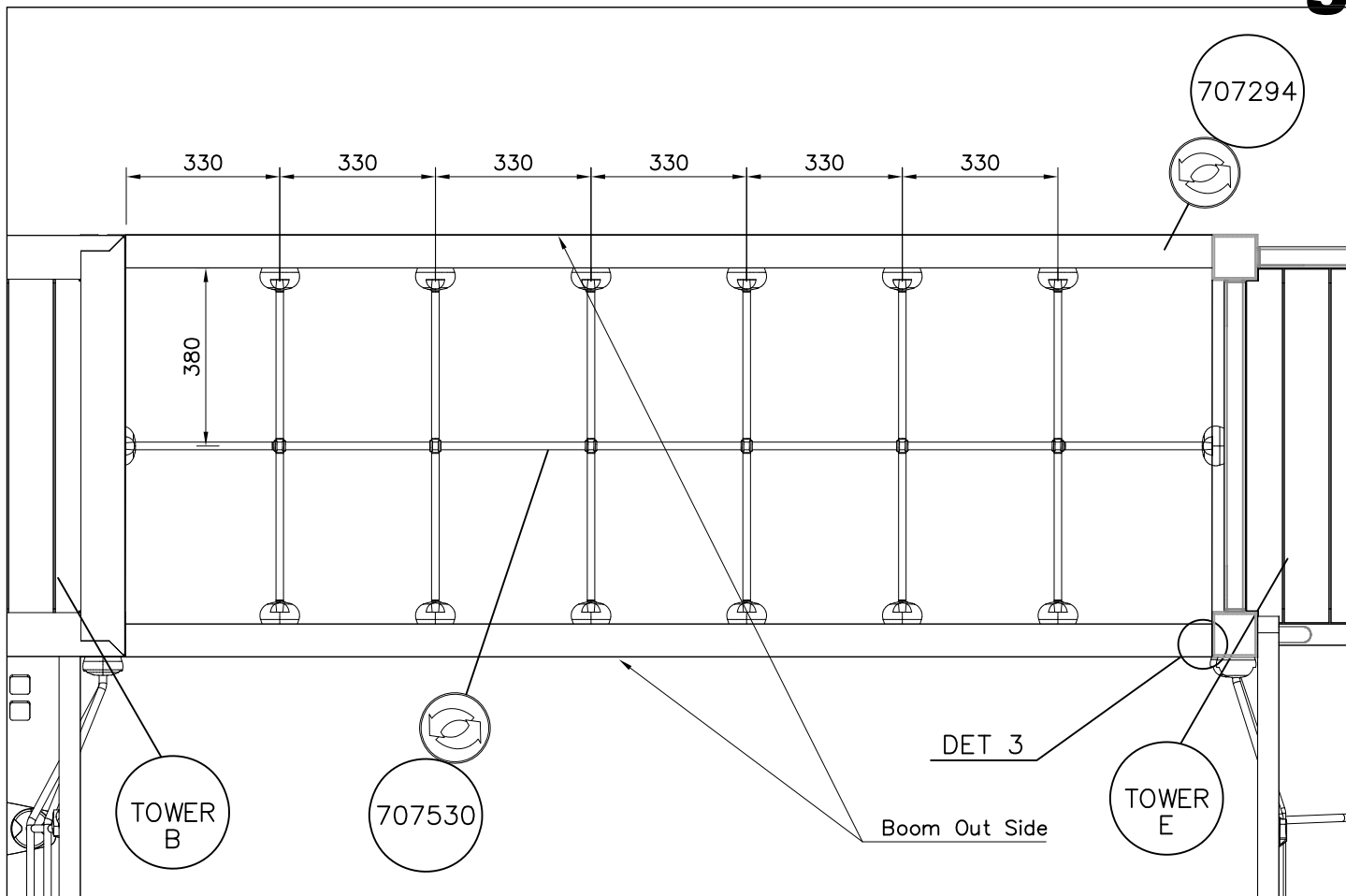




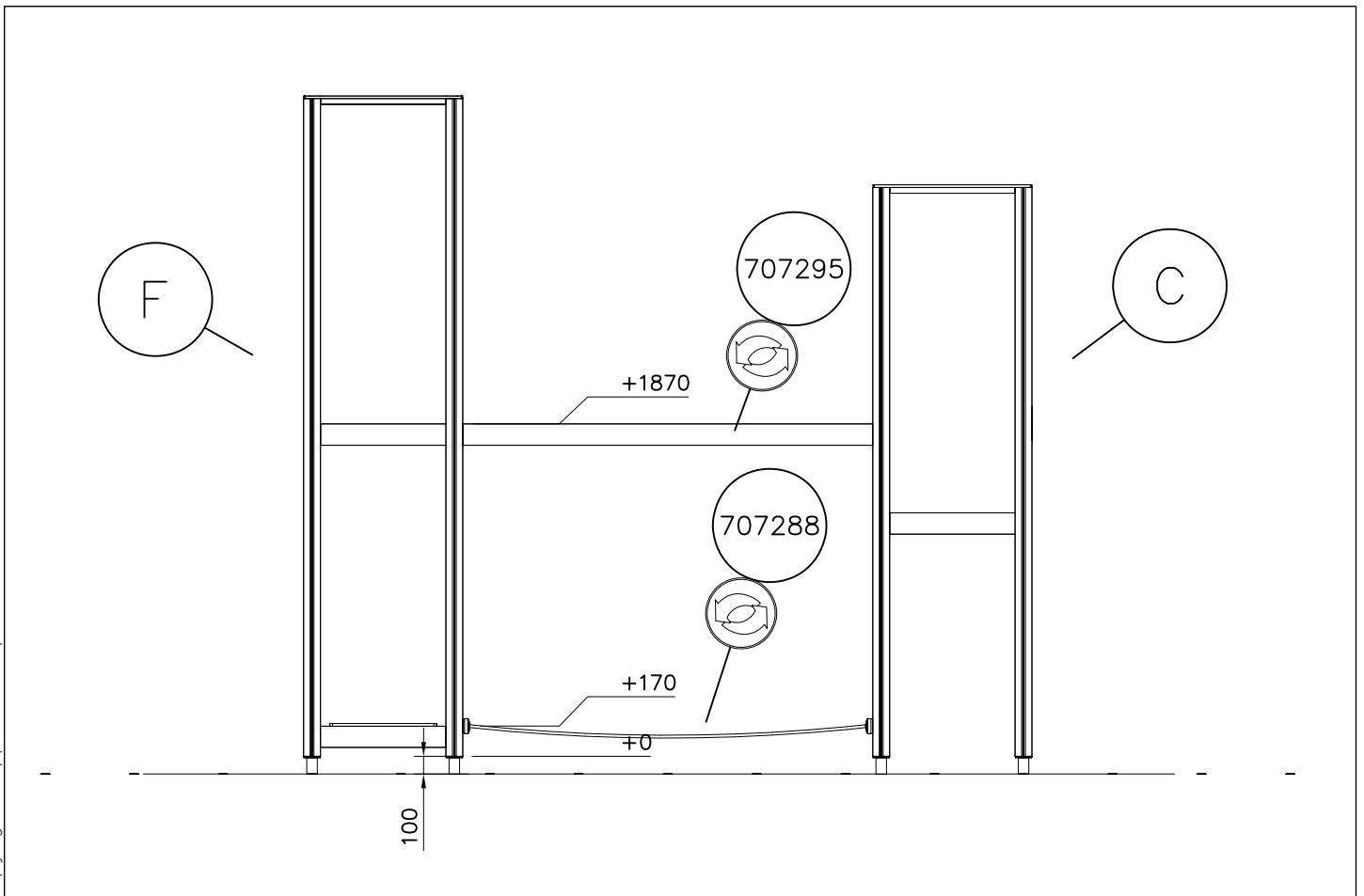
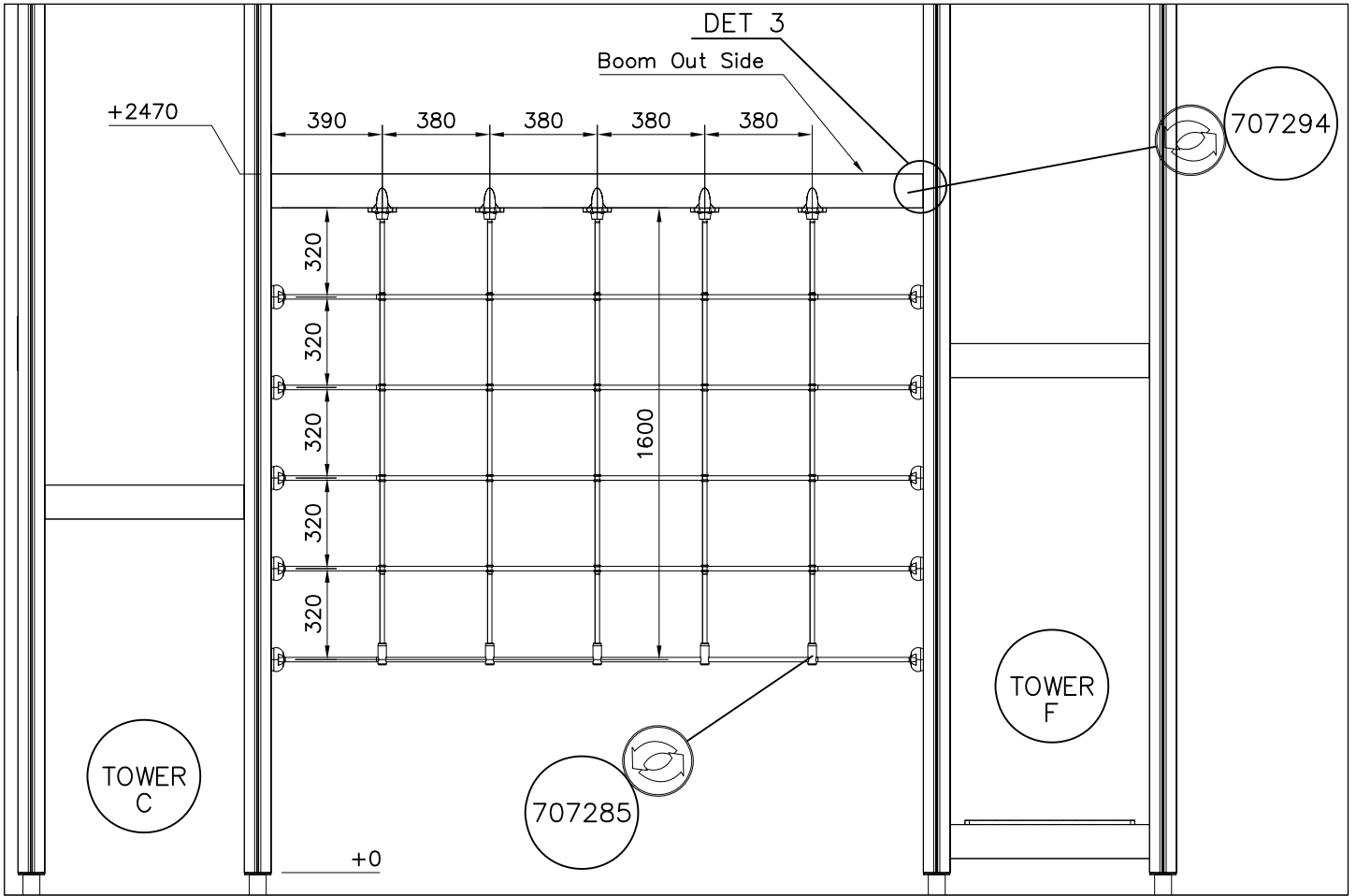


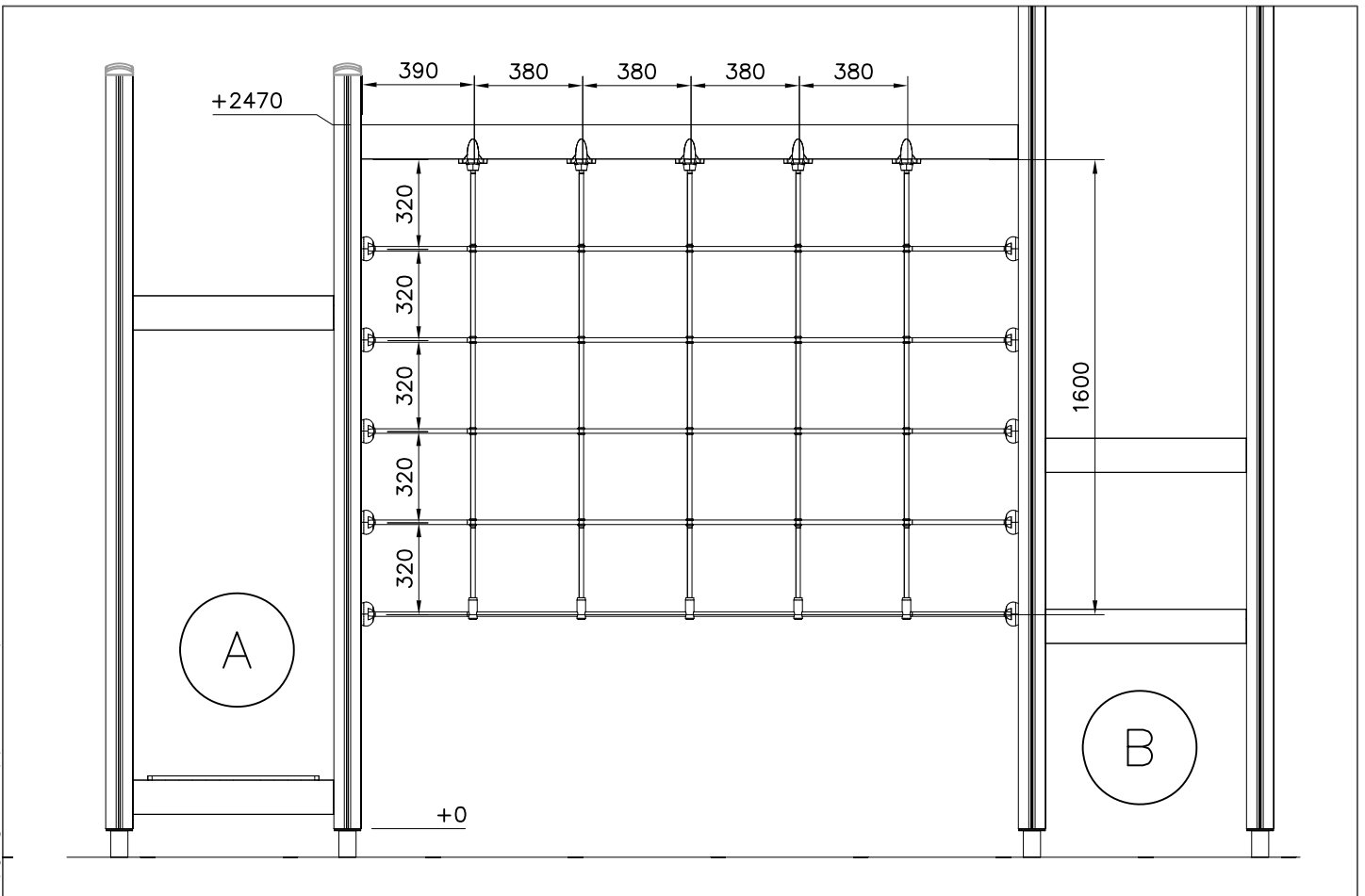
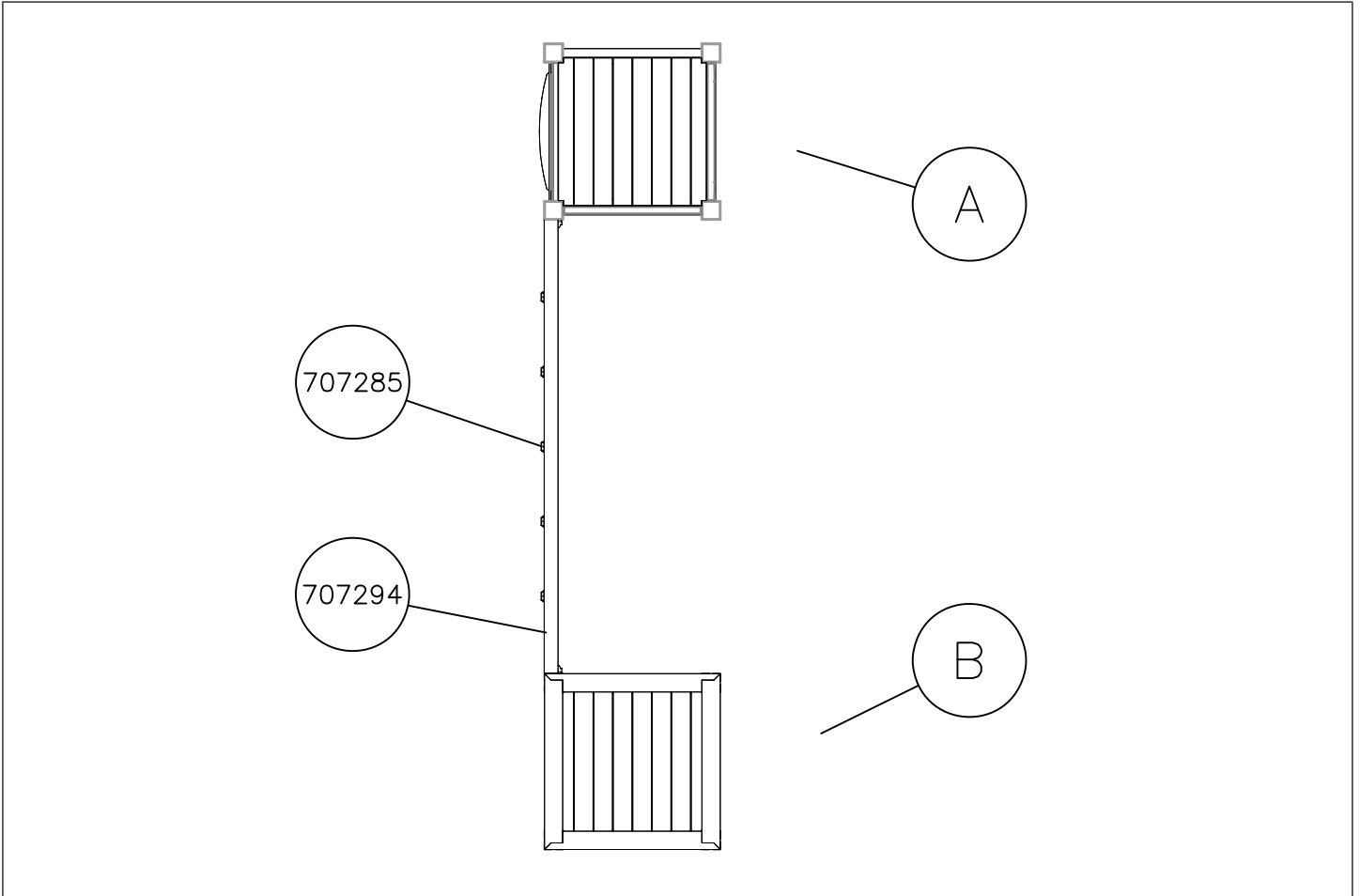
1:15



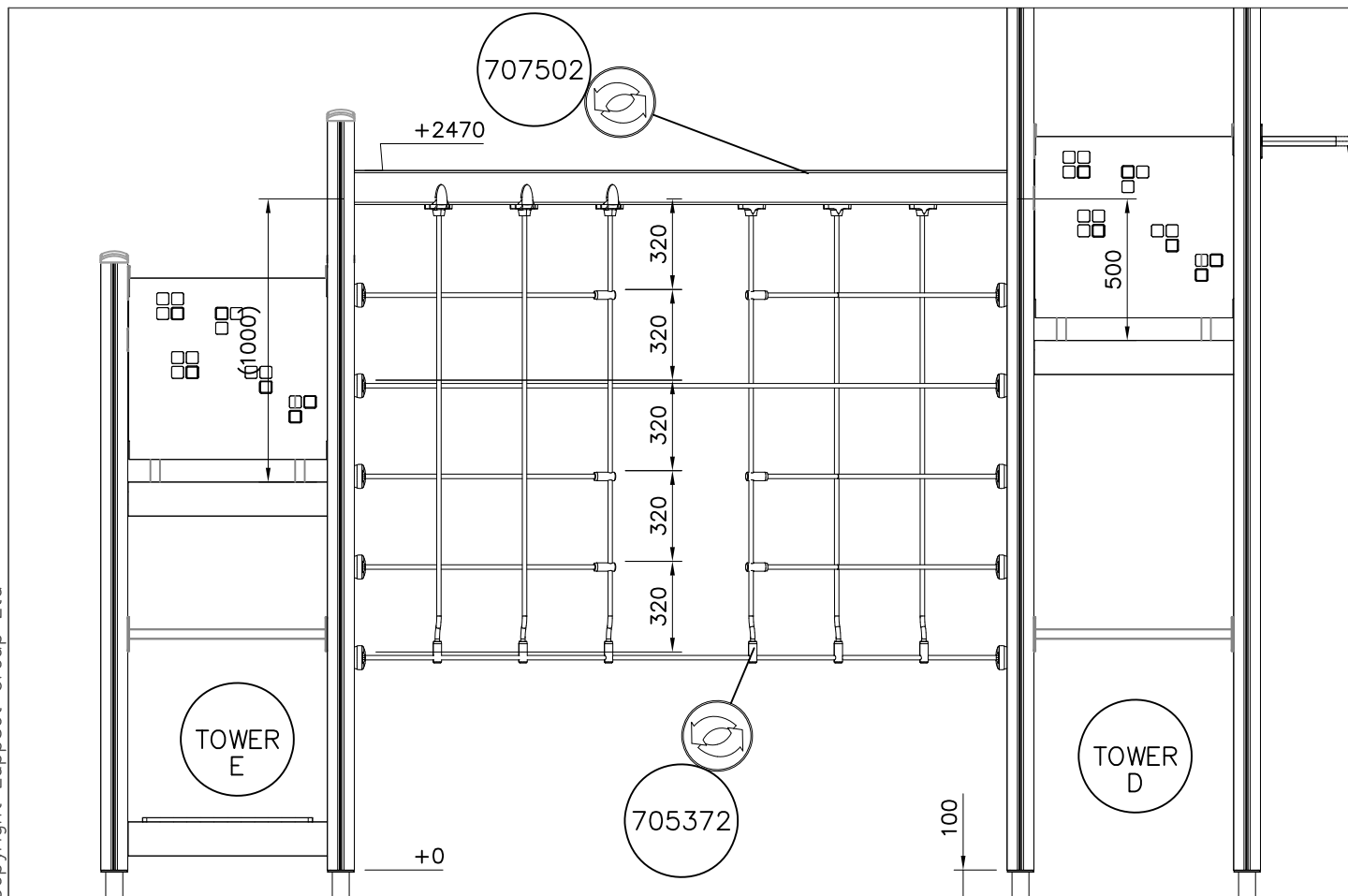
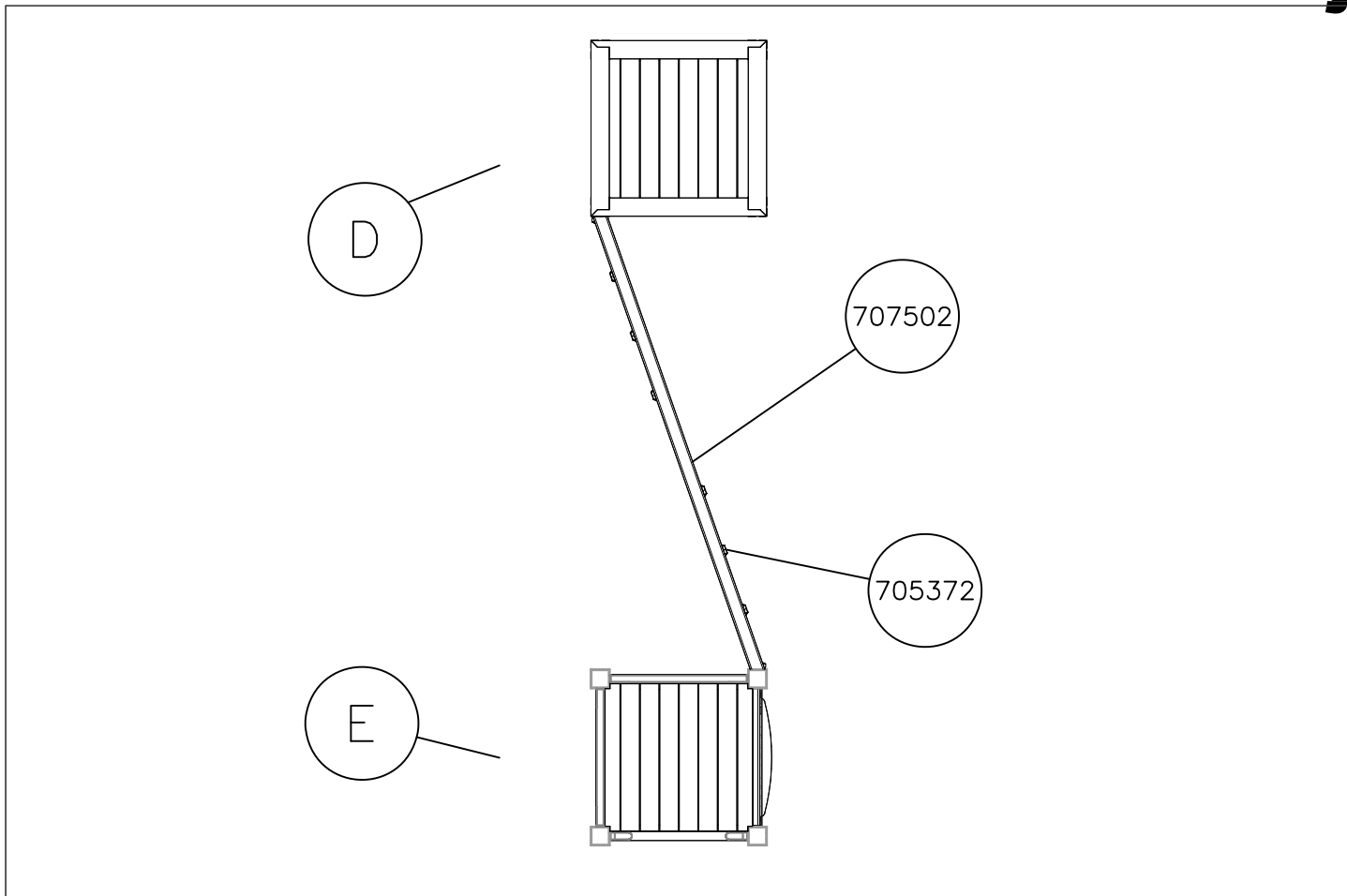


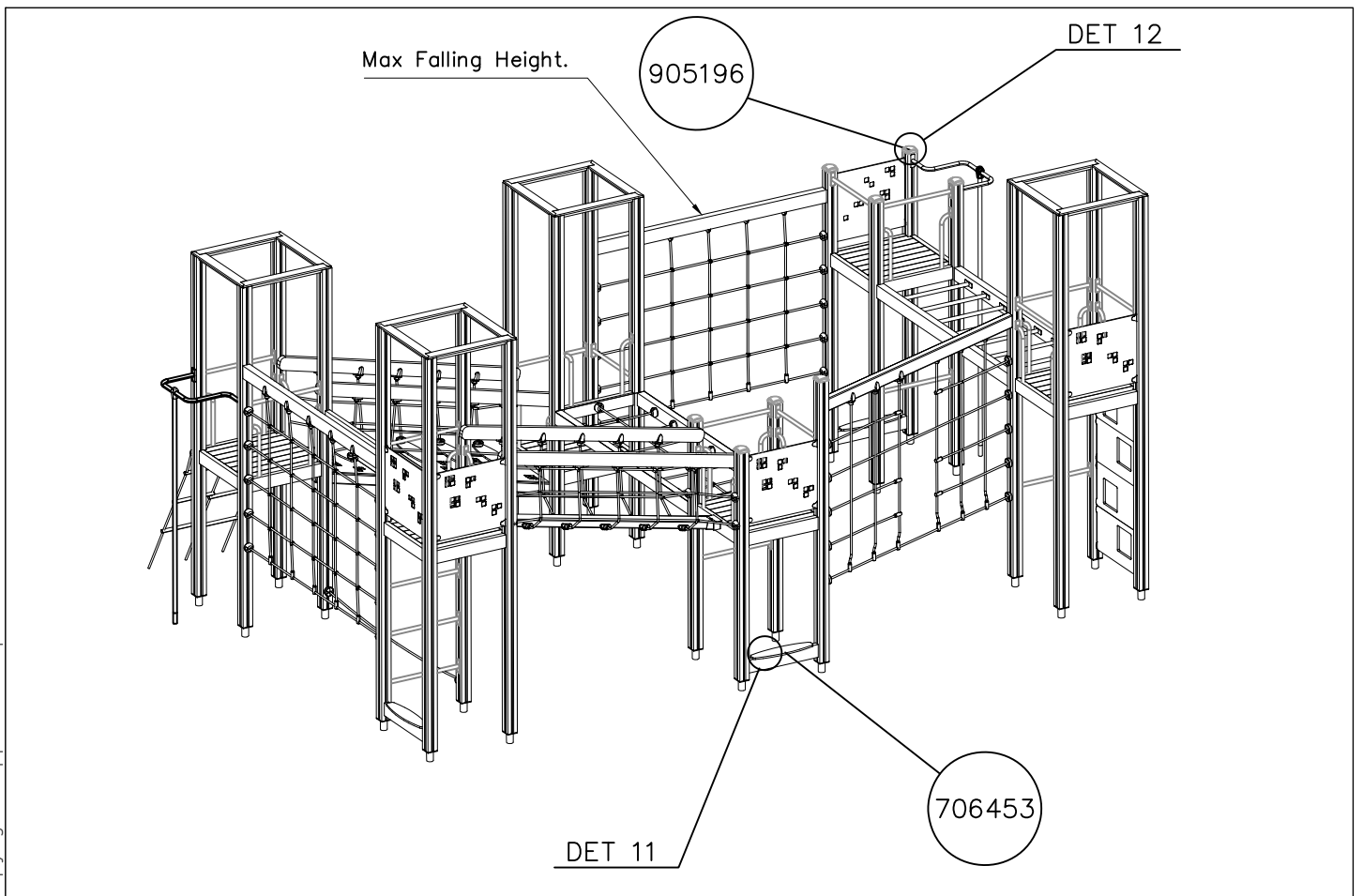
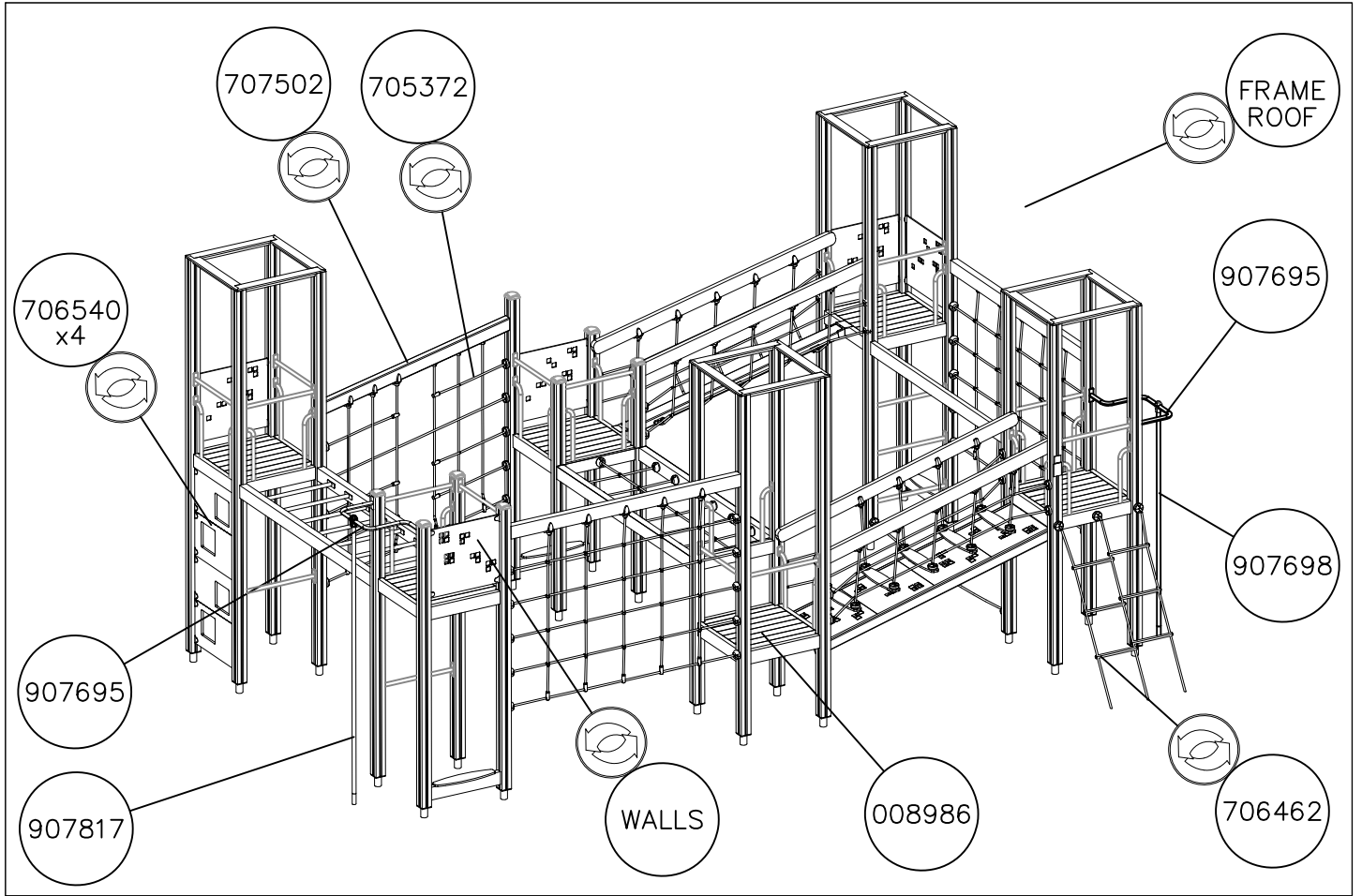


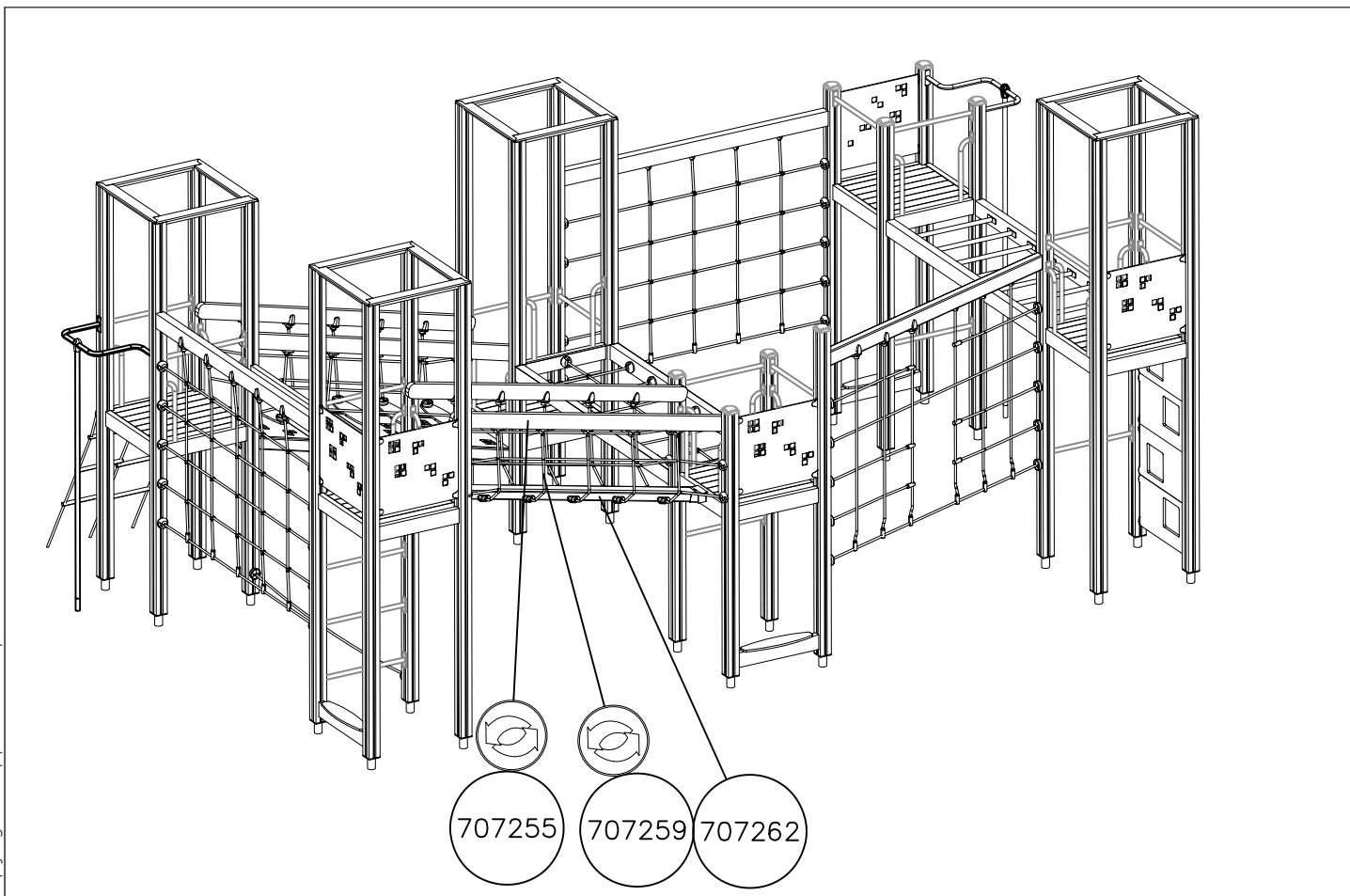
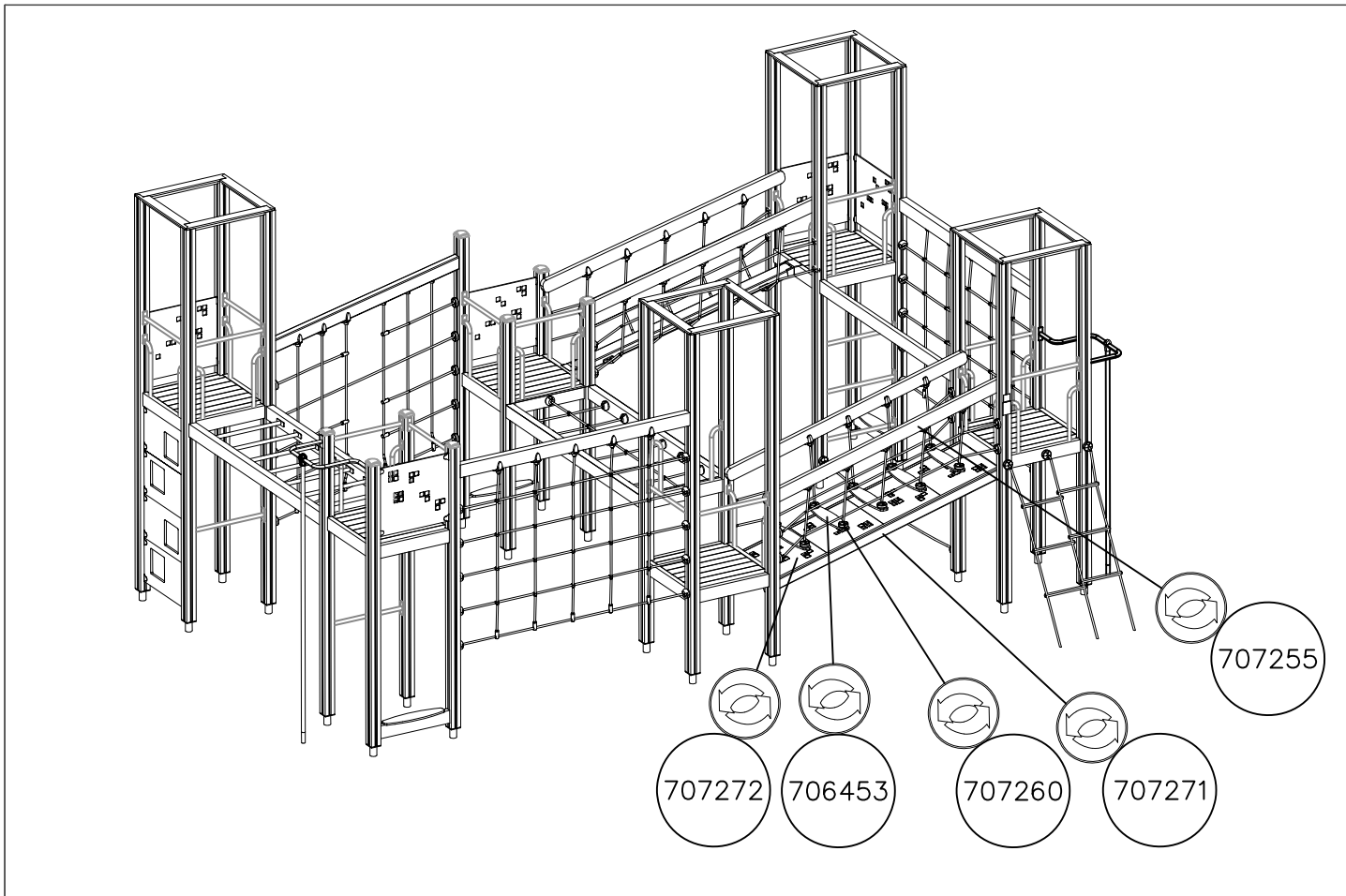




DATE: 10.6.2020







**LAPPSET®**  
**DEEP FOUNDATION**

**FOOT**

DATE: 13.3.2014

**4A**



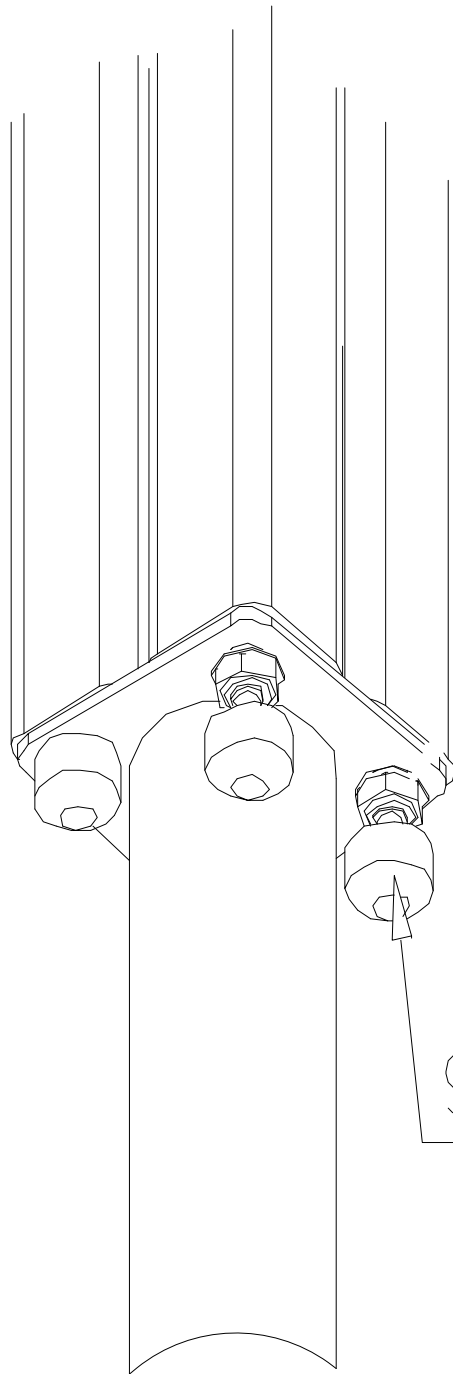
**LAPPSET®**  
**BETON FOUNDATION**

**FOOT**

DATE: 27.10.2015

**1(1)**

② 905104	PCS		PCS
	4		
 M10	PCS		PCS



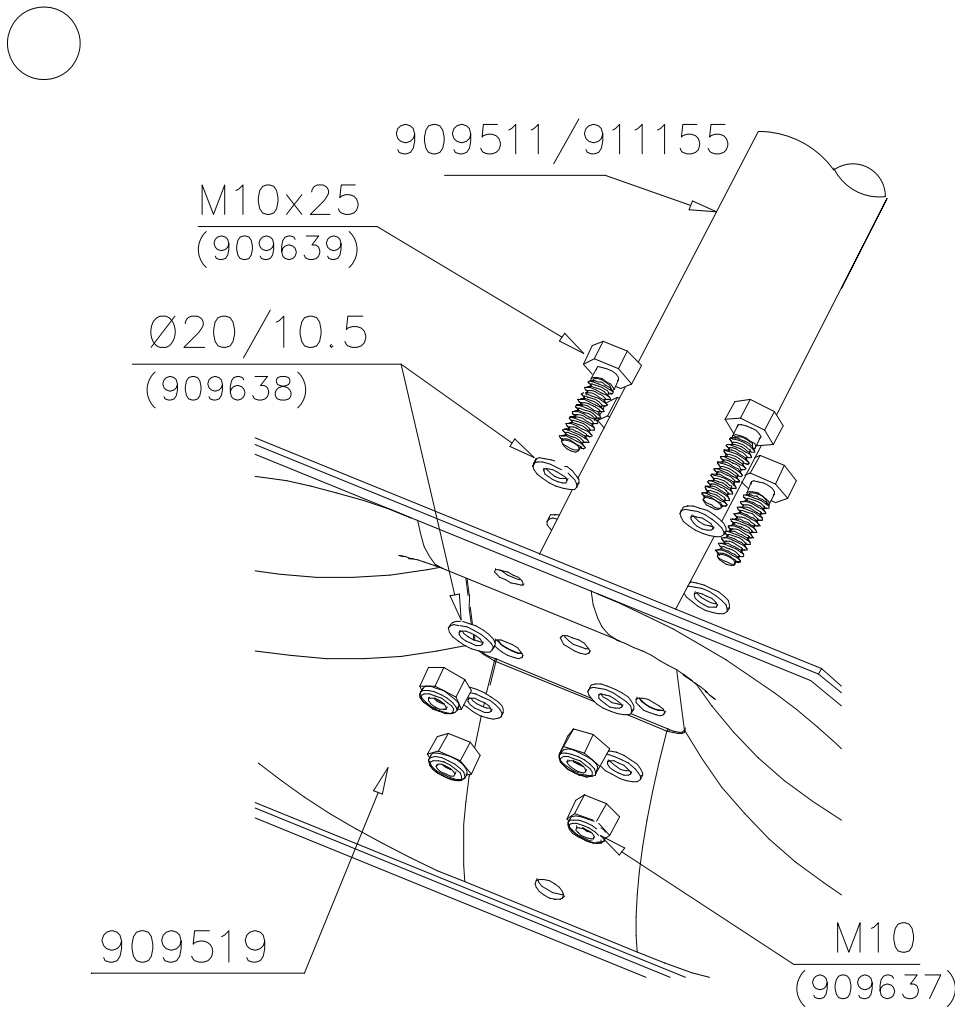
905104


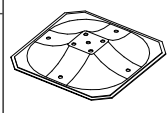
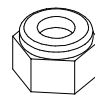
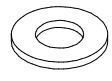
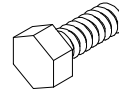
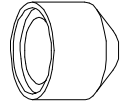
# LAPPSET® DEEP FOUNDATION

# FOOT


DATE: 15.5.2018

1(1)



① 909511	PCS	② 909519	PCS
	1		1
90x90x650		50x380x380	
③ 909637	PCS	④ 909638	PCS
	4		8
M10		Ø20/10.5	
⑤ 909639	PCS	⑥ 905104	PCS
	4		4
M10x25		M10	

OPTION FOOT

① 911155	PCS		PCS
	1		
90x90x650			





① 008986	PCS	② 706443	PCS
	1		2
750x750		32x45x702	
③ 900240	PCS	④ 980101	PCS
	6		8
Ø8x70		Ø4.5x70	
	PCS		PCS
	PCS		PCS
	PCS		PCS

DET 1

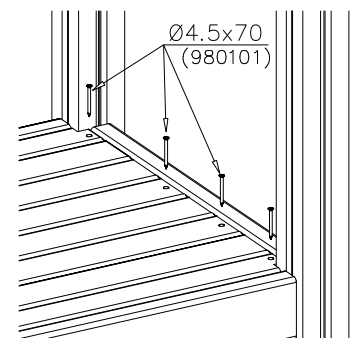


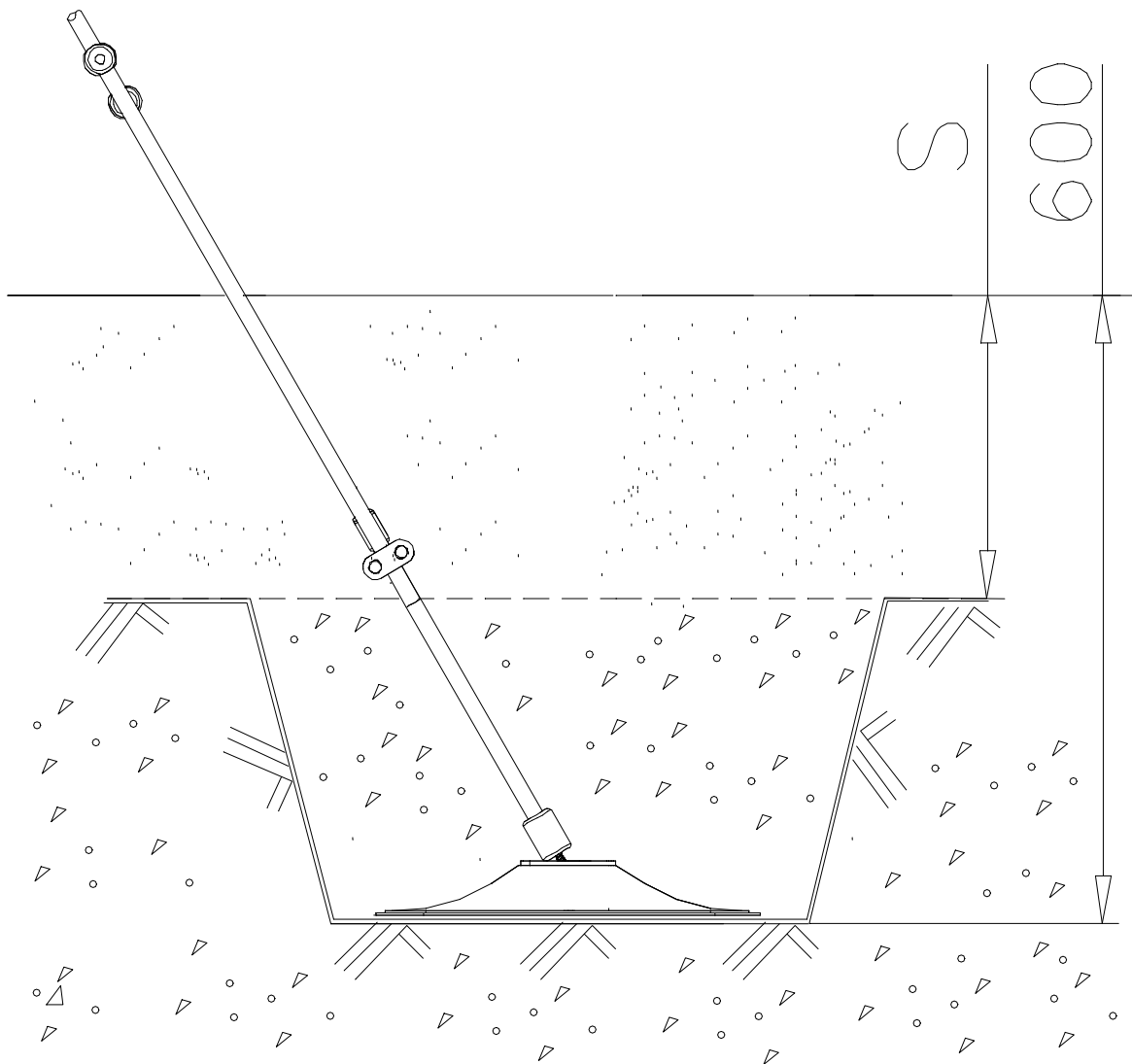
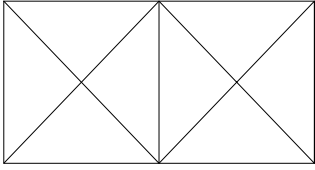
DET 2

Naulanauha kannatinlistan puolelle.  
Nail list to the bottom.



DET 3



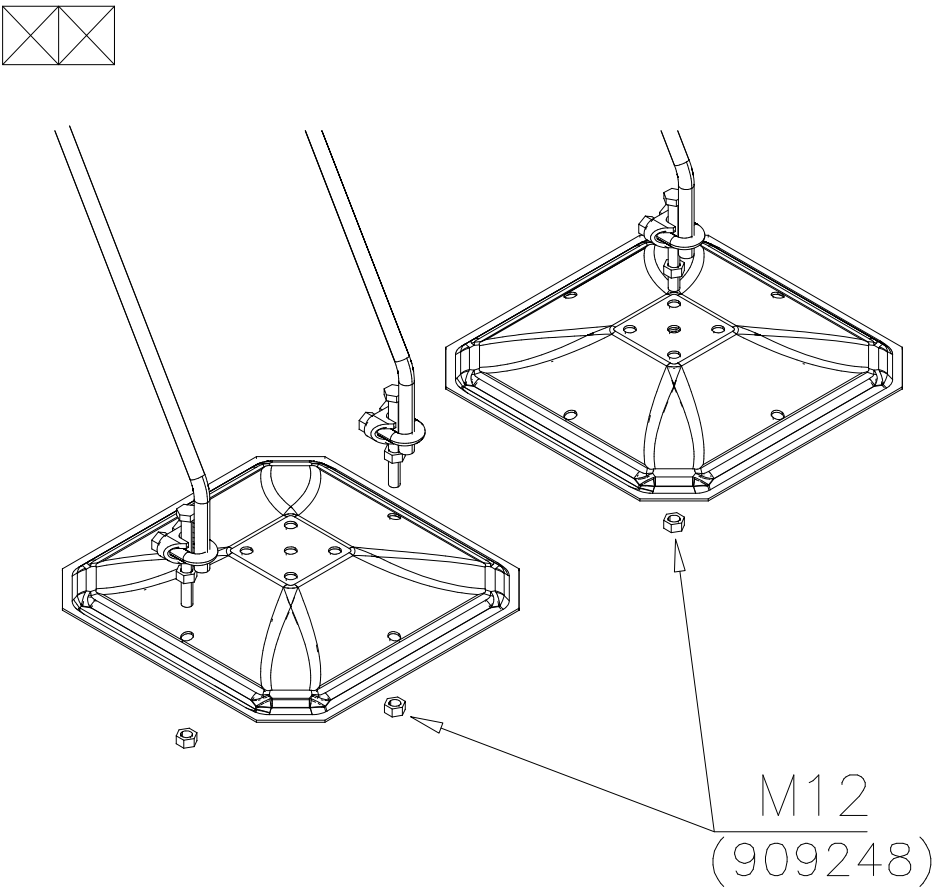


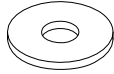
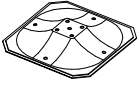
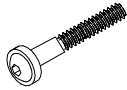


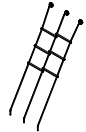
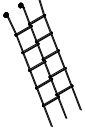
# LAPPSET® DEEP FOUNDATION

# ROPE LADDER

DATE: 30.6.2016

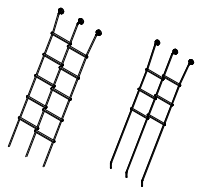
1(1)



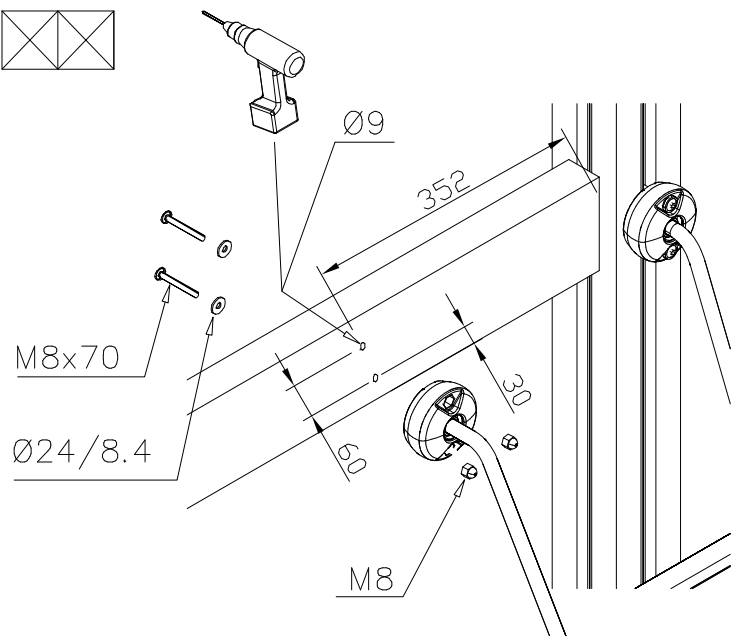
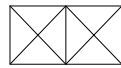
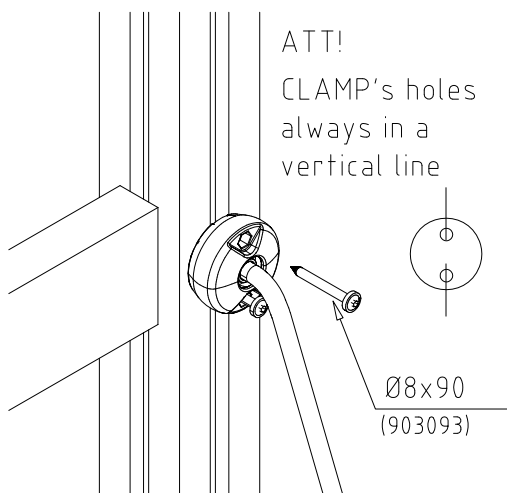
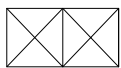
① 905051	PCS	② 909519	PCS
	2		2
Ø24/8.4		50x380x380	
③ 909867	PCS	④ 909633	PCS
	2		2
M8x70		M8	
⑤ 903093	PCS		PCS
	4		
Ø8x90			
○ 706462	PCS	○ 707393	PCS
	1		1
+1470		+1970	

M12  
(909248)

## ROPE LADDER COLOR OPTIONS

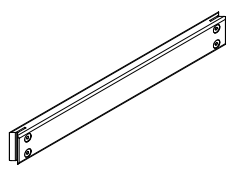


xxxxxx-301	BLUE
xxxxxx-302	RED
xxxxxx-303	BEIGE
xxxxxx-304	GRAY
xxxxxx-305	BLACK
xxxxxx-306	YELLOW







BOOM OPTIONS		
706510	706510-602	DARK BROWN
	706510-603	LIGHT BROWN
	706510-604	LIGHT GRAY
		
45x120x1030		

DET 1

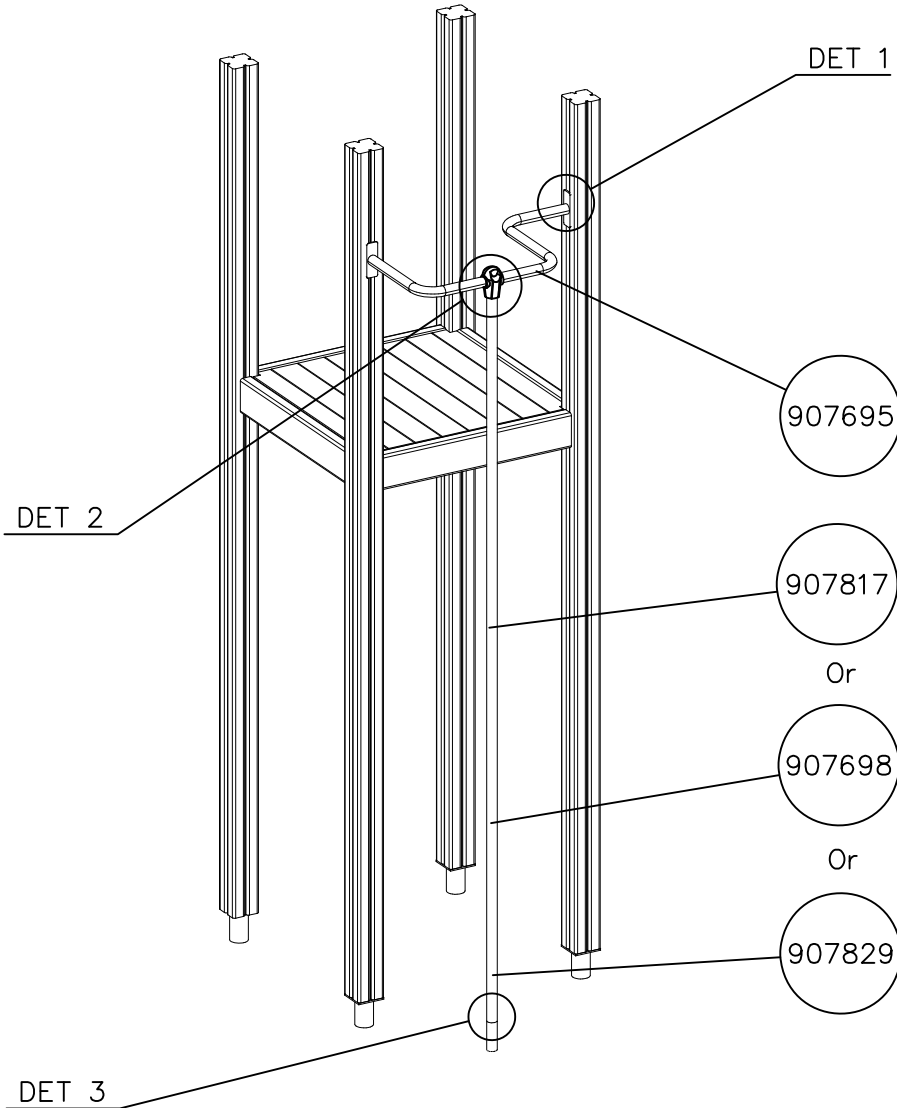


DET 2 M8x60  
(909866)



DET 3





① 900240	PCS	② 900342	PCS
	4		2
Ø8x70		M8x16	
③ 901900	PCS	④ 901939	PCS
	2		1
20.5x36.2x56		M12x70	
⑤ 909850	PCS	⑥ 980150	PCS
	1		1
M8x25		M8	
⑦ 901182	PCS	⑧ 901902	PCS
	1		2
Ø11/M8x40		30.7x60.9x100	
	PCS		PCS
	PCS		PCS
○ 907829	PCS	○ 907698	PCS
	1		1
Ø33,7x1454		Ø33,7x2054	
○ 907817	PCS	○ 907695	PCS
	1		1
Ø33,7x2554			



DET 1



DET 2



DET 3



DET 4





# LAPPSET® DEEP FOUNDATION

# POLE

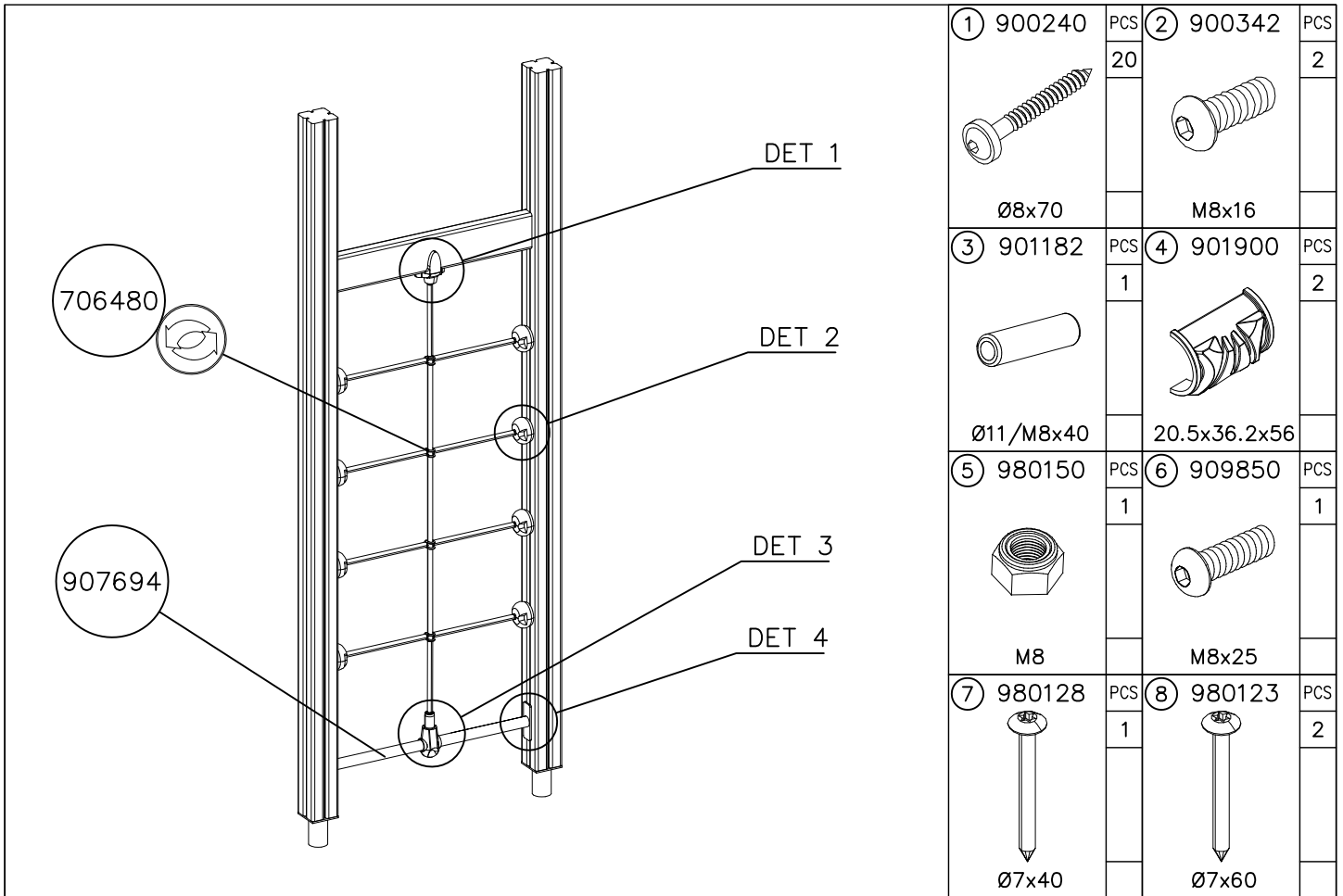
DATE: 15.5.2014

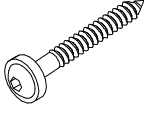
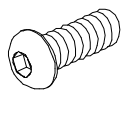
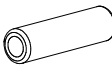

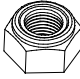
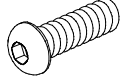


**1(1)**

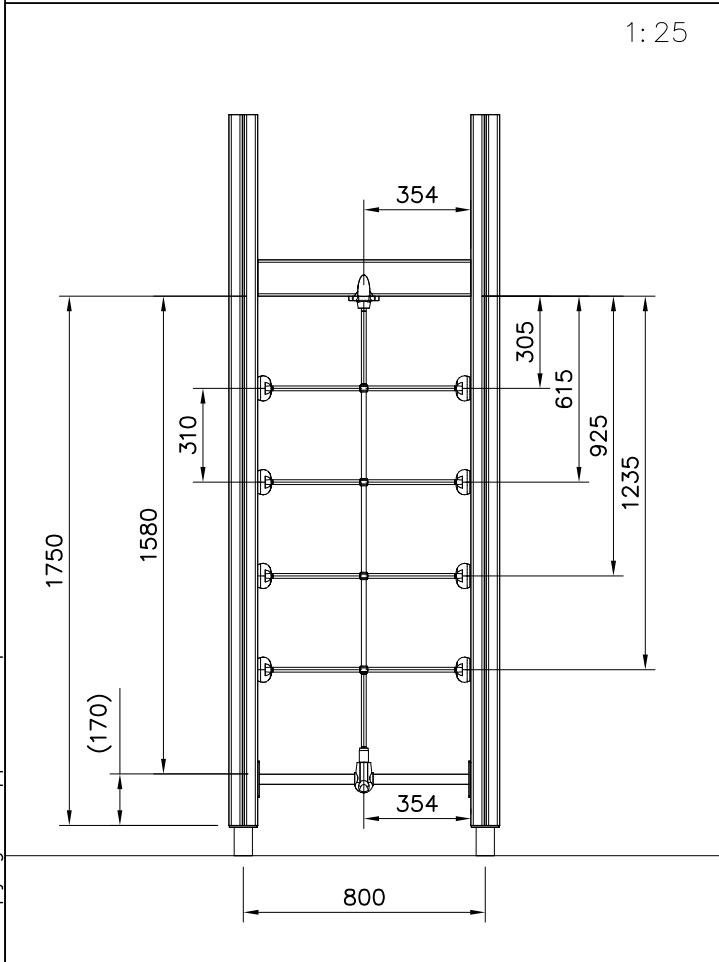


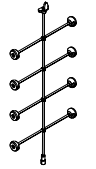
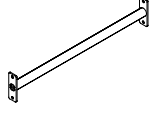

①	905086	PCS	②	909214	PCS
		1			1
	Ø44/13.5		M12x50		
		PCS			PCS
		PCS			PCS
		PCS			PCS
		PCS			PCS
		PCS			PCS
		PCS			PCS
		PCS			PCS





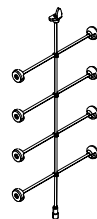
① 900240  Ø8x70	PCS 20	② 900342  M8x16	PCS 2
③ 901182  Ø11/M8x40	PCS 1	④ 901900  20.5x36.2x56	PCS 2
⑤ 980150  M8	PCS 1	⑥ 909850  M8x25	PCS 1
⑦ 980128  Ø7x40	PCS 1	⑧ 980123  Ø7x60	PCS 2



○ 706480  1580x705	PCS 1	○ 907694  L 704	PCS 1
○ 901902  30.7x60.9x100	PCS 2		PCS

### NET OPTIONS

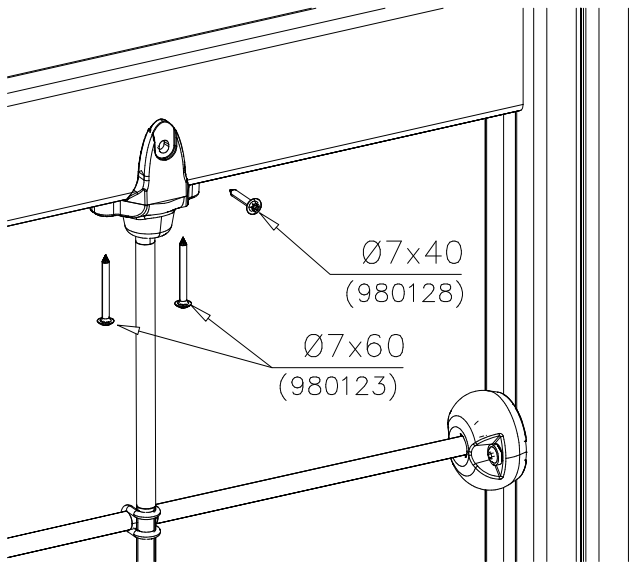
706480



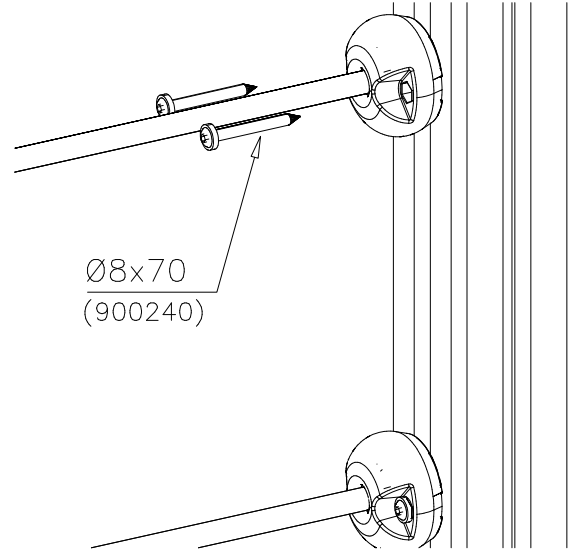
1580x705

- 706480-301 BLUE
- 706480-302 RED
- 706480-303 BEIGE
- 706480-304 GRAY
- 706480-305 BLACK
- 706480-306 YELLOW

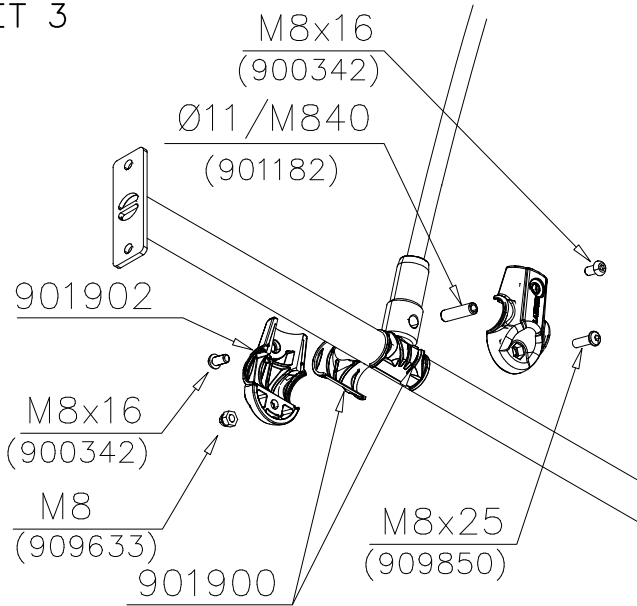
DET 1



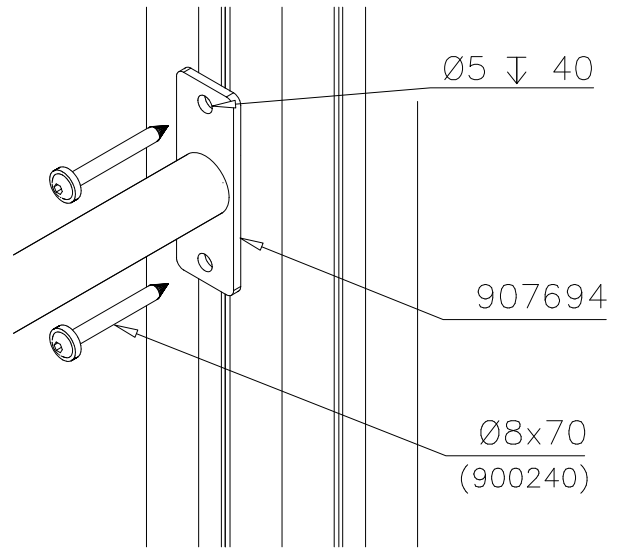
DET 2

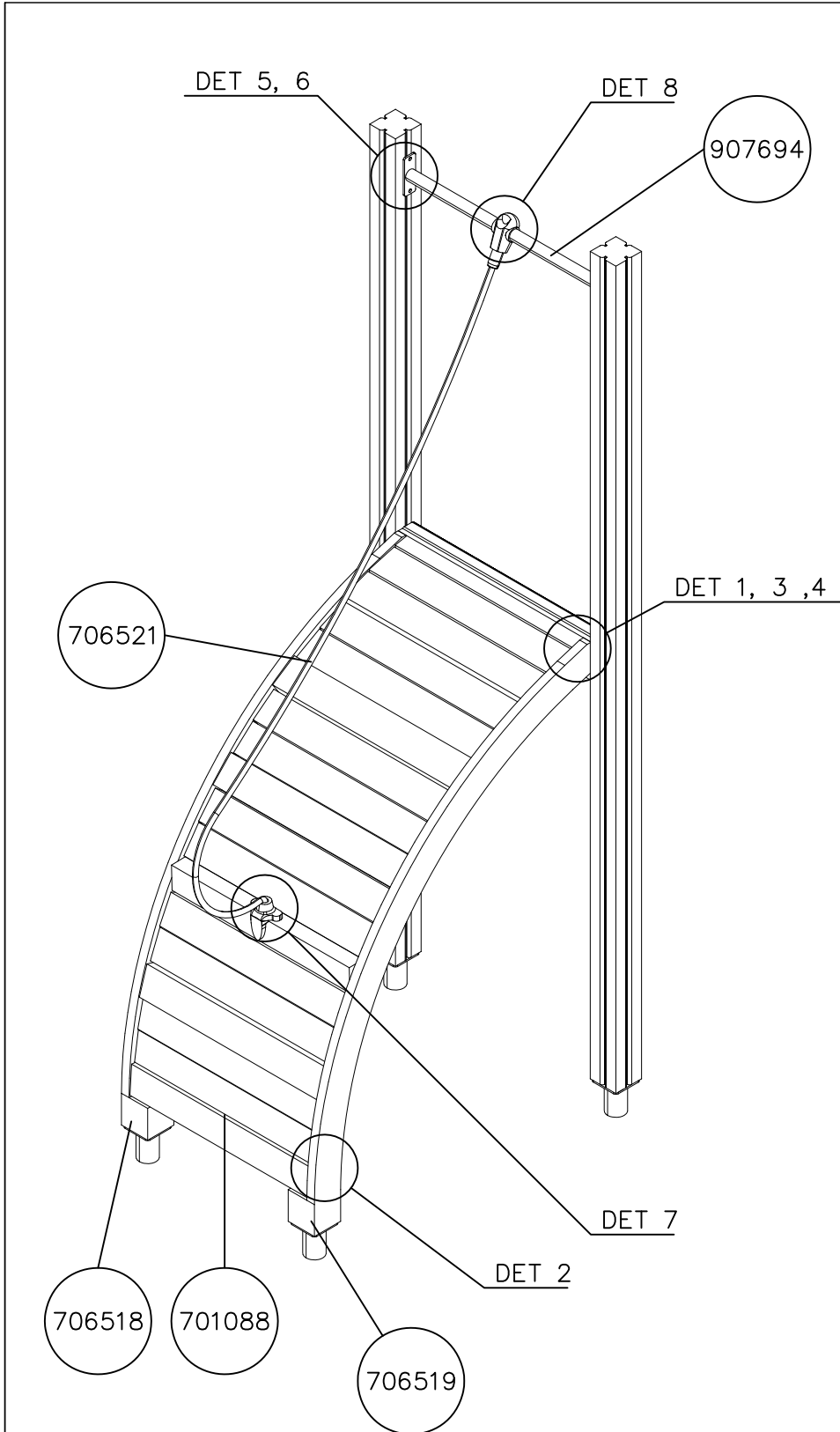


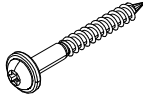
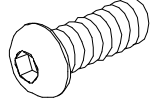
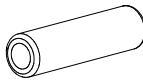
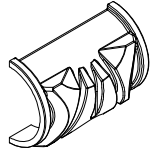

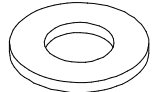
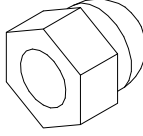
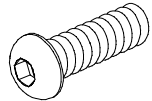
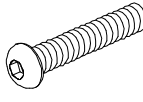
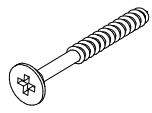


DET 3

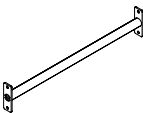
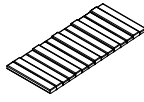
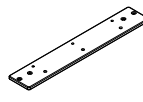





DET 4





① 900240	PCS	② 900342	PCS
	12		2
Ø8x70		M8x16	
③ 901182	PCS	④ 901900	PCS
	1		2
Ø11/M8x40		20.5x36.2x56	
⑤ 901902	PCS	⑥ 909256	PCS
	2		4
30.7x60.9x100		Ø16/8.4x1.6	
⑦ 909633	PCS	⑧ 909850	PCS
	1		1
M8		M8x25	
⑨ 909855	PCS	⑩ 980107	PCS
	4		3
M8x35		Ø6x60	
⑪ 980123	PCS	⑫ 980128	PCS
	2		4
Ø7x60		Ø7x40	

○ 907694	PCS	○ 701088	PCS	○ 701092	PCS	○ 706521	PCS	○ 706518	PCS	○ 706519	PCS
	1		1		1		1		1		1
L 704		45x645x1670		15x120x700		L 2120		95x1005x1365		95x1005x1365	

ROPE OPTIONS

706521

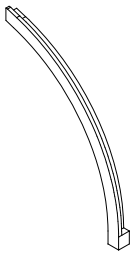


706521-301 BLUE  
706521-302 RED  
706521-303 BEIGE

706521-304 GRAY  
706521-305 BLACK  
706521-306 YELLOW

LEFT ARCH OPTIONS

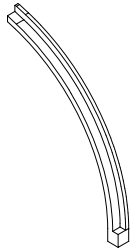
706518



706518-602 DARK BROWN  
706518-603 LIGHT BROWN  
706518-604 LIGHT GRAY

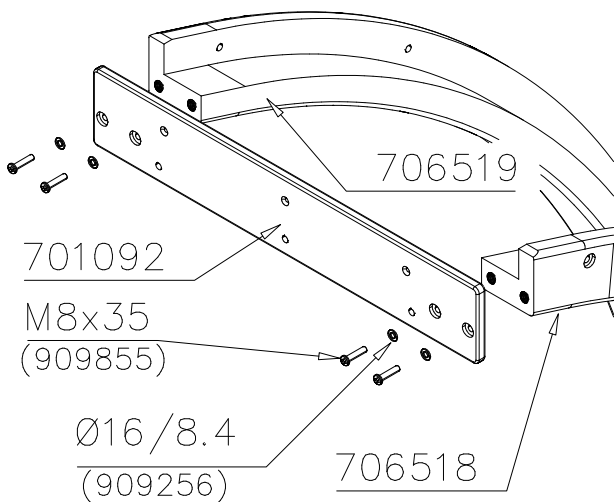
RIGHT ARCH OPTIONS

706519

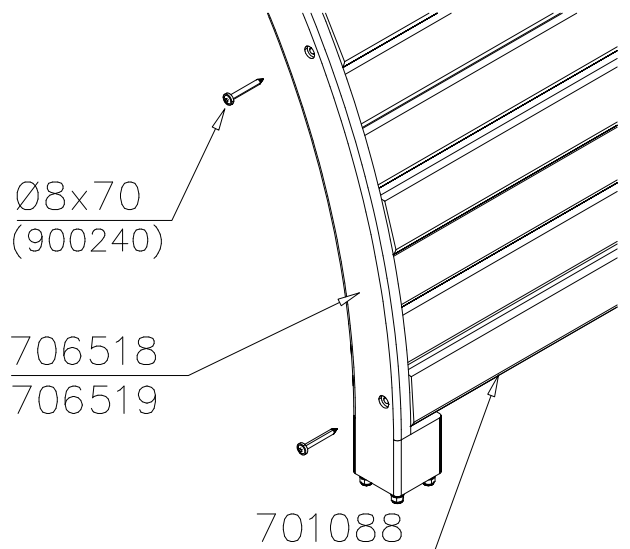


706519-602 DARK BROWN  
706519-603 LIGHT BROWN  
706519-604 LIGHT GRAY

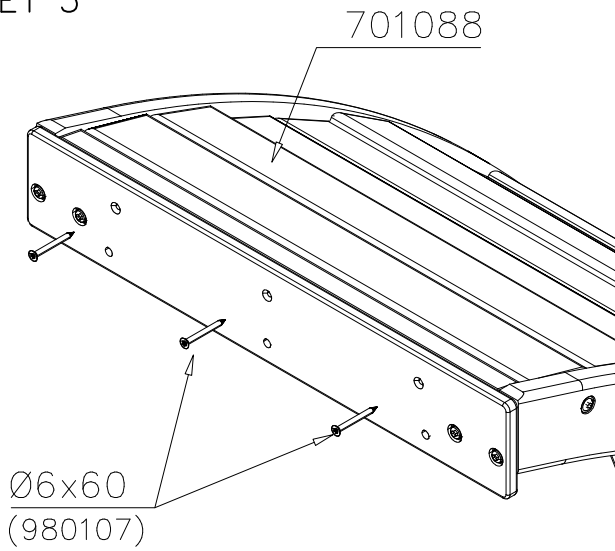
DET 1



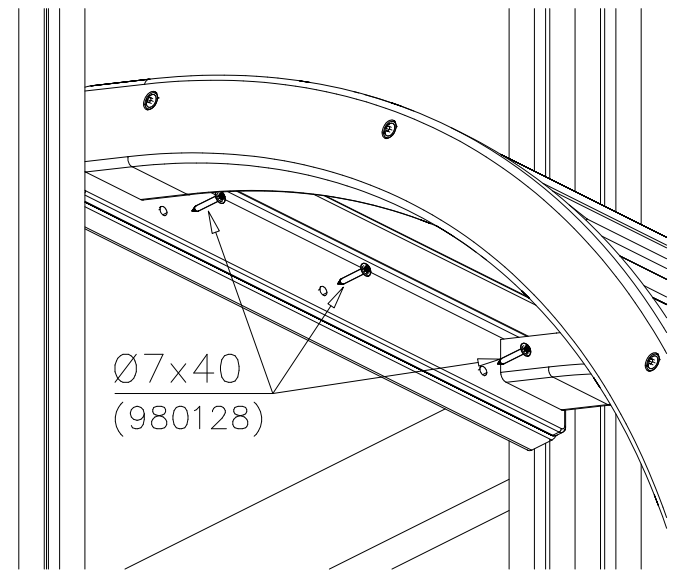
DET 2



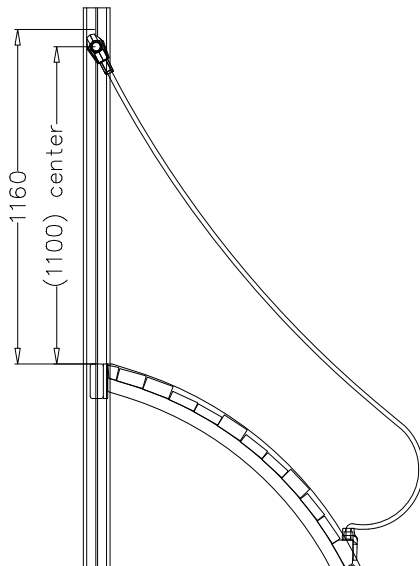
DET 3



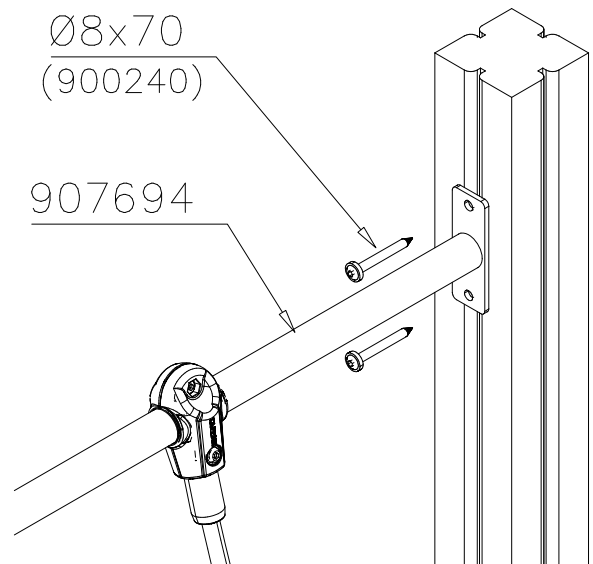
DET 4



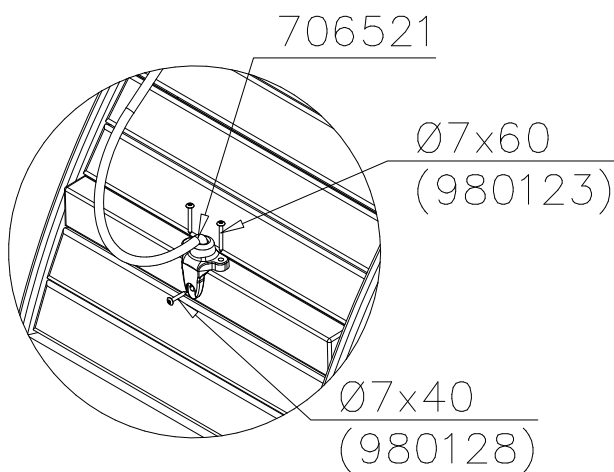
DET 5



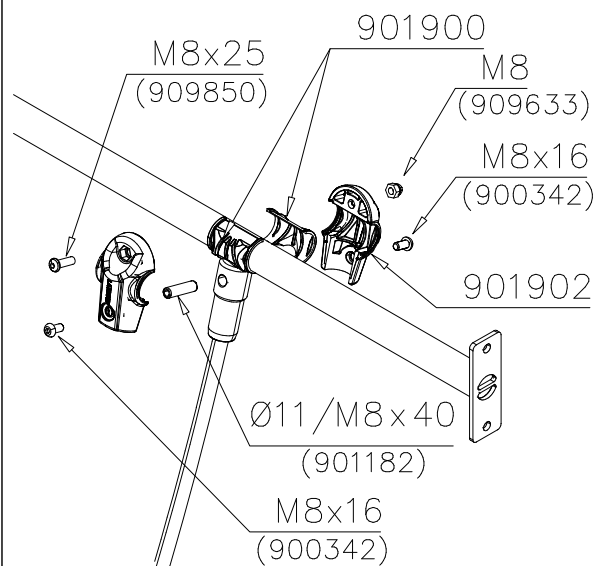
DET 6

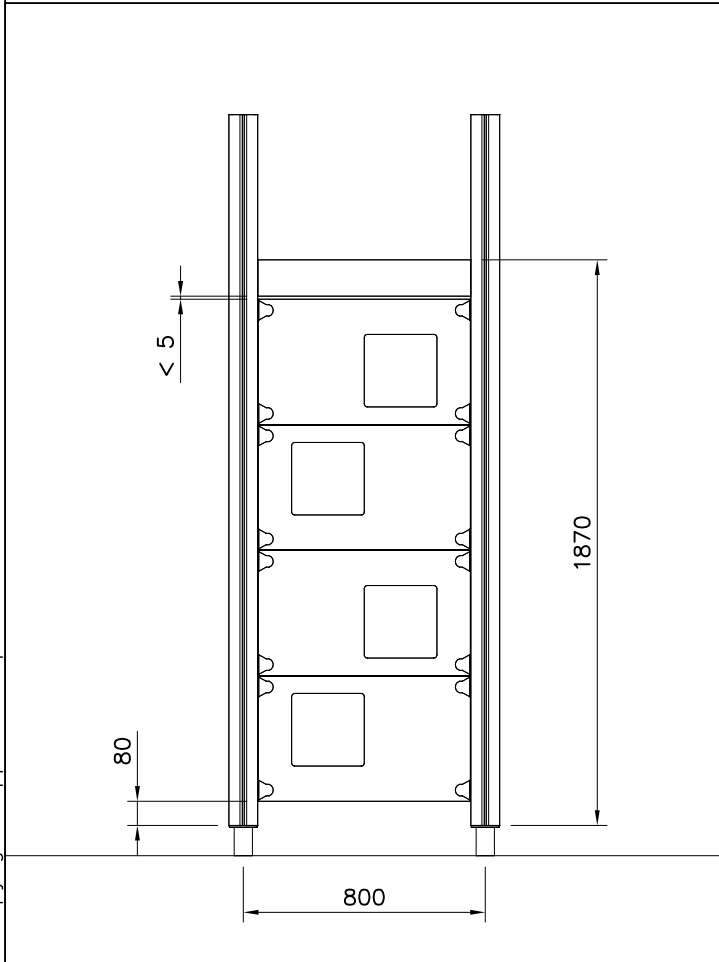
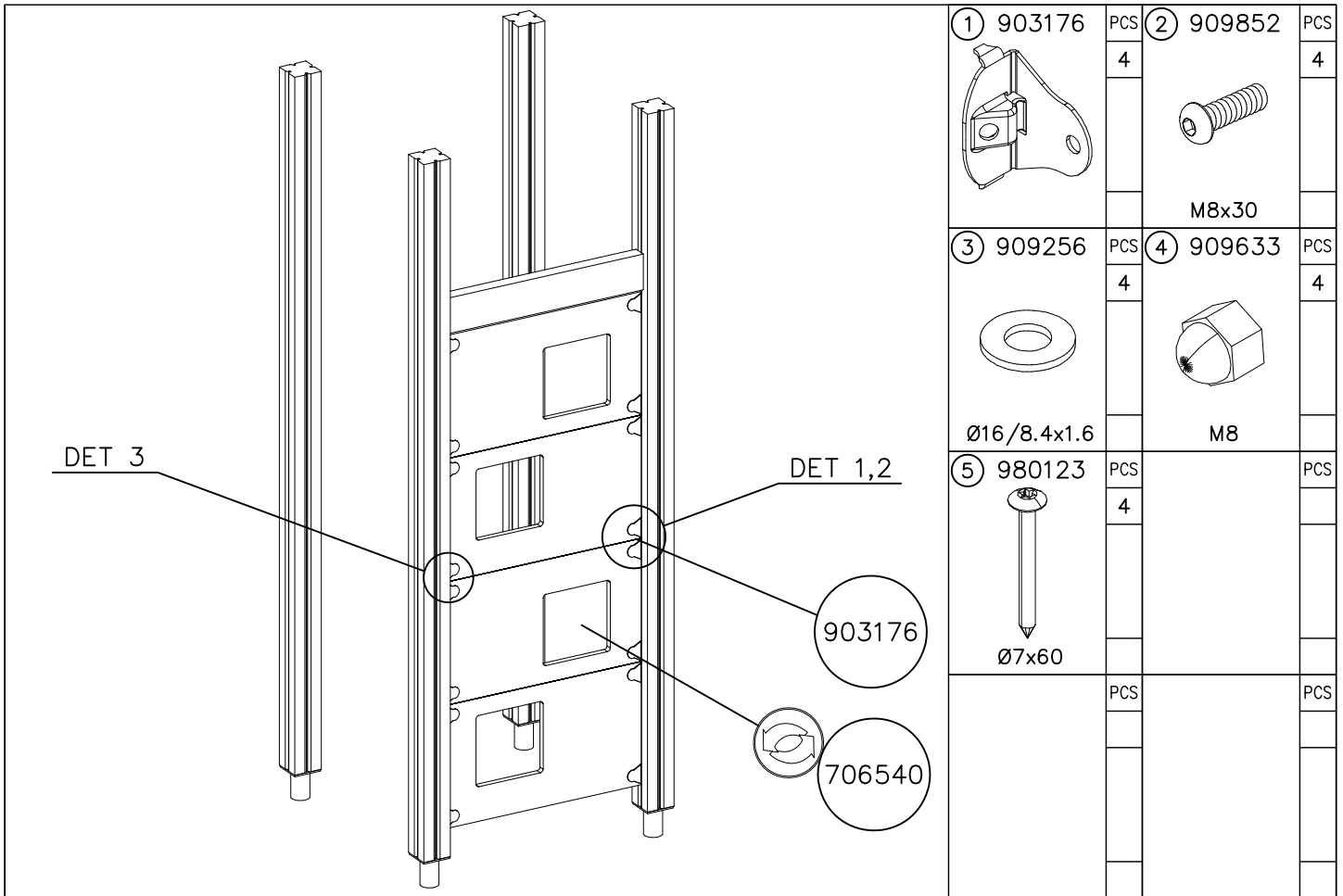


DET 7



DET 8

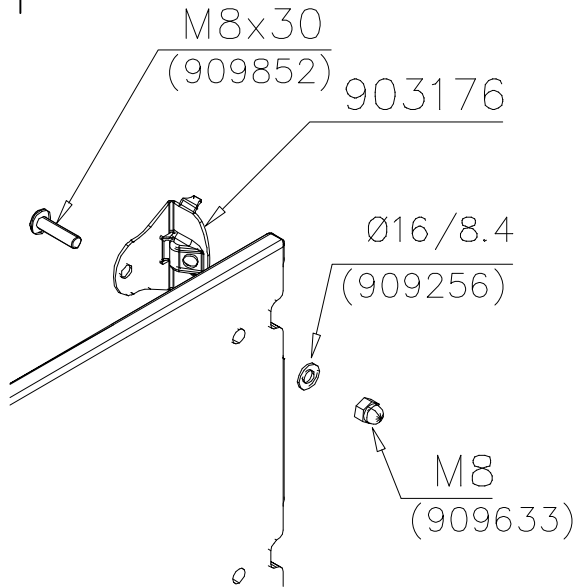




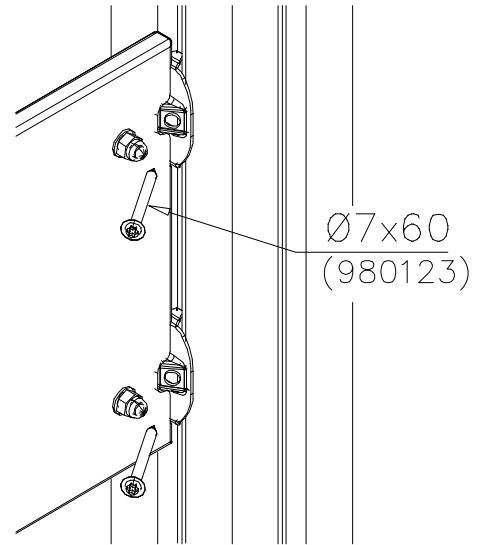
WALL OPTIONS		
706540	706540-701	BLUE
	706540-702	YELLOW
	706540-703	LIME
	706540-704	DARK GRAY
	706540-705	LIGHT GRAY
	706540-706	RED
	706540-707	GREEN
	706540-708	FUXIA
20x702x415		



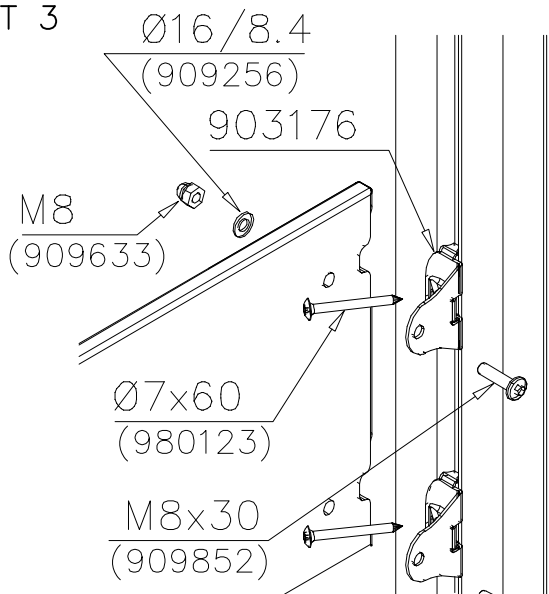
DET 1

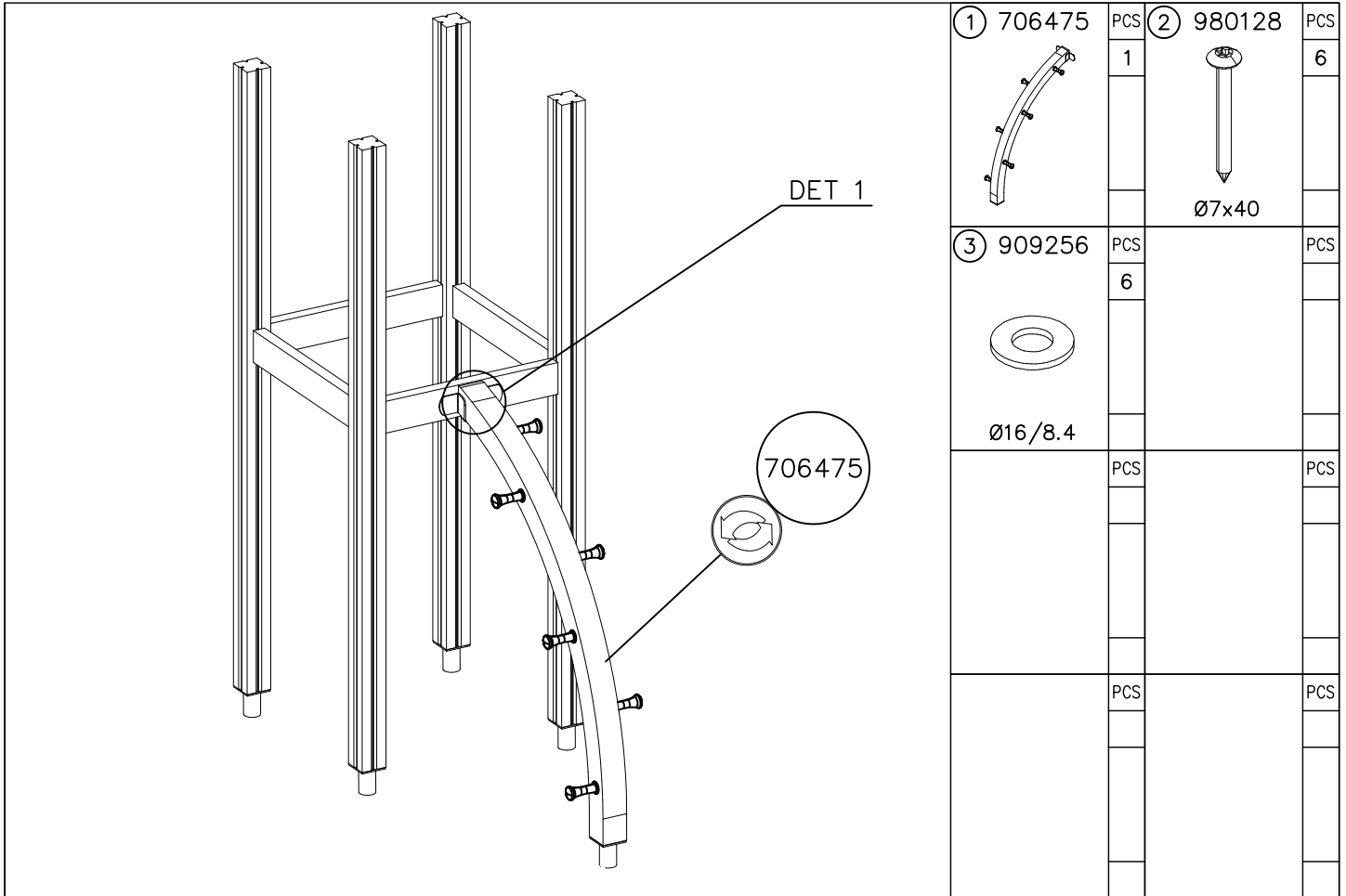


DET 2

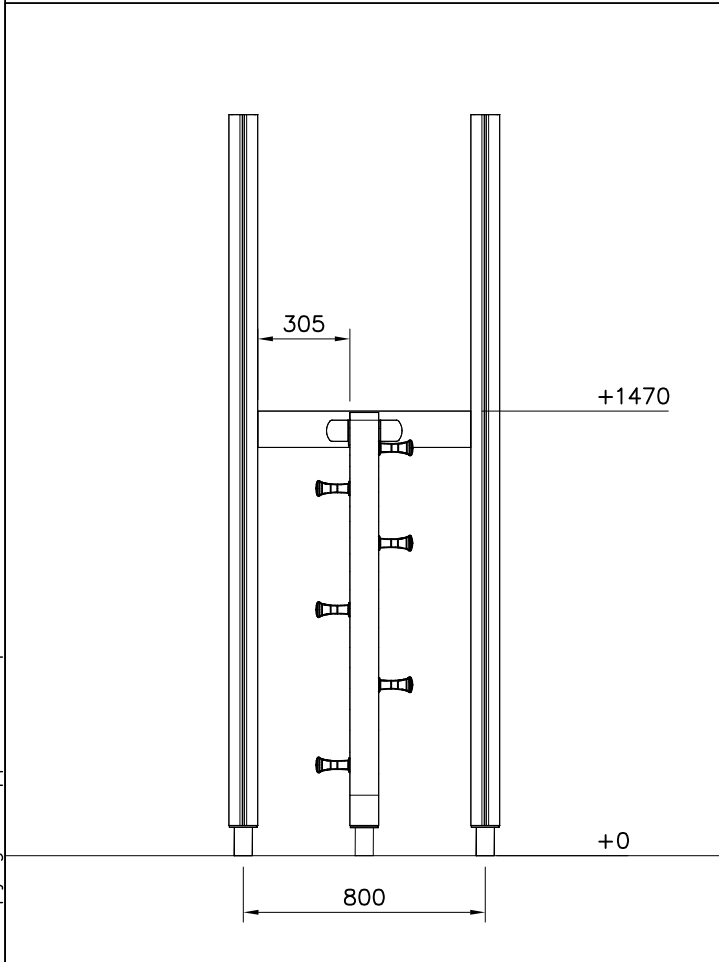


DET 3

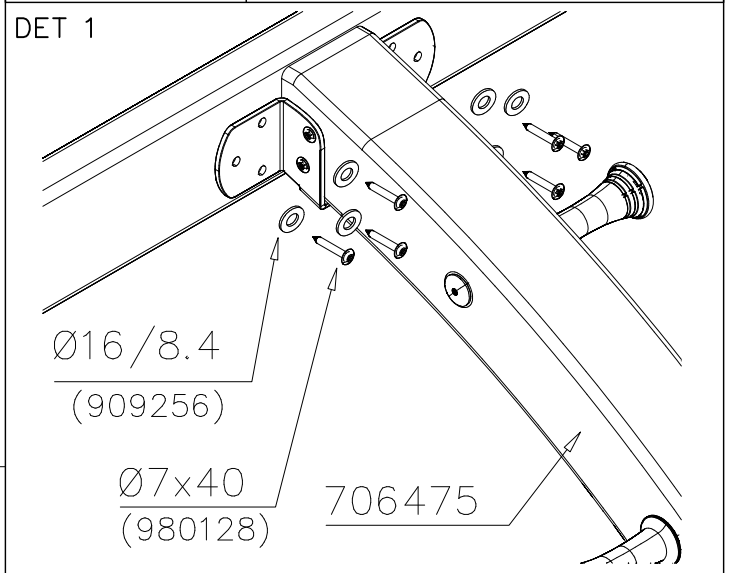


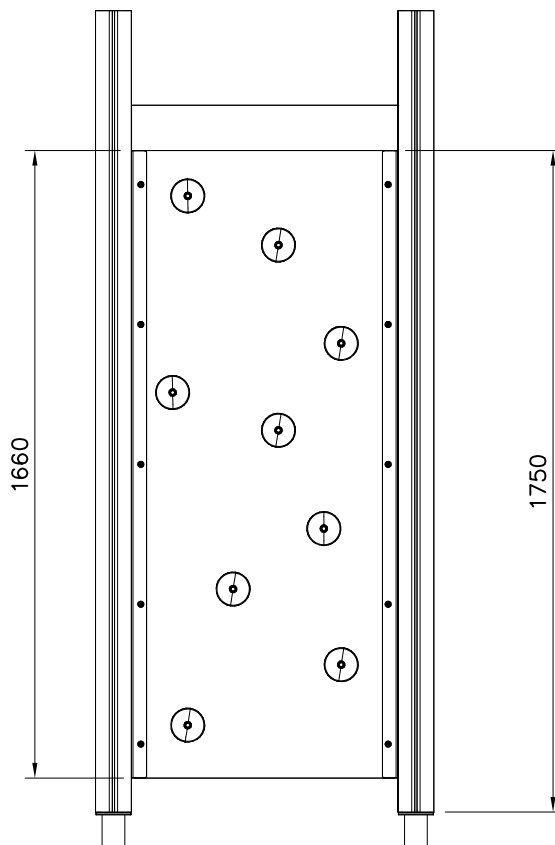
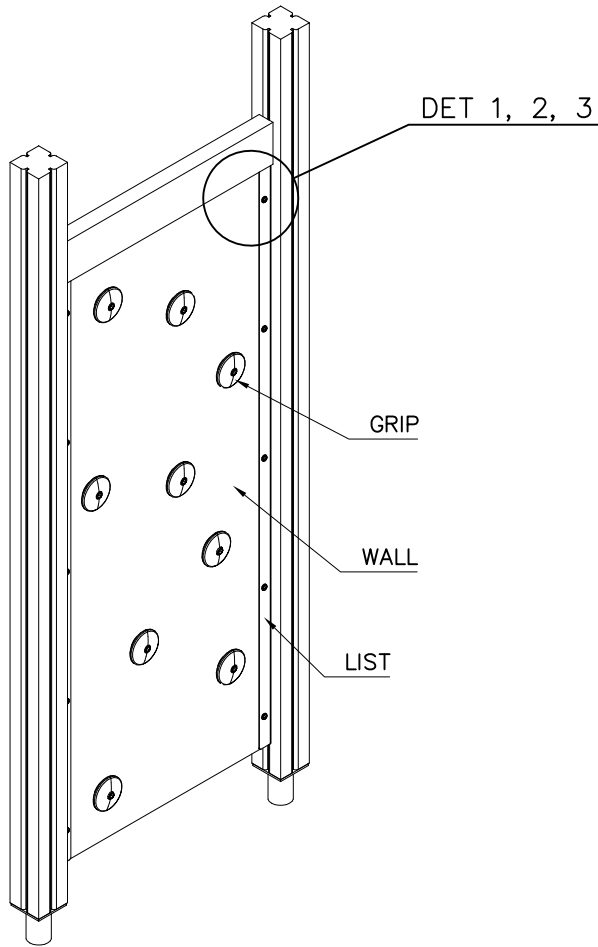



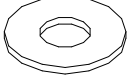
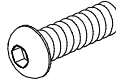
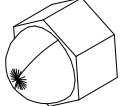
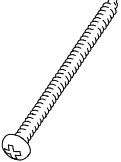

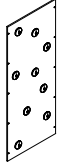
① 706475	PCS	② 980128	PCS
	1		6
		Ø7x40	
③ 909256	PCS		PCS
	6		
		Ø16/8.4	
	PCS		PCS
	PCS		PCS



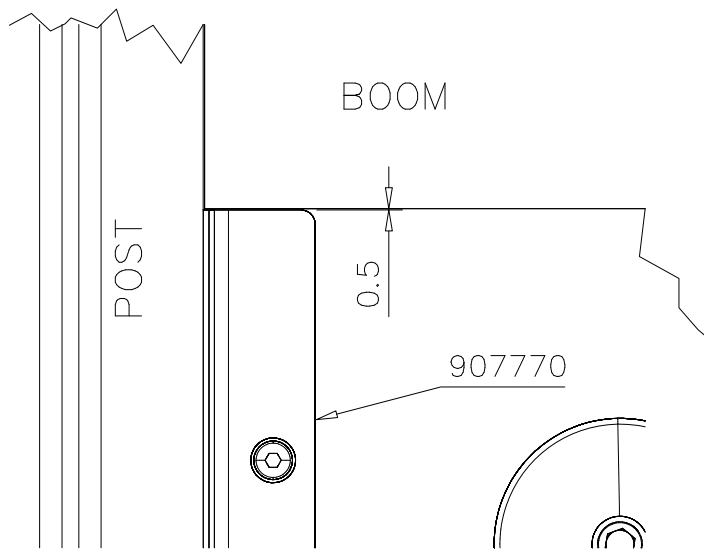
OPTIONS		
706475	706475-602	DARK BROWN
	706475-603	LIGHT BROWN
	706475-604	LIGHT GRAY



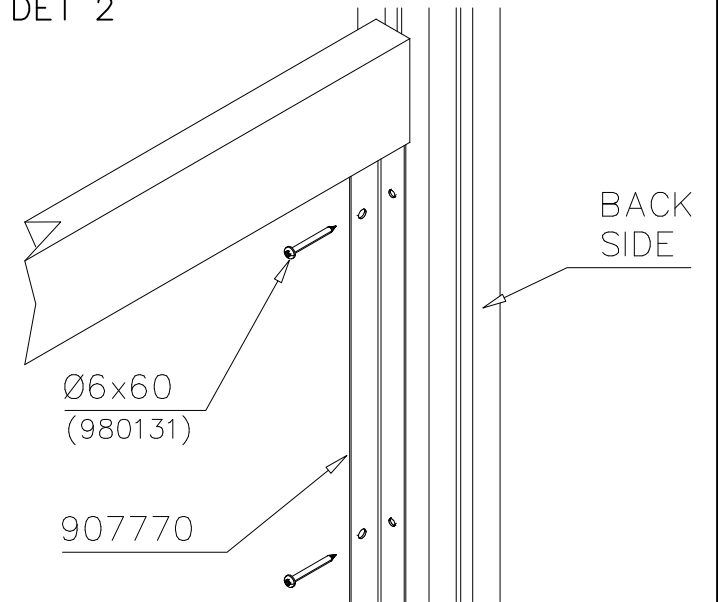


① 909256	PCS	② 980152	PCS
	10		10
Ø16/8.4x1.6		Ø24/8.4x2	
③ 909850	PCS	④ 909633	PCS
	10		10
M8x25		M8	
	PCS	⑤ 980131	PCS
			10
		Ø6x60	
	PCS		PCS
	PCS		PCS
	PCS		PCS
○ 907770	PCS	○ 706646 + grips	PCS
	2		1
2x35/40x1659			
	PCS		PCS

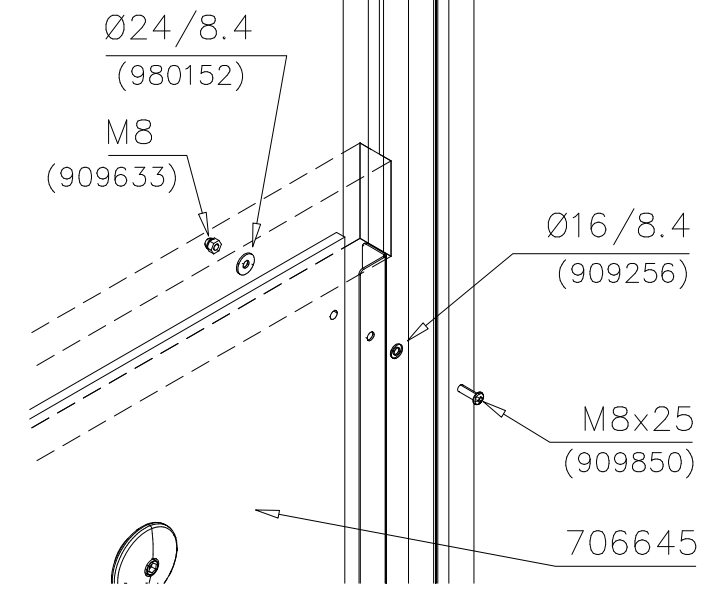
DET 1

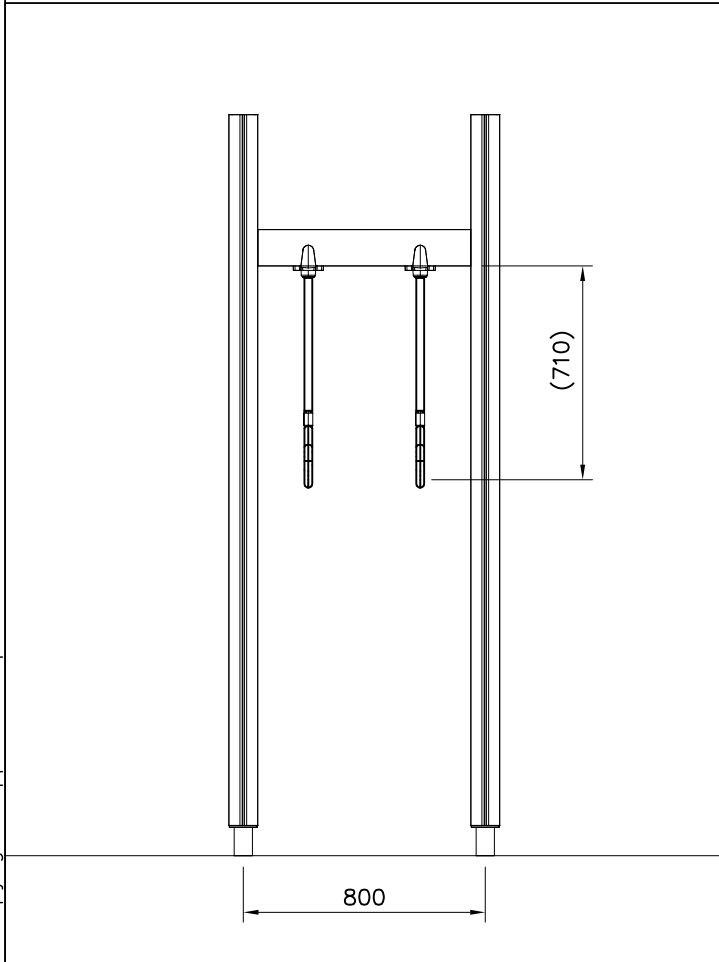
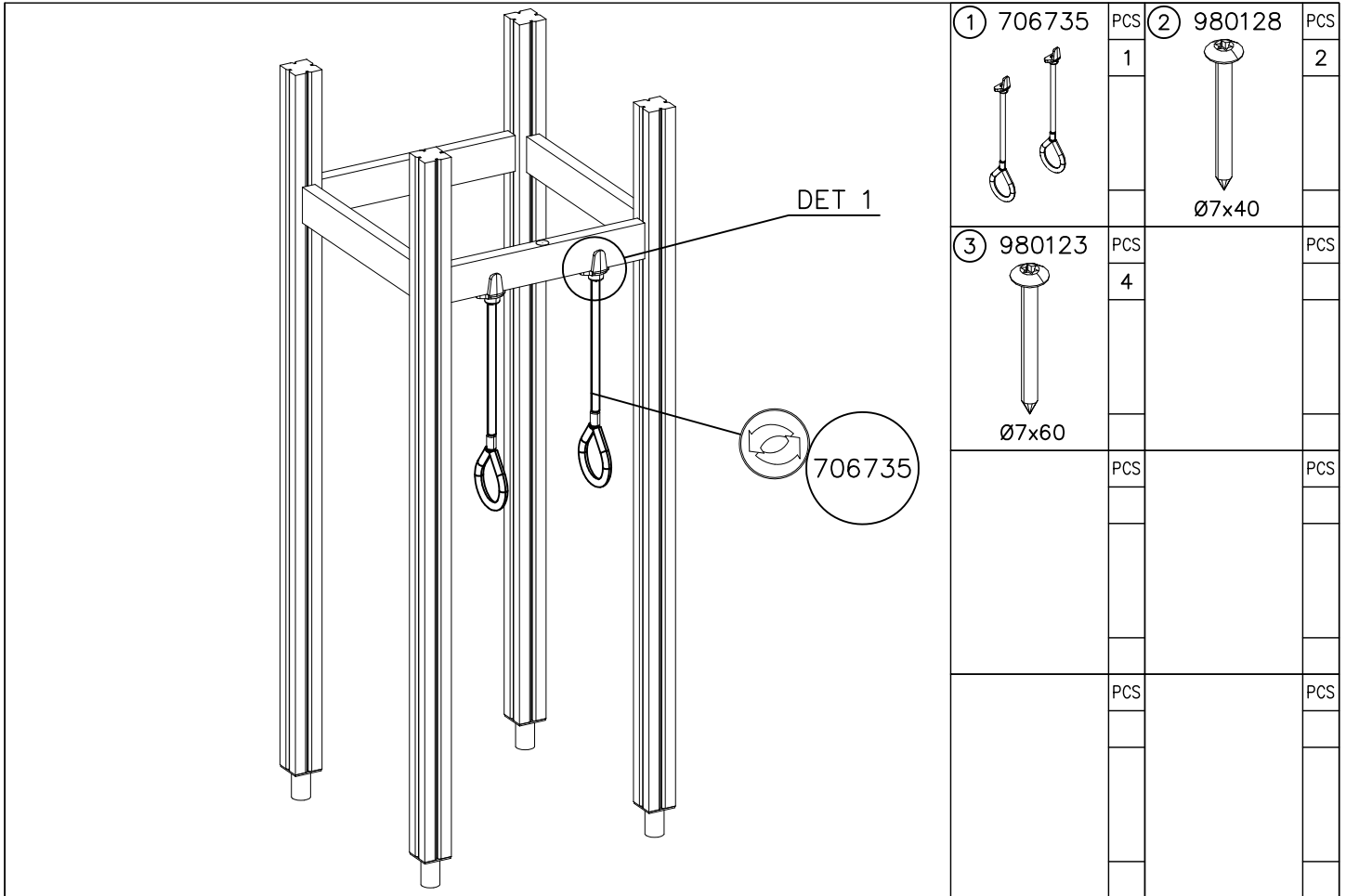


DET 2

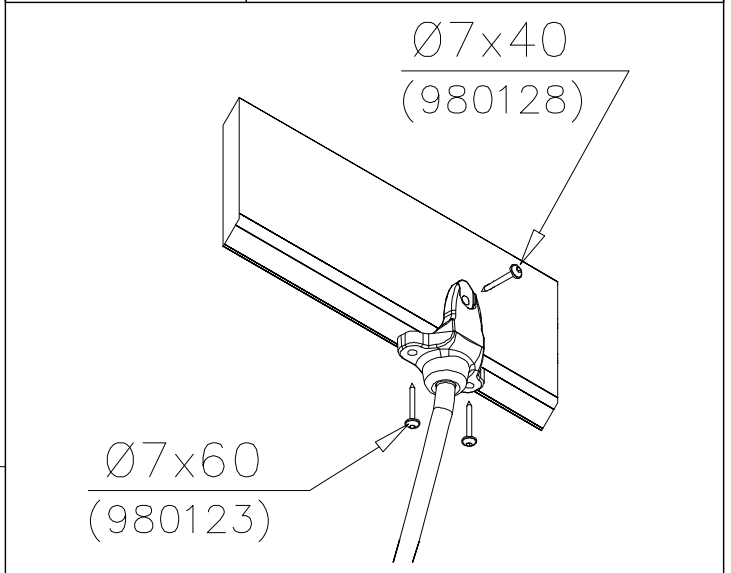


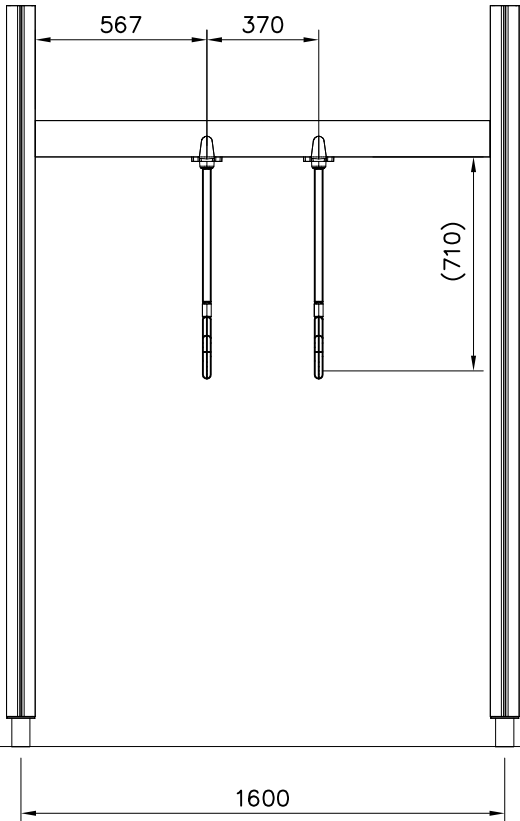
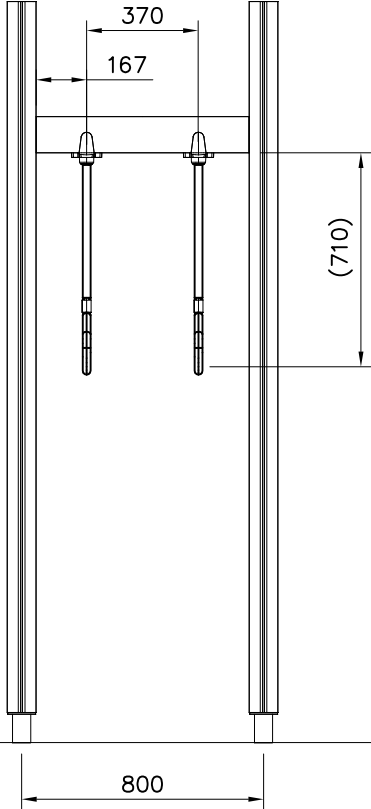
DET 3





RINGS OPTIONS		
706735	706735-301	BLUE
	706735-302	RED
	706735-303	BEIGE
	706735-304	GRAY
	706735-305	BLACK
	706735-306	YELLOW





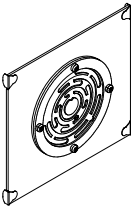
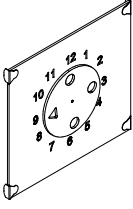
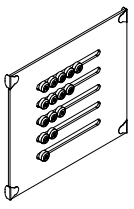
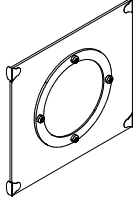
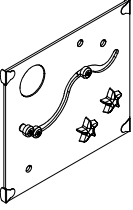
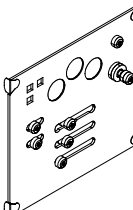
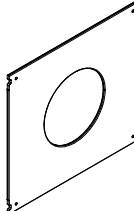
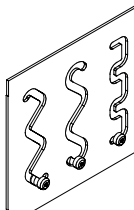
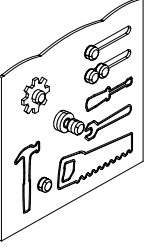
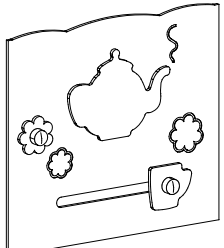
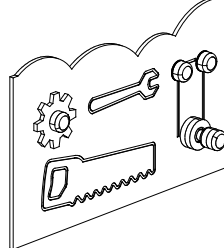
① 903176	PCS	② 909850	PCS
	4		4
		M8x25	
③ 909256	PCS	④ 909633	PCS
	8		4
Ø16/8.4x1.6		M8	
⑤ 980123	PCS		PCS
	4		
Ø7x60			

**\*Note:**  
No gaps between:  
8–25mm  
89–230mm

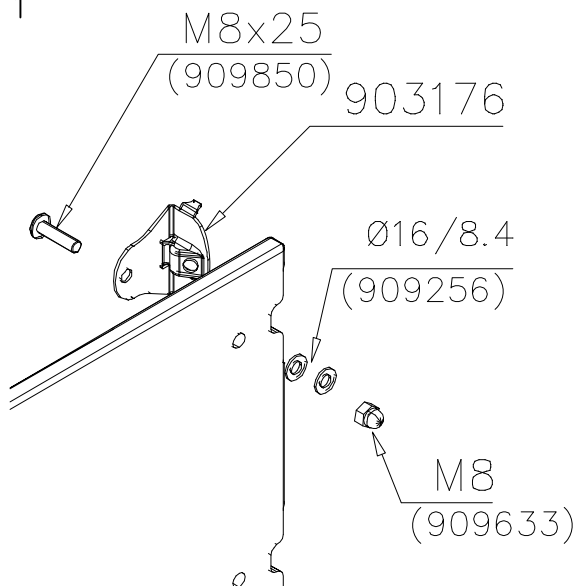
COLOR OPTIONS	
-701	BLUE
-702	YELLOW
-703	LIME
-704	DARK GRAY
-705	LIGHT GRAY
-706	RED
-707	GREEN
-708	FUXIA

Copyright Lappset Group Ltd

GAME WALL OPTIONS

706766	706772	706308	707453
			
640x702	640x702	640x702	640x702
707209	705705	707433	707386
			
640x702	640x702	640x702	640x702
709403	709358	709405	
			
640x702	640x702	420x702	

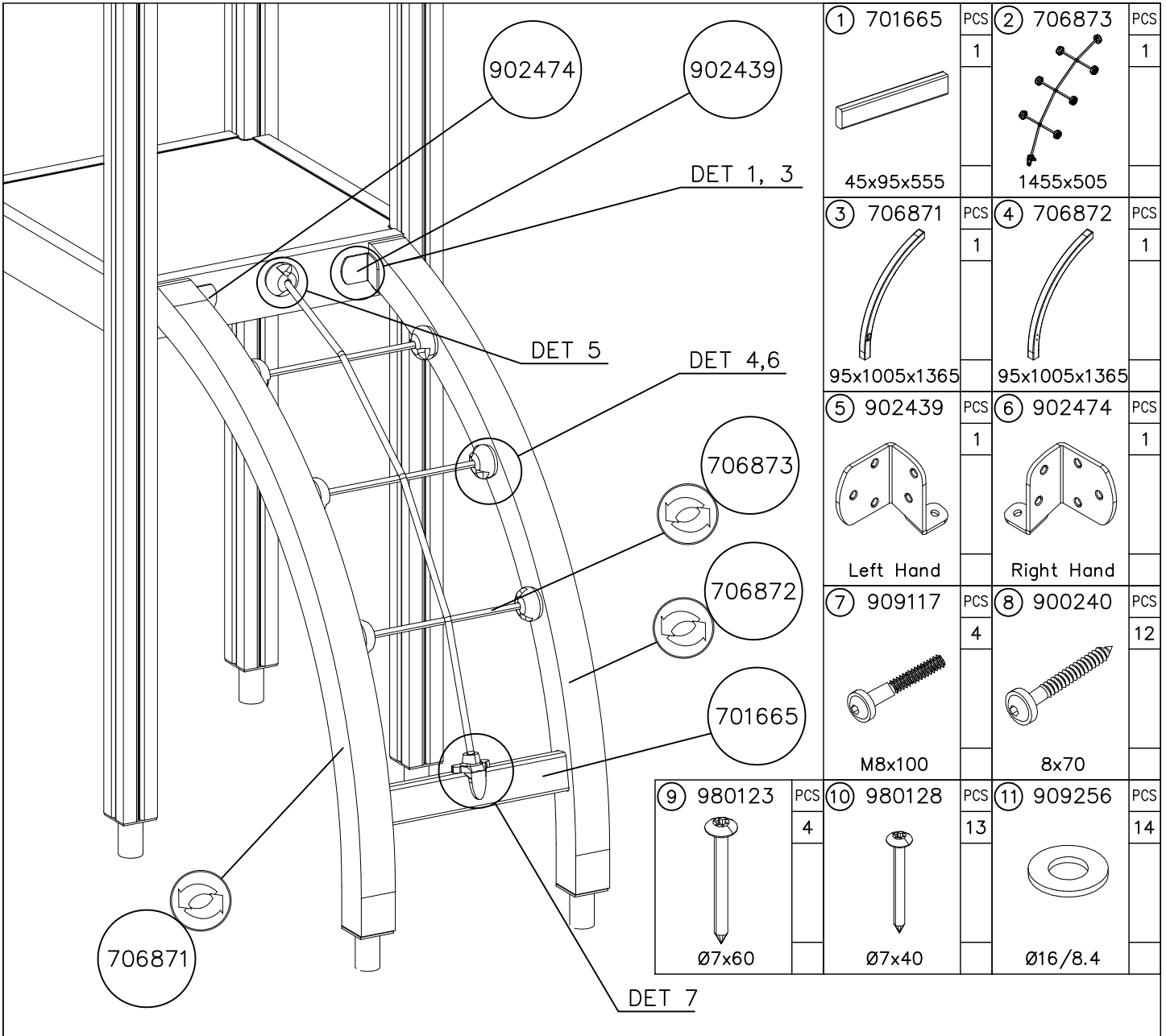
DET 1



DET 2







① 701665	PCS	② 706873	PCS		
	1		1		
45x95x555		1455x505			
③ 706871	PCS	④ 706872	PCS		
	1		1		
95x1005x1365		95x1005x1365			
⑤ 902439	PCS	⑥ 902474	PCS		
	1		1		
Left Hand		Right Hand			
⑦ 909117	PCS	⑧ 900240	PCS		
	4		12		
M8x100		8x70			
⑨ 980123	PCS	⑩ 980128	PCS	⑪ 909256	PCS
	4		13		14
Ø7x60		Ø7x40		Ø16/8.4	

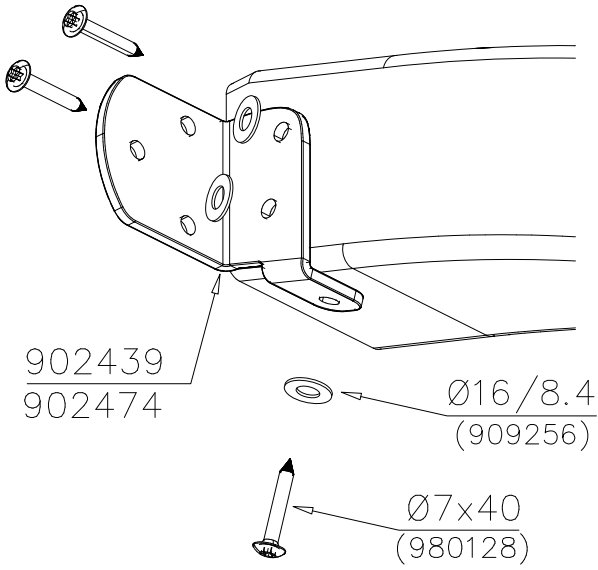
### NET OPTIONS

 1455x505	706873-301	BLUE
	706873-302	RED
	706873-303	BEIGE
	706873-304	GRAY
	706873-305	BLACK
	706873-306	YELLOW

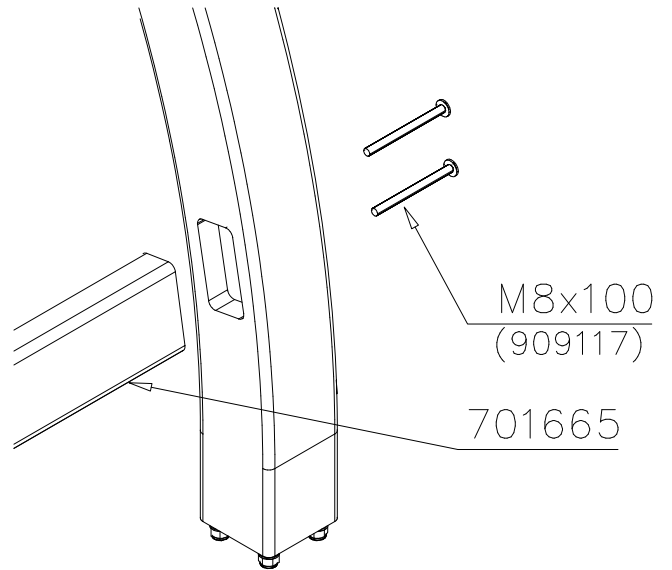
### BOOM OPTIONS

706871  95x1005x1365	706871-602 DARK BROWN 706871-603 LIGHT BROWN 706871-604 LIGHT GRAY	706872  95x1005x1365	706872-602 DARK BROWN 706872-603 LIGHT BROWN 706872-604 LIGHT GRAY
----------------------------	--	----------------------------	--

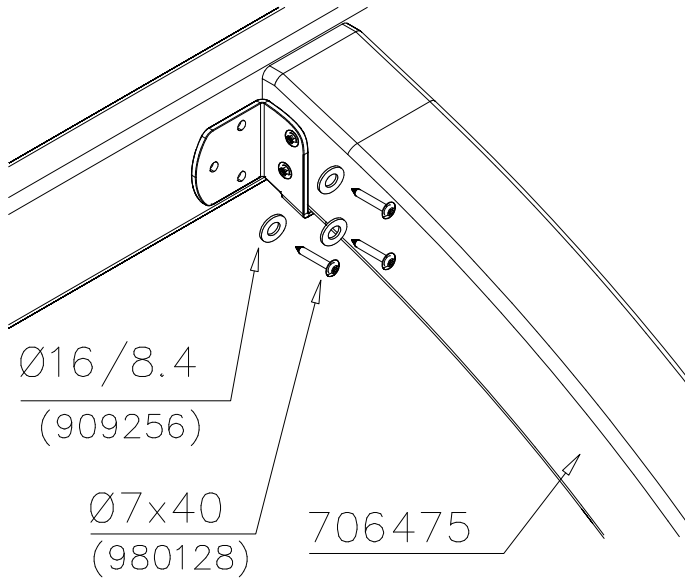
DET 1



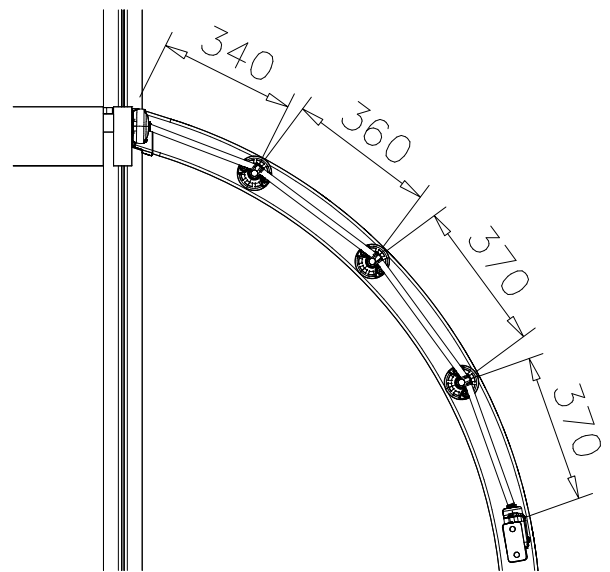
DET 2



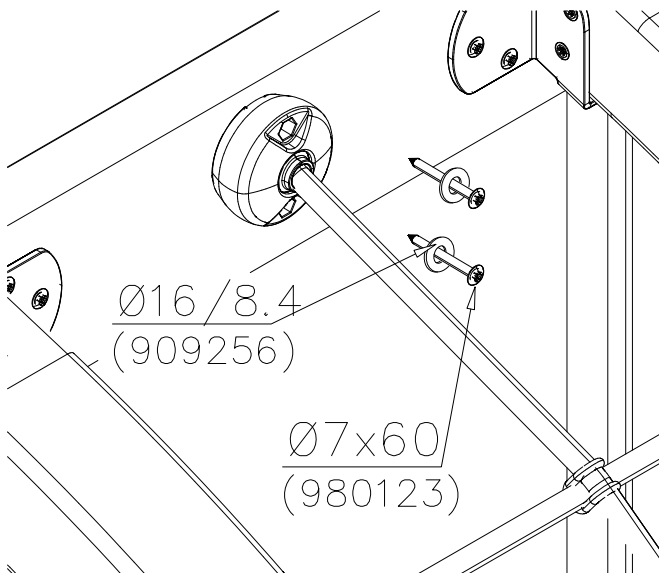
DET 3



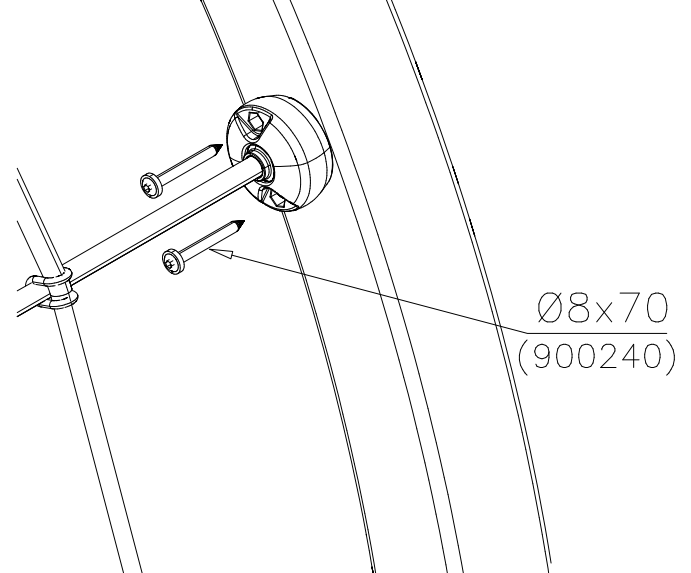
DET 4



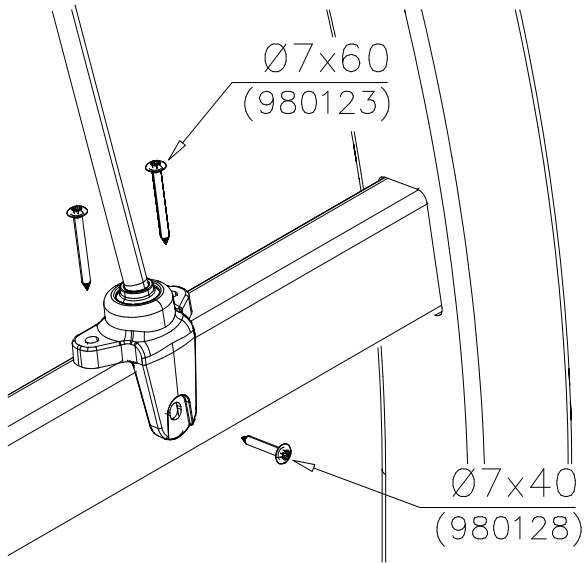
DET 5



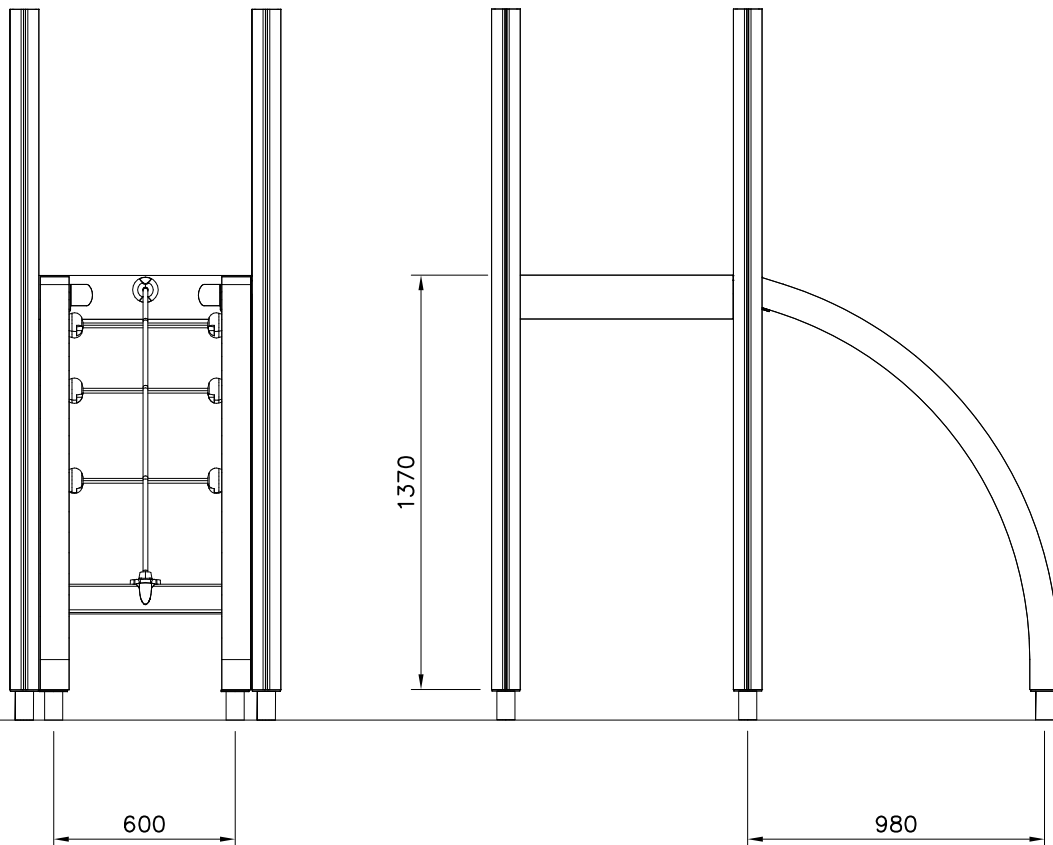
DET 6

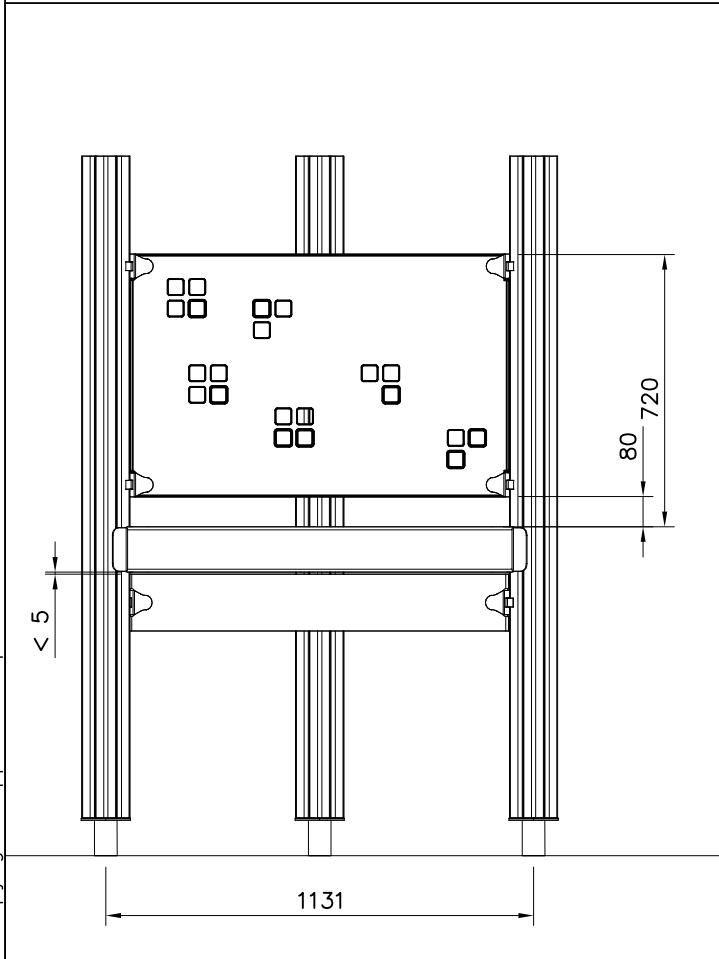
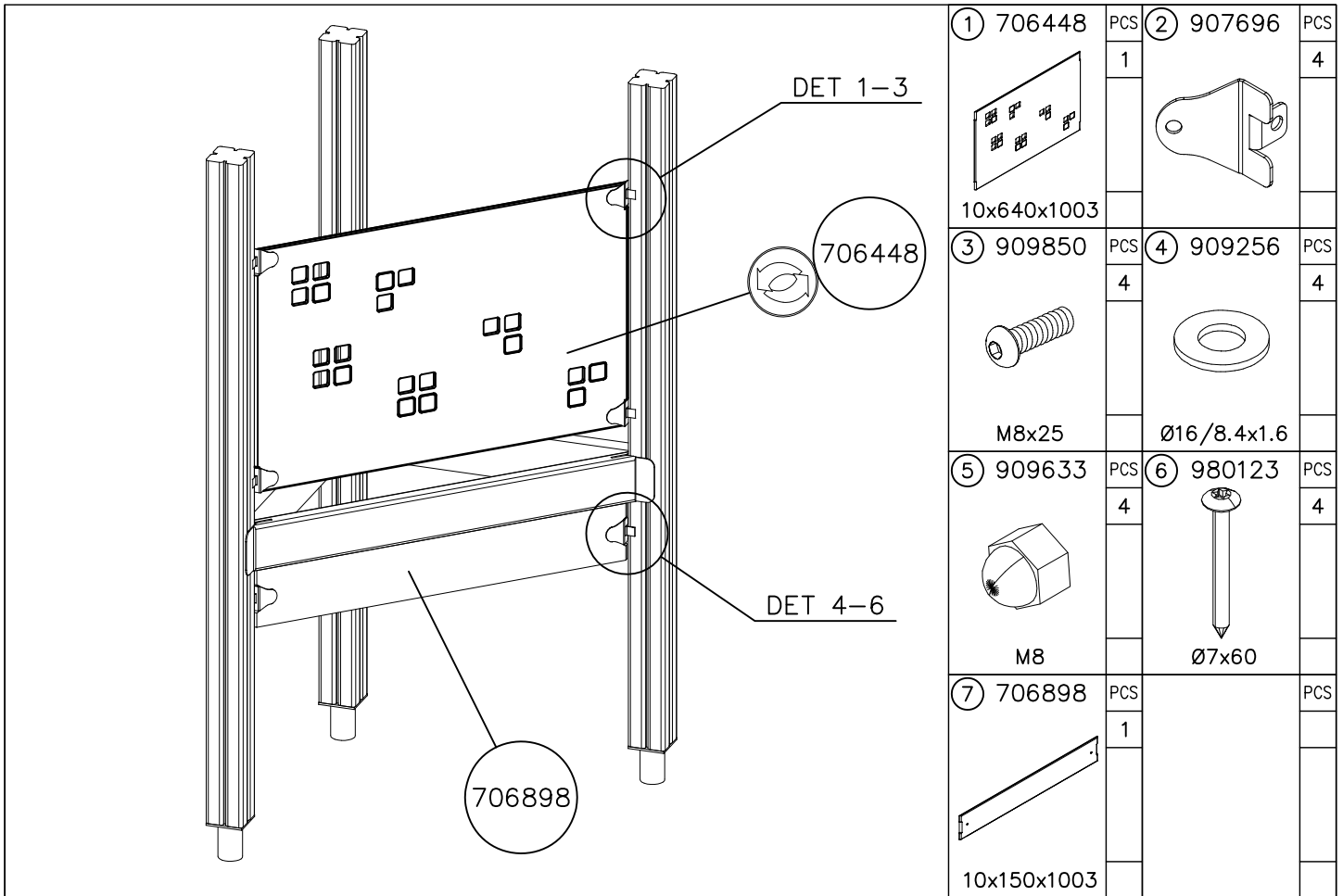


DET 7



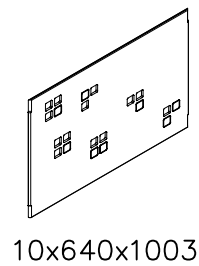
DET 8





### WALL OPTIONS

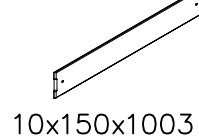
706448



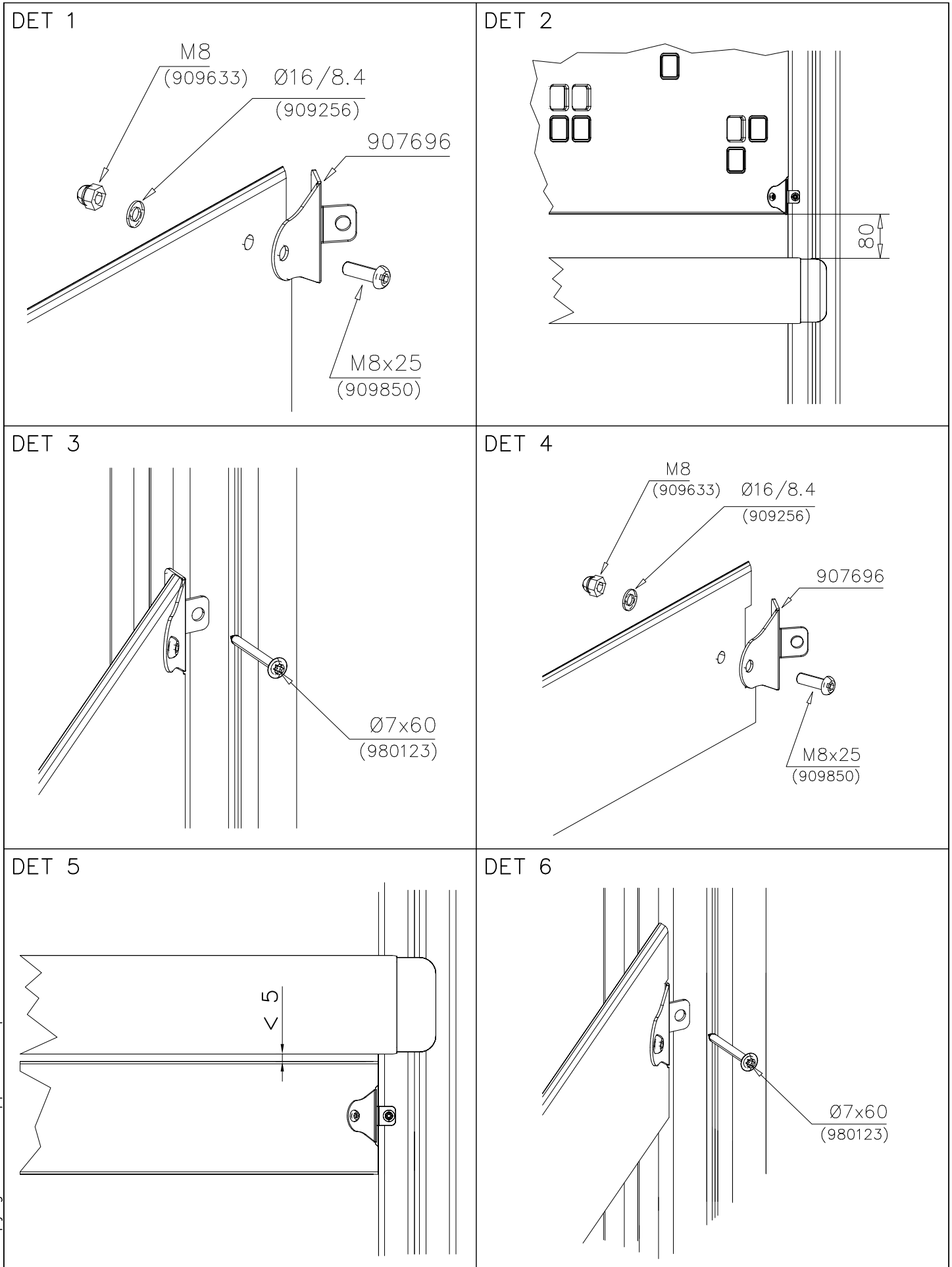
706448-701	BLUE
706448-702	YELLOW
706448-703	LIME
706448-704	DARK GRAY
706448-705	LIGHT GRAY
706448-706	RED
706448-707	GREEN
706448-708	FUXIA

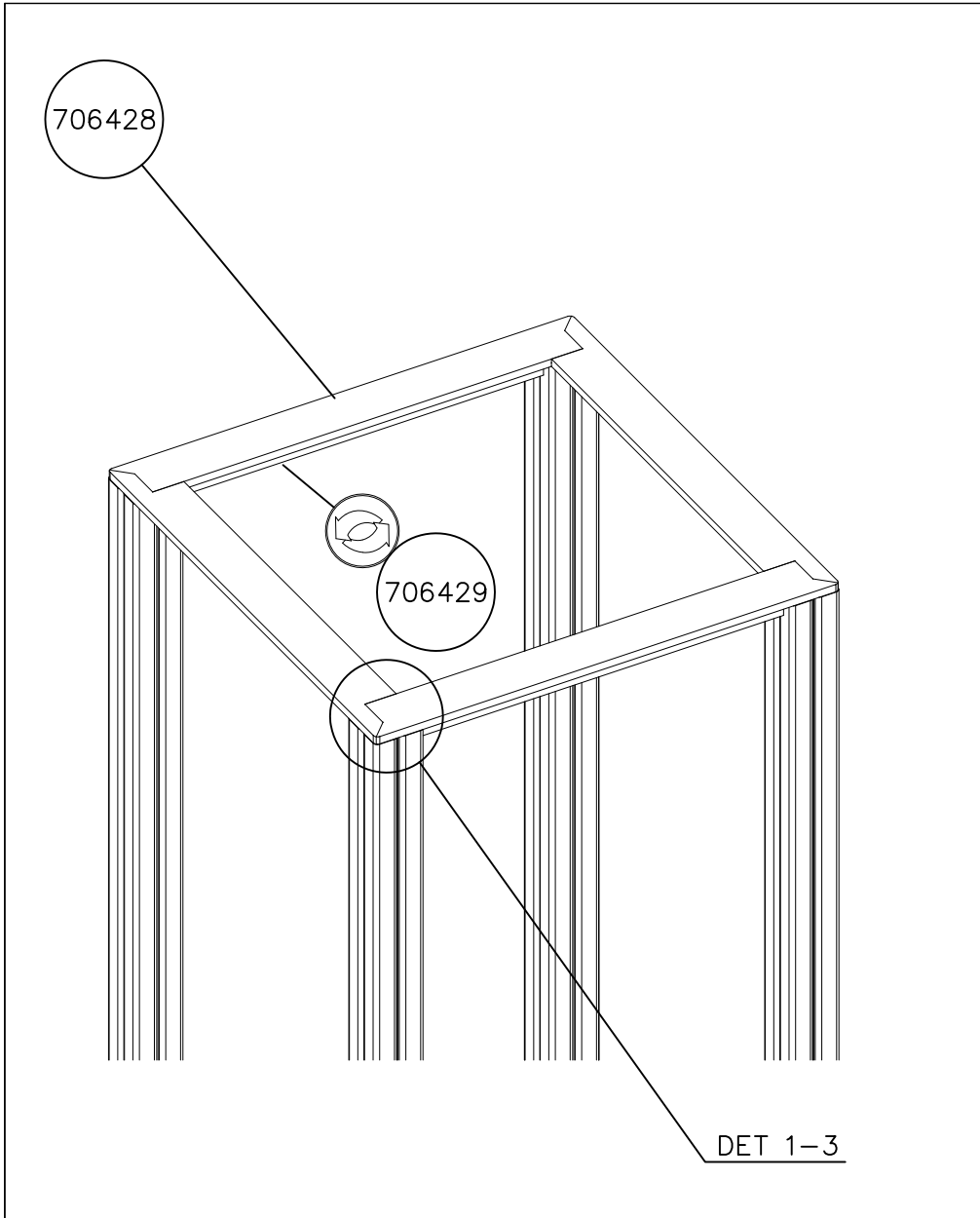
### WALL OPTIONS

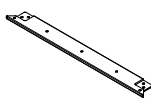
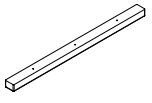
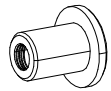
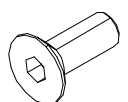

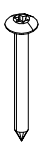
706898



706898 DARK GRAY

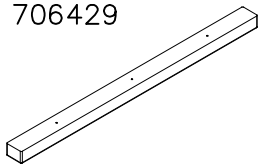




① 706428	PCS	② 706429	PCS
	4		4
15x93x888.5		32x45x705	
③ 900850	PCS	④ 907911	PCS
	8		8
M6		M6x12	
⑤ 980123	PCS	⑥ 980128	PCS
	8		12
Ø7x60		Ø7x40	
	PCS		PCS
	PCS		PCS

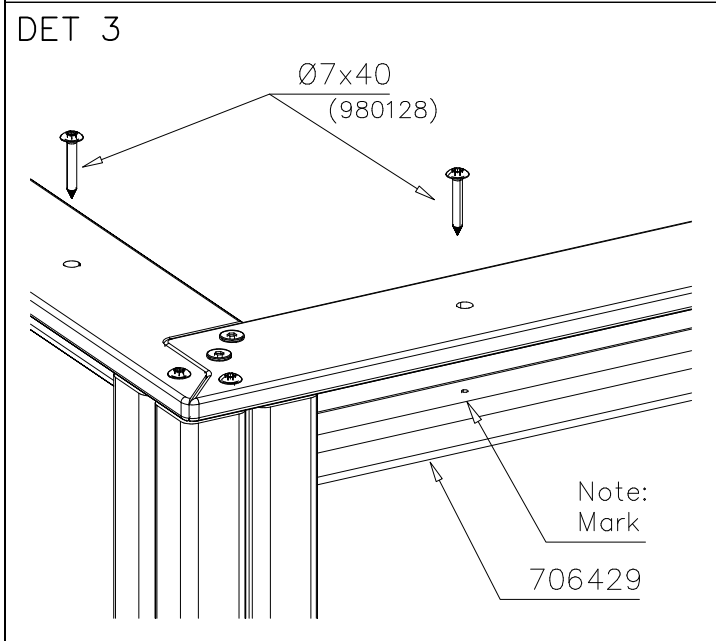
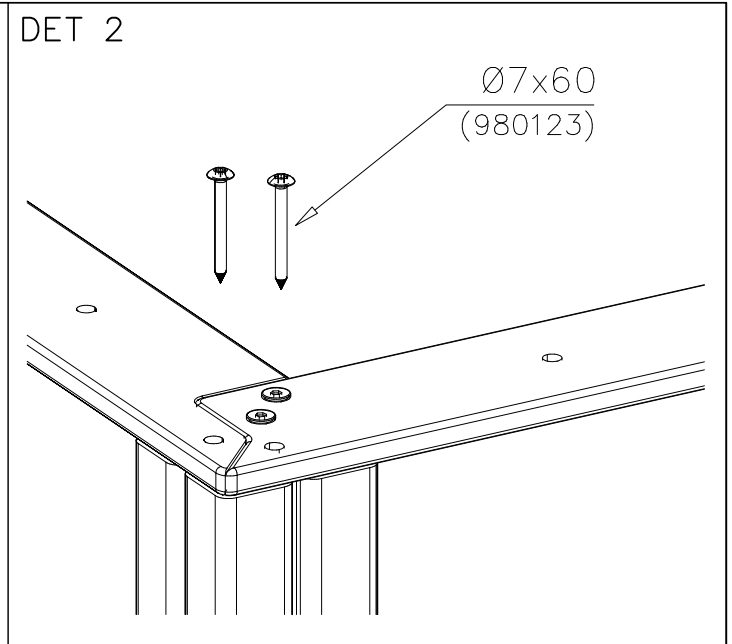
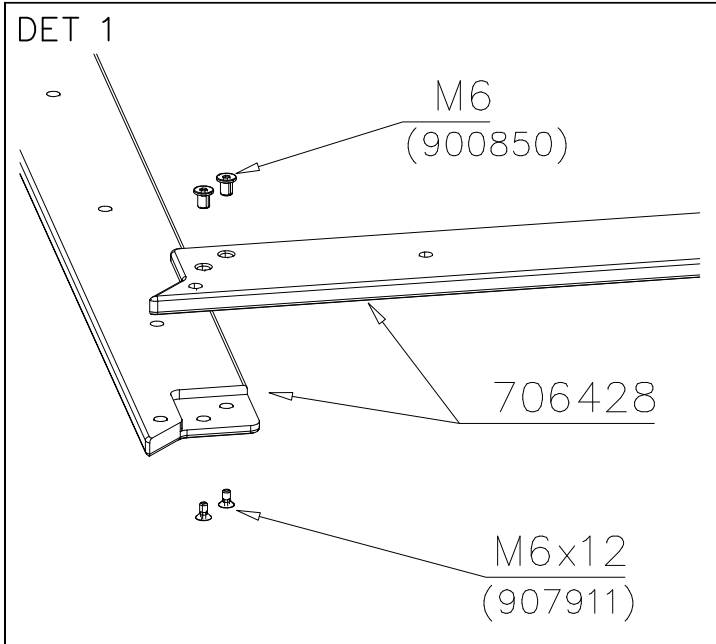
STRIP OPTIONS

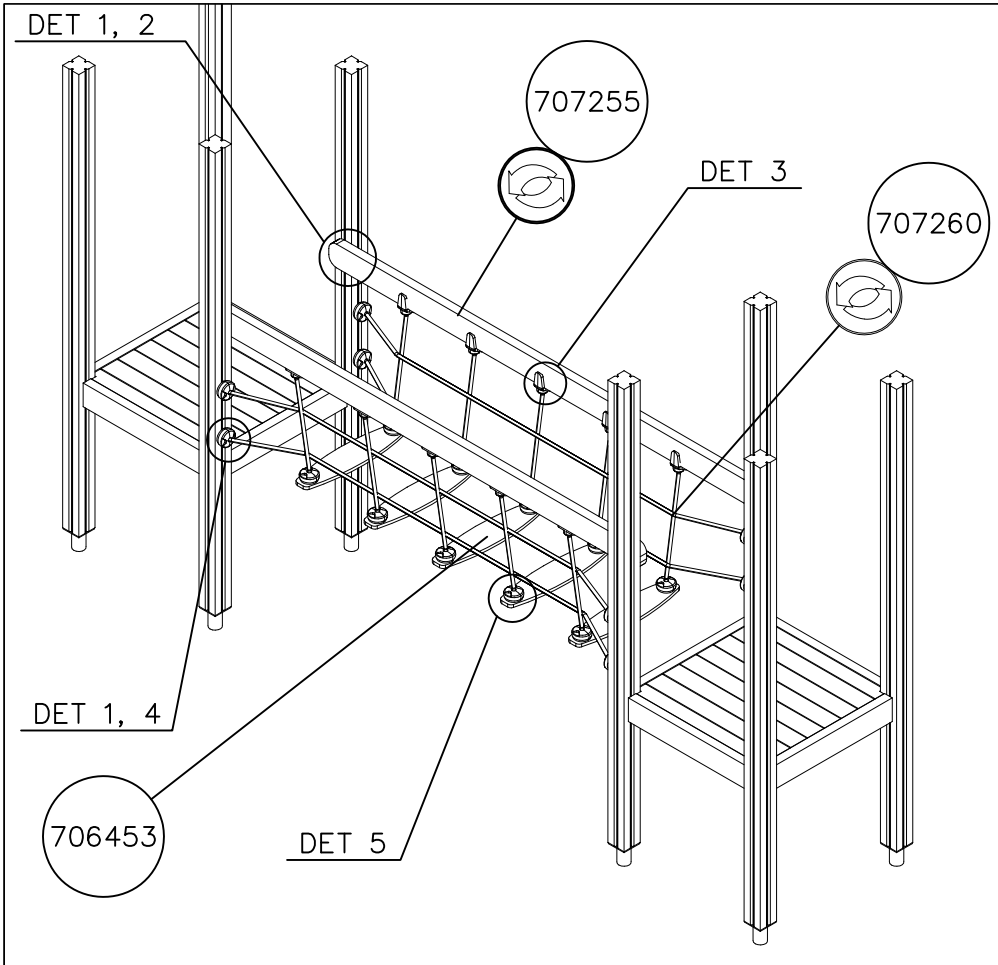
706429

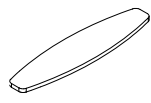
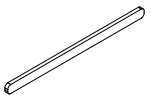
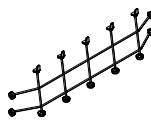
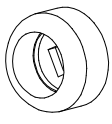
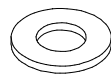

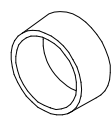
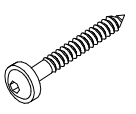


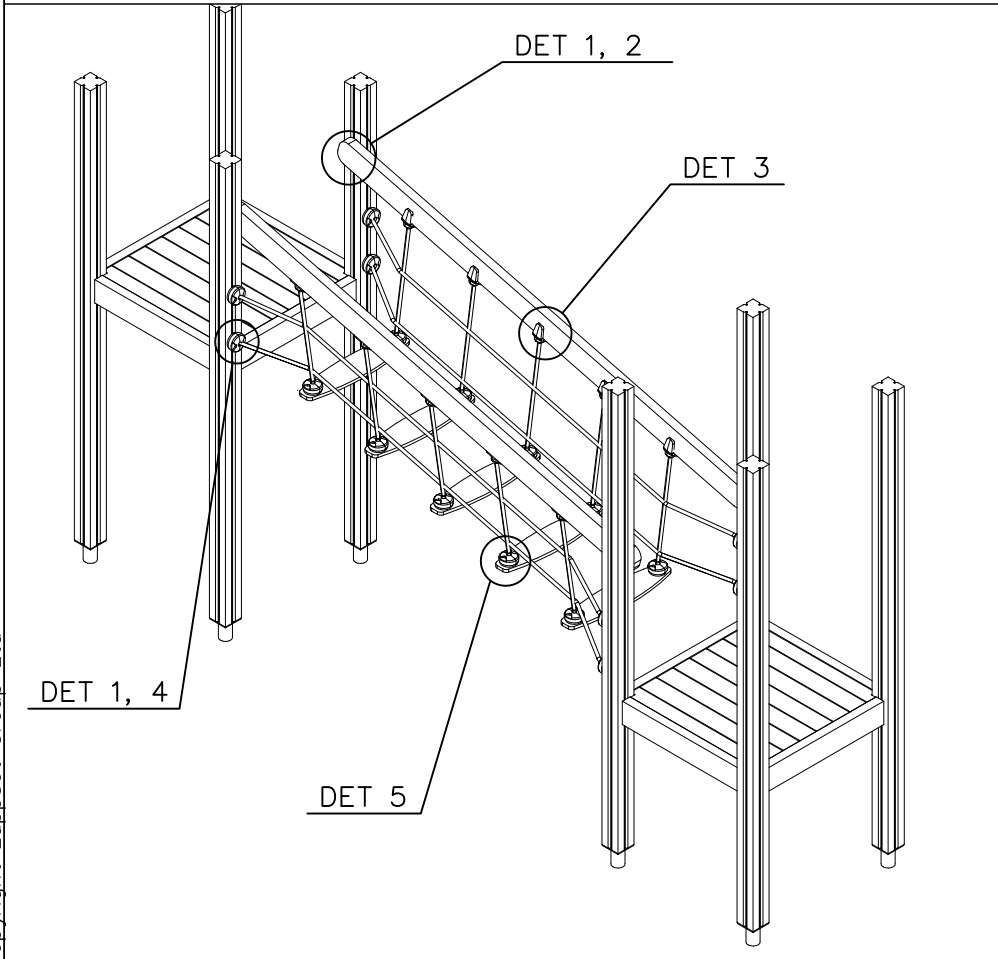
32x45x705


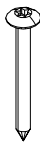
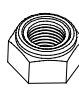
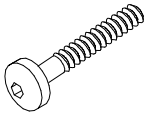
706429-602	DARK BROWN
706429-603	LIGHT BROWN
706429-604	LIGHT GRAY



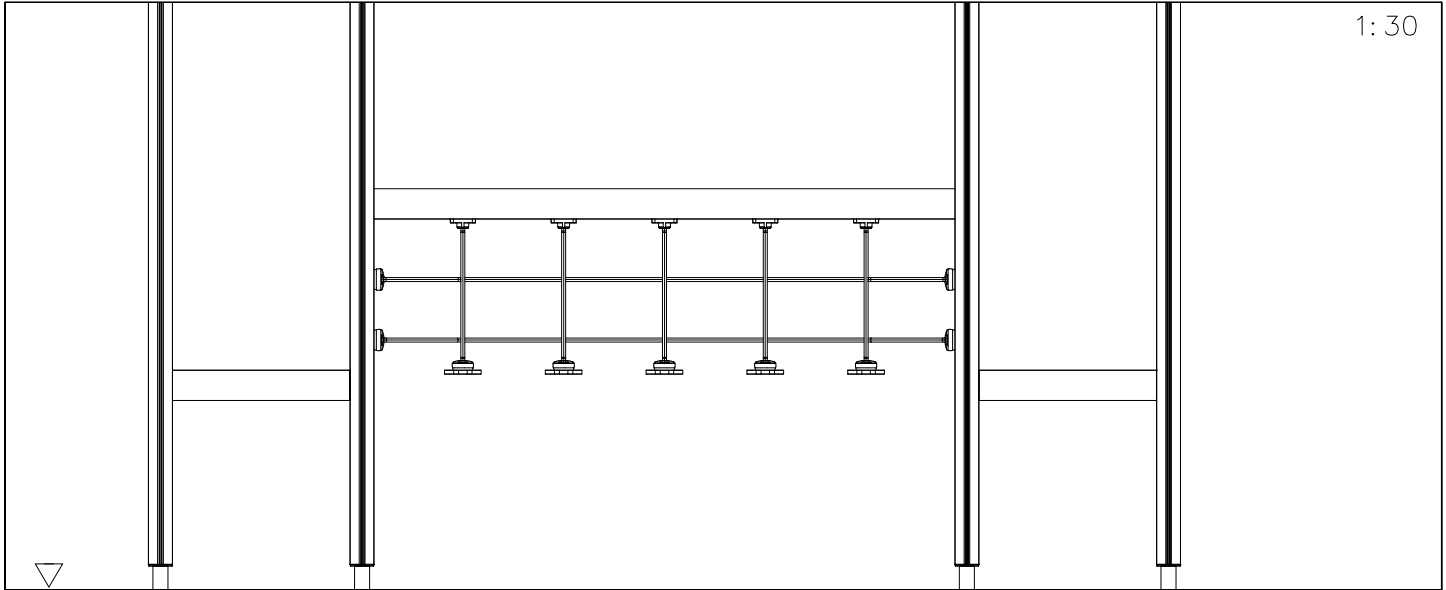


① 706453	PCS	② 707255	PCS
	5		2
15x145x600		45x120x2480	
③ 707260	PCS	④ 905083	PCS
	2		4
2375x600		Ø32	
⑤ 980151	PCS	⑥ 909232	PCS
	4		4
Ø16/8.4		8x120	
⑦ 905112	PCS	⑧ 900240	PCS
	4		16
Ø22		Ø8x70	



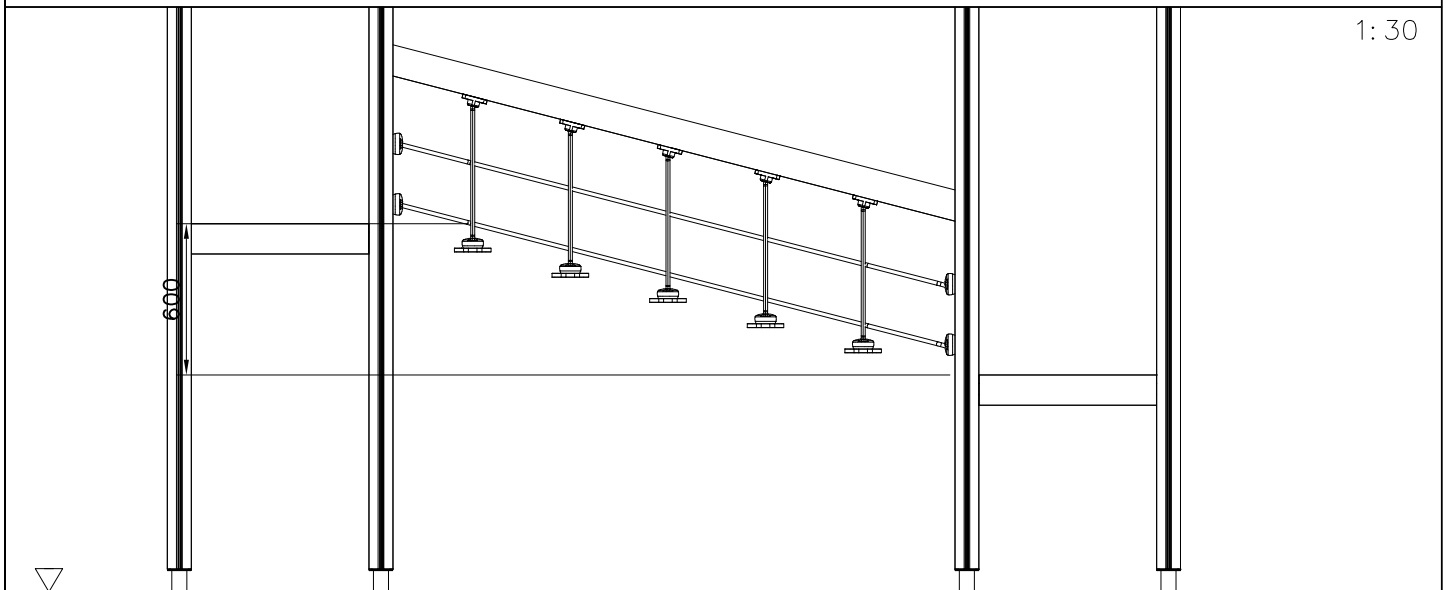
⑨ 980123	PCS	⑩ 980128	PCS
	20		10
Ø7x60		Ø7x40	
⑪ 980150	PCS	⑫ 901899	PCS
	20		20
M8		M8x45	
	PCS		PCS
	PCS		PCS





2400

1:30

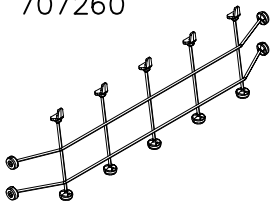


2320

1:30

### NET OPTIONS

707260

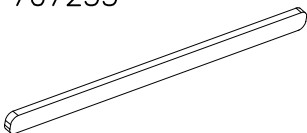


2375x600

- 707260-301 BLUE
- 707260-302 RED
- 707260-303 BEIGE
- 707260-304 GRAY
- 707260-305 BLACK
- 707260-306 YELLOW

### RAILING OPTIONS

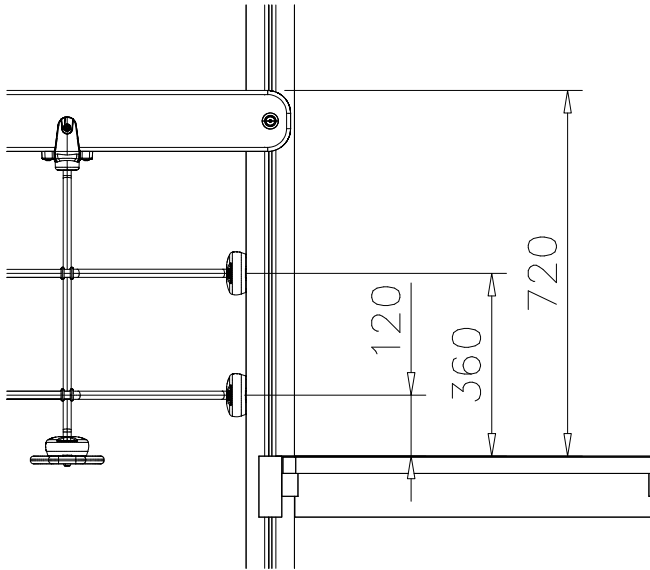
707255



45x120x2480

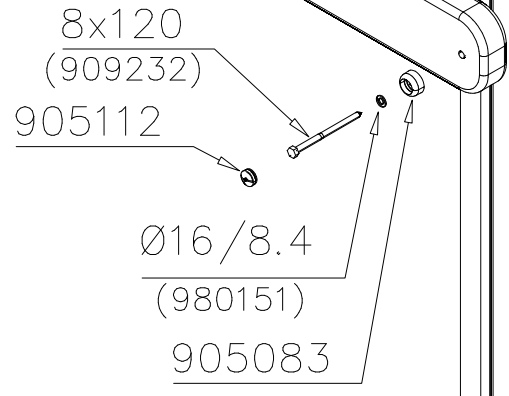
- 707255-605 DARK GRAY
- 707255-606 GRAY
- 707255-607 RED
- 707255-608 BLUE
- 707255-609 GREEN
- 707255-610 YELLOW
- 707255-611 LIME
- 707255-612 FUXIA

DET 1

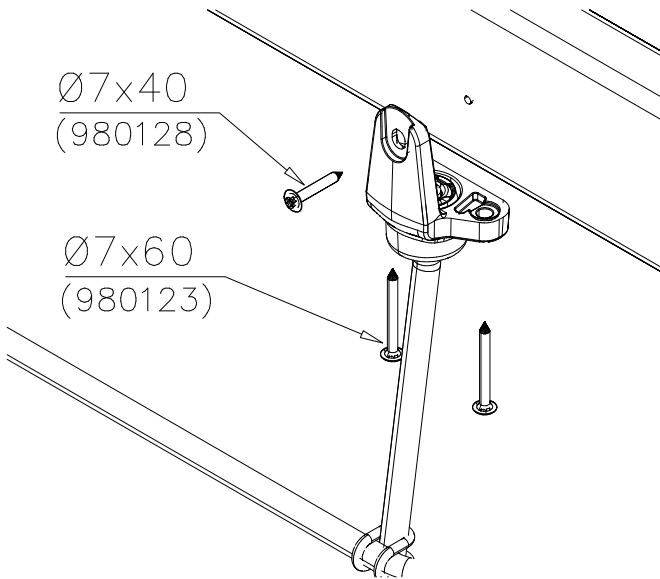


DET 2

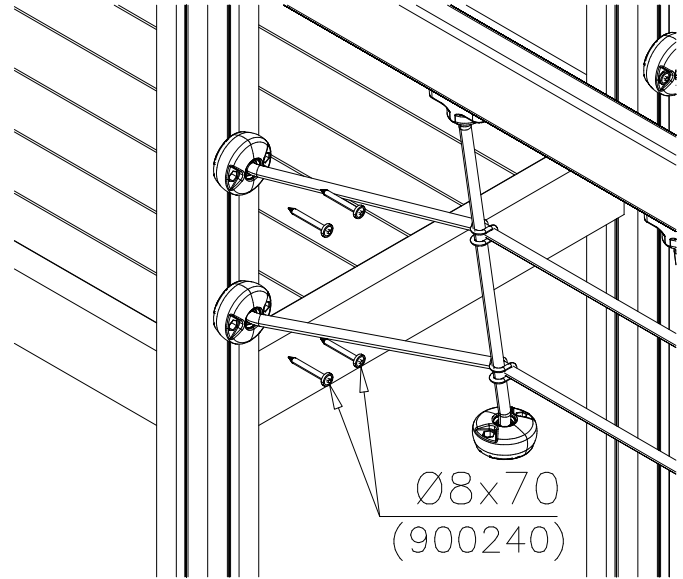
Note:  
in side  
Bridge



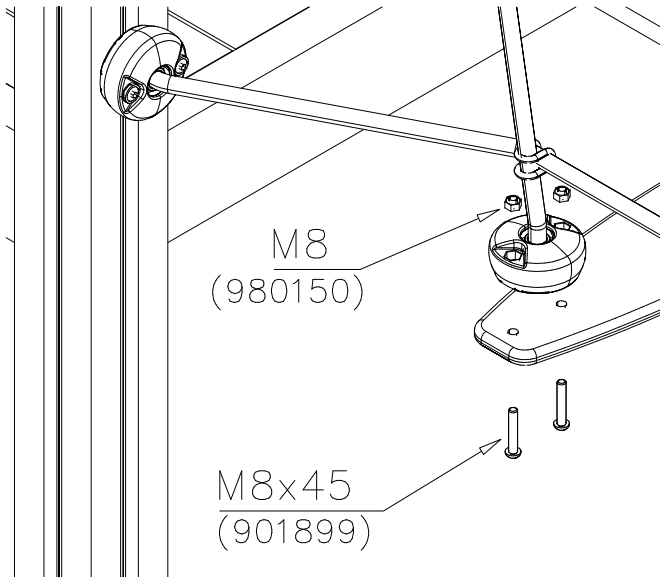
DET 3



DET 4

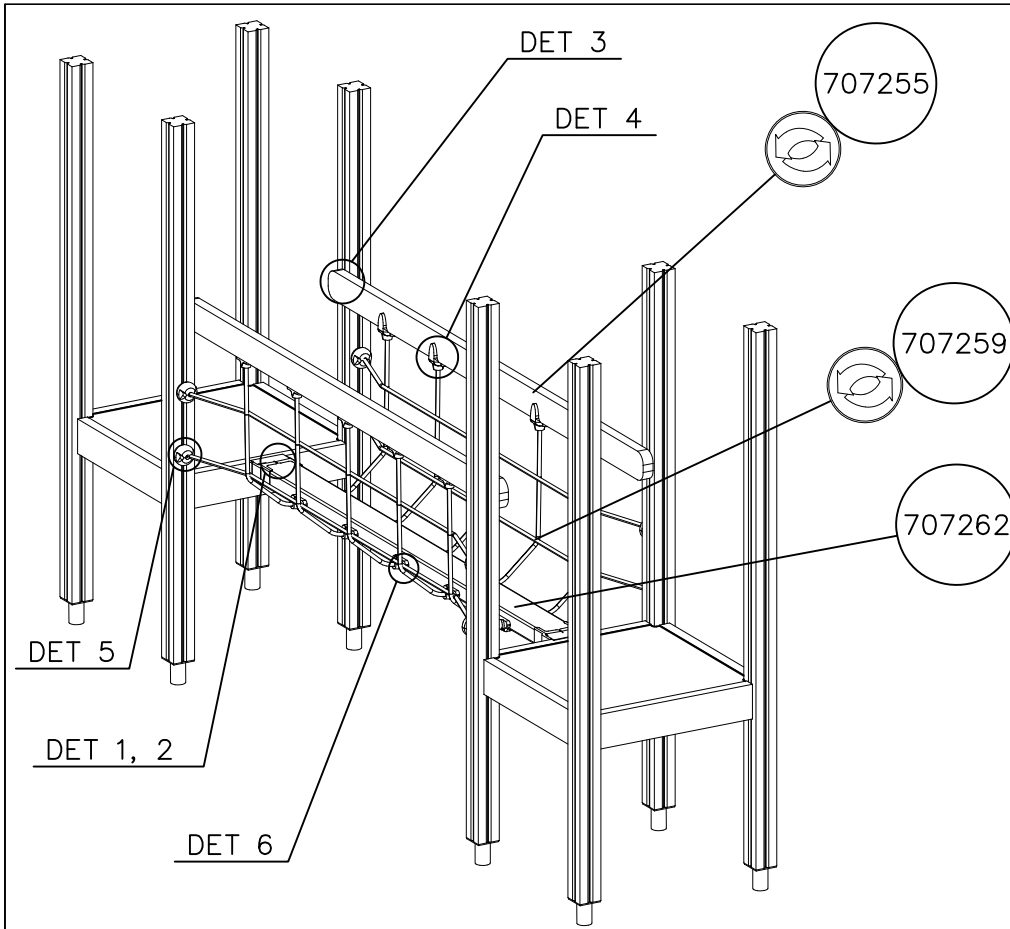


DET 5

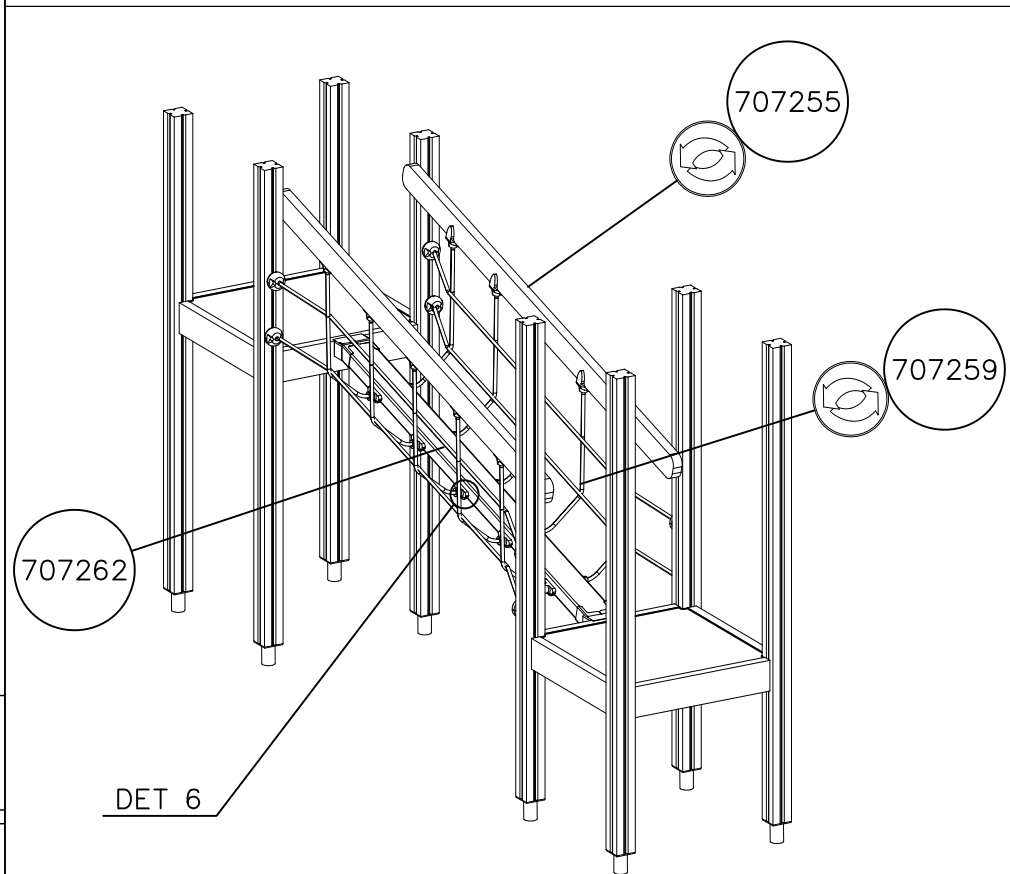


DET 6

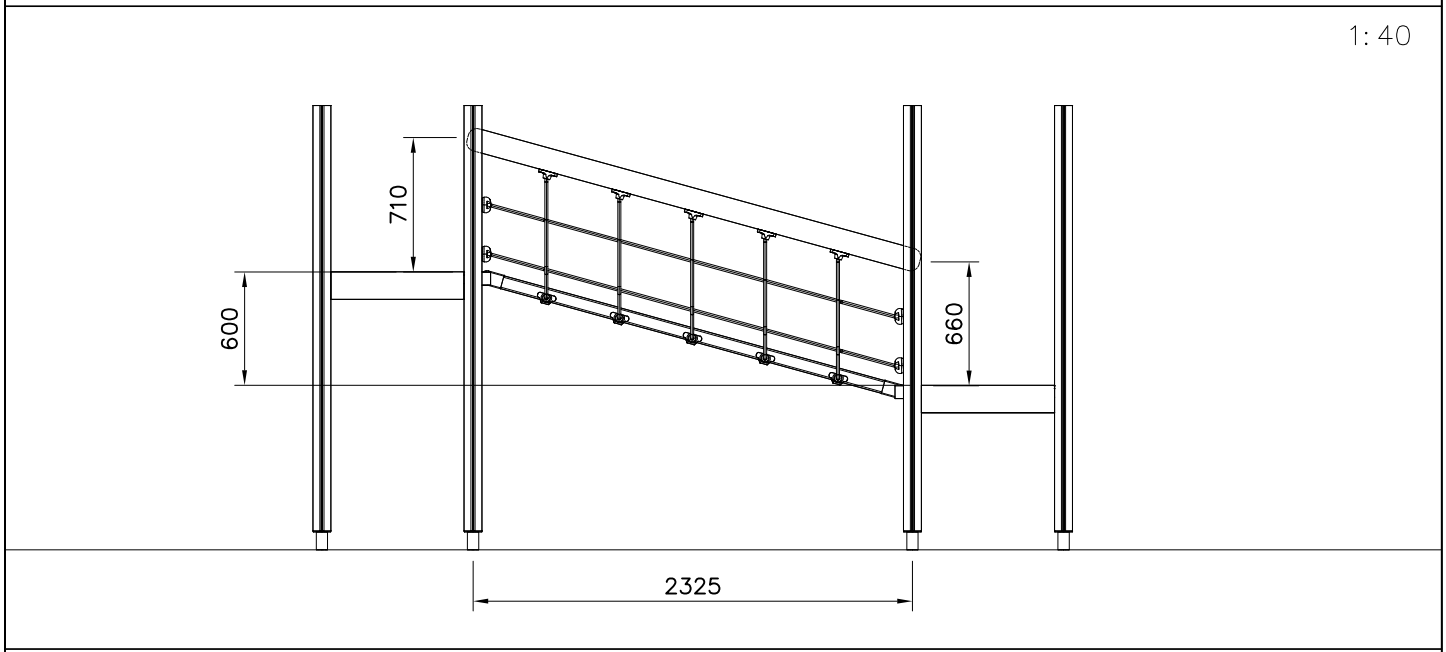
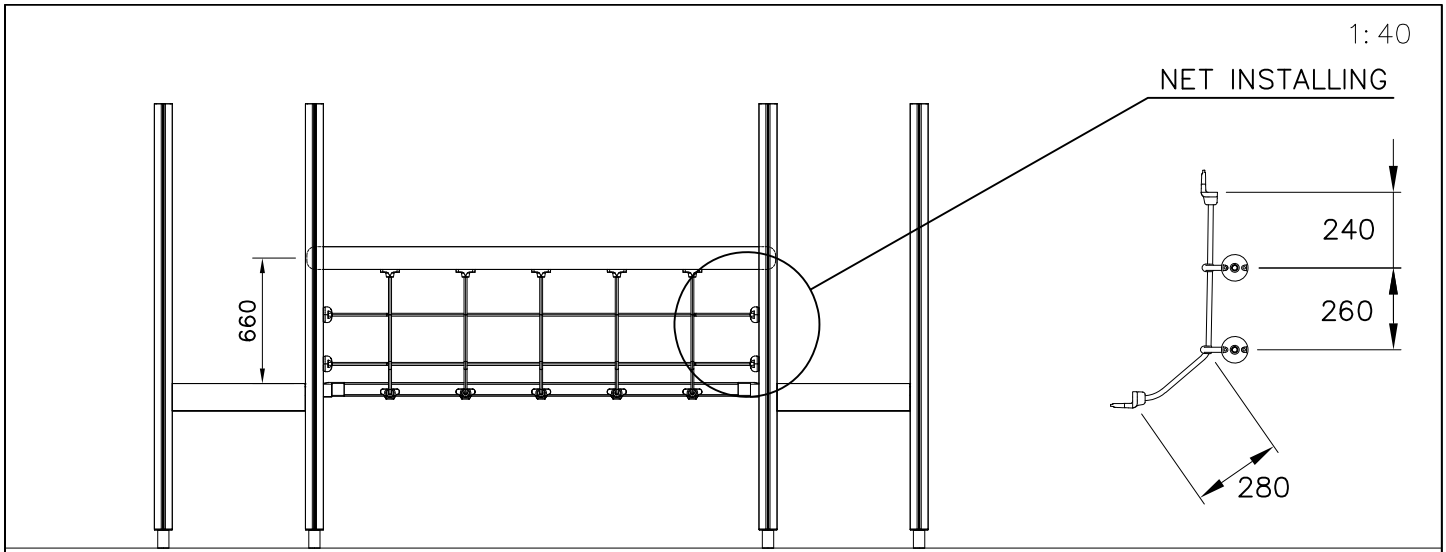




① 707255	PCS	② 707259	PCS
	2		2
45x120x2480		2340x800	
③ 707262	PCS	④ 980123	PCS
	1		40
		Ø7x60	
⑤ 980128	PCS	⑥ 909232	PCS
	28		4
Ø7x40		8x120	
⑦ 900240	PCS	⑧ 980151	PCS
	16		4
8x70		Ø16/8.4	

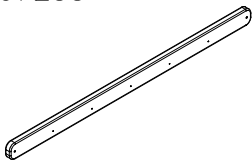


⑨ 905083	PCS	⑩ 905112	PCS
	4		8
Ø32		Ø22	
	PCS		PCS
	PCS		PCS
	PCS		PCS



BOOM OPTIONS

707255

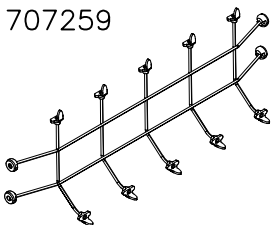


45x120x2480

- |            |             |            |        |
|------------|-------------|------------|--------|
| 707255-602 | DARK BROWN  | 707255-608 | BLUE   |
| 707255-603 | LIGHT BROWN | 707255-609 | GREEN  |
| 707255-604 | LIGHT GRAY  | 707255-610 | YELLOW |
| 707255-605 | DARK GRAY   | 707255-611 | LIME   |
| 707255-606 | GRAY        | 707255-612 | FUXIA  |
| 707255-607 | RED         |            |        |

NET OPTIONS

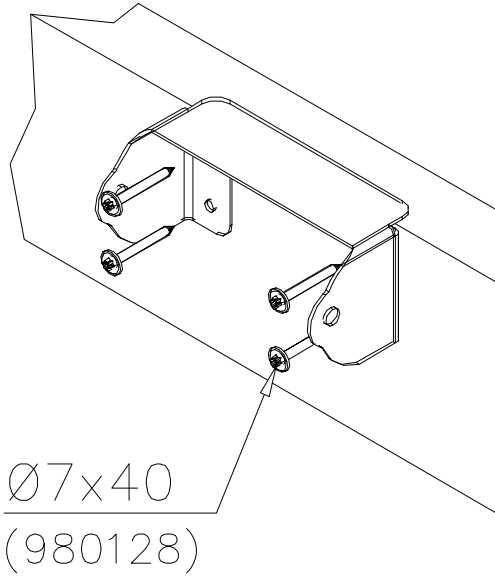
707259



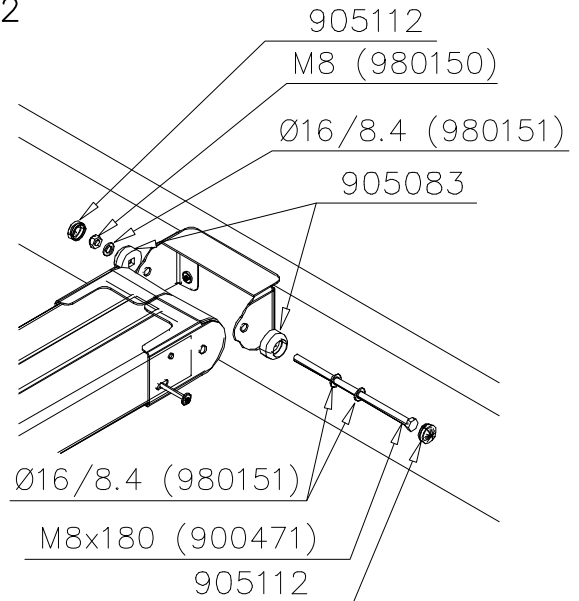
2340x800

- |            |        |
|------------|--------|
| 707259-301 | BLUE   |
| 707259-302 | RED    |
| 707259-303 | BEIGE  |
| 707259-304 | GRAY   |
| 707259-305 | BLACK  |
| 707259-306 | YELLOW |

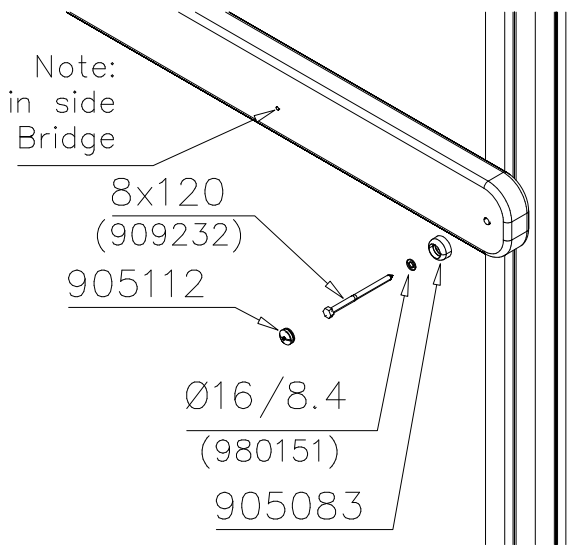
DET 1



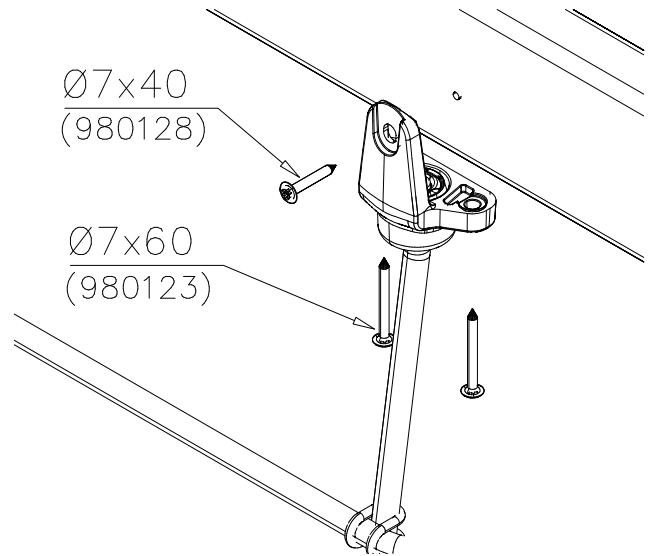
DET 2



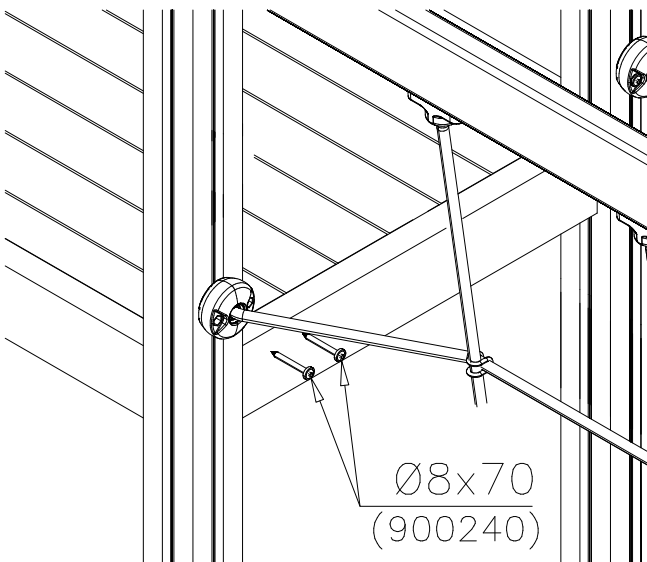
DET 3



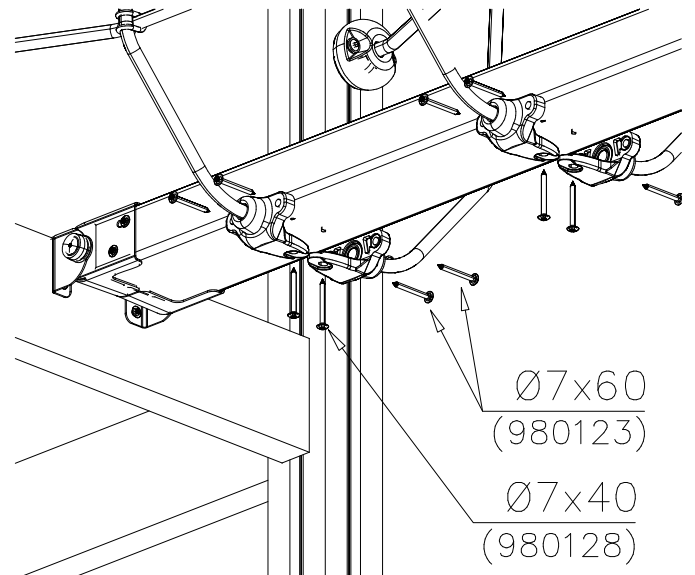
DET 4

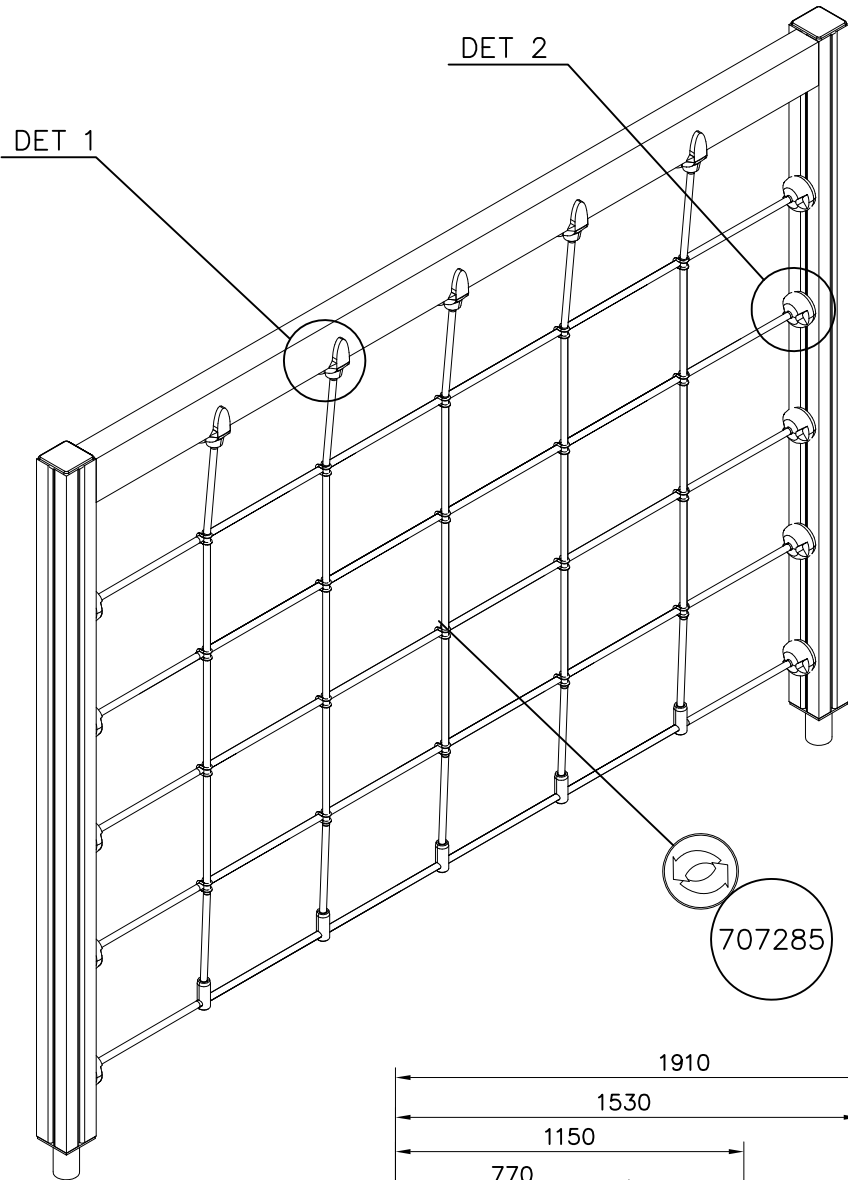


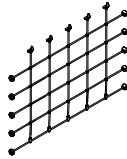



DET 5



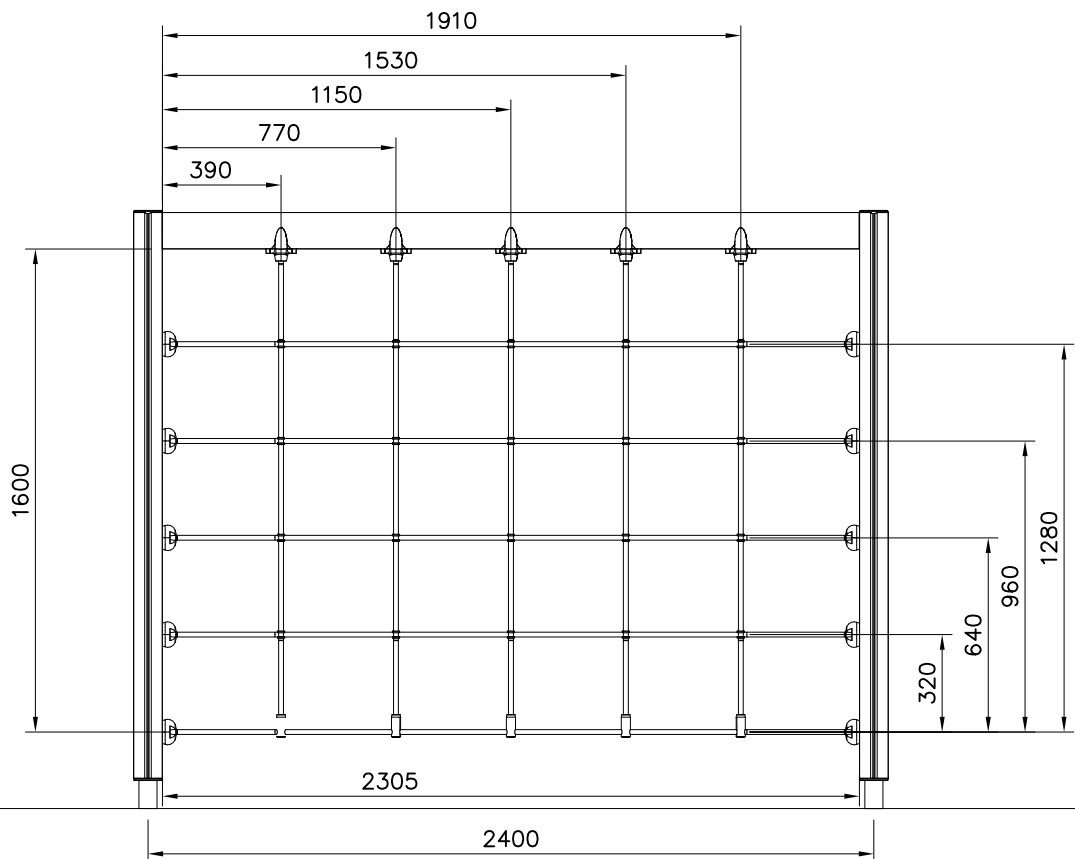
DET 6





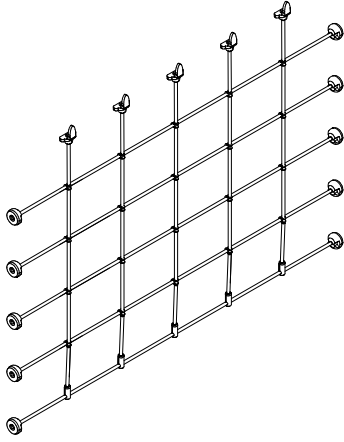
① 707285  1600x2305	PCS 1	② 900240  Ø8x70	PCS 20
③ 980128  Ø7x40	PCS 5	④ 980123  Ø7x60	PCS 10
	PCS		PCS
	PCS		PCS

1:25



NET OPTIONS

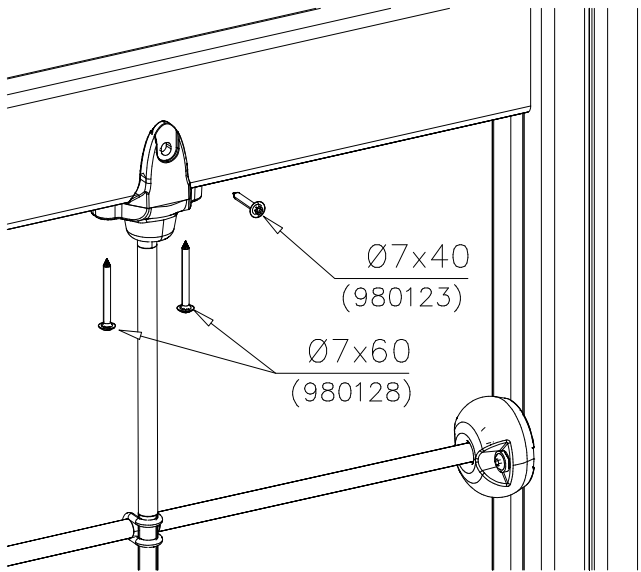
707285



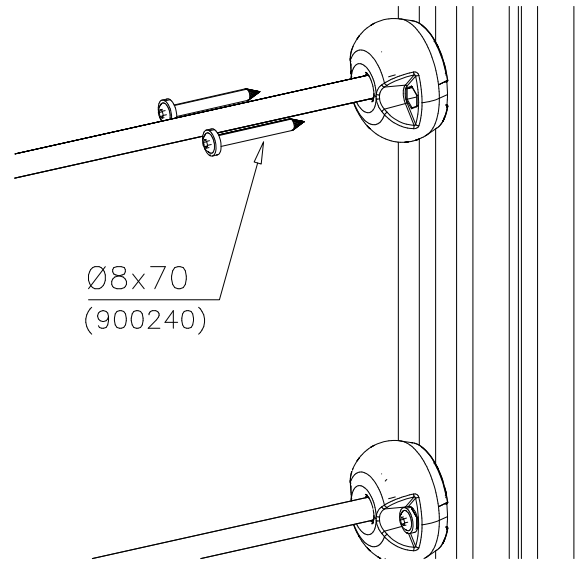
1600x2305

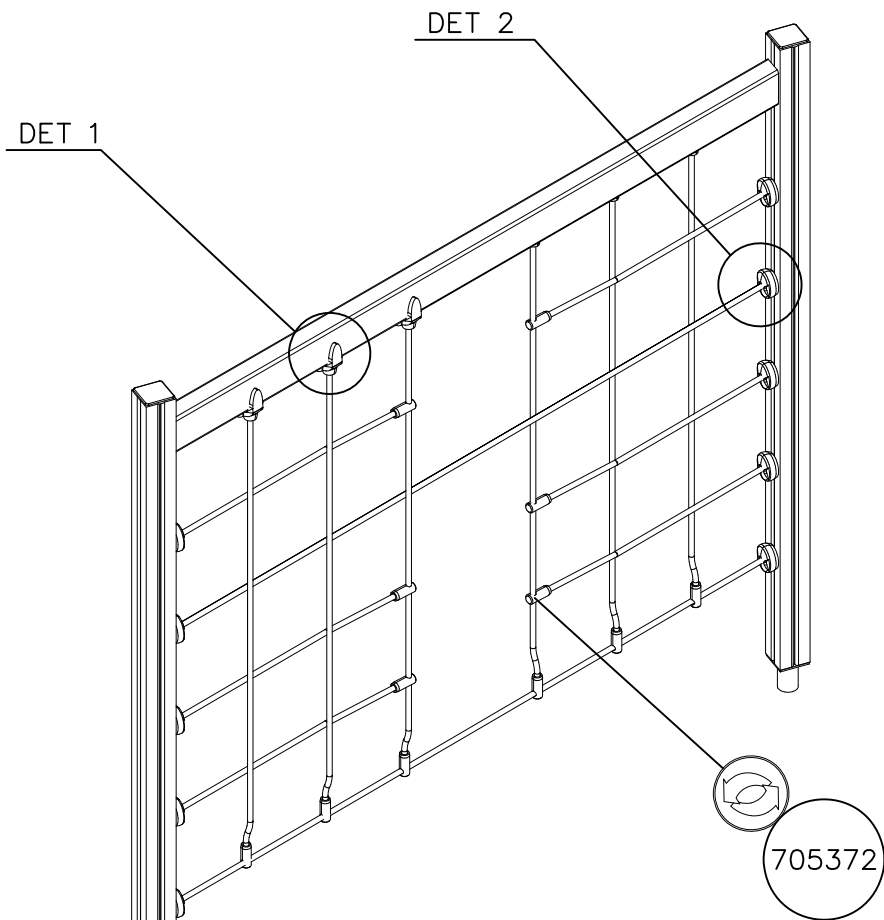
- |            |        |
|------------|--------|
| 707285-301 | BLUE   |
| 707285-302 | RED    |
| 707285-303 | BEIGE  |
| 707285-304 | GREY   |
| 707285-305 | BLACK  |
| 707285-306 | YELLOW |

DET 1



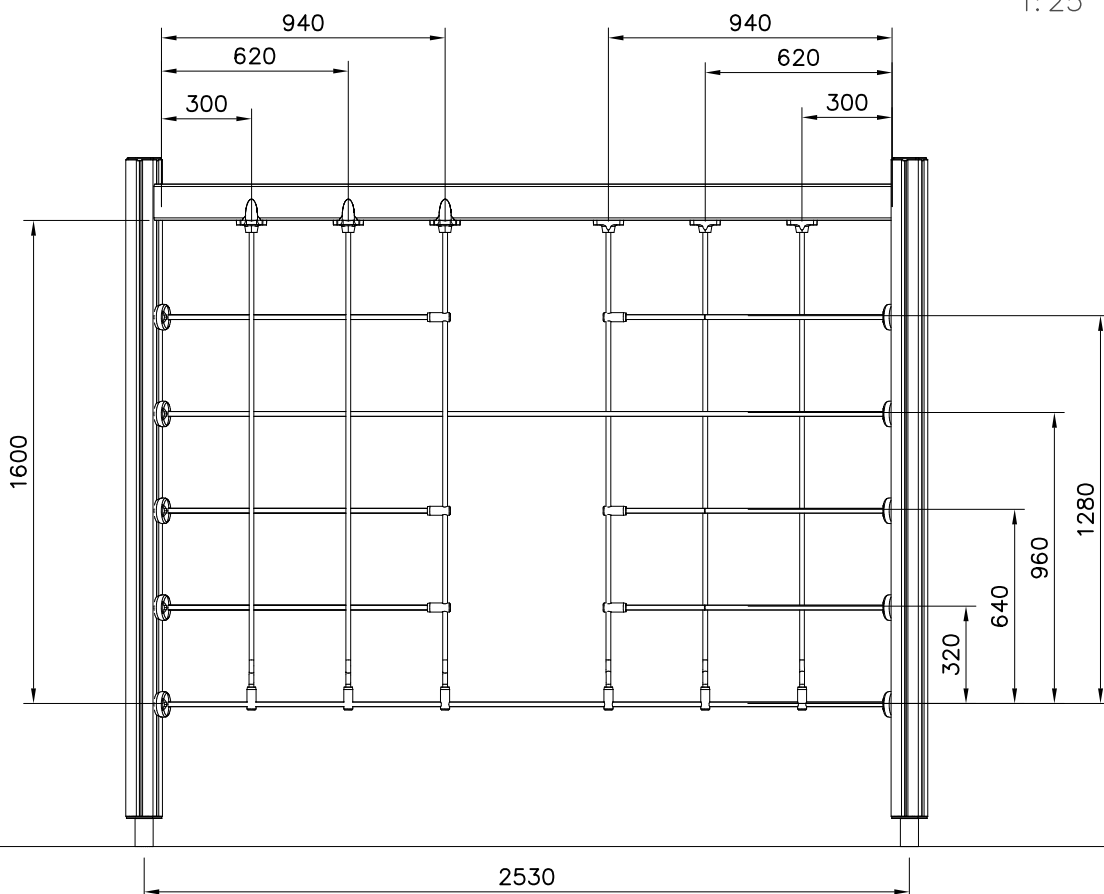
DET 2





① 705372	PCS	② 900240	PCS
	1		20
1600x2440		Ø8x70	
③ 980128	PCS	④ 980123	PCS
	6		12
Ø7x40		Ø7x60	
	PCS		PCS
	PCS		PCS

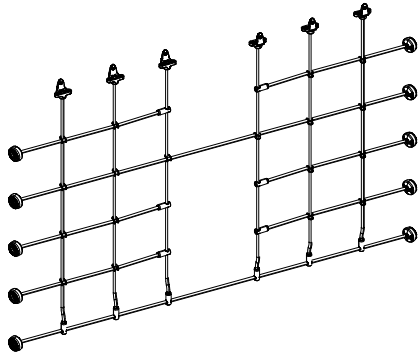
1:25





NET OPTIONS

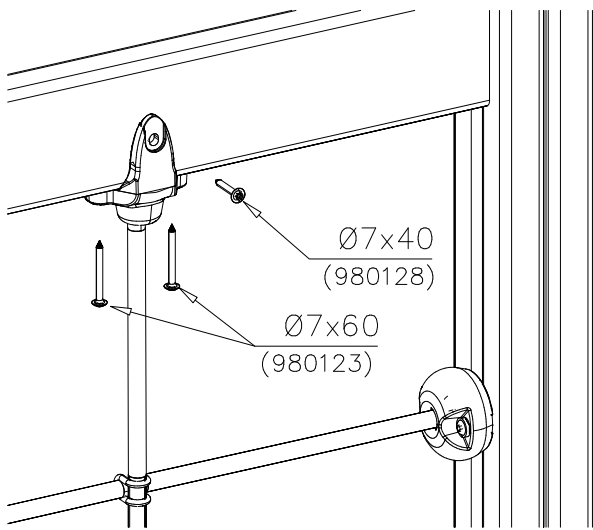
705372



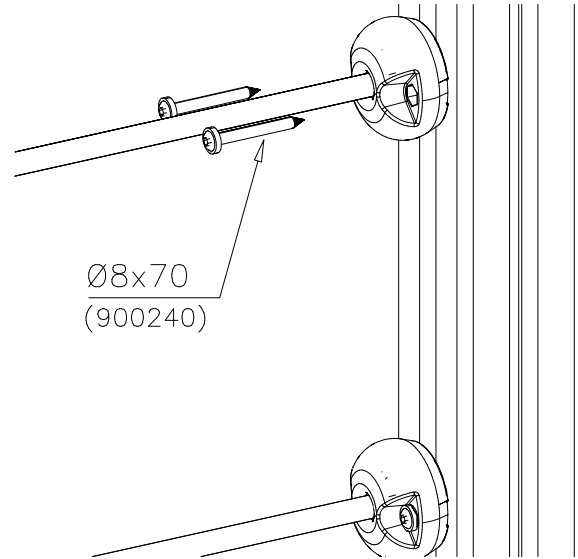
1600x2440

- |            |        |
|------------|--------|
| 705372-301 | BLUE   |
| 705372-302 | RED    |
| 705372-303 | BEIGE  |
| 705372-304 | GREY   |
| 705372-305 | BLACK  |
| 705372-306 | YELLOW |

DET 1

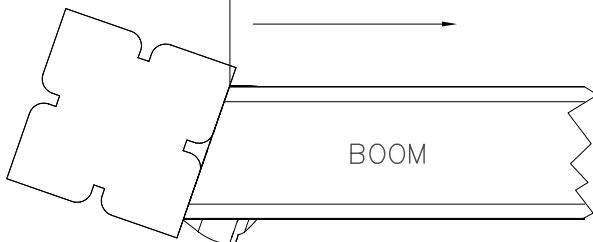
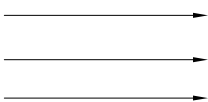


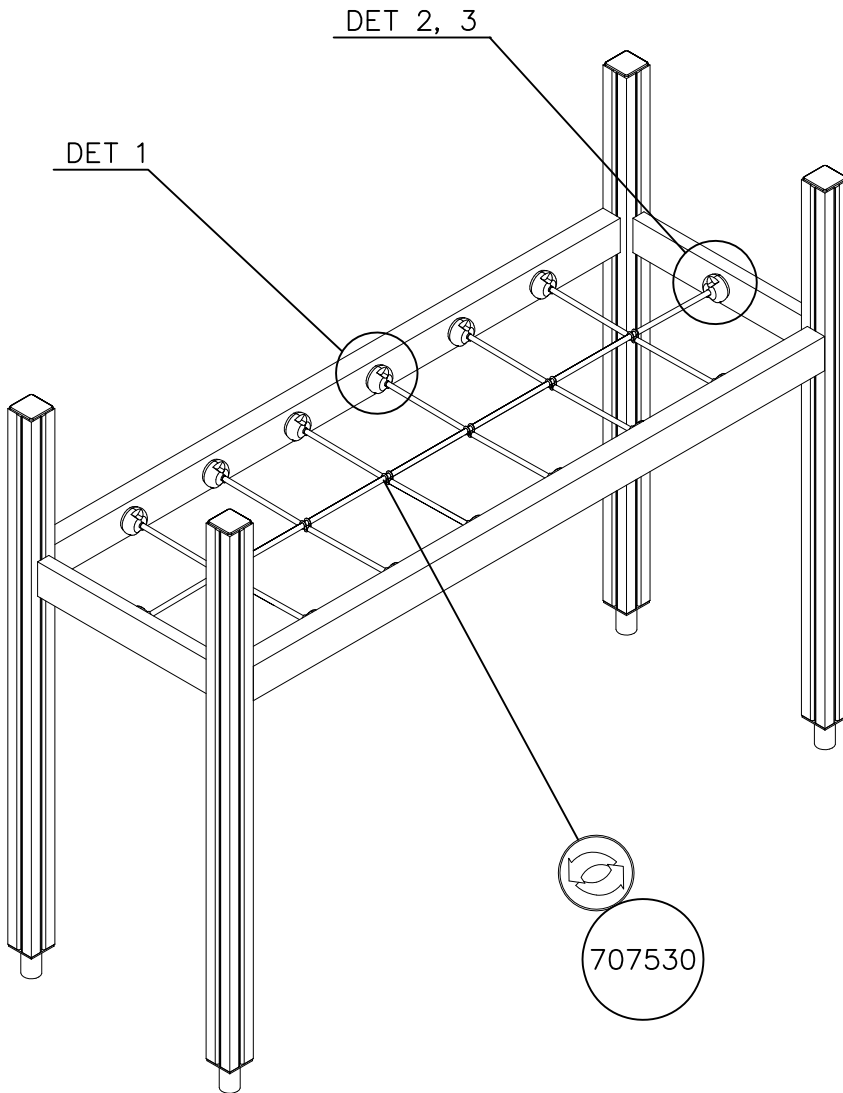
DET 2

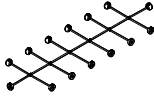

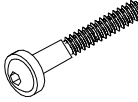



INFO:

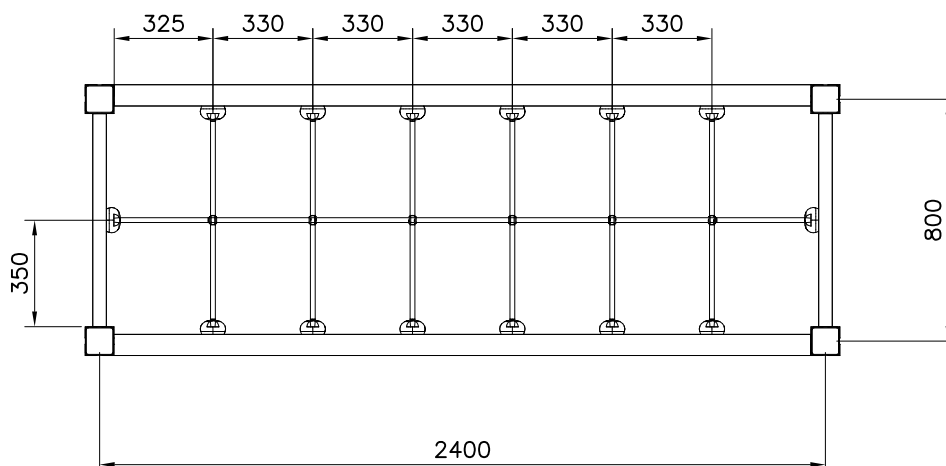
Asennusmitta /  
Installation  
dimension





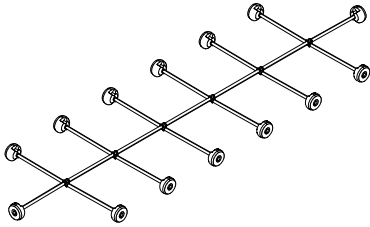
① 707530	PCS	② 900240	PCS
	1		24
755x2355		Ø8x70	
③ 909867	PCS	④ 980150	PCS
	4		10
M8x70		M8	
	PCS		PCS
	PCS		PCS

1:25



NET OPTIONS

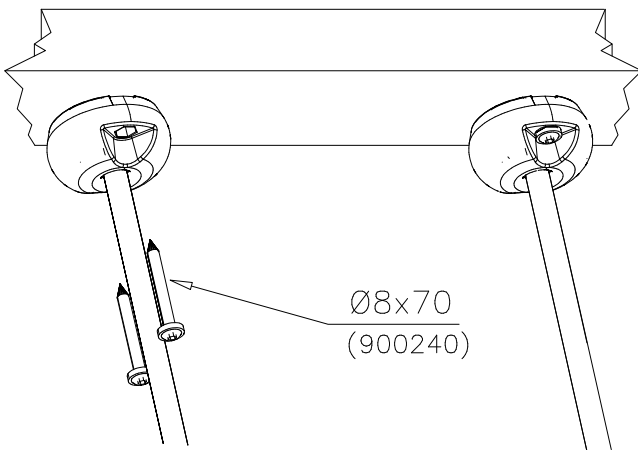
707530



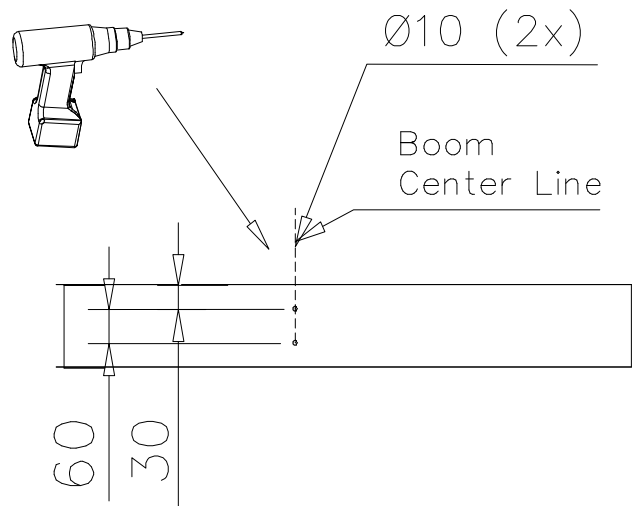
755x2355

- |            |        |
|------------|--------|
| 707530-301 | BLUE   |
| 707530-302 | RED    |
| 707530-303 | BEIGE  |
| 707530-304 | GREY   |
| 707530-305 | BLACK  |
| 707530-306 | YELLOW |

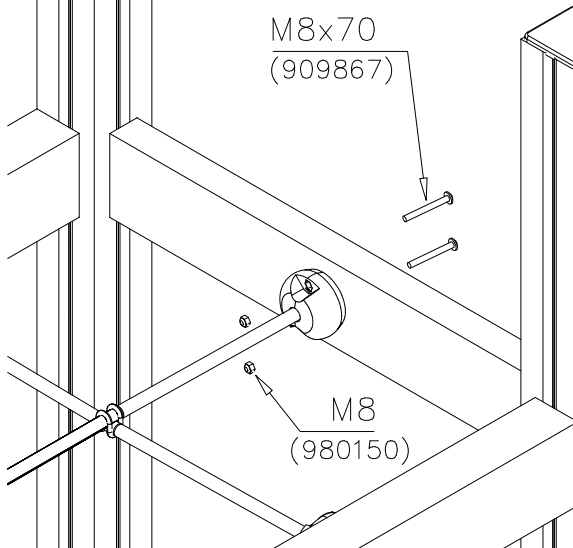
DET 1



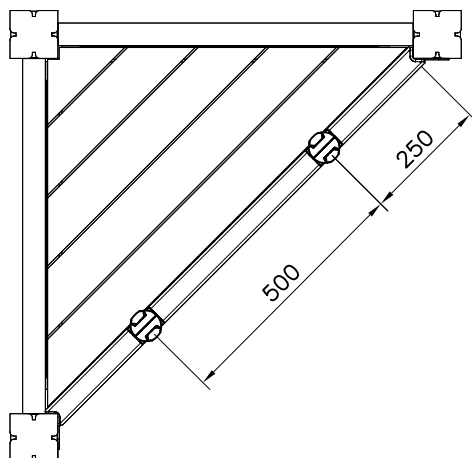
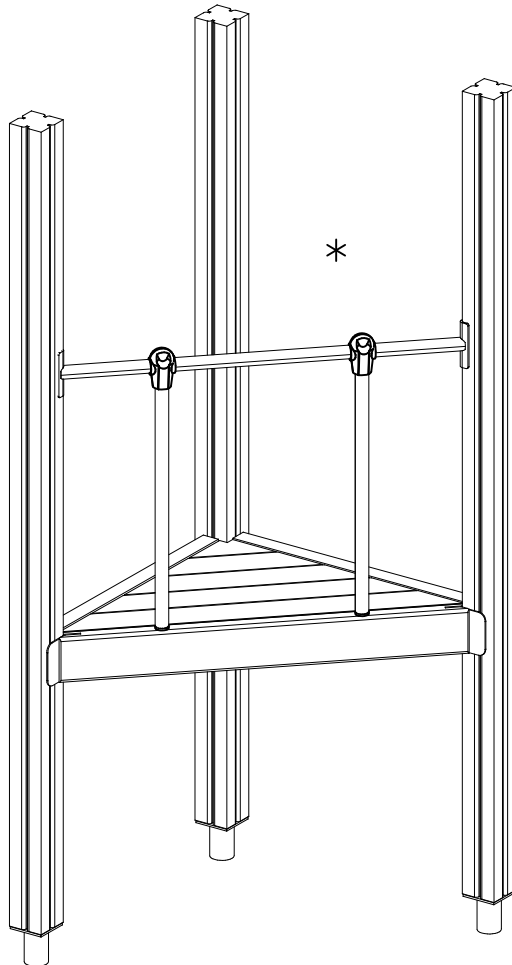
DET 2





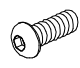



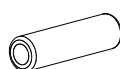






DET 3

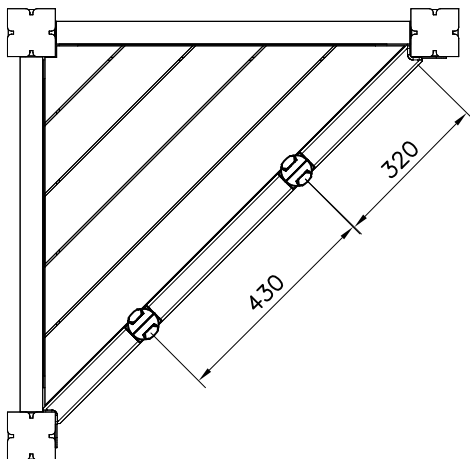
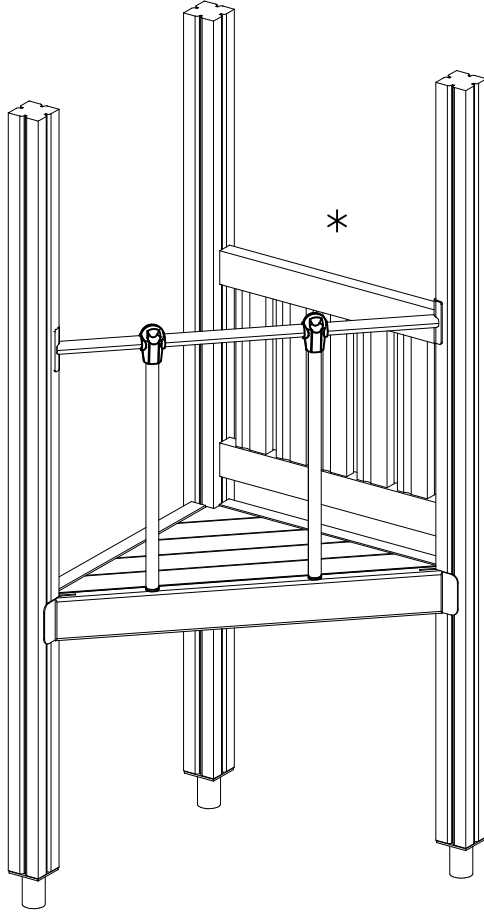


OPTION 1. No wall on the sides

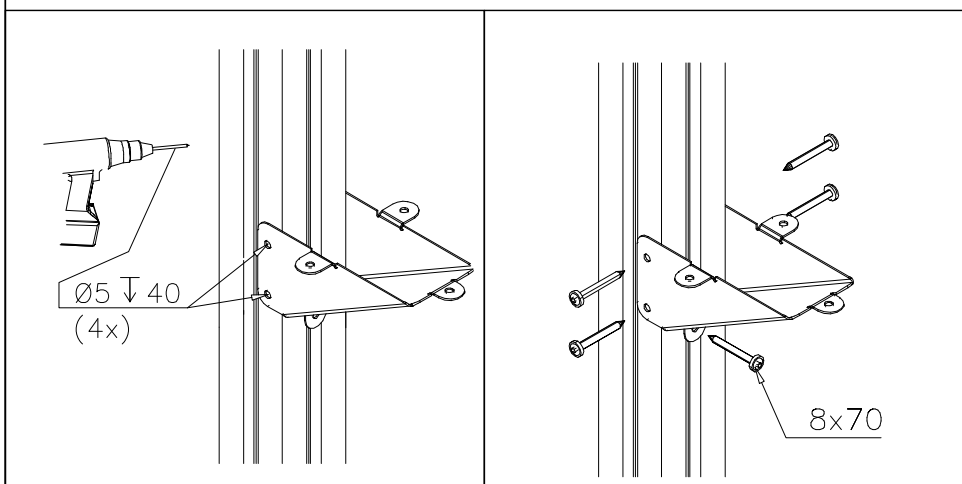
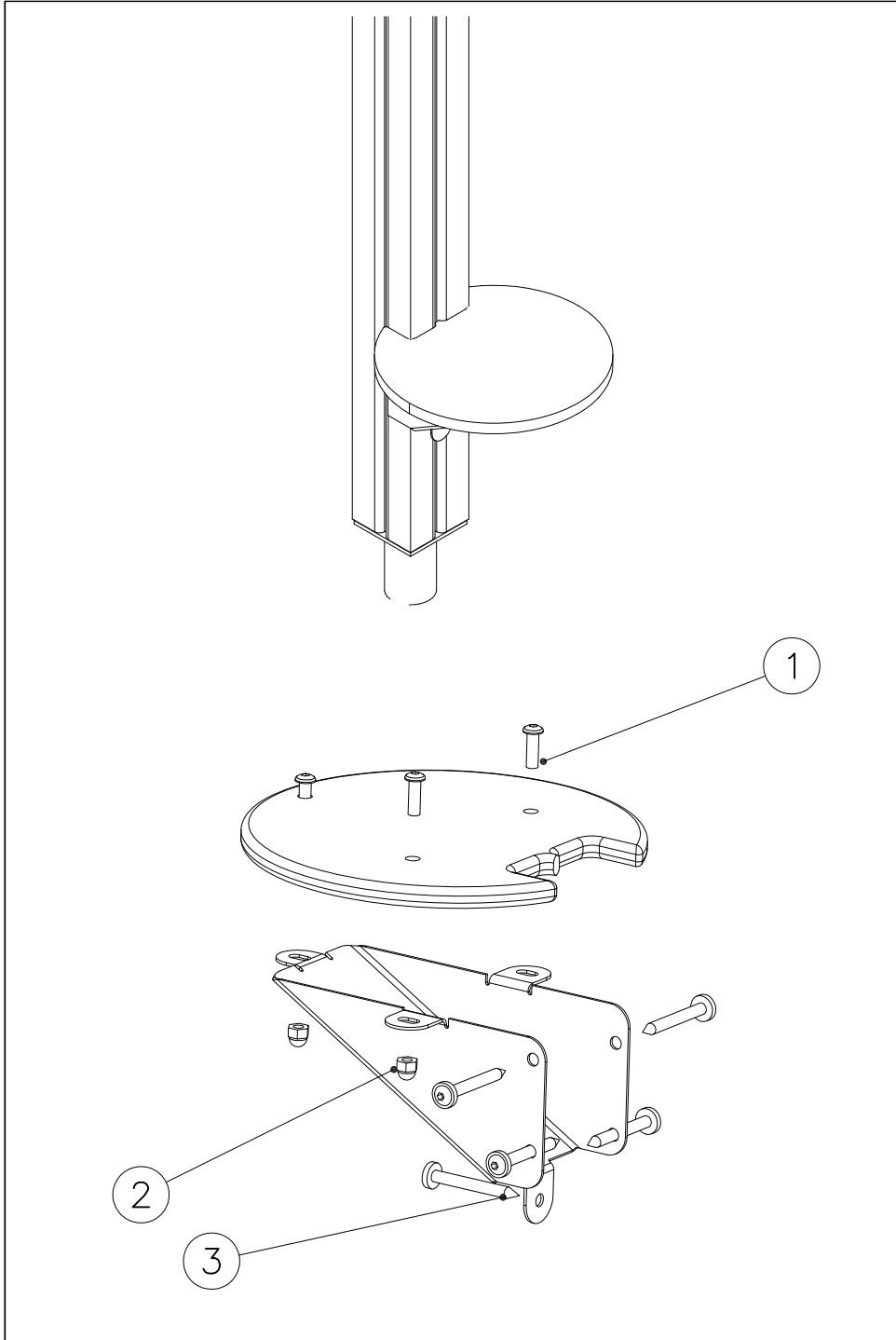


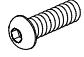


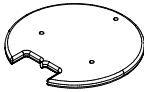
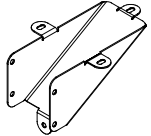
①	980128	PCS	②	909256	PCS
		4			4
	93x93x2150			Ø16/8.4	
③	908057	PCS	④	903093	PCS
		2			2
	Ø32/29-L5/30			Ø8x90	
⑤	900342	PCS	⑥	901900	PCS
		4			4
	M8x16			20.5x36.2x56	
⑦	909850	PCS	⑧	980150	PCS
		2			2
	M8x25			M8	
⑨	901182	PCS	⑩	901902	PCS
		2			4
	Ø11/M8x40			30.7x60.9x100	
		PCS			PCS
		PCS	○	908044	PCS
					2
				Ø33.7x679	
○	911529	PCS	○	907920	PCS
		1			1
		OR			

OPTION 2. Wall on either side (move vertical bar 70mm)







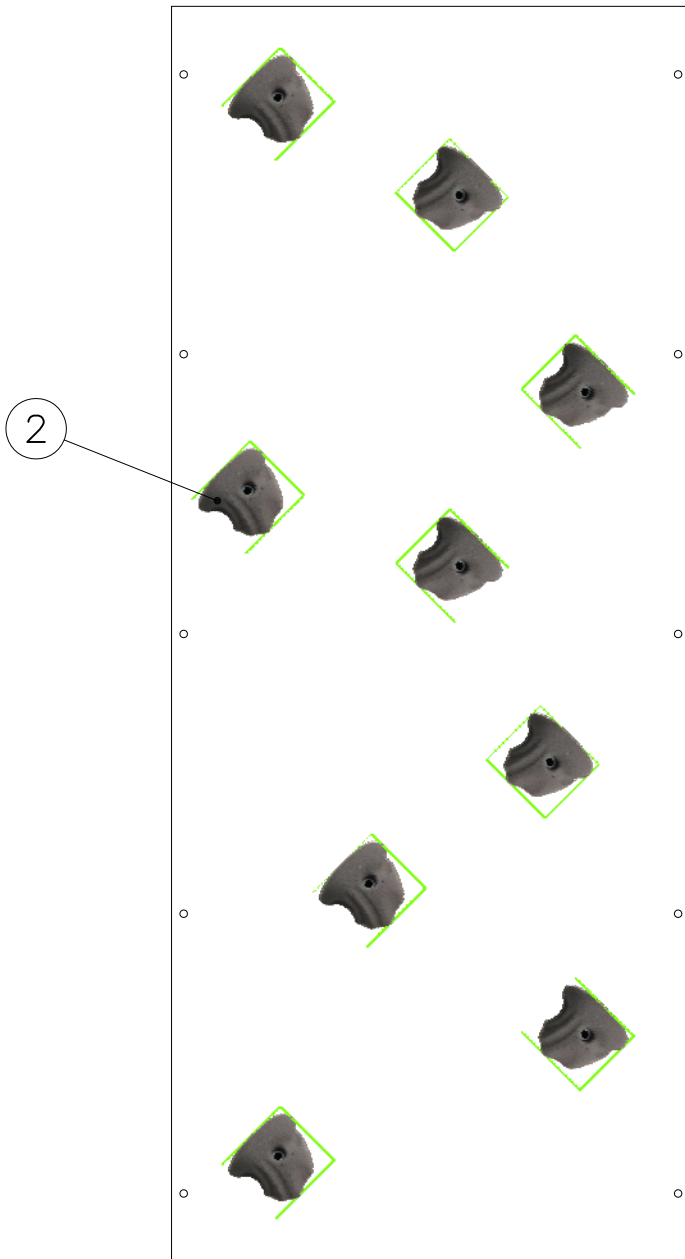
①	909850	PCS	②	909633	PCS
		3			3
	M8x25			M8	
③	900240	PCS			PCS
		5			
	Ø8x70				
		PCS			PCS
○	707696	PCS	○	902086	PCS
		1			1
	15x265x275			148x172x254	
		PCS			PCS
		PCS			PCS
		PCS			PCS
		PCS			PCS

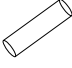
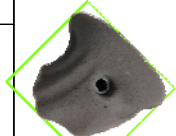
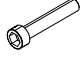
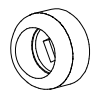






① 900240	PCS	② 900727	PCS
	1		1
Ø8x70		M10x80	
	PCS		PCS
③ 907688	PCS	③ 907701	PCS
	1		1
765		545	
	PCS		PCS
	PCS		PCS
	PCS		PCS
	PCS		PCS







①	904336	PCS	②*	906746	PCS
		9			9
					
	Ø6x20		Size L, Grey		
③	902232	PCS	④	905090	PCS
		9			9
					
	M10x55		Ø45		
⑤	901302	PCS	⑥	909637	PCS
		9			9
					
	Ø20/10.5		M10		
⑦	905115	PCS			PCS
		9			
					
	Ø30				
		PCS			PCS
		PCS			PCS
○	706646	PCS			PCS
		1			
					
	12x686x1660				
		PCS			PCS

HUOM!

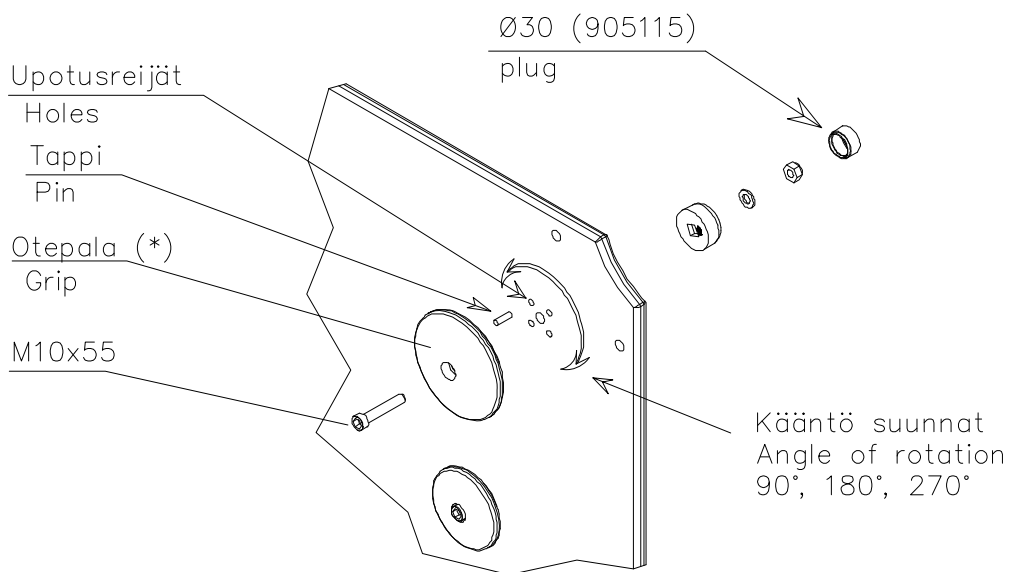
Otepalan asennus, säätö tai paikan vaihto.  
Säätömahdollisuus (90°,180°,270°).

Jos asennetun otepalan suuntaa- tai paikkaa halutaan muuttaa. Irrota otepalan kiinnityspultti ja otepala, käännä tai vaihda. Siirrä tarvittaessa tappi oikeaan upotusreikään. Asenna avatut osat paikoilleen ja lopuksi kiinnitä muovitulppa Ø30 paikoilleen kaikkiin otekokoonpanoihin.

NOTE:

Grip positions and angles are adjustable (90°,180°270°).

Grip can be repositioned by removing the fastening bolt and pulling the grip off.  
Securing pin can be repositioned when angle is changed.  
After the parts are reassembled. Finish the assembly by fastening the cover plugs (Ø30).





## Tuotekyltti tulee tuotteen mukana yhdellä seuraavista tavoista:

### 1) Metallinen tuotekyltti ja kiinnitysruuvit

- Kiinnitä tuotekyltti ruuveilla tolppaan noin 2 metrin korkeuteen kuvan 1 mukaisesti.

### 2) Tuotekylttitarra

- Puhdista maalattu metalli- tai vaneripinta pölystä ja kosteudesta. Liimaa tarra kuvan 2 mukaisesti.
- Huom. Älä kiinnitä tarraa karheapintaiseen laminaattiin tai maalattuun puuhun.

## Vår produktmärkning levereras på ett av följande sätt:

### 1) Produktskylt i metall

- Fäst skylten med de medföljande skruvarna

### 2) Självhäftande produktetikett

- Rengör den pulverlackerade metallytan eller laminatyten så att den blir fri från smuts och fukt. Fäst etiketten enligt fig. 2.
- Obs! Fäst ej etiketten på detaljer med skrovlig yta eller på målat trä.

## Product label is delivered by one of following ways:

### 1) Metal product label and screws

- Fasten the label with screws.

### 2) Label sticker

- Clean the painted metal or plywood surface from dirt and moisture. Fasten the sticker as shown in the figure 2.
- Note. Do not attach the sticker to rough surfaced laminate or painted wood.

## La plaque d'informations produit est livrée sous l'une de ces 3 formes :

### 1) Plaque métallique et vis

- Fixez la plaque à l'aide des vis.

### 2) Etiquette autocollante

- Avant de coller l'étiquette, nettoyez le composant métallique peint ou la plaque de contreplaqué, de toute saleté. La surface doit être sèche (voir image 2).
- Attention, ne pas coller l'étiquette sur une surface lamellé-collée irrégulière ou sur du bois peint.

## Die Auslieferung des Produktaufklebers erfolgt auf eine dieser Arten:

### 1) Produkt-Schild aus Metall incl. Schrauben

- Die Befestigung des Schildes erfolgt mittels der Schrauben.

### 2) Aufkleber

- Entfernen Sie zunächst Schmutz und Feuchtigkeit vom lackierten Metall bzw. von der Holzoberfläche und bringen Sie den Aufkleber wie im Bild oben rechts beschrieben auf den gesäuberten Untergrund auf.
- Beachten Sie: Bringen Sie den Aufkleber nicht auf raues laminiertes oder lackiertes Holz an.