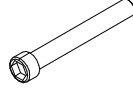

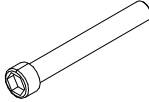

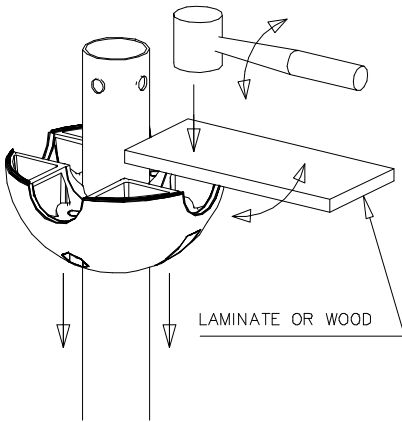


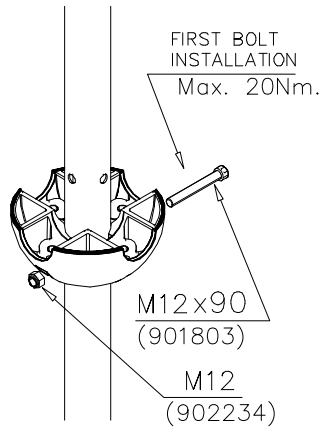
DO NOT TIGHTEN THE JOINTS UNTIL THE STRUCTURE IS COMPLETE.

| | | | |
|---|-----|---|-----|
| ① 901803 | PCS | ② 901994 | PCS |
|  | 2 |  | 2 |
| M12x90 | | Ø190 | |
| ③ 902096 | PCS | ④ 902234 | PCS |
|  | 4 |  | 6 |
| M12x120 | | M12 | |
| | PCS | | PCS |
| | | | |
| | PCS | | PCS |
| | | | |
| | PCS | | PCS |
| | | | |
| | PCS | | PCS |
| | | | |
| | PCS | | PCS |
| | | | |
| | PCS | | PCS |
| | | | |

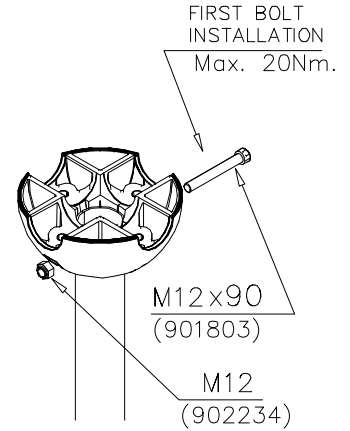
DET 1



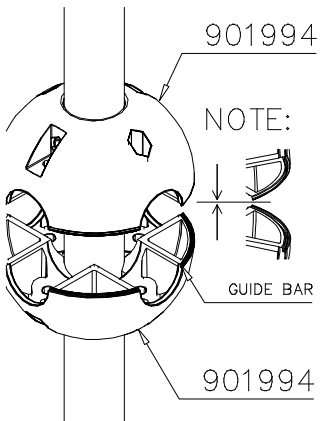
DET 2



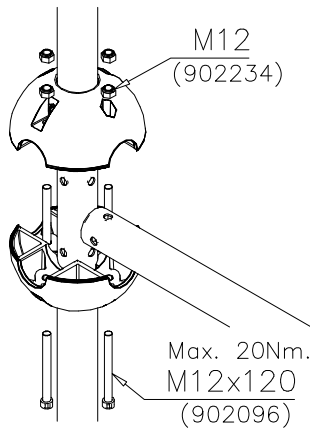
DET 3



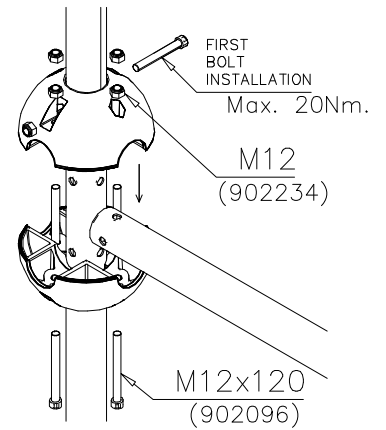
DET 4



DET 5

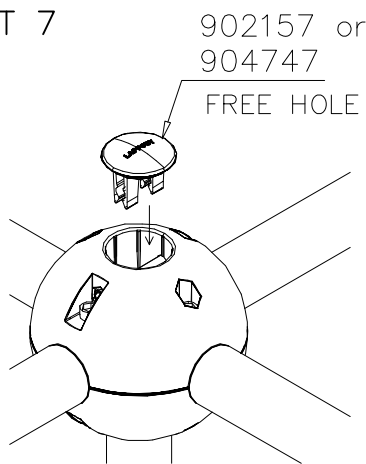


DET 6



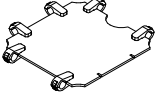
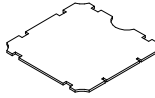
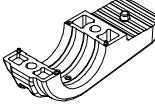
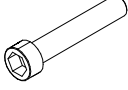
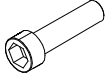
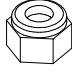
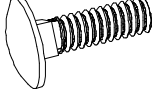
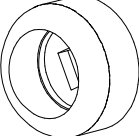

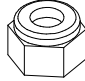

REMEMBER
FINAL
TIGHTENING

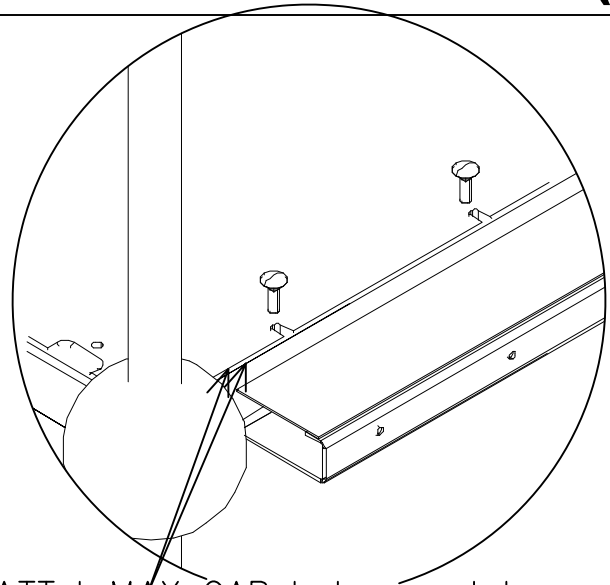
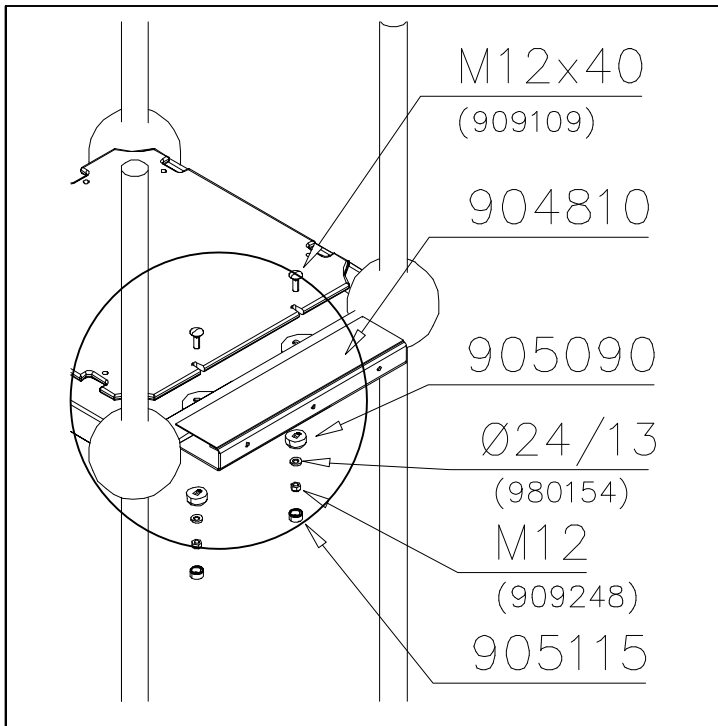
DET 7



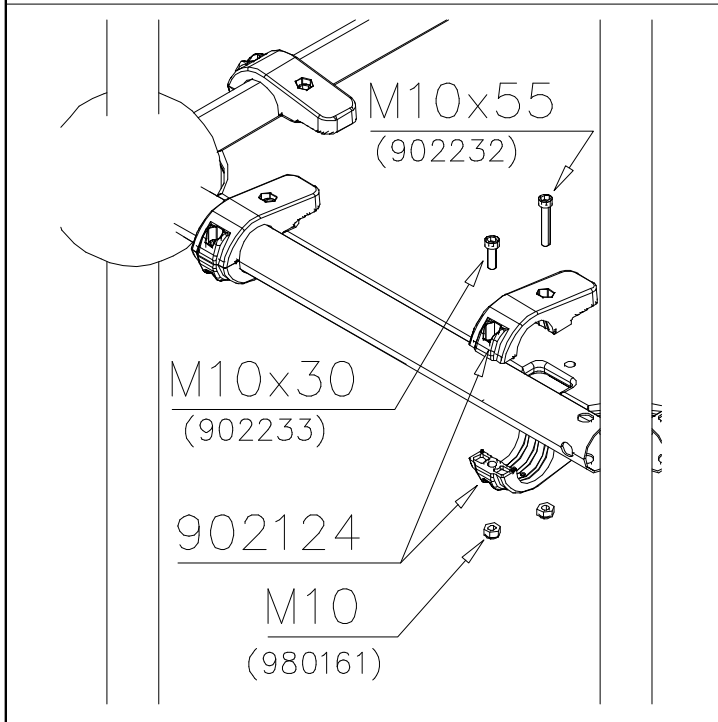
DET 8



| | | | | | | | | | | | | |
|--|---|---------------------|--|----------------------|---|---------------------|--|---------------------|--|----------------------|--|---------------------|
|  <p>A00796</p> |  <p>P05270</p> | <p>PCS</p> <p>1</p> |  <p>902124</p> <p>150x50x50</p> | <p>PCS</p> <p>12</p> |  <p>902232</p> <p>M10x55</p> | <p>PCS</p> <p>6</p> |  <p>902233</p> <p>M10x30</p> | <p>PCS</p> <p>6</p> |  <p>980161</p> <p>M10</p> | <p>PCS</p> <p>12</p> | | <p>PCS</p> |
| | | <p>PCS</p> |  <p>909109</p> <p>M12x40</p> | <p>PCS</p> <p>2</p> |  <p>905090</p> <p>Ø45</p> | <p>PCS</p> <p>2</p> |  <p>980154</p> <p>Ø24/13</p> | <p>PCS</p> <p>2</p> |  <p>909248</p> <p>M12</p> | <p>PCS</p> <p>2</p> |  <p>905115</p> <p>Ø32</p> | <p>PCS</p> <p>2</p> |
| | | <p>PCS</p> | | <p>PCS</p> | | <p>PCS</p> | | <p>PCS</p> | | <p>PCS</p> | | <p>PCS</p> |
| | | <p>PCS</p> | | <p>PCS</p> | | <p>PCS</p> | | <p>PCS</p> | | <p>PCS</p> | | <p>PCS</p> |
| | | <p>PCS</p> | | <p>PCS</p> | | <p>PCS</p> | | <p>PCS</p> | | <p>PCS</p> | | <p>PCS</p> |
| | | <p>PCS</p> | | <p>PCS</p> | | <p>PCS</p> | | <p>PCS</p> | | <p>PCS</p> | | <p>PCS</p> |
| | | <p>PCS</p> | | <p>PCS</p> | | <p>PCS</p> | | <p>PCS</p> | | <p>PCS</p> | | <p>PCS</p> |

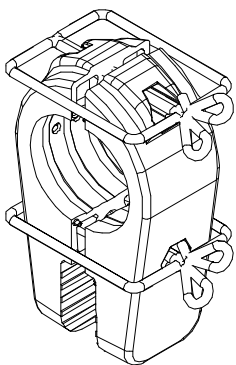
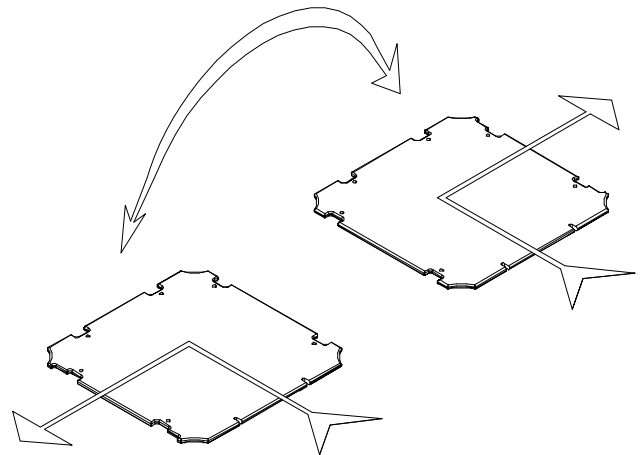


ATT ! MAX GAP between plate and tube is 6mm
 HUOM ! MAKSIMI VÄLI lattialevyllä ja putkella on 6mm



KÄYTÄ TARVITTAESSA SAMAA LEVYÄ VASEMALLE TAI OIKEALLE.

IF NECESSARY USE SAME PLATE LEFT OR RIGHT.



NOTE:

Use a wire marked pairs of the same junction.

Huom!

Käytä langalla merkittyä paria samassa liitoksessa.



Tuotekyltti tulee tuotteen mukana yhdellä seuraavista tavoista:

1) Metallinen tuotekyltti ja kiinnitysruuvit

- Kiinnitä tuotekyltti ruuveilla tolppaan noin 2 metrin korkeuteen kuvan 1 mukaisesti.

2) Tuotekylttitarra

- Puhdista maalattu metalli- tai vaneripinta pölystä ja kosteudesta. Liimaa tarra kuvan 2 mukaisesti.
- Huom. Älä kiinnitä tarraa karheapintaiseen laminaattiin tai maalattuun puuhun.

Vår produktmärkning levereras på ett av följande sätt:

1) Produktskylt i metall

- Fäst skylten med de medföljande skruvarna

2) Självhäftande produktetikett

- Rengör den pulverlackerade metallytan eller laminatyten så att den blir fri från smuts och fukt. Fäst etiketten enligt fig. 2.
- Obs! Fäst ej etiketten på detaljer med skrovlig yta eller på målat trä.

Product label is delivered by one of following ways:

1) Metal product label and screws

- Fasten the label with screws.

2) Label sticker

- Clean the painted metal or plywood surface from dirt and moisture. Fasten the sticker as shown in the figure 2.
- Note. Do not attach the sticker to rough surfaced laminate or painted wood.

La plaque d'informations produit est livrée sous l'une de ces 3 formes :

1) Plaque métallique et vis

- Fixez la plaque à l'aide des vis.

2) Etiquette autocollante

- Avant de coller l'étiquette, nettoyez le composant métallique peint ou la plaque de contreplaqué, de toute saleté. La surface doit être sèche (voir image 2).
- Attention, ne pas coller l'étiquette sur une surface lamellé-collée irrégulière ou sur du bois peint.

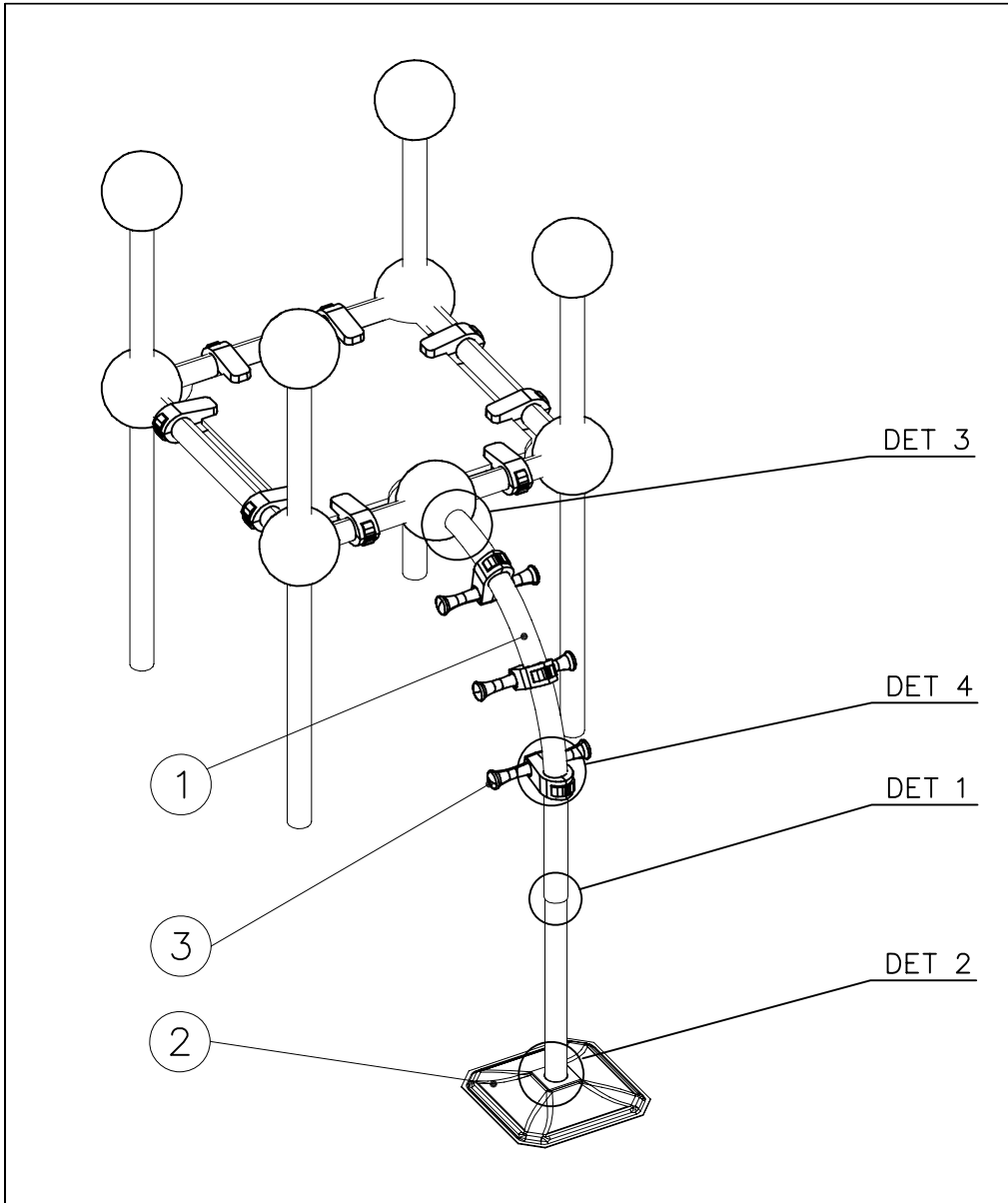
Die Auslieferung des Produktaufklebers erfolgt auf eine dieser Arten:

1) Produkt-Schild aus Metall incl. Schrauben

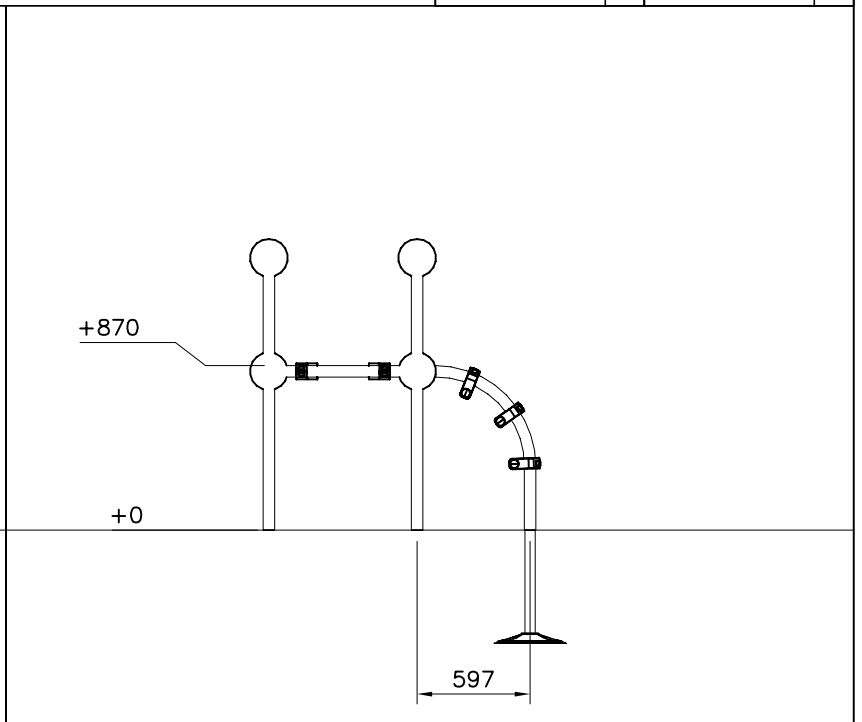
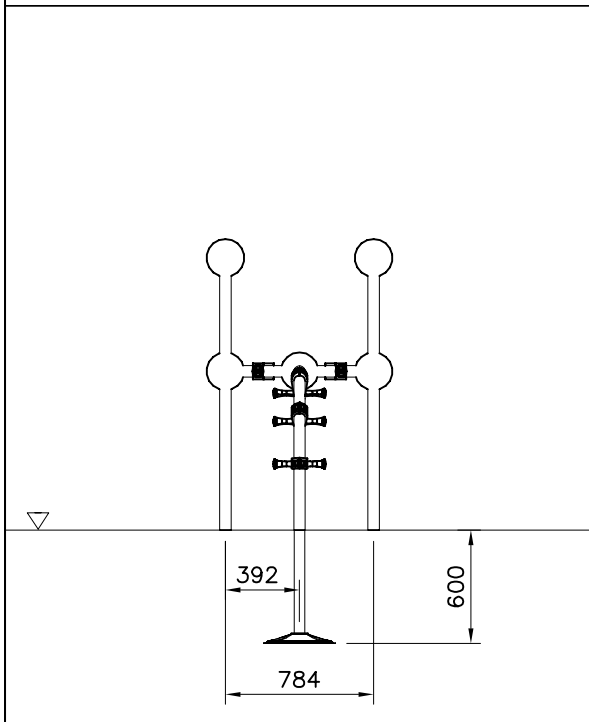
- Die Befestigung des Schildes erfolgt mittels der Schrauben.

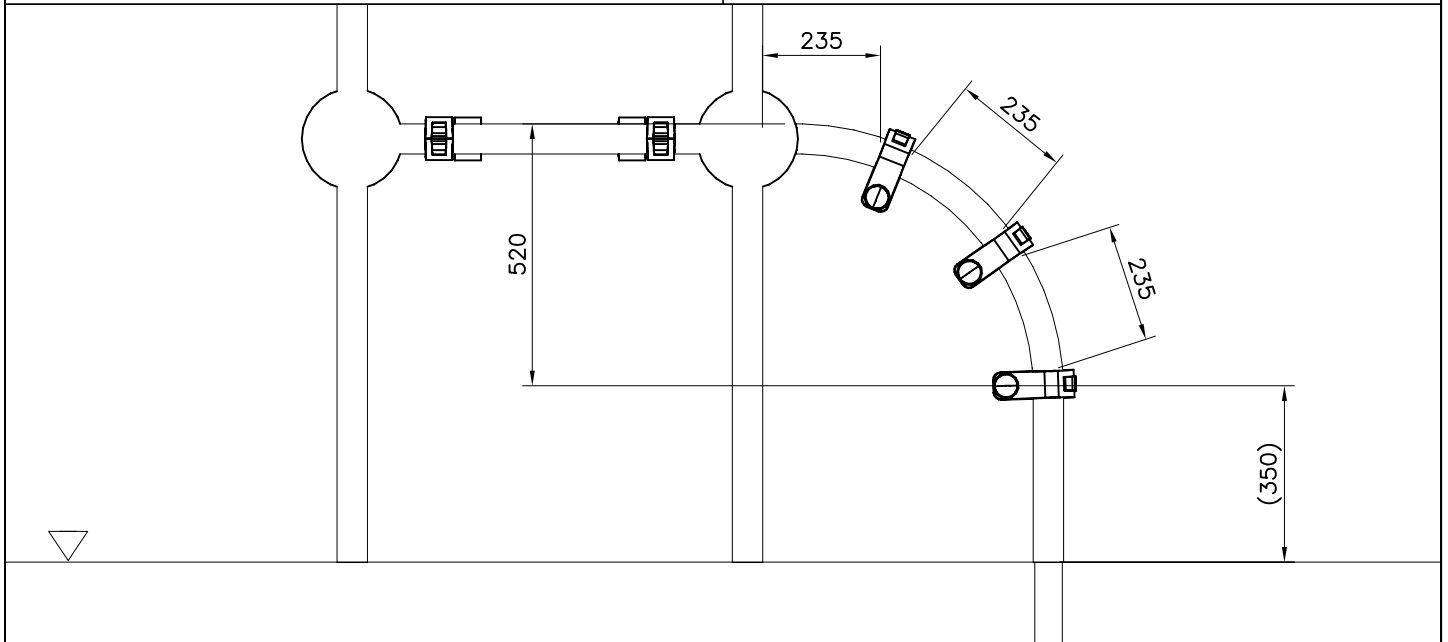
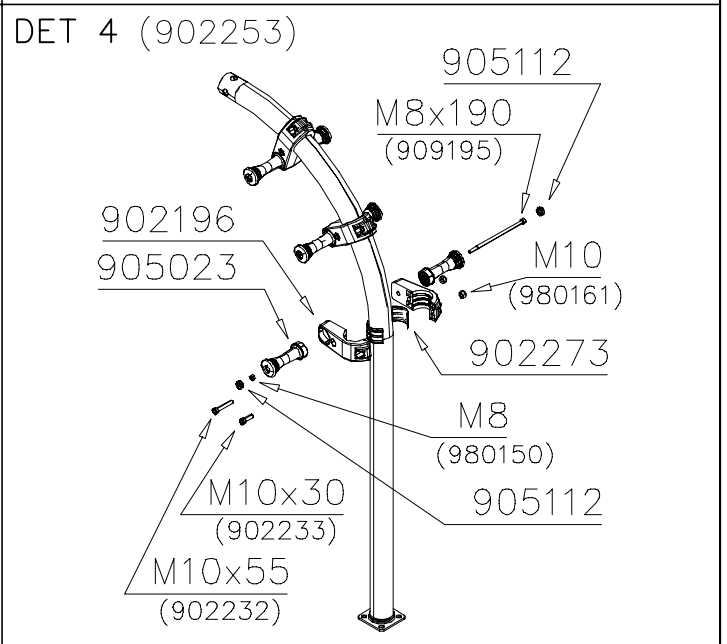
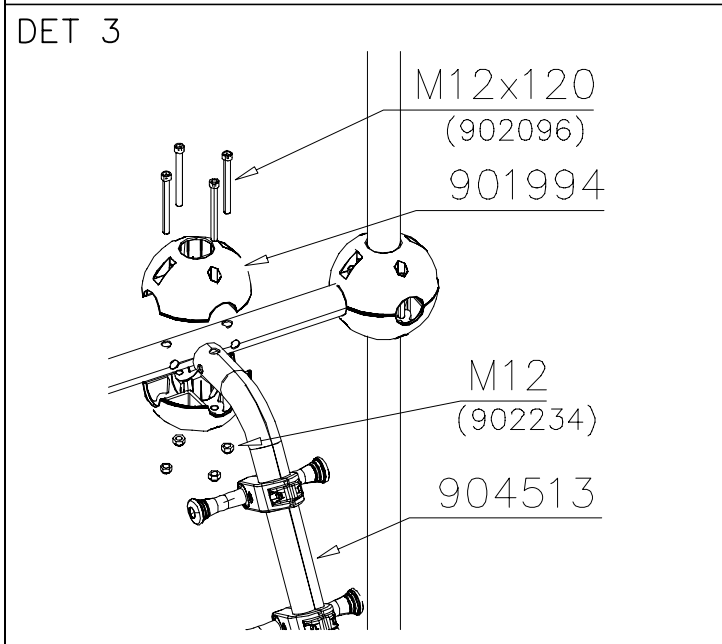
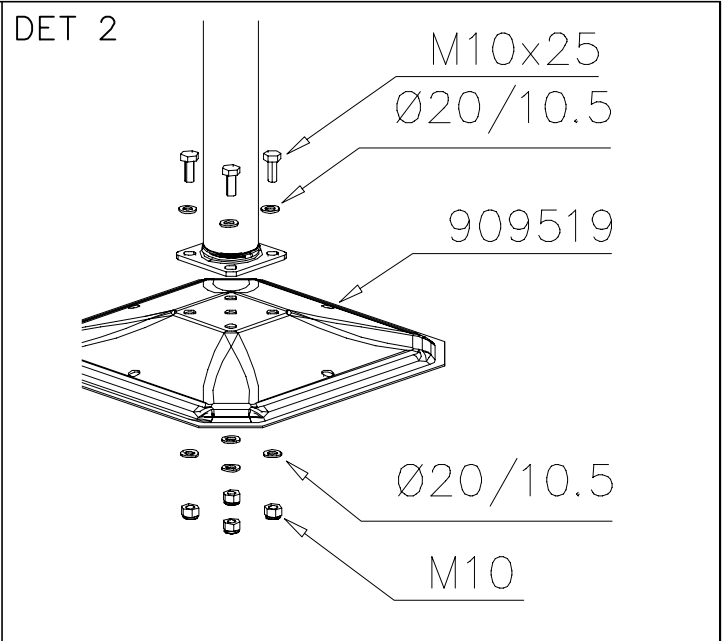
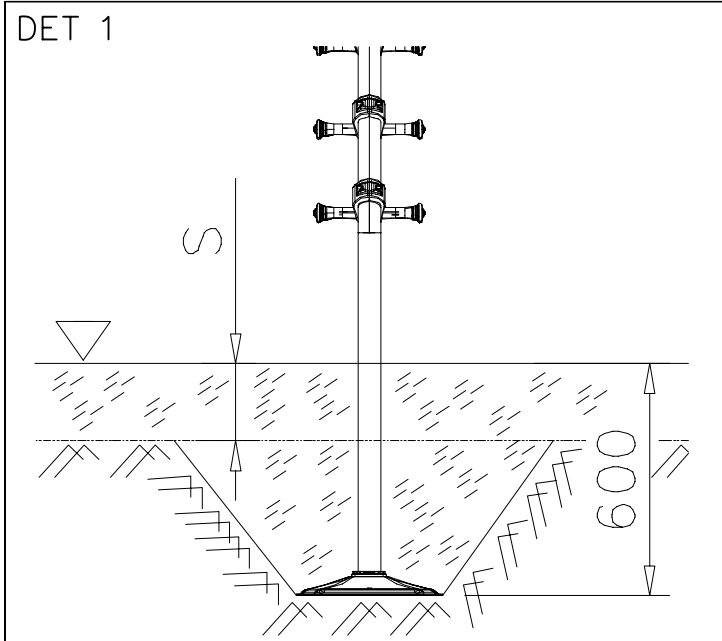
2) Aufkleber

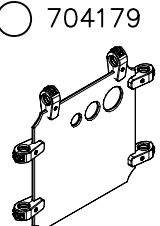
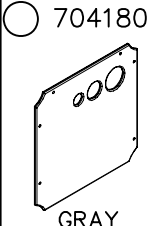
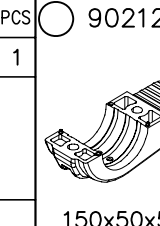
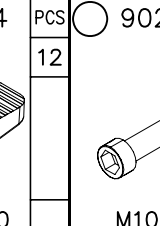
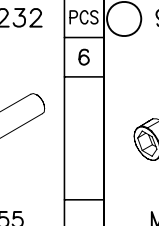
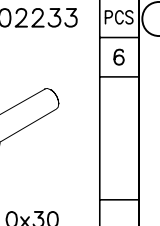
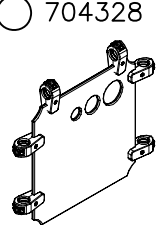
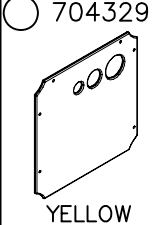
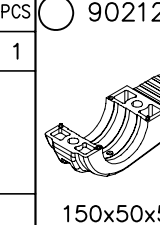
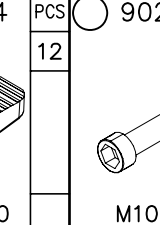
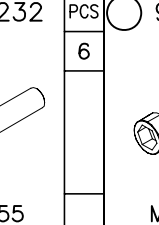
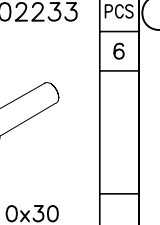
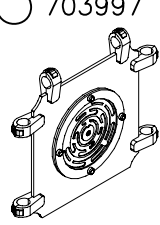
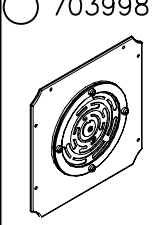
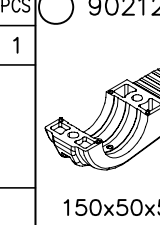
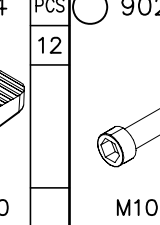
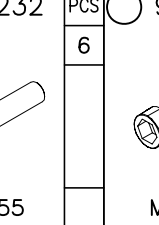
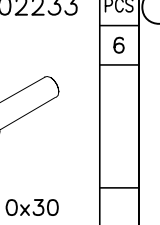
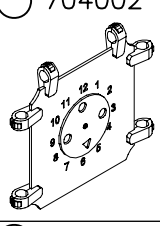
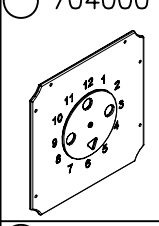
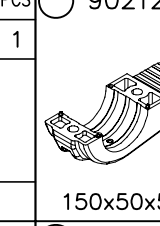
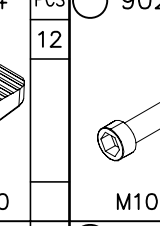
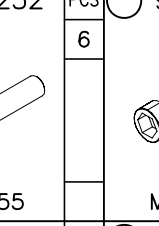
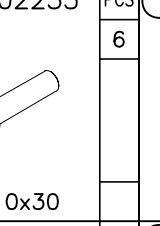
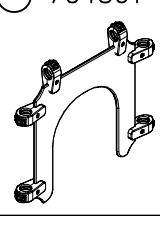
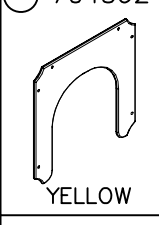
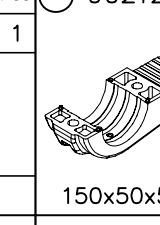
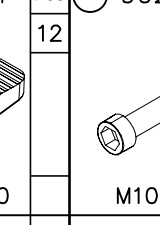
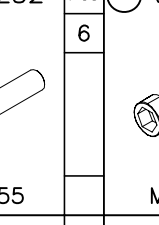
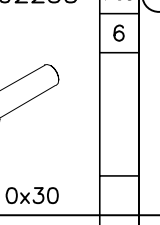
- Entfernen Sie zunächst Schmutz und Feuchtigkeit vom lackierten Metall bzw. von der Holzoberfläche und bringen Sie den Aufkleber wie im Bild oben rechts beschrieben auf den gesäuberten Untergrund auf.
- Beachten Sie: Bringen Sie den Aufkleber nicht auf raues laminiertes oder lackiertes Holz an.

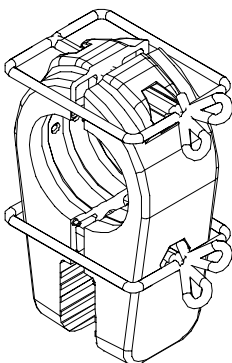
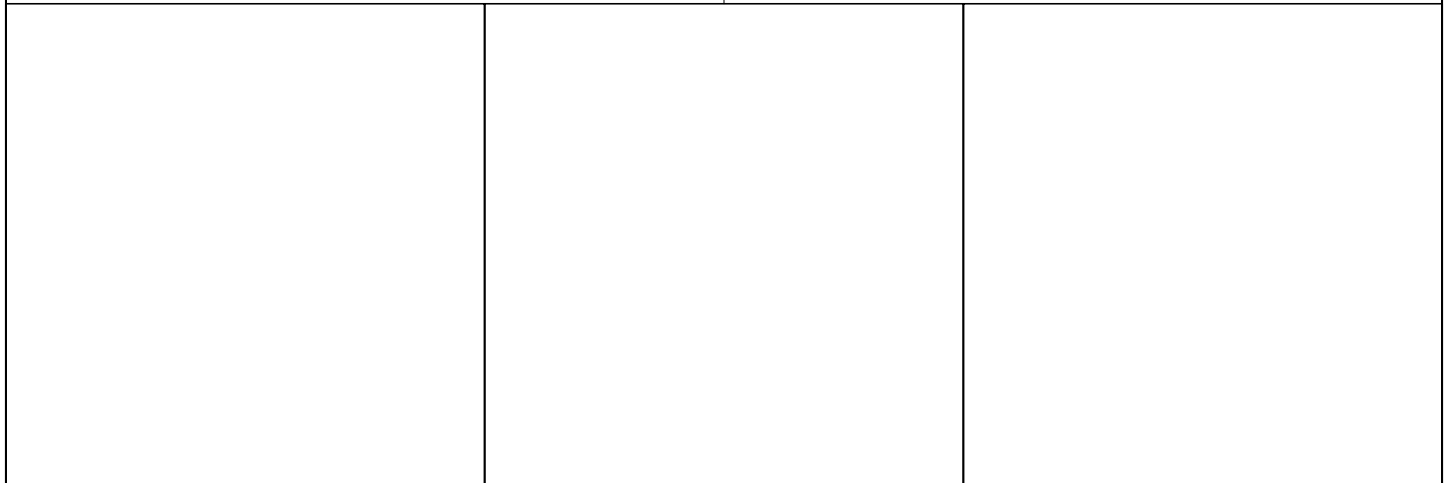
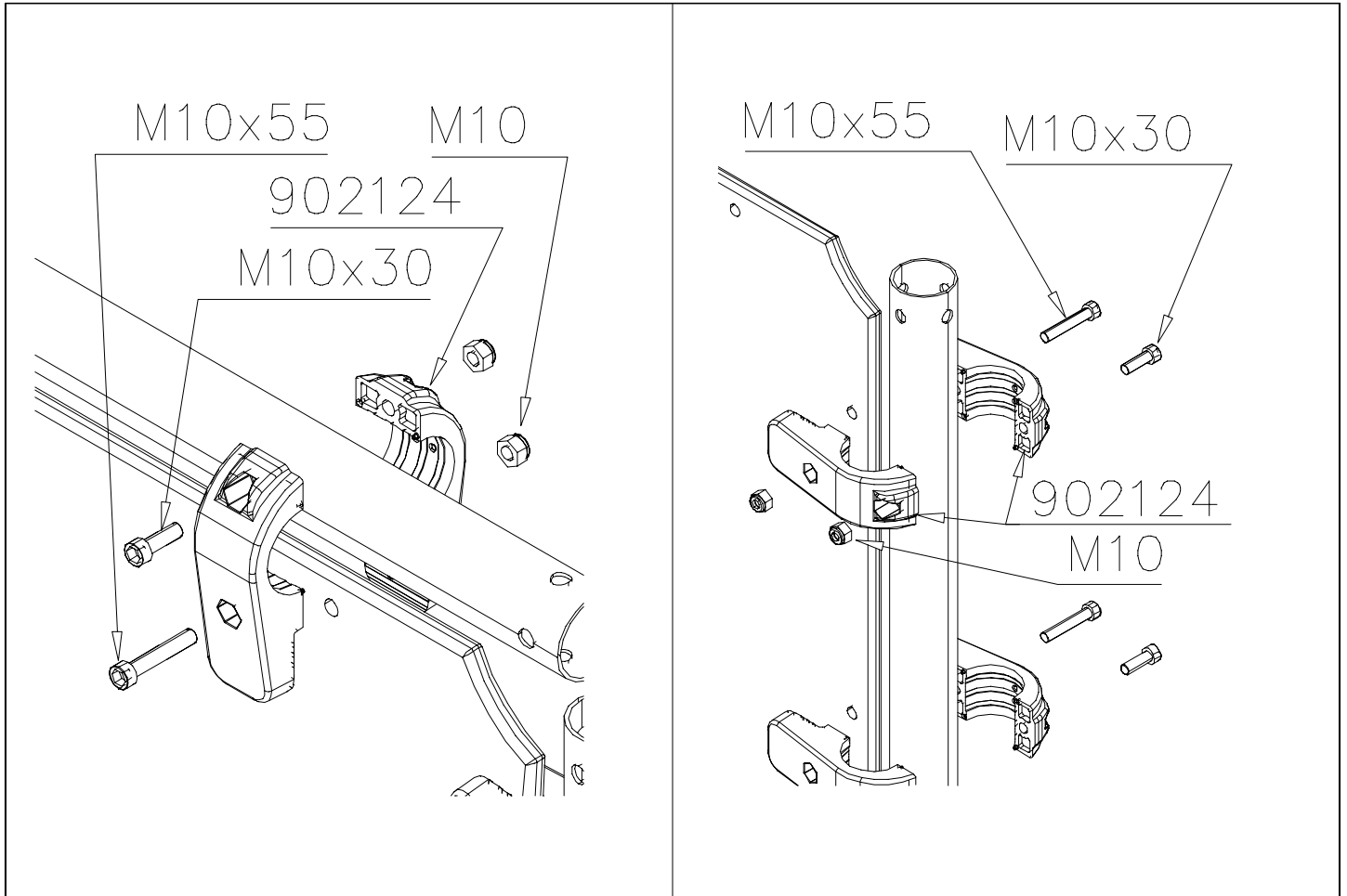


| | | | |
|----------|-----|------------|-----|
| ① 904513 | PCS | ② 909519 | PCS |
| | 1 | | 1 |
| | | 50x380x380 | |
| ③ 902253 | PCS | ④ 909637 | PCS |
| | 3 | | 4 |
| | | M10 | |
| ⑤ 909638 | PCS | ⑥ 909639 | PCS |
| | 8 | | 4 |
| | | M10x25 | |
| | PCS | | PCS |
| | | | |
| | PCS | | PCS |
| | | | |





| | | | | | | | | | | | | |
|--|--|---------------------|--|----------------------|---|---------------------|---|---------------------|---|----------------------|--|------------|
|  <p>704179</p> |  <p>704180 GRAY</p> | <p>PCS</p> <p>1</p> |  <p>902124</p> <p>150x50x50</p> | <p>PCS</p> <p>12</p> |  <p>902232</p> <p>M10x55</p> | <p>PCS</p> <p>6</p> |  <p>902233</p> <p>M10x30</p> | <p>PCS</p> <p>6</p> |  <p>980161</p> <p>M10</p> | <p>PCS</p> <p>12</p> | | <p>PCS</p> |
|  <p>704328</p> |  <p>704329 YELLOW</p> | <p>PCS</p> <p>1</p> |  <p>902124</p> <p>150x50x50</p> | <p>PCS</p> <p>12</p> |  <p>902232</p> <p>M10x55</p> | <p>PCS</p> <p>6</p> |  <p>902233</p> <p>M10x30</p> | <p>PCS</p> <p>6</p> |  <p>980161</p> <p>M10</p> | <p>PCS</p> <p>12</p> | | <p>PCS</p> |
|  <p>703997</p> |  <p>703998</p> | <p>PCS</p> <p>1</p> |  <p>902124</p> <p>150x50x50</p> | <p>PCS</p> <p>12</p> |  <p>902232</p> <p>M10x55</p> | <p>PCS</p> <p>6</p> |  <p>902233</p> <p>M10x30</p> | <p>PCS</p> <p>6</p> |  <p>980161</p> <p>M10</p> | <p>PCS</p> <p>12</p> | | <p>PCS</p> |
|  <p>704002</p> |  <p>704000</p> | <p>PCS</p> <p>1</p> |  <p>902124</p> <p>150x50x50</p> | <p>PCS</p> <p>12</p> |  <p>902232</p> <p>M10x55</p> | <p>PCS</p> <p>6</p> |  <p>902233</p> <p>M10x30</p> | <p>PCS</p> <p>6</p> |  <p>980161</p> <p>M10</p> | <p>PCS</p> <p>12</p> | | <p>PCS</p> |
|  <p>704361</p> |  <p>704362 YELLOW</p> | <p>PCS</p> <p>1</p> |  <p>902124</p> <p>150x50x50</p> | <p>PCS</p> <p>12</p> |  <p>902232</p> <p>M10x55</p> | <p>PCS</p> <p>6</p> |  <p>902233</p> <p>M10x30</p> | <p>PCS</p> <p>6</p> |  <p>980161</p> <p>M10</p> | <p>PCS</p> <p>12</p> | | <p>PCS</p> |
| | | <p>PCS</p> | | <p>PCS</p> | | <p>PCS</p> | | <p>PCS</p> | | <p>PCS</p> | | <p>PCS</p> |
| | | <p>PCS</p> | | <p>PCS</p> | | <p>PCS</p> | | <p>PCS</p> | | <p>PCS</p> | | <p>PCS</p> |
| | | <p>PCS</p> | | <p>PCS</p> | | <p>PCS</p> | | <p>PCS</p> | | <p>PCS</p> | | <p>PCS</p> |

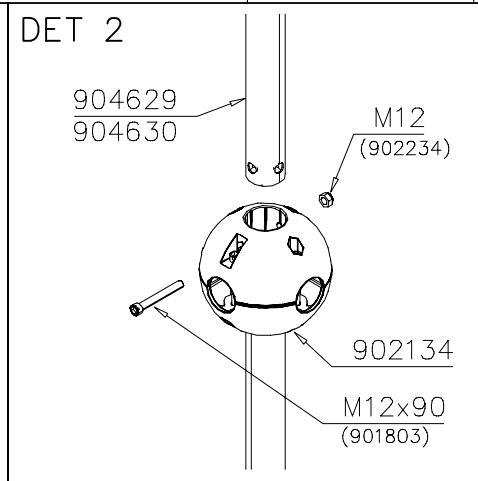
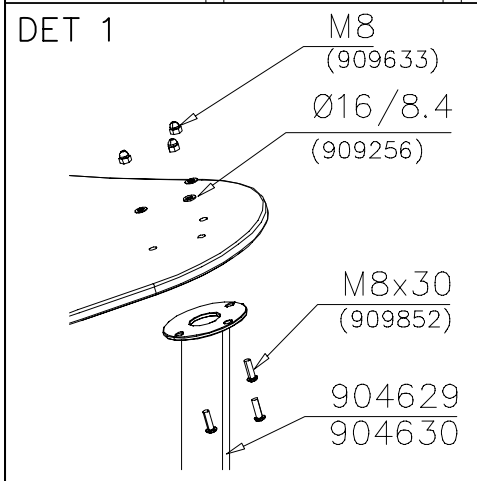
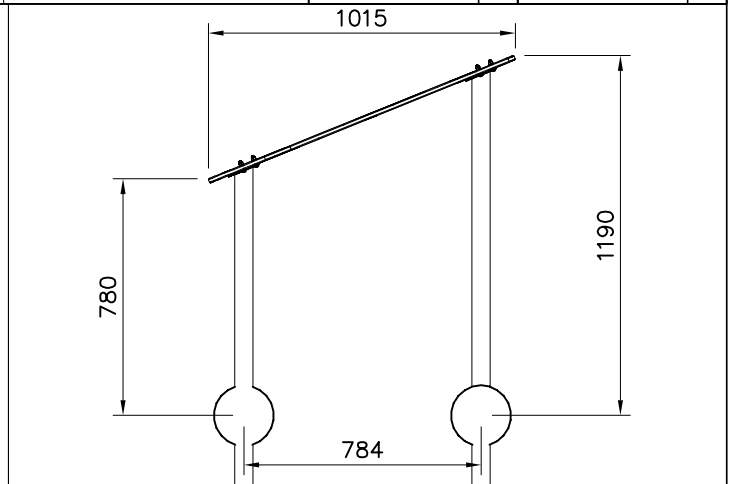
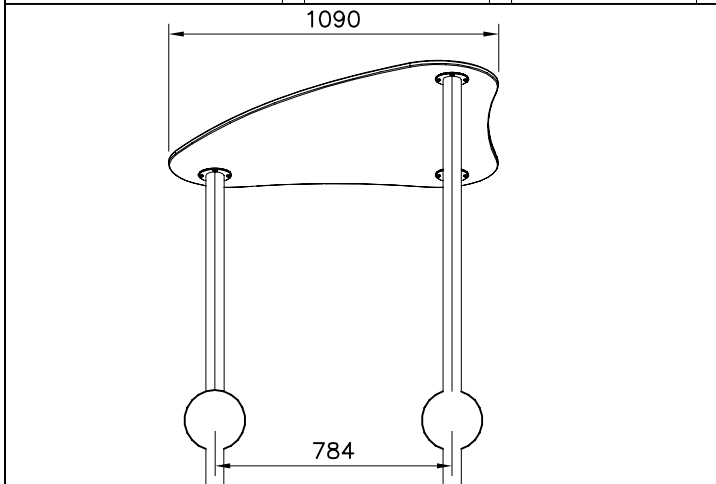
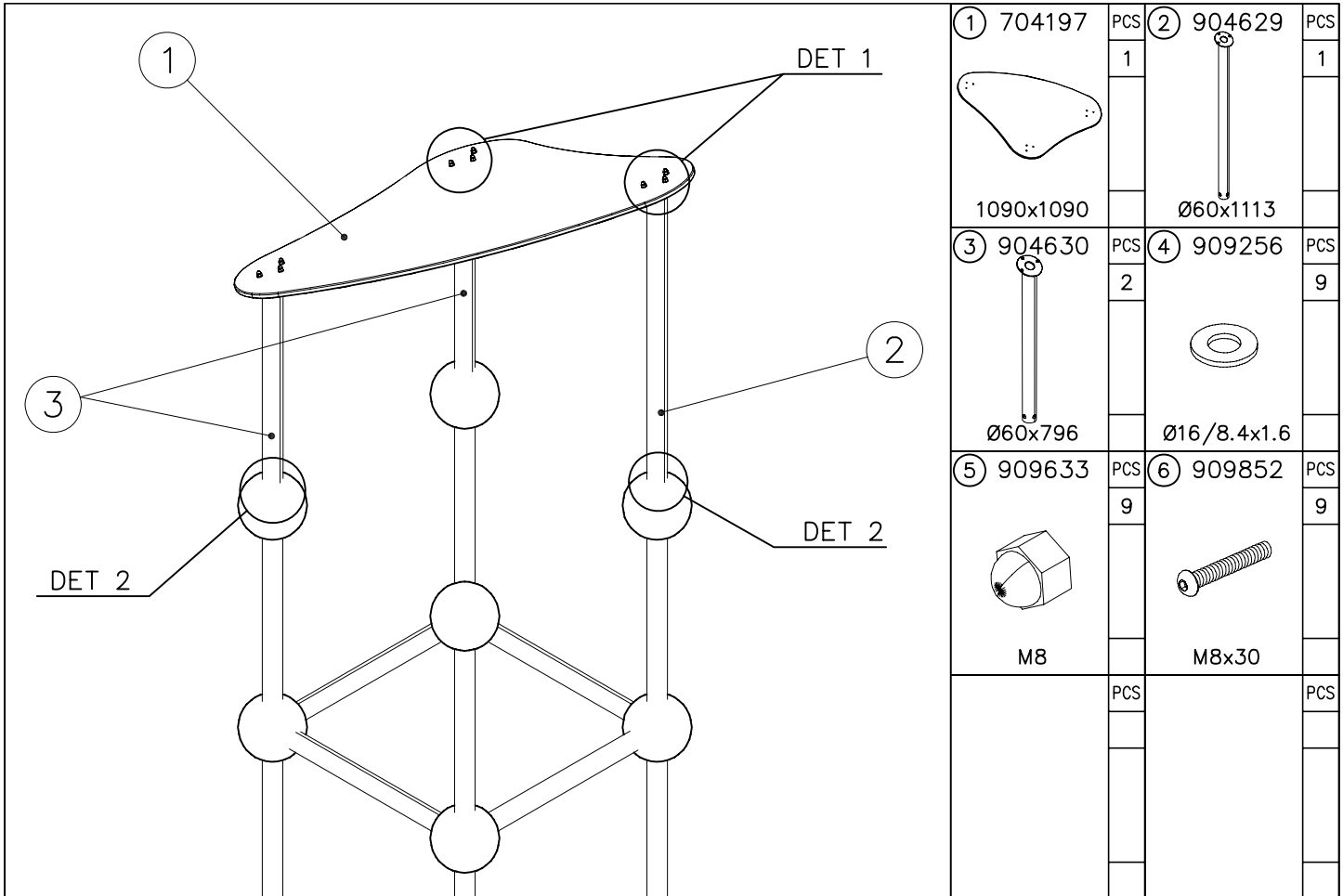


NOTE:

Use a wire marked pairs of the same junction.

Huom!

Käytä langalla merkittyä paria samassa liitoksessa.

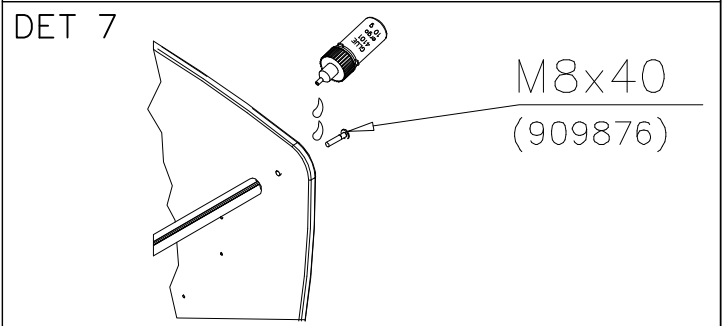
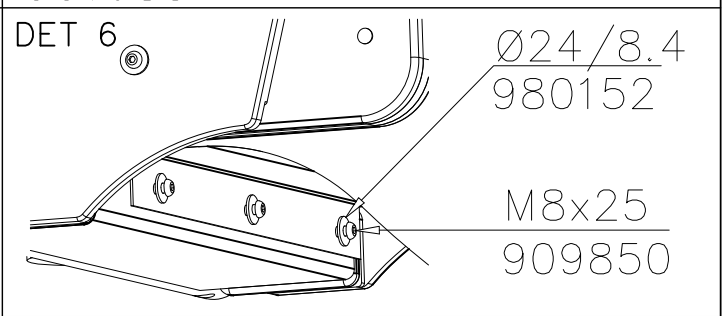
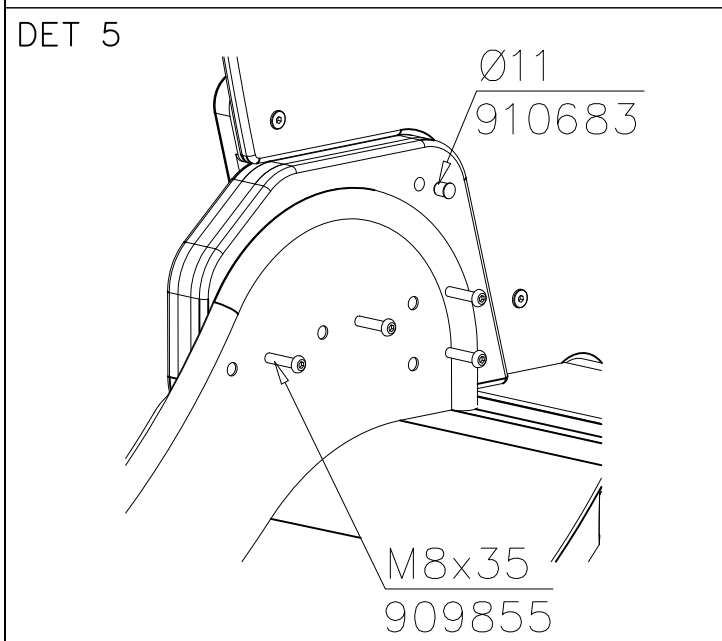
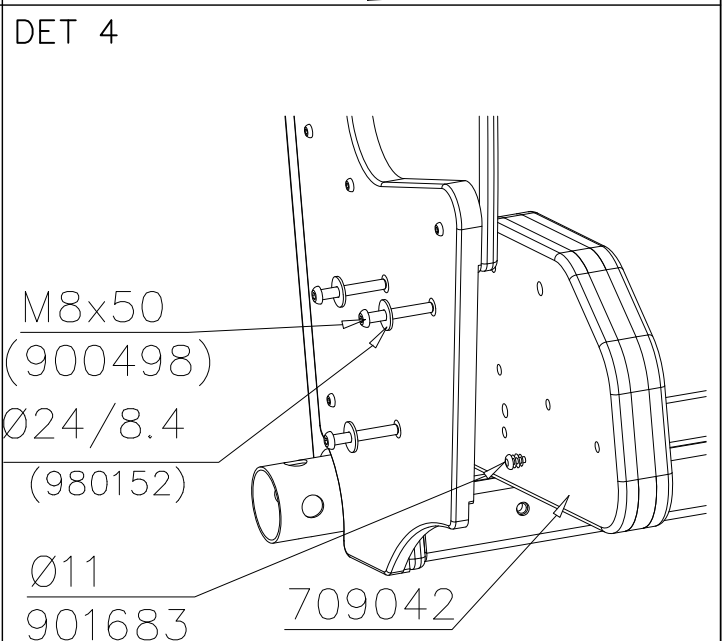
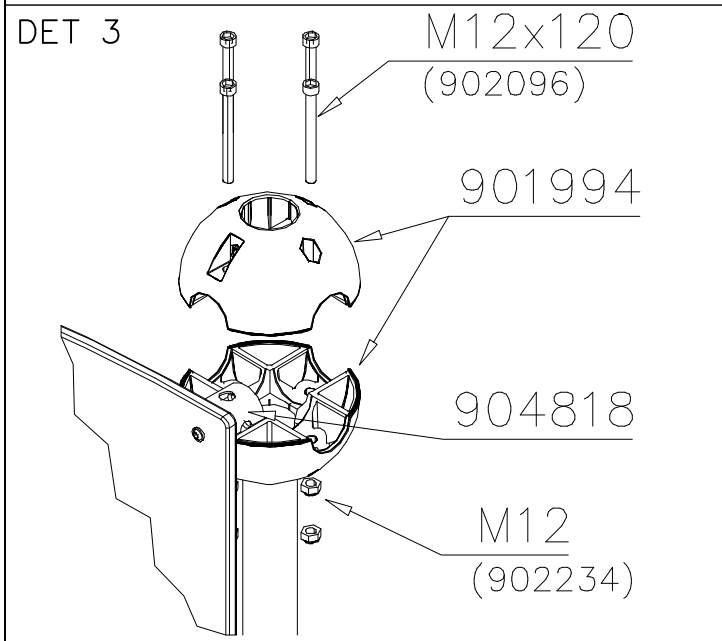
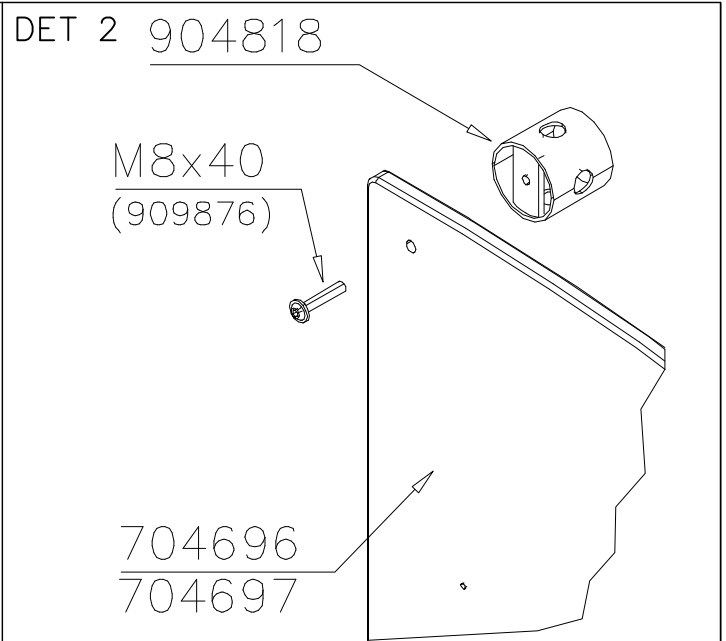
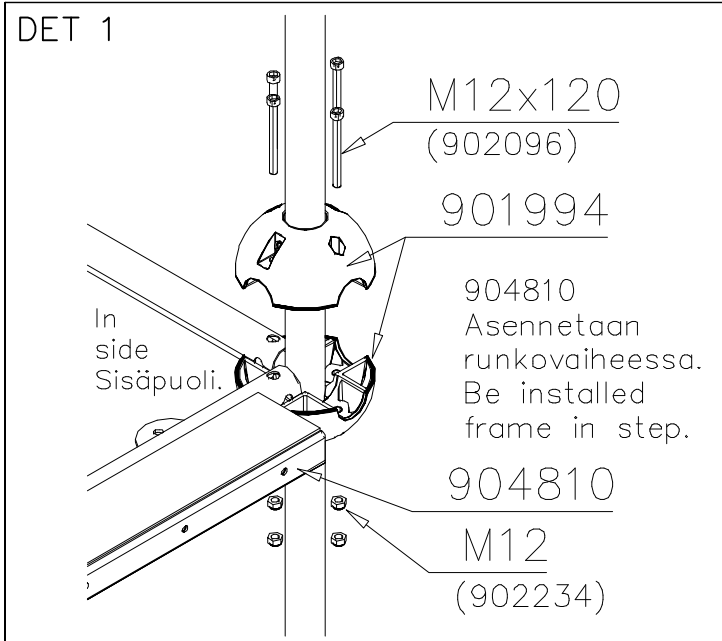


Exploded view diagram of a mechanical assembly. The diagram shows various components labeled with circled numbers 1 through 13 and sub-assemblies labeled DET 1 through DET 7. Dimensions are provided for several parts and the overall assembly.

Dimensions shown in the diagram:

- 860 (vertical dimension on the left)
- 784 (vertical dimension on the right)
- 784 (horizontal dimension at the bottom)
- 468 (horizontal dimension at the top right)
- (870-1470-1970-2070) (vertical dimension on the right)

| | | | |
|---------------------|-----|----------|-----|
| ① 704696 | PCS | ② 704697 | PCS |
| | 1 | | 1 |
| ③ 904810 | PCS | ④ 904818 | PCS |
| | 1 | | 2 |
| ⑤ 904833 | PCS | ⑥ 909876 | PCS |
| | 1 | | 4 |
| Ø30x565 | | M8x40 | |
| ⑦ 980152 | PCS | ⑧ 900498 | PCS |
| | 9 | | 6 |
| Ø24/8.4 | | M8x50 | |
| ⑨ 999561 | PCS | ⑩ 709042 | PCS |
| | 1 | | 2 |
| GLUE 4101 ergo 10 g | | | |
| 10 g | | | |
| | | ⑪ 909855 | PCS |
| | | | 8 |
| | | M8x35 | |
| | | ⑫ 910683 | PCS |
| | | | 4 |
| | | Ø11 | |
| | | ⑬ 909850 | PCS |
| | | | 3 |
| | | M8x25 | |



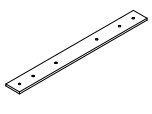
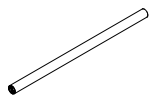

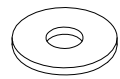
LAPPSET

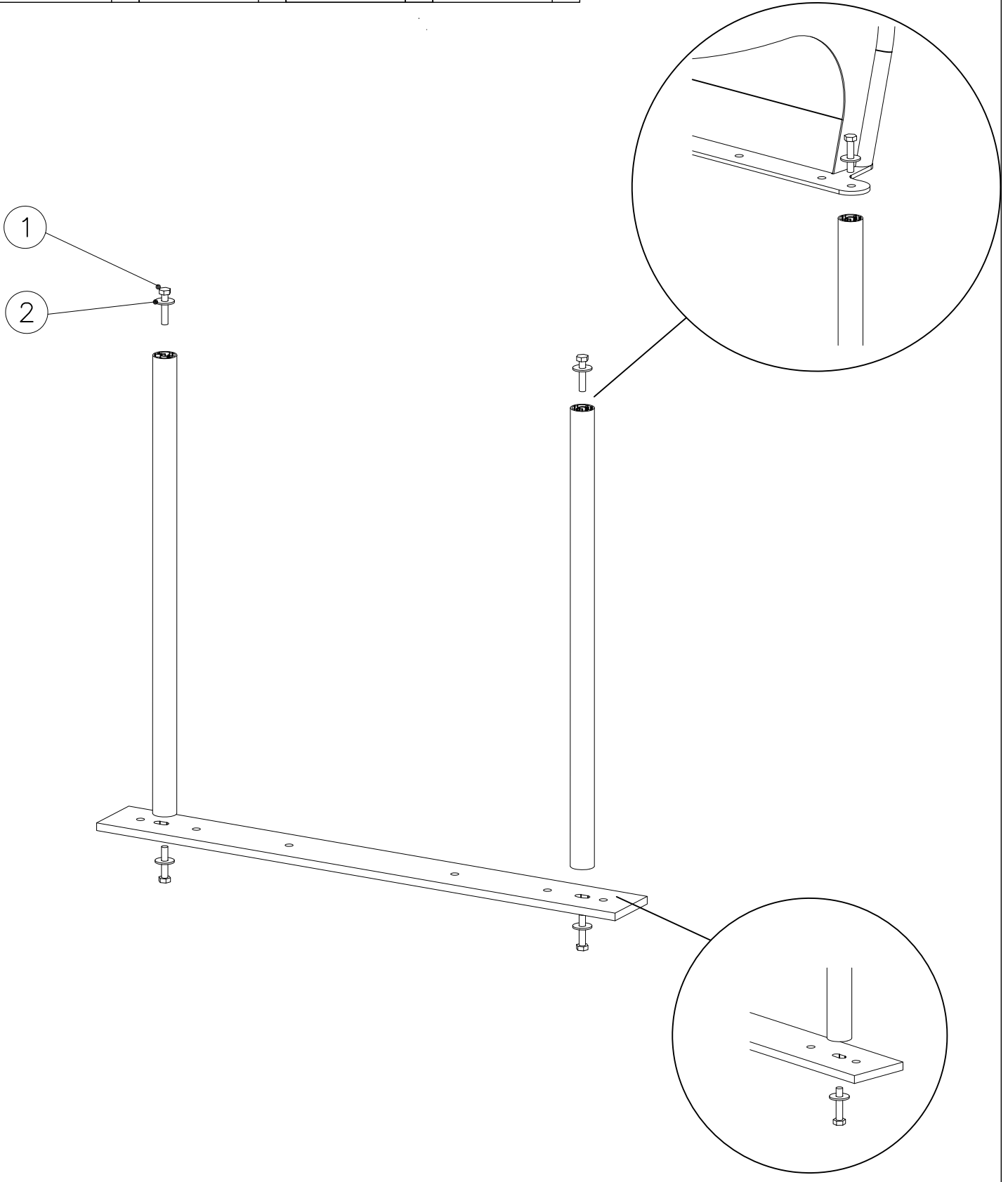
DEEP FOUNDATION

SLIDE METAL

DATE: 11.2.2019

1(1)

| | | | | | | | |
|--|-----|---|-----|---|-----|---|-----|
| ○ 707133 | PCS | ○ 901868 | PCS | ① 909210 | PCS | ② 905051 | PCS |
| | 1 | | 2 | | 4 | | 4 |
|  | |  | |  | |  | |
| 10x80x745 | | Ø30x598 | | M8x40 | | Ø24/8.4 | |



LAPPSET

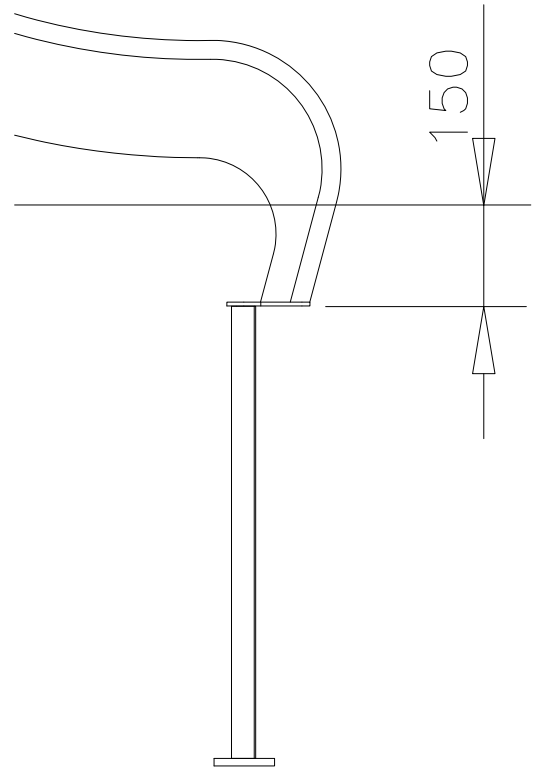
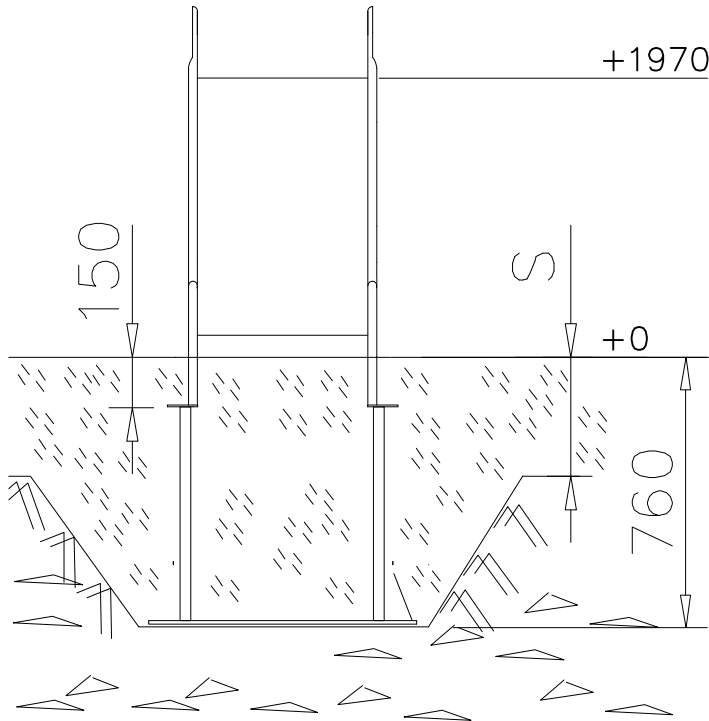
DEEP FOUNDATION

SLIDE METAL

DATE: 24.11.2020

1(1)

Floor level +1970



Floor level +870,
+1470, +2070

