

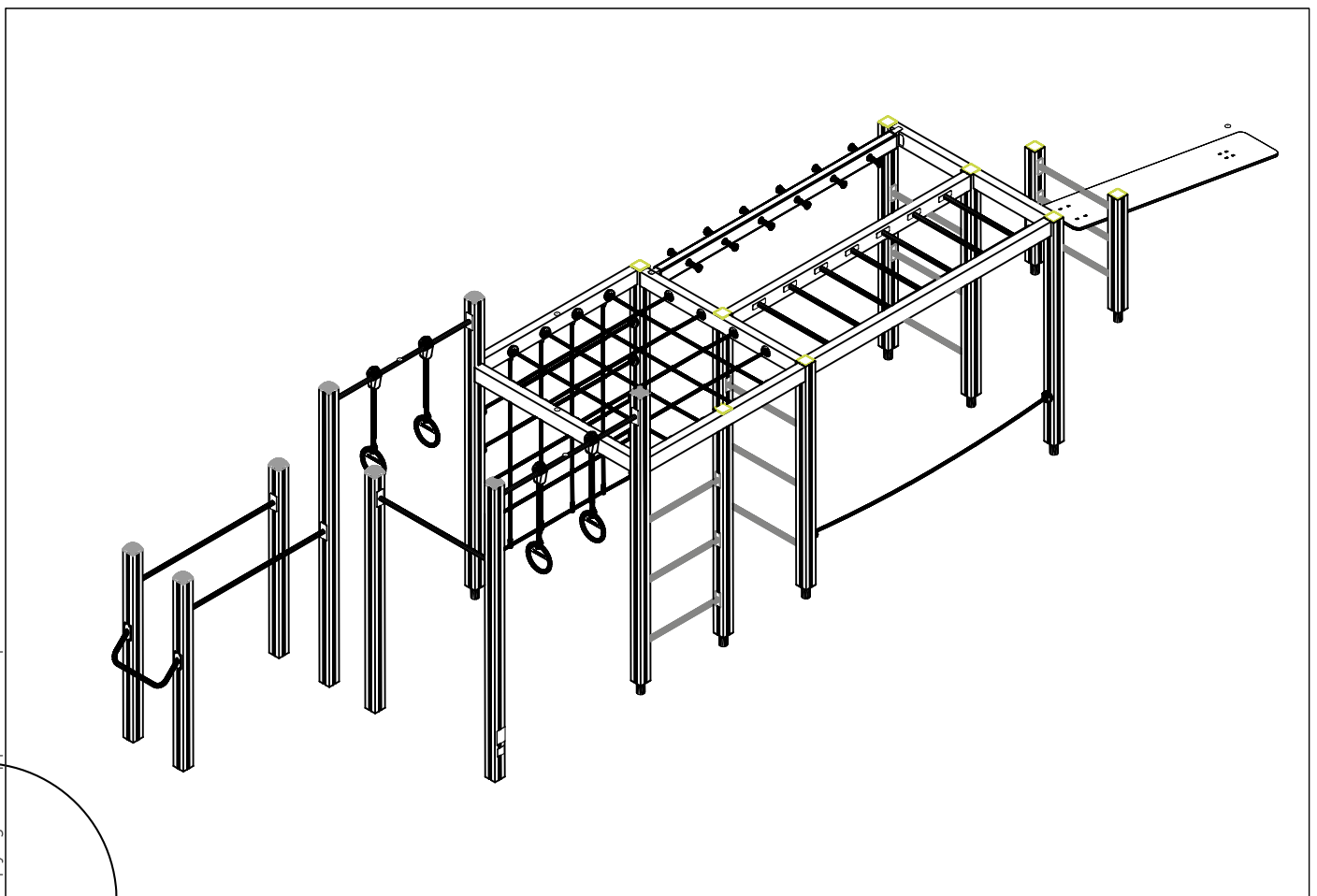
LAPPSET®

FITNESS

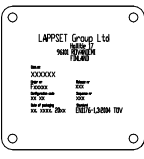
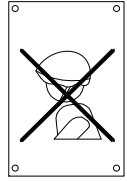
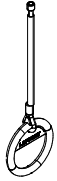
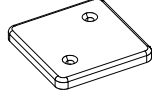
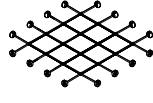

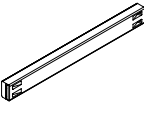
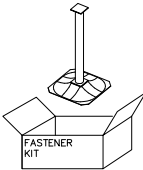
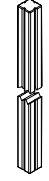




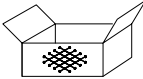
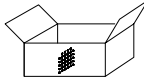
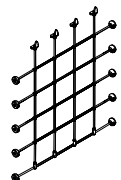

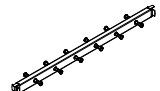
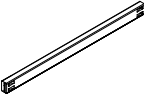
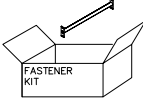
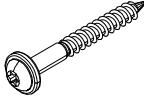
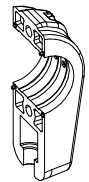
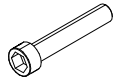
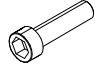
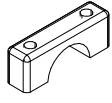
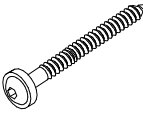
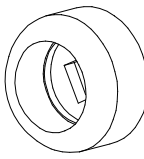
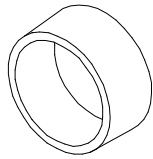
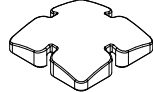
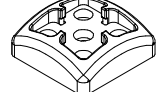
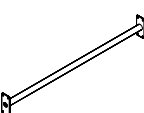
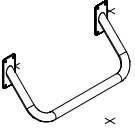
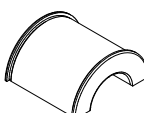
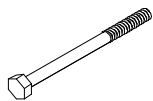
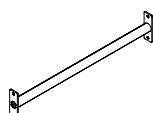
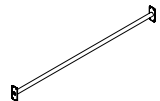
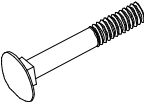
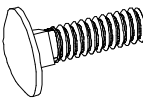

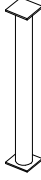
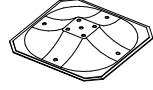
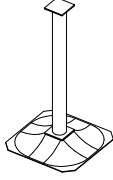
ASENNUSOHJE
MONTERINGSANSVISNING
INSTALLATION INSTRUCTION
AUFBAUANLEITUNG
NOTICE D'INSTALLATION

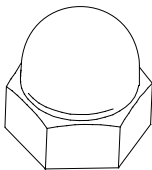
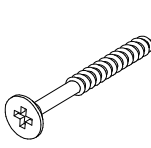
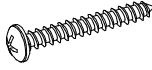
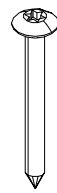
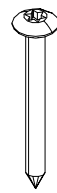
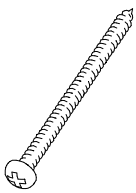
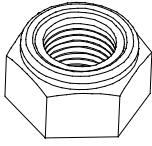
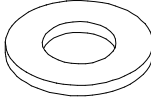


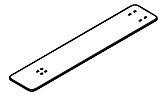
DATE: 27.8.2020

Q14792

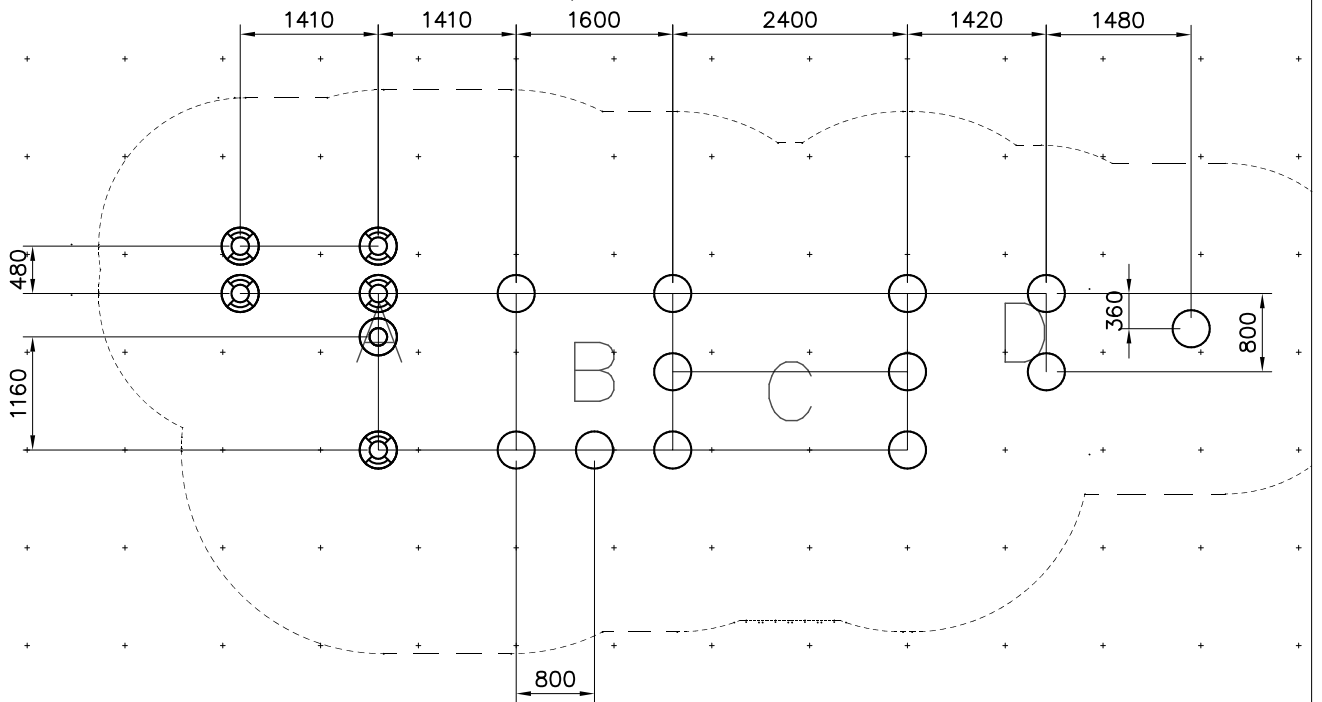
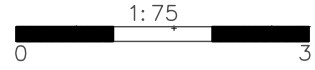


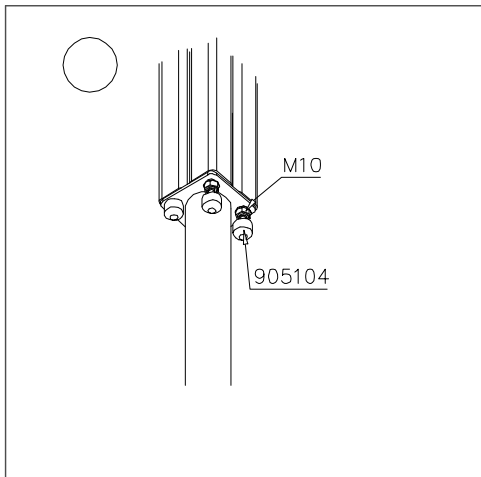
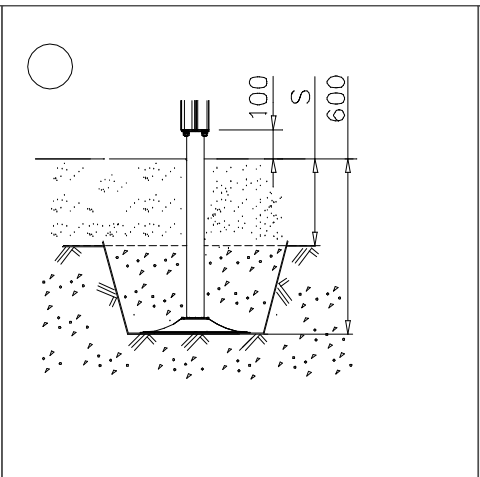
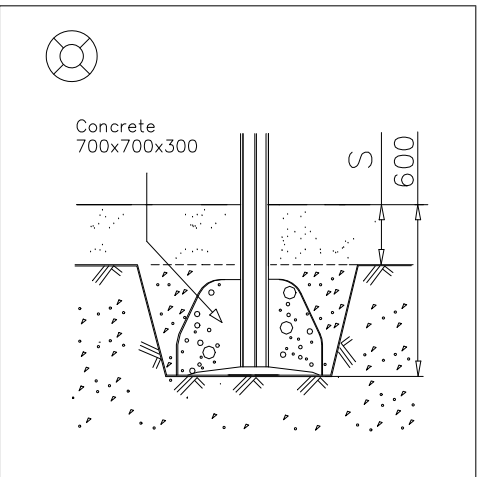
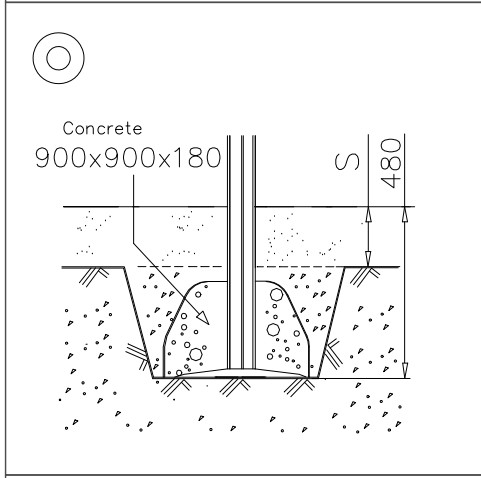
DATE: 2.10.2020

702286  65x65	PCS 1	702339  118x78	PCS 1	705040  Ø16x764	PCS 4	706481-703  83x83x10	PCS 9	706485-305  1555x1555	PCS 1	706511-602  93x93x1870	PCS 4
706514-602  70x120x1504	PCS 5	706531  FASTENER KIT	PCS 11	706568-602  93x93x3000	PCS 2	706598-602  93x93x2120	PCS 3	706669-602  93x93x2400	PCS 3	706894-602  L 950	PCS 2
706905-602  93x93x1870	PCS 3	706932  FASTENER KIT	PCS 1	706934  FASTENER KIT	PCS 1	706935-305  1505x1600	PCS 1	707288-305  L 2305	PCS 1	707290-602  127x300x2355	PCS 1
707294-602  70x120x2304	PCS 2	707938  FASTENER KIT	PCS 3	900240  Ø8x70	PCS 78	902195  150x50x50	PCS 8	902232  M10x55	PCS 4	902233  M10x30	PCS 4
902454  L 1060	PCS 2	903093  Ø8x90	PCS 28	905083  Ø32	PCS 4	905112  Ø22	PCS 4	905138  GRAY	PCS 8	905196  GRAY	PCS 8
905838-216  L 1060	PCS 1	905934-216  L 1060	PCS 1	906006  Ø64/36,4x59	PCS 8	906503  8x120	PCS 4	907694-216  L 704	PCS 19	908017-216  L 1315	PCS 5
909107  M12x80	PCS 4	909109  M12x40	PCS 4	909256  Ø16/8.4	PCS 60	909511  90x90x650	PCS 11	909519  50x380x380	PCS 17	909521  FASTENER KIT	PCS 1

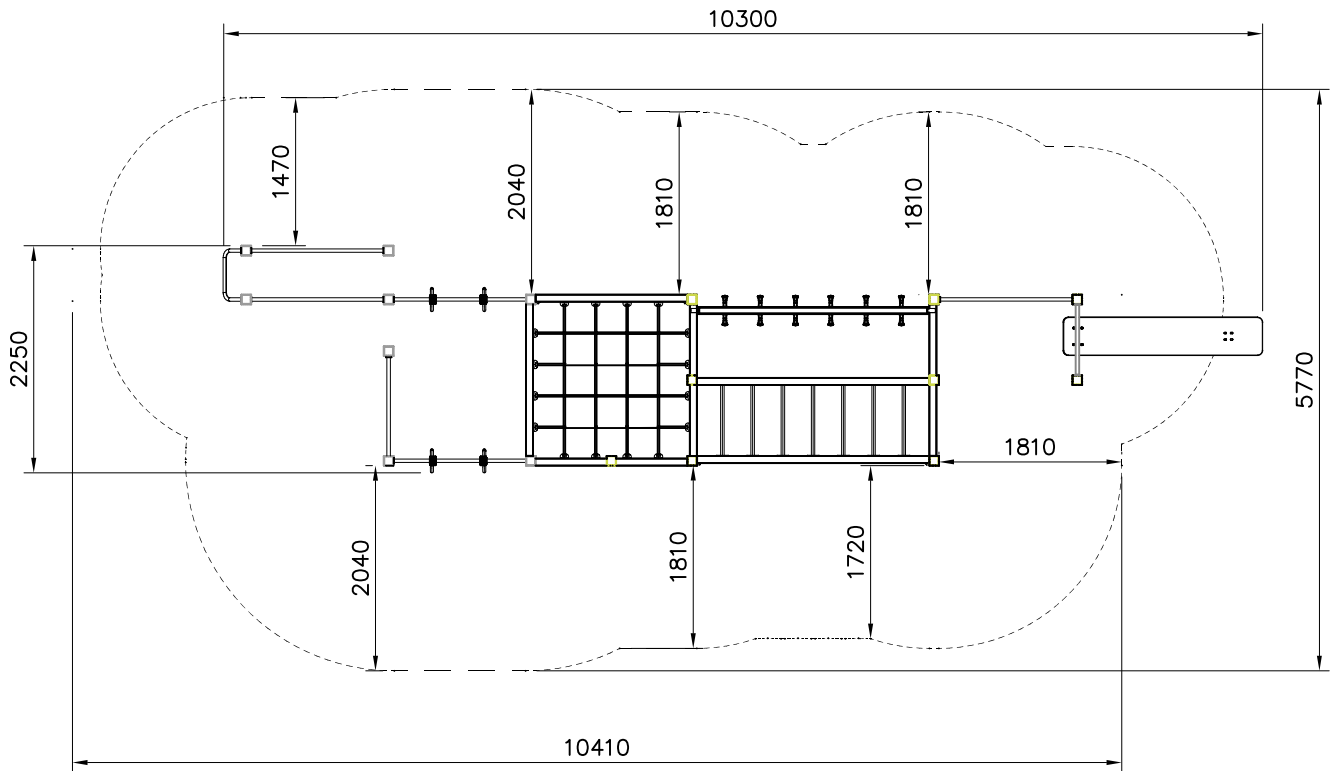
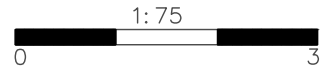
909644  M12	PCS 8	980107  Ø6x60	PCS 18	980114  Ø4x20	PCS 8	980123  Ø7x60	PCS 48	980128  Ø7x40	PCS 12	980131  Ø6x60	PCS 32
980150  M8	PCS 4	980151  Ø16/8.4	PCS 4	980154  Ø24/13	PCS 8	980161  M10	PCS 8	P01987  2000x380	PCS 1		PCS
	PCS		PCS		PCS		PCS		PCS		PCS
	PCS		PCS		PCS		PCS		PCS		PCS
	PCS		PCS		PCS		PCS		PCS		PCS
	PCS		PCS		PCS		PCS		PCS		PCS
	PCS		PCS		PCS		PCS		PCS		PCS

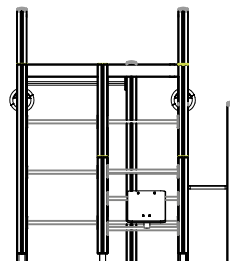
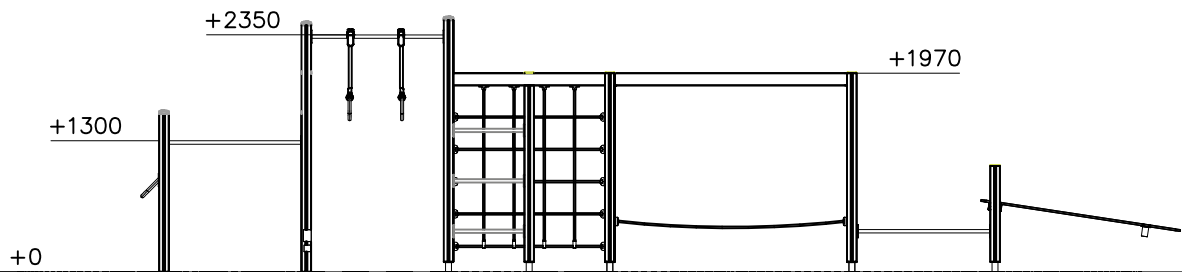
— EN/AS Impact Area 51.3 m²
 - - - Falling Space 52.8 m²
 GRID SIZE = 1000mm

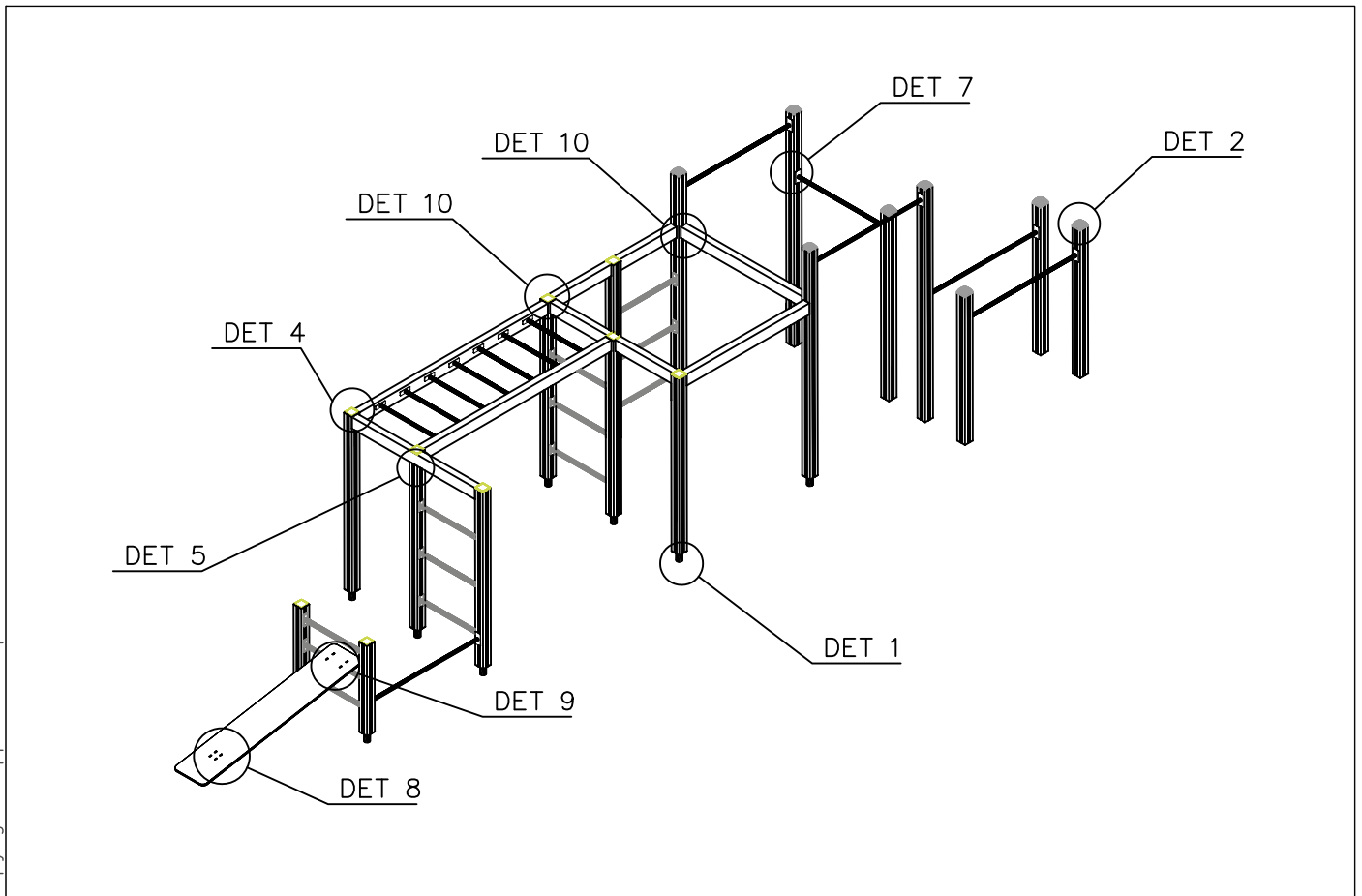
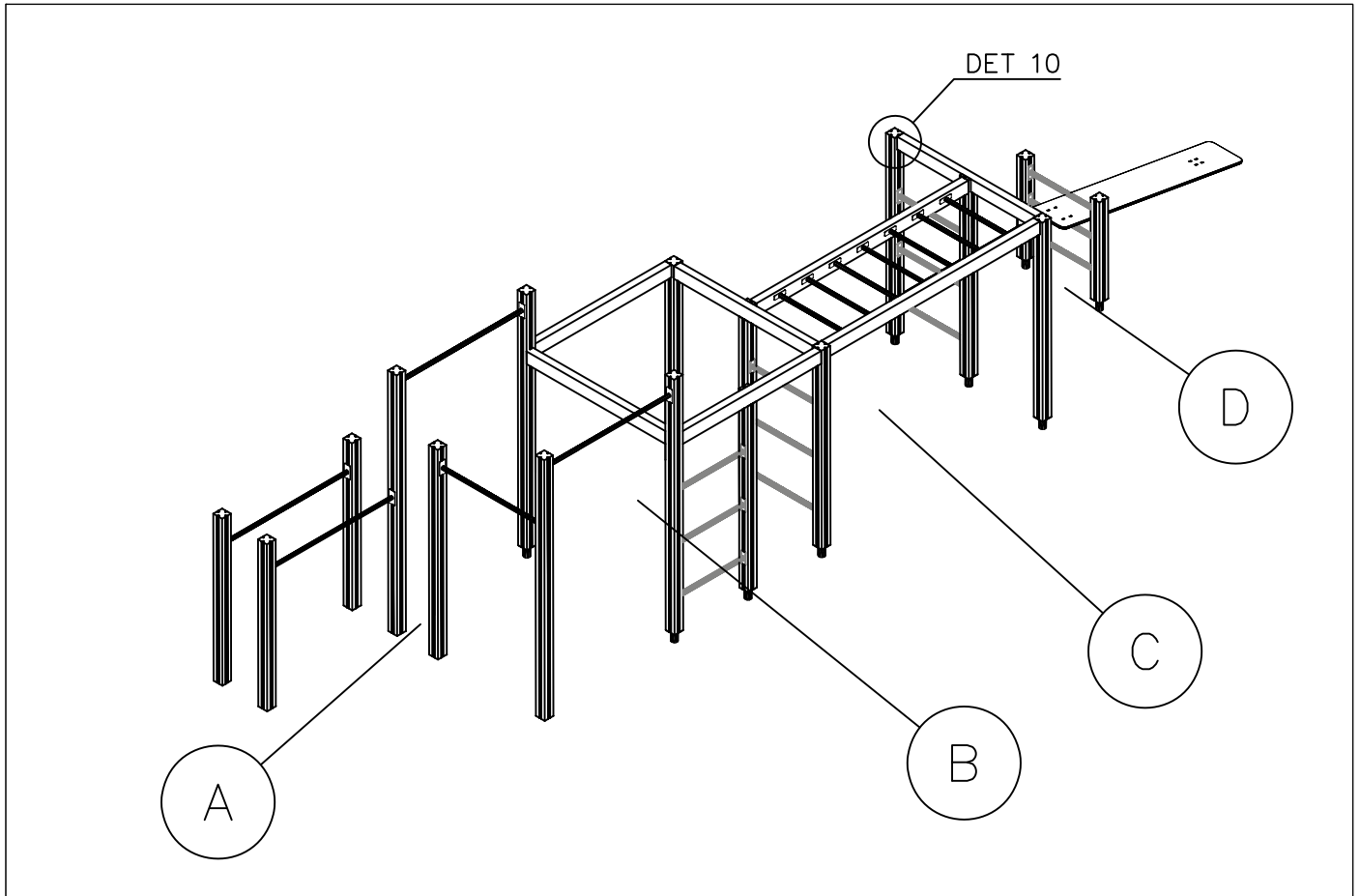


- EN/AS Impact Area 51.3 m²
- - - Falling Space 52.8 m²
Max Falling Height 2350 mm

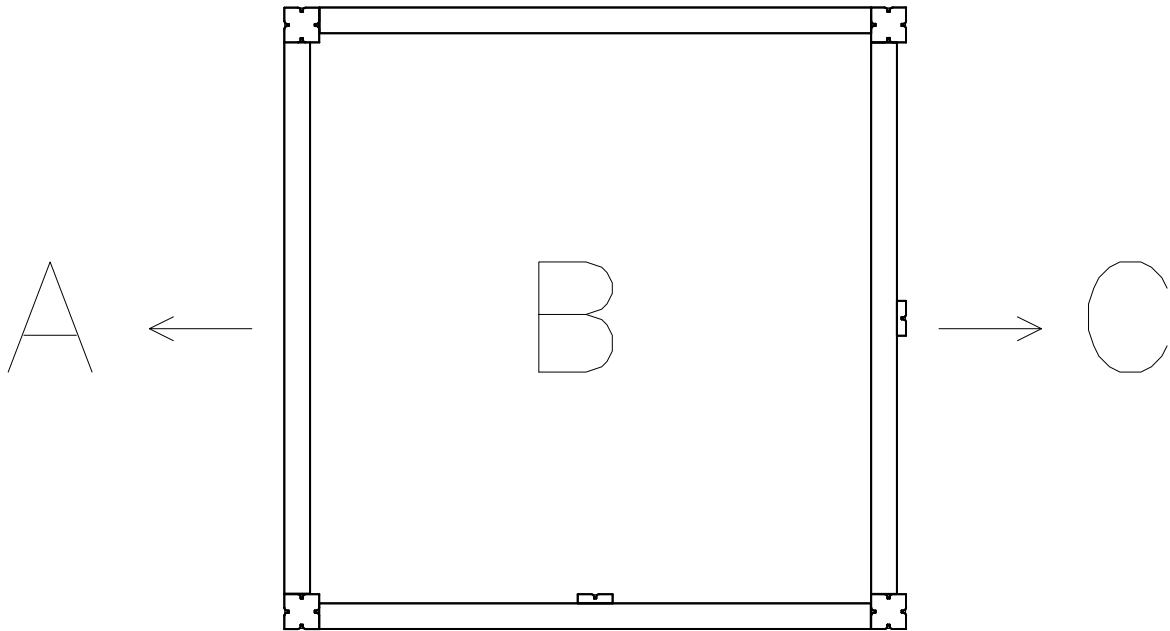




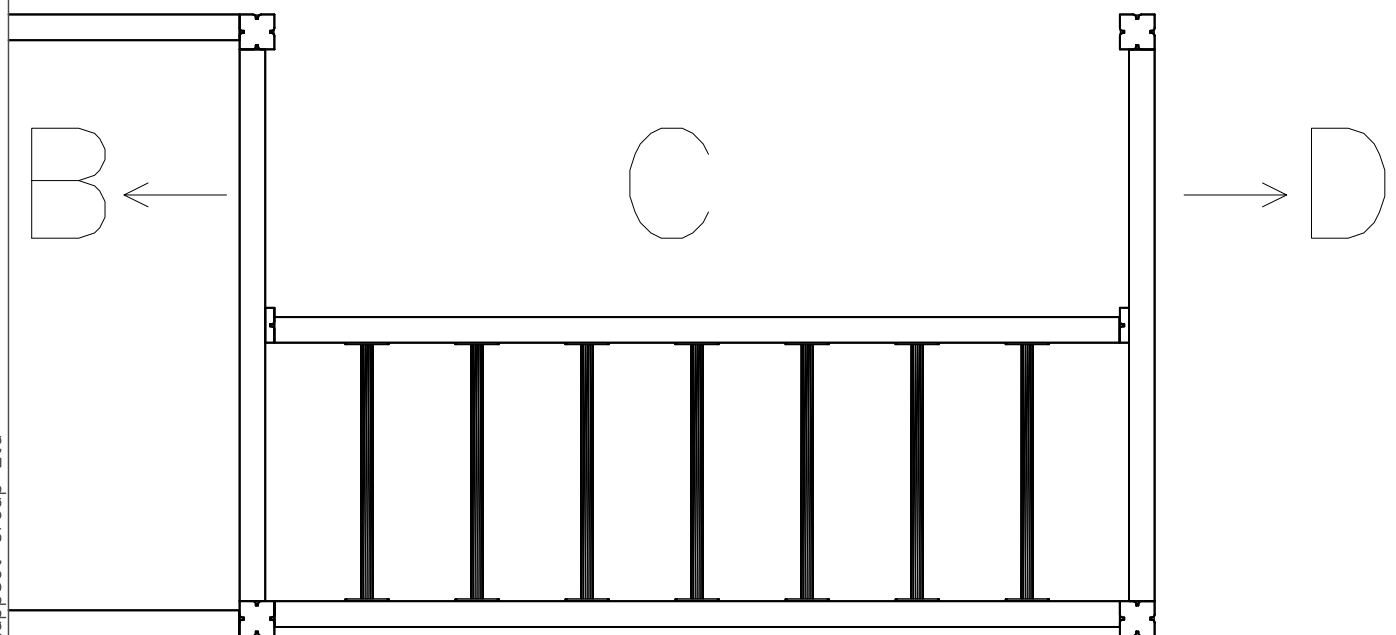


<p>DET 1</p>	<p>DET 2</p>	<p>DET 3</p>	<p>DET 4</p>
<p>DET 5</p>	<p>DET 6</p>	<p>DET 7</p>	<p>DET 8</p>
<p>DET 9</p>	<p>DET 10</p>		

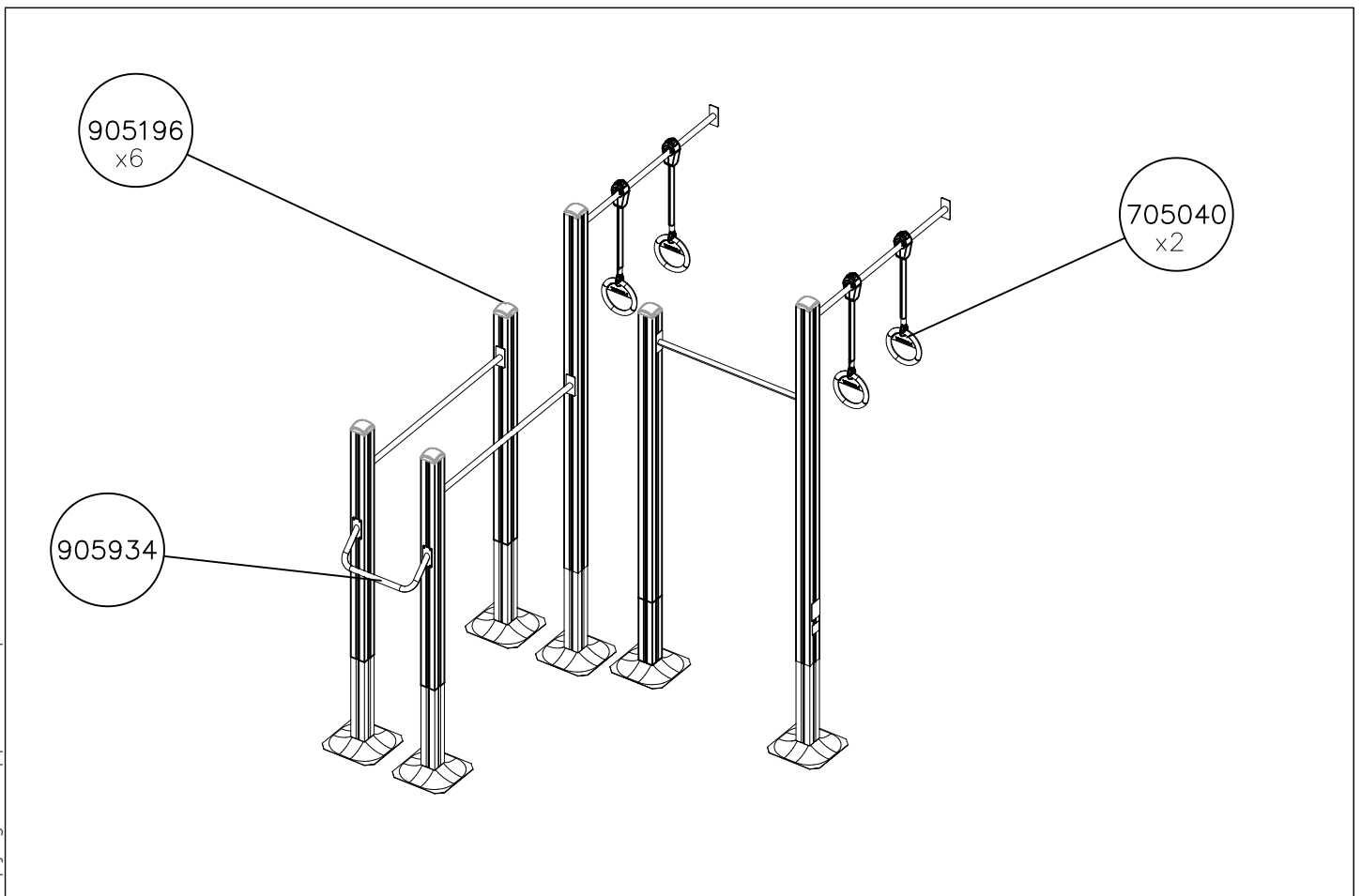
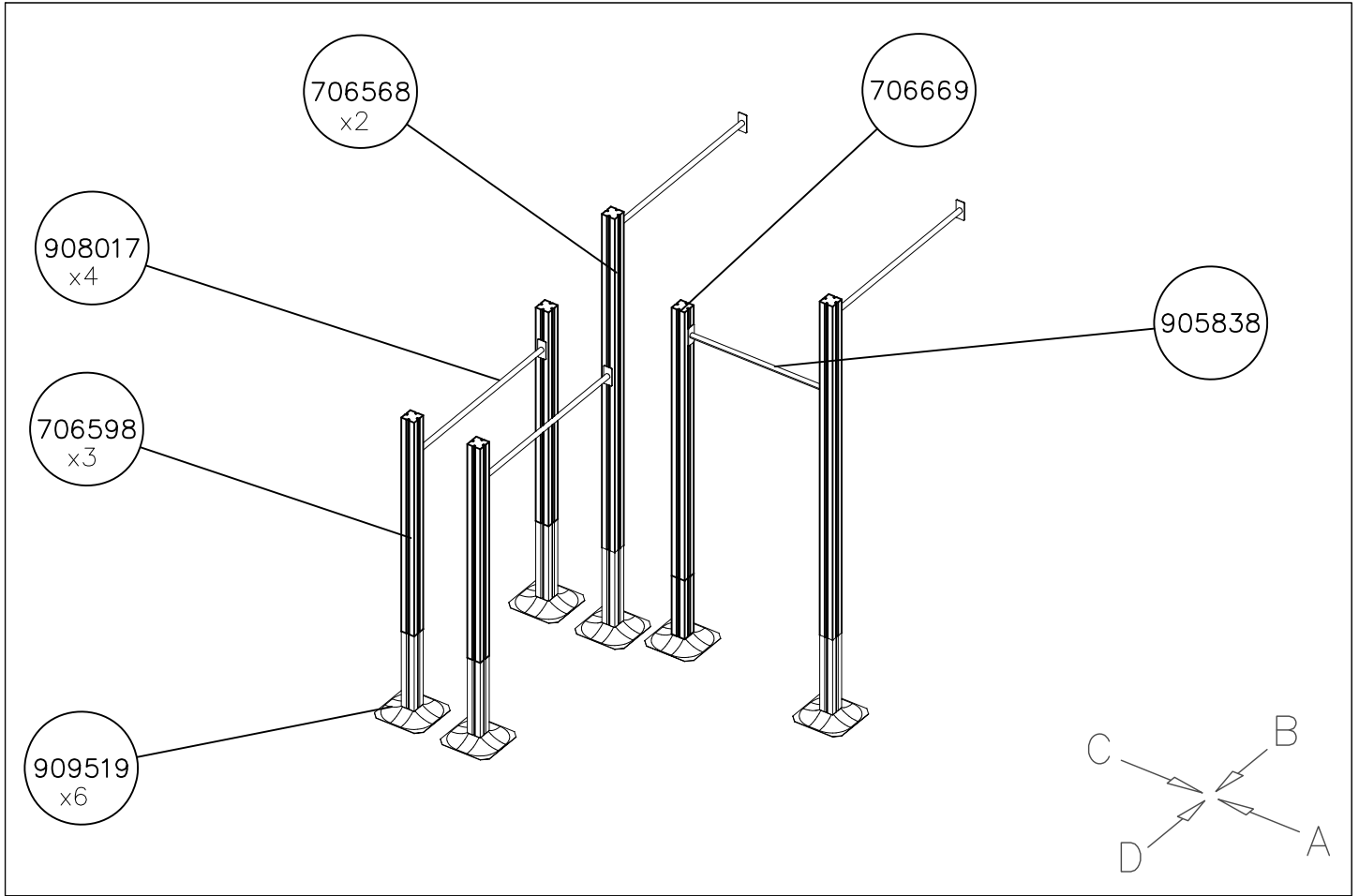
TOWER B
DET 10



TOWER C
DET 10



DATE: 27.8.2020

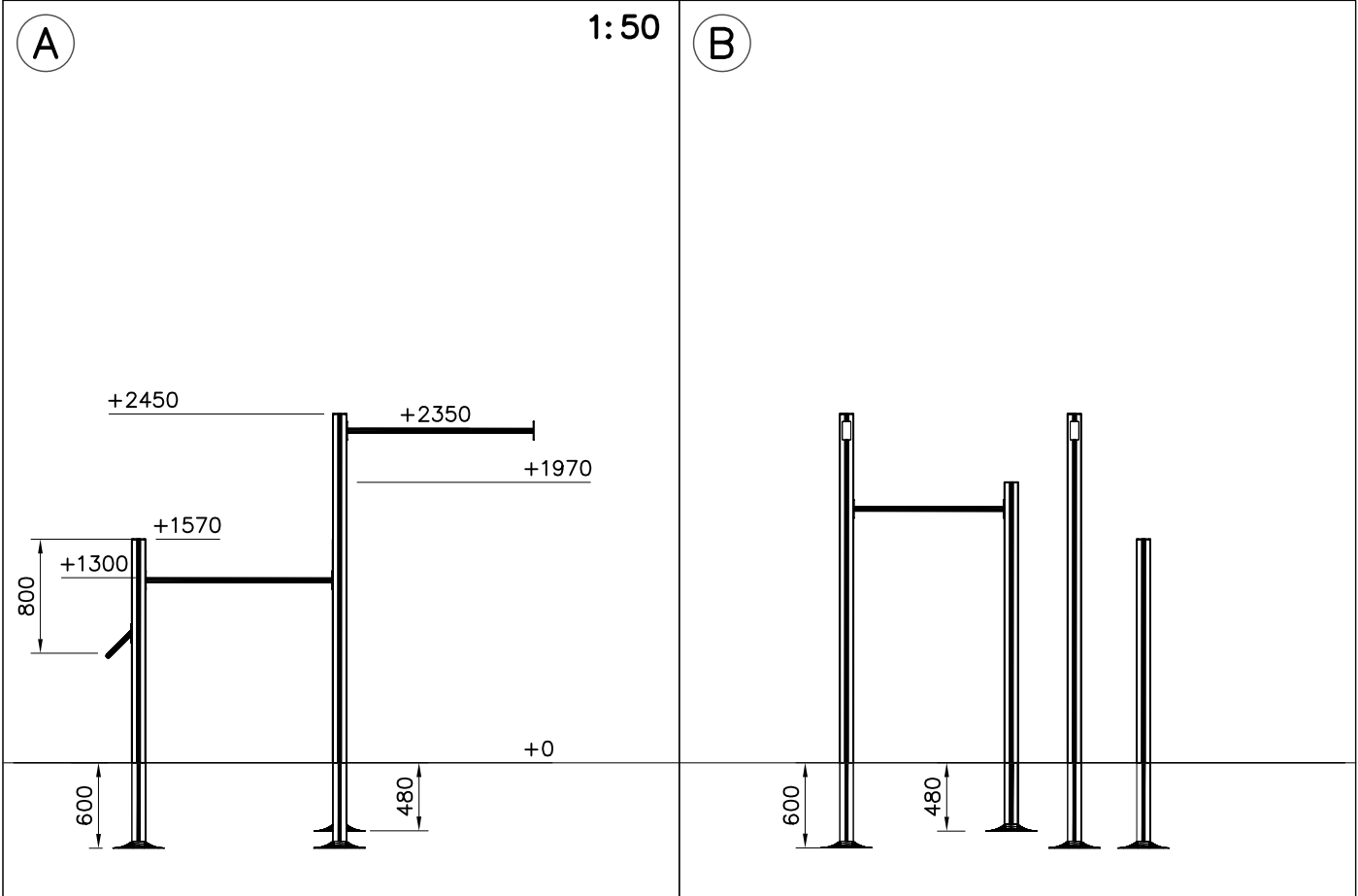


DATE: 27.8.2020

1:50

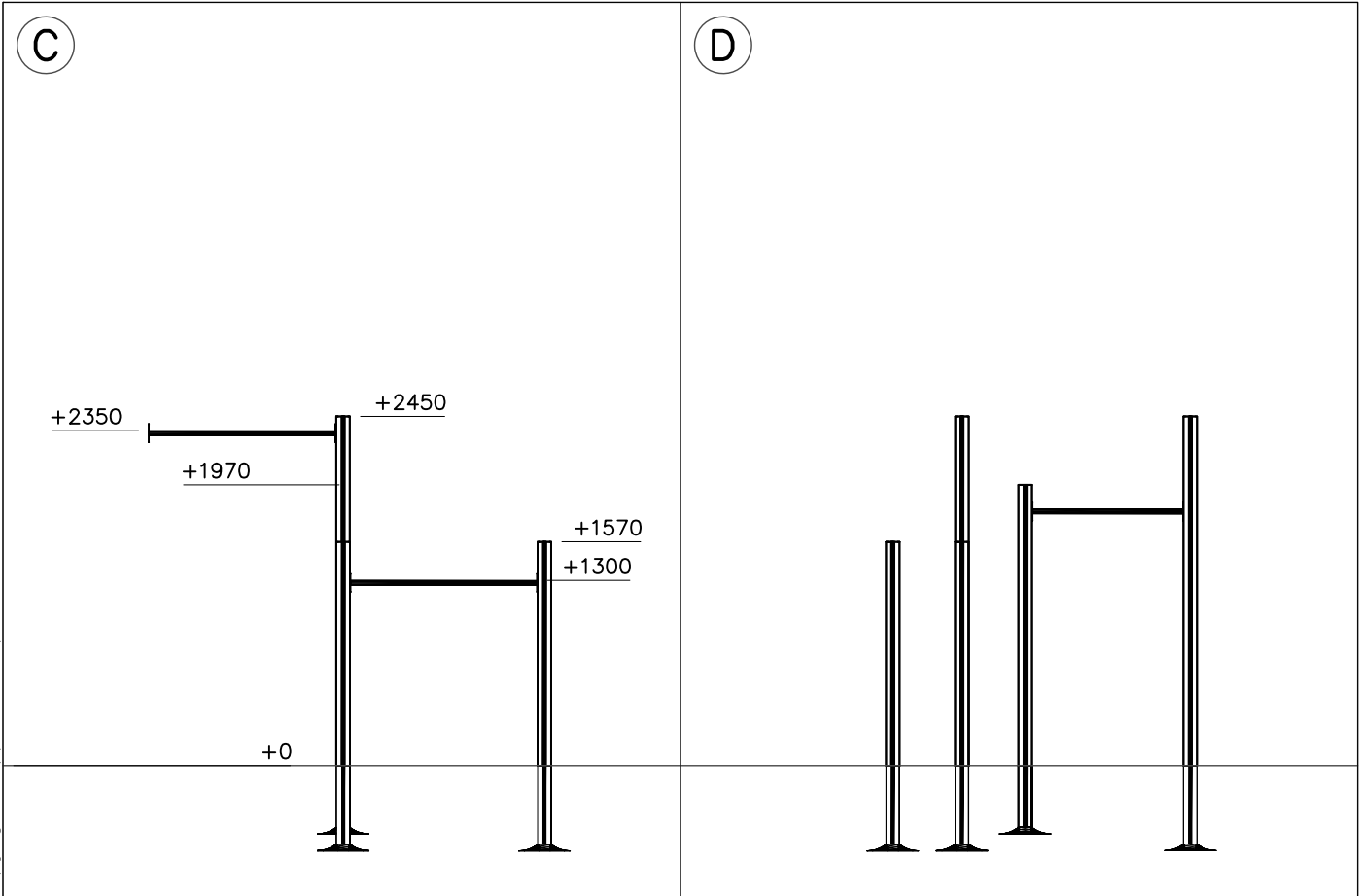
(A)

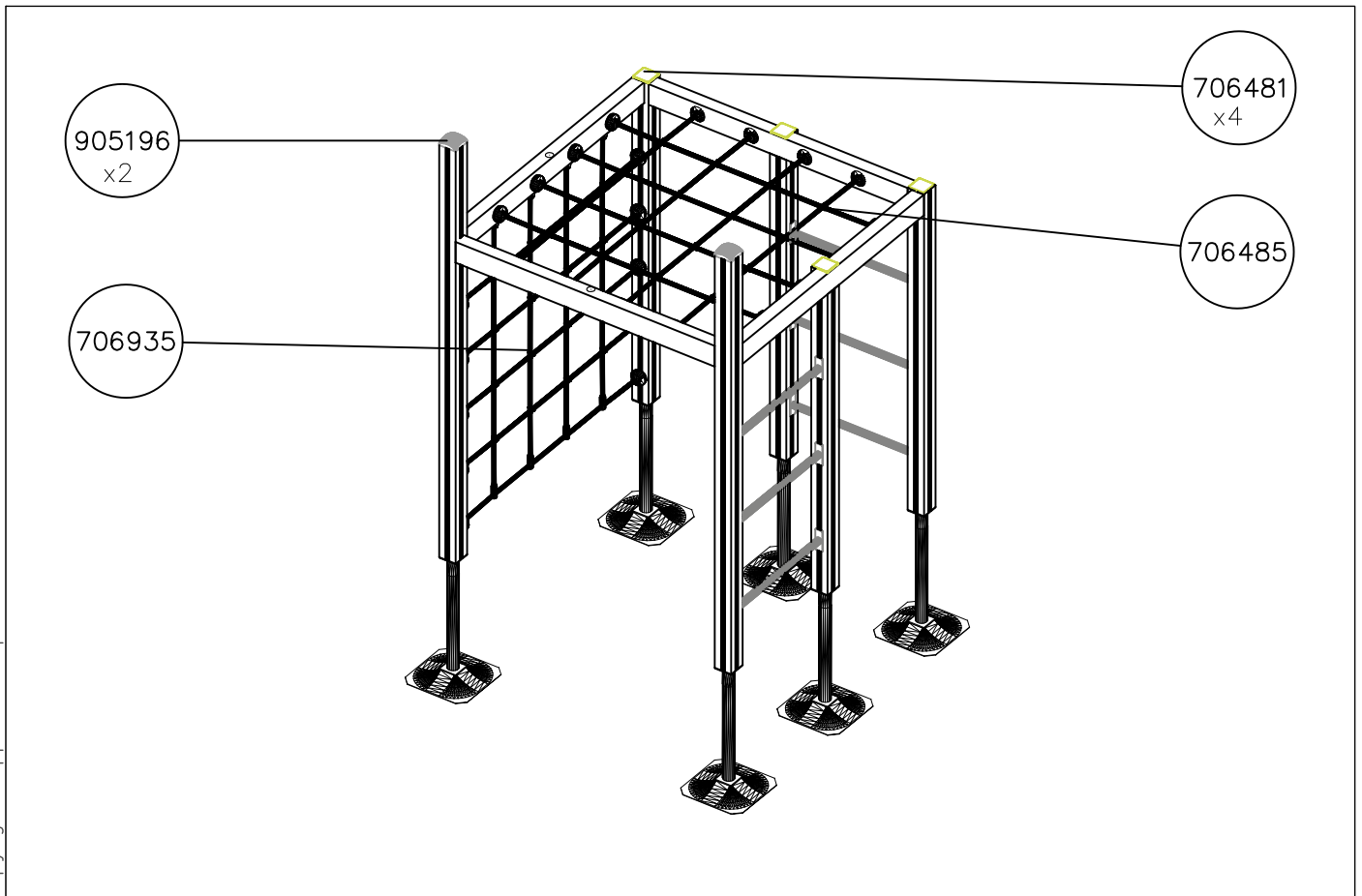
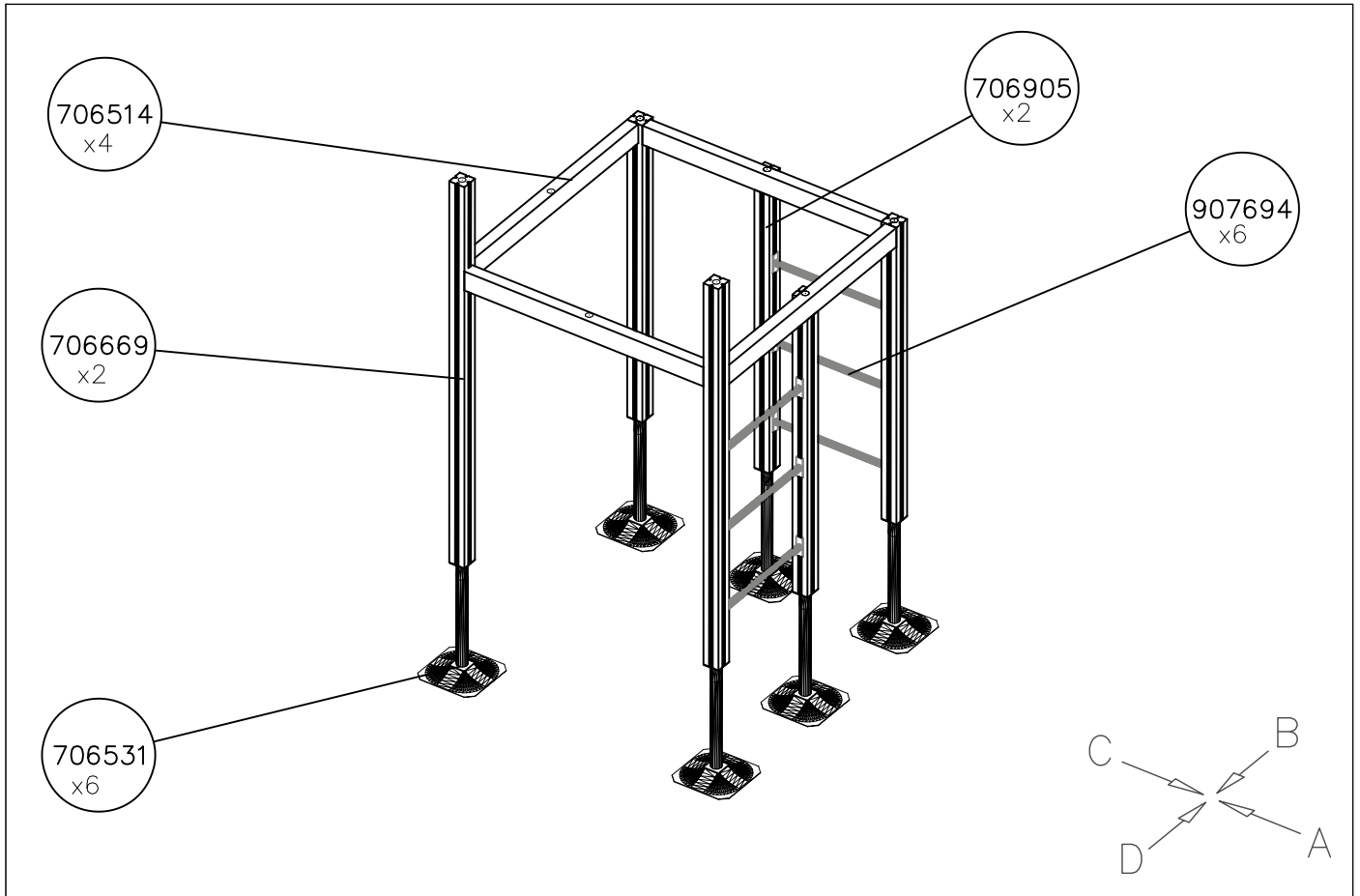
(B)



(C)

(D)

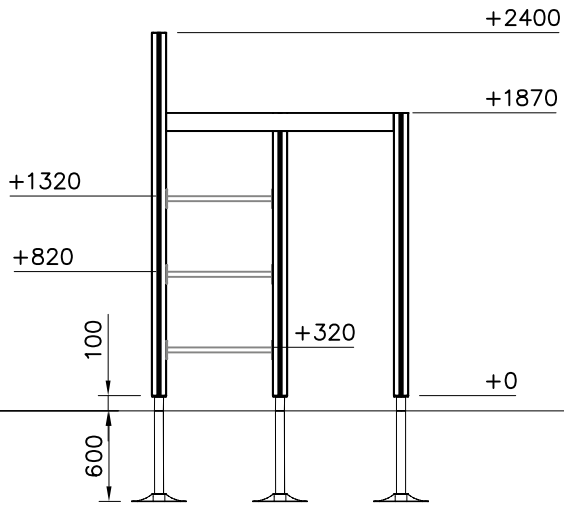




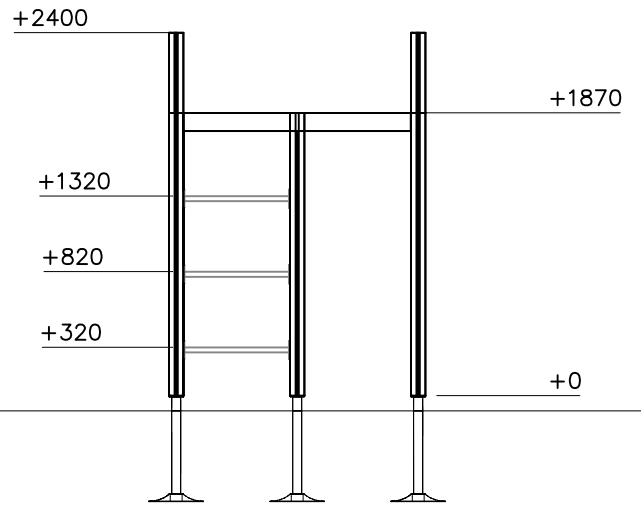
DATE: 27.8.2020

1:50

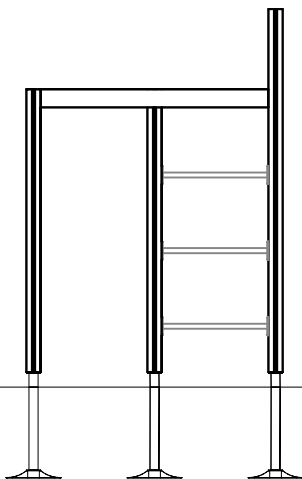
(A)



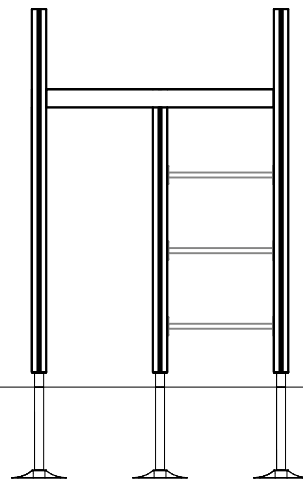
(B)

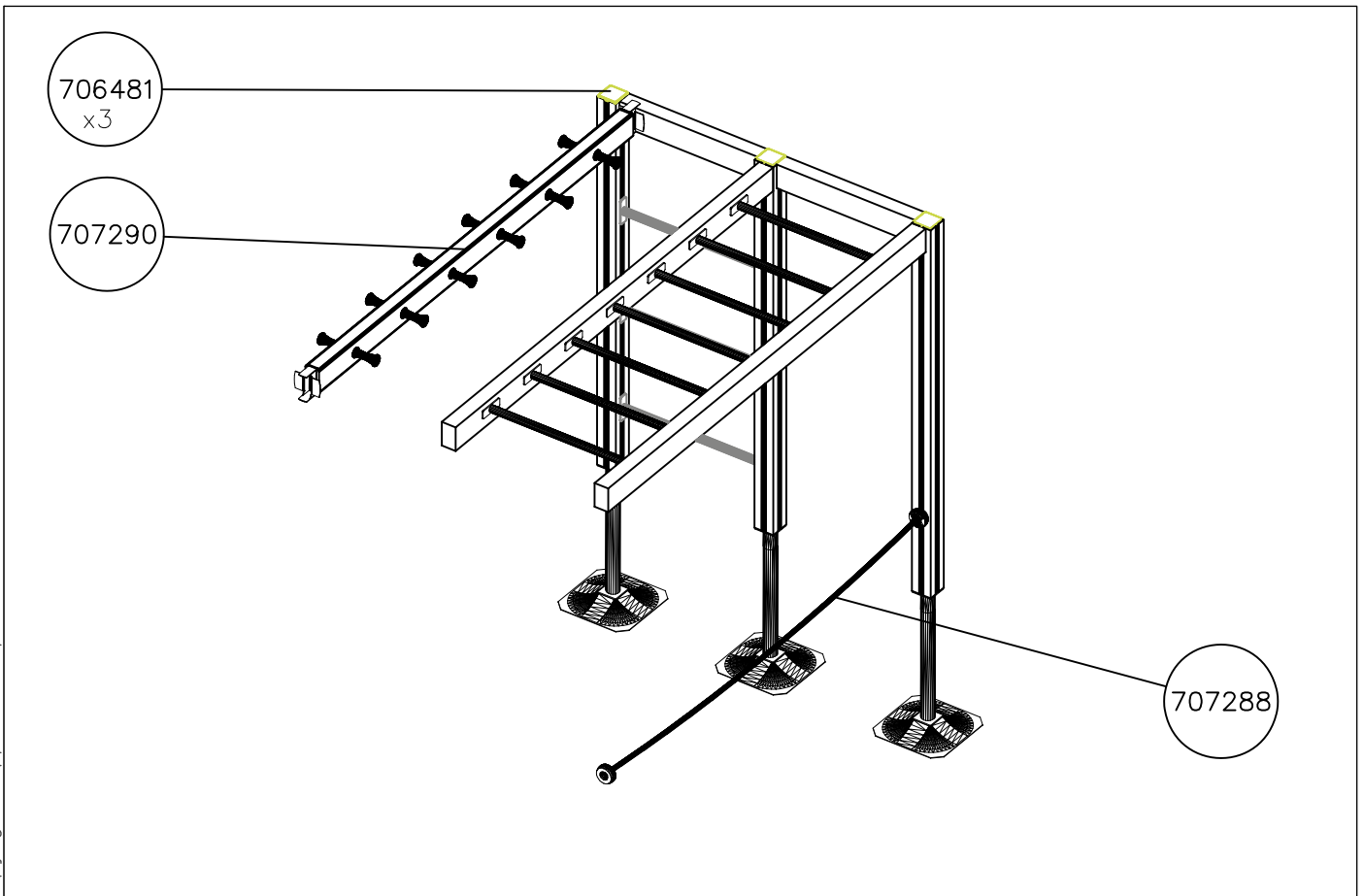
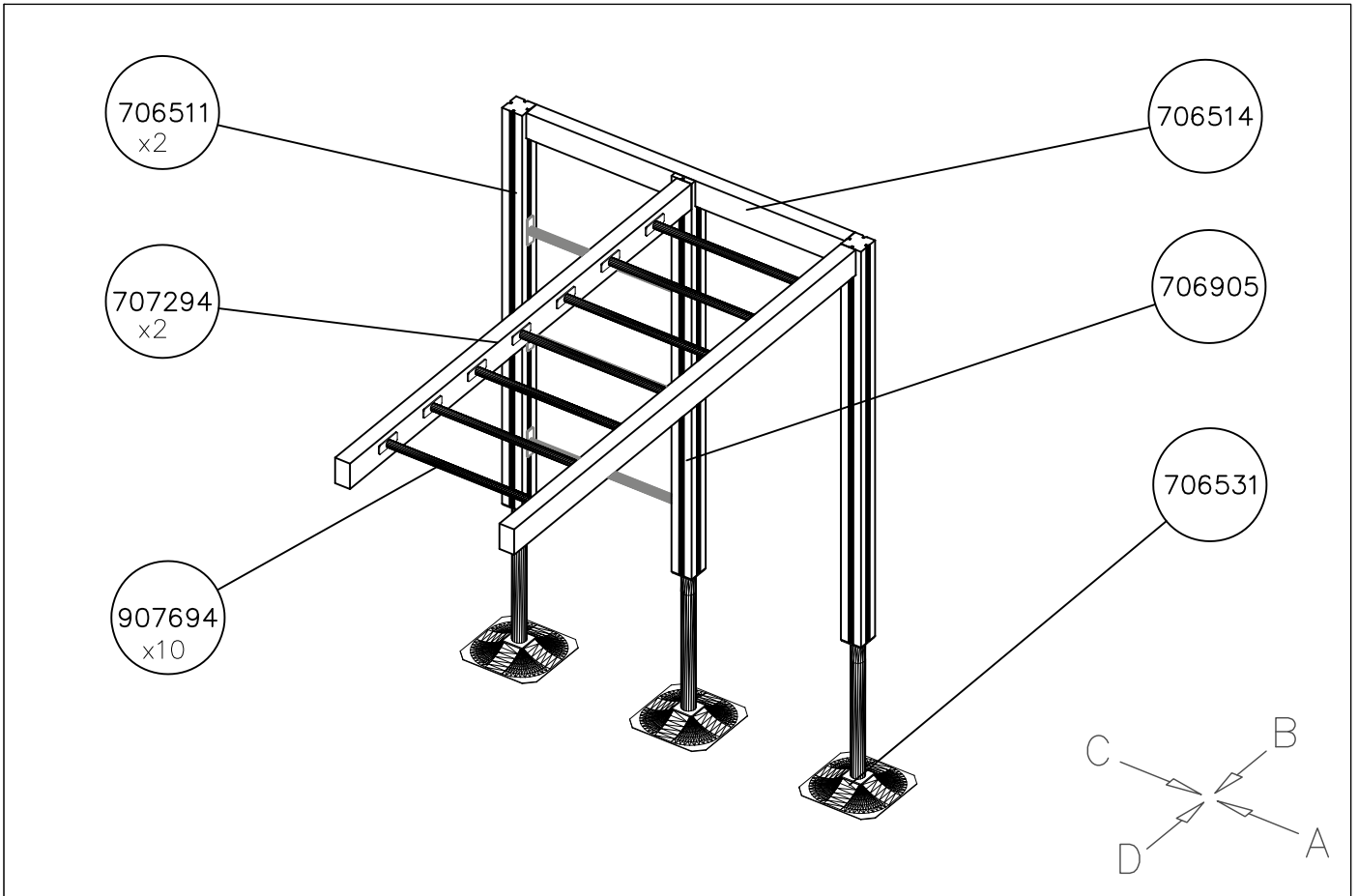


(C)



(D)



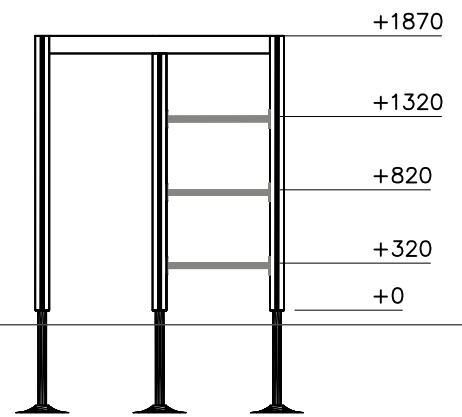
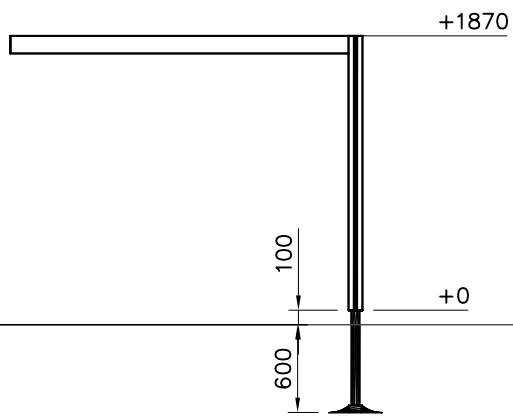


DATE: 27.8.2020

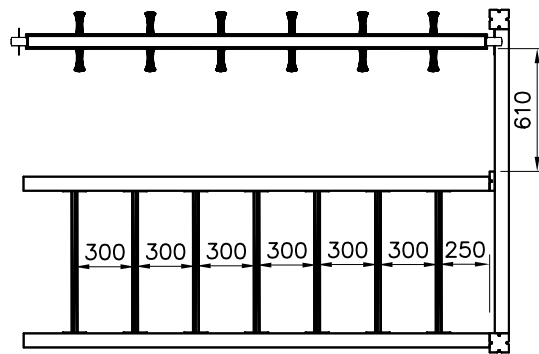
1:50

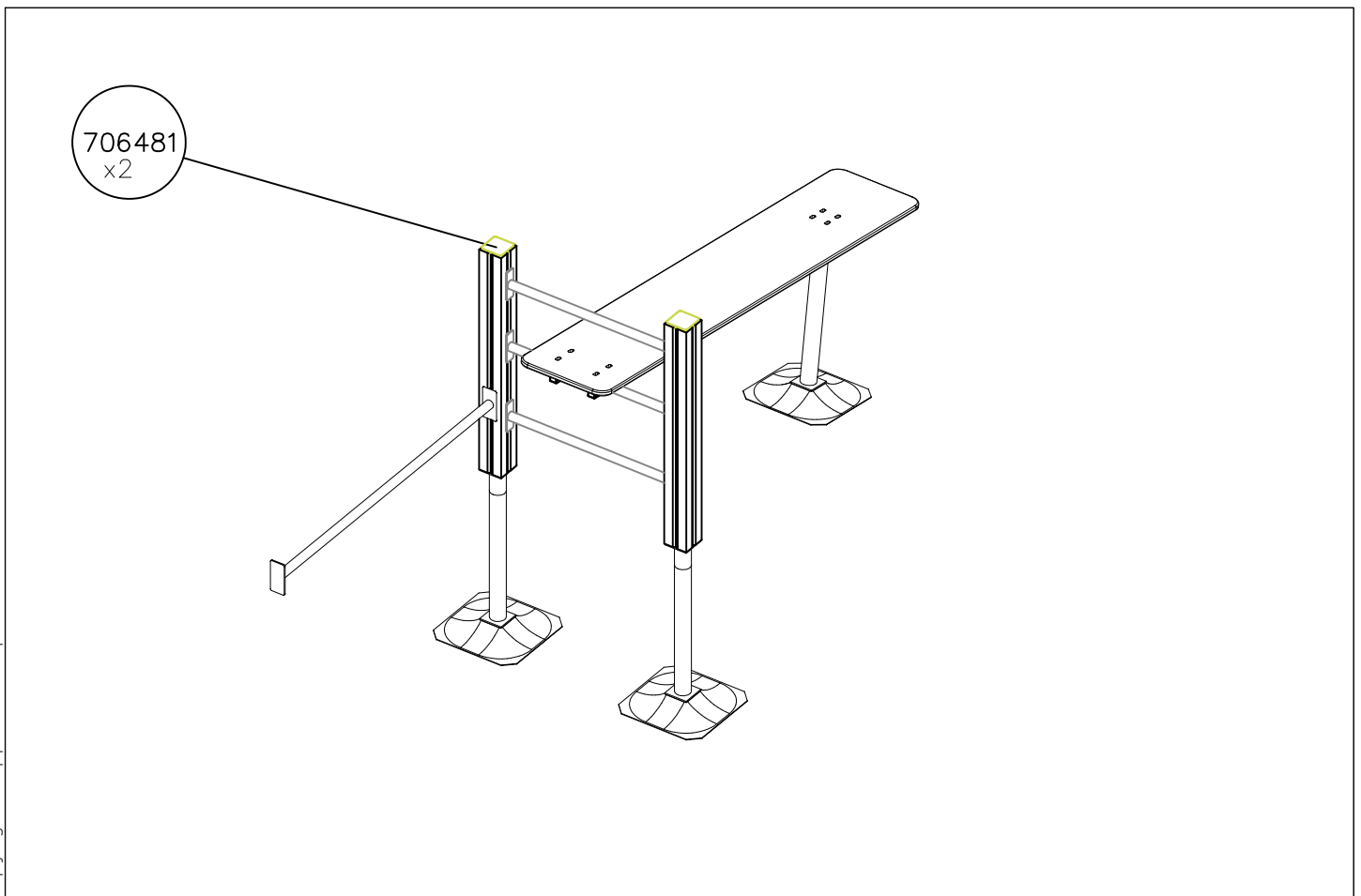
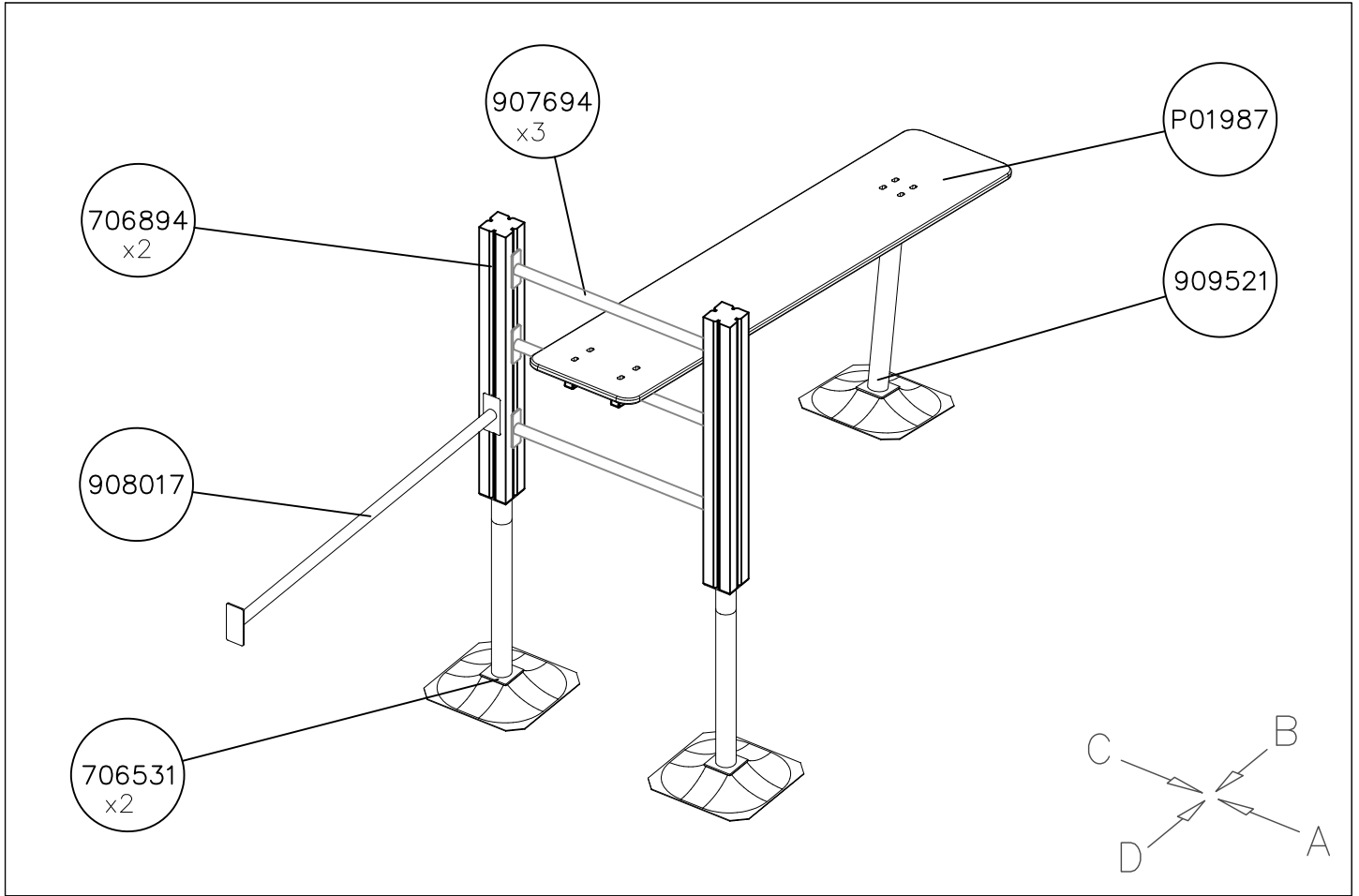
(A)

(B)



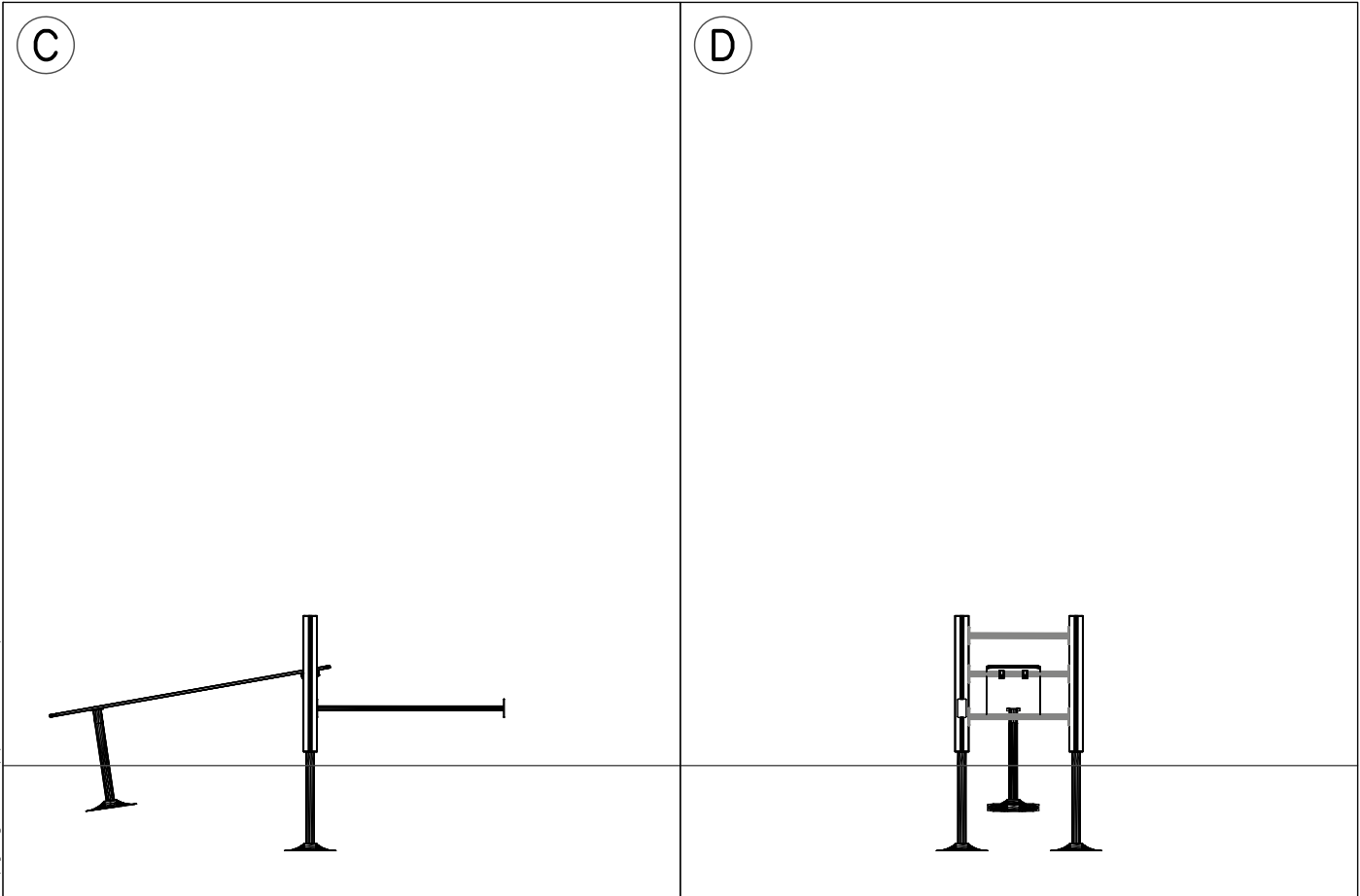
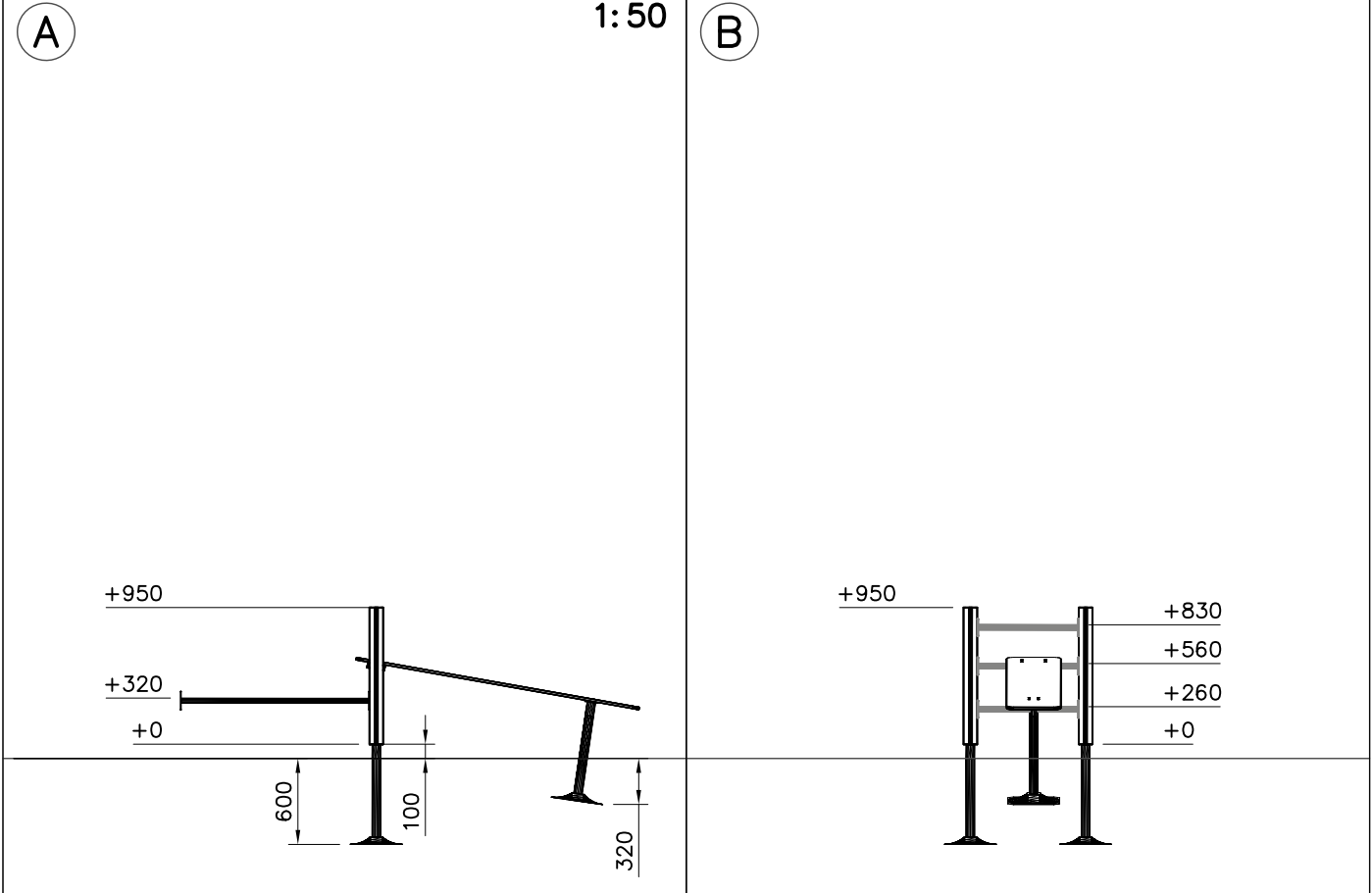
(C)

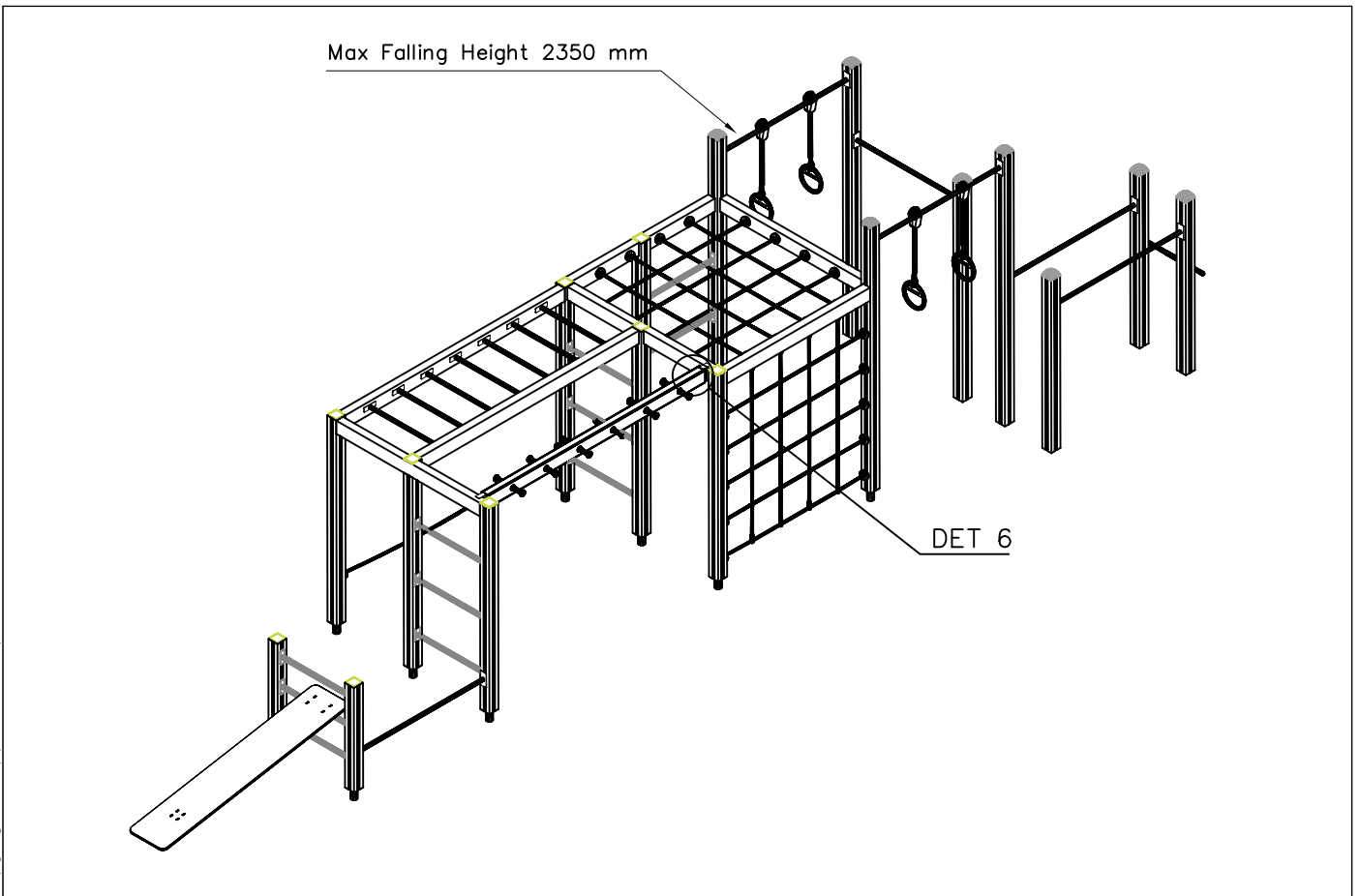
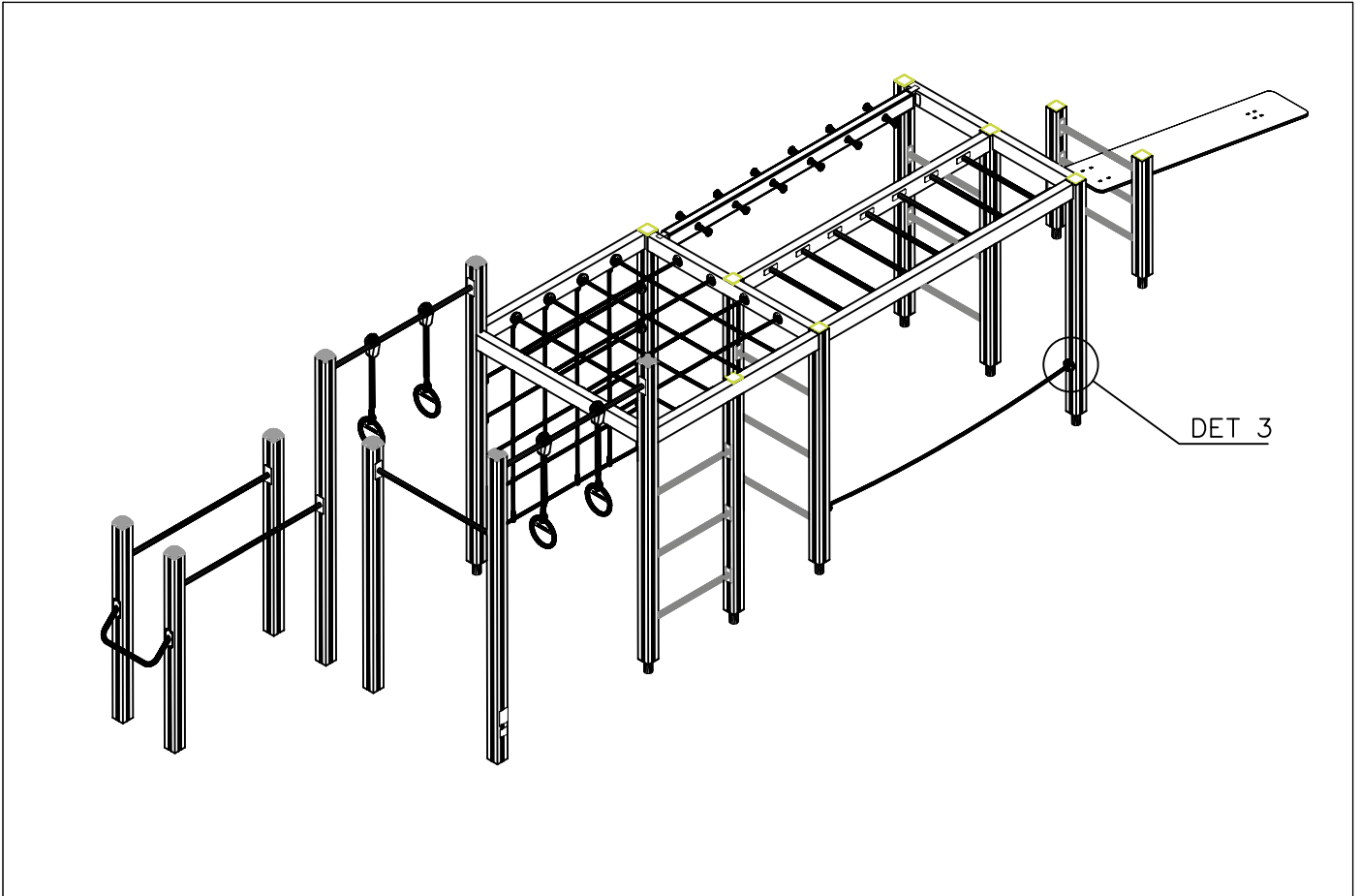




DATE: 27.8.2020

1:50



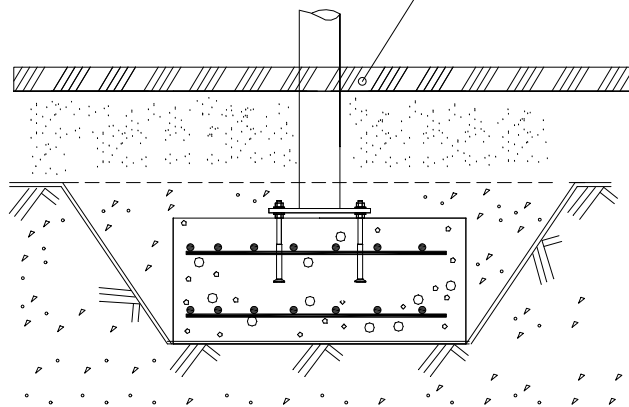


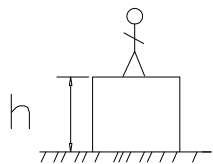
												
<p>$h < 600$</p> <p>Without movement and therefore without Impact Area</p>	<p>Totally hard surfaces.</p> <p>Note. Lappset does <u>not recommend</u> totally hard surfaces at all.</p>	<p>E.g. concrete or asphalt</p> 										
<p>$h < 600$</p> <p>With movement e.g. rocking</p>	<p>Materials with very limited impact attenuating properties.</p>	<p>E.g. wood</p> 										
<p>$h < 1000$</p>	<p>Materials with significant impact attenuating properties.</p>	<p>fine gravel 0–8 mm</p>  <p>grass</p>  <p>unsorted sand</p> 										
<p>$h < 3000$</p>	<p>Loose fill material</p> <p>E.g. sand/gravel 0,25...8 mm D60/D10<3,0 Woodchips 5...30 mm bark 20...80 mm</p>	 <table data-bbox="1021 1691 1332 1792"> <tr> <td>\underline{S}</td> <td>\underline{h}</td> </tr> <tr> <td>30 cm</td> <td>< 2,0 m</td> </tr> <tr> <td>40 cm</td> <td>< 3,0 m</td> </tr> </table>	\underline{S}	\underline{h}	30 cm	< 2,0 m	40 cm	< 3,0 m				
\underline{S}	\underline{h}											
30 cm	< 2,0 m											
40 cm	< 3,0 m											
	<p>Syntethic granulates</p> <table data-bbox="406 1892 758 2060"> <tr> <td>\underline{S}</td> <td>\underline{h}</td> </tr> <tr> <td>40 mm</td> <td>~> 1,2...1,3 m</td> </tr> <tr> <td>50 mm</td> <td>~> 1,5...1,7 m</td> </tr> <tr> <td>60 mm</td> <td>~> 1,8...2,0 m</td> </tr> <tr> <td>70 mm</td> <td>~> 2,1...2,5 m</td> </tr> </table> <p>Note. For accurate values, see manufacturer's instructions.</p>	\underline{S}	\underline{h}	40 mm	~> 1,2...1,3 m	50 mm	~> 1,5...1,7 m	60 mm	~> 1,8...2,0 m	70 mm	~> 2,1...2,5 m	
\underline{S}	\underline{h}											
40 mm	~> 1,2...1,3 m											
50 mm	~> 1,5...1,7 m											
60 mm	~> 1,8...2,0 m											
70 mm	~> 2,1...2,5 m											

REMOVE SAFETY SURFACE/SAND/GRAVEL
TO CHECK FOUNDATION



REMOVE SAFETY SURFACE/SAND/GRAVEL
TO CHECK FOUNDATION





$h < 1000$

Totally hard surfaces or materials with very limited impact attenuating properties.

Totally hard surfaces.
E.g. concrete or asphalt



Case by case risk assessment is needed including e.g. evaluation whether there is forced movement, what is the intended exercise and where will the product be installed.

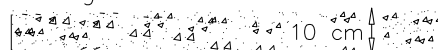
Materials with very limited impact attenuating properties.
E.g. wood



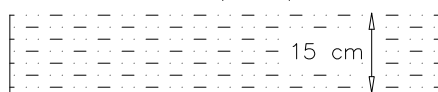
$h < 1200$

Materials with significant impact attenuating properties.

fine gravel 0–8 mm



Unsorted sand/ topsoil



$h < 1500$

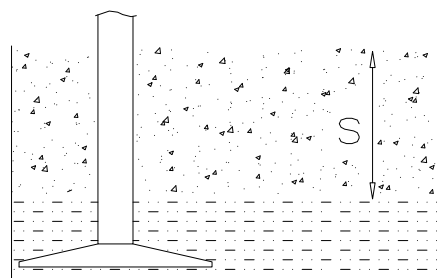
Lawn



$h < 3000$

Loose fill material

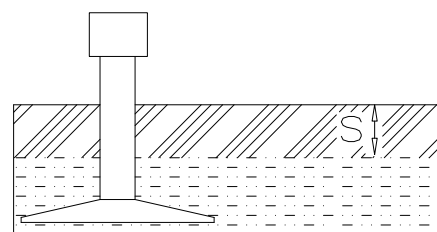
E.g.
sand/gravel 0,25...8 mm $D_{60}/D_{10} < 3,0$
Woodchips 5...30 mm
bark 20...80 mm



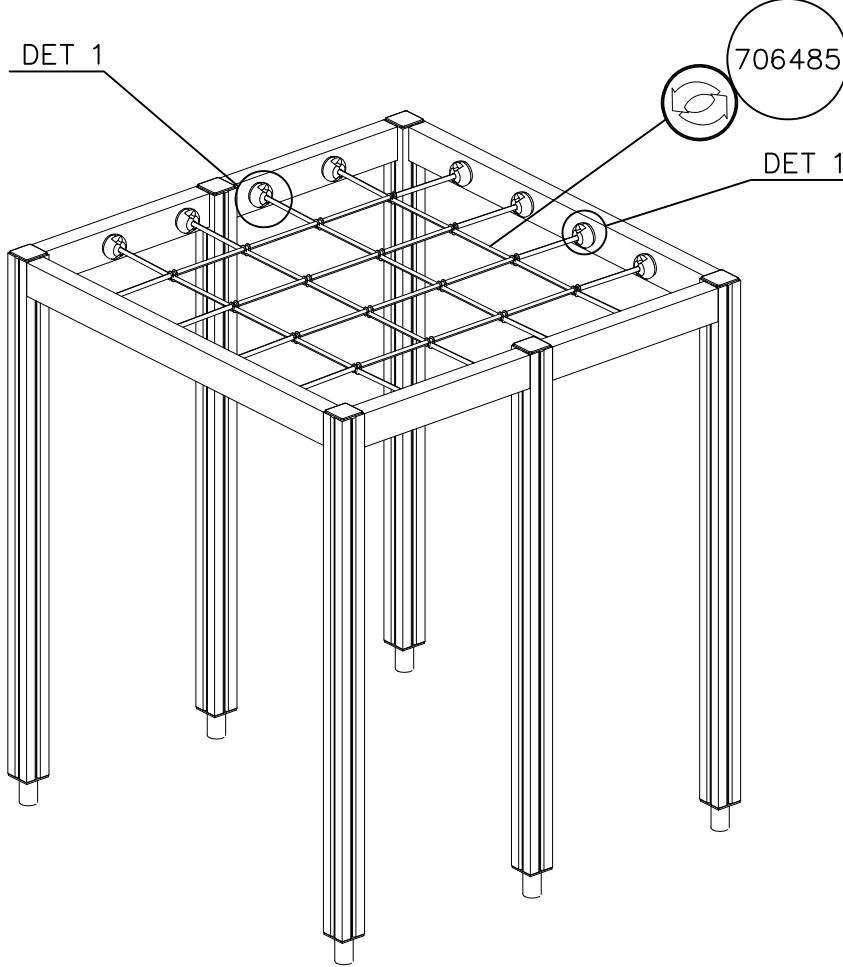
\underline{S}	\underline{h}
30 cm	$< 2,0$ m
40 cm	$< 3,0$ m

Syntetic granulates

\underline{S}	\underline{h}
40 mm	$\sim > 1,2...1,3$ m
50 mm	$\sim > 1,5...1,7$ m
60 mm	$\sim > 1,8...2,0$ m
70 mm	$\sim > 2,1...2,5$ m

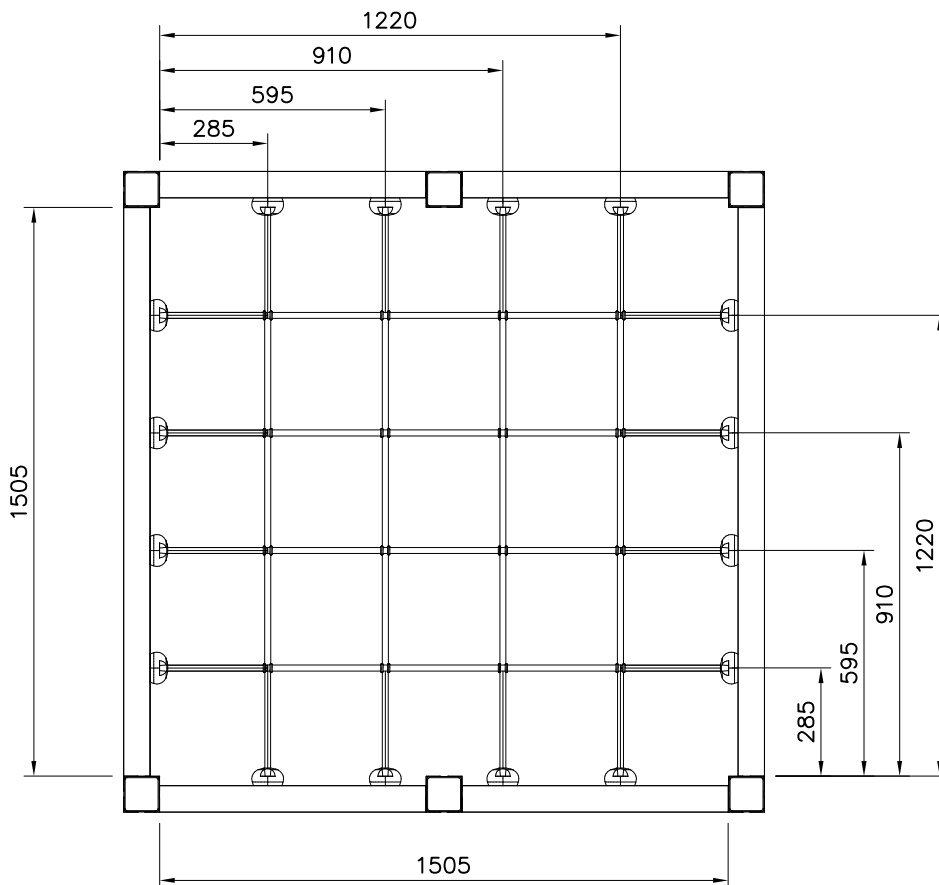


Note. For accurate values, see manufacturer's instructions.



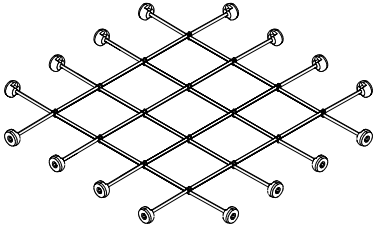
① 706485	PCS	② 980123	PCS
	1		32
1555x1555		Ø7x60	
	PCS	③ 909256	PCS
			32
		Ø16/8.4	
	PCS		PCS
	PCS		PCS

1:20



NET OPTIONS

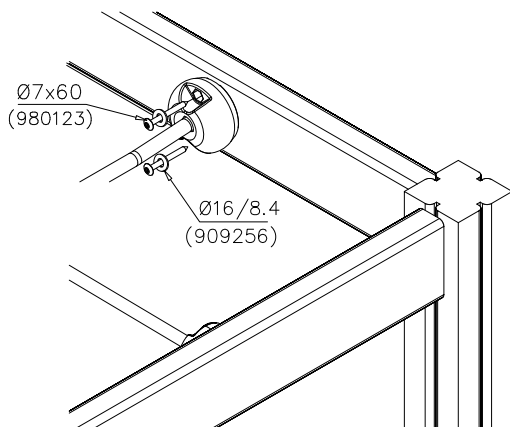
706485

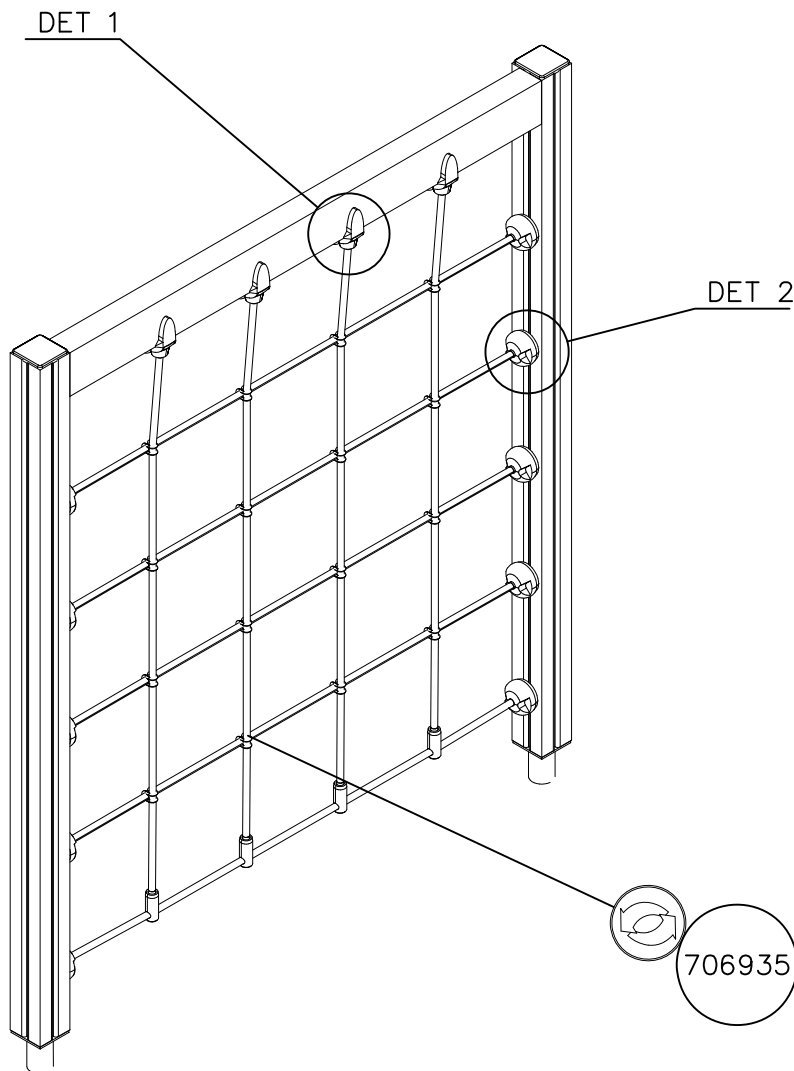


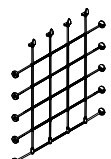



1555x1555

- | | |
|------------|--------|
| 706485-301 | BLUE |
| 706485-302 | RED |
| 706485-303 | BEIGE |
| 706485-304 | GREY |
| 706485-305 | BLACK |
| 706485-306 | YELLOW |

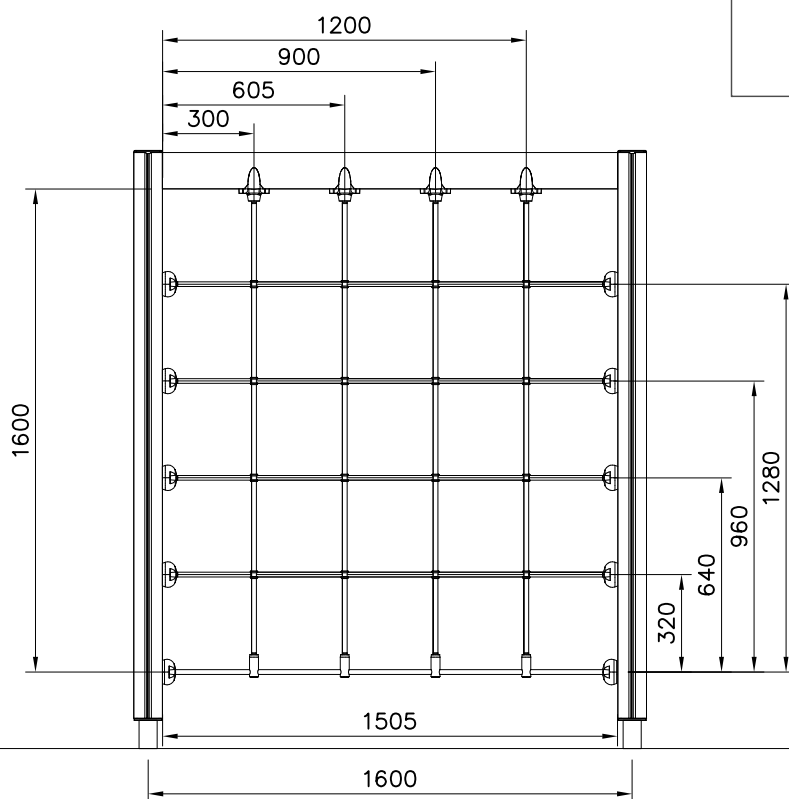
DET 1





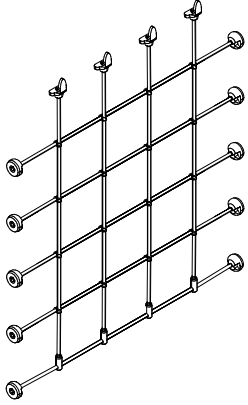
① 706935	PCS	② 900240	PCS
	1		20
1600x1505		Ø8x70	
③ 980128	PCS	④ 980123	PCS
	4		8
Ø7x40		Ø7x60	
	PCS		PCS
	PCS		PCS
	PCS		PCS

1:25



NET OPTIONS

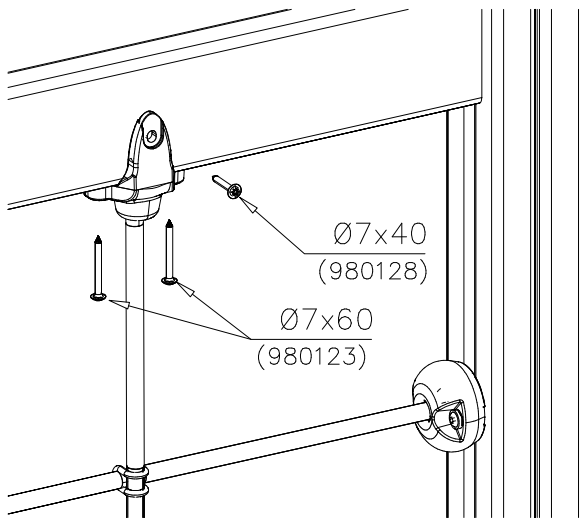
706935



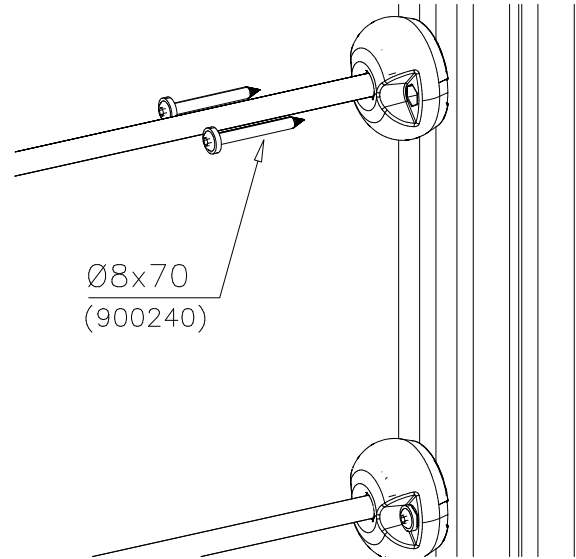
1600x1505

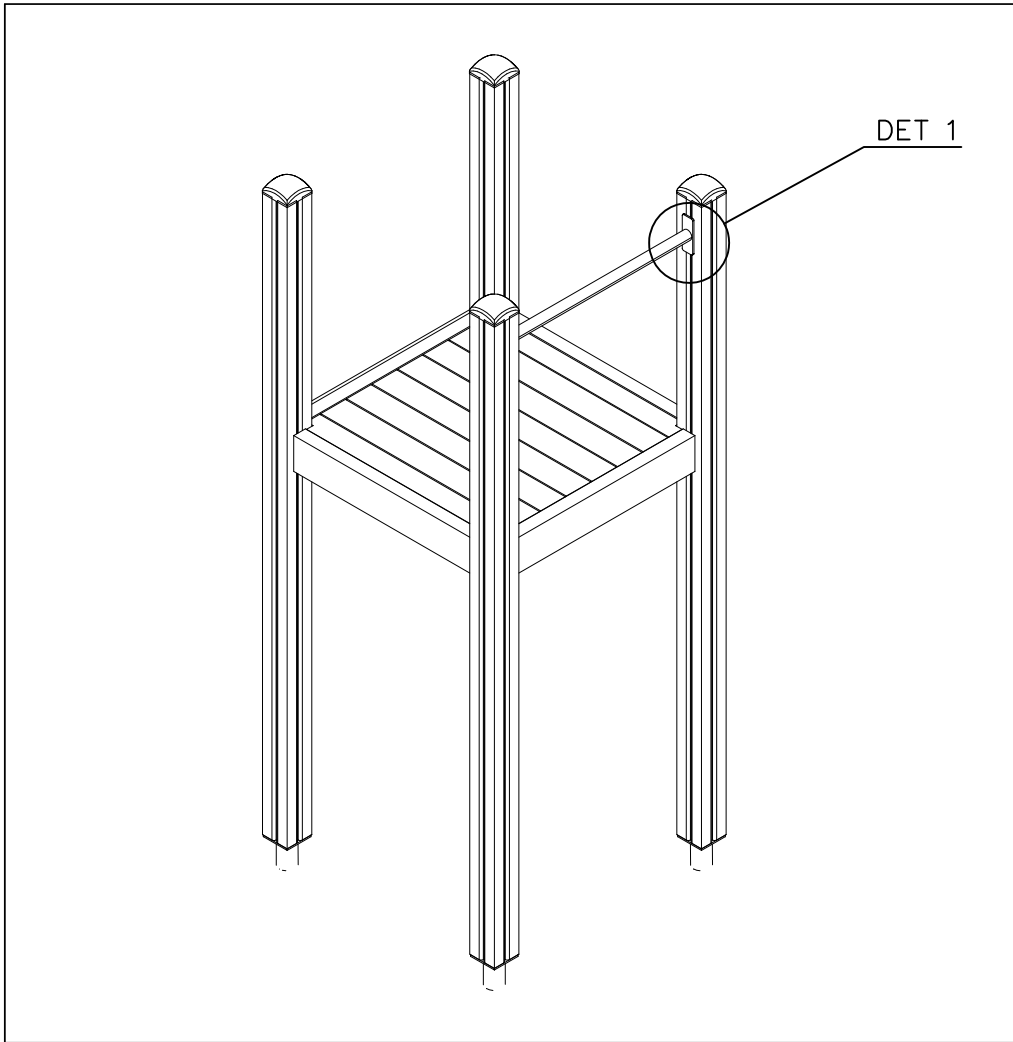
- | | |
|------------|--------|
| 706935-301 | BLUE |
| 706935-302 | RED |
| 706935-303 | BEIGE |
| 706935-304 | GREY |
| 706935-305 | BLACK |
| 706935-306 | YELLOW |

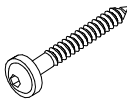
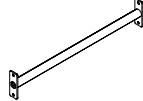
DET 1



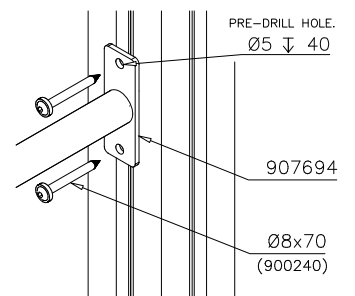
DET 2





 ① 900240 Ø8x70	PCS		PCS
	4		
	PCS		PCS
 ○ 765	PCS		PCS
	1		
	PCS		PCS
	PCS		PCS

DET 1



**Tuotekyltti tulee tuotteen mukana yhdellä seuraavista tavoista:****1) Metallinen tuotekyltti ja kiinnitysruuvit**

- Kiinnitä tuotekyltti ruuveilla tolppaan noin 2 metrin korkeuteen kuvan 1 mukaisesti.

2) Tuotekylttitarra

- Puhdista maalattu metalli- tai vaneripinta pölystä ja kosteudesta. Liimaa tarra kuvan 2 mukaisesti.
- Huom. Älä kiinnitä tarraa karheapintaiseen laminaattiin tai maalattuun puuhun.

Vår produktmärkning levereras på ett av följande sätt:**1) Produktskylt i metall**

- Fäst skylten med de medföljande skruvarna

2) Självhäftande produktetikett

- Rengör den pulverlackerade metallytan eller laminatyten så att den blir fri från smuts och fukt. Fäst etiketten enligt fig. 2.
- Obs! Fäst ej etiketten på detaljer med skrovlig yta eller på målat trä.

Product label is delivered by one of following ways:**1) Metal product label and screws**

- Fasten the label with screws.

2) Label sticker

- Clean the painted metal or plywood surface from dirt and moisture. Fasten the sticker as shown in the figure 2.
- Note. Do not attach the sticker to rough surfaced laminate or painted wood.

La plaque d'informations produit est livrée sous l'une de ces 3 formes :**1) Plaque métallique et vis**

- Fixez la plaque à l'aide des vis.

2) Etiquette autocollante

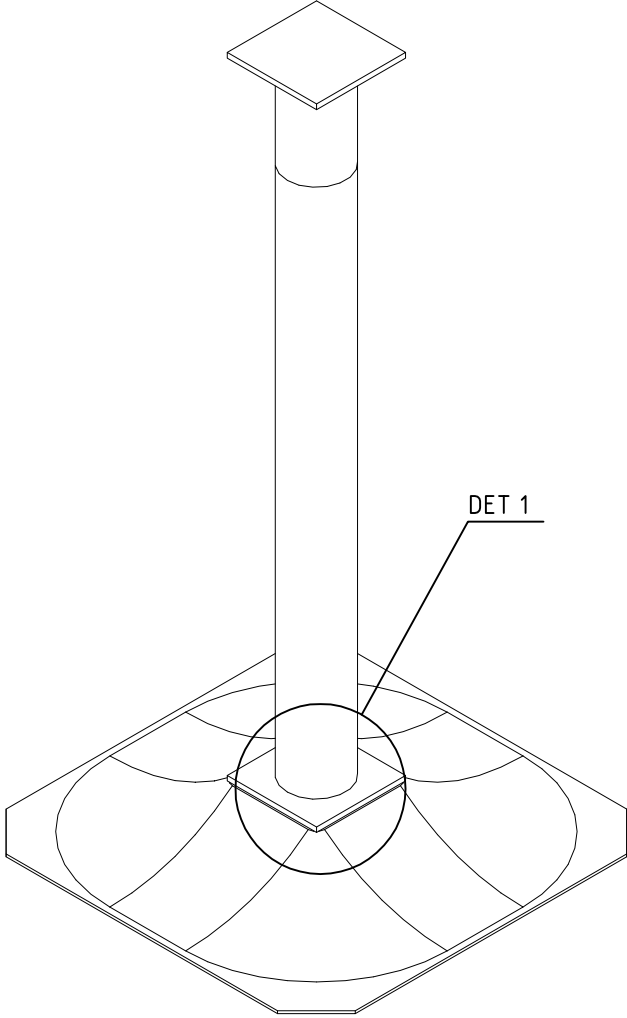
- Avant de coller l'étiquette, nettoyez le composant métallique peint ou la plaque de contreplaqué, de toute saleté. La surface doit être sèche (voir image 2).
- Attention, ne pas coller l'étiquette sur une surface lamellé-collée irrégulière ou sur du bois peint.


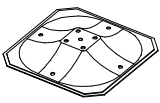


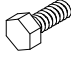
Die Auslieferung des Produktaufklebers erfolgt auf eine dieser Arten:**1) Produkt-Schild aus Metall incl. Schrauben**

- Die Befestigung des Schildes erfolgt mittels der Schrauben.

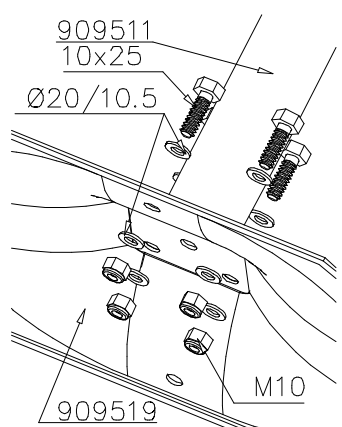
2) Aufkleber

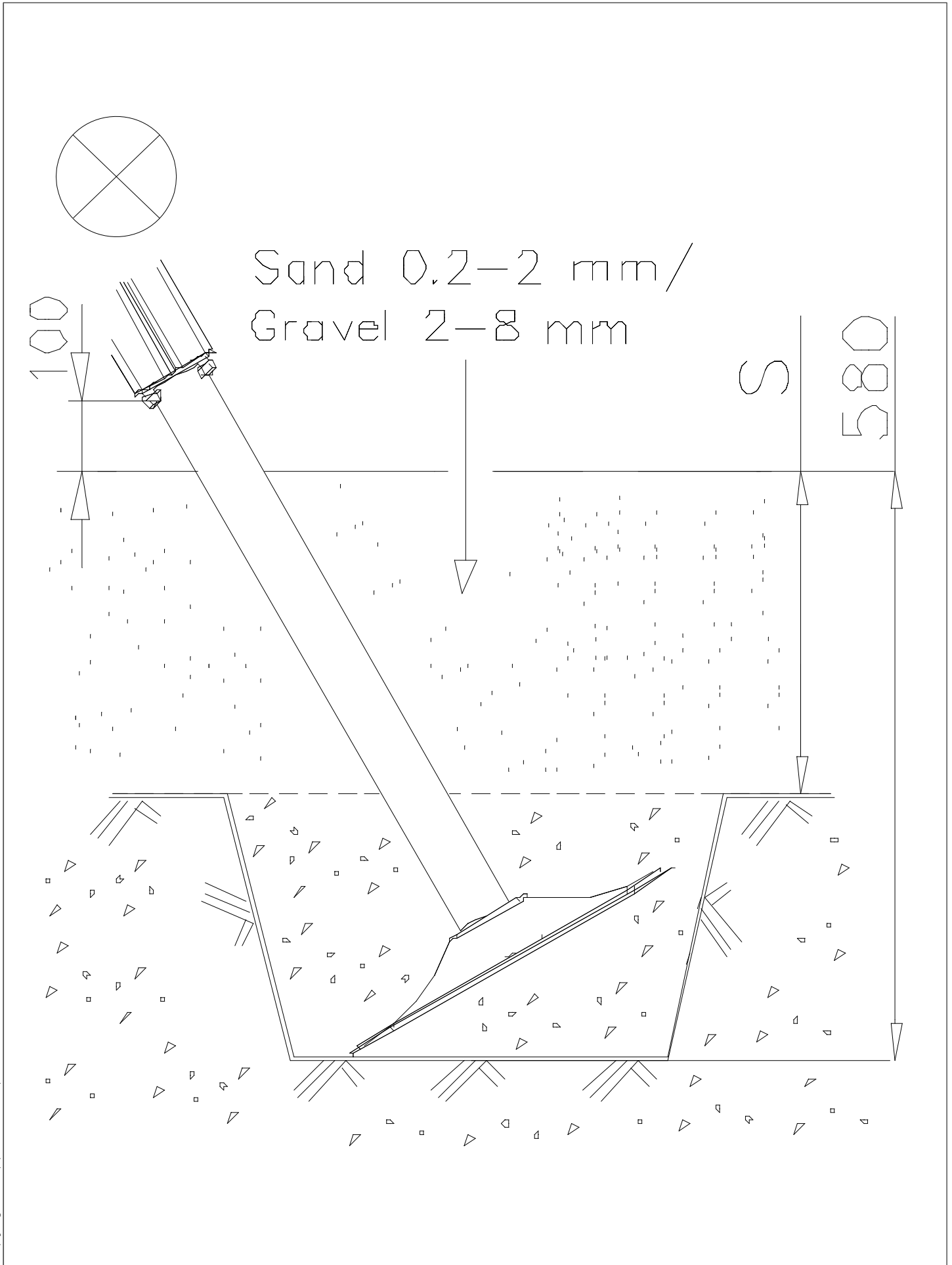
- Entfernen Sie zunächst Schmutz und Feuchtigkeit vom lackierten Metall bzw. von der Holzoberfläche und bringen Sie den Aufkleber wie im Bild oben rechts beschrieben auf den gesäuberten Untergrund auf.
- Beachten Sie: Bringen Sie den Aufkleber nicht auf raues laminiertes oder lackiertes Holz an.

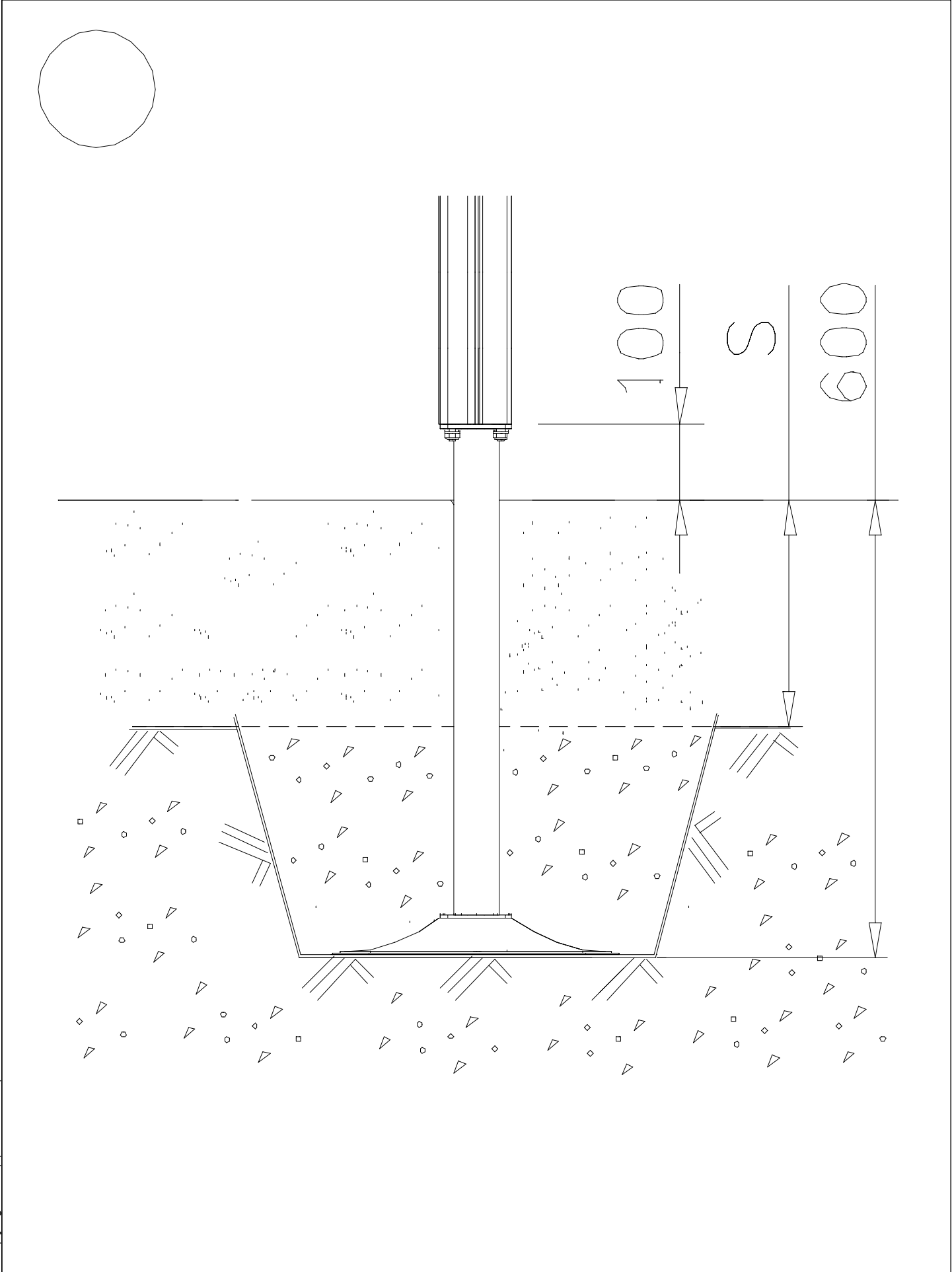


①	909511	PCS	②	909519	PCS
		1			1
③	909637	PCS	④	909638	PCS
		4			8
	M10			Ø20/10.5	
⑤	909639	PCS			PCS
		4			
	M10x25				
		PCS			PCS
		PCS			PCS
		PCS			PCS
		PCS			PCS
		PCS			PCS

DET 1





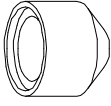


LAPPSET® BETON FOUNDATION

FOOT

DATE: 27.10.2015

1(1)

② 905104	PCS		PCS
	4		
			
	M10		
	PCS		PCS



905104

LAPPSET® DEEP FOUNDATION

FOOT

DATE: 15.5.2018

1(1)



①	909511	PCS	②	909519	PCS
		1			1
	90x90x650			50x380x380	

③	909637	PCS	④	909638	PCS
		4			8
	M10			Ø20/10.5	

⑤	909639	PCS	⑥	905104	PCS
		4			4
	M10x25			M10	

OPTION FOOT

①	911155	PCS			PCS
		1			
	90x90x650				