

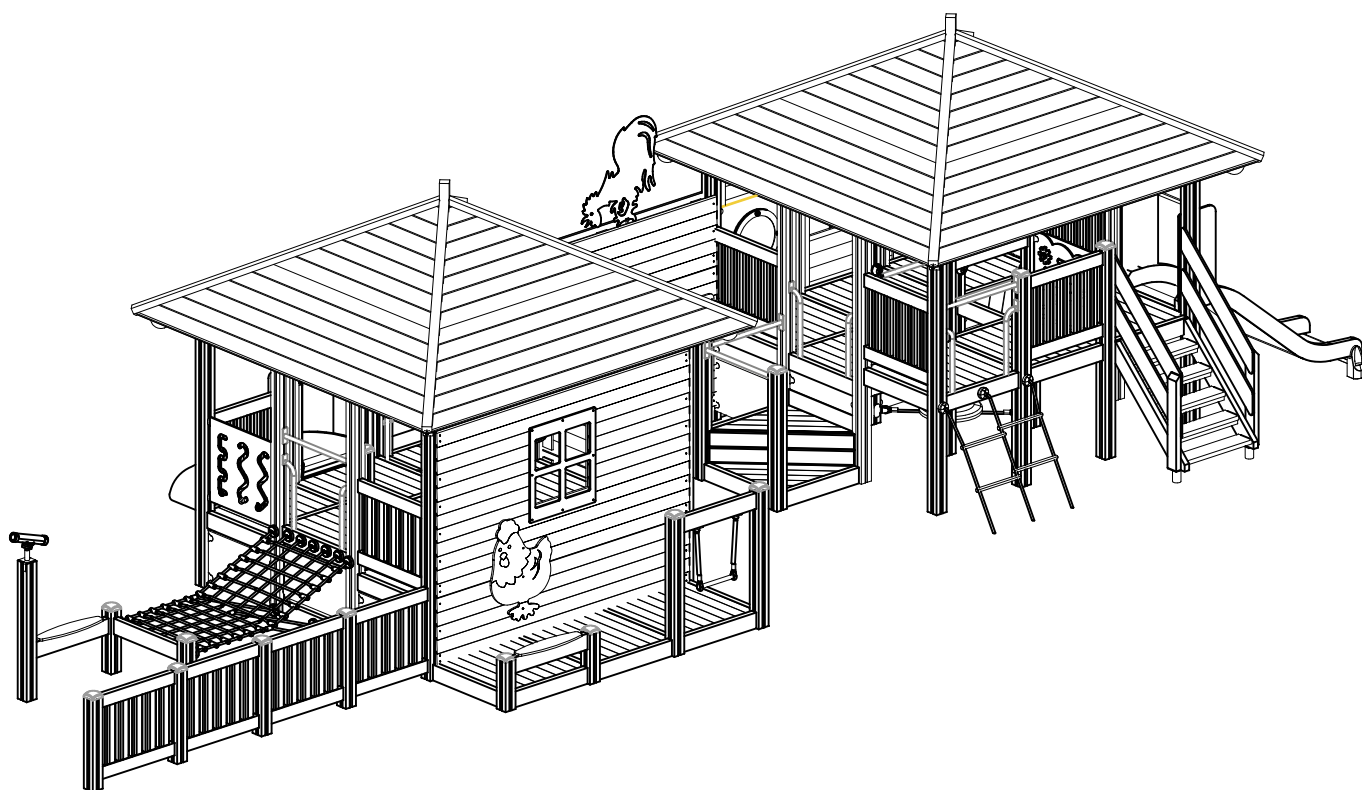
LAPPSET®

FINNO

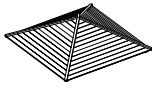

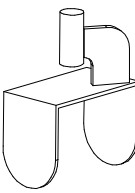

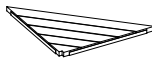
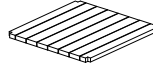

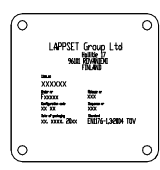
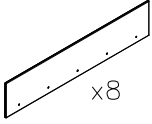

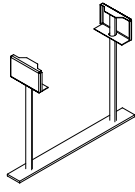

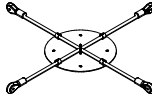


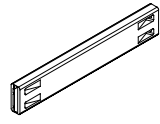
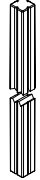
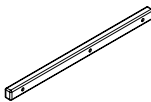
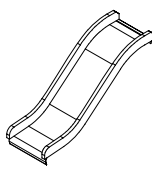
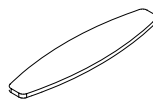
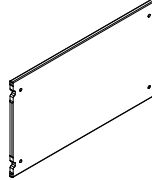
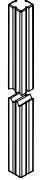
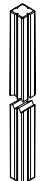

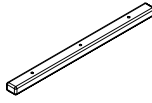
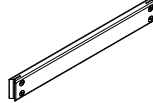

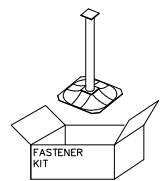
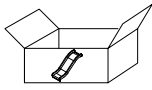
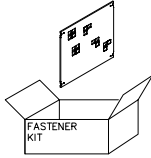
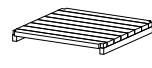
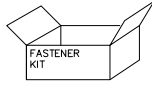
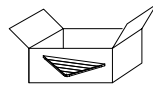
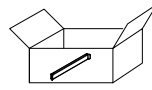
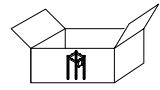

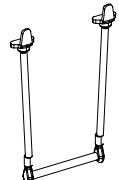
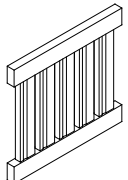
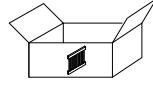
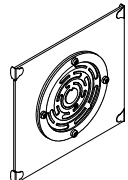
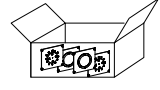

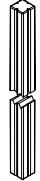
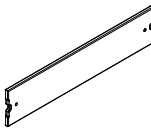
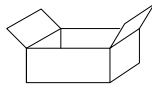
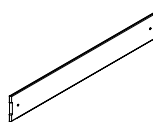
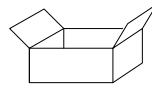
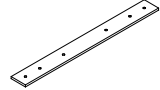
ASENNUSOHJE
MONTERINGSANSVISNING
INSTALLATION INSTRUCTION
AUFBAUANLEITUNG
NOTICE D'INSTALLATION


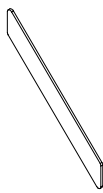

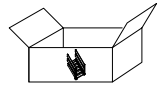
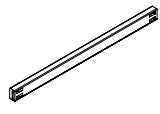
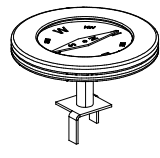
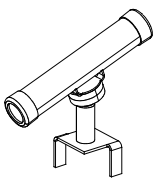

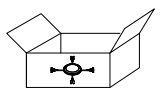
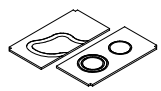
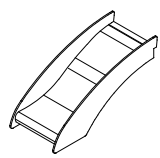
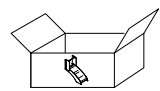
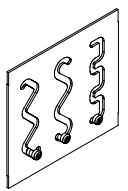
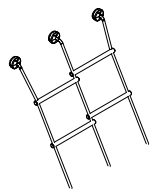
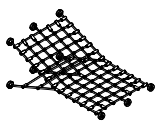
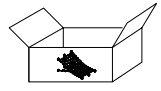
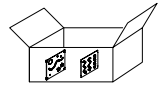
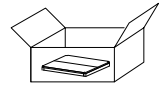
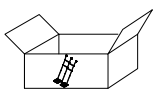
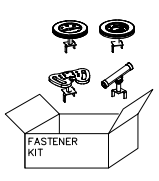
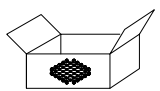
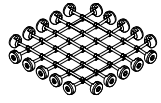
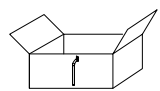
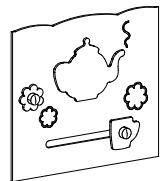
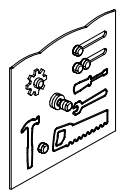
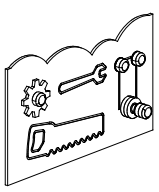
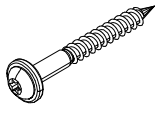
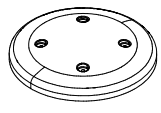
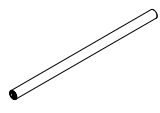
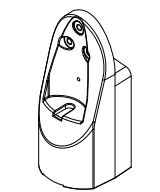
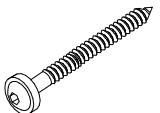
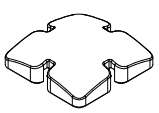
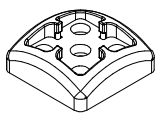
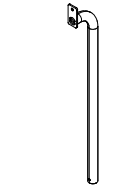
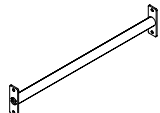
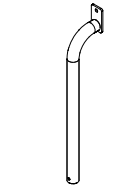

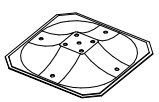
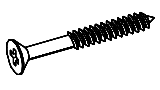
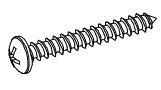
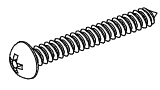
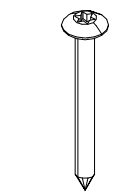
DATE: 17.2.2021

Q14634


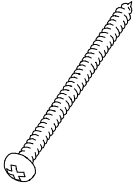

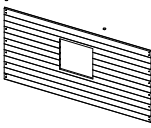

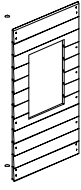


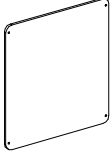
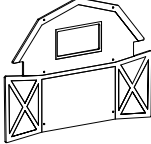
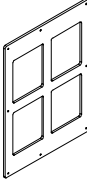
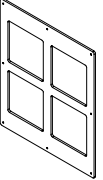

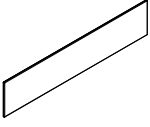
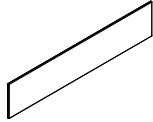
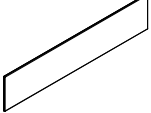


DATE: 17.2.2021

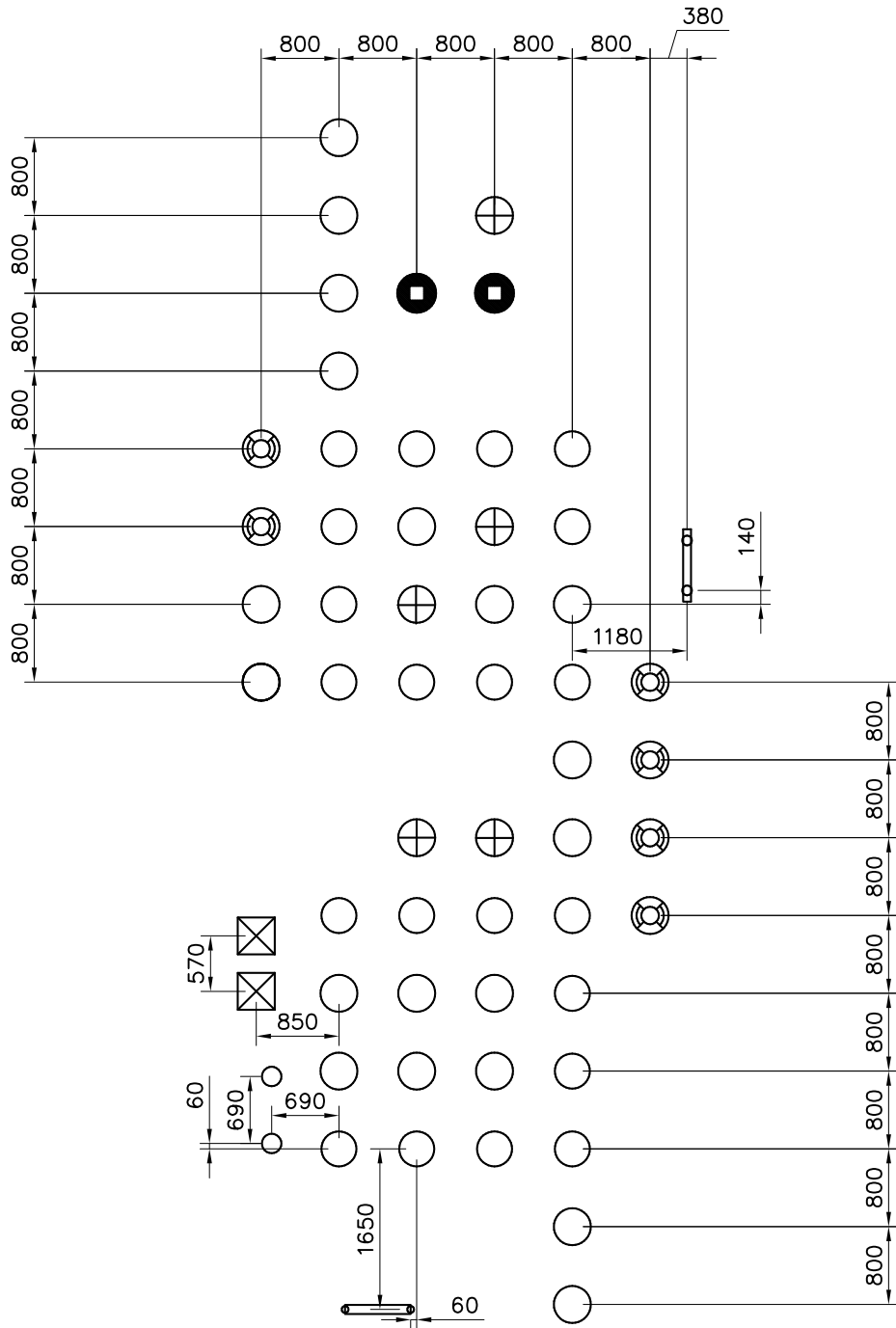
| | | | | | | | | | | | |
|--|----------|--|-----------|--|-----------|--|-----------|---|-----------|--|------------|
| 002798  x8  | PCS 2 | 003894   | PCS 1 | 008985  32x714x714 | PCS 6 | 008986  750x750 | PCS 20 | 701401-603  93x93x1250 | PCS 7 | 702286  65x65 | PCS 2 |
| 703719  x8  | PCS 2 | 704431   | PCS 1 | 706059-305  L 926 | PCS 1 | 706371-702  15x751x343 | PCS 2 | 706371-706  15x345x750 | PCS 2 | 706439-603  L 704 | PCS 110 |
| 706441-603  93x93x1550 | PCS 9 | 706443  32x45x702 | PCS 40 | 706452-603  600x780x1470 | PCS 1 | 706453  15x145x600 | PCS 5 | 706461  15x400x703 | PCS 10 | 706466-603  L 1025 | PCS 2 |
| 706484-603  93x93x2150 | PCS 9 | 706505  35x70x730 | PCS 4 | 706508  32x45x650 | PCS 22 | 706510-603  45x120x1030 | PCS 7 | 706511-603  93x93x1870 | PCS 1 | 706531  FASTENER KIT | PCS 2 |
| 706533  | PCS 1 | 706534  FASTENER KIT | PCS 10 | 706535   FASTENER KIT | PCS 20 | 706537  | PCS 6 | 706538  | PCS 7 | 706559  | PCS 1 |
| 706577-603  93x93x600 | PCS 6 | 706600-305  1 | PCS 1 | 706746-607  45x640x701 | PCS 12 | 706748  | PCS 12 | 706766-702  2 | PCS 2 | 706778   | PCS 5 |
| 706810-603  93x93x2650 | PCS 8 | 706896  15x150x703 | PCS 6 | 706897  | PCS 6 | 706898  15x150x1003 | PCS 1 | 706900  | PCS 1 | 707133  10x80x745 | PCS 1 |

| | | | | | | | | | | | |
|---|------------|---|-----------|---|------------|---|----------|---|-----------|---|-----------|
| 707145-603 | PCS 2 | 707146-706 | PCS 4 | 707191-603 | PCS 1 | 707224 | PCS 1 | 707294-603 | PCS 8 | 707303-701 | PCS 1 |
|  | |  | |  | |  | |  | |  | |
| 43x93x717 | | 15x145x1153 | | +870 | | | | 70x120x2304 | | | |
| 707304 | PCS 1 | 707315 | PCS 4 | 707373 | PCS 1 | 707375-702 | PCS 2 | 707376-702 | PCS 1 | 707381 | PCS 1 |
|  | |  | |  | |  | |  | |  | |
| | | | | | | 15x375x750 | | | | | |
| 707386-702 | PCS 1 | 707390-305 | PCS 1 | 707425-305 | PCS 1 | 707432 | PCS 1 | 707450 | PCS 1 | 707515 | PCS 1 |
|  | |  | |  | |  | |  | |  | |
| 10x640x702 | | | | | | | | | | | |
| 707546 | PCS 1 | 707585 | PCS 2 | 707588 | PCS 1 | 707590-305 | PCS 1 | 707732 | PCS 10 | 709358-702 | PCS 1 |
|  | |  | |  | |  | |  | |  | |
| | | FASTENER KIT | | | | 755x755 | | | | 79x640x702 | |
| 709403-702 | PCS 1 | 709405-702 | PCS 1 | 900240 | PCS 32 | 900733 | PCS 1 | 901868 | PCS 4 | 901879 | PCS 2 |
|  | |  | |  | |  | |  | |  | |
| 132x640x702 | | 130x420x702 | | Ø8x70 | | Ø450x83 | | Ø30x598 | | | |
| 903093 | PCS 472 | 905138 | PCS 28 | 905196 | PCS 28 | 907688-216 | PCS 3 | 907694-216 | PCS 8 | 907701-216 | PCS 7 |
|  | |  | |  | |  | |  | |  | |
| Ø8x90 | | GRAY | | GRAY | | | | L 704 | | | |
| 909511 | PCS 2 | 909519 | PCS 53 | 980100 | PCS 292 | 980114 | PCS 8 | 980122 | PCS 32 | 980123 | PCS 20 |
|  | |  | |  | |  | |  | |  | |
| 90x90x650 | | 50x380x380 | | 5x60 | | Ø4x20 | | 5x30 | | Ø7x60 | |

DATE: 17.2.2021

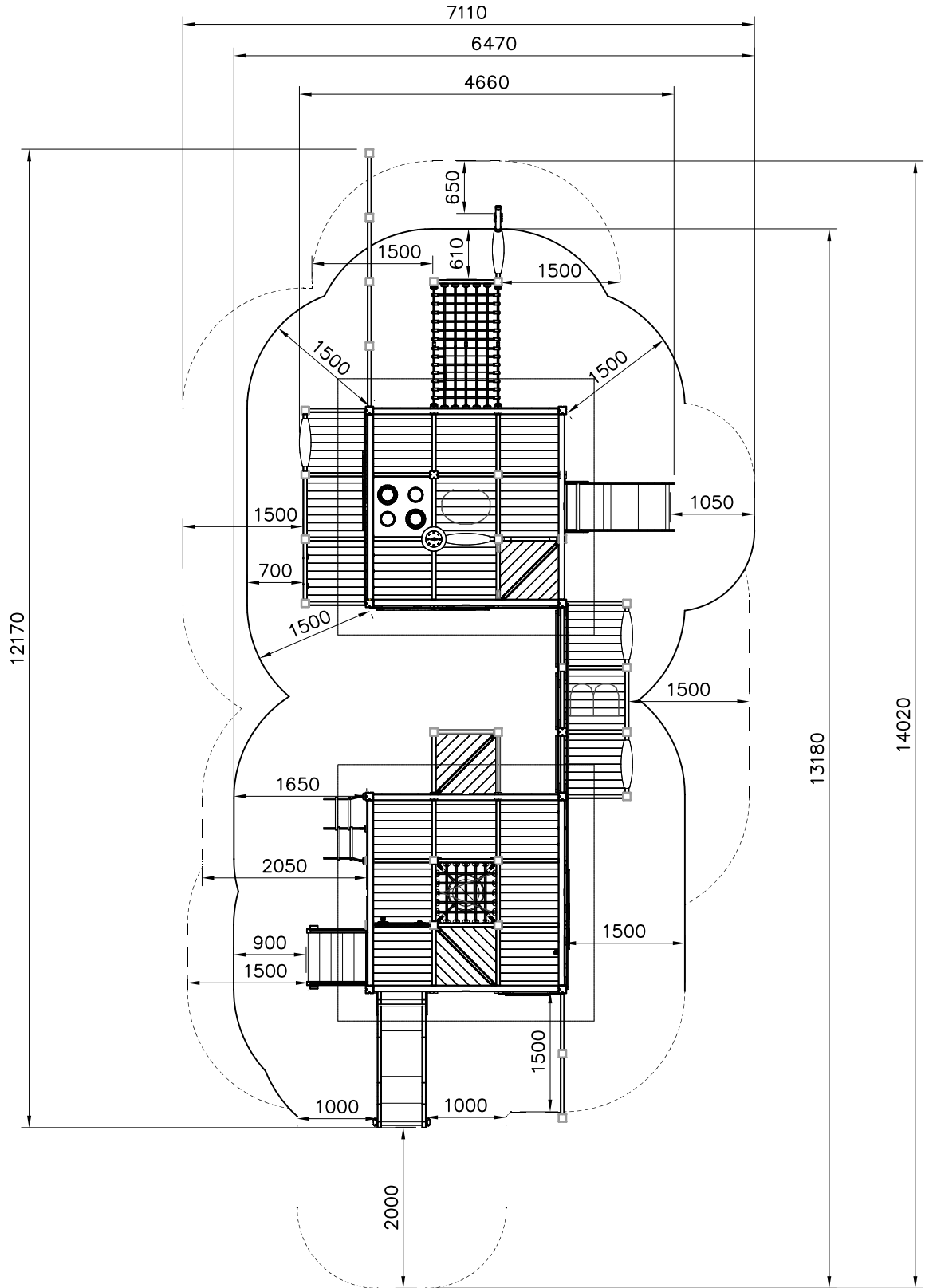
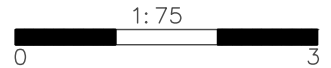
| | | | | | | | | | | | |
|---|-----------|--|------------|---|----------|--|-----------|---|-----------|---|----------|
| 980128  7x40 | PCS 36 | 980131  Ø6x60 | PCS 112 | P14471  2400 | PCS 9 | P14472  2400 | PCS 3 | P14486  93x93x2650 | PCS 13 | P14487  10x620x720 | PCS 1 |
| P14488  | PCS 1 | P14489  | PCS 2 | P14491  | PCS 5 | P14492  | PCS 1 | P14493  | PCS 1 | P14516  | PCS 3 |
| P00026  | PCS 1 | P15037  17/22x122x794 | PCS 1 | P15038  17/22x122x2394 | PCS 3 | P06610 WHITE BOARD FOR CORNERS  15x95x3000 | PCS 13 | | PCS | | PCS |
| | PCS | | PCS | | PCS | | PCS | | PCS | | PCS |
| | PCS | | PCS | | PCS | | PCS | | PCS | | PCS |
| | PCS | | PCS | | PCS | | PCS | | PCS | | PCS |
| | PCS | | PCS | | PCS | | PCS | | PCS | | PCS |

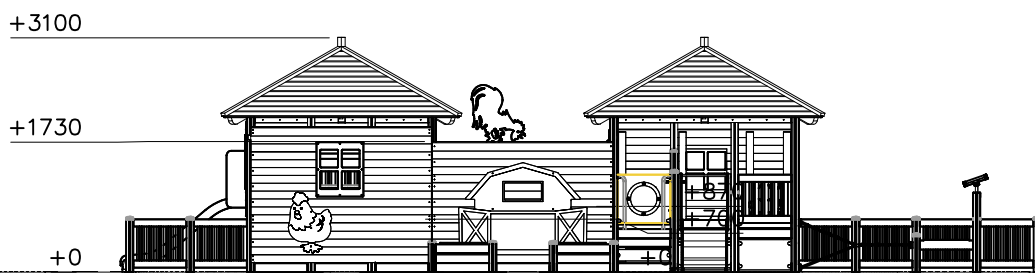
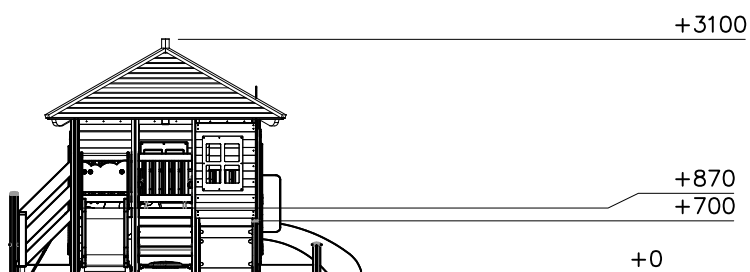
EN/AS Impact Area 59.9 m²

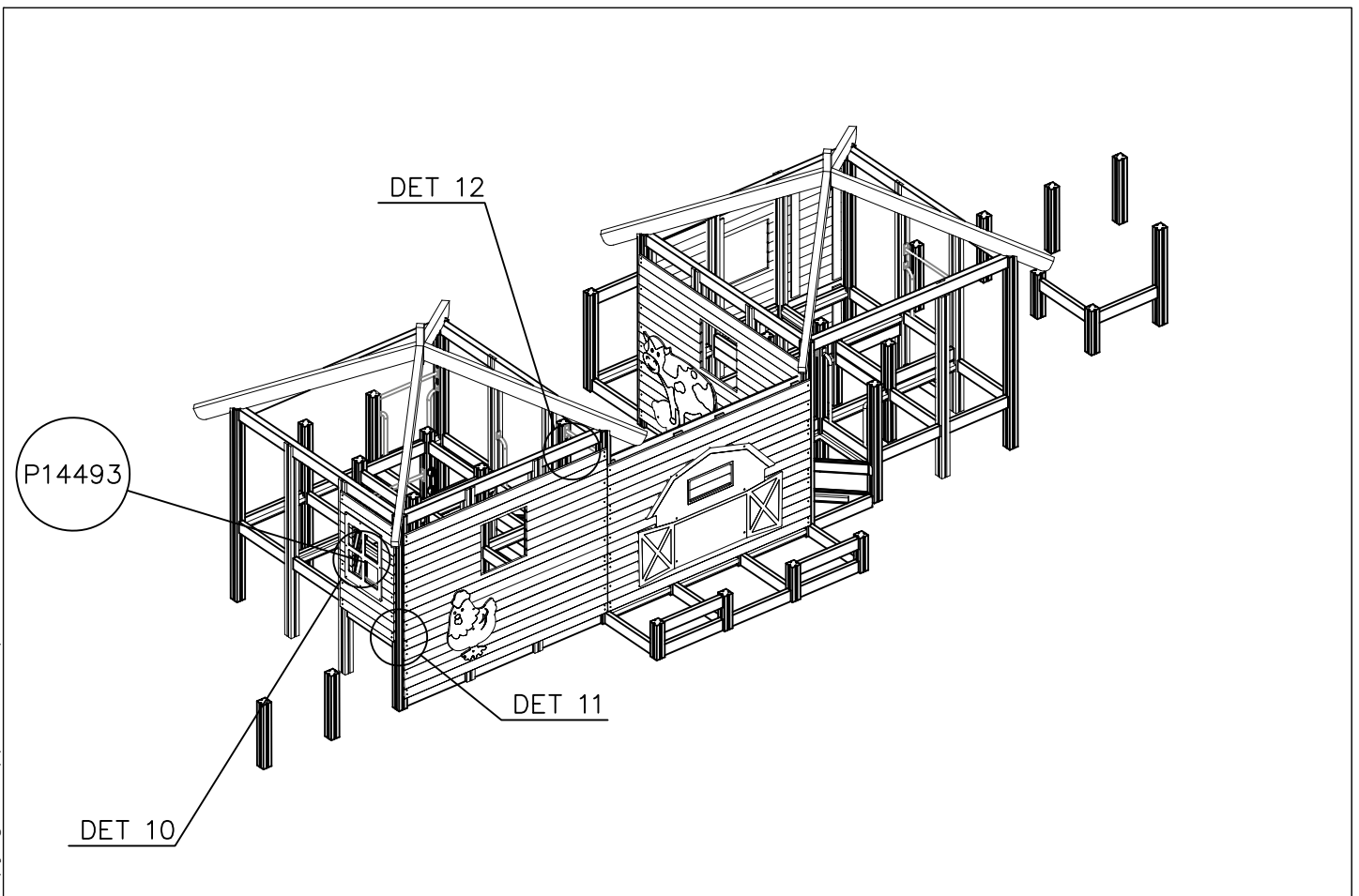
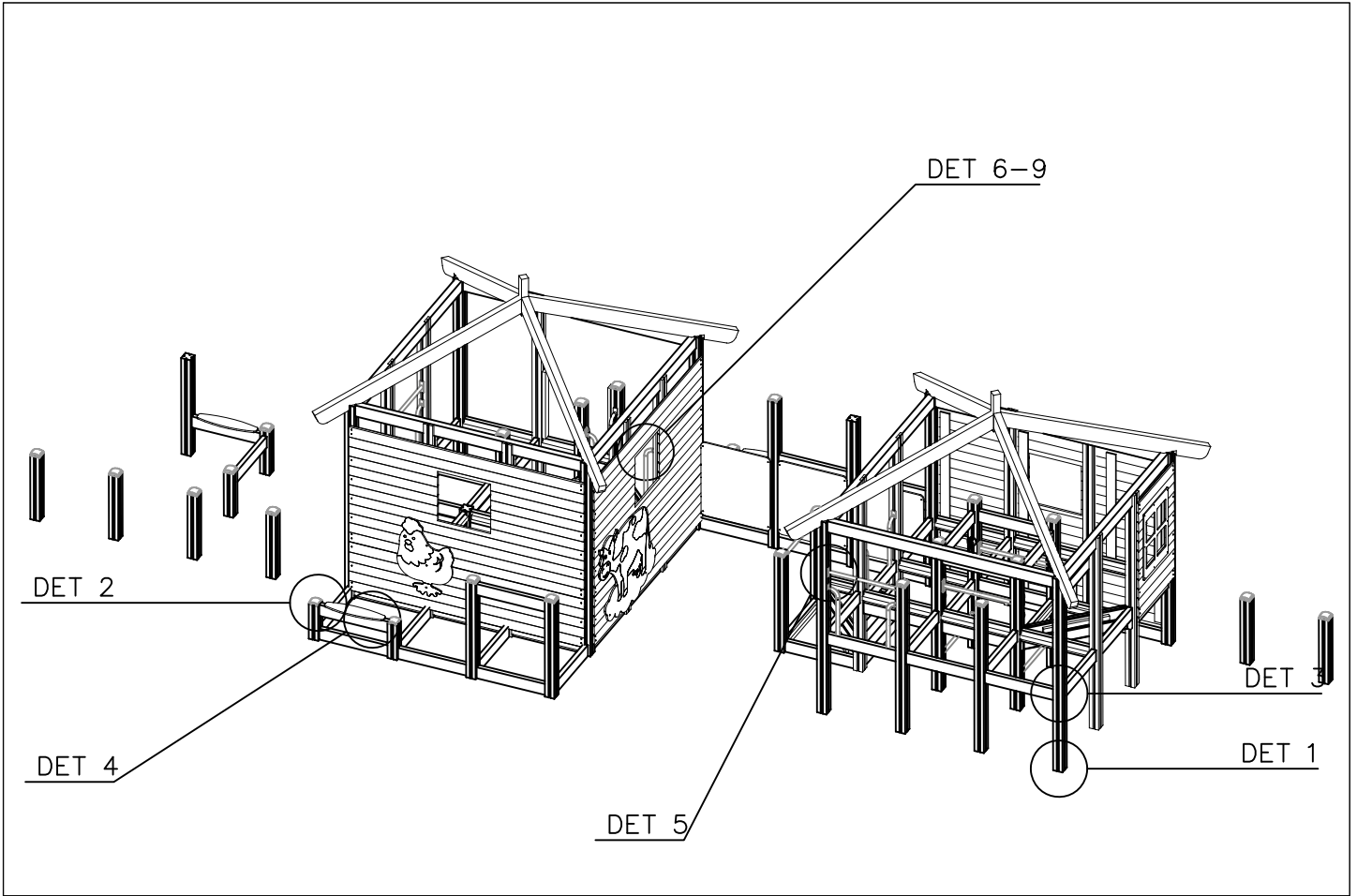


| | | |
|--|--|--|
| | | |
| | | |
| | | |
| | | |

- EN/AS Impact Area 59.9 m²
- - - Falling Space 77.8 m²
Max Falling Height 1000 mm

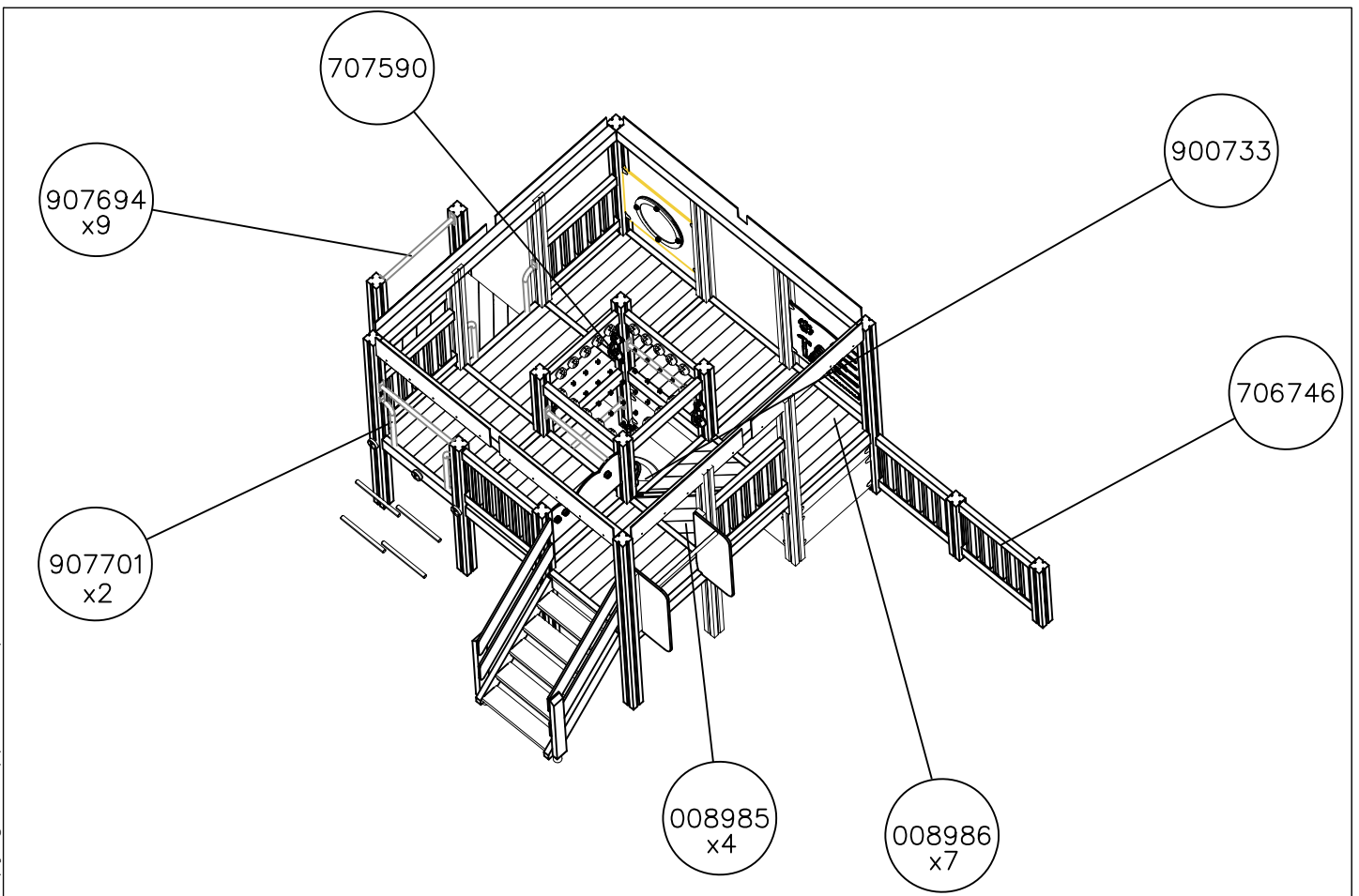
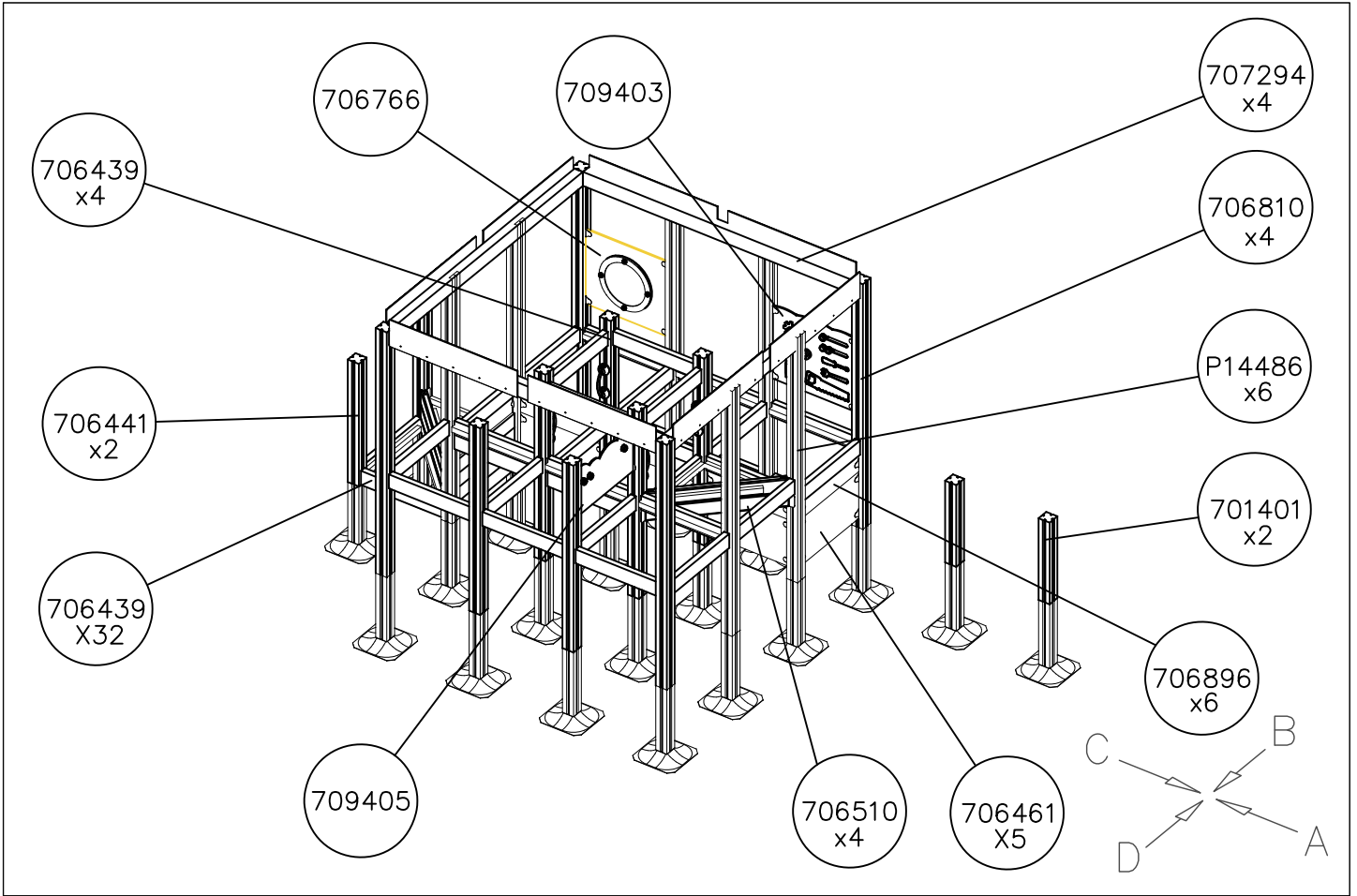






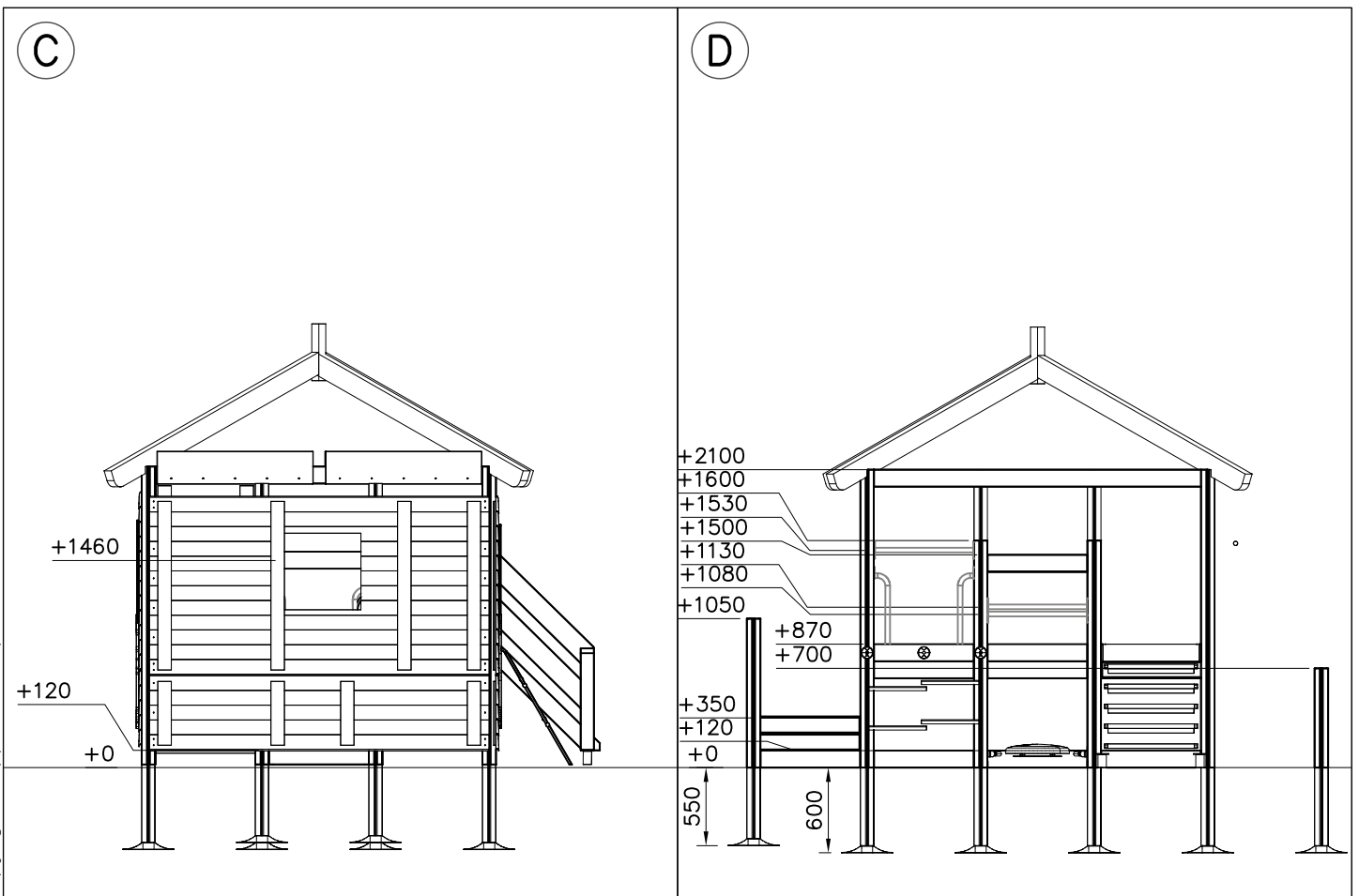
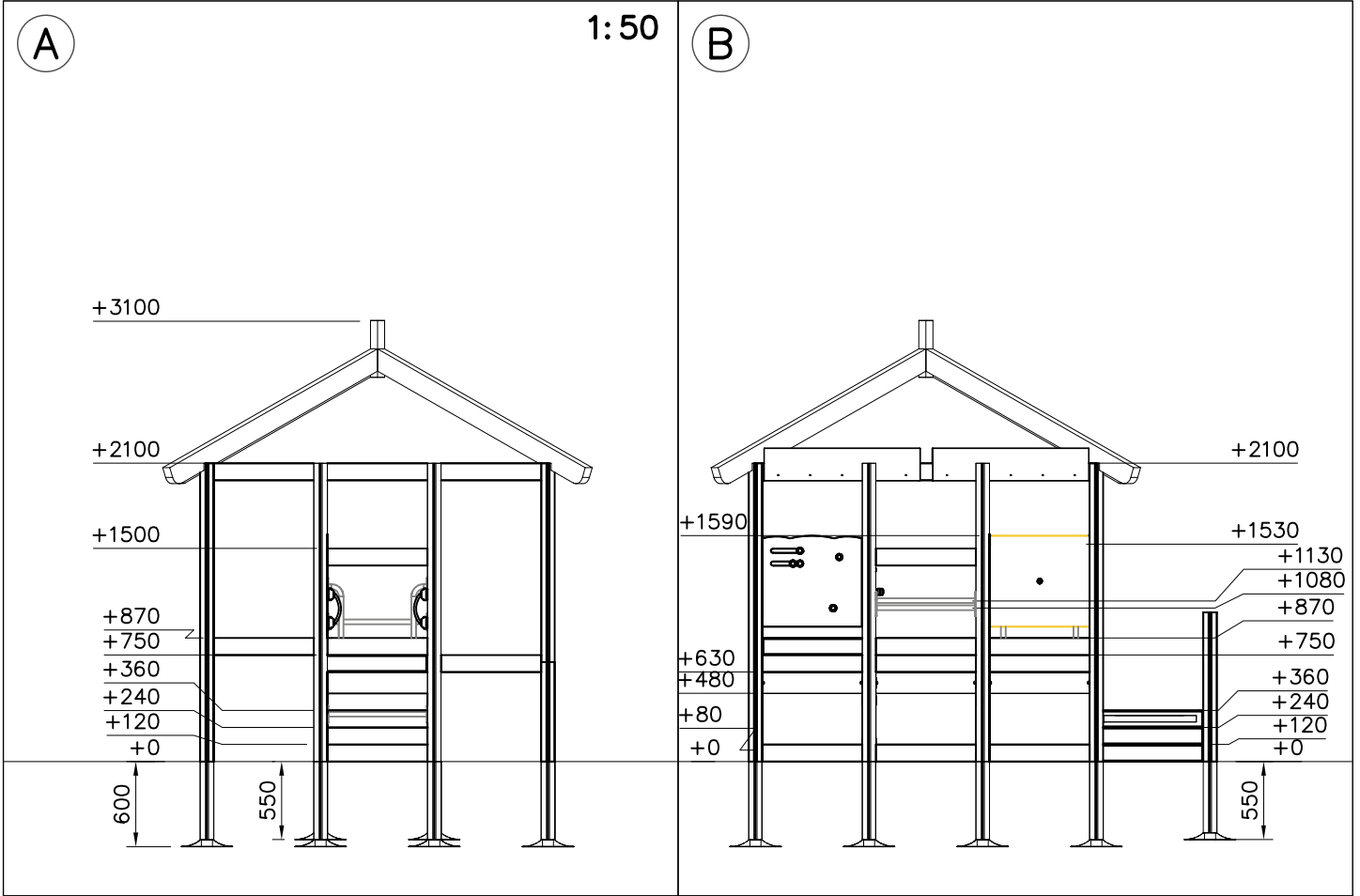
| | | | |
|--------------|---------------|---------------|---------------|
| <p>DET 1</p> | <p>DET 2</p> | <p>DET 3</p> | <p>DET 4</p> |
| <p>DET 5</p> | <p>DET 6</p> | <p>DET 7</p> | <p>DET 8</p> |
| <p>DET 9</p> | <p>DET 10</p> | <p>DET 11</p> | <p>DET 12</p> |
| | | | |
| | | | |

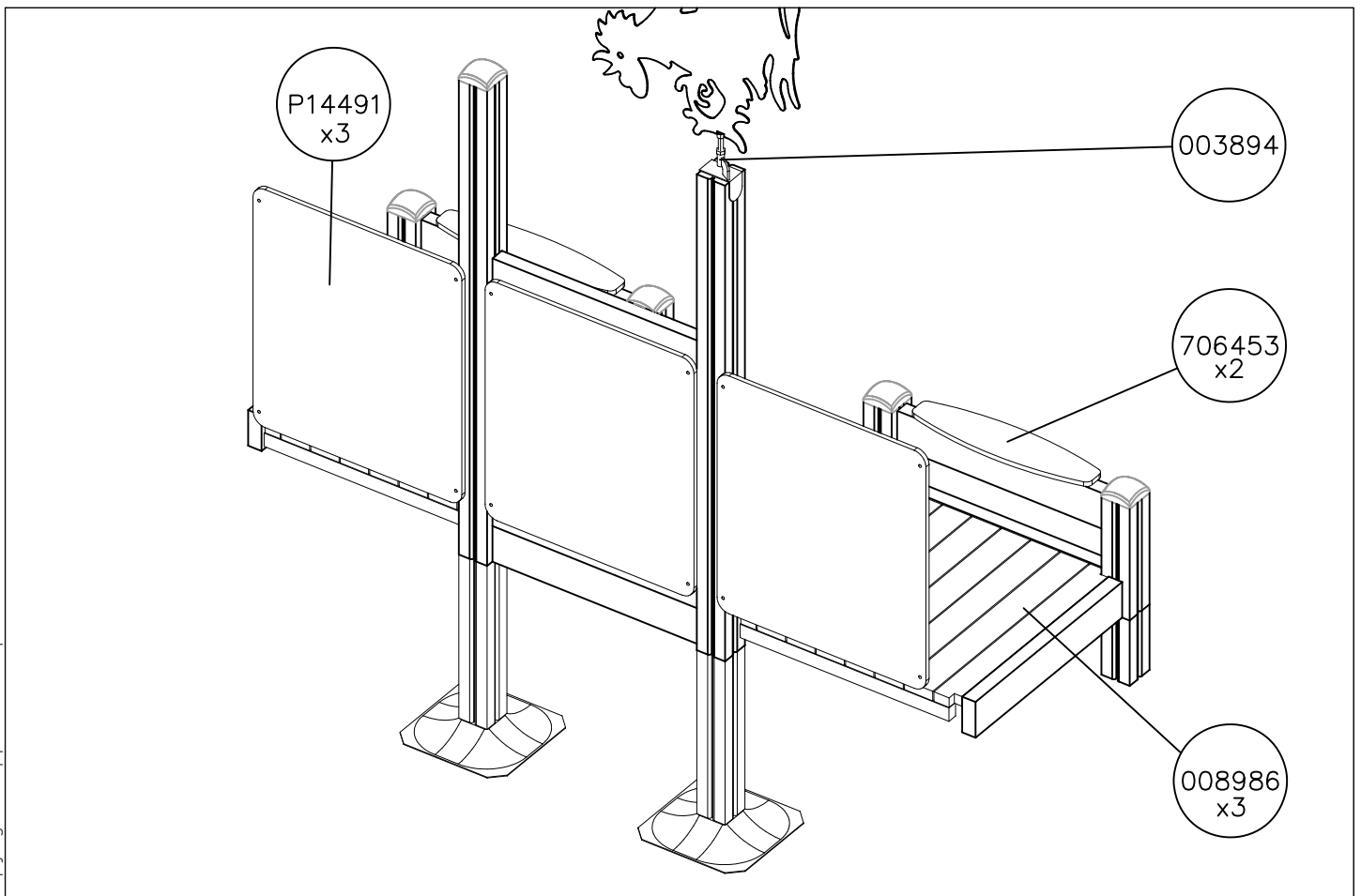
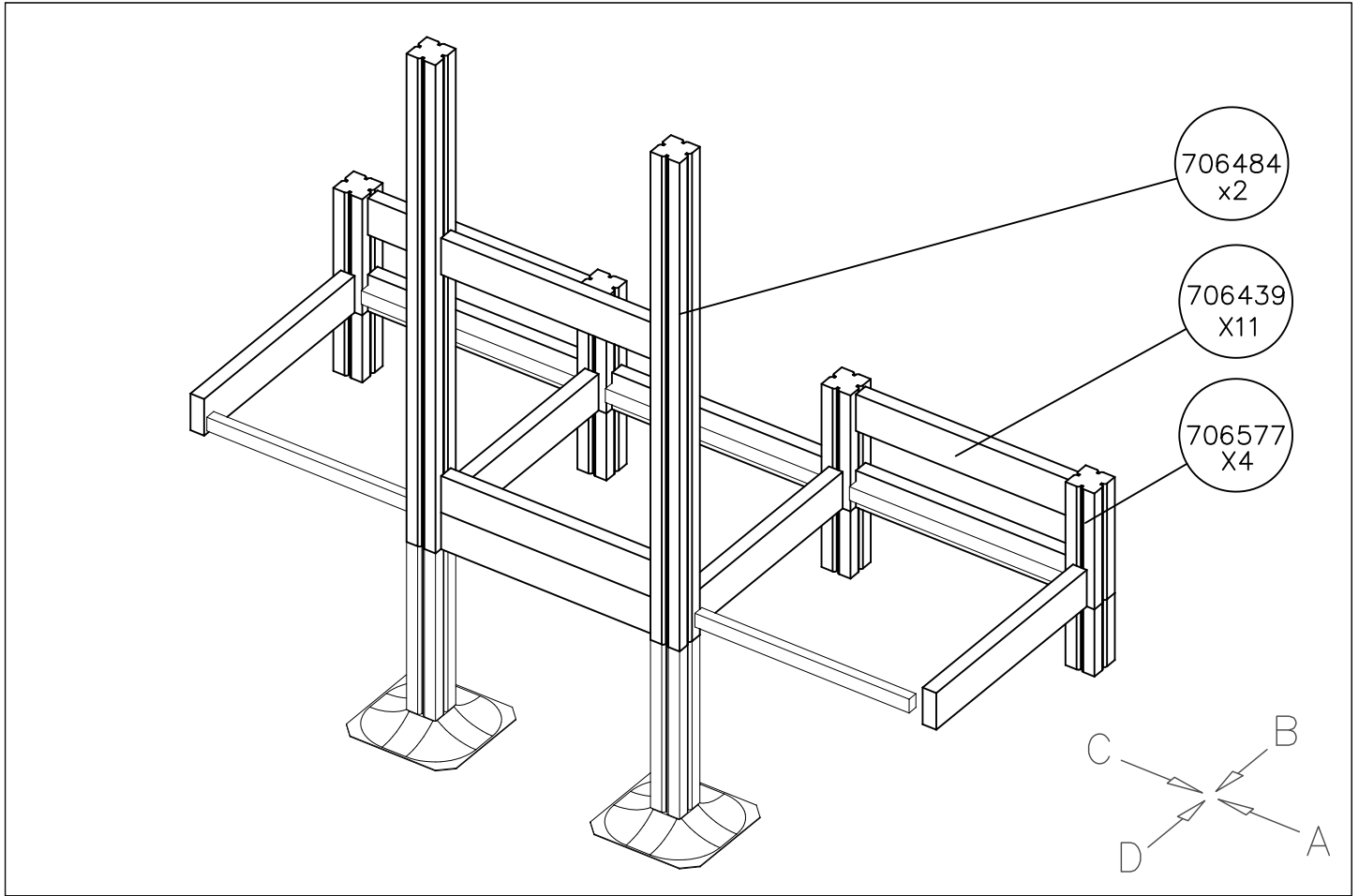
DATE: 17.2.2021



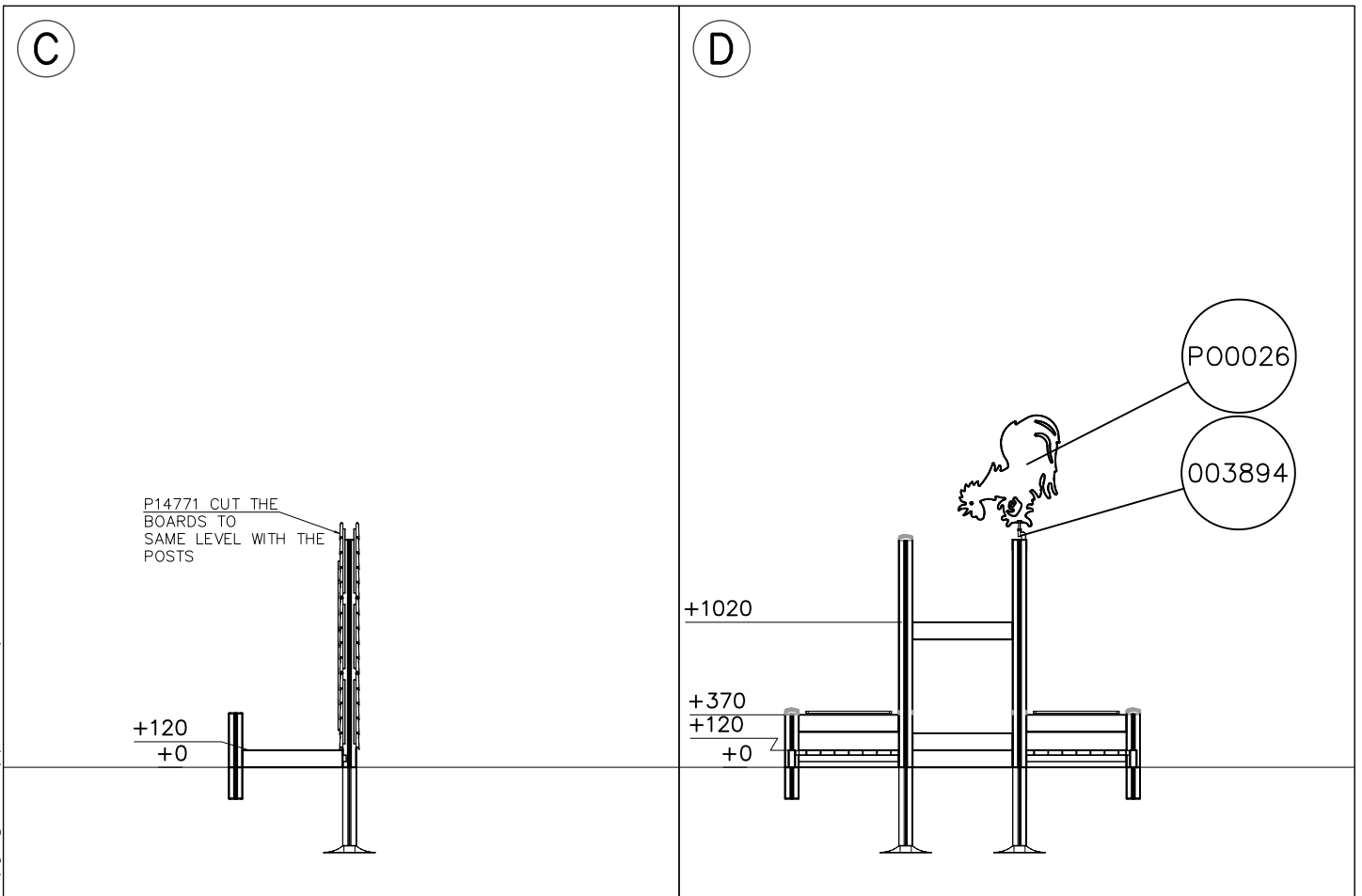
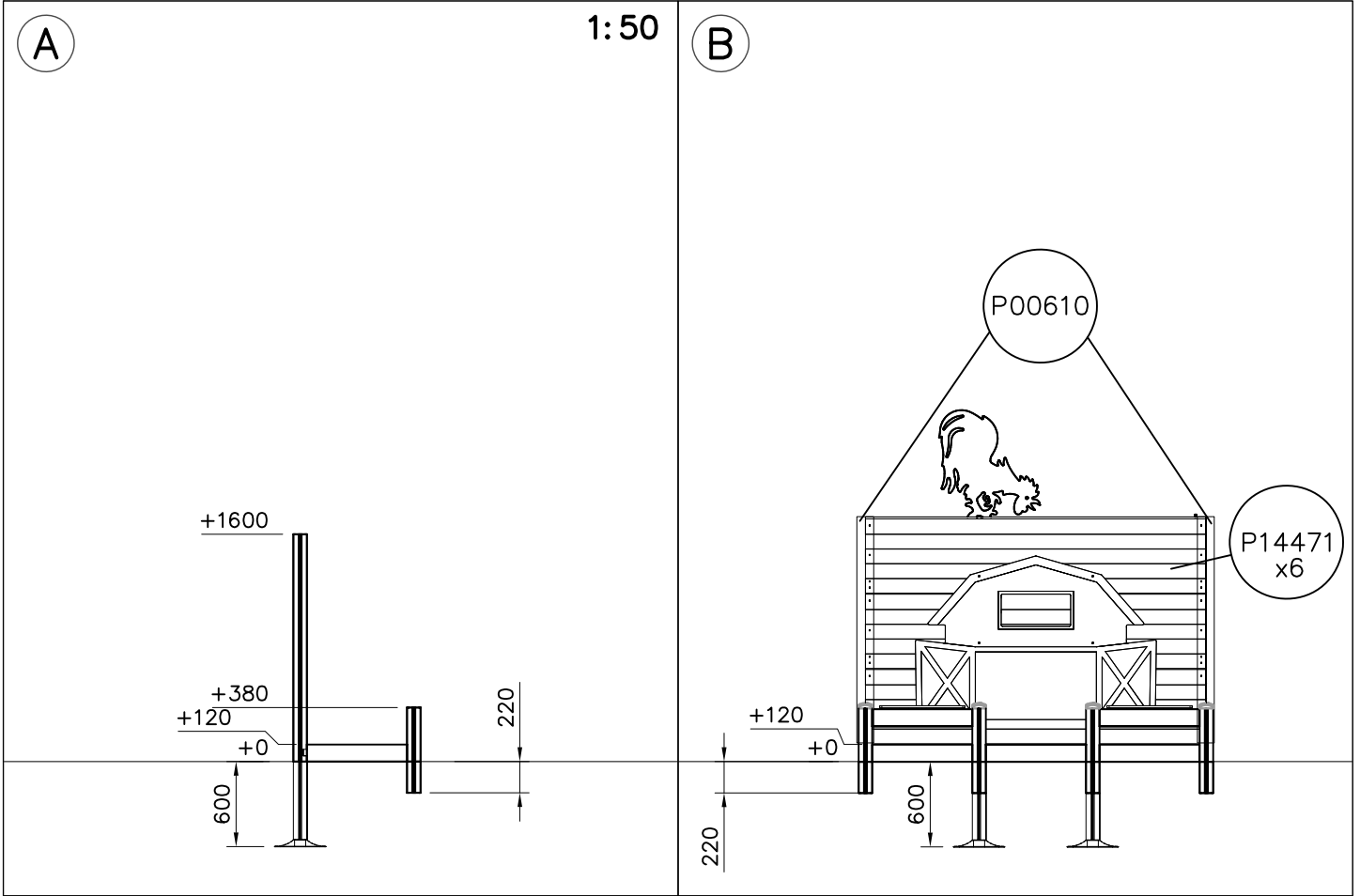
DATE: 17.2.2021

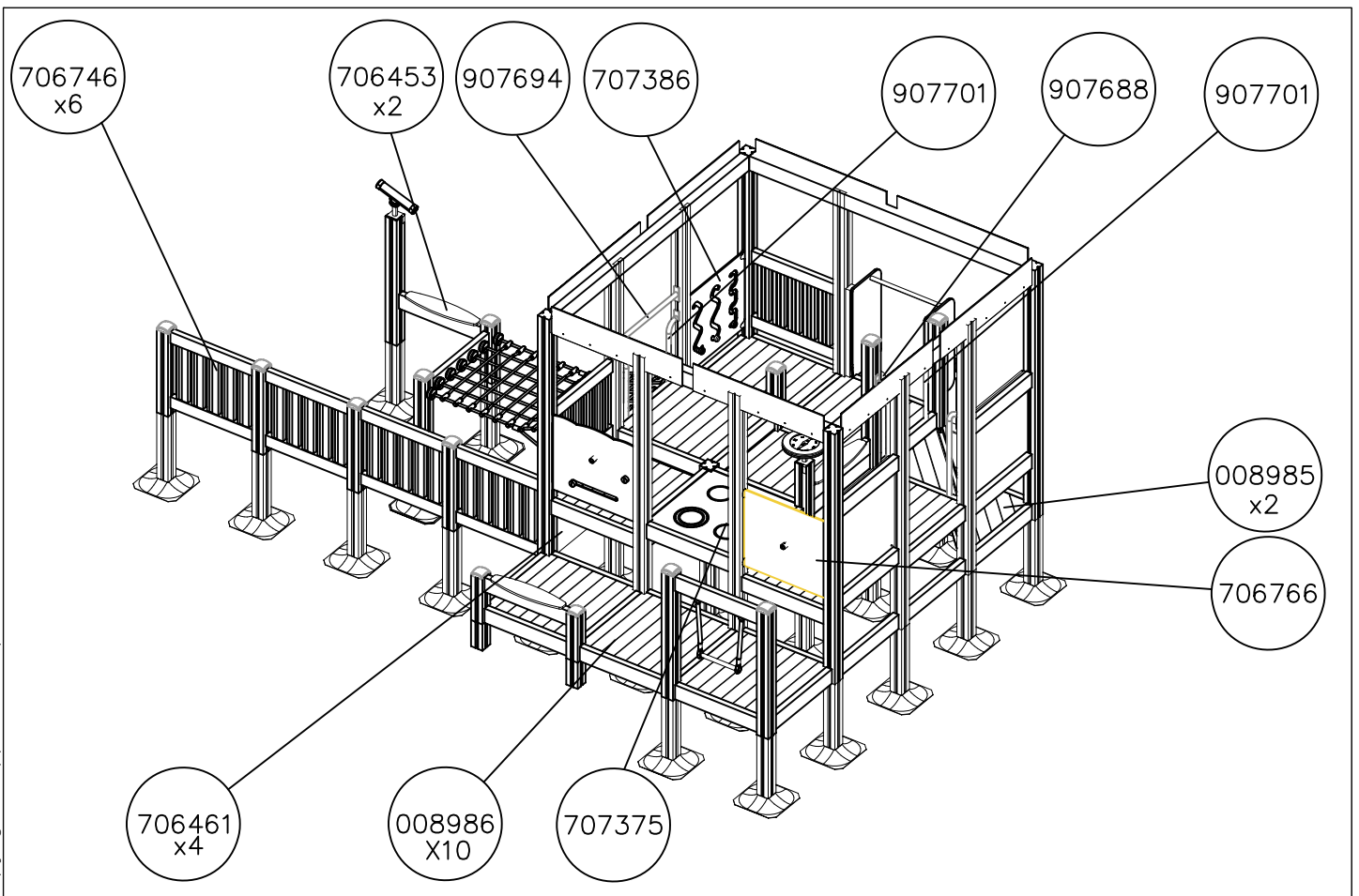
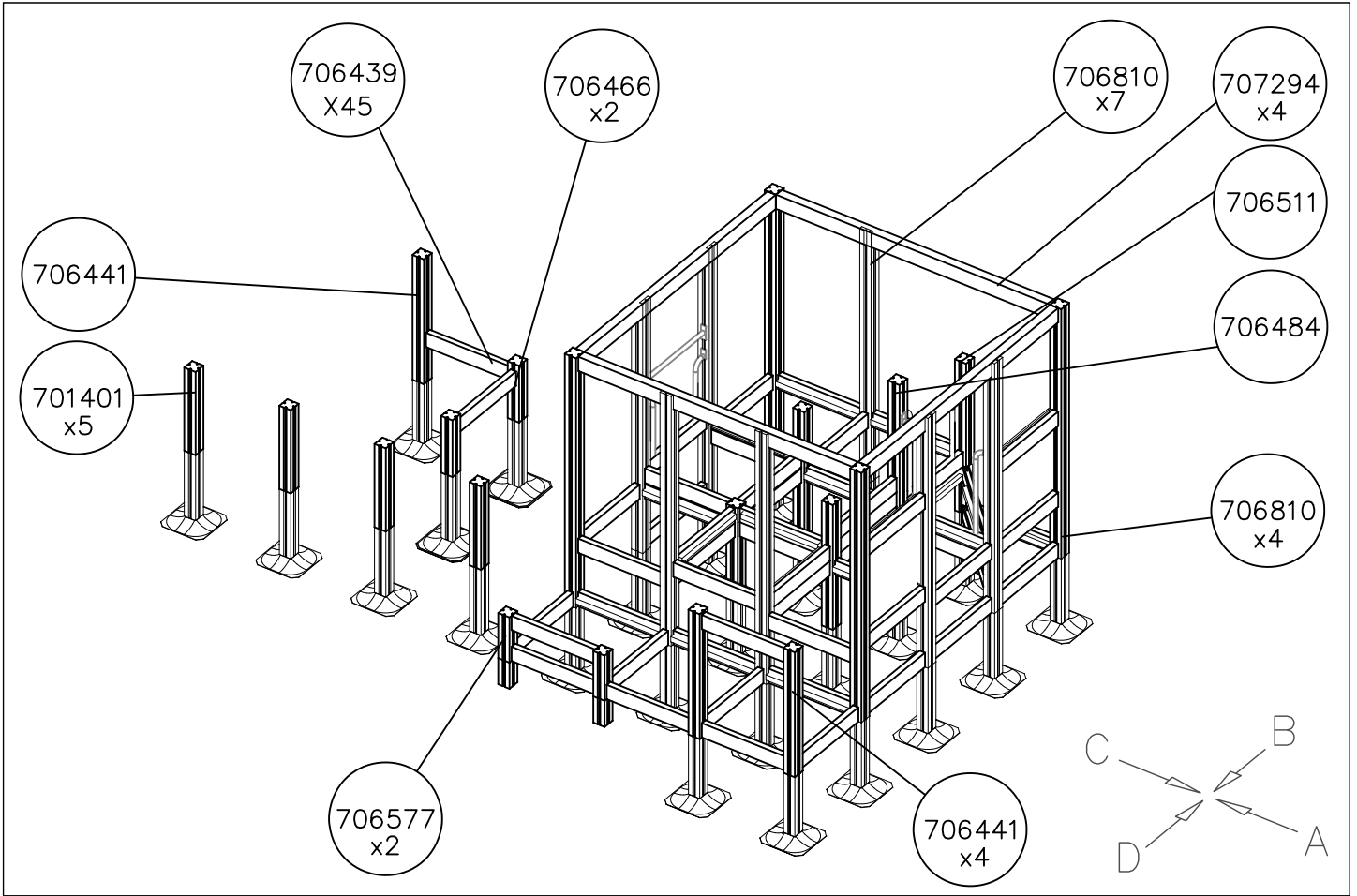
1:50

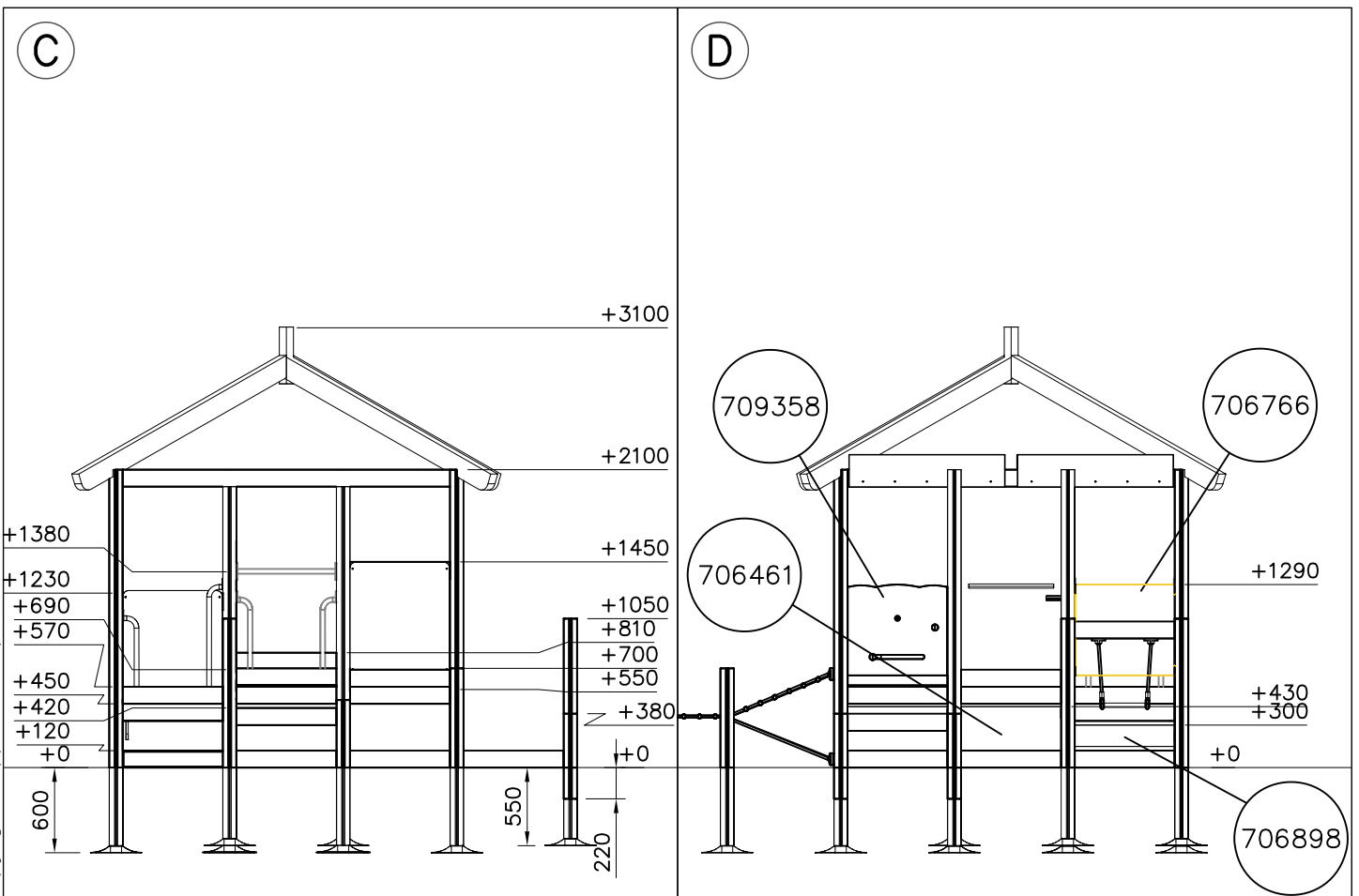
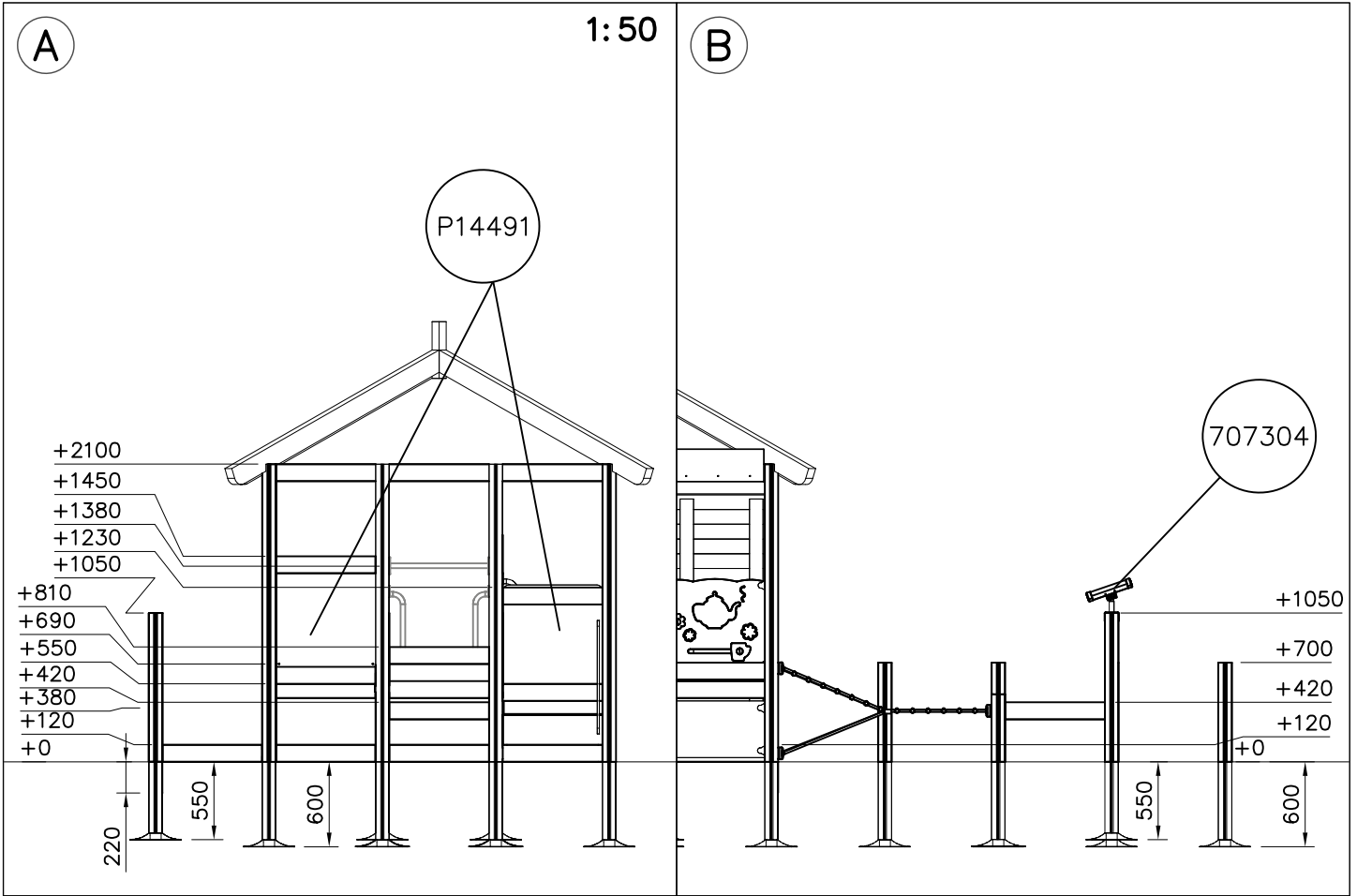


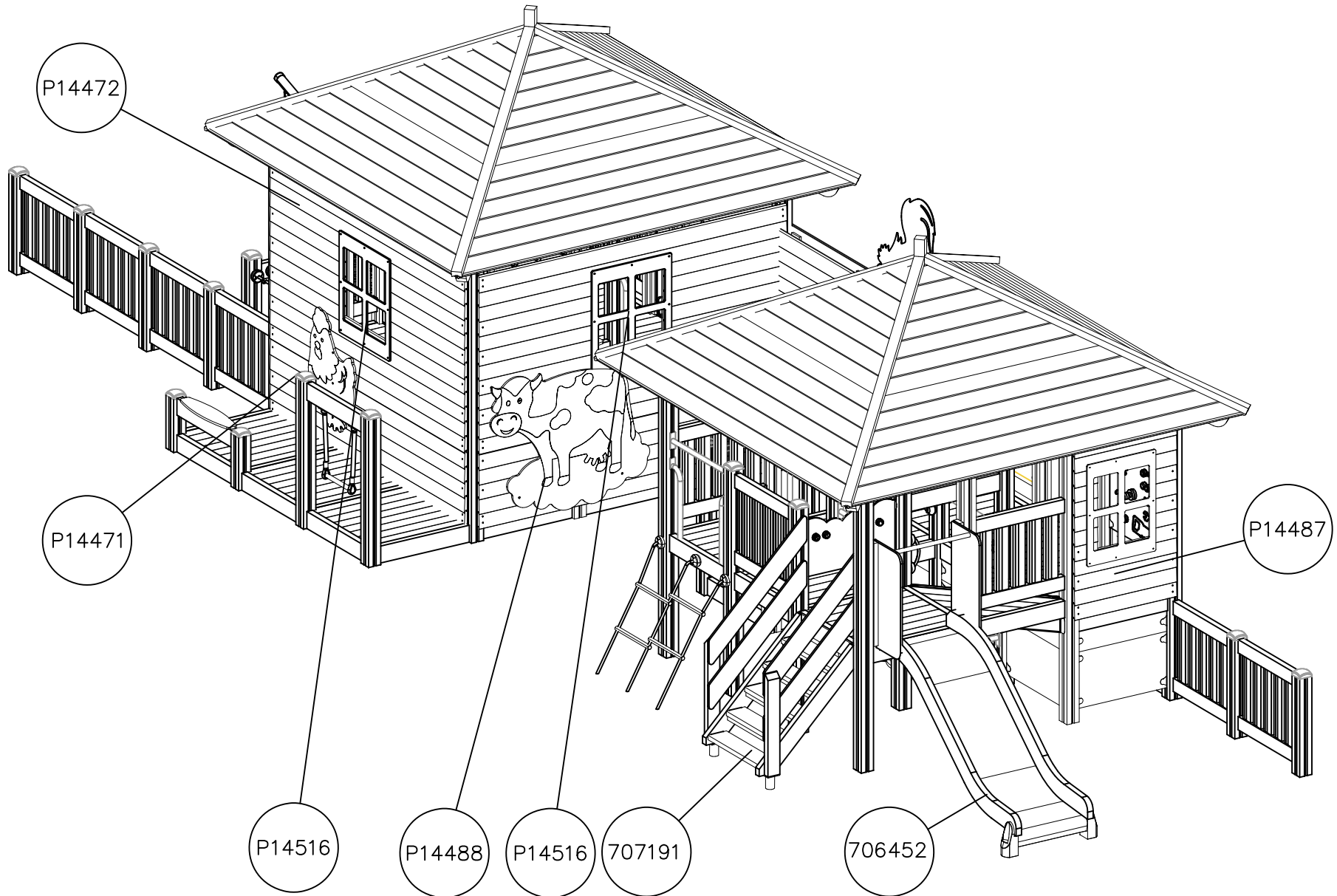


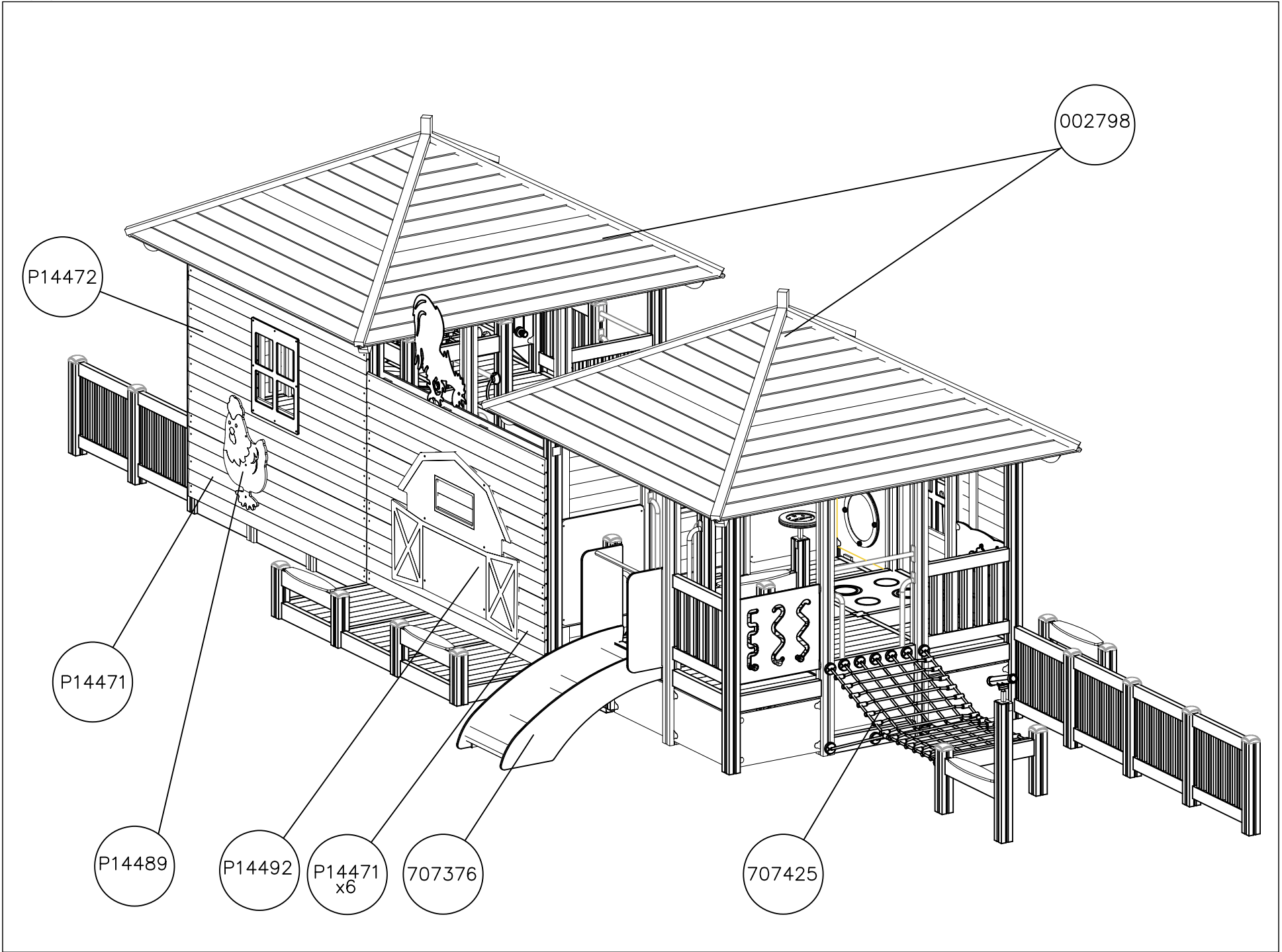
1:50

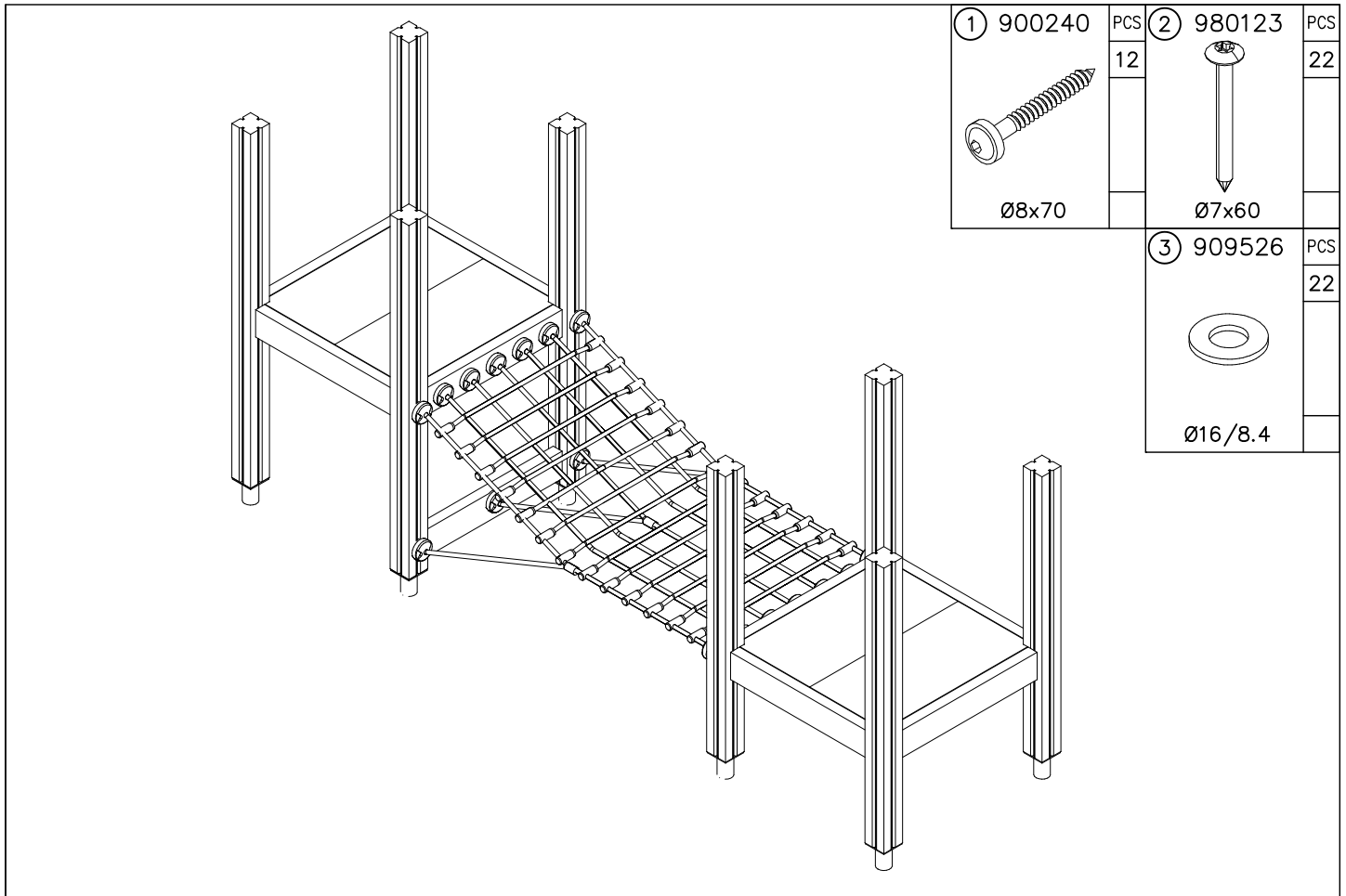


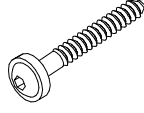

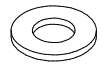






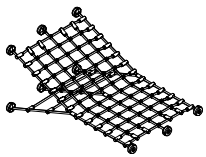




| | | | |
|---|-----|---|-----|
| ① 900240 | PCS | ② 980123 | PCS |
|  | 12 |  | 22 |
| Ø8x70 | | Ø7x60 | |
| | | ③ 909526 | PCS |
| | |  | 22 |
| | | Ø16/8.4 | |

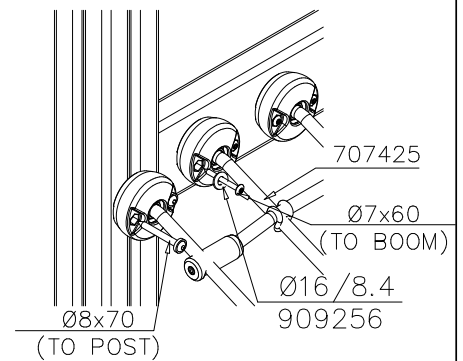
NET OPTIONS

707425

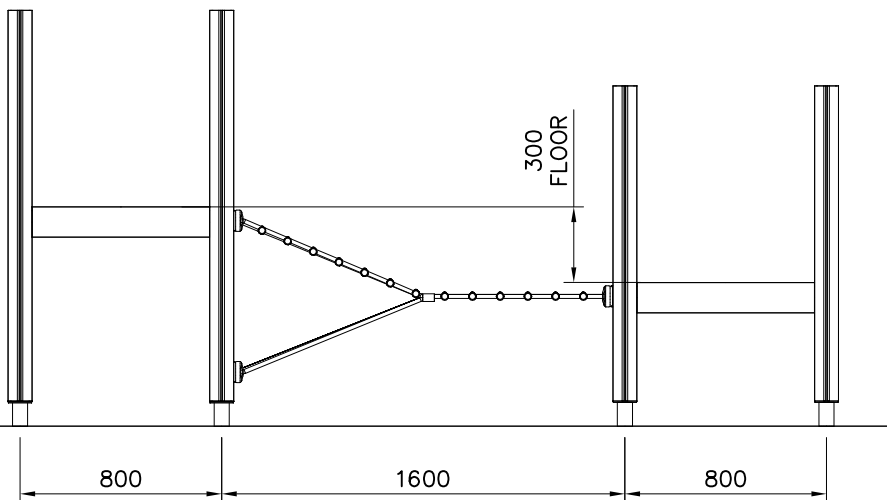
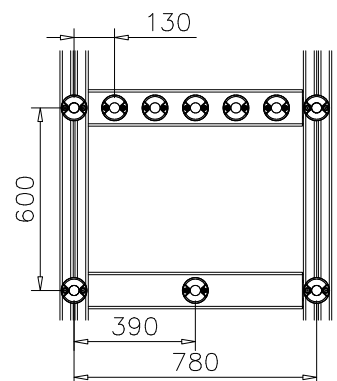


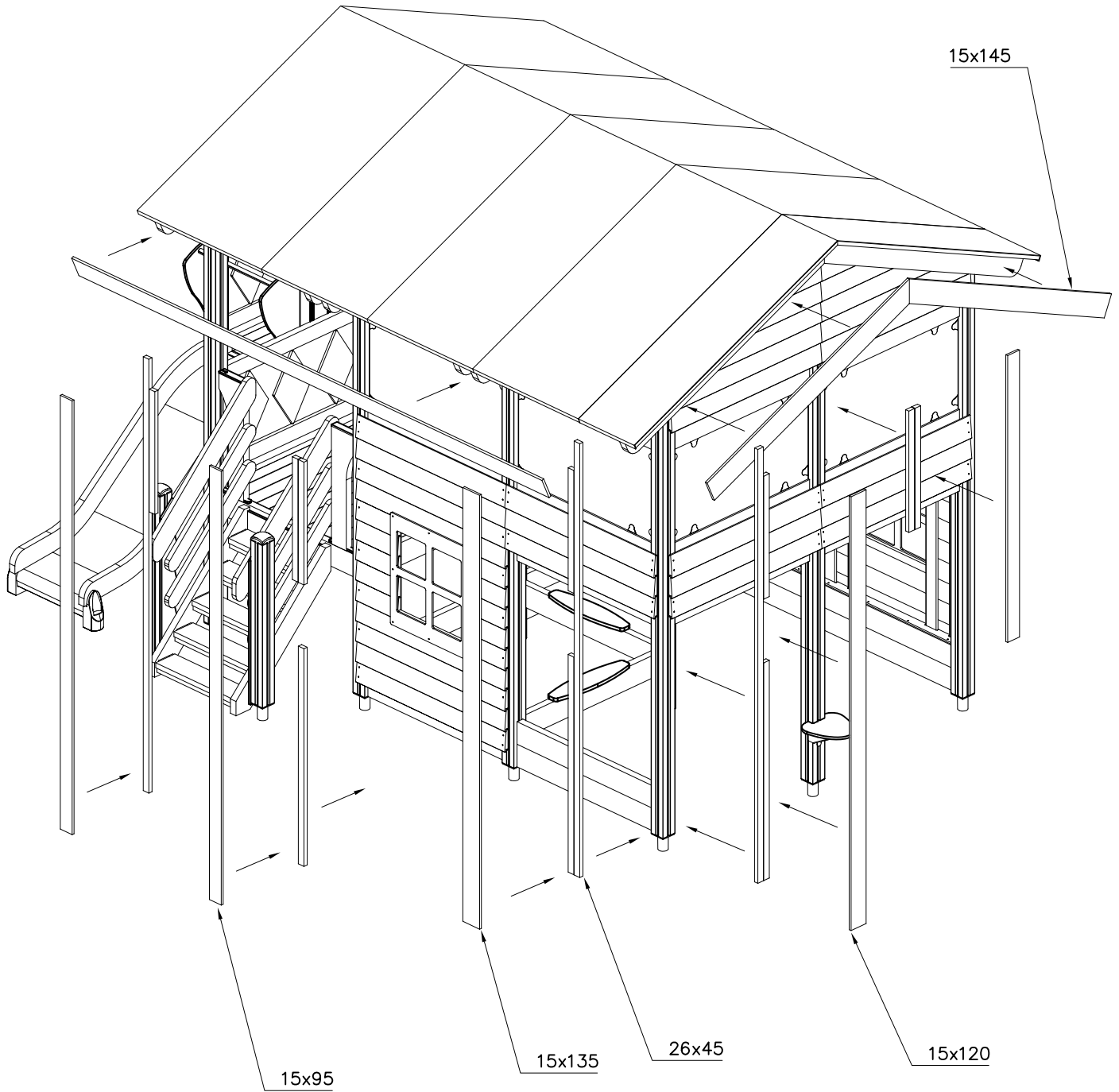
| | |
|------------|--------|
| 707425-301 | BLUE |
| 707425-302 | RED |
| 707425-303 | BEIGE |
| 707425-304 | GRAY |
| 707425-305 | BLACK |
| 707425-306 | YELLOW |

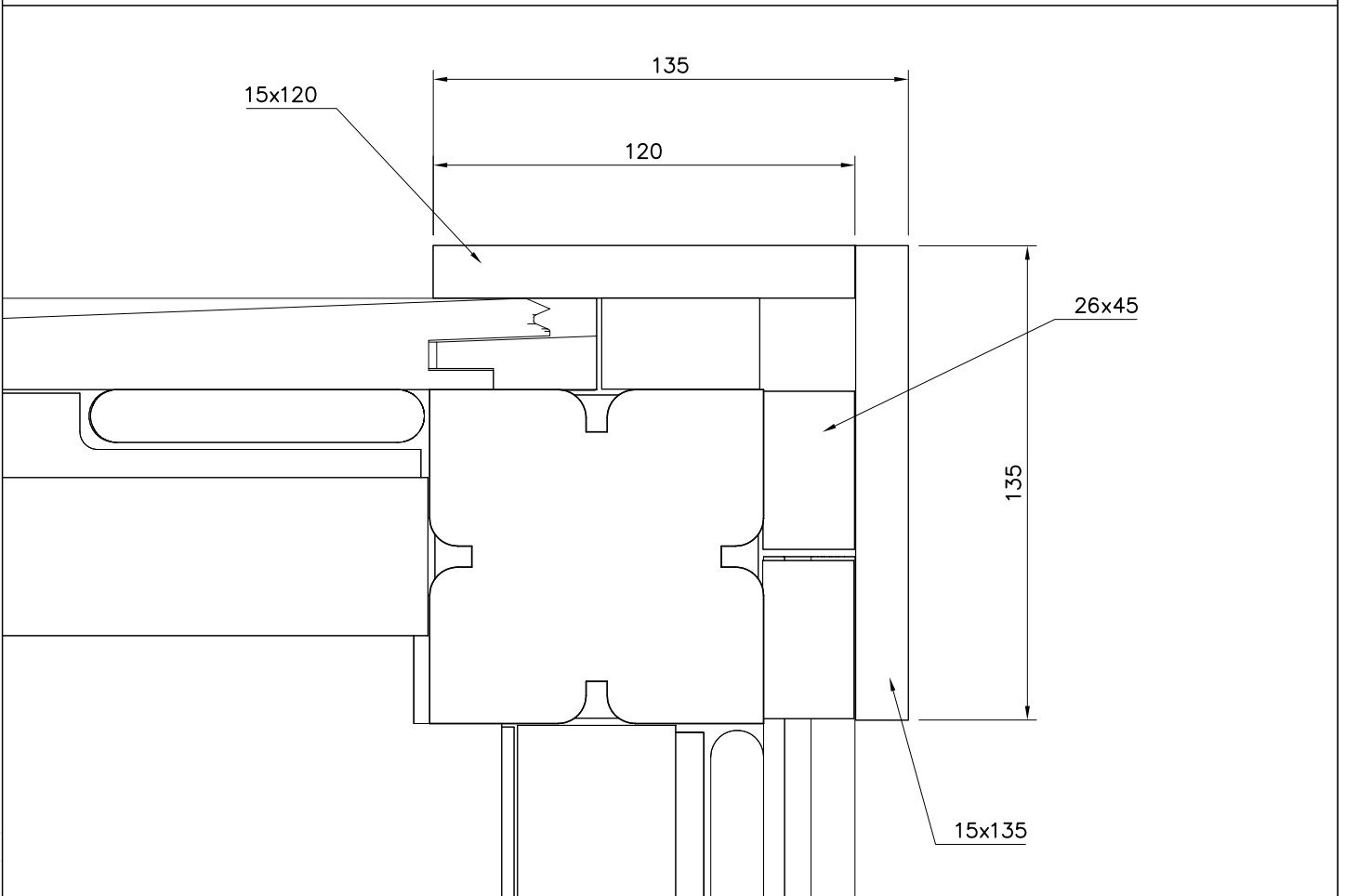
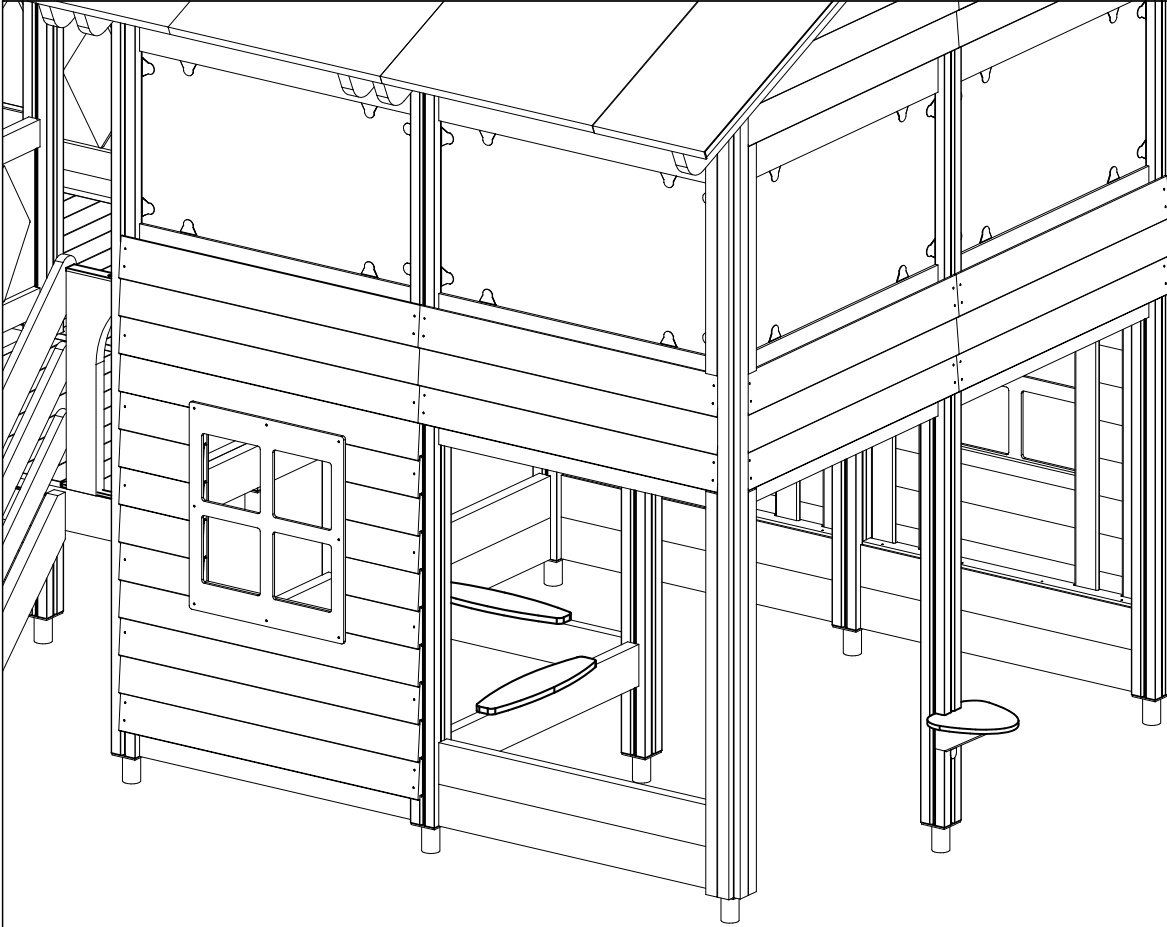
DET 1

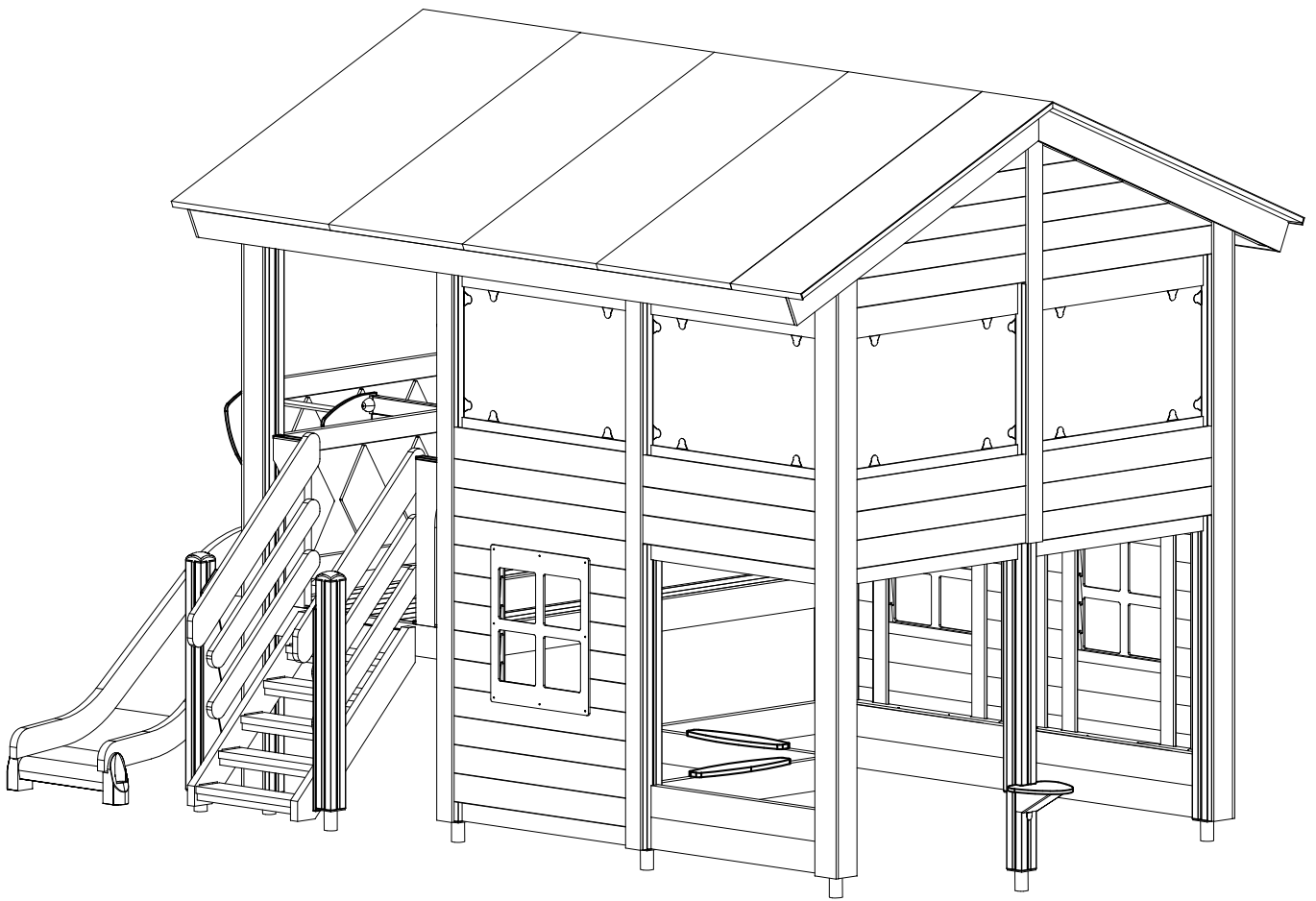


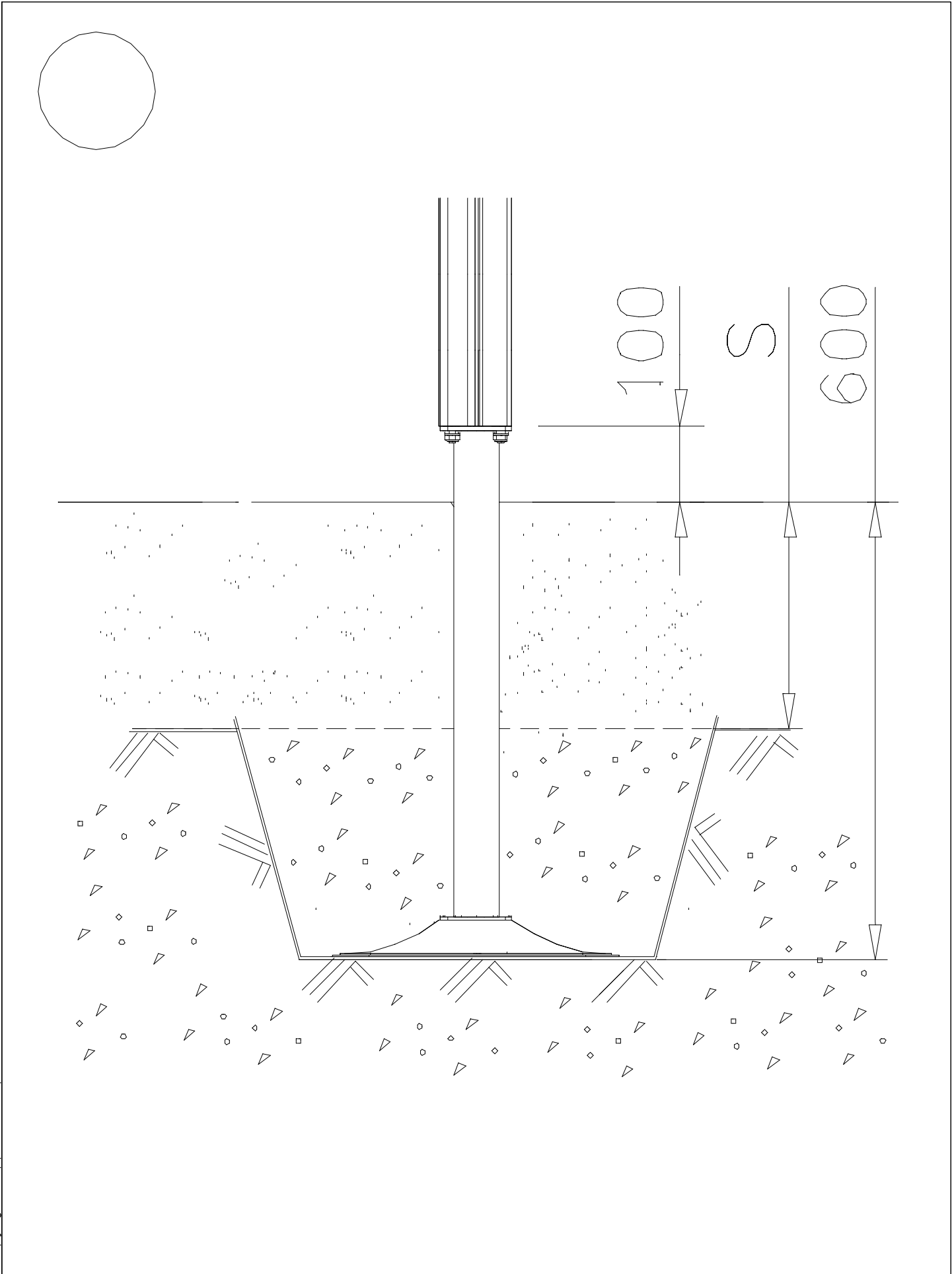
DET 2











LAPPSET®
BETON FOUNDATION

FOOT

DATE: 27.10.2015

1(1)

| | | | |
|--|-----|--|-----|
| ② 905104 | PCS | | PCS |
| | 4 | | |
|  M10 | PCS | | PCS |
| | | | |



905104

LAPPSET® DEEP FOUNDATION

FOOT

DATE: 15.5.2018

1(1)



| | | | | | |
|-------------|-----------|-----|------------|--------|-----|
| ① | 909511 | PCS | ② | 909519 | PCS |
| | | 1 | | 1 | |
| | 90x90x650 | | 50x380x380 | | |
| ③ | 909637 | PCS | ④ | 909638 | PCS |
| | | 4 | | 8 | |
| | M10 | | Ø20/10.5 | | |
| ⑤ | 909639 | PCS | ⑥ | 905104 | PCS |
| | | 4 | | 4 | |
| | M10x25 | | M10 | | |
| OPTION FOOT | | | | | |
| ① | 911155 | PCS | | | PCS |
| | | 1 | | | |
| | 90x90x650 | | | | |

LAPPSET

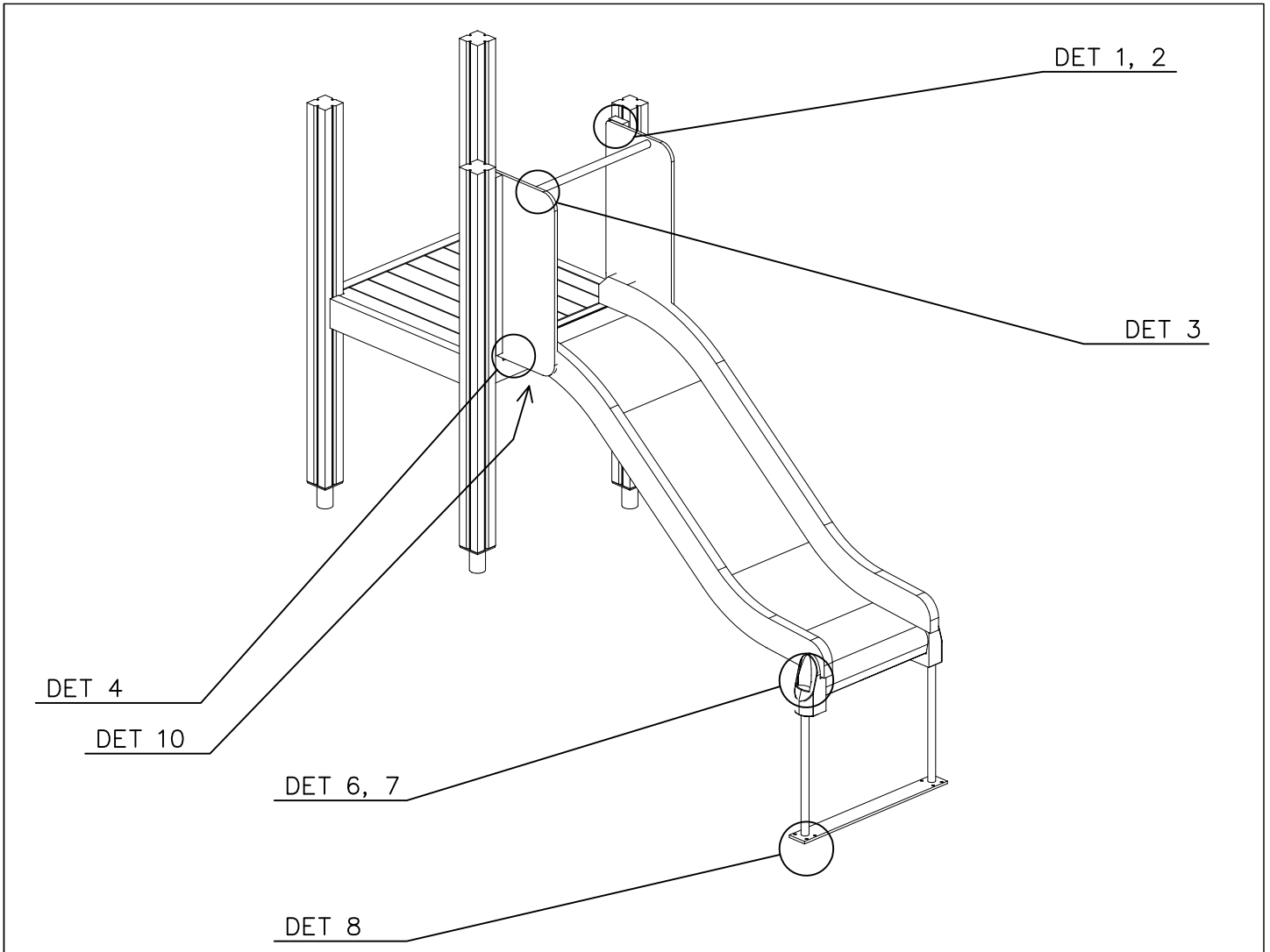
DEEP FOUNDATION

SLIDE WOOD

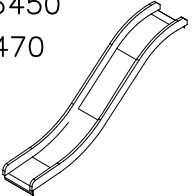
DATE: 22.5.2015

1(1)

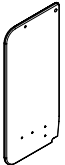




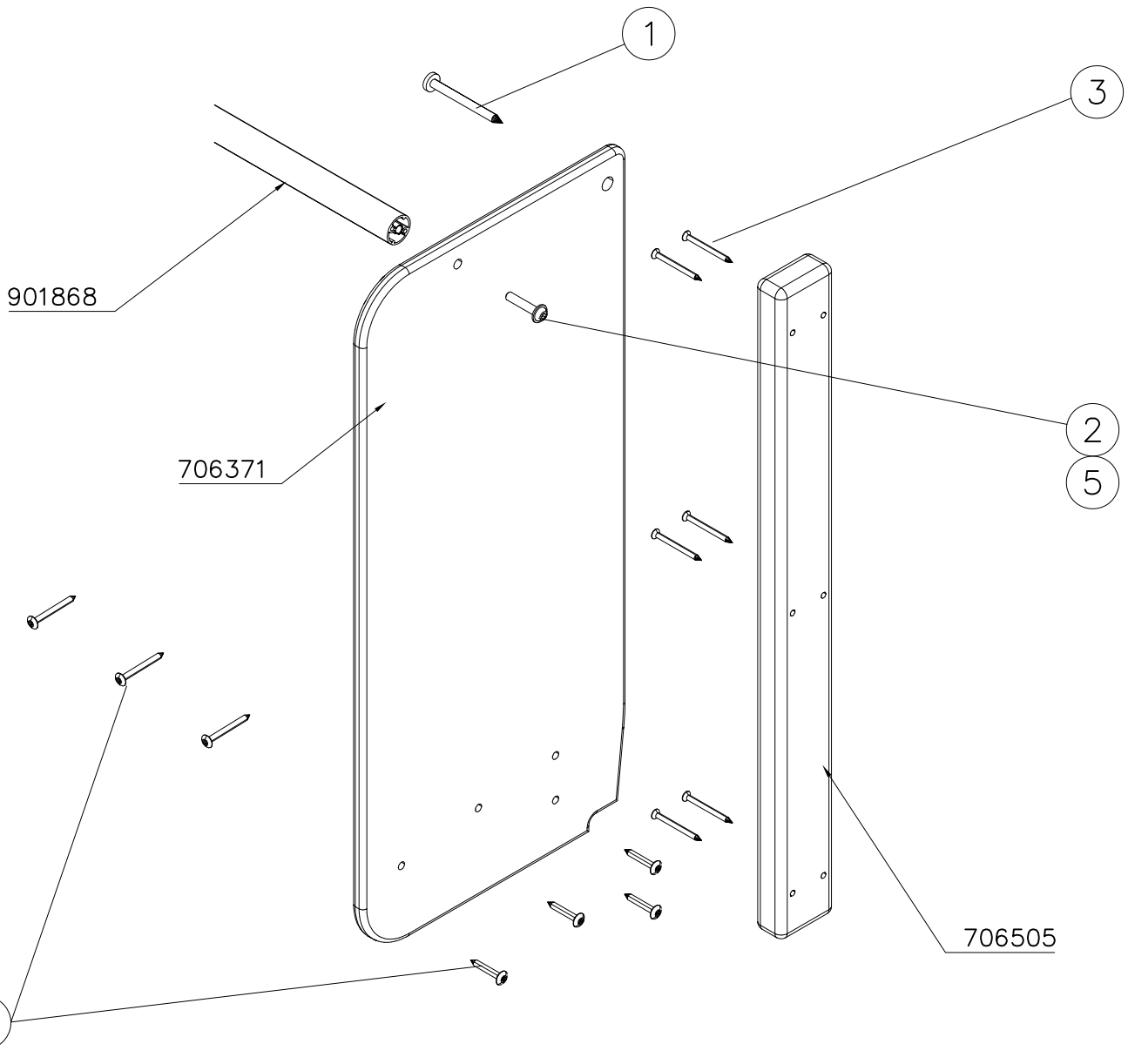
SLIDE OPTIONS

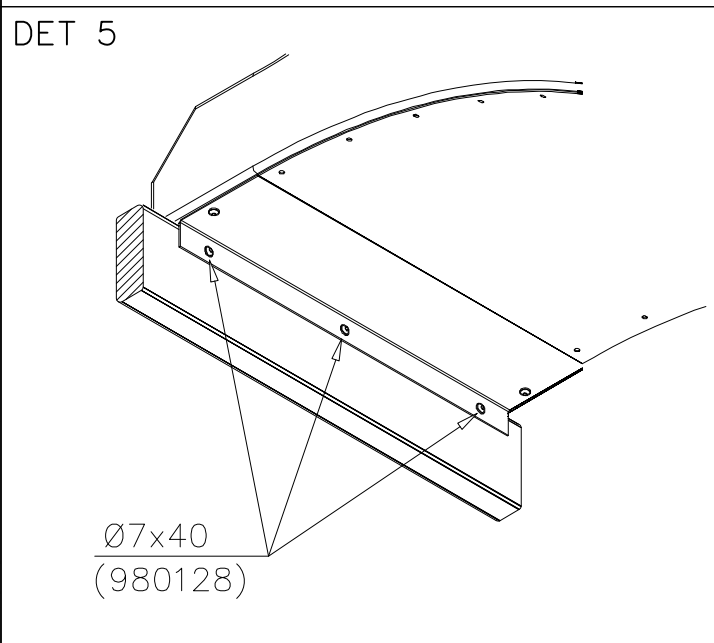
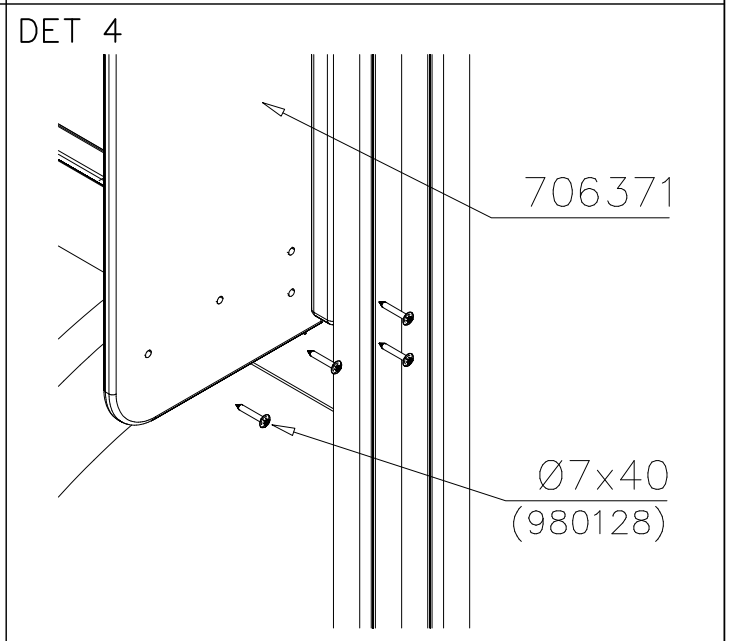
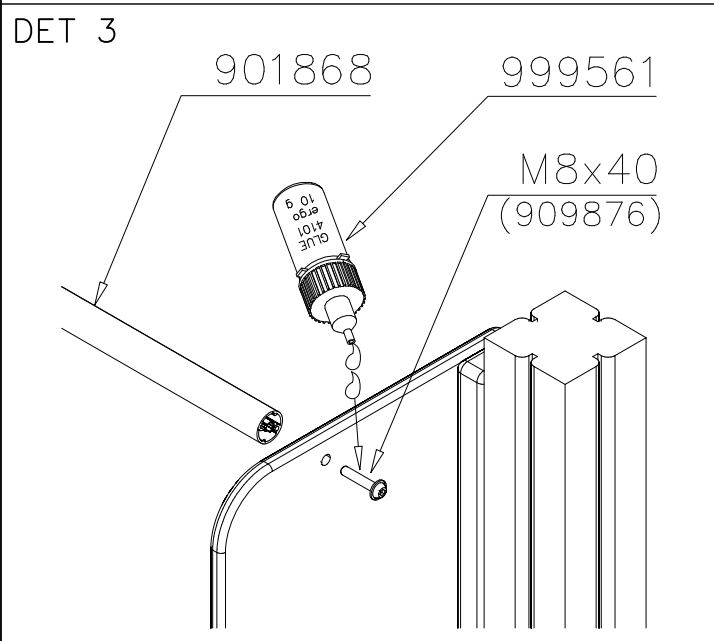
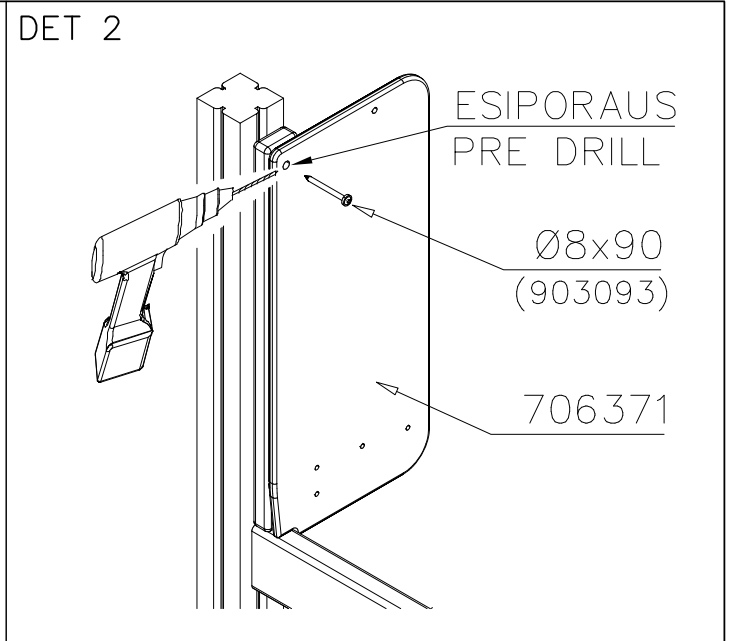
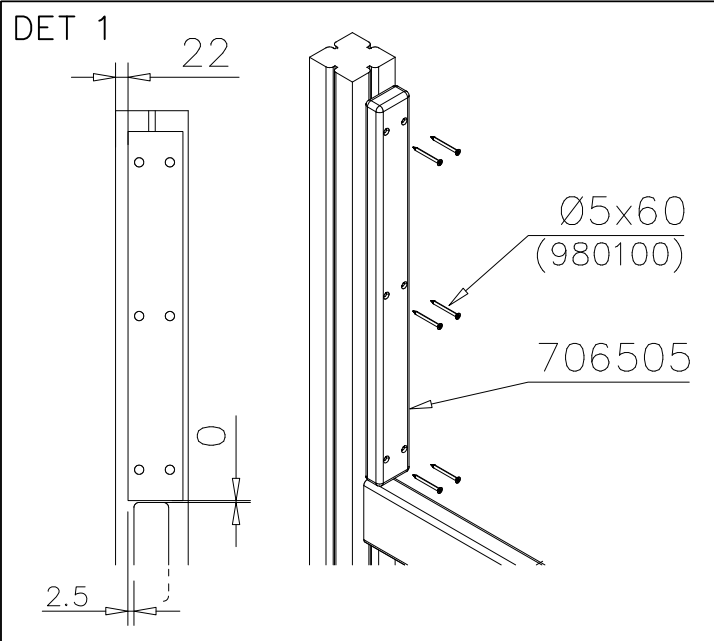
| | | |
|---|---|--|
| <p>706450 +1470</p>  | <p>706450-602 DARK BROWN 706450-603 LIGHT BROWN 706450-604 LIGHT GRAY</p> | |
| <p>706452 +870</p>  | <p>706452-602 DARK BROWN 706452-603 LIGHT BROWN 706452-604 LIGHT GRAY</p> | |

WALL OPTIONS

| | | |
|---|--|---|
| <p>706371</p>  | <p>706371-701 BLUE 706371-702 YELLOW 706371-703 LIME 706371-704 DRARK GRAY 706371-705 LIGHT GRAY 706371-706 RED</p> | <p>706371-707 GREEN 706371-708 FUXIA</p> |
|---|--|---|

| | | | | | | | | | | | |
|--|-----|---|-----|---|-----|---|-----|--|-----|---|-----|
| ○ SLIDE | PCS | ○ SLIDE | PCS | ○ 706371 | PCS | ○ 706505 | PCS | ○ 901868 | PCS | ① 903093 | PCS |
|  | 1 |  | 1 |  | 2 |  | 2 |  | 1 |  | 2 |
| +1470 | | +870 | | 15x345x750 | | 35x70x730 | | Ø34x598 | | Ø8x90 | |
| ② 909876 | PCS | ③ 980100 | PCS | ④ 980128 | PCS | ⑤ 999561 | PCS | | | | |
|  | 2 |  | 12 |  | 11 |  | 1 | | | | |
| M8x40 | | Ø5x60 | | Ø7x40 | | 10g | | | | | |





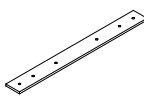
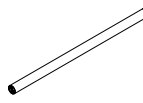

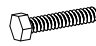
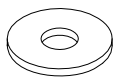
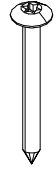
LAPPSET

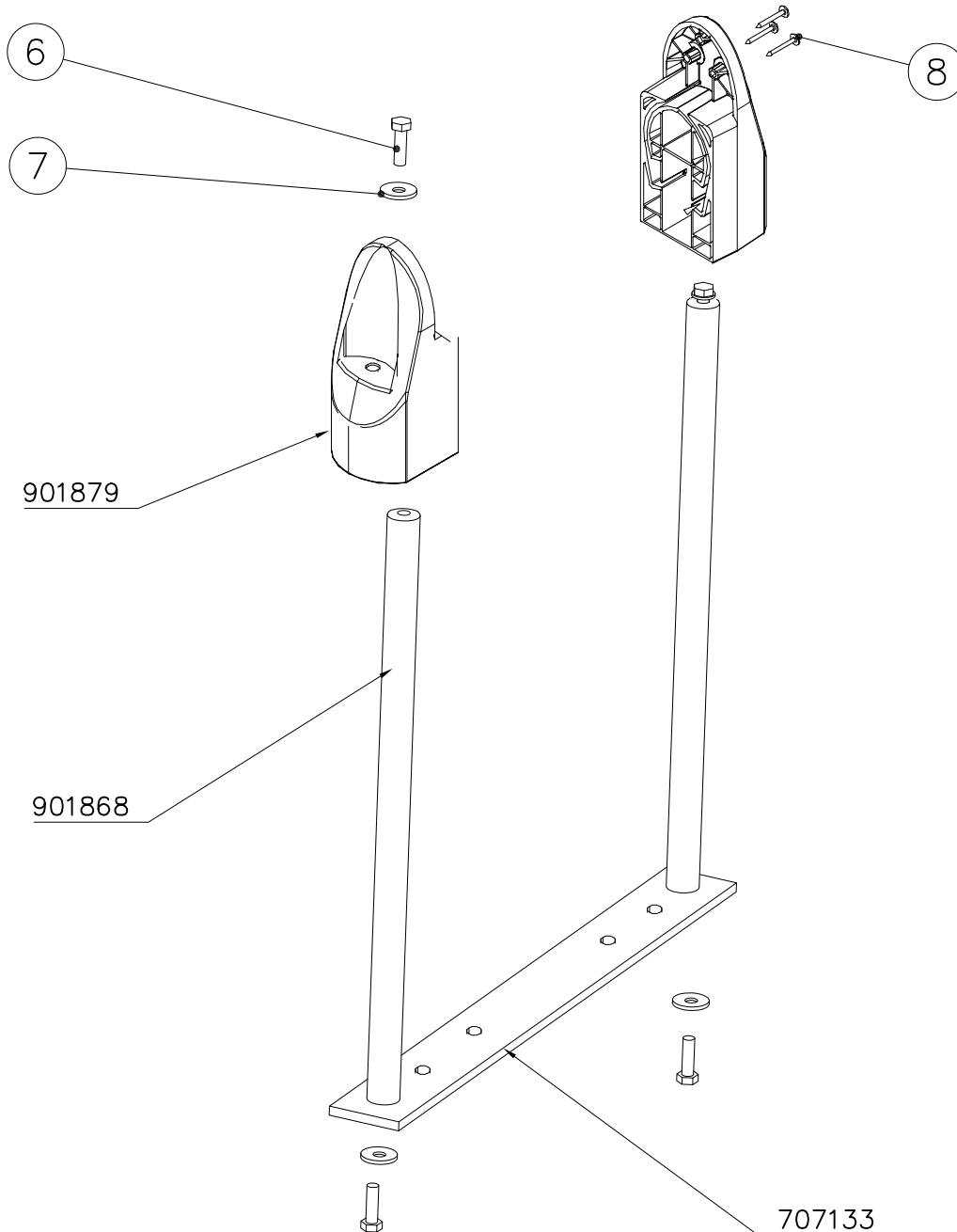
DEEP FOUNDATION

SLIDE WOOD

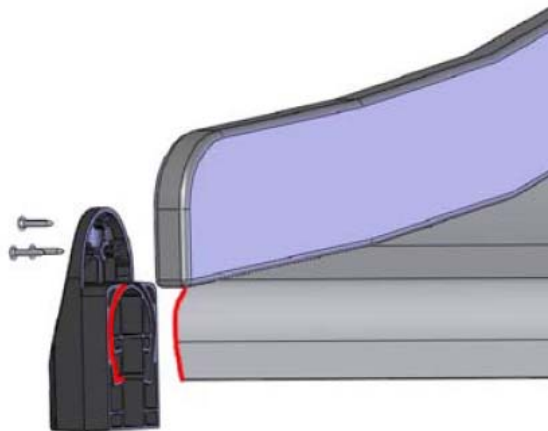
DATE: 3.11.2017

4(5)

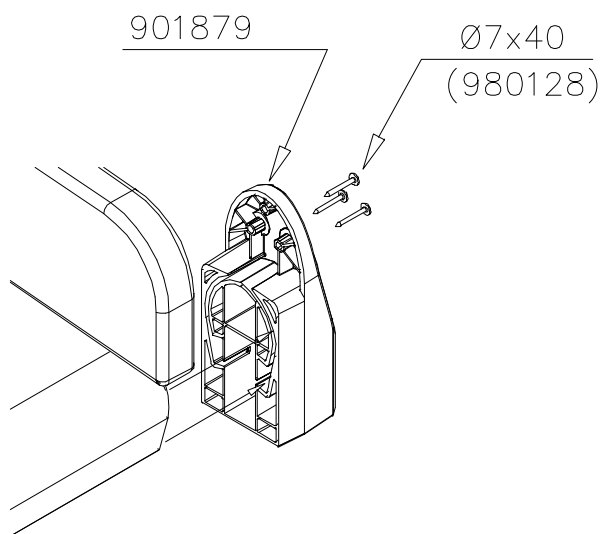
| | | | | | | | | | | | |
|--|-----|---|-----|---|-----|---|-----|--|-----|---|-----|
| ○ 707133 | PCS | ○ 901868 | PCS | ○ 901879 | PCS | ⑥ 909210 | PCS | ⑦ 905051 | PCS | ⑧ 980128 | PCS |
|  | 1 |  | 2 |  | 2 |  | 4 |  | 4 |  | 6 |
| 10x80x745 | | Ø30x598 | | | | M8x40 | | Ø24/8.4 | | Ø7x40 | |



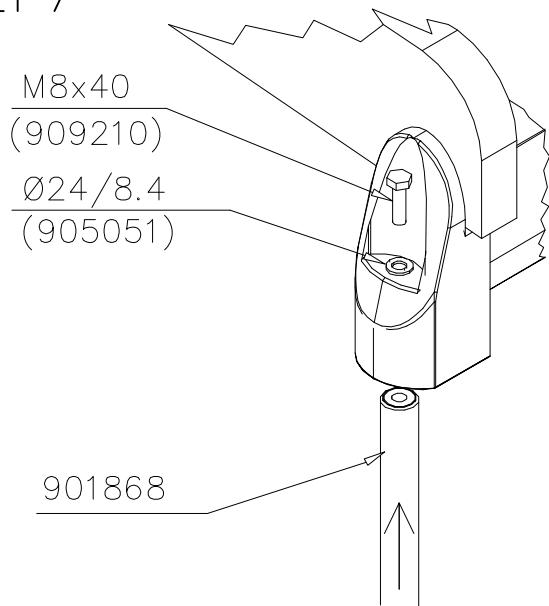
DET 6



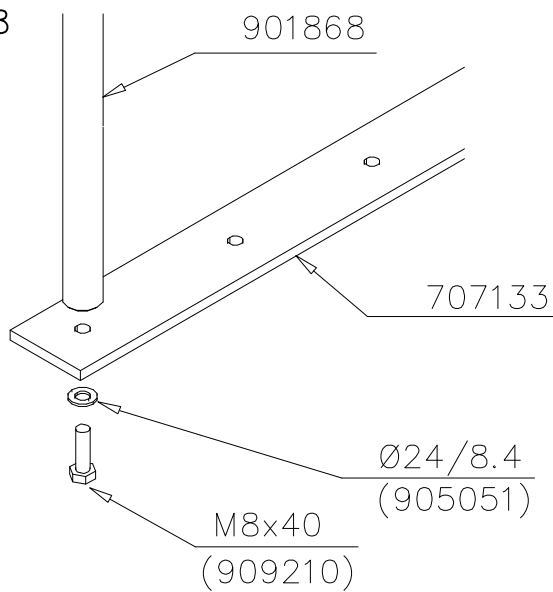
Insert sheet metal IN to the plastic cover.



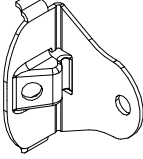
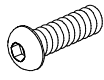
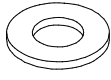
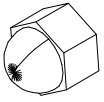

DET 7



DET 8





| | | | |
|---|-----|---|-----|
| ① 903176 | PCS | ② 909850 | PCS |
|  | 4 |  | 4 |
| | | M8x25 | |
| ③ 909256 | PCS | ④ 909633 | PCS |
|  | 8 |  | 4 |
| Ø16/8.4x1.6 | | M8 | |
| ⑤ 980123 | PCS | | PCS |
|  | 4 | | |
| Ø7x60 | | | |
| | PCS | | PCS |







| | | | |
|---|-----|---|-----|
| ① 008986 | PCS | ② 706443 | PCS |
|  | 1 |  | 2 |
| 750x750 | | 32x45x702 | |
| ③ 900240 | PCS | ④ 980101 | PCS |
|  | 6 |  | 8 |
| Ø8x70 | | Ø4.5x70 | |
| | PCS | | PCS |
| | | | |
| | PCS | | PCS |
| | | | |
| | PCS | | PCS |
| | | | |

DET 1

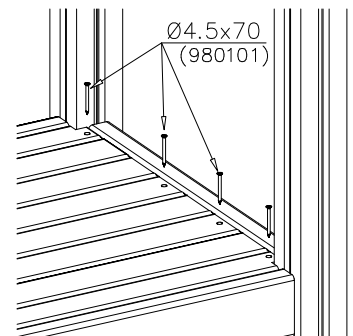


DET 2

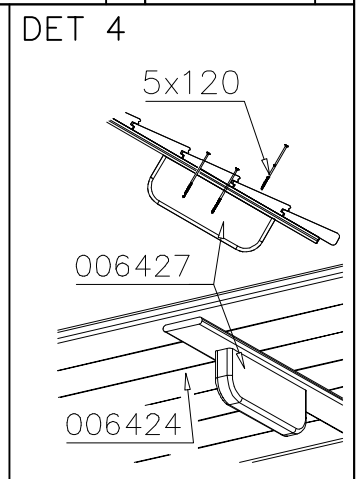
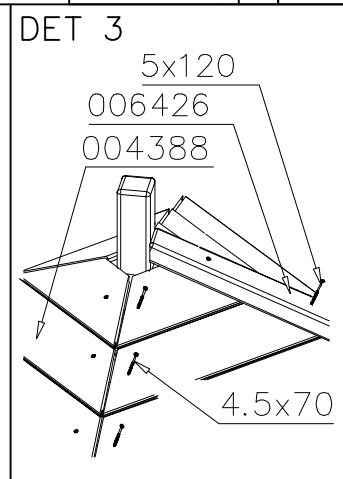
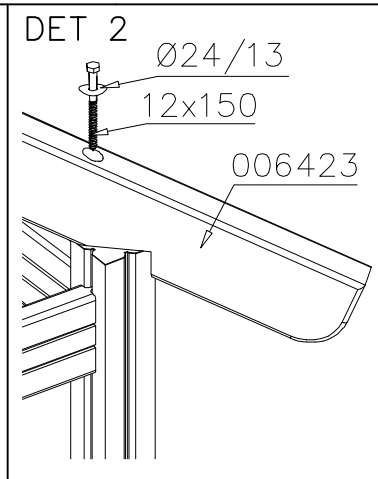
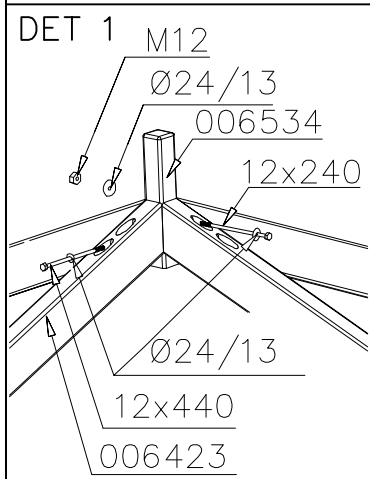
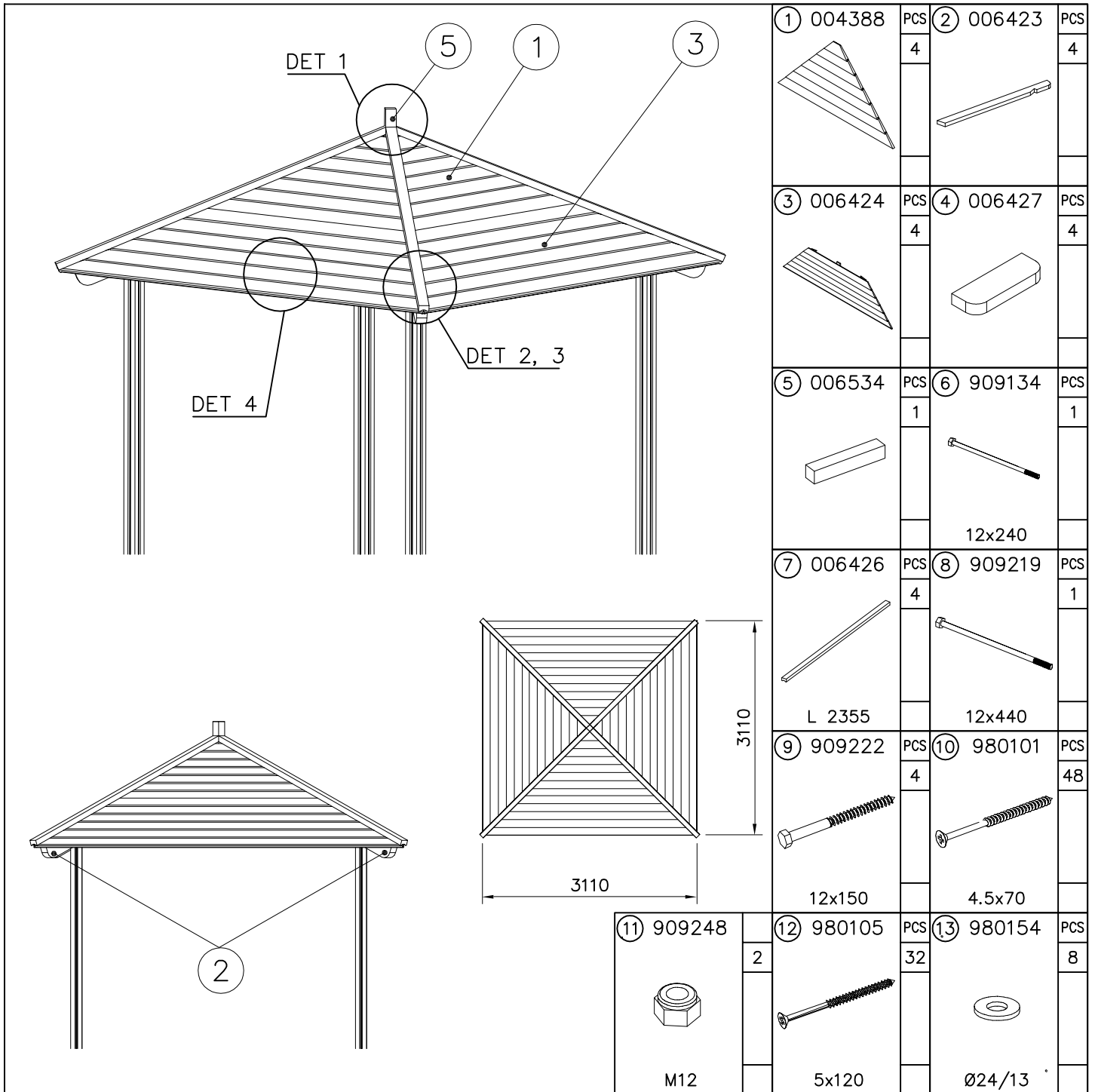
Naulanauha kannatinlistan puolelle.
Nail list to the bottom.

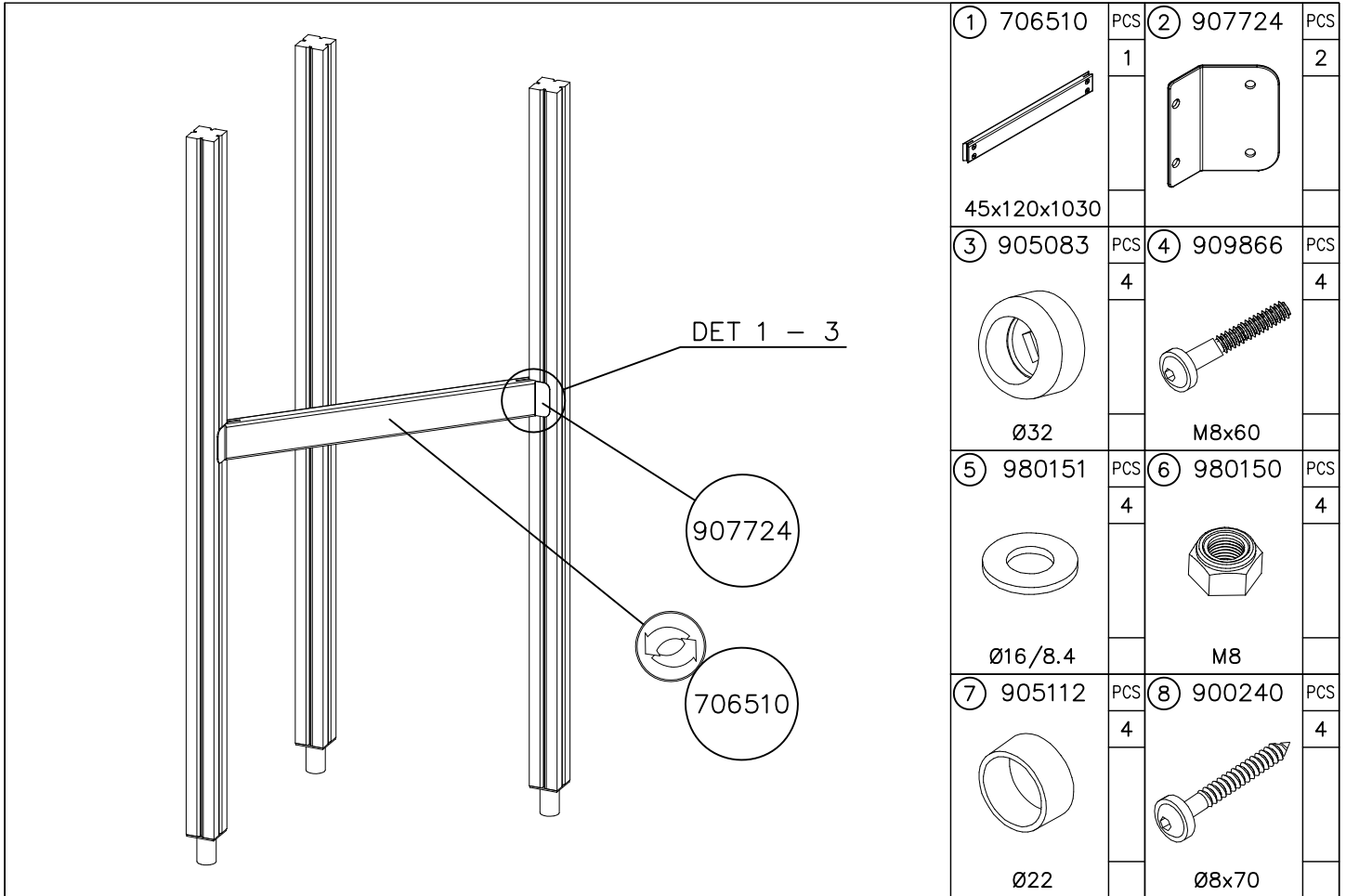


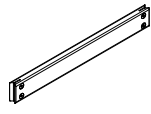
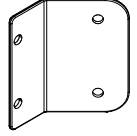
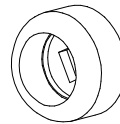
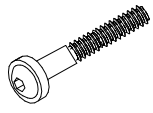
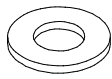
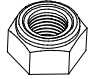
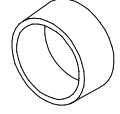
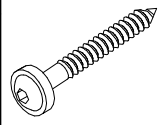
DET 3

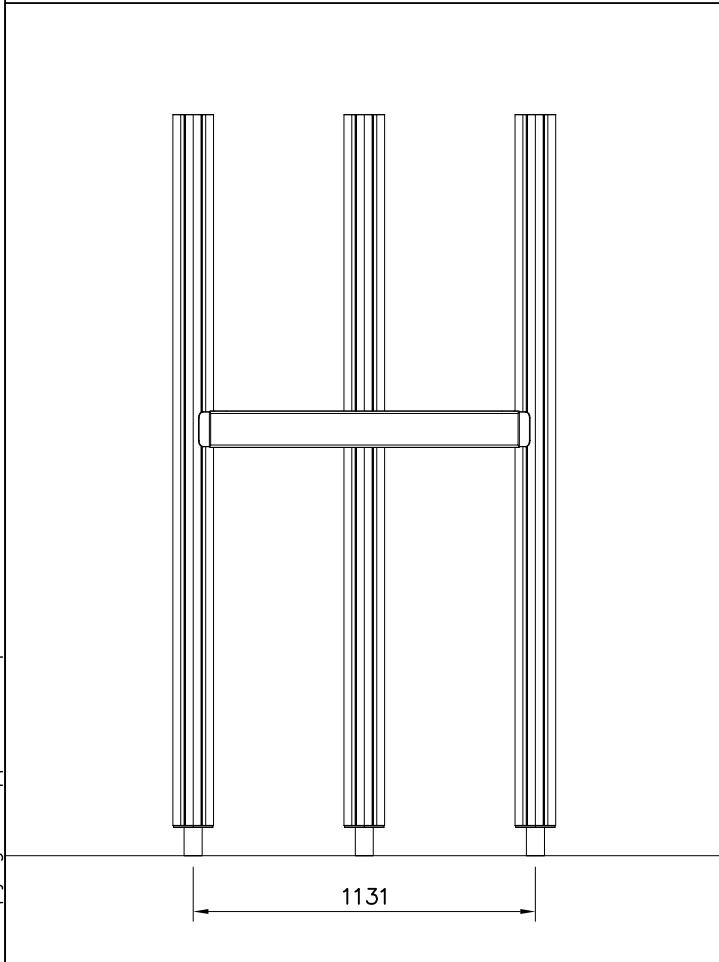


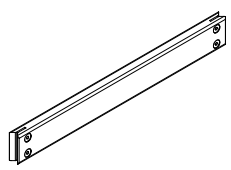




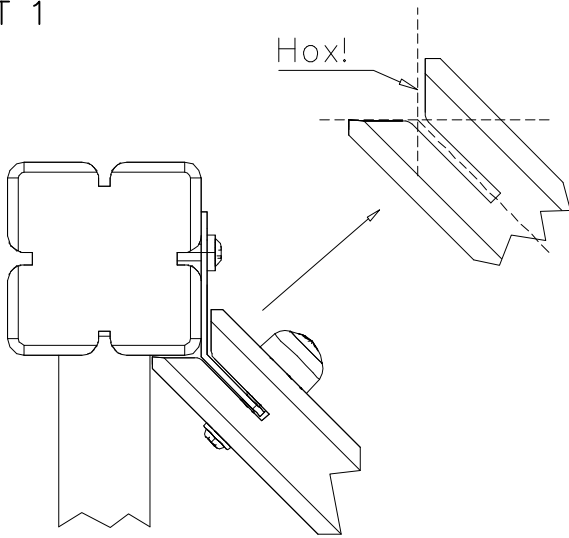


| | | | |
|---|-----|---|-----|
| ① 706510 | PCS | ② 907724 | PCS |
|  | 1 |  | 2 |
| 45x120x1030 | | | |
| ③ 905083 | PCS | ④ 909866 | PCS |
|  | 4 |  | 4 |
| Ø32 | | M8x60 | |
| ⑤ 980151 | PCS | ⑥ 980150 | PCS |
|  | 4 |  | 4 |
| Ø16/8.4 | | M8 | |
| ⑦ 905112 | PCS | ⑧ 900240 | PCS |
|  | 4 |  | 4 |
| Ø22 | | Ø8x70 | |

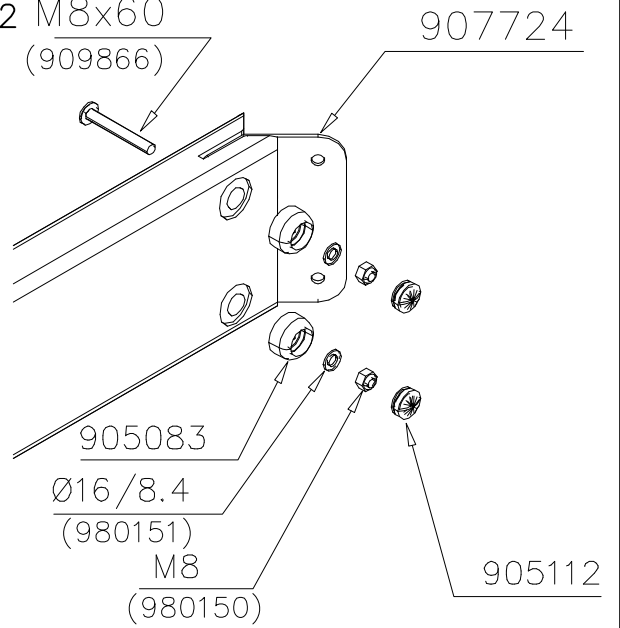


| BOOM OPTIONS | | |
|--|------------|-------------|
| 706510 | 706510-602 | DARK BROWN |
| | 706510-603 | LIGHT BROWN |
| | 706510-604 | LIGHT GRAY |
|  | | |
| 45x120x1030 | | |
| | | |
| | | |

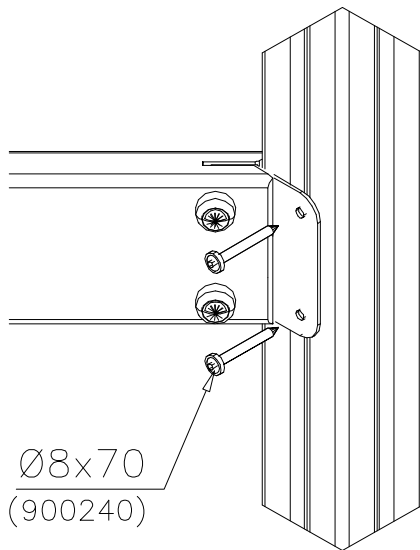
DET 1

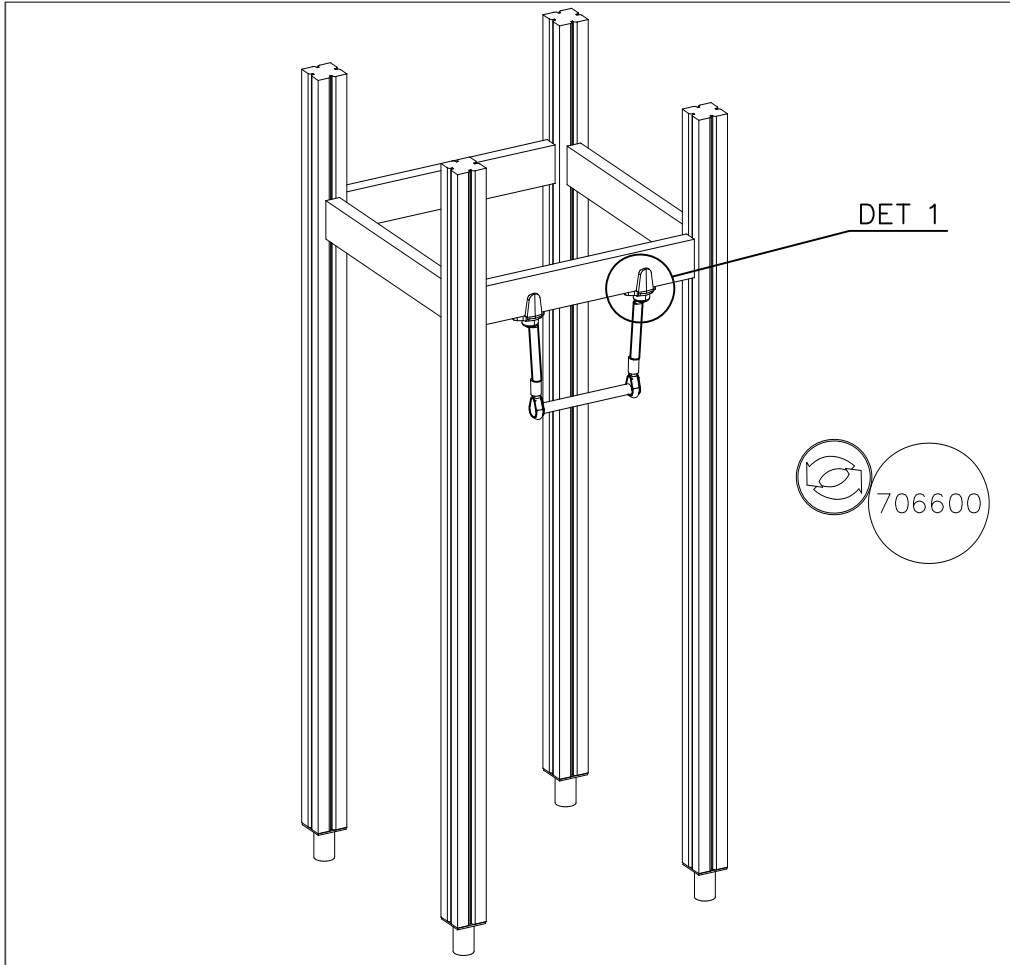


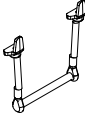


DET 2 M8x60
(909866)

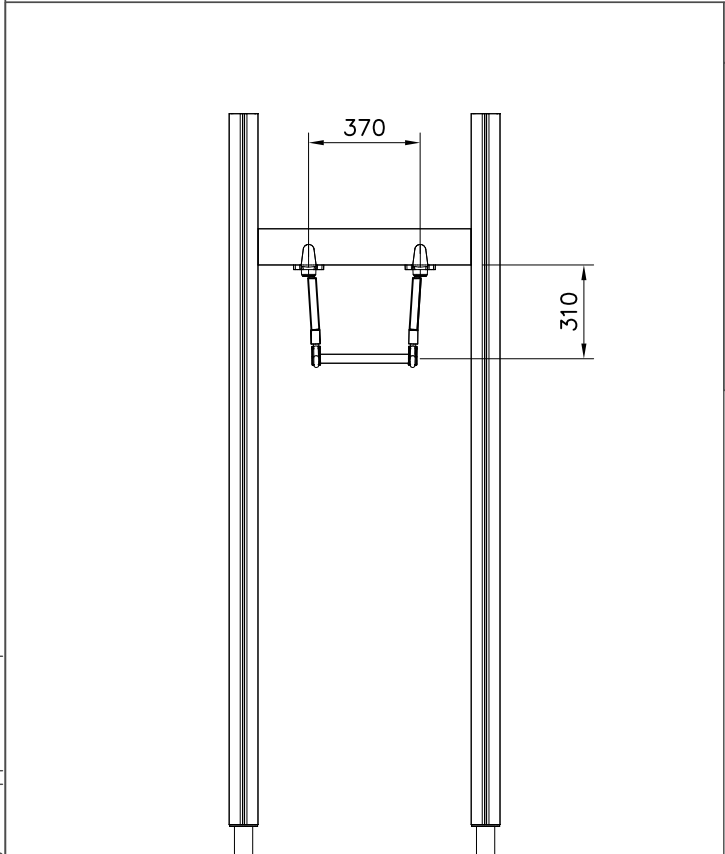


DET 3

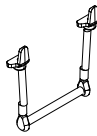


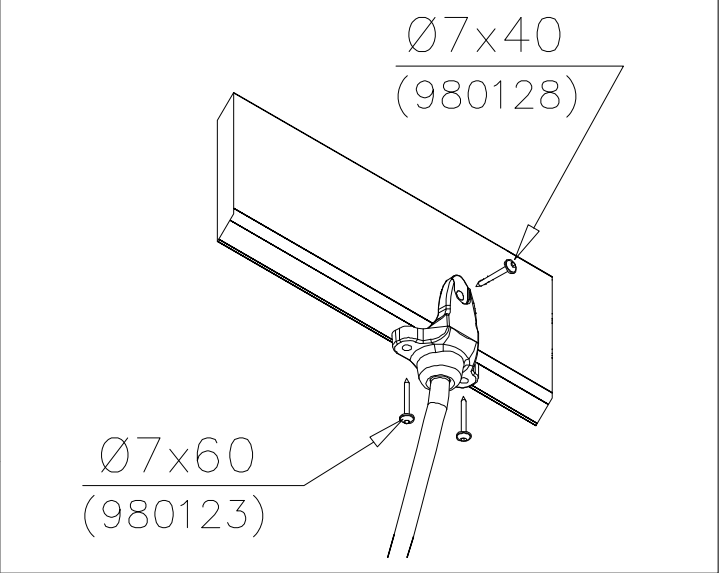


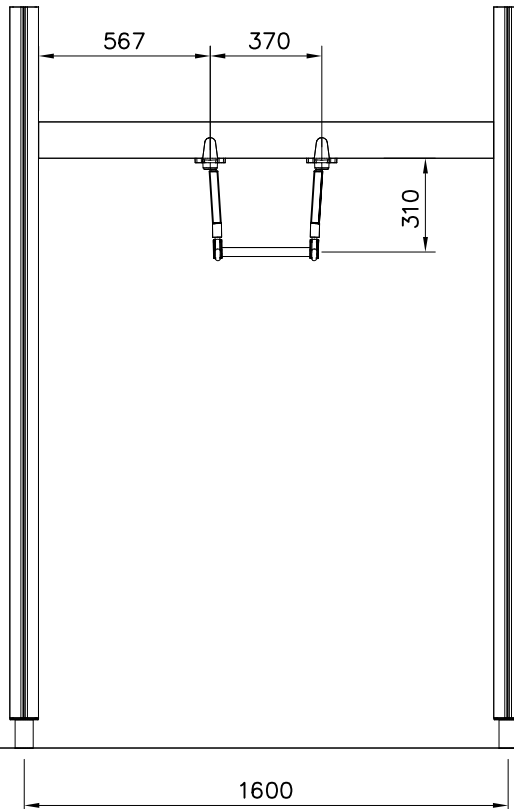
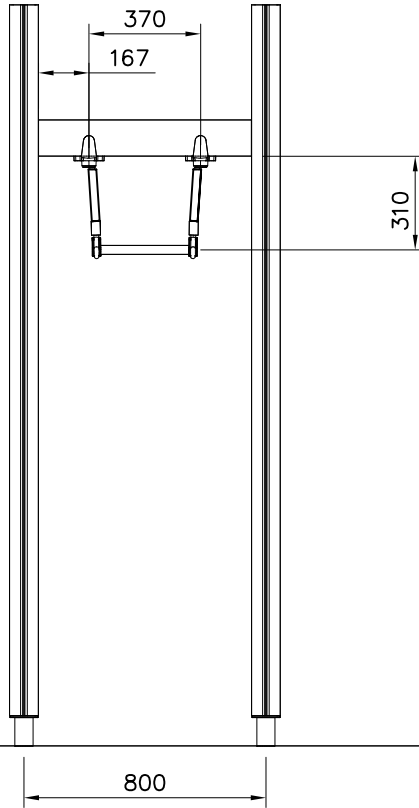
| | | | |
|---|-----|---|-----|
| ① 706600 | PCS | ② 980128 | PCS |
|  | 1 |  | 2 |
| | | Ø7x40 | |
| ③ 980123 | PCS | | PCS |
|  | 4 | | |
| | | Ø7x60 | |
| | PCS | | PCS |
| | | | |
| | PCS | | PCS |
| | | | |



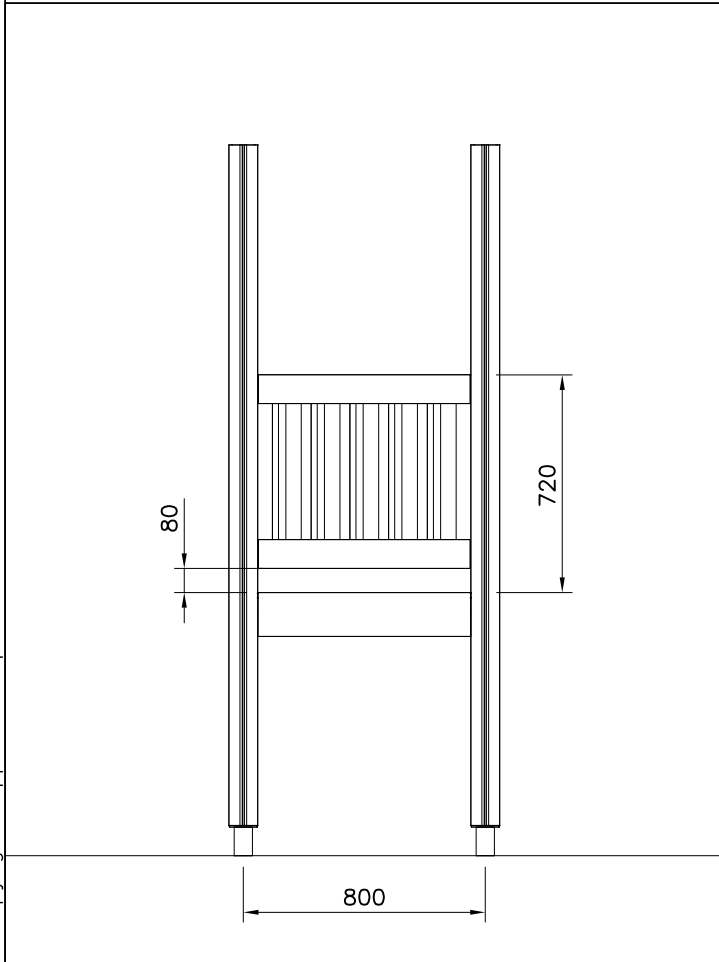
TRAPEZE OPTIONS

| | | |
|---|------------|--------|
| 706600 | 706600-301 | BLUE |
|  | 706600-302 | RED |
| | 706600-303 | BEIGE |
| | 706600-304 | GRAY |
| | 706600-305 | BLACK |
| | 706600-306 | YELLOW |

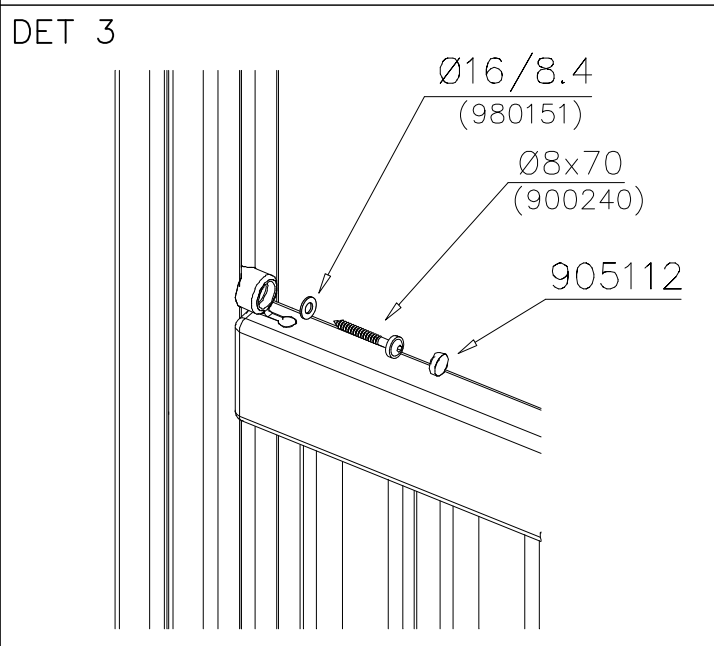
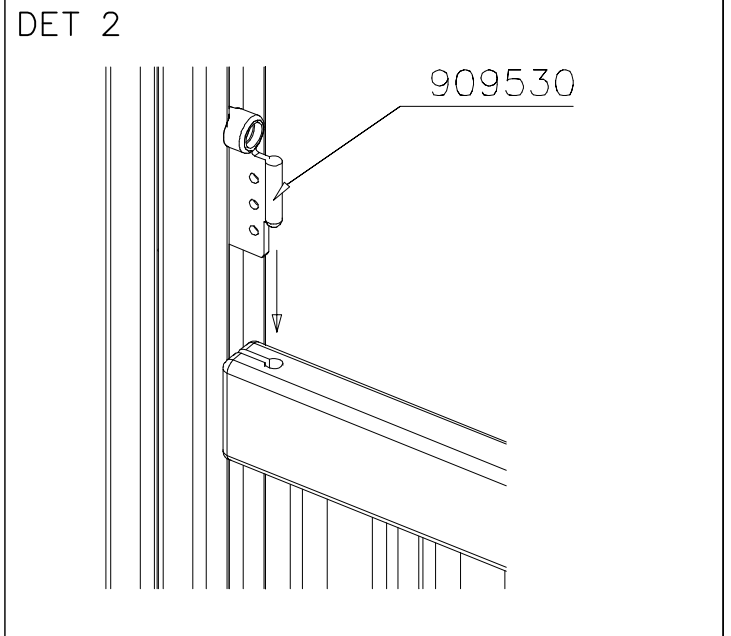
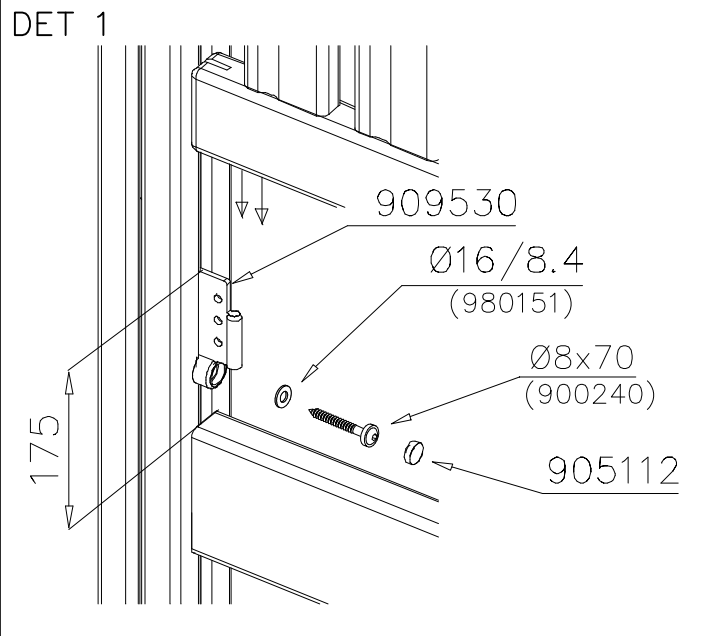


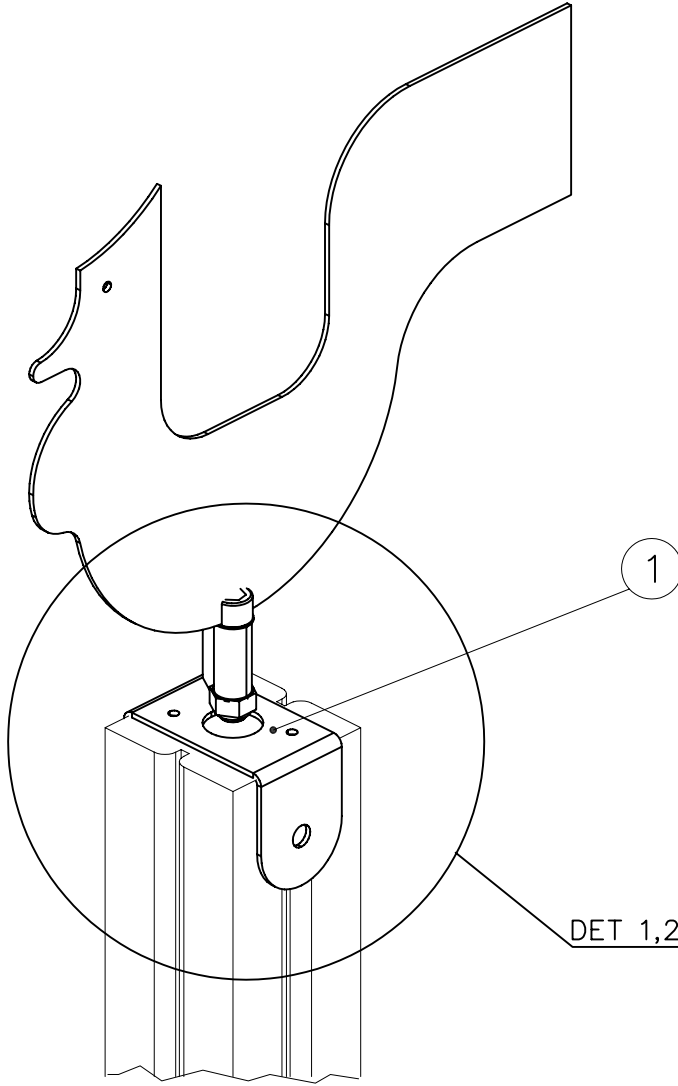


| | | | |
|------------|-----|-------------|-----|
| ① 706746 | PCS | ② 909530 | PCS |
| | 1 | | 4 |
| 45x640x701 | | 55.9x127.5 | |
| ③ 900240 | PCS | ④ 980151 | PCS |
| | 4 | | 4 |
| Ø8x70 | | Ø16/8.4x1.6 | |
| ⑤ 905112 | PCS | | PCS |
| | 4 | | |
| Ø22 | | | |
| | PCS | | PCS |



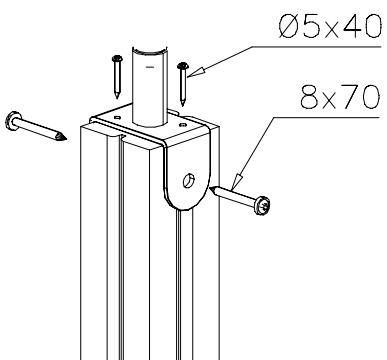
| WALL OPTIONS | | |
|--------------------------|------------|-----------|
| 706746 45x640x701 | 706746-605 | DARK GRAY |
| | 706746-606 | GRAY |
| | 706746-607 | RED |
| | 706746-608 | BLUE |
| | 706746-609 | GREEN |
| | 706746-610 | YELLOW |
| | 706746-611 | LIME |
| | 706746-612 | FUXIA |



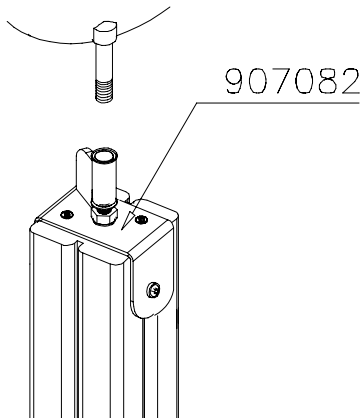


| | | | |
|----------|----------|----------|----------|
| ① 907082 | PCS 1 | ② 900240 | PCS 2 |
| | | | |
| | | Ø8x70 | |
| ③ 980106 | PCS 2 | | PCS |
| | | | |
| 5x40 | | | |
| | PCS | | PCS |
| | | | |
| | PCS | | PCS |
| | | | |
| | PCS | | PCS |
| | | | |
| ○ 007120 | PCS 1 | ○ 007121 | PCS 1 |
| | | | |
| | | | |
| ○ 007122 | PCS 1 | ○ 007123 | PCS 1 |
| | | | |
| | | | |
| ○ 007124 | PCS 1 | ○ 007125 | PCS 1 |
| | | | |
| | | | |

DET 1

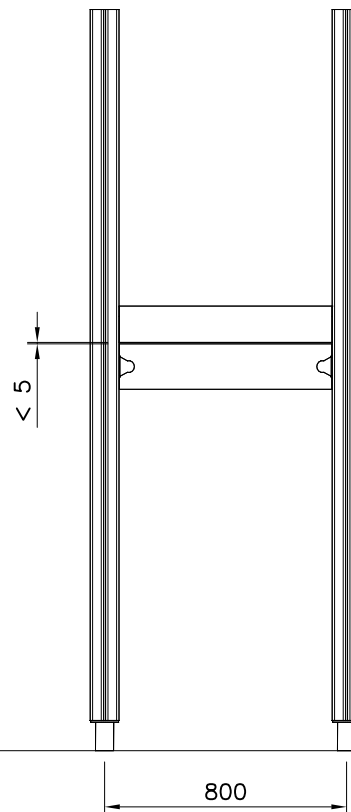
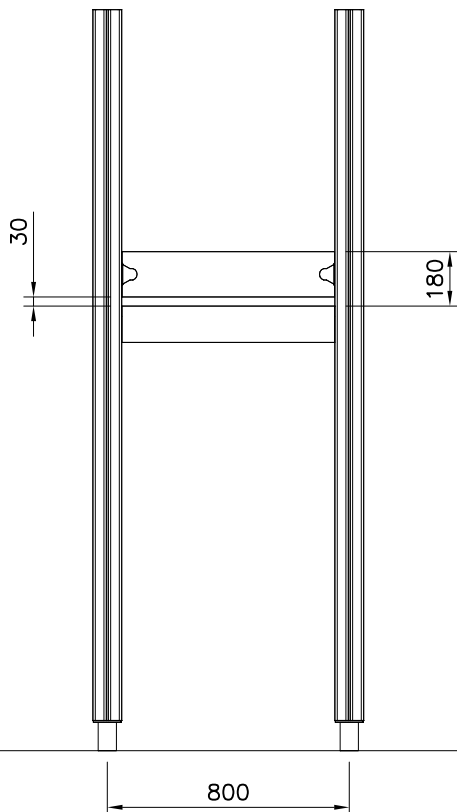


DET 2

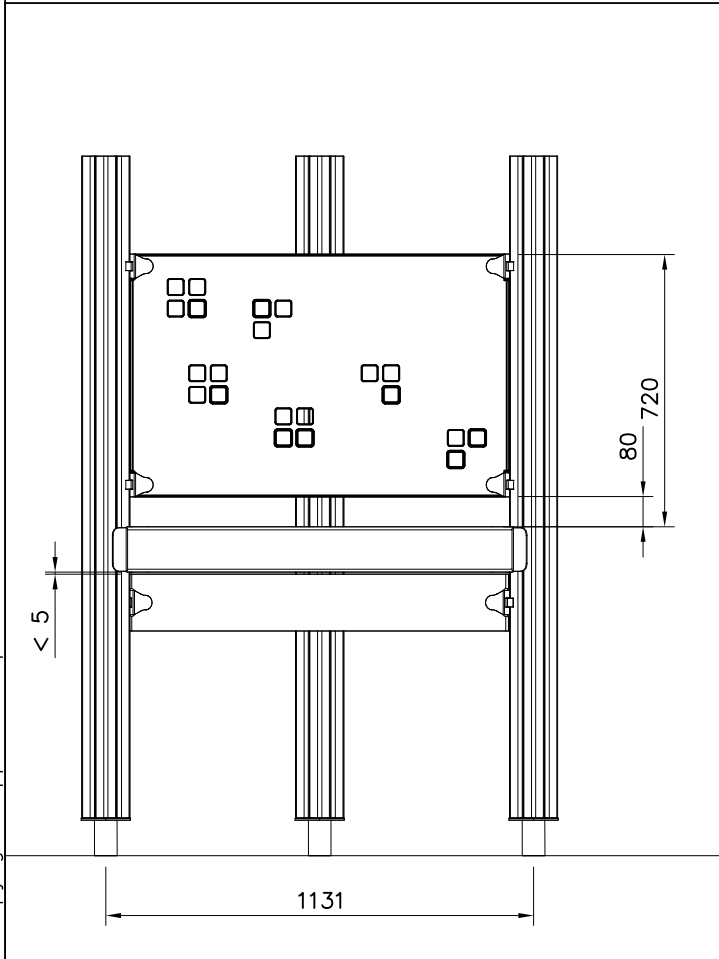
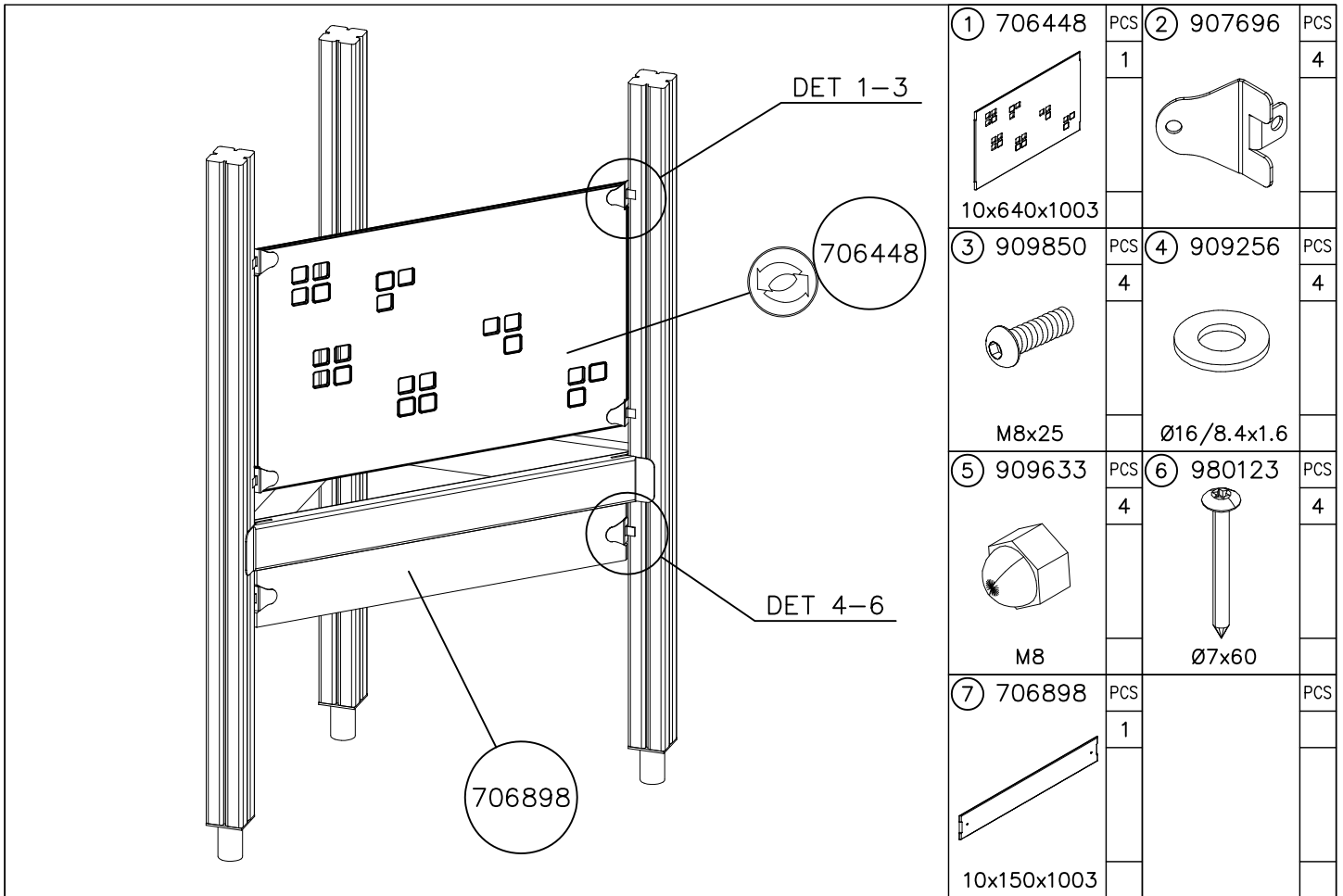


| | | | |
|------------|-----|-------------|-----|
| ① 706896 | PCS | ② 903176 | PCS |
| | 1 | | 2 |
| 15x150x703 | | | |
| ③ 909850 | PCS | ④ 909256 | PCS |
| | 2 | | 2 |
| M8x25 | | Ø16/8.4x1.6 | |
| ⑤ 909633 | PCS | ⑥ 980123 | PCS |
| | 2 | | 2 |
| M8 | | Ø7x60 | |
| | PCS | | PCS |

OR

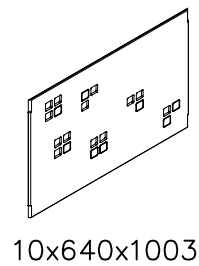


| | |
|---|--|
| <p>DET 1</p> <p>M8x25 (909850)</p> <p>903176</p> <p>Ø16/8.4 (909256)</p> <p>M8 (909633)</p> | <p>DET 2</p> <p>Ø7x60 (980123)</p> |
| <p>DET 3</p> <p>Ø16/8.4 (909256)</p> <p>903176</p> <p>M8 (909633)</p> <p>Ø7x60 (980123)</p> <p>M8x25 (909850)</p> | |
| | |



WALL OPTIONS

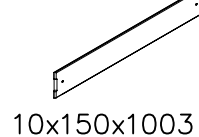
706448



| | |
|------------|------------|
| 706448-701 | BLUE |
| 706448-702 | YELLOW |
| 706448-703 | LIME |
| 706448-704 | DARK GRAY |
| 706448-705 | LIGHT GRAY |
| 706448-706 | RED |
| 706448-707 | GREEN |
| 706448-708 | FUXIA |

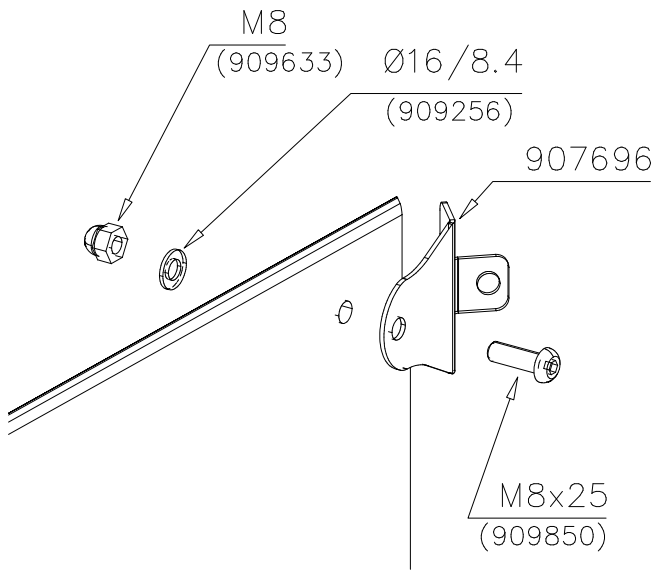
WALL OPTIONS

706898

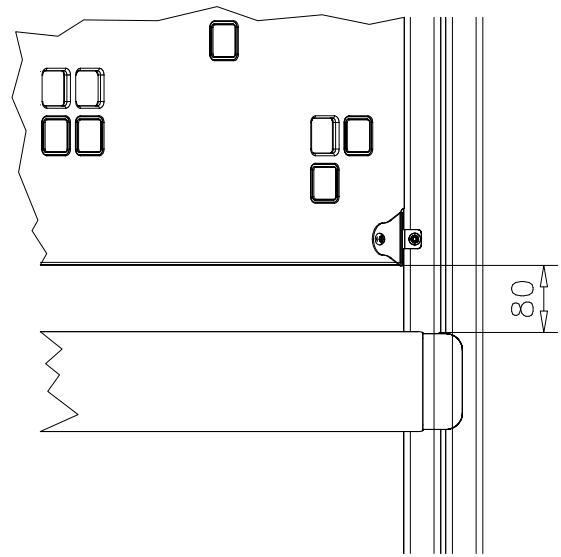


706898 DARK GRAY

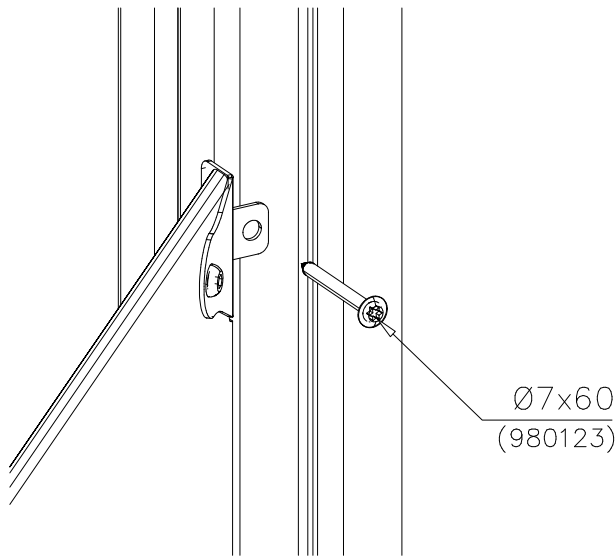
DET 1



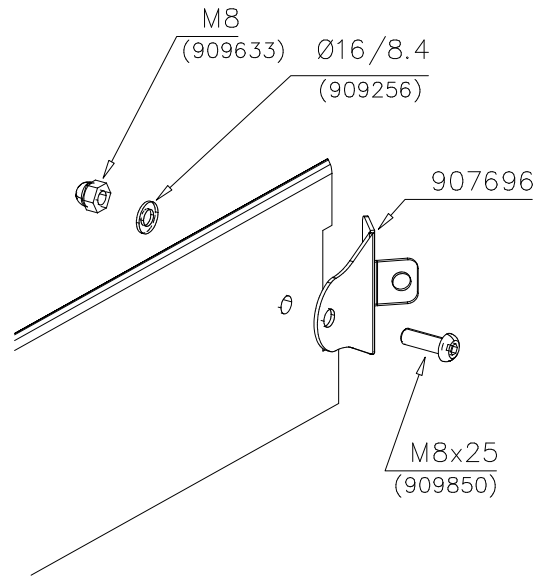
DET 2



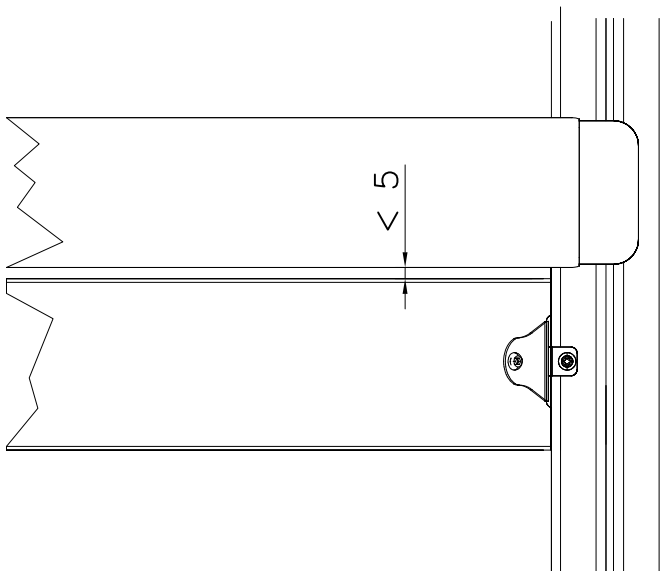
DET 3



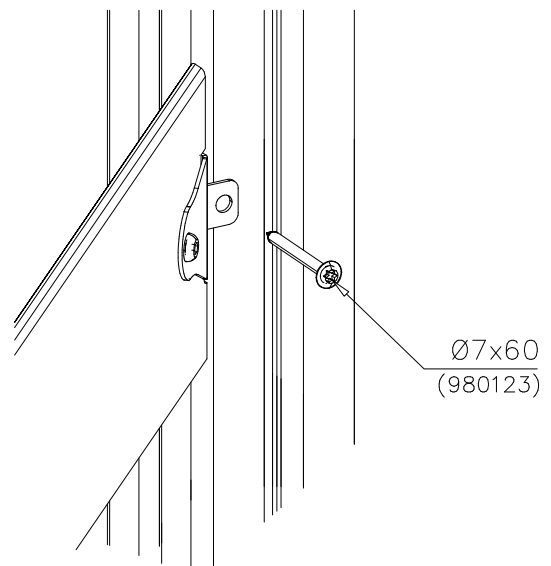
DET 4

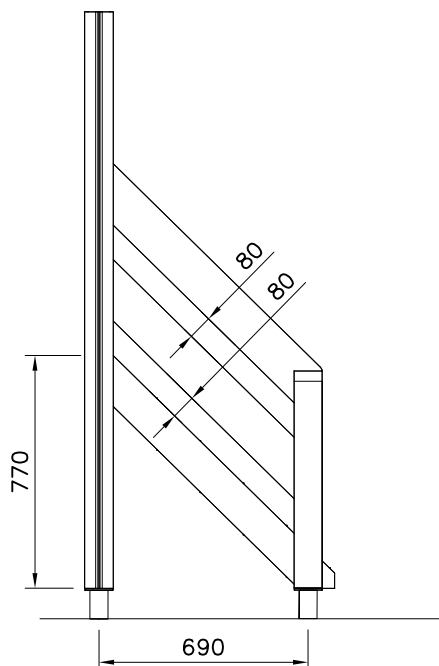
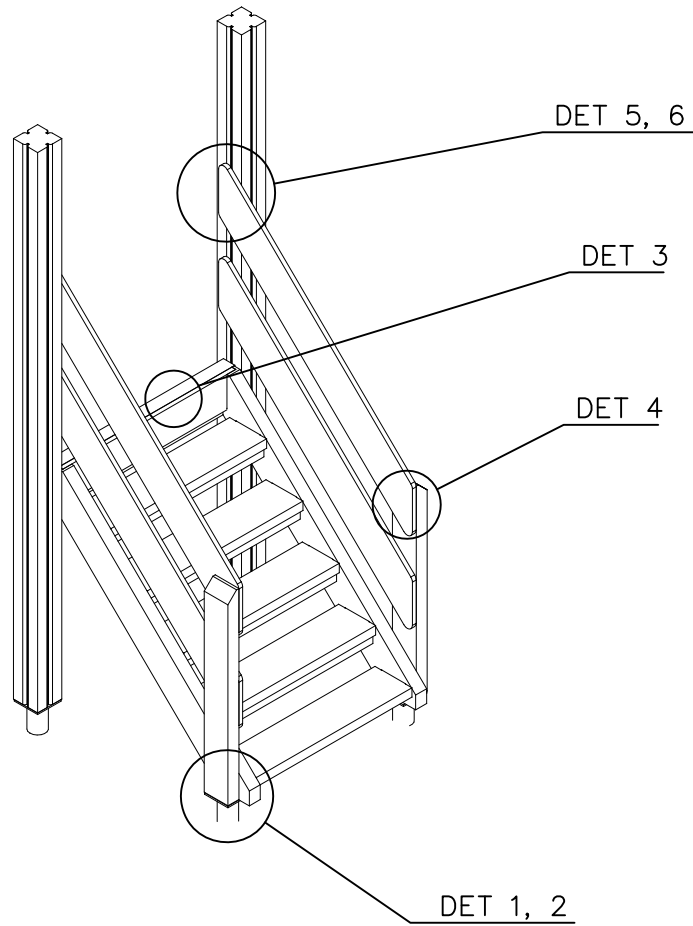


DET 5



DET 6





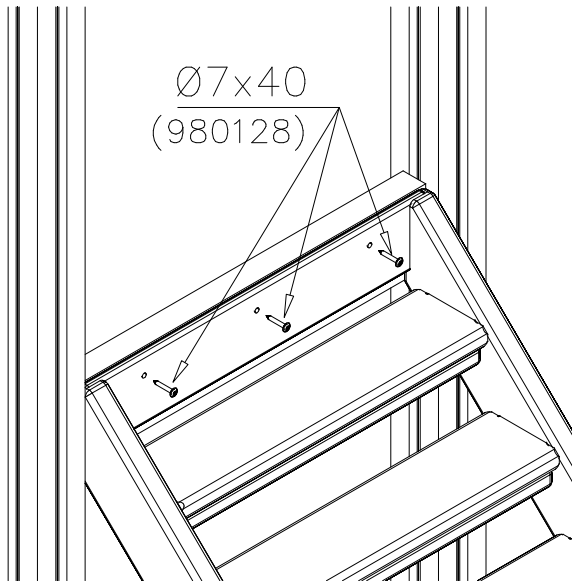
DET 1



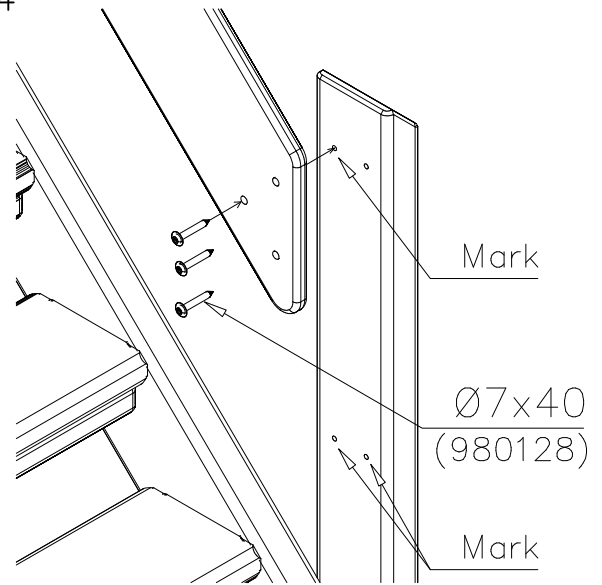
DET 2



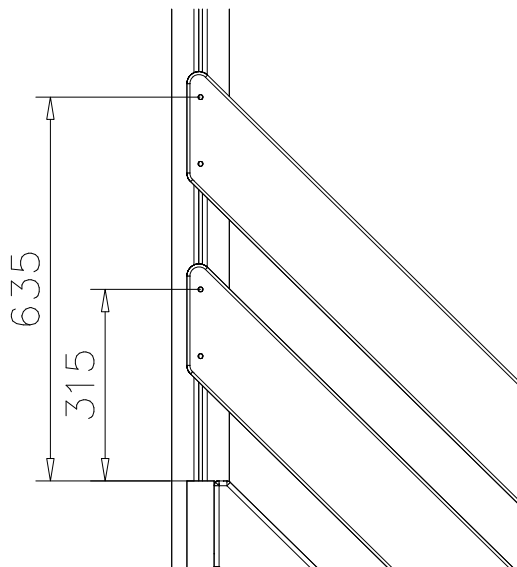
DET 3



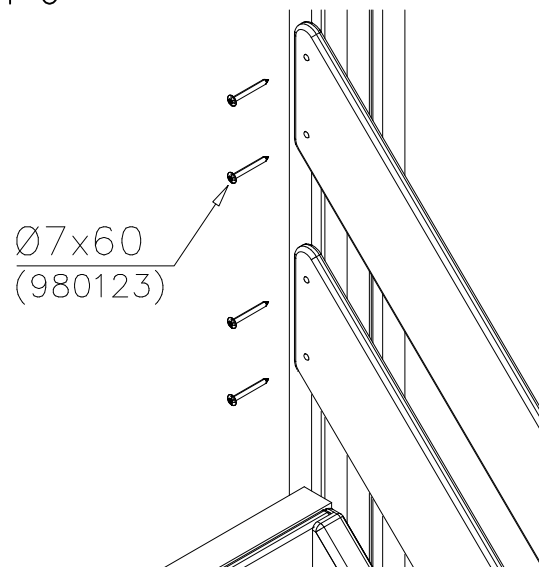
DET 4

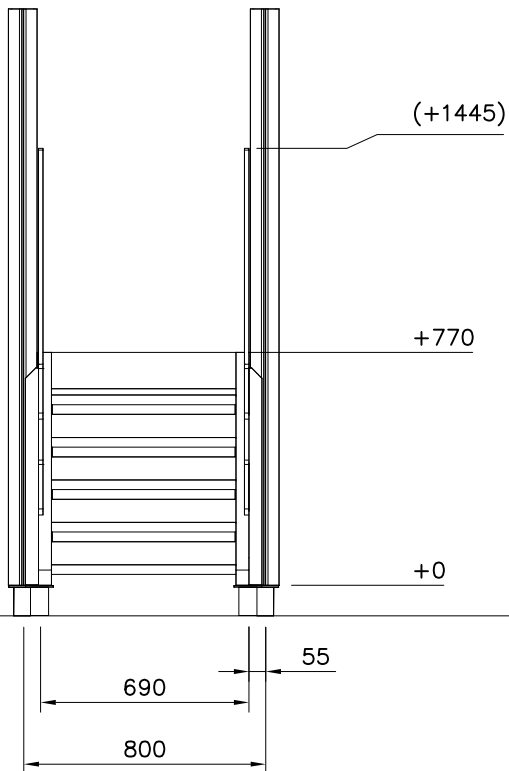


DET 5




DET 6







STAIRS OPTIONS +870

| | | | |
|--------|---|--|--|
| 707191 |  | 707191-602 DARK BROWN 707191-603 LIGHT BROWN 707191-604 LIGHT GRAY | |
|--------|---|--|--|

RAILING OPTIONS




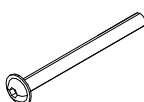
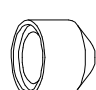
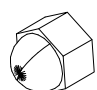
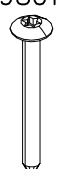


| | | | |
|-----------------|---|--|--------------------------------------|
| RAILS 707146 |  | 707146-701 BLUE 707146-702 YELLOW 707146-703 LIME 707146-704 DARK GRAY 707146-705 LIGHT GRAY 707146-706 RED | 707146-707 GREEN 707146-708 FUXIA |
|-----------------|---|--|--------------------------------------|

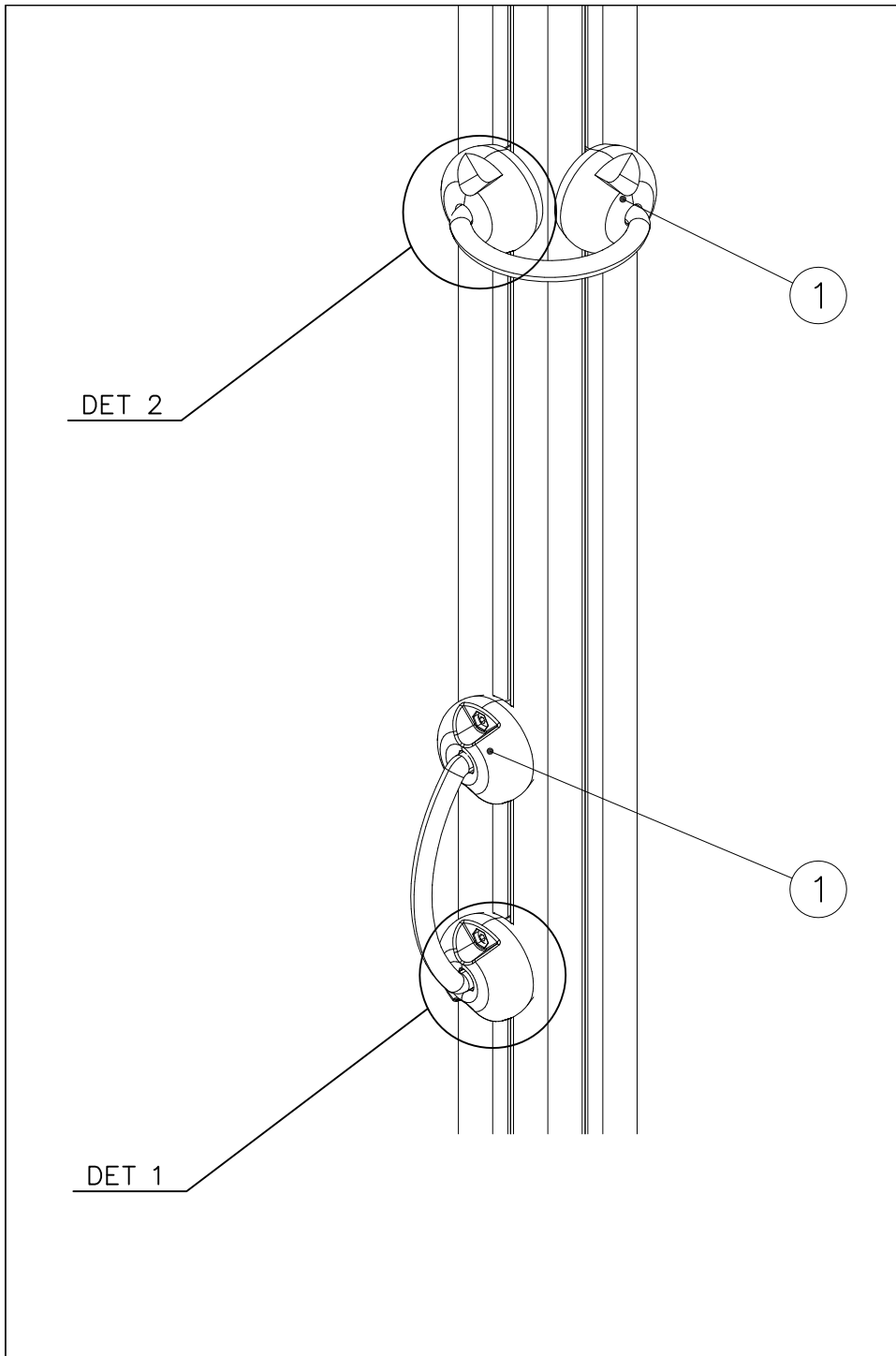
| | | | |
|----------------|--|--|--|
| POST 707145 |  | 707145-602 DARK BROWN 707145-603 LIGHT BROWN 707145-604 LIGHT GRAY | |
|----------------|--|--|--|

POST OPTIONS

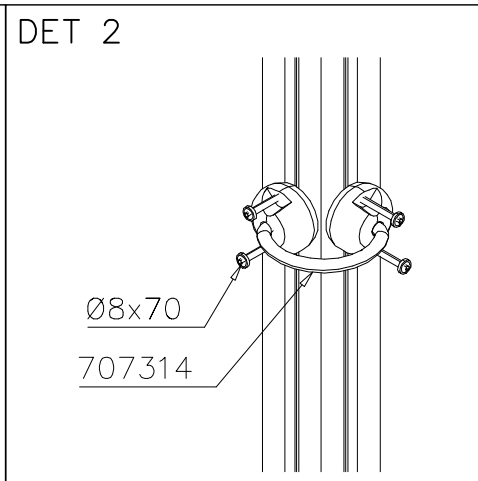
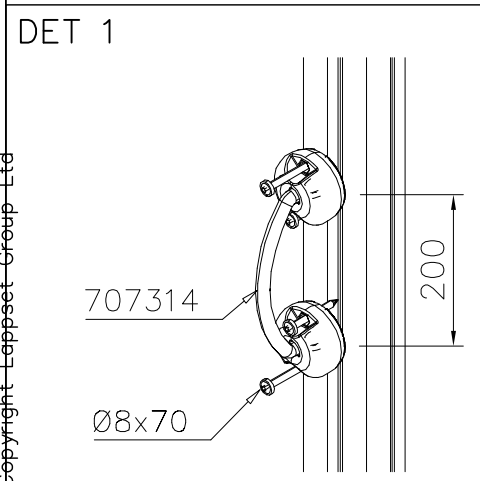
| | | | |
|--|--|--|--|
| | | | |
|--|--|--|--|

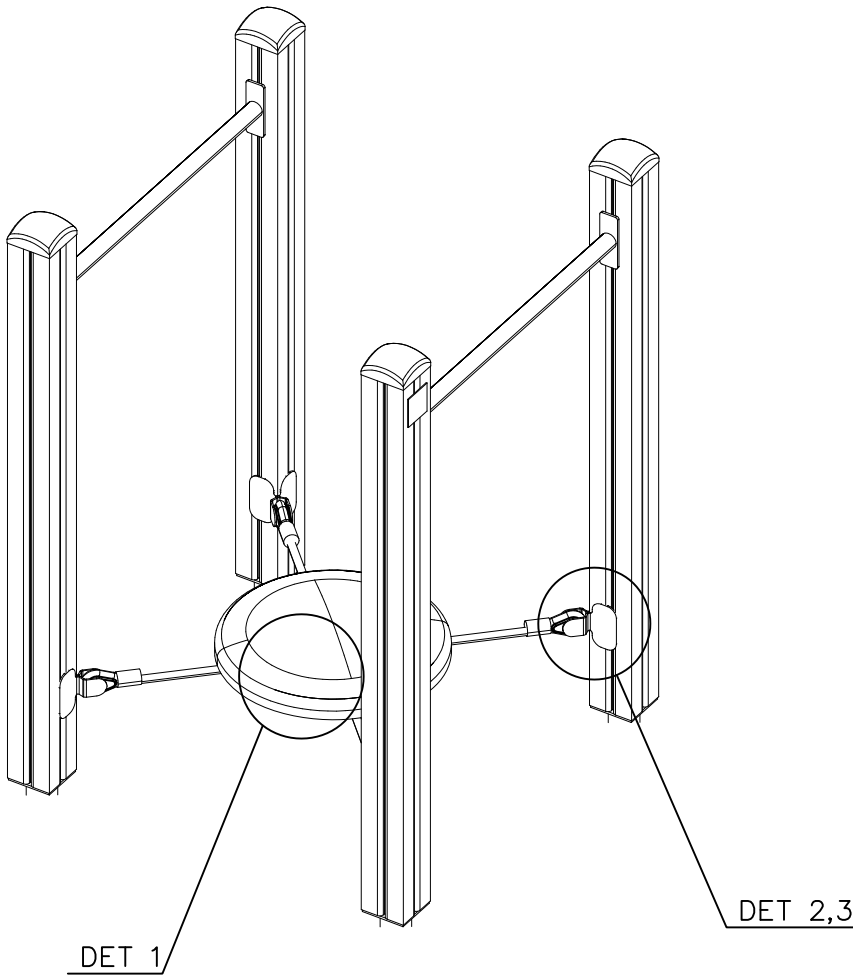
| | | | |
|--|--|--|--|
| | | | |
|--|--|--|--|

| | | | | | | | | | | | | | | | | | |
|---|--------|-----|---|--------|-----|---|--------|-----|--|--------|-----|---|--------|-----|---|--------|-----|
| ① | 707191 | PCS | ② | 707145 | PCS | ③ | 707146 | PCS | ④ | 900859 | PCS | ⑤ | 905104 | PCS | ⑥ | 909633 | PCS |
|  | | 1 |  | | 2 |  | | 4 |  | | 2 |  | | 4 |  | | 2 |
| +870 | | | 43x93x717 | | | 15x145x1153 | | | M8x90 | | | M10 | | | M8 | | |
| ⑦ | 980123 | PCS | ⑧ | 980128 | PCS | ⑨ | 980152 | PCS | | | PCS | | | PCS | | | PCS |
|  | | 8 |  | | 15 |  | | 2 | | | | | | | | | |
| Ø7x60 | | | Ø7x40 | | | Ø24/8.4x2 | | | | | | | | | | | |



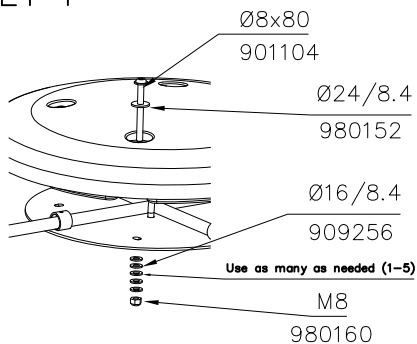
| | | | |
|----------|-----|----------|-----|
| ① 707314 | PCS | ② 900240 | PCS |
| | 1 | | 4 |
| BLACK | | Ø8x70 | |
| | PCS | | PCS |
| | | | |
| | PCS | | PCS |
| | | | |
| | PCS | | PCS |
| | | | |
| | PCS | | PCS |
| | | | |



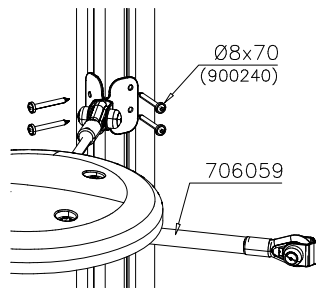


| | | | | | |
|---|--------|-----|---|---------|-----|
| ① | 929561 | PCS | ② | 909568 | PCS |
| | | 8 | | | 4 |
| | | | | M8x55 | |
| ③ | 901104 | PCS | ④ | 900240 | PCS |
| | | 4 | | | 16 |
| | | | | M8x80 | |
| | | | | Ø8x70 | |
| ⑤ | 905083 | PCS | ⑥ | 909256 | PCS |
| | | 8 | | | 28 |
| | | | | Ø32 | |
| | | | | Ø16/8.4 | |
| ⑦ | 980152 | PCS | ⑧ | 980160 | PCS |
| | | 4 | | | 4 |
| | | | | Ø24/8.4 | |
| | | | | M8 | |
| ⑨ | 905112 | PCS | ⑩ | 909633 | PCS |
| | | 8 | | | 4 |
| | | | | Ø22 | |
| | | | | M8 | |
| | | PCS | | | PCS |
| | | | | | |
| | | PCS | | | PCS |
| | | | | | |
| | | PCS | | | PCS |
| | | | | | |

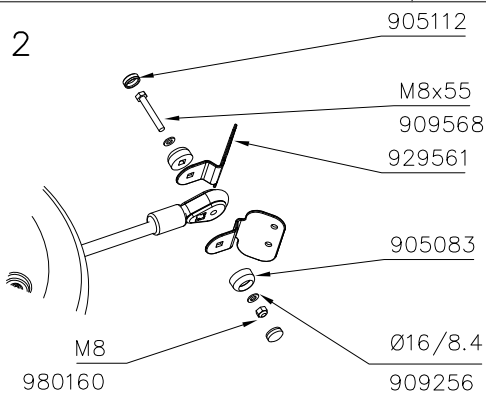
DET 1

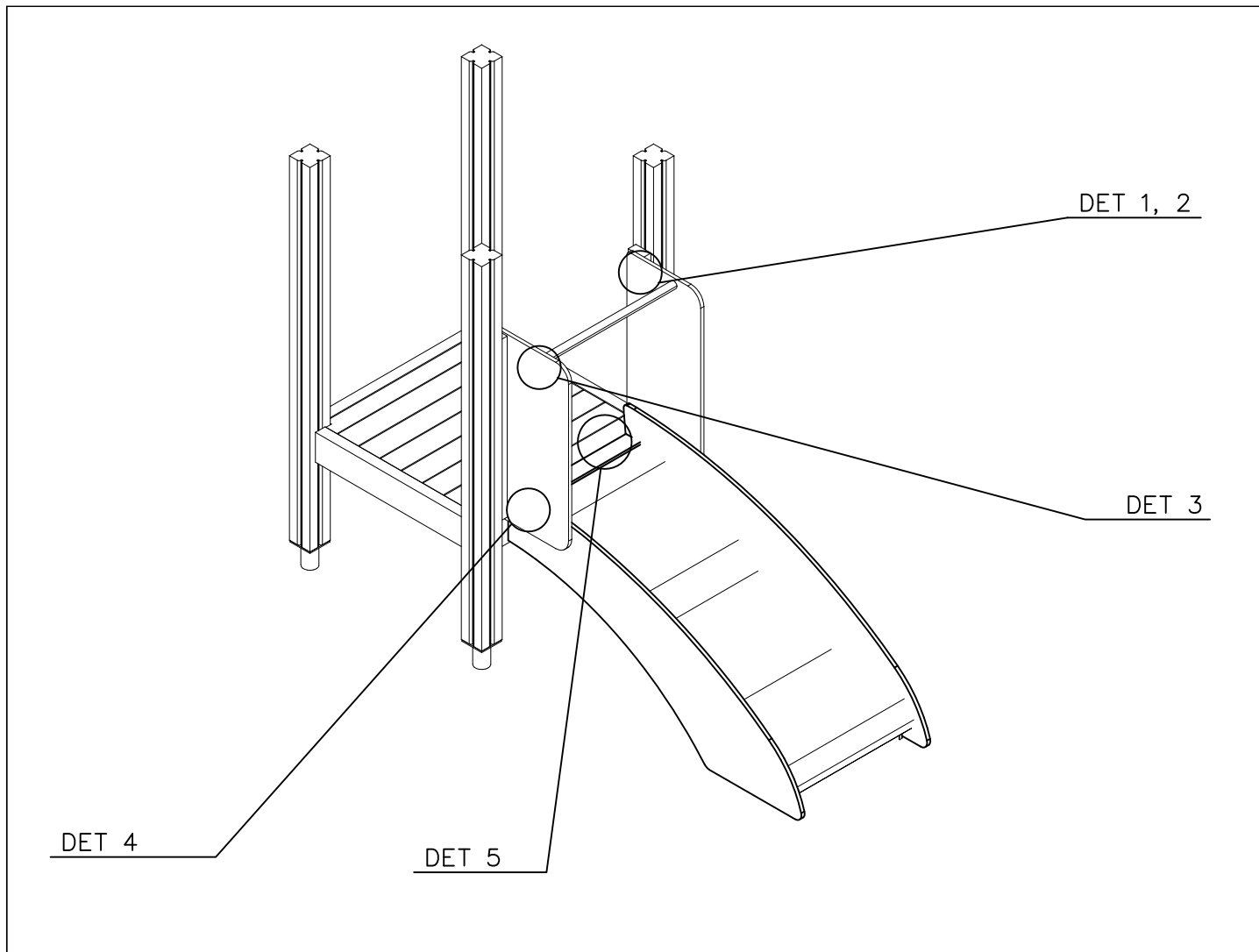


DET 3



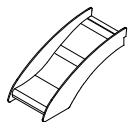
DET 2





SLIDE OPTIONS

707376
 +570



707376-702 YELLOW
 707376-704 DARK GREY

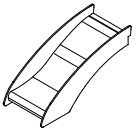
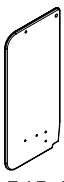

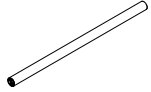
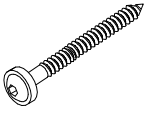
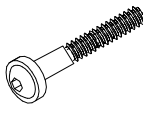
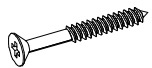
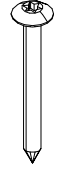
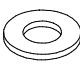


WALL OPTIONS

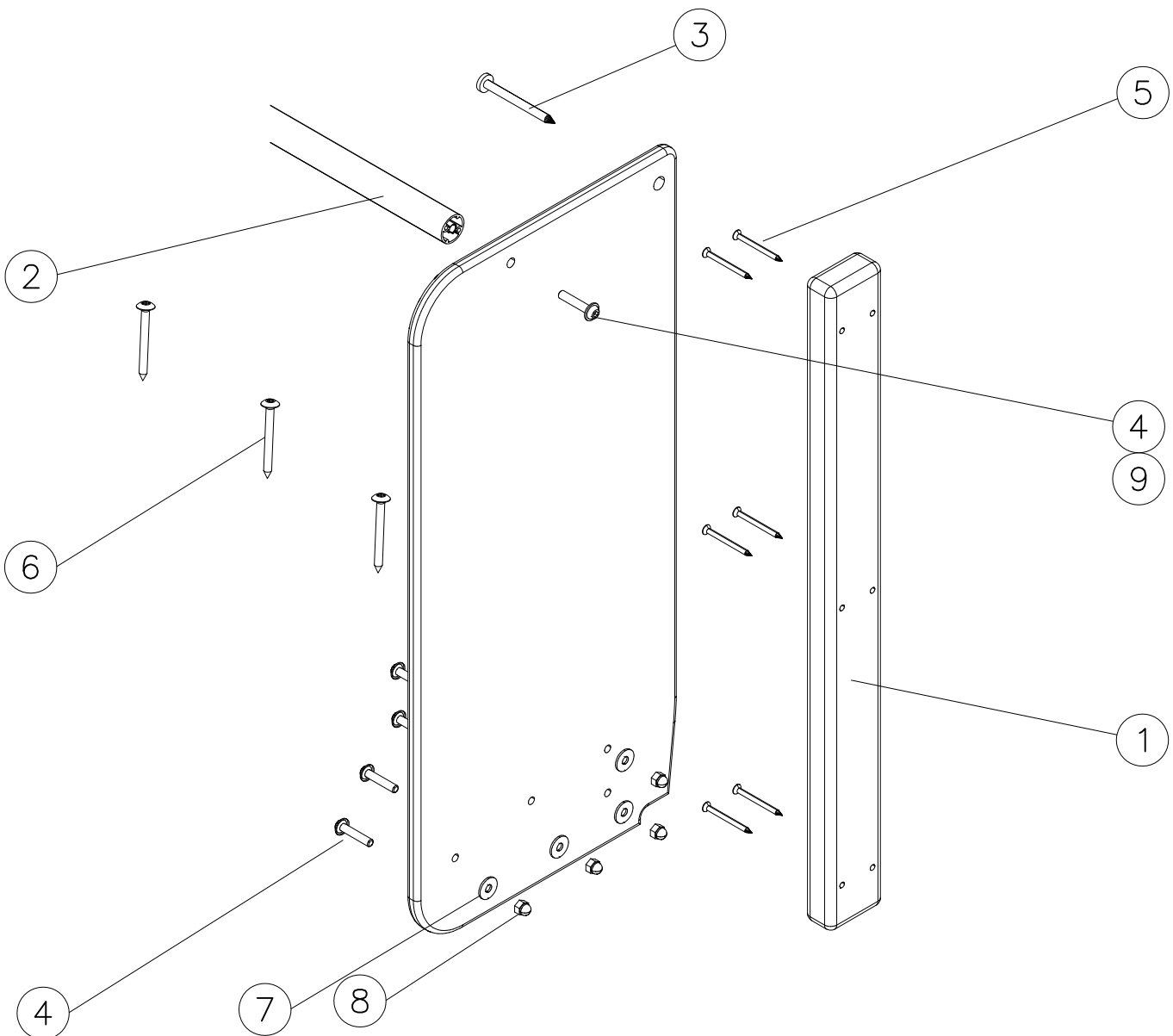
706371

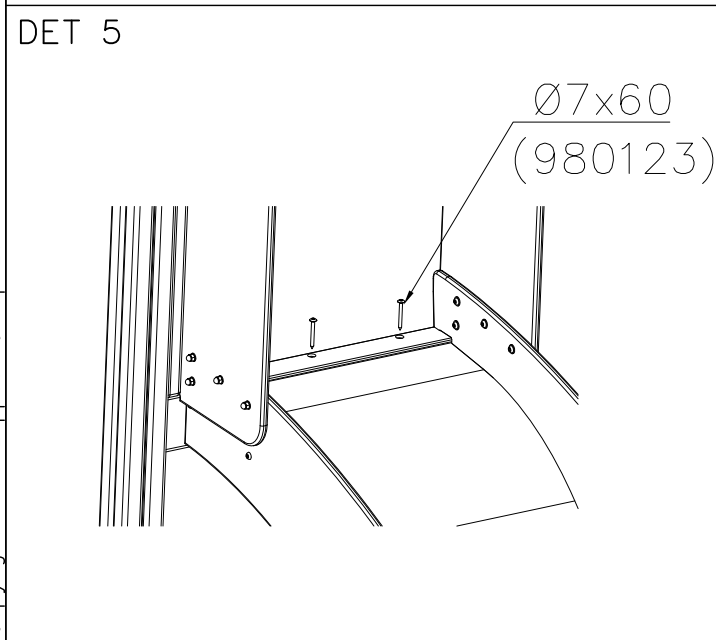
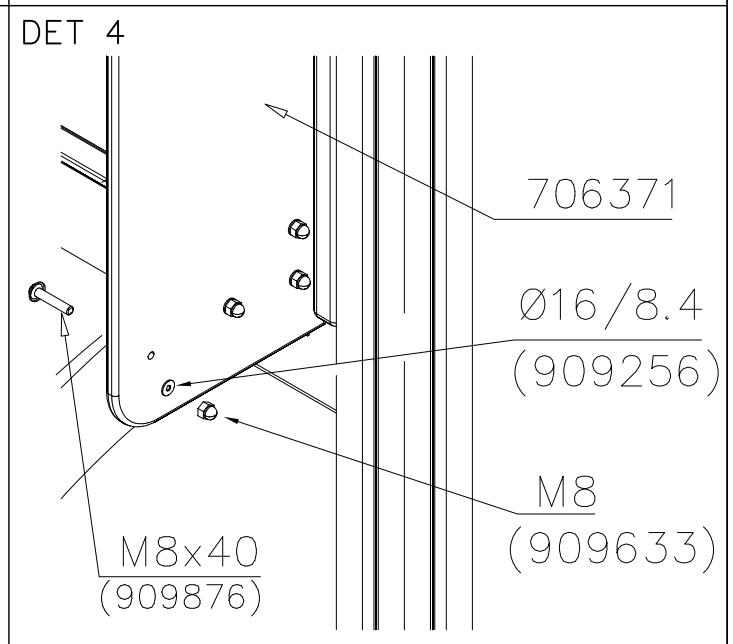
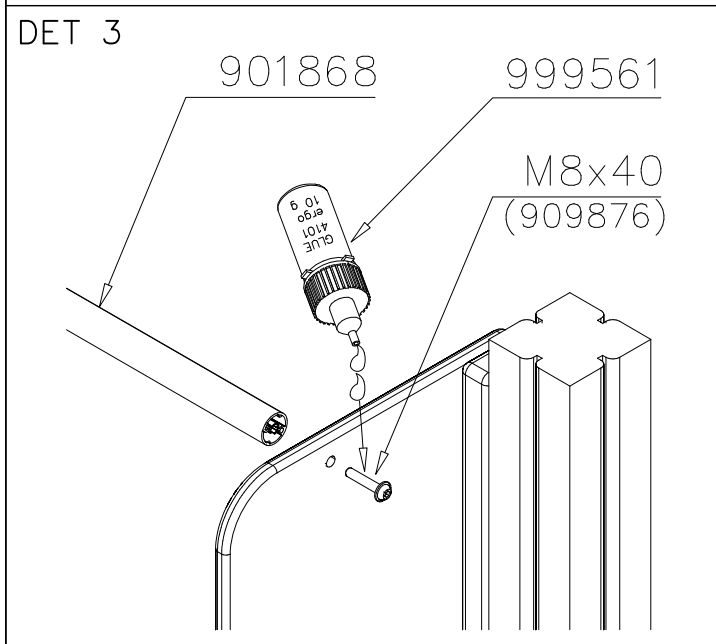
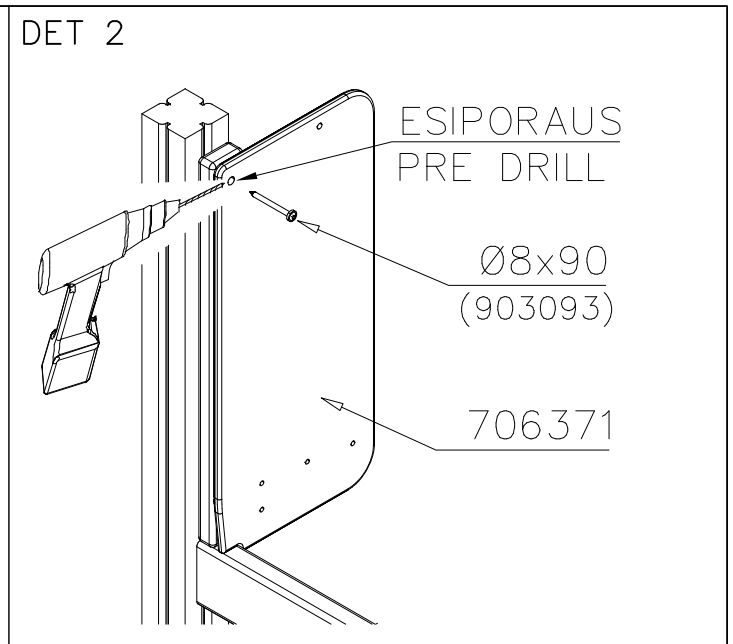
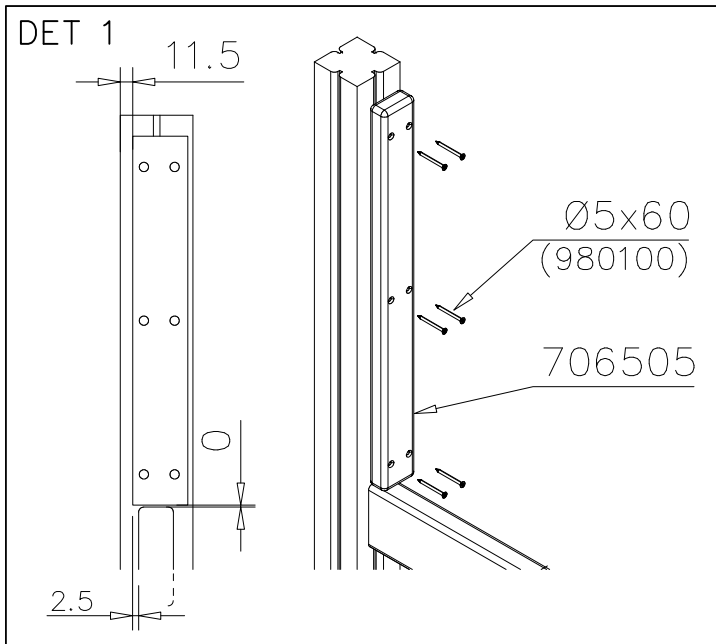


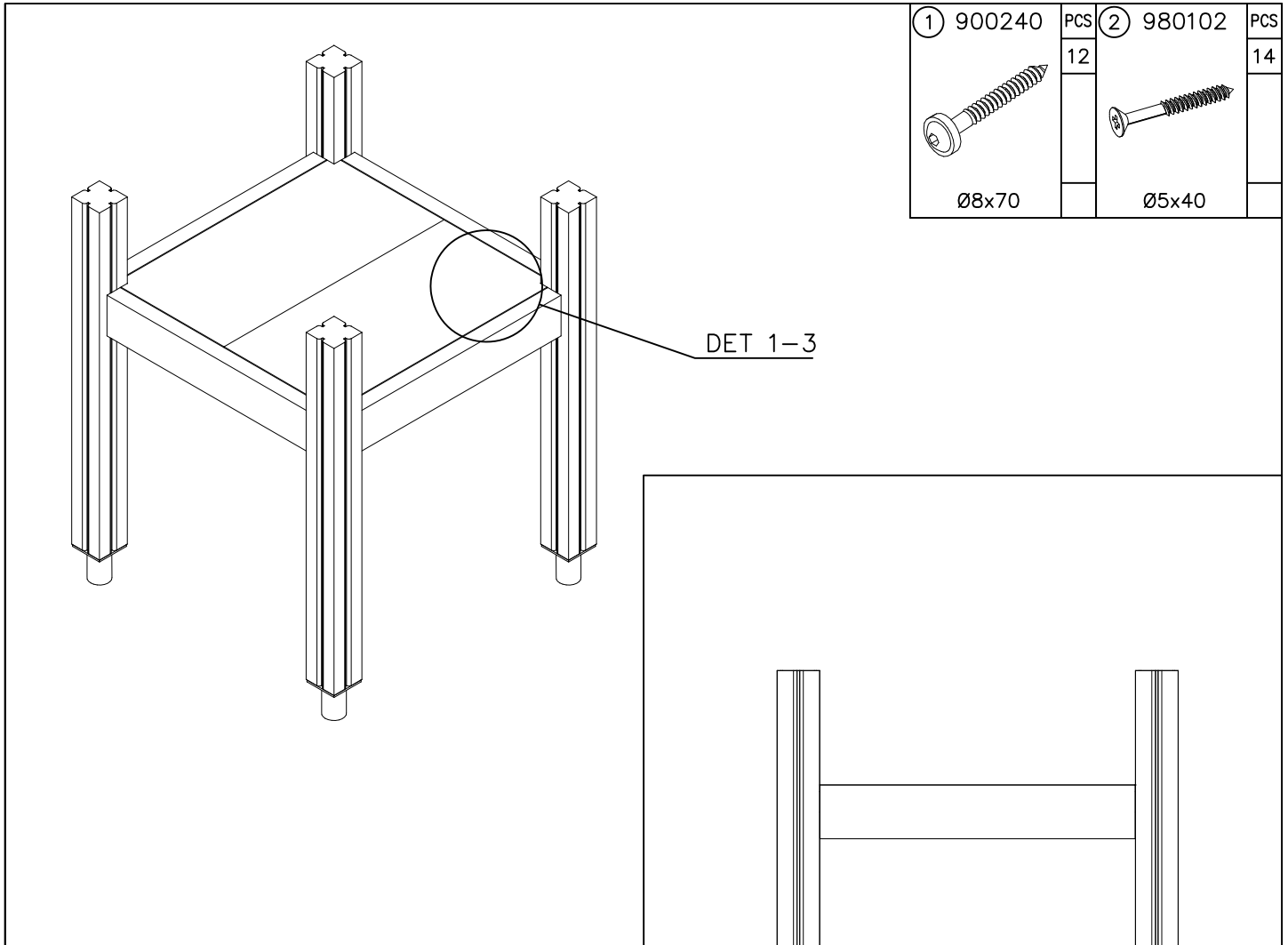
706371-701 BLUE
 706371-702 YELLOW
 706371-703 LIME
 706371-704 DRARK GRAY
 706371-705 LIGHT GRAY
 706371-706 RED

706371-707 GREEN
 706371-708 FUXIA

| | | | | | | | | | | | |
|--|-----------|---|----------|---|----------|---|----------|--|----------|---|-----------|
| ○ SLIDE | PCS 1 | ○ 706371 | PCS 2 | ① 706505 | PCS 2 | ② 901868 | PCS 1 | ③ 903093 | PCS 2 | ④ 909876 | PCS 10 |
|  | |  | |  | |  | |  | |  | |
| +570 | | 15x345x750 | | 35x70x730 | | ∅34x598 | | ∅8x90 | | M8x40 | |
| ⑤ 980100 | PCS 12 | ⑥ 980123 | PCS 3 | ⑦ 909256 | PCS 8 | ⑧ 909633 | PCS 8 | ⑨ 999561 | PCS 1 | | |
|  | |  | |  | |  | |  | | | |
| ∅5x60 | | ∅7x60 | | ∅16/8.4 | | M8 | | 10g | | | |

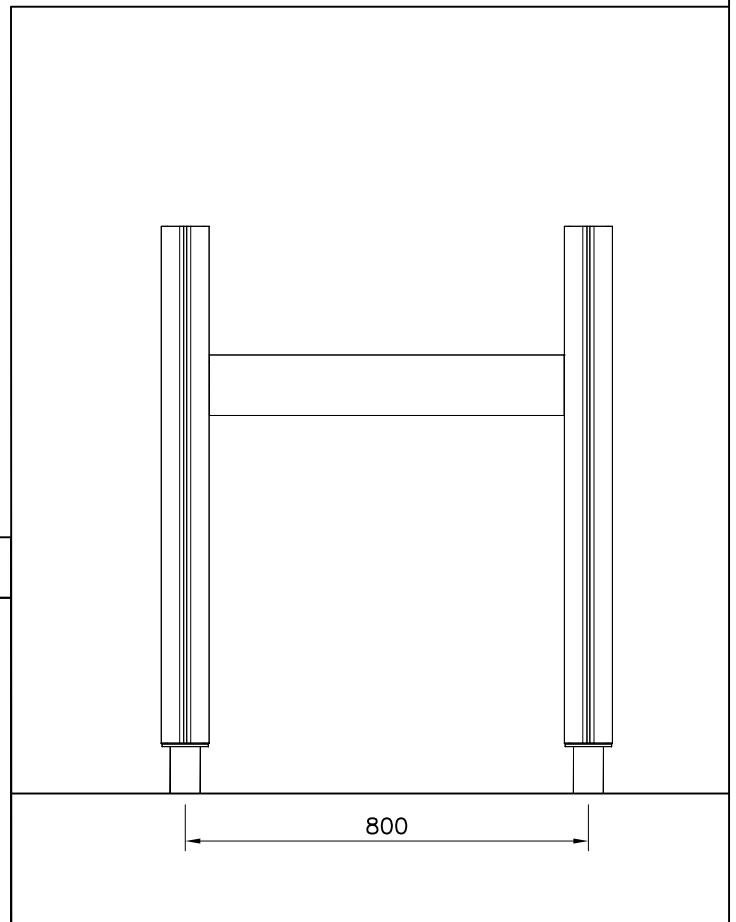






| | | | |
|----------|-----|----------|-----|
| ① 900240 | PCS | ② 980102 | PCS |
| | 12 | | 14 |
| Ø8x70 | | Ø5x40 | |

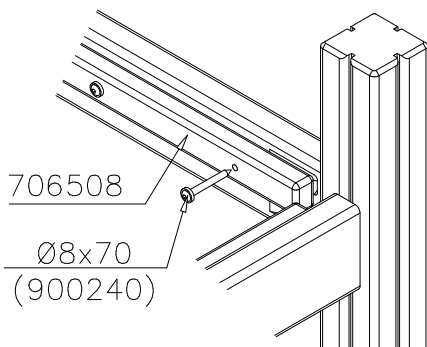
DET 1-3



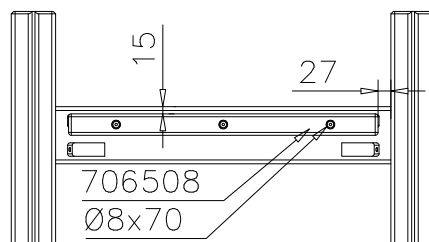
FLOOR OPTIONS

| | | |
|----------------|------------|------------|
| 15x375x750 | 707327-701 | BLUE |
| | 707327-702 | YELLOW |
| | 707327-703 | LIME |
| | 707327-704 | DARK GRAY |
| | 707327-705 | LIGHT GRAY |
| | 707327-706 | RED |
| | 707327-707 | GREEN |
| | 707327-708 | FUXIA |

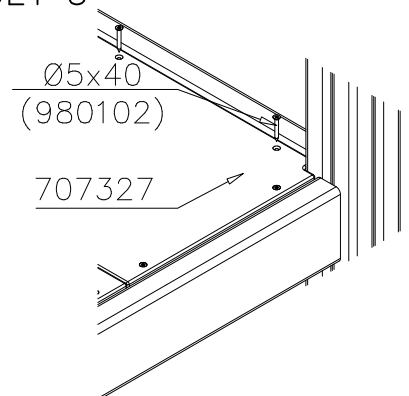
DET 1

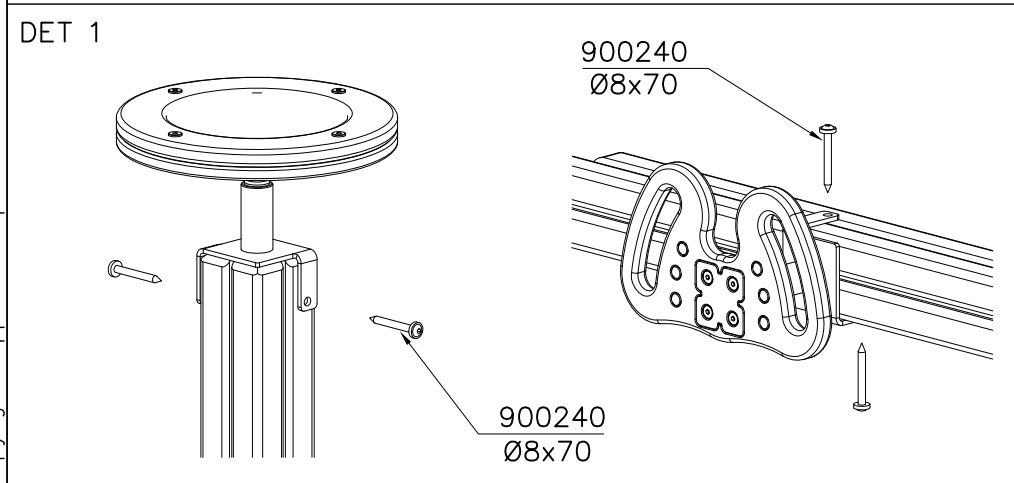
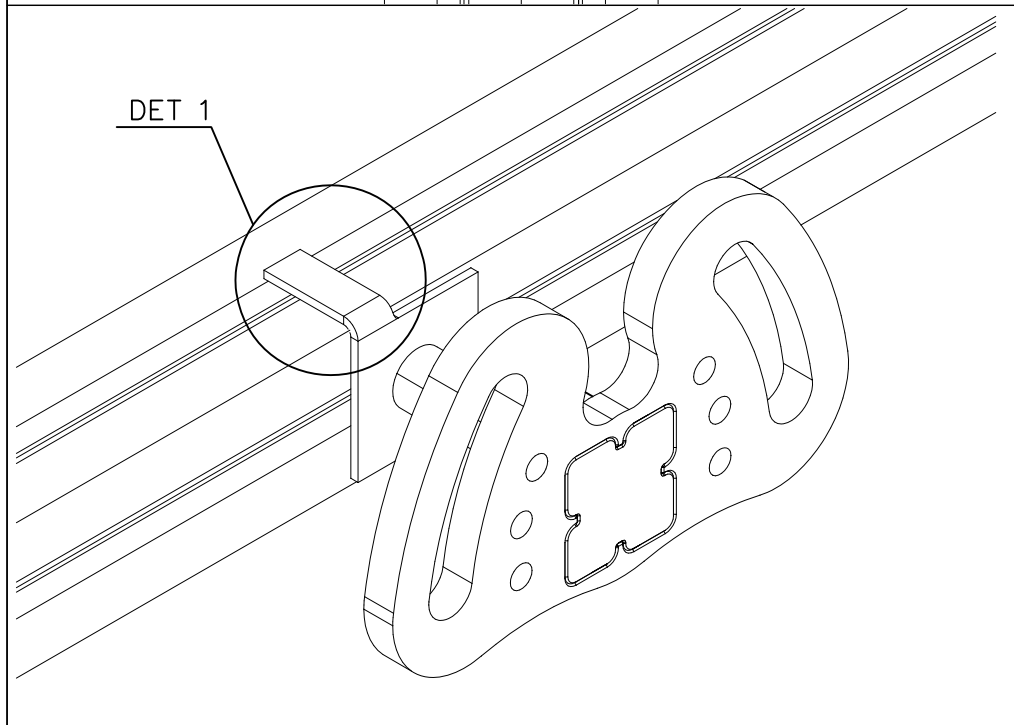


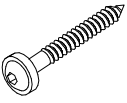

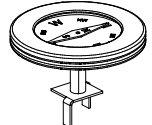
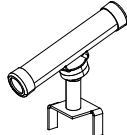
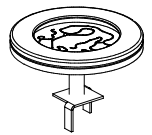
DET 2

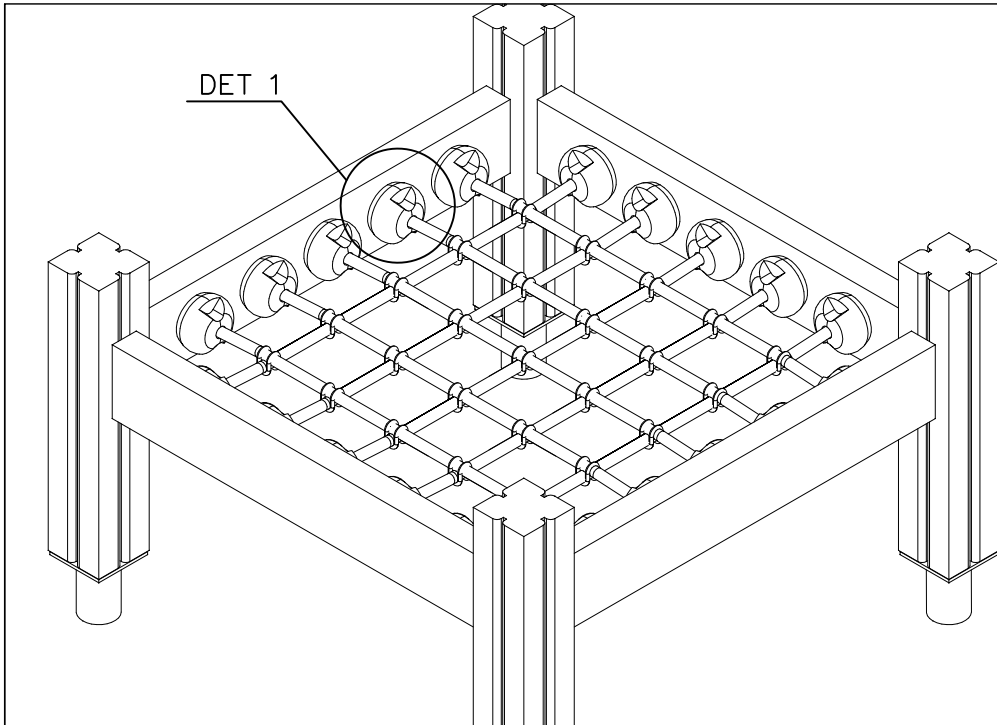


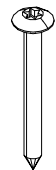

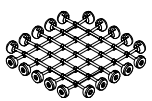
DET 3

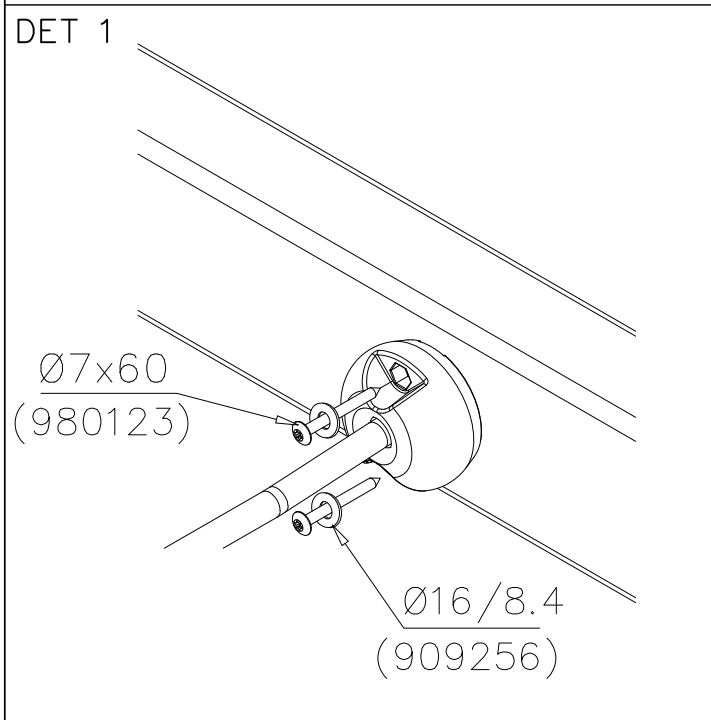
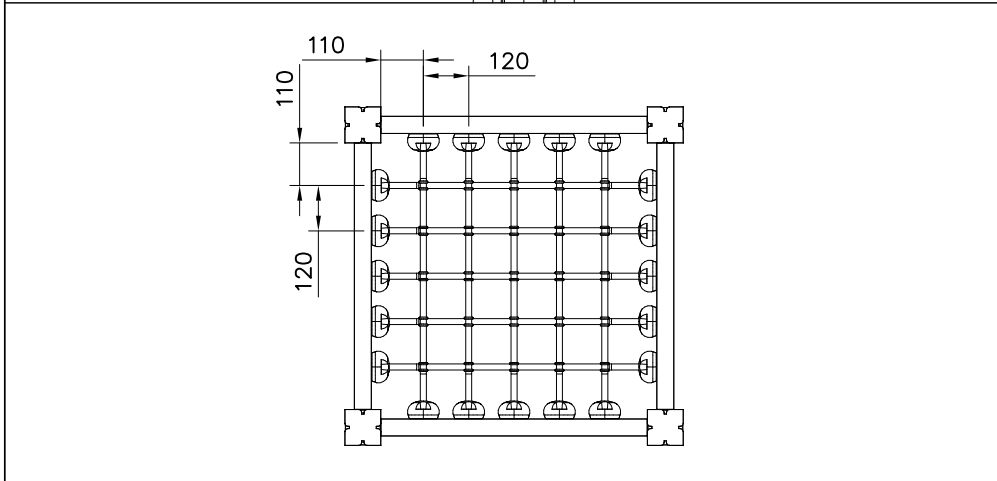




| | | | |
|---|-----|---|-----|
| ① 900240 | PCS | | PCS |
|  | 2 | | |
| Ø8x70 | | | |
| | PCS | | PCS |
| | | | |
| | PCS | | PCS |
| | | | |
| ○ 707302 | PCS | ○ 707303 | PCS |
|  | 1 |  | 1 |
| | | | |
| ○ 707304 | PCS | ○ 707305 | PCS |
|  | 1 |  | 1 |
| | | | |
| | PCS | | PCS |
| | | | |
| | PCS | | PCS |
| | | | |

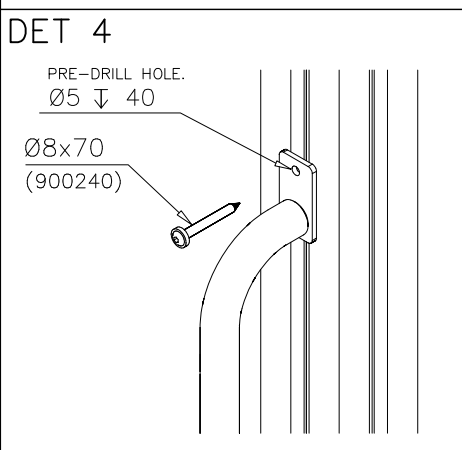
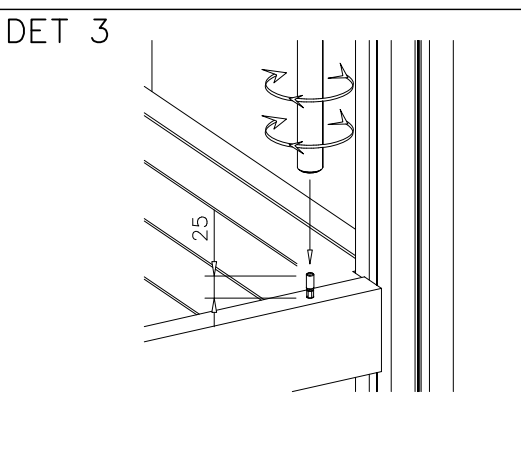
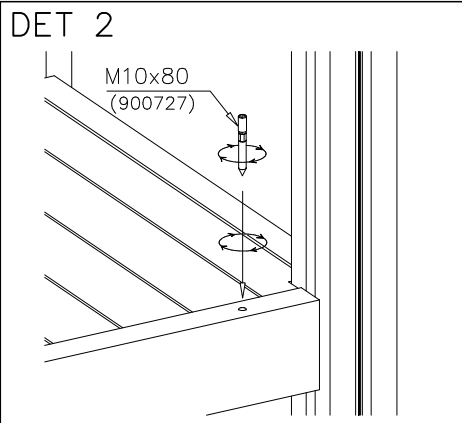
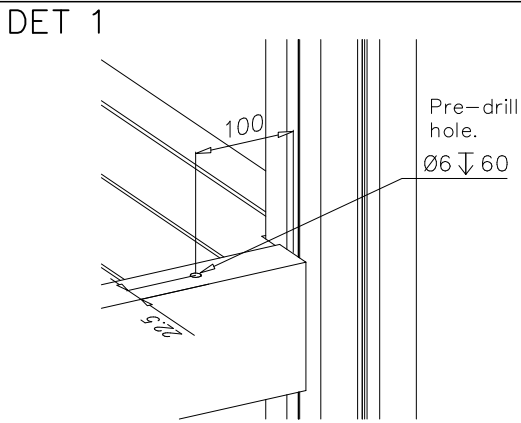


| | | | |
|---|-----|---|-----|
| ① 980123 | PCS | ② 909256 | PCS |
|  | 40 |  | 40 |
| Ø7x60 | | Ø16/8.4 | |
| | PCS | | PCS |
| | | ○ 707590 | PCS |
| | |  | |
| | | 755x755 | |
| | PCS | | PCS |
| | | | |
| | PCS | | PCS |
| | | | |





| | | | |
|---|-----|---|-----|
| ① 900240 | PCS | ② 900727 | PCS |
|  | 1 |  | 1 |
| Ø8x70 | | M10x80 | |
| | PCS | | PCS |
| | | | |
| | | | |
| ③ 907688 | PCS | ③ 907701 | PCS |
|  | 1 |  | 1 |
| 765 | | 545 | |
| | PCS | | PCS |
| | | | |
| | | | |
| | PCS | | PCS |
| | | | |
| | | | |
| | | | |
| | PCS | | PCS |
| | | | |
| | | | |
| | | | |
| | PCS | | PCS |
| | | | |
| | | | |



| | | | |
|-------------|-----|----------|-----|
| ① 903176 | PCS | ② 909850 | PCS |
| | 4 | | 4 |
| | | M8x25 | |
| ③ 909256 | PCS | ④ 909633 | PCS |
| | 8 | | 4 |
| Ø16/8.4x1.6 | | M8 | |
| ⑤ 980123 | PCS | | PCS |
| | 4 | | |
| Ø7x60 | | | |

***Note:**
No gaps between:
8–25mm
89–230mm

800

80

*Note

800

80

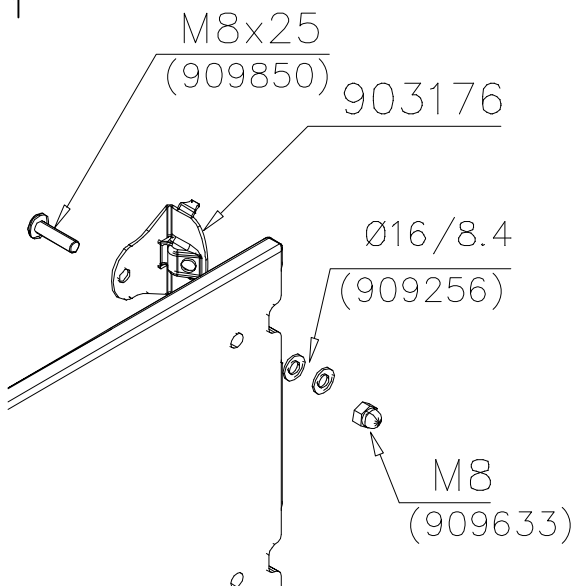
*Note

| COLOR OPTIONS | |
|---------------|------------|
| -701 | BLUE |
| -702 | YELLOW |
| -703 | LIME |
| -704 | DARK GRAY |
| -705 | LIGHT GRAY |
| -706 | RED |
| -707 | GREEN |
| -708 | FUXIA |

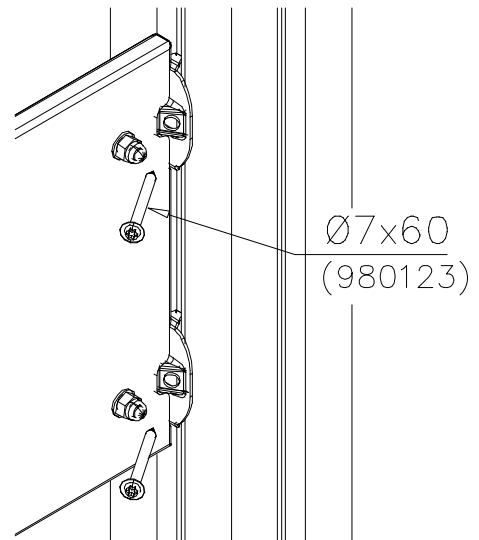
GAME WALL OPTIONS

| | | | |
|---|---|--|--|
| 706766 | 706772 | 706308 | 707453 |
|  |  |  |  |
| 640x702 | 640x702 | 640x702 | 640x702 |
| 707209 | 705705 | 707433 | 707386 |
|  |  |  |  |
| 640x702 | 640x702 | 640x702 | 640x702 |
| 709403 | 709358 | 709405 | |
|  |  |  | |
| 640x702 | 640x702 | 420x702 | |

DET 1



DET 2





Tuotekyltti tulee tuotteen mukana yhdellä seuraavista tavoista:

1) Metallinen tuotekyltti ja kiinnitysruuvit

- Kiinnitä tuotekyltti ruuveilla tolppaan noin 2 metrin korkeuteen kuvan 1 mukaisesti.

2) Tuotekylttitarra

- Puhdista maalattu metalli- tai vaneripinta pölystä ja kosteudesta. Liimaa tarra kuvan 2 mukaisesti.
- Huom. Älä kiinnitä tarraa karheapintaiseen laminaattiin tai maalattuun puuhun.

Vår produktmärkning levereras på ett av följande sätt:

1) Produktskylt i metall

- Fäst skylten med de medföljande skruvarna

2) Självhäftande produktetikett

- Rengör den pulverlackerade metallytan eller laminatyten så att den blir fri från smuts och fukt. Fäst etiketten enligt fig. 2.
- Obs! Fäst ej etiketten på detaljer med skrovlig yta eller på målat trä.

Product label is delivered by one of following ways:

1) Metal product label and screws

- Fasten the label with screws.

2) Label sticker

- Clean the painted metal or plywood surface from dirt and moisture. Fasten the sticker as shown in the figure 2.
- Note. Do not attach the sticker to rough surfaced laminate or painted wood.

La plaque d'informations produit est livrée sous l'une de ces 3 formes :

1) Plaque métallique et vis

- Fixez la plaque à l'aide des vis.

2) Etiquette autocollante

- Avant de coller l'étiquette, nettoyez le composant métallique peint ou la plaque de contreplaqué, de toute saleté. La surface doit être sèche (voir image 2).
- Attention, ne pas coller l'étiquette sur une surface lamellé-collée irrégulière ou sur du bois peint.

Die Auslieferung des Produktaufklebers erfolgt auf eine dieser Arten:

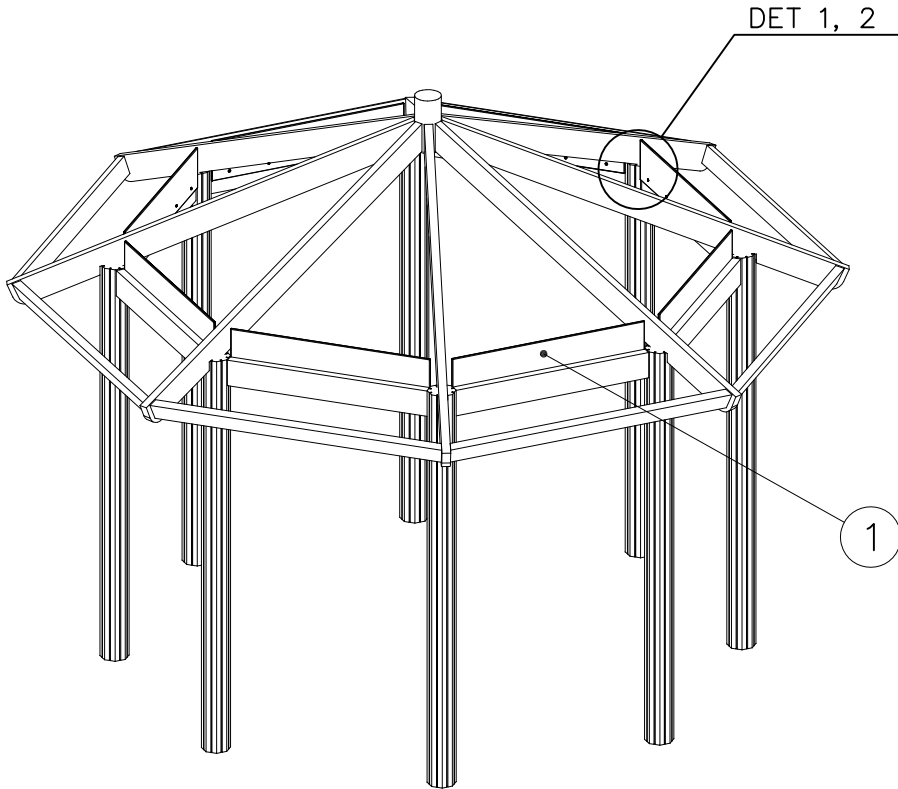
1) Produkt-Schild aus Metall incl. Schrauben



- Die Befestigung des Schildes erfolgt mittels der Schrauben.

2) Aufkleber

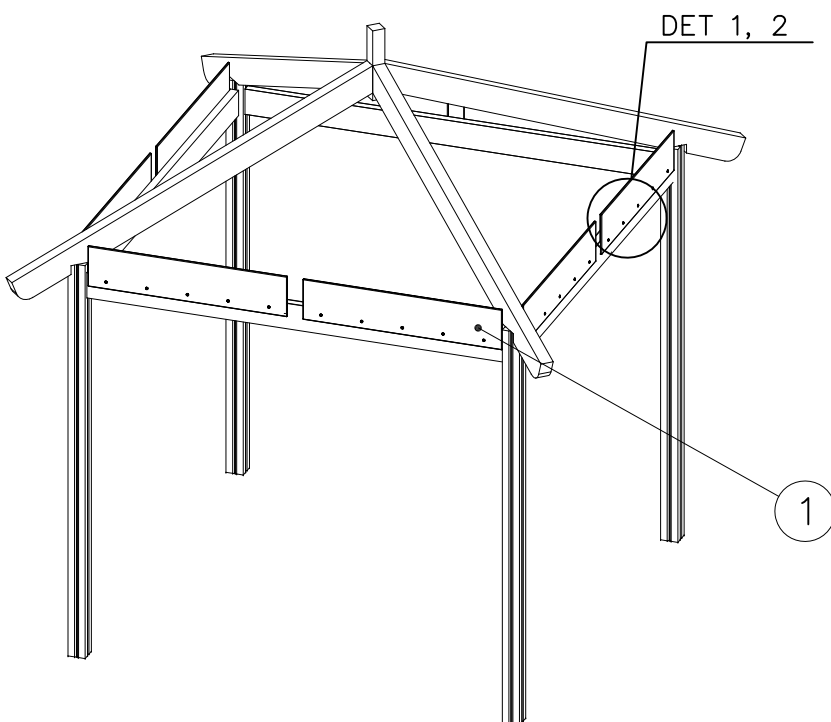
- Entfernen Sie zunächst Schmutz und Feuchtigkeit vom lackierten Metall bzw. von der Holzoberfläche und bringen Sie den Aufkleber wie im Bild oben rechts beschrieben auf den gesäuberten Untergrund auf.
- Beachten Sie: Bringen Sie den Aufkleber nicht auf raues laminiertes oder lackiertes Holz an.

070206 system

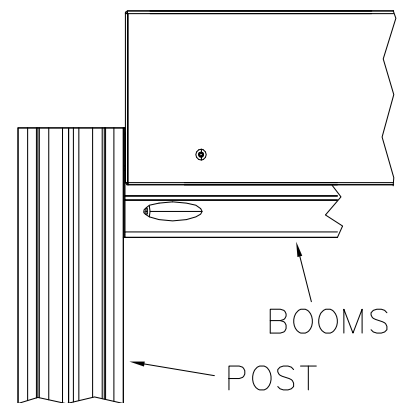


| | | | |
|---|-----|---|-----|
| ① 703718 | PCS | ② 980128 | PCS |
|  | 8 |  | 40 |
| 230x1100 | | Ø7x40 | |
| | PCS | | PCS |
| | | | |
| | PCS | | PCS |
| | | | |
| | PCS | | PCS |
| | | | |

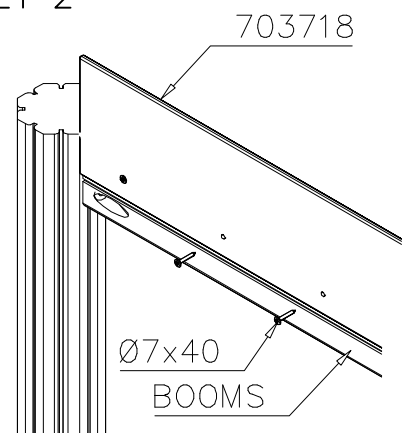
000477 system

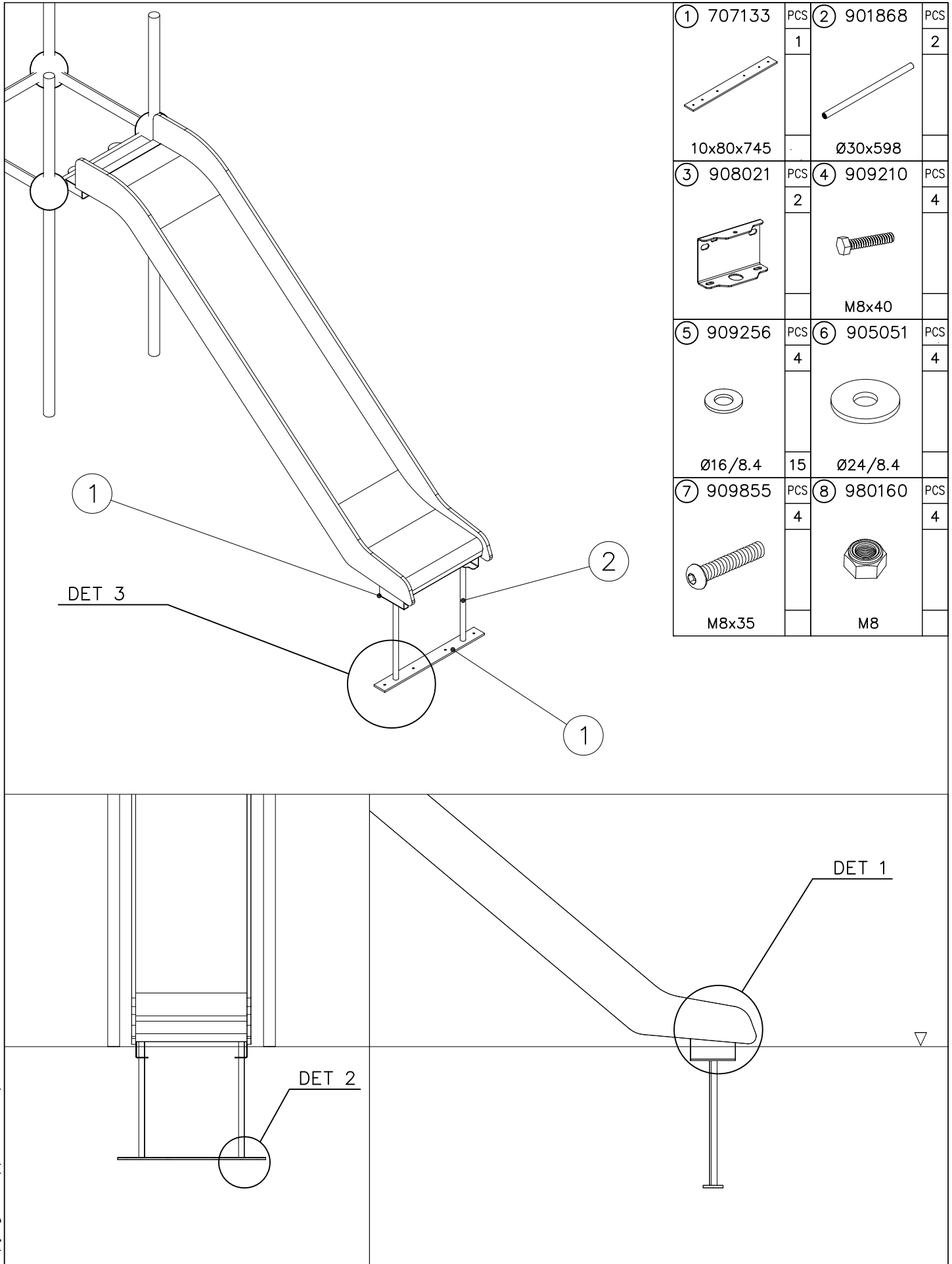


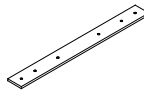
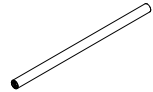
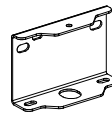



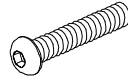
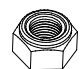
DET 1



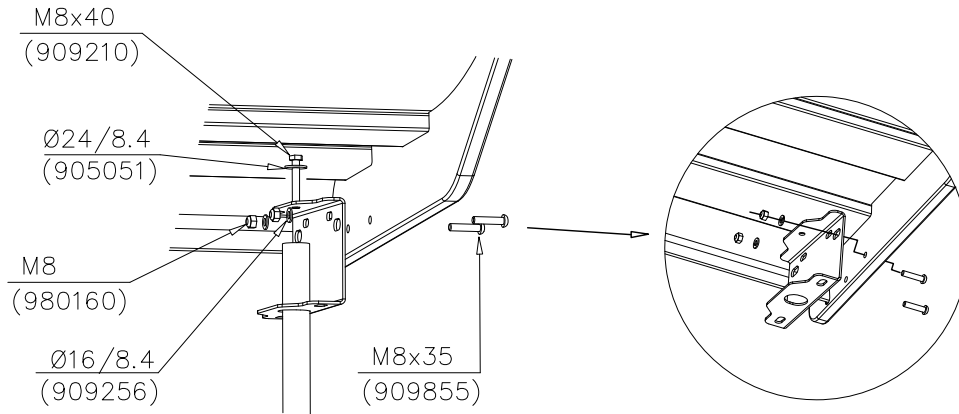
DET 2



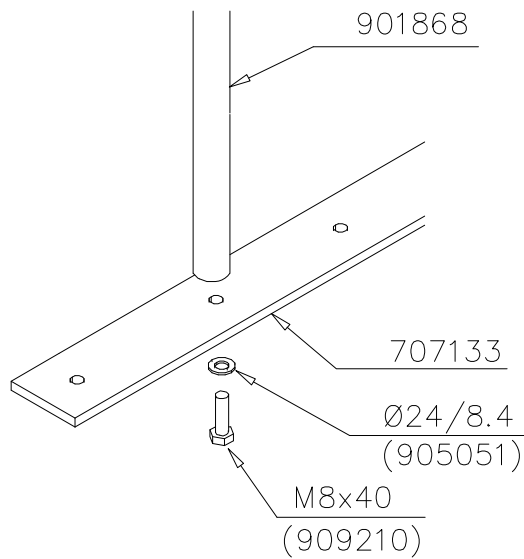


| | | | |
|--|----------|--|----------|
| ① 707133  10x80x745 | PCS 1 | ② 901868  Ø30x598 | PCS 2 |
| ③ 908021  | PCS 2 | ④ 909210  M8x40 | PCS 4 |
| ⑤ 909256  Ø16/8.4 | PCS 4 | ⑥ 905051  Ø24/8.4 | PCS 4 |
| ⑦ 909855  M8x35 | PCS 4 | ⑧ 980160  M8 | PCS 4 |

DET 1



DET 2



DET 3

