

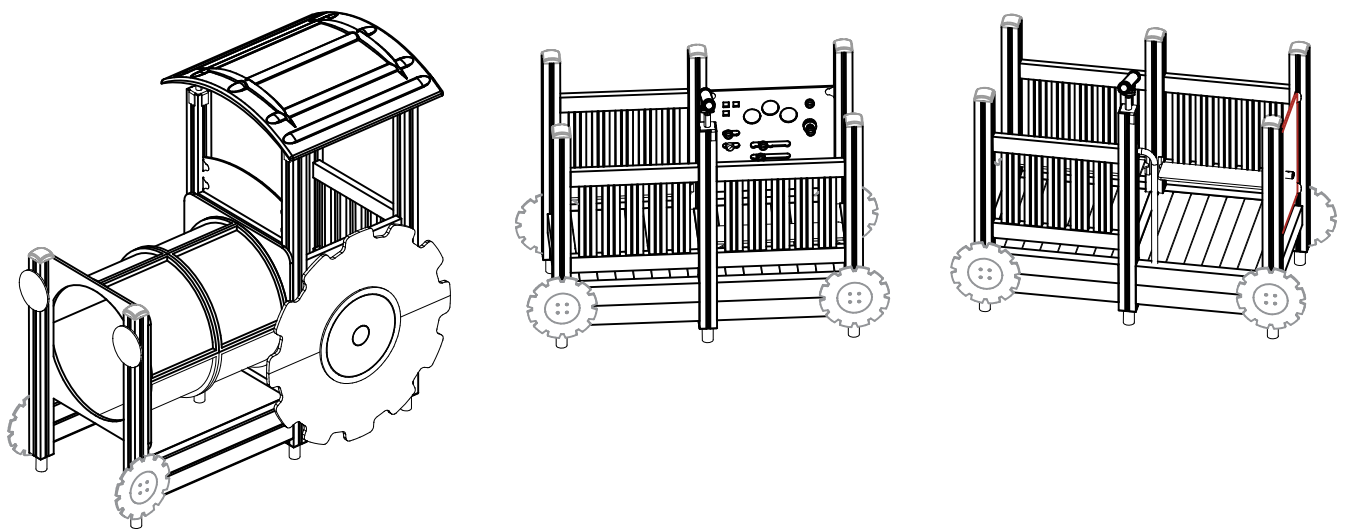
LAPPSET®

THEME


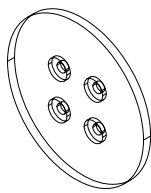

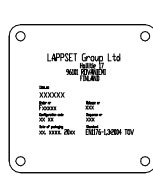
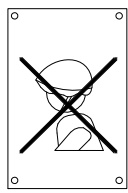
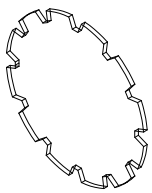
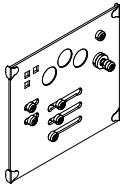
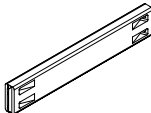
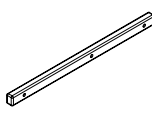

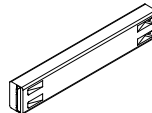

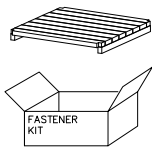
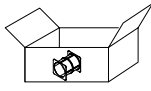
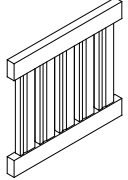

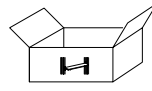
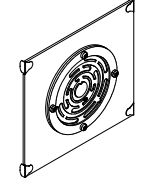
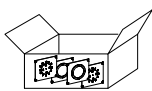
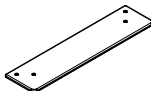
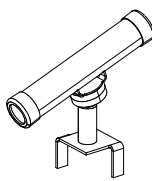
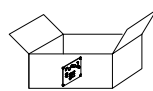
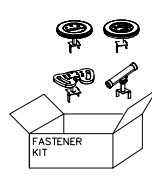
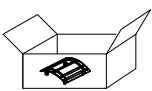
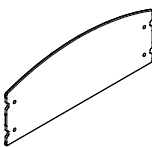
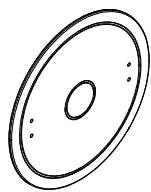
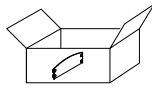
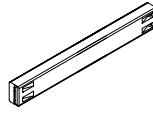
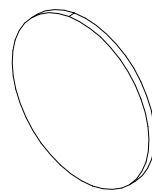
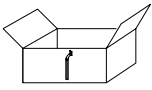
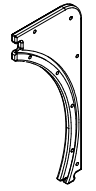
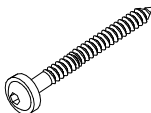
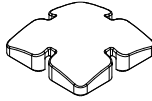
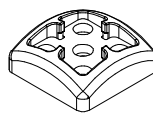
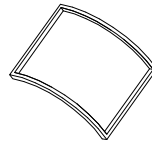
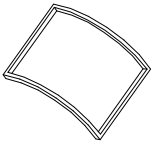
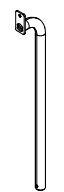
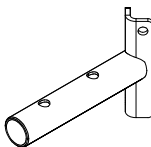
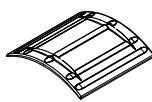
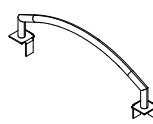
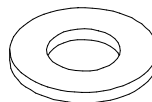
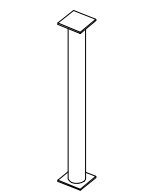
ASENNUSOHJE
MONTERINGSANSVISNING
INSTALLATION INSTRUCTION
AUFBAUANLEITUNG
NOTICE D'INSTALLATION

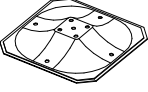
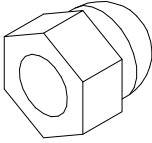
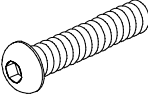
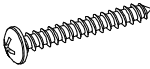
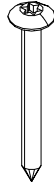
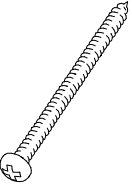
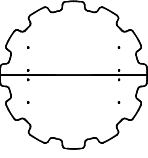
DATE: 11.3.2021

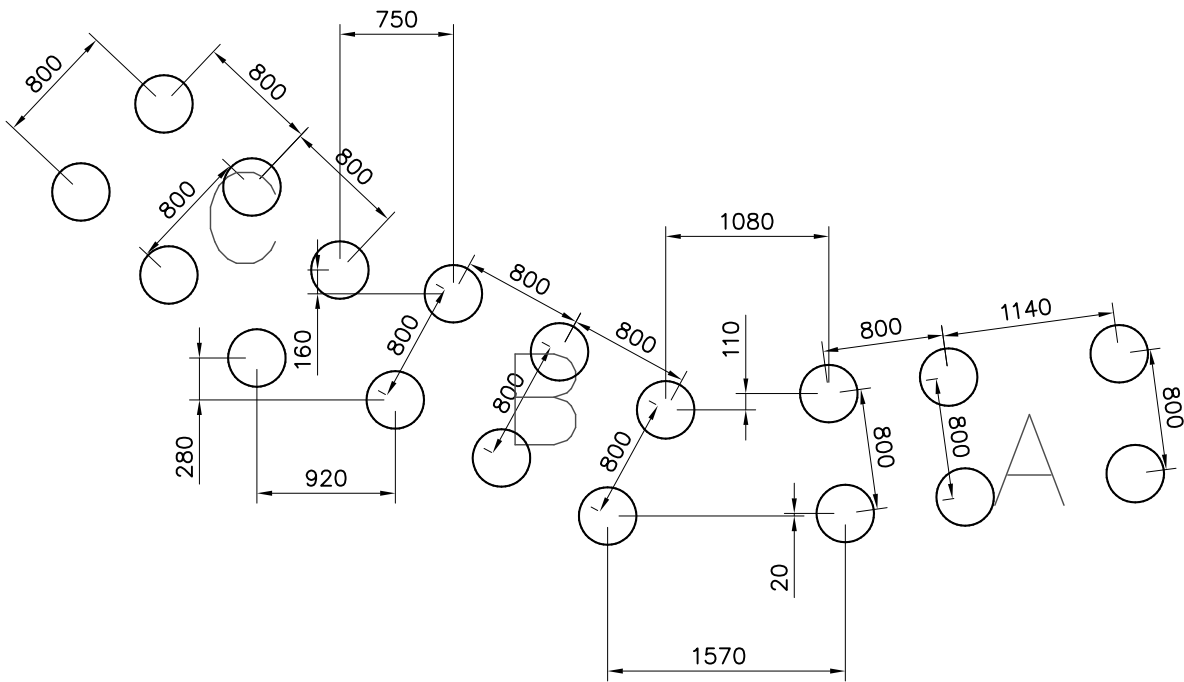
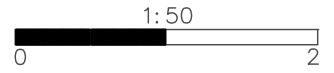
Q14640

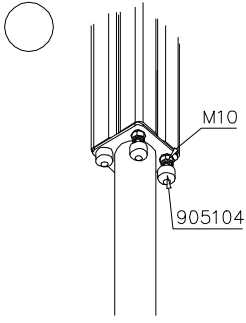
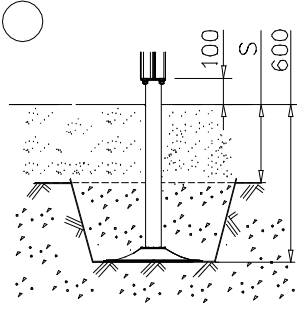


DATE: 31.3.2020

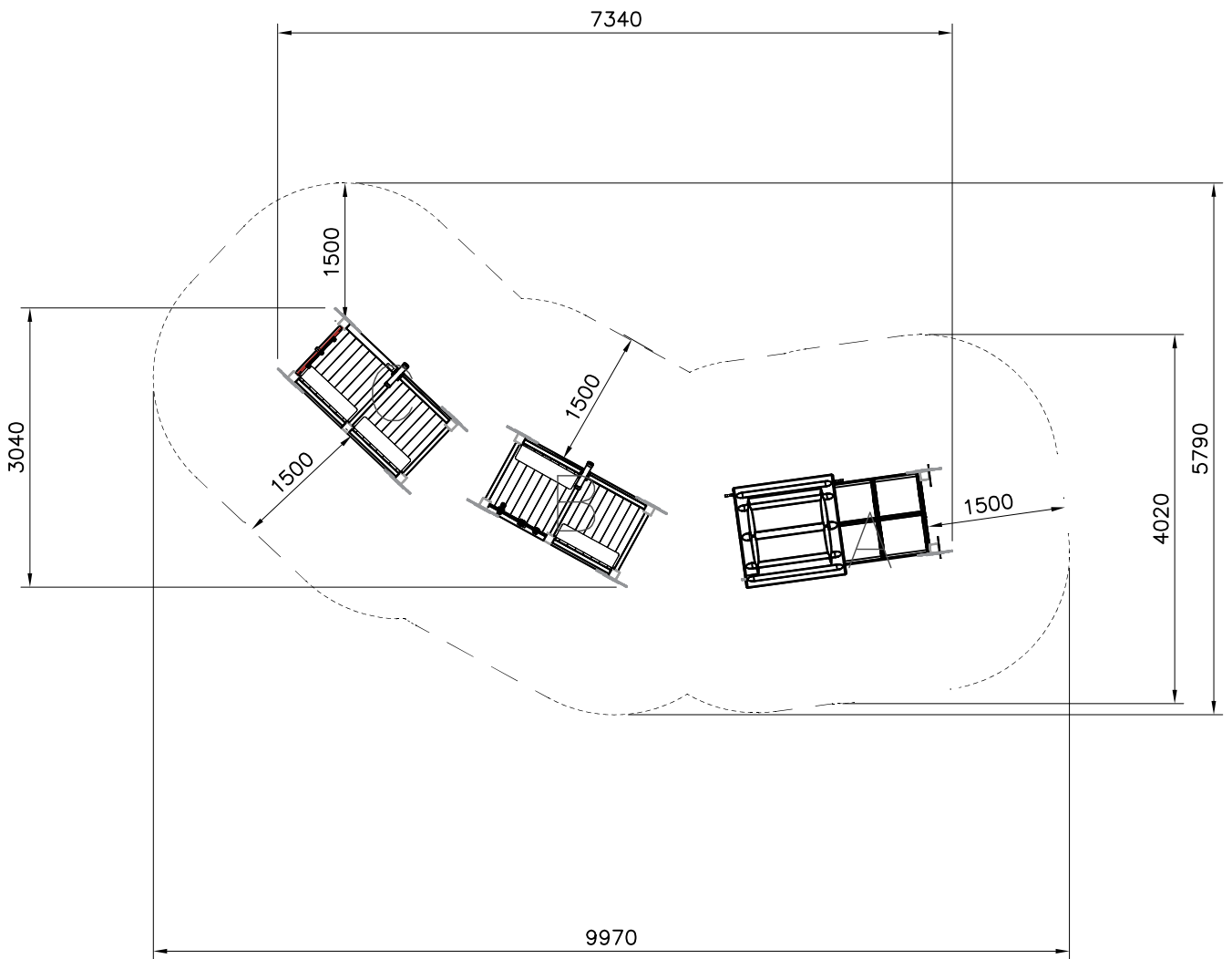
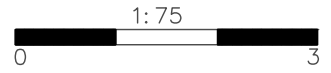
008986  750x750	PCS 5	701178  Ø190x10	PCS 11	701401-603  L 1250	PCS 14	702286  65x65	PCS 1	702339  118x78	PCS 1	704016  Ø380x10	PCS 11
705705-706  10x640x702	PCS 1	706439-603  L 704	PCS 7	706443  32x45x702	PCS 10	706511-603  93x93x1870	PCS 4	706512-603  70x120x704	PCS 22	706531  Ø380x10	PCS 18
706535  FASTENER KIT	PCS 5	706539 	PCS 1	706746-607  45x640x701	PCS 8	706748  93x93x1870	PCS 8	706753 	PCS 4	706766-706  Ø380x10	PCS 1
706778  FASTENER KIT	PCS 1	706783  15x170x700	PCS 4	707304 	PCS 2	707449 	PCS 1	707585  FASTENER KIT	PCS 2	707623 	PCS 1
707647  8x280x700	PCS 1	707648  Ø570x10	PCS 1	707651 	PCS 1	707659-603  70x120x1062	PCS 4	707709-702  Ø240x10	PCS 2	707732 	PCS 2
707918-706  20x275x640	PCS 8	903093  Ø8x90	PCS 132	905138  GRAY	PCS 12	905196  GRAY	PCS 12	905821  GREY	PCS 4	905829  STRAIGHT CLE	PCS 4
907688-216 	PCS 2	907783-216 	PCS 8	908251  1100x1100x215	PCS 1	908330-216 	PCS 2	909256  Ø16/8.4x1.6	PCS 8	909511  90x90x650	PCS 18

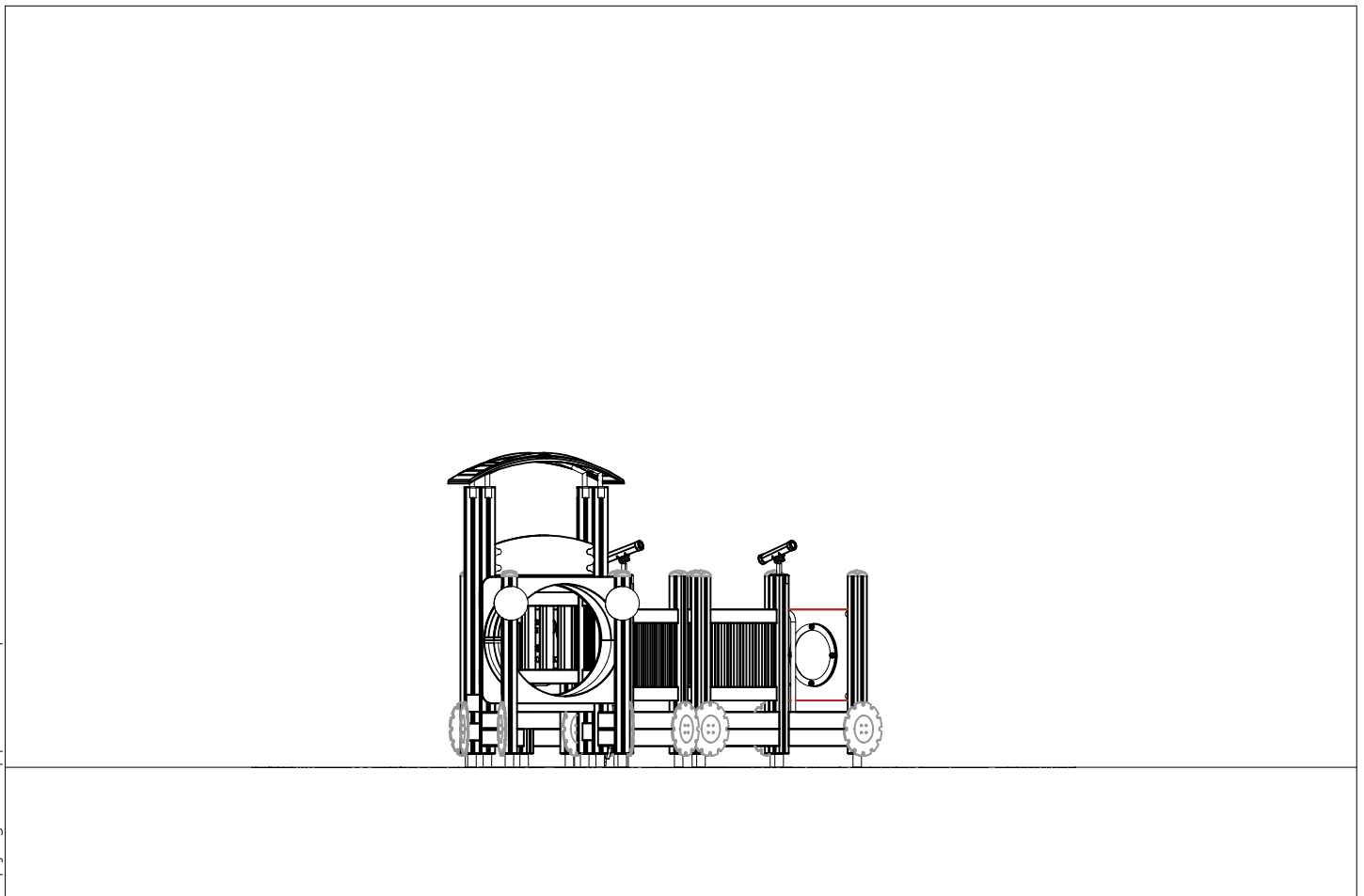
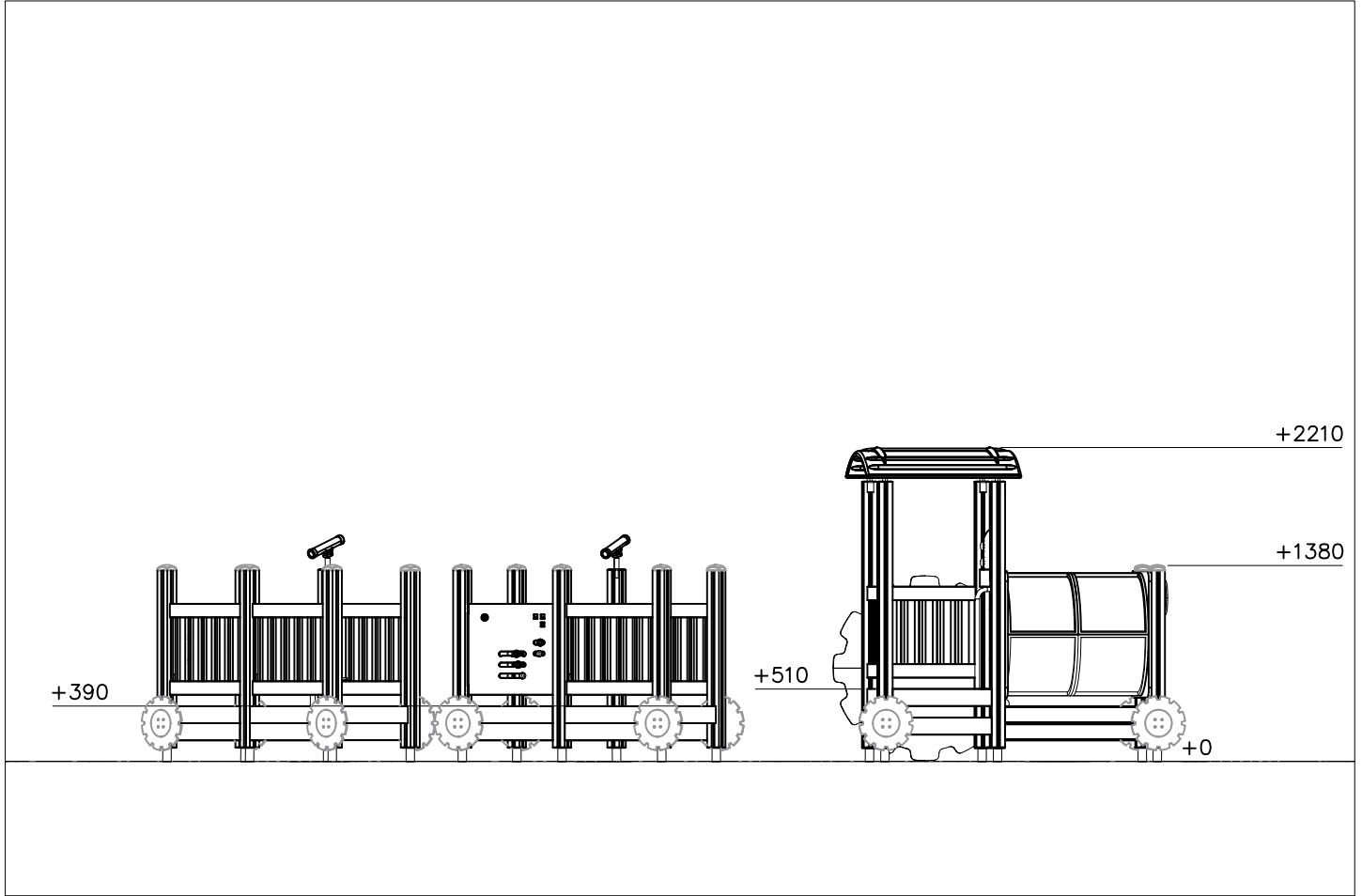
909519  50x380x380	PCS 18	909633  M8	PCS 4	909873  M8x40	PCS 4	980114  Ø4x20	PCS 8	980128  Ø7x40	PCS 57	980131  Ø6x60	PCS 48
P14469 	PCS 1		PCS		PCS		PCS		PCS		PCS
	PCS		PCS		PCS		PCS		PCS		PCS
	PCS		PCS		PCS		PCS		PCS		PCS
	PCS		PCS		PCS		PCS		PCS		PCS
	PCS		PCS		PCS		PCS		PCS		PCS
	PCS		PCS		PCS		PCS		PCS		PCS

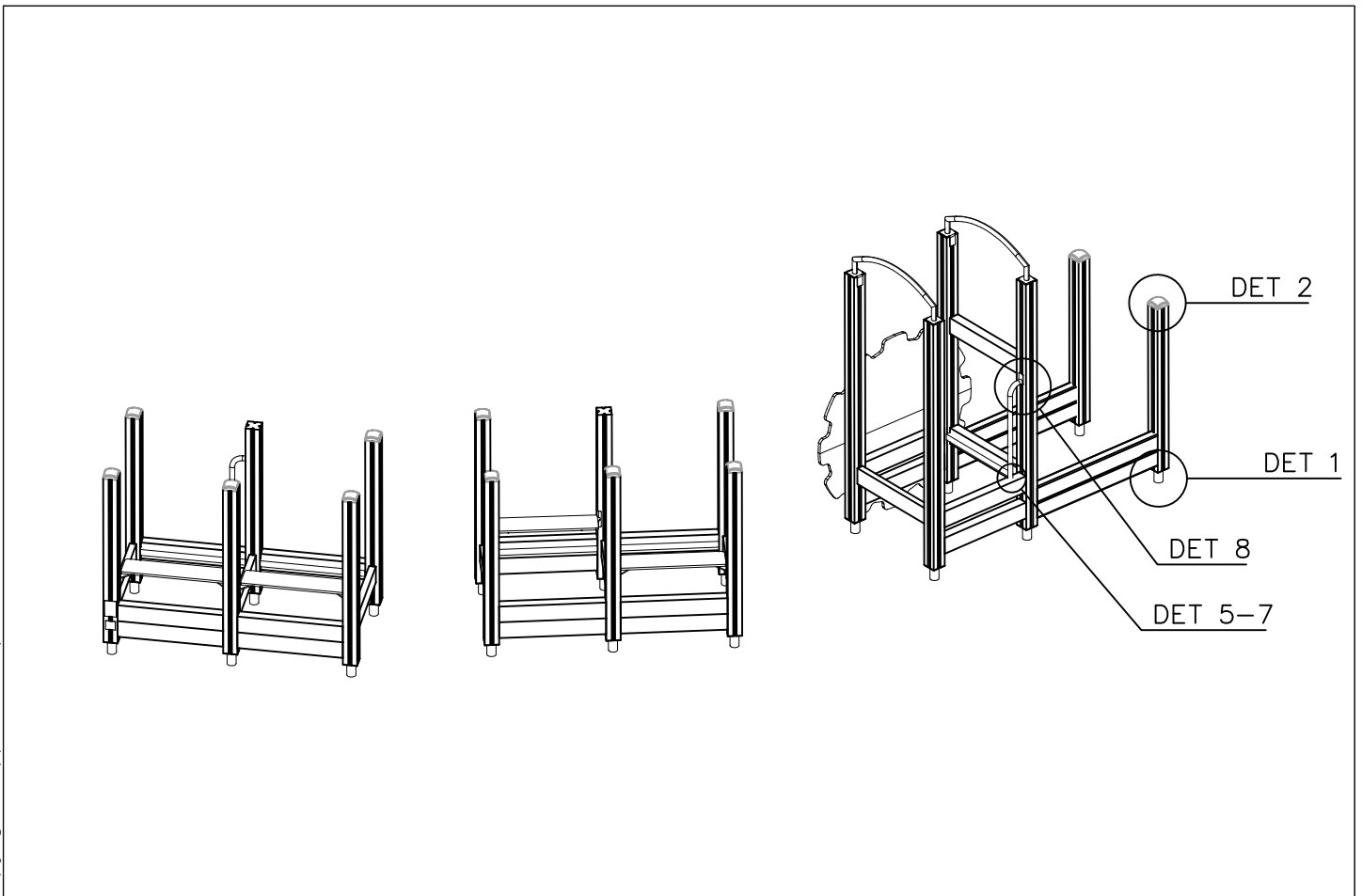
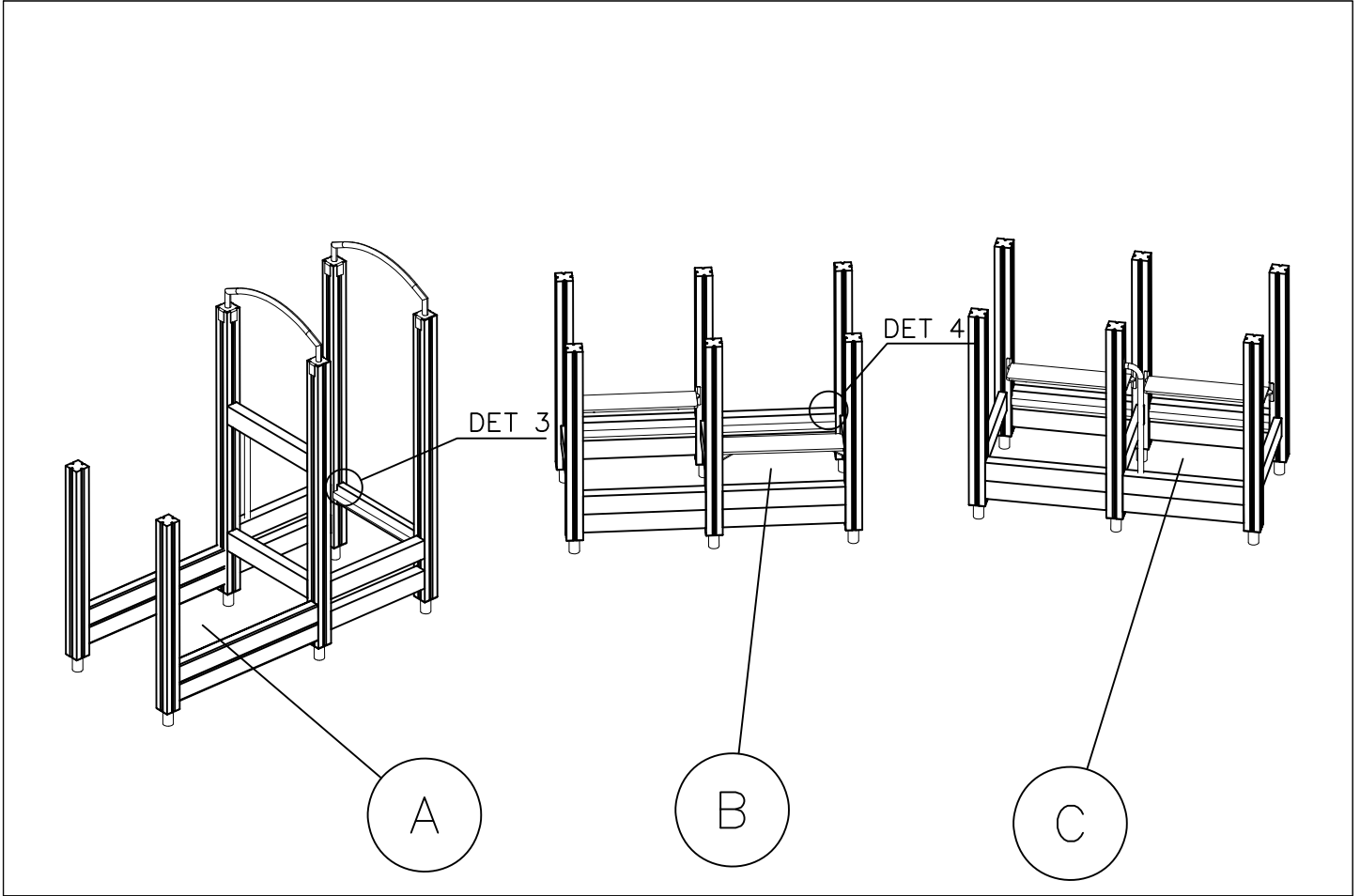


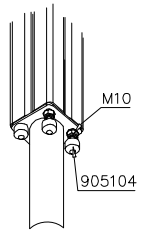
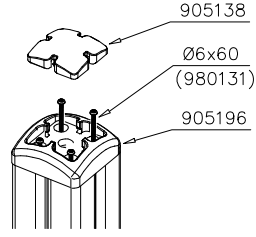
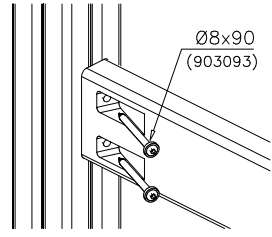
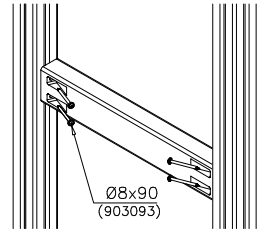
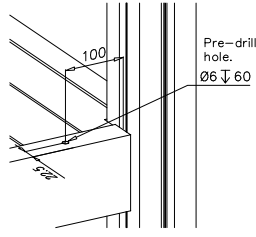
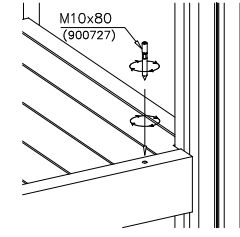
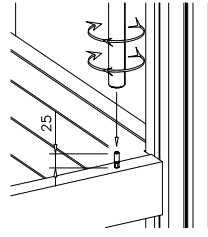
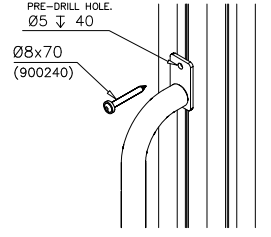
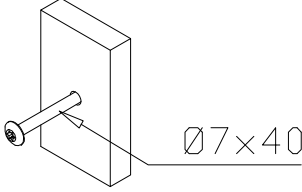
		

----- Falling Space 37.5 m²
Max Falling Height 590 mm

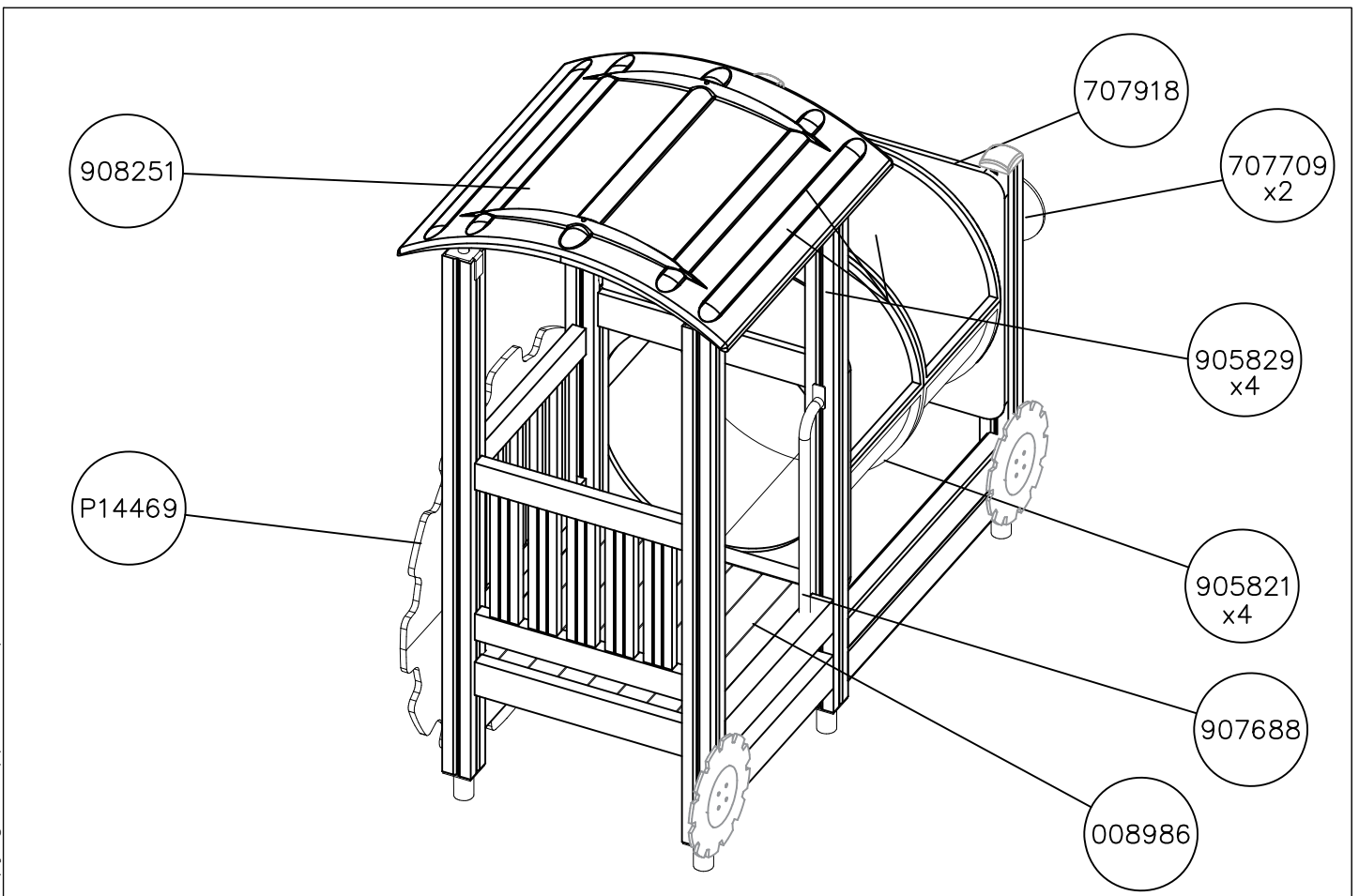
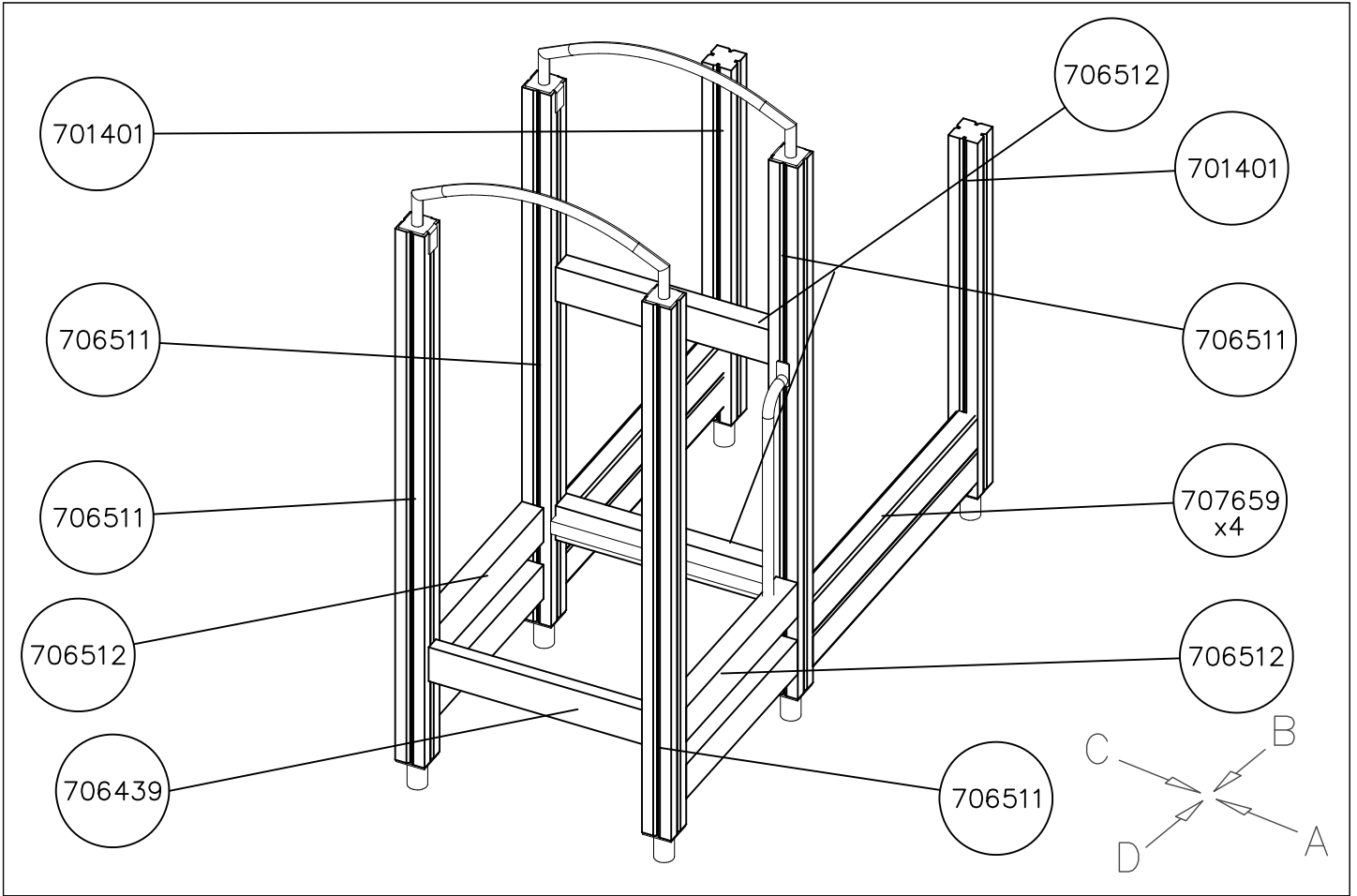






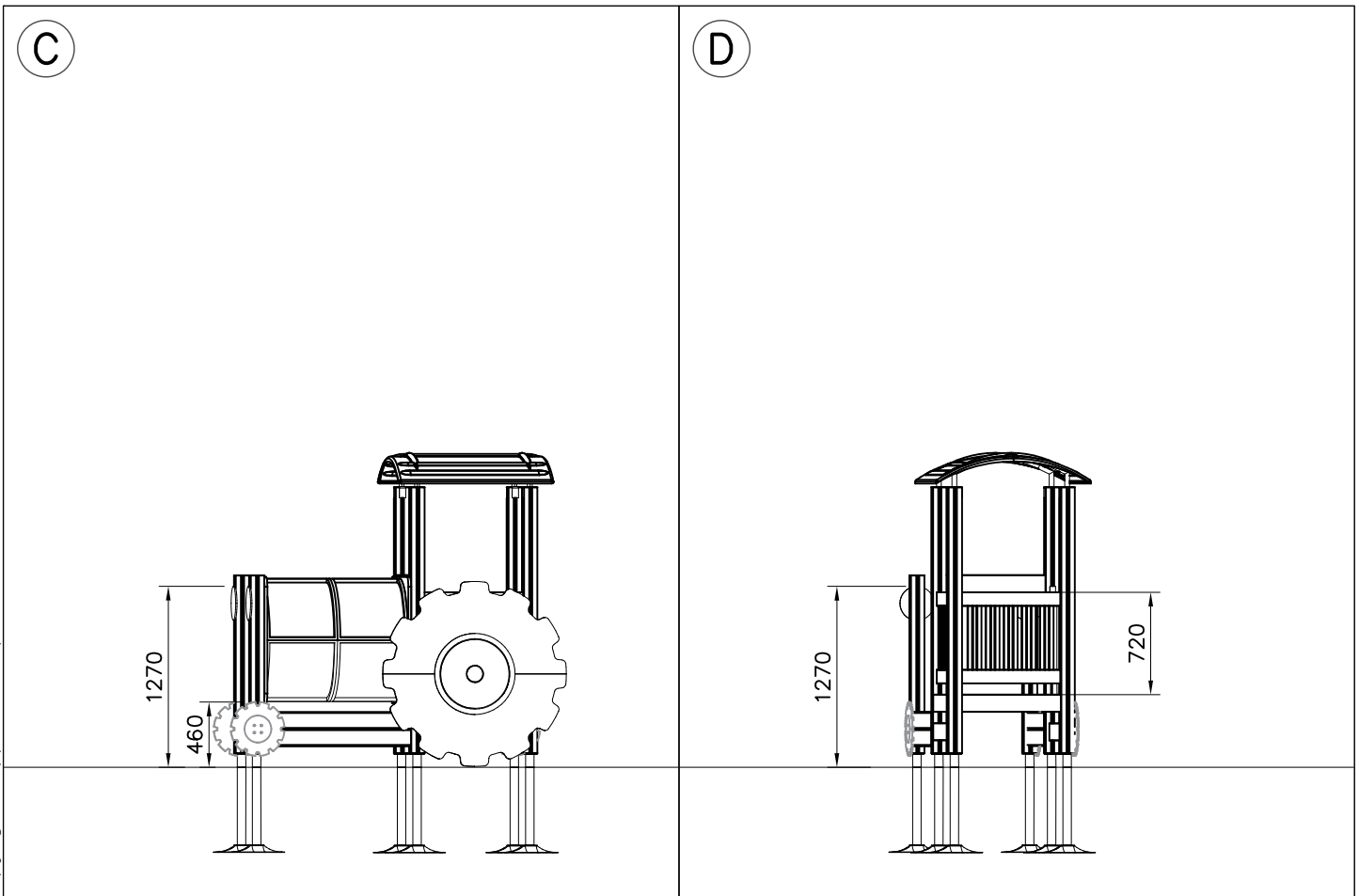
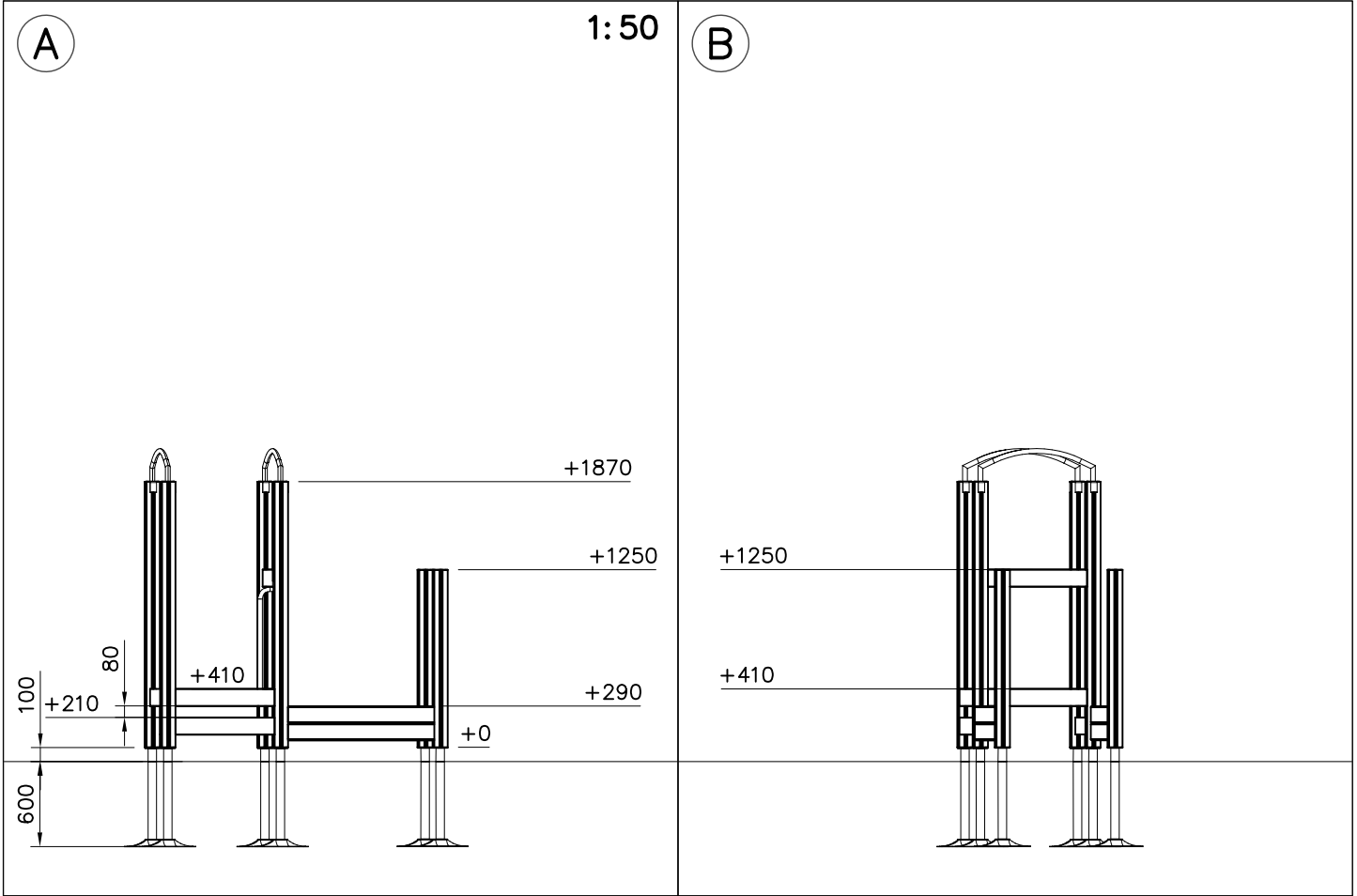
<p>DET 1</p> 	<p>DET 2</p> 	<p>DET 3</p> 	<p>DET 4</p> 
<p>DET 5</p> 	<p>DET 6</p> 	<p>DET 7</p> 	<p>DET 8</p> 
<p>DET 9</p> 			

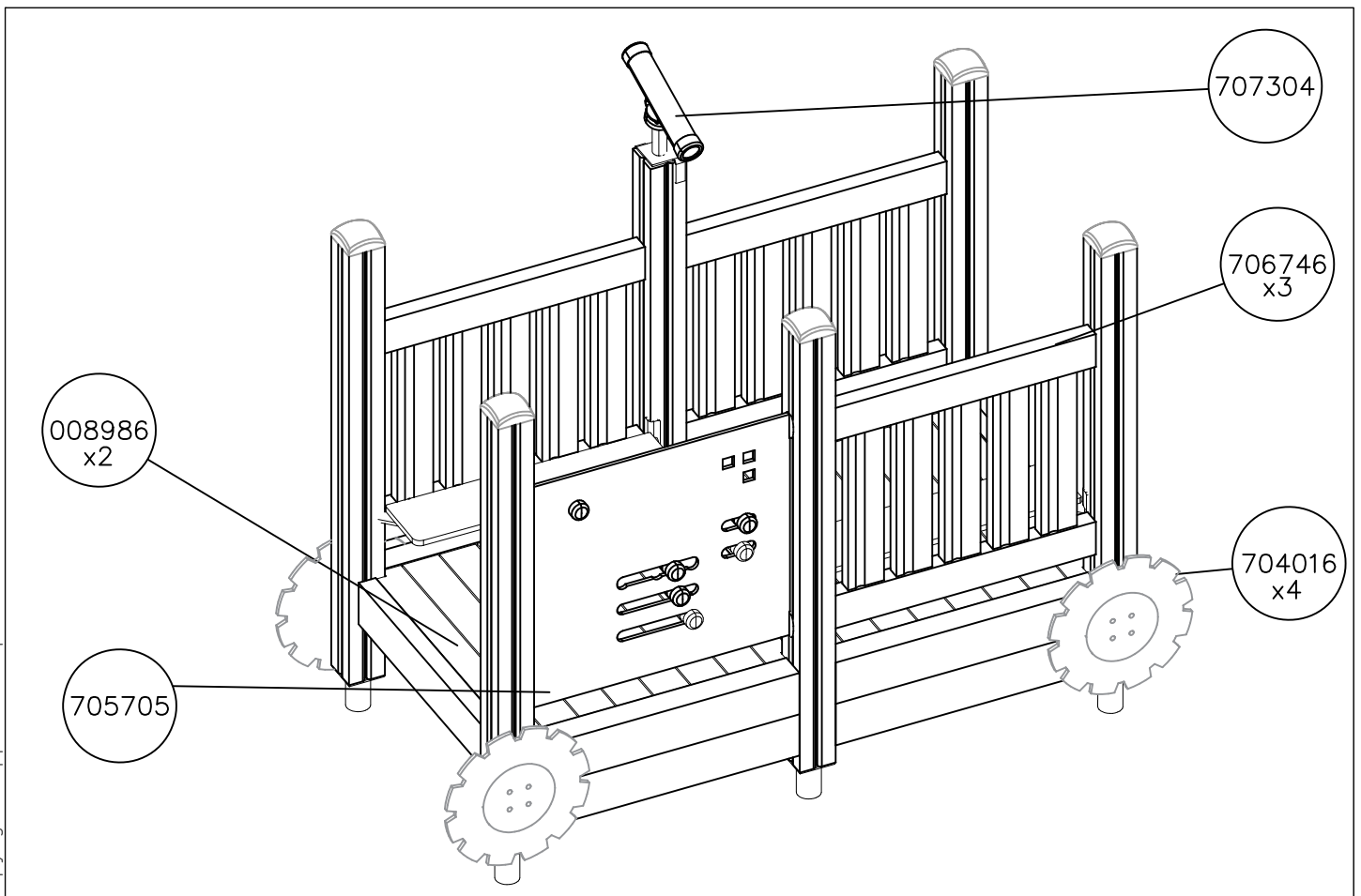
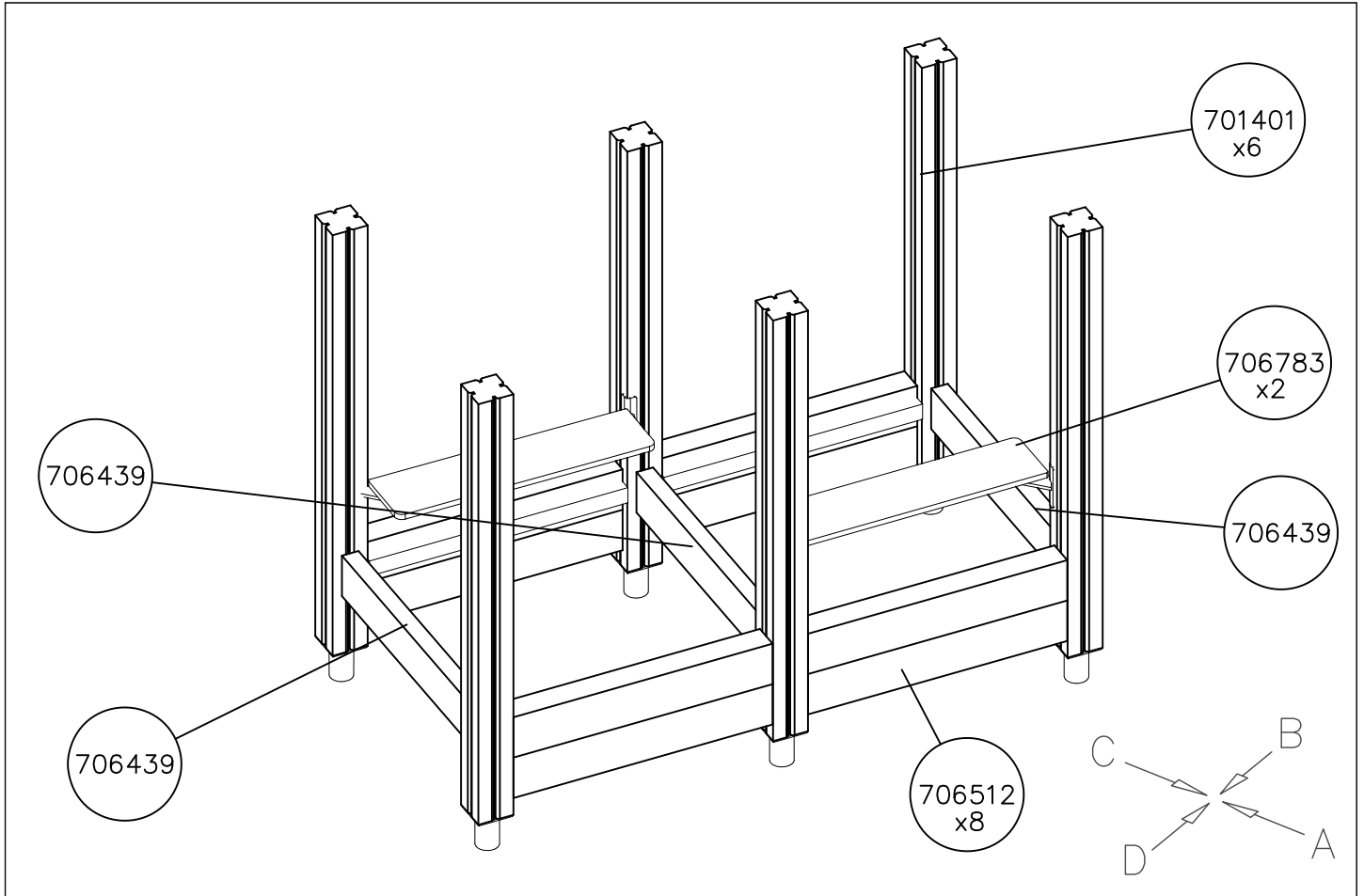
DATE: 11.3.2021



DATE: 11.3.2021

1:50



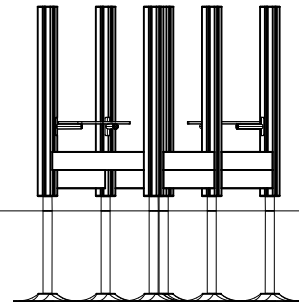
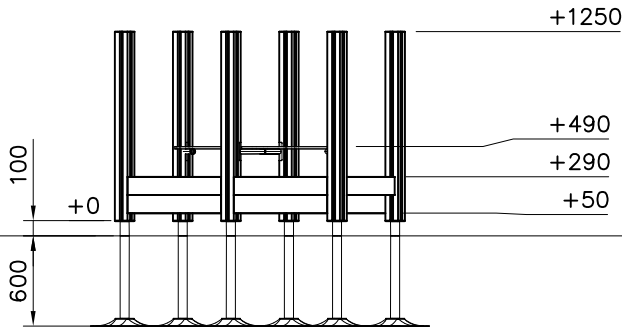


DATE: 11.3.2021

A

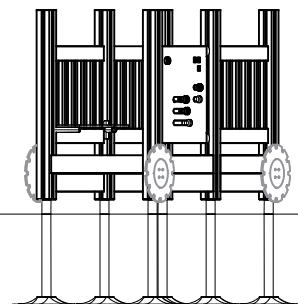
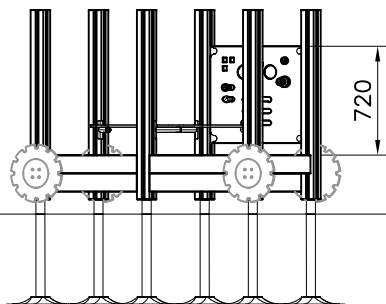
1:50

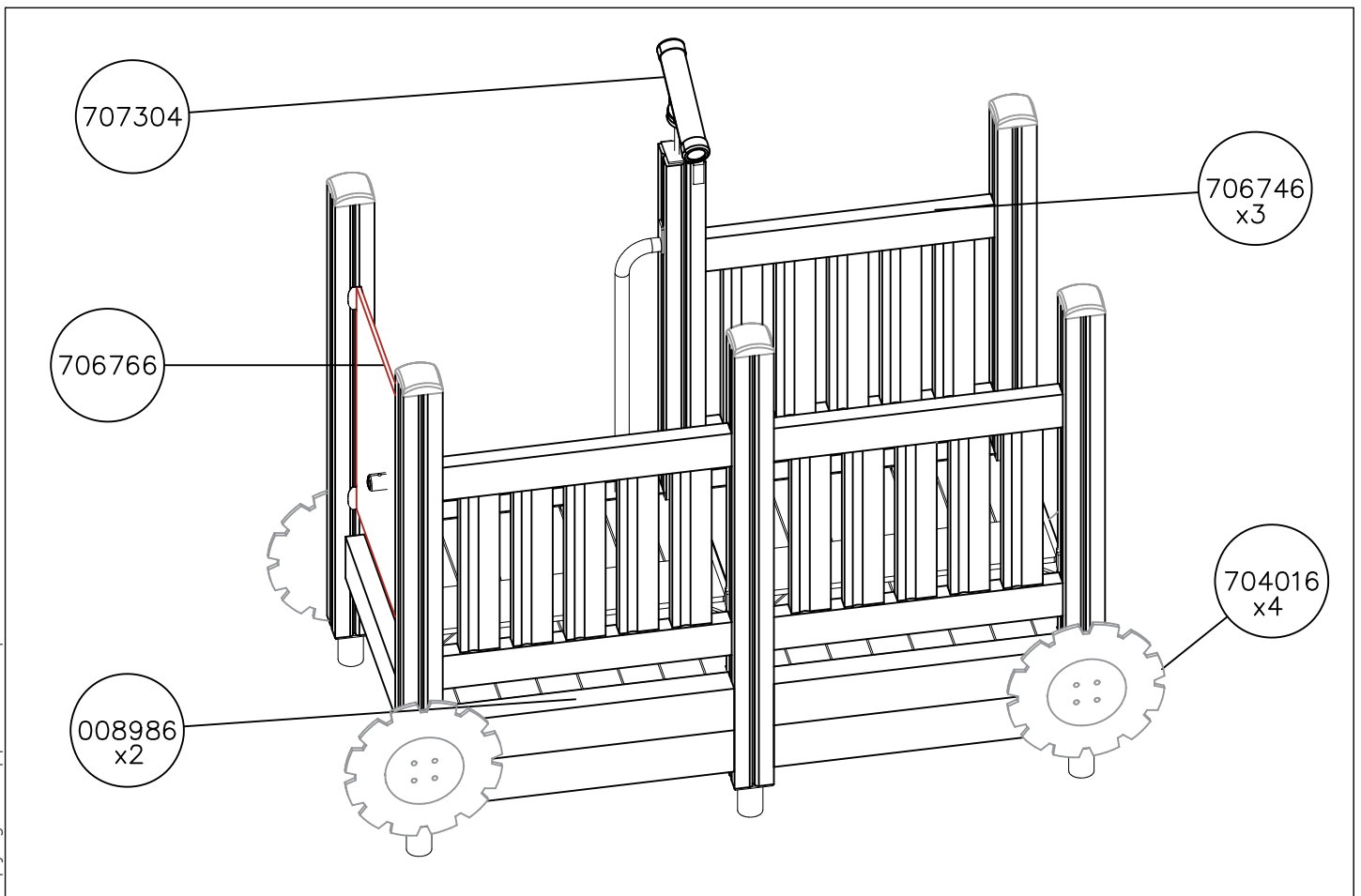
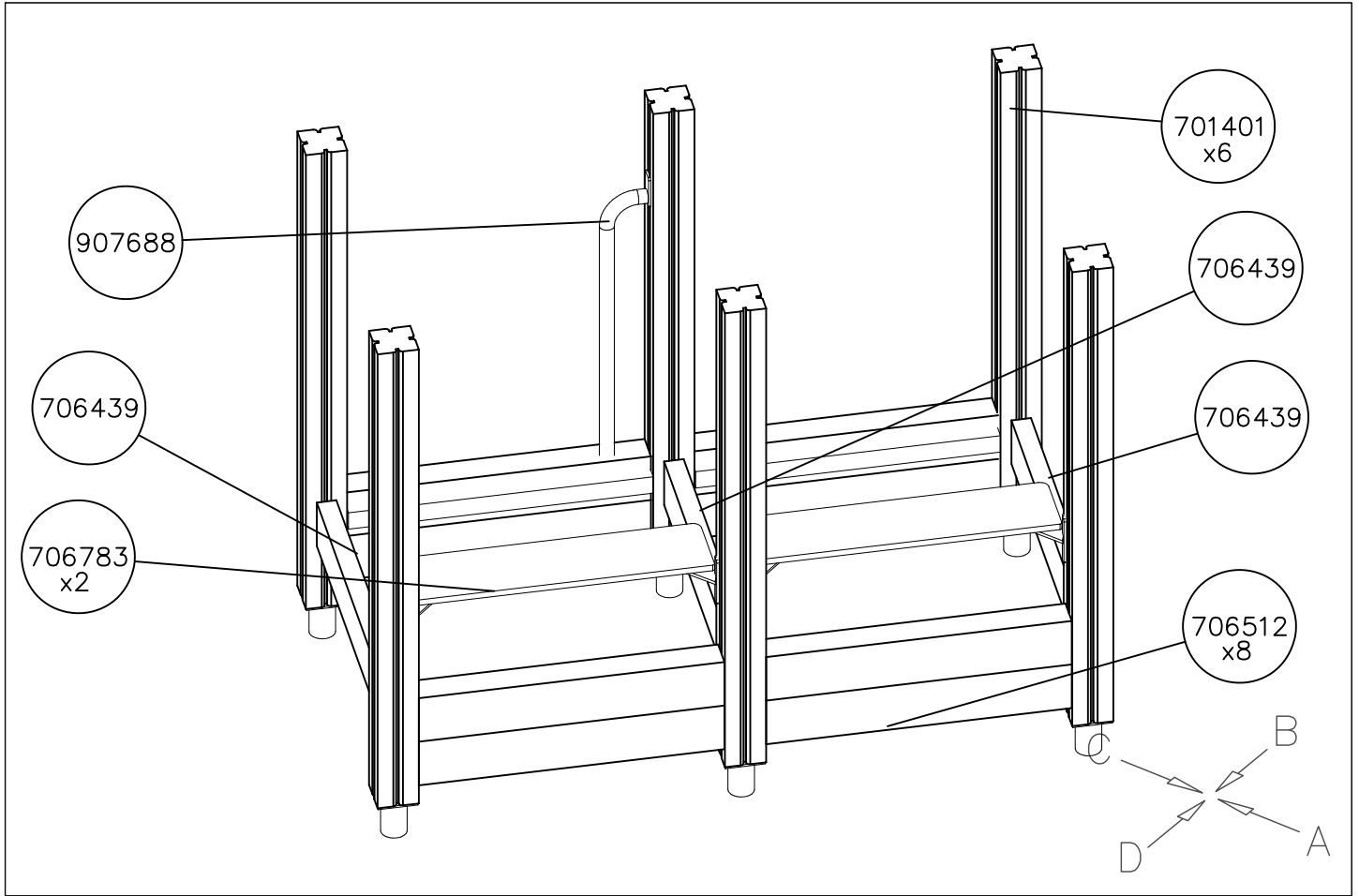
B



C

D



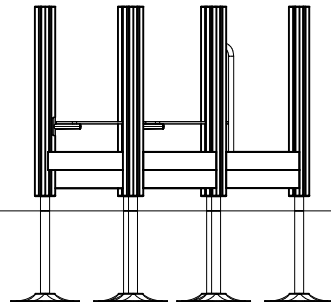
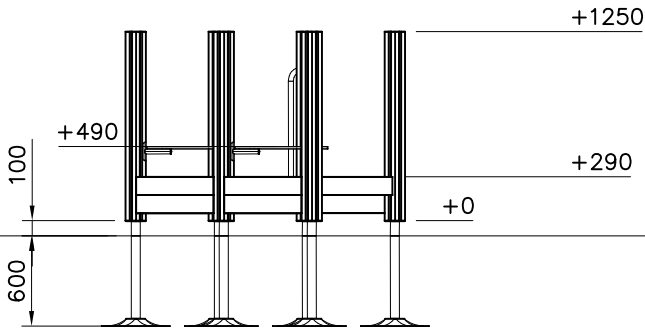


DATE: 11.3.2021

1:50

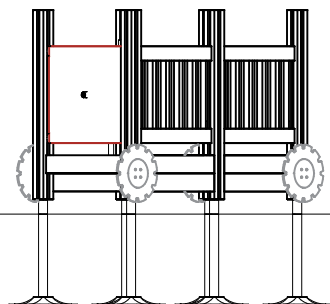
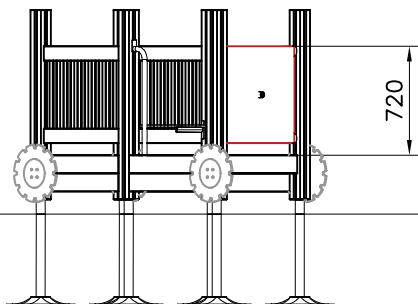
A

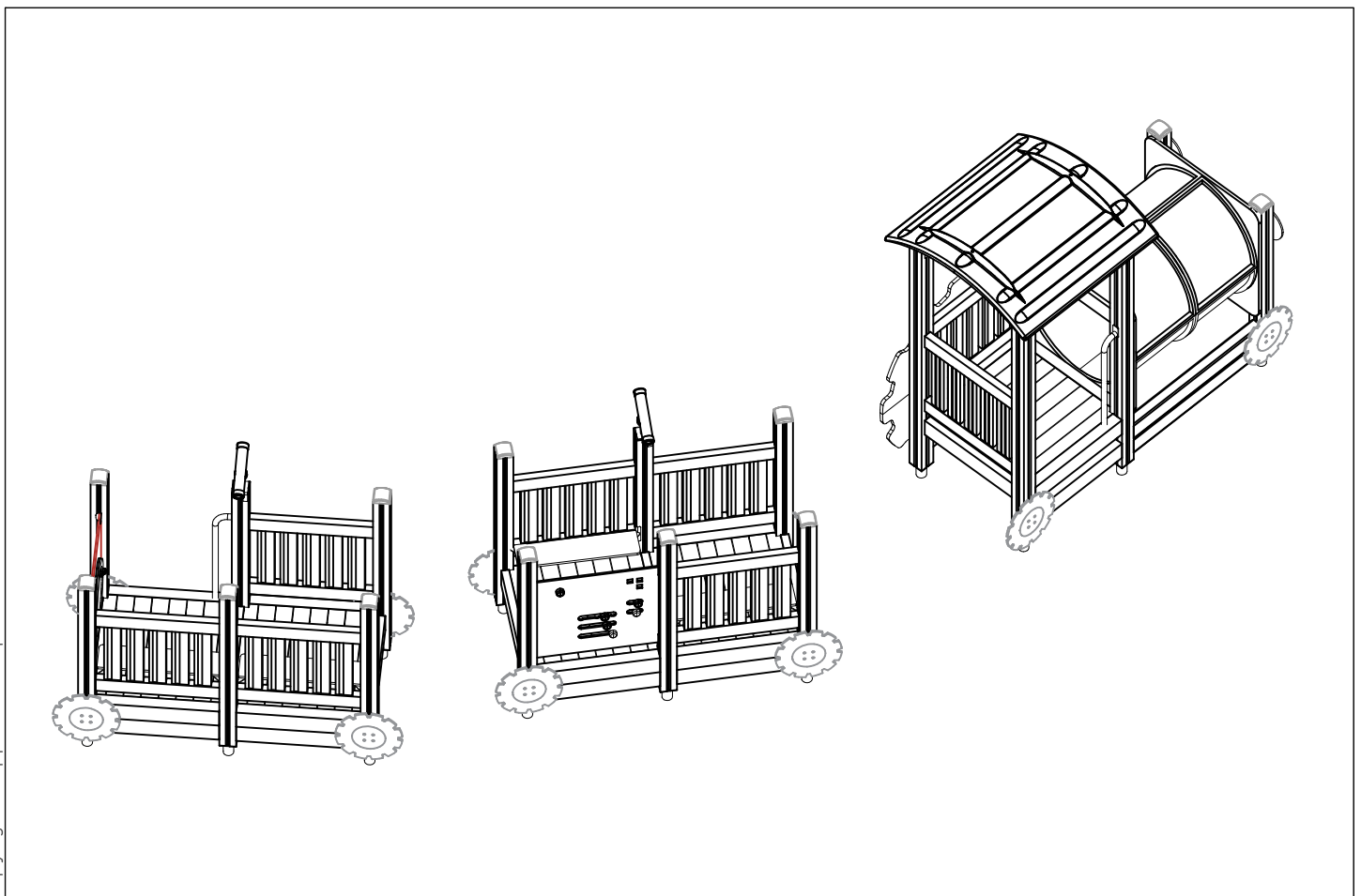
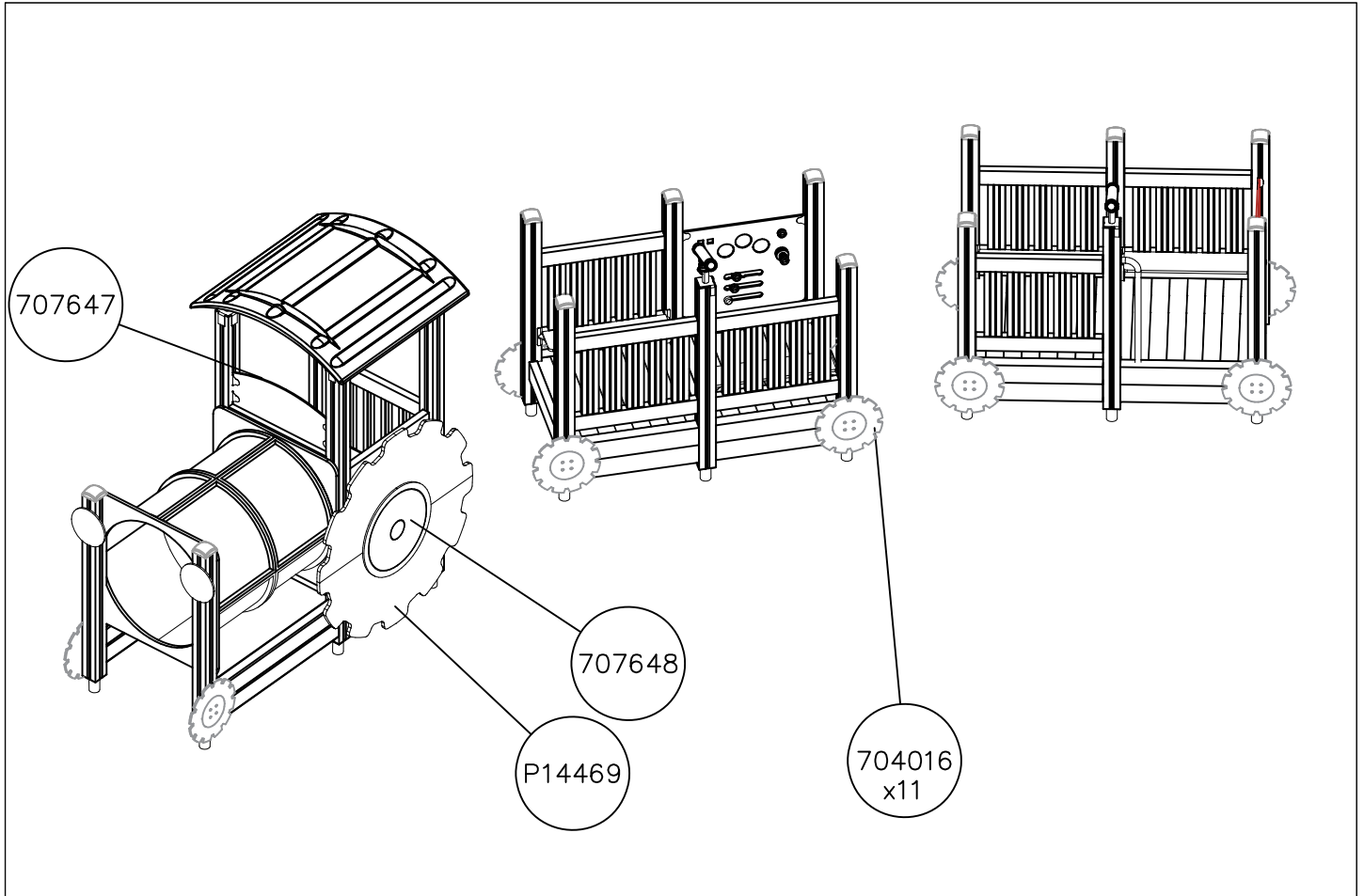
B



C

D





												
<p>$h < 600$</p> <p>Without movement and therefore without Impact Area</p>	<p>Totally hard surfaces.</p> <p>Note. Lappset does <u>not recommend</u> totally hard surfaces at all.</p>	<p>E.g. concrete or asphalt</p> 										
<p>$h < 600$</p> <p>With movement e.g. rocking</p>	<p>Materials with very limited impact attenuating properties.</p>	<p>E.g. wood</p> 										
<p>$h < 1000$</p>	<p>Materials with significant impact attenuating properties.</p>	<p>fine gravel 0–8 mm</p>  <p>grass</p>  <p>unsorted sand</p> 										
<p>$h < 3000$</p>	<p>Loose fill material</p> <p>E.g. sand/gravel 0,25...8 mm D60/D10<3,0 Woodchips 5...30 mm bark 20...80 mm</p>	 <table data-bbox="1021 1691 1332 1792"> <tr> <td>\underline{S}</td> <td>\underline{h}</td> </tr> <tr> <td>30 cm</td> <td>< 2,0 m</td> </tr> <tr> <td>40 cm</td> <td>< 3,0 m</td> </tr> </table>	\underline{S}	\underline{h}	30 cm	< 2,0 m	40 cm	< 3,0 m				
\underline{S}	\underline{h}											
30 cm	< 2,0 m											
40 cm	< 3,0 m											
	<p>Syntethic granulates</p> <table data-bbox="406 1892 758 2060"> <tr> <td>\underline{S}</td> <td>\underline{h}</td> </tr> <tr> <td>40 mm</td> <td>~> 1,2...1,3 m</td> </tr> <tr> <td>50 mm</td> <td>~> 1,5...1,7 m</td> </tr> <tr> <td>60 mm</td> <td>~> 1,8...2,0 m</td> </tr> <tr> <td>70 mm</td> <td>~> 2,1...2,5 m</td> </tr> </table> <p>Note. For accurate values, see manufacturer's instructions.</p>	\underline{S}	\underline{h}	40 mm	~> 1,2...1,3 m	50 mm	~> 1,5...1,7 m	60 mm	~> 1,8...2,0 m	70 mm	~> 2,1...2,5 m	
\underline{S}	\underline{h}											
40 mm	~> 1,2...1,3 m											
50 mm	~> 1,5...1,7 m											
60 mm	~> 1,8...2,0 m											
70 mm	~> 2,1...2,5 m											

REMOVE SAFETY SURFACE/SAND/GRAVEL
TO CHECK FOUNDATION



REMOVE SAFETY SURFACE/SAND/GRAVEL
TO CHECK FOUNDATION



LAPPSET®
DEEP FOUNDATION

FOOT

DATE: 13.3.2014

4A



LAPPSET®
BETON FOUNDATION

FOOT

DATE: 27.10.2015

1(1)

② 905104	PCS		PCS
	4		
 M10	PCS		PCS



905104

LAPPSET® DEEP FOUNDATION

FOOT

DATE: 15.5.2018

1(1)



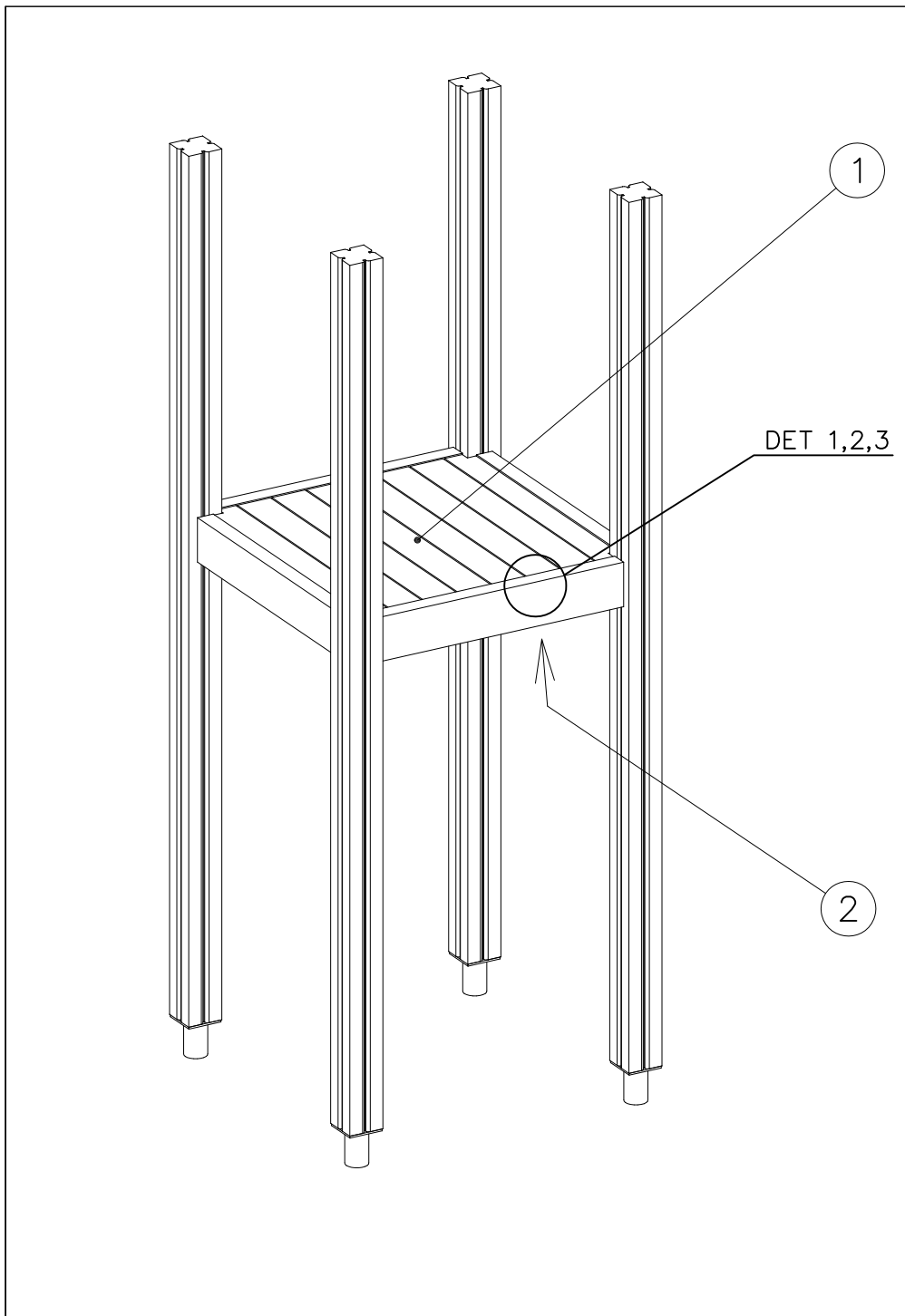
①	909511	PCS	②	909519	PCS
		1			1
	90x90x650			50x380x380	

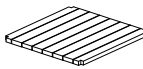
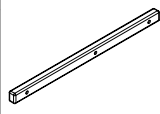
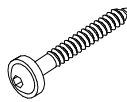

③	909637	PCS	④	909638	PCS
		4			8
	M10			Ø20/10.5	

⑤	909639	PCS	⑥	905104	PCS
		4			4
	M10x25			M10	

OPTION FOOT

①	911155	PCS			PCS
		1			
	90x90x650				



① 008986	PCS	② 706443	PCS
	1		2
750x750		32x45x702	
③ 900240	PCS	④ 980101	PCS
	6		8
Ø8x70		Ø4.5x70	
	PCS		PCS
	PCS		PCS
	PCS		PCS

DET 1

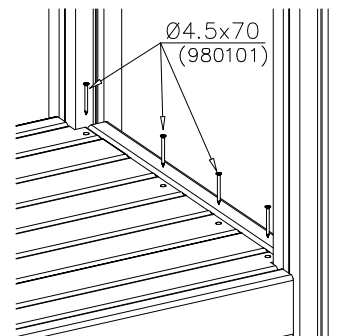


DET 2

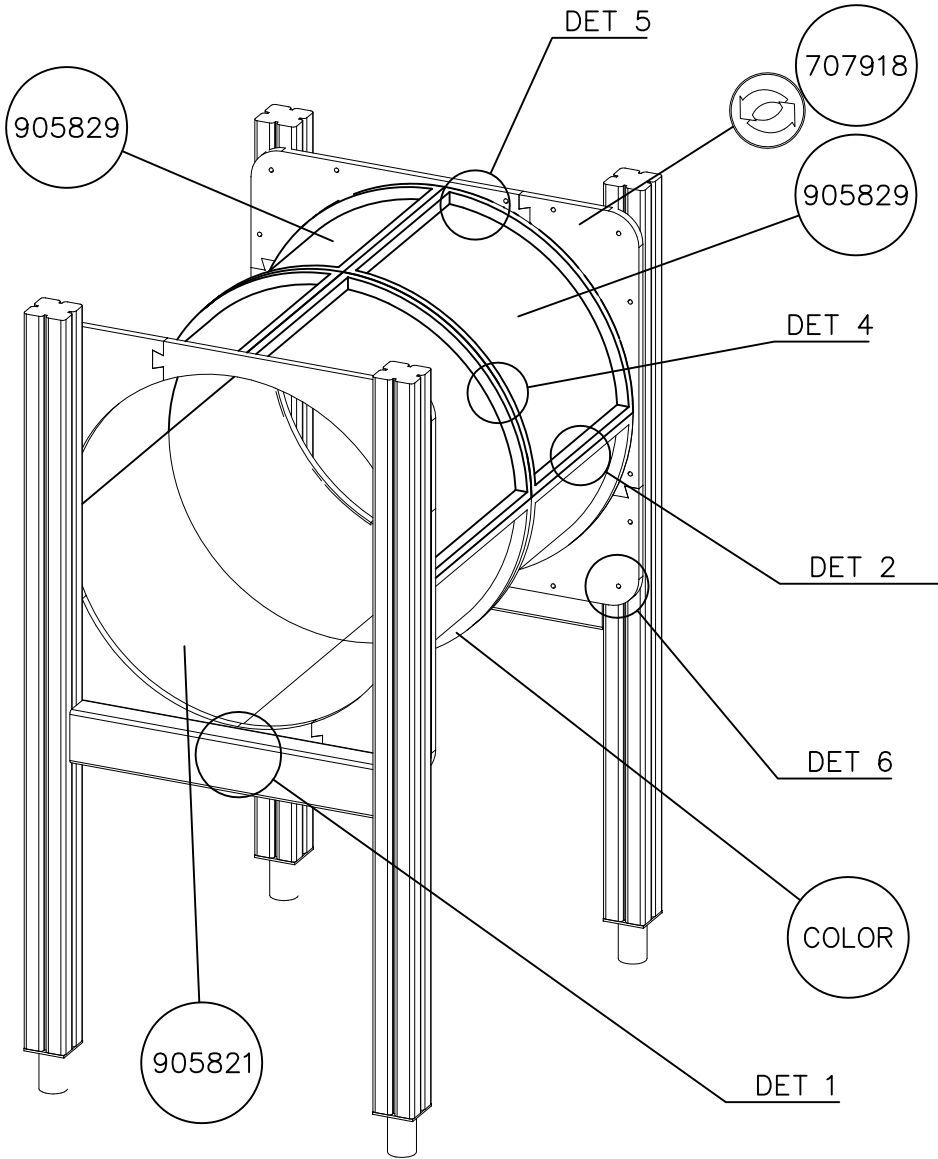
Naulanauha kannatinlistan puolelle.
Nail list to the bottom.



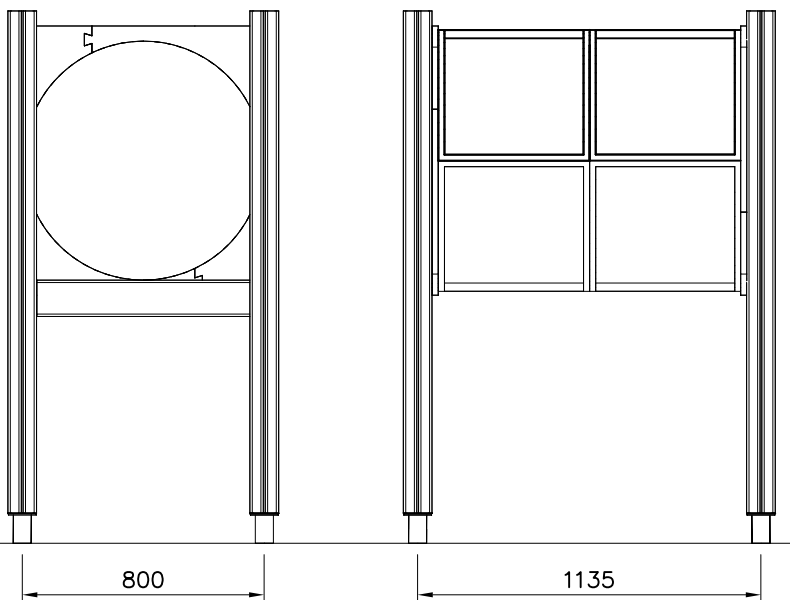
DET 3



DETAILS IN TUBE INSTALLATION GENERAL PAGE



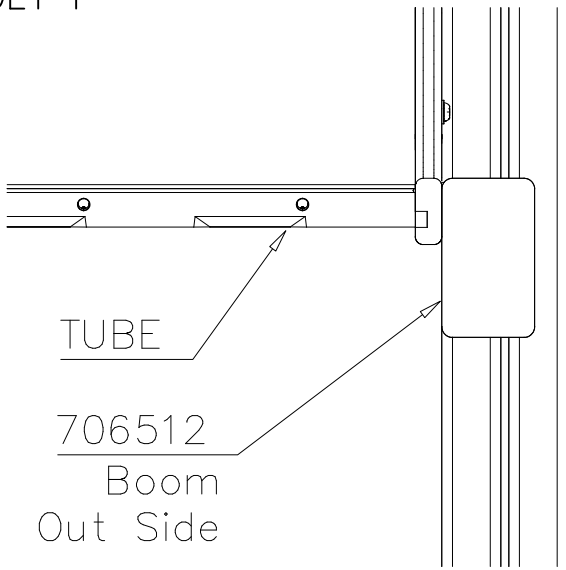
① 905112	PCS 112	② 900240	PCS 26
Ø22		Ø8x70	
③ 903533	PCS 12	④ 905831	PCS 112
SRL12		Ø32x19	
⑤ 909205	PCS 40	⑥ 909208	PCS 32
M8x60		M8	
⑦ 909866	PCS 32	⑧ 980150	PCS 40
M8x60		M8	
○ 707918	PCS 8	○ 905829	PCS 4
20x275x640		Transparent	
		○ COLOR	PCS 4



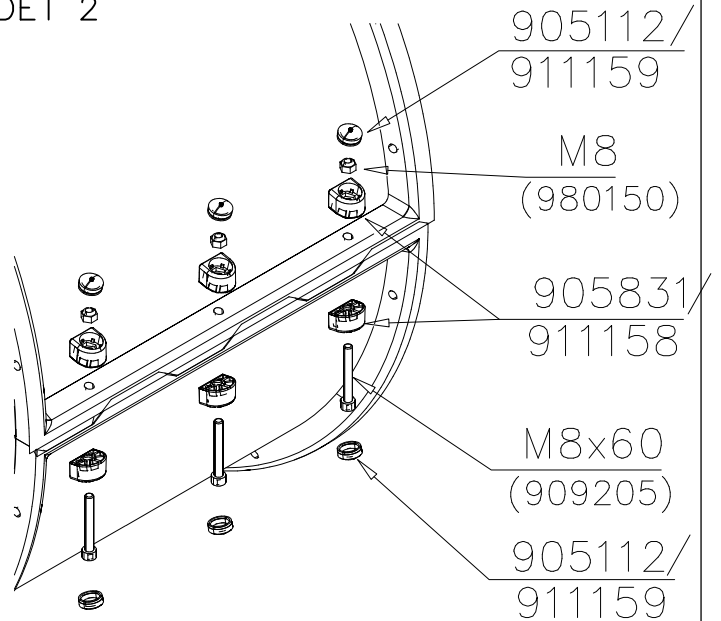
707918 COLOR OPTIONS

- 701 BLUE
- 702 YELLOW
- 703 LIME
- 704 DARK GRAY
- 705 GRAY
- 706 RED
- 707 GREEN
- 708 FUCHSIA

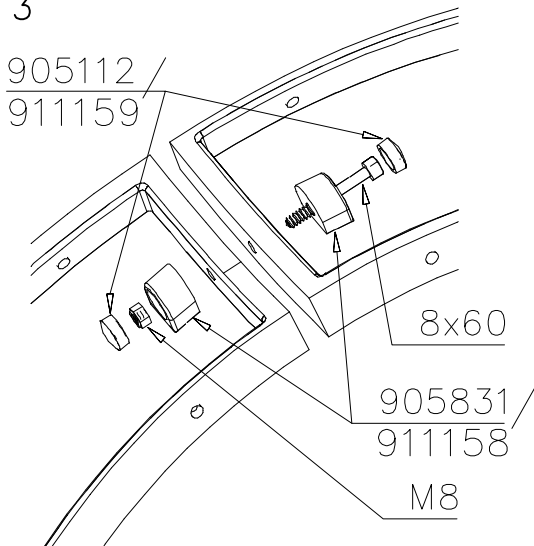
DET 1



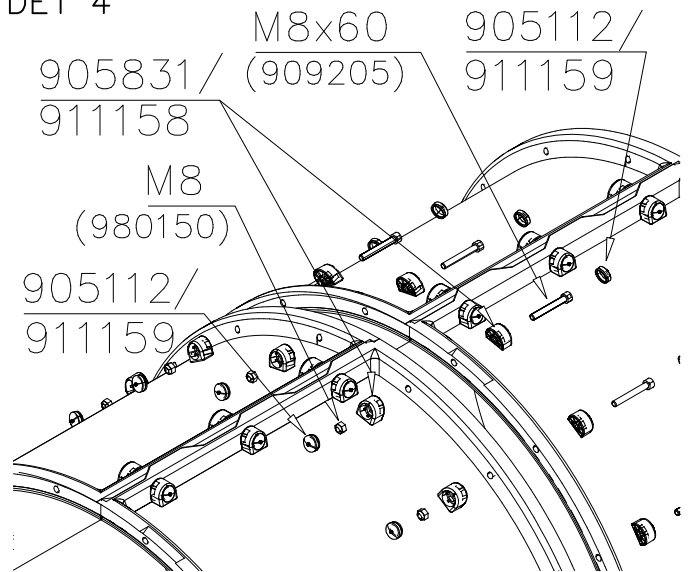
DET 2



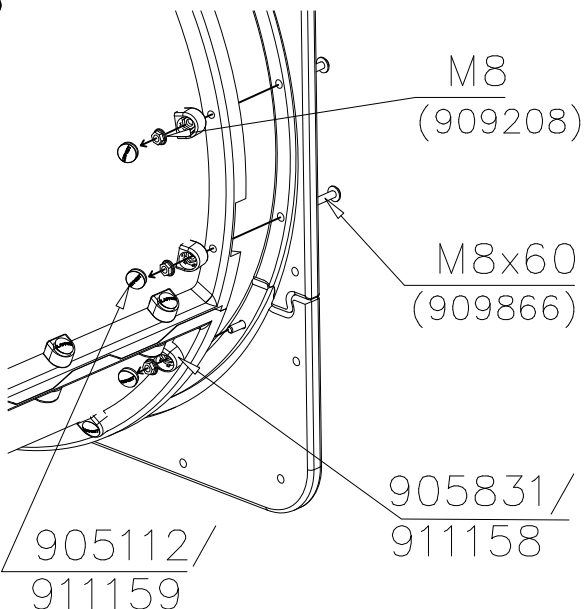
DET 3



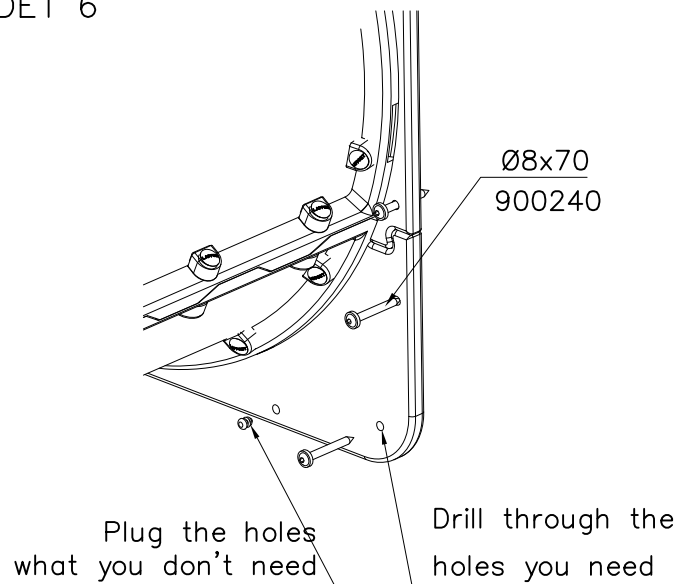
DET 4



DET 5



DET 6

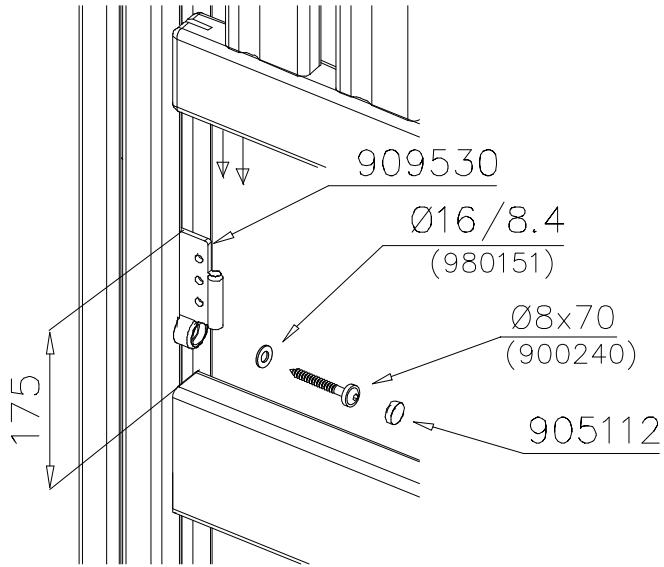


① 706746	PCS	② 909530	PCS
	1		4
45x640x701		55.9x127.5	
③ 900240	PCS	④ 980151	PCS
	4		4
Ø8x70		Ø16/8.4x1.6	
⑤ 905112	PCS		PCS
	4		
Ø22			
	PCS		PCS

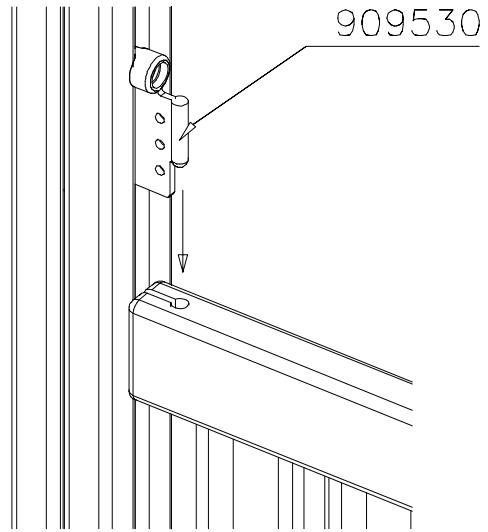


WALL OPTIONS		
 706746 45x640x701	706746-605	DARK GRAY
	706746-606	GRAY
	706746-607	RED
	706746-608	BLUE
	706746-609	GREEN
	706746-610	YELLOW
	706746-611	LIME
	706746-612	FUXIA

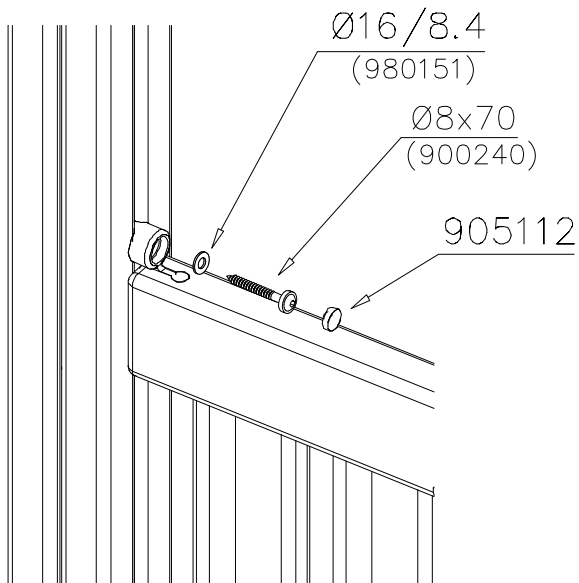
DET 1

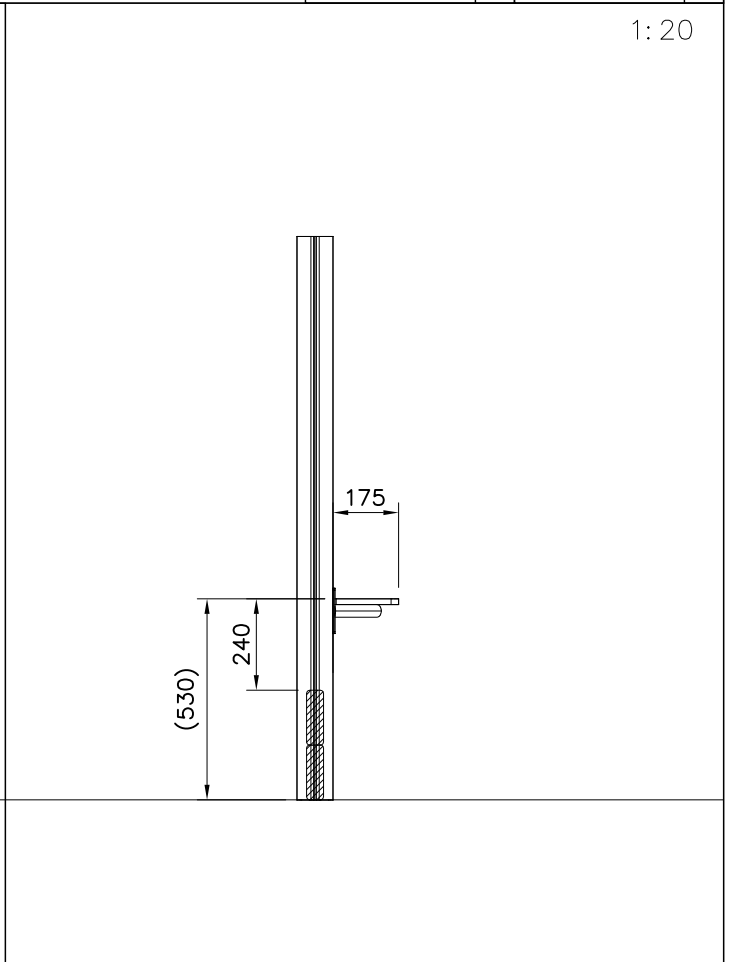
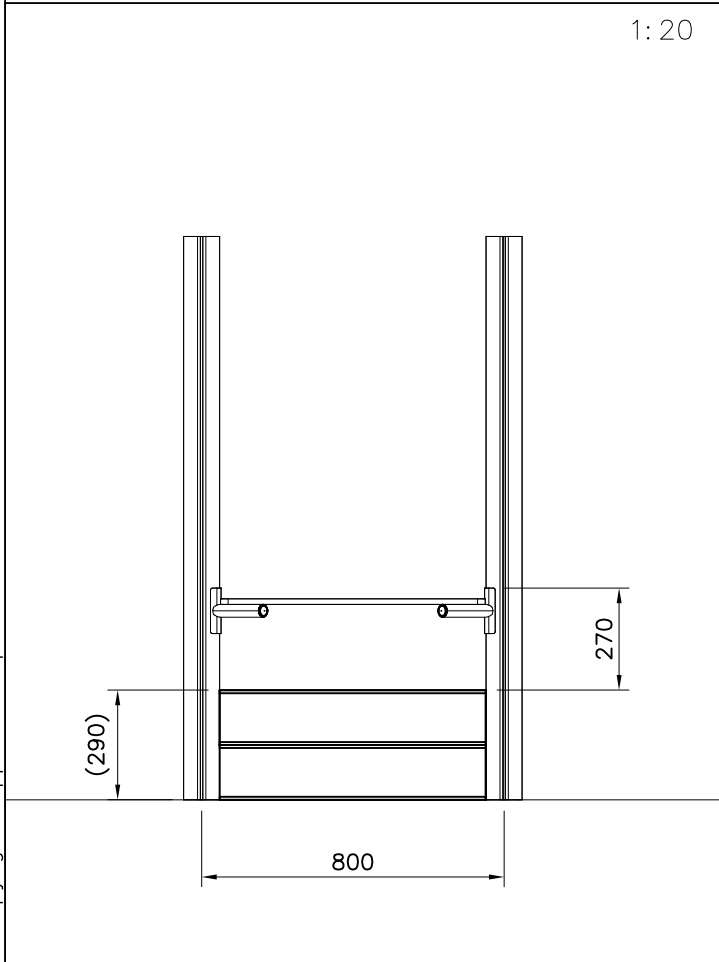
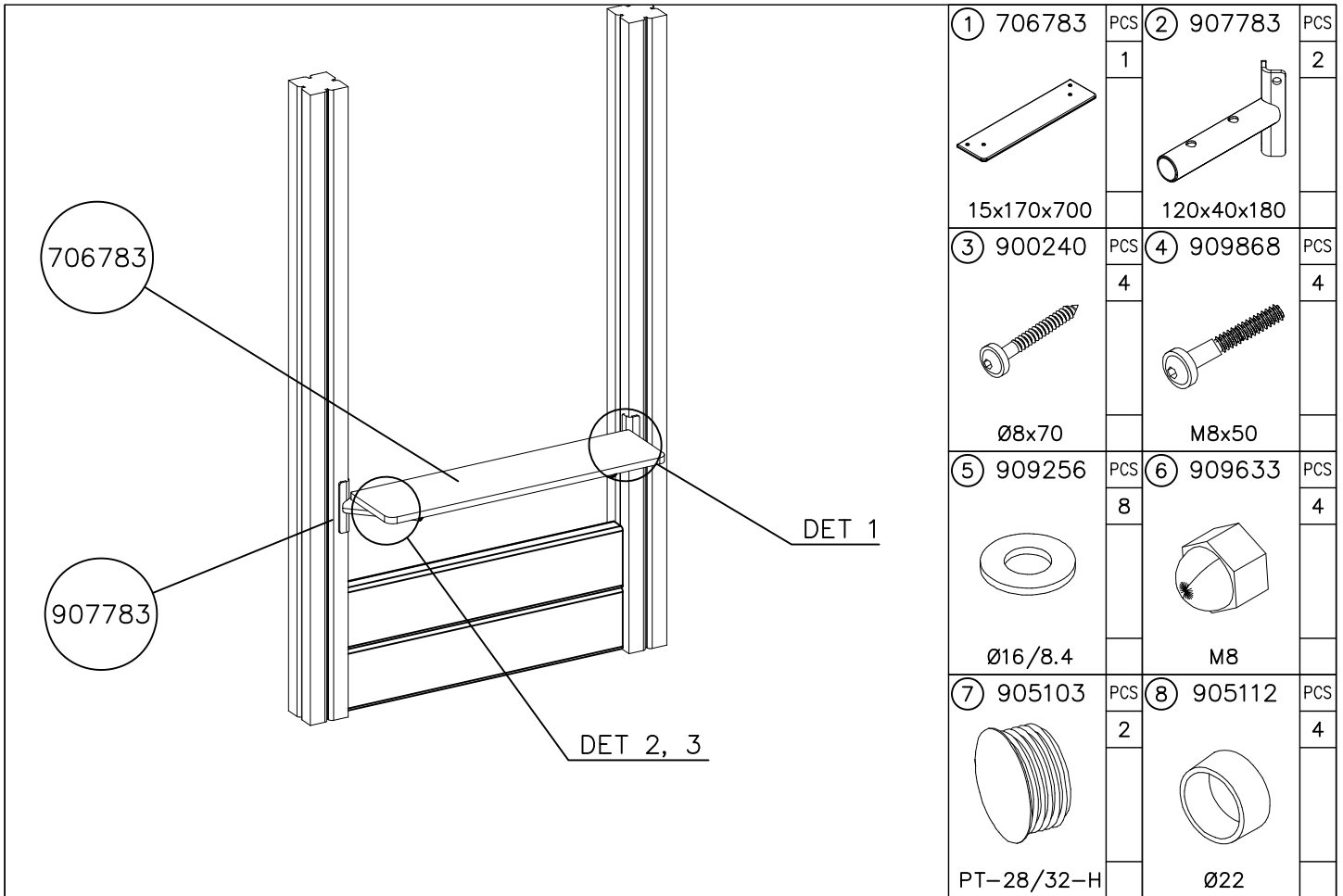


DET 2



DET 3





DET 1

Pre-drill hole
 Esireikä

Ø5 ↓ 50

907783

Ø16/8.4

(909256)

Ø8x70

(900240)

DET 2

907783

905103

DET 3

905112

M8x50

(909868)

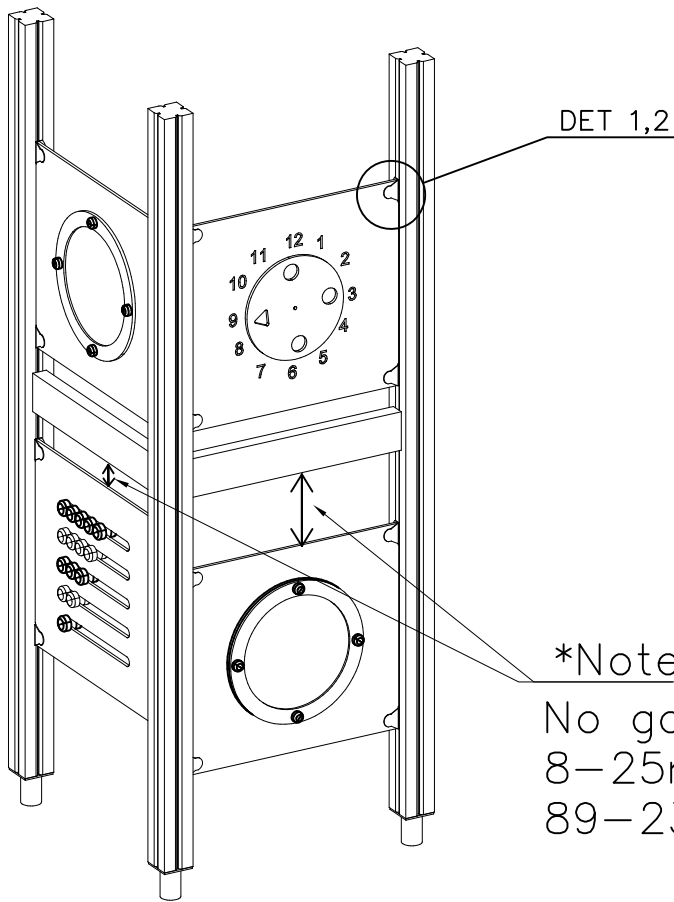
706783

Ø16/8.4

(909256)

M8

(909633)



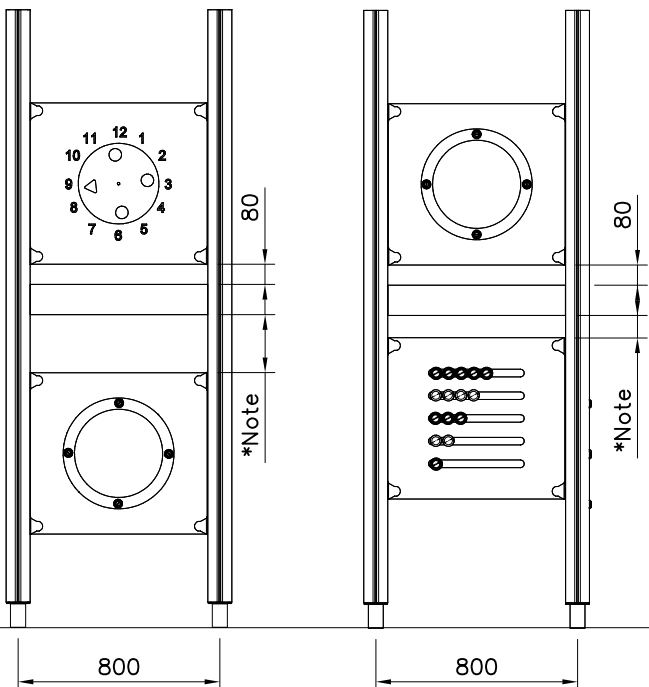
① 903176	PCS	② 909850	PCS
	4		4
		M8x25	
③ 909256	PCS	④ 909633	PCS
	8		4
Ø16/8.4x1.6		M8	
⑤ 980123	PCS		PCS
	4		
Ø7x60			

*Note:

No gaps between:
8–25mm
89–230mm

COLOR OPTIONS

- 701 BLUE
- 702 YELLOW
- 703 LIME
- 704 DARK GRAY
- 705 LIGHT GRAY
- 706 RED
- 707 GREEN
- 708 FUXIA



GAME WALL OPTIONS

706766	706772	706308	707453
			
640x702	640x702	640x702	640x702
707209	705705	707433	707386
			
640x702	640x702	640x702	640x702
709403	709358	709405	
			
640x702	640x702	420x702	

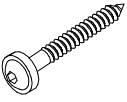
DET 1

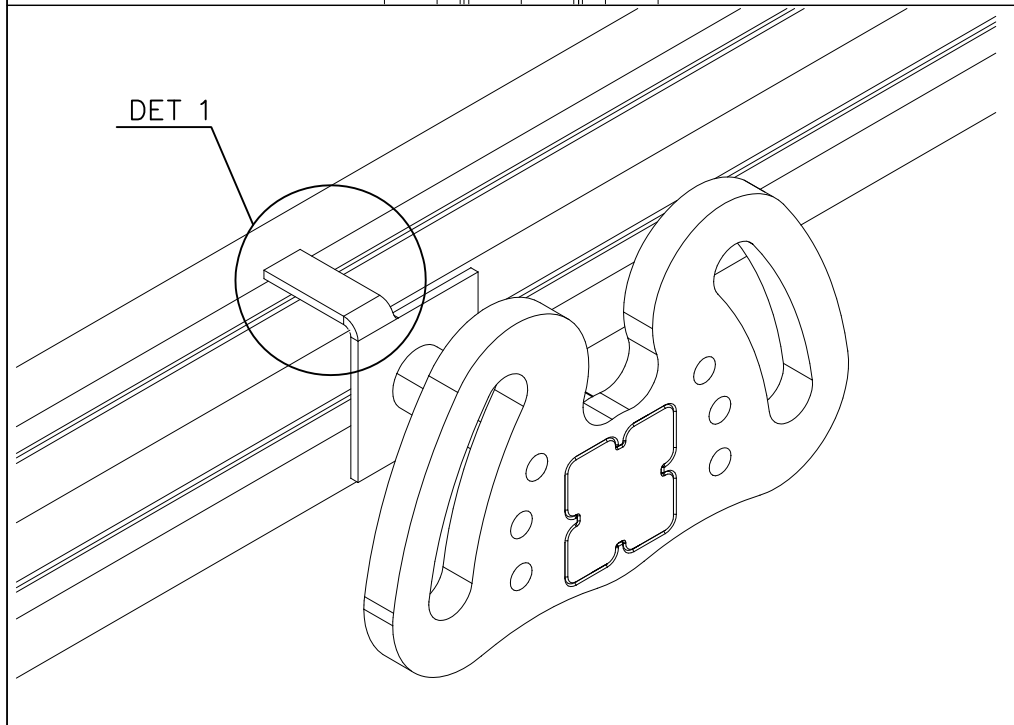


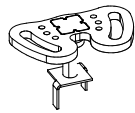
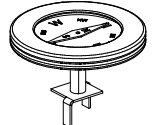
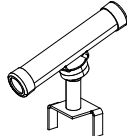
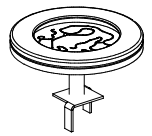
DET 2

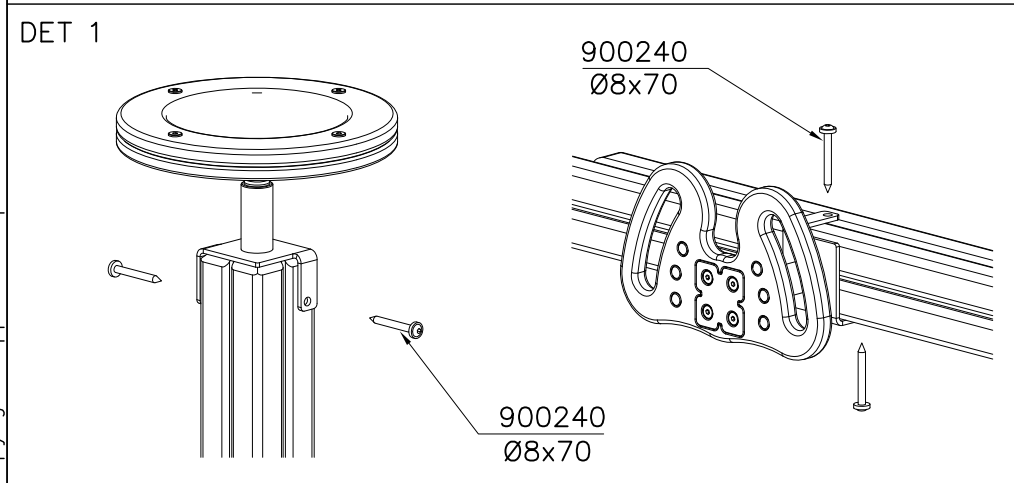




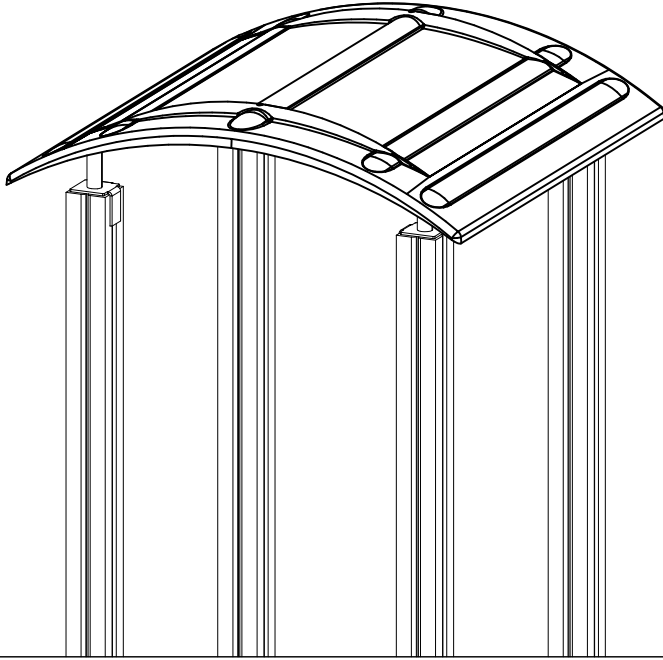
① 900240	PCS		PCS
	2		
Ø8x70			
	PCS		PCS
	PCS		PCS

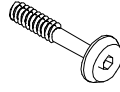



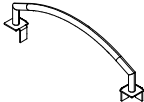



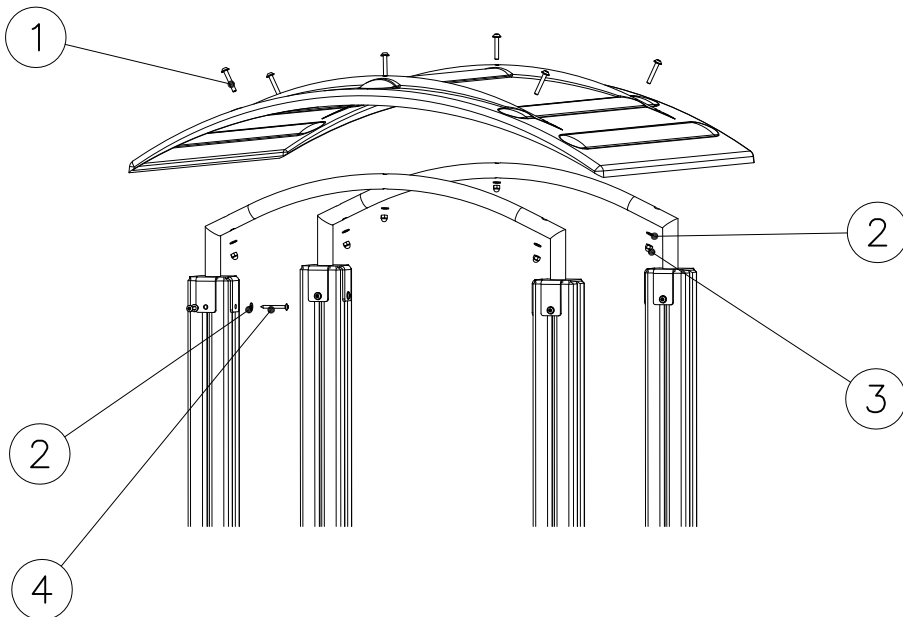
○ 707302	PCS	○ 707303	PCS
	1		1
○ 707304	PCS	○ 707305	PCS
	1		1
	PCS		PCS



	PCS		PCS
	PCS		PCS



①	909868	PCS	②	909256	PCS
		6			14
					
	M8x50			Ø16/8.4	
③	909633	PCS	④	980123	PCS
		6			8
					
	M8			Ø7x60	
		PCS			PCS
		PCS			PCS
○	908330	PCS	○	908251	PCS
		2			1
					
				1100x1100x215	
		PCS			PCS
		PCS			PCS
		PCS			PCS





① 900240	PCS	② 900727	PCS
	1		1
Ø8x70		M10x80	
	PCS		PCS
③ 907688	PCS	③ 907701	PCS
	1		1
765		545	
	PCS		PCS
	PCS		PCS
	PCS		PCS
	PCS		PCS





Tuotekyltti tulee tuotteen mukana yhdellä seuraavista tavoista:

1) Metallinen tuotekyltti ja kiinnitysruuvit

- Kiinnitä tuotekyltti ruuveilla tolppaan noin 2 metrin korkeuteen kuvan 1 mukaisesti.

2) Tuotekyltitarra

- Puhdista maalattu metalli- tai vaneripinta pölystä ja kosteudesta. Liimaa tarra kuvan 2 mukaisesti.
- Huom. Älä kiinnitä tarraa karheapintaiseen laminaattiin tai maalattuun puuhun.

Vår produktmärkning levereras på ett av följande sätt:

1) Produktskylt i metall

- Fäst skylten med de medföljande skruvarna

2) Självhäftande produktetikett

- Rengör den pulverlackerade metallytan eller laminatyten så att den blir fri från smuts och fukt. Fäst etiketten enligt fig. 2.
- Obs! Fäst ej etiketten på detaljer med skrovlig yta eller på målat trä.

Product label is delivered by one of following ways:

1) Metal product label and screws

- Fasten the label with screws.

2) Label sticker

- Clean the painted metal or plywood surface from dirt and moisture. Fasten the sticker as shown in the figure 2.
- Note. Do not attach the sticker to rough surfaced laminate or painted wood.

La plaque d'informations produit est livrée sous l'une de ces 3 formes :

1) Plaque métallique et vis

- Fixez la plaque à l'aide des vis.

2) Etiquette autocollante

- Avant de coller l'étiquette, nettoyez le composant métallique peint ou la plaque de contreplaqué, de toute saleté. La surface doit être sèche (voir image 2).
- Attention, ne pas coller l'étiquette sur une surface lamellé-collée irrégulière ou sur du bois peint.

Die Auslieferung des Produktaufklebers erfolgt auf eine dieser Arten:

1) Produkt-Schild aus Metall incl. Schrauben

- Die Befestigung des Schildes erfolgt mittels der Schrauben.

2) Aufkleber

- Entfernen Sie zunächst Schmutz und Feuchtigkeit vom lackierten Metall bzw. von der Holzoberfläche und bringen Sie den Aufkleber wie im Bild oben rechts beschrieben auf den gesäuberten Untergrund auf.
- Beachten Sie: Bringen Sie den Aufkleber nicht auf raues laminiertes oder lackiertes Holz an.