

LAPPSET®
DEEP FOUNDATION

FOOT

DATE: 13.3.2014

4A

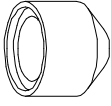


LAPPSET® BETON FOUNDATION

FOOT

DATE: 27.10.2015

1(1)

| | | | |
|--|-----|--|-----|
| ② 905104 | PCS | | PCS |
| | 4 | | |
|  M10 | PCS | | PCS |
| | | | |



905104

LAPPSET® DEEP FOUNDATION

FOOT

DATE: 15.5.2018

1(1)



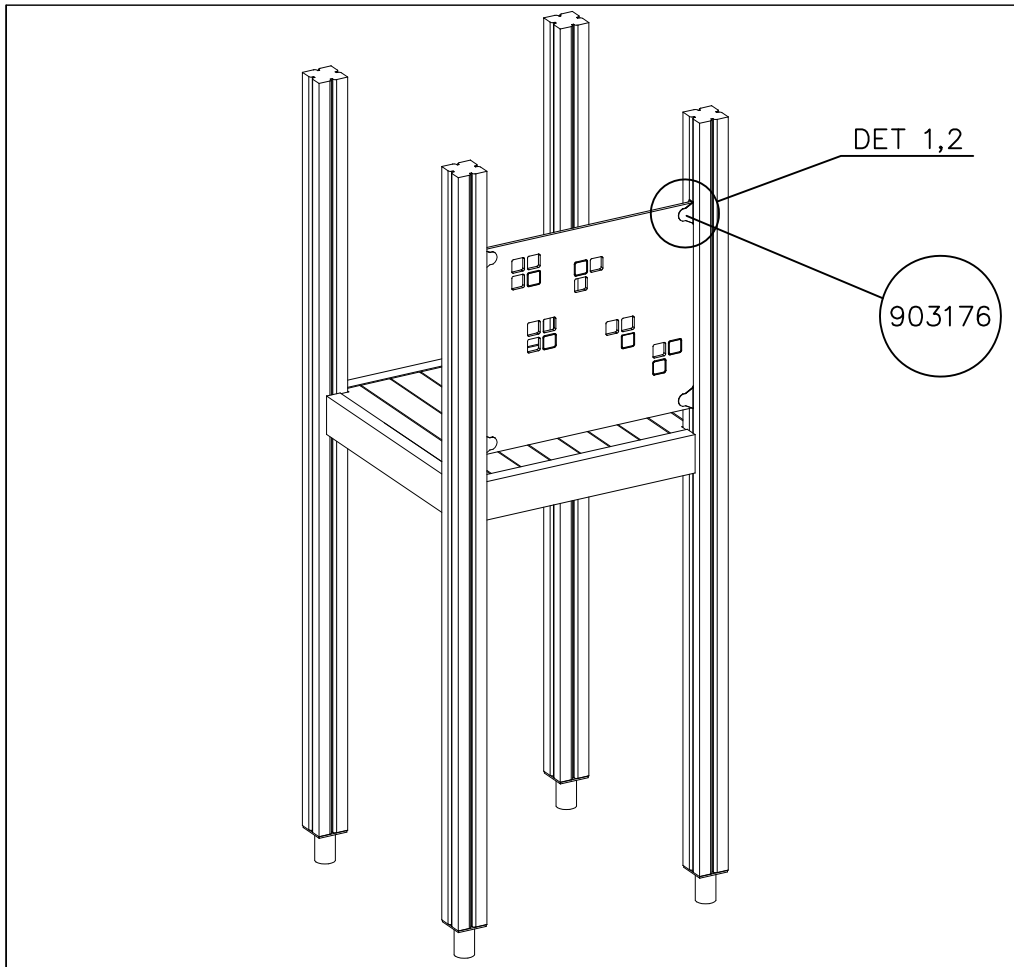
| | | | | | |
|---|-----------|-----|---|------------|-----|
| ① | 909511 | PCS | ② | 909519 | PCS |
| | | 1 | | | 1 |
| | 90x90x650 | | | 50x380x380 | |

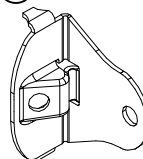
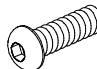
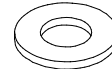
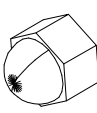

| | | | | | |
|---|--------|-----|---|----------|-----|
| ③ | 909637 | PCS | ④ | 909638 | PCS |
| | | 4 | | | 8 |
| | M10 | | | Ø20/10.5 | |

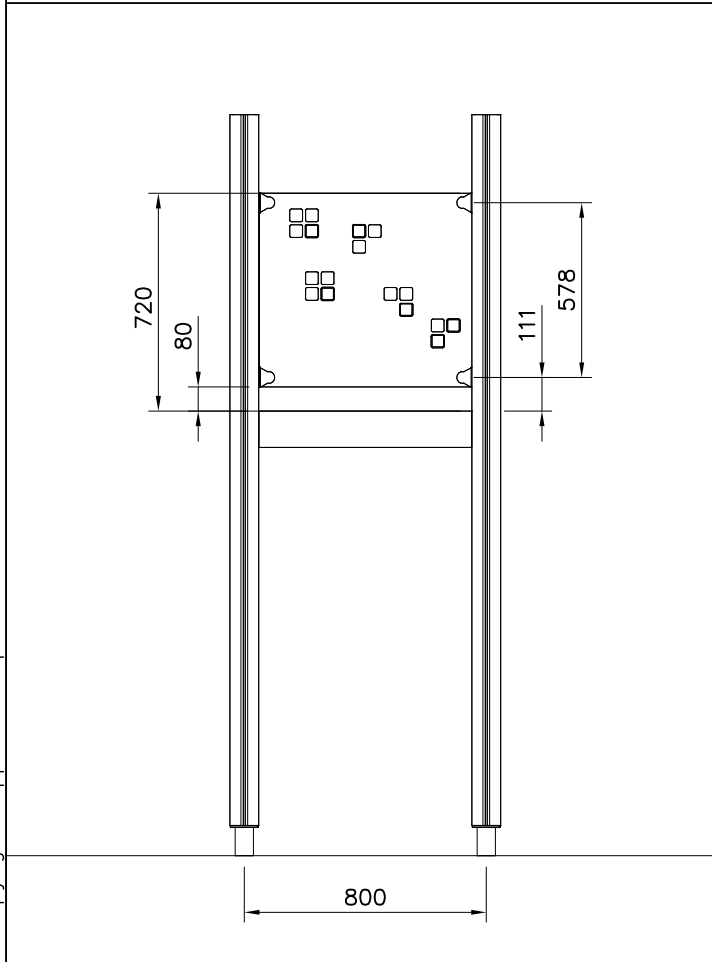
| | | | | | |
|---|--------|-----|---|--------|-----|
| ⑤ | 909639 | PCS | ⑥ | 905104 | PCS |
| | | 4 | | | 4 |
| | M10x25 | | | M10 | |

OPTION FOOT

| | | | | | |
|---|-----------|-----|--|--|-----|
| ① | 911155 | PCS | | | PCS |
| | | 1 | | | |
| | 90x90x650 | | | | |

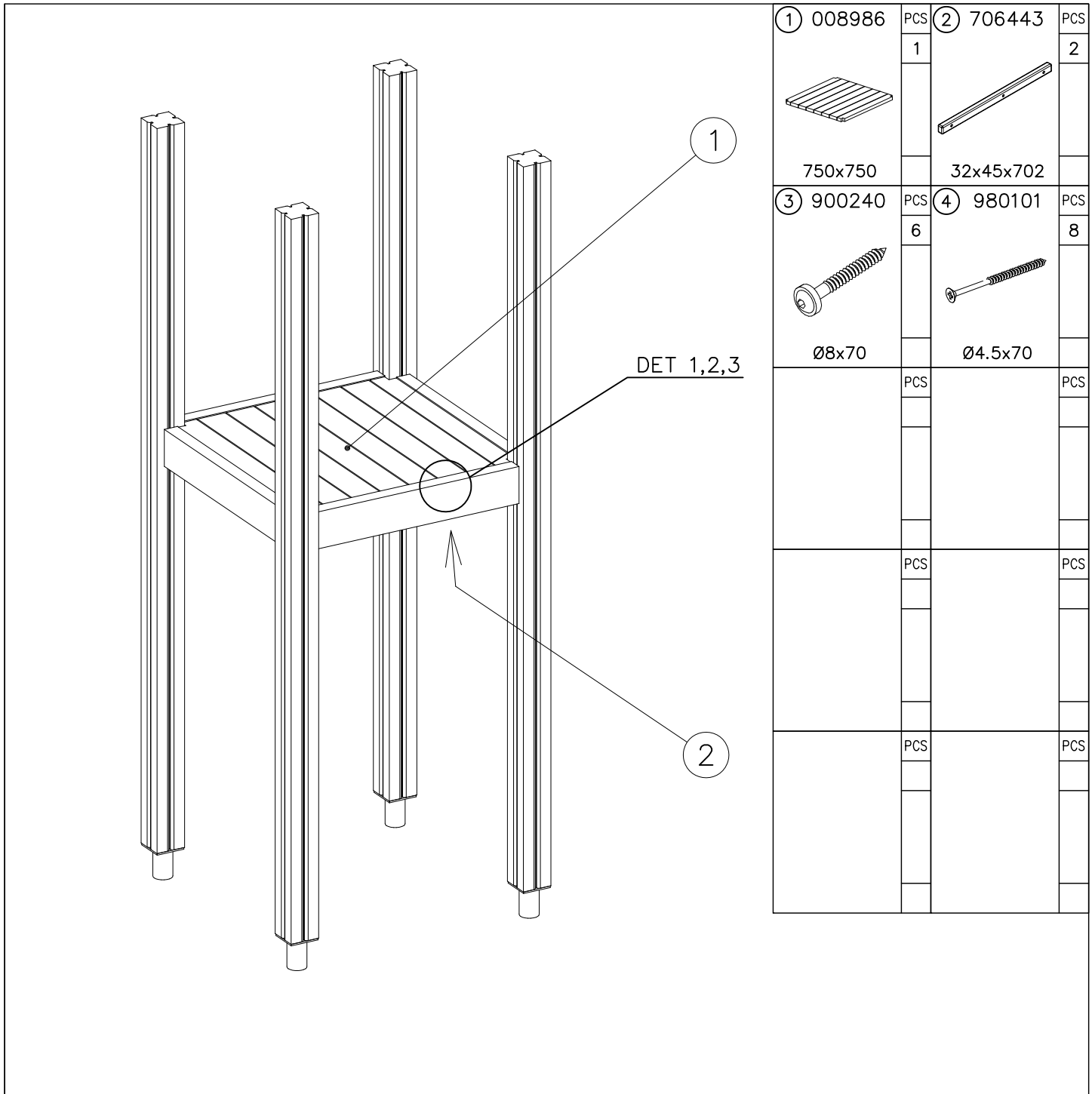


| | | | |
|---|-----|---|-----|
| ① 903176 | PCS | ② 909850 | PCS |
|  | 4 |  | 4 |
| | | M8x25 | |
| ③ 909256 | PCS | ④ 909633 | PCS |
|  | 8 |  | 4 |
| Ø16/8.4x1.6 | | M8 | |
| ⑤ 980123 | PCS | | PCS |
|  | 4 | | |
| Ø7x60 | | | |
| | PCS | | PCS |



Copyright Lappset Group Ltd



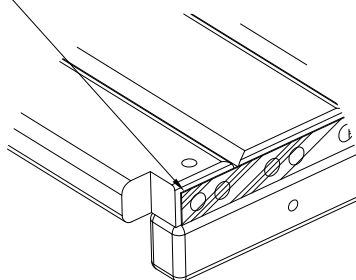


DET 1

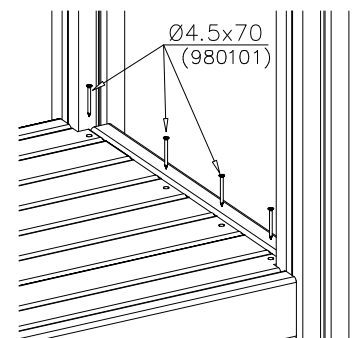


DET 2

Naulanauha kannatinlistan puolelle.
Nail list to the bottom.

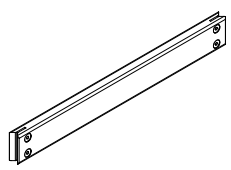


DET 3







| BOOM OPTIONS | | |
|--|------------|-------------|
| 706510 | 706510-602 | DARK BROWN |
| | 706510-603 | LIGHT BROWN |
| | 706510-604 | LIGHT GRAY |
|  | | |
| 45x120x1030 | | |
| | | |
| | | |

DET 1

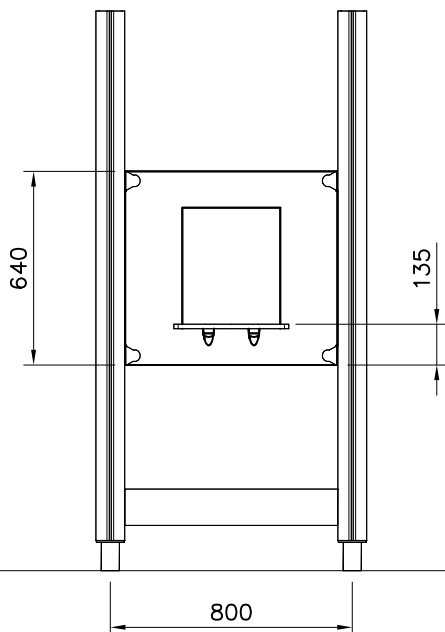


DET 2 M8x60
 (909866)



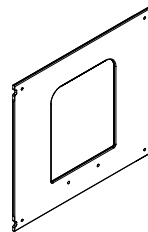
DET 3





WALL OPTIONS

706727

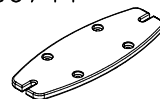


10x640x702

| | |
|------------|------------|
| 706727-701 | BLUE |
| 706727-702 | YELLOW |
| 706727-703 | LIME |
| 706727-704 | DARK GRAY |
| 706727-705 | LIGHT GRAY |
| 706727-706 | RED |
| 706727-707 | GREEN |
| 706727-708 | FUXIA |

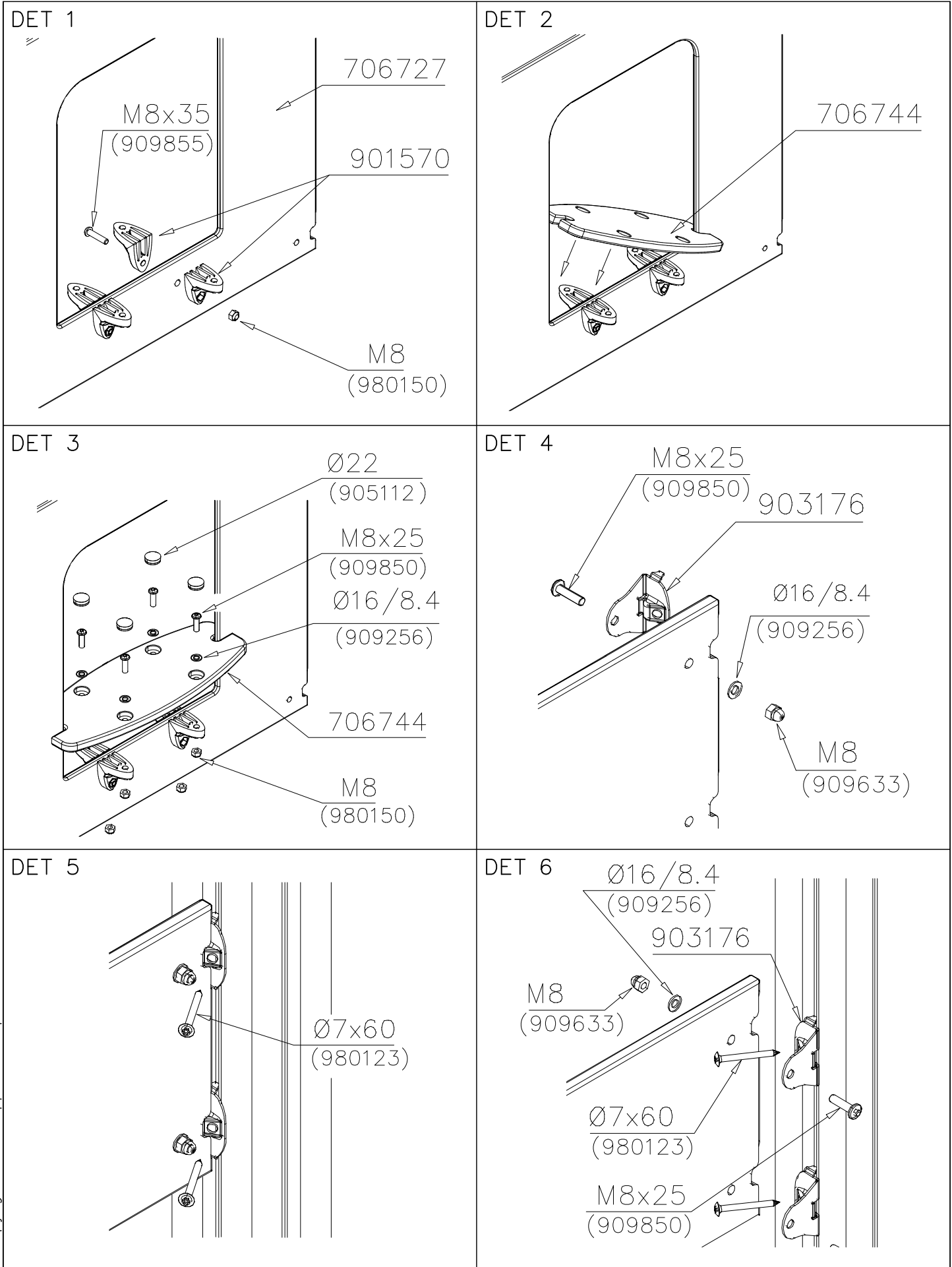
WALL OPTIONS

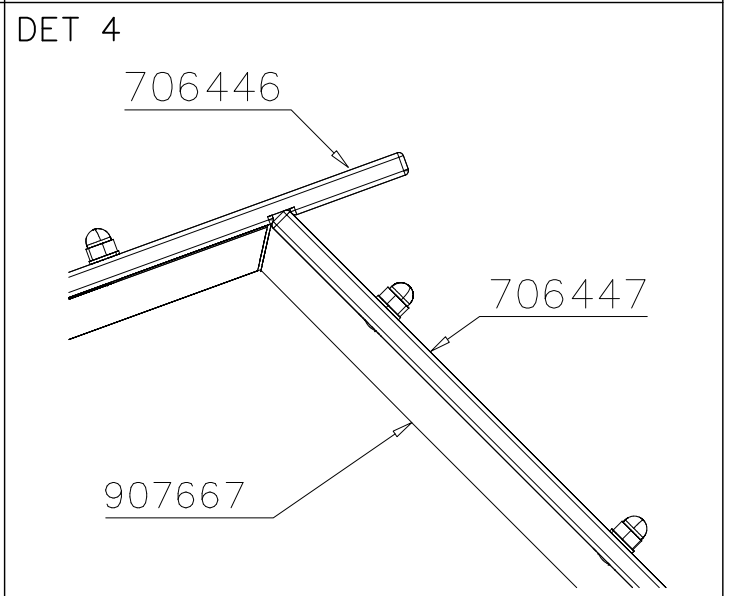
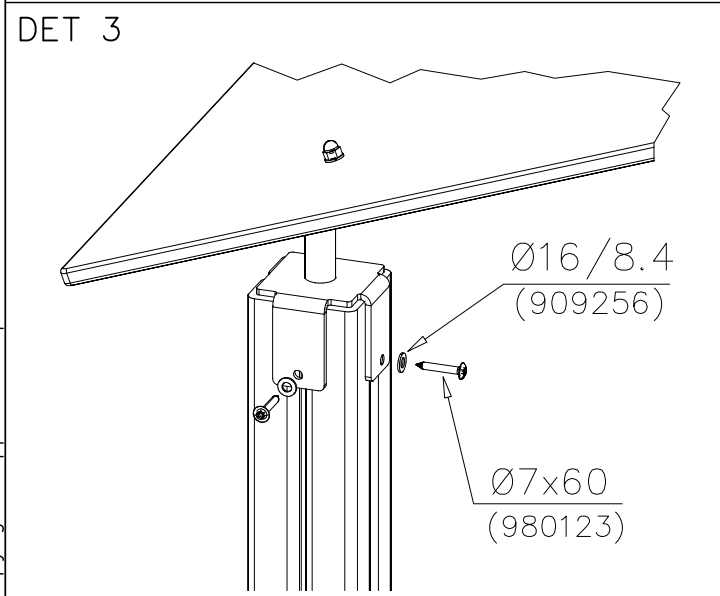
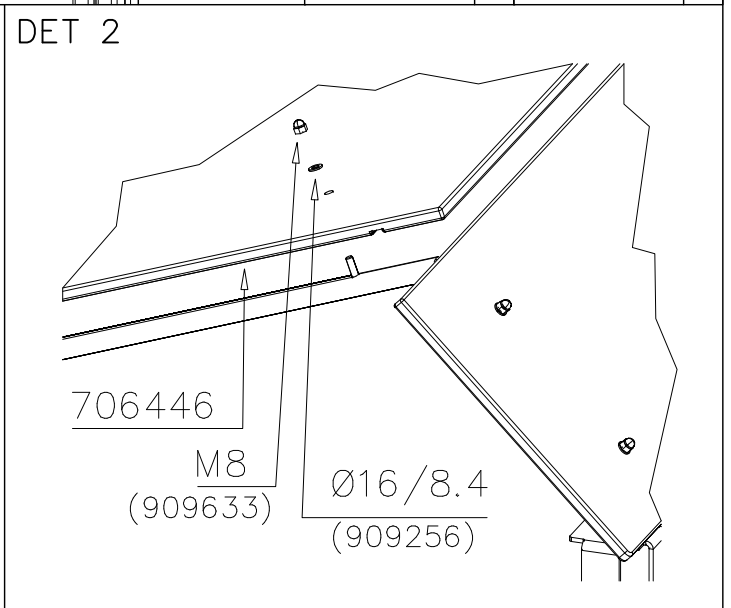
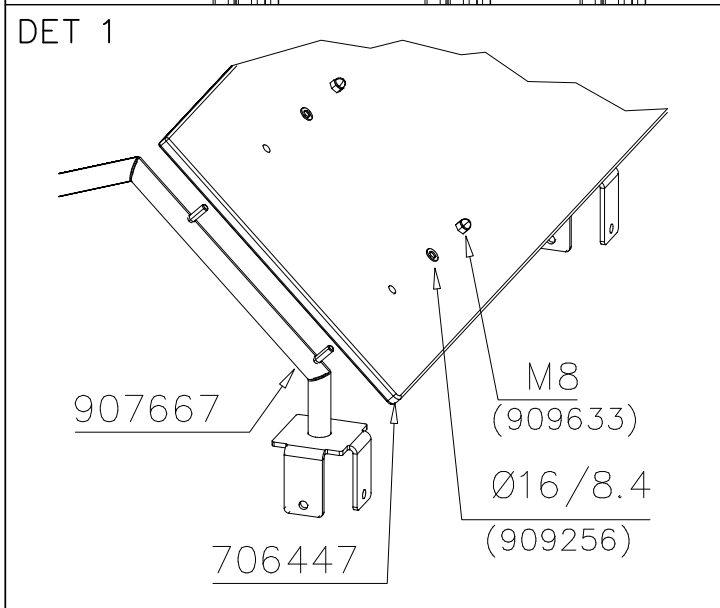
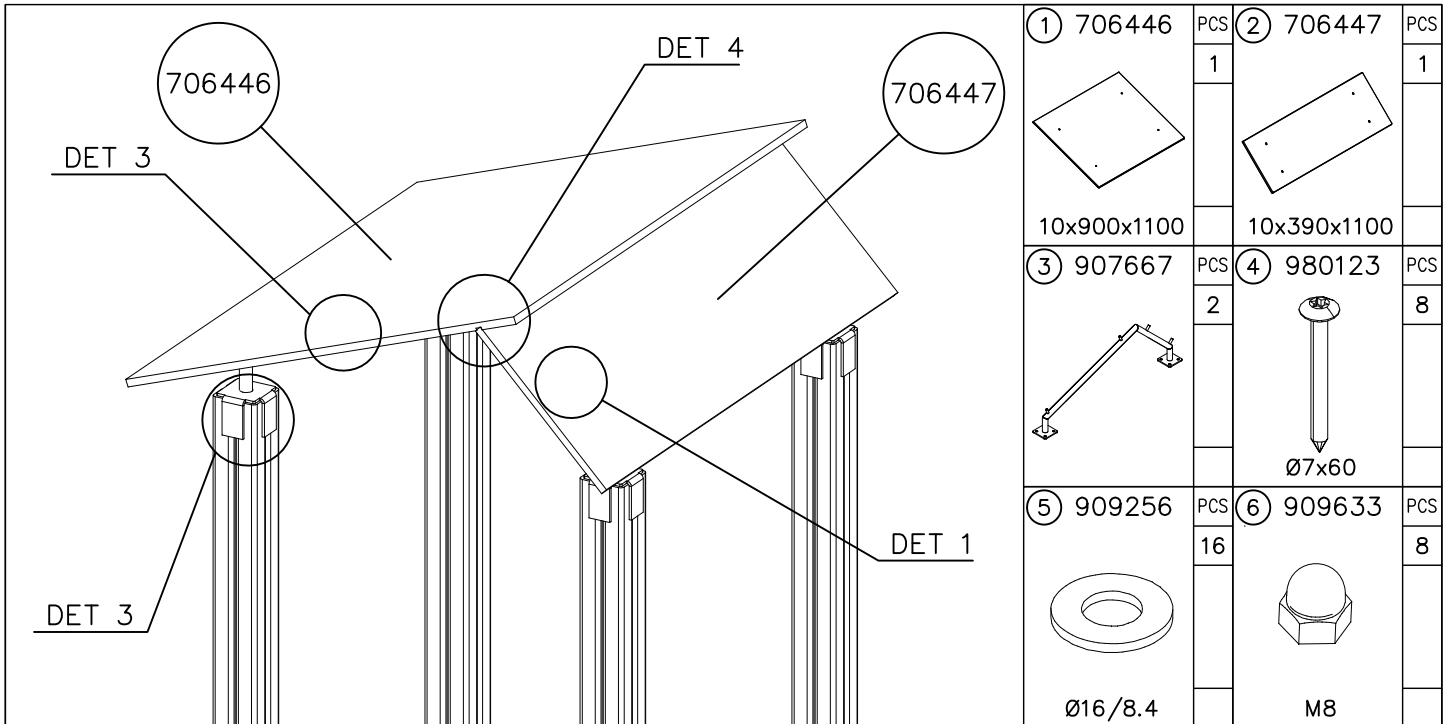
706744

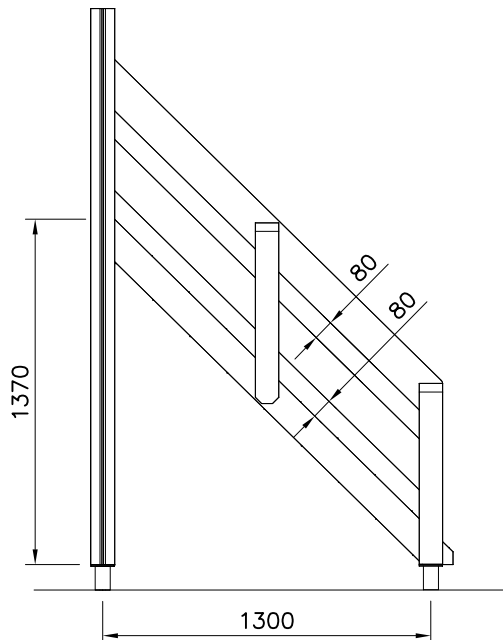
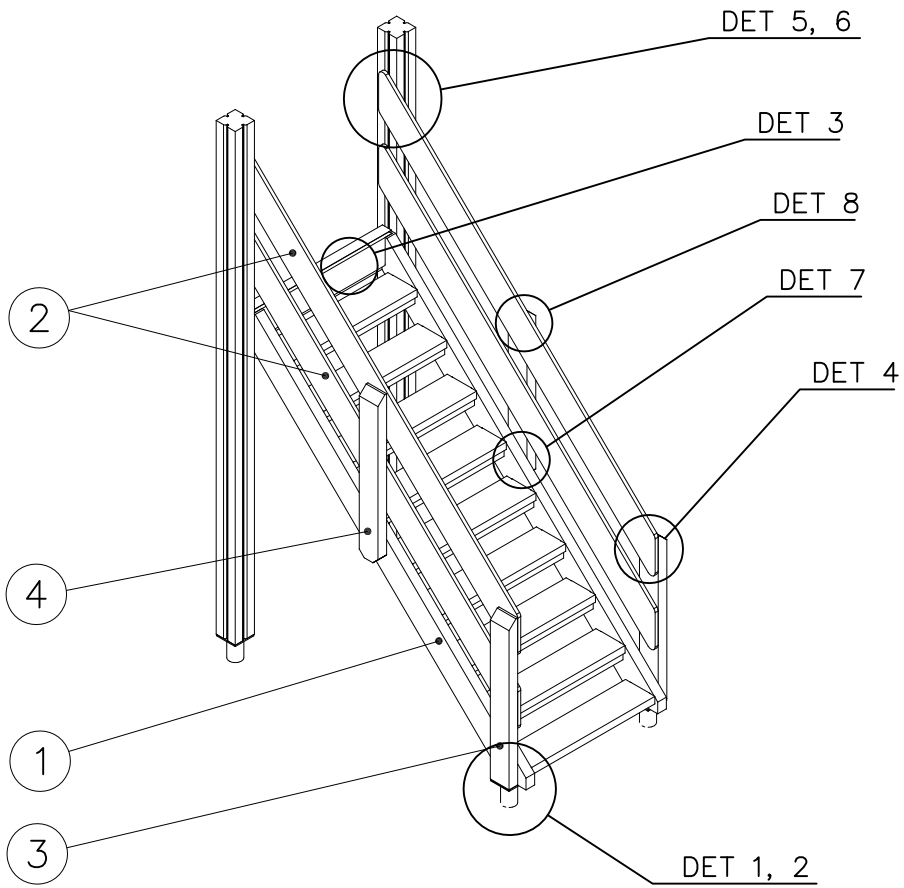


15x145x380

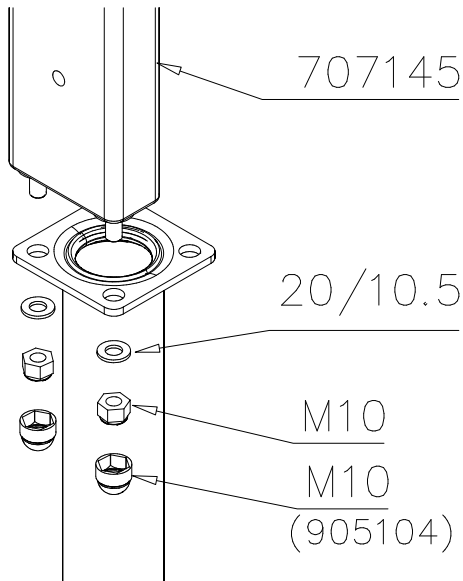
| | |
|--------|-----------|
| 706744 | DARK GRAY |
|--------|-----------|







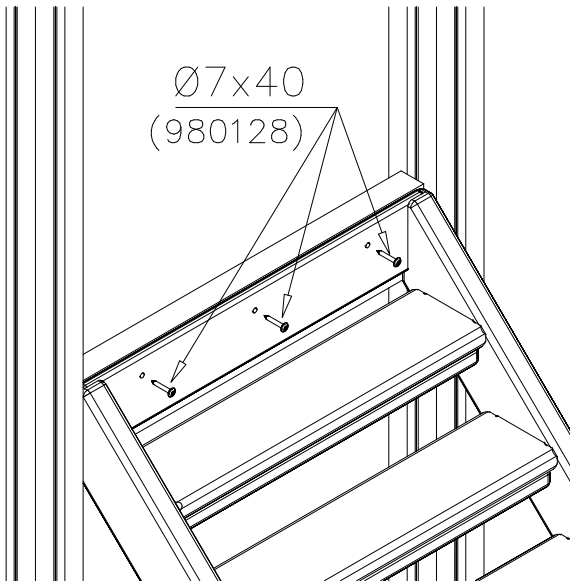
DET 1



DET 2



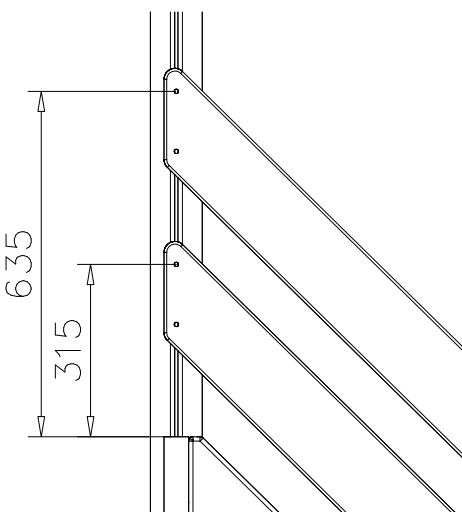
DET 3



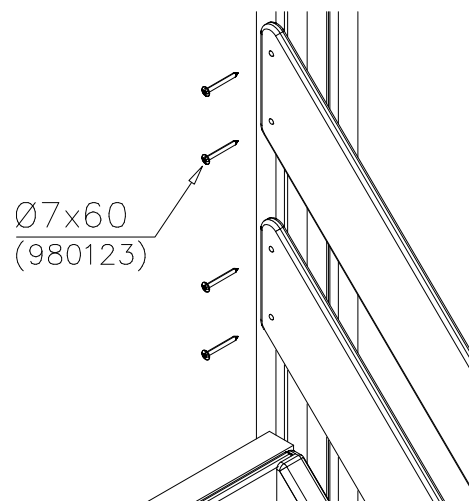
DET 4

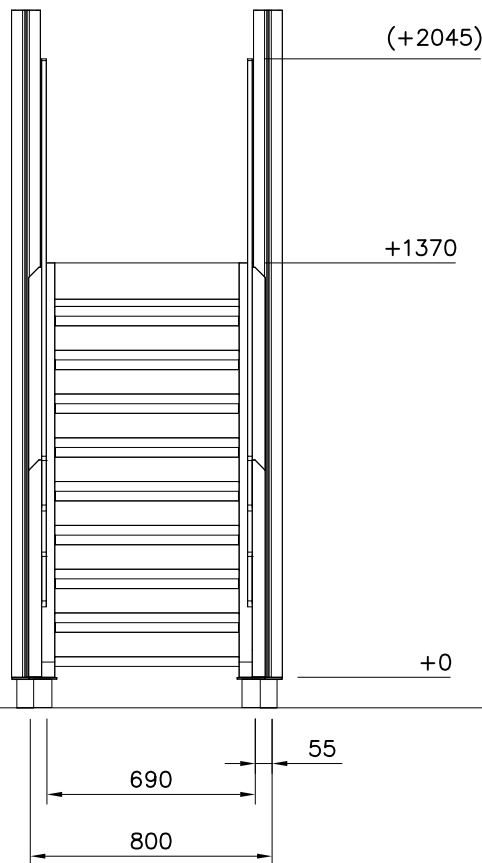
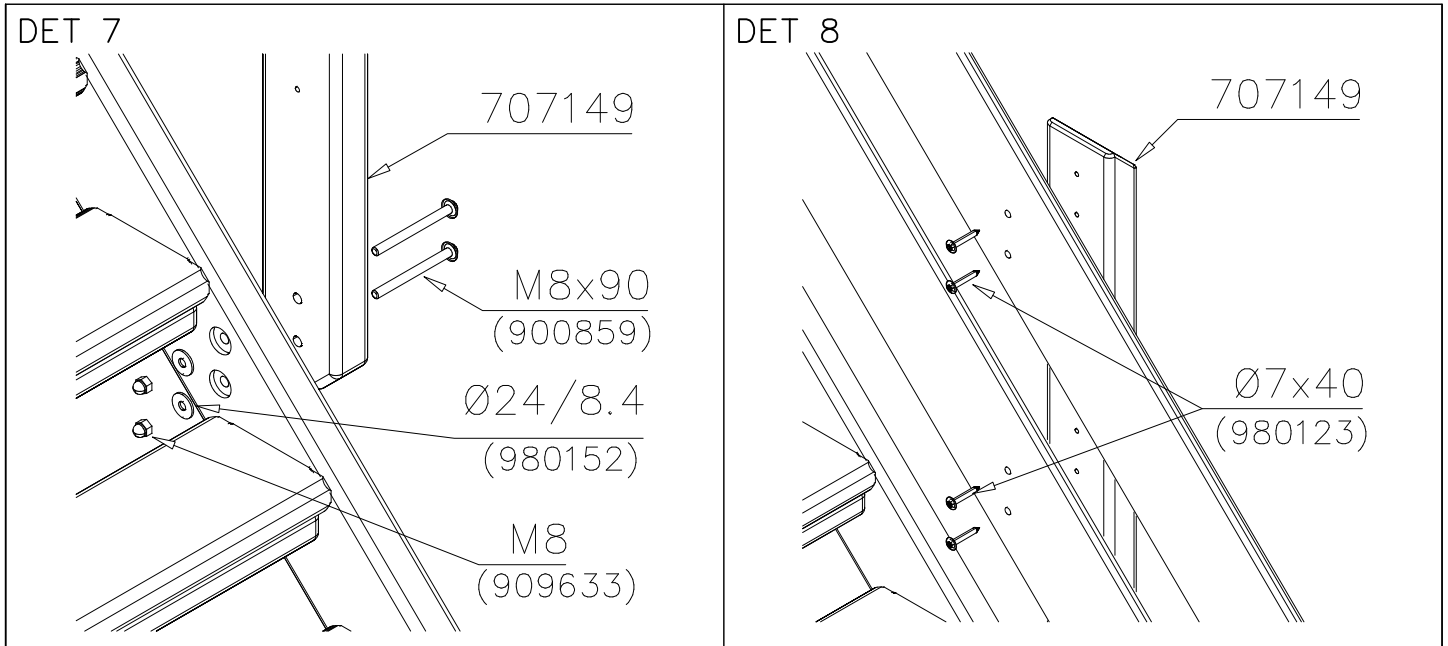


DET 5




DET 6







STAIRS OPTIONS +1470


| | |
|---|--|
| 707192  | 707192-602 DARK BROWN 707192-603 LIGHT BROWN 707192-604 LIGHT GRAY |
|---|--|

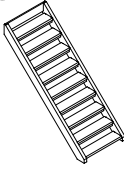



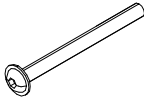
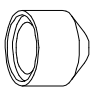
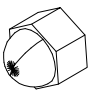


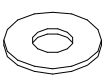
RAILING OPTIONS

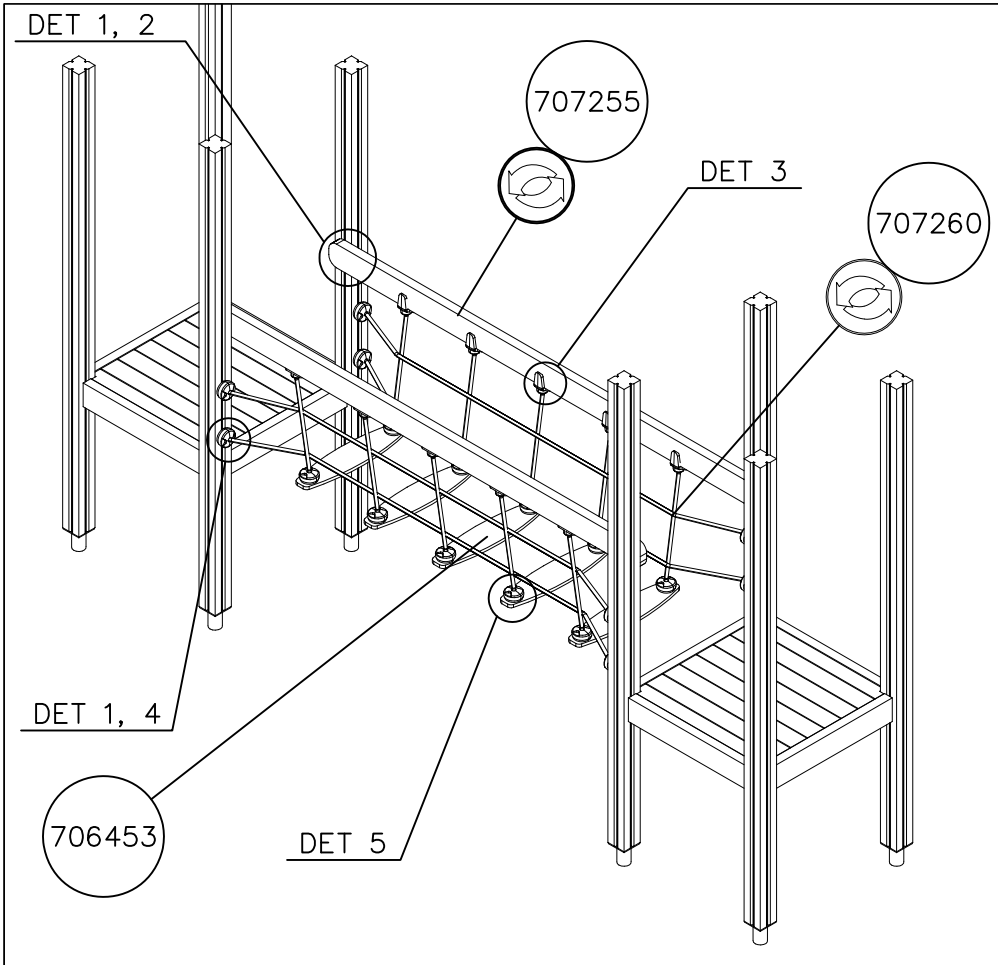
| | | |
|---|--|--------------------------------------|
| RAILS 707152  15x145x2009 | 707152-701 BLUE 707152-702 YELLOW 707152-703 LIME 707152-704 DARK GRAY 707152-705 LIGHT GRAY 707152-706 RED | 707152-707 GREEN 707152-708 FUXIA |
|---|--|--------------------------------------|

| | |
|---|--|
| POST 707145  43x93x717 | 707145-602 DARK BROWN 707145-603 LIGHT BROWN 707145-604 LIGHT GRAY |
|---|--|

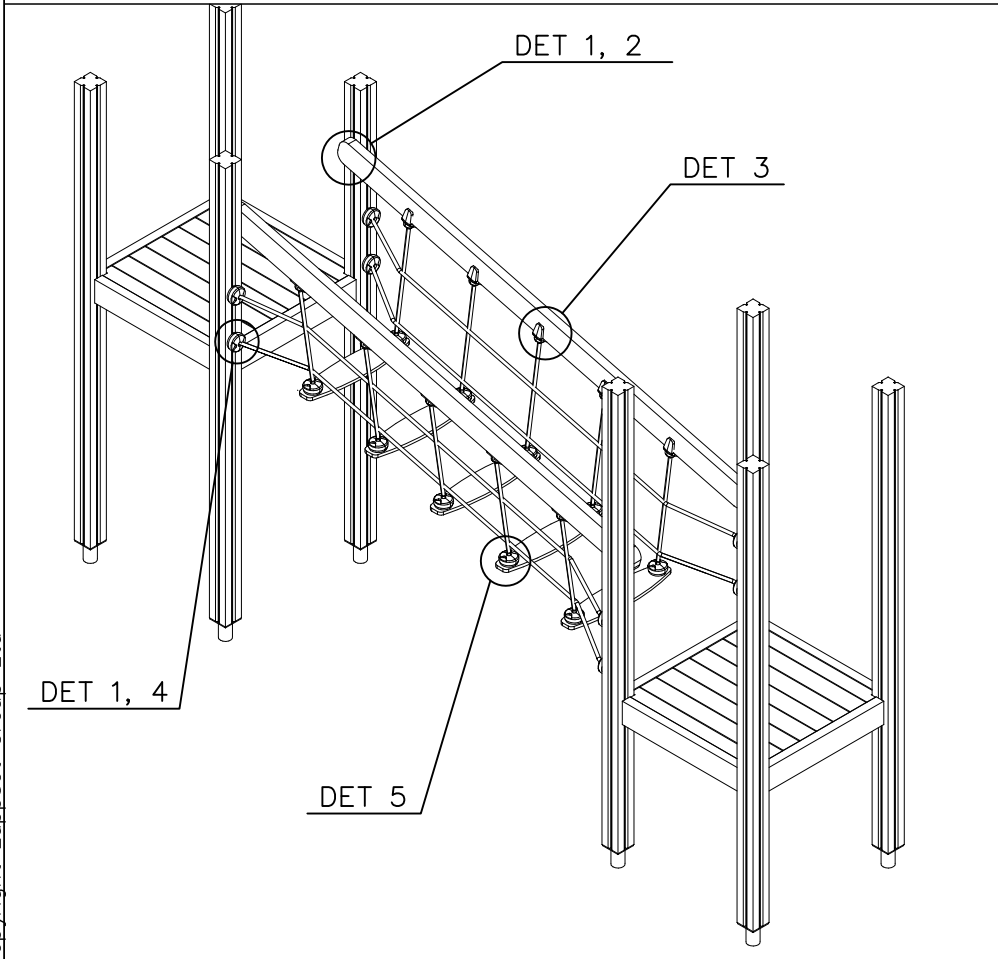
POST OPTIONS

| | |
|--|--|
| POST 707149  43x93x717 | 707149-602 DARK BROWN 707149-603 LIGHT BROWN 707149-604 LIGHT GRAY |
|--|--|

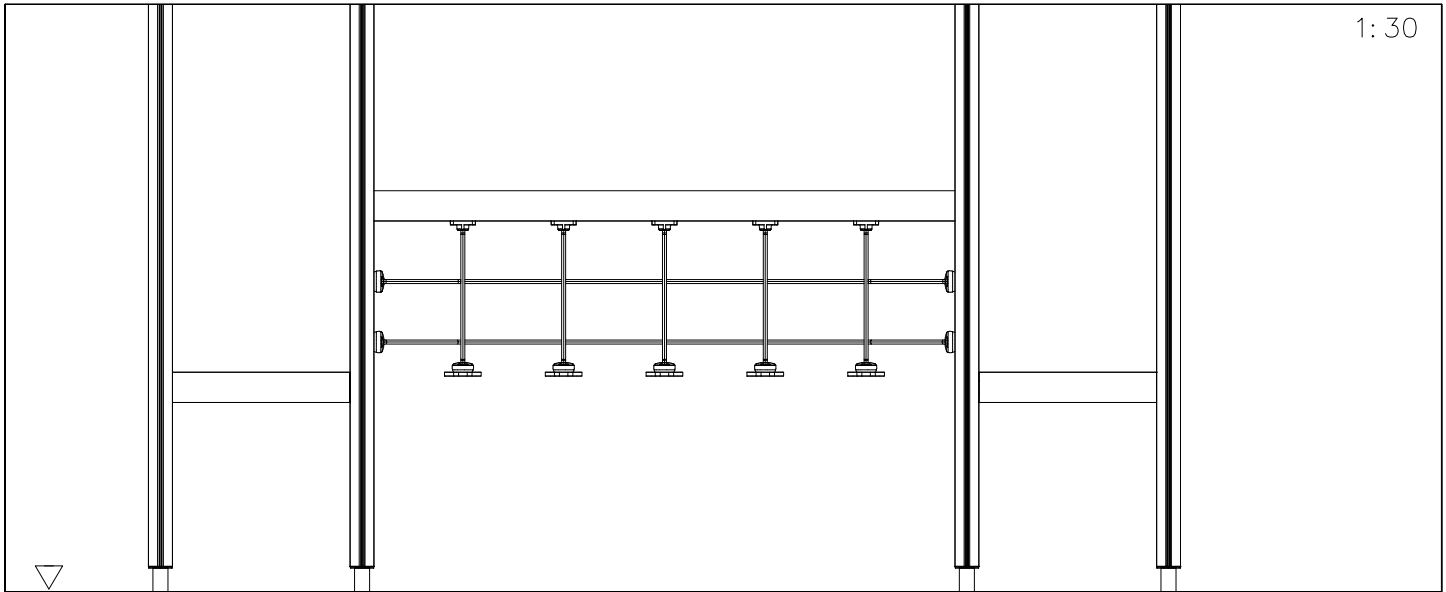
| | | | | | | | | | | | |
|--|----------|--|----------|--|-----------|---|----------|--|----------|--|----------|
| ① 707192  +1470 | PCS 1 | ② 707152  15x145x2009 | PCS 4 | ③ 707145  43x93x717 | PCS 2 | ④ 707149  43x93x717 | PCS 2 | ⑤ 900859  M8x90 | PCS 6 | ⑥ 905104  M10 | PCS 4 |
| ⑦ 909633  M8 | PCS 6 | ⑧ 980123  Ø7x60 | PCS 8 | ⑨ 980128  Ø7x40 | PCS 23 | ⑩ 980152  Ø24/8.4x2 | PCS 6 | | PCS | | PCS |



| | | | |
|------------|-----|-------------|-----|
| ① 706453 | PCS | ② 707255 | PCS |
| | 5 | | 2 |
| 15x145x600 | | 45x120x2480 | |
| ③ 707260 | PCS | ④ 905083 | PCS |
| | 2 | | 4 |
| 2375x600 | | Ø32 | |
| ⑤ 980151 | PCS | ⑥ 909232 | PCS |
| | 4 | | 4 |
| Ø16/8.4 | | 8x120 | |
| ⑦ 905112 | PCS | ⑧ 900240 | PCS |
| | 4 | | 16 |
| Ø22 | | Ø8x70 | |

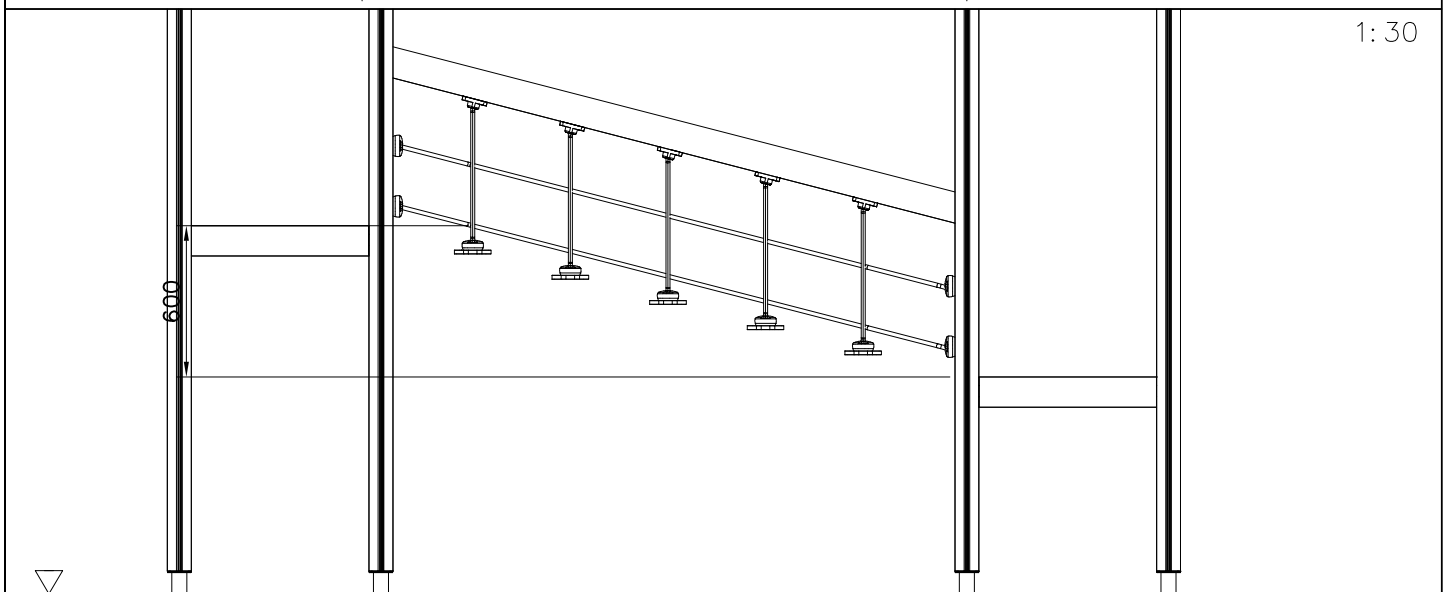


| | | | |
|----------|-----|----------|-----|
| ⑨ 980123 | PCS | ⑩ 980128 | PCS |
| | 20 | | 10 |
| Ø7x60 | | Ø7x40 | |
| ⑪ 980150 | PCS | ⑫ 901899 | PCS |
| | 20 | | 20 |
| M8 | | M8x45 | |
| | PCS | | PCS |
| | | | |
| | PCS | | PCS |
| | | | |



2400

1:30

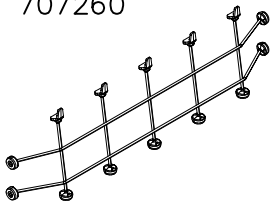


2320

1:30

NET OPTIONS

707260

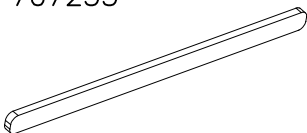


2375x600

- 707260-301 BLUE
- 707260-302 RED
- 707260-303 BEIGE
- 707260-304 GRAY
- 707260-305 BLACK
- 707260-306 YELLOW

RAILING OPTIONS

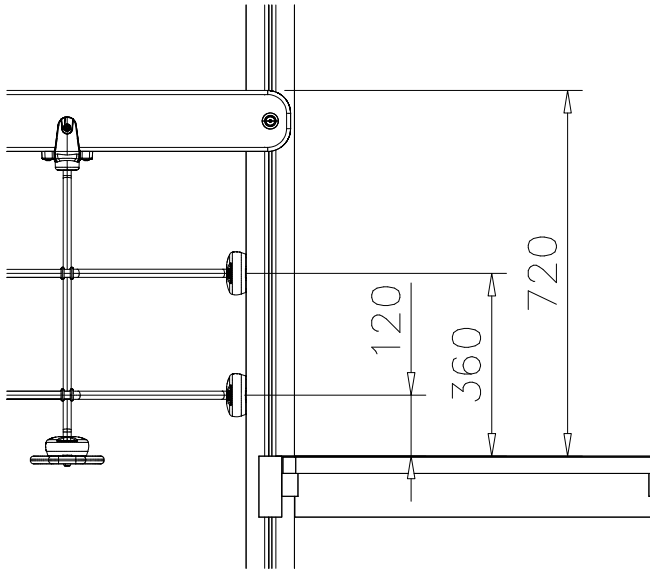
707255



45x120x2480

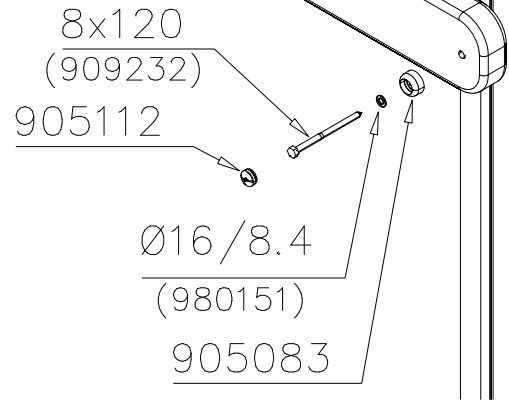
- 707255-605 DARK GRAY
- 707255-606 GRAY
- 707255-607 RED
- 707255-608 BLUE
- 707255-609 GREEN
- 707255-610 YELLOW
- 707255-611 LIME
- 707255-612 FUXIA

DET 1

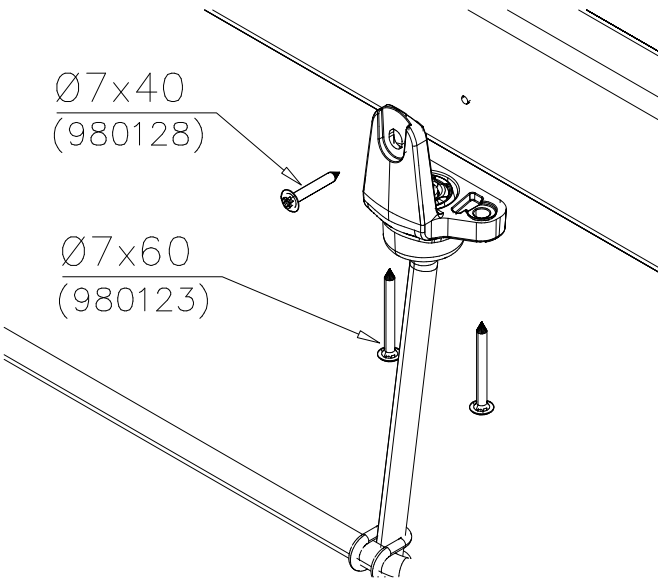


DET 2

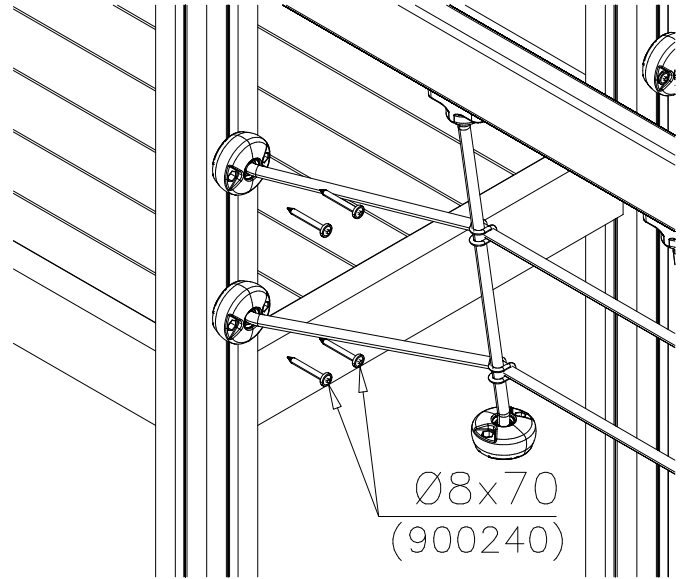
Note:
in side
Bridge



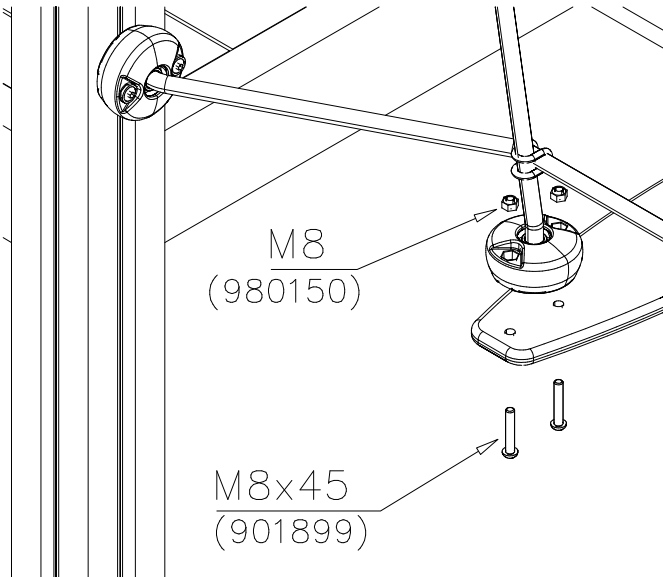
DET 3



DET 4

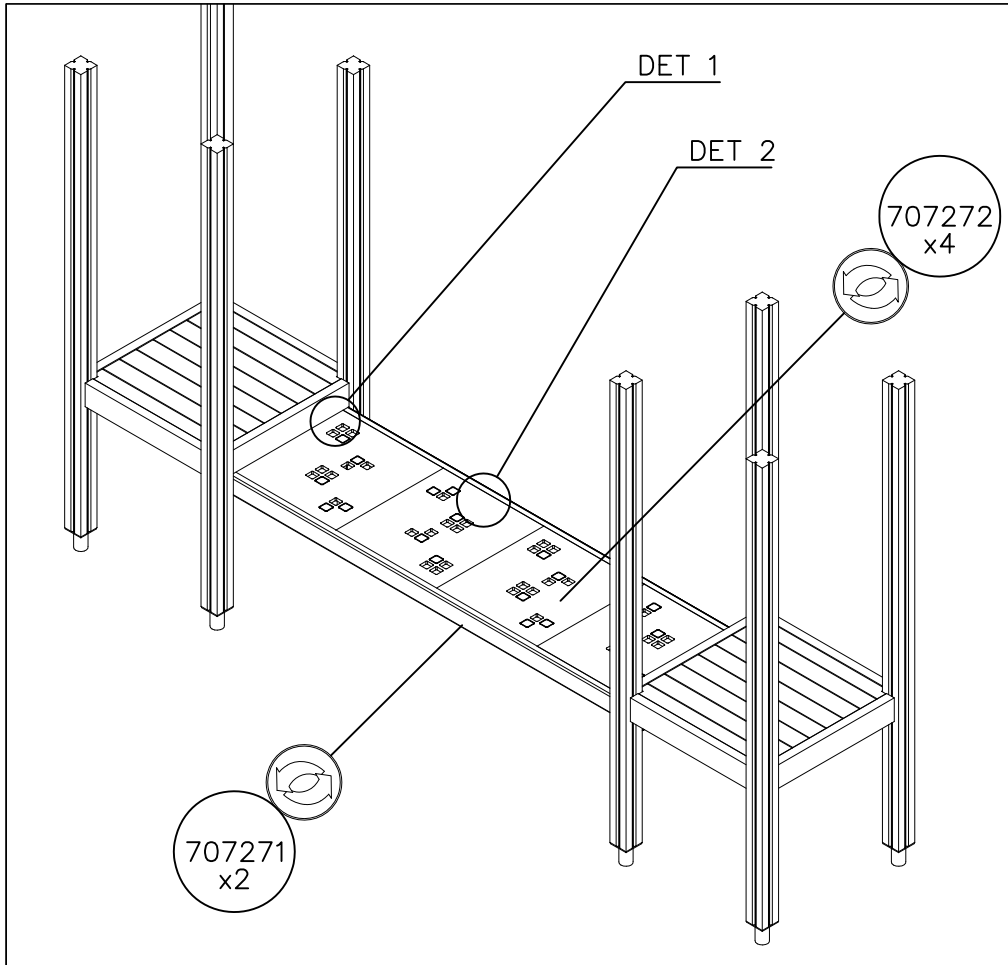


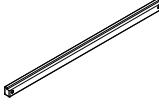
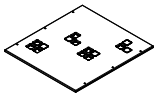

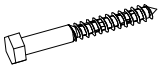
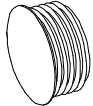

DET 5

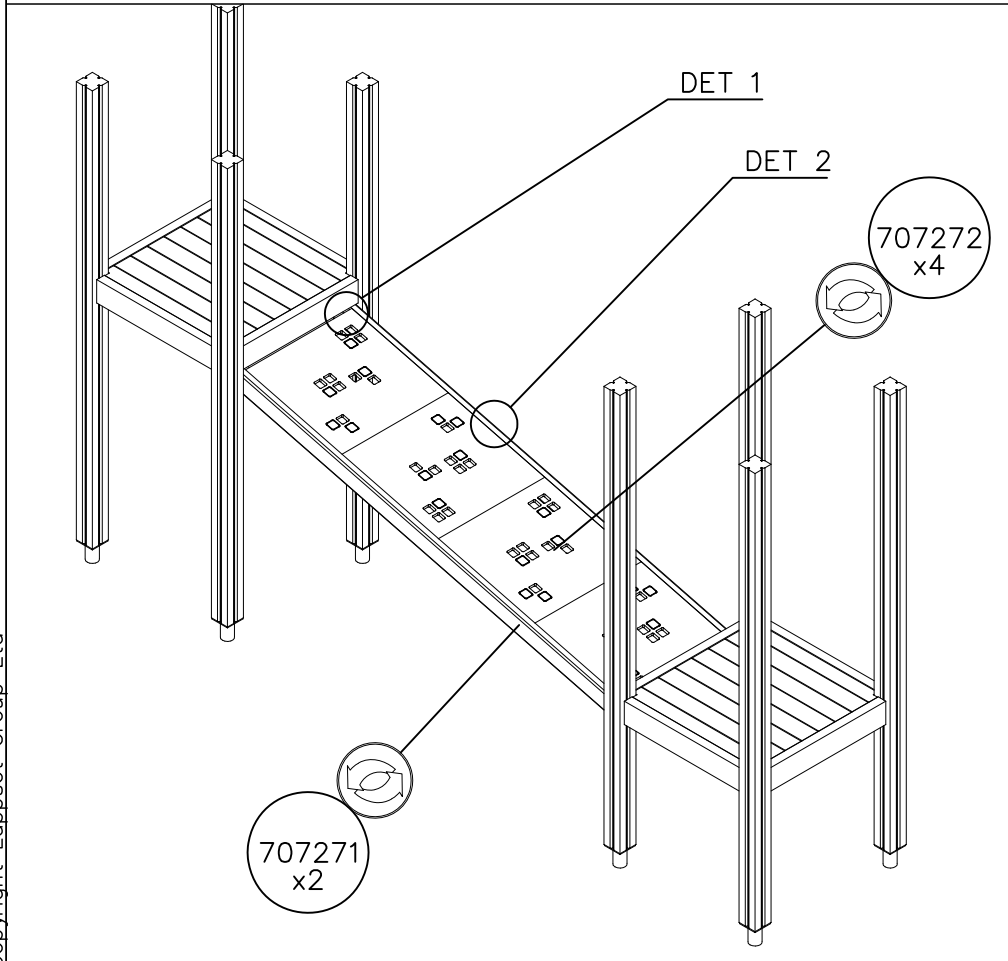


DET 6





| | | | |
|---|-----|---|-----|
| ① 707271 | PCS | ② 707272 | PCS |
|  | 2 |  | 4 |
| 70x95x2480 | | 15x630x590 | |
| ③ 980154 | PCS | ④ 909224 | PCS |
|  | 4 |  | 4 |
| Ø24/13 | | 12x100 | |
| ⑤ 905103 | PCS | ⑥ 980123 | PCS |
|  | 4 |  | 24 |
| PT-28/32-H | | Ø7x60 | |
| | PCS | | PCS |

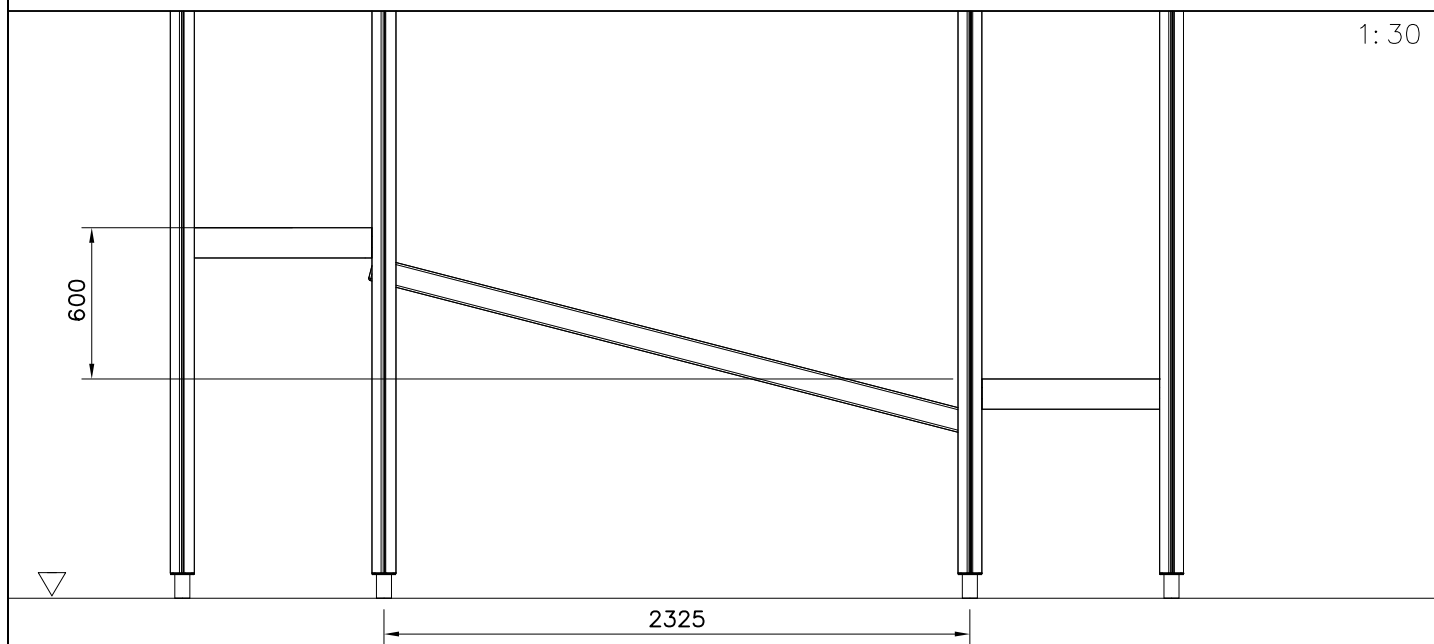


| | | | |
|--|-----|--|-----|
| | PCS | | PCS |
| | | | |
| | PCS | | PCS |
| | | | |
| | PCS | | PCS |
| | | | |
| | PCS | | PCS |
| | | | |



1:30

2400



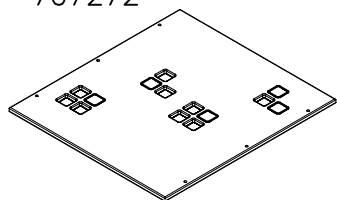
1:30

600

2325

PLATE OPTIONS

707272



15x630x590

- 707272-701 BLUE
- 707272-702 YELLOW
- 707272-703 LIME
- 707272-704 DARK GRAY
- 707272-705 GRAY
- 707272-706 RED

- 707272-707 GREEN
- 707272-708 FUXIA

BOOM OPTIONS

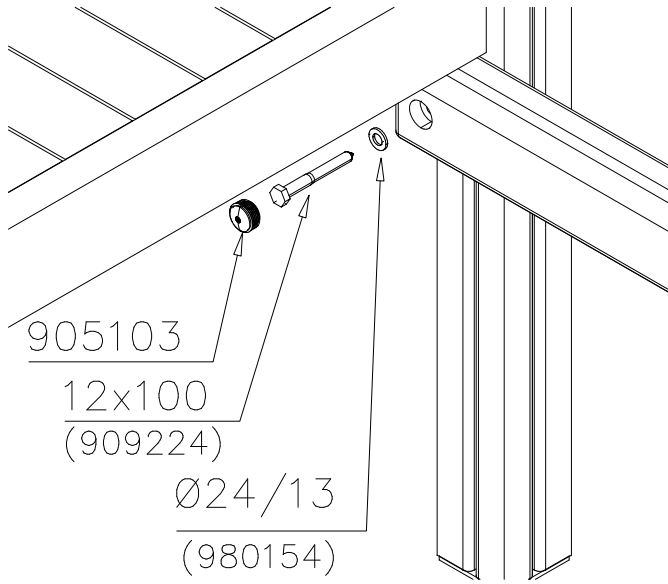
707271



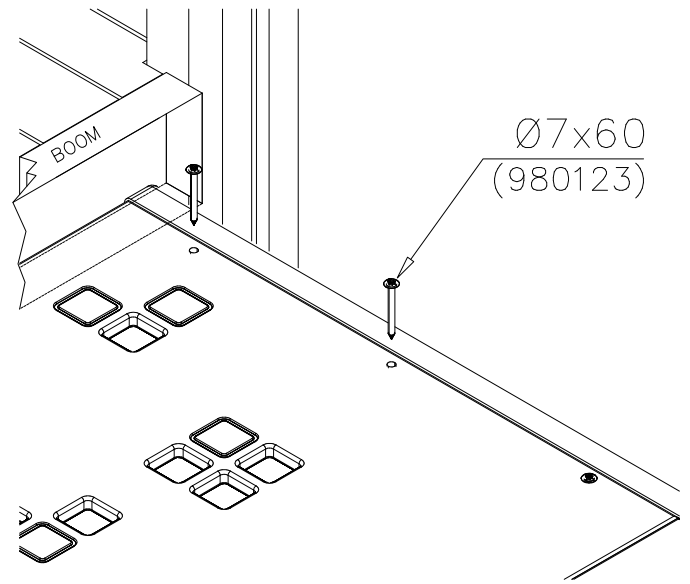
70x95x2480

- 707271-602 DARK BROWN
- 707271-603 LIGHT BROWN
- 707271-604 LIGHT GRAY

DET 1



DET 2



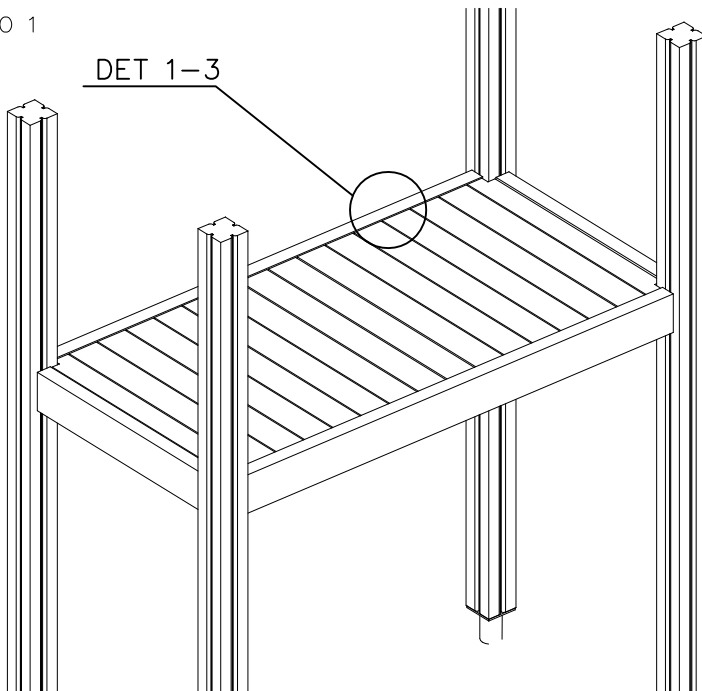
DET 3

DET 4

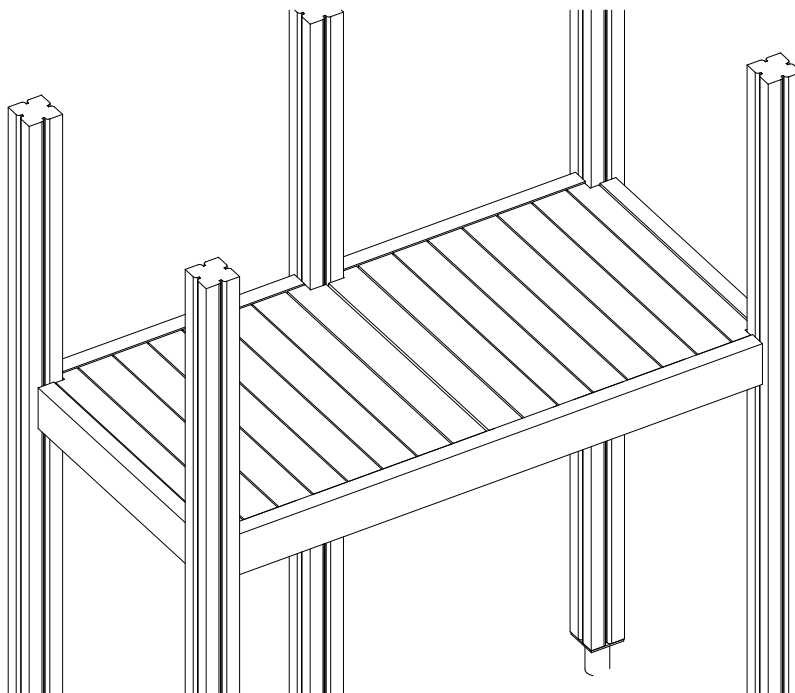
DET 5



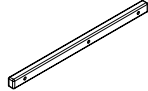


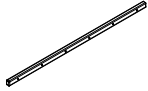

DET 6

OPTIO 1

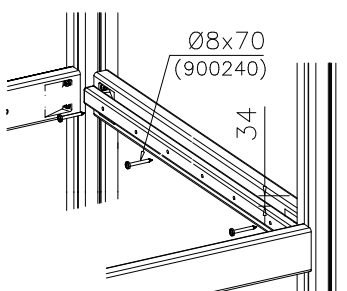


OPTIO 2



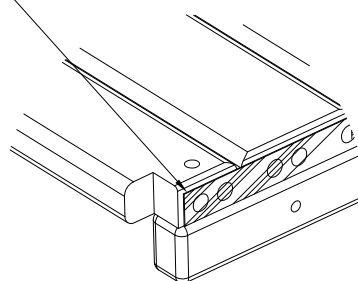
| | | | |
|---|-----------|---|-----------|
| ① 900240 | PCS 12 | ② 980101 | PCS 16 |
|  | |  | |
| Ø8x70 | | Ø4.5x70 | |
| | PCS | | PCS |
| | | | |
| | PCS | | PCS |
| | | | |
| ○ 706443 | PCS | ○ 707435 | PCS |
|  | |  | |
| 32x45x702 | | 750x770 | |
| ○ 707436 | PCS | ○ 707437 | PCS |
|  | |  | |
| 750x770 | | 32x45x1502 | |
| | PCS | ○ 707441 | PCS |
| | |  | |
| | | 750x770 | |

DET 1

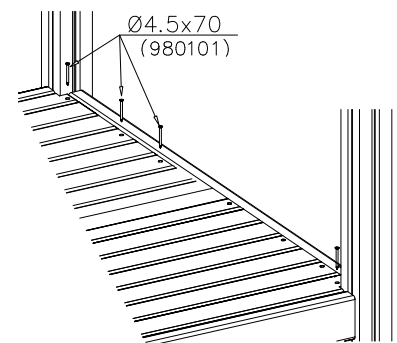


DET 2

Naulanauha kannatinlistan puolelle.
Nail list to the bottom.



DET 3

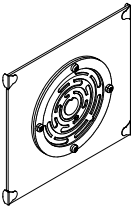
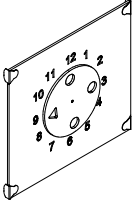
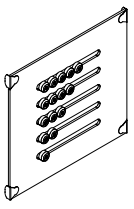
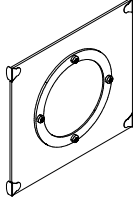
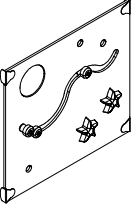
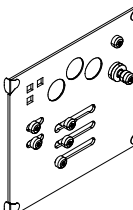
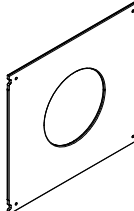
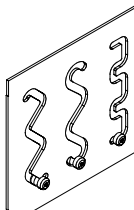
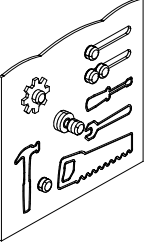
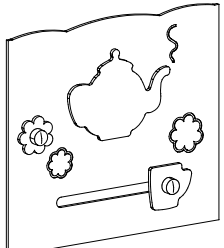
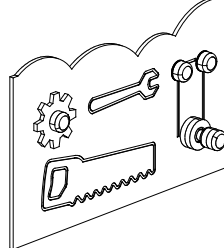


| | | | |
|-------------|-----|----------|-----|
| ① 903176 | PCS | ② 909850 | PCS |
| | 4 | | 4 |
| | | M8x25 | |
| ③ 909256 | PCS | ④ 909633 | PCS |
| | 8 | | 4 |
| Ø16/8.4x1.6 | | M8 | |
| ⑤ 980123 | PCS | | PCS |
| | 4 | | |
| Ø7x60 | | | |

***Note:**
No gaps between:
8–25mm
89–230mm

| COLOR OPTIONS | |
|---------------|------------|
| -701 | BLUE |
| -702 | YELLOW |
| -703 | LIME |
| -704 | DARK GRAY |
| -705 | LIGHT GRAY |
| -706 | RED |
| -707 | GREEN |
| -708 | FUXIA |

GAME WALL OPTIONS

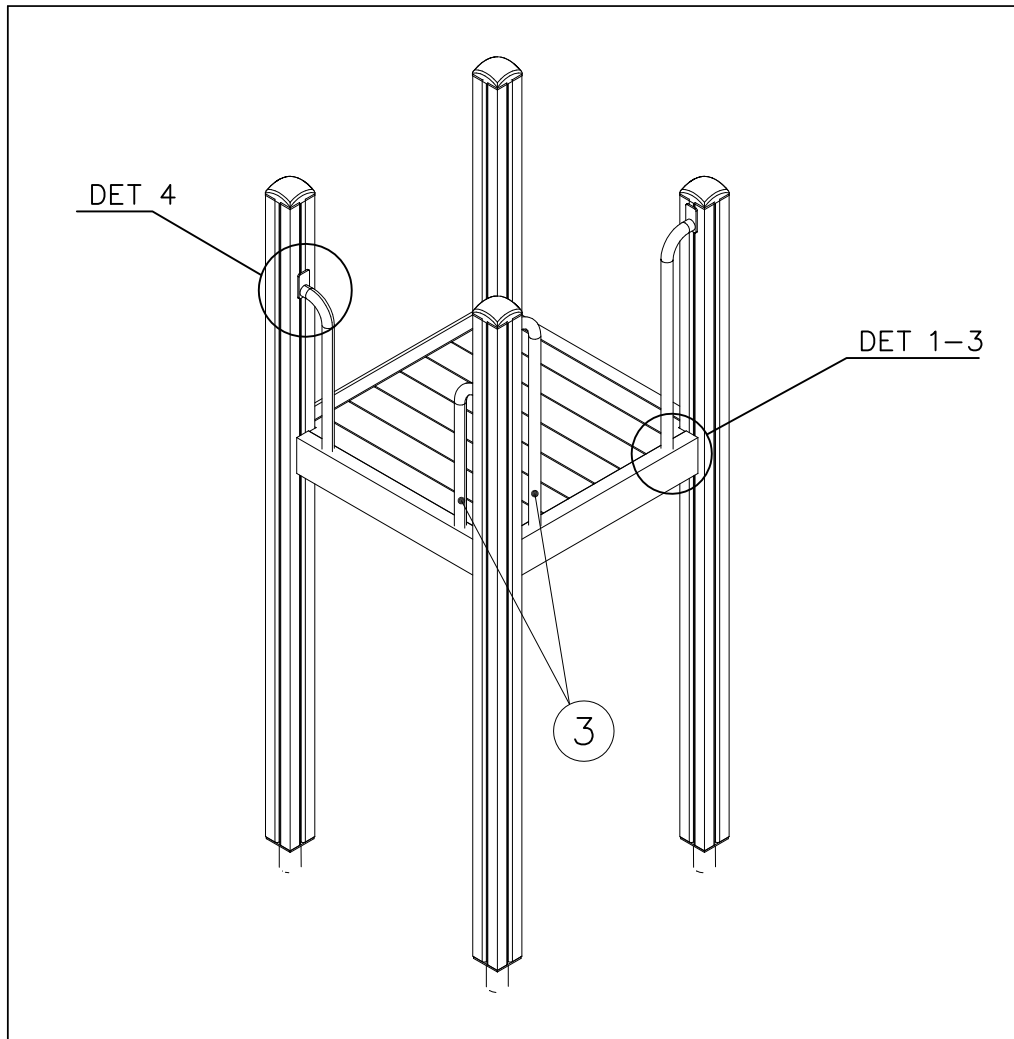
| | | | |
|---|---|--|--|
| 706766 | 706772 | 706308 | 707453 |
|  |  |  |  |
| 640x702 | 640x702 | 640x702 | 640x702 |
| 707209 | 705705 | 707433 | 707386 |
|  |  |  |  |
| 640x702 | 640x702 | 640x702 | 640x702 |
| 709403 | 709358 | 709405 | |
|  |  |  | |
| 640x702 | 640x702 | 420x702 | |

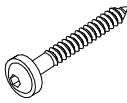



DET 1

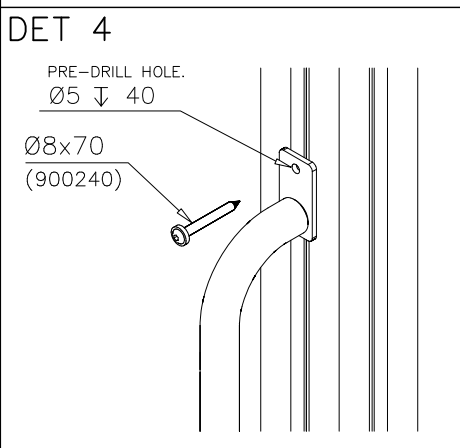
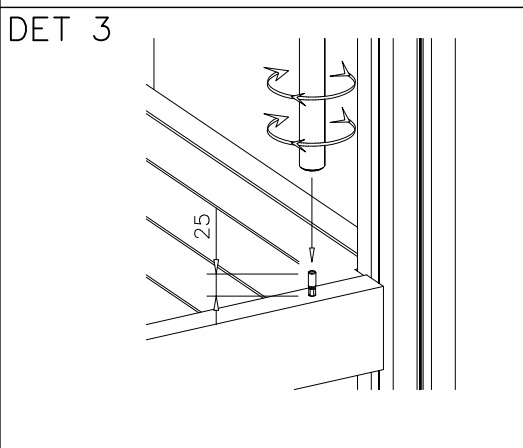
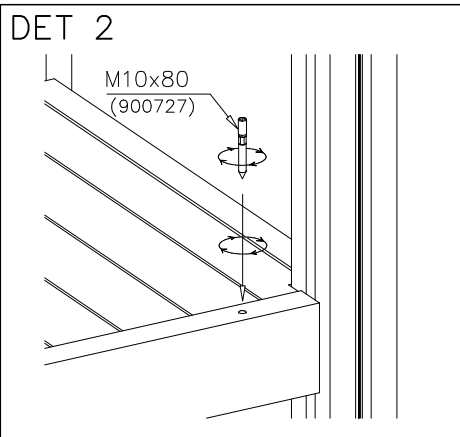
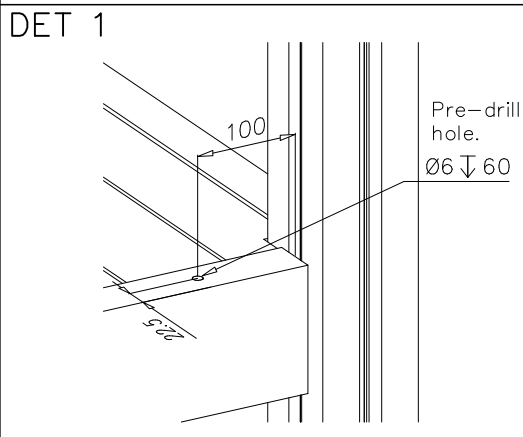


DET 2





| | | | |
|---|-----|---|-----|
| ① 900240 | PCS | ② 900727 | PCS |
|  | 1 |  | 1 |
| Ø8x70 | | M10x80 | |
| | PCS | | PCS |
| | | | |
| | | | |
| ③ 907688 | PCS | ③ 907701 | PCS |
|  | 1 |  | 1 |
| 765 | | 545 | |
| | PCS | | PCS |
| | | | |
| | | | |
| | PCS | | PCS |
| | | | |
| | | | |
| | | | |
| | PCS | | PCS |
| | | | |
| | | | |
| | | | |
| | PCS | | PCS |
| | | | |
| | | | |





Tuotekyltti tulee tuotteen mukana yhdellä seuraavista tavoista:

1) Metallinen tuotekyltti ja kiinnitysruuvit

- Kiinnitä tuotekyltti ruuveilla tolppaan noin 2 metrin korkeuteen kuvan 1 mukaisesti.

2) Tuotekylttitarra

- Puhdista maalattu metalli- tai vaneripinta pölystä ja kosteudesta. Liimaa tarra kuvan 2 mukaisesti.
- Huom. Älä kiinnitä tarraa karheapintaiseen laminaattiin tai maalattuun puuhun.

Vår produktmärkning levereras på ett av följande sätt:

1) Produktskylt i metall

- Fäst skylten med de medföljande skruvarna

2) Självhäftande produktetikett

- Rengör den pulverlackerade metallytan eller laminatyten så att den blir fri från smuts och fukt. Fäst etiketten enligt fig. 2.
- Obs! Fäst ej etiketten på detaljer med skrovlig yta eller på målat trä.

Product label is delivered by one of following ways:

1) Metal product label and screws

- Fasten the label with screws.

2) Label sticker

- Clean the painted metal or plywood surface from dirt and moisture. Fasten the sticker as shown in the figure 2.
- Note. Do not attach the sticker to rough surfaced laminate or painted wood.

La plaque d'informations produit est livrée sous l'une de ces 3 formes :

1) Plaque métallique et vis

- Fixez la plaque à l'aide des vis.

2) Etiquette autocollante

- Avant de coller l'étiquette, nettoyez le composant métallique peint ou la plaque de contreplaqué, de toute saleté. La surface doit être sèche (voir image 2).
- Attention, ne pas coller l'étiquette sur une surface lamellé-collée irrégulière ou sur du bois peint.

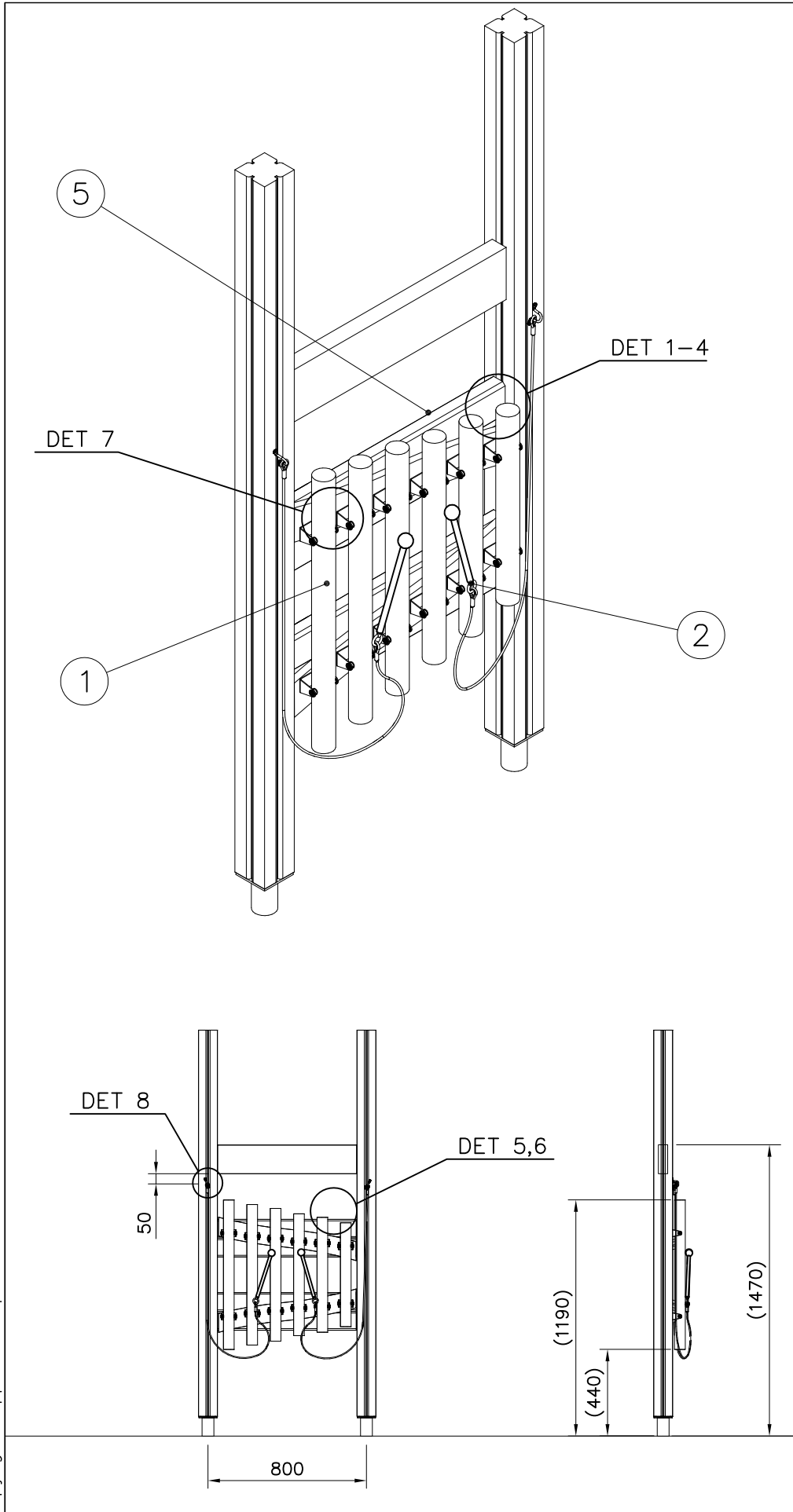
Die Auslieferung des Produktaufklebers erfolgt auf eine dieser Arten:

1) Produkt-Schild aus Metall incl. Schrauben

- Die Befestigung des Schildes erfolgt mittels der Schrauben.

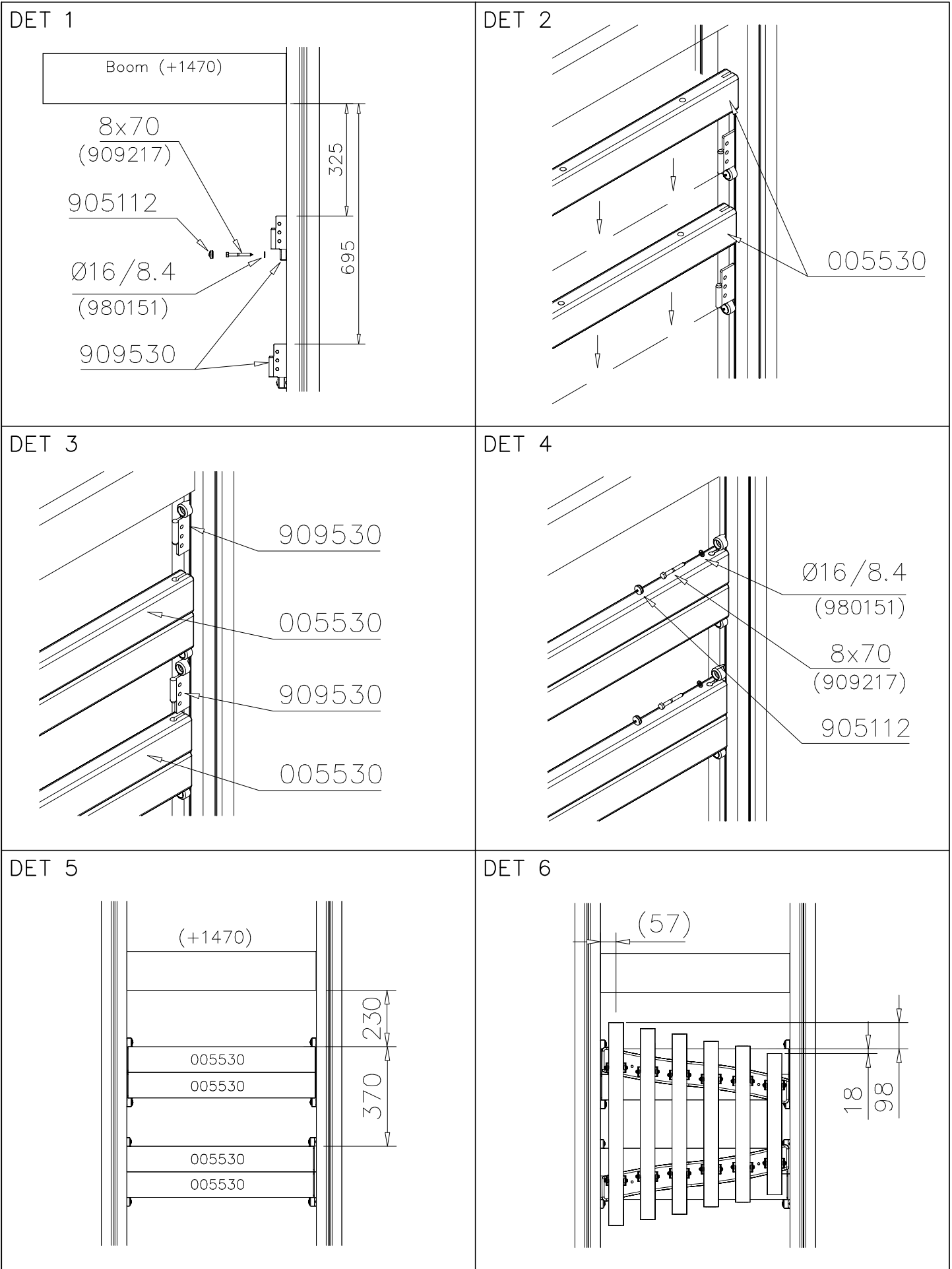
2) Aufkleber

- Entfernen Sie zunächst Schmutz und Feuchtigkeit vom lackierten Metall bzw. von der Holzoberfläche und bringen Sie den Aufkleber wie im Bild oben rechts beschrieben auf den gesäuberten Untergrund auf.
- Beachten Sie: Bringen Sie den Aufkleber nicht auf raues laminiertes oder lackiertes Holz an.

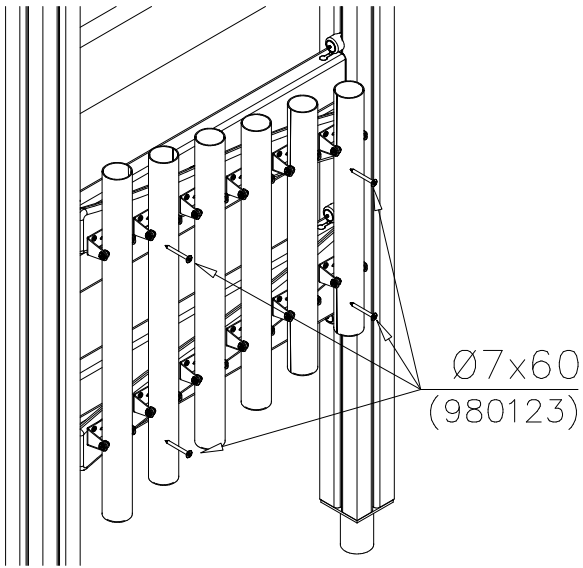


906328

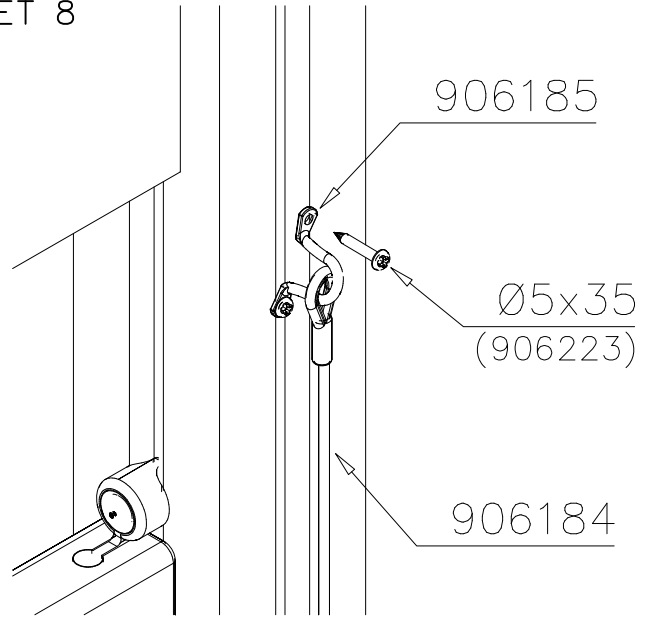
| | | | |
|----------------|----------|---------|----------|
| | PCS 1 | | PCS 2 |
| | PCS 2 | | PCS 4 |
| | | Ø5x35 | |
| | PCS 4 | | PCS 8 |
| 701x95x45 | | 8x70 | |
| | PCS 8 | | PCS 8 |
| 5.5x55.9x127.5 | | Ø22 | |
| | PCS 4 | | PCS 8 |
| Ø7x60 | | Ø16/8.4 | |

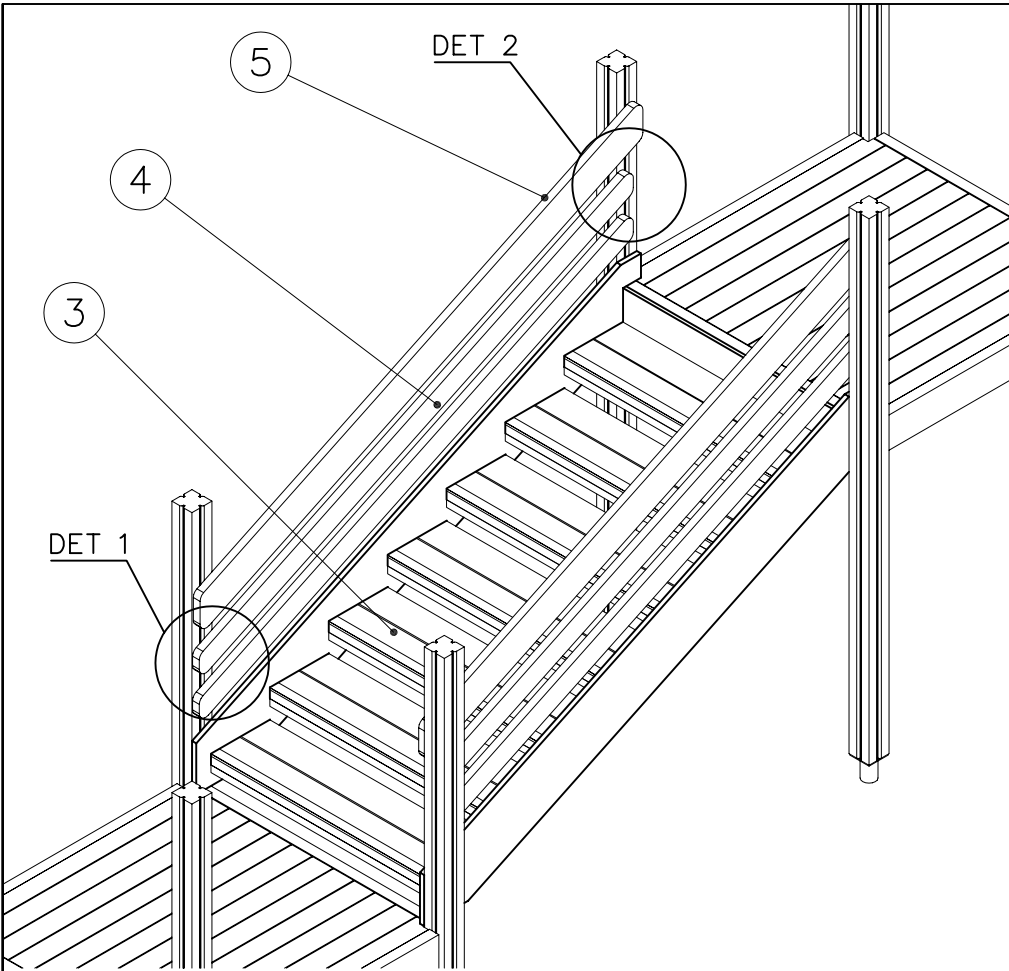


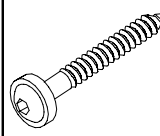

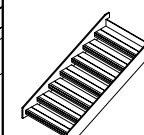

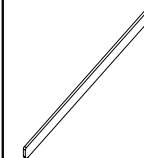
DET 7

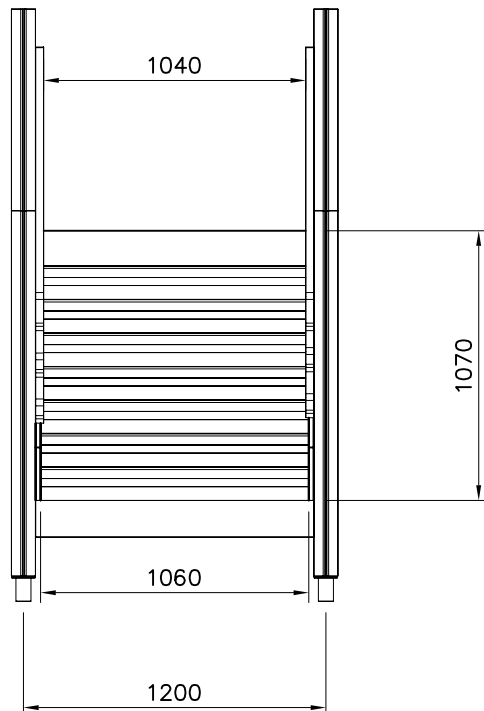


DET 8

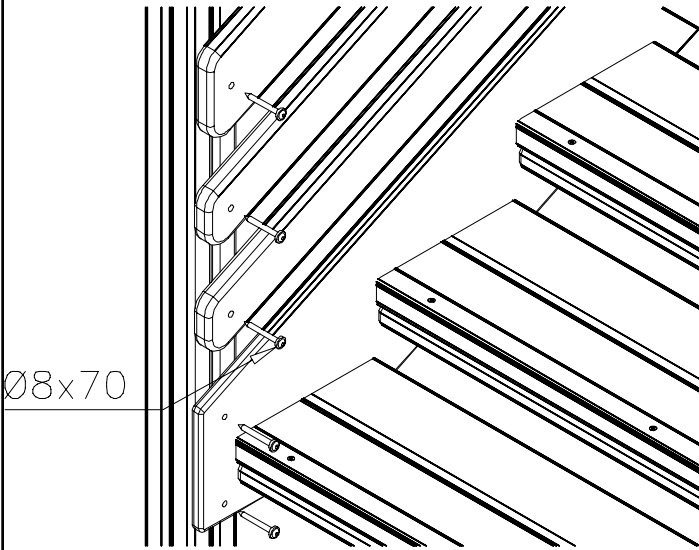




| | | | |
|---|-----|---|-----|
| ① 900240 | PCS | ② 980128 | PCS |
|  | 20 |  | 4 |
| Ø8x70 | | Ø7x40 | |
| ③ P01155 | PCS | ④ P01158 | PCS |
|  | 1 |  | 4 |
| | | 32x95x2345 | |
| ⑤ P01159 | PCS | | PCS |
|  | 2 | | |
| 32x145x2365 | | | |
| | PCS | | PCS |
| | | | |
| | PCS | | PCS |
| | | | |
| | PCS | | PCS |
| | | | |
| | PCS | | PCS |
| | | | |
| | PCS | | PCS |
| | | | |



DET 1



DET 2

