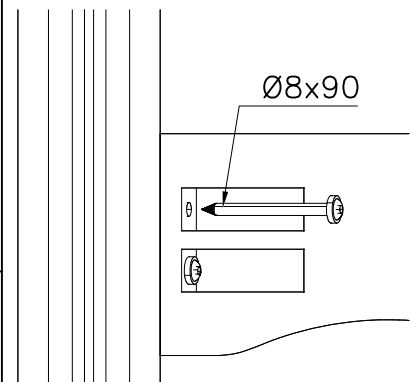
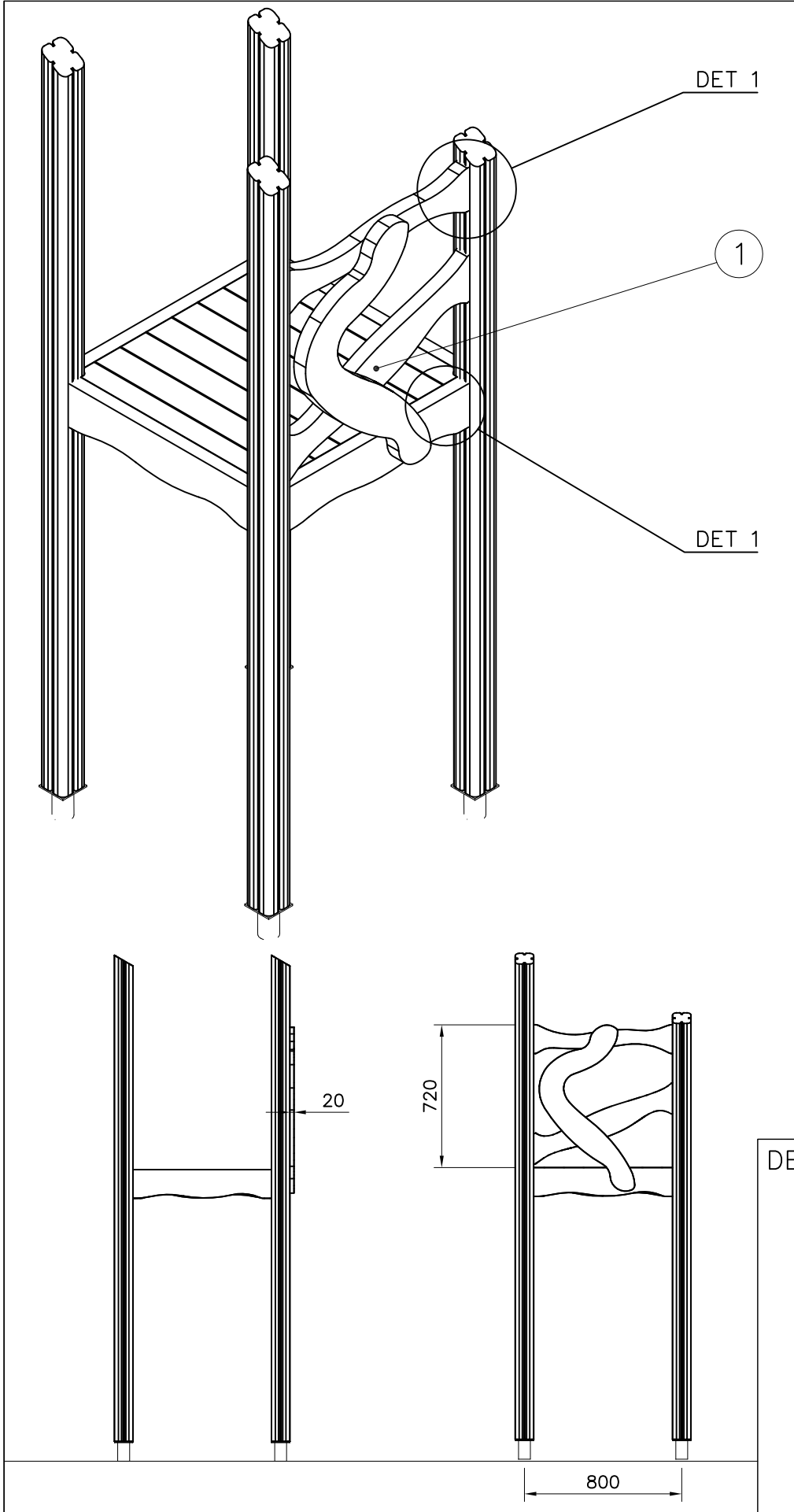
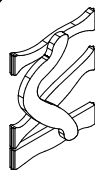
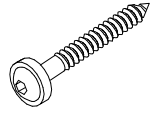


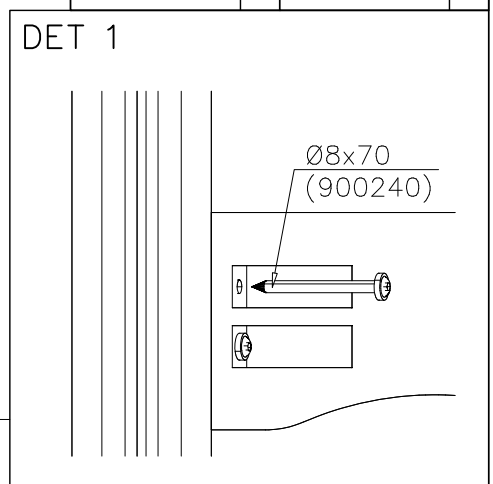
| | | | |
|----------|-----|----------|-----|
| ① 705210 | PCS | ② 903093 | PCS |
| | 1 | | 8 |
| | | Ø8x90 | |
| | PCS | | PCS |
| | | | |
| | PCS | | PCS |
| | | | |
| | PCS | | PCS |
| | | | |
| | PCS | | PCS |
| | | | |

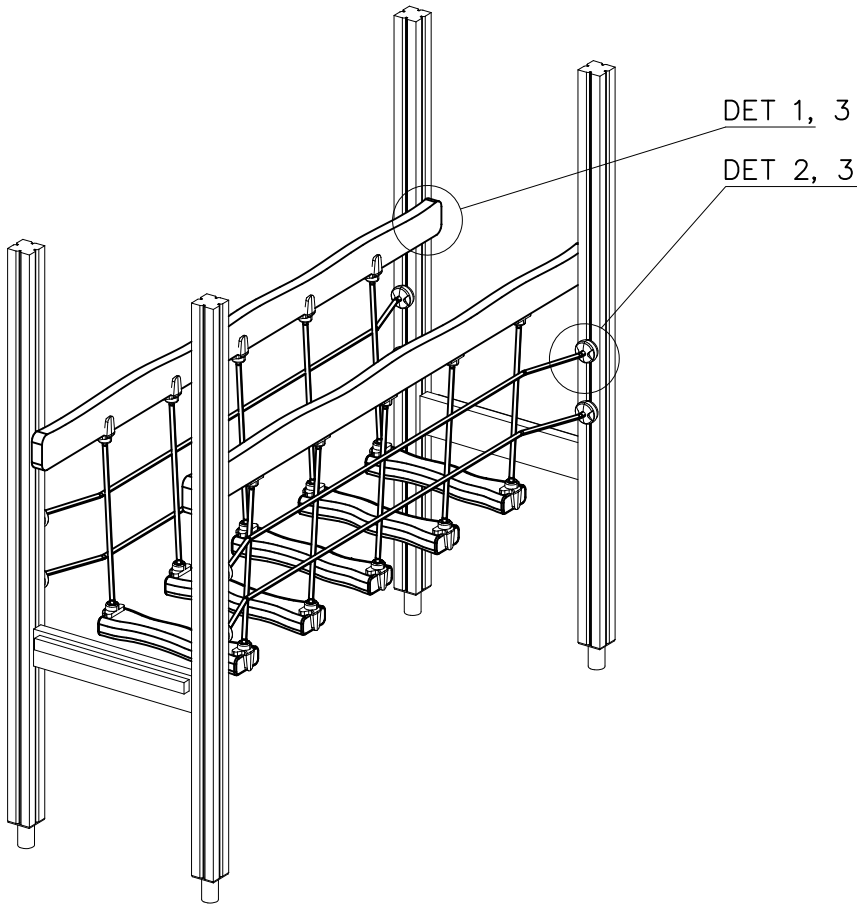
DET 1

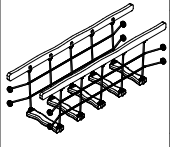
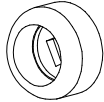






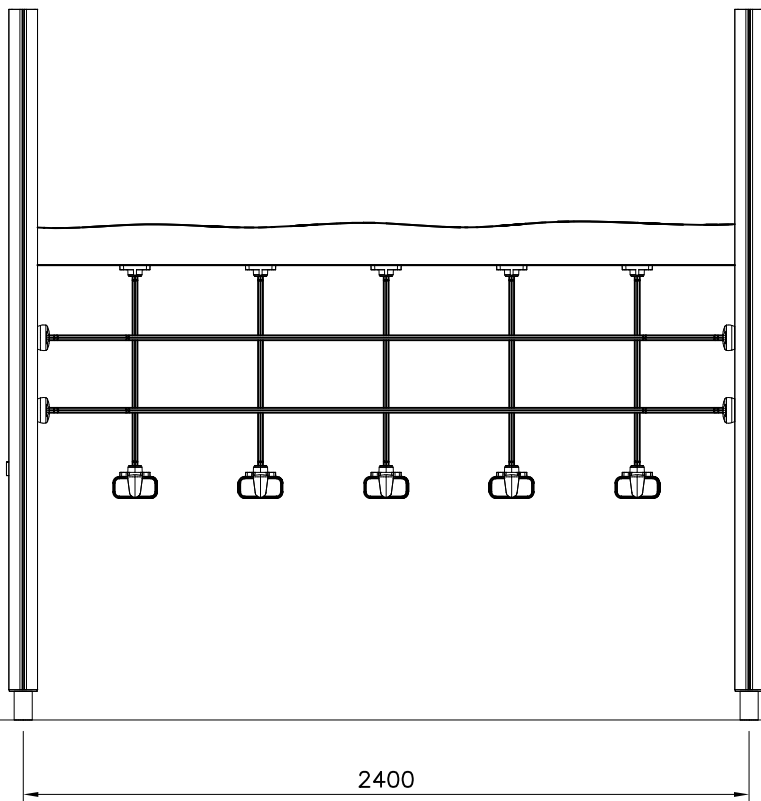
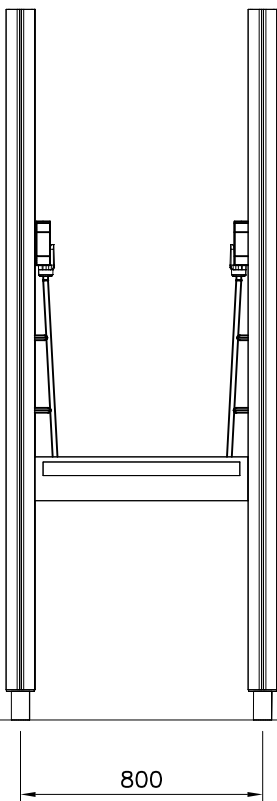


| | | | |
|---|-----|---|-----|
| ① 705215 | PCS | ② 900240 | PCS |
| | 1 | | 8 |
|  | |  | |
| | | Ø8x70 | |
| | PCS | | PCS |
| | | | |
| | PCS | | PCS |
| | | | |
| | PCS | | PCS |
| | | | |
| | PCS | | PCS |
| | | | |
| | PCS | | PCS |
| | | | |

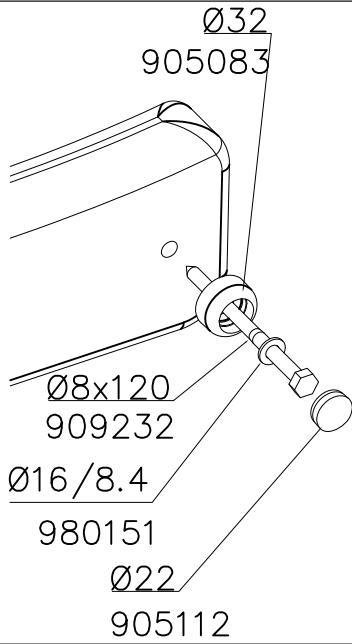




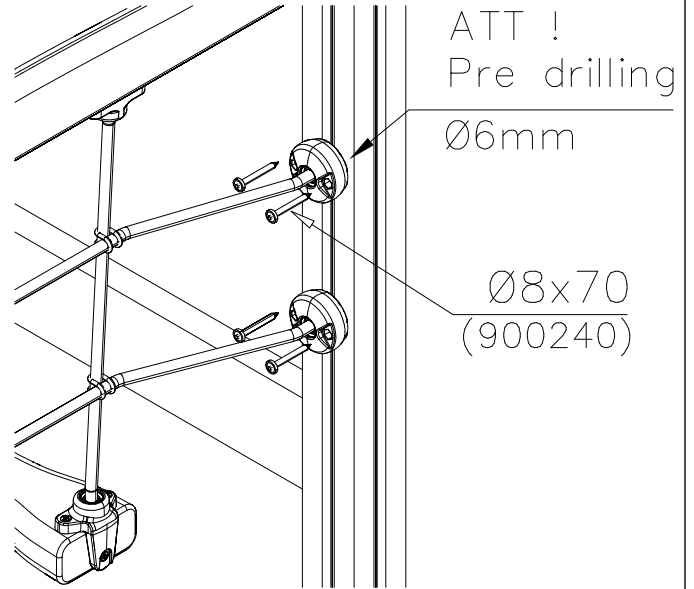
| | | | |
|---|-----|---|-----|
| ① 705248 | PCS | ② 905083 | PCS |
|  | 1 |  | 4 |
| | | Ø32 | |
| ③ 905112 | PCS | ④ 909232 | PCS |
|  | 4 |  | 4 |
| Ø22 | | Ø8x120 | |
| ⑤ 980151 | PCS | ⑥ 900240 | PCS |
|  | 4 |  | 16 |
| Ø16/8.4 | | Ø8x70 | |
| | PCS | | PCS |



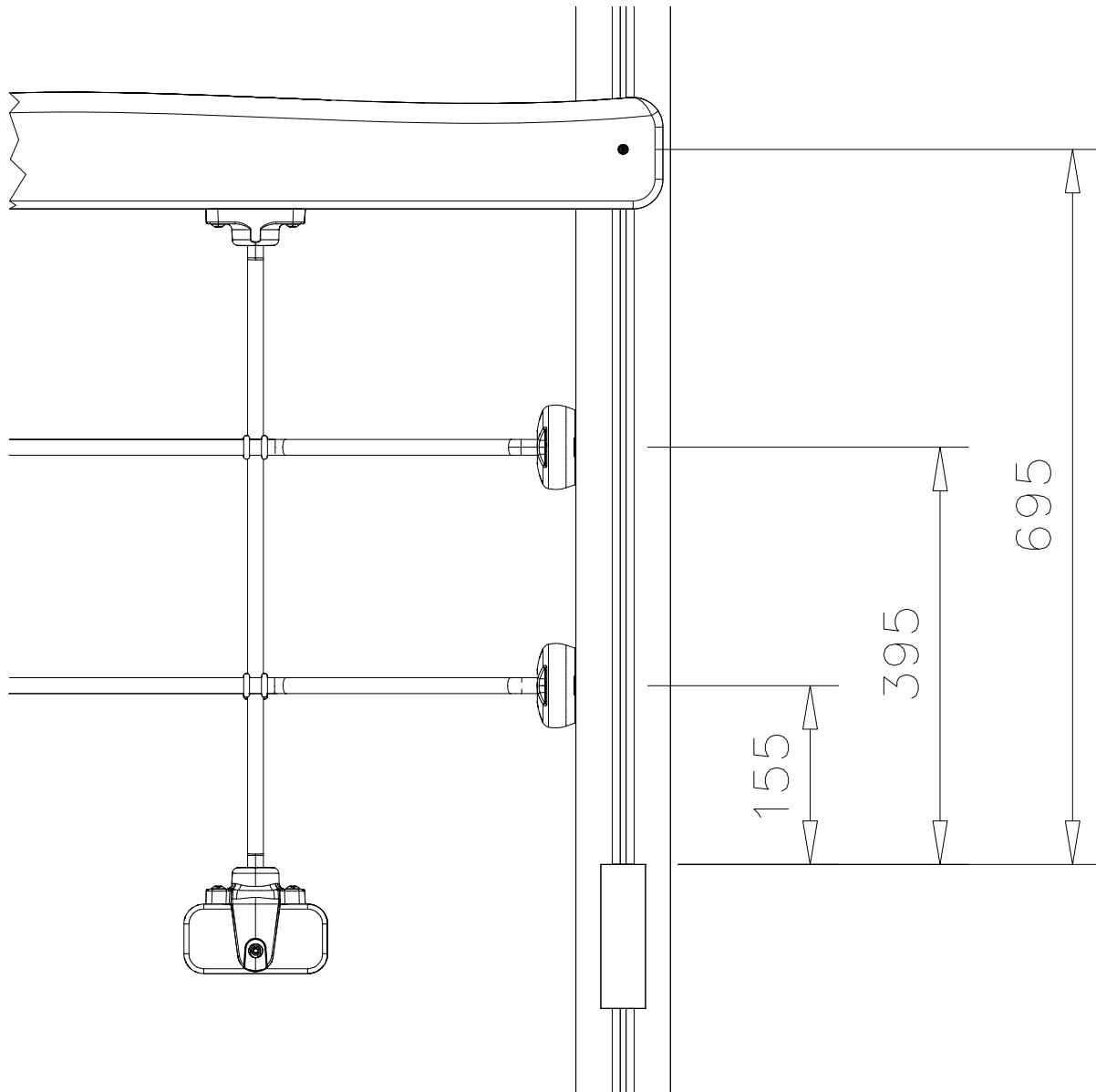
DET 1

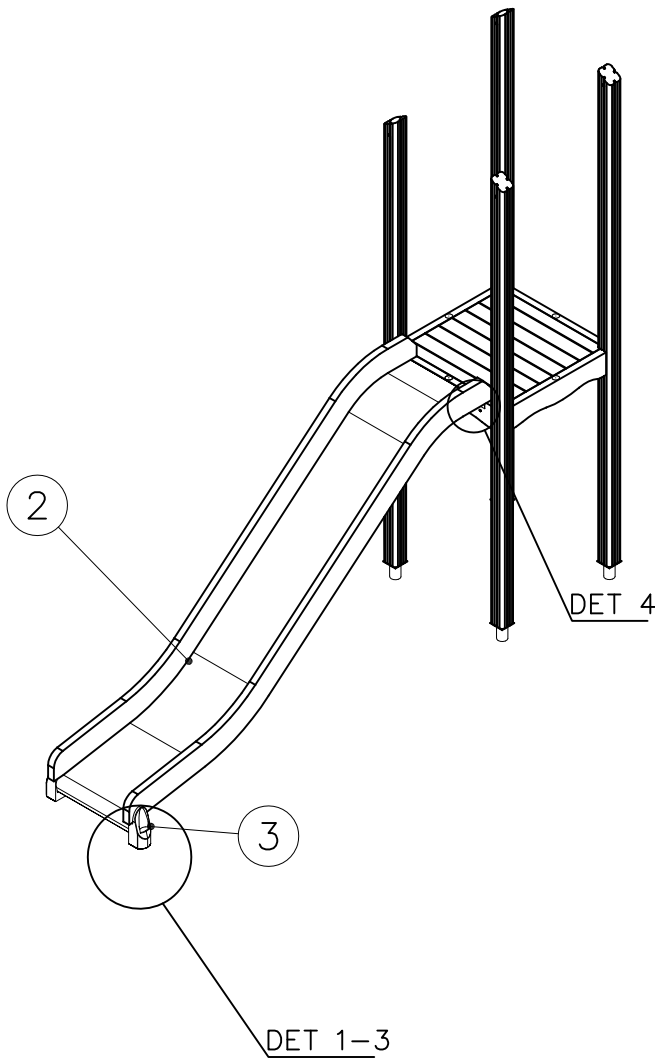


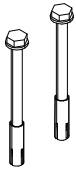


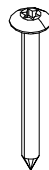
DET 2

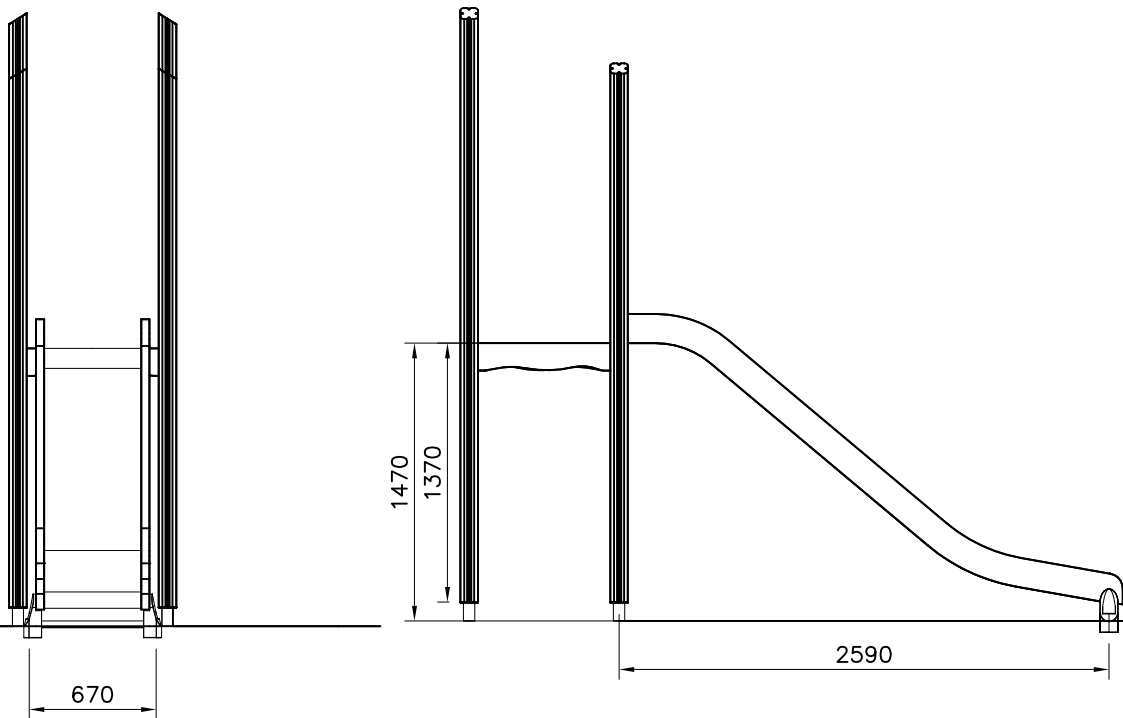


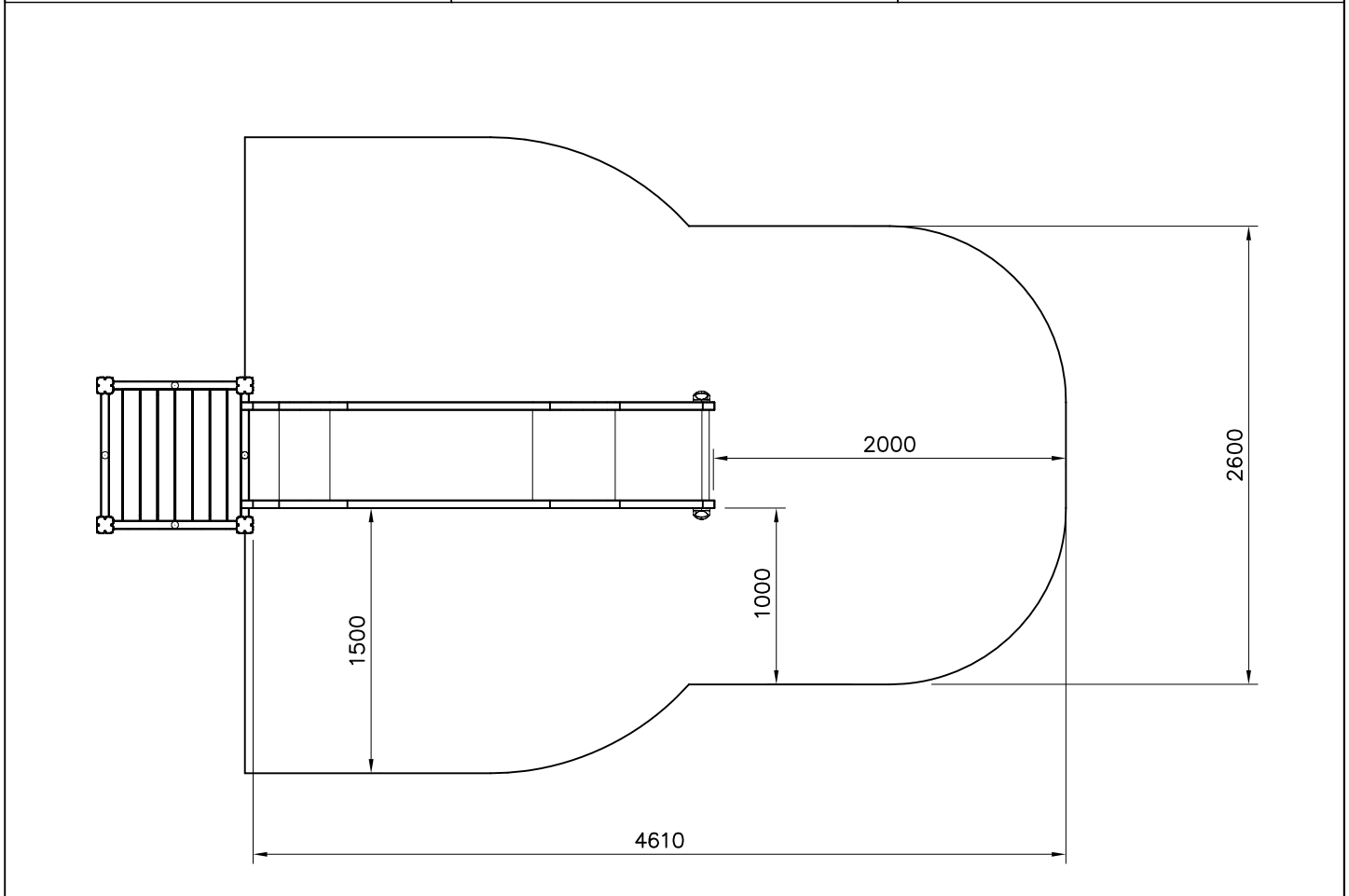
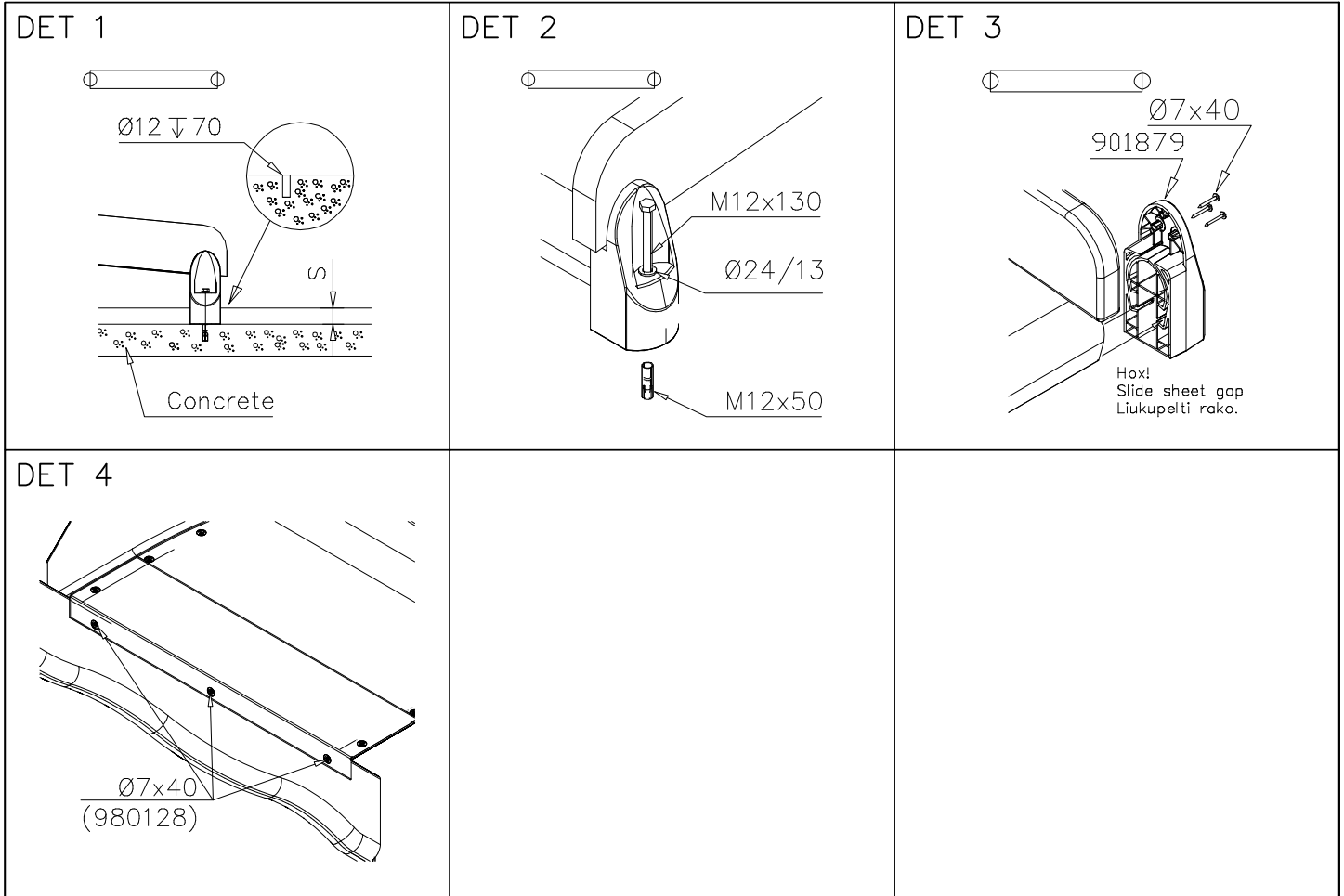
DET 3

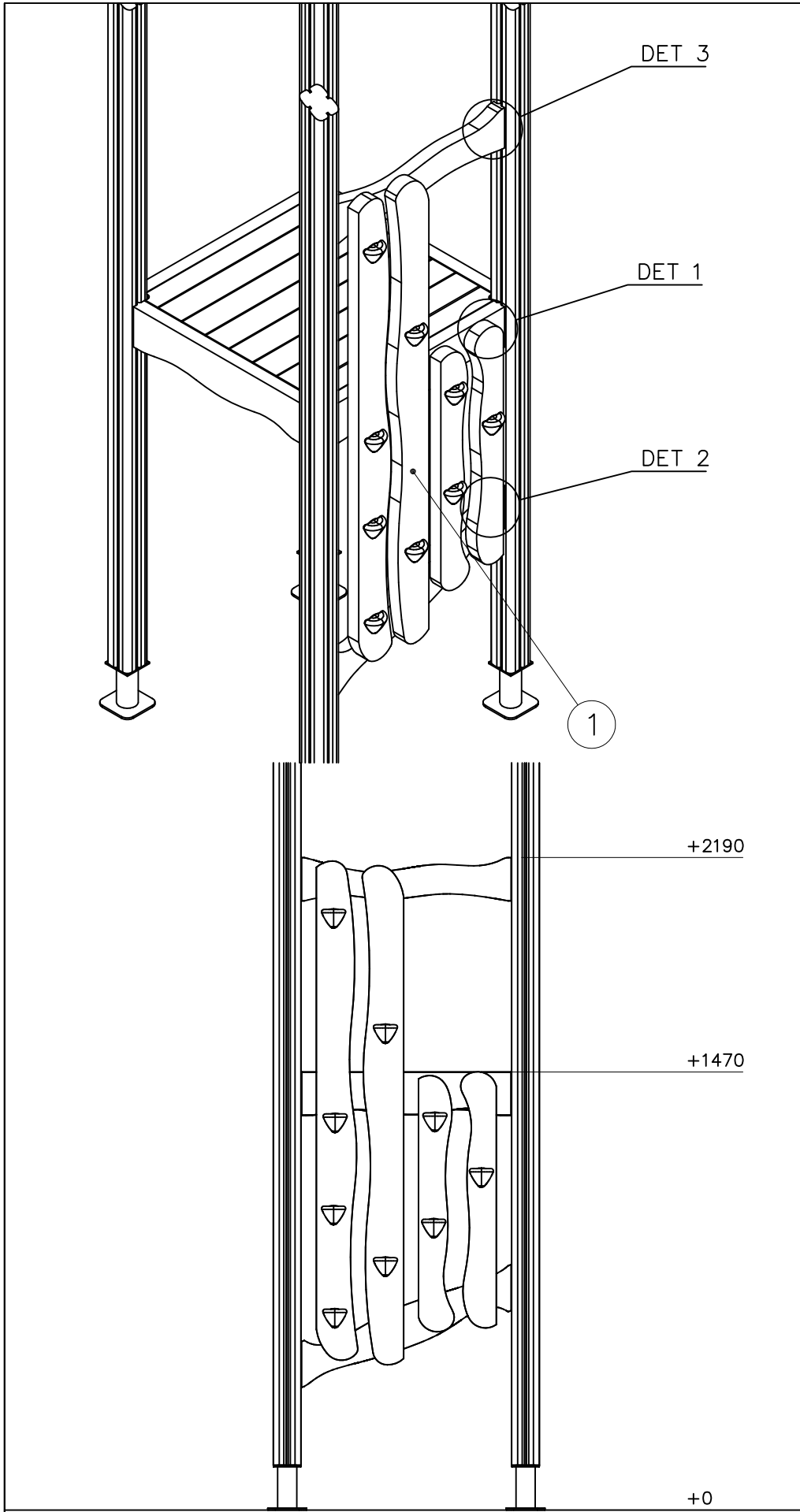


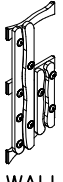
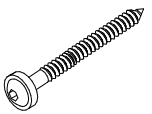


| | | | |
|---|-----|---|-----|
| ① 701929 | PCS | ② 705307 | PCS |
|  | 1 |  | 1 |
| ③ 901879 | PCS | ④ 980128 | PCS |
|  | 2 |  | 9 |
| | | Ø7x40 | |
| | PCS | | PCS |
| | | | |
| | PCS | | PCS |
| | | | |

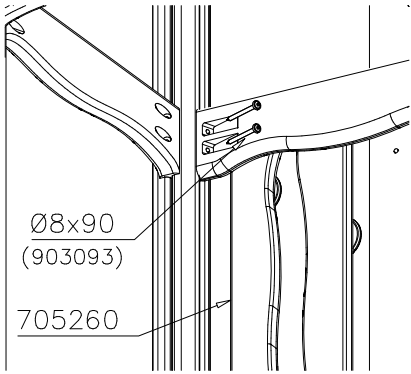




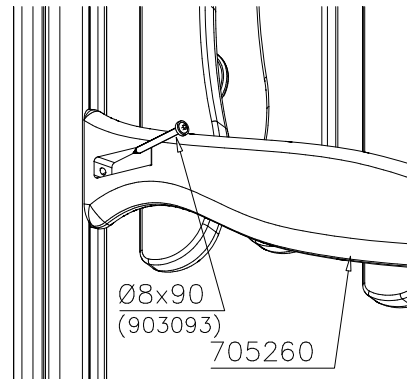


| | | | |
|---|-----|---|-----|
| ① 705260 | PCS | ② 903093 | PCS |
|  | 1 |  | 10 |
| WALL | | Ø8x90 | |
| | PCS | | PCS |
| | | | |
| | PCS | | PCS |
| | | | |
| | PCS | | PCS |
| | | | |
| | PCS | | PCS |
| | | | |
| | PCS | | PCS |
| | | | |
| | PCS | | PCS |
| | | | |

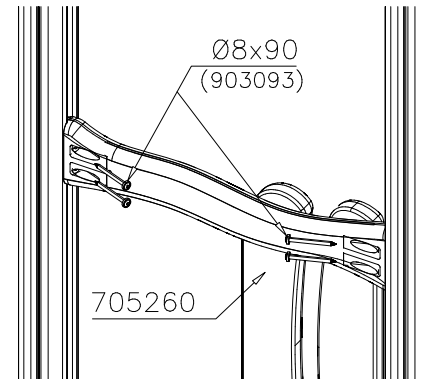
DET 1

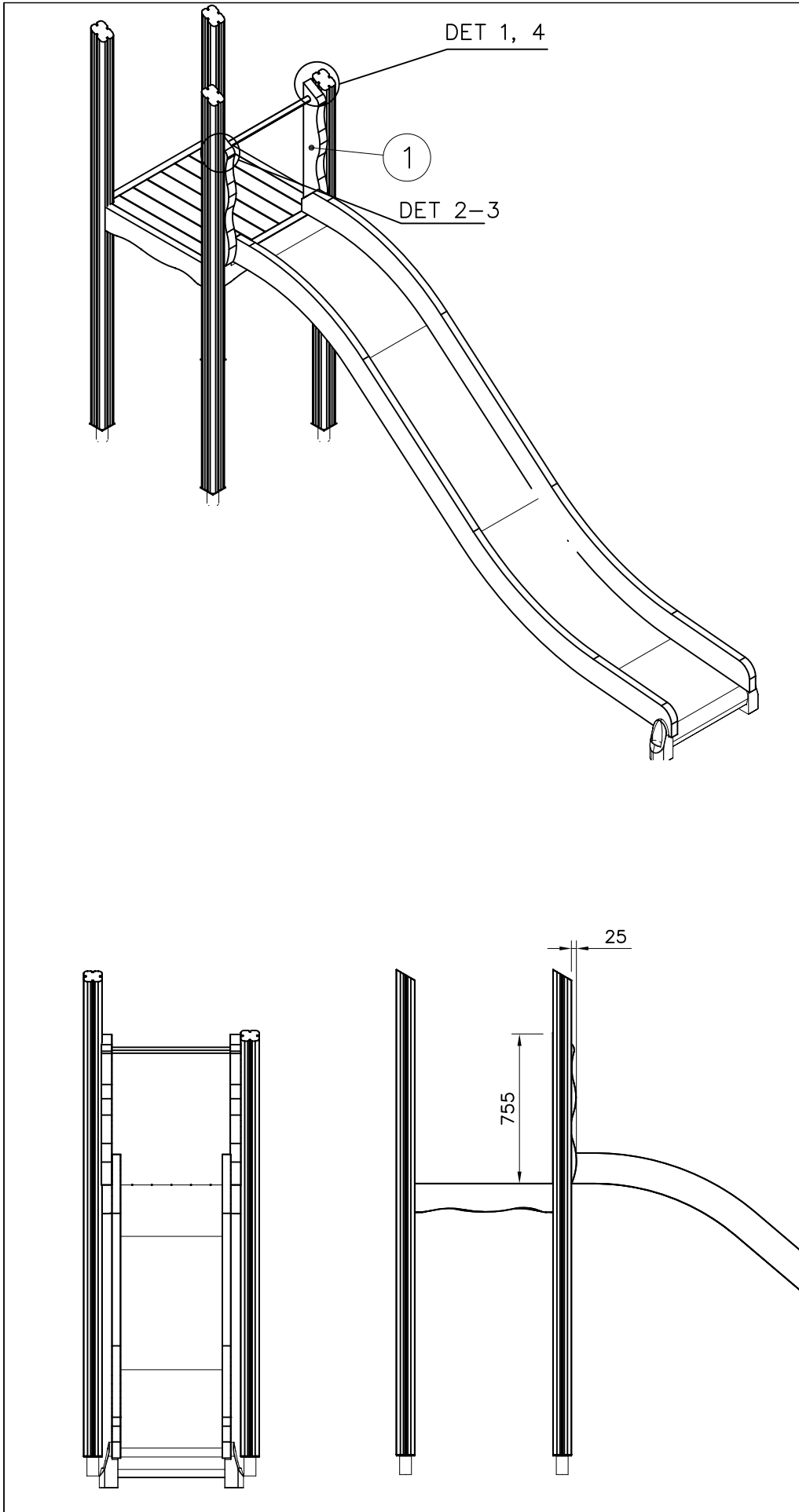



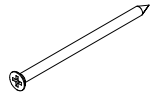
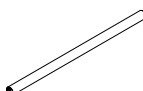
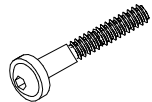

DET 2



DET 3





| | | | |
|---|-----|---|-----|
| ① 705245 | PCS | ② 980104 | PCS |
|  | 2 |  | 12 |
| 53x119x754 | | Ø5x90 | |
| ③ 901868 | PCS | ④ 909867 | PCS |
|  | 1 |  | 2 |
| Ø34x598 | | M8x70 | |
| ⑤ 999561 | PCS | | PCS |
|  | 1 | | |
| 10 g | | | |
| | PCS | | PCS |
| | | | |
| | PCS | | PCS |
| | | | |
| | PCS | | PCS |
| | | | |
| | PCS | | PCS |
| | | | |
| | PCS | | PCS |
| | | | |

DET 1

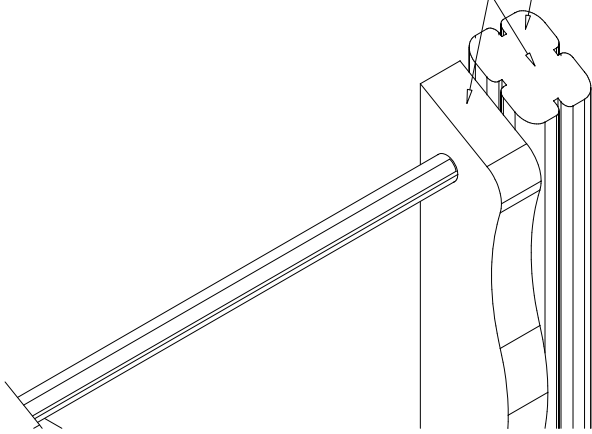
NOTE:

Chamfers of the pole and narrower must be mounted in the same direction.

HUOM:

Tolpan ja kaventajan viisteet täytyy asentaa saman suuntaan.

705221

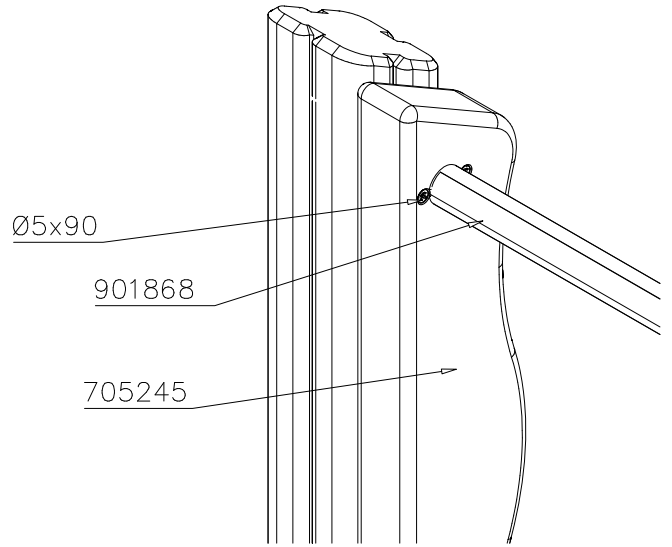


DET 2

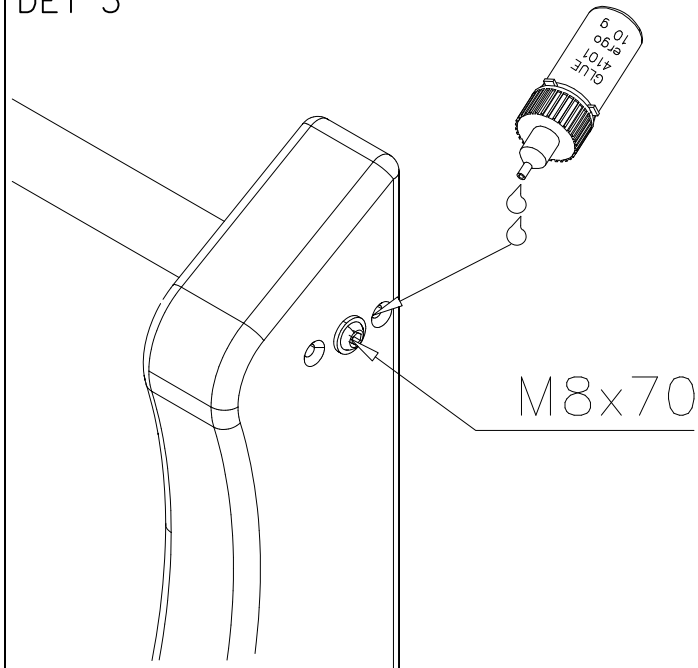
Ø5x90

901868

705245



DET 3

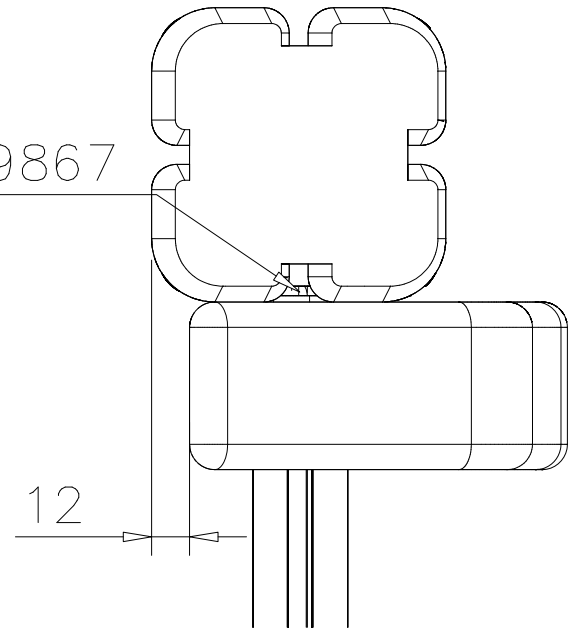


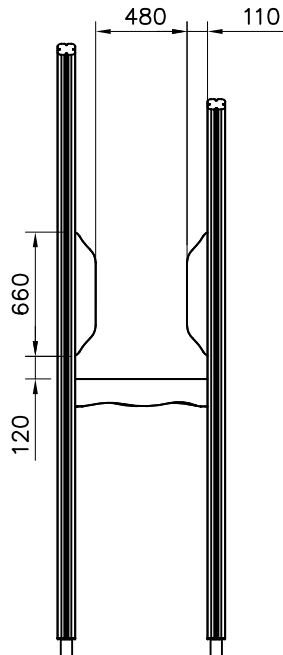
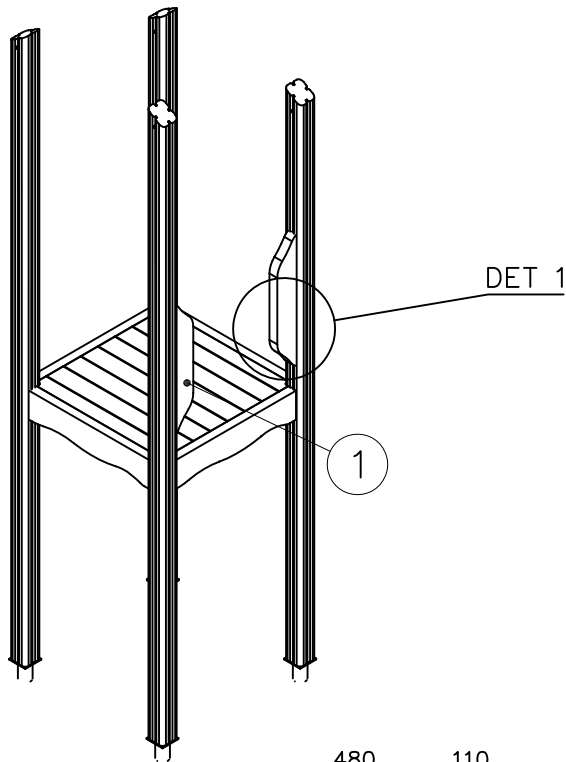
M8x70


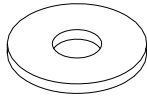

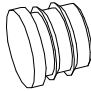
DET 4

909867

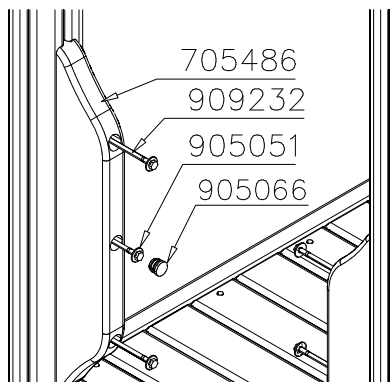
12

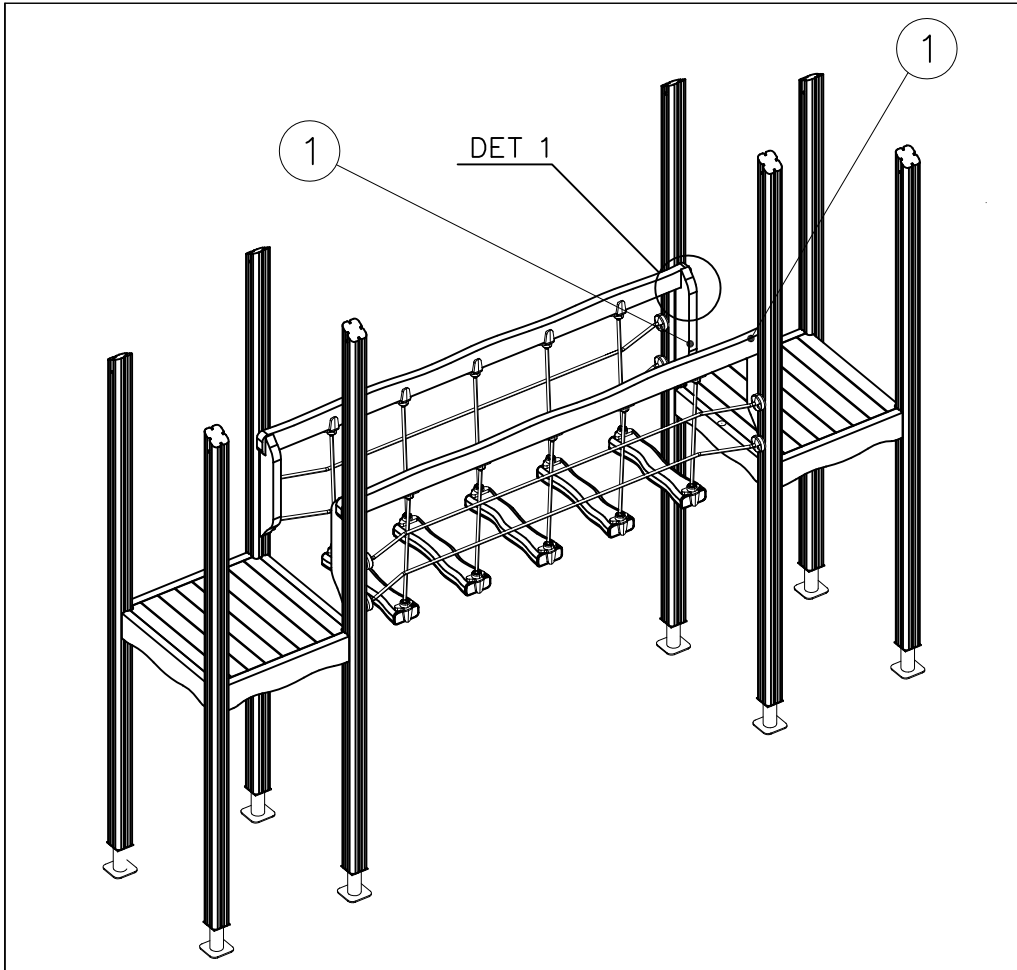




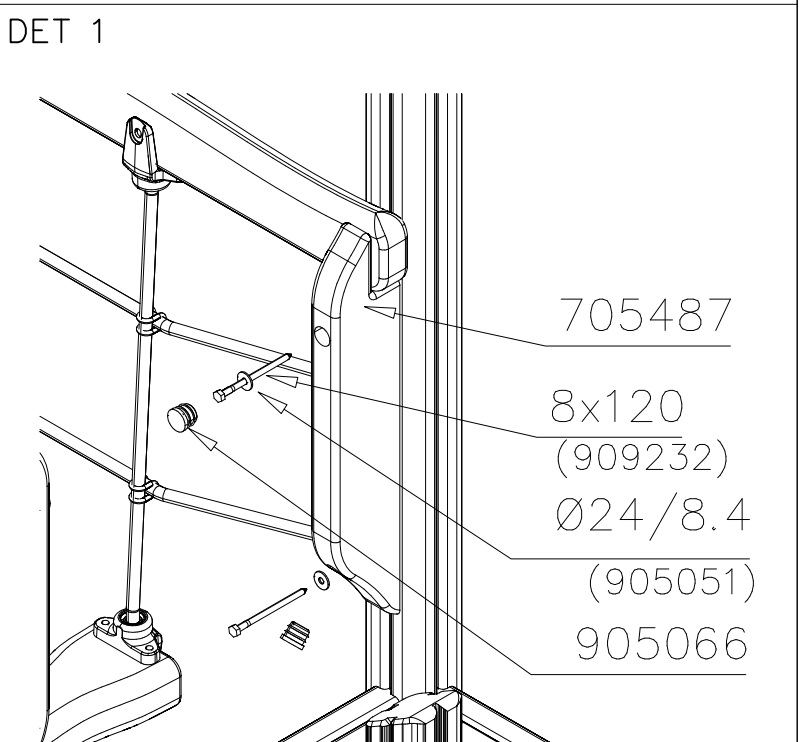
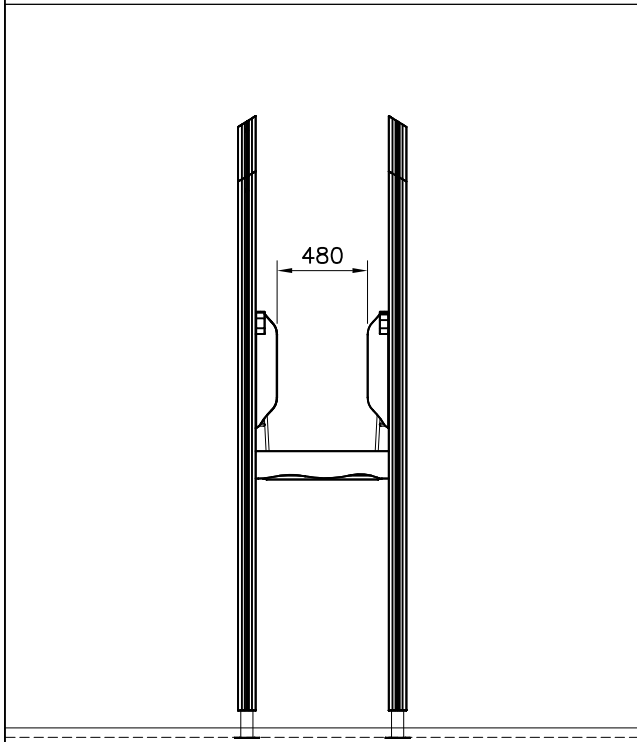
| | | | |
|---|-----|---|-----|
| ① 705486 | PCS | ② 905051 | PCS |
|  | 2 |  | 6 |
| 45x120x660 | | Ø24/8.4 | |
| ③ 909232 | PCS | ④ 905066 | PCS |
|  | 6 |  | 6 |
| 8x120 | | S30H | |
| | PCS | | PCS |
| | | | |
| | PCS | | PCS |
| | | | |
| | PCS | | PCS |
| | | | |
| | PCS | | PCS |
| | | | |

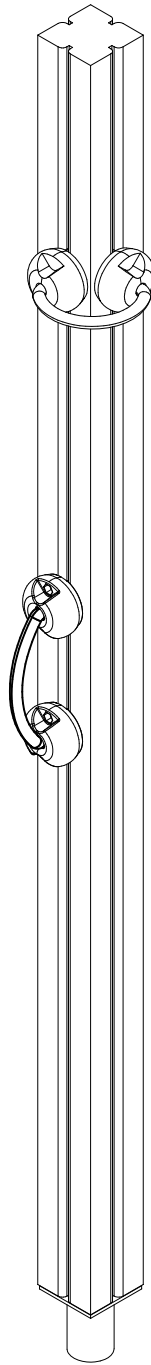
DET 1


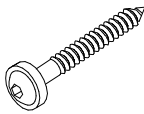




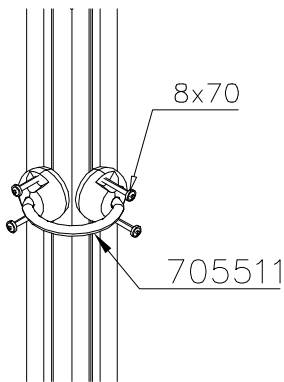
| | | | |
|------------|-----|----------|-----|
| ① 705487 | PCS | ② 905051 | PCS |
| | 2 | | 4 |
| 45x120x590 | | Ø24/8.4 | |
| ③ 905066 | PCS | ④ 909232 | PCS |
| | 4 | | 4 |
| S30H | | 8x120 | |
| | PCS | | PCS |
| | | | |
| | PCS | | PCS |
| | | | |



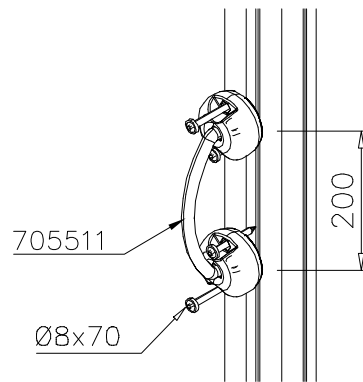


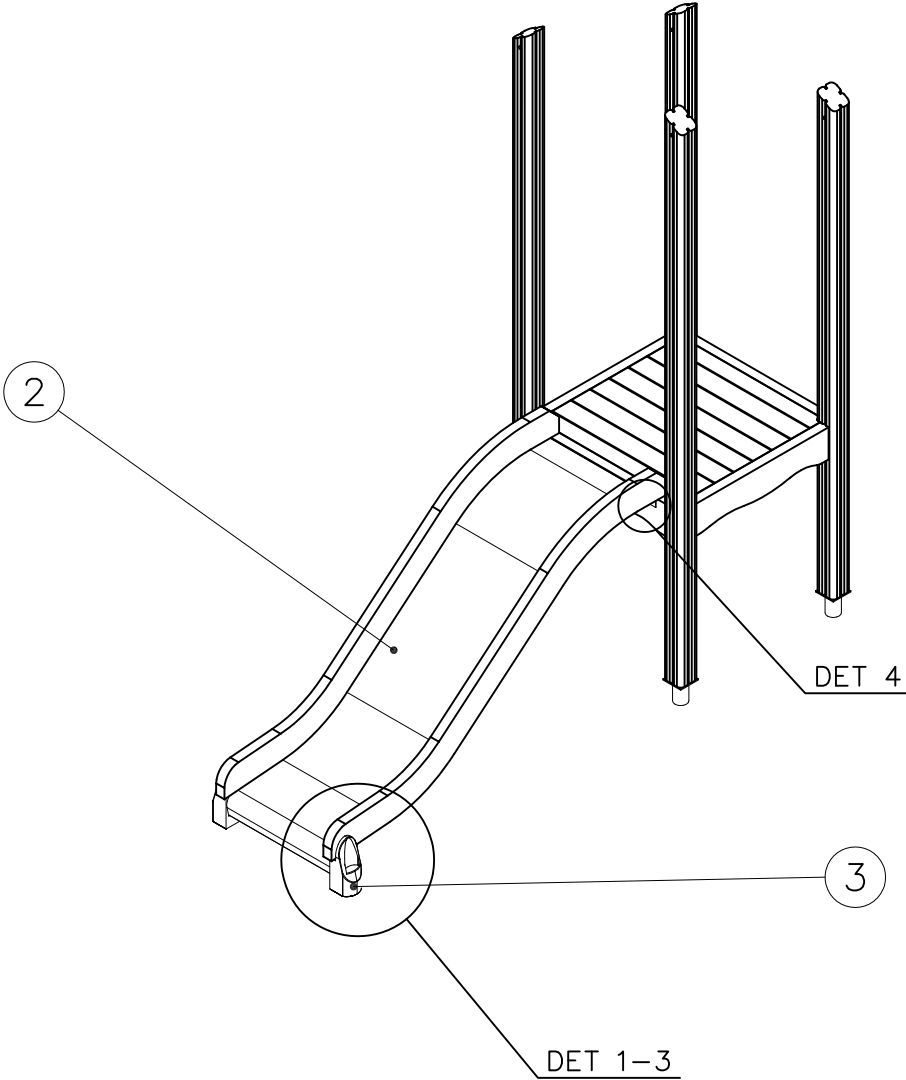
| | | | |
|---|-----|---|-----|
| ① 705510 | PCS | ② 900240 | PCS |
|  | 1 |  | 4 |
| | | Ø8x70 | |
| | PCS | | PCS |
| | | | |
| | PCS | | PCS |
| | | | |
| | PCS | | PCS |
| | | | |
| | PCS | | PCS |
| | | | |
| | PCS | | PCS |
| | | | |
| | PCS | | PCS |
| | | | |
| | PCS | | PCS |
| | | | |
| | PCS | | PCS |
| | | | |

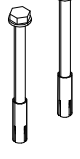
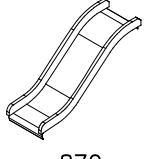
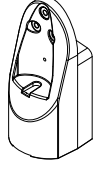
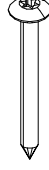
DET 1



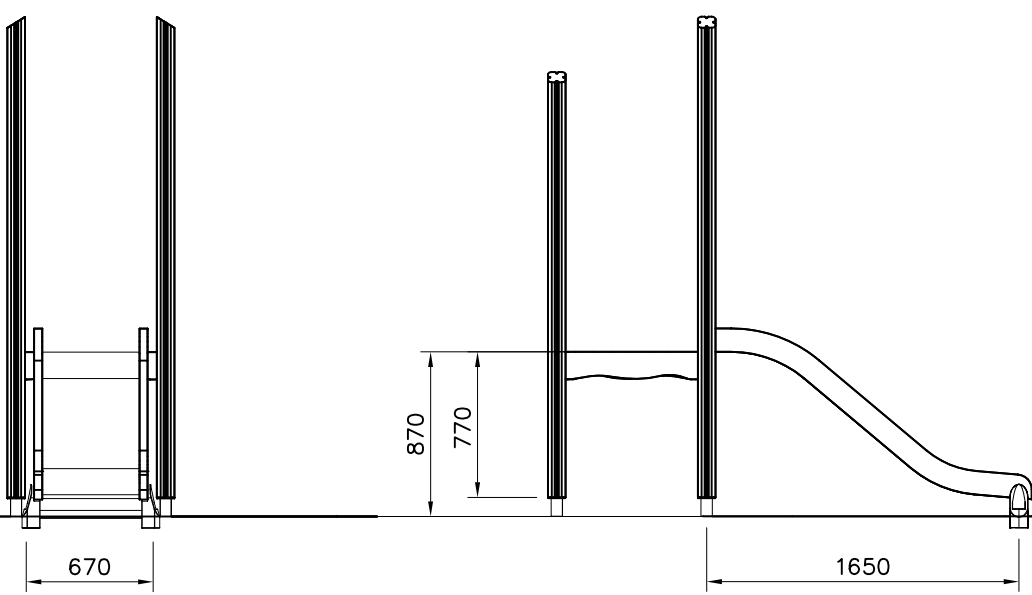
DET 2

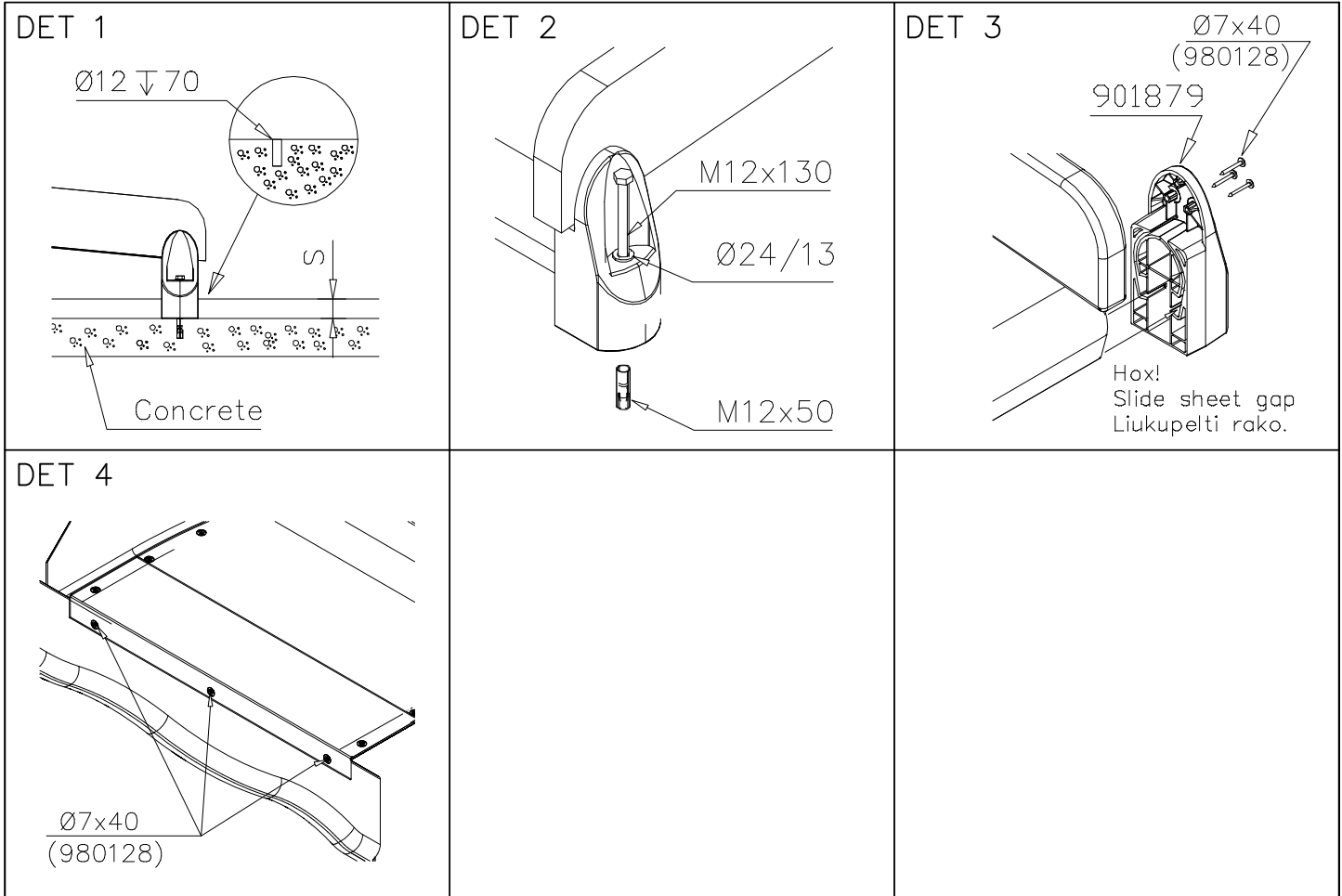




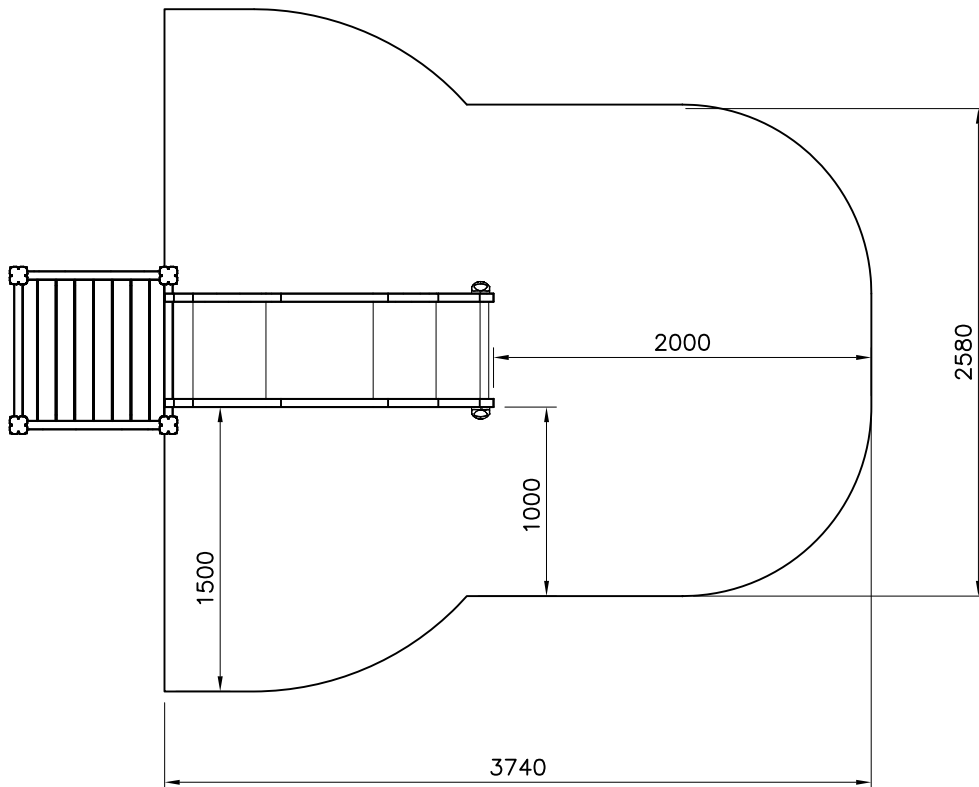
| | | | |
|---|----------|---|----------|
| ① 701929  | PCS 1 | ② 706176  | PCS 1 |
| ③ 901879  | PCS 2 | ④ 980128  | PCS 9 |
| | PCS | | PCS |
| | PCS | | PCS |

870
Ø7x40





— EN Impact Area 10.6 m2
 - - - Falling Space 10.6 m2
 Max Falling Height 1000 mm.



DET 5, 6

1


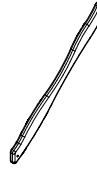


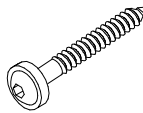



DET 2

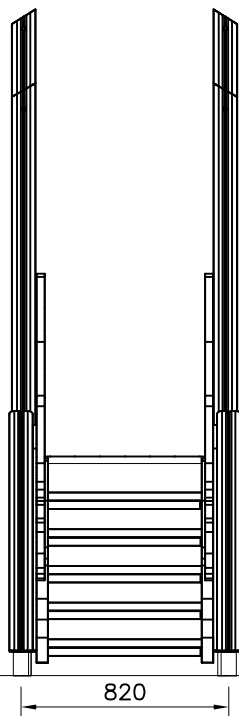
2

DET 1, 7

3

DET 1, 3, 4

| | | | |
|---|-----|---|-----|
| ① 706182 | PCS | ② 706183 | PCS |
|  | 2 |  | 4 |
| | | 32x95x999 | |
| ③ 706186 | PCS | ④ 706187 | PCS |
|  | 2 |  | 1 |
| | | 149x700x1089 | |
| ⑤ 900240 | PCS | ⑥ 903093 | PCS |
|  | 6 |  | 8 |
| Ø8x70 | | Ø8x90 | |
| ⑦ 980123 | PCS | ⑧ 980128 | PCS |
|  | 6 |  | 3 |
| Ø7x60 | | Ø7x40 | |
| | PCS | | PCS |



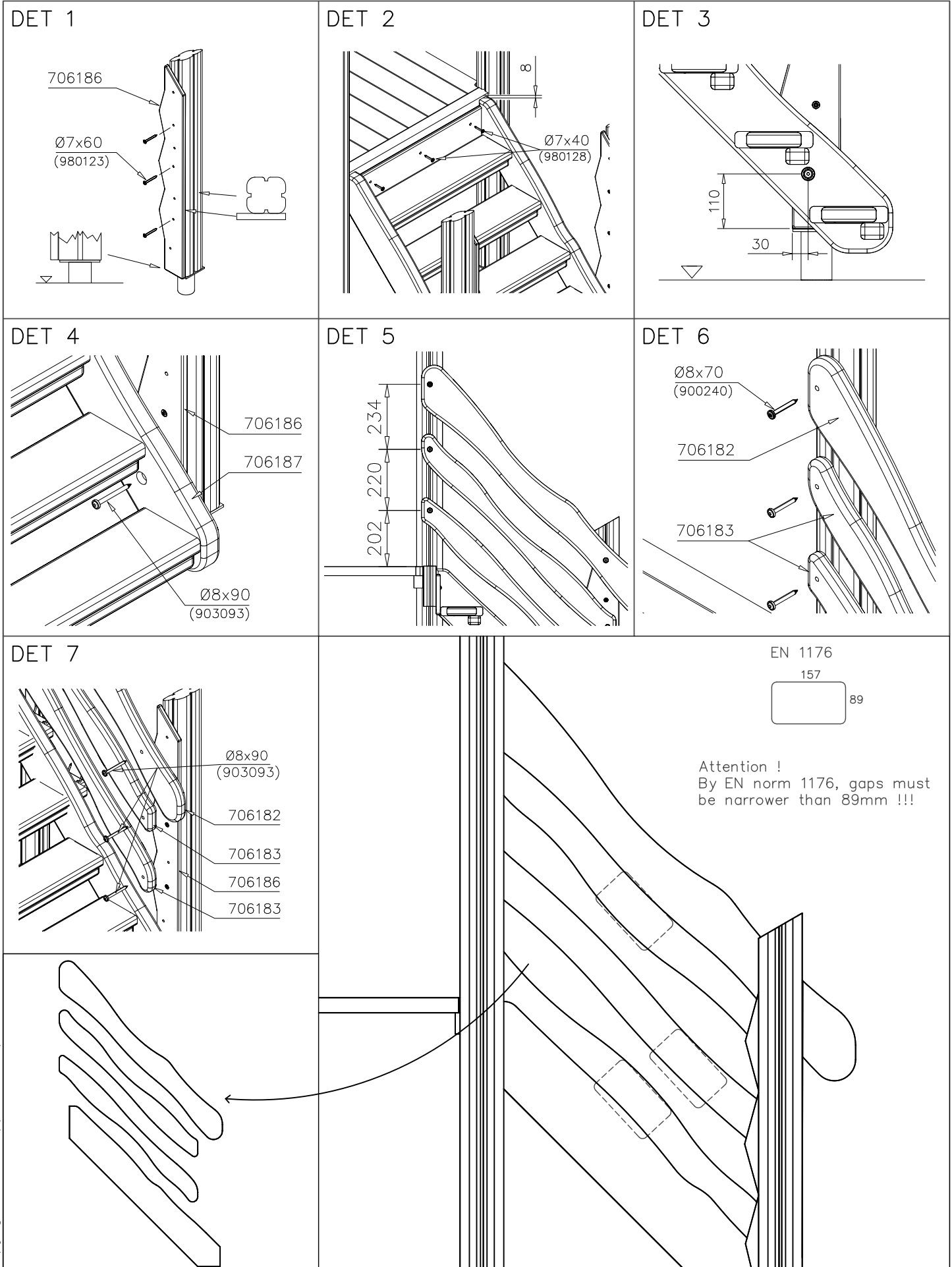
+870

100

+0

635

+1050





LAPPSET®
BETON FOUNDATION

FOOT

DATE: 27.10.2015

1(1)

| | | | |
|--|-----|--|-----|
| ② 905104 | PCS | | PCS |
| | 4 | | |
|  M10 | PCS | | PCS |
| | | | |



905104

LAPPSET® DEEP FOUNDATION

FOOT

DATE: 15.5.2018

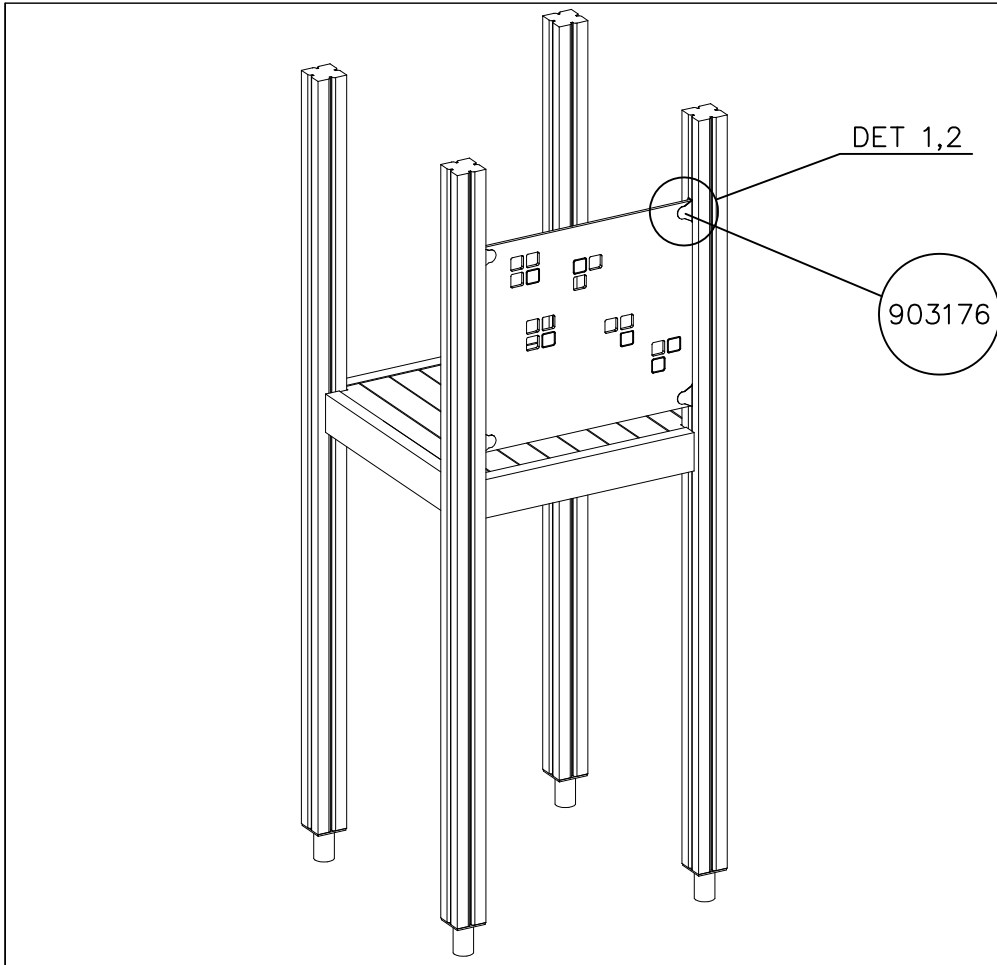
1(1)

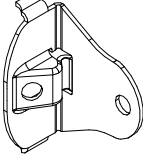
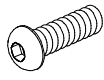
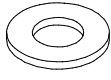
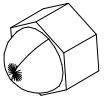



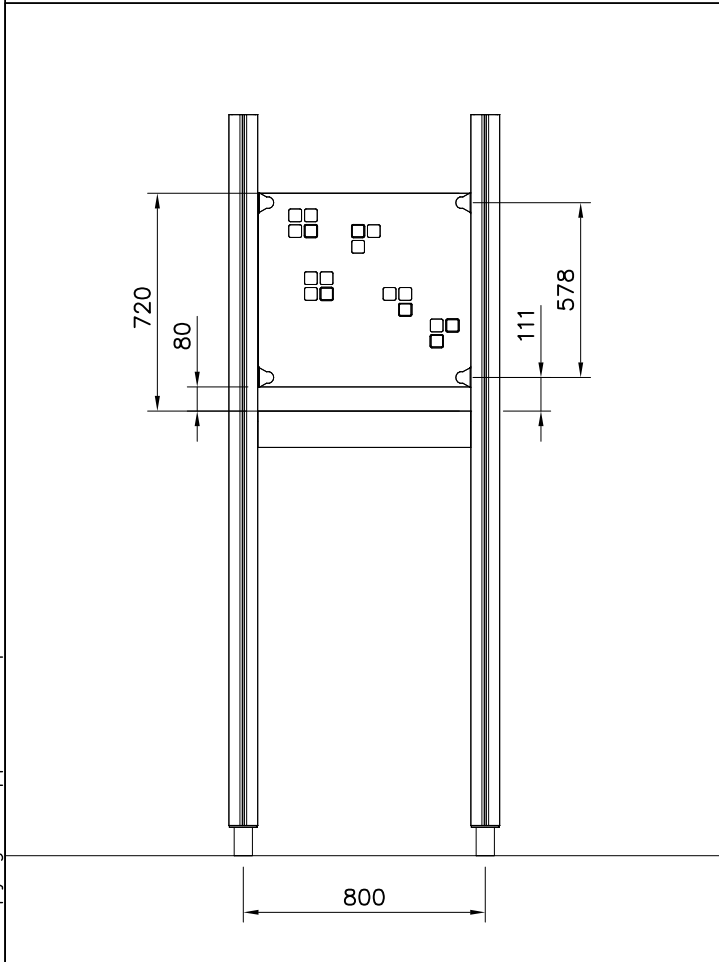
| | | | |
|-----------|-----|------------|-----|
| ① 909511 | PCS | ② 909519 | PCS |
| | 1 | | 1 |
| 90x90x650 | | 50x380x380 | |
| ③ 909637 | PCS | ④ 909638 | PCS |
| | 4 | | 8 |
| M10 | | Ø20/10.5 | |
| ⑤ 909639 | PCS | ⑥ 905104 | PCS |
| | 4 | | 4 |
| M10x25 | | M10 | |

OPTION FOOT

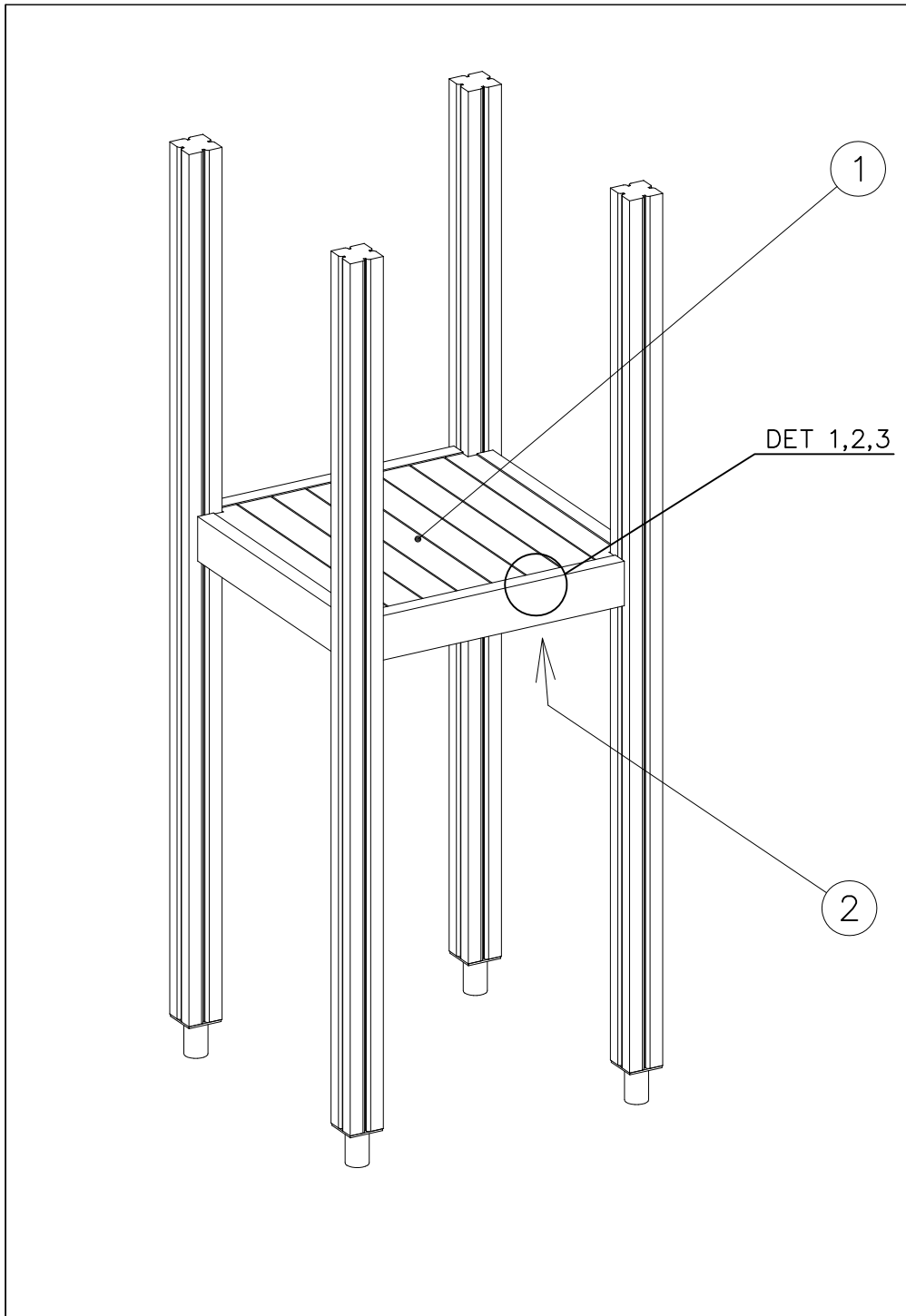
| | | | |
|-----------|-----|--|-----|
| ① 911155 | PCS | | PCS |
| | 1 | | |
| 90x90x650 | | | |

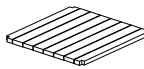
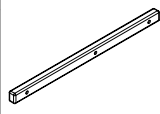
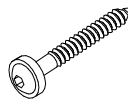



| | | | |
|---|-----|---|-----|
| ① 903176 | PCS | ② 909850 | PCS |
|  | 4 |  | 4 |
| | | M8x25 | |
| ③ 909256 | PCS | ④ 909633 | PCS |
|  | 8 |  | 4 |
| Ø16/8.4x1.6 | | M8 | |
| ⑤ 980123 | PCS | | PCS |
|  | 4 | | |
| Ø7x60 | | | |
| | PCS | | PCS |

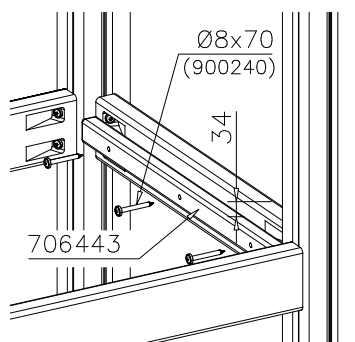






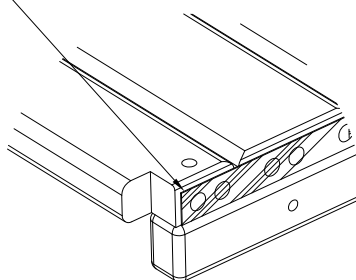
| | | | |
|---|-----|---|-----|
| ① 008986 | PCS | ② 706443 | PCS |
|  | 1 |  | 2 |
| 750x750 | | 32x45x702 | |
| ③ 900240 | PCS | ④ 980101 | PCS |
|  | 6 |  | 8 |
| Ø8x70 | | Ø4.5x70 | |
| | PCS | | PCS |
| | | | |
| | PCS | | PCS |
| | | | |
| | PCS | | PCS |
| | | | |

DET 1

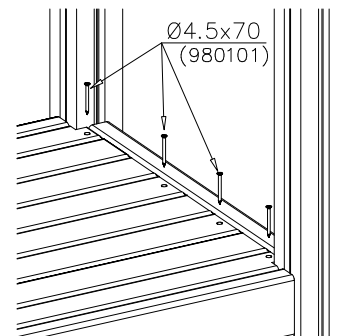


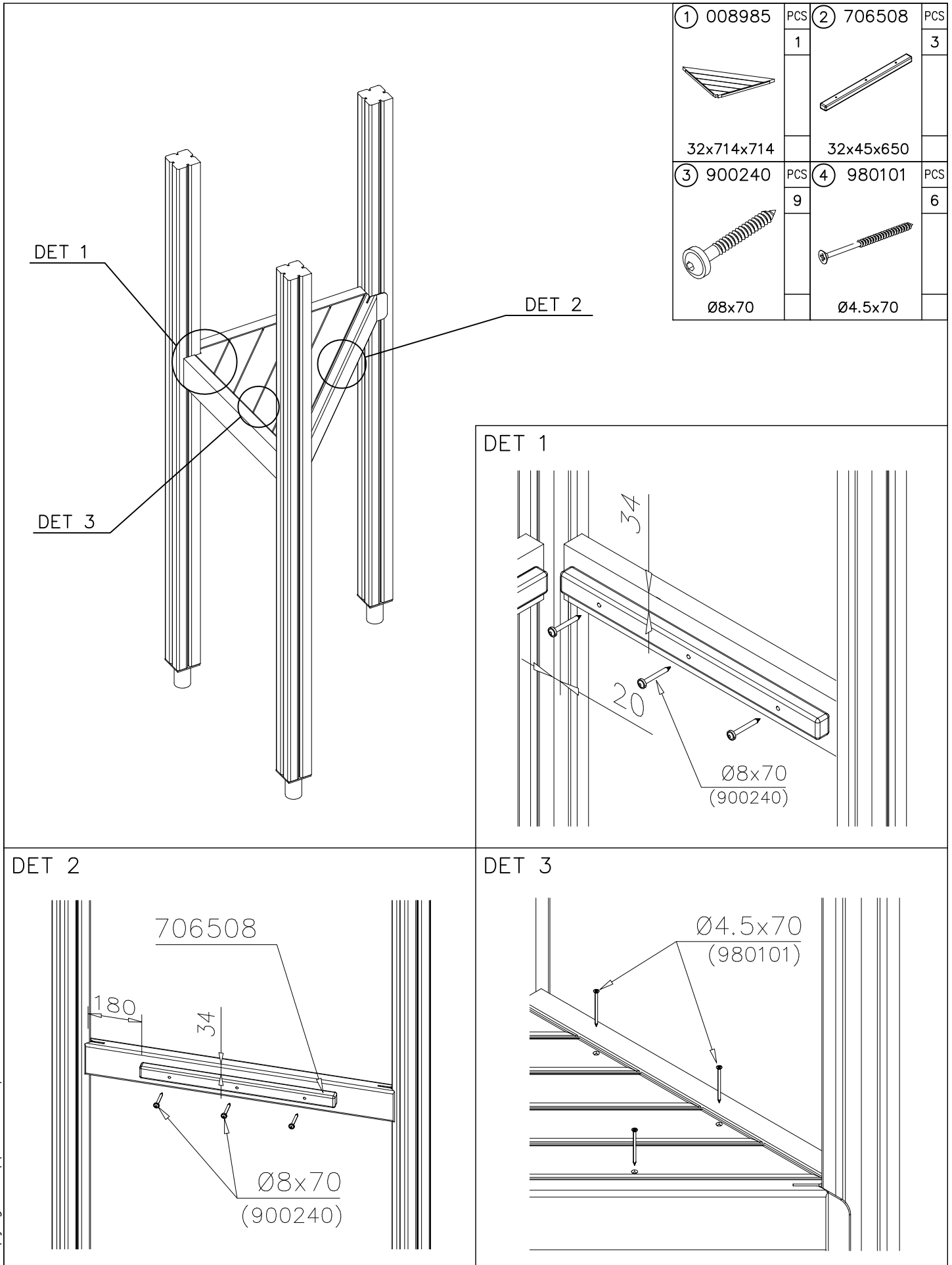
DET 2

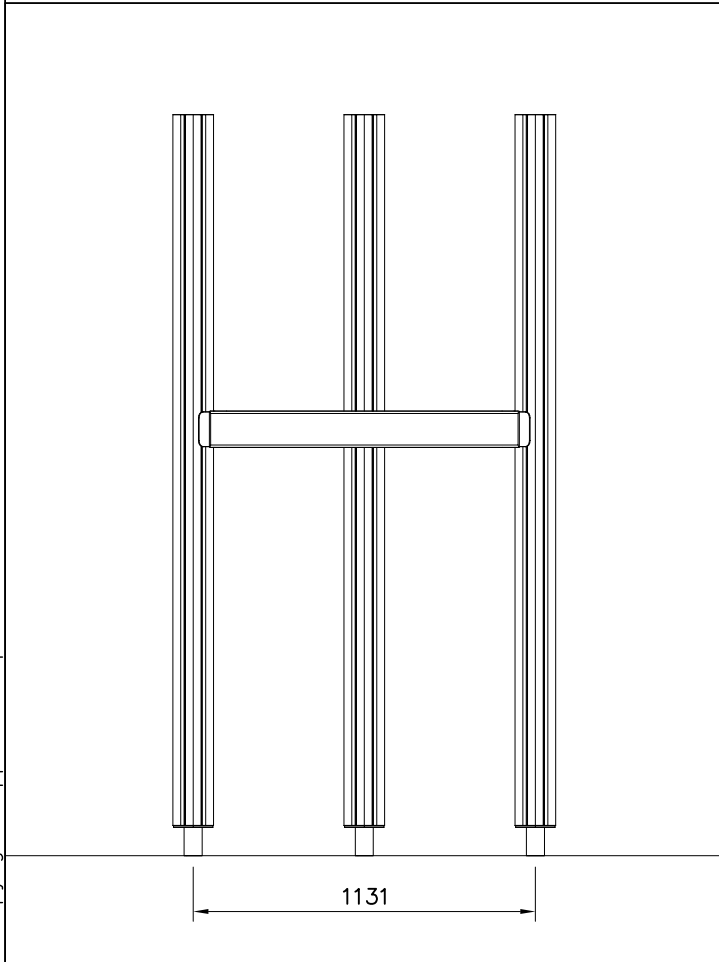
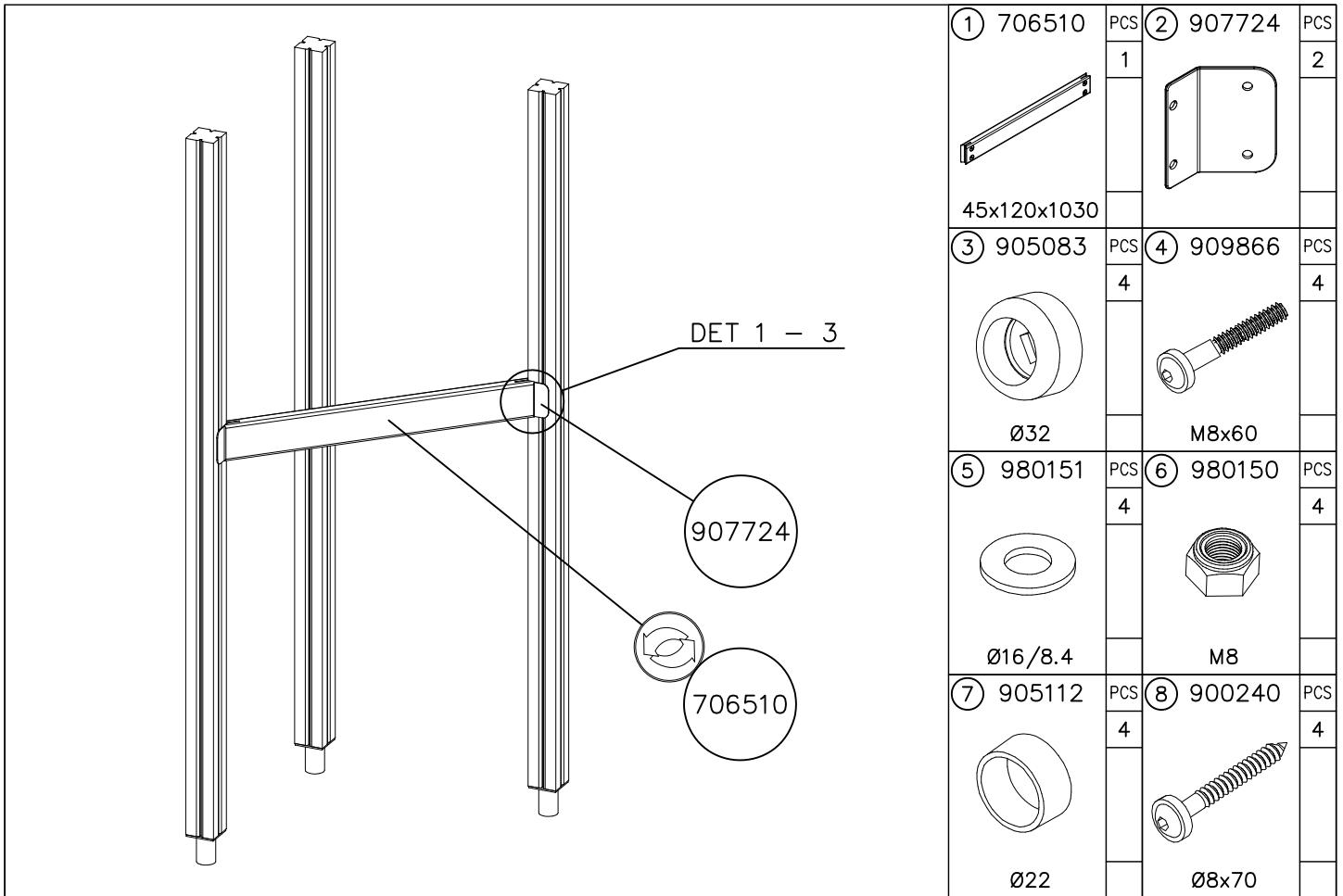
Naulanauha kannatinlistan puolelle.
Nail list to the bottom.

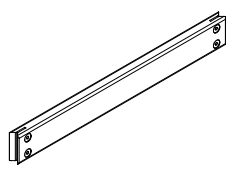


DET 3

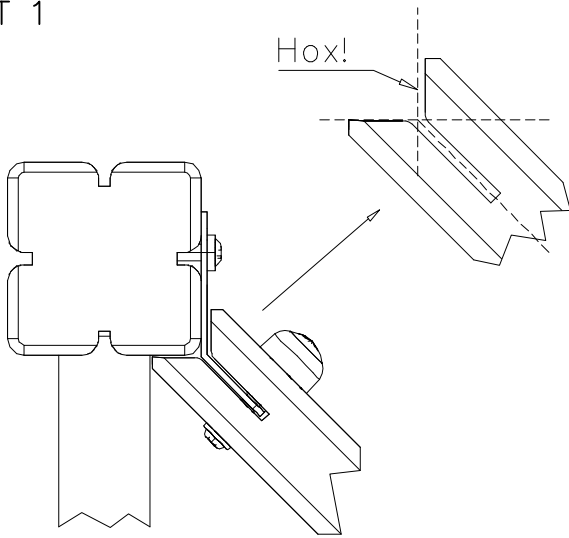




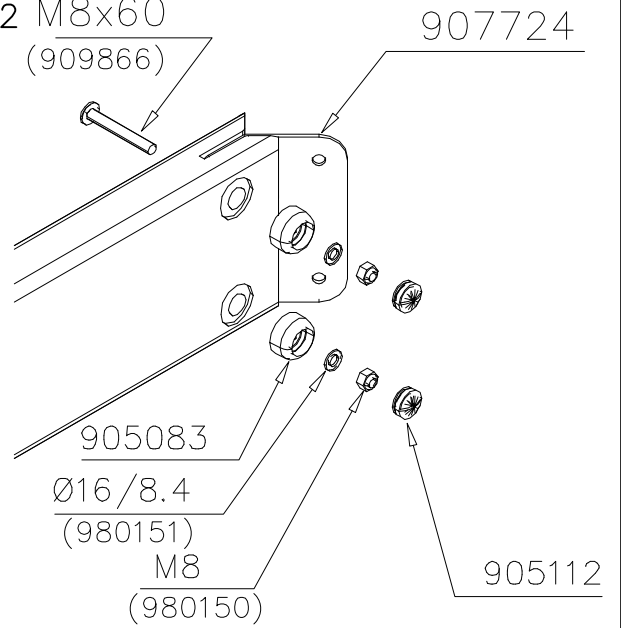


| BOOM OPTIONS | | |
|--|------------|-------------|
| 706510 | 706510-602 | DARK BROWN |
| | 706510-603 | LIGHT BROWN |
| | 706510-604 | LIGHT GRAY |
|  | | |
| 45x120x1030 | | |
| | | |
| | | |

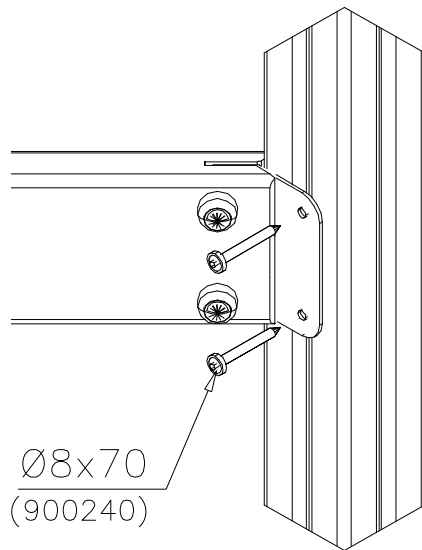
DET 1



DET 2 M8x60
(909866)



DET 3



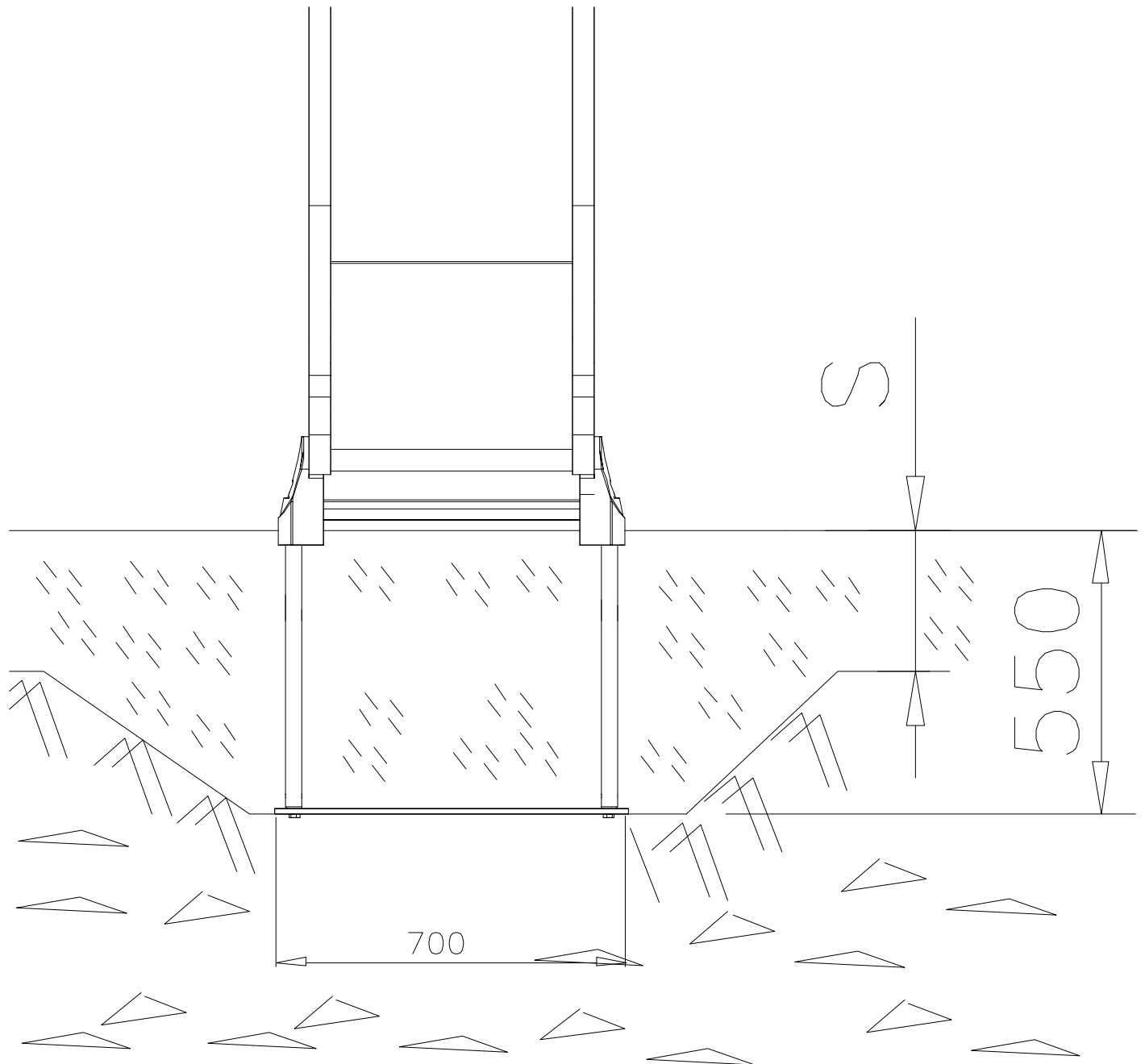
LAPPSET

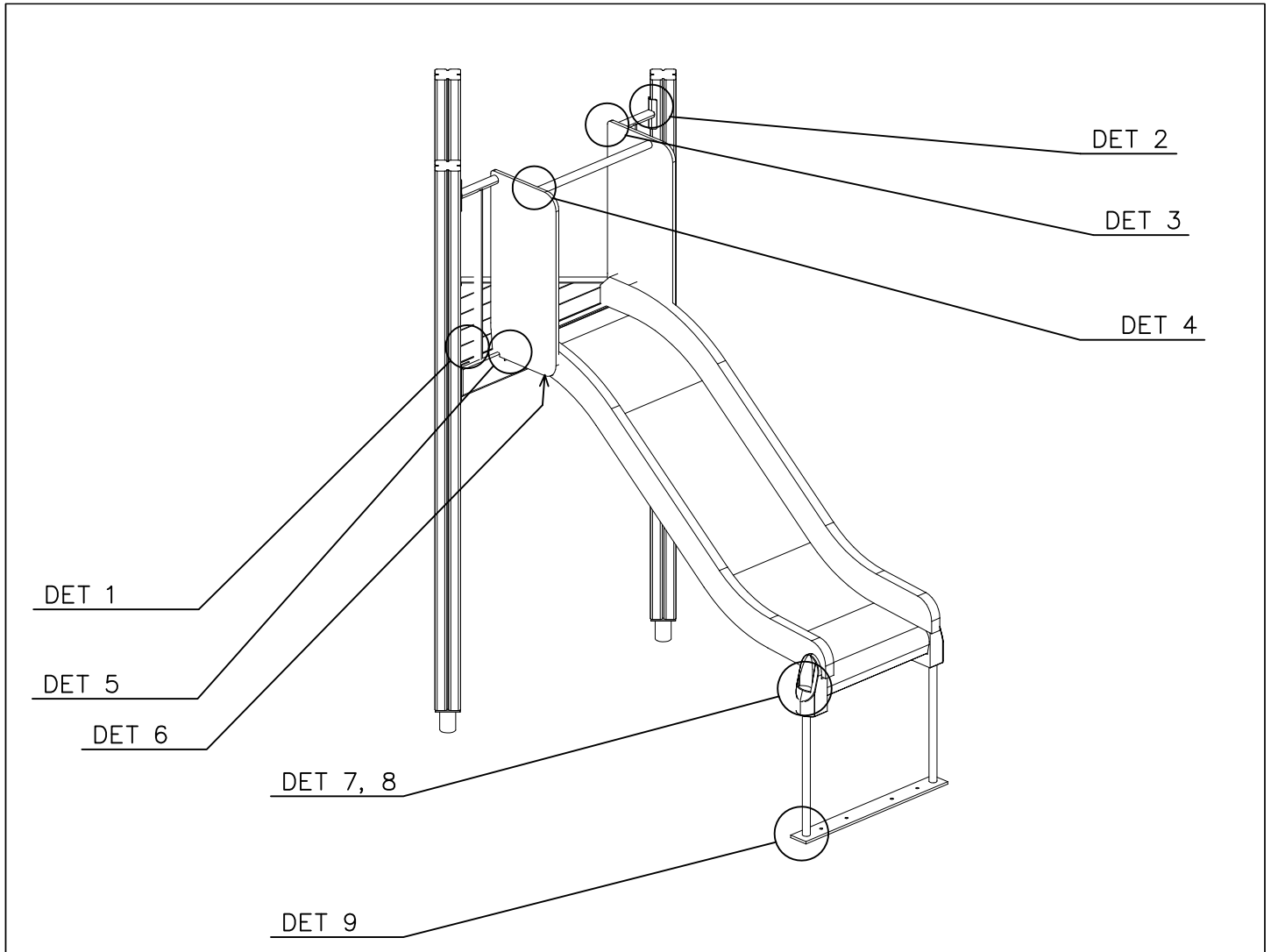
DEEP FOUNDATION

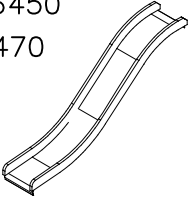
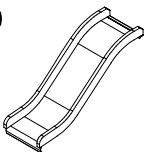
SLIDE WOOD

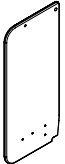
DATE: 22.5.2015

1(1)





| SLIDE OPTIONS | | | |
|--|--|---|--|
| 706450 +1470  | 706450-602 706450-603 706450-604 | DARK BROWN LIGHT BROWN LIGHT GRAY | |
| 706452 +870  | 706452-602 706452-603 706452-604 | DARK BROWN LIGHT BROWN LIGHT GRAY | |

| WALL OPTIONS | | | |
|---|--|---|--|
| 706371  | 706371-701 706371-702 706371-703 706371-704 706371-705 706371-706 | BLUE YELLOW LIME DRARK GRAY LIGHT GRAY RED | 706371-707 706371-708 GREEN FUXIA |

LAPPSET

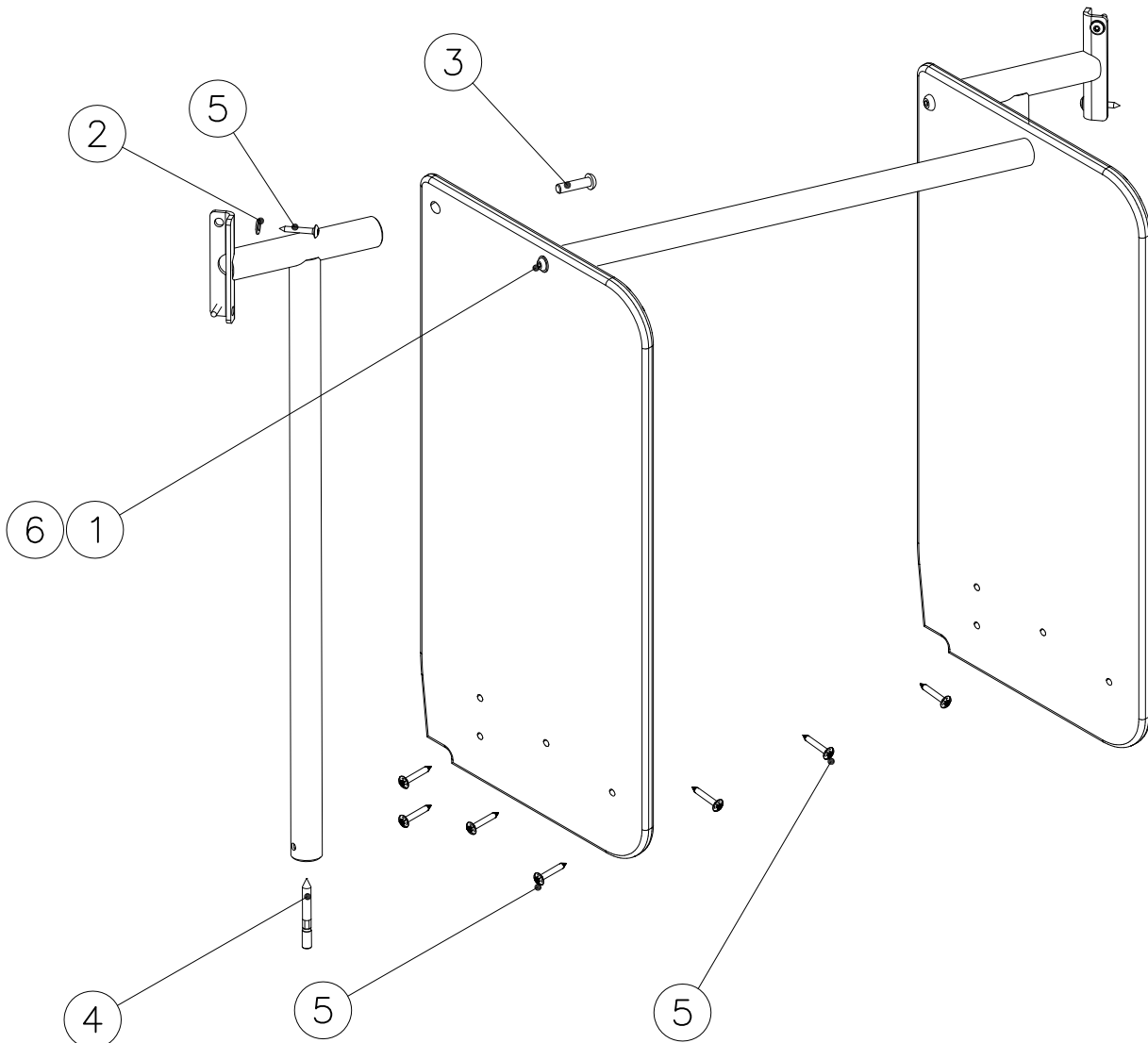
80MD

80MD

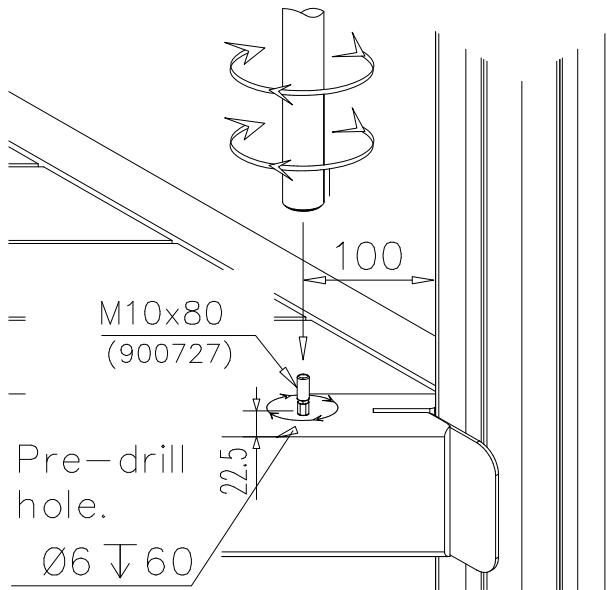
DATE: 21.9.2016

2(5)

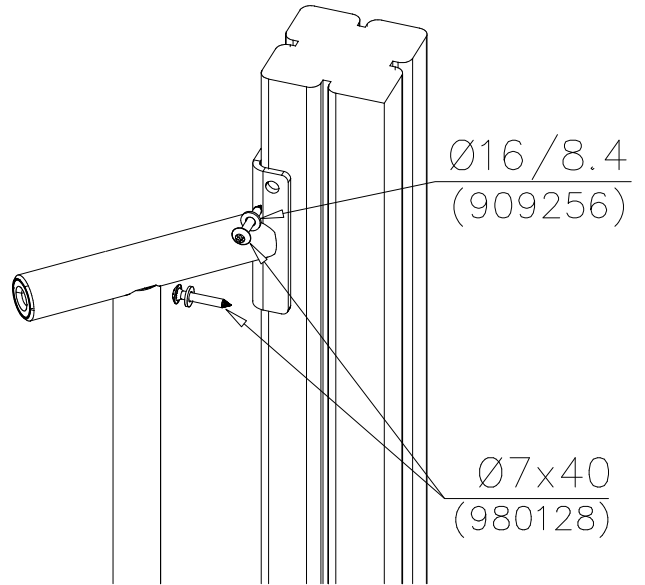
| | | | | | |
|------------------------------|-----------------------------|---------------------------------|-----------------------------|---|----------------------------|
| ○ SLIDE +1470 PCS 1 | ○ SLIDE +870 PCS 1 | ○ 706371 15x345x750 PCS 2 | ○ 907692 PCS 2 | ○ 901868 Ø30x598 PCS 1 | ① 909876 M8x40 PCS 2 |
| ② 909256 Ø16/8.4 PCS 4 | ③ 907727 M10x40 PCS 2 | ④ 900727 M10x80 PCS 2 | ⑤ 980128 Ø7x40 PCS 15 | ⑥ 999561 GLUE 4101 ergo 10 g 10g PCS 1 | |



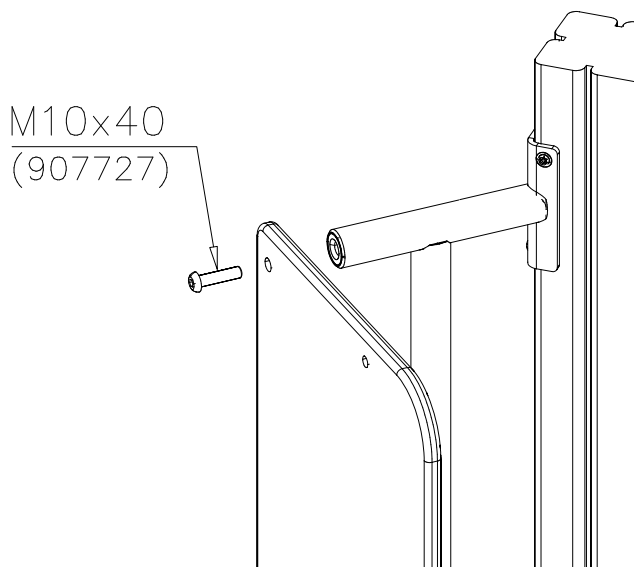
DET 1



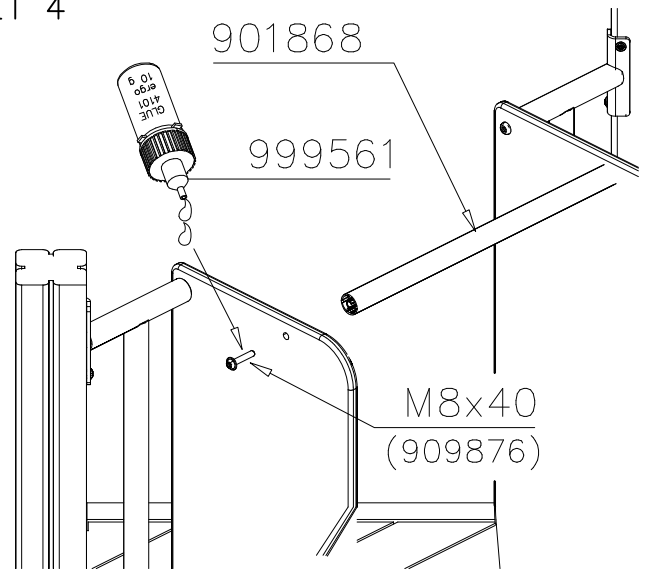
DET 2



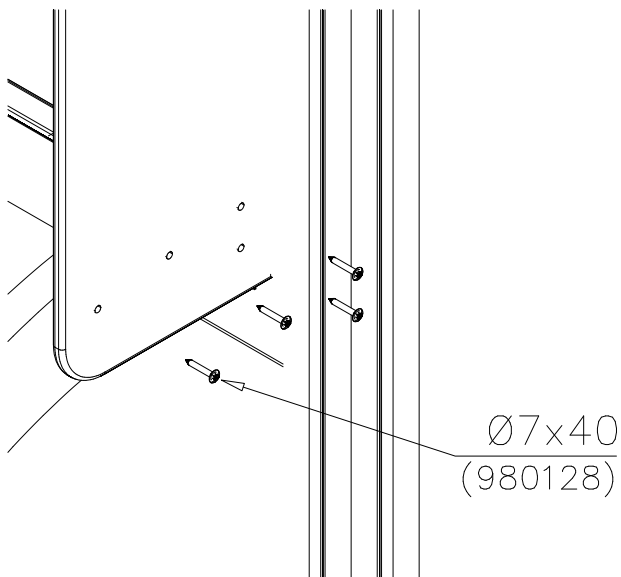
DET 3



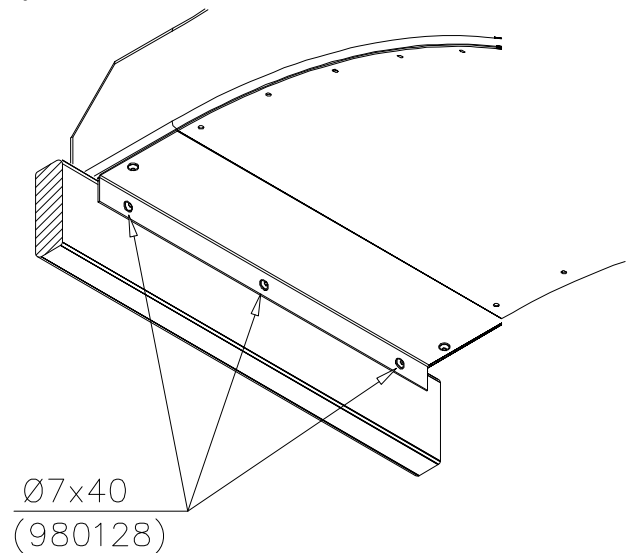
DET 4



DET 5



DET 6

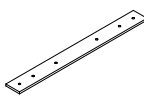
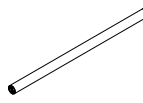


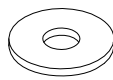
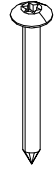


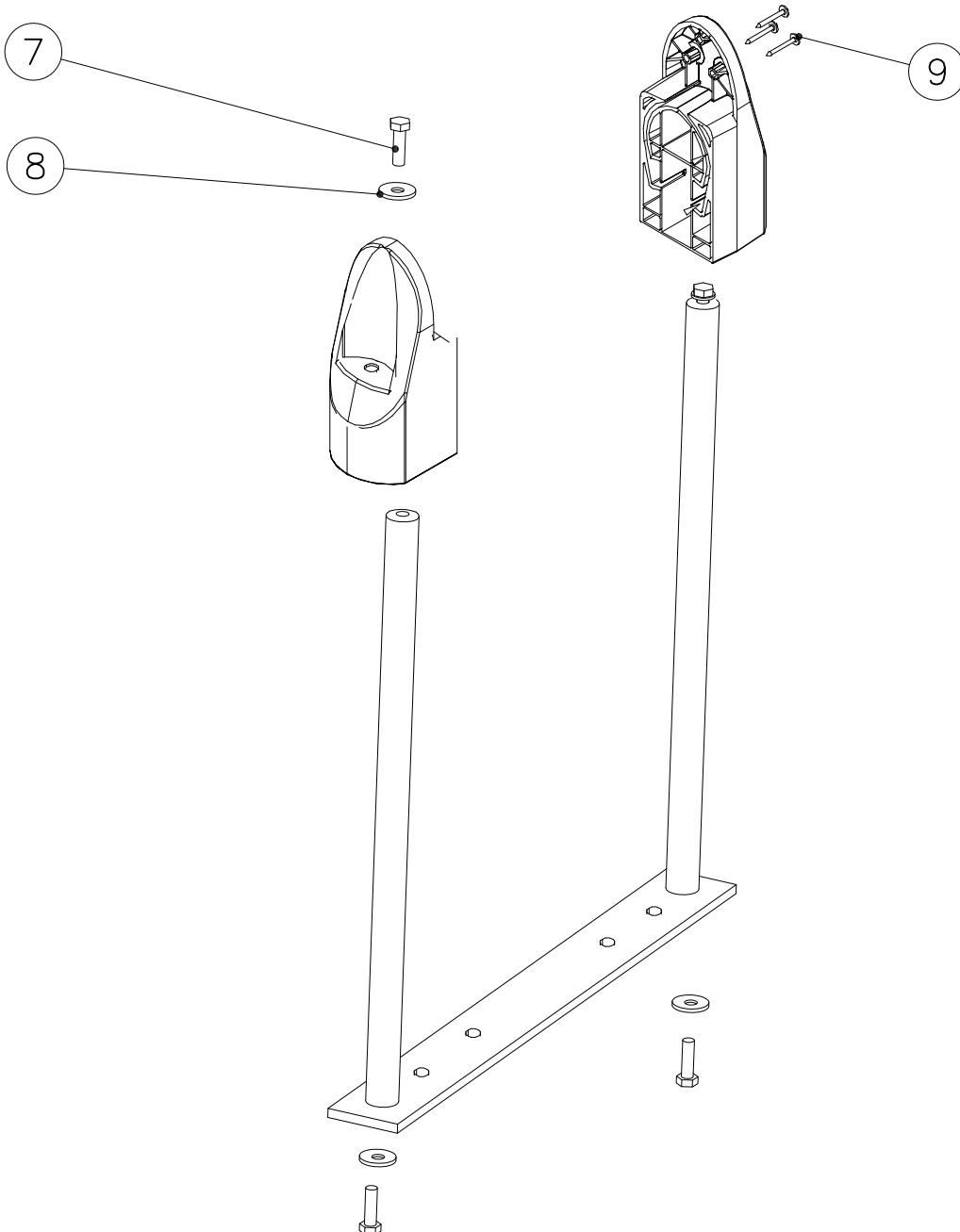
LAPPSET

DEEP FOUNDATION

DATE: 21.9.2016

4(5)

| | | | | | | | | | | | |
|--|-----|---|-----|---|-----|---|-----|--|-----|---|-----|
| ○ 707133 | PCS | ○ 901868 | PCS | ○ 901879 | PCS | ⑦ 909210 | PCS | ⑧ 905051 | PCS | ⑨ 980128 | PCS |
|  | 1 |  | 2 |  | 2 |  | 4 |  | 4 |  | 6 |
| 10x80x745 | | Ø30x598 | | | | M8x40 | | Ø24/8.4 | | Ø7x40 | |



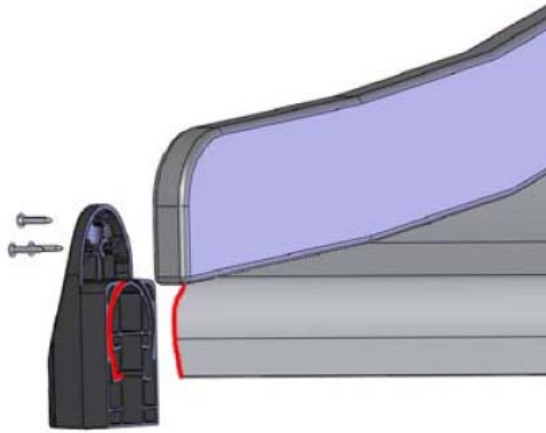
LAPPSET

DEEP FOUNDATION

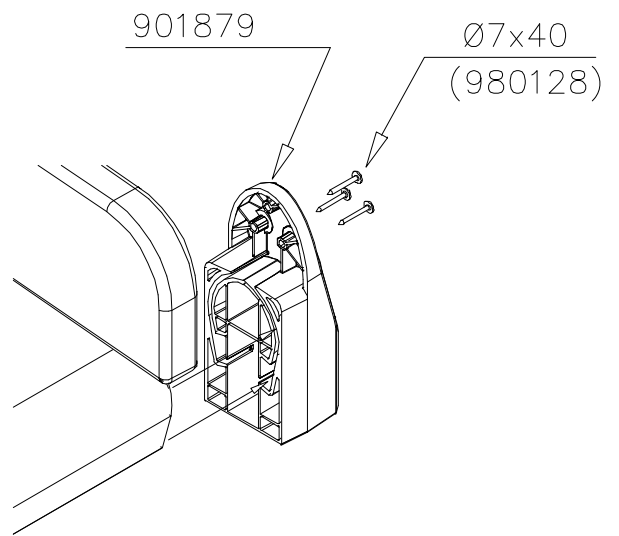
DATE: 21.9.2016

5(5)

DET 7



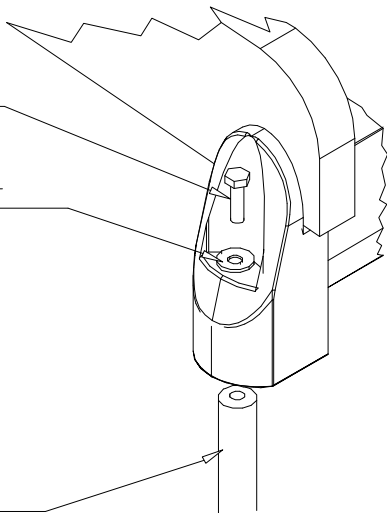
Insert sheet metal IN to the plastic cover.



DET 8

M8x40
(909210)
Ø24/8.4
(905051)

901868



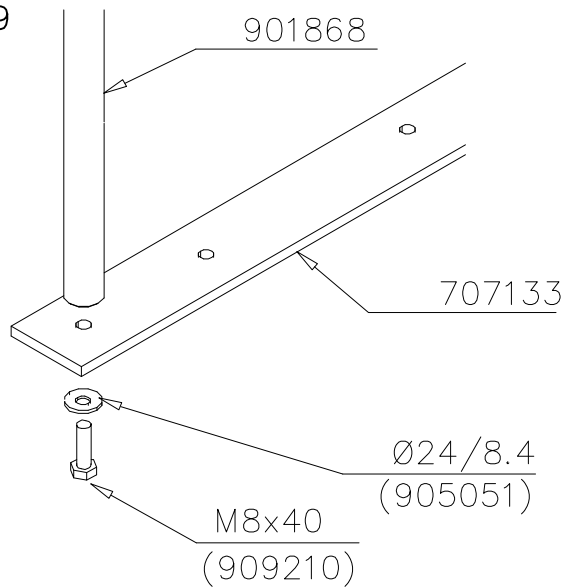
DET 9

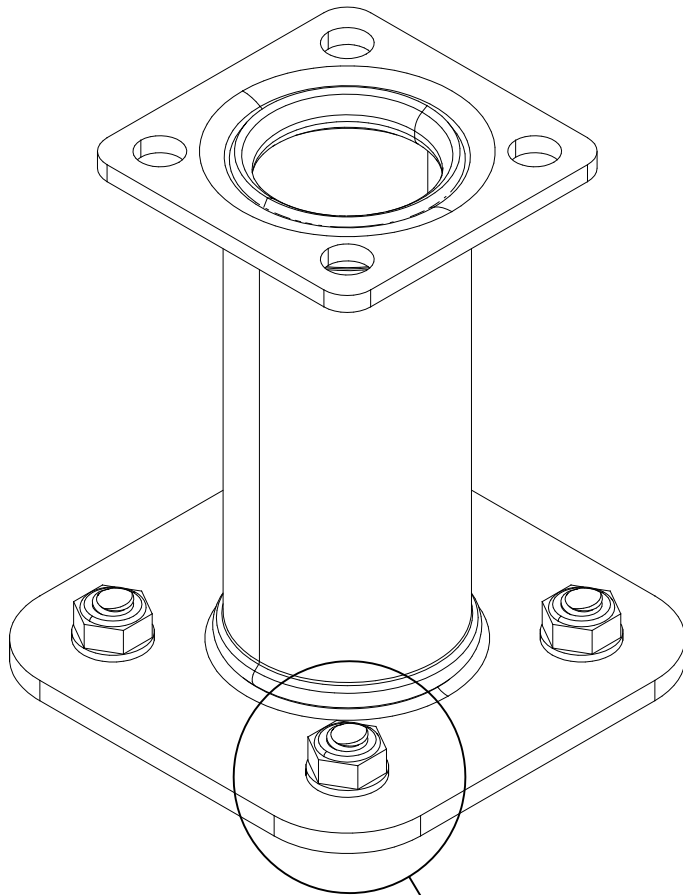
901868

707133

Ø24/8.4
(905051)

M8x40
(909210)

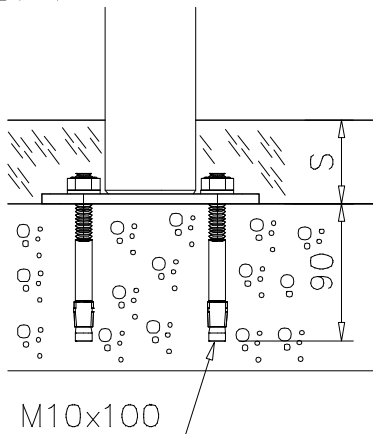




DET 1, 2, 3

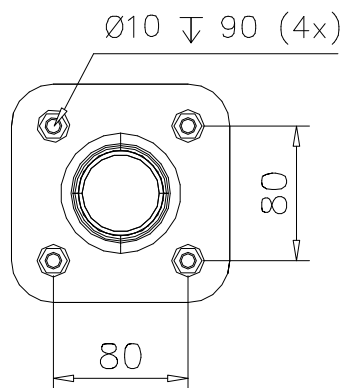
| | | | |
|----------|-----|----------|-----|
| ① 909531 | PCS | ① 909513 | PCS |
| | 1 | | 1 |
| | | 60° | |
| ① 909514 | PCS | ① 902056 | PCS |
| | 1 | | 1 |
| | | 75° | 57° |
| ① 902062 | PCS | | PCS |
| | 1 | | |
| | | 70° | |
| | PCS | | PCS |
| | | | |
| | PCS | | PCS |
| | | | |
| ② 909628 | PCS | | PCS |
| | 4 | | |
| M10x100 | | | |

DET 1

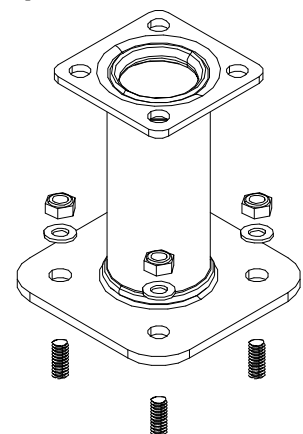


M10x100

DET 2

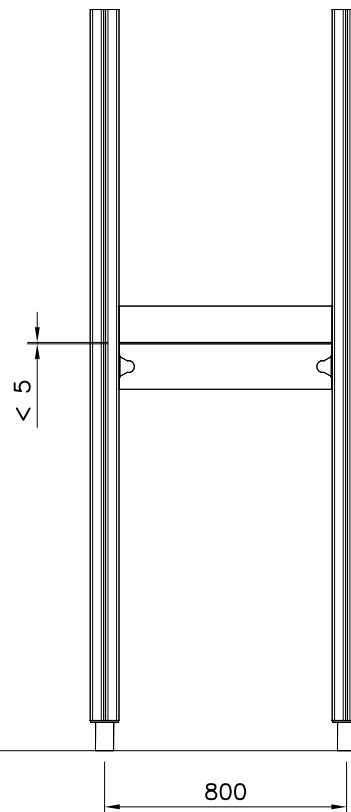
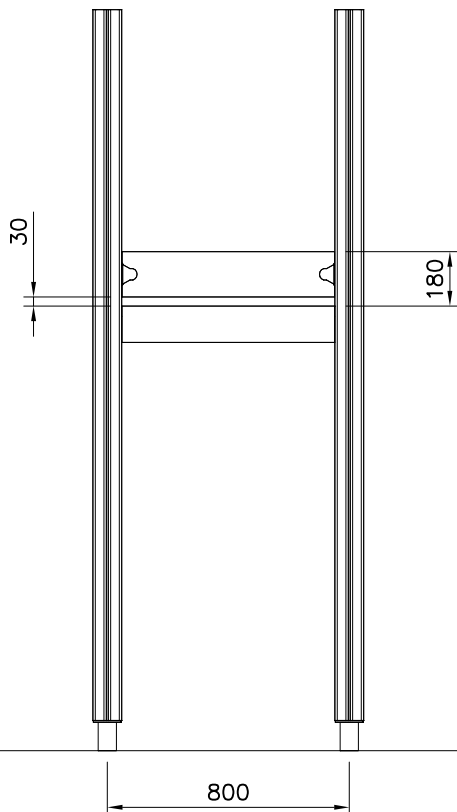


DET 3

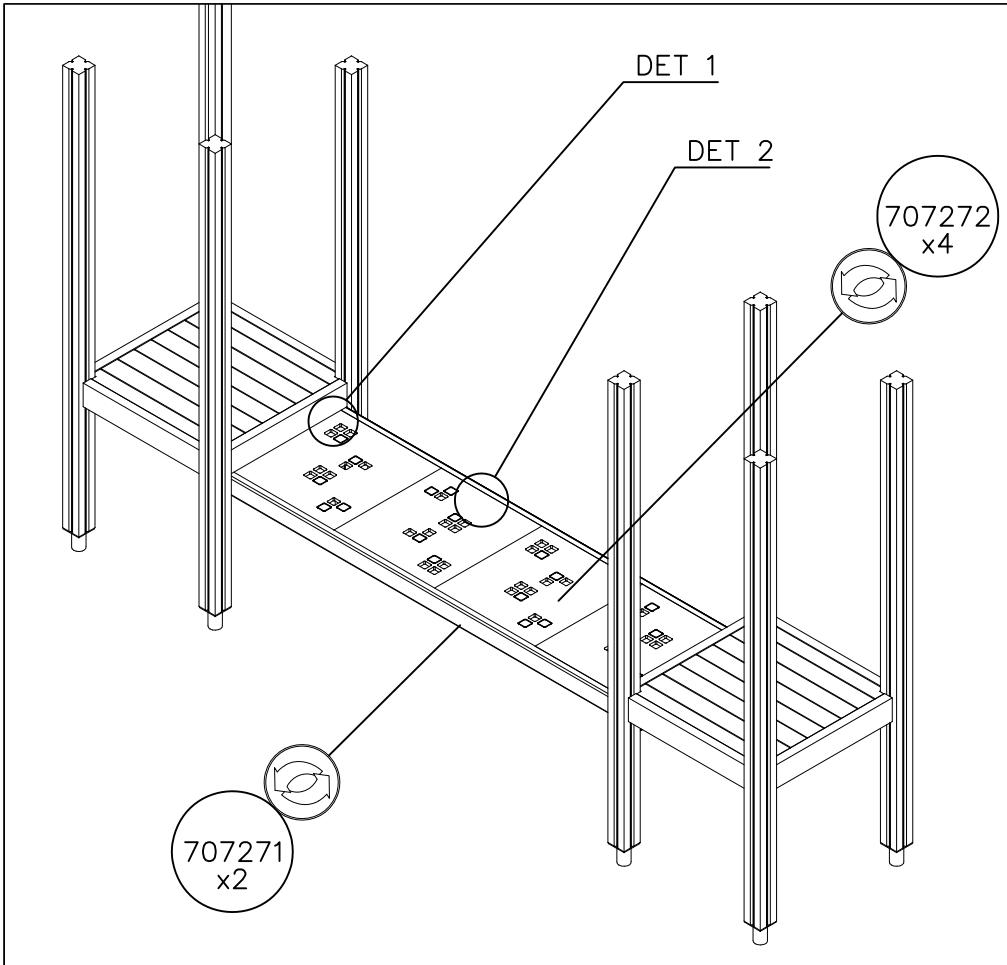


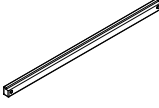
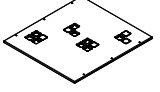

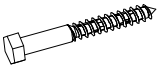
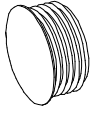

| | | | |
|------------|-----|-------------|-----|
| ① 706896 | PCS | ② 903176 | PCS |
| | 1 | | 2 |
| 15x150x703 | | | |
| ③ 909850 | PCS | ④ 909256 | PCS |
| | 2 | | 2 |
| M8x25 | | Ø16/8.4x1.6 | |
| ⑤ 909633 | PCS | ⑥ 980123 | PCS |
| | 2 | | 2 |
| M8 | | Ø7x60 | |
| | PCS | | PCS |

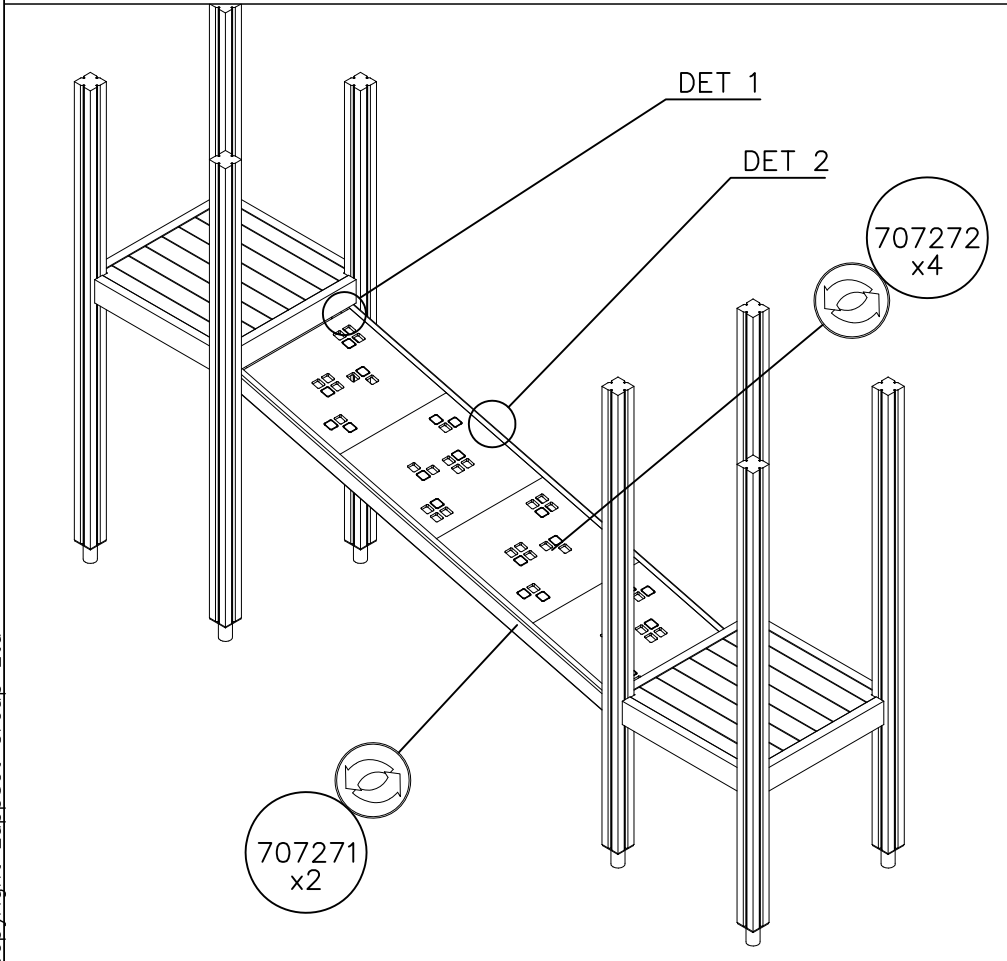
OR



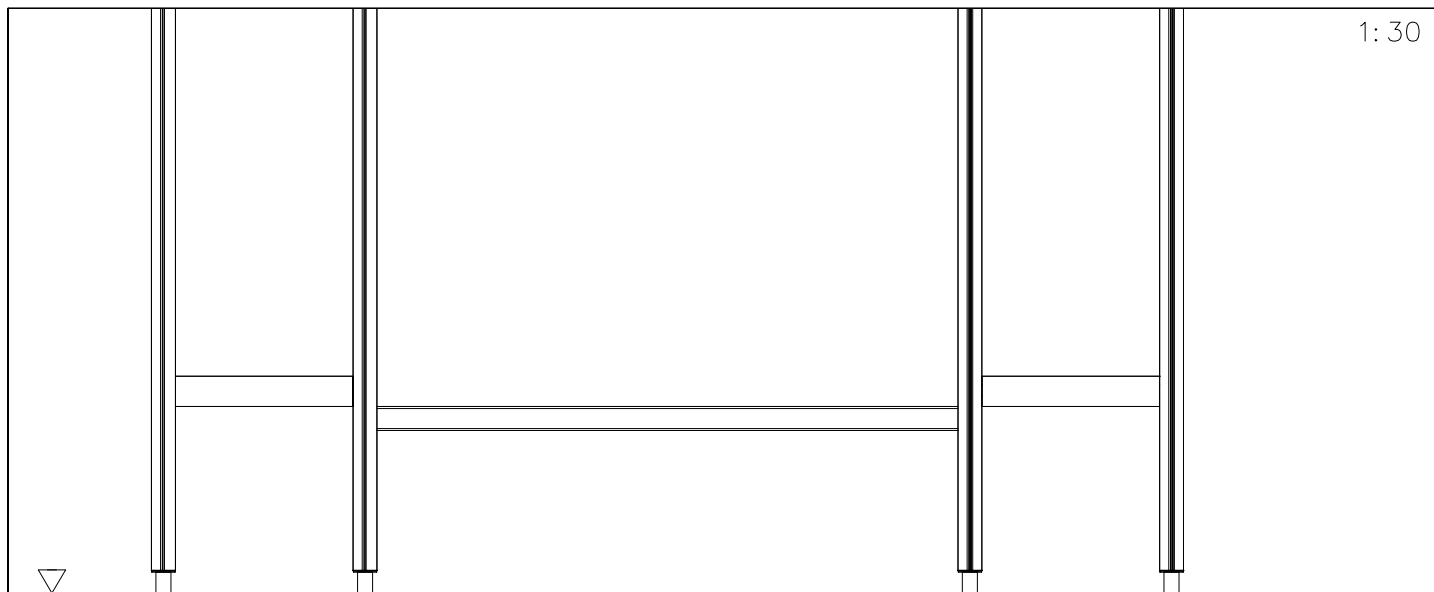
| | |
|---|--|
| <p>DET 1</p> <p>M8x25 (909850)</p> <p>903176</p> <p>Ø16/8.4 (909256)</p> <p>M8 (909633)</p> | <p>DET 2</p> <p>Ø7x60 (980123)</p> |
| <p>DET 3</p> <p>Ø16/8.4 (909256)</p> <p>903176</p> <p>M8 (909633)</p> <p>Ø7x60 (980123)</p> <p>M8x25 (909850)</p> | |
| | |



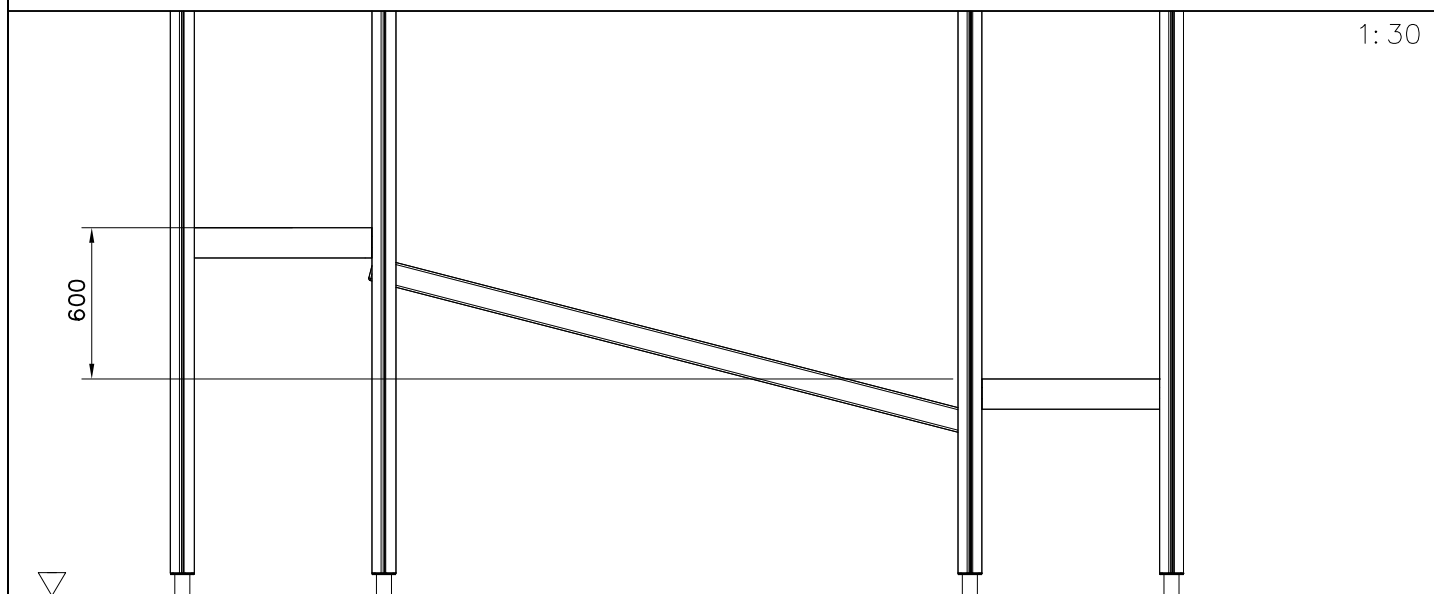
| | | | |
|---|-----|---|-----|
| ① 707271 | PCS | ② 707272 | PCS |
|  | 2 |  | 4 |
| 70x95x2480 | | 15x630x590 | |
| ③ 980154 | PCS | ④ 909224 | PCS |
|  | 4 |  | 4 |
| Ø24/13 | | 12x100 | |
| ⑤ 905103 | PCS | ⑥ 980123 | PCS |
|  | 4 |  | 24 |
| PT-28/32-H | | Ø7x60 | |
| | PCS | | PCS |



| | | | |
|--|-----|--|-----|
| | PCS | | PCS |
| | | | |
| | PCS | | PCS |
| | | | |
| | PCS | | PCS |
| | | | |
| | PCS | | PCS |
| | | | |



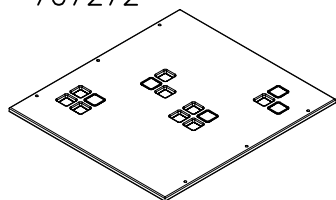
2400



2325

PLATE OPTIONS

707272



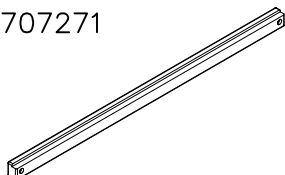
15x630x590

- 707272-701 BLUE
- 707272-702 YELLOW
- 707272-703 LIME
- 707272-704 DARK GRAY
- 707272-705 GRAY
- 707272-706 RED

- 707272-707 GREEN
- 707272-708 FUXIA

BOOM OPTIONS

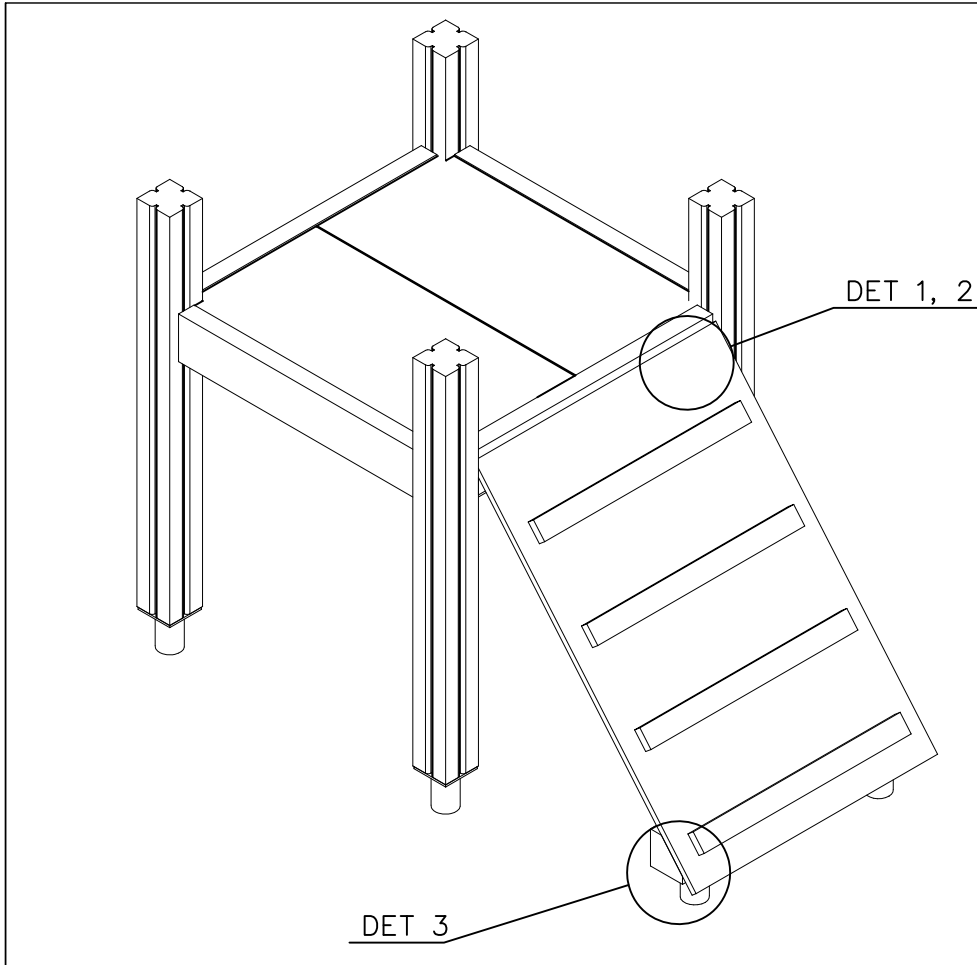
707271

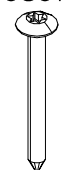
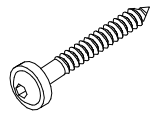

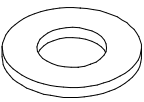
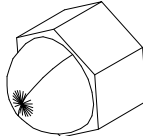


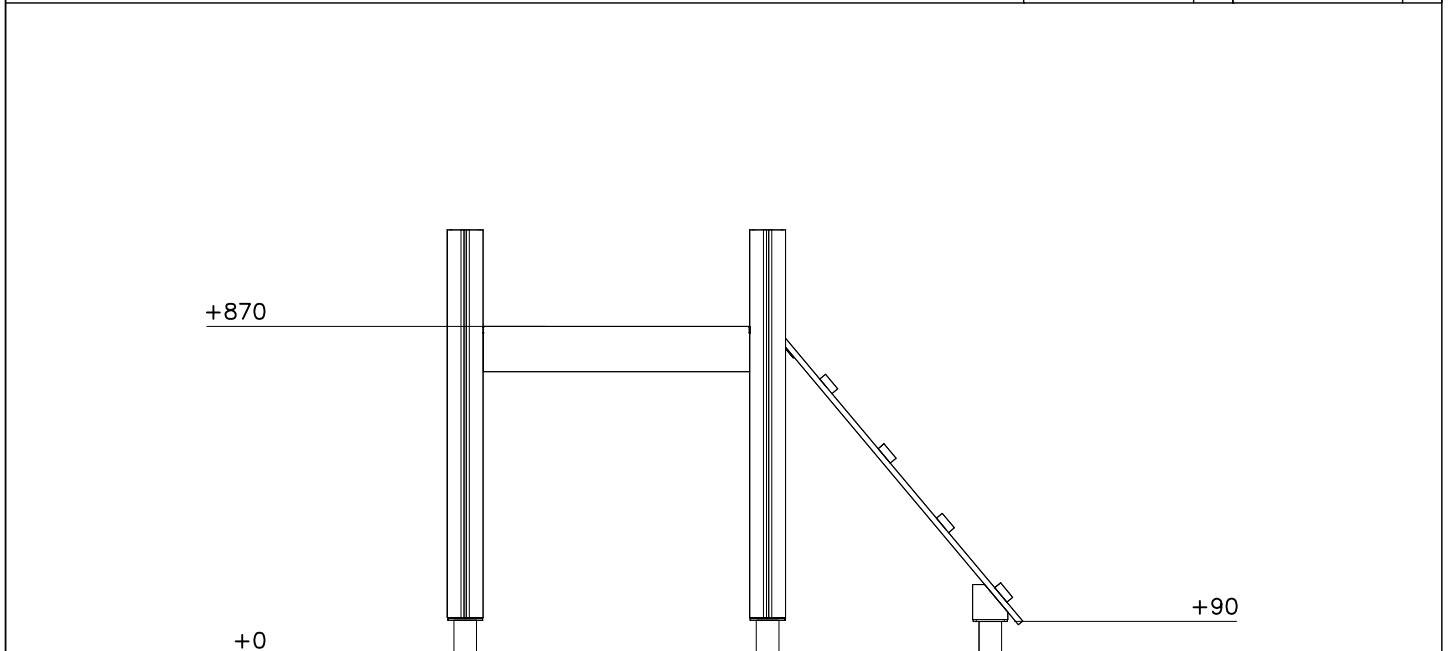
70x95x2480

- 707271-602 DARK BROWN
- 707271-603 LIGHT BROWN
- 707271-604 LIGHT GRAY

| | |
|--|--|
| <p>DET 1</p> <p>905103 12x100 (909224) Ø24/13 (980154)</p> | <p>DET 2</p> <p>BOOM</p> <p>Ø7x60 (980123)</p> |
| <p>DET 3</p> | <p>DET 4</p> |
| <p>DET 5</p> | <p>DET 6</p> |

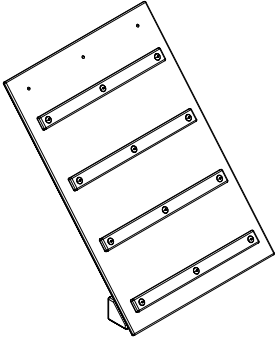


| | | | |
|---|-----|---|-----|
| ① 980128 | PCS | ② 900240 | PCS |
|  | 8 |  | 4 |
| Ø7x40 | | Ø8x70 | |
| ③ 909852 | PCS | ④ 909256 | PCS |
|  | 3 |  | 7 |
| M8x30 | | Ø16/8.4x1.6 | |
| ⑤ 909633 | PCS | | PCS |
|  | 3 | | |
| M8 | | | |
| | PCS | | PCS |
| | | | |
| | | | |



CLIMB OPTIONS

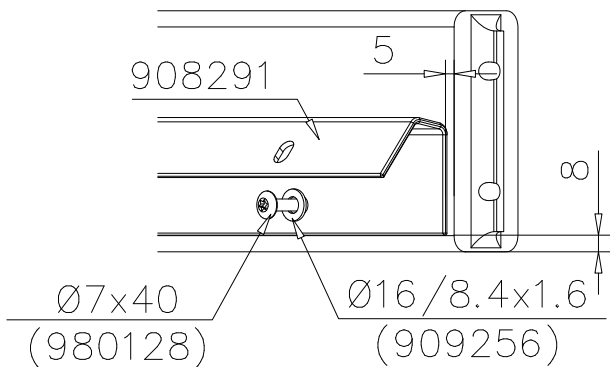
707418



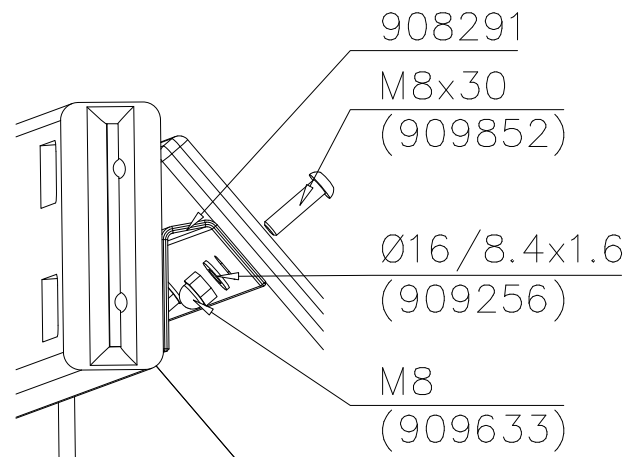
700x1000

| | |
|------------|-----------|
| 707418-701 | BLUE |
| 707418-702 | YELLOW |
| 707418-703 | LIME |
| 707418-704 | DARK GREY |
| 707418-705 | GREY |
| 707418-706 | RED |
| 707418-707 | GREEN |
| 707418-708 | FUCHSIA |

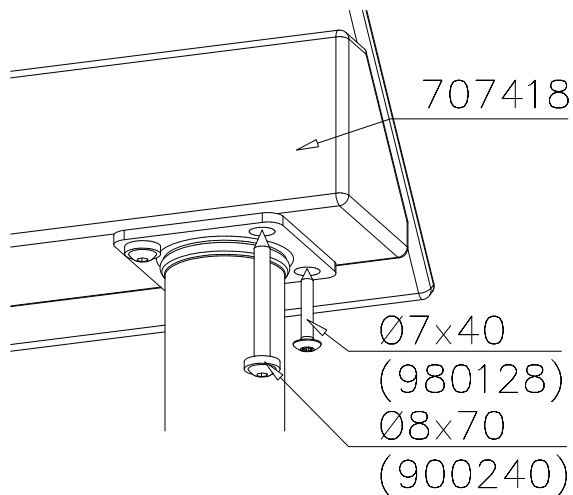
DET 1

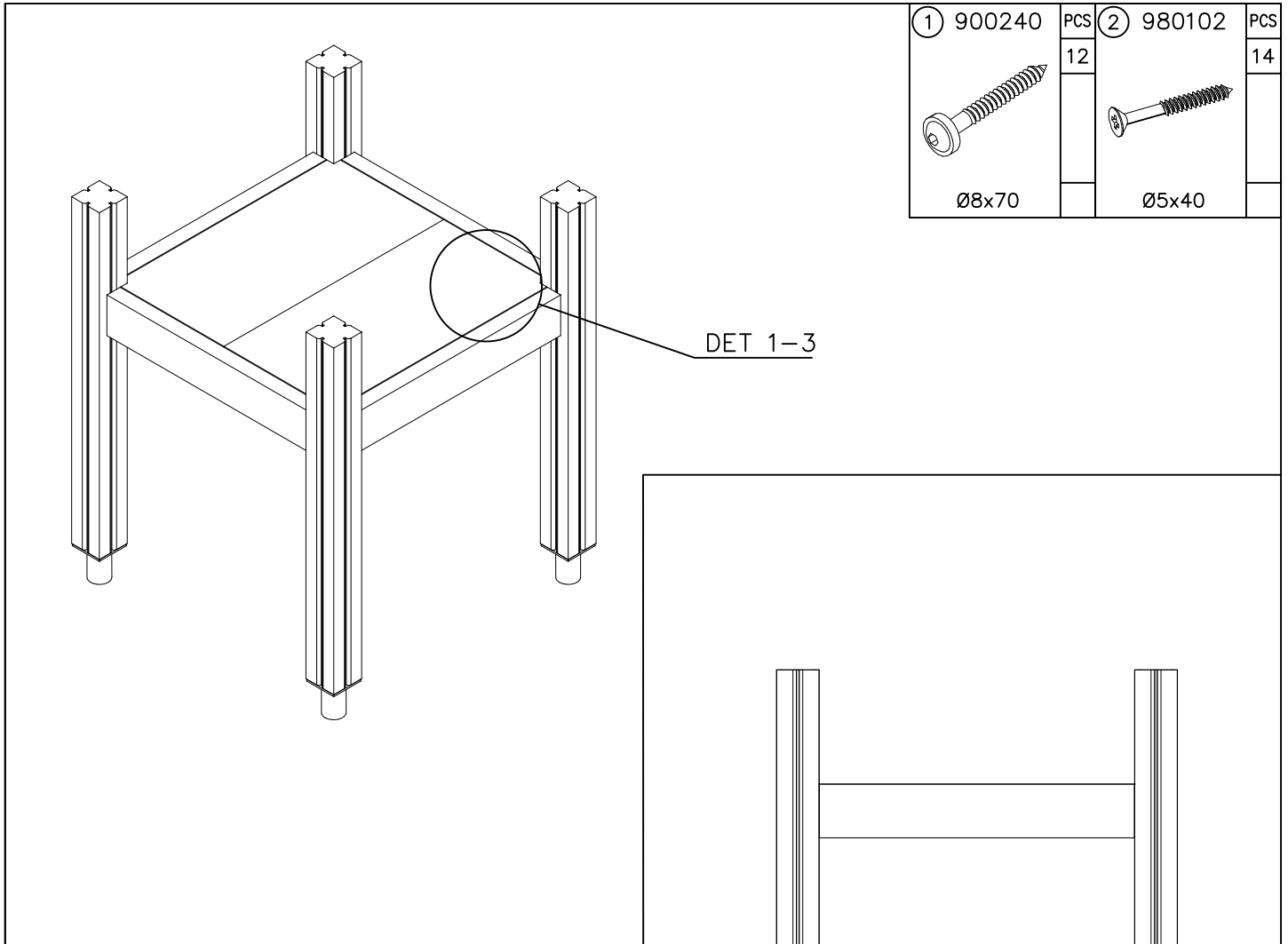


DET 2



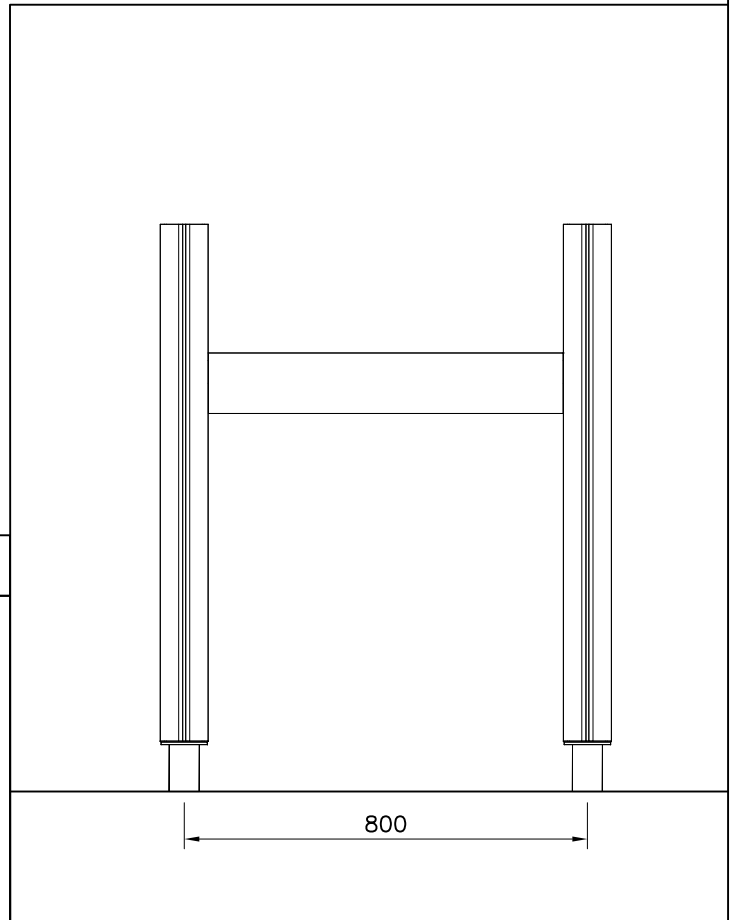
DET 3





| | | | |
|----------|-----|----------|-----|
| ① 900240 | PCS | ② 980102 | PCS |
| | 12 | | 14 |
| Ø8x70 | | Ø5x40 | |

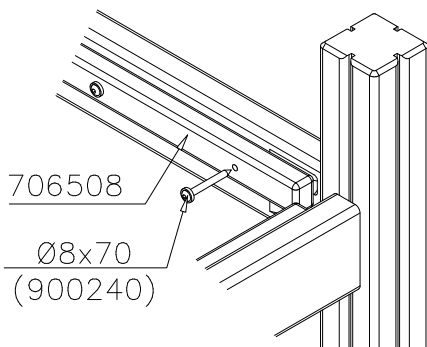
DET 1-3



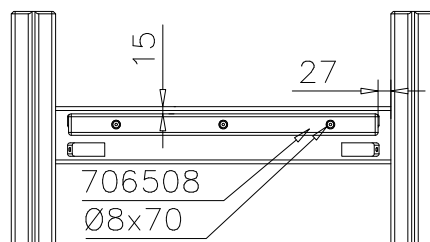
FLOOR OPTIONS

| | | |
|----------------|------------|------------|
| 15x375x750 | 707327-701 | BLUE |
| | 707327-702 | YELLOW |
| | 707327-703 | LIME |
| | 707327-704 | DARK GRAY |
| | 707327-705 | LIGHT GRAY |
| | 707327-706 | RED |
| | 707327-707 | GREEN |
| | 707327-708 | FUXIA |

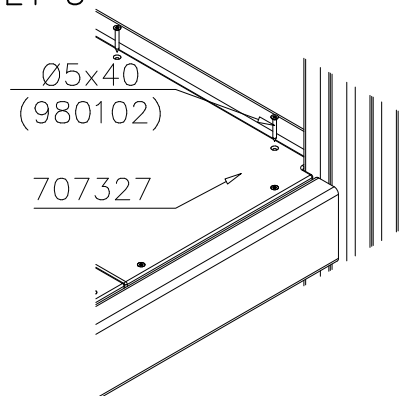
DET 1

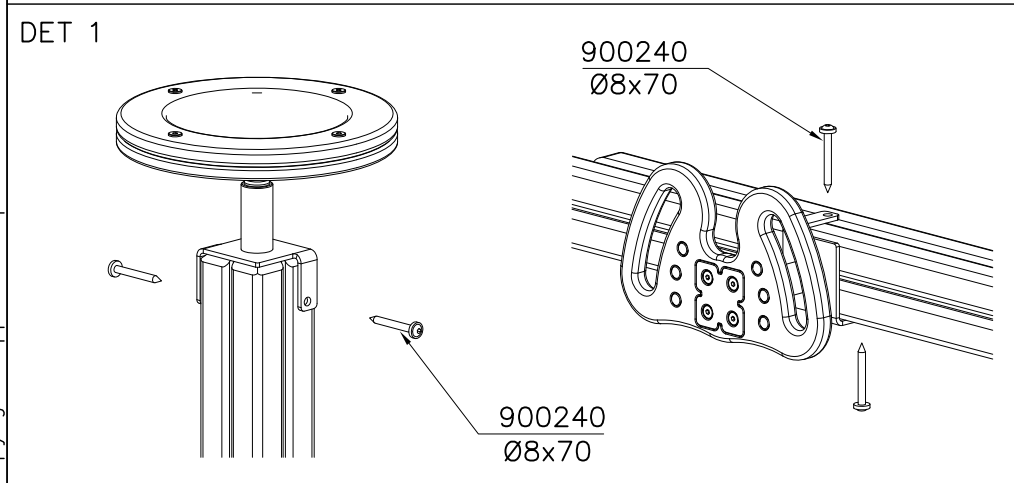
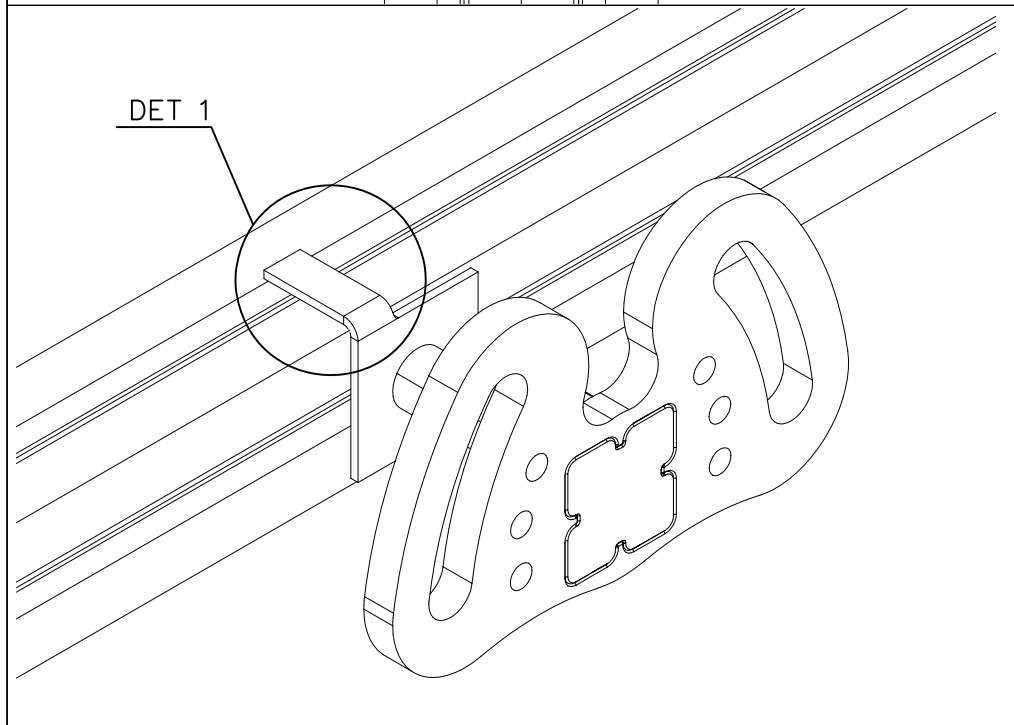
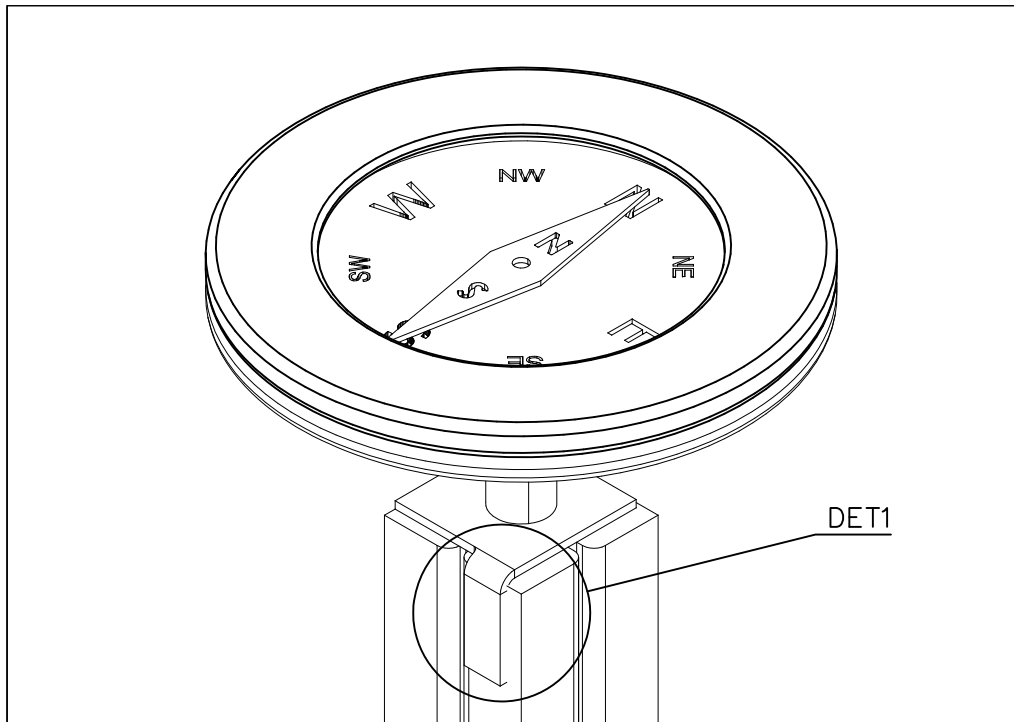


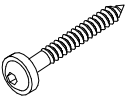

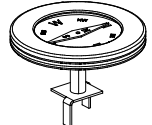
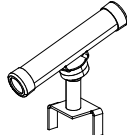
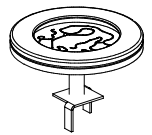
DET 2

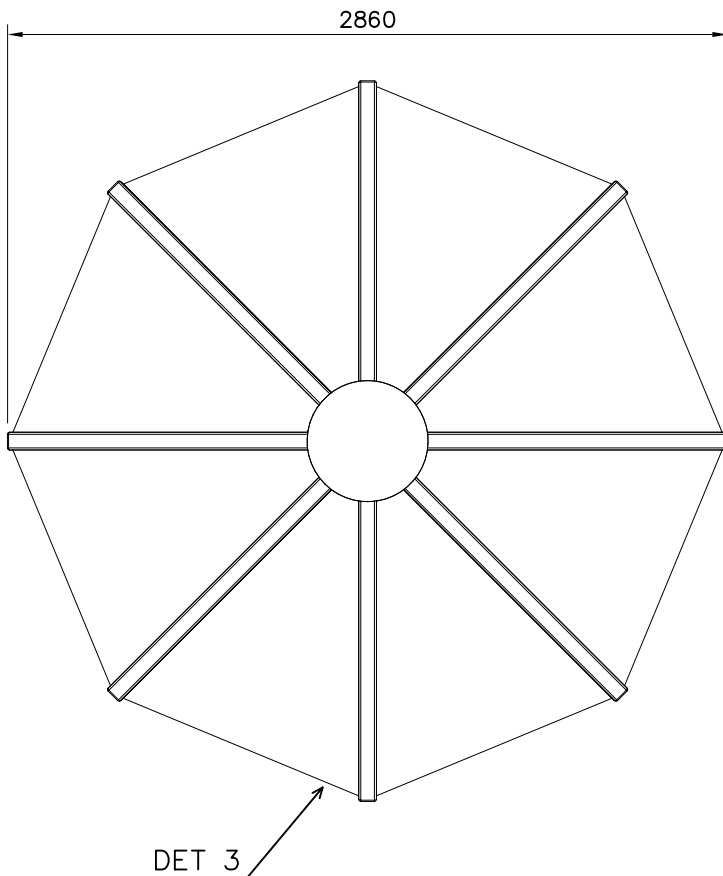
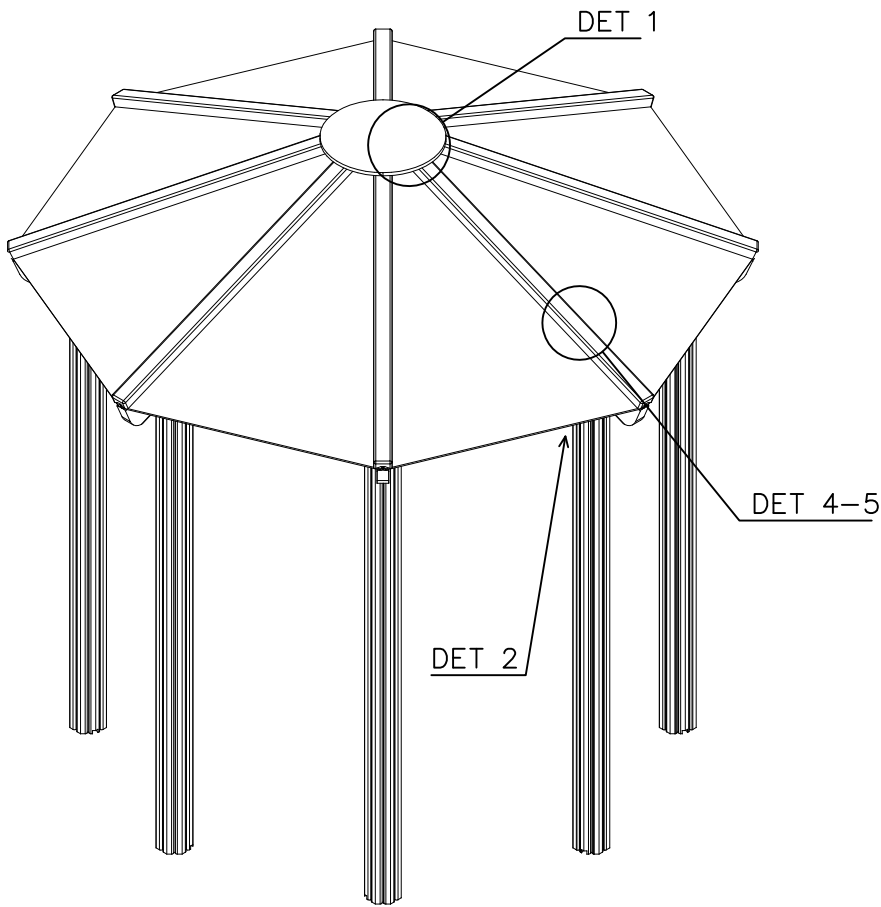





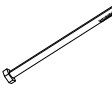




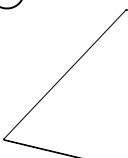
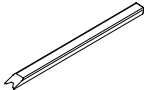



DET 3



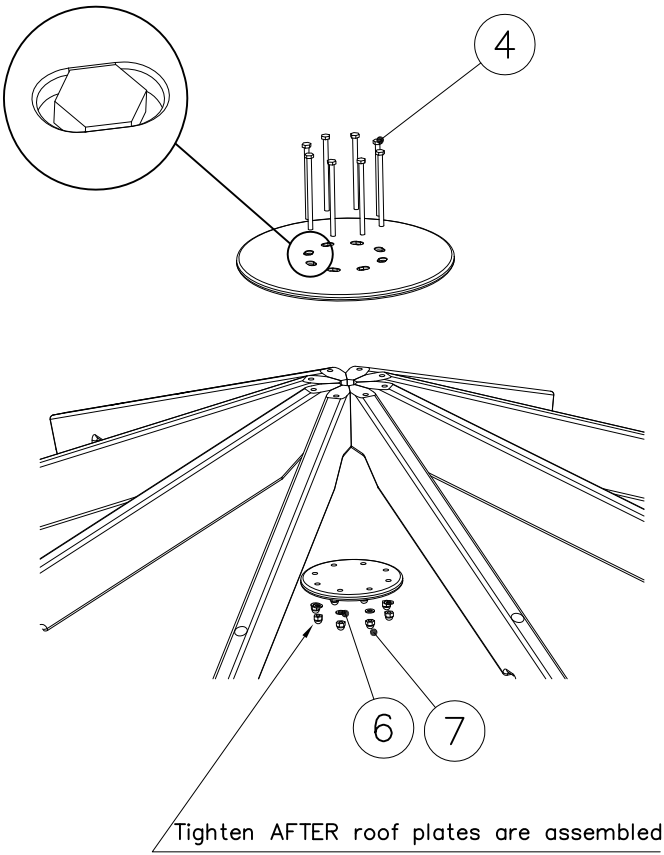


| | | | |
|---|-----|---|-----|
| ① 900240 | PCS | | PCS |
|  | 2 | | |
| Ø8x70 | | | |
| | PCS | | PCS |
| | | | |
| | PCS | | PCS |
| | | | |
| ○ 707302 | PCS | ○ 707303 | PCS |
|  | 1 |  | 1 |
| | | | |
| ○ 707304 | PCS | ○ 707305 | PCS |
|  | 1 |  | 1 |
| | | | |
| | PCS | | PCS |
| | | | |
| | PCS | | PCS |
| | | | |

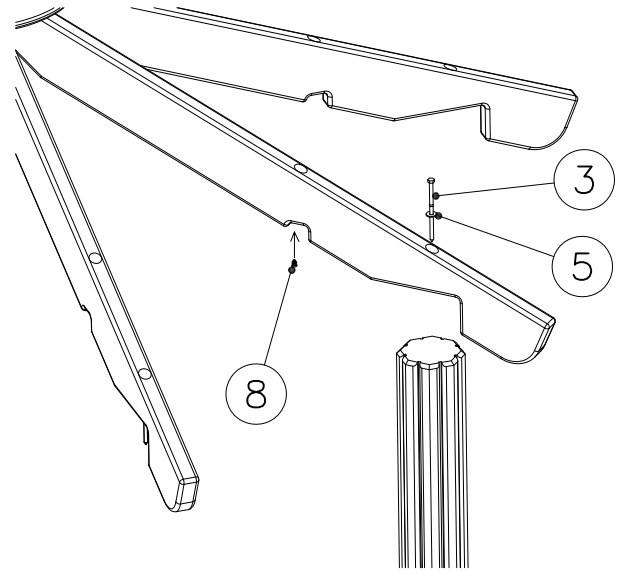


| | | | | | |
|---|---|-----|---|---|-----|
| ① | 980100 | PCS | ② | 980104 | PCS |
| | | 48 | | | 32 |
| |  | | |  | |
| | Ø5x60 | | | Ø5x90 | |
| ③ | 909230 | PCS | ④ | 900208 | PCS |
| | | 8 | | | 8 |
| |  | | |  | |
| | 8x150 | | | M10x170 | |
| ⑤ | 905051 | PCS | ⑥ | 901302 | PCS |
| | | 8 | | | 8 |
| |  | | |  | |
| | Ø24/8.4 | | | Ø20/10.5 | |
| ⑦ | 900965 | PCS | ⑧ | 903533 | PCS |
| | | 8 | | | 8 |
| |  | | |  | |
| | M10 | | | SRL12 TO Ø9 | |
| | | PCS | | | PCS |
| | | | | | |
| ○ | 707667 | PCS | ○ | 707688 | PCS |
| | | 8 | | | 8 |
| |  | | |  | |
| | 10x1295x1075 | | | 45x70x1385 | |
| ○ | 707689 | PCS | ○ | 707691 | PCS |
| | | 8 | | | 1 |
| |  | | |  | |
| | 45x145x1495 | | | 15xØ480 | |
| ○ | 707692 | PCS | | | PCS |
| | | 1 | | | |
| |  | | | | |
| | 15xØ225 | | | | |

DET 1

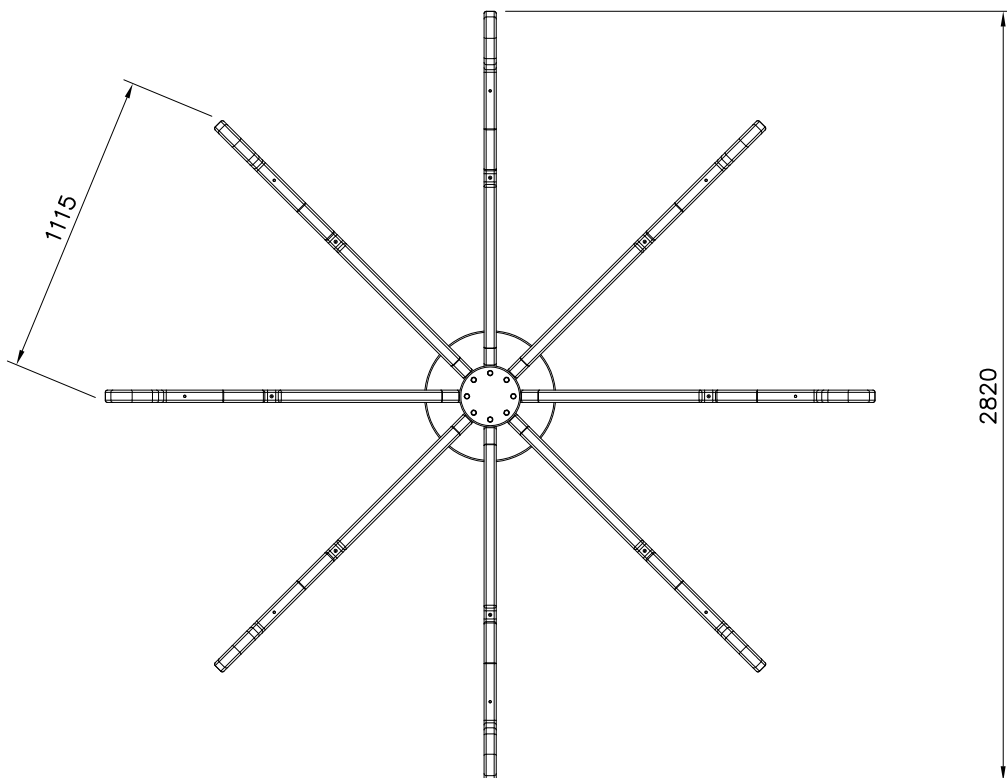


DET 2

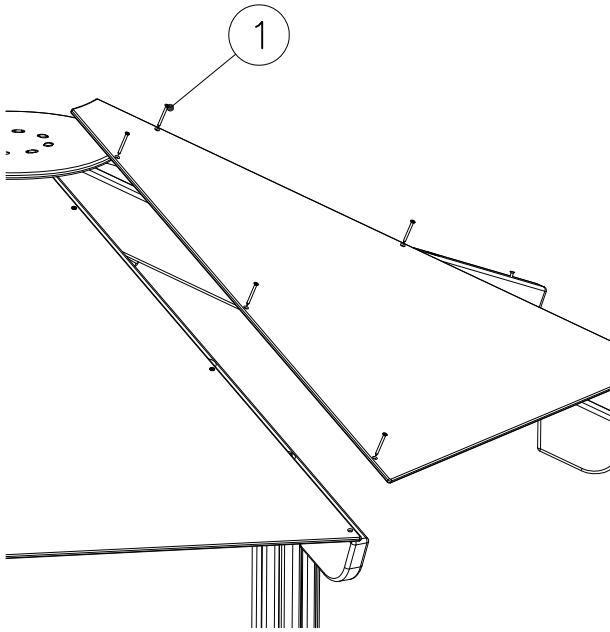


DET 3

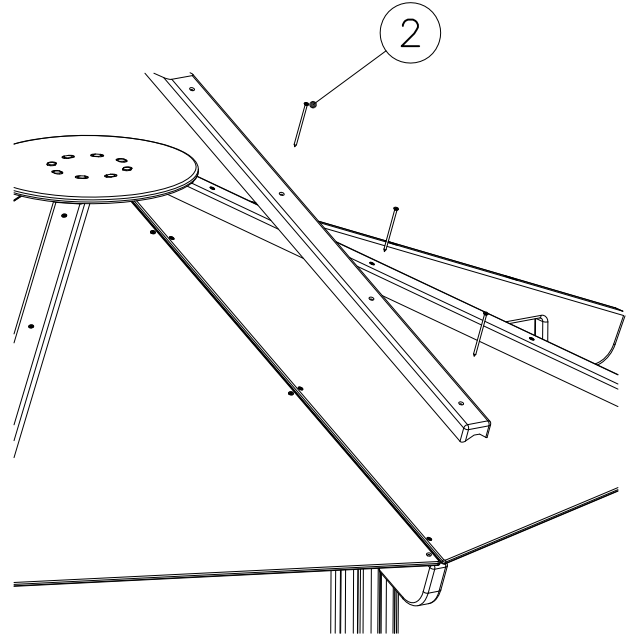
Check measures




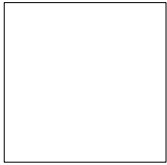
DET 4



DET 5

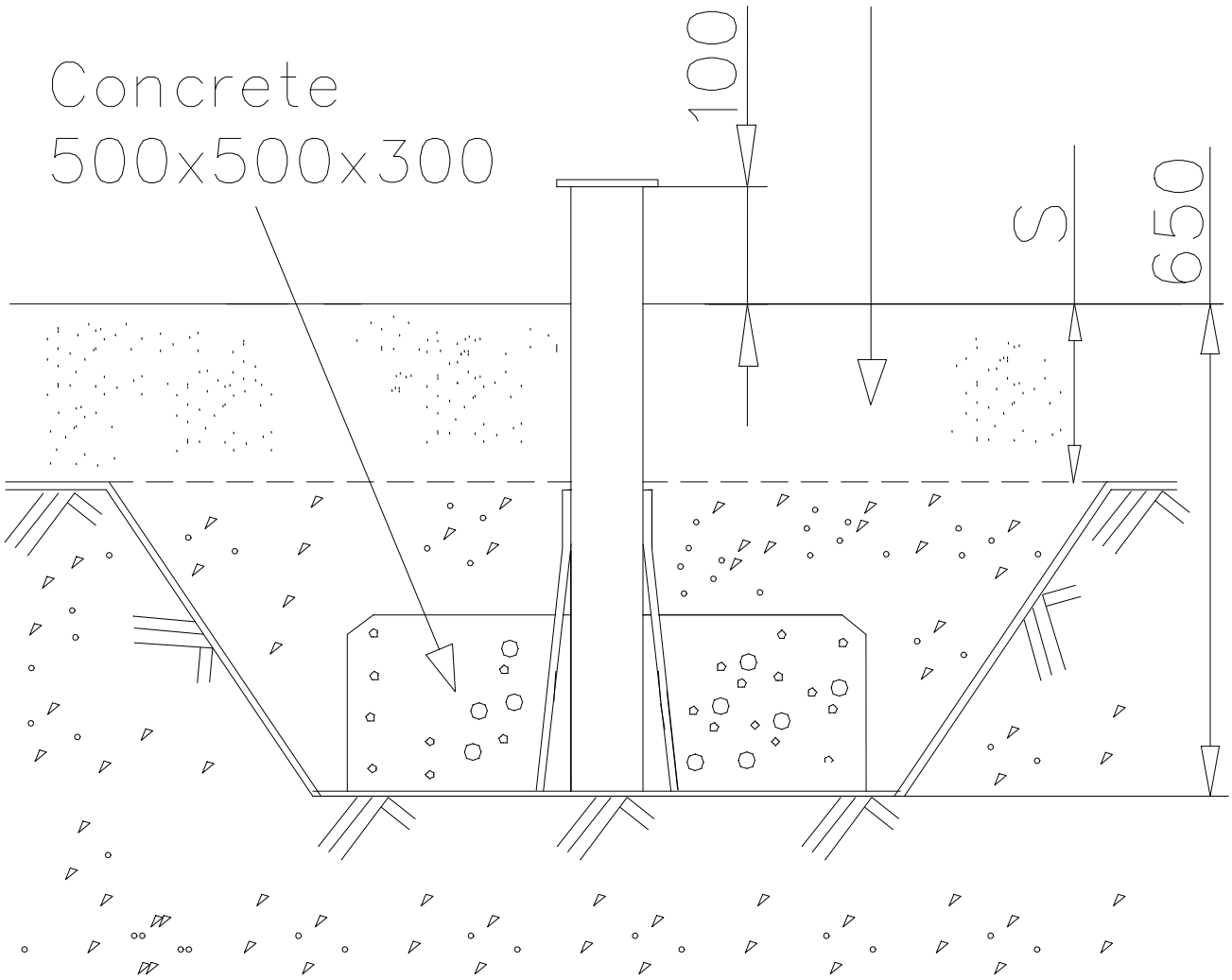


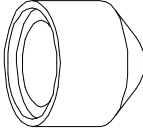
| | | | |
|---|-----|--|-----|
| ○ 903112 | PCS | | PCS |
|  | 1 | | |
| L 750 | | | |

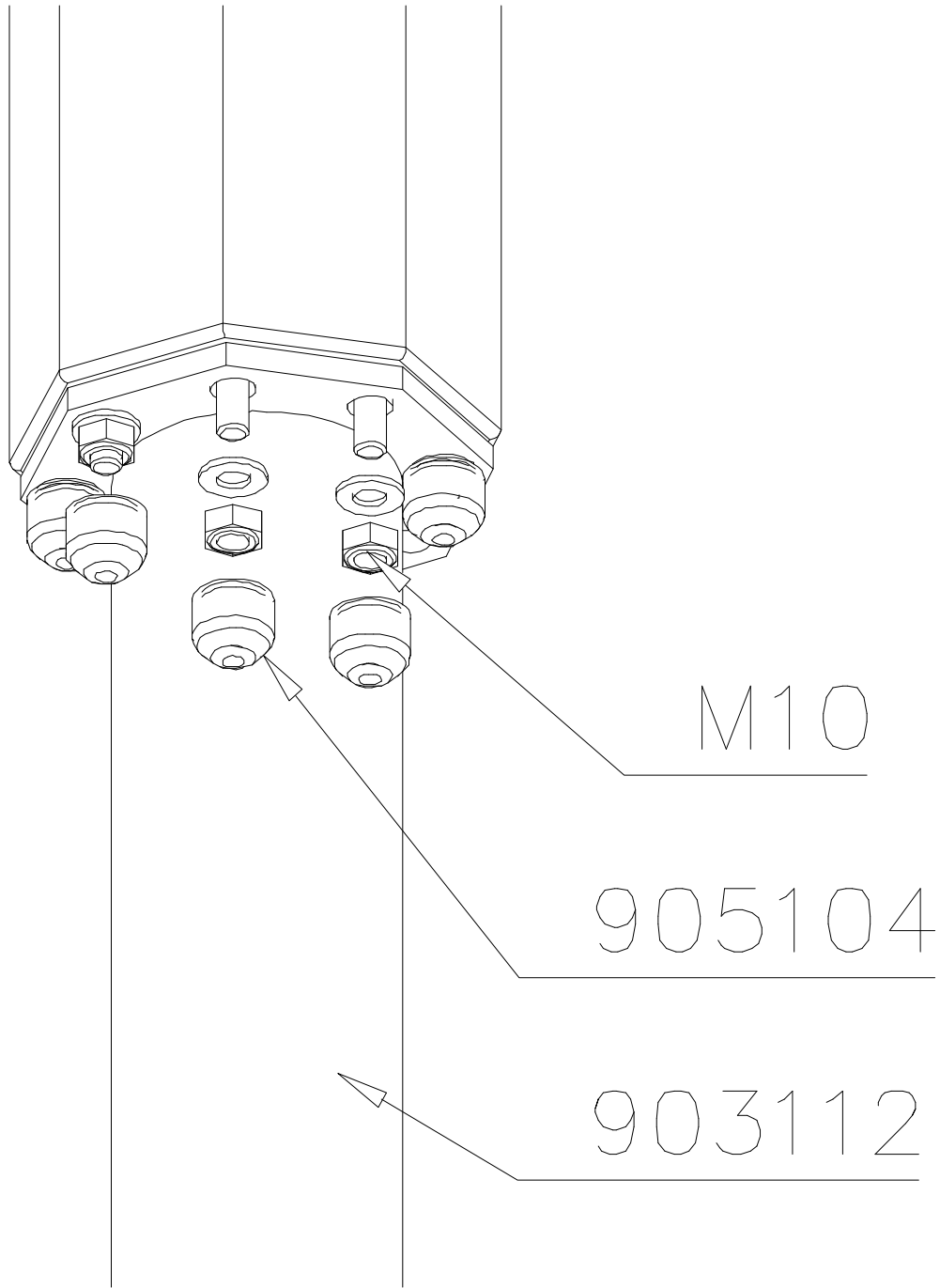


Sand 0.2–2 mm /
 Gravel 2–8 mm

Concrete
 500x500x300



| | | | |
|---|-----|--|-----|
| ① 905104 | PCS | | PCS |
|  | 8 | | |
| M10 | | | |





Tuotekyltti tulee tuotteen mukana yhdellä seuraavista tavoista:

1) Metallinen tuotekyltti ja kiinnitysruuvit

- Kiinnitä tuotekyltti ruuveilla tolppaan noin 2 metrin korkeuteen kuvan 1 mukaisesti.

2) Tuotekylttitarra

- Puhdista maalattu metalli- tai vaneripinta pölystä ja kosteudesta. Liimaa tarra kuvan 2 mukaisesti.
- Huom. Älä kiinnitä tarraa karheapintaiseen laminaattiin tai maalattuun puuhun.

Vår produktmärkning levereras på ett av följande sätt:

1) Produktskylt i metall

- Fäst skylten med de medföljande skruvarna

2) Självhäftande produktetikett

- Rengör den pulverlackerade metallytan eller laminatyten så att den blir fri från smuts och fukt. Fäst etiketten enligt fig. 2.
- Obs! Fäst ej etiketten på detaljer med skrovlig yta eller på målat trä.

Product label is delivered by one of following ways:

1) Metal product label and screws

- Fasten the label with screws.

2) Label sticker

- Clean the painted metal or plywood surface from dirt and moisture. Fasten the sticker as shown in the figure 2.
- Note. Do not attach the sticker to rough surfaced laminate or painted wood.

La plaque d'informations produit est livrée sous l'une de ces 3 formes :

1) Plaque métallique et vis

- Fixez la plaque à l'aide des vis.

2) Etiquette autocollante

- Avant de coller l'étiquette, nettoyez le composant métallique peint ou la plaque de contreplaqué, de toute saleté. La surface doit être sèche (voir image 2).
- Attention, ne pas coller l'étiquette sur une surface lamellé-collée irrégulière ou sur du bois peint.

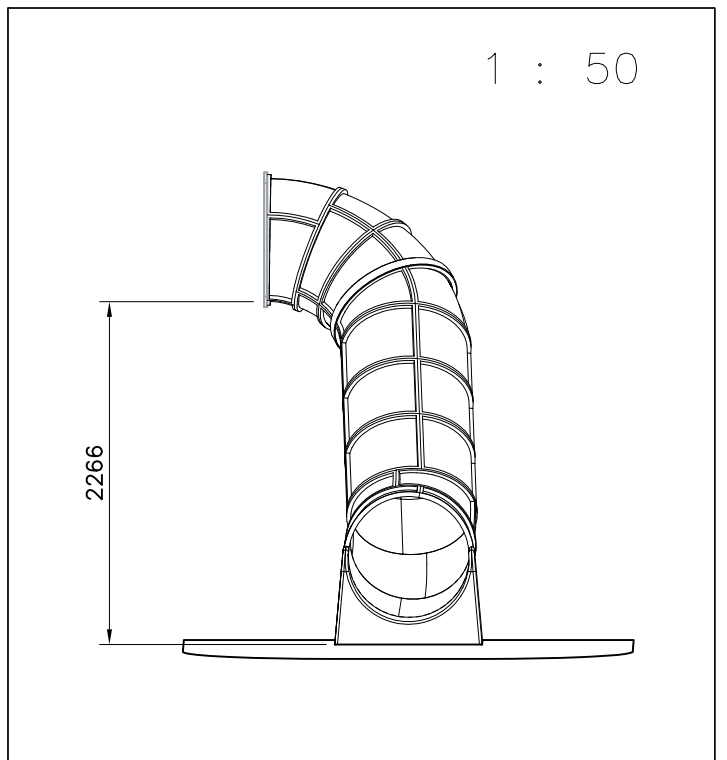
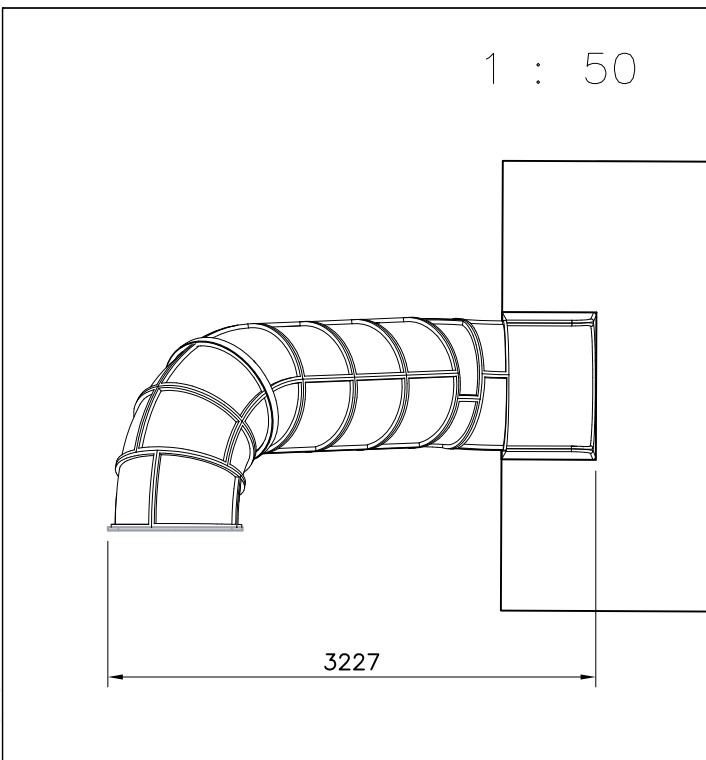
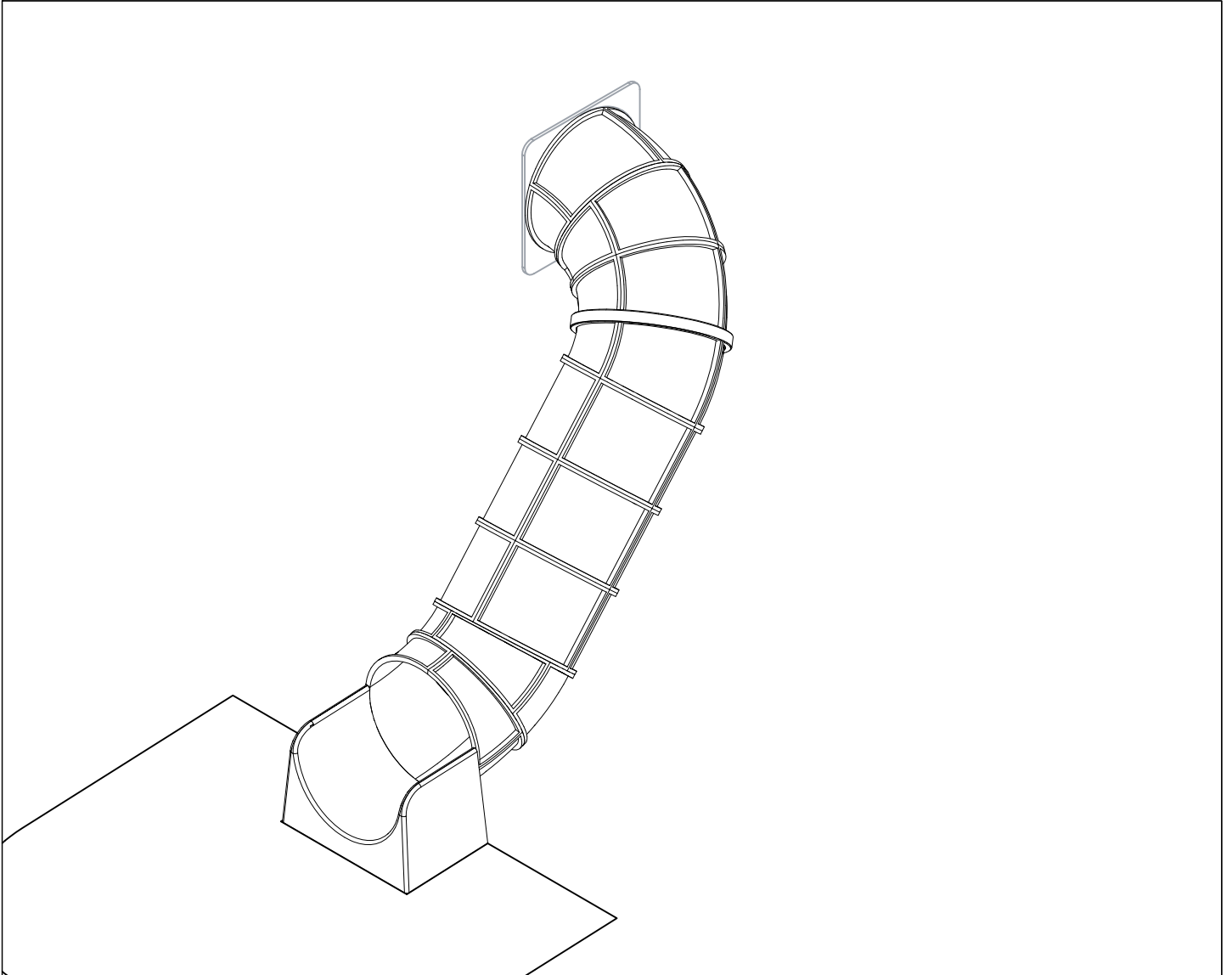
Die Auslieferung des Produktaufklebers erfolgt auf eine dieser Arten:


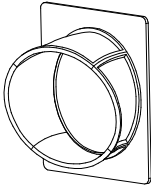
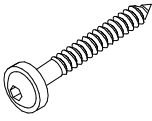
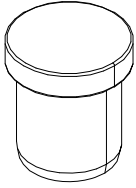


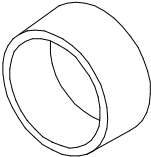
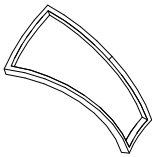
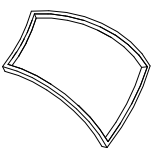
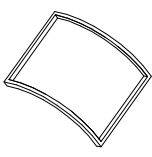
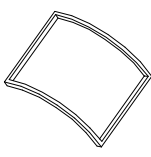

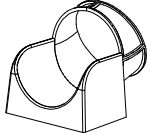

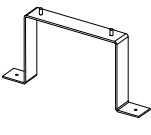
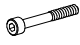


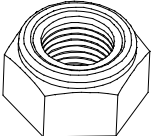

1) Produkt-Schild aus Metall incl. Schrauben

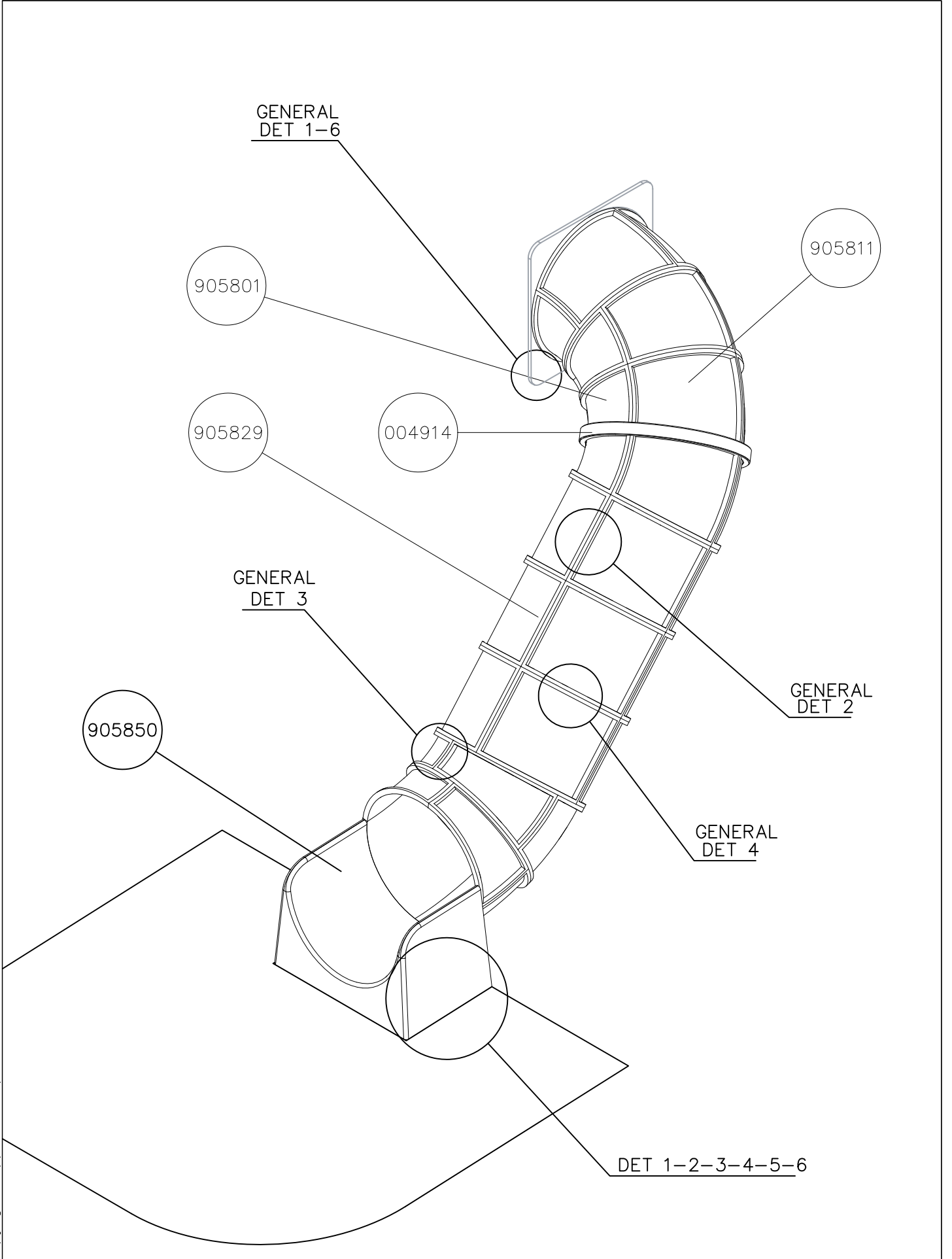
- Die Befestigung des Schildes erfolgt mittels der Schrauben.

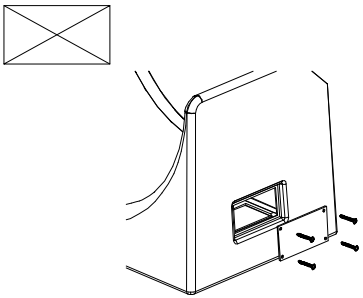
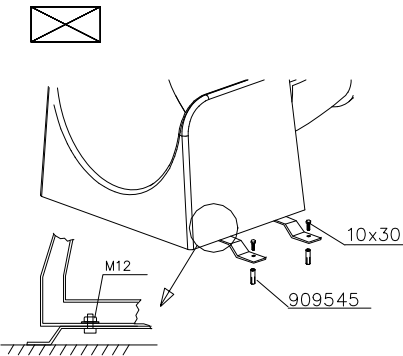
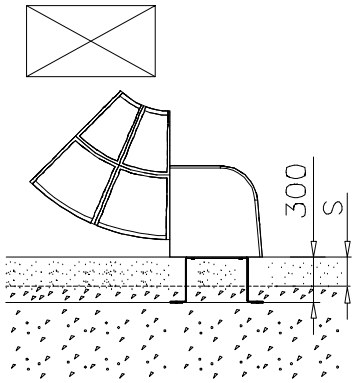
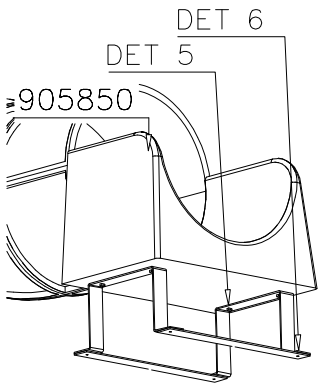
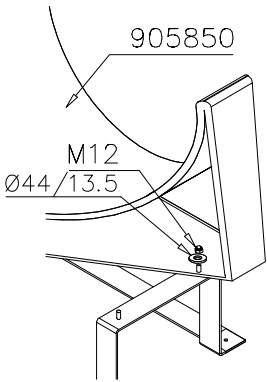
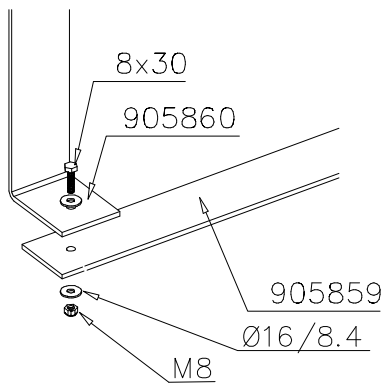
2) Aufkleber

- Entfernen Sie zunächst Schmutz und Feuchtigkeit vom lackierten Metall bzw. von der Holzoberfläche und bringen Sie den Aufkleber wie im Bild oben rechts beschrieben auf den gesäuberten Untergrund auf.
- Beachten Sie: Bringen Sie den Aufkleber nicht auf raues laminiertes oder lackiertes Holz an.



| | | | | | | | | | | | |
|---|-----|---|-----|---|-----|---|-----|---|-----|---|-----|
| | PCS | 004914 | PCS | 707918-705 | PCS | 900240 | PCS | 903533 | PCS | 905086 | PCS |
| | |  | 1 |  | 1 |  | 14 |  | 6 |  | 4 |
| | |  | | | | Ø8x70 | | SRL12 | | Ø44/13.5 | |
| 905112 | PCS | 905801 | PCS | 905811 | PCS | 905821 | PCS | 905829 | PCS | 905831 | PCS |
|  | 456 |  | 8 |  | 8 |  | 6 |  | 6 |  | 392 |
| BLACK Ø22 | | GREY | | GREY | | GREY | | TRANSPARENT | | BLACK | |
| 905850 | PCS | 905859 | PCS | 905860 | PCS | 909205 | PCS | 909248 | PCS | 909274 | PCS |
|  | 1 |  | 2 |  | 2 |  | 196 |  | 4 |  | 4 |
| | | 6x80x850 | | | | 8x60 | | M12 | | 8x30 | |
| 980150 | PCS | 980151 | PCS | | PCS | | PCS | | PCS | | PCS |
|  | 200 |  | 8 | | | | | | | | |
| M8 | | Ø16/8.4 | | | | | | | | | |
| | PCS | | PCS | | PCS | | PCS | | PCS | | PCS |
| | | | | | | | | | | | |
| | PCS | | PCS | | PCS | | PCS | | PCS | | PCS |
| | | | | | | | | | | | |

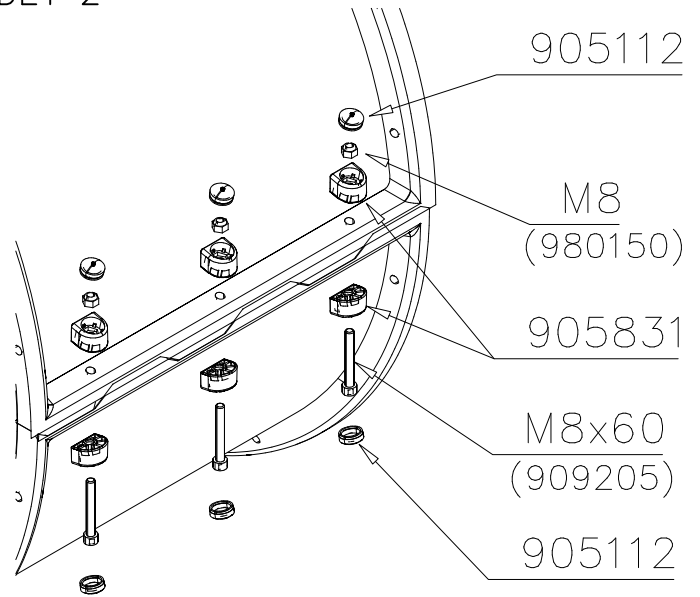


| | | |
|---|--|--|
| <p>DET 1</p>  <p>Access- and maintenance panel. Asennus- ja huolto luukku.</p> | <p>DET 2</p>  <p>10x30 909545</p> | <p>DET 3</p>  <p>300 S</p> |
| <p>DET 4</p>  <p>DET 6 DET 5 905850</p> | <p>DET 5</p>  <p>905850 M12 Ø44/13.5</p> | <p>DET 6</p>  <p>8x30 905860 905859 Ø16/8.4 M8</p> |
| | | |
| | | |

DET 1



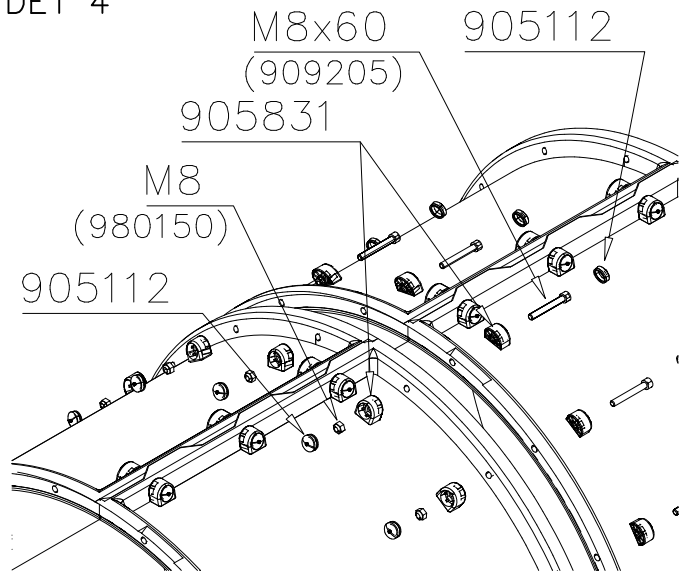
DET 2



DET 3



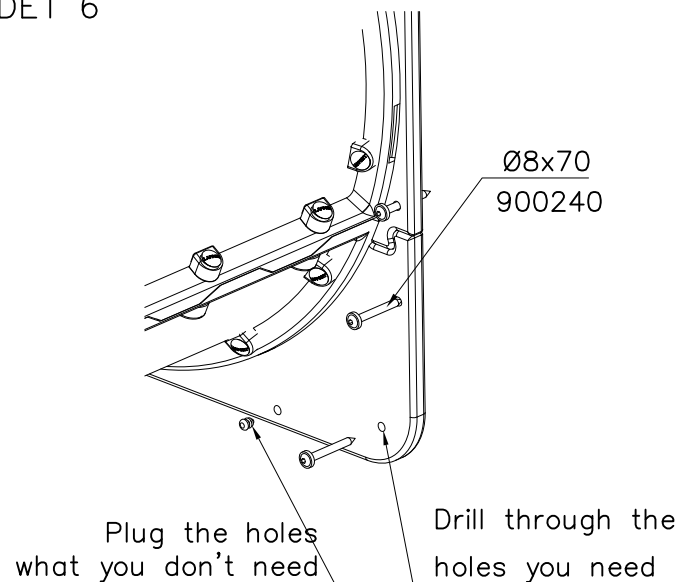
DET 4

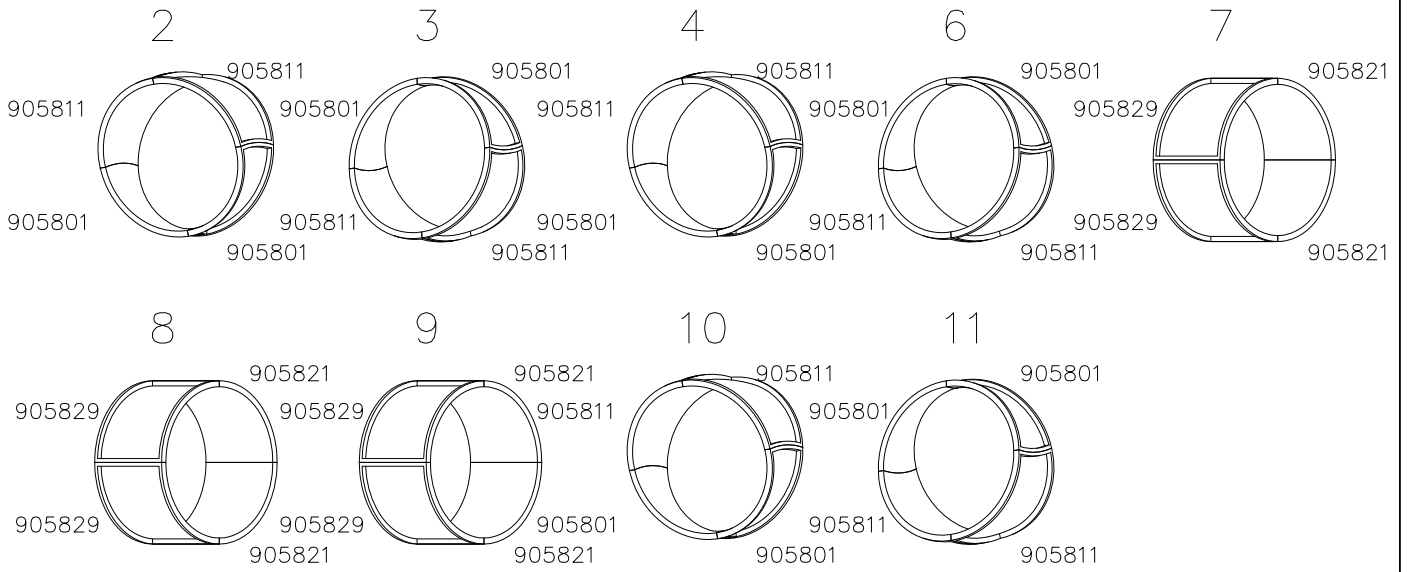


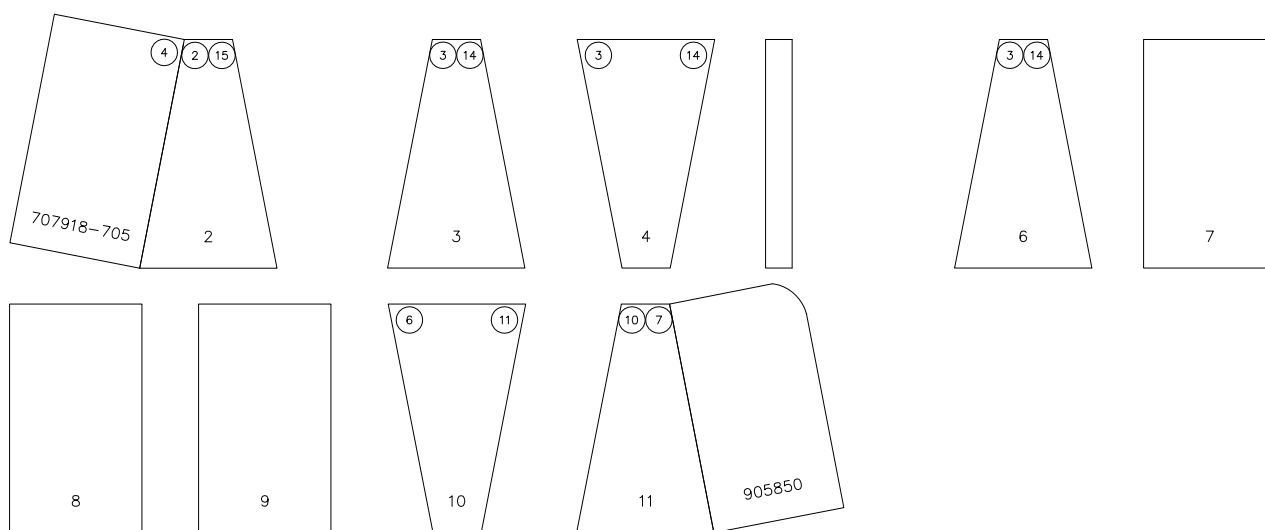
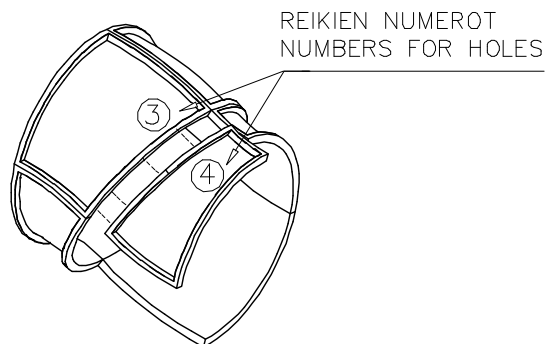
DET 5



DET 6

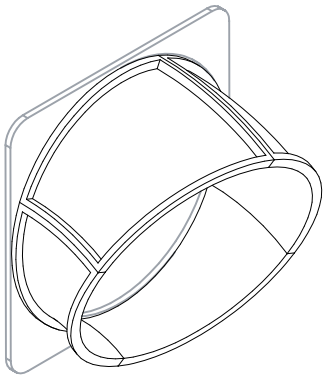
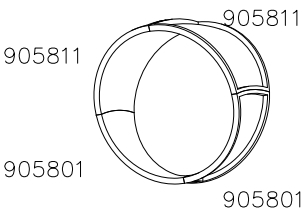


















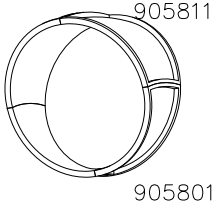
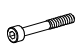


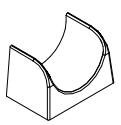


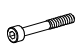


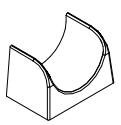




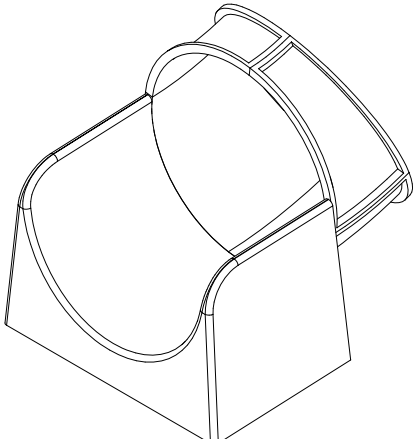
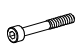


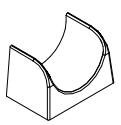




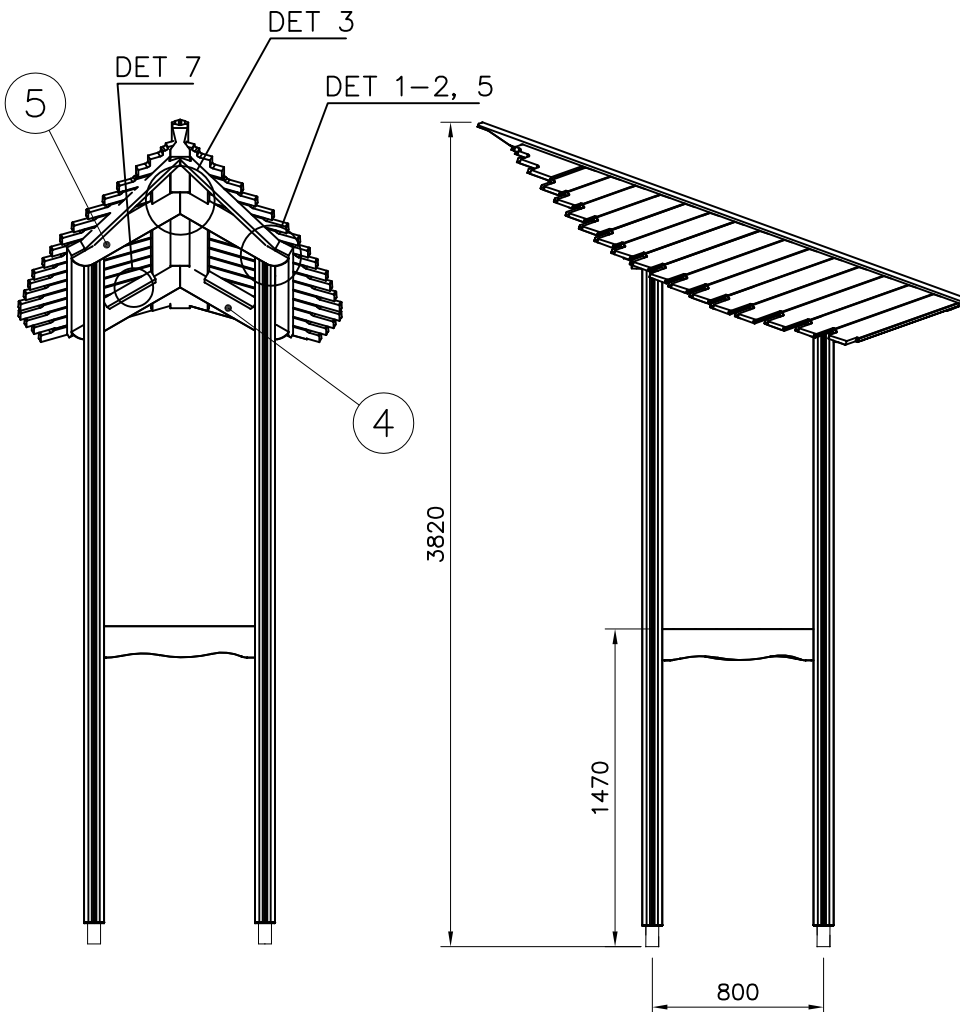
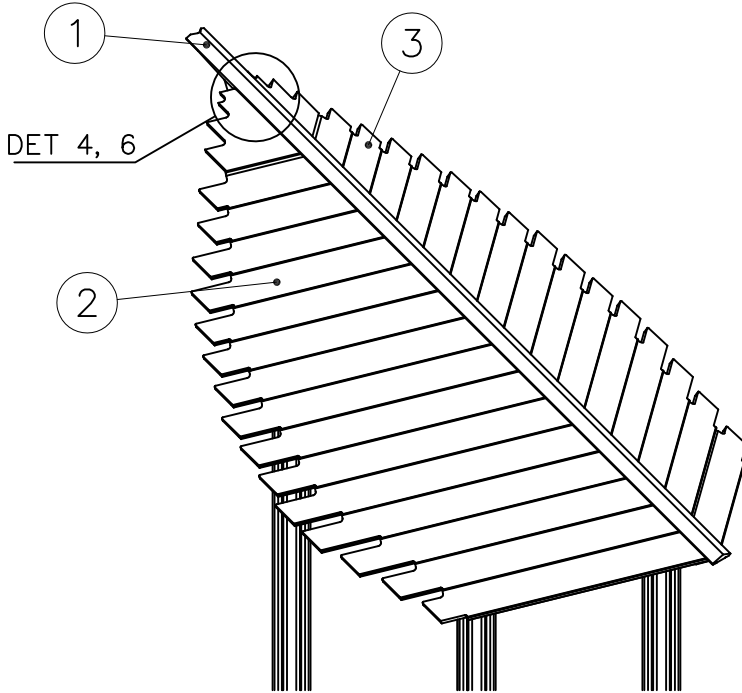


Esimerkki putken kokoamisesta
Example of installation**LIUKUPINTAAN EI SAA TULLA**
LÄPINÄKYVIÄ MODUULEJA!!**NO TRANSPARENT PIECES ON**
SLIDING SURFACE!!

Valmiiksi kasattujen osien osakokoonpanot ja vara-osa listat.

Ready installed component subassemblies and spare part list.

| | | | | | | | | | | |
|---|--|--|--|---|---|---|--|--|--|--|
|  | <p style="text-align: center;">2</p>  <table border="1" data-bbox="893 929 1468 1310"> <tr> <td>707918-705 </td> <td>909205 x 8 </td> <td>980150 x 8 </td> </tr> <tr> <td>905831 x 32 </td> <td>909208 x 16 </td> <td>909119 x 16 </td> </tr> </table> | | | 707918-705  | 909205 x 8  | 980150 x 8  | 905831 x 32  | 909208 x 16  | 909119 x 16  | |
| 707918-705  | 909205 x 8  | 980150 x 8  | | | | | | | | |
| 905831 x 32  | 909208 x 16  | 909119 x 16  | | | | | | | | |
| <p style="text-align: center;">11</p>  <table border="1" data-bbox="167 1724 742 2094"> <tr> <td>909205 x 16 909206 x 8 </td> <td>980150 x 16 </td> <td>905831 x 32 </td> </tr> <tr> <td>905850 </td> <td>909208 x 8 </td> <td>980151 x 8 </td> </tr> </table> | 909205 x 16 909206 x 8  | 980150 x 16  | 905831 x 32  | 905850  | 909208 x 8  | 980151 x 8  | <p>909252 x 13 </p> <p>700413 x 1 </p> |  | | |
| 909205 x 16 909206 x 8  | 980150 x 16  | 905831 x 32  | | | | | | | | |
| 905850  | 909208 x 8  | 980151 x 8  | | | | | | | | |



| | | | |
|----------|-----|----------|-----|
| ① P12350 | PCS | ② P12353 | PCS |
| | 1 | | 1 |
| L=2400 | | | |
| ③ P12352 | PCS | ④ 705528 | PCS |
| | 1 | | 1 |
| ⑤ 705529 | PCS | ⑥ 900240 | PCS |
| | 1 | | 8 |
| | | Ø8x70 | |
| ⑦ 905087 | PCS | ⑧ 909137 | PCS |
| | 4 | | 4 |
| | | M12x160 | |
| ⑨ 909248 | PCS | ⑩ 980128 | PCS |
| | 4 | | 6 |
| M12 | | Ø7x40 | |
| ⑪ 980154 | PCS | | PCS |
| | 4 | | |
| Ø24/13 | | | |
| | PCS | | PCS |
| | | | |
| | PCS | | PCS |
| | | | |

| | | |
|--|--|--|
| <p>DET 1</p> <p>705529 705528</p> | <p>DET 2</p> <p>905087 909137 980154 909248</p> | <p>DET 3</p> <p>Ø7x40 705190</p> <p>NOTE Center boom grooves accurately to the roof truss. Leave no gaps! HUOM Asenna puomi keskelle kattotuolia. Älä jätä rakoja!</p> |
| <p>DET 4</p> <p>P12353</p> <p>NOTE: Head of the element to the end of groove. HUOM: Elementin pää uran päähän.</p> | <p>DET 5</p> <p>NOTE: Install booms in to the cut of the roof truss. Leave no gaps! HUOM: Asenna puomit kattotuolin loveen. Älä jätä rakoja!</p> | <p>DET 6</p> <p>P12350</p> <p>Ø7x40</p> |
| <p>DET 7</p> <p>Ø8x70</p> | | |
| | | |