



**LAPPSET®**  
**BETON FOUNDATION**

**FOOT**

DATE: 27.10.2015

**1(1)**

|  |     |  |     |
|--|-----|--|-----|
| ② 905104   | PCS |  | PCS |
|  | 4   |  |     |
| <br>M10 | PCS |  | PCS |
|  |     |  |     |



905104


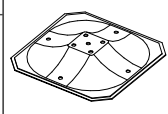
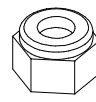
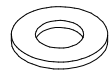
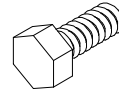
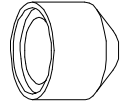

# LAPPSET® DEEP FOUNDATION

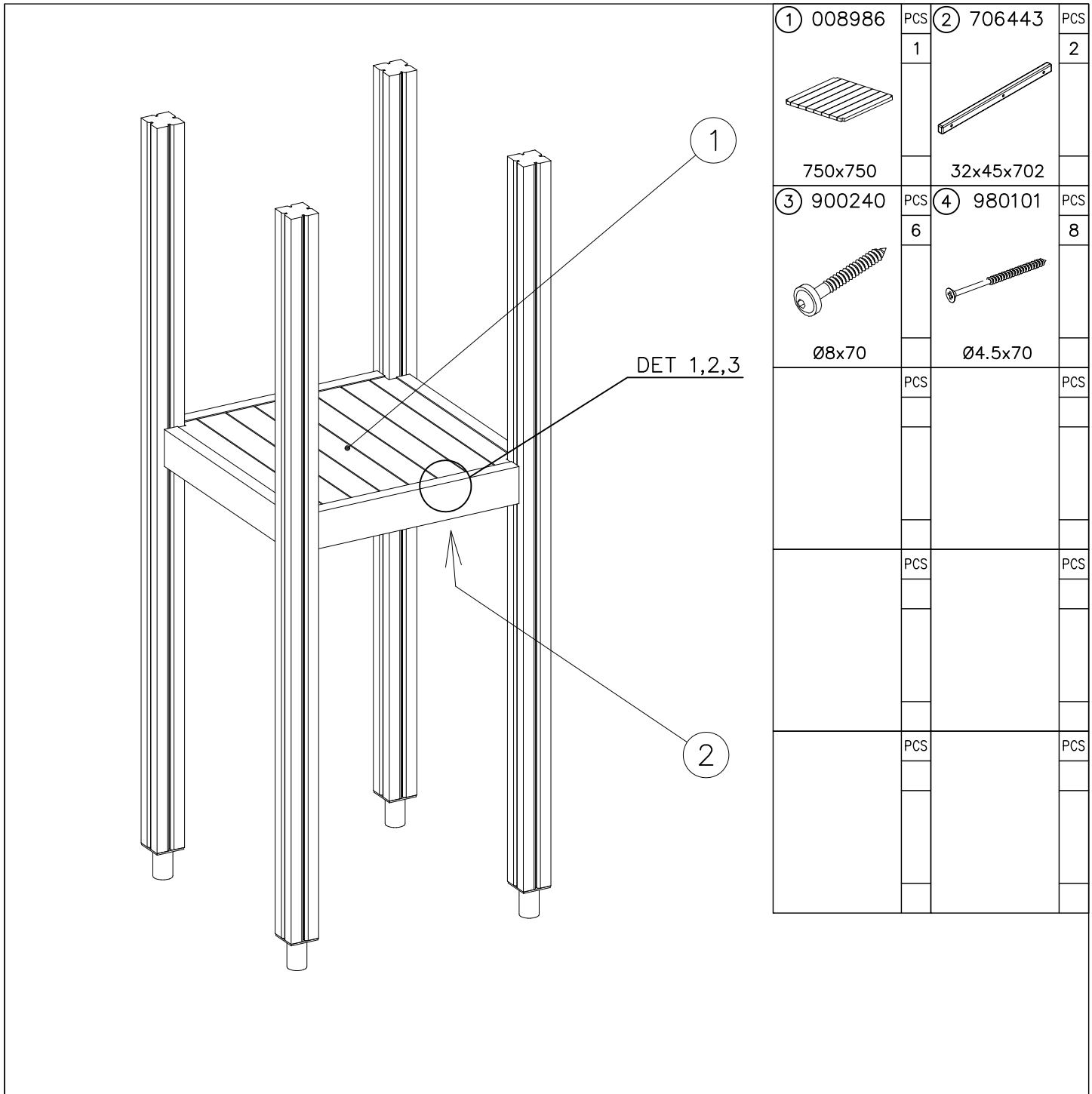
# FOOT

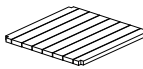
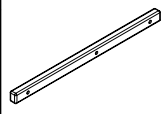
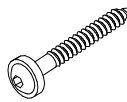

DATE: 15.5.2018

1(1)



|             |   |     |   |   |     |
|-------------|---|-----|---|---|-----|
| ①           | 909511  | PCS | ② | 909519  | PCS |
|             |    | 1   |   |  | 1   |
|             | 90x90x650   |     |   | 50x380x380  |     |
| ③           | 909637  | PCS | ④ | 909638  | PCS |
|             |    | 4   |   |  | 8   |
|             | M10   |     |   | Ø20/10.5  |     |
| ⑤           | 909639  | PCS | ⑥ | 905104  | PCS |
|             |    | 4   |   |  | 4   |
|             | M10x25  |     |   | M10   |     |
| OPTION FOOT |   |     |   |   |     |
| ①           | 911155  | PCS |   |   | PCS |
|             |  | 1   |   |   |     |
|             | 90x90x650   |     |   |   |     |



|   |     |   |     |
|---|-----|---|-----|
| ① 008986  | PCS | ② 706443  | PCS |
|  | 1   |  | 2   |
| 750x750   |     | 32x45x702   |     |
| ③ 900240  | PCS | ④ 980101  | PCS |
|  | 6   |  | 8   |
| Ø8x70   |     | Ø4.5x70   |     |
|   | PCS |   | PCS |
|   |     |   |     |
|   | PCS |   | PCS |
|   |     |   |     |
|   | PCS |   | PCS |
|   |     |   |     |

DET 1

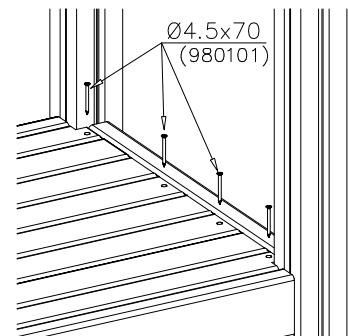


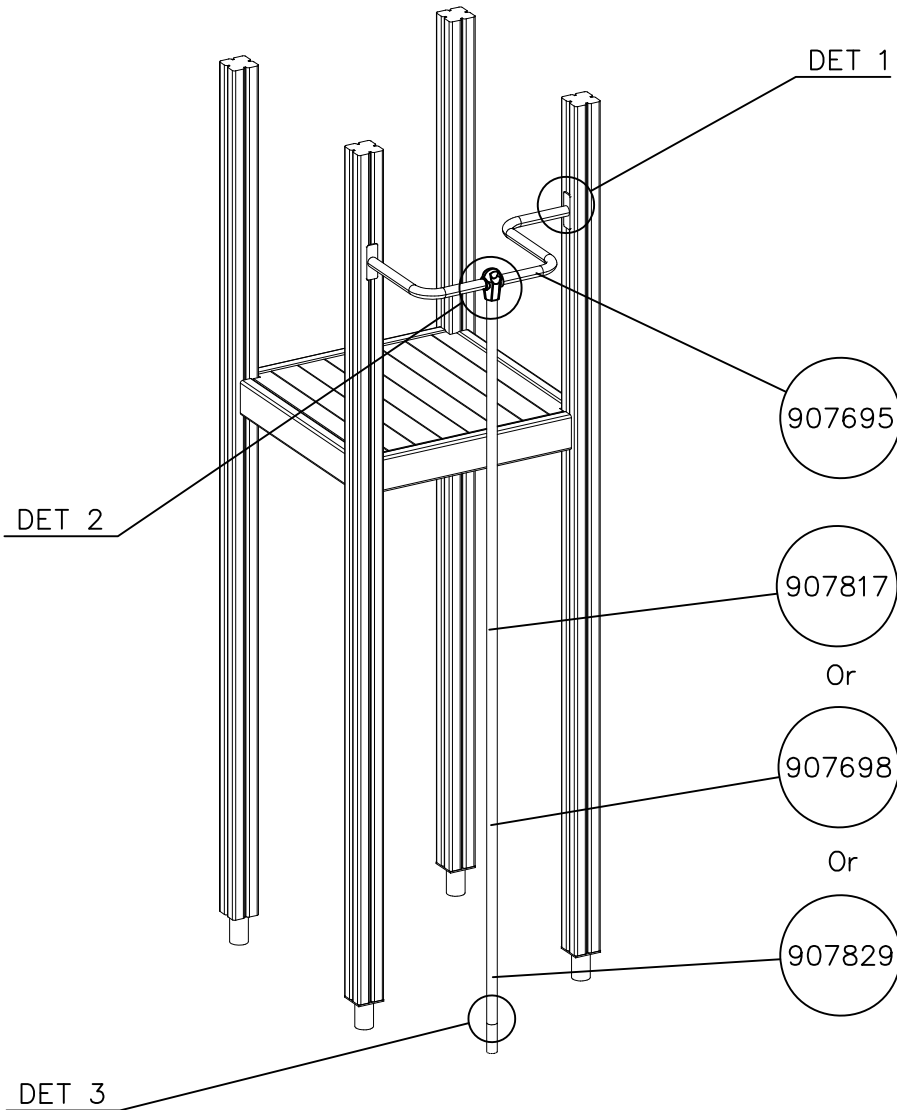
DET 2

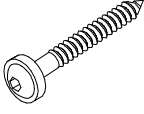
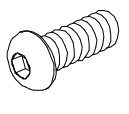


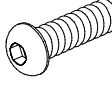

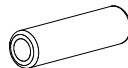




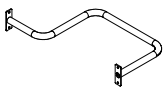
Naulanauha kannatinlistan puolelle.  
Nail list to the bottom.



DET 3





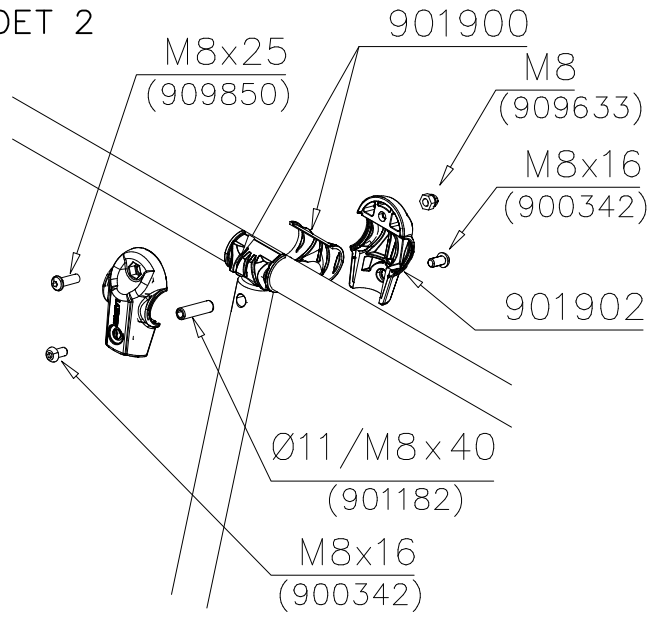
|   |          |   |          |
|---|----------|---|----------|
| ① 900240  | PCS<br>4 | ② 900342  | PCS<br>2 |
|    |          |    |          |
| Ø8x70   |          | M8x16   |          |
| ③ 901900  | PCS<br>2 | ④ 901939  | PCS<br>1 |
|    |          |    |          |
| 20.5x36.2x56  |          | M12x70  |          |
| ⑤ 909850  | PCS<br>1 | ⑥ 980150  | PCS<br>1 |
|    |          |    |          |
| M8x25   |          | M8  |          |
| ⑦ 901182  | PCS<br>1 | ⑧ 901902  | PCS<br>2 |
|  |          |  |          |
| Ø11/M8x40   |          | 30.7x60.9x100   |          |
|   | PCS      |   | PCS      |
|   |          |   |          |
|   | PCS      |   | PCS      |
|   |          |   |          |
| ○ 907829  | PCS<br>1 | ○ 907698  | PCS<br>1 |
|  |          |  |          |
| Ø33,7x1454  |          | Ø33,7x2054  |          |
| ○ 907817  | PCS<br>1 | ○ 907695  | PCS<br>1 |
|  |          |  |          |
| Ø33,7x2554  |          |   |          |



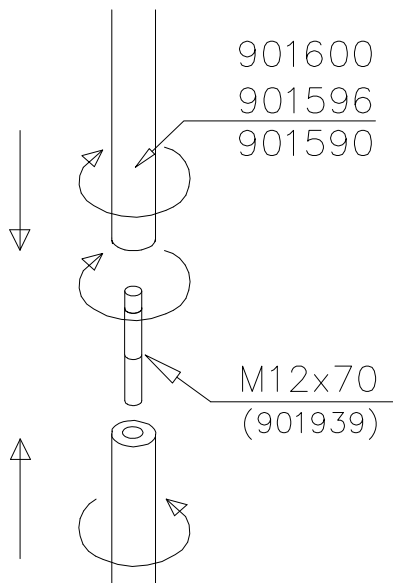
DET 1



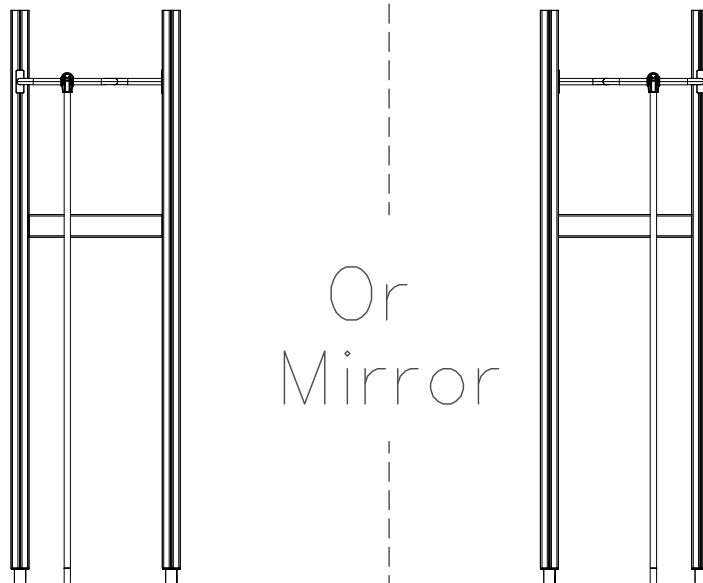
DET 2



DET 3



DET 4

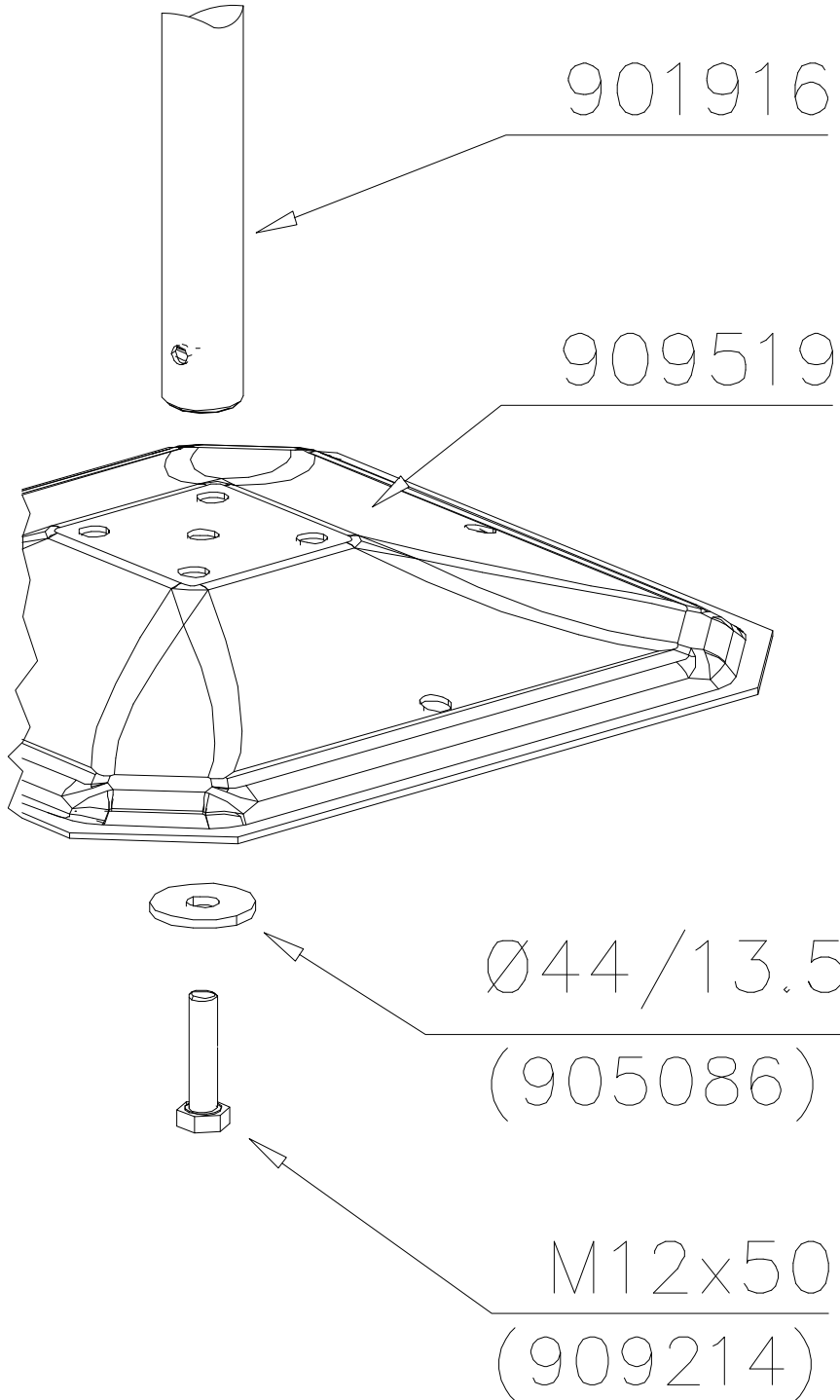
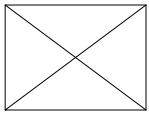


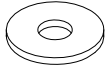
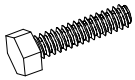
# LAPPSET® DEEP FOUNDATION

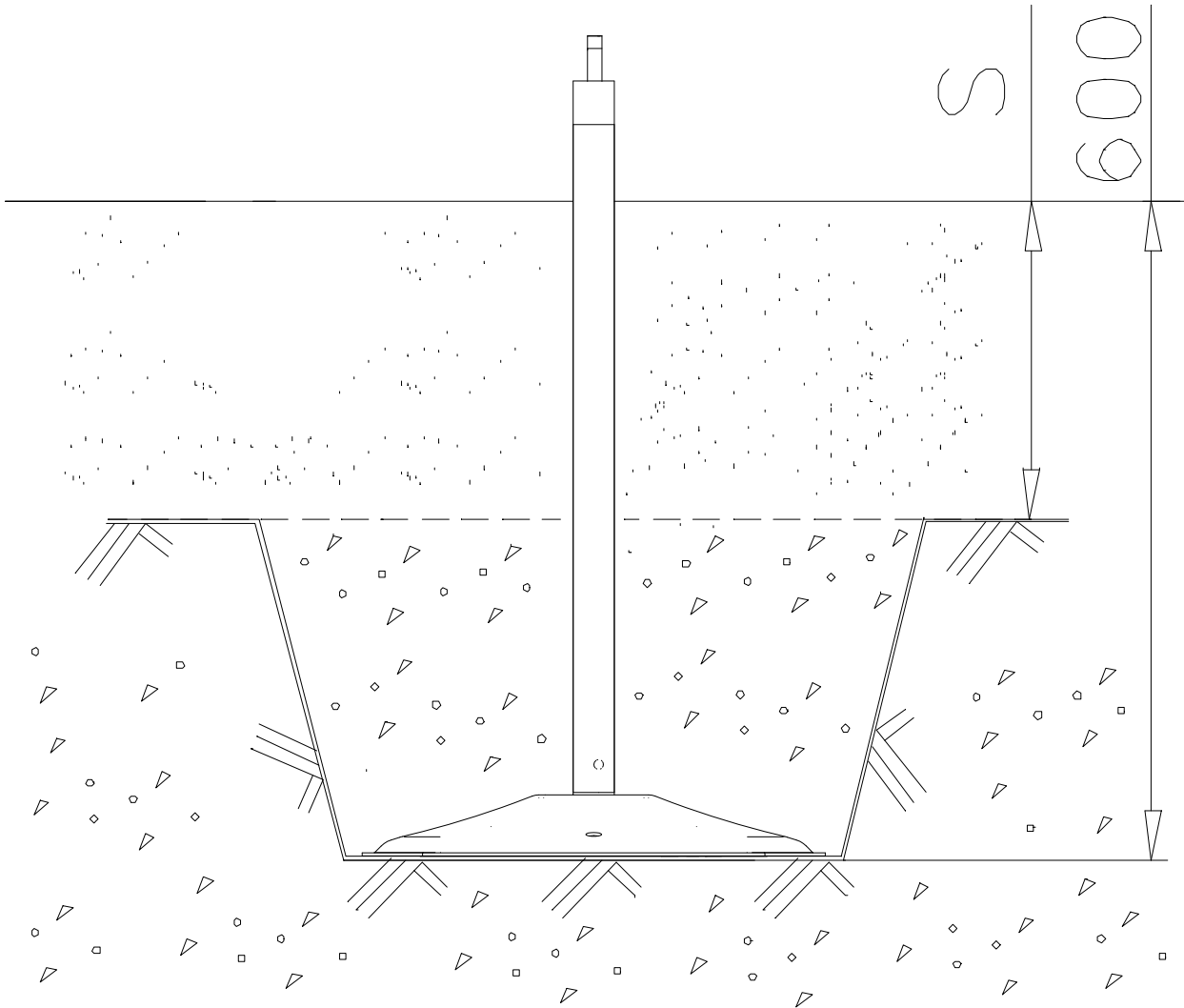
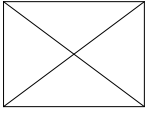
# POLE

DATE: 15.5.2014

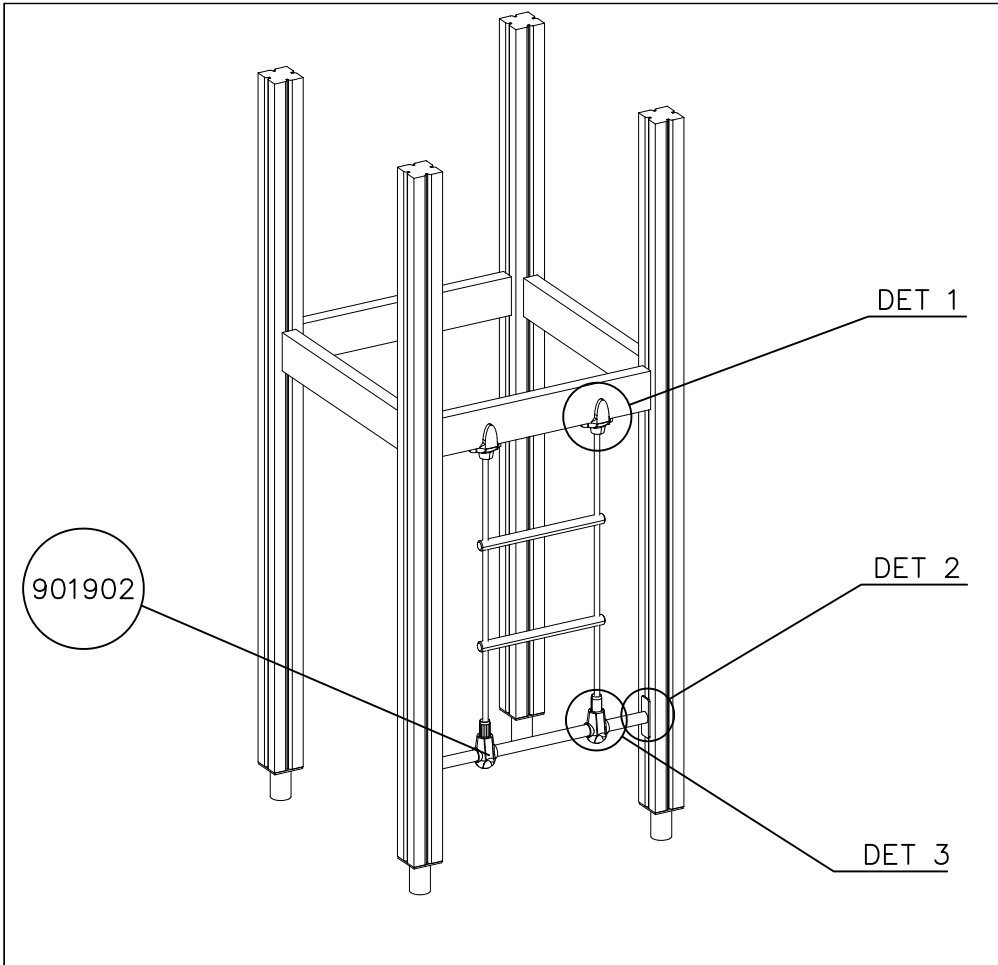
**1(1)**



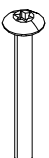
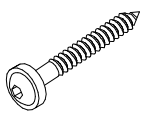
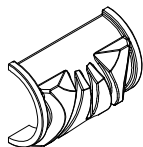
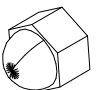
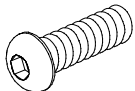
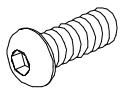
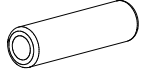
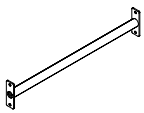
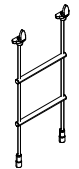
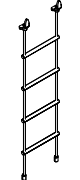


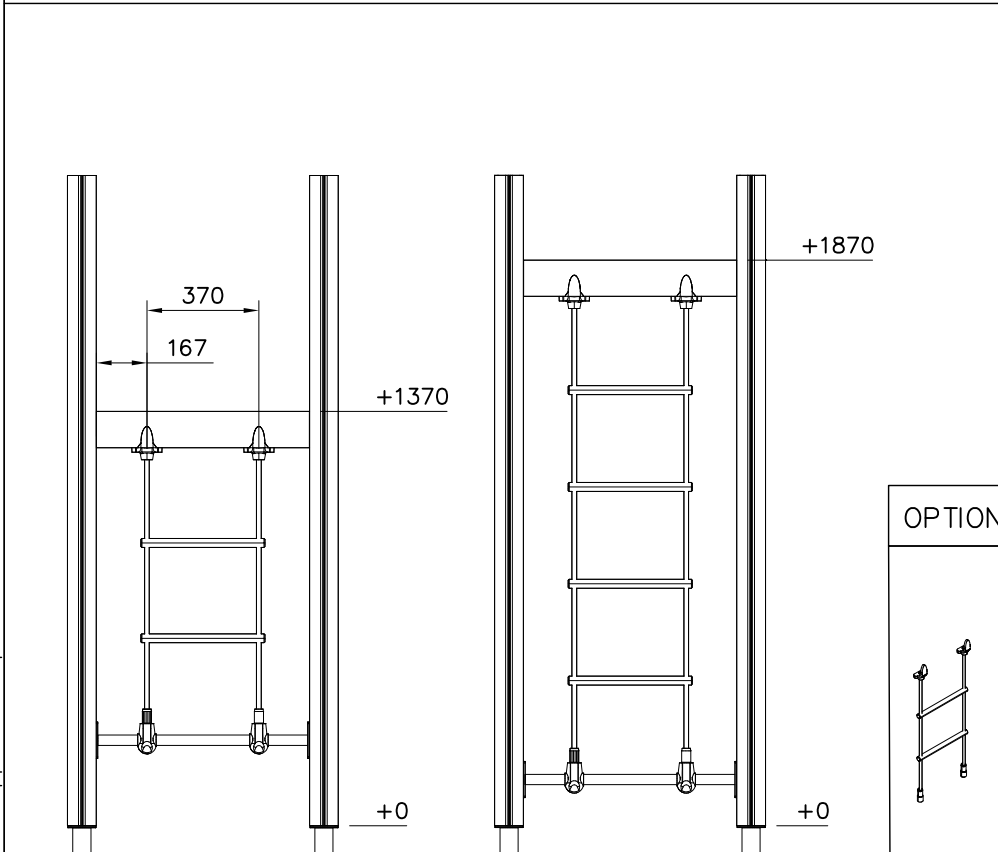
| ① | 905086  | PCS | ②   | 909214 | PCS |
|---|---|-----|---|--------|-----|
|   |  | 1   |  |        | 1   |
|   | Ø44/13.5  |     | M12x50  |        |     |
|   |   | PCS |   |        | PCS |
|   |   |     |   |        |     |
|   |   | PCS |   |        | PCS |
|   |   |     |   |        |     |
|   |   | PCS |   |        | PCS |
|   |   |     |   |        |     |
|   |   | PCS |   |        | PCS |
|   |   |     |   |        |     |
|   |   | PCS |   |        | PCS |
|   |   |     |   |        |     |
|   |   | PCS |   |        | PCS |
|   |   |     |   |        |     |
|   |   | PCS |   |        | PCS |
|   |   |     |   |        |     |
|   |   | PCS |   |        | PCS |
|   |   |     |   |        |     |



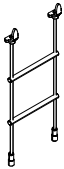
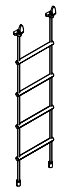




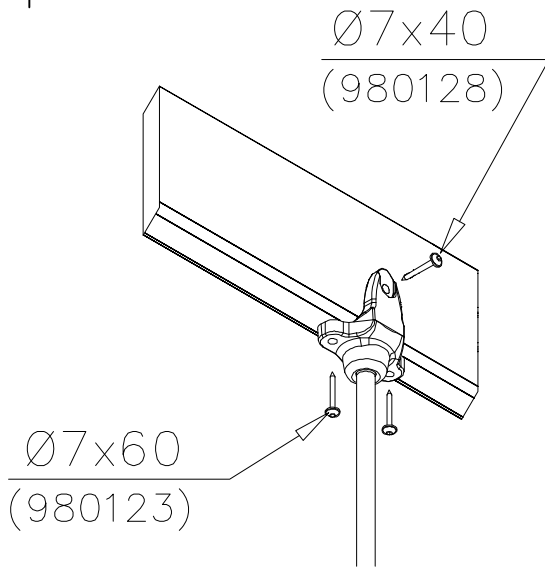
|   |          |   |          |
|---|----------|---|----------|
| ① 901902  | PCS<br>4 | ② 980128  | PCS<br>2 |
|    |          |    |          |
| 30x61x100   |          | Ø7x40   |          |
| ③ 980123  | PCS<br>4 | ④ 900240  | PCS<br>4 |
|    |          |    |          |
| Ø7x60   |          | Ø8x70   |          |
| ⑤ 901900  | PCS<br>4 | ⑥ 909633  | PCS<br>2 |
|    |          |    |          |
| 20.5x36.2x56  |          | M8  |          |
| ⑦ 909850  | PCS<br>2 | ⑧ 900342  | PCS<br>4 |
|  |          |  |          |
| M8x25   |          | M8x16   |          |
| ⑨ 901182  | PCS<br>2 | ○ 907694  | PCS<br>1 |
|  |          |  |          |
| Ø11/M8x40   |          | L 704   |          |
| ○ 706473  | PCS<br>1 | ○ 706780  | PCS<br>1 |
|  |          |  |          |
| +1470   |          | +1970   |          |



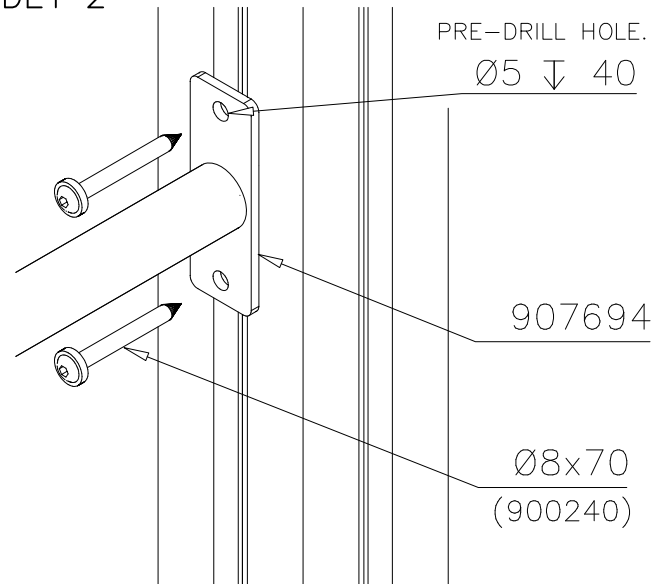
### OPTIONS

|   |      |        |
|---|------|--------|
|   | -301 | BLUE   |
|  | -302 | RED    |
|   | -303 | BEIGE  |
|   | -304 | GRAY   |
|   | -305 | BLACK  |
|   | -306 | YELLOW |

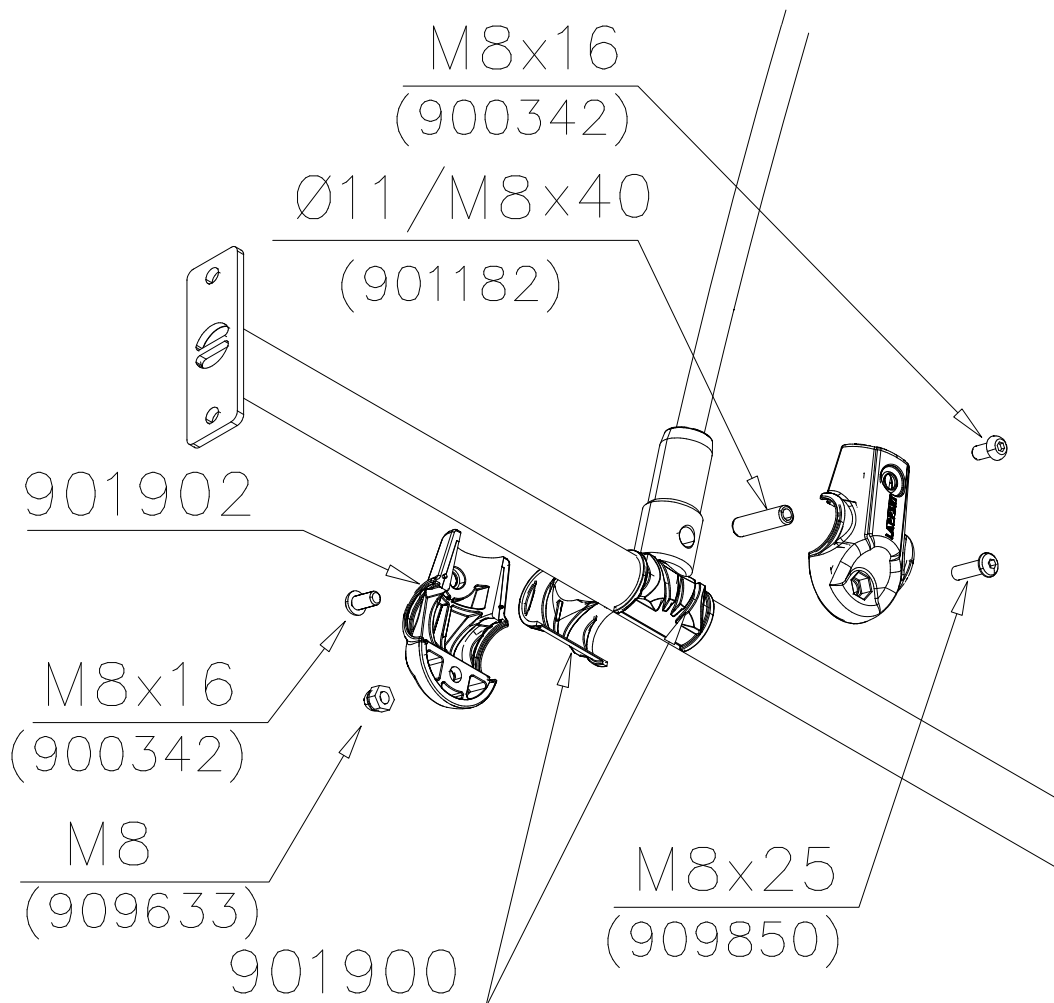
DET 1

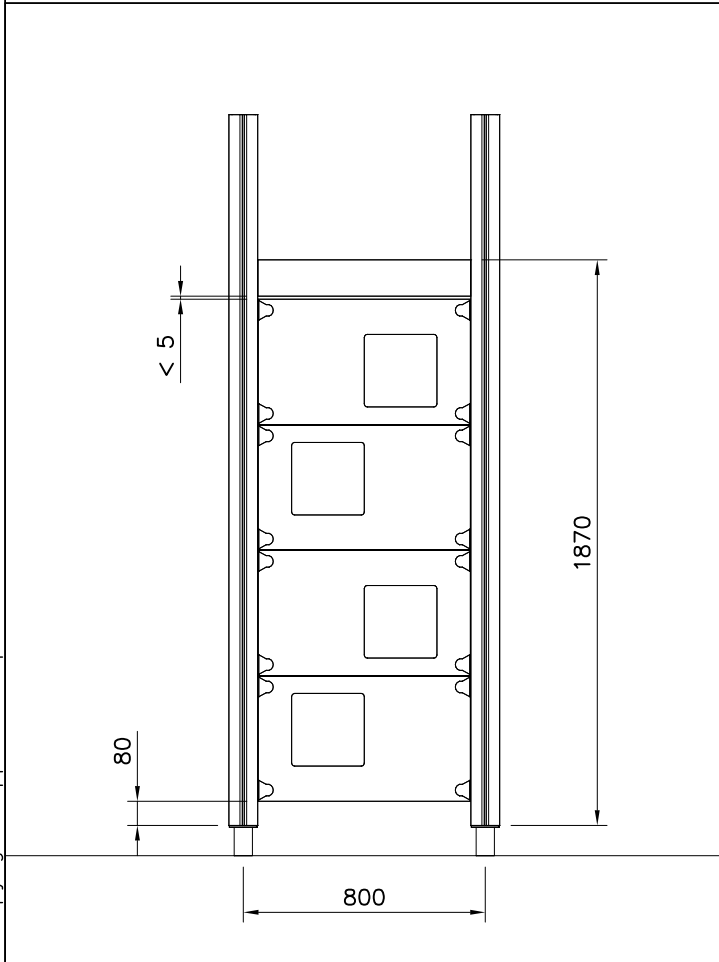
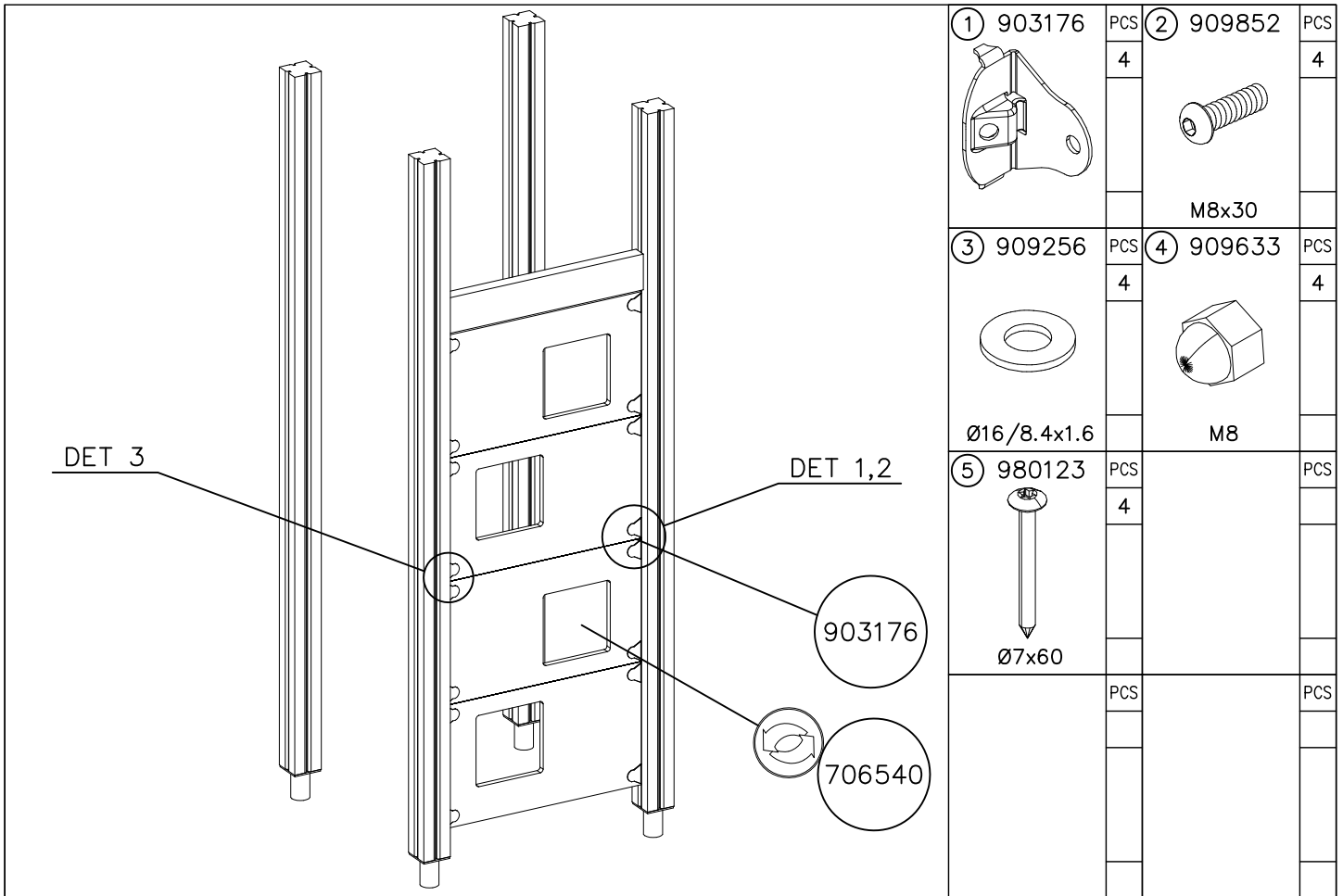


DET 2



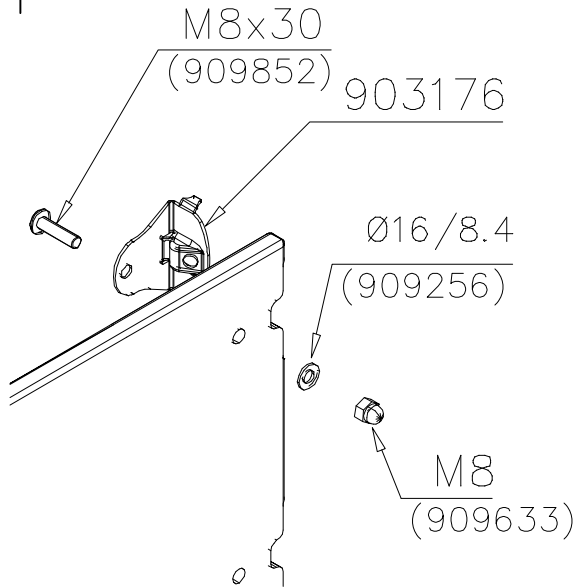
DET 3



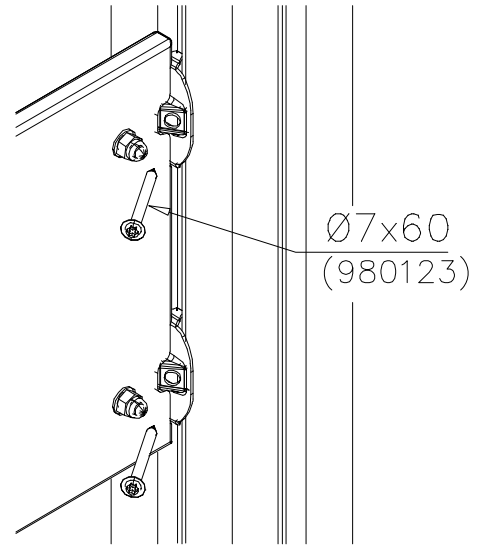


| WALL OPTIONS |            |            |
|--------------|------------|------------|
| 706540       | 706540-701 | BLUE       |
|              | 706540-702 | YELLOW     |
|              | 706540-703 | LIME       |
|              | 706540-704 | DARK GRAY  |
|              | 706540-705 | LIGHT GRAY |
|              | 706540-706 | RED        |
|              | 706540-707 | GREEN      |
|              | 706540-708 | FUXIA      |
|              |            |            |
| 20x702x415   |            |            |

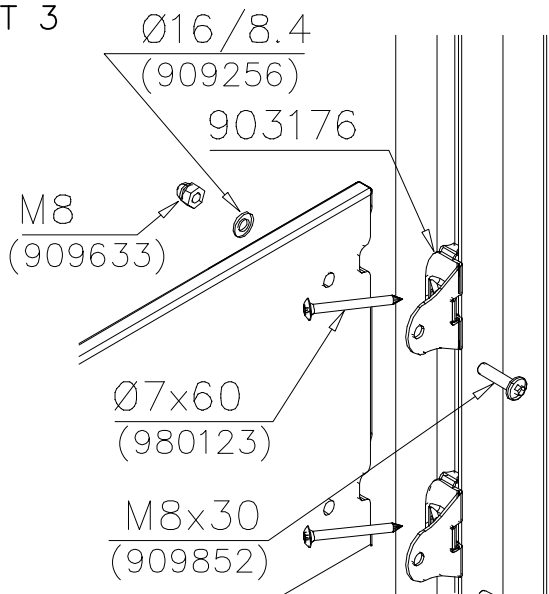
DET 1

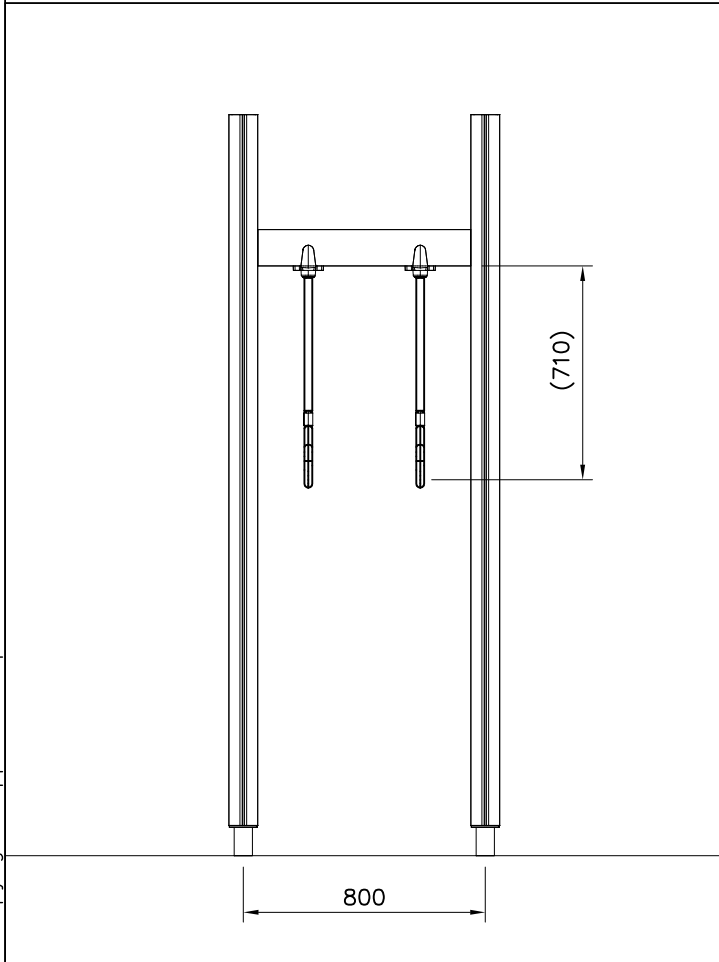
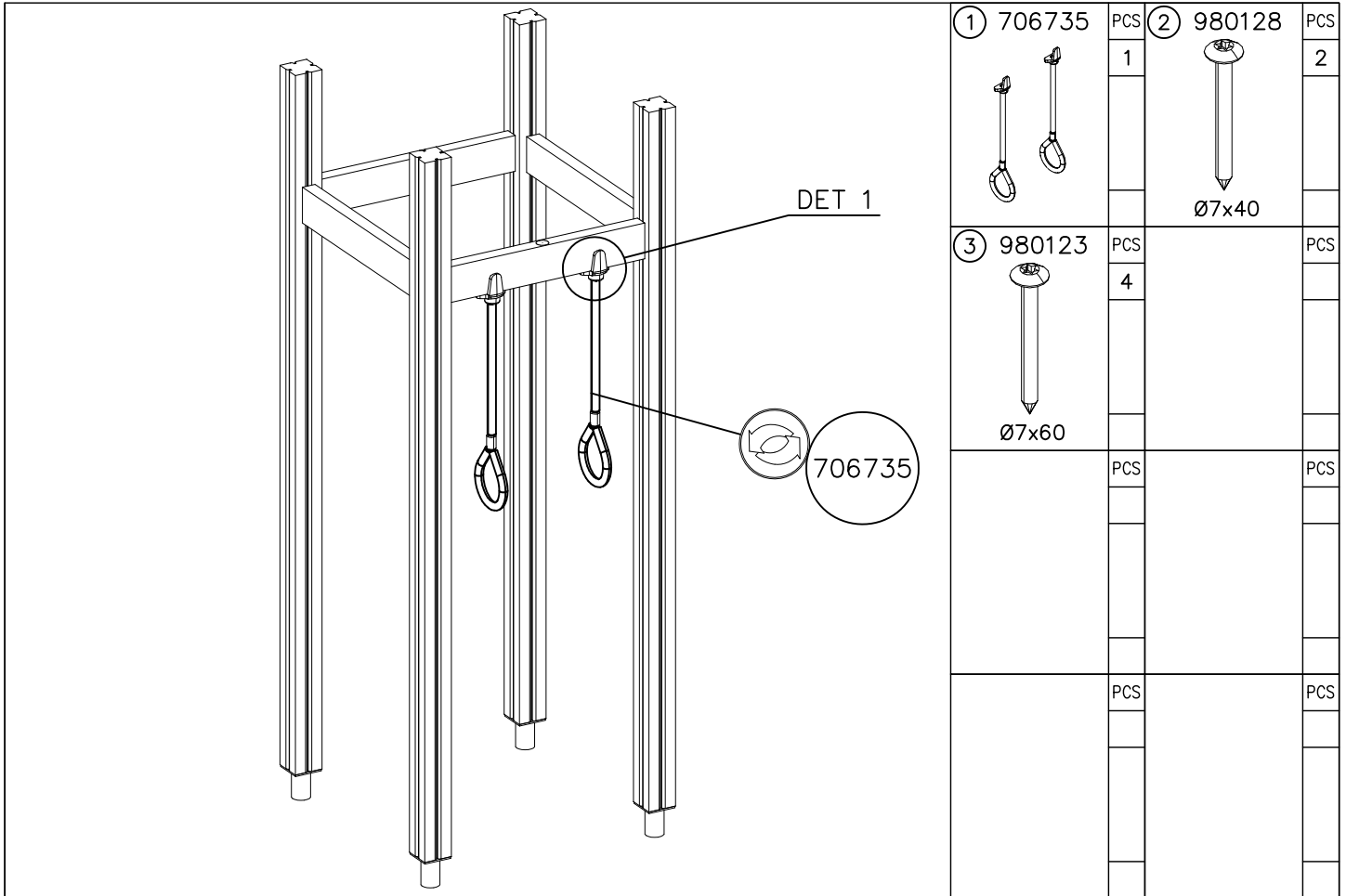


DET 2

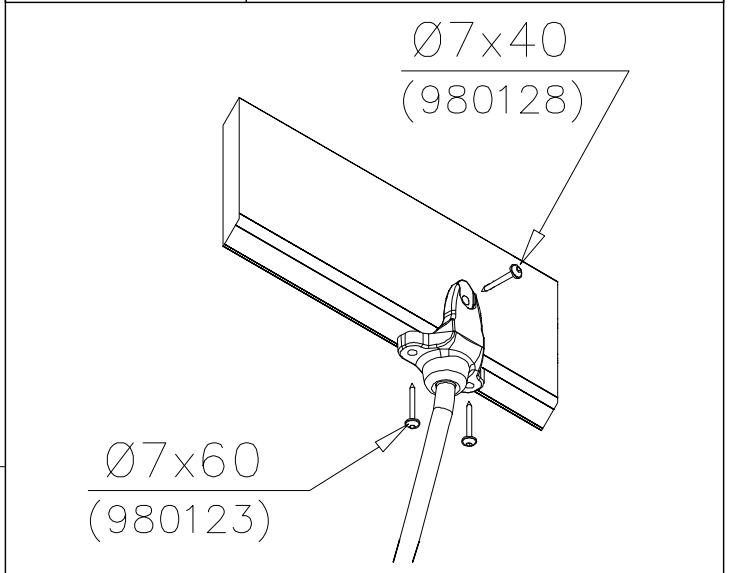


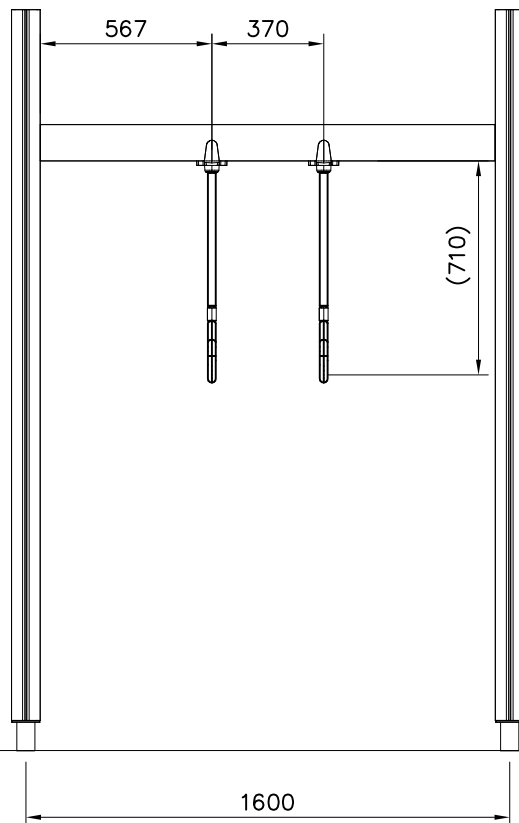
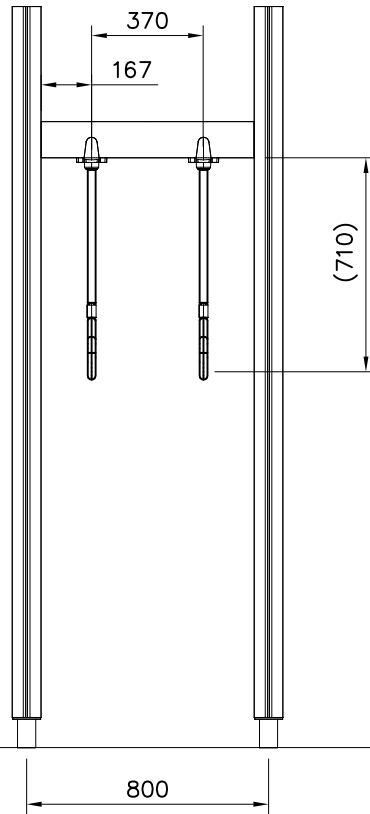
DET 3

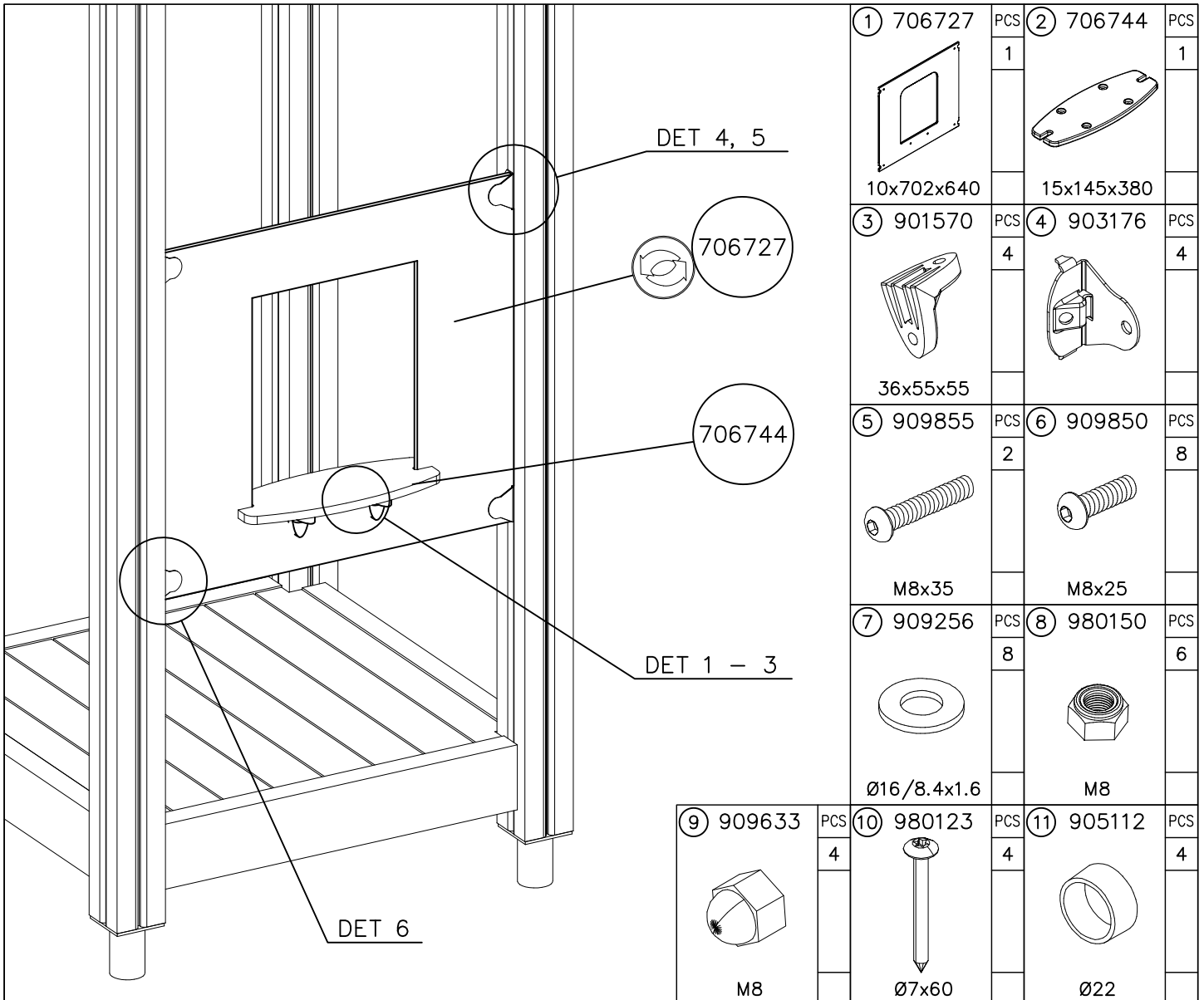


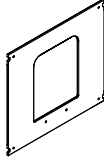
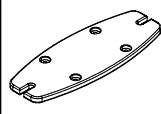
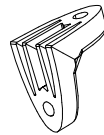
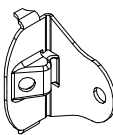
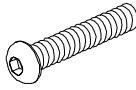
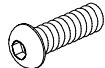
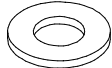
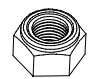
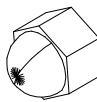

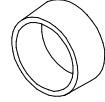


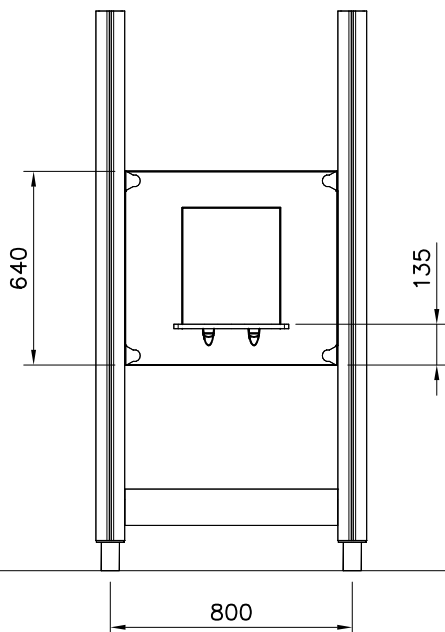
| RINGS OPTIONS |            |        |
|---------------|------------|--------|
| 706735        | 706735-301 | BLUE   |
|               | 706735-302 | RED    |
|               | 706735-303 | BEIGE  |
|               | 706735-304 | GRAY   |
|               | 706735-305 | BLACK  |
|               | 706735-306 | YELLOW |





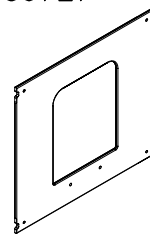


|   |     |   |     |
|---|-----|---|-----|
| ① 706727  | PCS | ② 706744  | PCS |
|    | 1   |    | 1   |
| 10x702x640  |     | 15x145x380  |     |
| ③ 901570  | PCS | ④ 903176  | PCS |
|    | 4   |    | 4   |
| 36x55x55  |     |   |     |
| ⑤ 909855  | PCS | ⑥ 909850  | PCS |
|    | 2   |    | 8   |
| M8x35   |     | M8x25   |     |
| ⑦ 909256  | PCS | ⑧ 980150  | PCS |
|  | 8   |  | 6   |
| Ø16/8.4x1.6   |     | M8  |     |
| ⑨ 909633  | PCS | ⑩ 980123  | PCS |
|    | 4   |  | 4   |
| M8  |     | Ø7x60   |     |
|   |     | ⑪ 905112  | PCS |
|   |     |  | 4   |
|   |     | Ø22   |     |



### WALL OPTIONS

706727

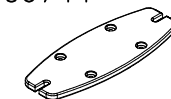


10x640x702

|            |            |
|------------|------------|
| 706727-701 | BLUE       |
| 706727-702 | YELLOW     |
| 706727-703 | LIME       |
| 706727-704 | DARK GRAY  |
| 706727-705 | LIGHT GRAY |
| 706727-706 | RED        |
| 706727-707 | GREEN      |
| 706727-708 | FUXIA      |

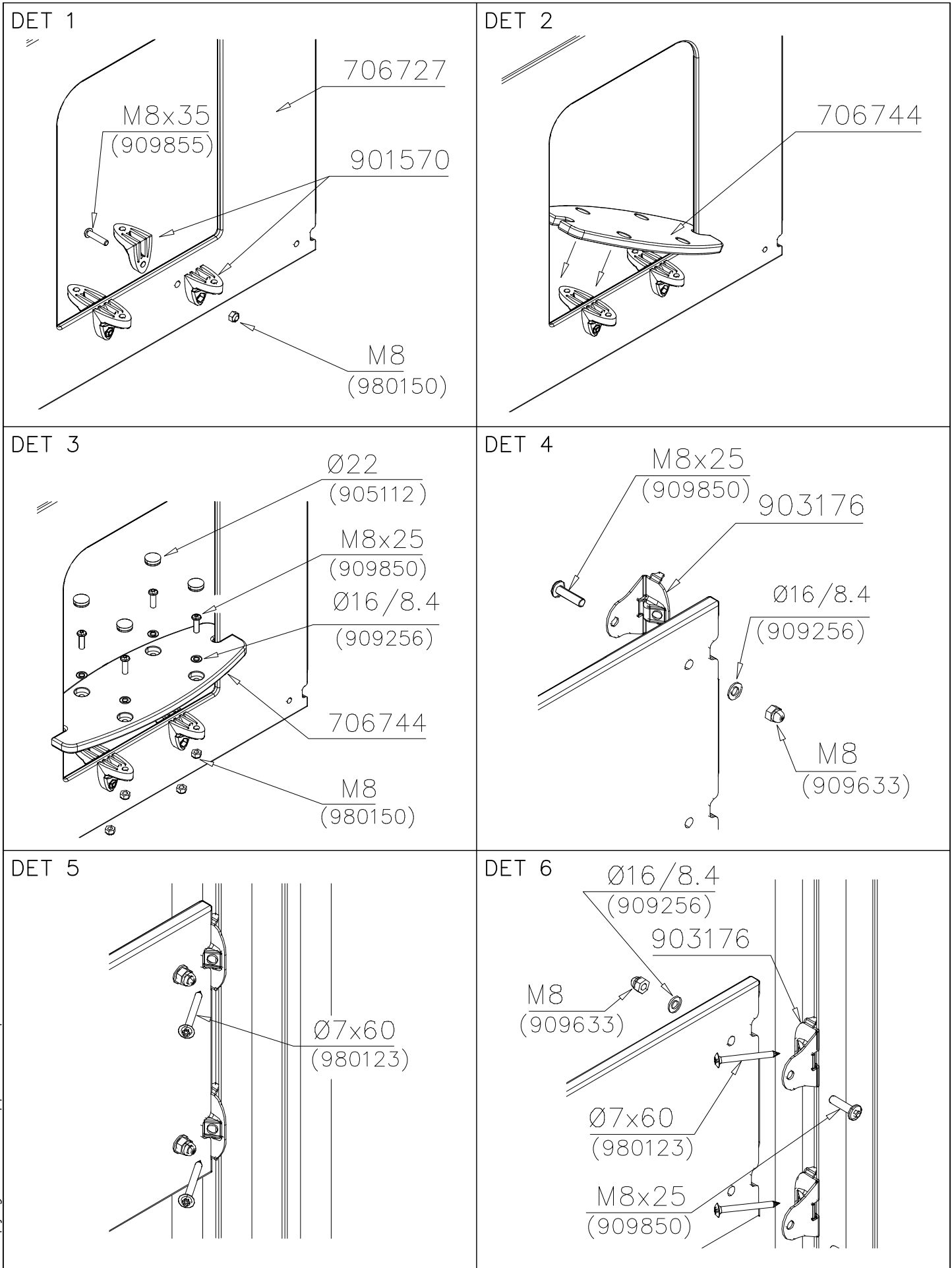
### WALL OPTIONS

706744

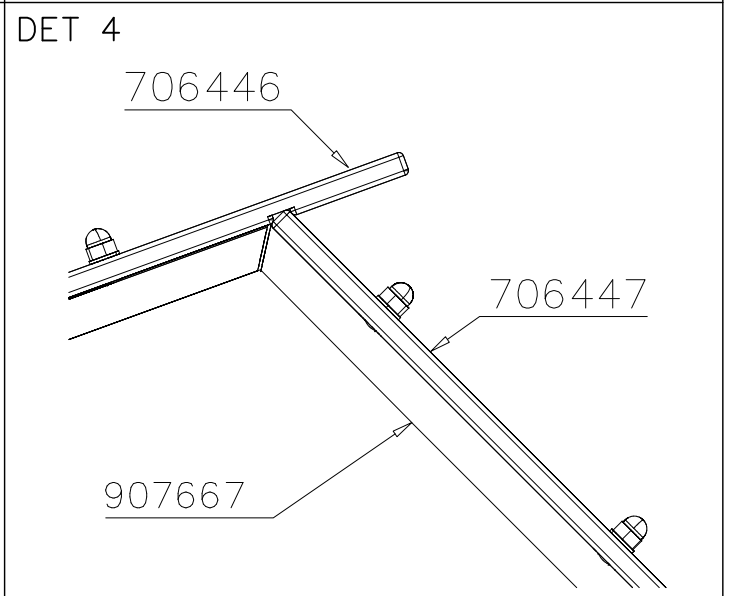
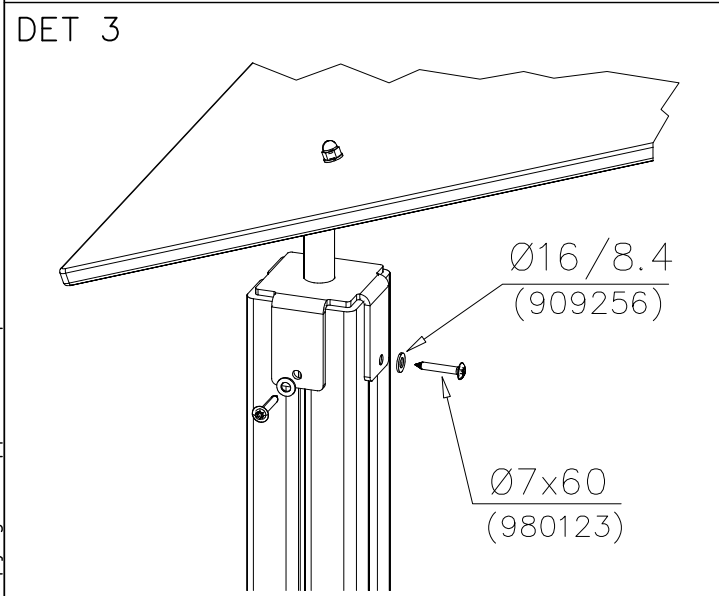
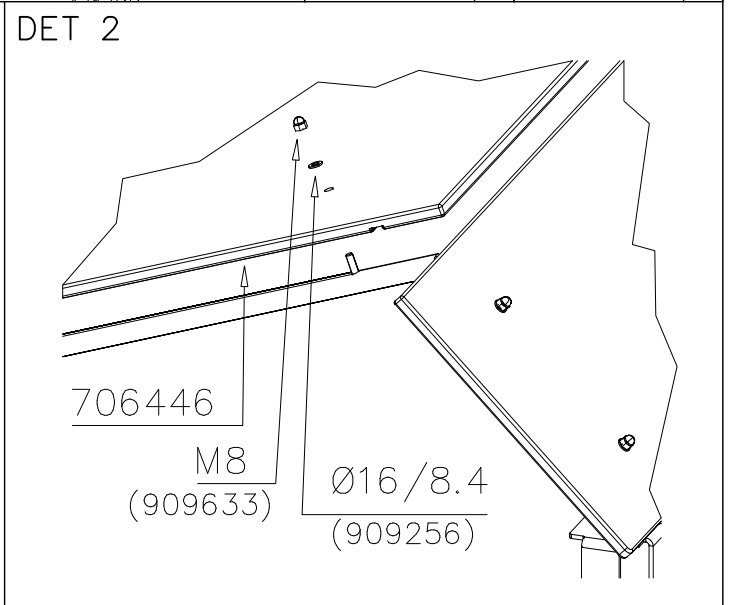
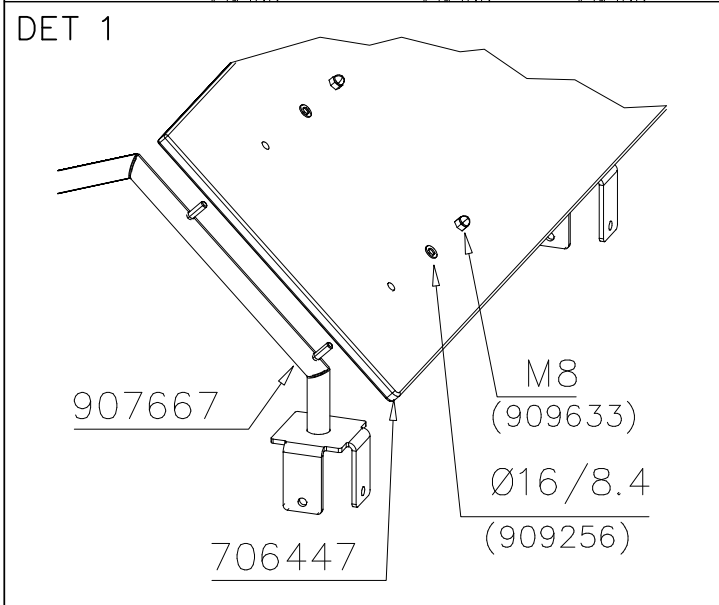
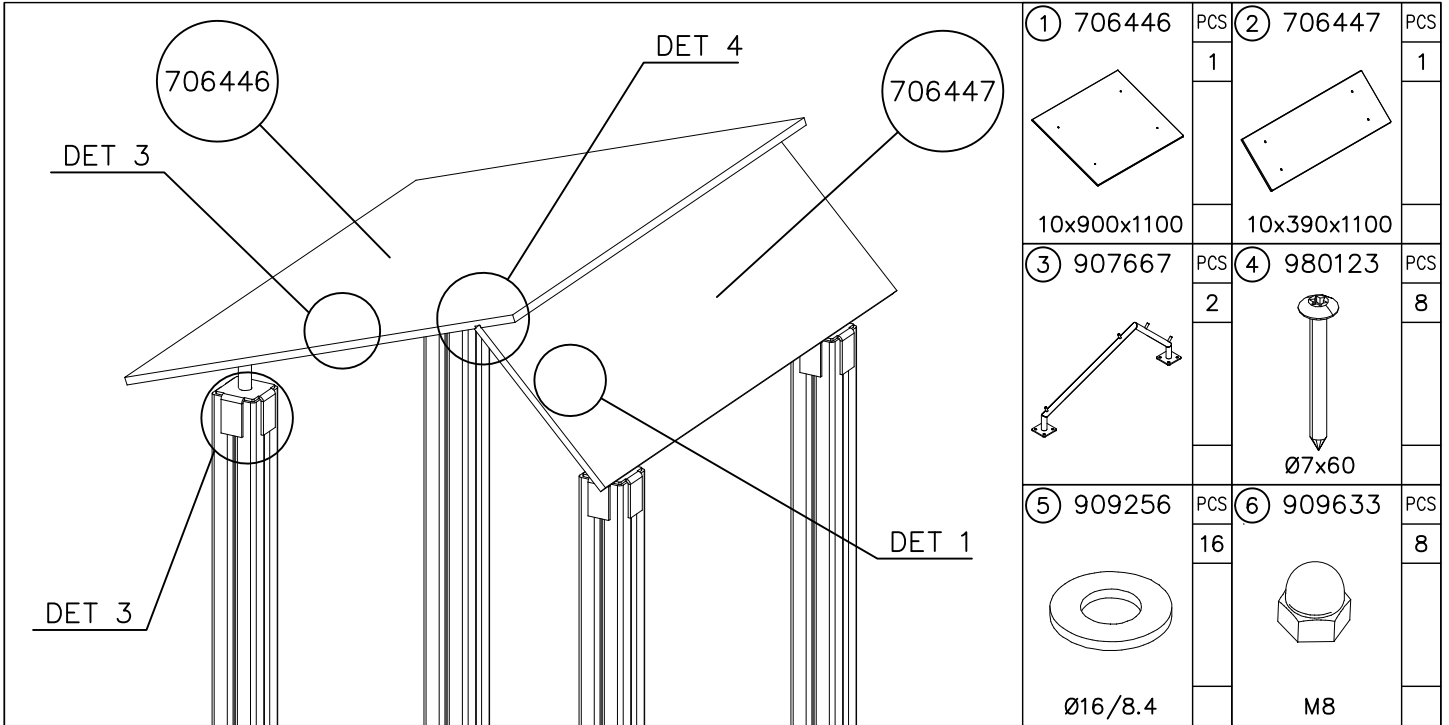


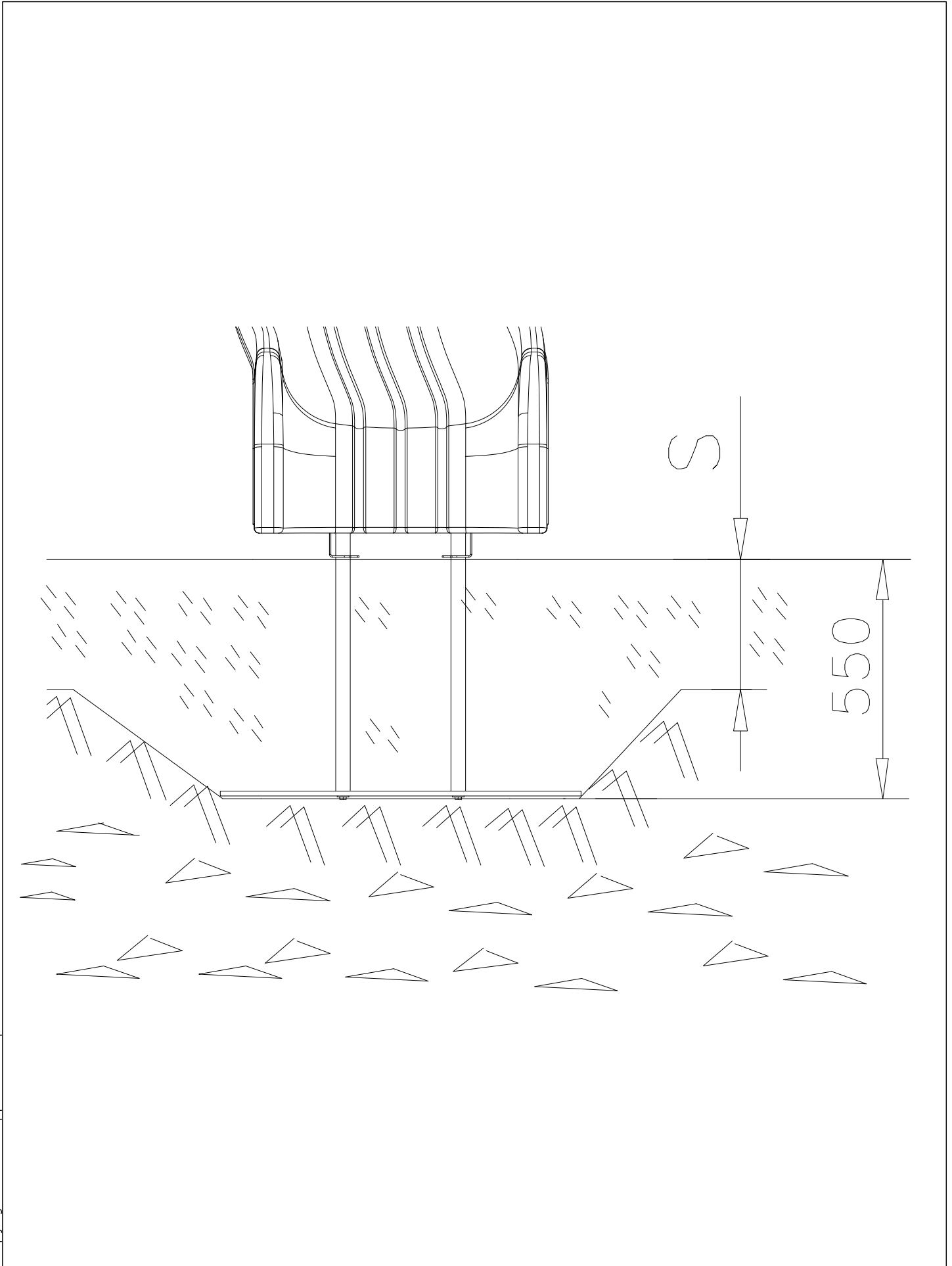
15x145x380

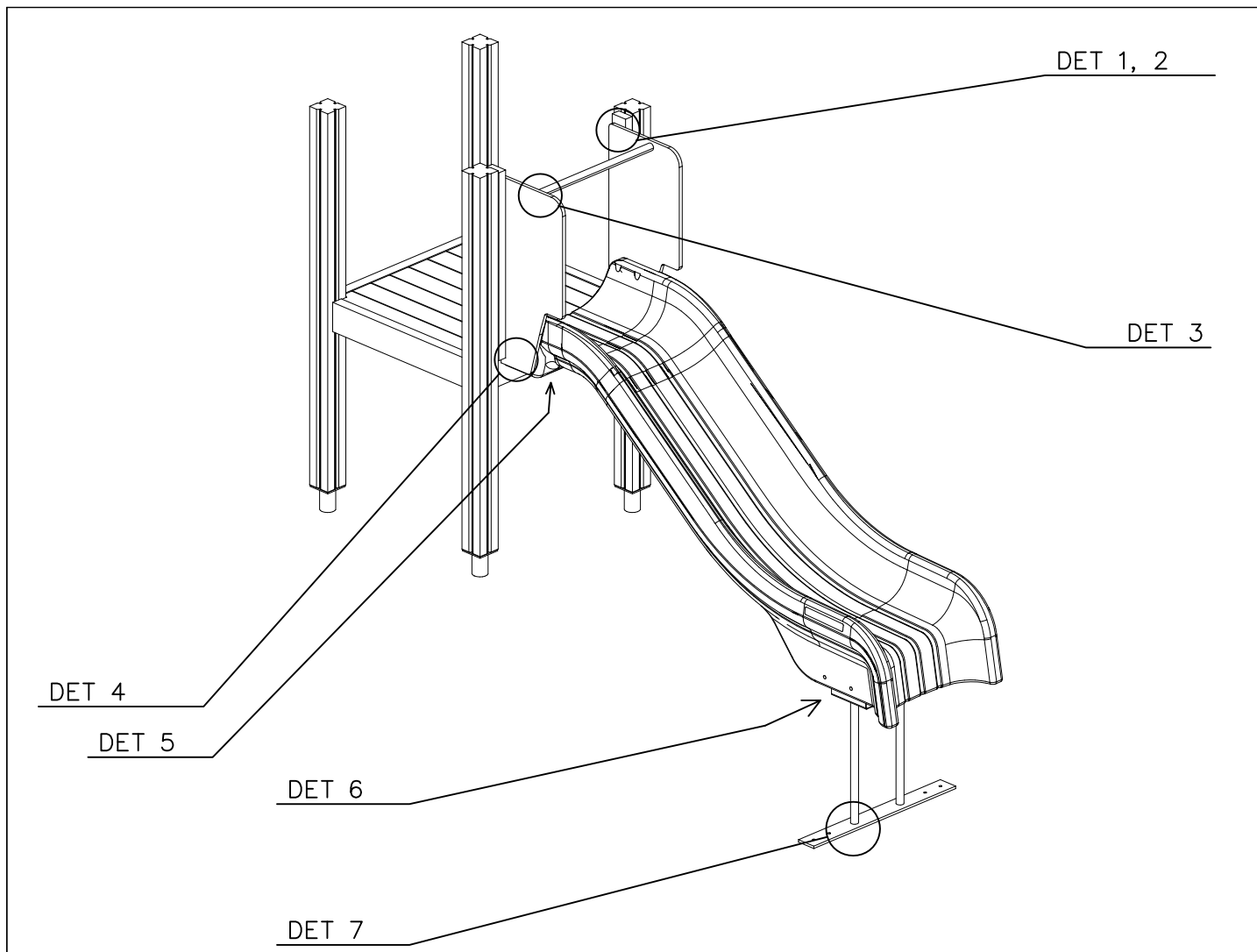
|        |           |
|--------|-----------|
| 706744 | DARK GRAY |
|--------|-----------|





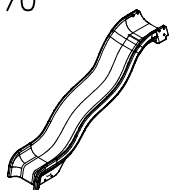






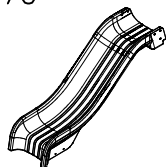
SLIDE OPTIONS

+1470



904451 GRAY  
 904847 YELLOW

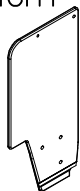
+870



905833 GRAY  
 905834 YELLOW

WALL OPTIONS

RIGHT

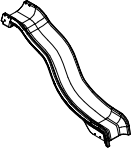
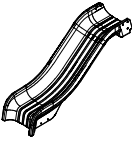



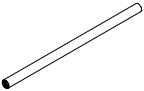
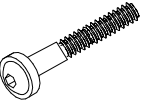
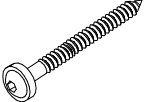
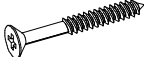
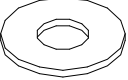
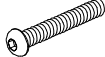
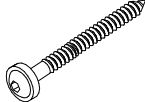



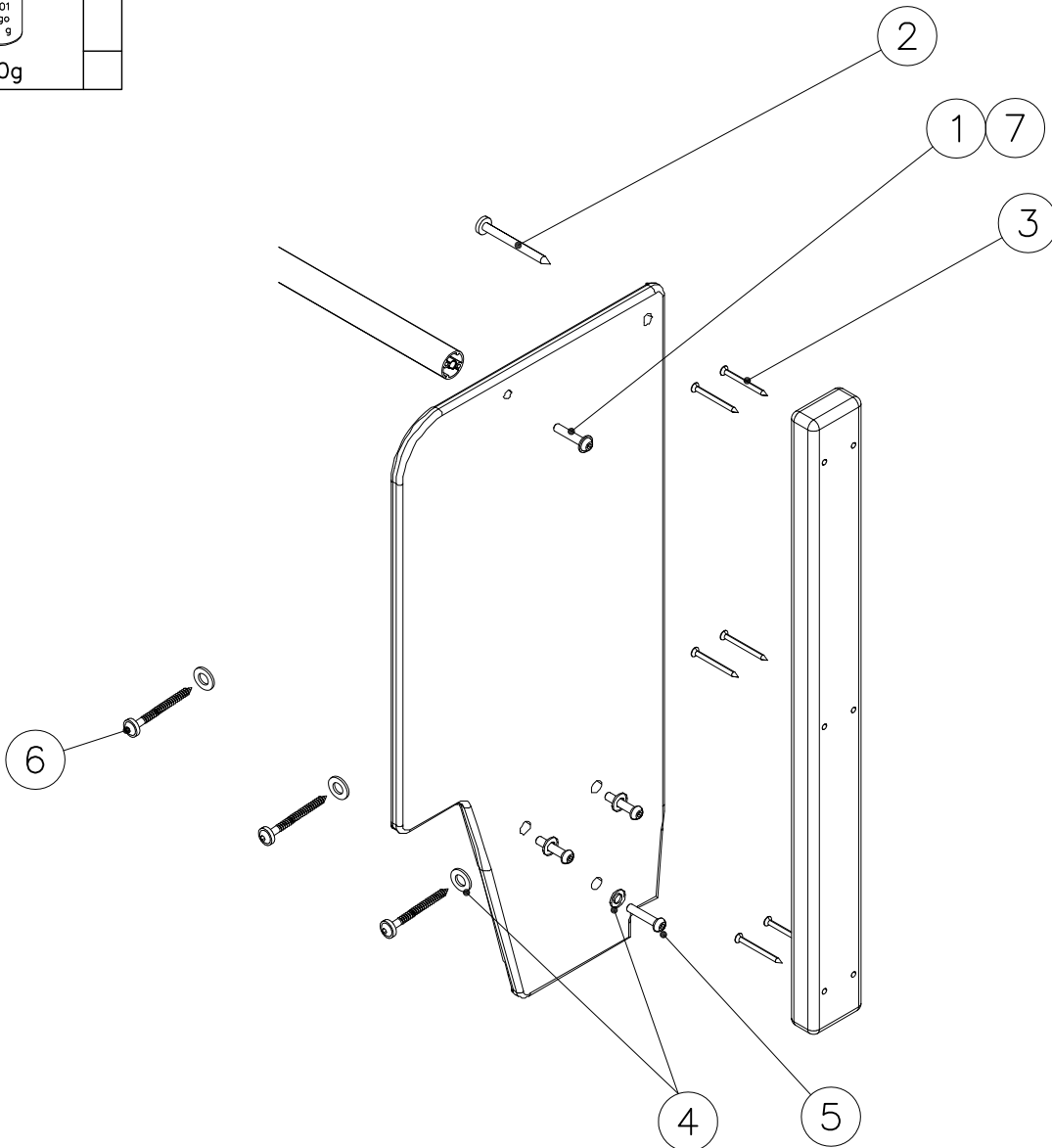
706560-701 BLUE  
 706560-702 YELLOW  
 706560-703 LIME  
 706560-704 DRARK GRAY  
 706560-705 LIGHT GRAY  
 706560-706 RED  
 706560-707 GREEN  
 706560-708 FUXIA

LEFT

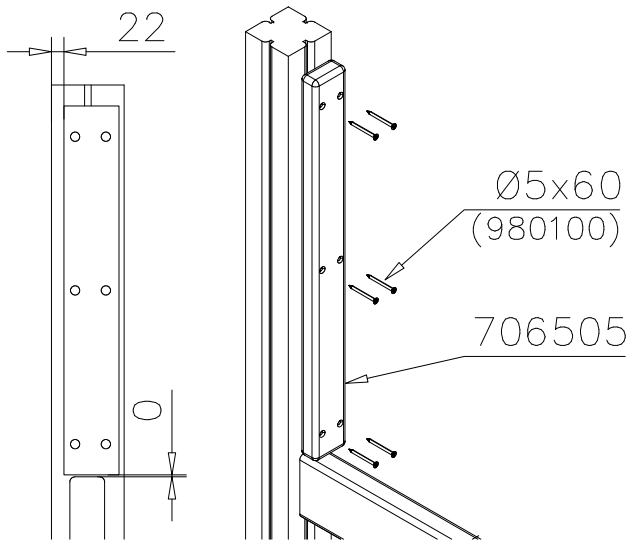


706561-701 BLUE  
 706561-702 YELLOW  
 706561-703 LIME  
 706561-704 DRARK GRAY  
 706561-705 LIGHT GRAY  
 706561-706 RED  
 706561-707 GREEN  
 706561-708 FUXIA

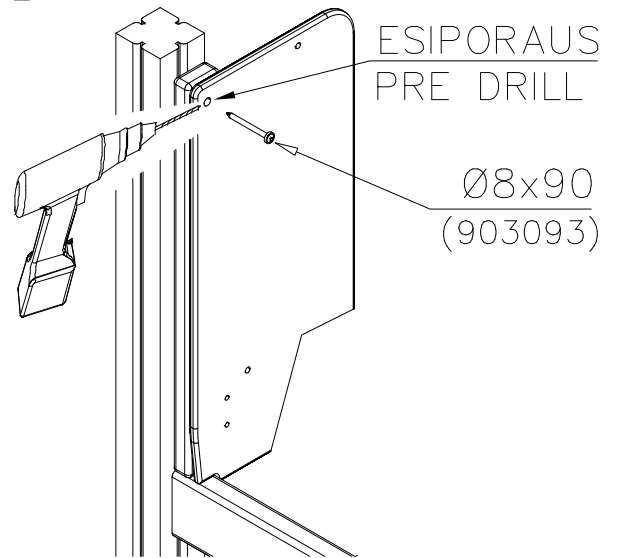
|   |          |  |          |  |           |  |          |  |          |  |          |
|---|----------|--|----------|--|-----------|--|----------|--|----------|--|----------|
| ○ SLIDE<br><br>+1470  | PCS<br>1 | ○ SLIDE<br><br>+870   | PCS<br>1 | ○ 706560<br><br>RIGHT | PCS<br>1  | ○ 706561<br><br>LEFT    | PCS<br>1 | ○ 706505<br><br>35x70x730 | PCS<br>2 | ○ 901868<br><br>Ø34x598 | PCS<br>1 |
| ① 909876<br><br>M8x40 | PCS<br>2 | ② 903093<br><br>Ø8x90 | PCS<br>2 | ③ 980100<br><br>Ø5x60 | PCS<br>12 | ④ 980152<br><br>Ø24/8.4 | PCS<br>9 | ⑤ 909852<br><br>M8x30    | PCS<br>6 | ⑥ 900240<br><br>Ø8x70   | PCS<br>3 |
| ⑦ 999561<br><br>10g  | PCS<br>1 |  |          |  |           |  |          |  |          |  |          |



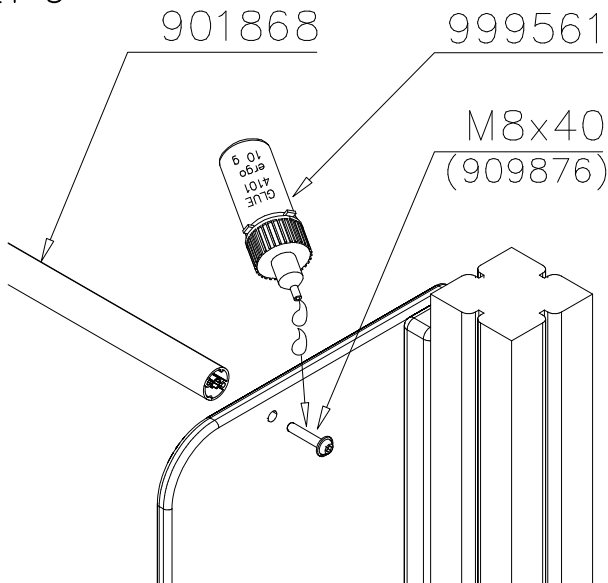
DET 1



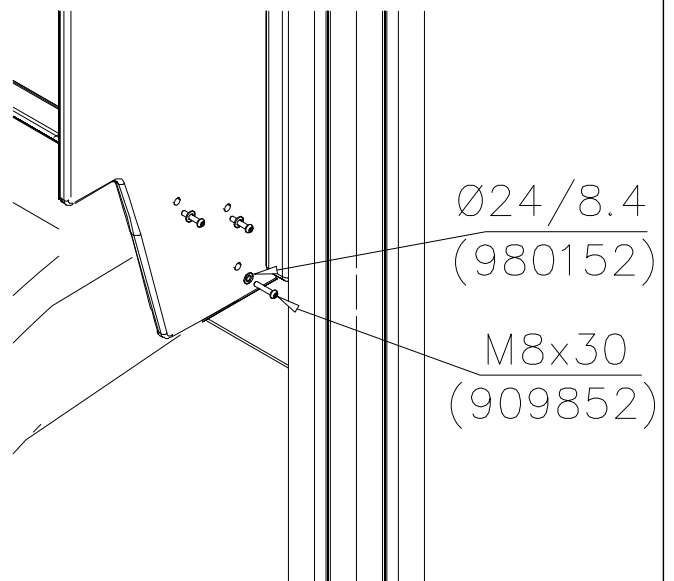
DET 2



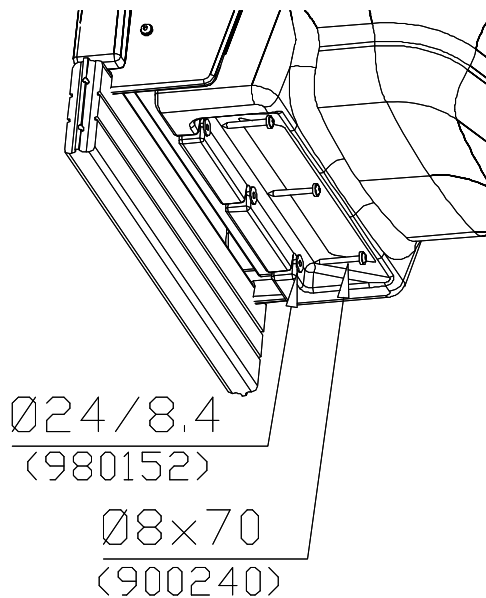
DET 3



DET 4



DET 5



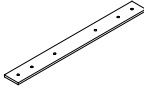
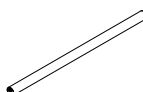
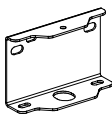


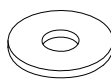
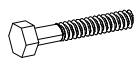

# LAPPSET

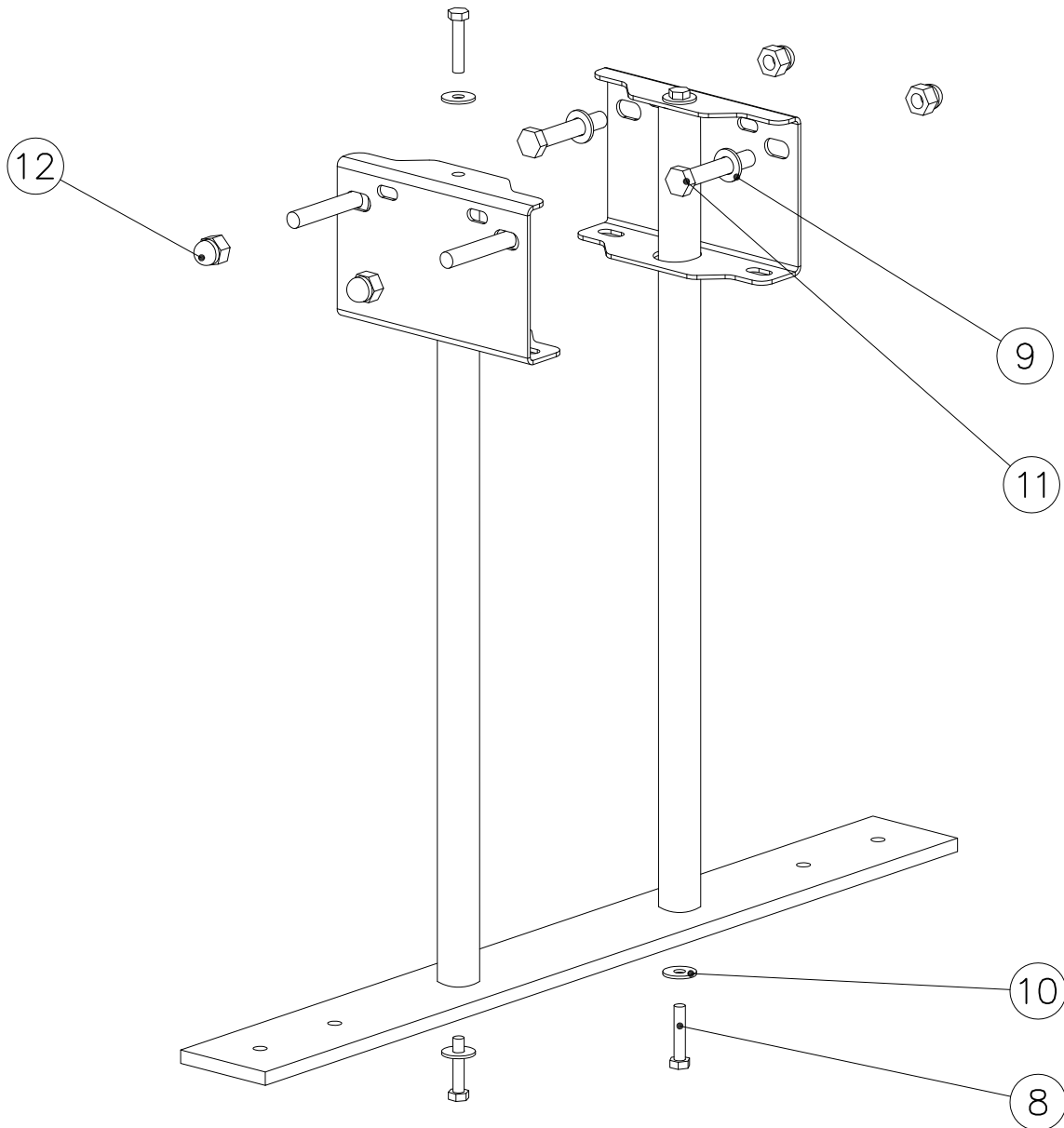
## DEEP FOUNDATION

# SLIDE PLASTIC

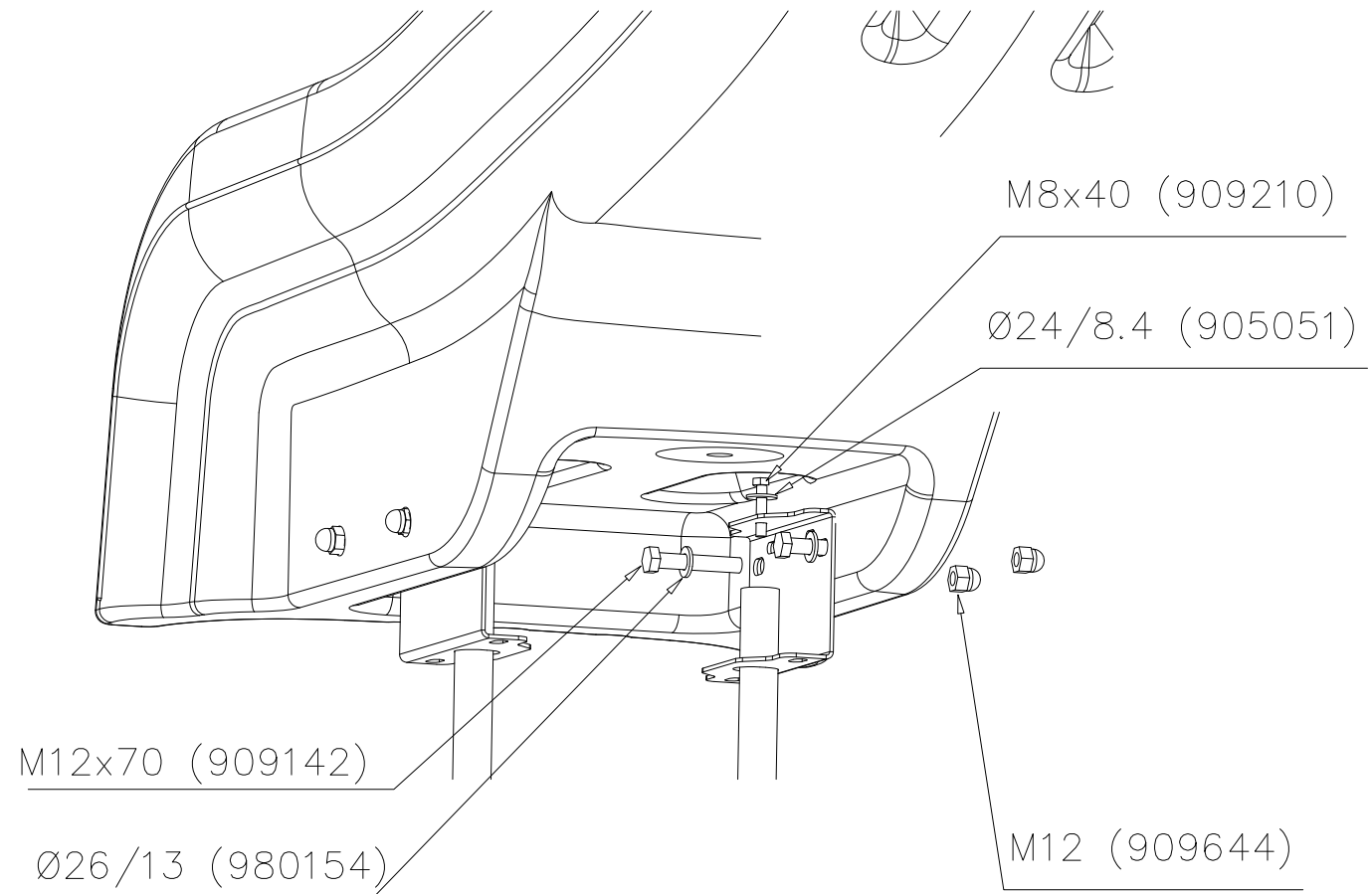
3.11.2017

4(5)

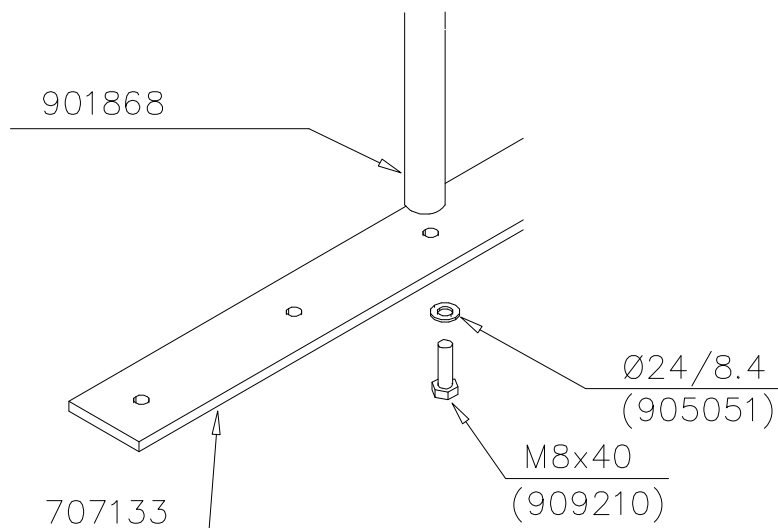
|  |          |   |          |   |          |   |          |   |          |   |          |
|--|----------|---|----------|---|----------|---|----------|---|----------|---|----------|
| ○ 707133   | PCS<br>1 | ○ 901868  | PCS<br>2 | ○ 908021  | PCS<br>2 | ⑧ 909210  | PCS<br>4 | ⑨ 980154  | PCS<br>4 | ⑩ 905051  | PCS<br>4 |
|  |          |  |          |  |          |  |          |  |          |  |          |
| 10x80x745  |          | Ø30x598   |          |   |          | M8x40   |          | Ø24/13  |          | Ø24/8.4   |          |
| ⑪ 909142   | PCS<br>4 | ⑫ 909644  | PCS<br>4 |   |          |   |          |   |          |   |          |
|  |          |  |          |   |          |   |          |   |          |   |          |
| M12x70   |          | M12   |          |   |          |   |          |   |          |   |          |

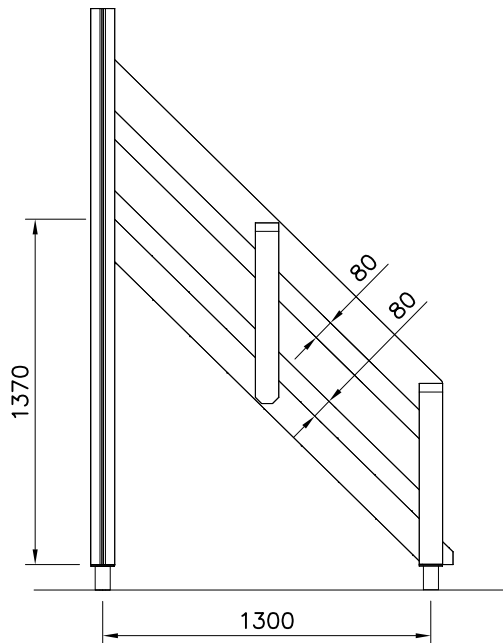
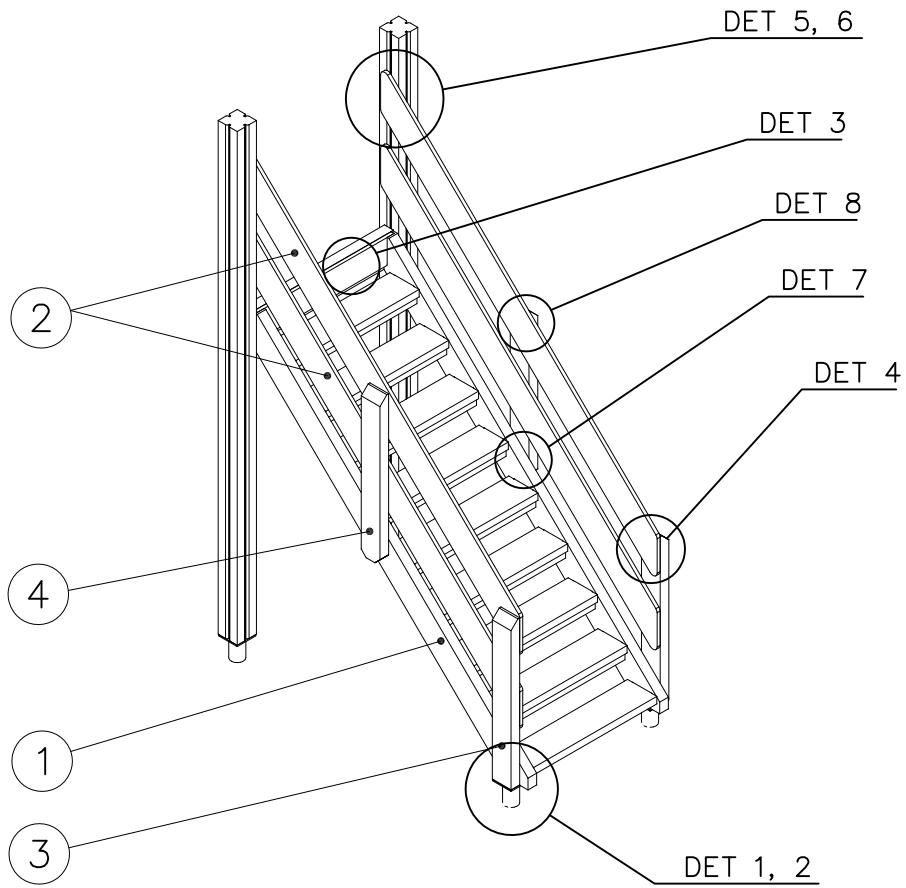


DET 6



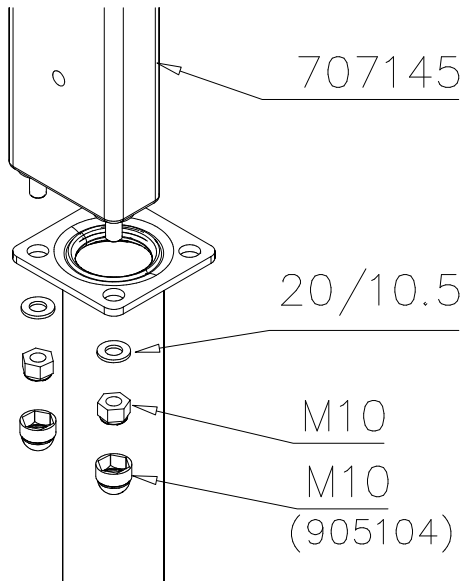
DET 7







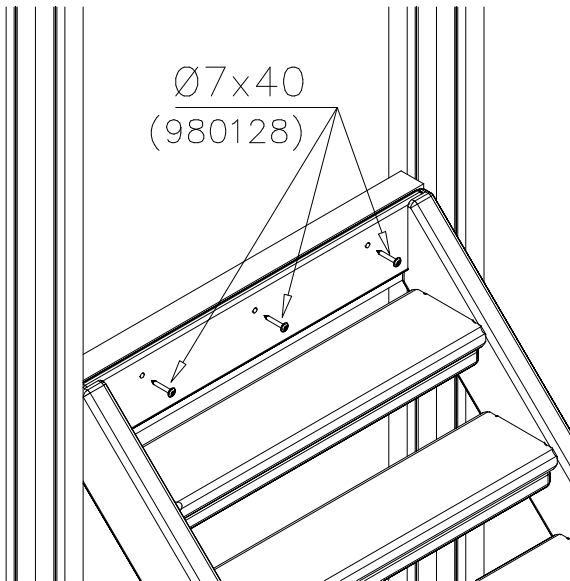
DET 1



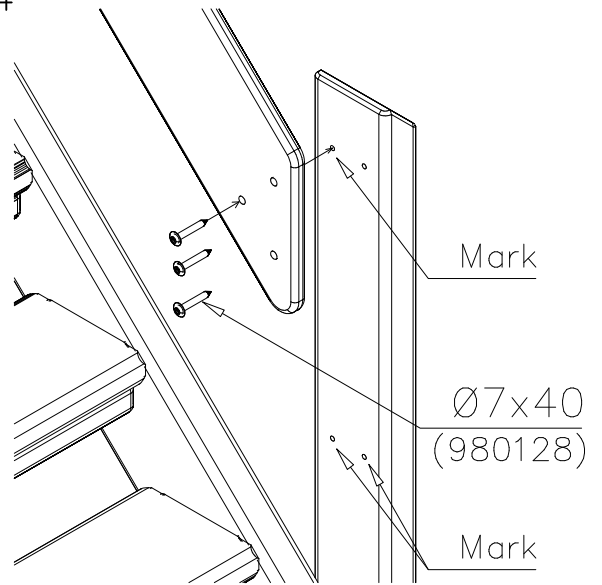
DET 2



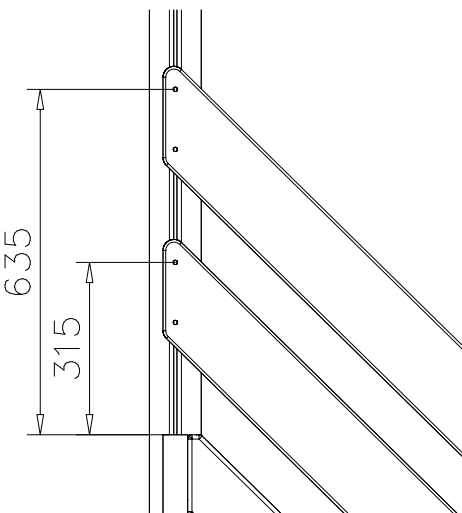
DET 3



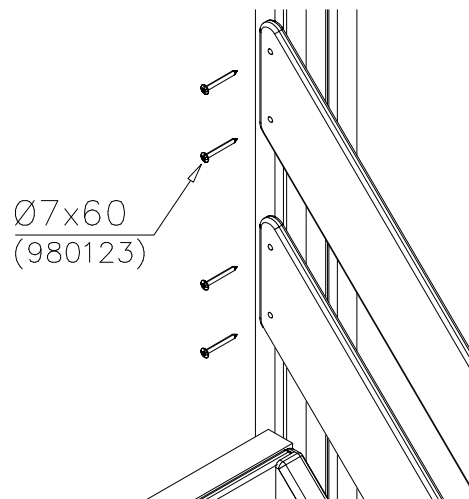
DET 4

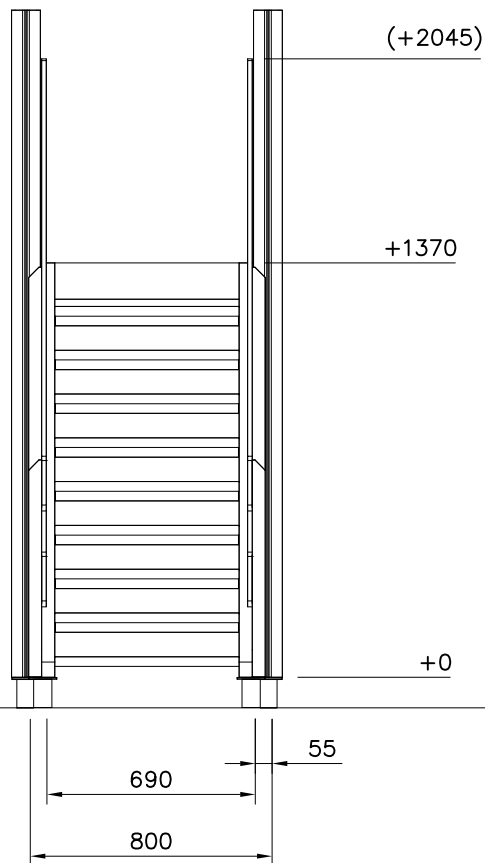
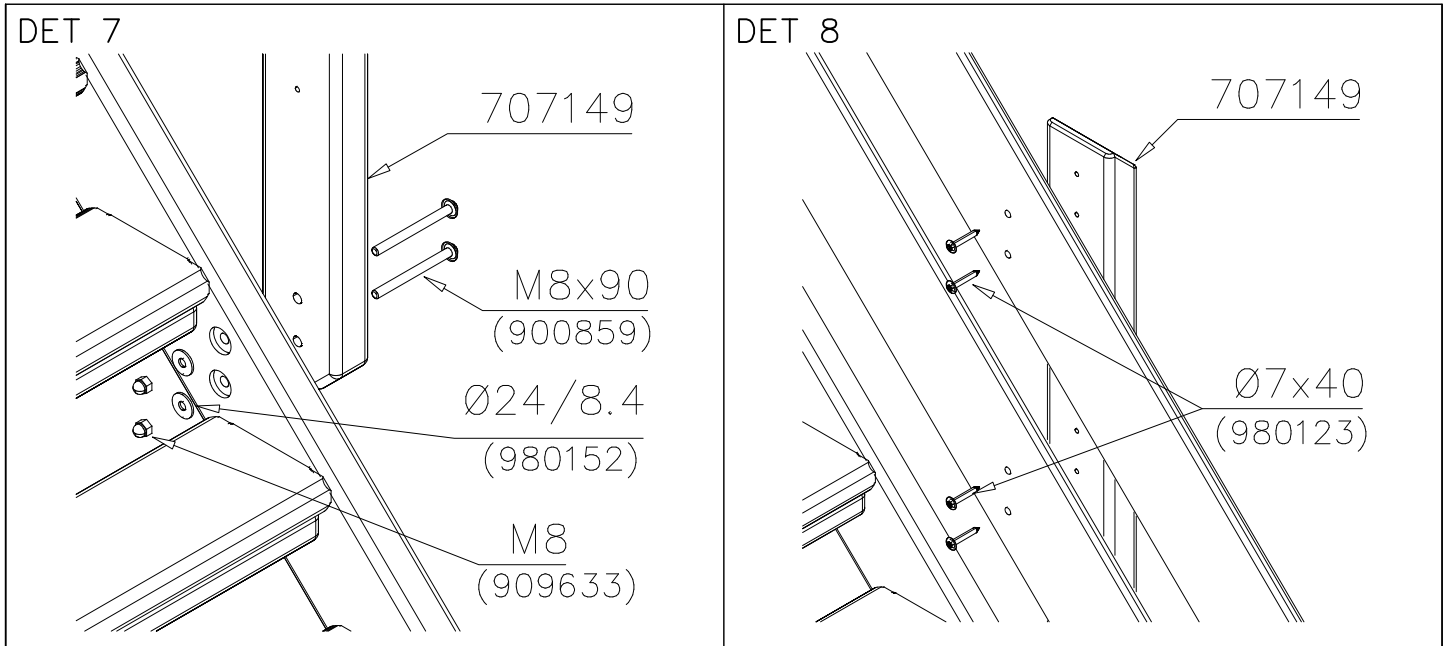


DET 5




DET 6






STAIRS OPTIONS +1470


|   |  |
|---|--|
| 707192<br> | 707192-602 DARK BROWN<br>707192-603 LIGHT BROWN<br>707192-604 LIGHT GRAY |
|---|--|

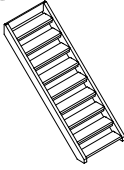



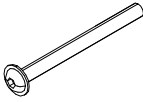
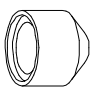
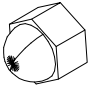



RAILING OPTIONS

|   |  |                                      |
|---|--|--------------------------------------|
| RAILS<br>707152<br><br>15x145x2009 | 707152-701 BLUE<br>707152-702 YELLOW<br>707152-703 LIME<br>707152-704 DARK GRAY<br>707152-705 LIGHT GRAY<br>707152-706 RED | 707152-707 GREEN<br>707152-708 FUXIA |
|---|--|--------------------------------------|

|   |  |
|---|--|
| POST<br>707145<br><br>43x93x717 | 707145-602 DARK BROWN<br>707145-603 LIGHT BROWN<br>707145-604 LIGHT GRAY |
|---|--|

POST OPTIONS

|  |  |
|--|--|
| POST<br>707149<br><br>43x93x717 | 707149-602 DARK BROWN<br>707149-603 LIGHT BROWN<br>707149-604 LIGHT GRAY |
|--|--|

|  |          |  |          |  |           |  |          |  |          |  |          |
|--|----------|--|----------|--|-----------|--|----------|--|----------|--|----------|
| ① 707192<br><br>+1470 | PCS<br>1 | ② 707152<br><br>15x145x2009 | PCS<br>4 | ③ 707145<br><br>43x93x717 | PCS<br>2  | ④ 707149<br><br>43x93x717 | PCS<br>2 | ⑤ 900859<br><br>M8x90 | PCS<br>6 | ⑥ 905104<br><br>M10 | PCS<br>4 |
| ⑦ 909633<br><br>M8    | PCS<br>6 | ⑧ 980123<br><br>Ø7x60       | PCS<br>8 | ⑨ 980128<br><br>Ø7x40     | PCS<br>23 | ⑩ 980152<br><br>Ø24/8.4x2 | PCS<br>6 |  | PCS      |  | PCS      |



## Tuotekyltti tulee tuotteen mukana yhdellä seuraavista tavoista:

### 1) Metallinen tuotekyltti ja kiinnitysruuvit

- Kiinnitä tuotekyltti ruuveilla tolppaan noin 2 metrin korkeuteen kuvan 1 mukaisesti.

### 2) Tuotekylttitarra

- Puhdista maalattu metalli- tai vaneripinta pölystä ja kosteudesta. Liimaa tarra kuvan 2 mukaisesti.
- Huom. Älä kiinnitä tarraa karheapintaiseen laminaattiin tai maalattuun puuhun.

## Vår produktmärkning levereras på ett av följande sätt:

### 1) Produktskylt i metall

- Fäst skylten med de medföljande skruvarna

### 2) Självhäftande produktetikett

- Rengör den pulverlackerade metallytan eller laminatyten så att den blir fri från smuts och fukt. Fäst etiketten enligt fig. 2.
- Obs! Fäst ej etiketten på detaljer med skrovlig yta eller på målat trä.

## Product label is delivered by one of following ways:

### 1) Metal product label and screws

- Fasten the label with screws.

### 2) Label sticker

- Clean the painted metal or plywood surface from dirt and moisture. Fasten the sticker as shown in the figure 2.
- Note. Do not attach the sticker to rough surfaced laminate or painted wood.

## La plaque d'informations produit est livrée sous l'une de ces 3 formes :

### 1) Plaque métallique et vis

- Fixez la plaque à l'aide des vis.

### 2) Etiquette autocollante

- Avant de coller l'étiquette, nettoyez le composant métallique peint ou la plaque de contreplaqué, de toute saleté. La surface doit être sèche (voir image 2).
- Attention, ne pas coller l'étiquette sur une surface lamellé-collée irrégulière ou sur du bois peint.

## Die Auslieferung des Produktaufklebers erfolgt auf eine dieser Arten:

### 1) Produkt-Schild aus Metall incl. Schrauben

- Die Befestigung des Schildes erfolgt mittels der Schrauben.

### 2) Aufkleber

- Entfernen Sie zunächst Schmutz und Feuchtigkeit vom lackierten Metall bzw. von der Holzoberfläche und bringen Sie den Aufkleber wie im Bild oben rechts beschrieben auf den gesäuberten Untergrund auf.
- Beachten Sie: Bringen Sie den Aufkleber nicht auf raues laminiertes oder lackiertes Holz an.

DET 1,2

|             |     |          |     |
|-------------|-----|----------|-----|
| ① 903176    | PCS | ② 909850 | PCS |
|             | 4   |          | 4   |
|             |     | M8x25    |     |
| ③ 909256    | PCS | ④ 909633 | PCS |
|             | 8   |          | 4   |
| Ø16/8.4x1.6 |     | M8       |     |
| ⑤ 980123    | PCS |          | PCS |
|             | 4   |          |     |
| Ø7x60       |     |          |     |

\*Note:  
No gaps between:  
8–25mm  
89–230mm

800

80

\*Note

800

80

\*Note

| COLOR OPTIONS |            |
|---------------|------------|
| -701          | BLUE       |
| -702          | YELLOW     |
| -703          | LIME       |
| -704          | DARK GRAY  |
| -705          | LIGHT GRAY |
| -706          | RED        |
| -707          | GREEN      |
| -708          | FUXIA      |

GAME WALL OPTIONS

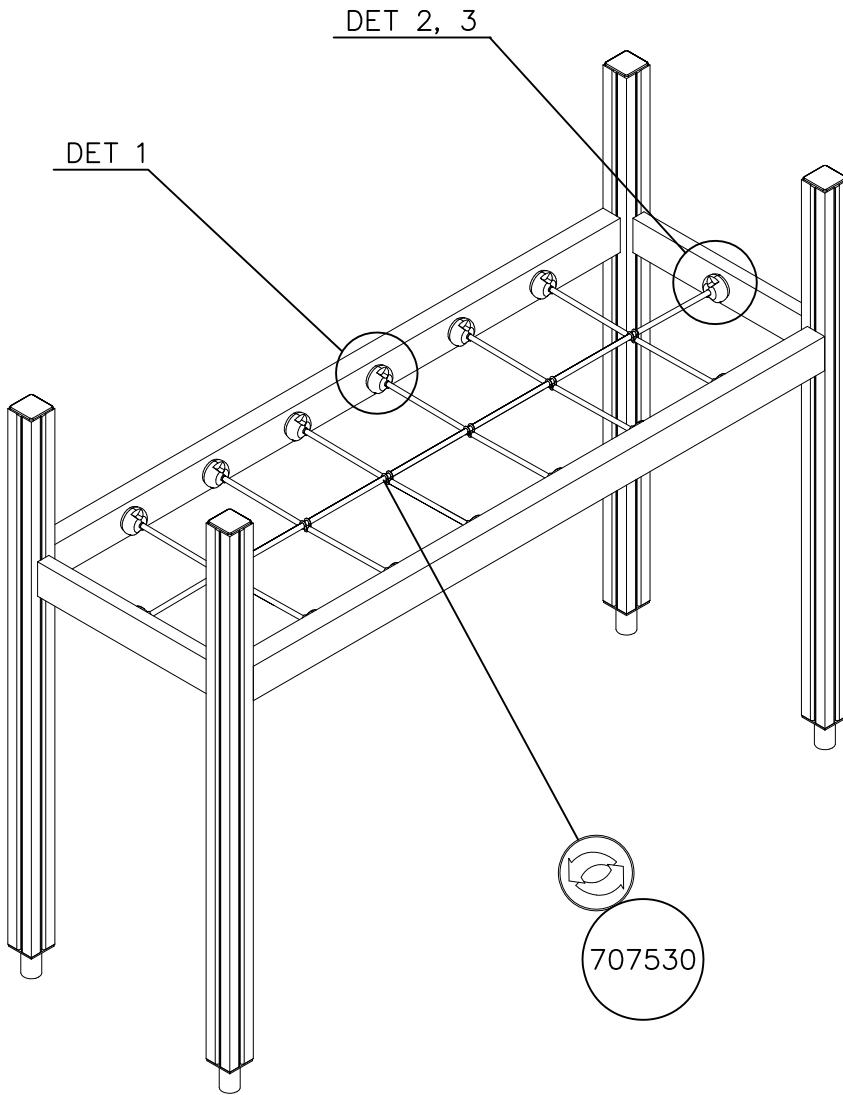
|   |   |  |  |
|---|---|--|--|
| 706766  | 706772  | 706308   | 707453   |
|    |    |    |   |
| 640x702   | 640x702   | 640x702  | 640x702  |
| 707209  | 705705  | 707433   | 707386   |
|   |   |   |  |
| 640x702   | 640x702   | 640x702  | 640x702  |
| 709403  | 709358  | 709405   |  |
|  |  |  |  |
| 640x702   | 640x702   | 420x702  |  |

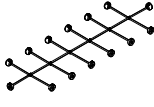

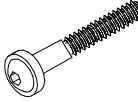

DET 1



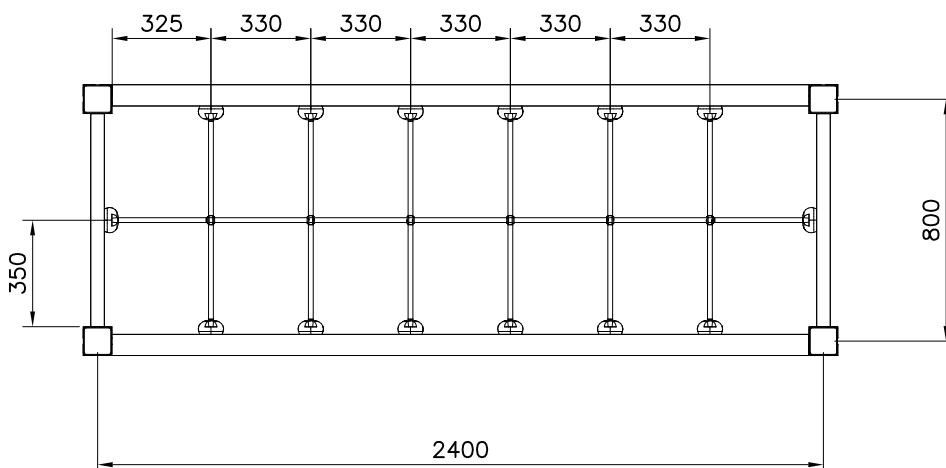
DET 2





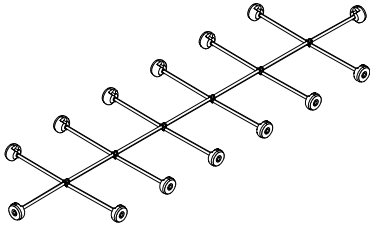
|   |     |   |     |
|---|-----|---|-----|
| ① 707530  | PCS | ② 900240  | PCS |
|  | 1   |  | 24  |
| 755x2355  |     | Ø8x70   |     |
| ③ 909867  | PCS | ④ 980150  | PCS |
|  | 4   |  | 10  |
| M8x70   |     | M8  |     |
|   | PCS |   | PCS |
|   |     |   |     |
|   | PCS |   | PCS |
|   |     |   |     |

1:25



NET OPTIONS

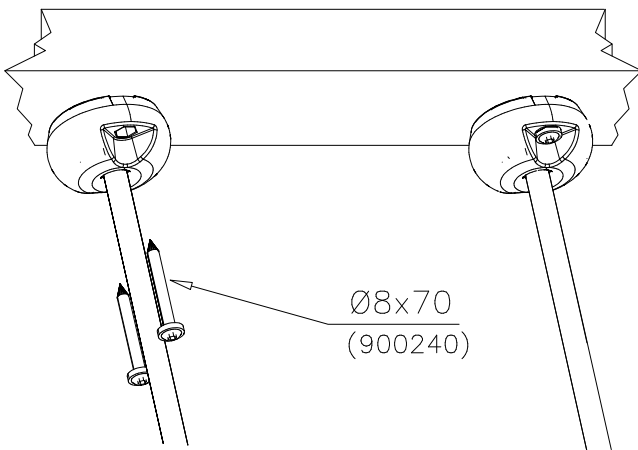
707530



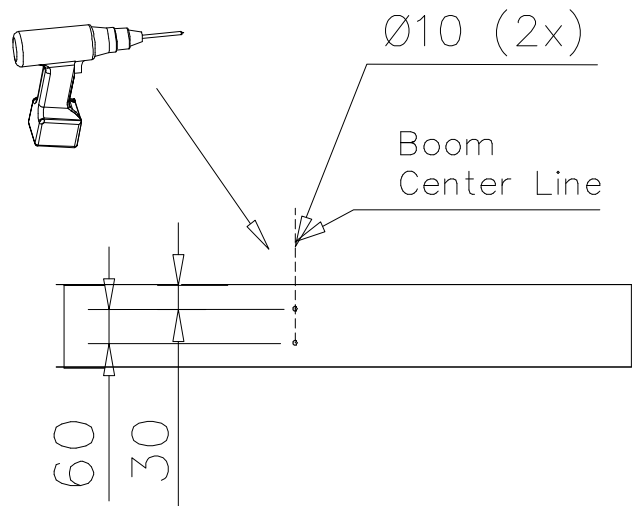
755x2355

- |            |        |
|------------|--------|
| 707530-301 | BLUE   |
| 707530-302 | RED    |
| 707530-303 | BEIGE  |
| 707530-304 | GREY   |
| 707530-305 | BLACK  |
| 707530-306 | YELLOW |

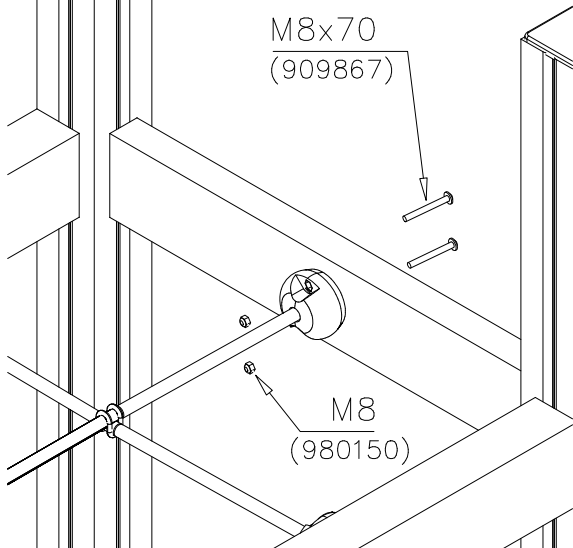
DET 1



DET 2



DET 3







|   |     |   |     |
|---|-----|---|-----|
| ① 900240  | PCS | ② 900727  | PCS |
|  | 1   |  | 1   |
| Ø8x70   |     | M10x80  |     |
|   | PCS |   | PCS |
|   |     |   |     |
|   |     |   |     |
| ③ 907688  | PCS | ③ 907701  | PCS |
|  | 1   |  | 1   |
| 765   |     | 545   |     |
|   | PCS |   | PCS |
|   |     |   |     |
|   |     |   |     |
|   | PCS |   | PCS |
|   |     |   |     |
|   |     |   |     |
|   |     |   |     |
|   | PCS |   | PCS |
|   |     |   |     |
|   |     |   |     |
|   |     |   |     |
|   | PCS |   | PCS |
|   |     |   |     |
|   |     |   |     |

