

# LAPPSET®

## FINNO

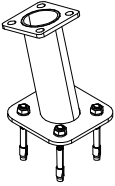
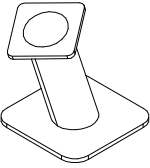
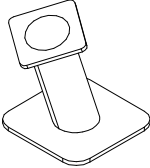
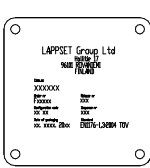

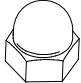

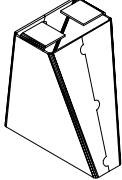

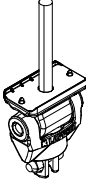
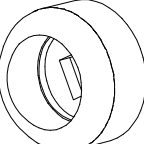
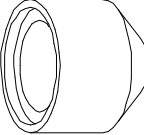
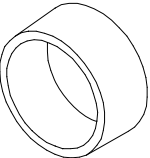
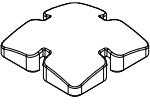
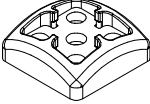
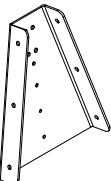
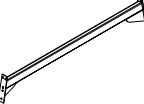
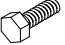
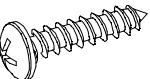
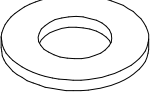
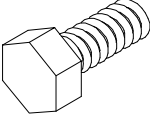
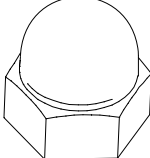
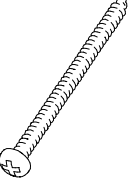

ASENNUSOHJE  
MONTERINGSANSVISNING  
INSTALLATION INSTRUCTION  
AUFBAUANLEITUNG  
NOTICE D'INSTALLATION

DATE: 24.7.2017

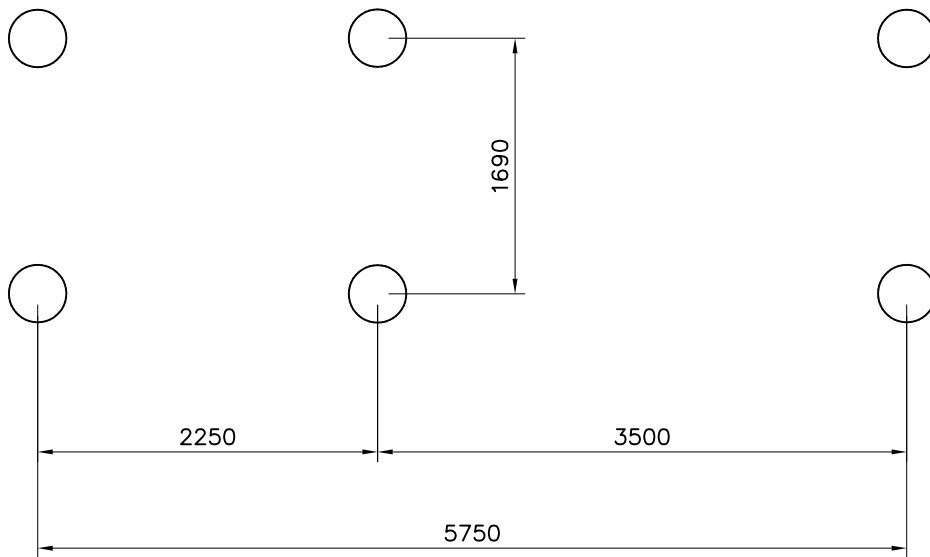
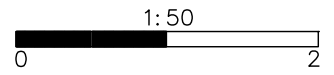
### Q10438-1

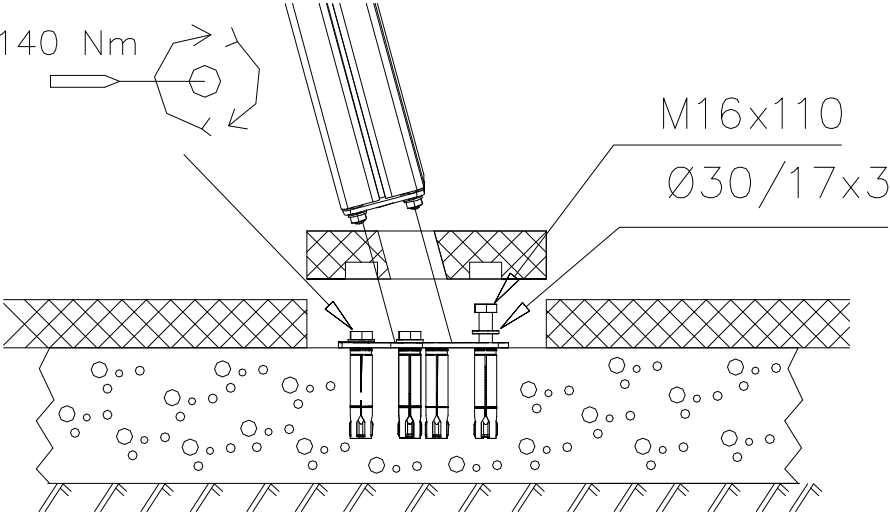


DATE: 24.7.2017

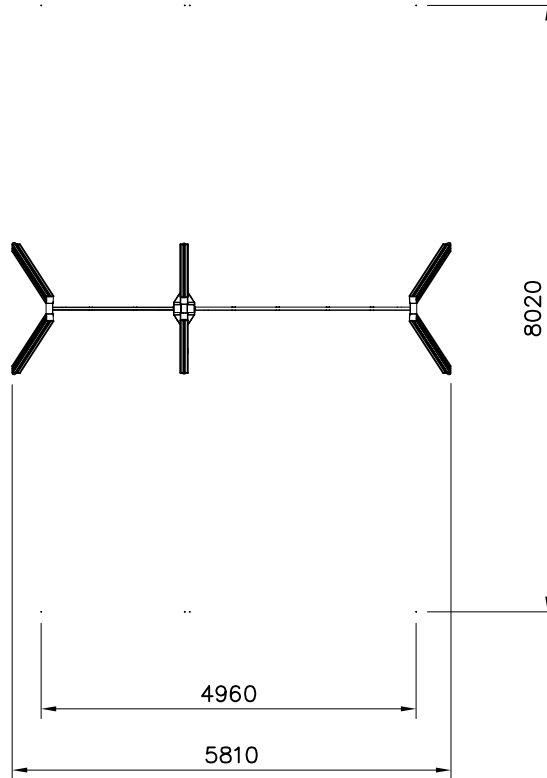
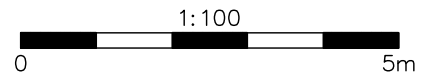
|                                                                                                          |           |                                                                                                           |           |                                                                                                         |          |                                                                                                      |          |                                                                                                            |           |                                                                                                           |           |
|----------------------------------------------------------------------------------------------------------|-----------|-----------------------------------------------------------------------------------------------------------|-----------|---------------------------------------------------------------------------------------------------------|----------|------------------------------------------------------------------------------------------------------|----------|------------------------------------------------------------------------------------------------------------|-----------|-----------------------------------------------------------------------------------------------------------|-----------|
| <br>701900<br>L 150     | PCS<br>2  | <br>701902<br>L 150      | PCS<br>2  | <br>701903<br>L 150    | PCS<br>2 | <br>702286<br>65x65 | PCS<br>1 | <br>706564-602<br>L2650 | PCS<br>6  | <br>900965<br>M10      | PCS<br>8  |
| <br>903149<br>M12x30    | PCS<br>8  | <br>904317               | PCS<br>1  | <br>904333<br>L2940    | PCS<br>1 | <br>904904          | PCS<br>6 | <br>905090<br>Ø45       | PCS<br>18 | <br>905104<br>M10      | PCS<br>24 |
| <br>905115<br>Ø30       | PCS<br>18 | <br>905138               | PCS<br>6  | <br>905196             | PCS<br>6 | <br>905991          | PCS<br>2 | <br>906216<br>L1690     | PCS<br>1  | <br>909347<br>M12x35   | PCS<br>18 |
| <br>909506<br>Ø3.5x13 | PCS<br>4  | <br>909638<br>Ø20/10.5 | PCS<br>16 | <br>909639<br>M10x25 | PCS<br>8 | <br>909644<br>M12 | PCS<br>8 | <br>980131<br>Ø6x60   | PCS<br>24 | <br>980154<br>Ø24x13 | PCS<br>34 |
|                                                                                                          | PCS       |                                                                                                           | PCS       |                                                                                                         | PCS      |                                                                                                      | PCS      |                                                                                                            | PCS       |                                                                                                           | PCS       |
|                                                                                                          | PCS       |                                                                                                           | PCS       |                                                                                                         | PCS      |                                                                                                      | PCS      |                                                                                                            | PCS       |                                                                                                           | PCS       |

—— EN/AS Impact Area 39.3 m<sup>2</sup>  
- - - - Falling Space 46.5 m<sup>2</sup>  
Max Falling Height 1400 mm

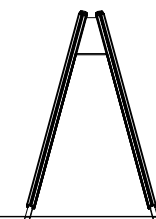
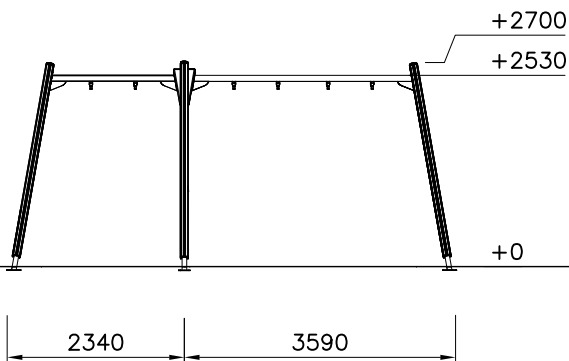


|                                                                                                                              |  |  |
|------------------------------------------------------------------------------------------------------------------------------|--|--|
|  <p>140 Nm</p> <p>M16x110<br/>Ø30/17x3</p> |  |  |
|                                                                                                                              |  |  |
|                                                                                                                              |  |  |

—— EN/AS Impact Area 39.3 m<sup>2</sup>  
 - - - - Falling Space 46.5 m<sup>2</sup>  
 Max Falling Height 1400 mm



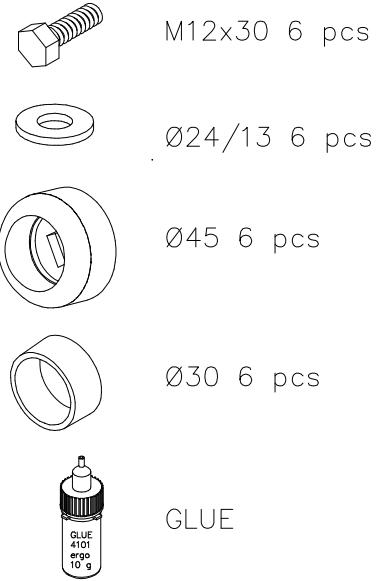
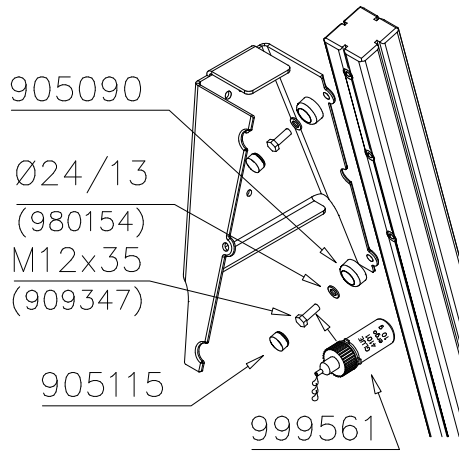
Copyright Lappset Group Ltd



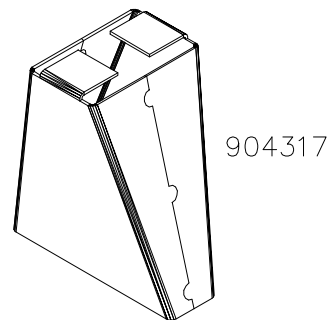
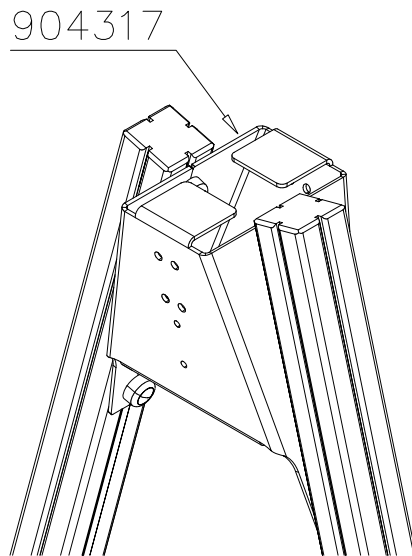
|                                                                                                                                                                   |                                                                                                                       |
|-------------------------------------------------------------------------------------------------------------------------------------------------------------------|-----------------------------------------------------------------------------------------------------------------------|
| <p>DET A</p> <p>Ø24/13 (980154)<br/>M12x30 (903149)<br/>M12 (909644)<br/>80Nm (M12)<br/>M10x25 (909639)<br/>Ø20/10.5 (909638)<br/>M10 (900965)<br/>45Nm (M10)</p> | <p>M12x30 2 pcs<br/>Ø24/13 4 pcs<br/>M12 2 pcs<br/>M10x25 2 pcs<br/>Ø20/10.5 4 pcs<br/>M10 2 pcs<br/>905991 1 pcs</p> |
| <p>DET A</p> <p>999561<br/>GLUE<br/>Ø24/13 (980154)<br/>905115<br/>12x35 (909347)<br/>905090</p>                                                                  | <p>M12x30 6 pcs<br/>Ø24/13 6 pcs<br/>Ø45 6 pcs<br/>Ø30 6 pcs<br/>GLUE</p>                                             |
| <p>DET B</p> <p>Ø24/13 (980154)<br/>M12x30 (903149)<br/>M12 (909644)<br/>80Nm<br/>M10x25 (909639)<br/>Ø20/10.5 (909638)<br/>M10 (900965)<br/>45Nm</p>             | <p>M12x30 2 pcs<br/>Ø24/13 4 pcs<br/>M12 2 pcs<br/>M10x25 2 pcs<br/>Ø20/10.5 4 pcs<br/>M10 2 pcs</p>                  |

REF: SWING  
DATE: 9.5.2014

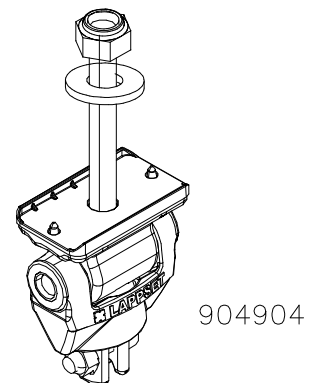
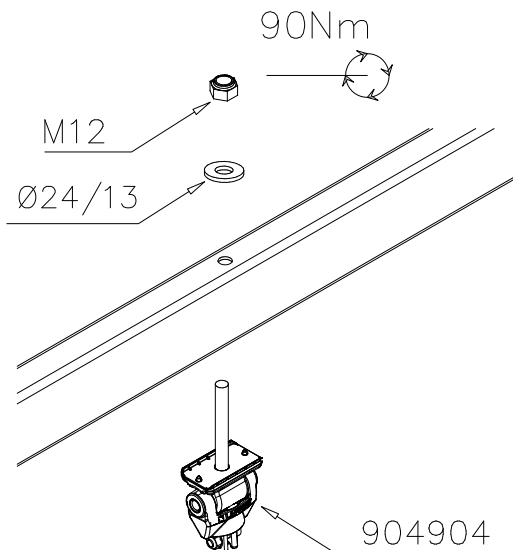
DET B



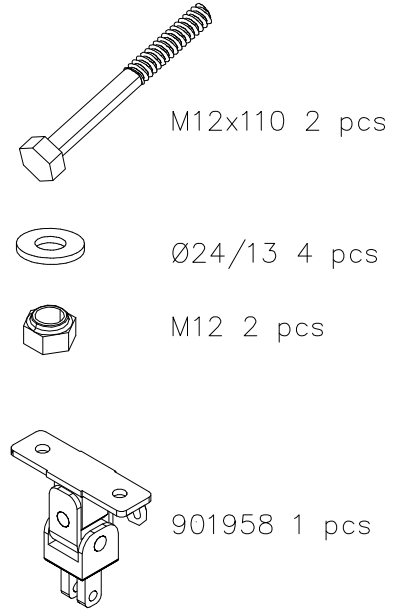
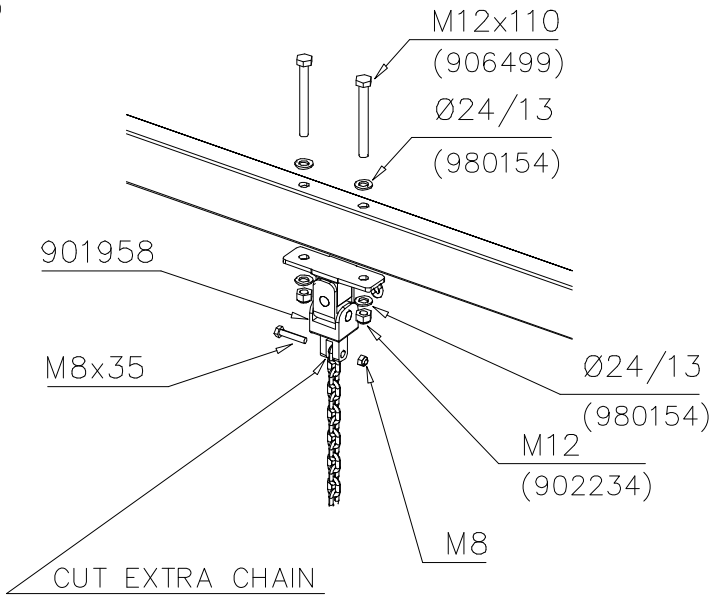
DET B



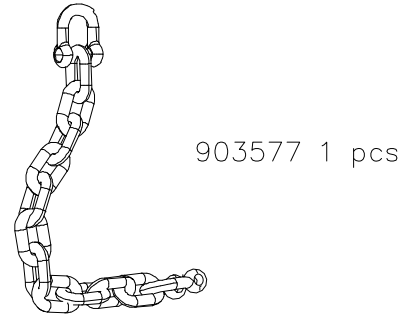
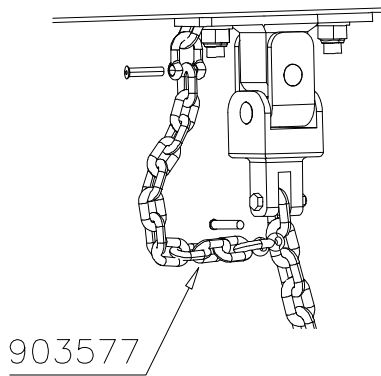
DET C



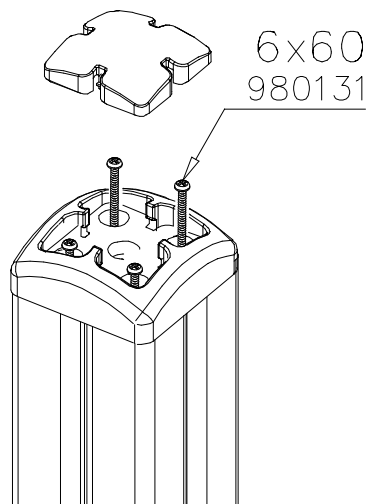
DET D



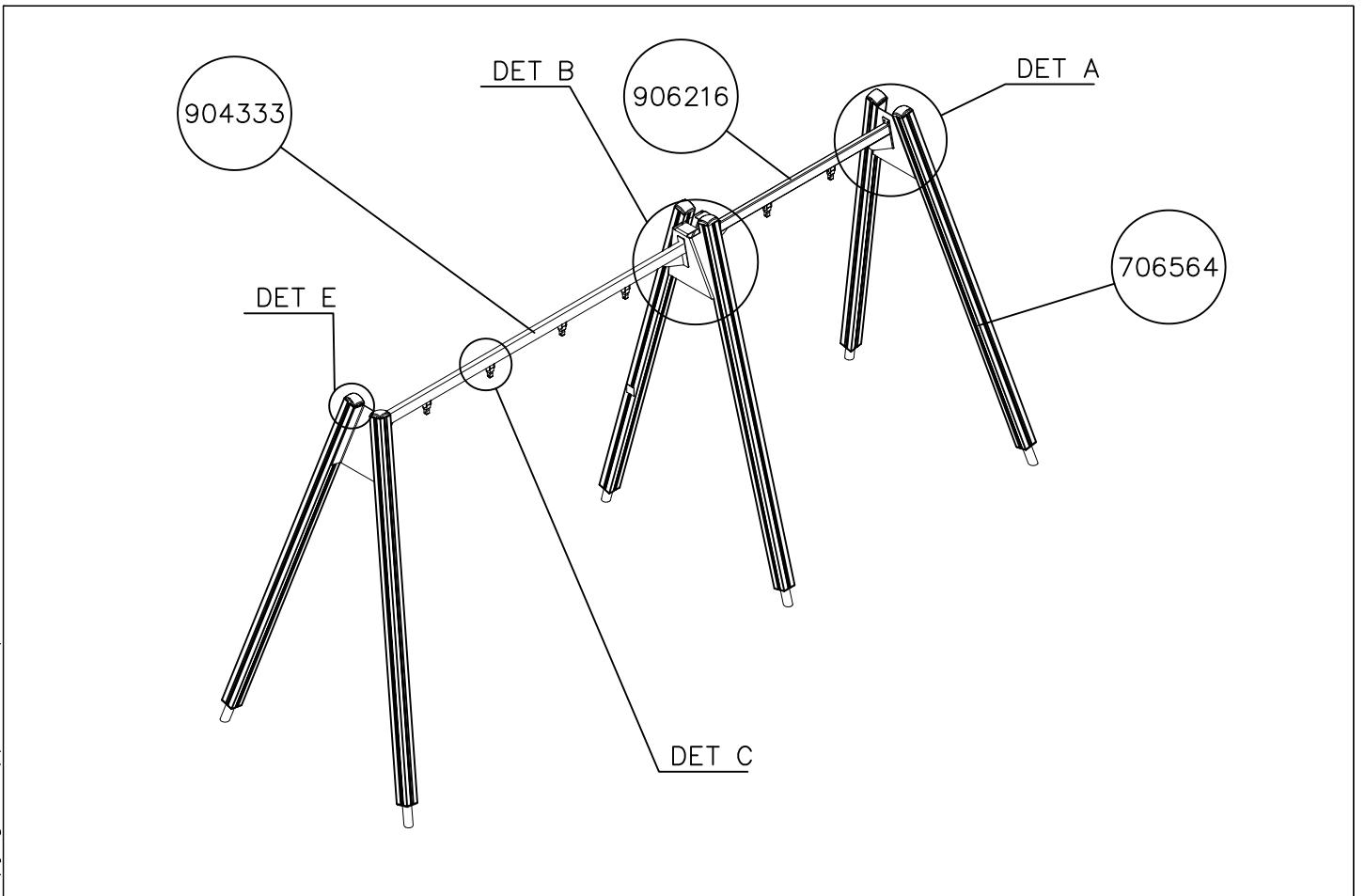
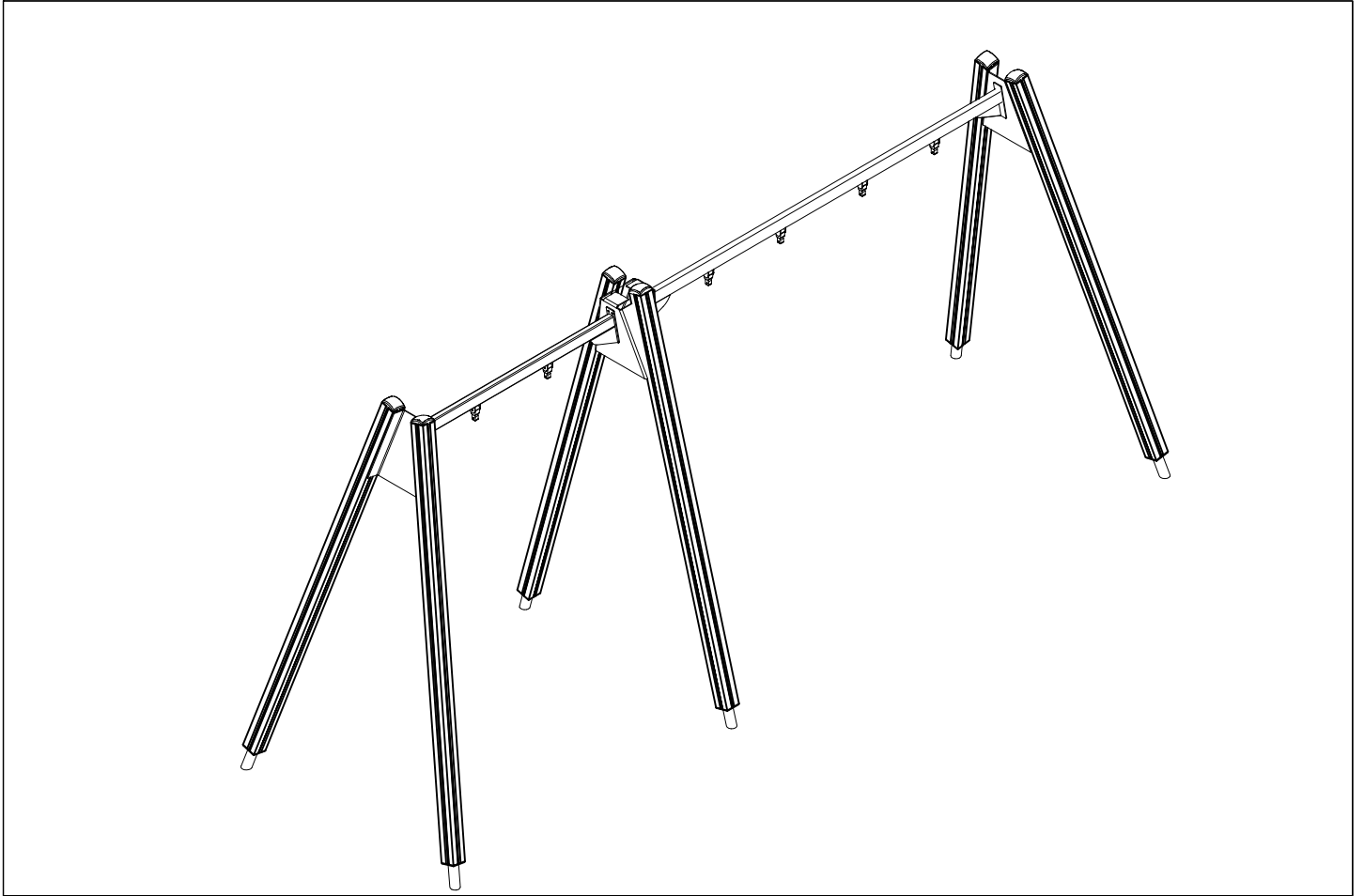
DET D



DET E





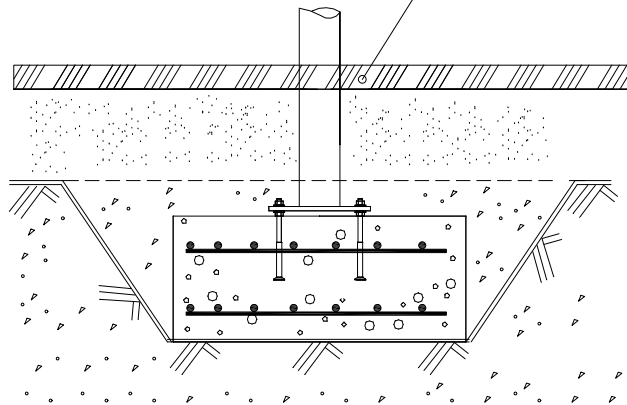


|                                                                                                 |                                                                                                                                                                                                                                                                                                                                                                                                                                                      |                                                                                                                                                                                                                                                                                                                             |                 |                 |                |         |                |         |                |       |                |                                                                                       |
|-------------------------------------------------------------------------------------------------|------------------------------------------------------------------------------------------------------------------------------------------------------------------------------------------------------------------------------------------------------------------------------------------------------------------------------------------------------------------------------------------------------------------------------------------------------|-----------------------------------------------------------------------------------------------------------------------------------------------------------------------------------------------------------------------------------------------------------------------------------------------------------------------------|-----------------|-----------------|----------------|---------|----------------|---------|----------------|-------|----------------|---------------------------------------------------------------------------------------|
|                 |                                                                                                                                                                                                                                                                                                                                                                                                                                                      |                                                                                                                                                                                                                                                                                                                             |                 |                 |                |         |                |         |                |       |                |                                                                                       |
| <p><b><math>h &lt; 600</math></b></p> <p>Without movement and therefore without Impact Area</p> | <p>Totally hard surfaces.</p> <p>Note. Lappset does <u>not recommend</u> totally hard surfaces at all.</p>                                                                                                                                                                                                                                                                                                                                           | <p>E.g. concrete or asphalt</p>                                                                                                                                                                                                          |                 |                 |                |         |                |         |                |       |                |                                                                                       |
| <p><b><math>h &lt; 600</math></b></p> <p>With movement e.g. rocking</p>                         | <p>Materials with very limited impact attenuating properties.</p>                                                                                                                                                                                                                                                                                                                                                                                    | <p>E.g. wood</p>                                                                                                                                                                                                                         |                 |                 |                |         |                |         |                |       |                |                                                                                       |
| <p><b><math>h &lt; 1000</math></b></p>                                                          | <p>Materials with significant impact attenuating properties.</p>                                                                                                                                                                                                                                                                                                                                                                                     | <p>fine gravel 0–8 mm</p>  <p>grass</p>  <p>unsorted sand</p>  |                 |                 |                |         |                |         |                |       |                |                                                                                       |
| <p><b><math>h &lt; 3000</math></b></p>                                                          | <p>Loose fill material</p> <p>E.g.<br/>sand/gravel 0,25...8 mm D60/D10&lt;3,0<br/>Woodchips 5...30 mm<br/>bark 20...80 mm</p>                                                                                                                                                                                                                                                                                                                        |  <table data-bbox="1021 1691 1332 1792"> <tr> <td><math>\underline{S}</math></td> <td><math>\underline{h}</math></td> </tr> <tr> <td>30 cm</td> <td>&lt; 2,0 m</td> </tr> <tr> <td>40 cm</td> <td>&lt; 3,0 m</td> </tr> </table>       | $\underline{S}$ | $\underline{h}$ | 30 cm          | < 2,0 m | 40 cm          | < 3,0 m |                |       |                |                                                                                       |
| $\underline{S}$                                                                                 | $\underline{h}$                                                                                                                                                                                                                                                                                                                                                                                                                                      |                                                                                                                                                                                                                                                                                                                             |                 |                 |                |         |                |         |                |       |                |                                                                                       |
| 30 cm                                                                                           | < 2,0 m                                                                                                                                                                                                                                                                                                                                                                                                                                              |                                                                                                                                                                                                                                                                                                                             |                 |                 |                |         |                |         |                |       |                |                                                                                       |
| 40 cm                                                                                           | < 3,0 m                                                                                                                                                                                                                                                                                                                                                                                                                                              |                                                                                                                                                                                                                                                                                                                             |                 |                 |                |         |                |         |                |       |                |                                                                                       |
|                                                                                                 | <p>Syntethic granulates</p> <table data-bbox="406 1892 758 2060"> <tr> <td><math>\underline{S}</math></td> <td><math>\underline{h}</math></td> </tr> <tr> <td>40 mm</td> <td>~&gt; 1,2...1,3 m</td> </tr> <tr> <td>50 mm</td> <td>~&gt; 1,5...1,7 m</td> </tr> <tr> <td>60 mm</td> <td>~&gt; 1,8...2,0 m</td> </tr> <tr> <td>70 mm</td> <td>~&gt; 2,1...2,5 m</td> </tr> </table> <p>Note. For accurate values, see manufacturer's instructions.</p> | $\underline{S}$                                                                                                                                                                                                                                                                                                             | $\underline{h}$ | 40 mm           | ~> 1,2...1,3 m | 50 mm   | ~> 1,5...1,7 m | 60 mm   | ~> 1,8...2,0 m | 70 mm | ~> 2,1...2,5 m |  |
| $\underline{S}$                                                                                 | $\underline{h}$                                                                                                                                                                                                                                                                                                                                                                                                                                      |                                                                                                                                                                                                                                                                                                                             |                 |                 |                |         |                |         |                |       |                |                                                                                       |
| 40 mm                                                                                           | ~> 1,2...1,3 m                                                                                                                                                                                                                                                                                                                                                                                                                                       |                                                                                                                                                                                                                                                                                                                             |                 |                 |                |         |                |         |                |       |                |                                                                                       |
| 50 mm                                                                                           | ~> 1,5...1,7 m                                                                                                                                                                                                                                                                                                                                                                                                                                       |                                                                                                                                                                                                                                                                                                                             |                 |                 |                |         |                |         |                |       |                |                                                                                       |
| 60 mm                                                                                           | ~> 1,8...2,0 m                                                                                                                                                                                                                                                                                                                                                                                                                                       |                                                                                                                                                                                                                                                                                                                             |                 |                 |                |         |                |         |                |       |                |                                                                                       |
| 70 mm                                                                                           | ~> 2,1...2,5 m                                                                                                                                                                                                                                                                                                                                                                                                                                       |                                                                                                                                                                                                                                                                                                                             |                 |                 |                |         |                |         |                |       |                |                                                                                       |

REMOVE SAFETY SURFACE/SAND/GRAVEL  
TO CHECK FOUNDATION

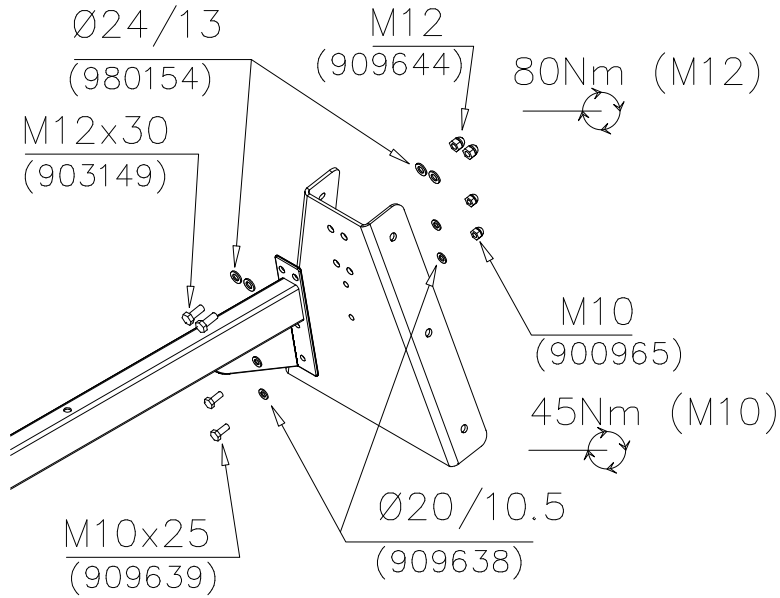


REMOVE SAFETY SURFACE/SAND/GRAVEL  
TO CHECK FOUNDATION



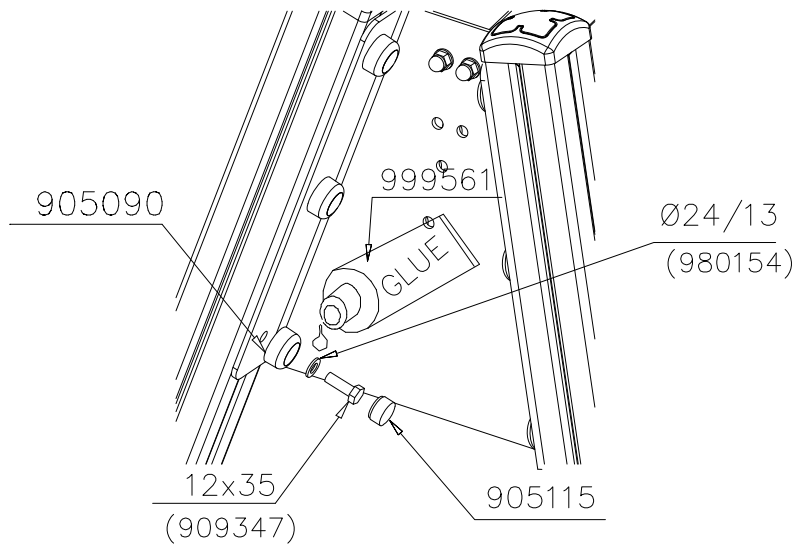
REF: SWING  
DATE: 24.9.2024

DET A



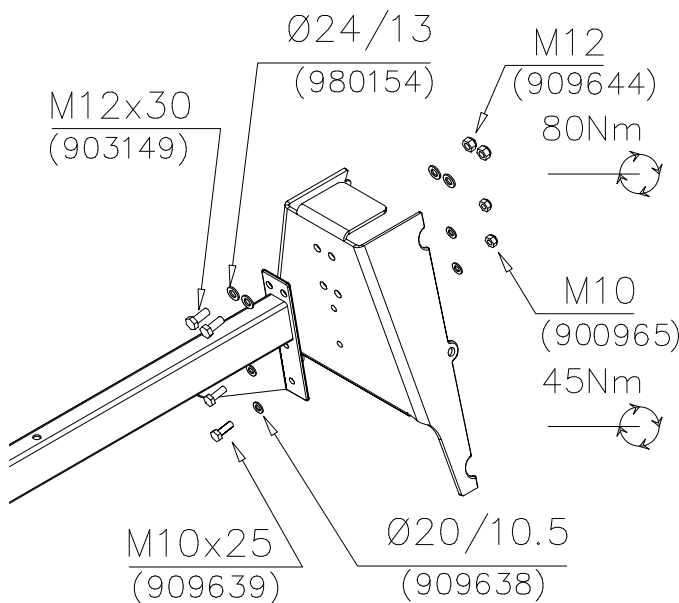
-  M12x30 2 pcs
-  Ø24/13 4 pcs
-  M12 2 pcs
-  M10x25 2 pcs
-  Ø20/10.5 4 pcs
-  M10 2 pcs
-  905991 1 pcs

DET A1



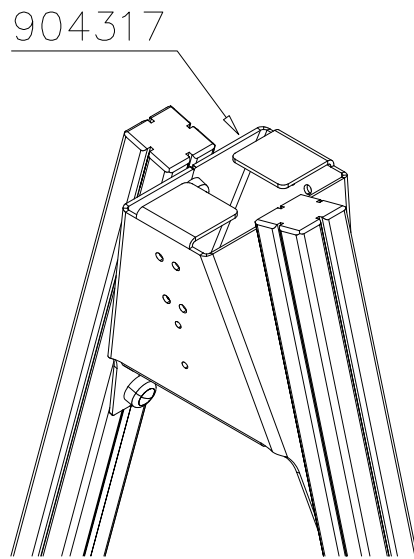
-  M12x35 6 pcs
-  Ø24/13 6 pcs
-  Ø45 6 pcs
-  Ø30 6 pcs
-  GLUE

DET B

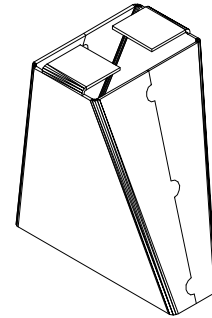


-  M12x30 2 pcs
-  Ø24/13 4 pcs
-  M12 2 pcs
-  M10x25 2 pcs
-  Ø20/10.5 4 pcs
-  M10 2 pcs

DET B

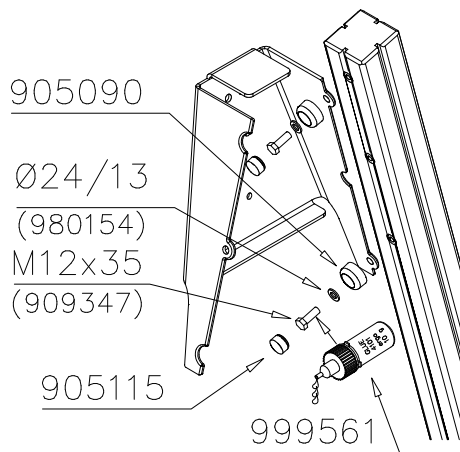


904317



904317

DET B1



905090

Ø24/13

(980154)

M12x35

(909347)

905115

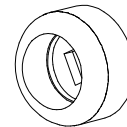
999561



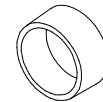
M12x35 6 pcs



Ø24/13 6 pcs



Ø45 6 pcs

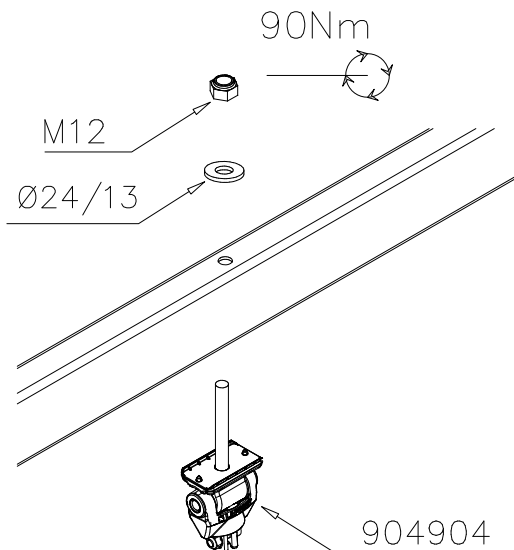


Ø30 6 pcs



GLUE

DET C

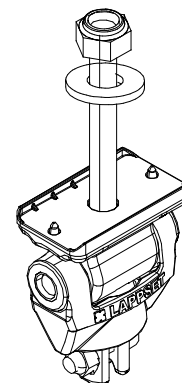


90Nm

M12

Ø24/13

904904



904904

DET D

90Nm

M12x110 (906499)

Ø24/13 (980154)

901958

M8x35

Ø24/13 (980154)

M12 (902234)

M8

CUT EXTRA CHAIN

M12x110 2 pcs

Ø24/13 4 pcs

M12 2 pcs

901958 1 pcs

DET D

903577

903577 1 pcs

DET E

6x60 980131

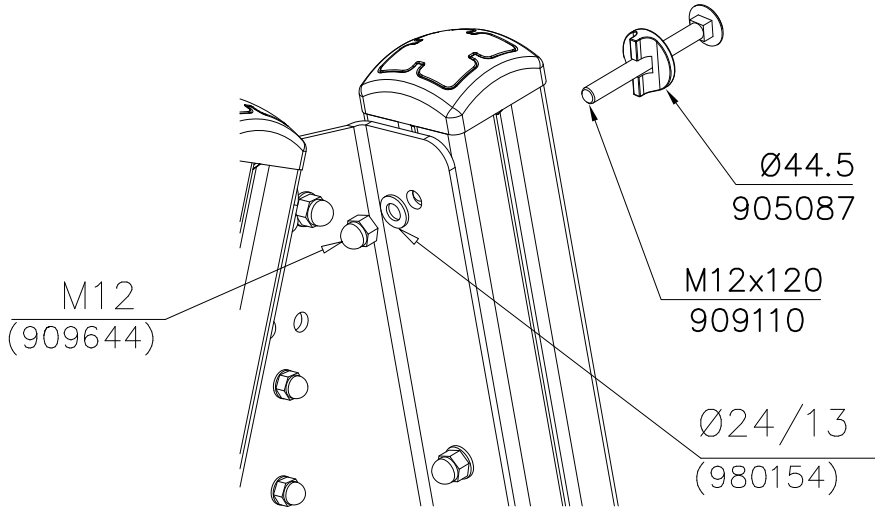
980131 4 pcs

905138 1 pcs

905196 1 pcs

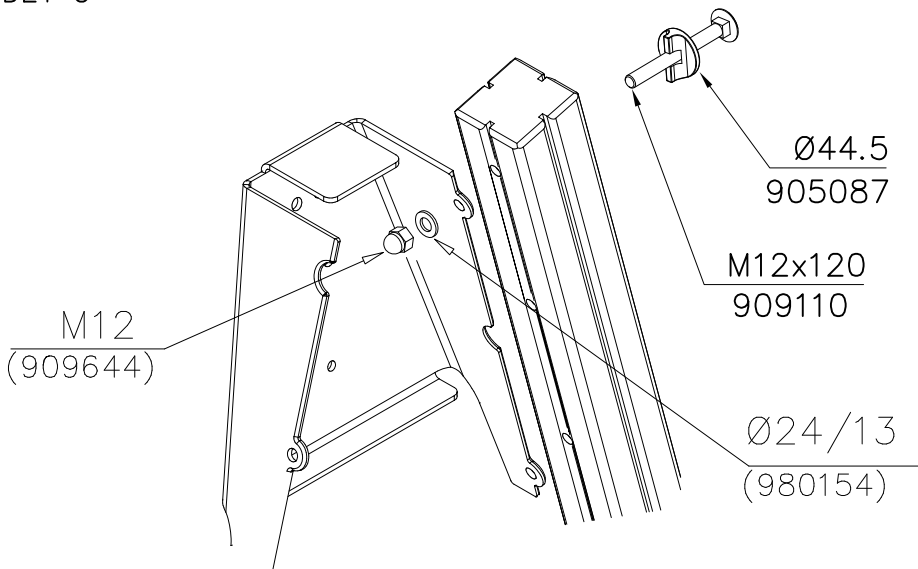
REF: SWING  
DATE: 29.6.2022

DET F



-  M12x120 6 pcs
-  Ø24/13 6 pcs
-  Ø44.5 6 pcs
-  M12 6 pcs

DET G



-  M12x120 6 pcs
-  Ø24/13 6 pcs
-  Ø44.5 6 pcs
-  M12 6 pcs

**LAPPSET®**  
**BETON FOUNDATION**

**FOOT**

DATE: 27.10.2015

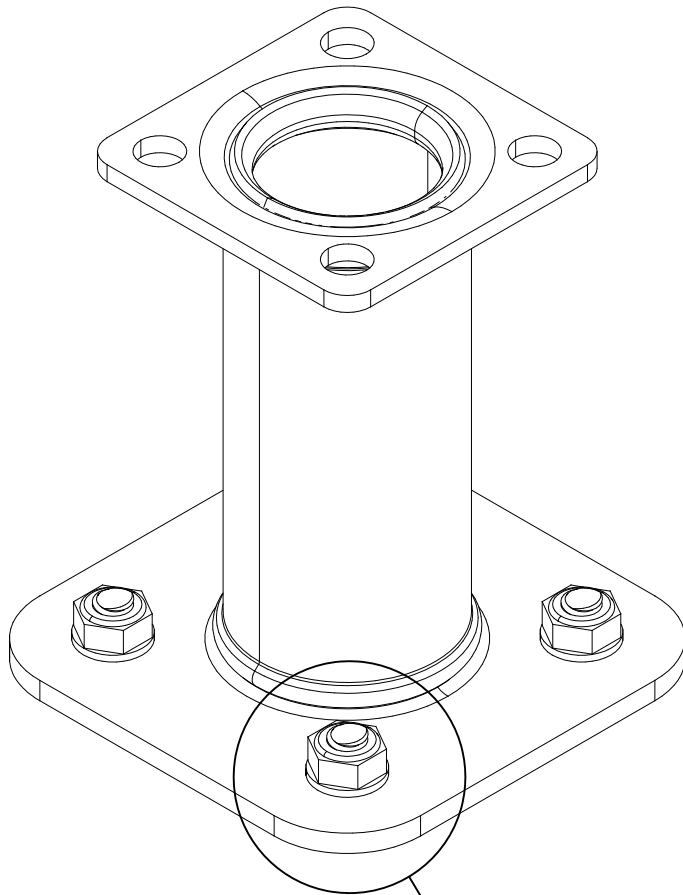
**1(1)**

|                                                                                            |     |  |     |
|--------------------------------------------------------------------------------------------|-----|--|-----|
| ② 905104                                                                                   | PCS |  | PCS |
|                                                                                            | 4   |  |     |
| <br>M10 | PCS |  | PCS |
|                                                                                            |     |  |     |



905104

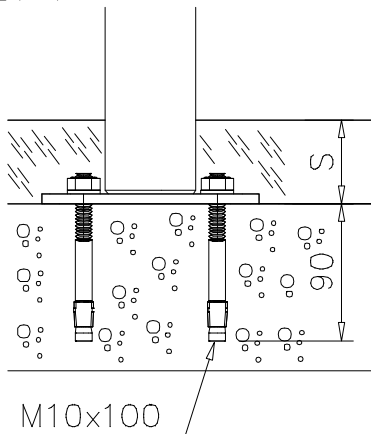




DET 1, 2, 3

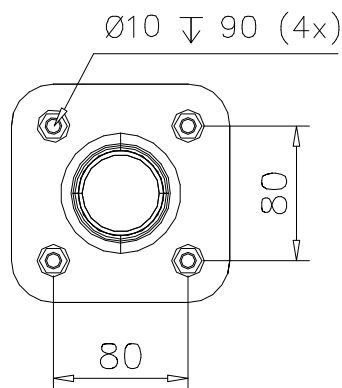
|          |     |          |     |
|----------|-----|----------|-----|
| ① 909531 | PCS | ① 909513 | PCS |
|          | 1   |          | 1   |
|          |     | 60°      |     |
| ① 909514 | PCS | ① 902056 | PCS |
|          | 1   |          | 1   |
|          |     | 75°      | 57° |
| ① 902062 | PCS |          | PCS |
|          | 1   |          |     |
|          |     | 70°      |     |
|          | PCS |          | PCS |
|          |     |          |     |
|          | PCS |          | PCS |
|          |     |          |     |
| ② 909628 | PCS |          | PCS |
|          | 4   |          |     |
| M10x100  |     |          |     |

DET 1

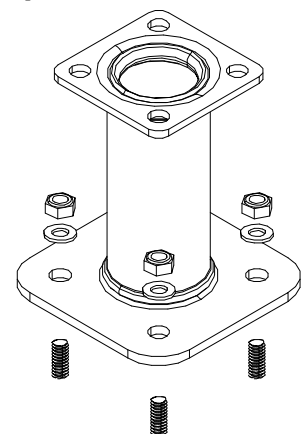


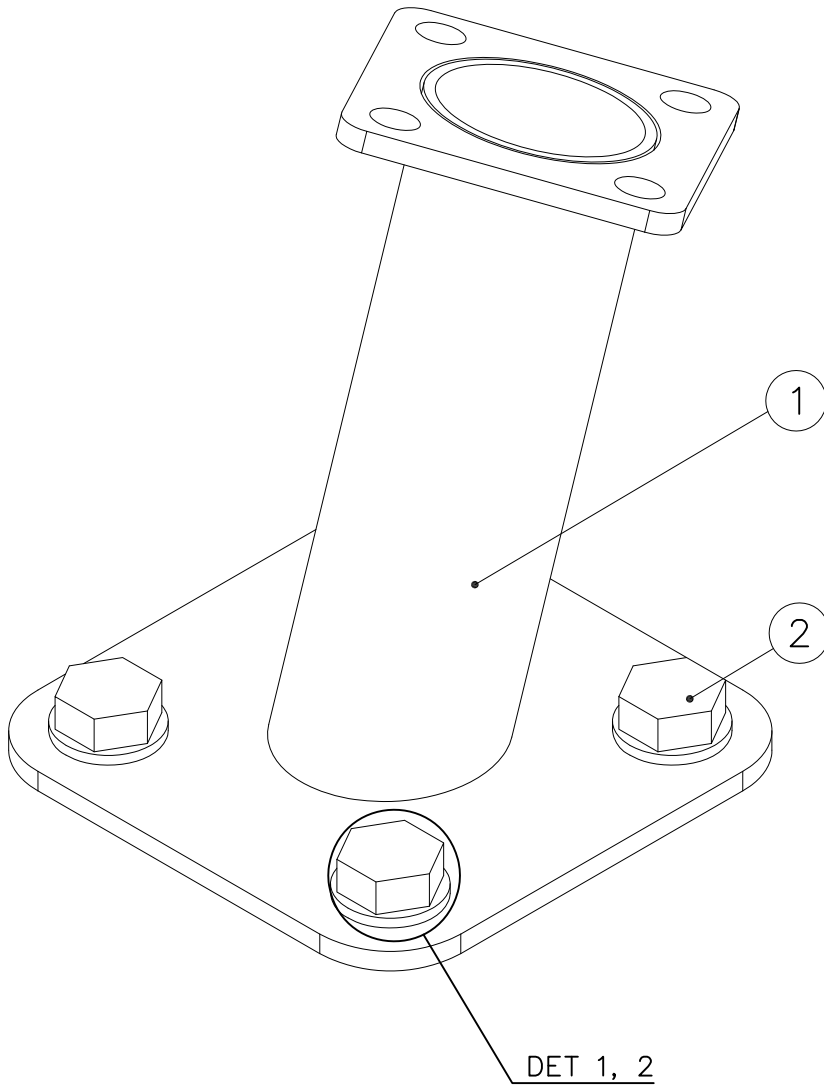
M10x100

DET 2



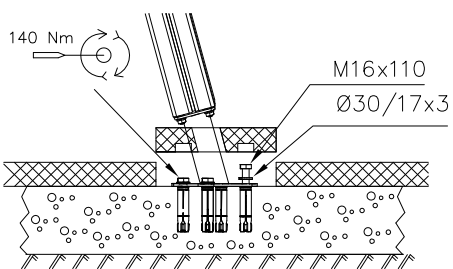
DET 3



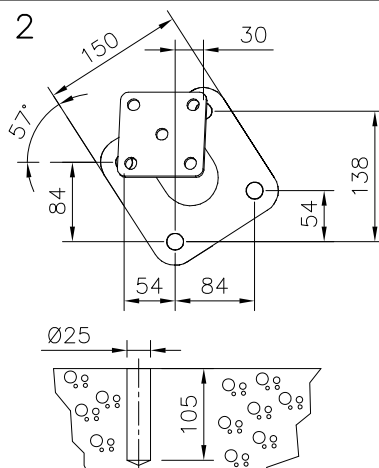


|          |     |          |     |
|----------|-----|----------|-----|
| ① 929550 | PCS | ① 929551 | PCS |
|          | 1   |          | 1   |
| RIGHT    |     | LEFT     |     |
|          | PCS |          | PCS |
|          |     |          |     |
|          | PCS |          | PCS |
|          |     |          |     |
|          | PCS |          | PCS |
|          |     |          |     |
| ② 909520 | PCS | ③ 929426 | PCS |
|          | 4   |          | 4   |
| Ø30/17   |     | M16x100  |     |
| ④ 929914 | PCS |          | PCS |
|          | 4   |          |     |
| M16x110  |     |          |     |

DET 1



DET 2



DET 3

**Tuotekyltti tulee tuotteen mukana yhdellä seuraavista tavoista:****1) Metallinen tuotekyltti ja kiinnitysruuvit**

- Kiinnitä tuotekyltti ruuveilla tolppaan noin 2 metrin korkeuteen kuvan 1 mukaisesti.

**2) Tuotekyltitarra**

- Puhdista maalattu metalli- tai vaneripinta pölystä ja kosteudesta. Liimaa tarra kuvan 2 mukaisesti.
- Huom. Älä kiinnitä tarraa karheapintaiseen laminaattiin tai maalattuun puuhun.

**Vår produktmärkning levereras på ett av följande sätt:****1) Produktskylt i metall**

- Fäst skylten med de medföljande skruvarna

**2) Självhäftande produktetikett**

- Rengör den pulverlackerade metallytan eller laminatyten så att den blir fri från smuts och fukt. Fäst etiketten enligt fig. 2.
- Obs! Fäst ej etiketten på detaljer med skrovlig yta eller på målat trä.

**Product label is delivered by one of following ways:****1) Metal product label and screws**

- Fasten the label with screws.

**2) Label sticker**

- Clean the painted metal or plywood surface from dirt and moisture. Fasten the sticker as shown in the figure 2.
- Note. Do not attach the sticker to rough surfaced laminate or painted wood.

**La plaque d'informations produit est livrée sous l'une de ces 3 formes :****1) Plaque métallique et vis**

- Fixez la plaque à l'aide des vis.

**2) Etiquette autocollante**

- Avant de coller l'étiquette, nettoyez le composant métallique peint ou la plaque de contreplaqué, de toute saleté. La surface doit être sèche (voir image 2).
- Attention, ne pas coller l'étiquette sur une surface lamellé-collée irrégulière ou sur du bois peint.

**Die Auslieferung des Produktaufklebers erfolgt auf eine dieser Arten:****1) Produkt-Schild aus Metall incl. Schrauben**

- Die Befestigung des Schildes erfolgt mittels der Schrauben.

**2) Aufkleber**

- Entfernen Sie zunächst Schmutz und Feuchtigkeit vom lackierten Metall bzw. von der Holzoberfläche und bringen Sie den Aufkleber wie im Bild oben rechts beschrieben auf den gesäuberten Untergrund auf.
- Beachten Sie: Bringen Sie den Aufkleber nicht auf raues laminiertes oder lackiertes Holz an.