


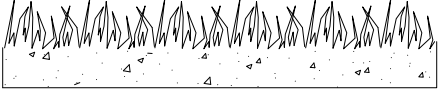
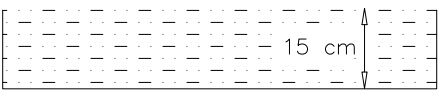
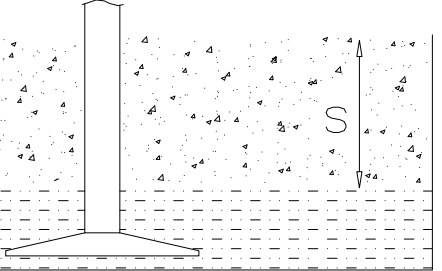
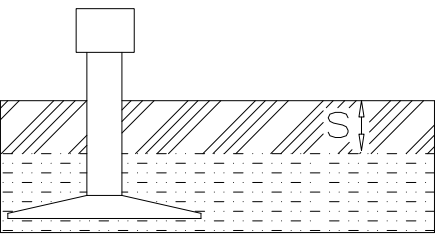
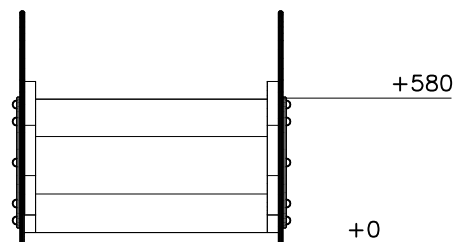
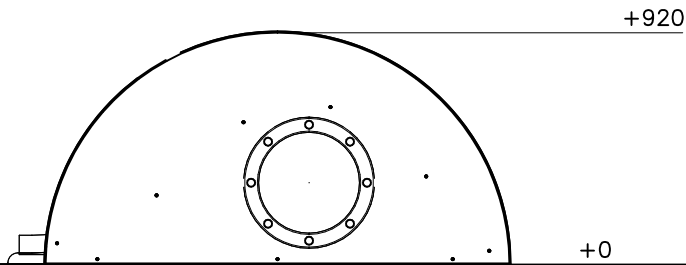
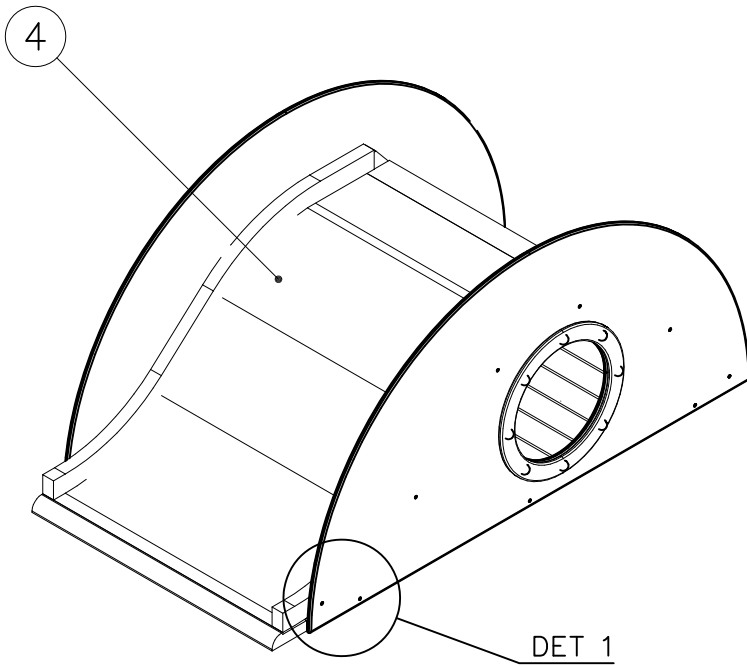
		
<p>$h < 600$</p> <p>Without movement and therefore without Impact Area</p>	<p>Totally hard surfaces.</p> <p>Note. Lappset does <u>not recommend</u> totally hard surfaces at all.</p>	<p>E.g. concrete or asphalt</p> 
<p>$h < 600$</p> <p>With movement e.g. rocking</p>	<p>Materials with very limited impact attenuating properties.</p>	<p>E.g. wood</p> 
<p>$h < 1000$</p>	<p>Materials with significant impact attenuating properties.</p>	<p>fine gravel 0–8 mm</p>  <p>grass</p>  <p>unsorted sand</p> 
<p>$h < 3000$</p>	<p>Loose fill material</p> <p>E.g. sand/gravel 0,25...8 mm D60/D10<3,0 Woodchips 5...30 mm bark 20...80 mm</p>	 <p>\underline{S} \underline{h}</p> <p>30 cm < 2,0 m</p> <p>40 cm < 3,0 m</p>
	<p>Syntethic granulates</p> <p>\underline{S} \underline{h}</p> <p>40 mm ~> 1,2...1,3 m</p> <p>50 mm ~> 1,5...1,7 m</p> <p>60 mm ~> 1,8...2,0 m</p> <p>70 mm ~> 2,1...2,5 m</p> <p>Note. For accurate values, see manufacturer's instructions.</p>	

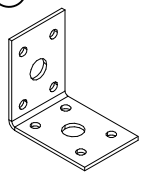
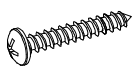


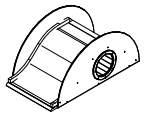
REMOVE SAFETY SURFACE/SAND/GRAVEL
TO CHECK FOUNDATION



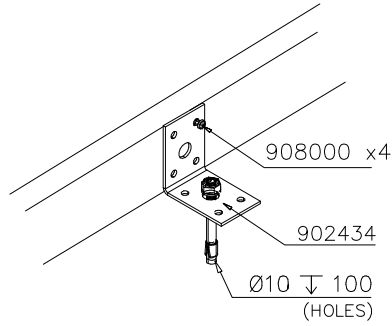
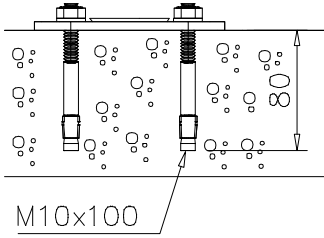
REMOVE SAFETY SURFACE/SAND/GRAVEL
TO CHECK FOUNDATION





① 902434	PCS	② 908000	PCS
	4		16
50x50x35x2,5		Ø4x30	
③ 909628	PCS	④ P12901	PCS
 	4		1
M10x100		1015x1066x2181	

DET 1



Ensure that anchor bolt end is under the safety surface/no open bolt ends.

EN Impact Area 5,4 m²
 EN Falling Space 15,1 m²
 Max Falling Height 1000 mm

