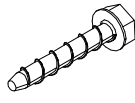
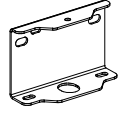
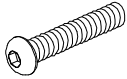


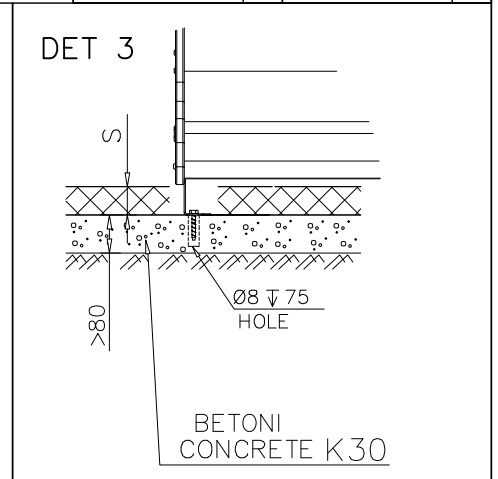
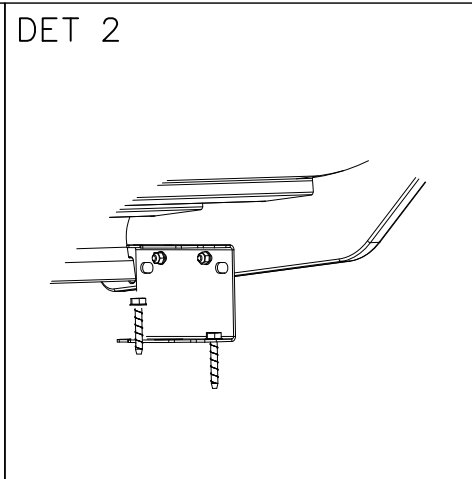
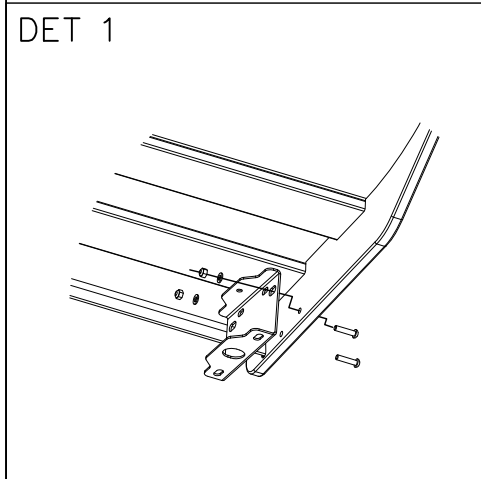
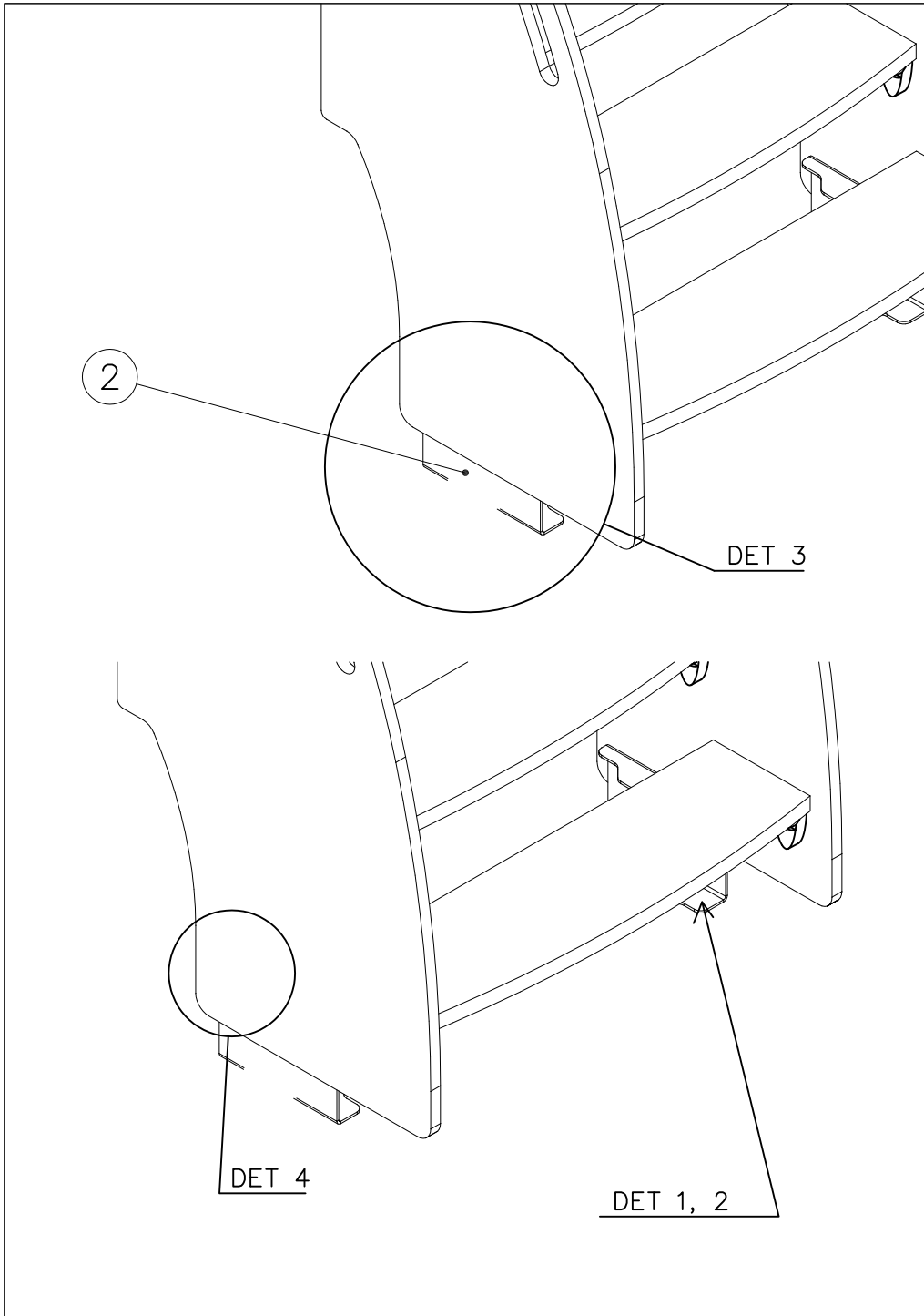
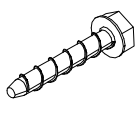
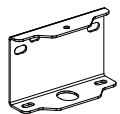
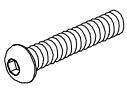



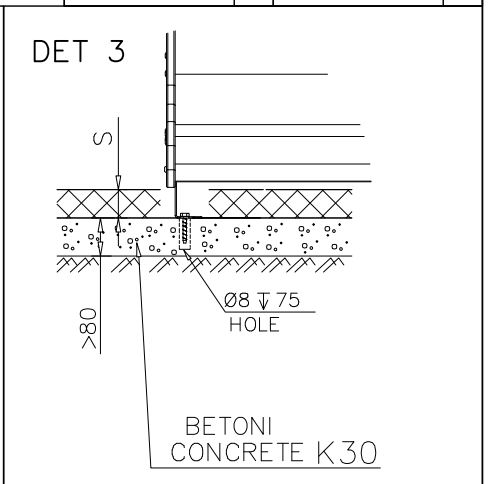
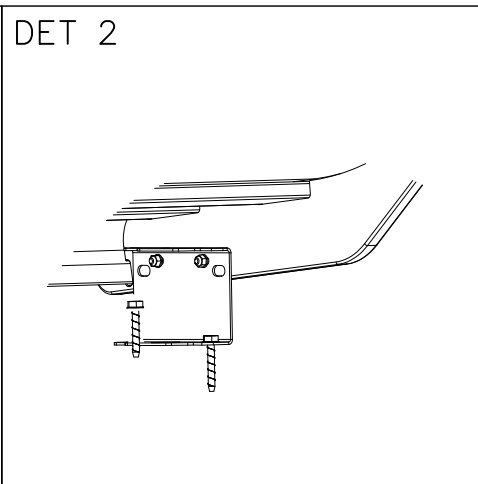
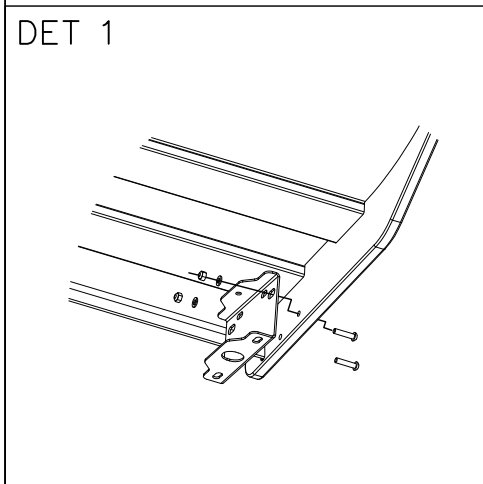


① 902532	PCS	② 908021	PCS
	4		2
Ø10x60			
③ 909855	PCS	④ 980160	PCS
	4		4
M8x35		M8	
⑤ 909256	PCS		PCS
	4		
Ø16/8.4			
	PCS		PCS
	PCS		PCS
	PCS		PCS





① 902532	PCS	② 908021	PCS
	4		2
Ø10x60			
③ 909855	PCS	④ 980160	PCS
	4		4
M8x35		M8	
⑤ 909256	PCS	⑥ 903533	PCS
	4		4
Ø16/8.4			
	PCS		PCS
	PCS		PCS
	PCS		PCS



DET 4

Plug the holes what
you don't need

903533

