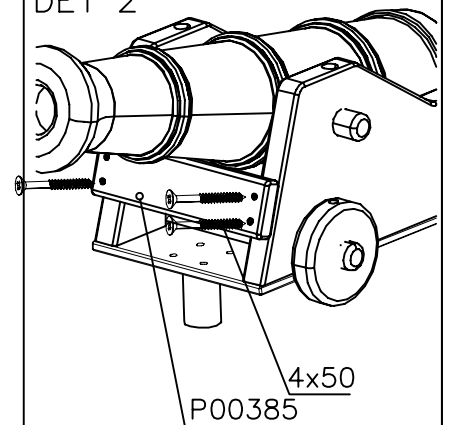
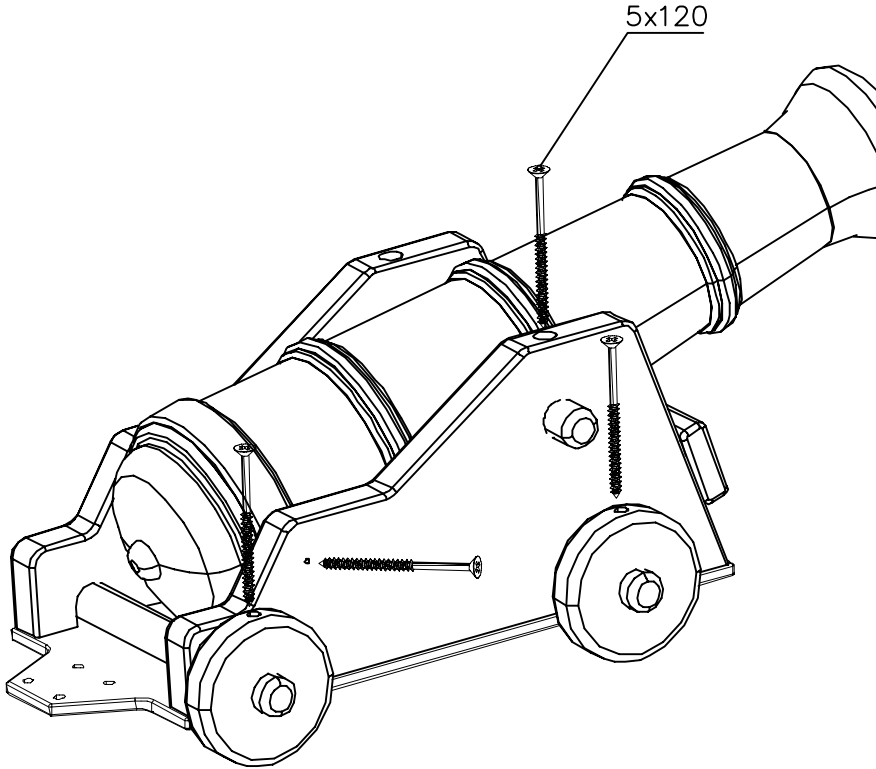


① 909101	PCS	② 909521	PCS
	8		2
8x45			
③ 980103	PCS	④ 980105	PCS
	4		12
4x50		5x120	
⑤ 980150	PCS	⑥ 980151	PCS
	8		8
M8		Ø16/8,4	
⑦ A00025	PCS	⑧ P00140	PCS
	1		4
		Ø170	
⑨ P00384	PCS	⑩ P00385	PCS
	2		1
Ø45x500		L 360	
	PCS		PCS

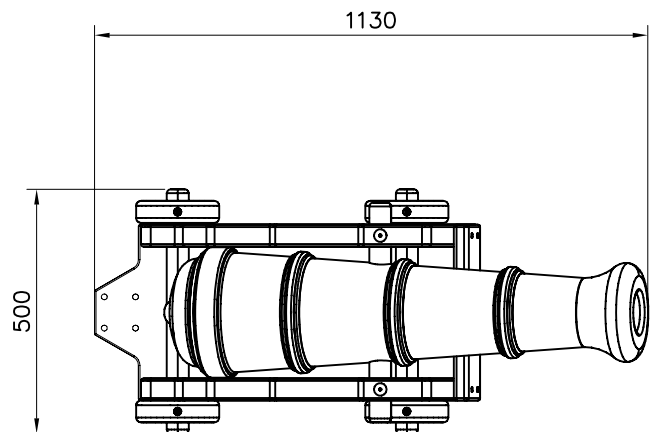
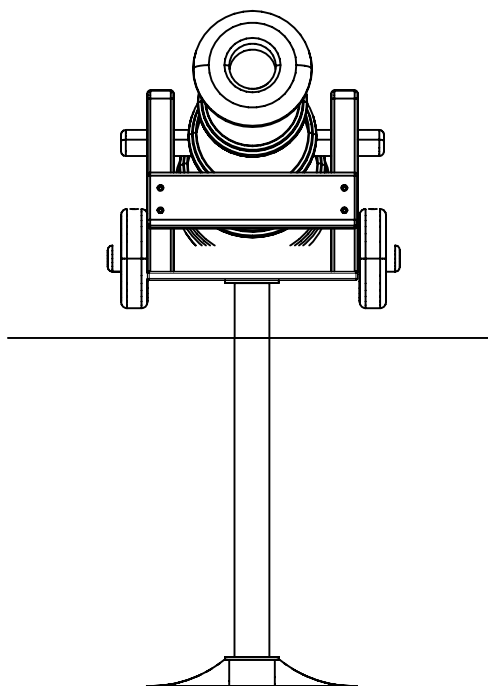
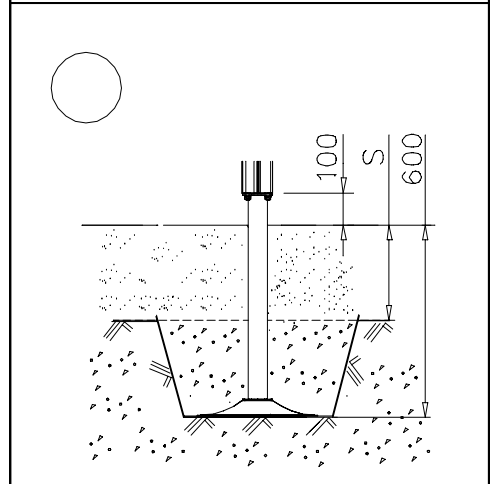
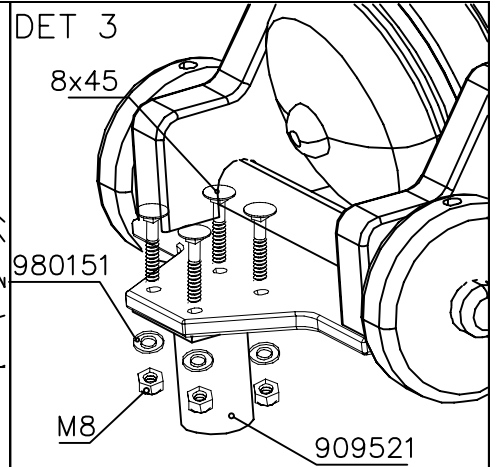
DET 2

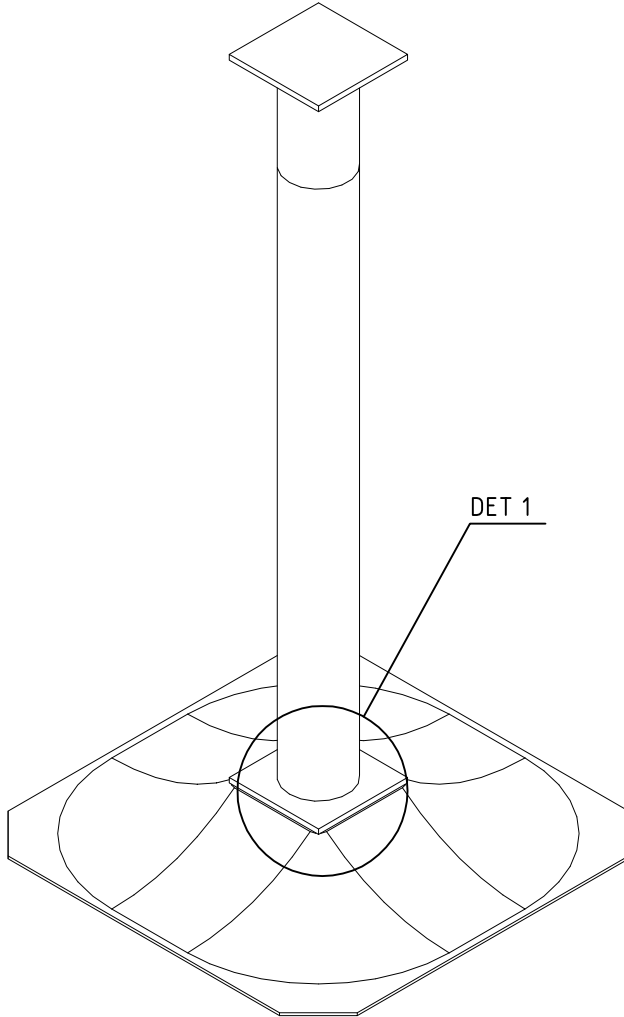



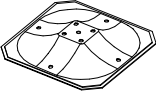


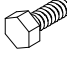
DET 1



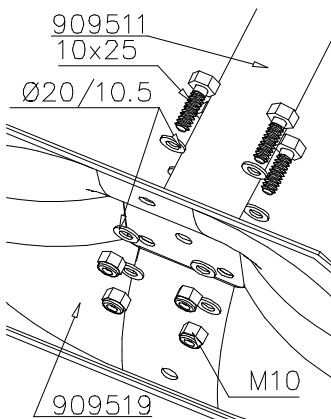
DET 3





①	909511	PCS	②	909519	PCS
		1			1
③	909637	PCS	④	909638	PCS
		4			8
	M10			Ø20/10.5	
⑤	909639	PCS			PCS
		4			
	M10x25				
		PCS			PCS
		PCS			PCS
		PCS			PCS
		PCS			PCS
		PCS			PCS

DET 1



LAPPSET®
DEEP FOUNDATION

FOOT

DATE: 13.3.2014

4A



LAPPSET®
BETON FOUNDATION

FOOT

DATE: 27.10.2015

1(1)

② 905104	PCS		PCS
	4		
 M10	PCS		PCS



905104

