

LAPPSET®

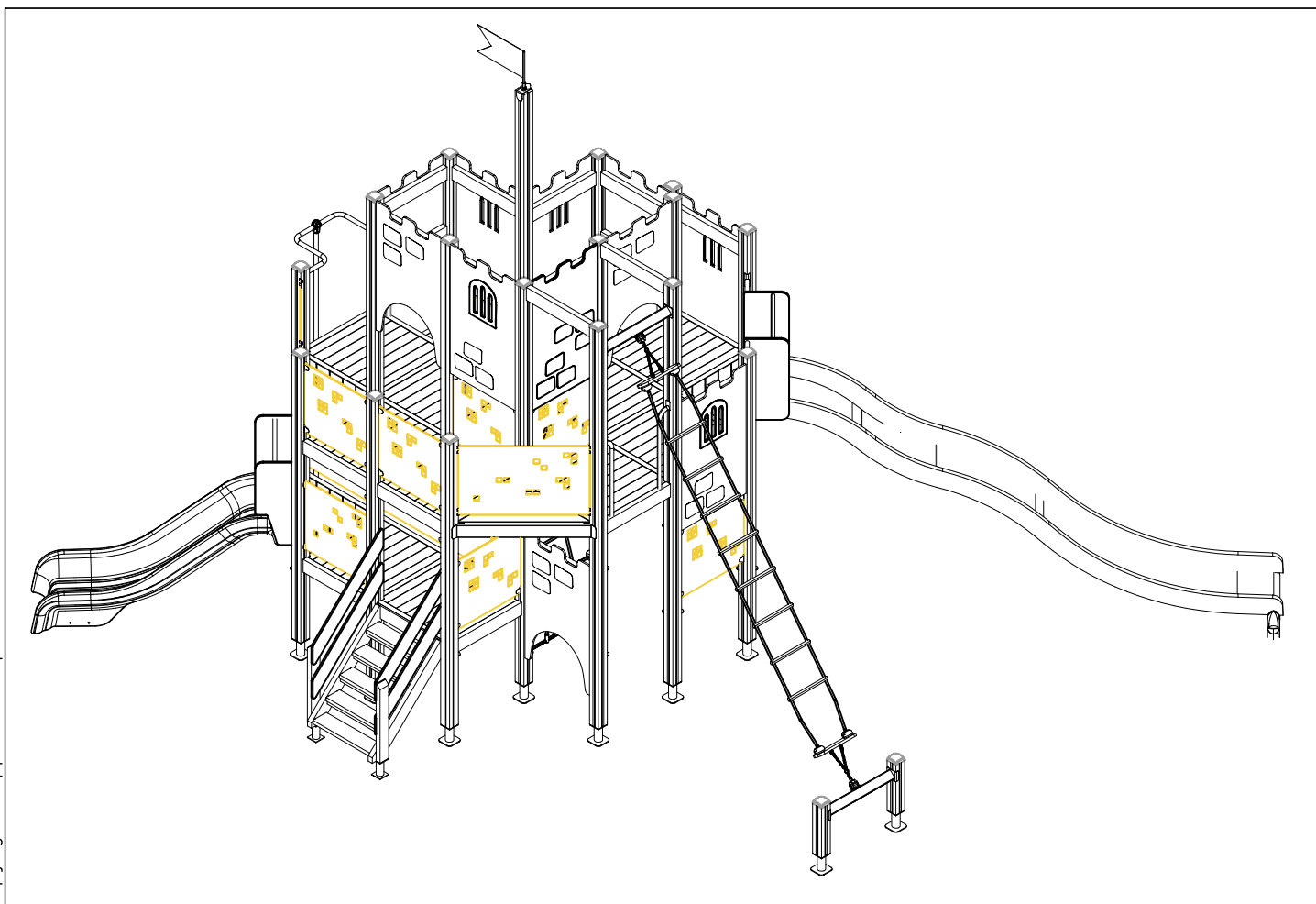
FINNO

ASENNUSOHJE
MONTERINGSANSVISNING
INSTALLATION INSTRUCTION
AUFBAUANLEITUNG
NOTICE D'INSTALLATION

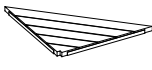
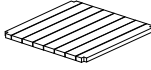
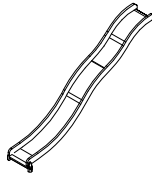
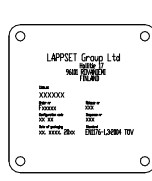
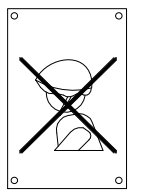
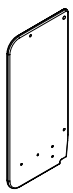
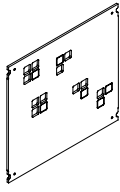
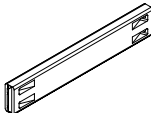

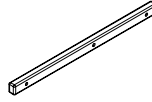
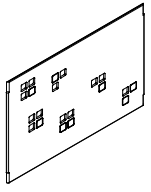
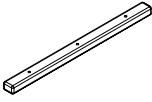
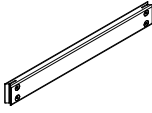
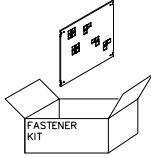
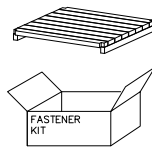
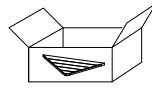
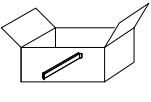
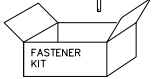
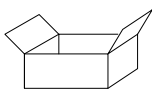
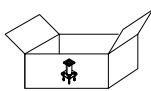
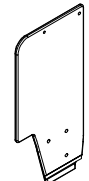

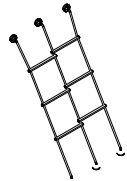
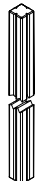
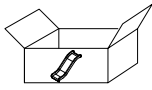
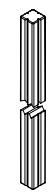
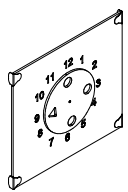
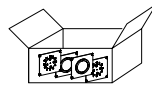

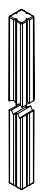
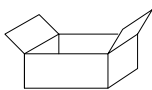
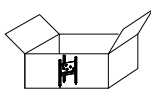
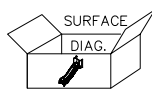
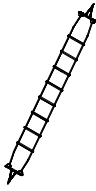

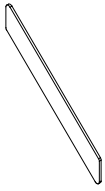

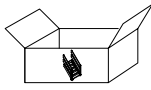
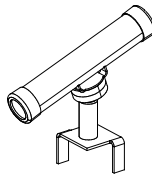

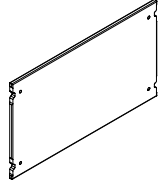
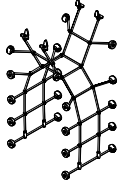
DATE: 15.8.2019

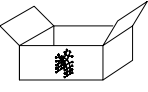
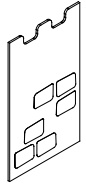
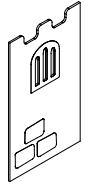
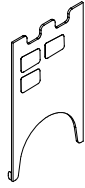
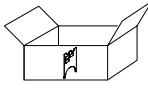
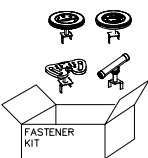
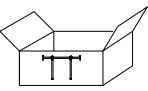
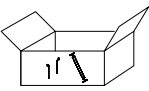
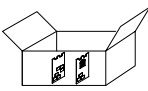
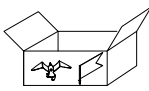
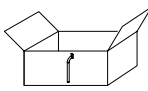
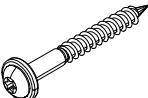
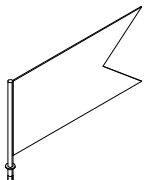
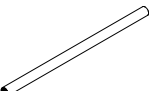


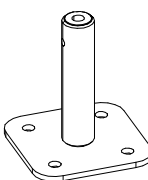
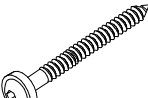
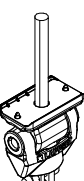
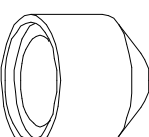
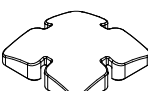
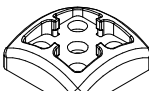
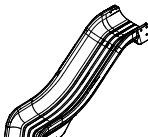
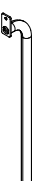

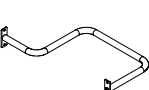


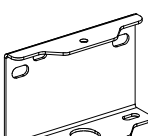

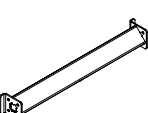
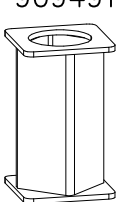
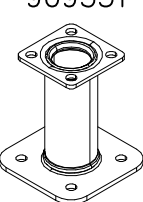

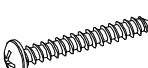
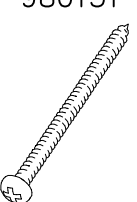
Q14100

Copyright Lappset Group Ltd



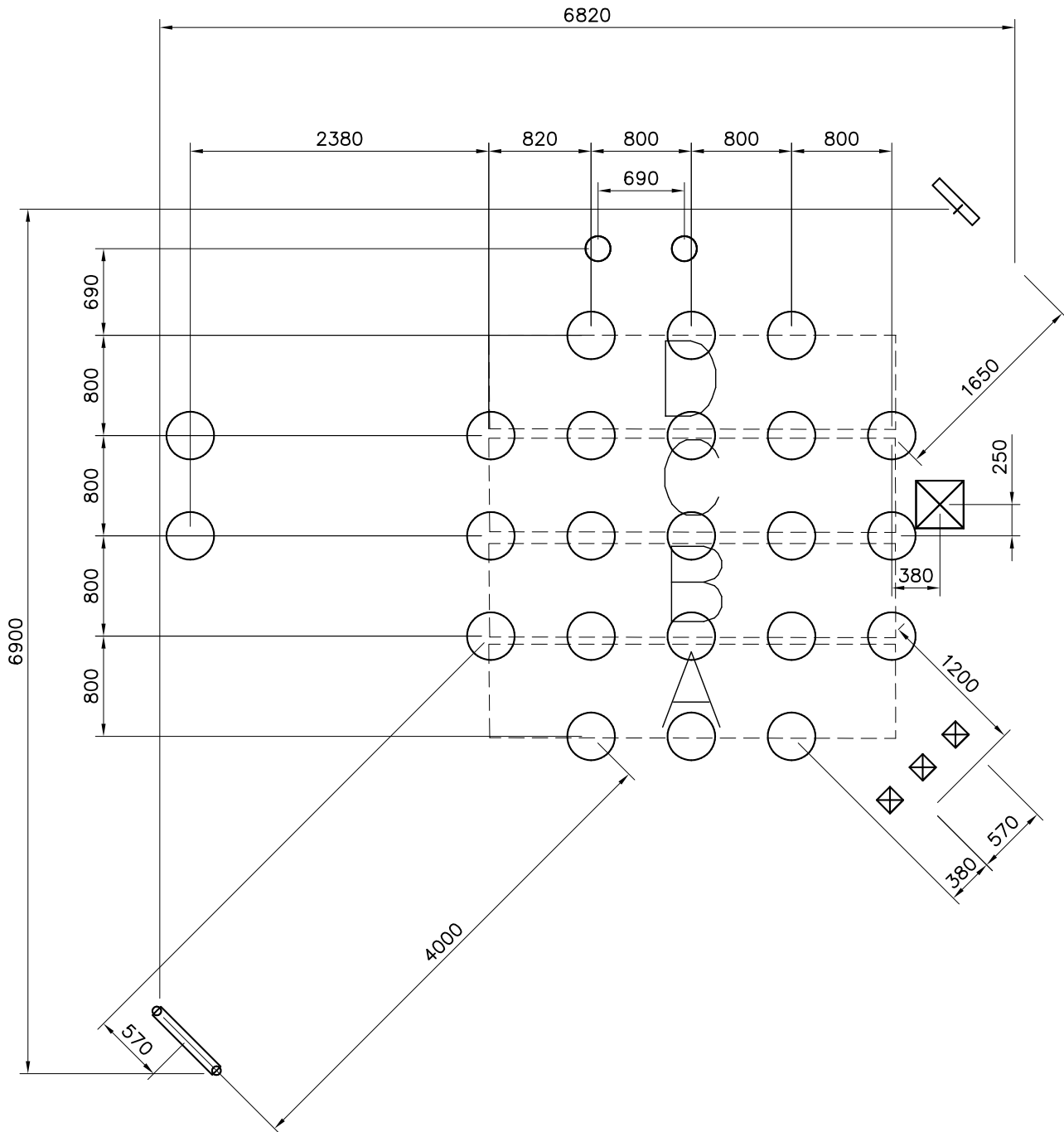
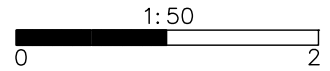
DATE: 15.8.2019

008985  32x714x714	PCS 5	008986  750x750	PCS 13	701448-604  600x2020x4010	PCS 1	702286  65x65	PCS 1	702339  118x78	PCS 1	706371-702  15x345x750	PCS 2
706436-702  10x640x702	PCS 13	706439-604  L 704	PCS 68	706441-604  93x93x1550	PCS 1	706443  32x45x702	PCS 26	706448-702  10x640x1003	PCS 4	706508  32x45x650	PCS 15
706510-604  45x120x1030	PCS 5	706534  FASTENER KIT	PCS 17	706535  FASTENER KIT	PCS 13	706537  FASTENER KIT	PCS 5	706538  FASTENER KIT	PCS 5	706541  FASTENER KIT	PCS 1
706549 	PCS 1	706551 	PCS 23	706560-702  15x765x370	PCS 1	706561-702  15x765x370	PCS 1	706566-305 	PCS 1	706568-604  93x93x3000	PCS 3
706606 	PCS 1	706664-604  93x93x2540	PCS 2	706772-702 	PCS 1	706778 	PCS 1	706788-604  93x93x3700	PCS 9	706810-604  93x93x2650	PCS 7
706830 	PCS 1	706878 	PCS 4	706987  SURFACE DIAG. SLIDE 80MD	PCS 1	707113-305 	PCS 1	707145-604  43x93x717	PCS 2	707146-702  15x145x1153	PCS 4
707191-604  +870	PCS 1	707224 	PCS 1	707304 	PCS 1	707331-604  93x93x470	PCS 2	707340  15x300x702	PCS 4	707341-305  1520x705	PCS 1

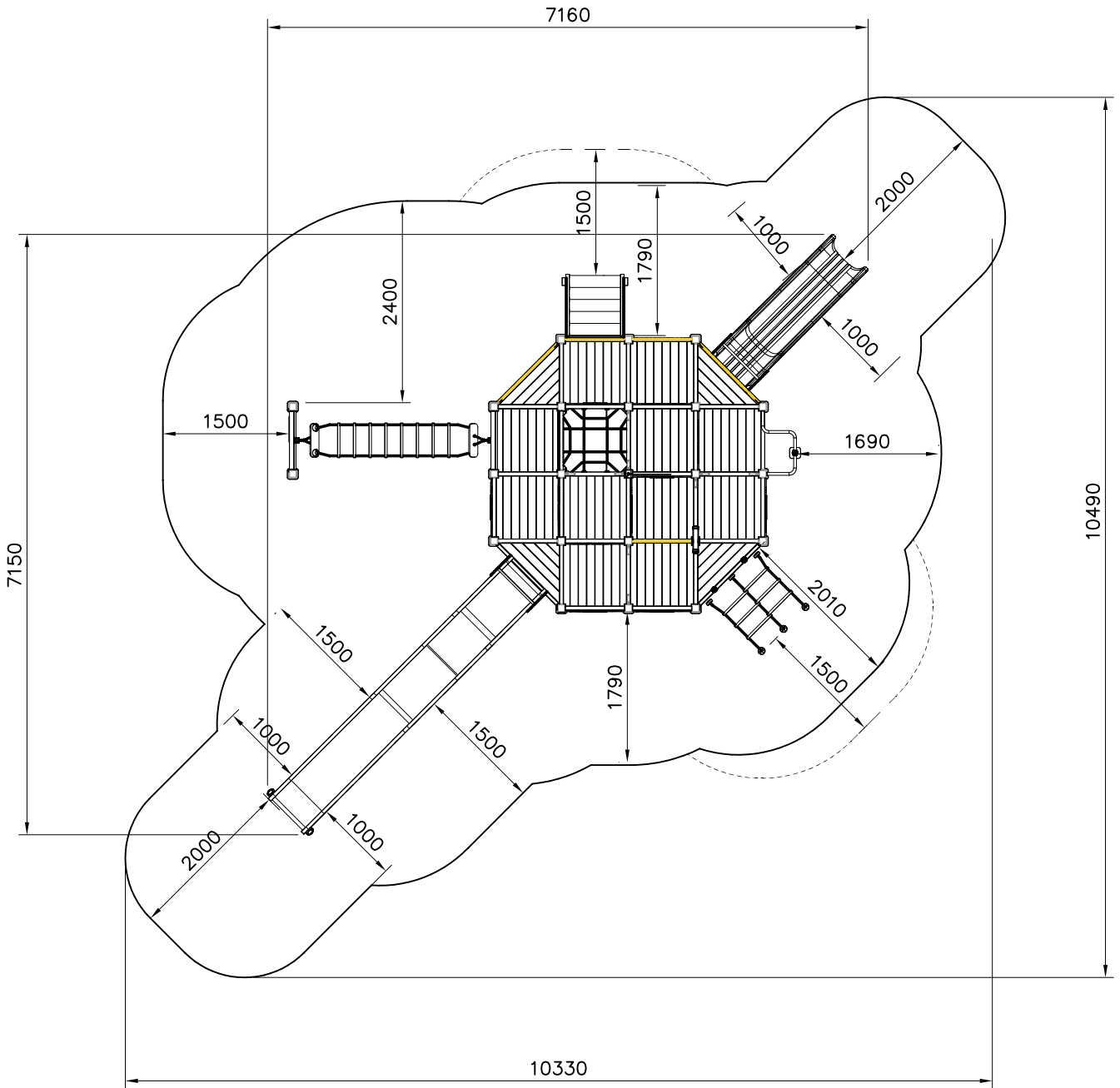
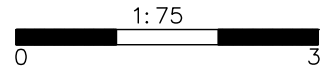
707349  1	PCS 1	707462-610  15x1200x702	PCS 1	707463-610  15x1200x702	PCS 7	707464-610  15x1200x702	PCS 5	707470  5	PCS 5	707585  FASTENER KIT 1	PCS 1
707625  1	PCS 1	707652  1	PCS 1	707662  8	PCS 8	707693  1	PCS 1	707732  10	PCS 10	900240  Ø8x70 4	PCS 4
900793-206  1	PCS 1	901868  Ø30x598 2	PCS 2	901879  2	PCS 2	901902  30.7x60.9x100 2	PCS 2	901920  150x130x130 1	PCS 1	903093  Ø8x90 272	PCS 272
904904  2	PCS 2	905104  M10 8	PCS 8	905138  GRAY 21	PCS 21	905196  GRAY 21	PCS 21	905833  +870 1	PCS 1	907688-216  40x765x114 12	PCS 12
907692-216  4	PCS 4	907695-216  1	PCS 1	907817-216  L 2554 1	PCS 1	907920-216  120x40x1029 1	PCS 1	908021  3x212x214 2	PCS 2	908044-216  Ø33,7x679 2	PCS 2
908226-216  90x96,5x704	PCS 2	909491  L 150 1	PCS 1	909531  130x130x150 25	PCS 25	909628  M10x100 8	PCS 8	980114  Ø4x20 8	PCS 8	980131  Ø6x60 84	PCS 84
	PCS		PCS		PCS		PCS		PCS		PCS

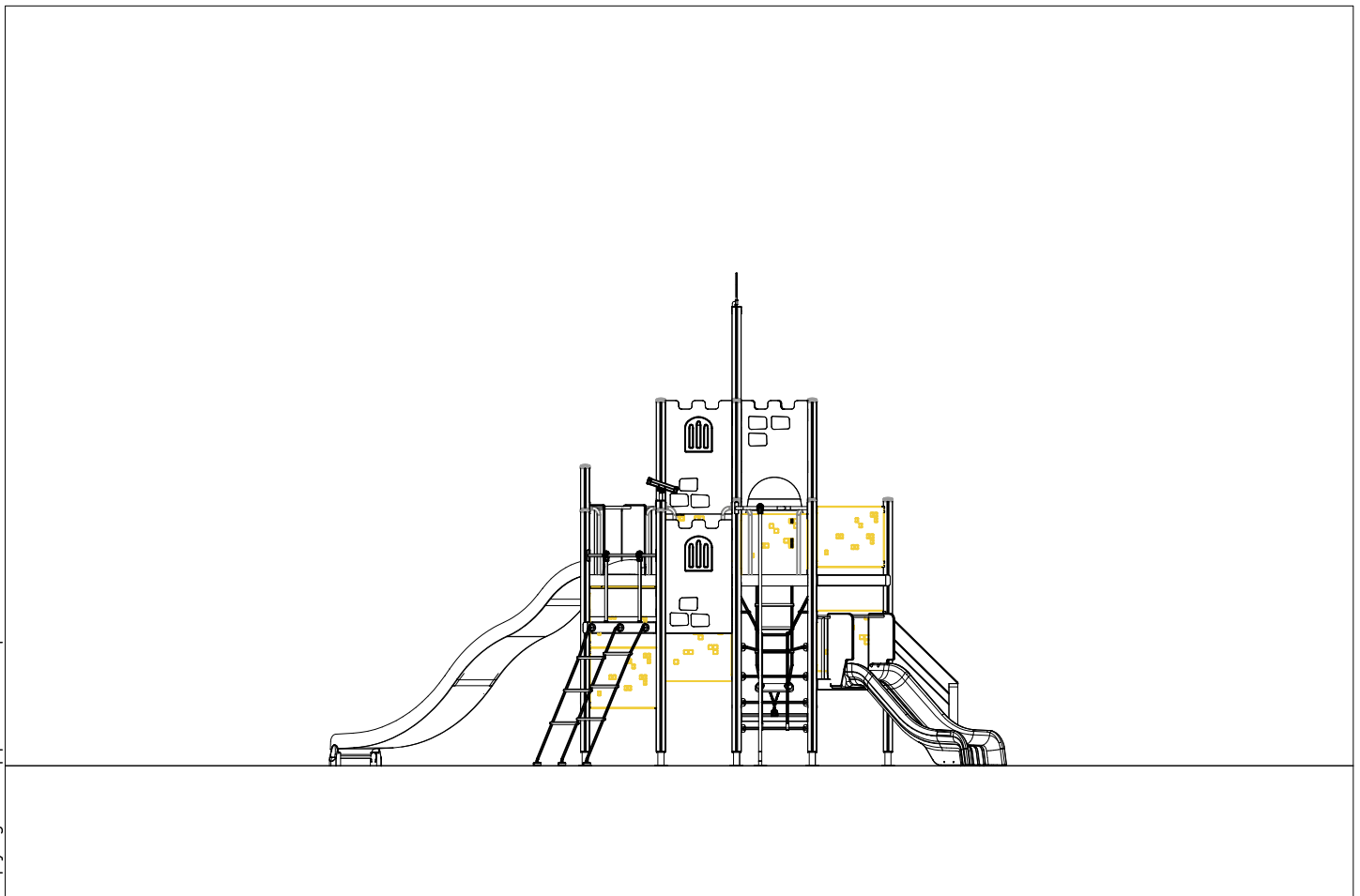
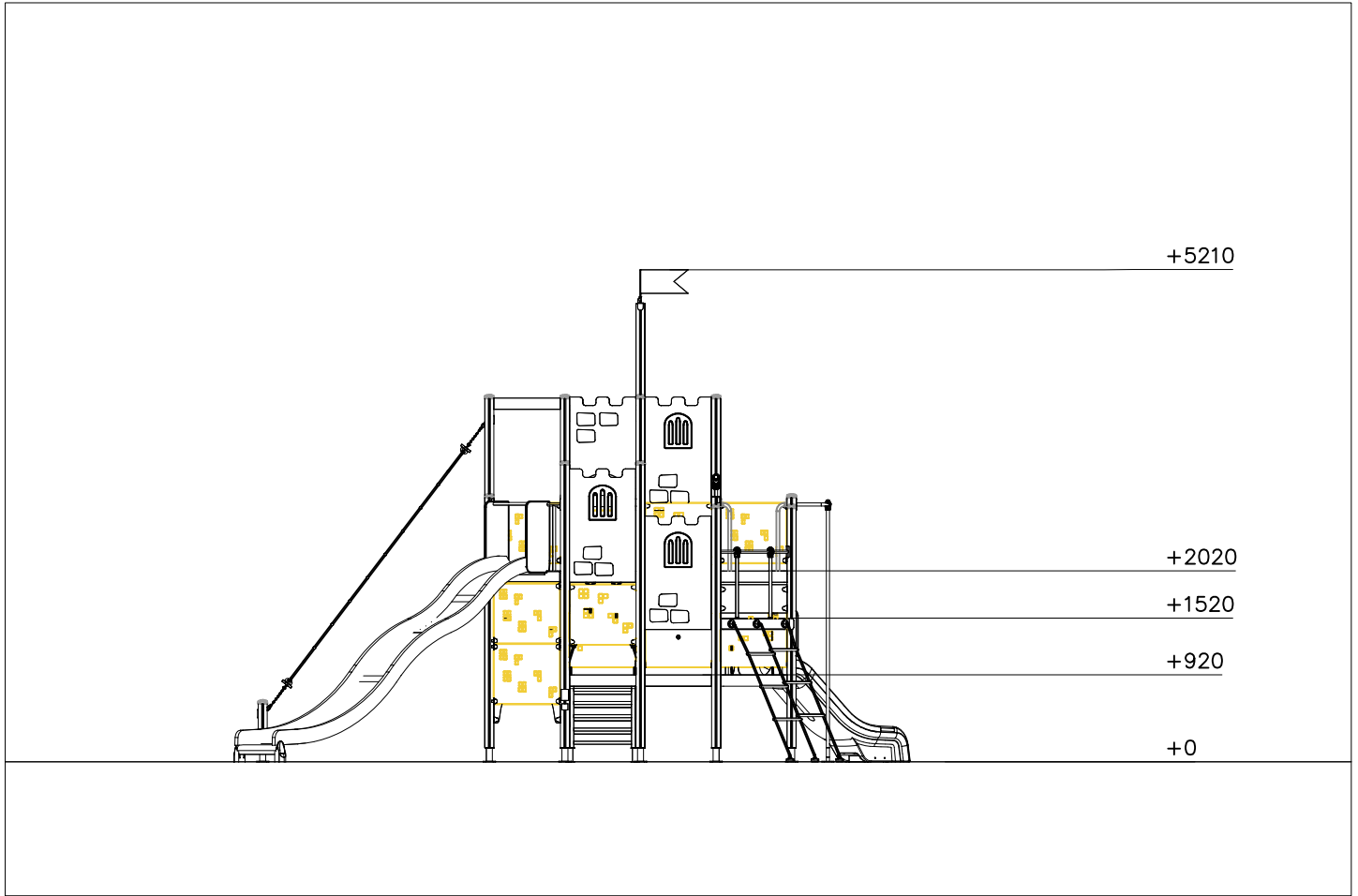
EN/AS Impact Area 67.6 m²

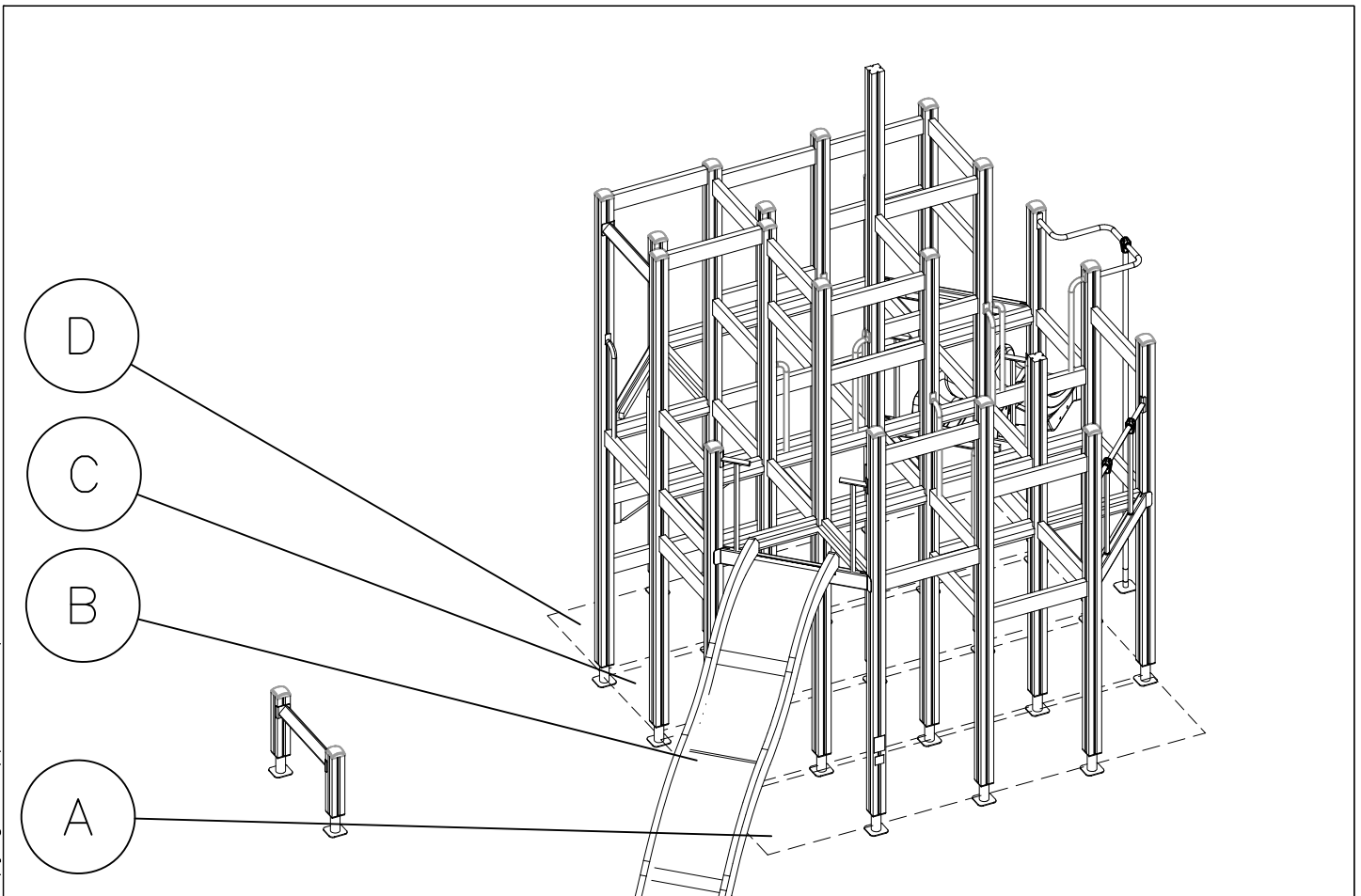
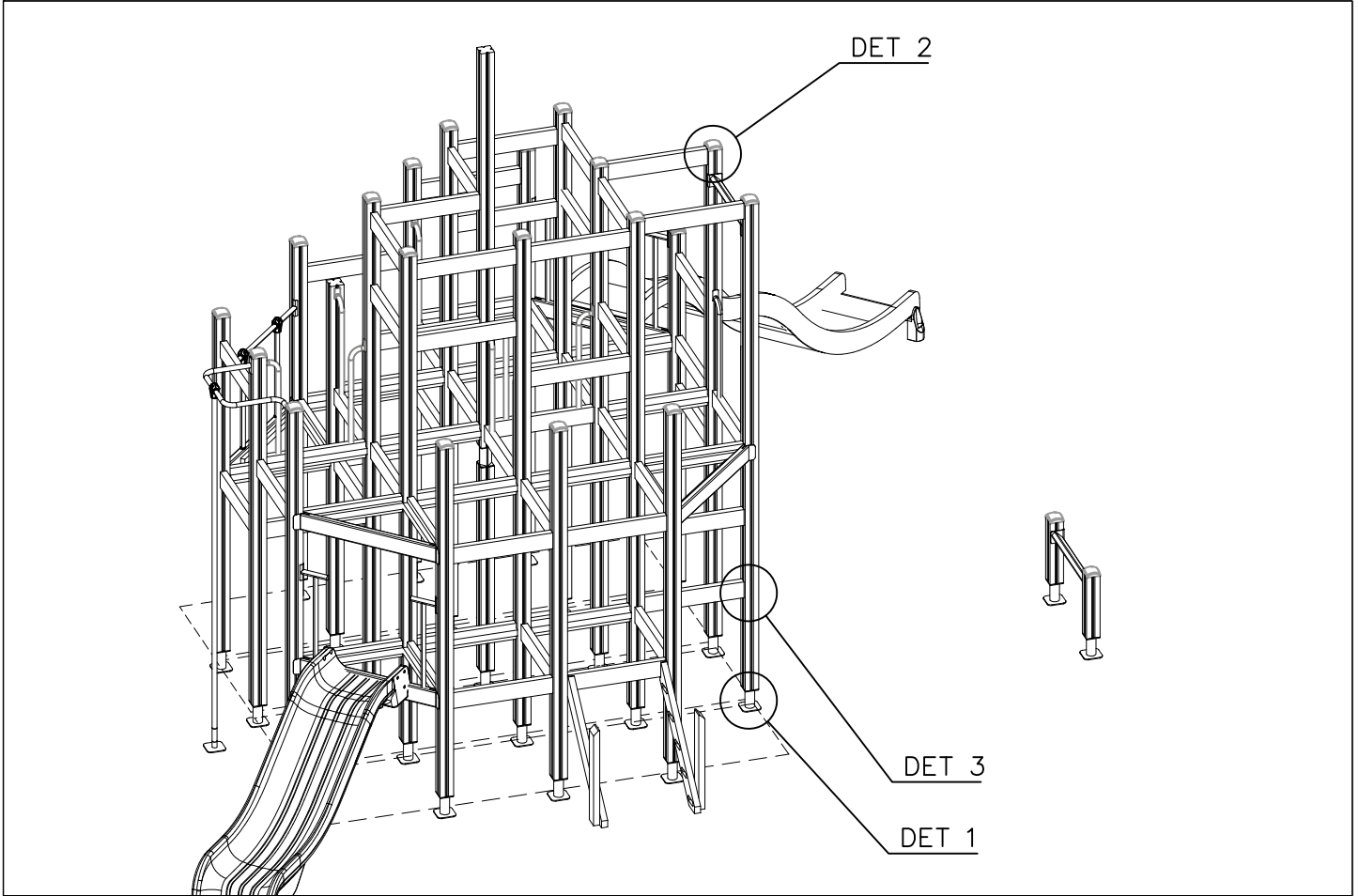
Grid size = 1000 mm

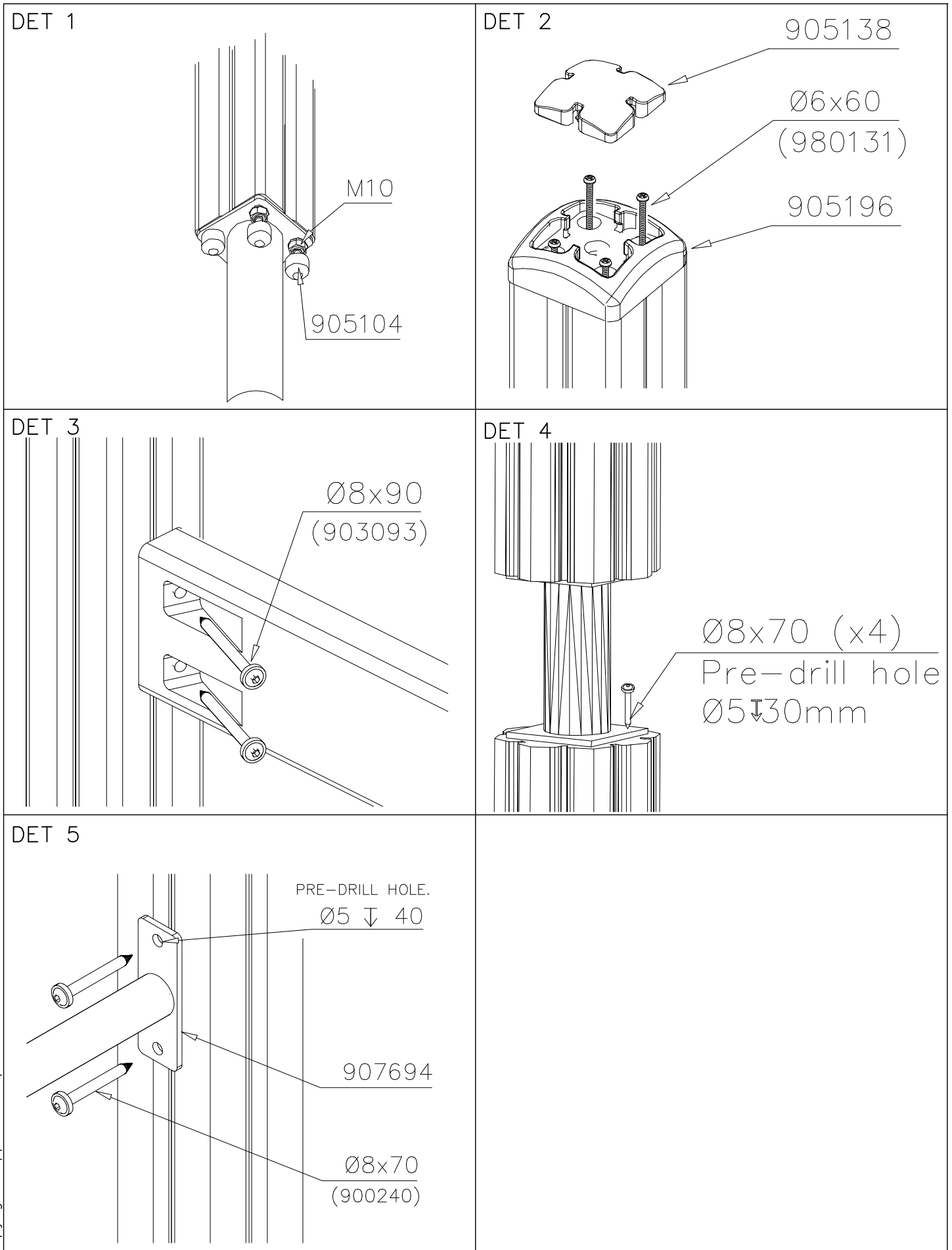


- EN/AS Impact Area 67.6 m²
- - - - Falling Space 70 m²
- Max Falling Height 2950 mm

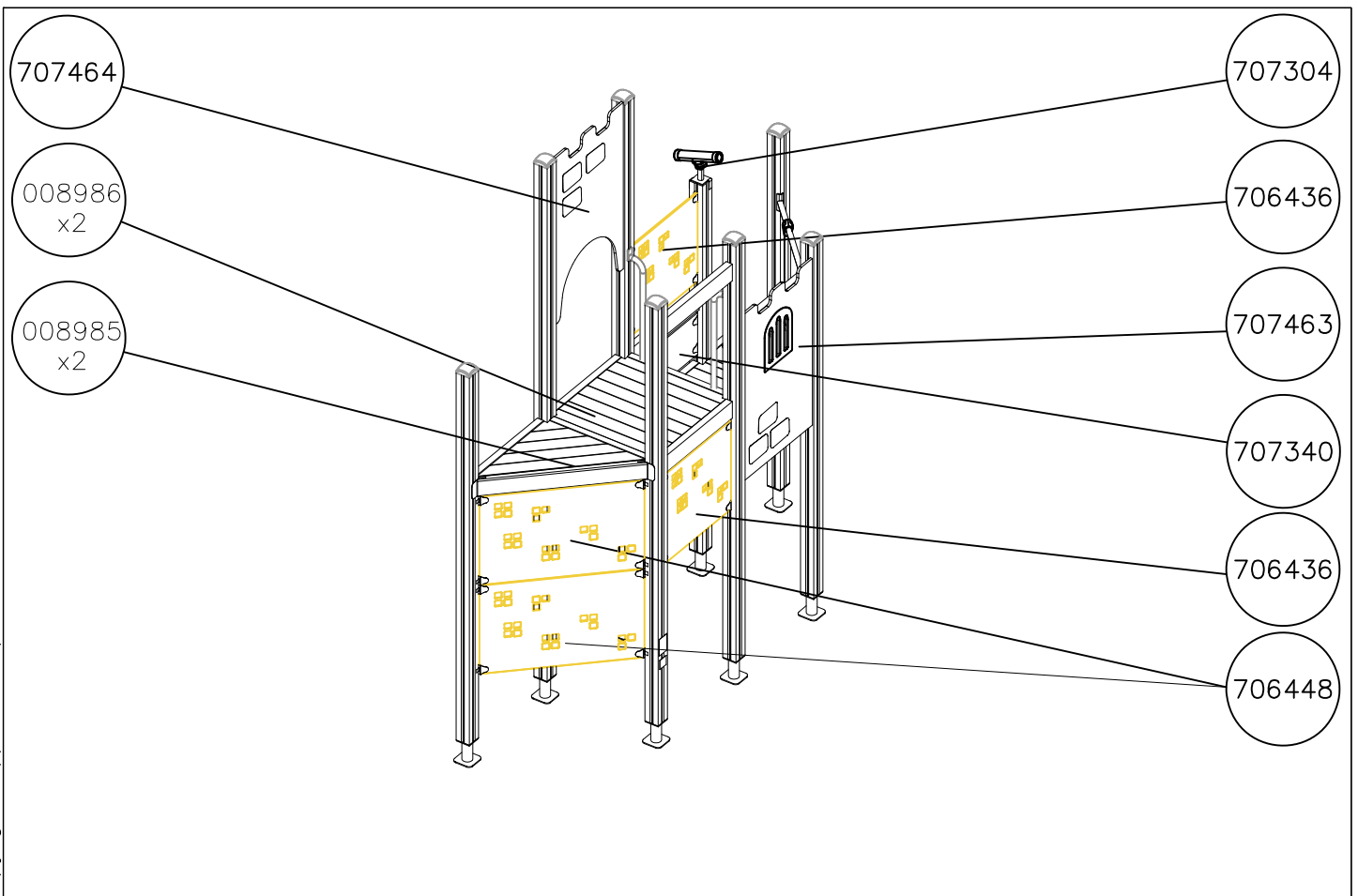
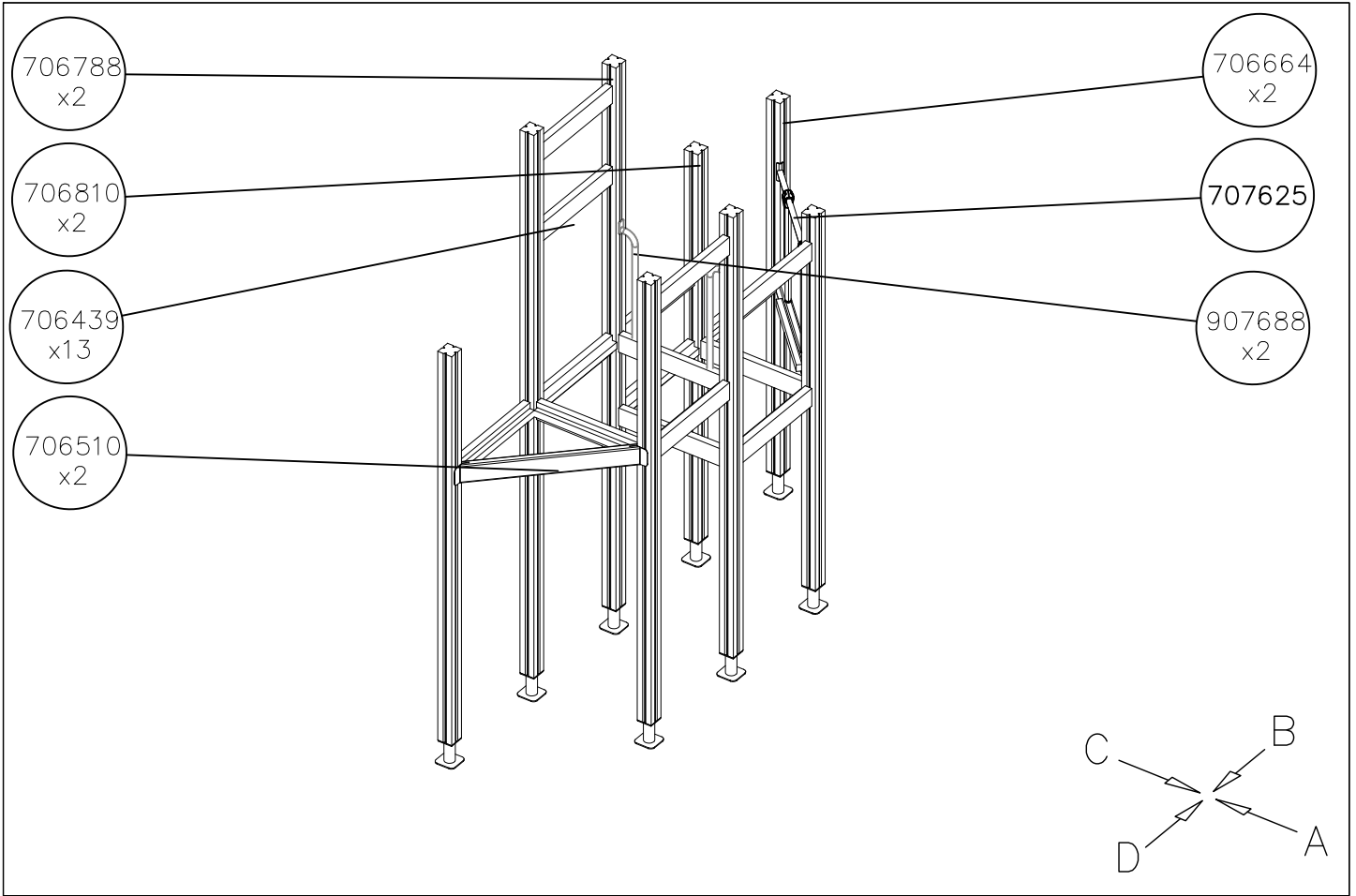








DATE: 15.8.2019

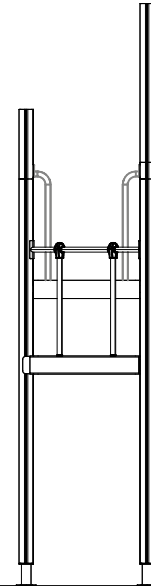
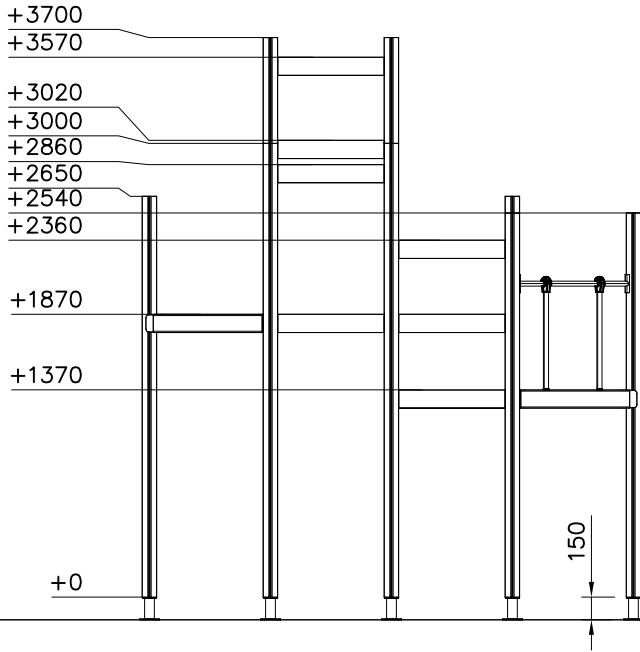


DATE: 15.8.2019

1:50

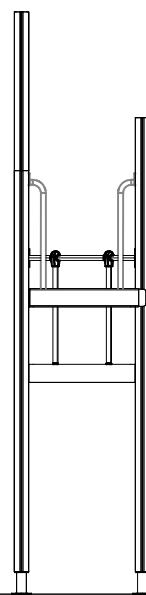
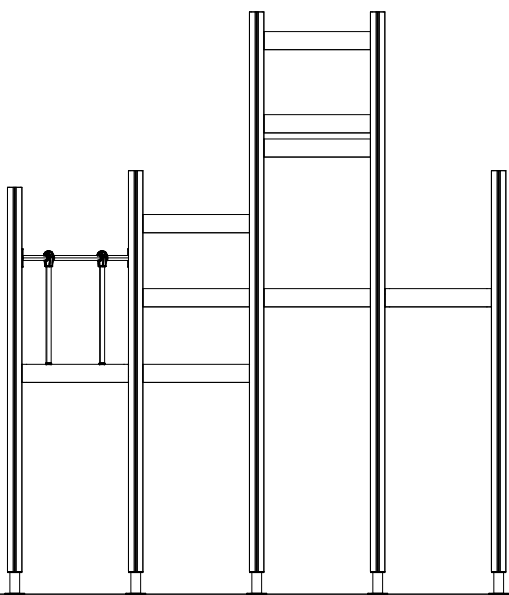
(A)

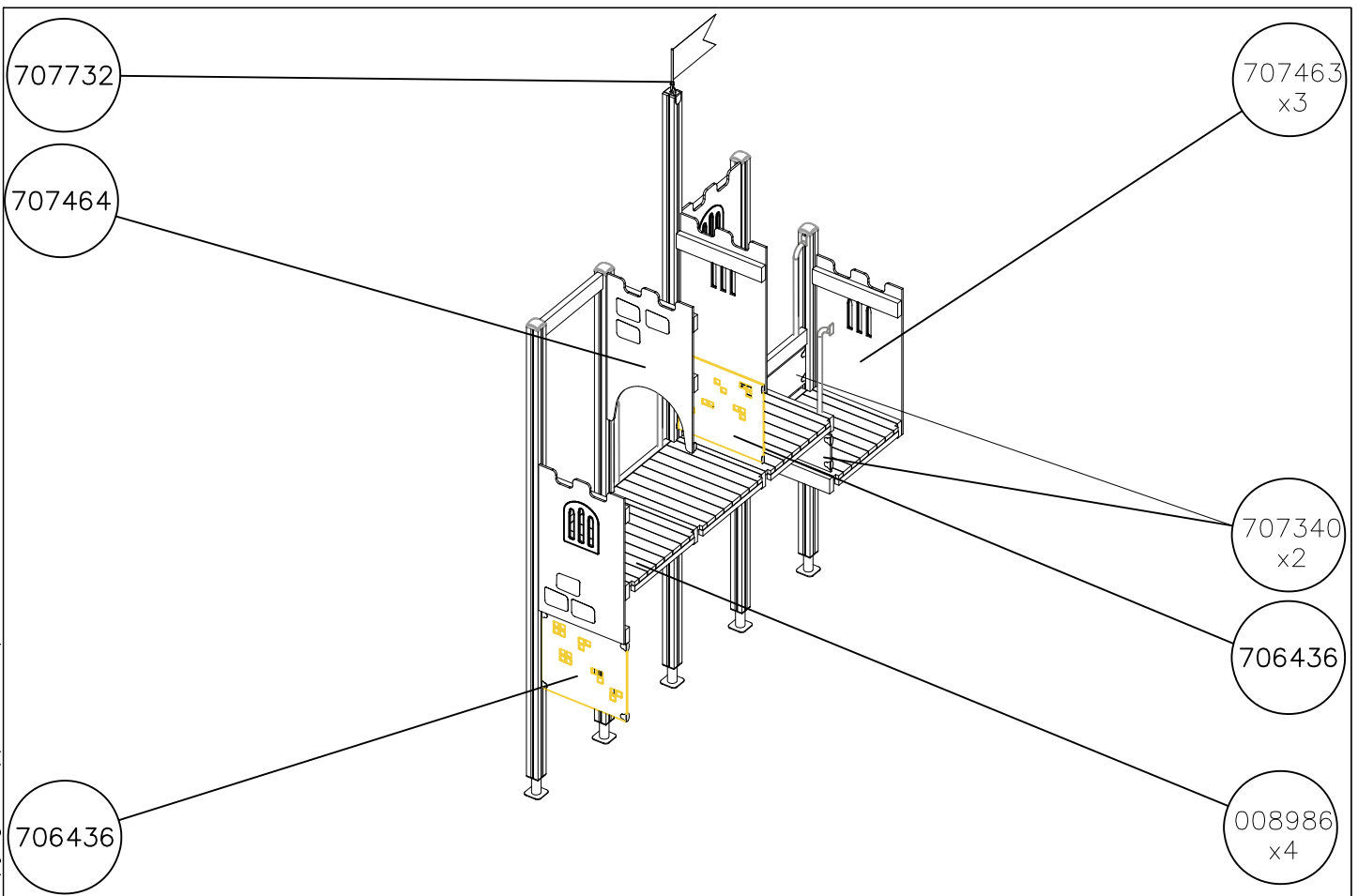
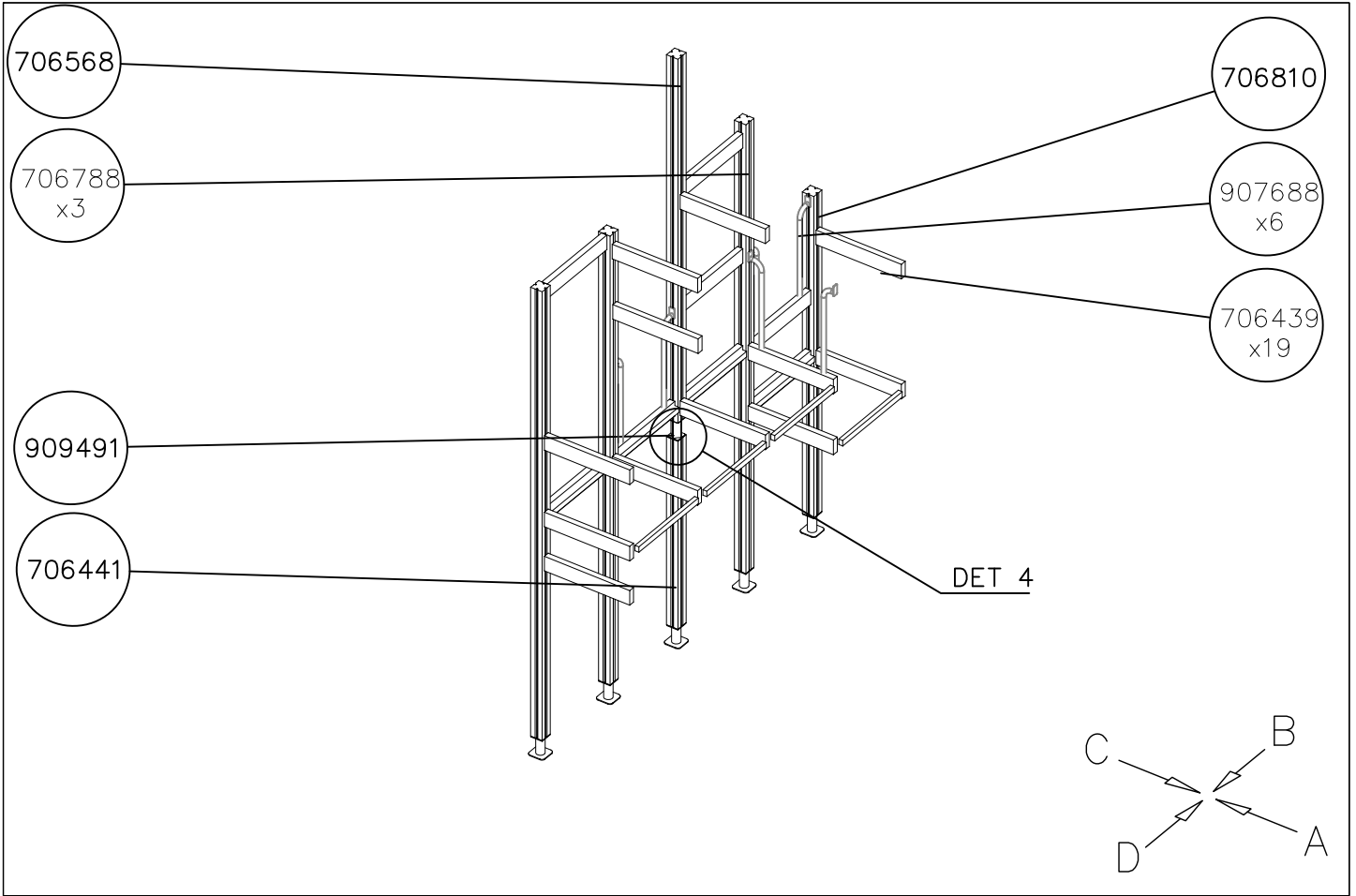
(B)



(C)

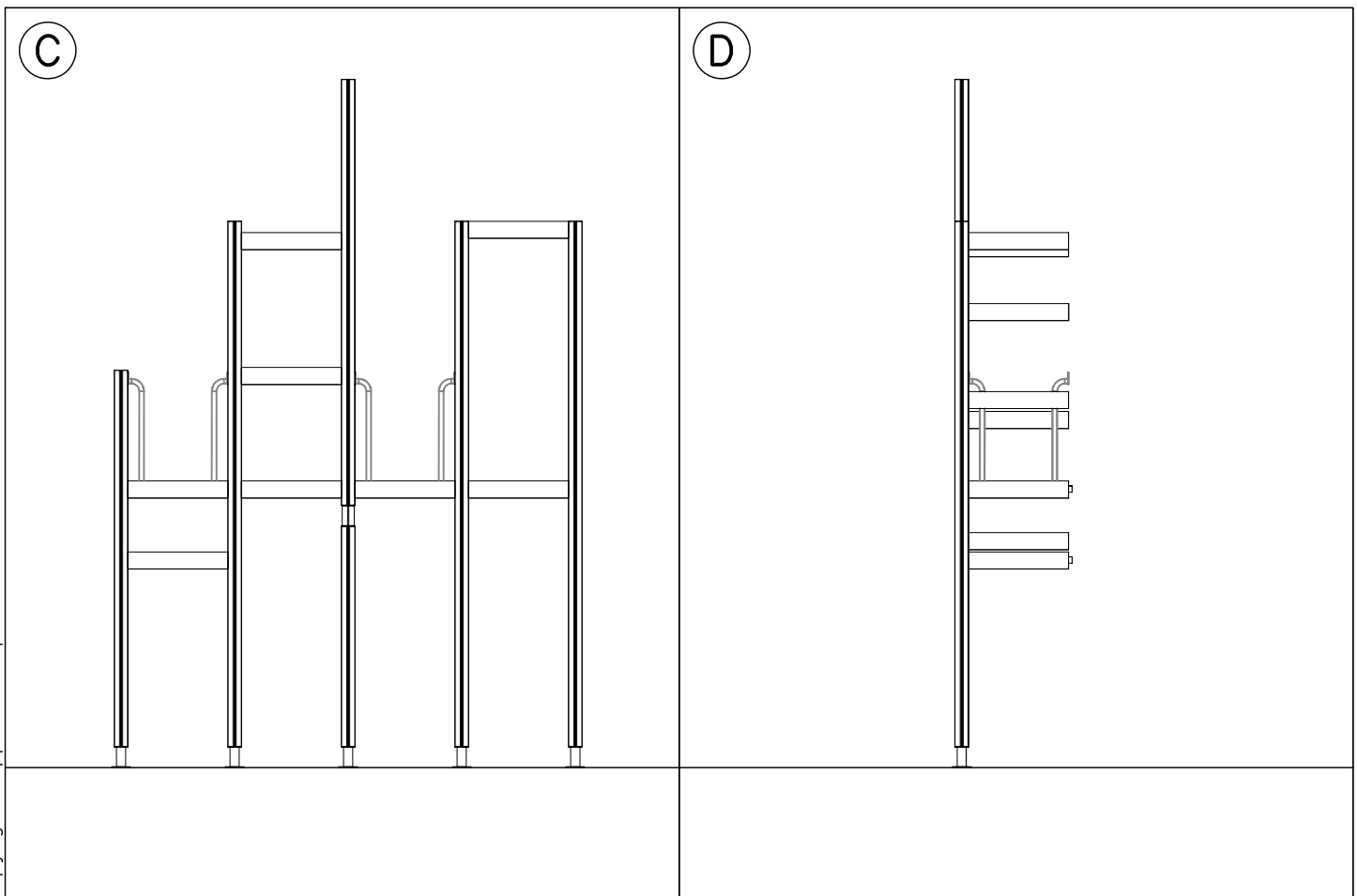
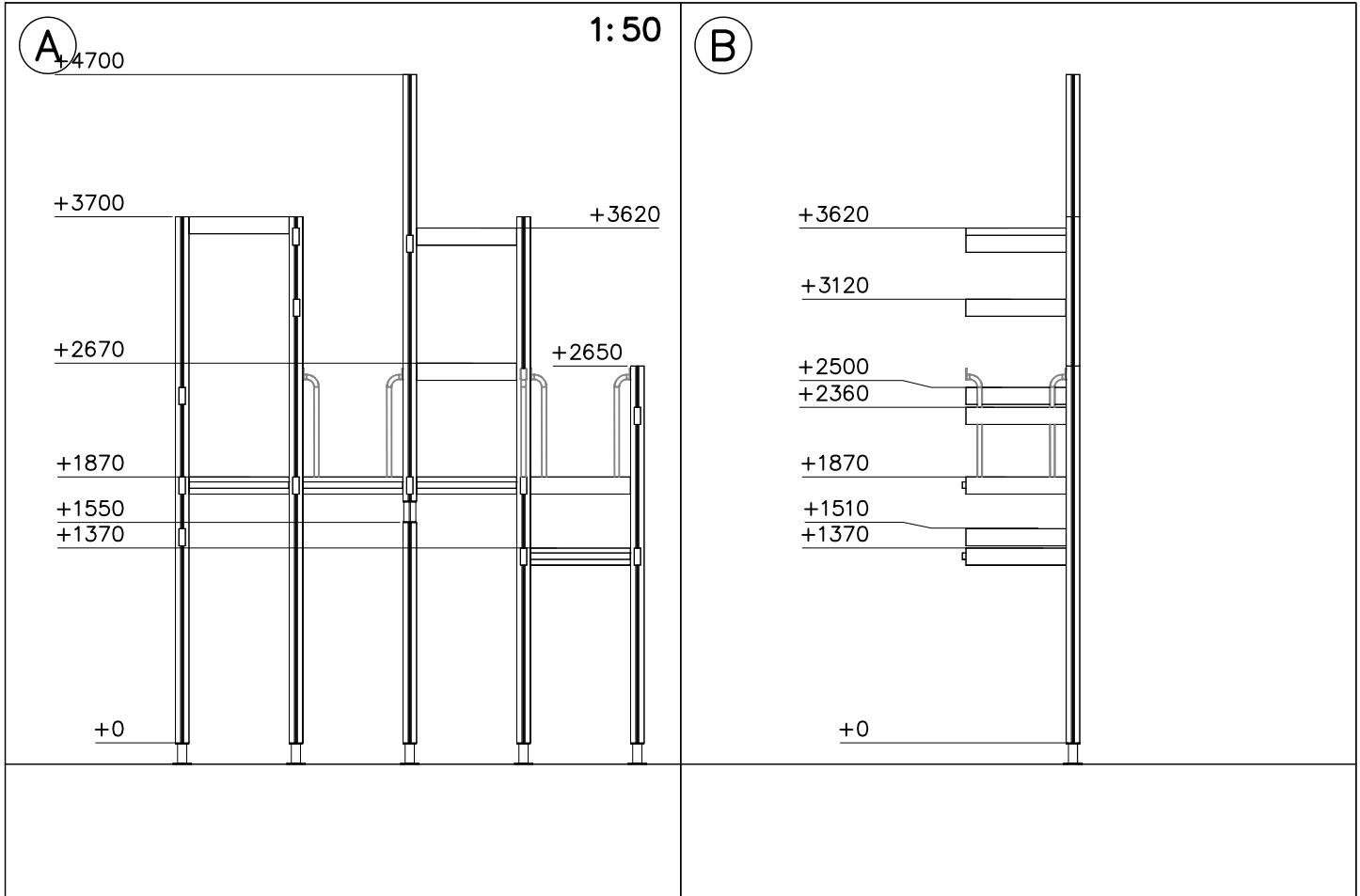
(D)

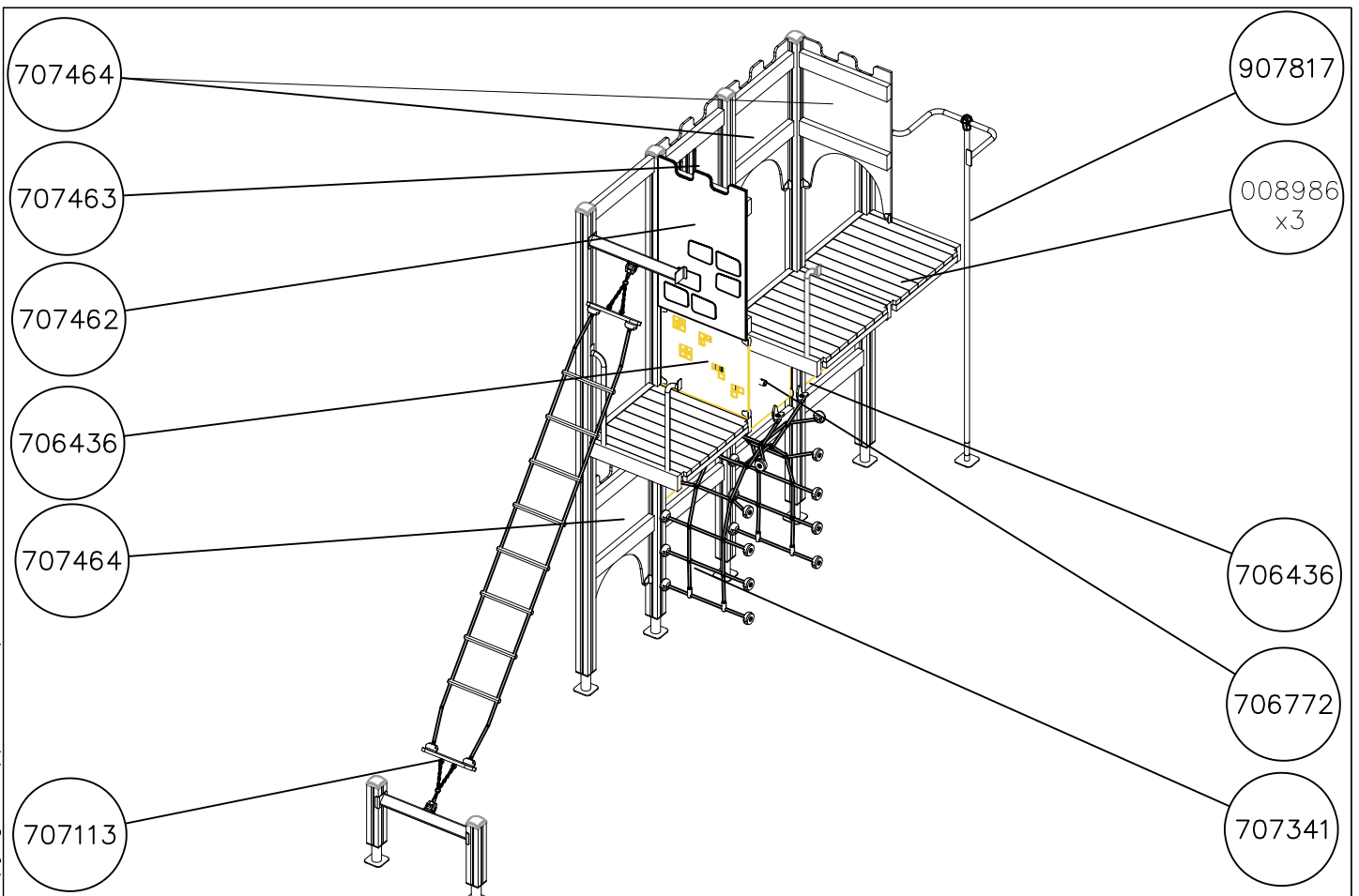
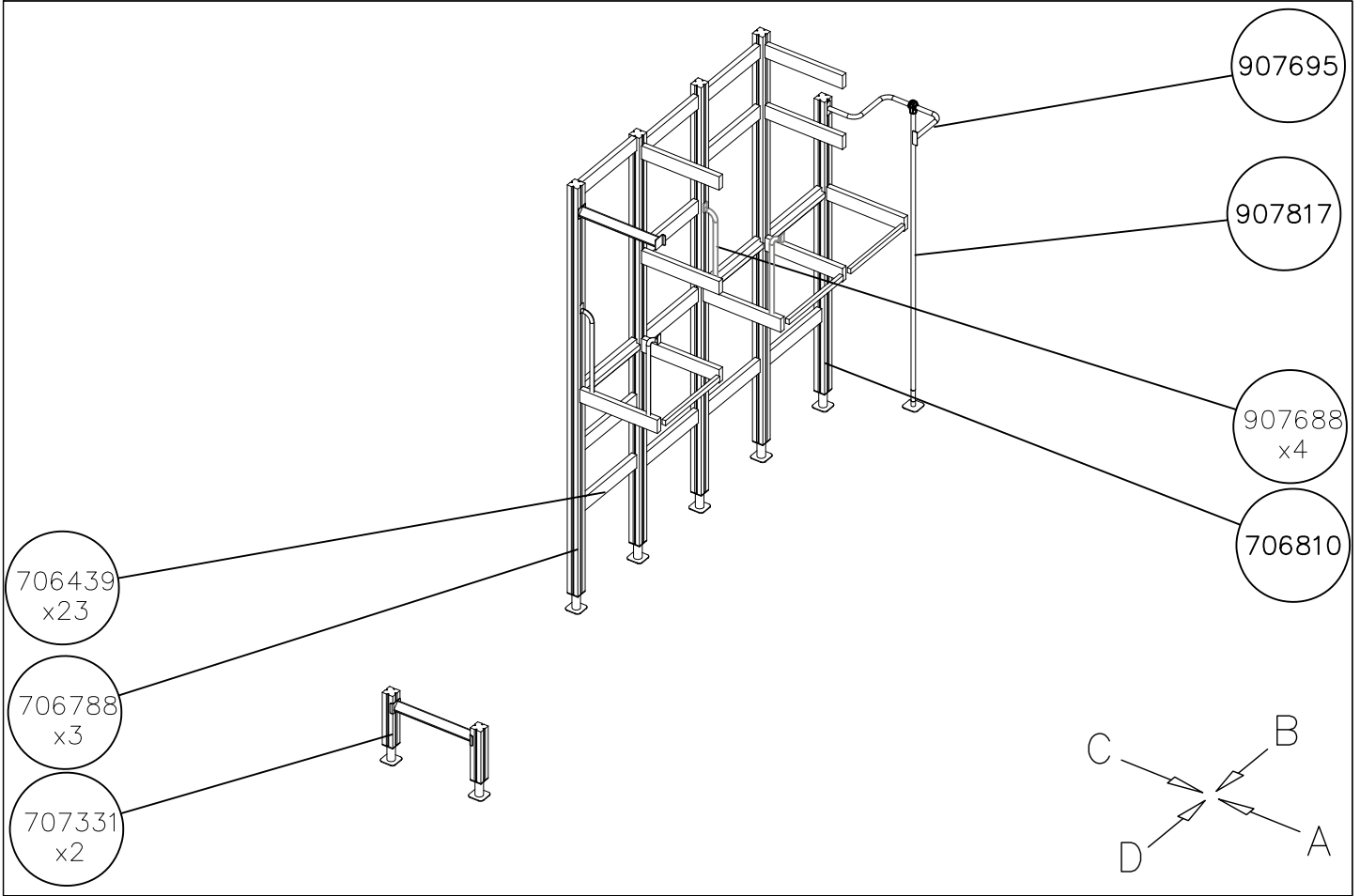




DATE: 15.8.2019

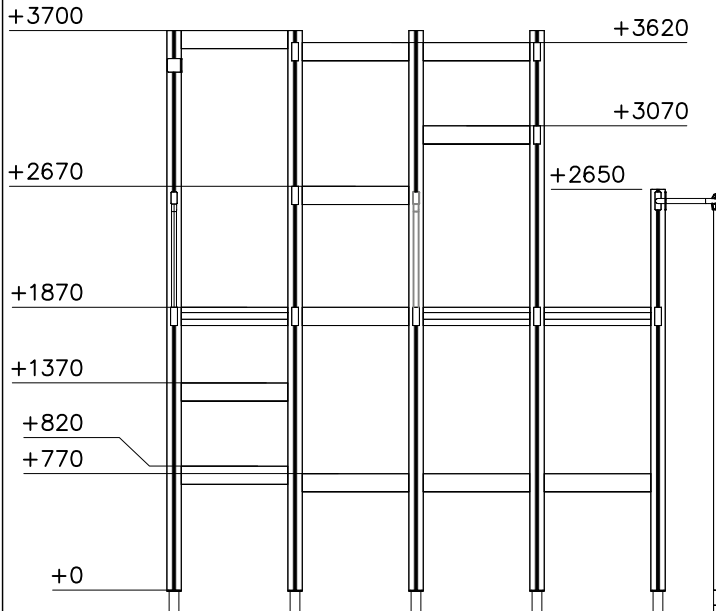
1:50



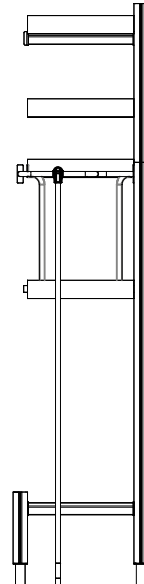


1:50

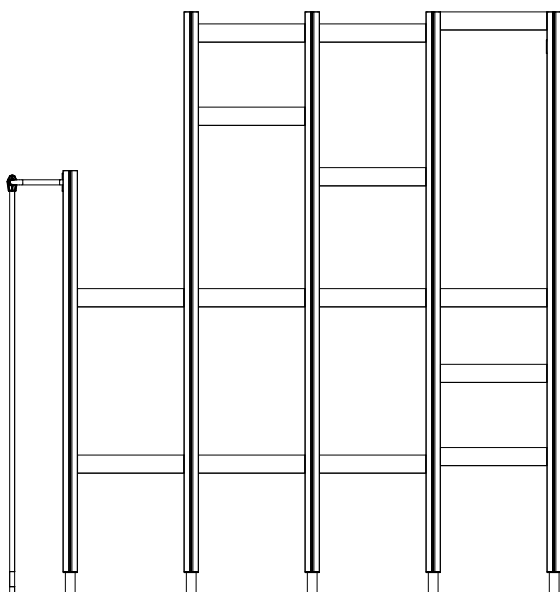
(A)



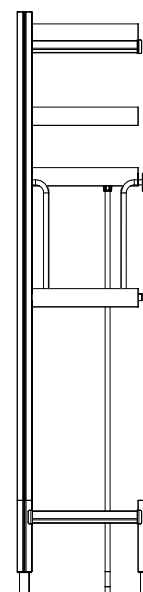
(B)

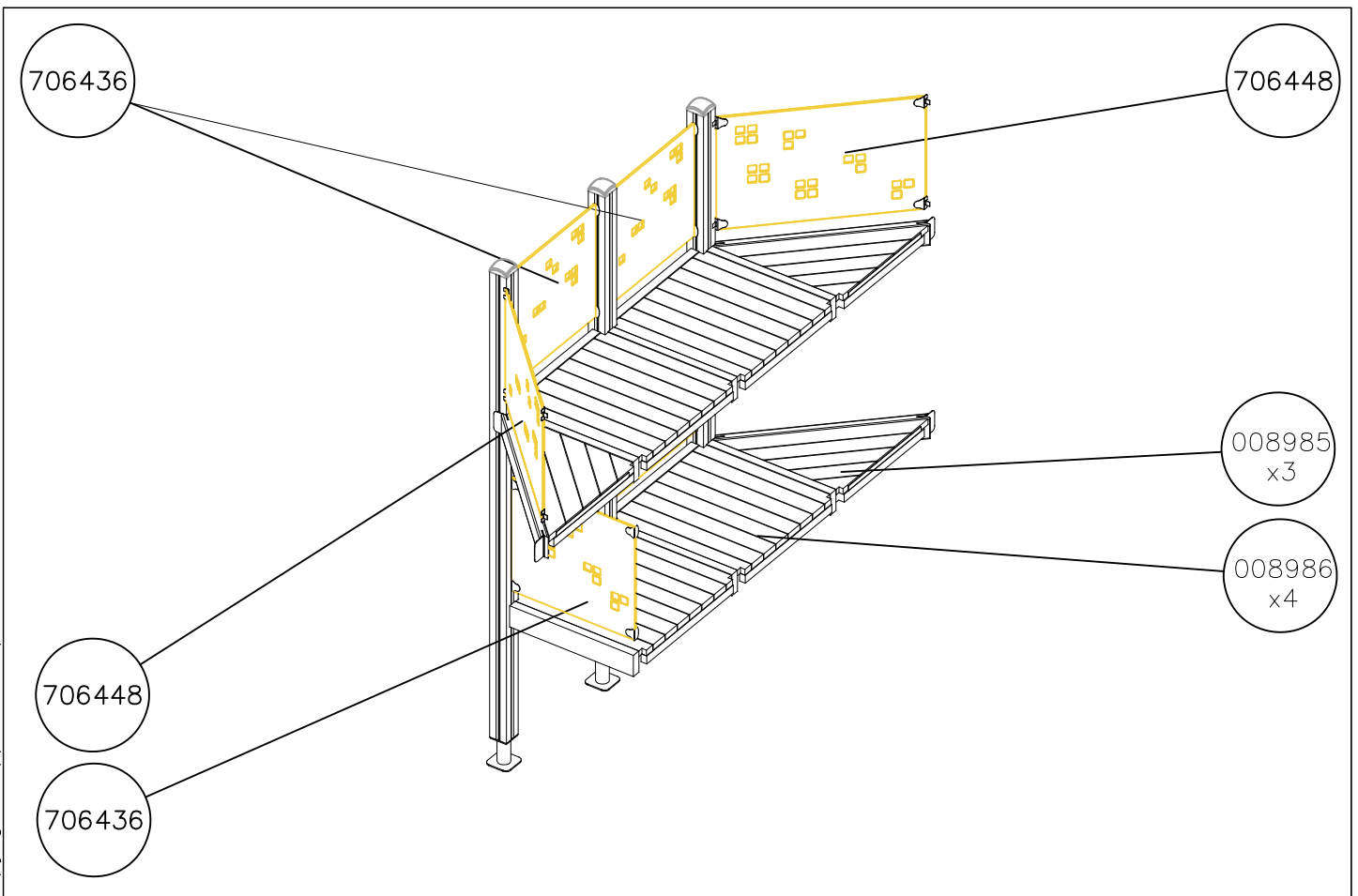
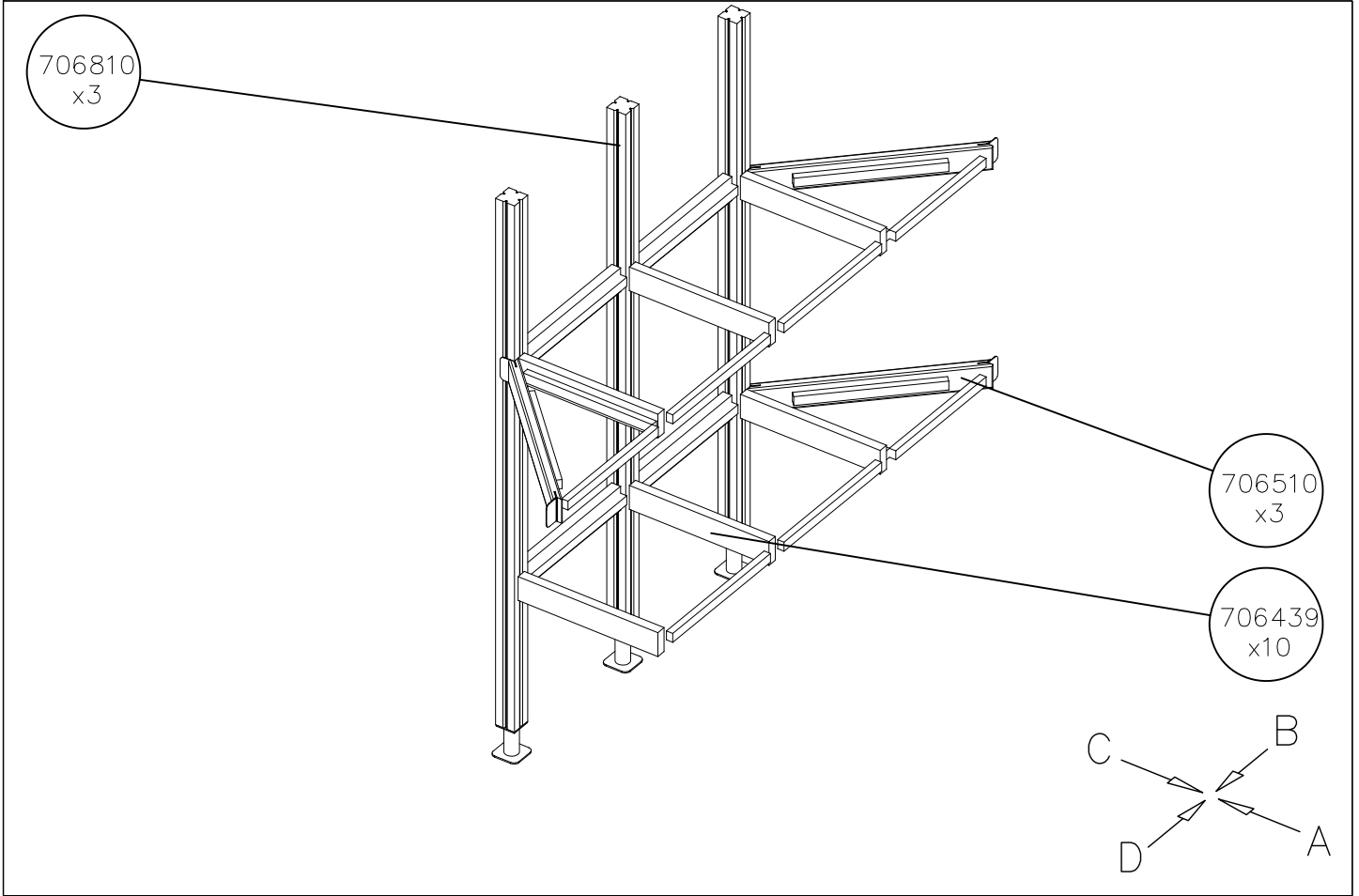


(C)



(D)

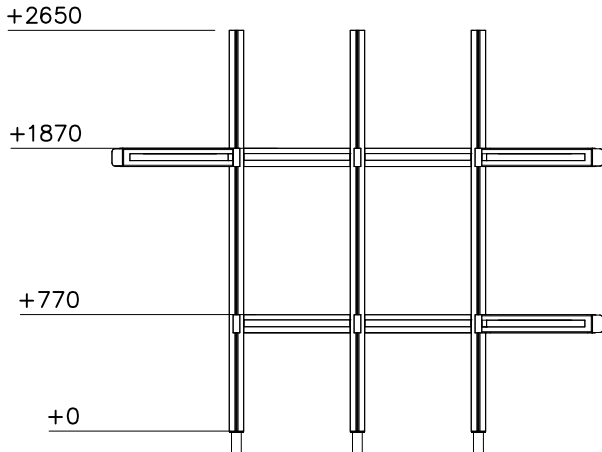




DATE: 15.8.2019

1:50

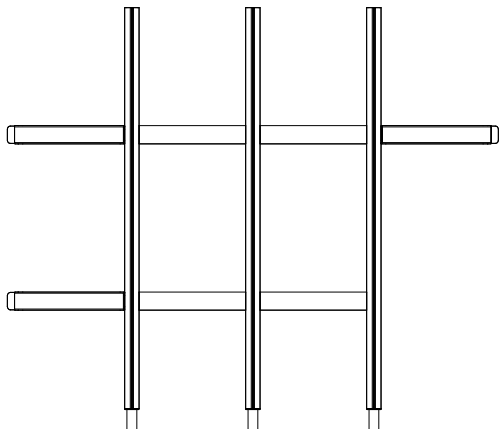
(A)



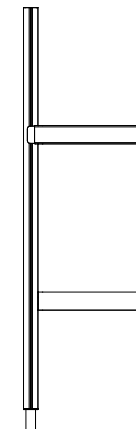
(B)

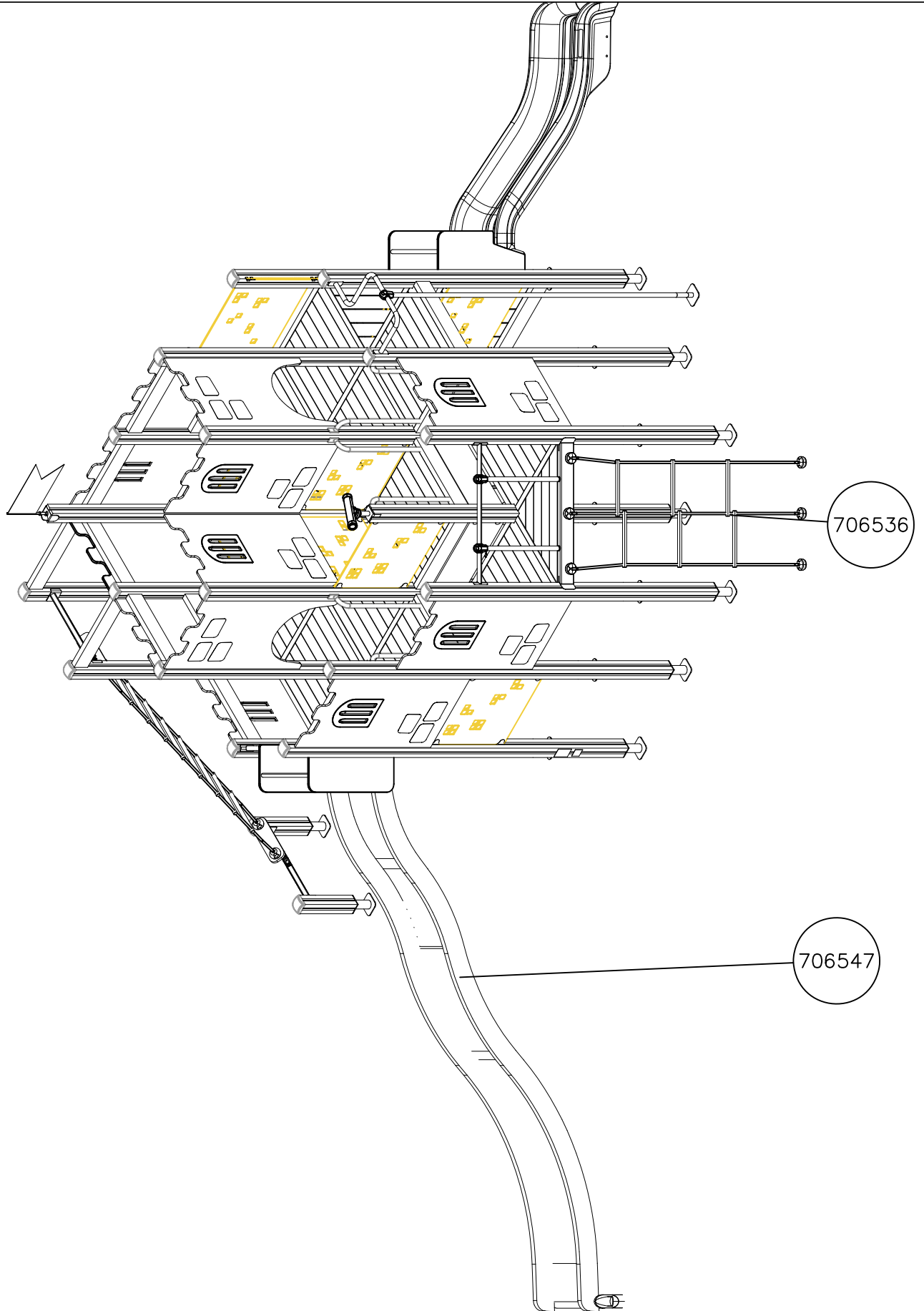


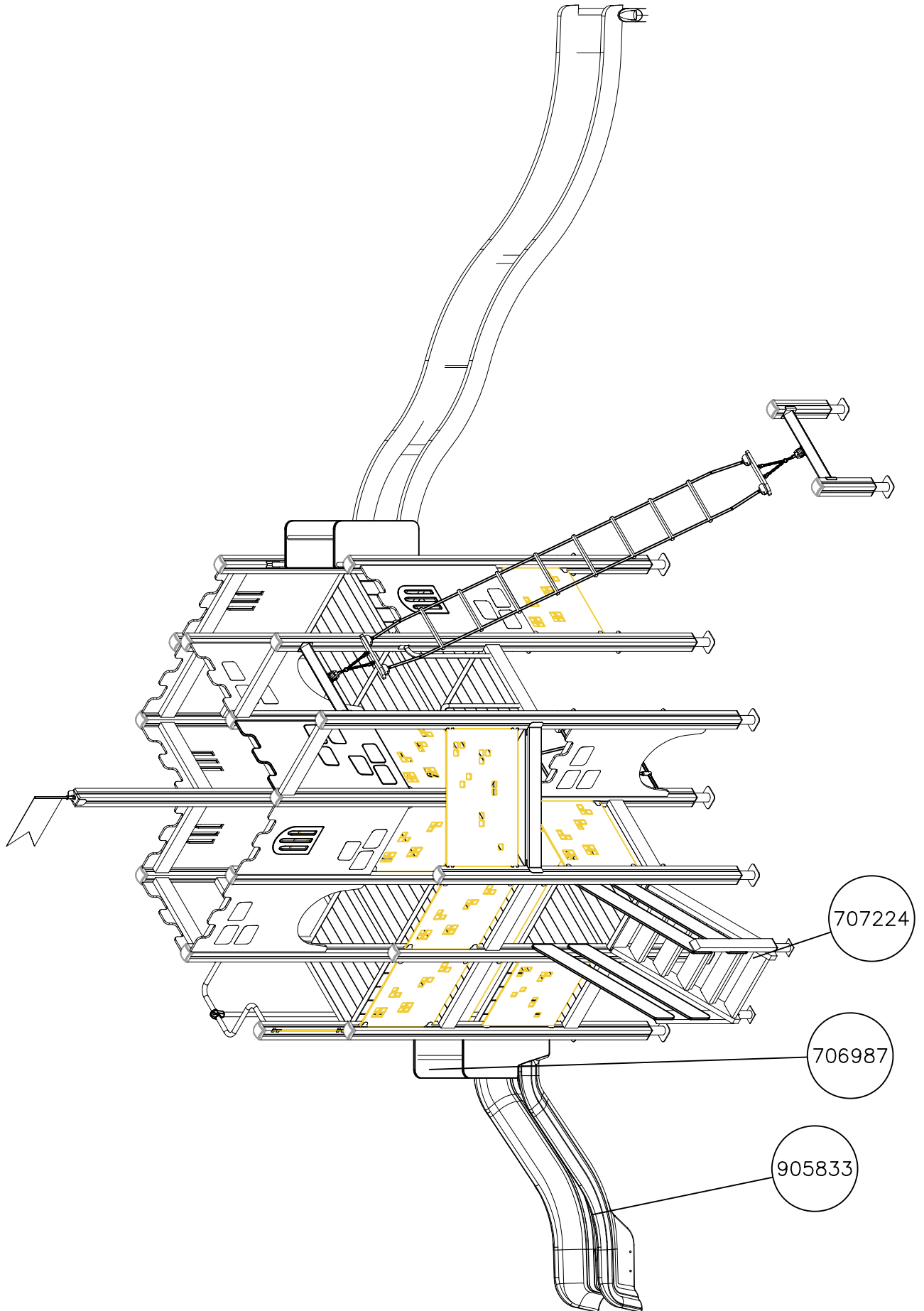
(C)

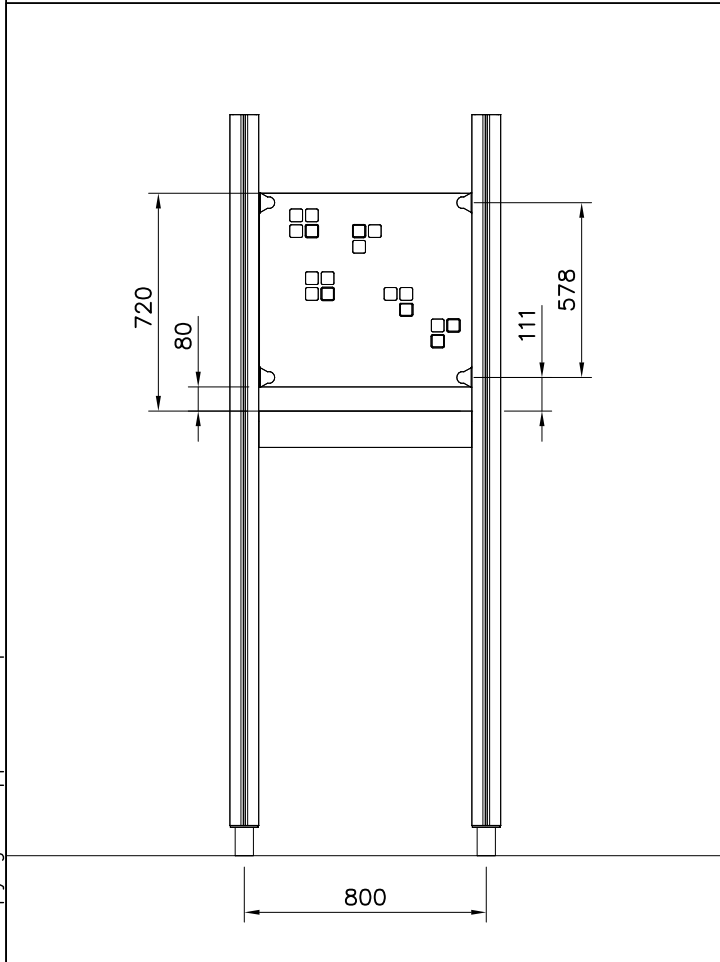
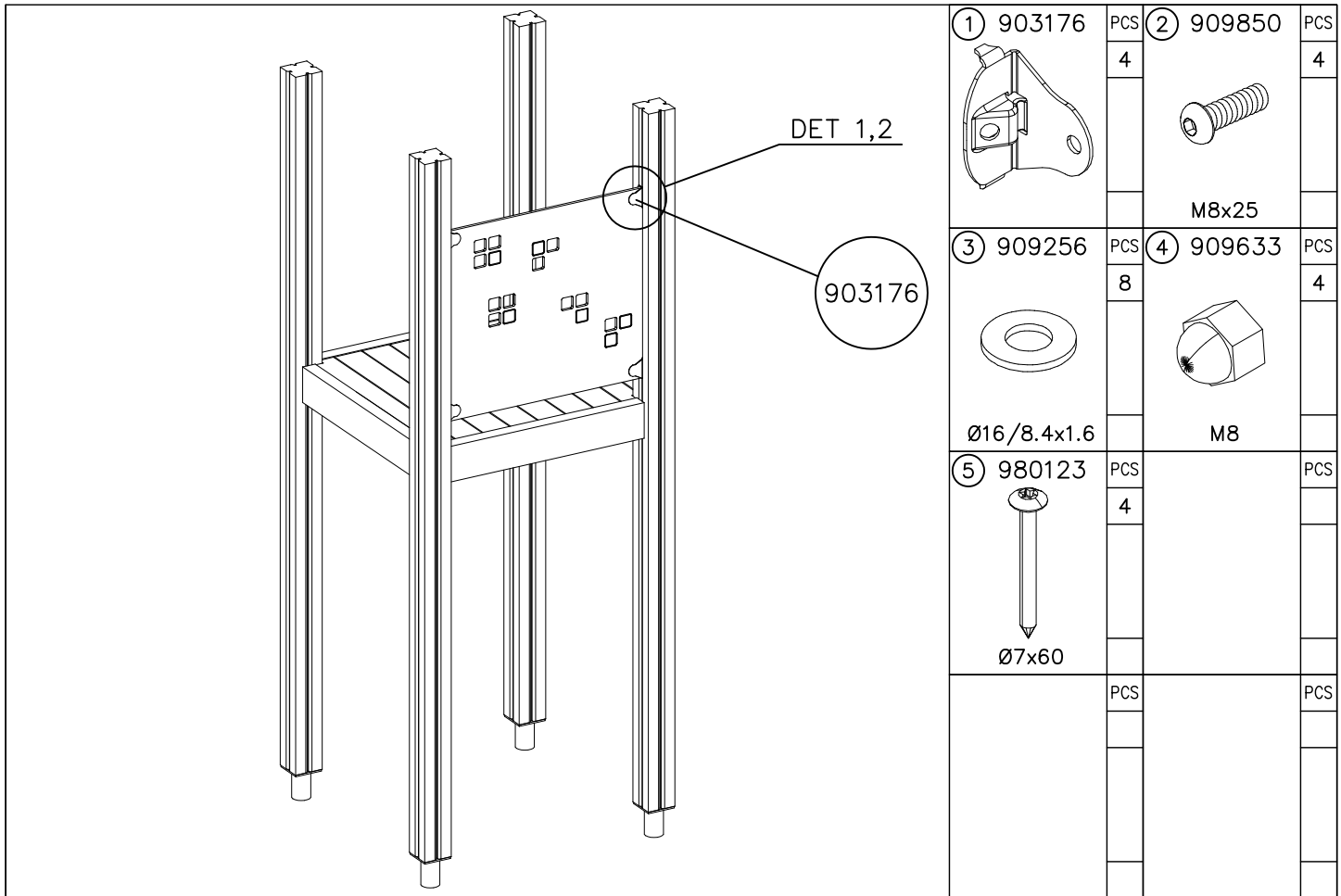


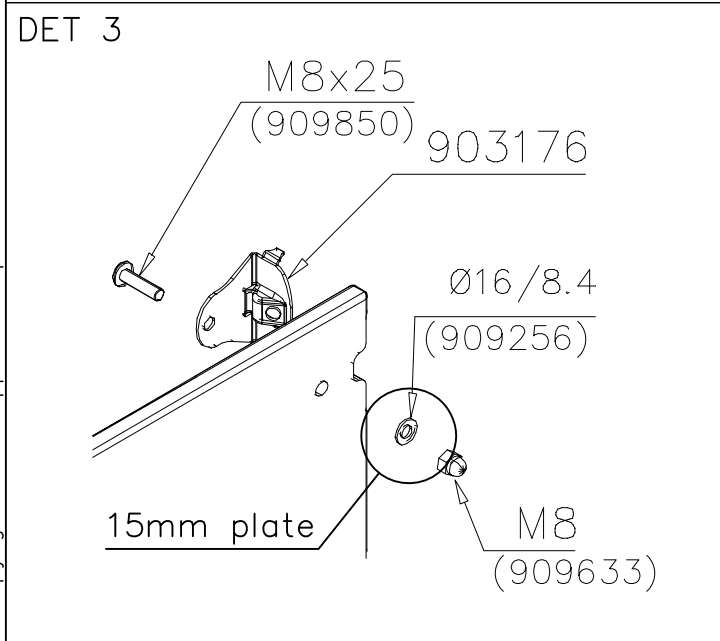
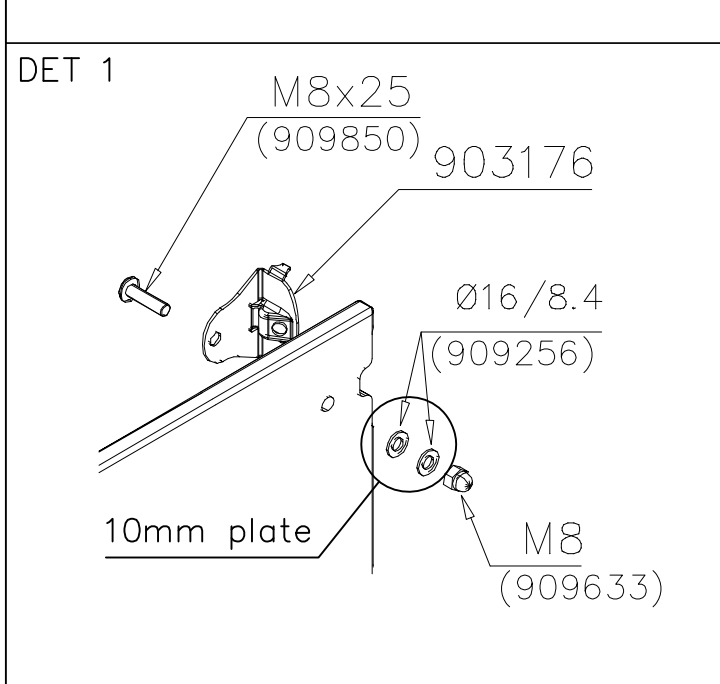
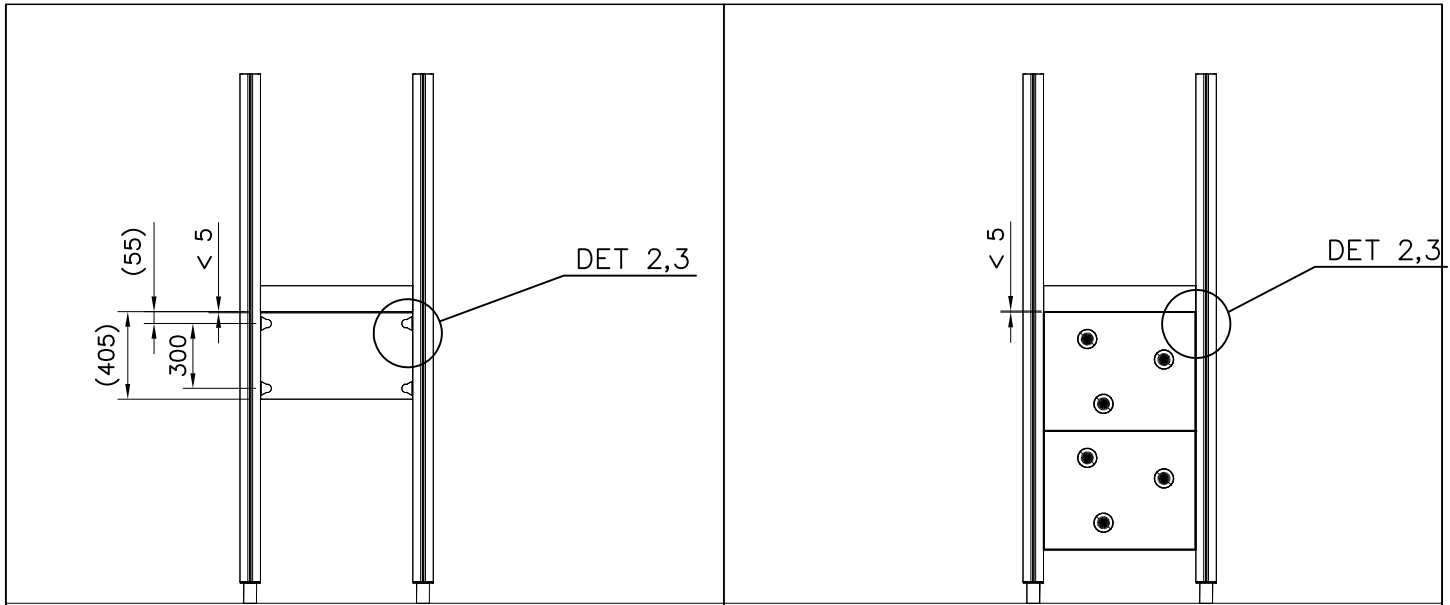
(D)

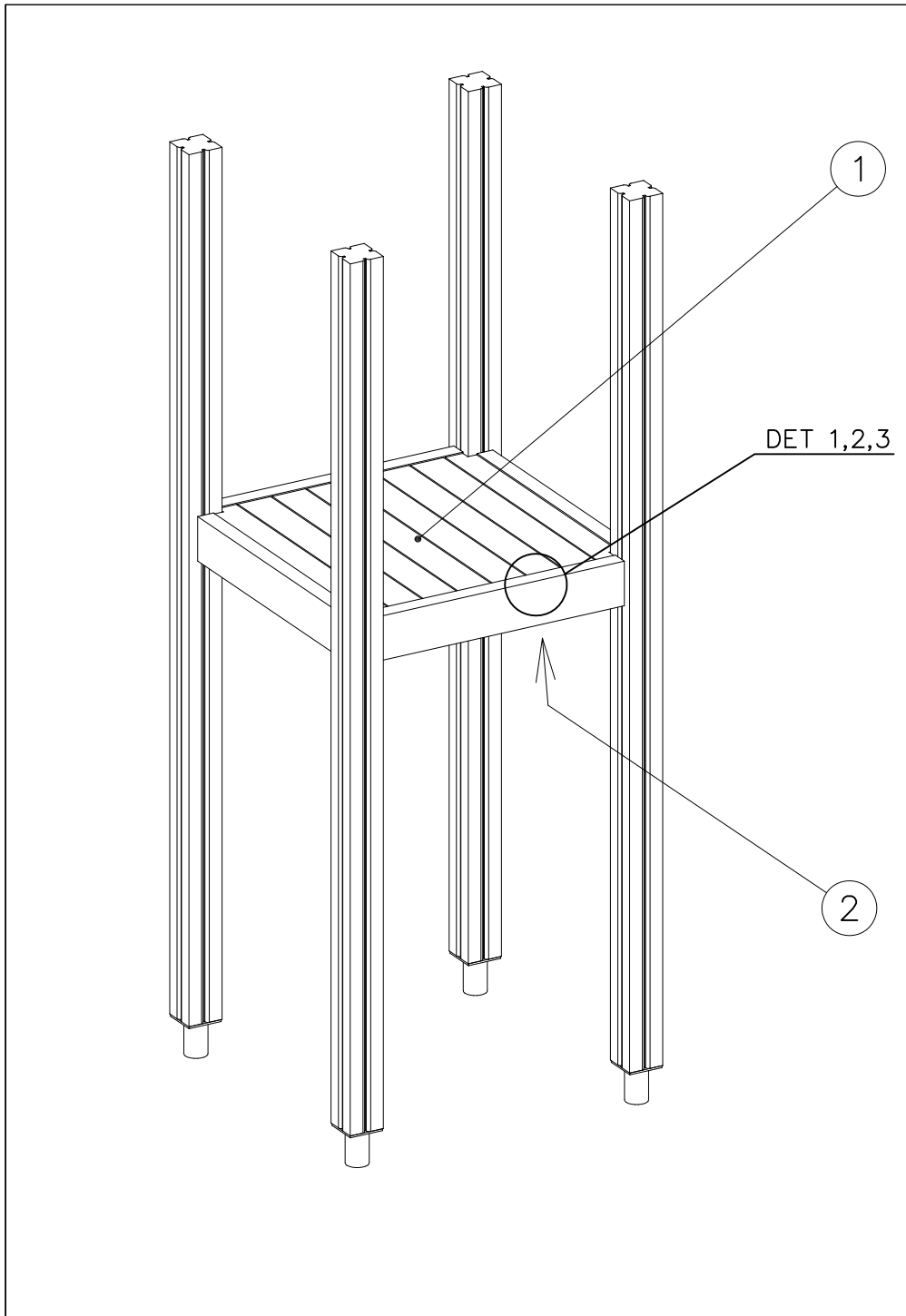


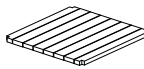
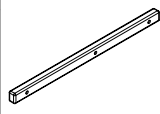
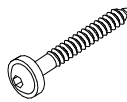





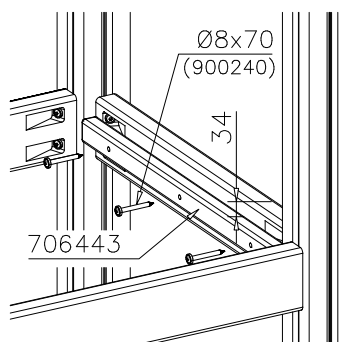






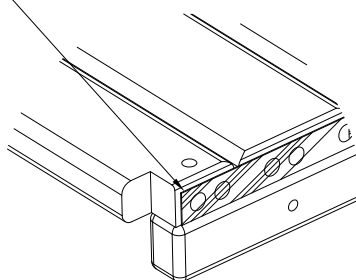
① 008986	PCS	② 706443	PCS
	1		2
750x750		32x45x702	
③ 900240	PCS	④ 980101	PCS
	6		8
Ø8x70		Ø4.5x70	
	PCS		PCS
	PCS		PCS
	PCS		PCS

DET 1

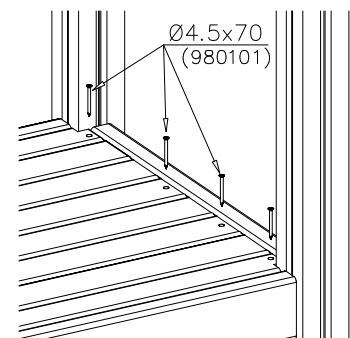


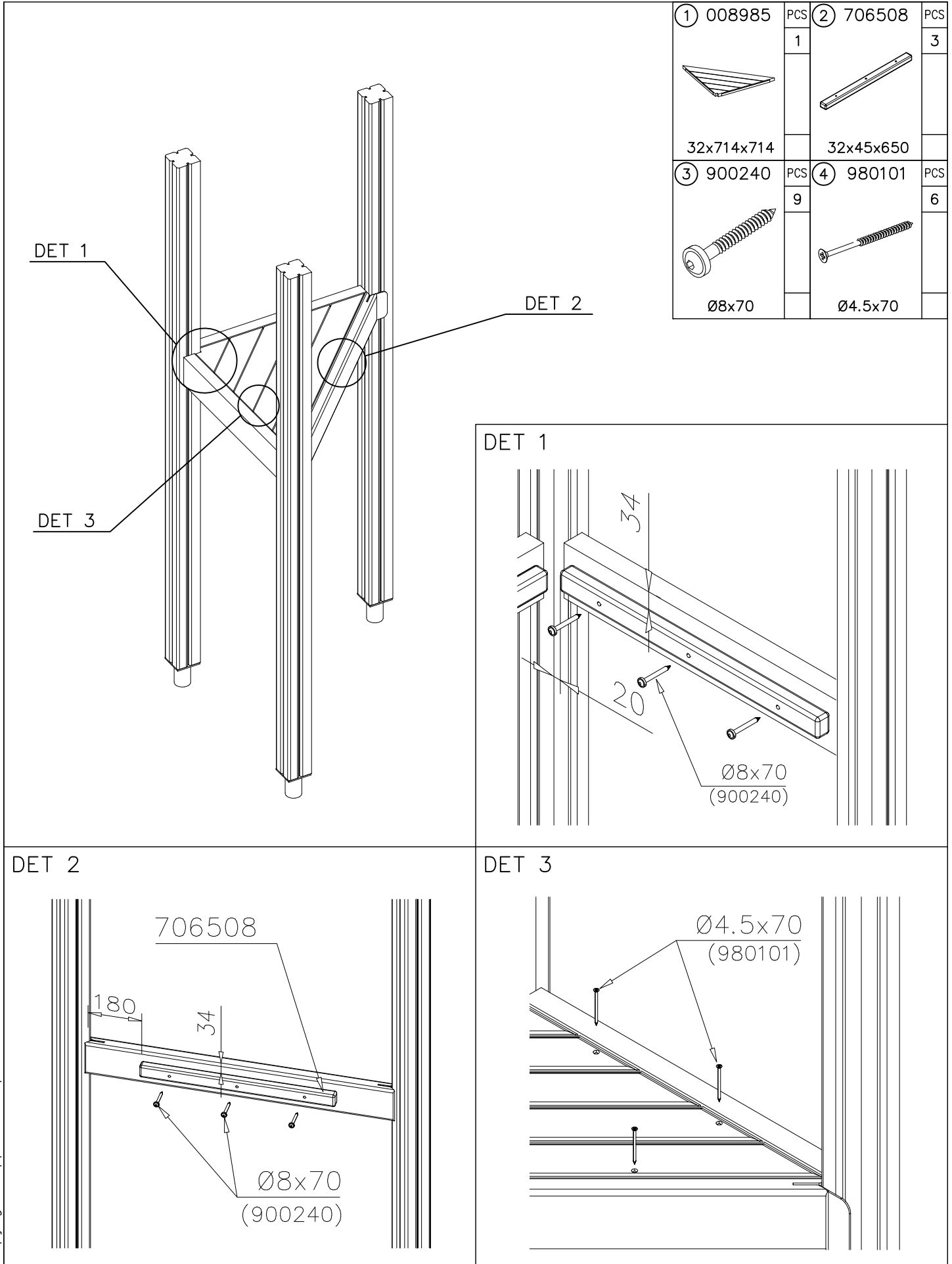
DET 2

Naulanauha kannatinlistan puolelle.
Nail list to the bottom.

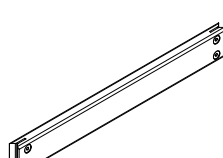


DET 3

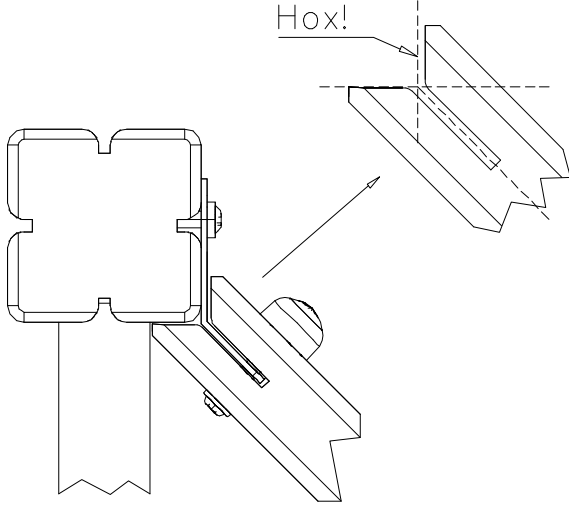




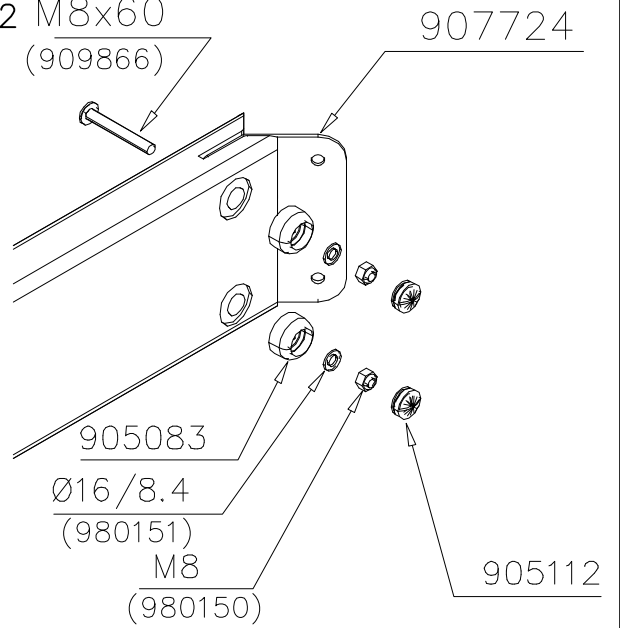


BOOM OPTIONS		
706510	706510-602	DARK BROWN
	706510-603	LIGHT BROWN
	706510-604	LIGHT GRAY
		
45x120x1030		

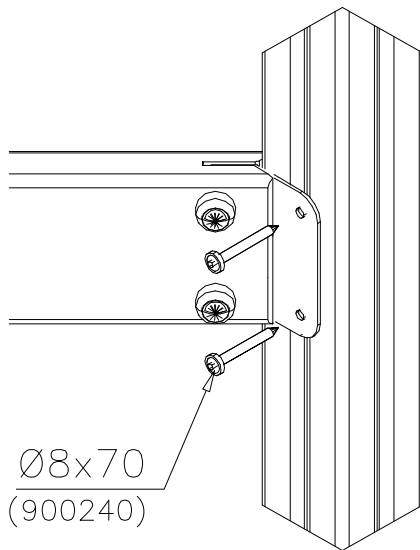
DET 1

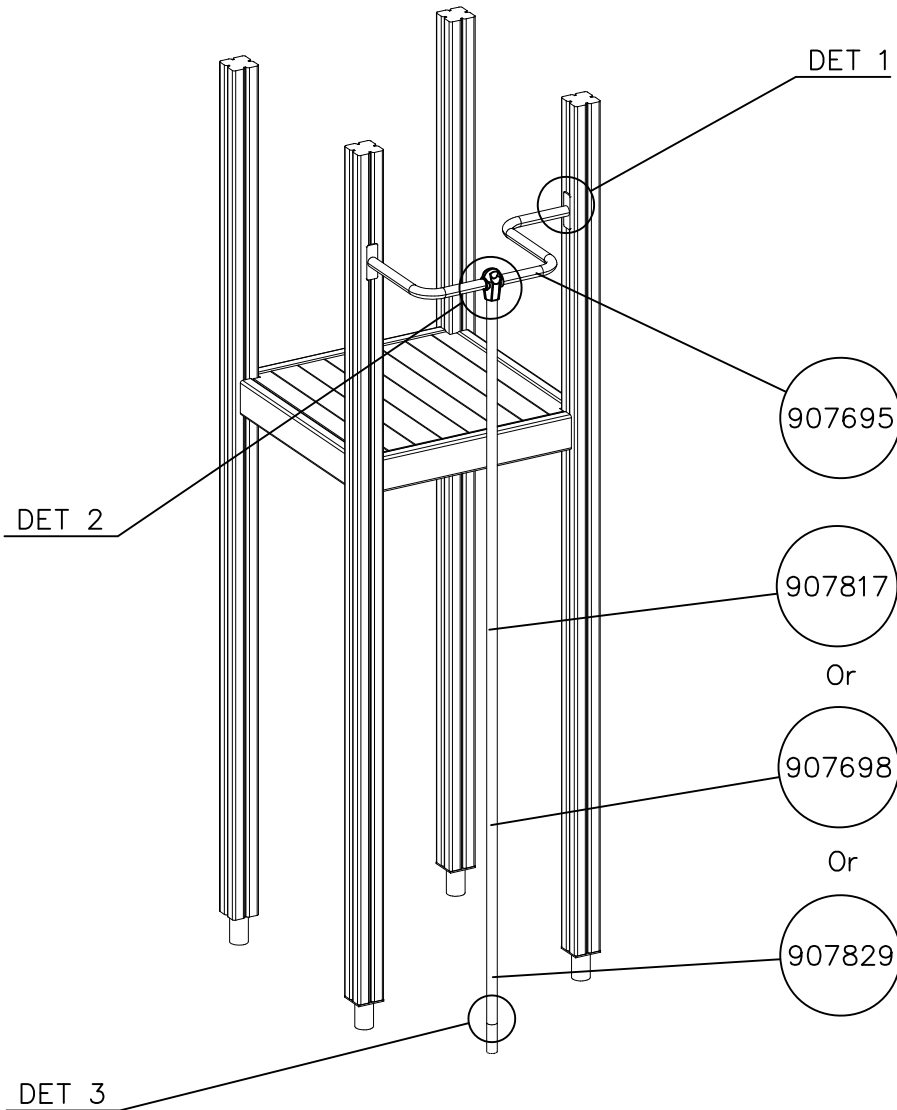


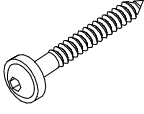
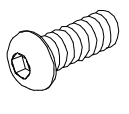
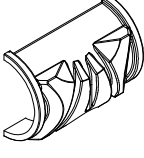

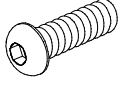

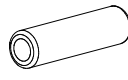




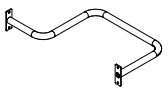
DET 2 M8x60
 (909866)

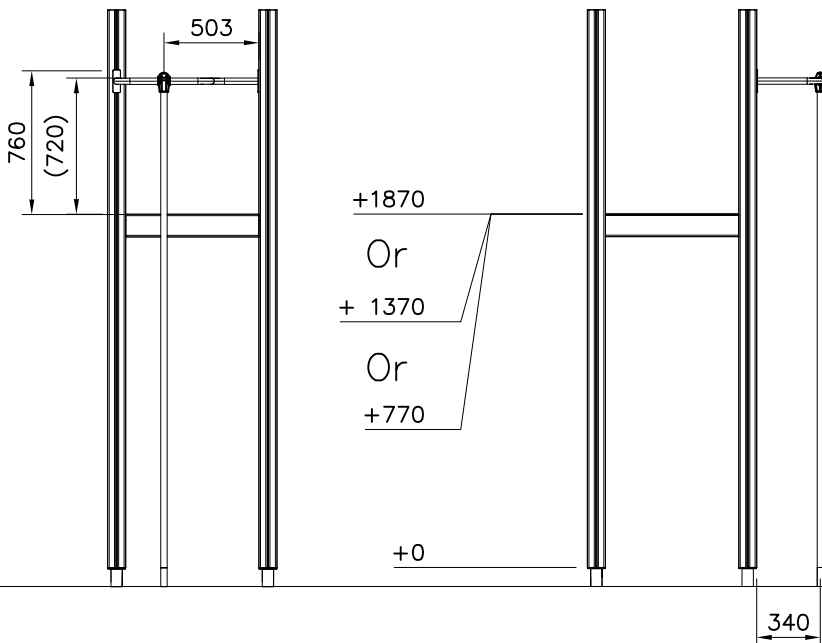


DET 3

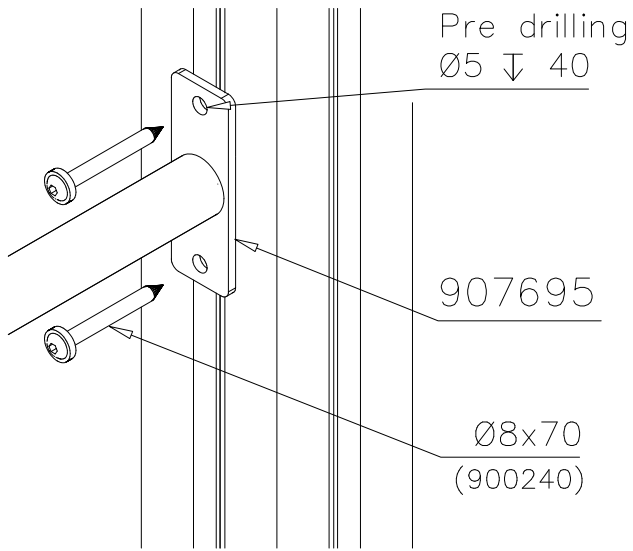




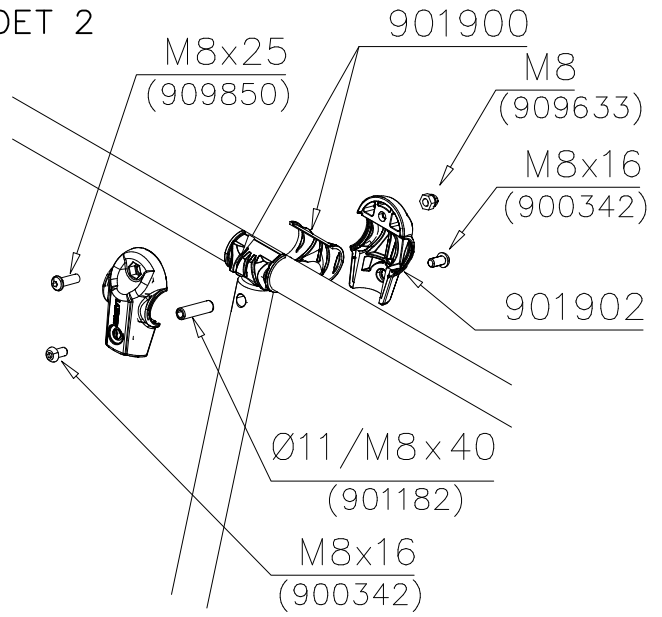
① 900240	PCS 4	② 900342	PCS 2
			
Ø8x70		M8x16	
③ 901900	PCS 2	④ 901939	PCS 1
			
20.5x36.2x56		M12x70	
⑤ 909850	PCS 1	⑥ 980150	PCS 1
			
M8x25		M8	
⑦ 901182	PCS 1	⑧ 901902	PCS 2
			
Ø11/M8x40		30.7x60.9x100	
	PCS		PCS
	PCS		PCS
○ 907829	PCS 1	○ 907698	PCS 1
			
Ø33,7x1454		Ø33,7x2054	
○ 907817	PCS 1	○ 907695	PCS 1
			
Ø33,7x2554			



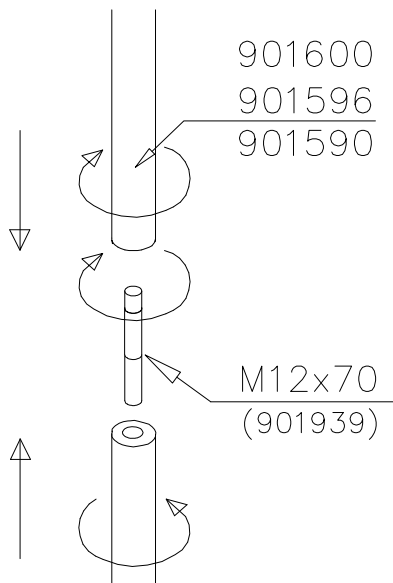
DET 1



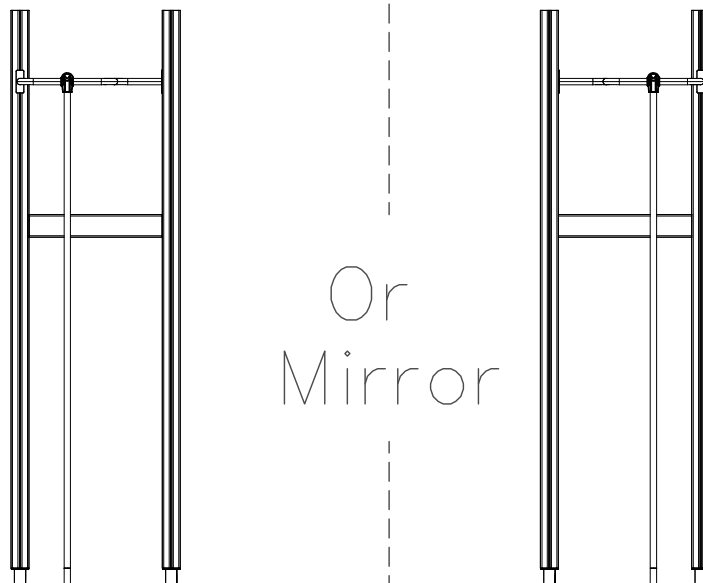
DET 2



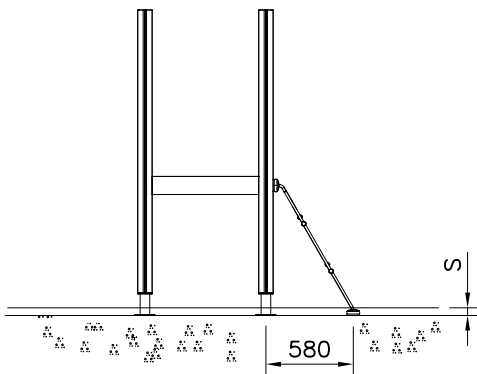
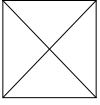
DET 3



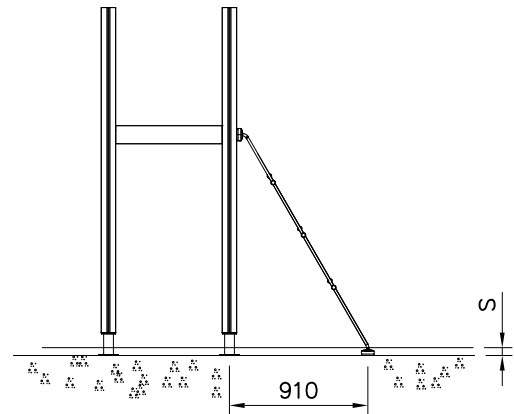
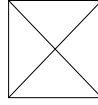
DET 4



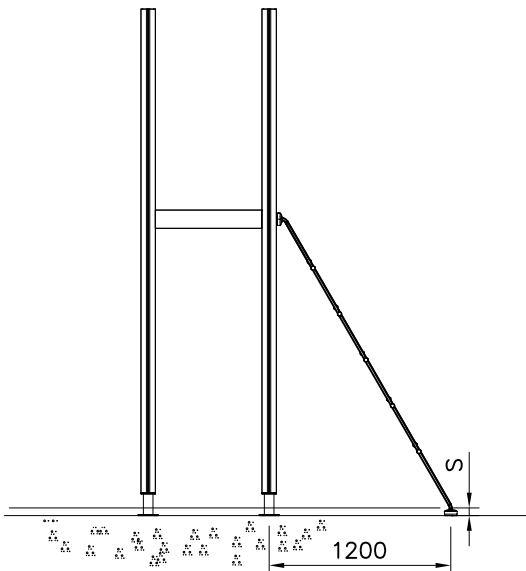
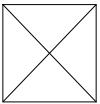
+870



+1470



+1970

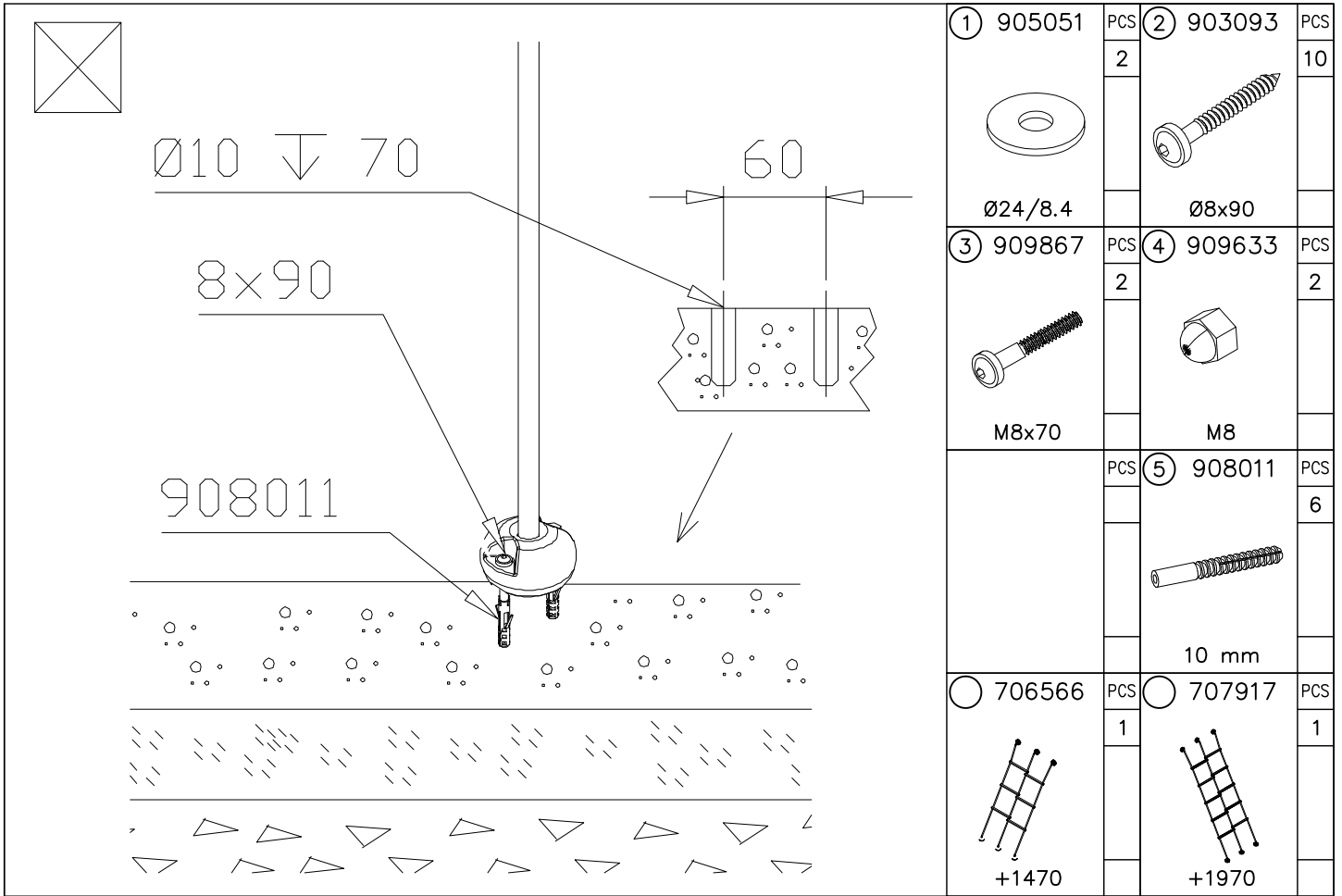


LAPPSET® SURF. FOUNDATION

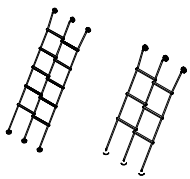
ROPE LADDER

DATE: 30.9.2016

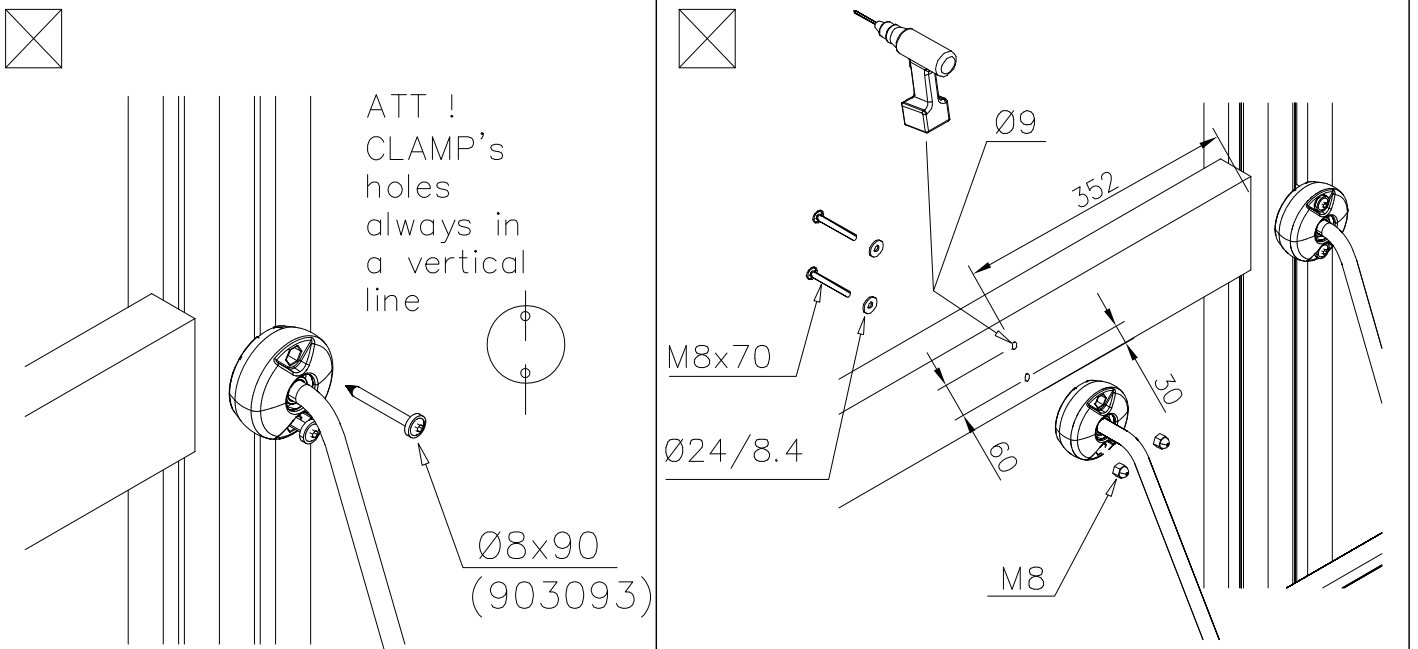
1(1)

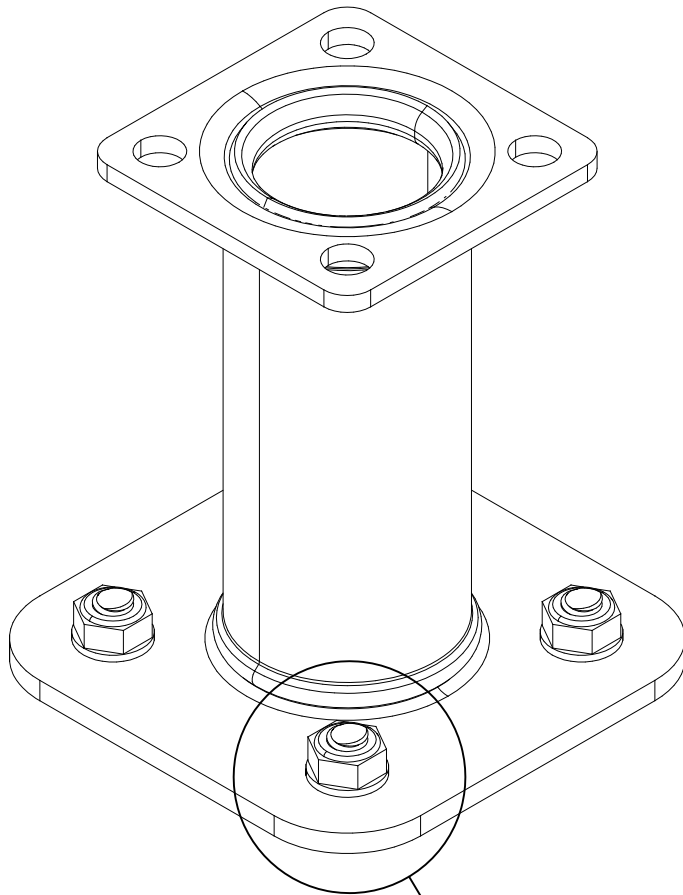


ROPE LADDER OPTIONS



xxxxxx-301	BLUE
xxxxxx-302	RED
xxxxxx-303	BEIGE
xxxxxx-304	GRAY
xxxxxx-305	BLACK
xxxxxx-306	YELLOW

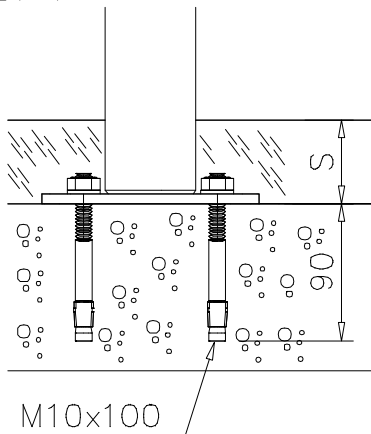




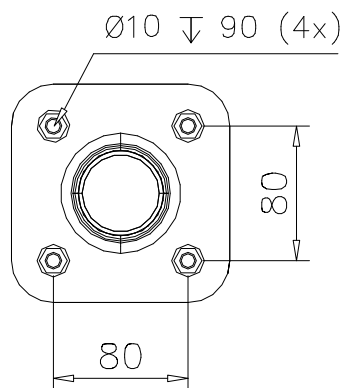
DET 1, 2, 3

① 909531	PCS	① 909513	PCS
	1		1
		60°	
① 909514	PCS	① 902056	PCS
	1		1
		75°	57°
① 902062	PCS		PCS
	1		
		70°	
	PCS		PCS
	PCS		PCS
② 909628	PCS		PCS
	4		
M10x100			

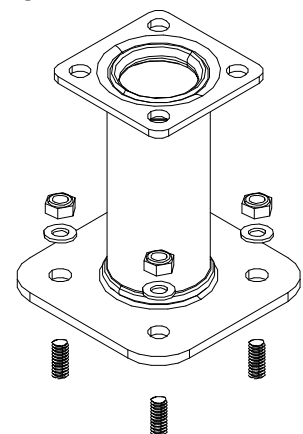
DET 1



DET 2



DET 3



LAPPSET®
BETON FOUNDATION

FOOT

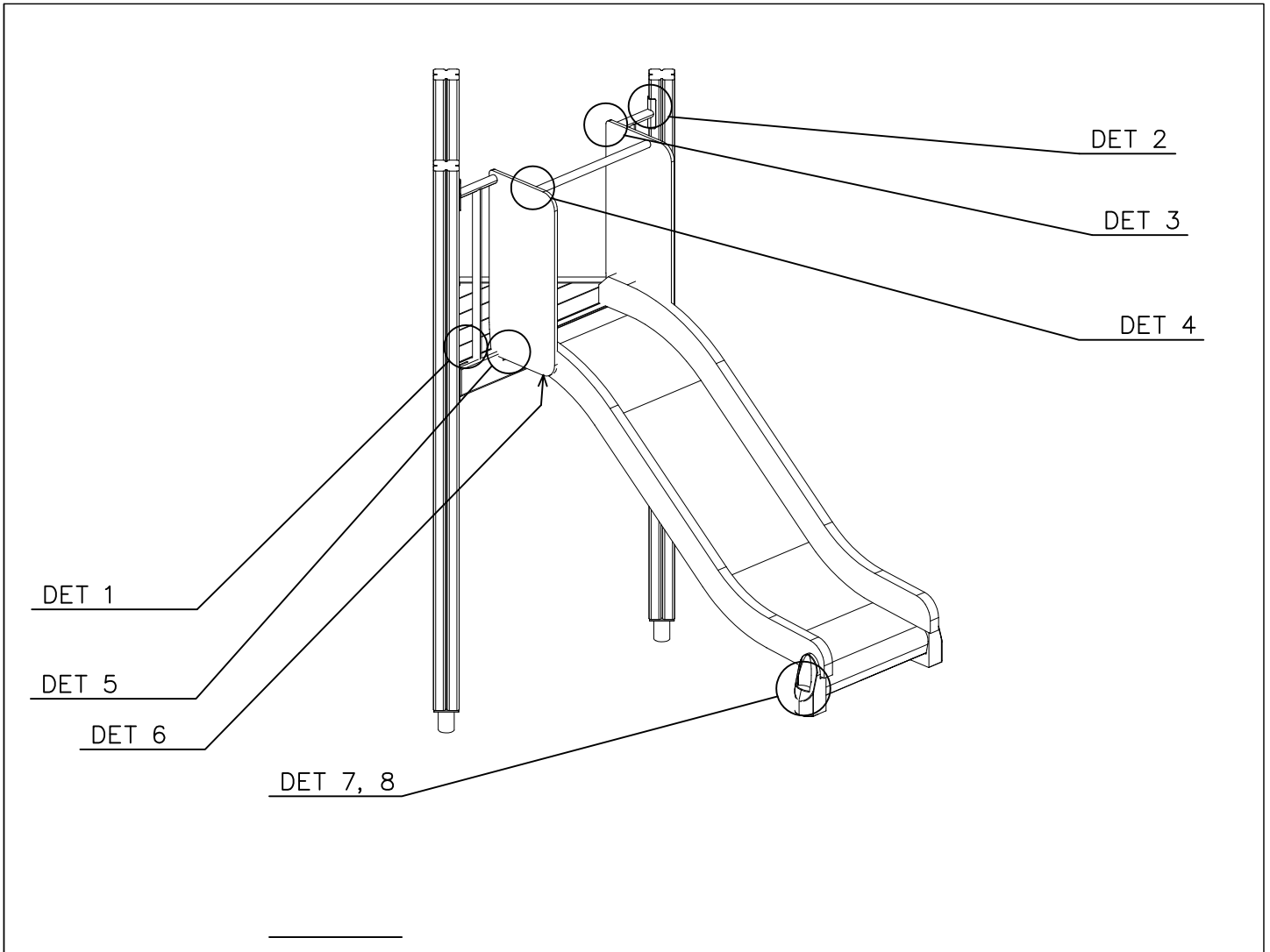
DATE: 27.10.2015

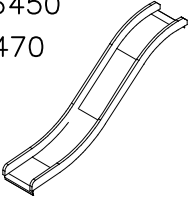
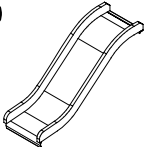
1(1)

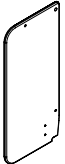
② 905104	PCS		PCS
	4		
 M10	PCS		PCS



905104



SLIDE OPTIONS			
706450 +1470 	706450-602 706450-603 706450-604	DARK BROWN LIGHT BROWN LIGHT GRAY	
706452 +870 	706452-602 706452-603 706452-604	DARK BROWN LIGHT BROWN LIGHT GRAY	

WALL OPTIONS			
706371 	706371-701 706371-702 706371-703 706371-704 706371-705 706371-706	BLUE YELLOW LIME DRARK GRAY LIGHT GRAY RED	706371-707 706371-708 GREEN FUXIA

LAPPSET

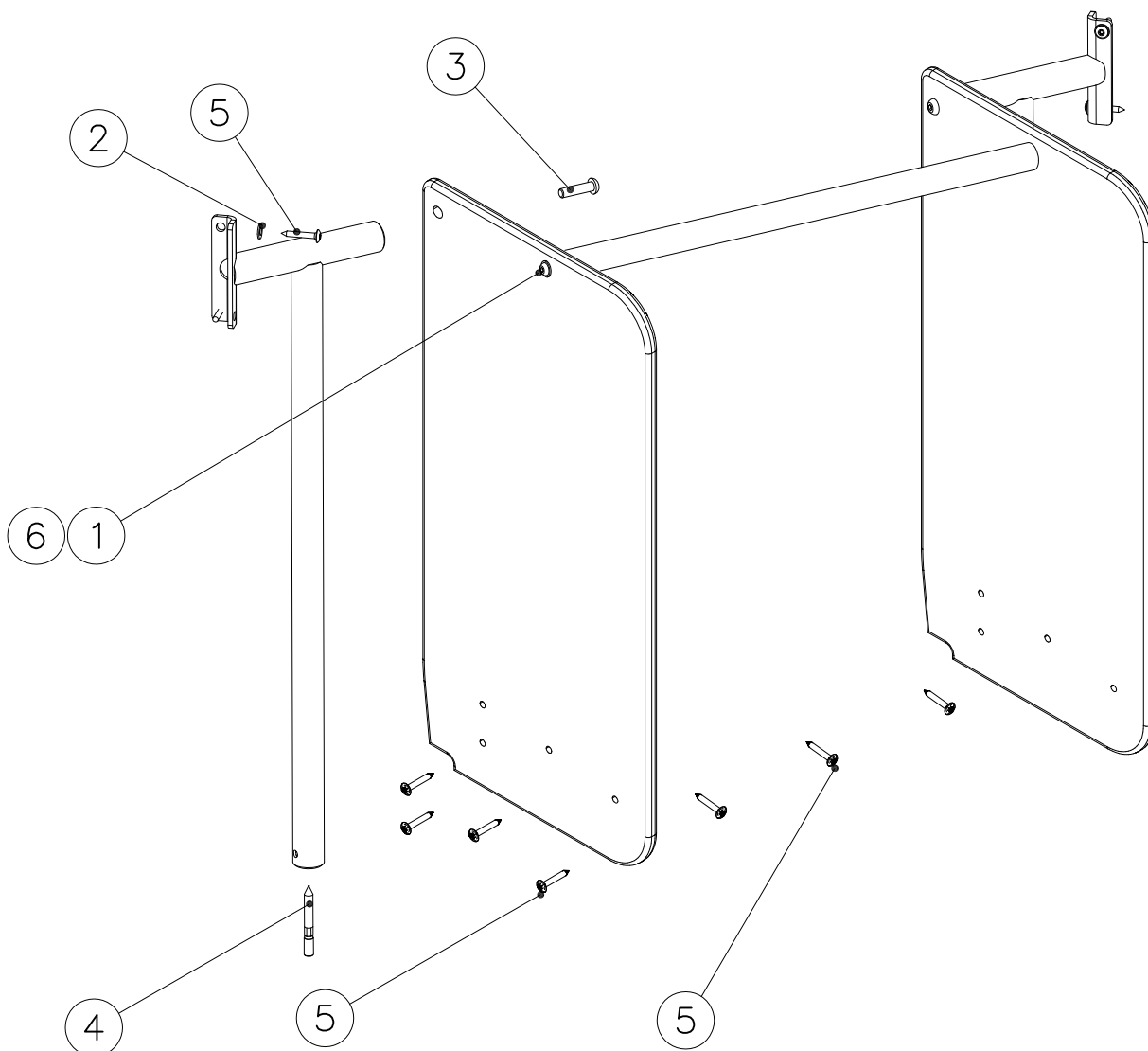
SURFACE FOUNDATION

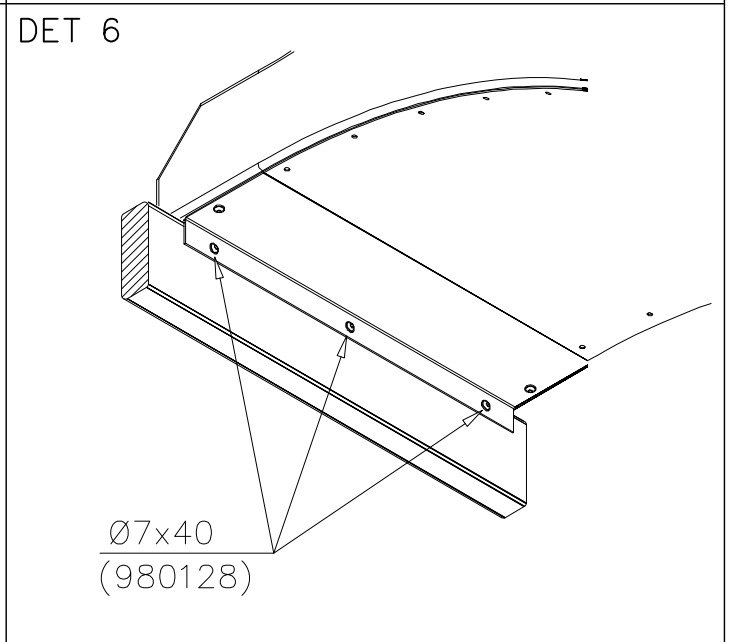
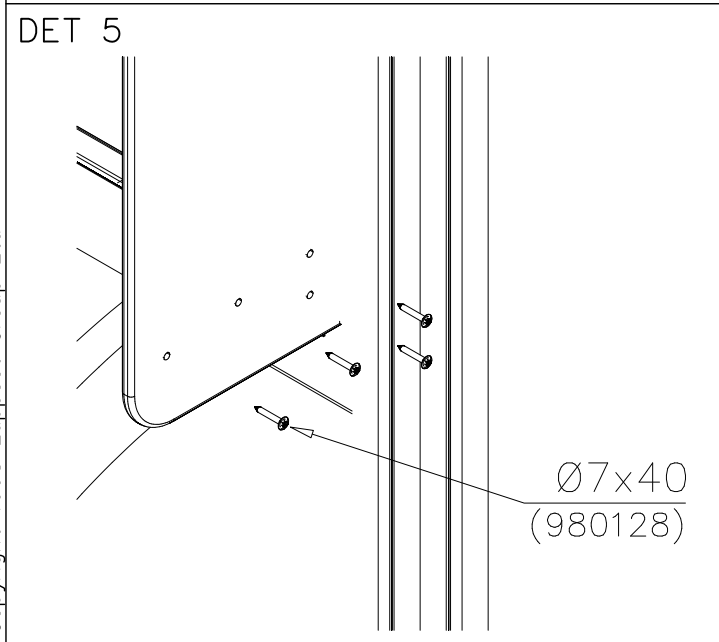
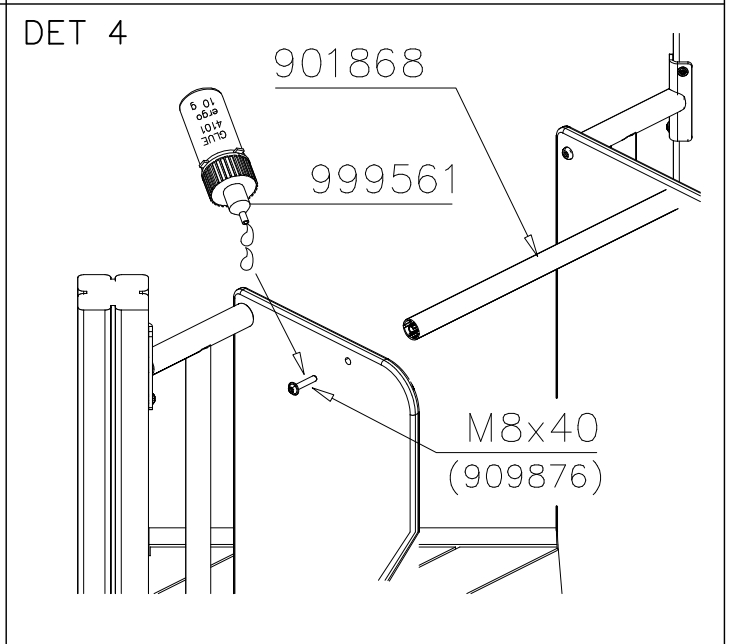
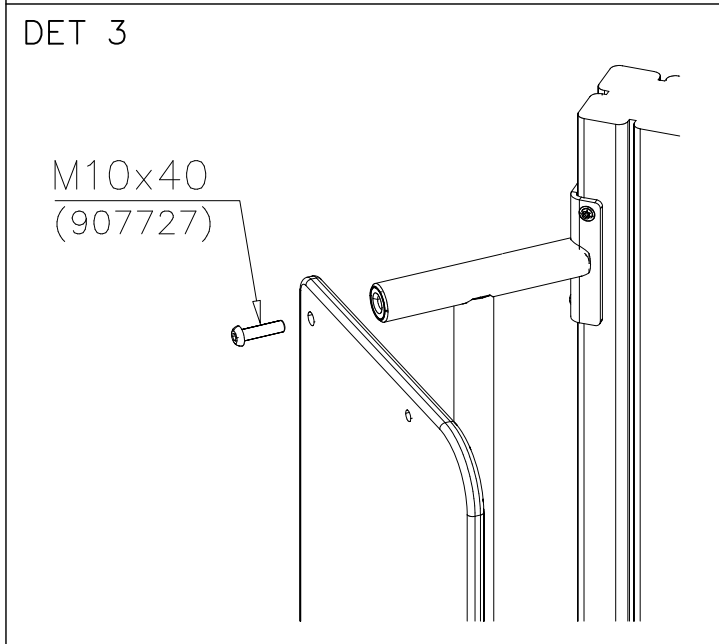
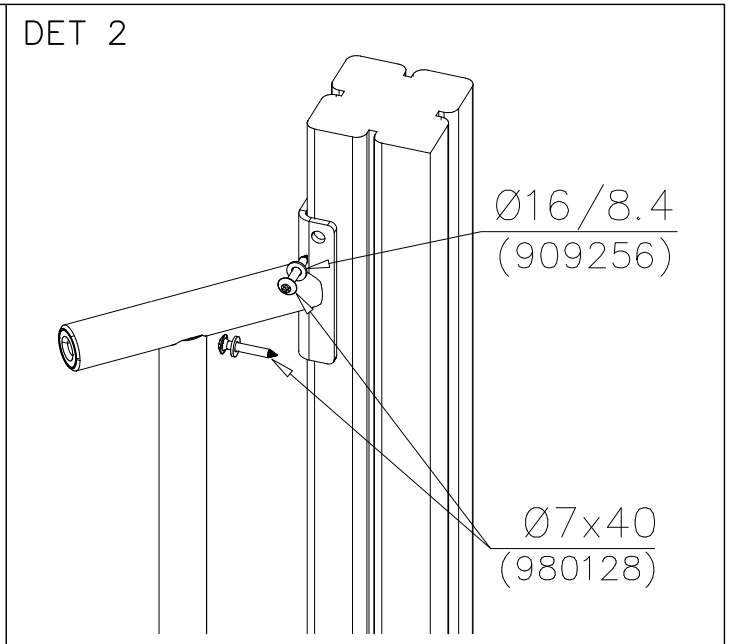
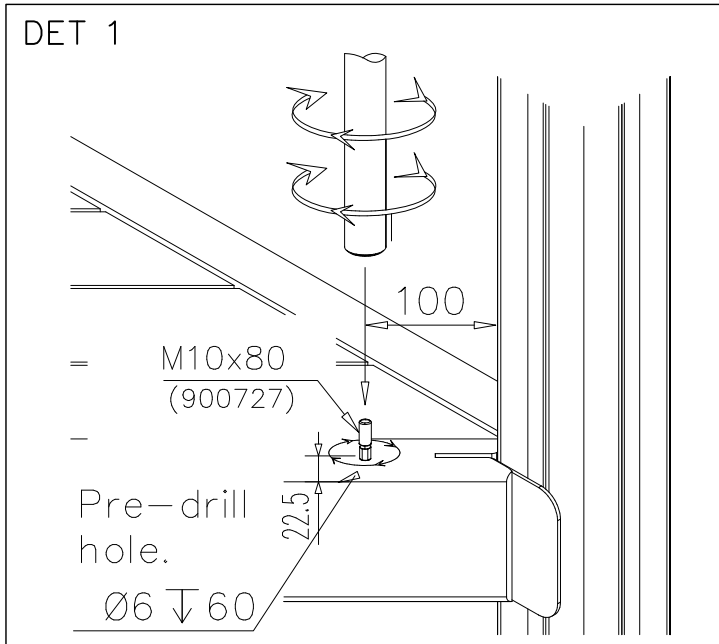
DIAGONAL SLIDE WOOD

DATE: 21.9.2016

2(5)

○ SLIDE +1470 PCS 1	○ SLIDE +870 PCS 1	○ 706371 15x345x750 PCS 2	○ 907692 PCS 2	○ 901868 Ø34x598 PCS 1	① 909876 M8x40 PCS 2
② 909256 Ø16/8.4 PCS 4	③ 907727 M10x40 PCS 2	④ 900727 M10x80 PCS 2	⑤ 980128 Ø7x40 PCS 15	⑥ 999561 GLUE 4101 ergo 10 g 10g PCS 1	



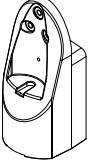



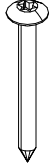


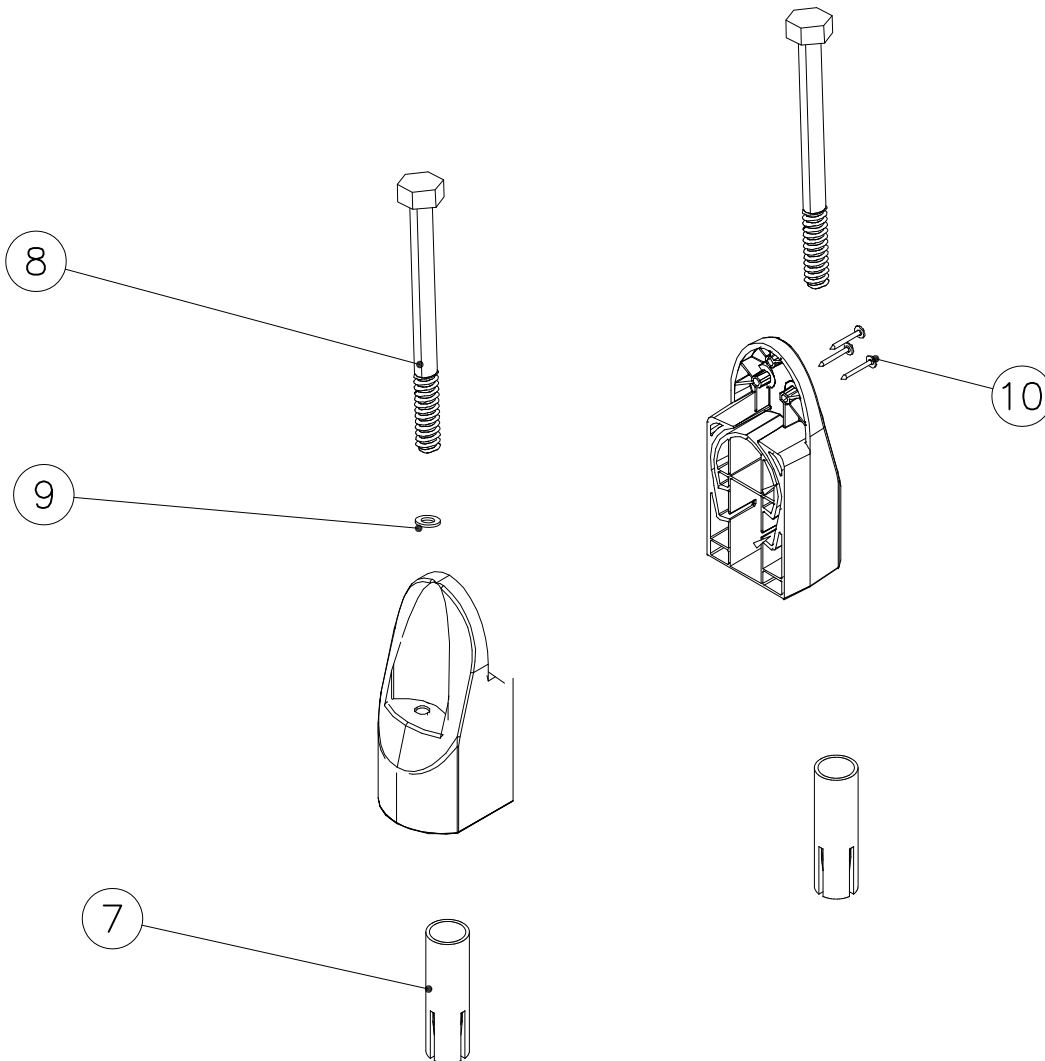
LAPPSET

SURFACE FOUNDATION

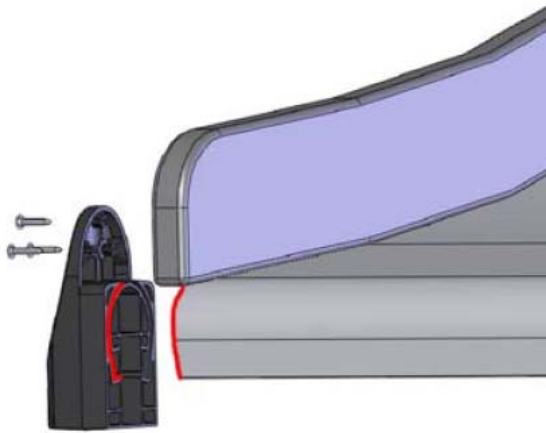
DIAGONAL SLIDE WOOD

DATE: 21.9.2016 4(5)

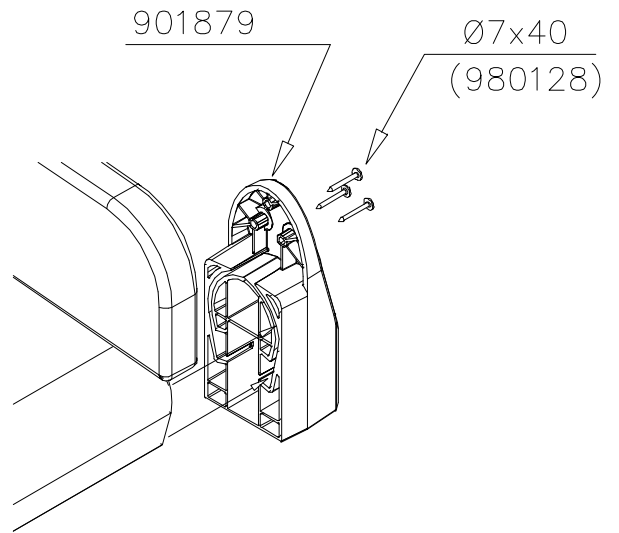
○ 901879	PCS	7 909509	PCS	8 909139	PCS	9 980154	PCS	10 980128	PCS
	2		2		2		4		6
		M12x50		M12x130		Ø24/13		Ø7x40	



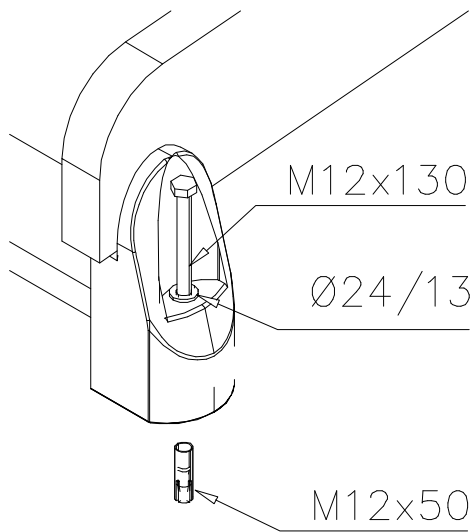
DET 7

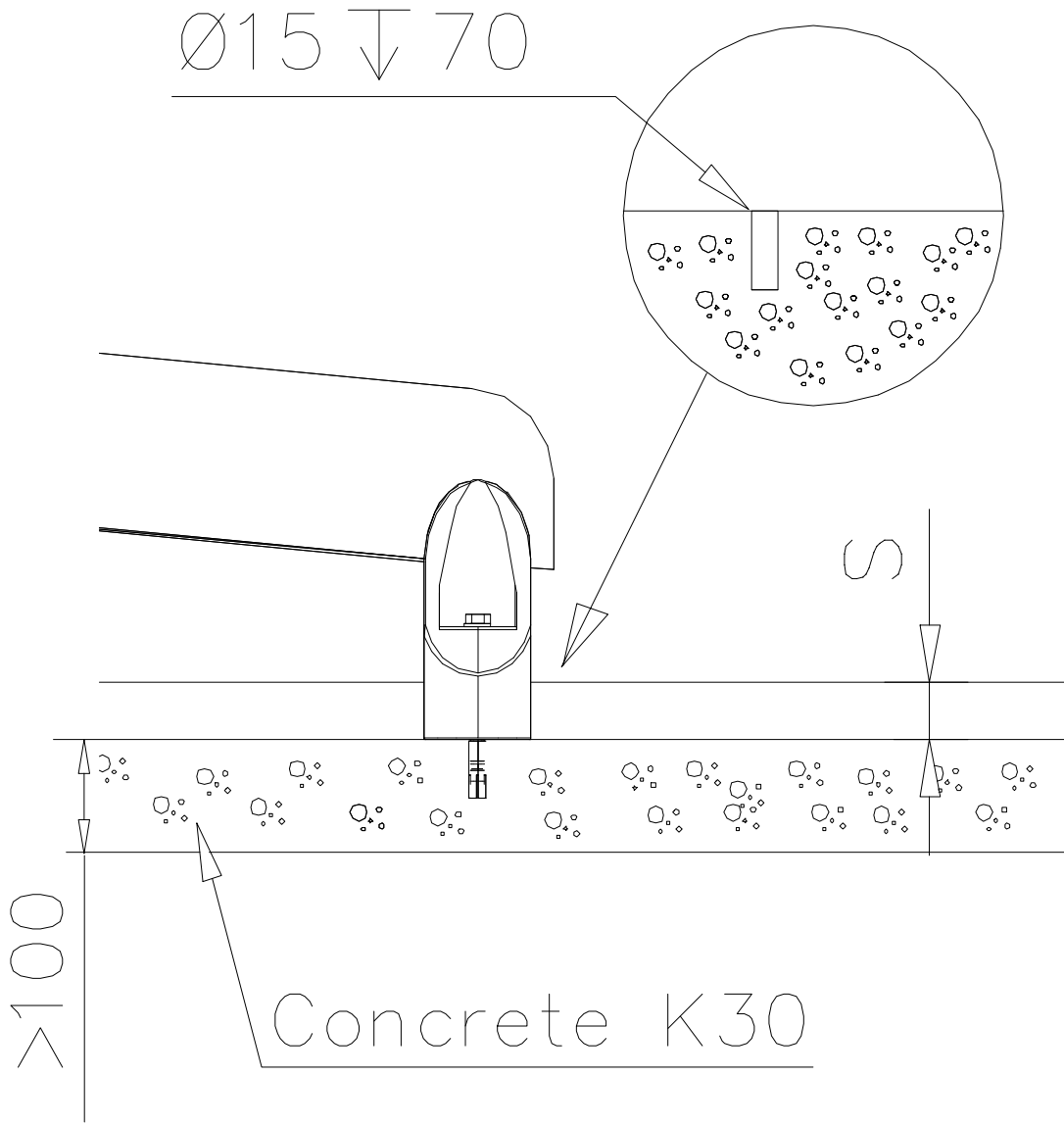


Insert sheet metal IN to the plastic cover.



DET 8



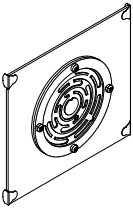
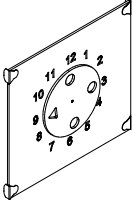
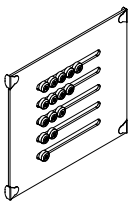
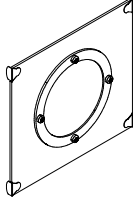
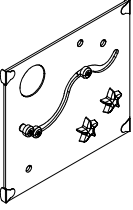
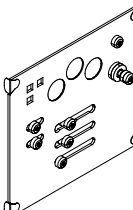
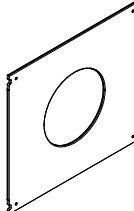
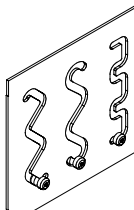
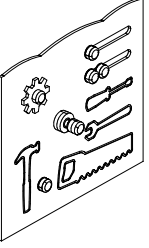
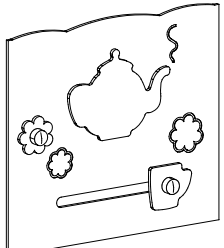
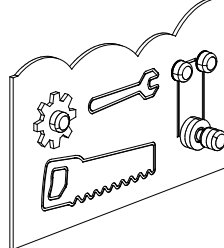


① 903176	PCS	② 909850	PCS
	4		4
		M8x25	
③ 909256	PCS	④ 909633	PCS
	8		4
Ø16/8.4x1.6		M8	
⑤ 980123	PCS		PCS
	4		
Ø7x60			

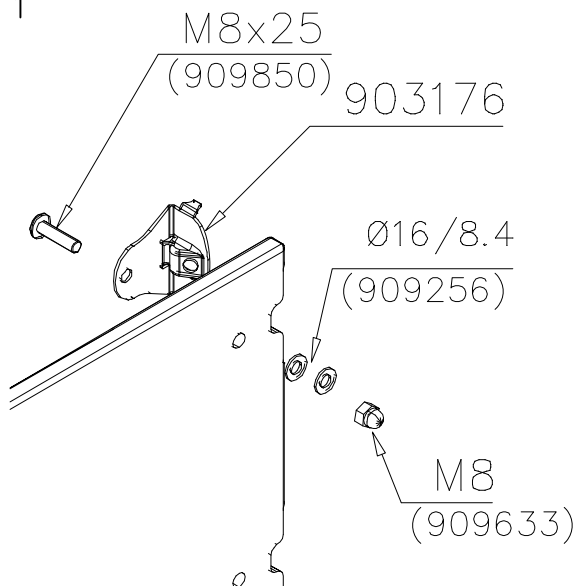
***Note:**
No gaps between:
8–25mm
89–230mm

COLOR OPTIONS	
-701	BLUE
-702	YELLOW
-703	LIME
-704	DARK GRAY
-705	LIGHT GRAY
-706	RED
-707	GREEN
-708	FUXIA

GAME WALL OPTIONS

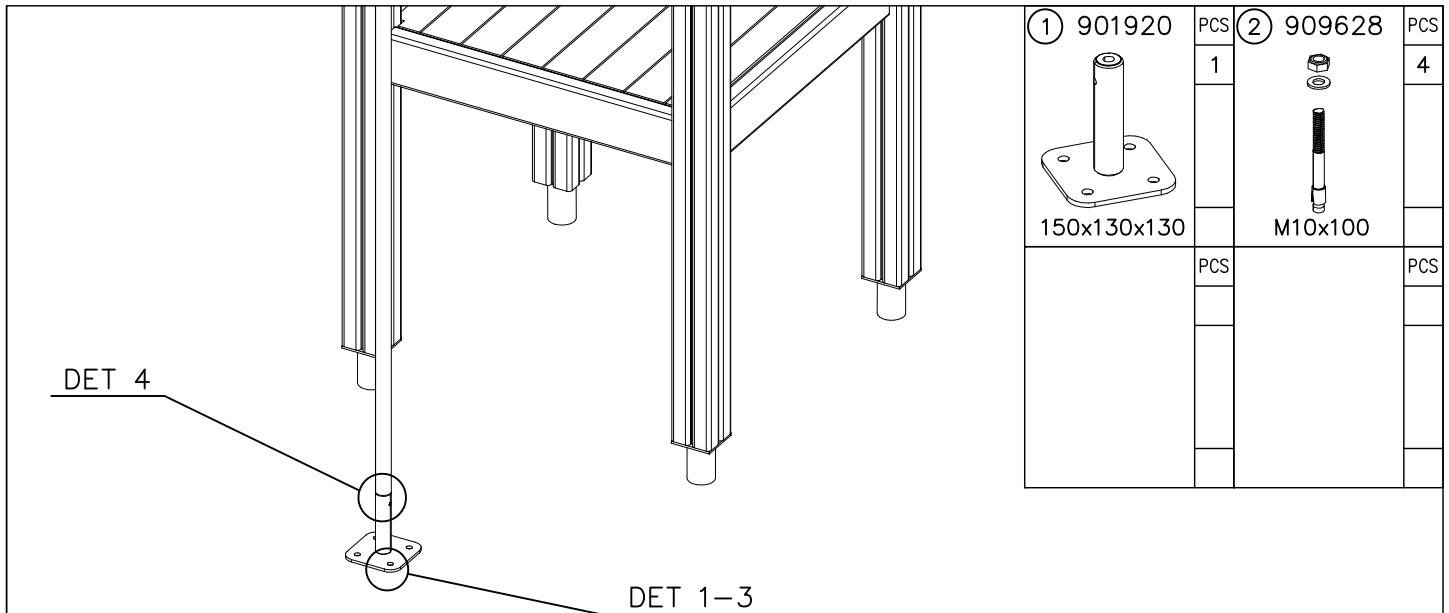
706766	706772	706308	707453
			
640x702	640x702	640x702	640x702
707209	705705	707433	707386
			
640x702	640x702	640x702	640x702
709403	709358	709405	
			
640x702	640x702	420x702	

DET 1

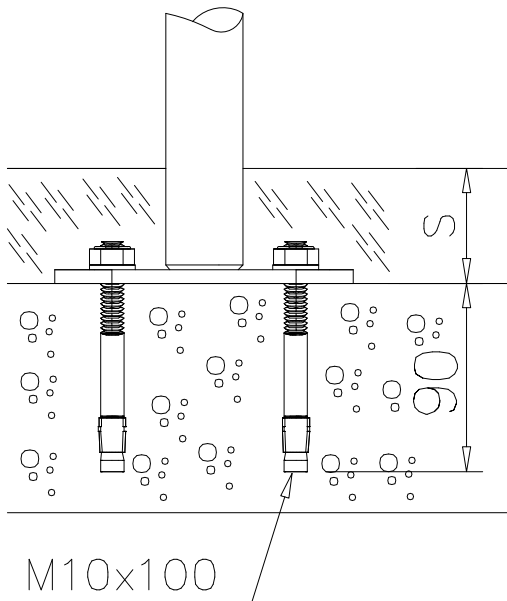


DET 2

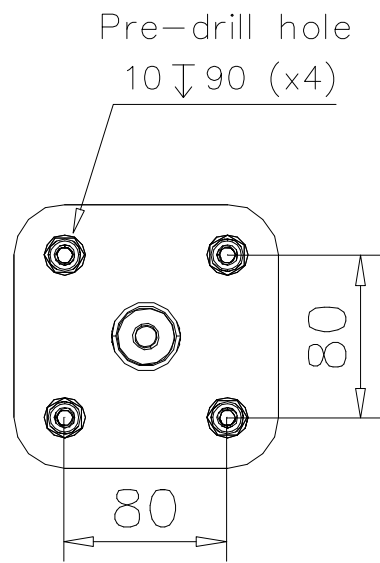




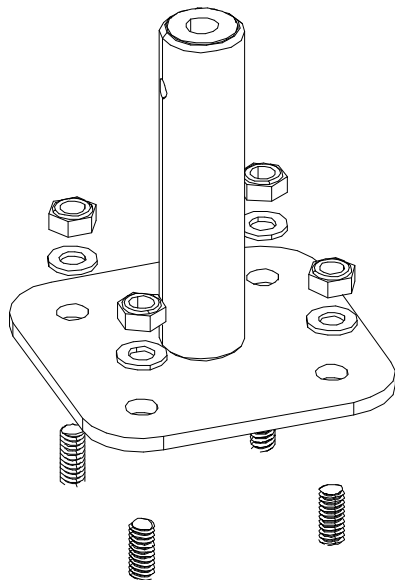
DET 1



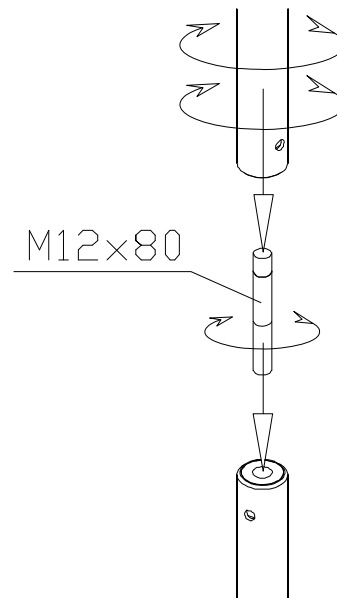
DET 2

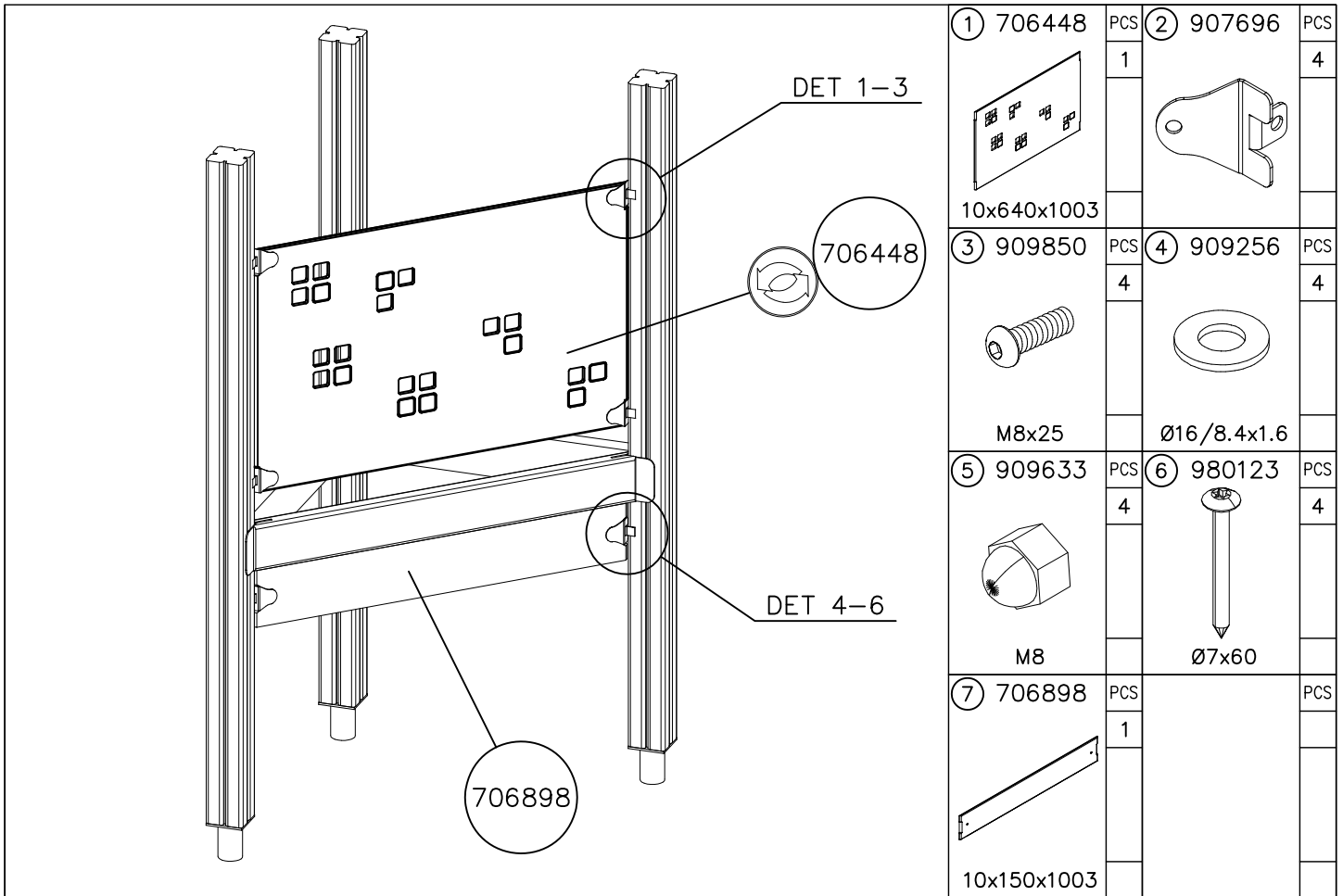


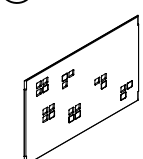
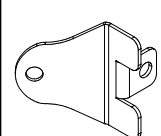


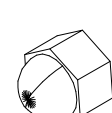


DET 3

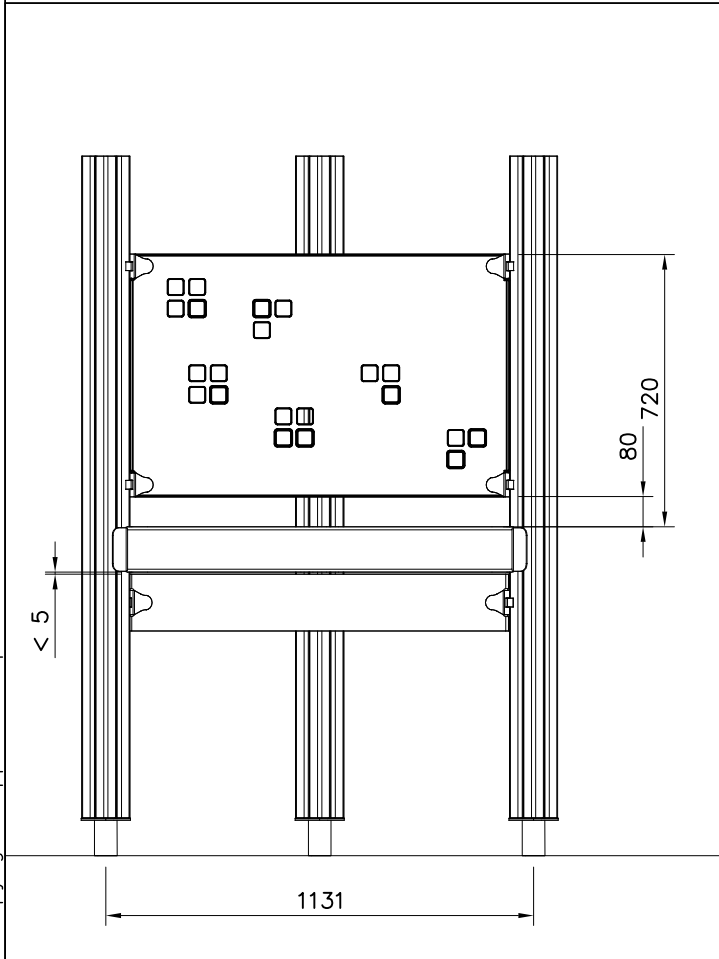


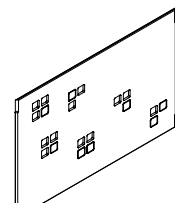

DET 4

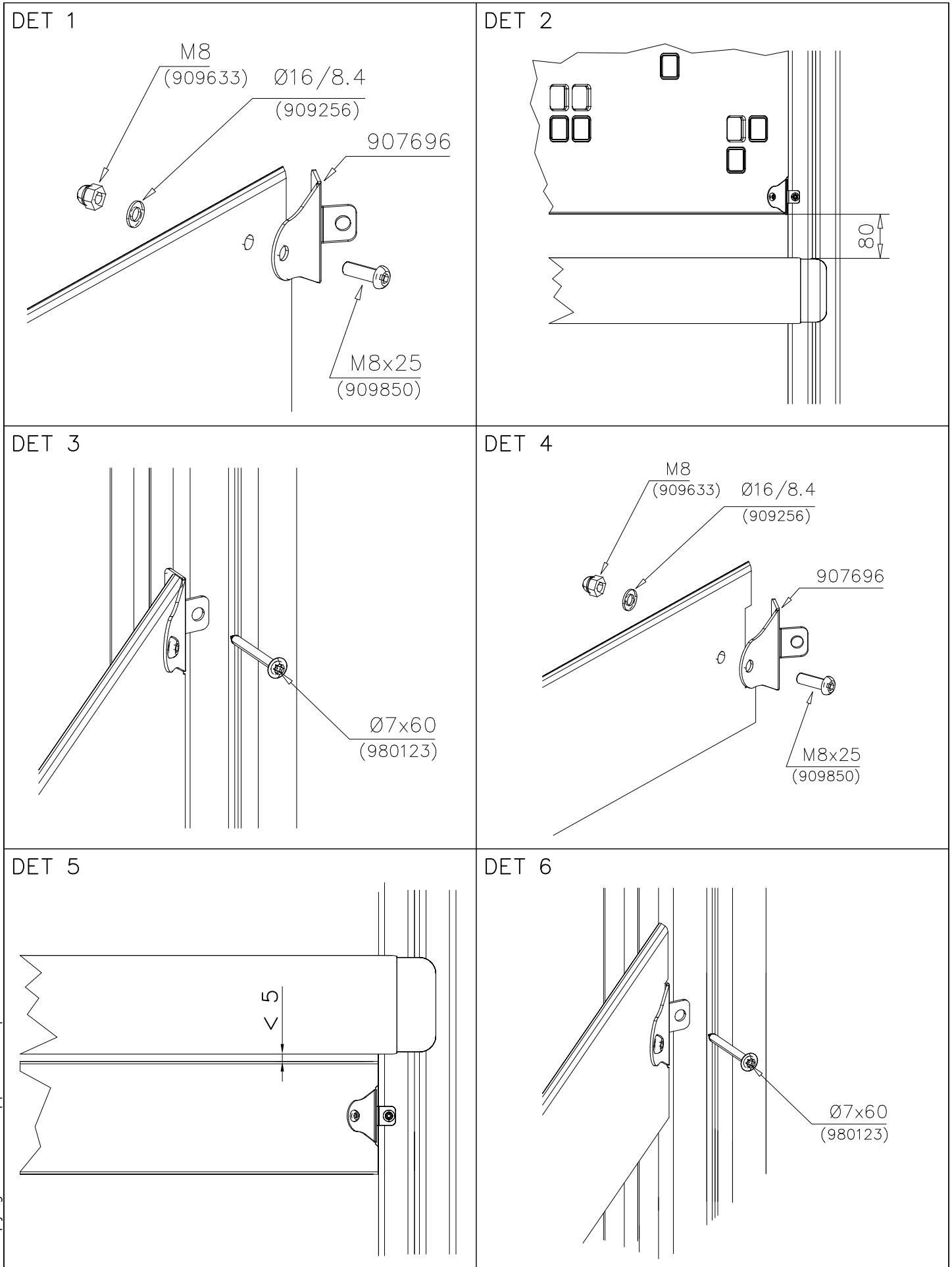


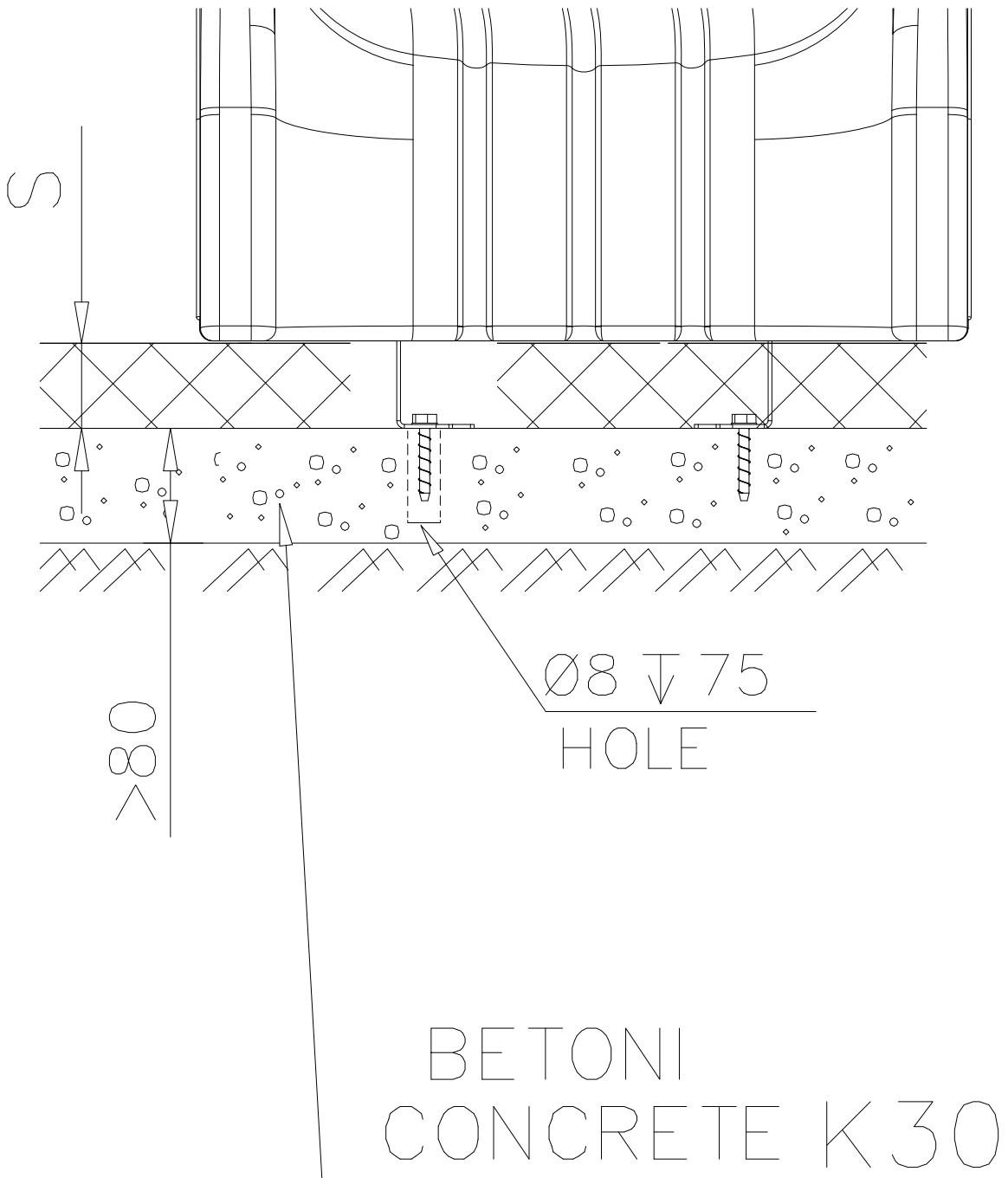


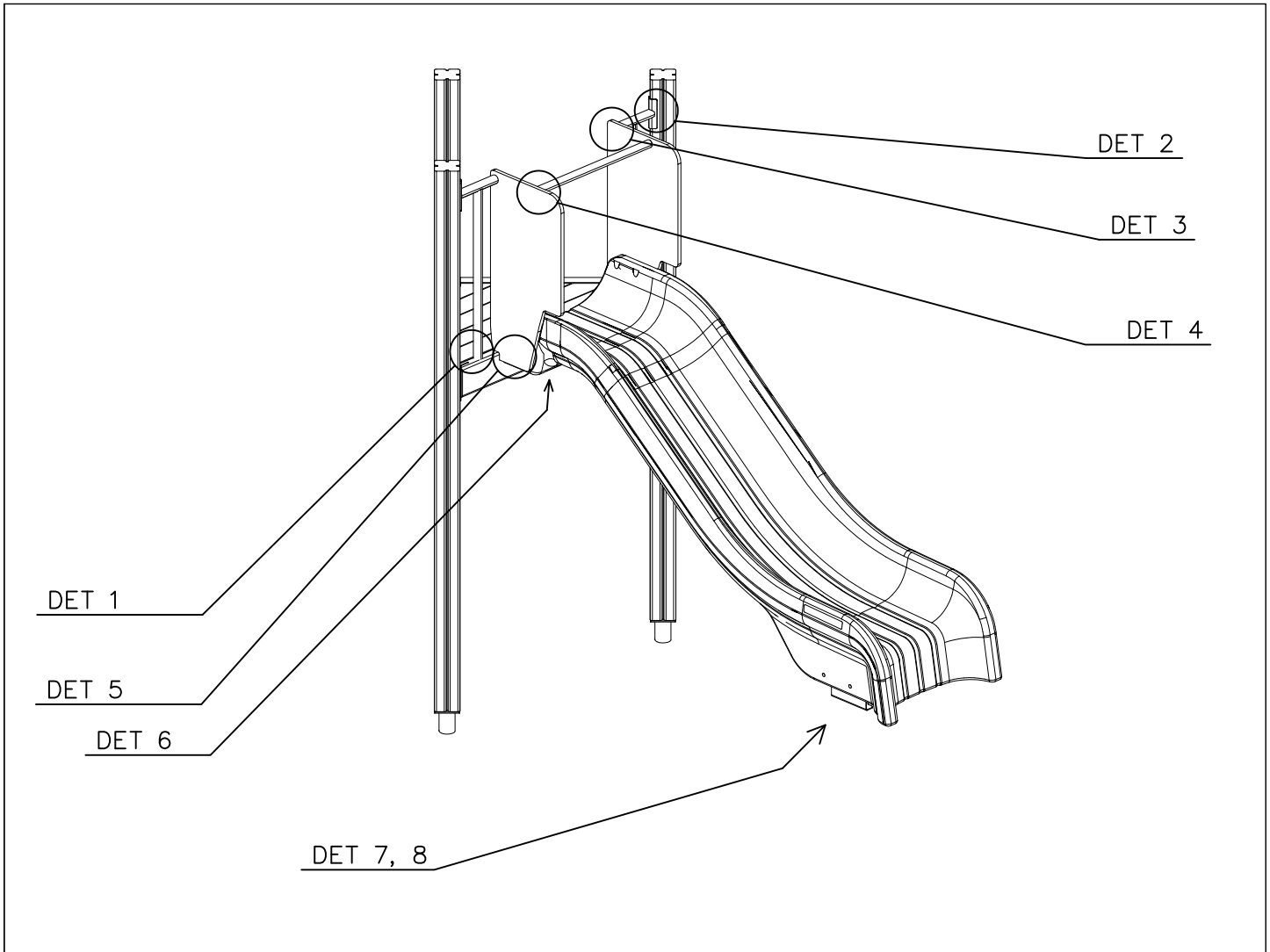
① 706448	PCS	② 907696	PCS
	1		4
10x640x1003			
③ 909850	PCS	④ 909256	PCS
	4		4
M8x25		Ø16/8.4x1.6	
⑤ 909633	PCS	⑥ 980123	PCS
	4		4
M8		Ø7x60	
⑦ 706898	PCS		PCS
	1		
10x150x1003			



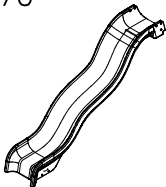
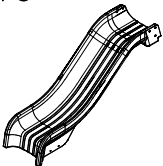
WALL OPTIONS		
706448	706448-701	BLUE
	706448-702	YELLOW
10x640x1003	706448-703	LIME
	706448-704	DARK GRAY
	706448-705	LIGHT GRAY
	706448-706	RED
	706448-707	GREEN
	706448-708	FUXIA
WALL OPTIONS		
706898	706898	DARK GRAY
		
10x150x1003		









SLIDE OPTIONS

<p>+1470</p> 	<p>904451 GRAY 904847 YELLOW</p>	
<p>+870</p> 	<p>905833 GRAY 905834 YELLOW</p>	

WALL OPTIONS

<p>RIGHT</p> 	<p>706560-701 BLUE 706560-702 YELLOW 706560-703 LIME 706560-704 DRARK GRAY 706560-705 LIGHT GRAY 706560-706 RED 706560-707 GREEN 706560-708 FUXIA</p>	<p>LEFT</p> 	<p>706561-701 BLUE 706561-702 YELLOW 706561-703 LIME 706561-704 DRARK GRAY 706561-705 LIGHT GRAY 706561-706 RED 706561-707 GREEN 706561-708 FUXIA</p>
---	--	---	--

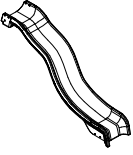
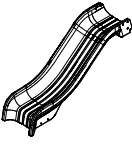
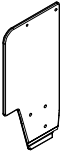


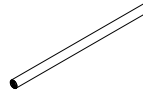
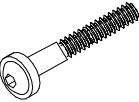

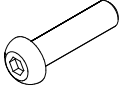
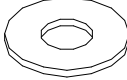

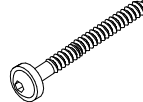

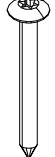

LAPPSET

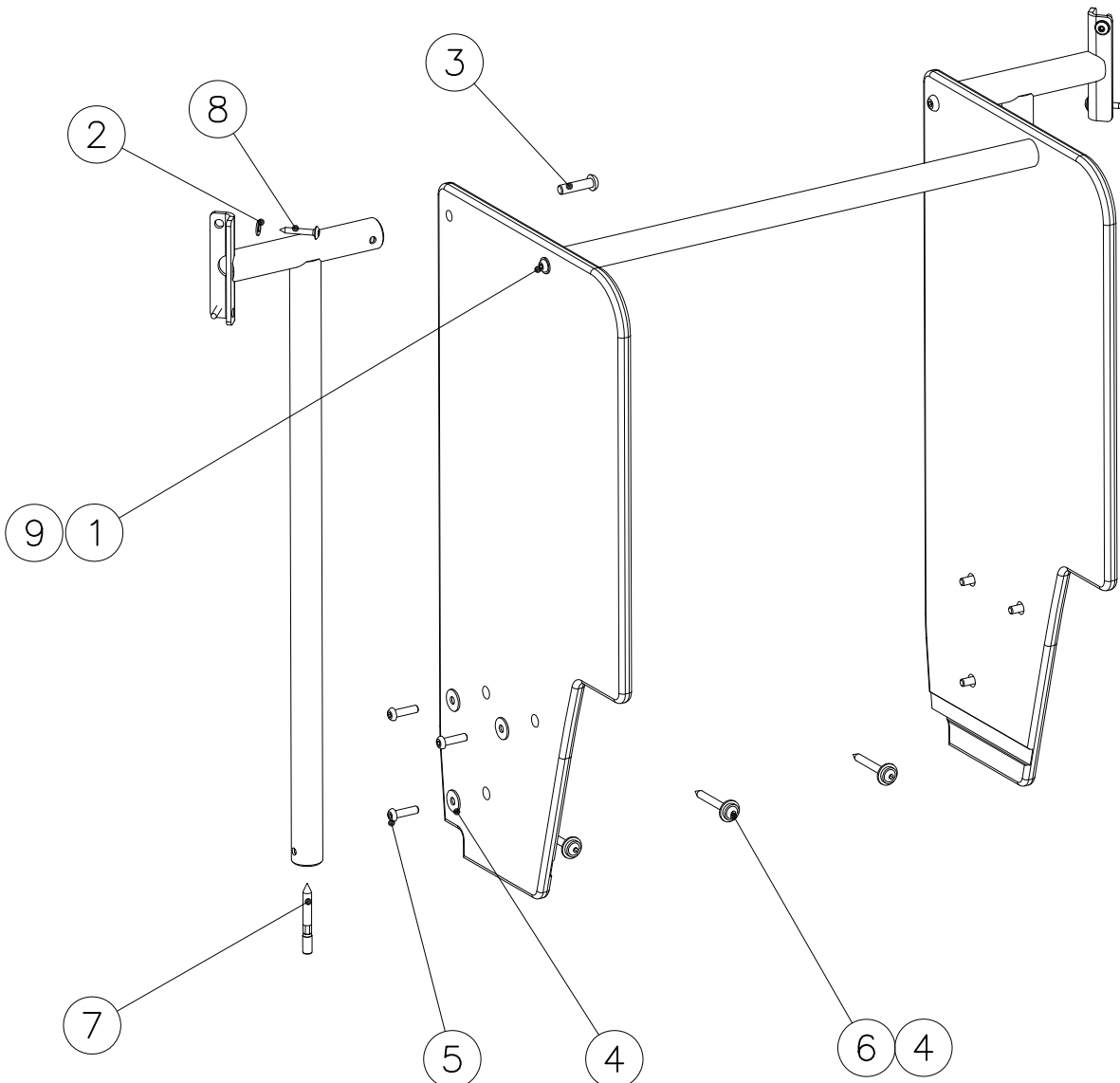
SURFACE FOUNDATION

DIAGONAL SLIDE PLASTIC

DATE: 21.9.2016

2(5)

○ SLIDE  +1470	PCS 1	○ SLIDE  +870	PCS 1	○ 706560  RIGHT	PCS 1	○ 706561  LEFT	PCS 1	○ 907692  Ø34x598	PCS 2	○ 901868  Ø34x598	PCS 1
① 909876  M8x40	PCS 2	② 909256  Ø16/8.4	PCS 4	③ 907727  M10x40	PCS 2	④ 980152  Ø24/8.4	PCS 9	⑤ 909852  M8x30	PCS 6	⑥ 900240  Ø8x70	PCS 3
⑦ 900727  M10x80	PCS 2	⑧ 980128  Ø7x40	PCS 4	⑨ 999561  GLUE 4101 ergo 10 g 10g	PCS 1						



LAPPSET

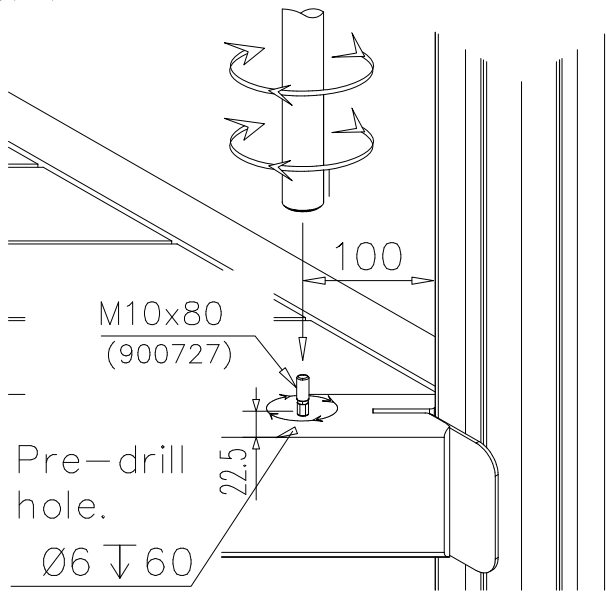
SURFACE FOUNDATION

DIAGONAL SLIDE PLASTIC

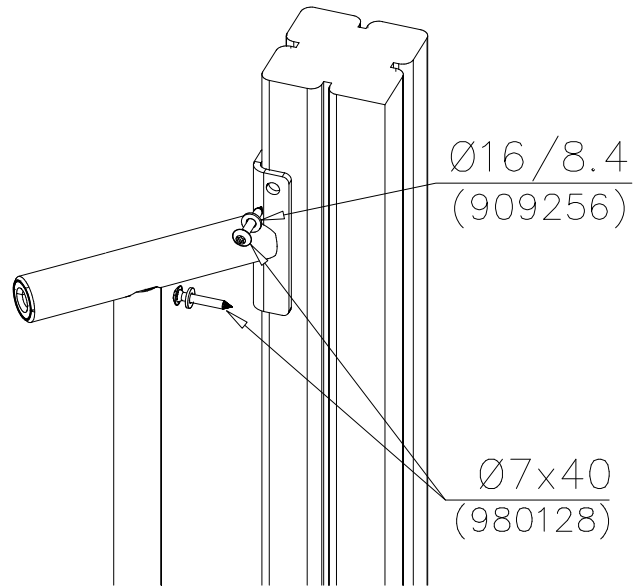
DATE: 21.9.2016

3(5)

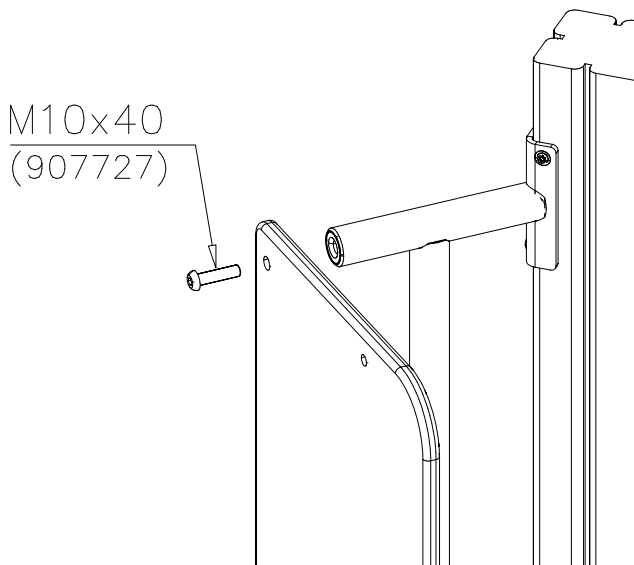
DET 1



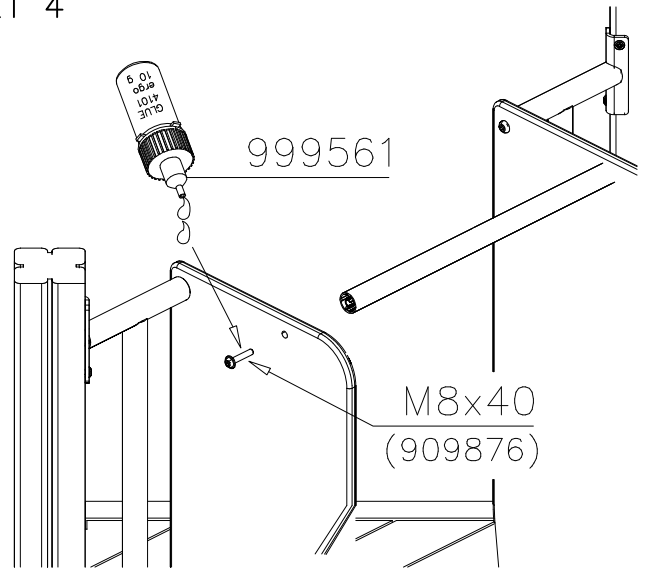
DET 2



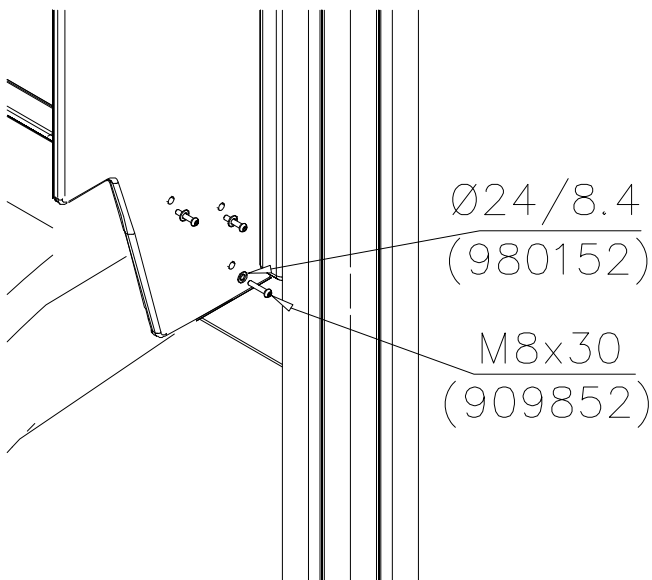
DET 3



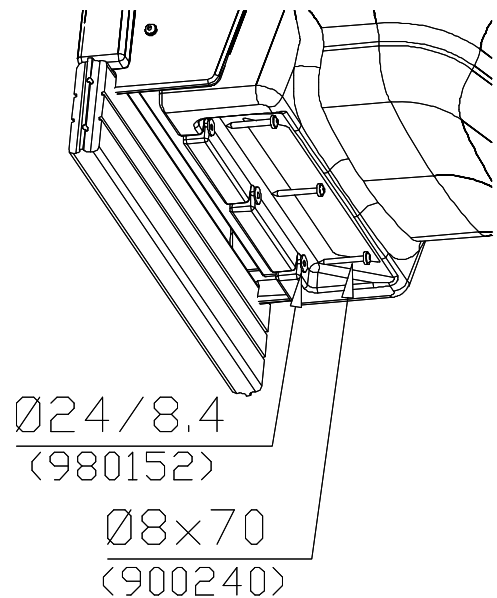
DET 4

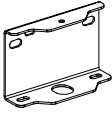
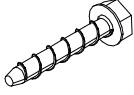





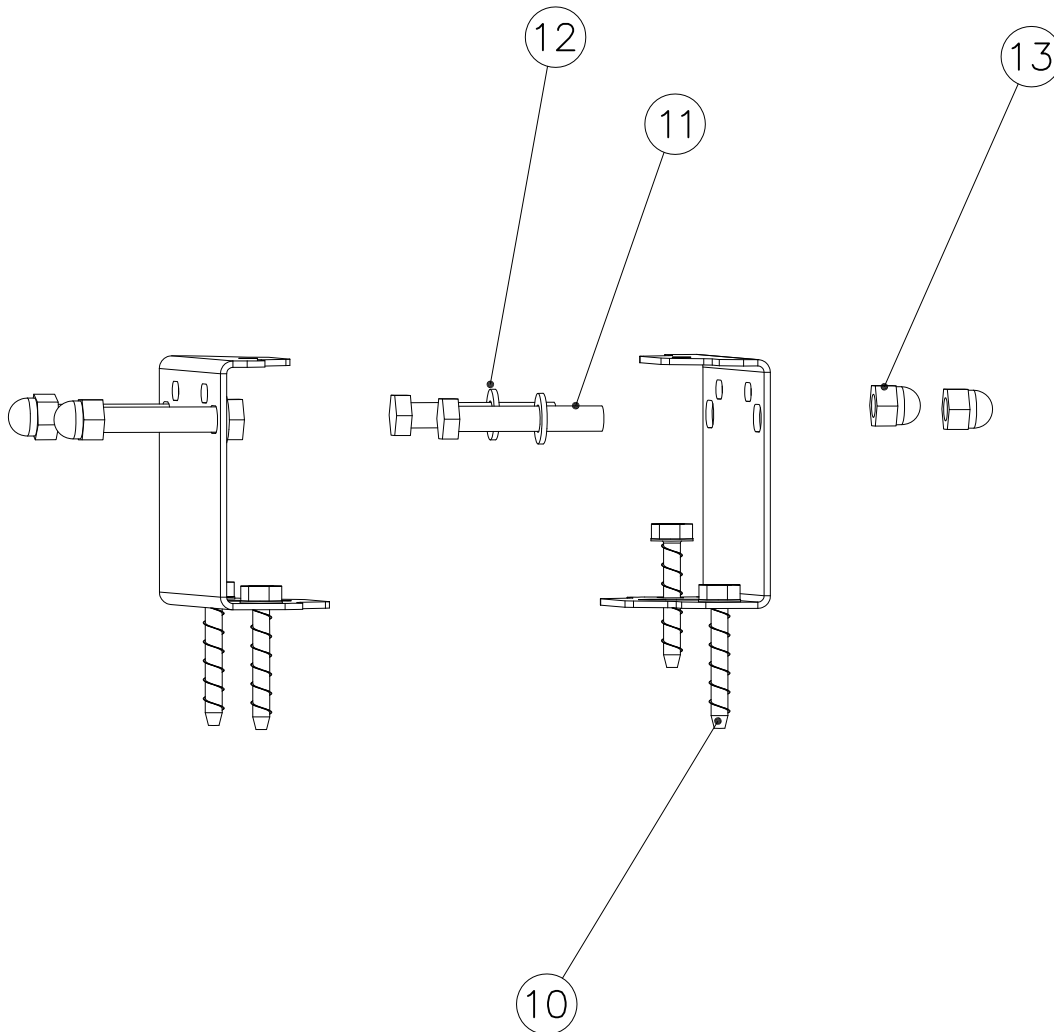
DET 5



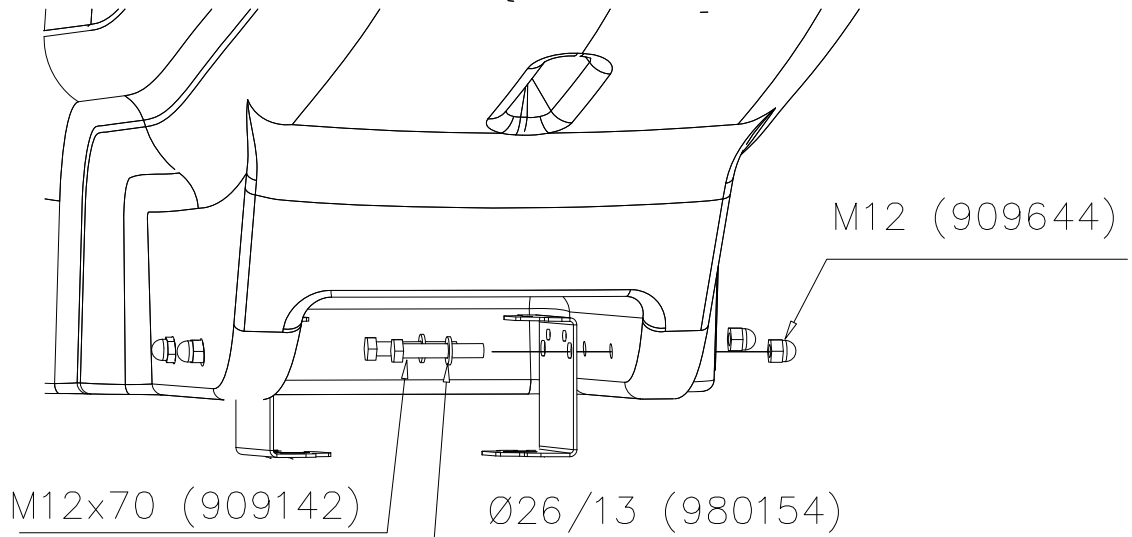
DET 6



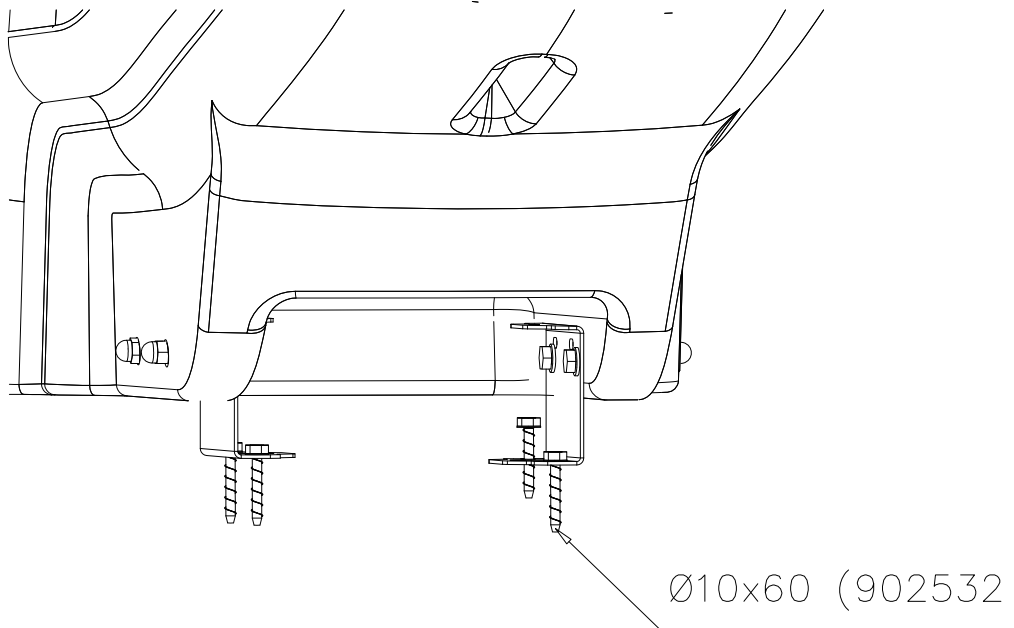
○ 908021	PCS 2	○ 10 902532	PCS 4	○ 11 909142	PCS 4	○ 12 980154	PCS 4	○ 13 909644	PCS 4
									
		Ø10x60		M12x70		Ø24/13		M12	

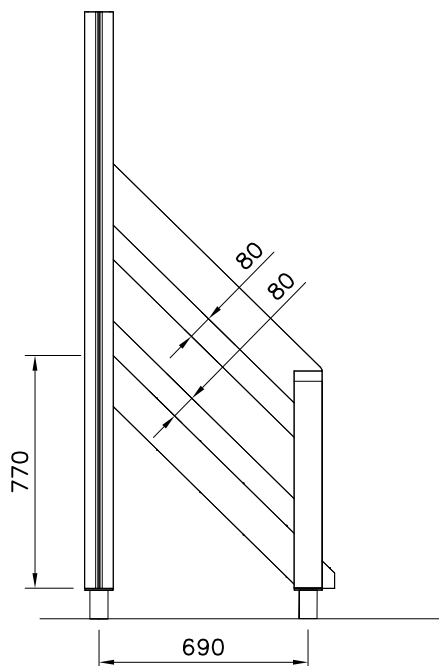
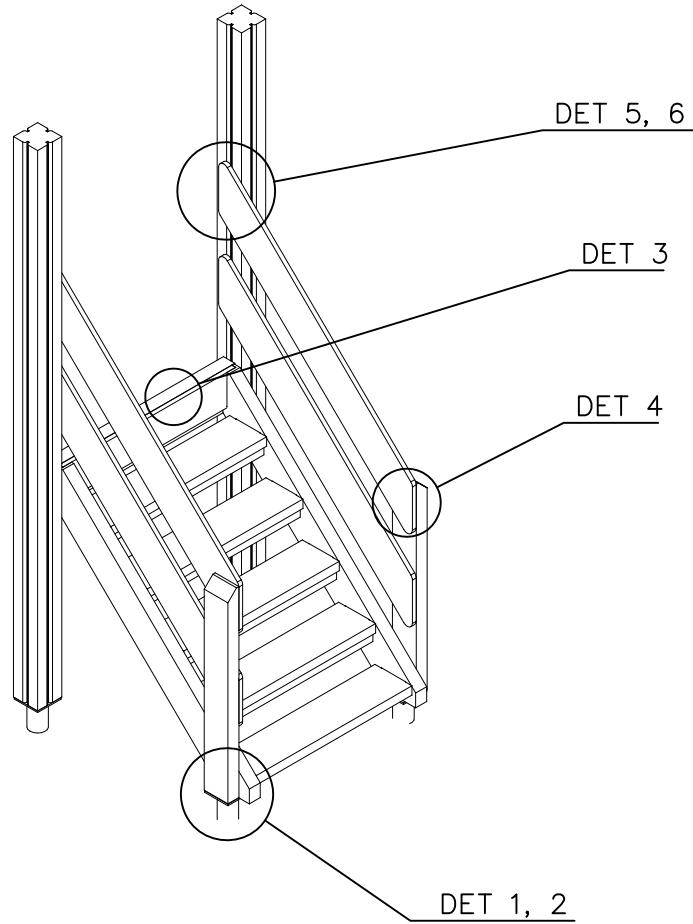


DET 7

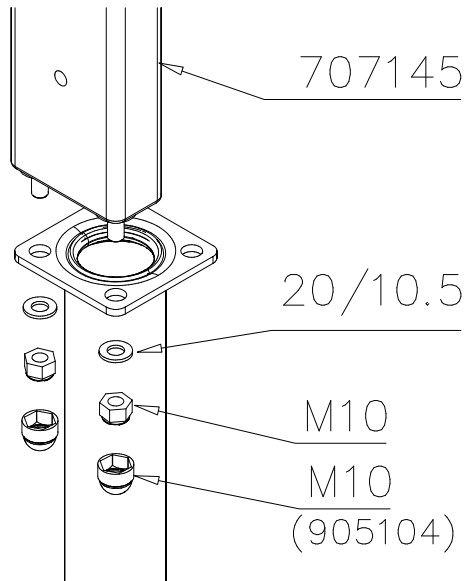


DET 8





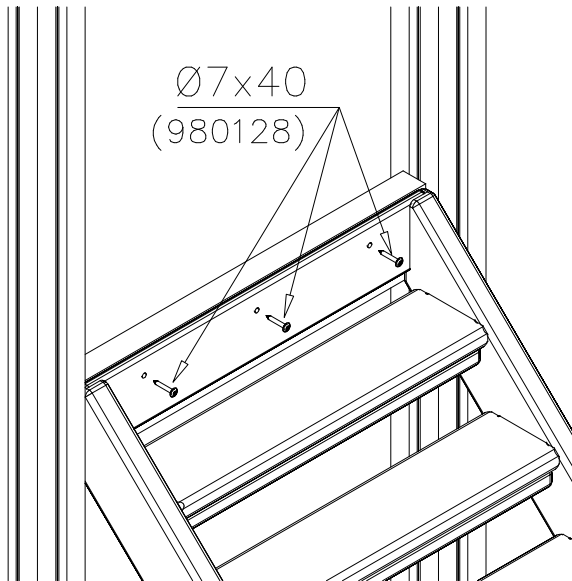
DET 1



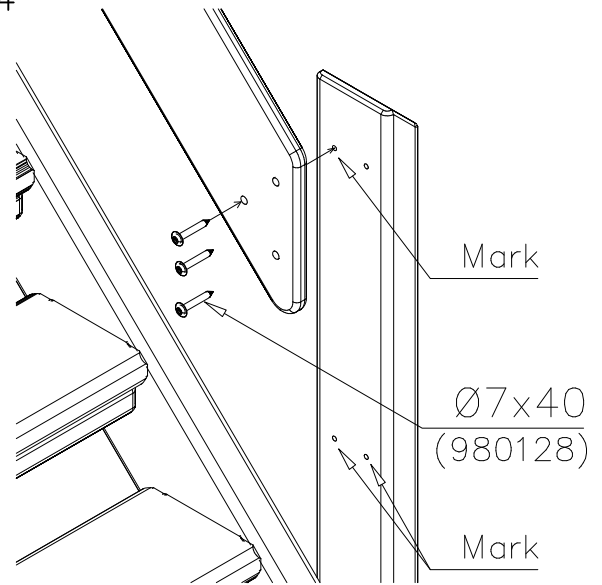
DET 2



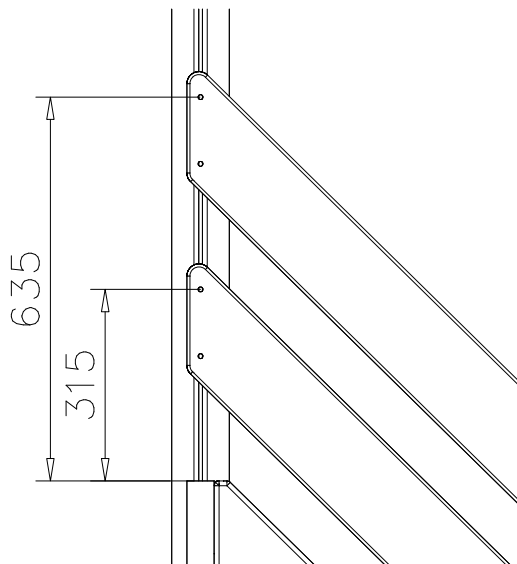
DET 3



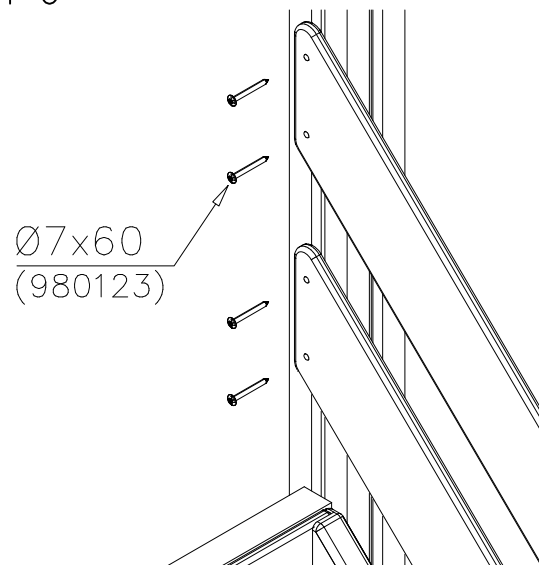
DET 4

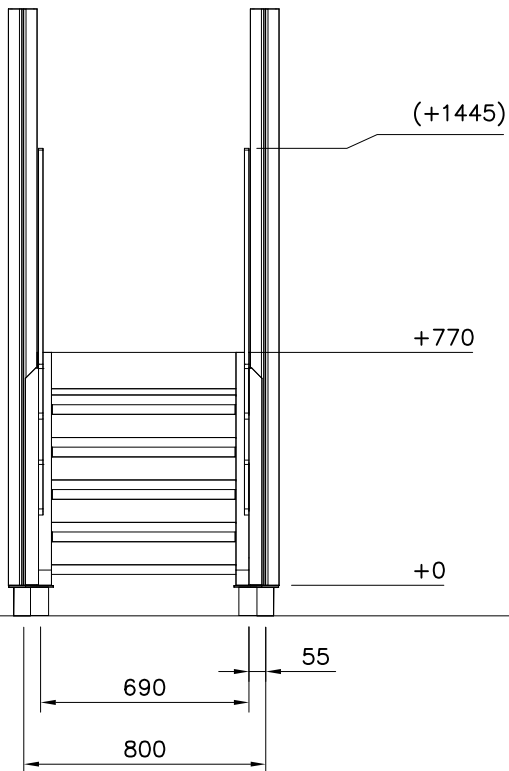


DET 5




DET 6







STAIRS OPTIONS +870

707191 	707191-602 DARK BROWN 707191-603 LIGHT BROWN 707191-604 LIGHT GRAY	
---	--	--

RAILING OPTIONS




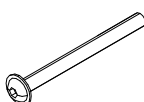

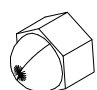
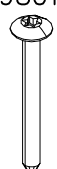


RAILS 707146  15x145x1153	707146-701 BLUE 707146-702 YELLOW 707146-703 LIME 707146-704 DARK GRAY 707146-705 LIGHT GRAY 707146-706 RED	707146-707 GREEN 707146-708 FUXIA
---	--	--------------------------------------

POST 707145  43x93x717	707145-602 DARK BROWN 707145-603 LIGHT BROWN 707145-604 LIGHT GRAY	
---	--	--

POST OPTIONS

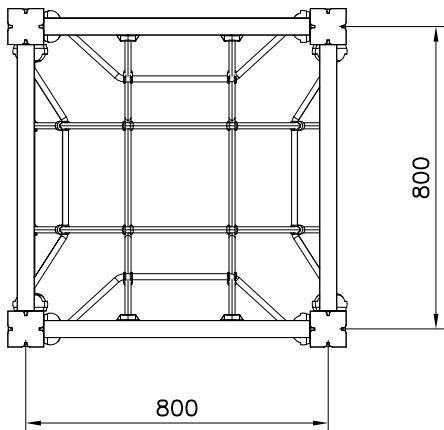
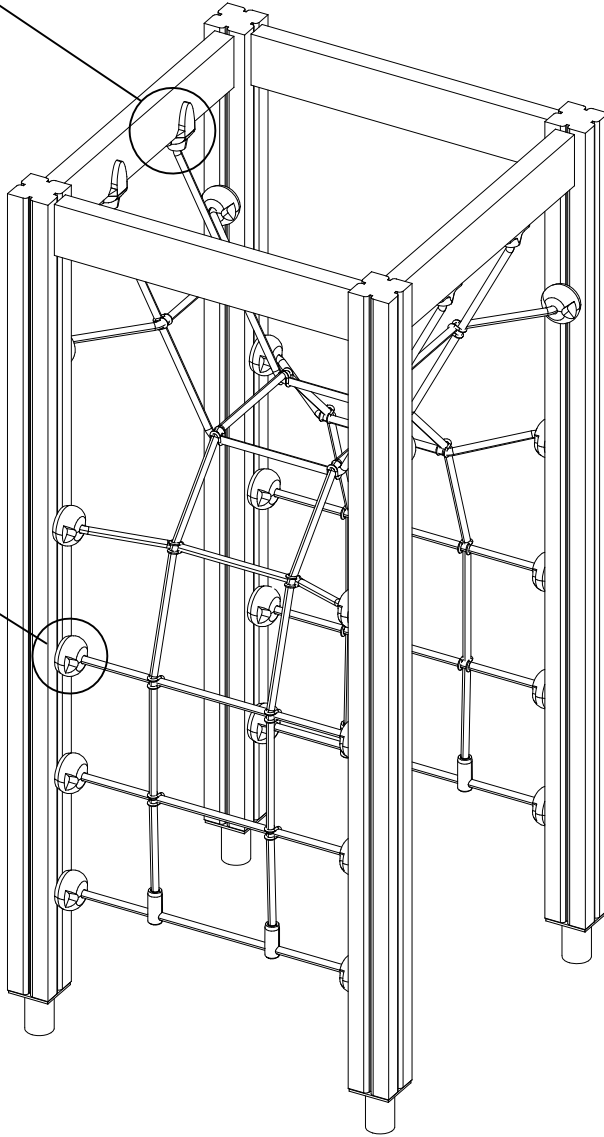
--	--	--

--	--	--

① 707191  +870	PCS 1	② 707145  43x93x717	PCS 2	③ 707146  15x145x1153	PCS 4	④ 900859  M8x90	PCS 2	⑤ 905104  M10	PCS 4	⑥ 909633  M8	PCS 2
⑦ 980123  Ø7x60	PCS 8	⑧ 980128  Ø7x40	PCS 15	⑨ 980152  Ø24/8.4x2	PCS 2		PCS		PCS		PCS

DET 1

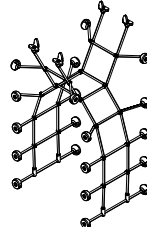
DET 2



① 707341 1520x705	PCS 1	② 900240 Ø8x70	PCS 40
③ 980123 Ø7x60	PCS 8	④ 980128 Ø7x40	PCS 4
	PCS		PCS
	PCS		PCS
	PCS		PCS
	PCS		PCS

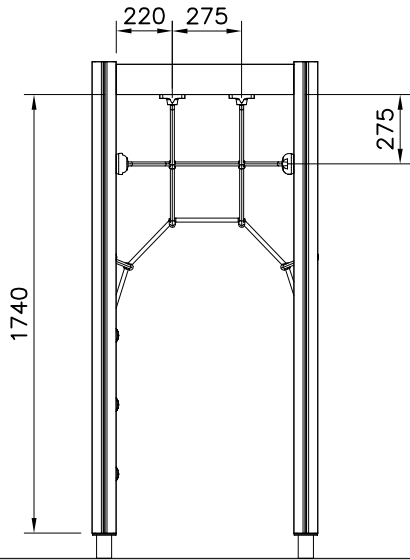
NET OPTIONS

707341

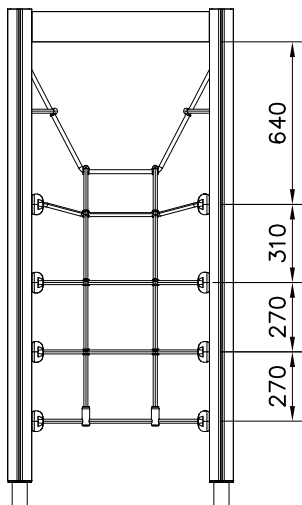
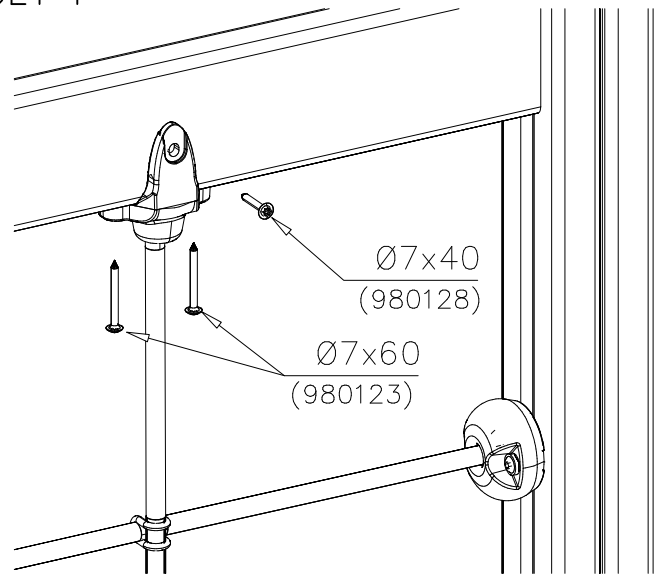


1520x705

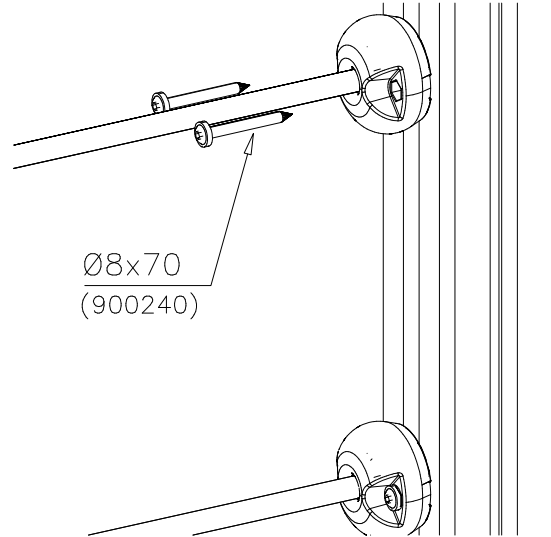
- 707341-301 BLUE
- 707341-302 RED
- 707341-303 BEIGE
- 707341-304 GREY
- 707341-305 BLACK

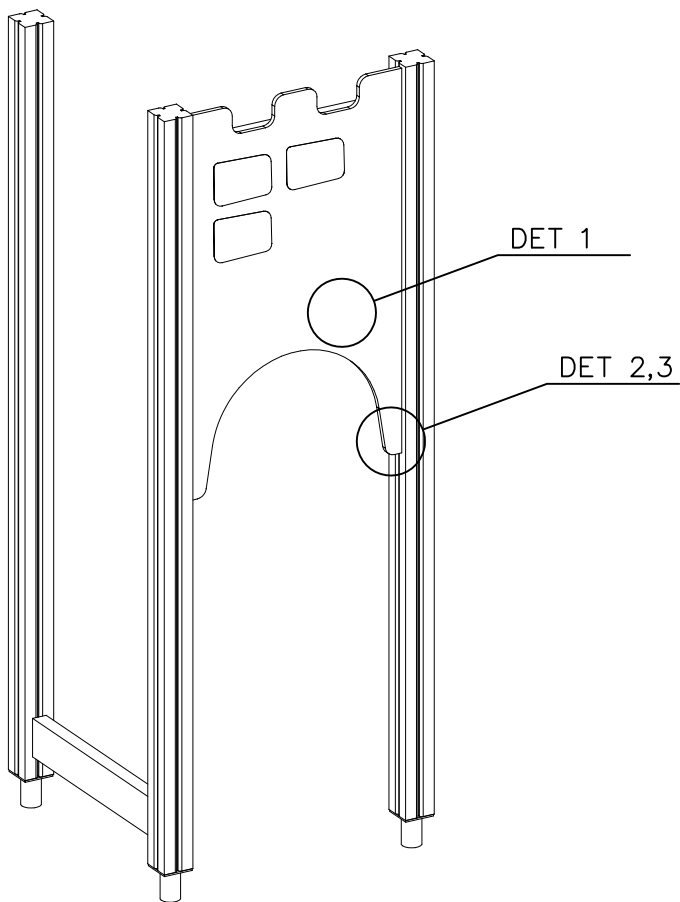



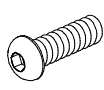
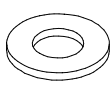
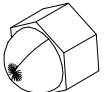


DET 1



DET 2

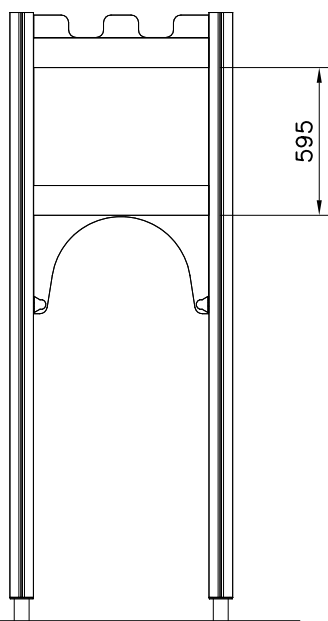




① 903215	PCS	② 909852	PCS
	2		2
		M8x30	
③ 909256	PCS	④ 909633	PCS
	4		2
Ø16/8.4x1.6		M8	
⑤ 980123	PCS	⑥ 980128	PCS
	2		6
Ø7x60		Ø7x40	

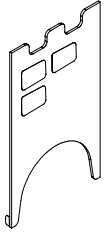
COLOR OPTIONS

-605	DARK GRAY
-606	LIGHT GRAY
-607	RED
-608	BLUE
-610	YELLOW
-611	LIME
-609	GREEN
-612	FUXIA



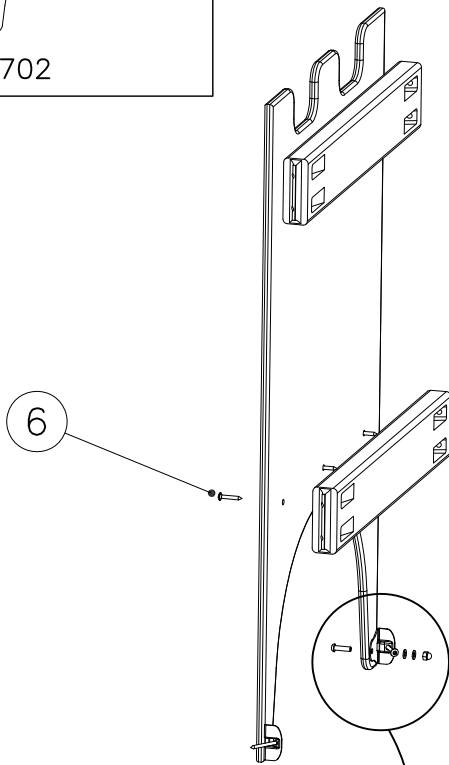
WALL OPTIONS

707470

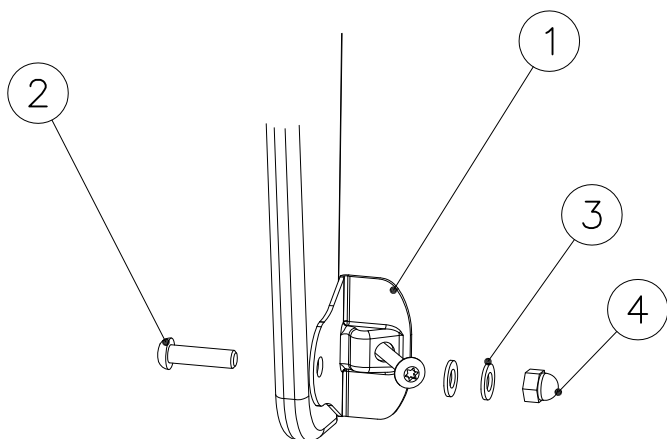


1200x702

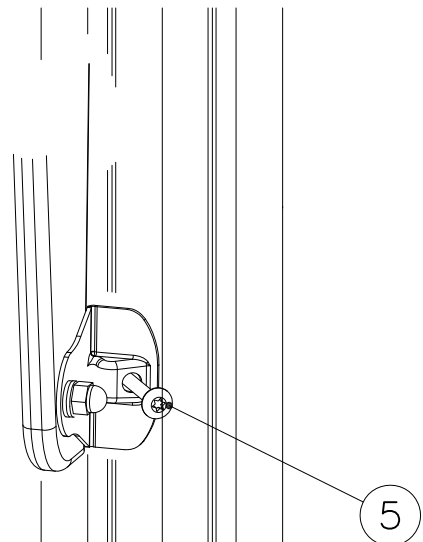
DET 1



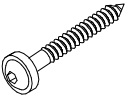
DET 2

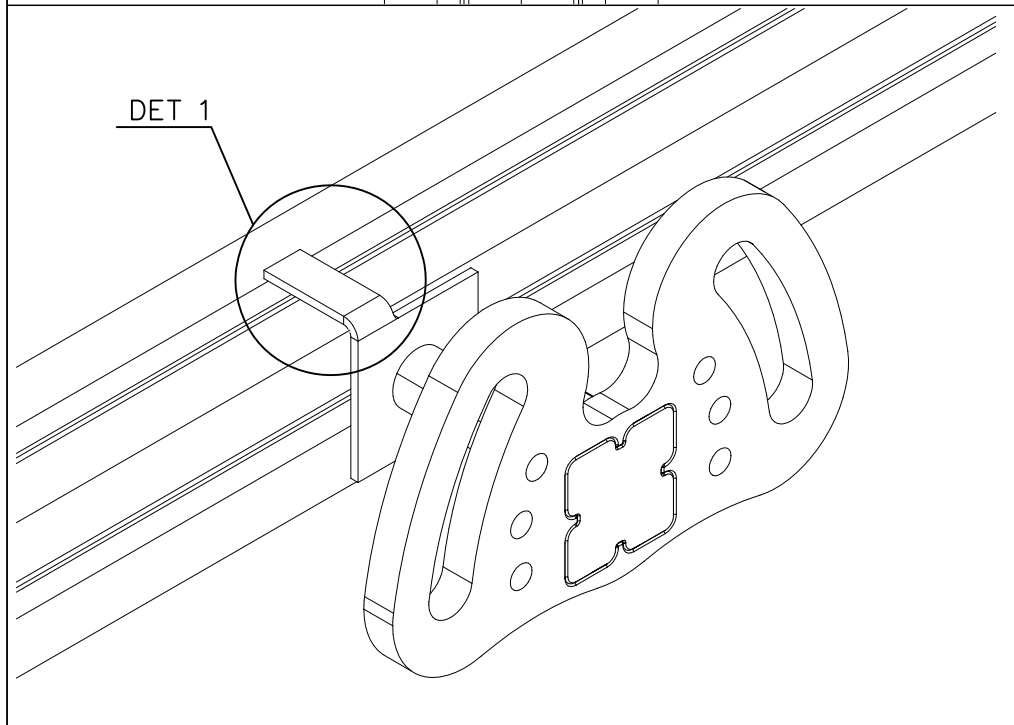


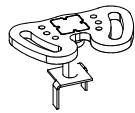
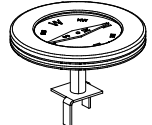
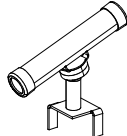
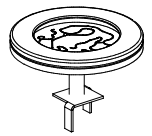
DET 3

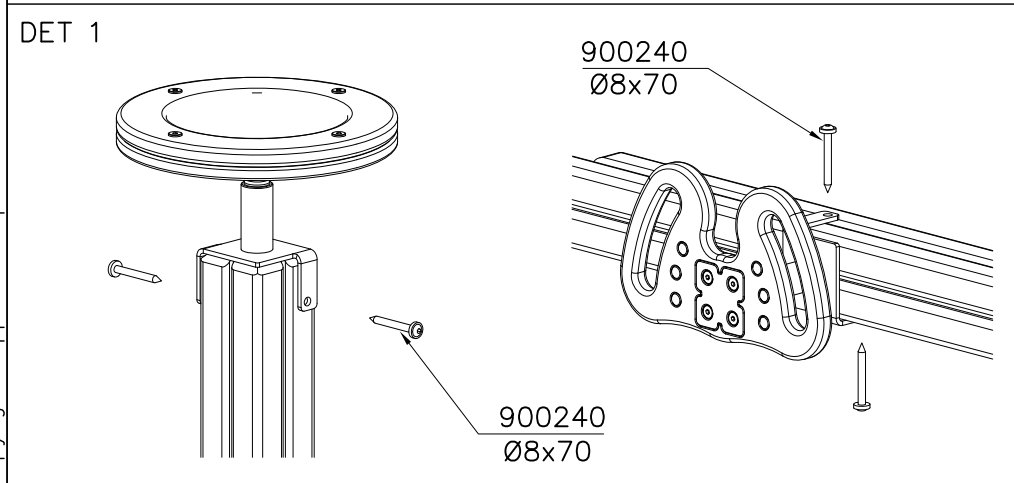




① 900240	PCS		PCS
	2		
Ø8x70			
	PCS		PCS
	PCS		PCS

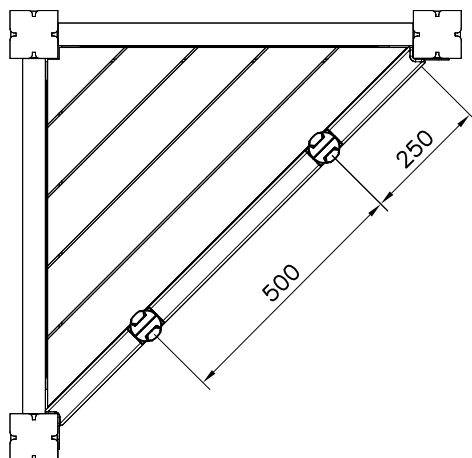
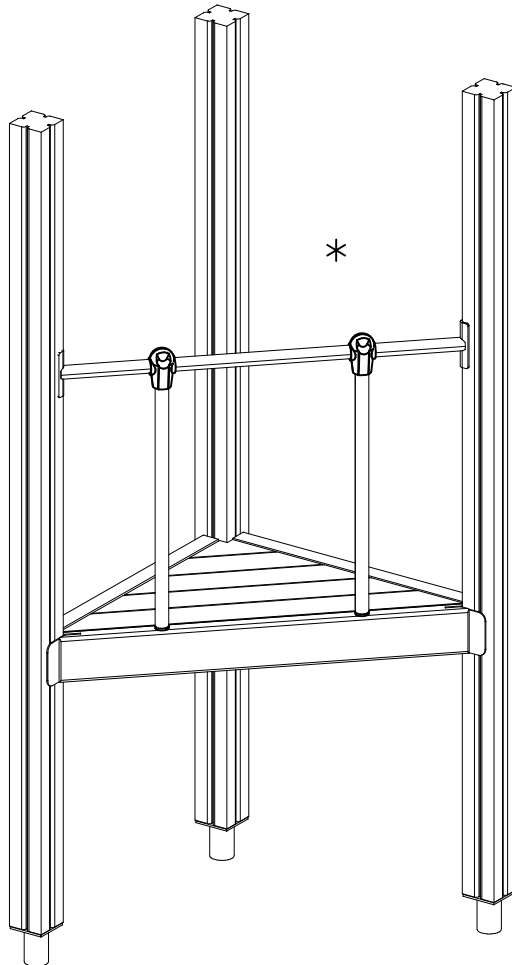






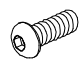
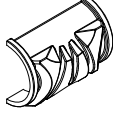


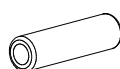




○ 707302	PCS	○ 707303	PCS
	1		1
○ 707304	PCS	○ 707305	PCS
	1		1
	PCS		PCS



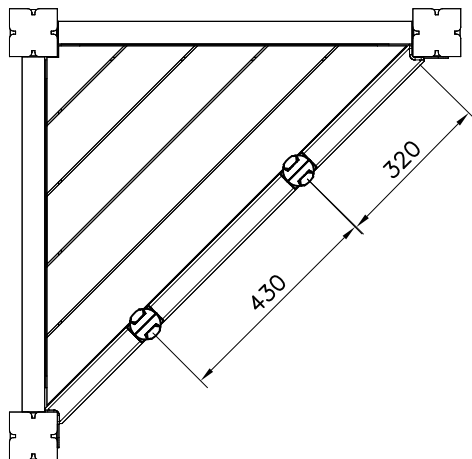
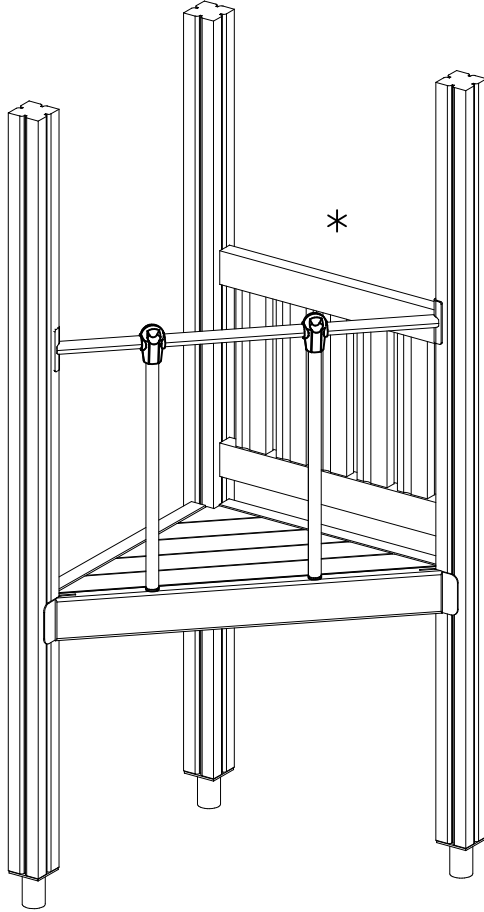
	PCS		PCS
	PCS		PCS

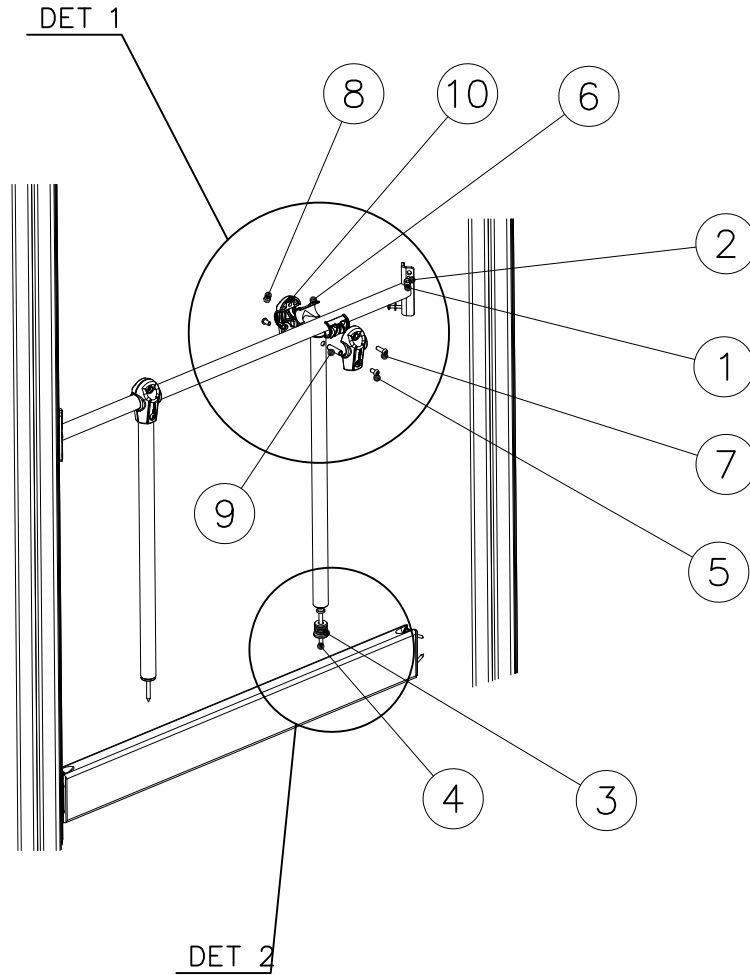
OPTION 1. No wall on the sides



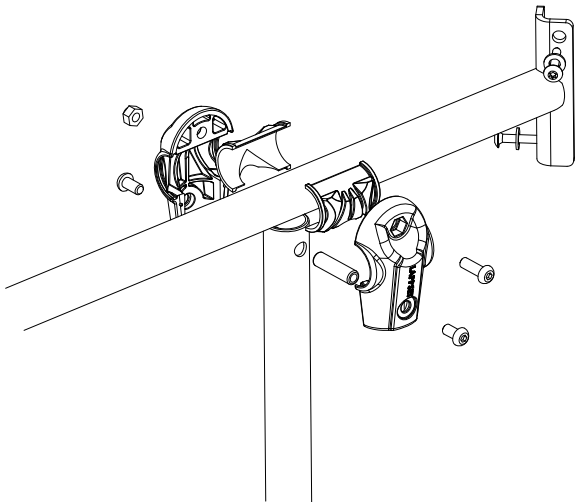
①	980128	PCS	②	909256	PCS
		4			4
	93x93x2150			Ø16/8.4	
③	908057	PCS	④	903093	PCS
		2			2
	Ø32/29-L5/30			Ø8x90	
⑤	900342	PCS	⑥	901900	PCS
		4			4
	M8x16			20.5x36.2x56	
⑦	909850	PCS	⑧	980150	PCS
		2			2
	M8x25			M8	
⑨	901182	PCS	⑩	901902	PCS
		2			4
	Ø11/M8x40			30.7x60.9x100	
		PCS			PCS
		PCS	○	908044	PCS
					2
				Ø33.7x679	
○	911529	PCS	○	907920	PCS
		1			1
		OR			

OPTION 2. Wall on either side (move vertical bar 70mm)

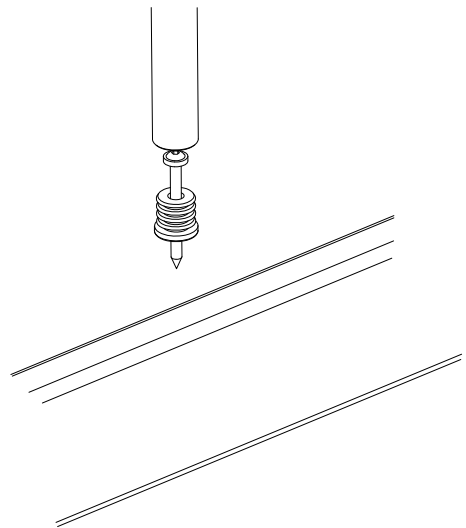




DET 1



DET 2

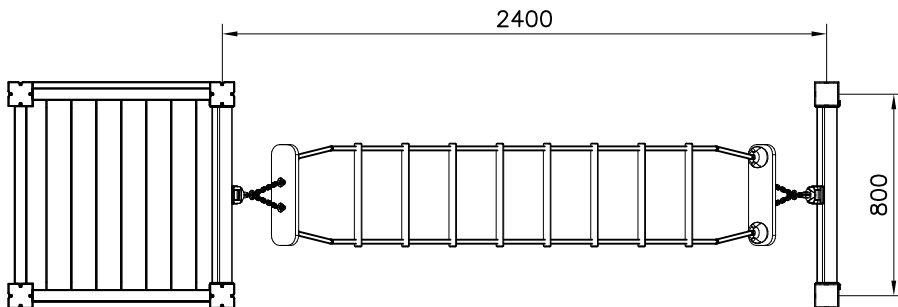
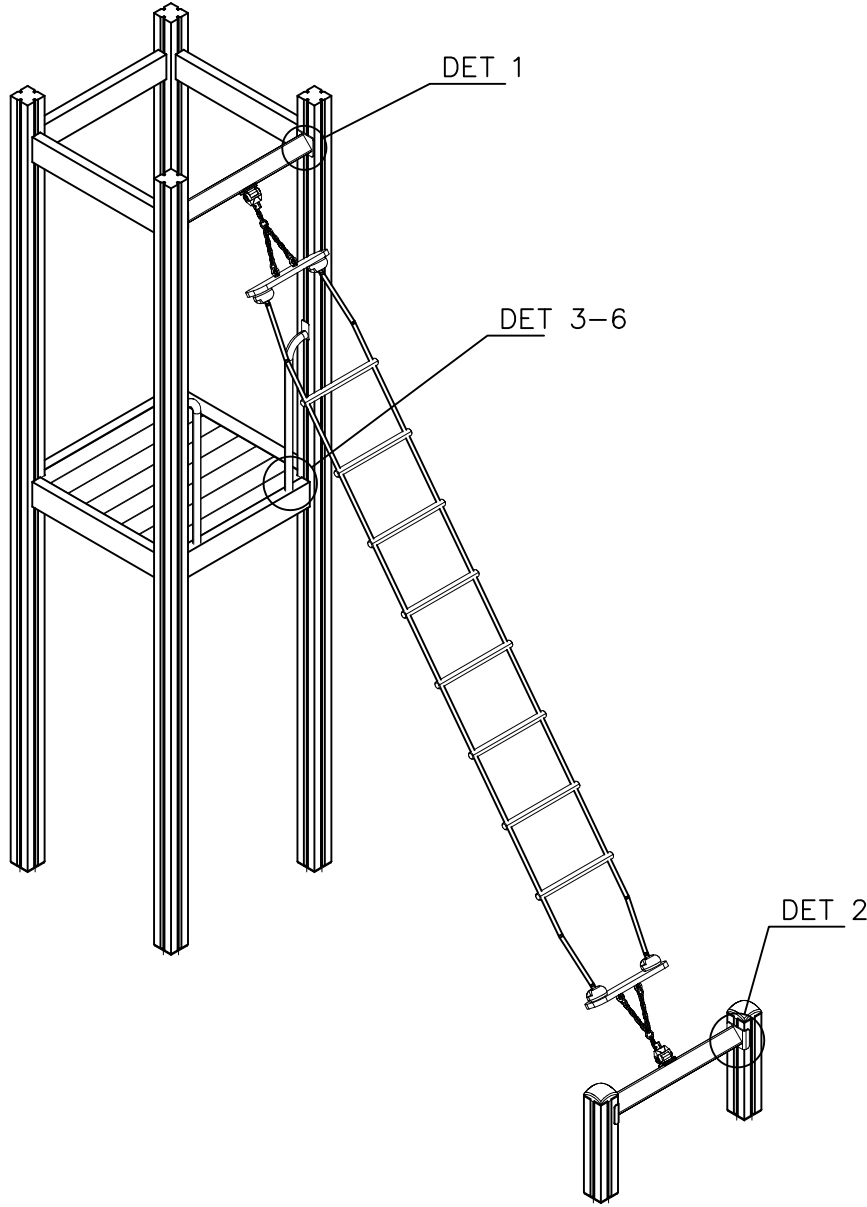




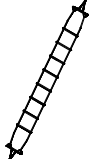
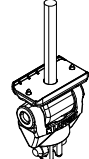
LAPPSET® FASTENER KIT

707652

DATE: 23.3.2016

1(4)



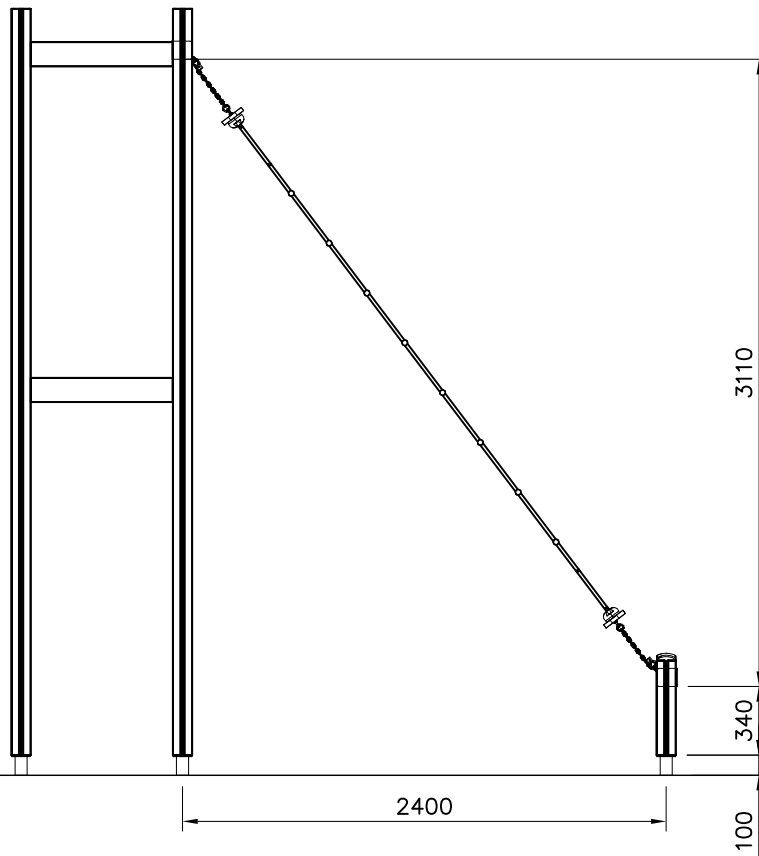
① 900240	PCS 10	② 900727	PCS 2
			
Ø8x70		M10x80	
	PCS		PCS
	PCS		PCS
	PCS		PCS
	PCS		PCS
○ 707113	PCS 1	○ 904904	PCS 2
			
	PCS		PCS
	PCS		PCS
	PCS		PCS
	PCS		PCS
	PCS		PCS

LAPPSET® FASTENER KIT

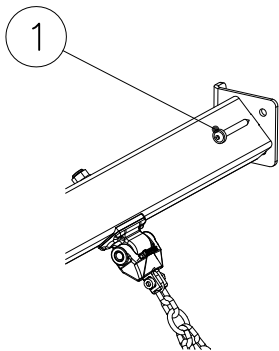
707652

DATE: 23.3.2016

2(4)

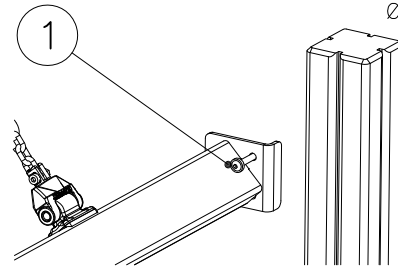


DET 1



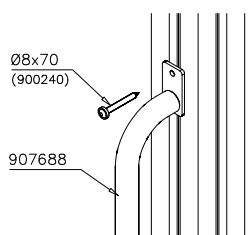
NOTE:
Pre-Drill hole
for screw
Ø5 √50

DET 2

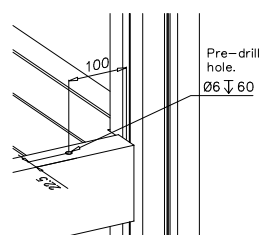


NOTE:
Pre-Drill hole
for screw
Ø5 √50

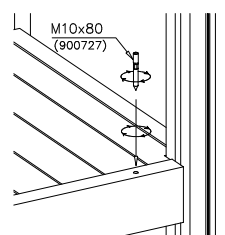
DET 3



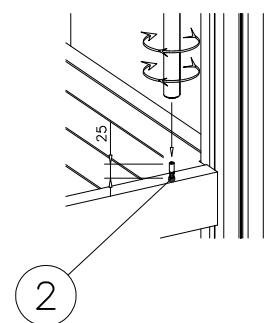
DET 4



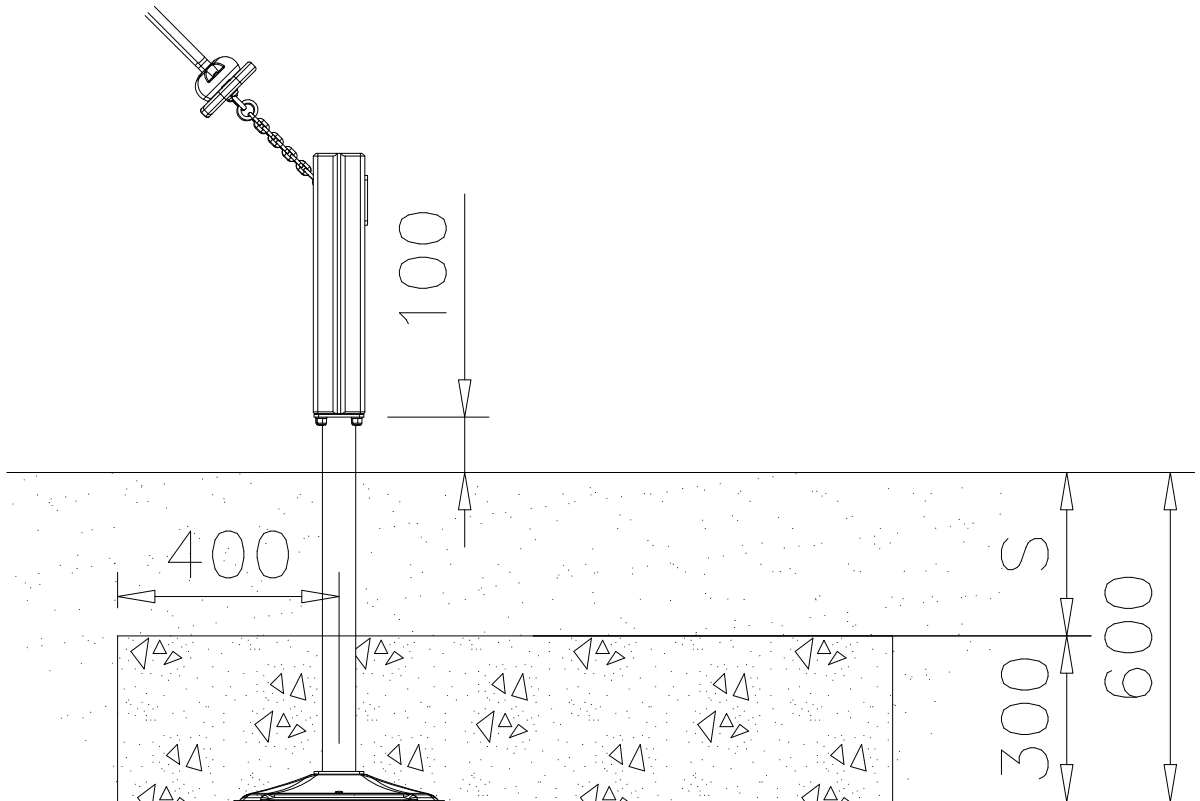
DET 5



DET 6

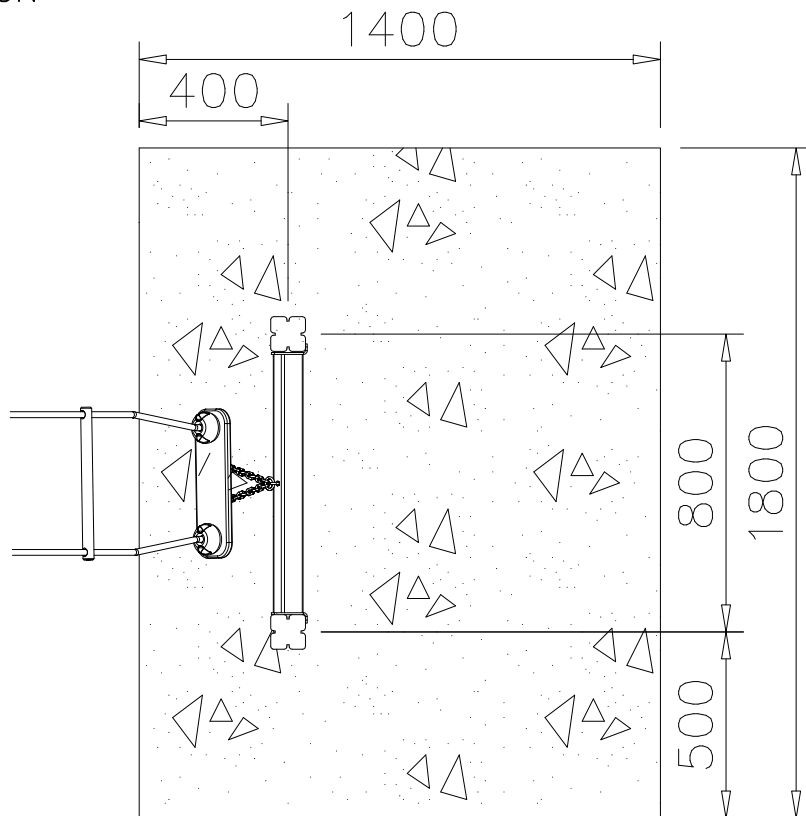


DEEP FOUNDATION



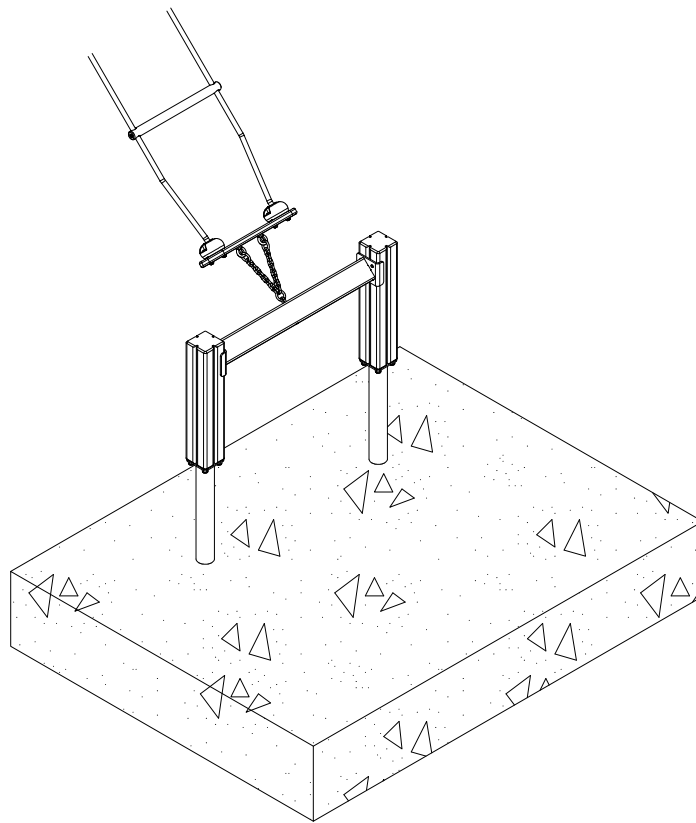
CONCRETE: 300x1400x1800

DEEP FOUNDATION



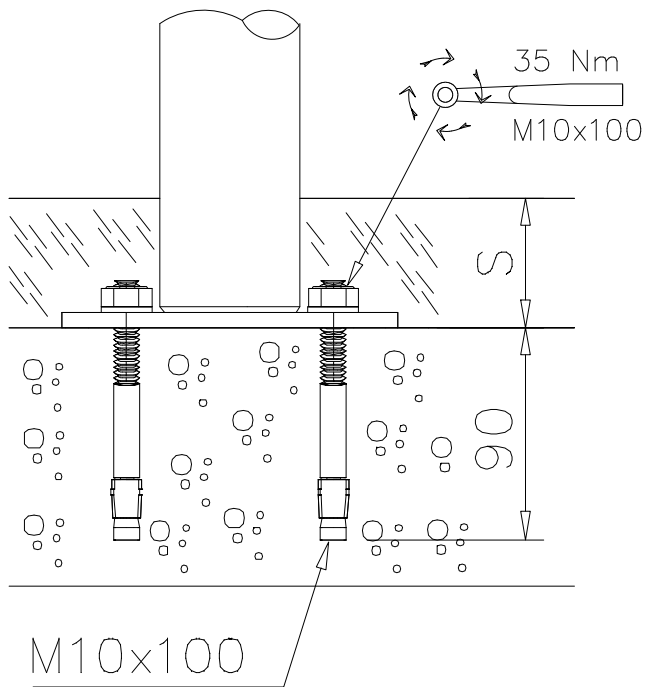
CONCRETE: 300x1400x1800

DEEP FOUNDATION



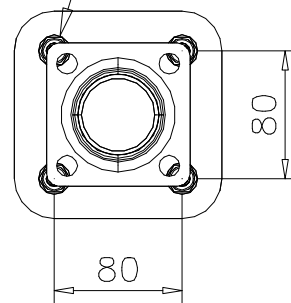
CONCRETE: 300x1400x1800

SURFACE FOUNDATION

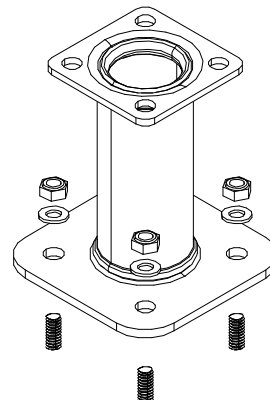


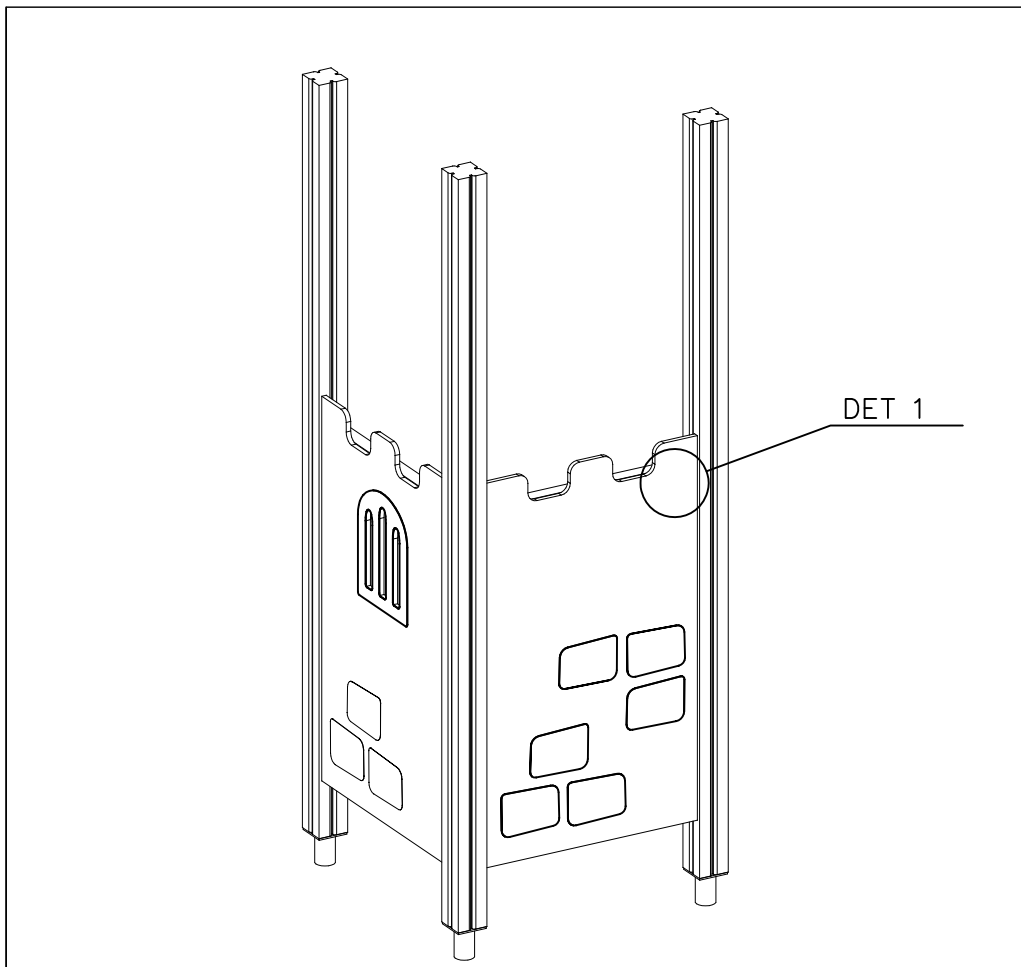
SURFACE FOUNDATION


Pre-drill hole
 $\varnothing 10 \downarrow 90$ (x4)

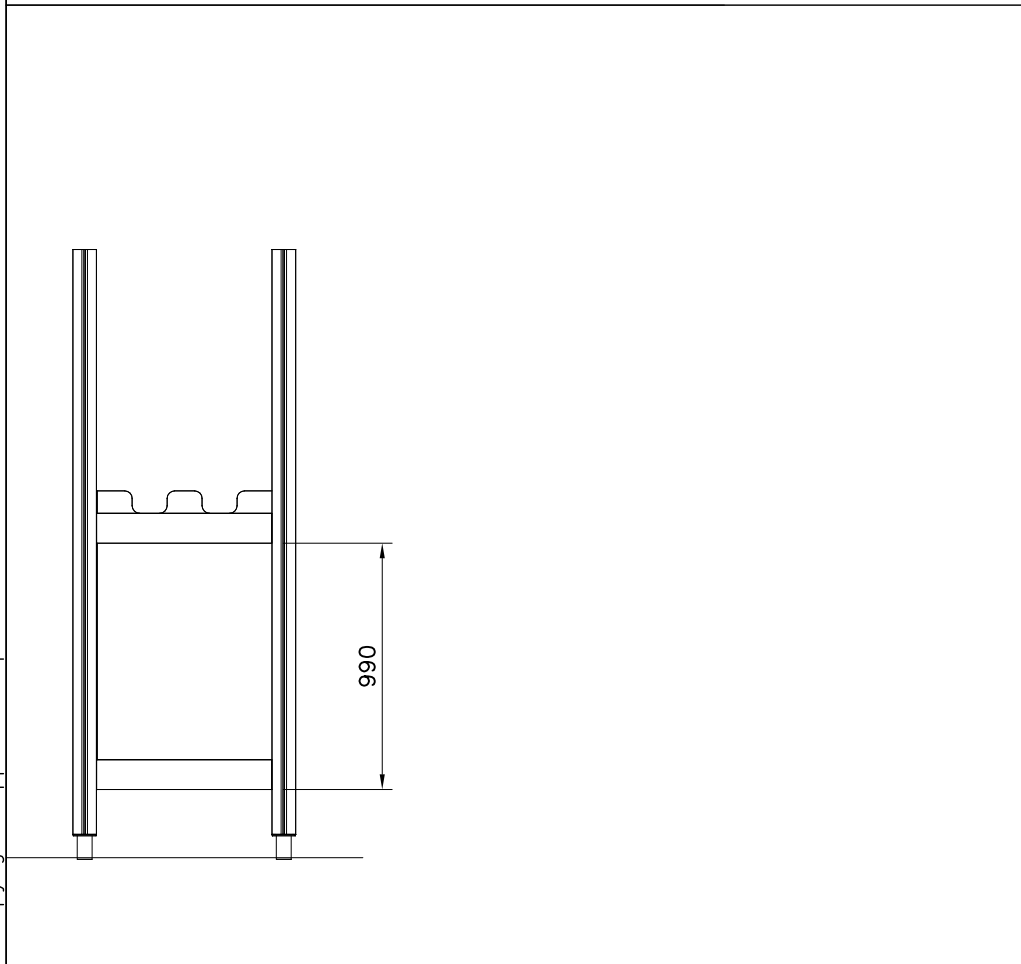


SURFACE FOUNDATION





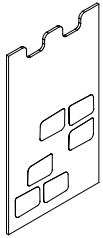
① 980128	PCS		PCS
	6		
Ø7x40			
	PCS		PCS
	PCS		PCS



COLOR OPTIONS	
-605	DARK GRAY
-606	LIGHT GRAY
-607	RED
-608	BLUE
-610	YELLOW
-611	LIME
-609	GREEN
-612	FUXIA

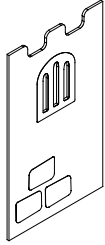
WALL OPTIONS

707462



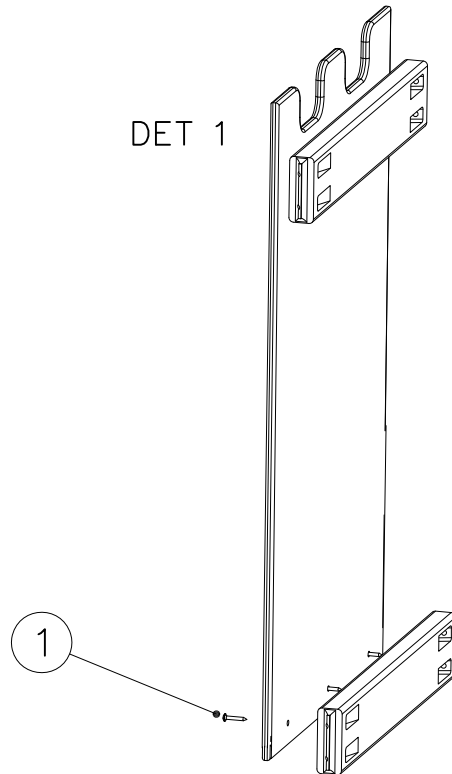
1200x702

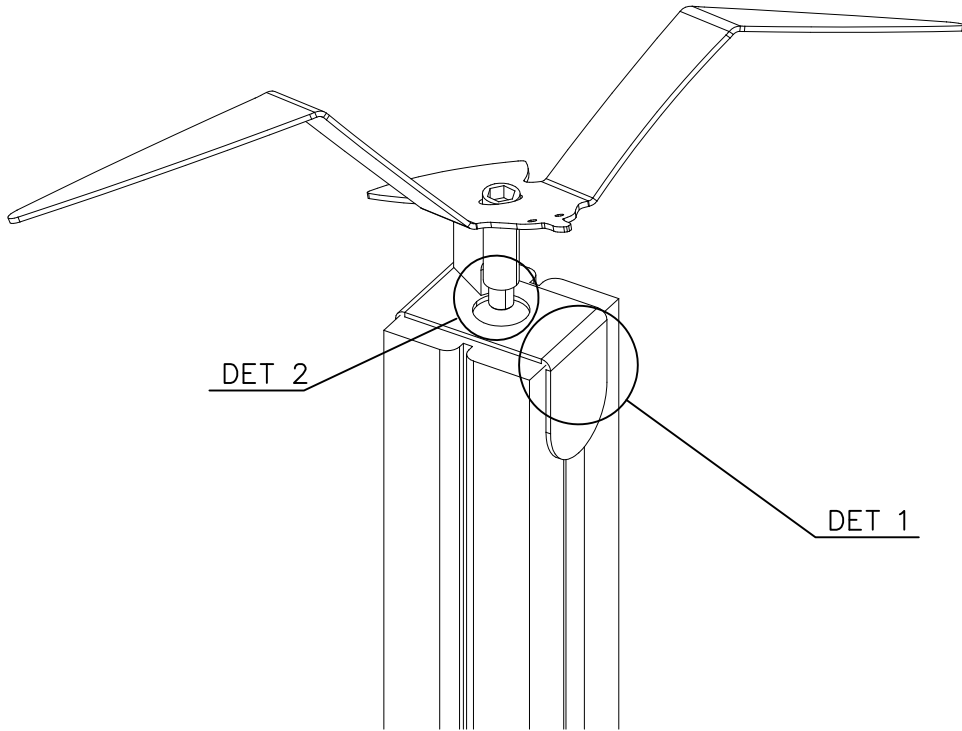
707463

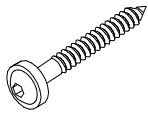

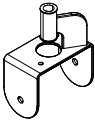

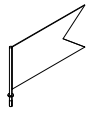



1200x702

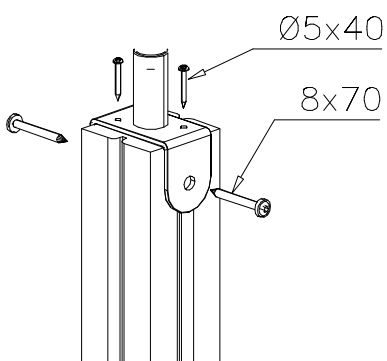
DET 1



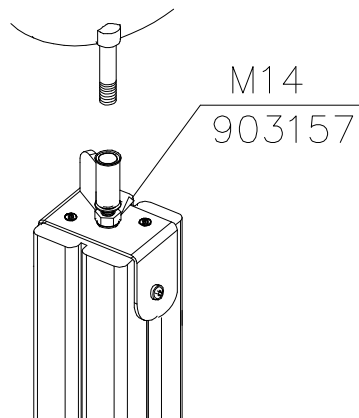


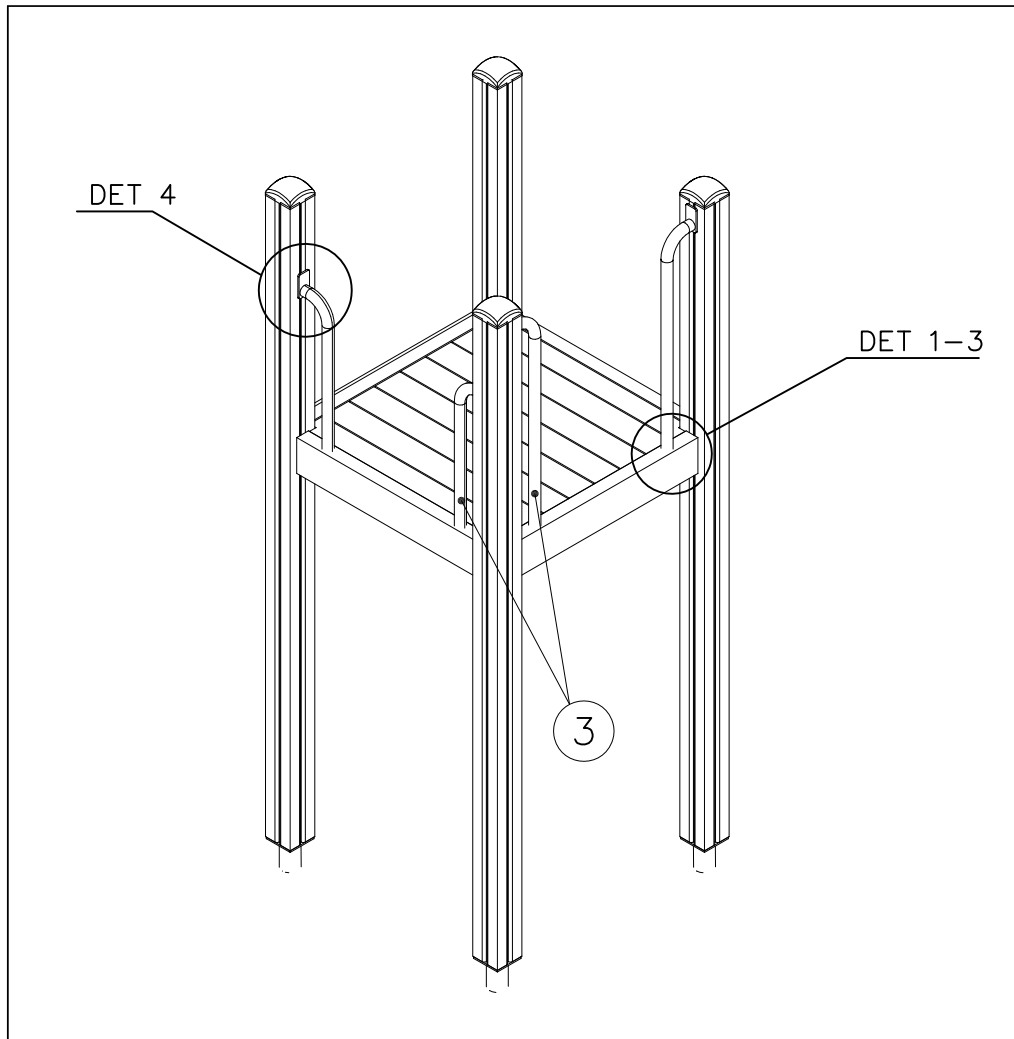
① 900240	PCS	② 980106	PCS
	2		2
Ø8x70		Ø5x40	
③ 907082	PCS		PCS
	1		
Ø8x70			
	PCS		PCS
	PCS		PCS
○ 908357	PCS	○ 900793	PCS
	1		1
○ 903157	PCS		PCS
	1		
M14			
	PCS		PCS
	PCS		PCS

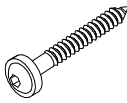



DET 1

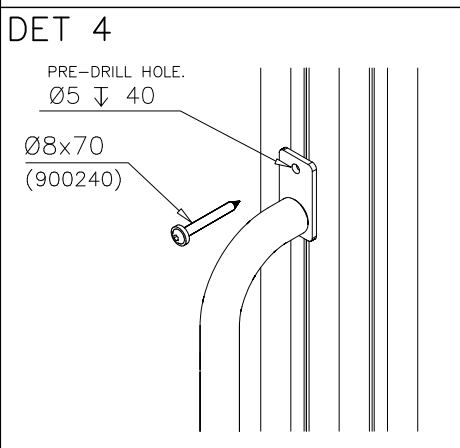
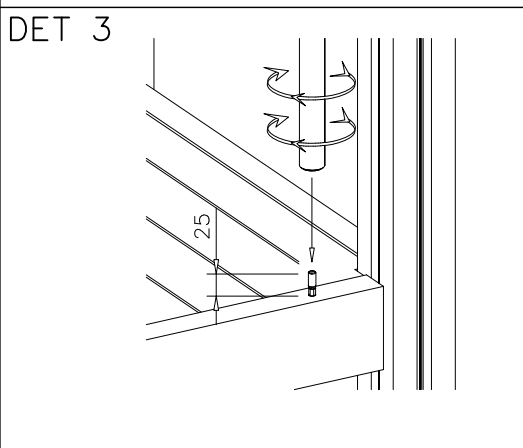
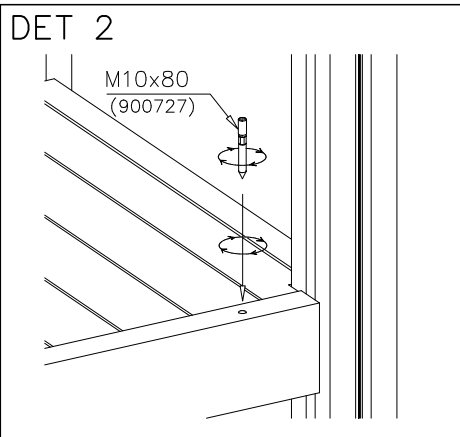
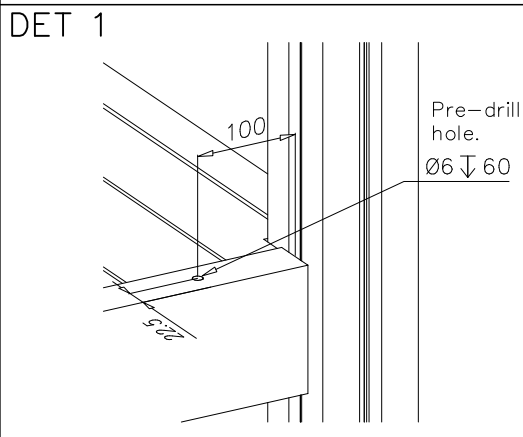


DET 2





① 900240	PCS	② 900727	PCS
	1		1
Ø8x70		M10x80	
	PCS		PCS
③ 907688	PCS	③ 907701	PCS
	1		1
765		545	
	PCS		PCS
	PCS		PCS
	PCS		PCS
	PCS		PCS





Tuotekyltti tulee tuotteen mukana yhdellä seuraavista tavoista:

1) Metallinen tuotekyltti ja kiinnitysruuvit

- Kiinnitä tuotekyltti ruuveilla tolppaan noin 2 metrin korkeuteen kuvan 1 mukaisesti.

2) Tuotekylttitarra

- Puhdista maalattu metalli- tai vaneripinta pölystä ja kosteudesta. Liimaa tarra kuvan 2 mukaisesti.
- Huom. Älä kiinnitä tarraa karheapintaiseen laminaattiin tai maalattuun puuhun.

Vår produktmärkning levereras på ett av följande sätt:

1) Produktskylt i metall

- Fäst skylten med de medföljande skruvarna

2) Självhäftande produktetikett

- Rengör den pulverlackerade metallytan eller laminatyten så att den blir fri från smuts och fukt. Fäst etiketten enligt fig. 2.
- Obs! Fäst ej etiketten på detaljer med skrovlig yta eller på målat trä.

Product label is delivered by one of following ways:

1) Metal product label and screws

- Fasten the label with screws.

2) Label sticker

- Clean the painted metal or plywood surface from dirt and moisture. Fasten the sticker as shown in the figure 2.
- Note. Do not attach the sticker to rough surfaced laminate or painted wood.

La plaque d'informations produit est livrée sous l'une de ces 3 formes :

1) Plaque métallique et vis

- Fixez la plaque à l'aide des vis.

2) Etiquette autocollante

- Avant de coller l'étiquette, nettoyez le composant métallique peint ou la plaque de contreplaqué, de toute saleté. La surface doit être sèche (voir image 2).
- Attention, ne pas coller l'étiquette sur une surface lamellé-collée irrégulière ou sur du bois peint.

Die Auslieferung des Produktaufklebers erfolgt auf eine dieser Arten:

1) Produkt-Schild aus Metall incl. Schrauben

- Die Befestigung des Schildes erfolgt mittels der Schrauben.

2) Aufkleber

- Entfernen Sie zunächst Schmutz und Feuchtigkeit vom lackierten Metall bzw. von der Holzoberfläche und bringen Sie den Aufkleber wie im Bild oben rechts beschrieben auf den gesäuberten Untergrund auf.
- Beachten Sie: Bringen Sie den Aufkleber nicht auf raues laminiertes oder lackiertes Holz an.