

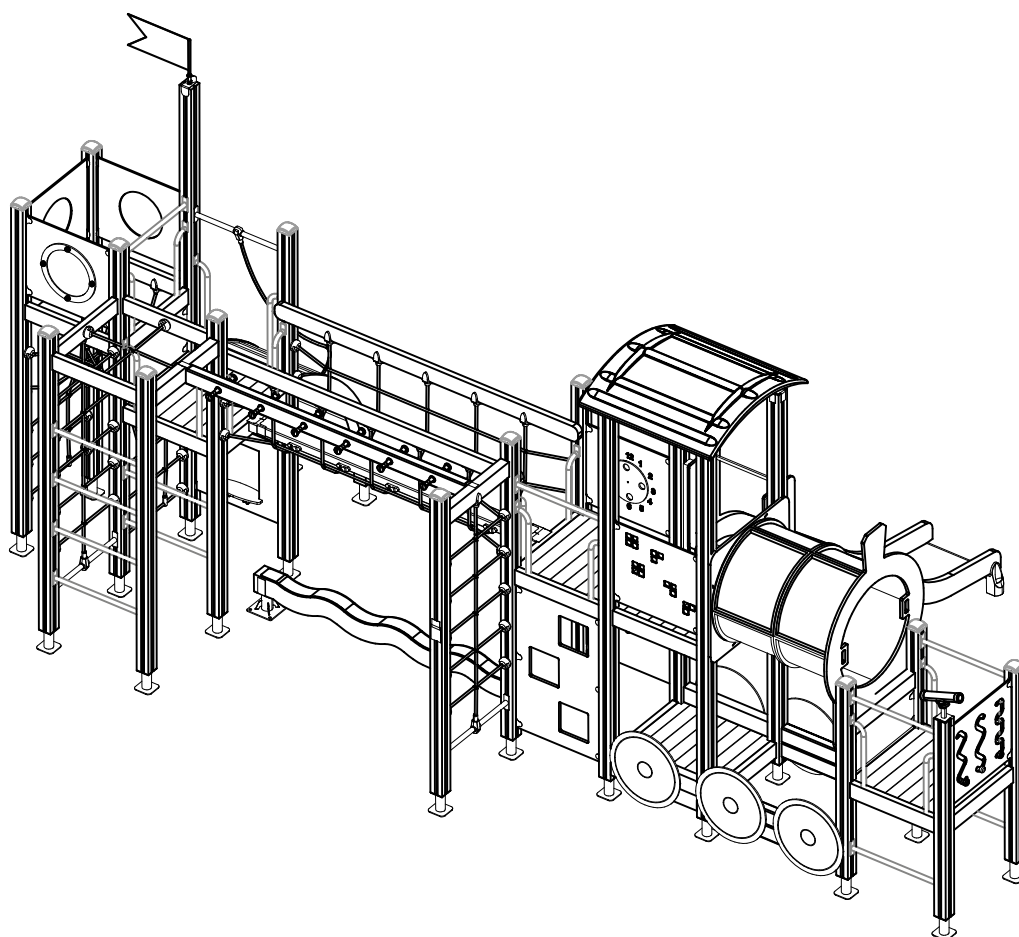
LAPPSET®

FINNO


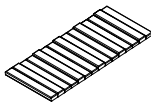
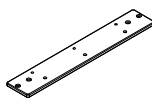
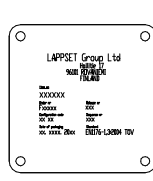
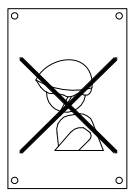
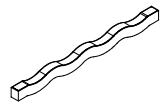
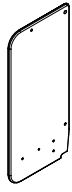
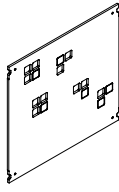
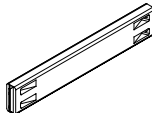

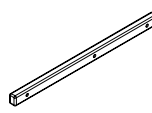
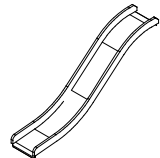
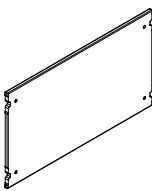

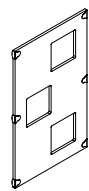
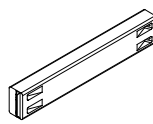

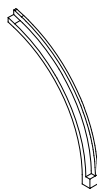


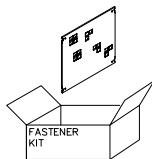
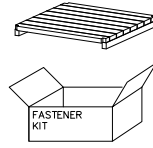
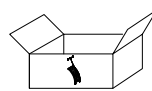
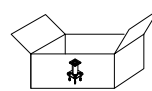
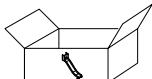
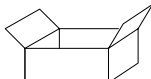
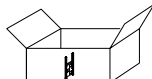

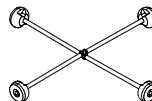
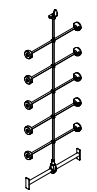
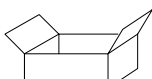

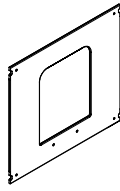
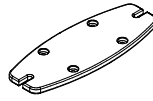
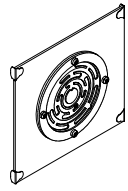
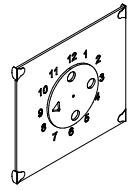
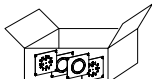


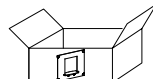
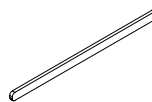
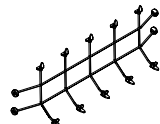
ASENNUSOHJE
MONTERINGSANSVISNING
INSTALLATION INSTRUCTION
AUFBAUANLEITUNG
NOTICE D'INSTALLATION

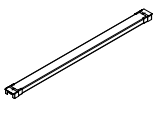
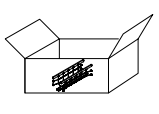

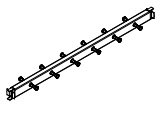
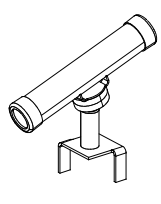
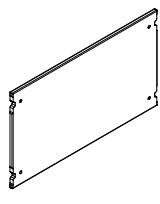
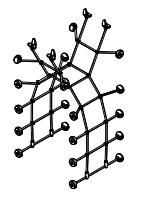
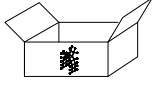
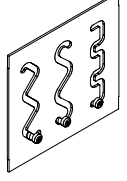
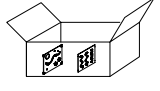
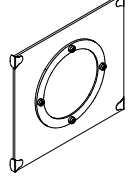
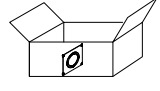
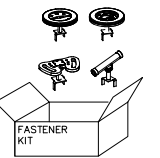

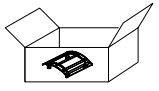
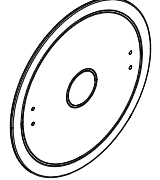
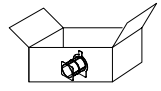
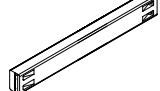
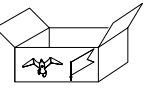
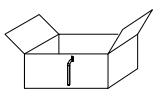
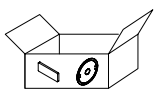
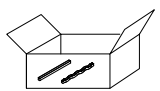
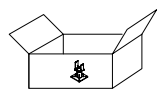
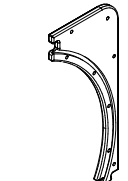

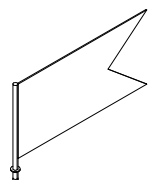
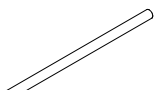
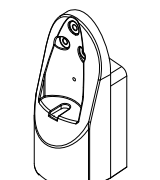
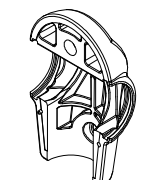
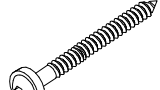
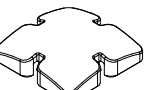
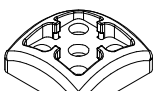
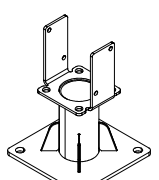




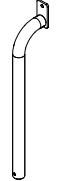
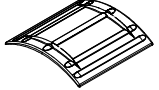


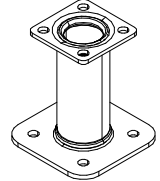
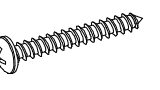
DATE: 1.10.2019

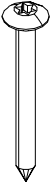
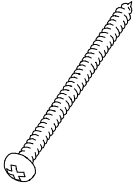
Q10632-2



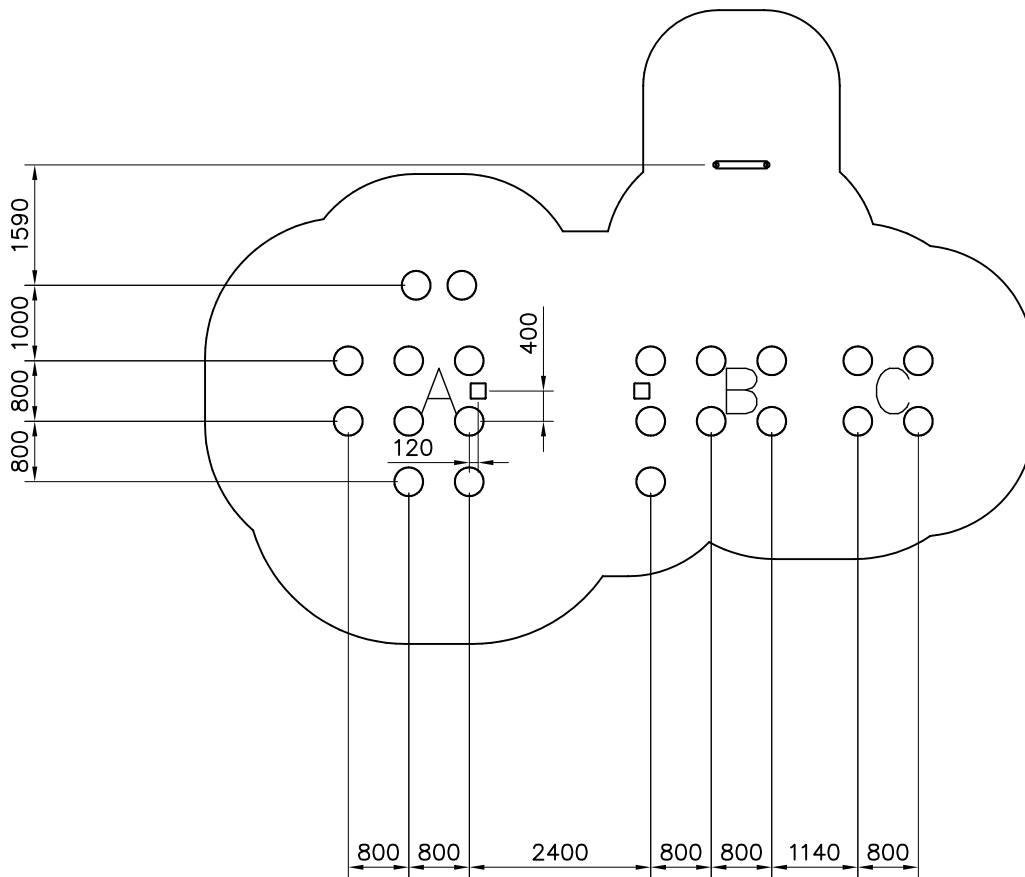
DATE: 1.10.2019

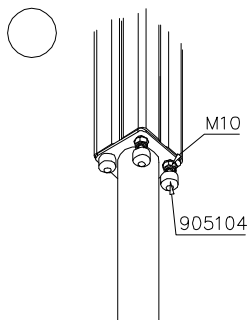
008986  750x750	PCS 5	701088  45x645x1670	PCS 1	701092  15x120x700	PCS 1	702286  65x65	PCS 1	702339  118x78	PCS 1	705590-602  120x200x2294	PCS 1
706371-706  15x345x750	PCS 2	706436-706  10x640x702	PCS 1	706439-602  L 704	PCS 24	706441-602  93x93x1550	PCS 3	706443  32x45x702	PCS 10	706450-602  600x381x2685	PCS 1
706461  15x400x703	PCS 1	706505  35x70x730	PCS 2	706507-706  L 2080	PCS 1	706512-602  70x120x704	PCS 7	706518-602  95x1005x1365	PCS 1	706519-602  95x1005x1365	PCS 1
706521-305  L 2080	PCS 1	706527-602  93x93x1600	PCS 1	706534  FASTENER KIT	PCS 3	706535  FASTENER KIT	PCS 5	706544  FASTENER KIT	PCS 1	706551  FASTENER KIT	PCS 21
706553  FASTENER KIT	PCS 1	706556  FASTENER KIT	PCS 1	706558  FASTENER KIT	PCS 1	706568-602  93x93x3000	PCS 4	706596-305  755x755	PCS 1	706603-305  1840x705	PCS 2
706608  FASTENER KIT	PCS 2	706669-602  93x93x2400	PCS 6	706727-706  10x702x640	PCS 1	706744  15x145x380	PCS 1	706766-706  FASTENER KIT	PCS 1	706772-706  FASTENER KIT	PCS 1
706778  FASTENER KIT	PCS 2	706790-602  93x93x3500	PCS 1	706810-602  93x93x2650	PCS 4	706885  FASTENER KIT	PCS 1	707255-607  45x120x2480	PCS 2	707259-305  2340x800	PCS 2

707262  70x145x2235	PCS 1	707270  	PCS 1	707290-602  127x300x2355	PCS 1	707304 	PCS 1	707340  15x300x702	PCS 1	707341-305  1520x705	PCS 1
707349 	PCS 1	707386-706  10x640x702	PCS 1	707450 	PCS 1	707453-706  10x640x702	PCS 3	707454 	PCS 3	707585  FASTENER KIT	PCS 1
707599-607  21x1100x1550	PCS 1	707623 	PCS 1	707648  Ø570x10	PCS 6	707649 	PCS 1	707659-602  70x120x1062	PCS 4	707693 	PCS 1
707732 	PCS 16	707764 	PCS 6	707785 	PCS 1	707899  FASTENER KIT	PCS 2	707918-706  20x275x640	PCS 4	900240  Ø8x70	PCS 48
900793-204 	PCS 1	901868  Ø34x598	PCS 1	901879 	PCS 2	901902  30.7x60.9x100	PCS 6	903093  Ø8x90	PCS 140	905138  GRAY	PCS 13
905196  GRAY	PCS 13	905780  120x120x150	PCS 2	905821  GRAY	PCS 4	905829  STRAIGHT CLE	PCS 4	907688-216 	PCS 2	907694-216  L 704	PCS 15
907701-216 	PCS 14	908251  1100x1100x215	PCS 1	908330-216 	PCS 2	909256  Ø16/8.4	PCS 12	909531  130x130x150	PCS 21	980114  Ø4x20	PCS 8

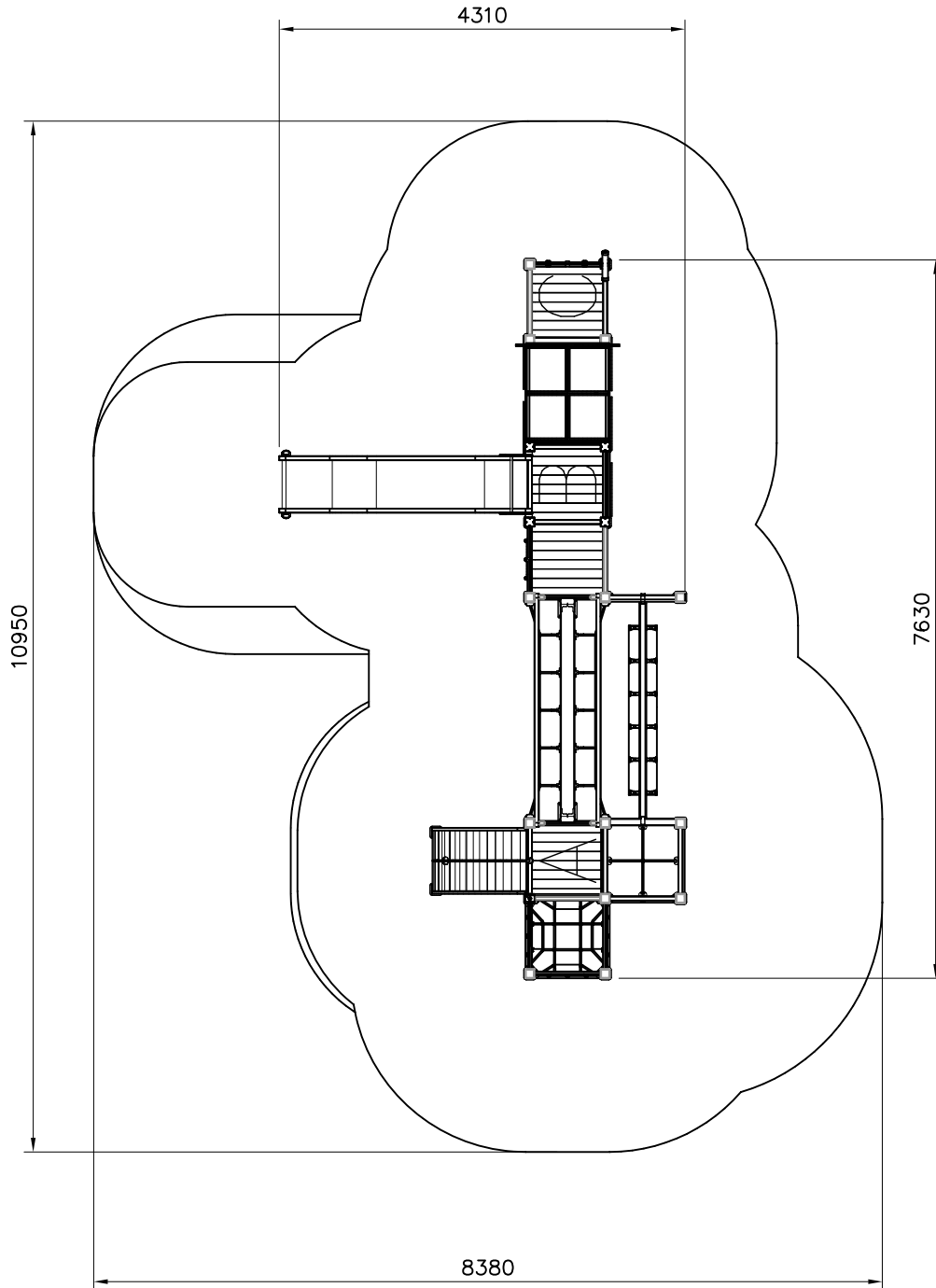
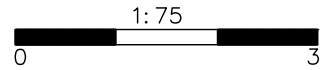
980128  Ø7x40	PCS 12	980131  Ø6x60	PCS 52		PCS		PCS		PCS		PCS
	PCS		PCS		PCS		PCS		PCS		PCS
	PCS		PCS		PCS		PCS		PCS		PCS
	PCS		PCS		PCS		PCS		PCS		PCS
	PCS		PCS		PCS		PCS		PCS		PCS
	PCS		PCS		PCS		PCS		PCS		PCS
	PCS		PCS		PCS		PCS		PCS		PCS

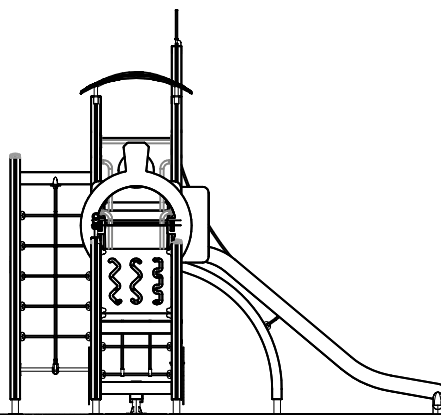
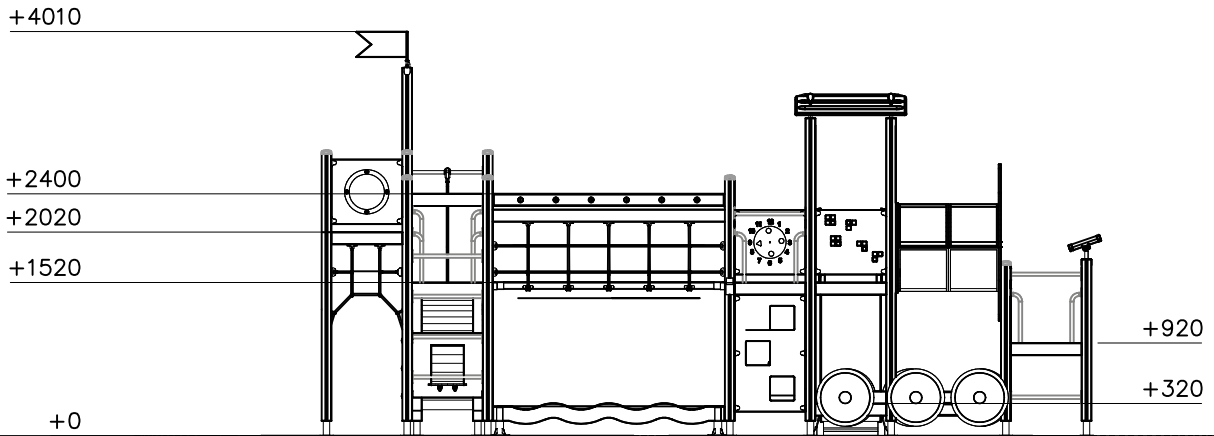
EN/AS Impact Area 58.3 m²

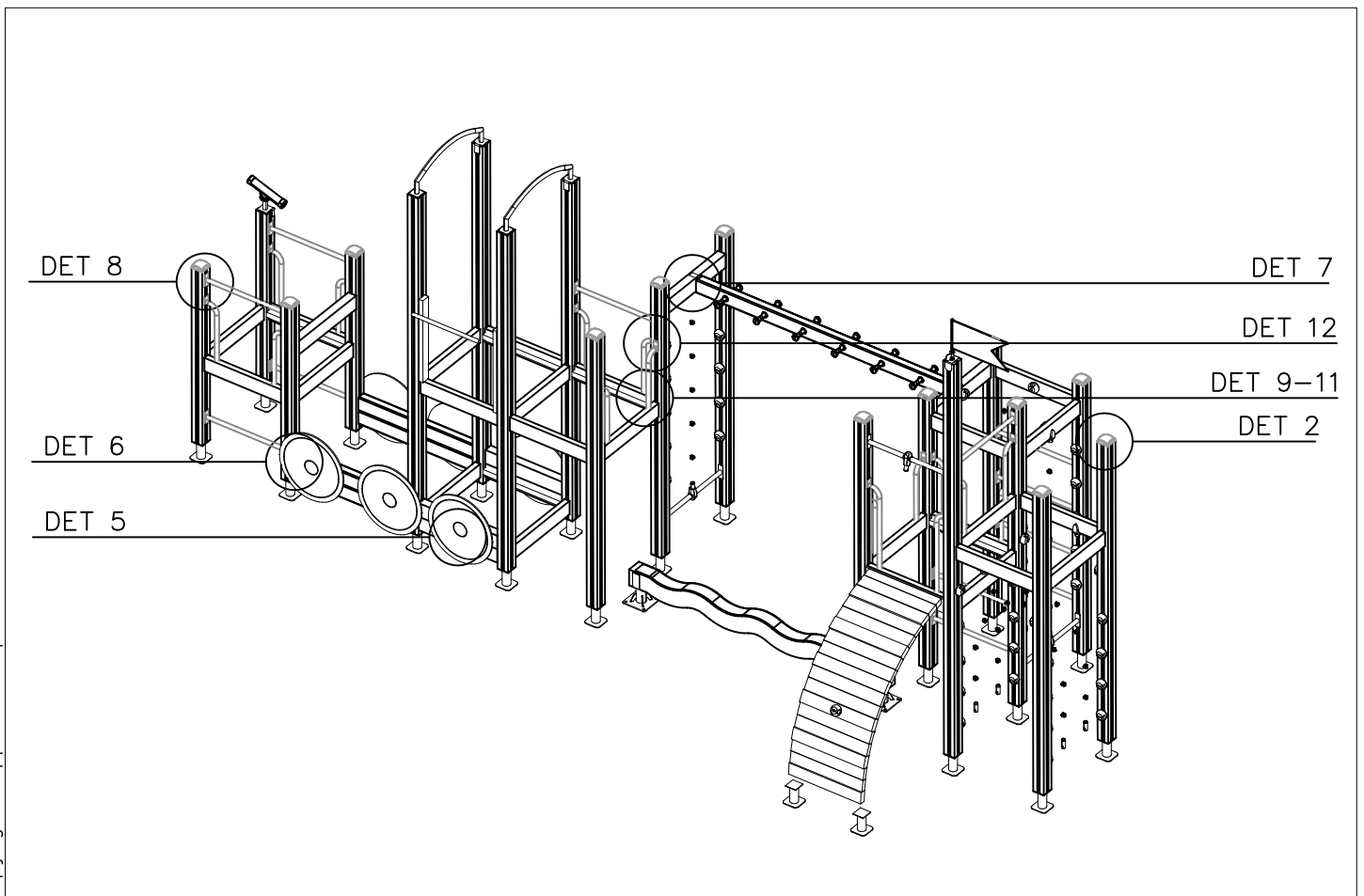
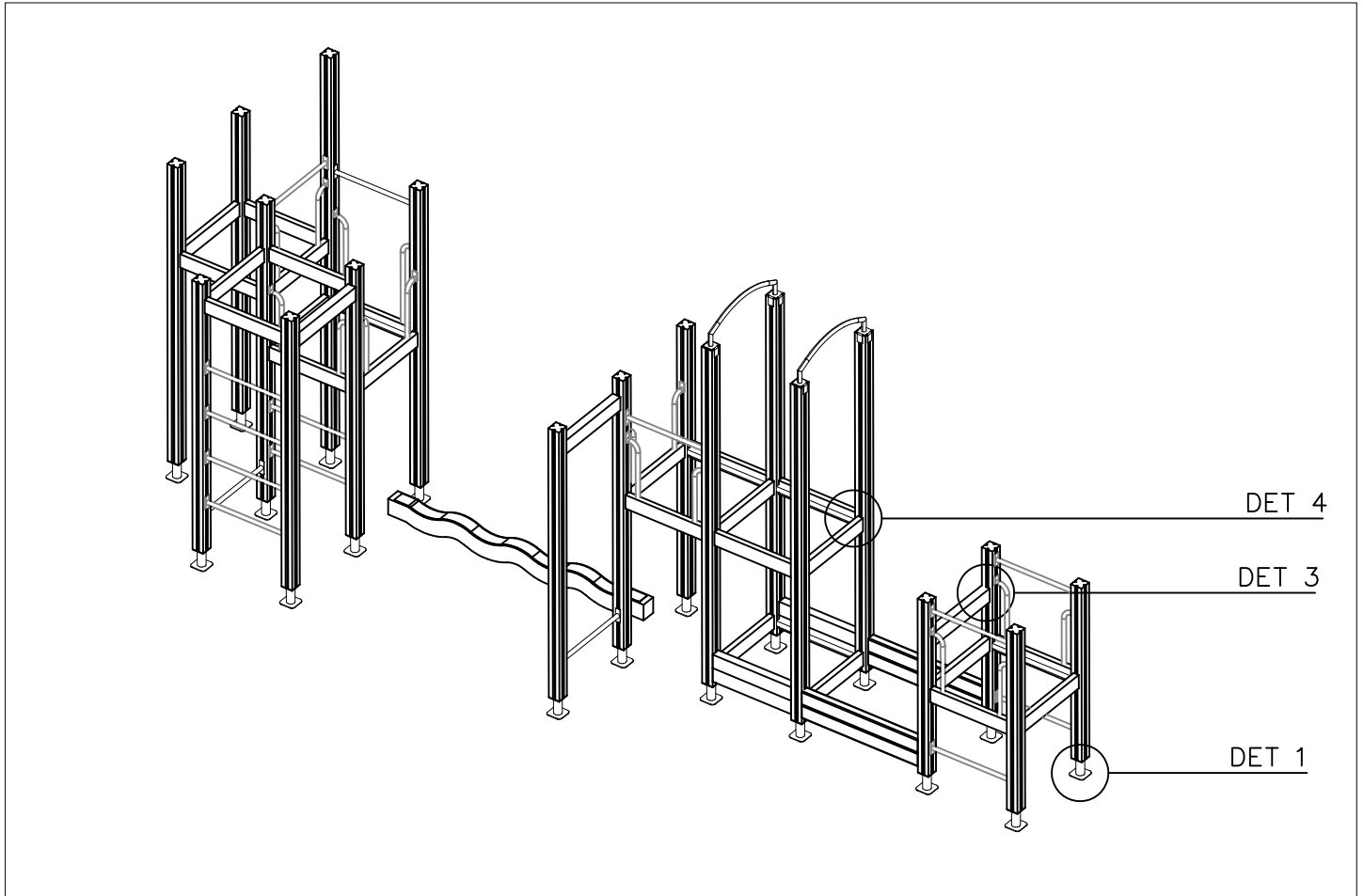




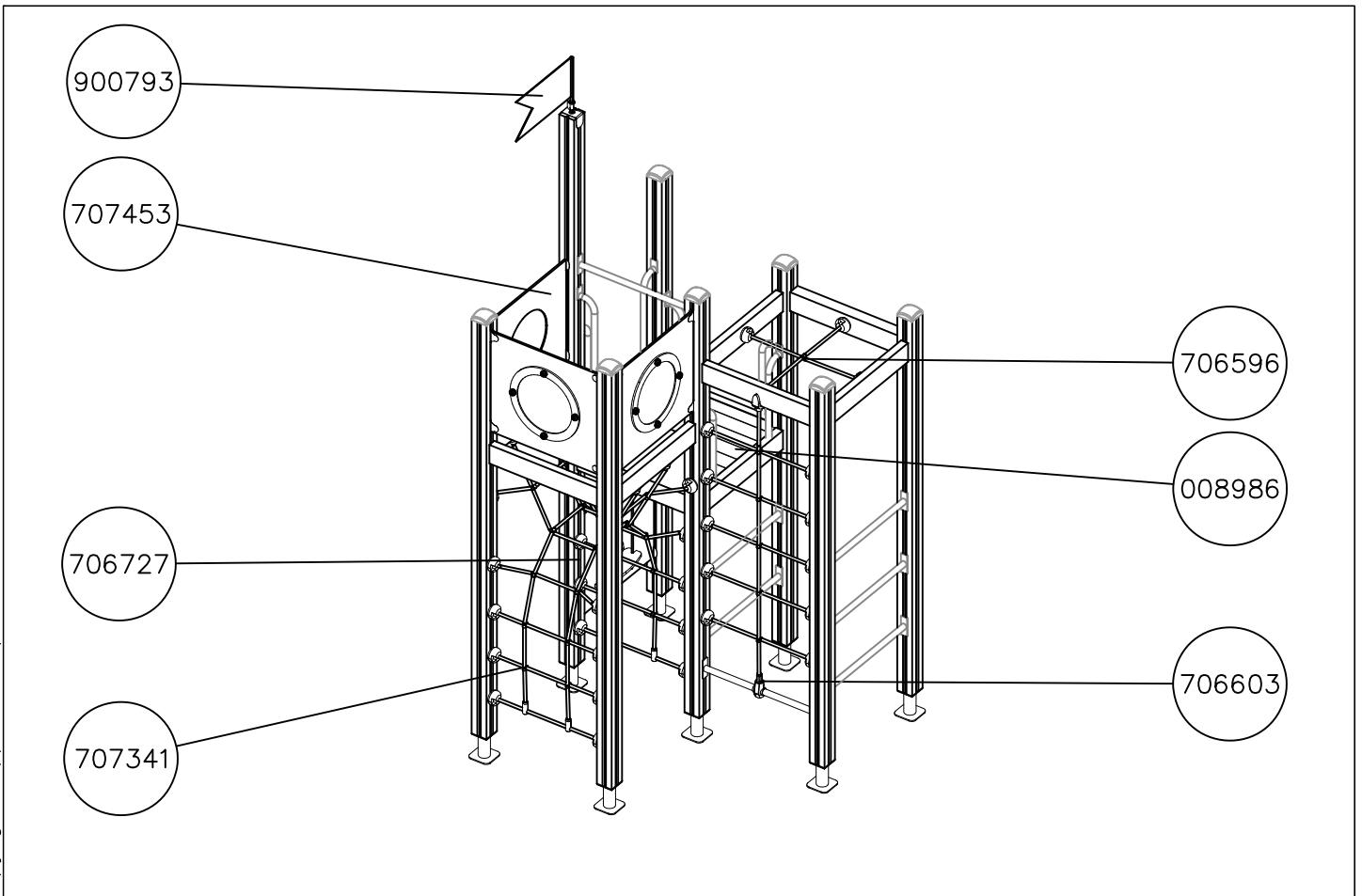
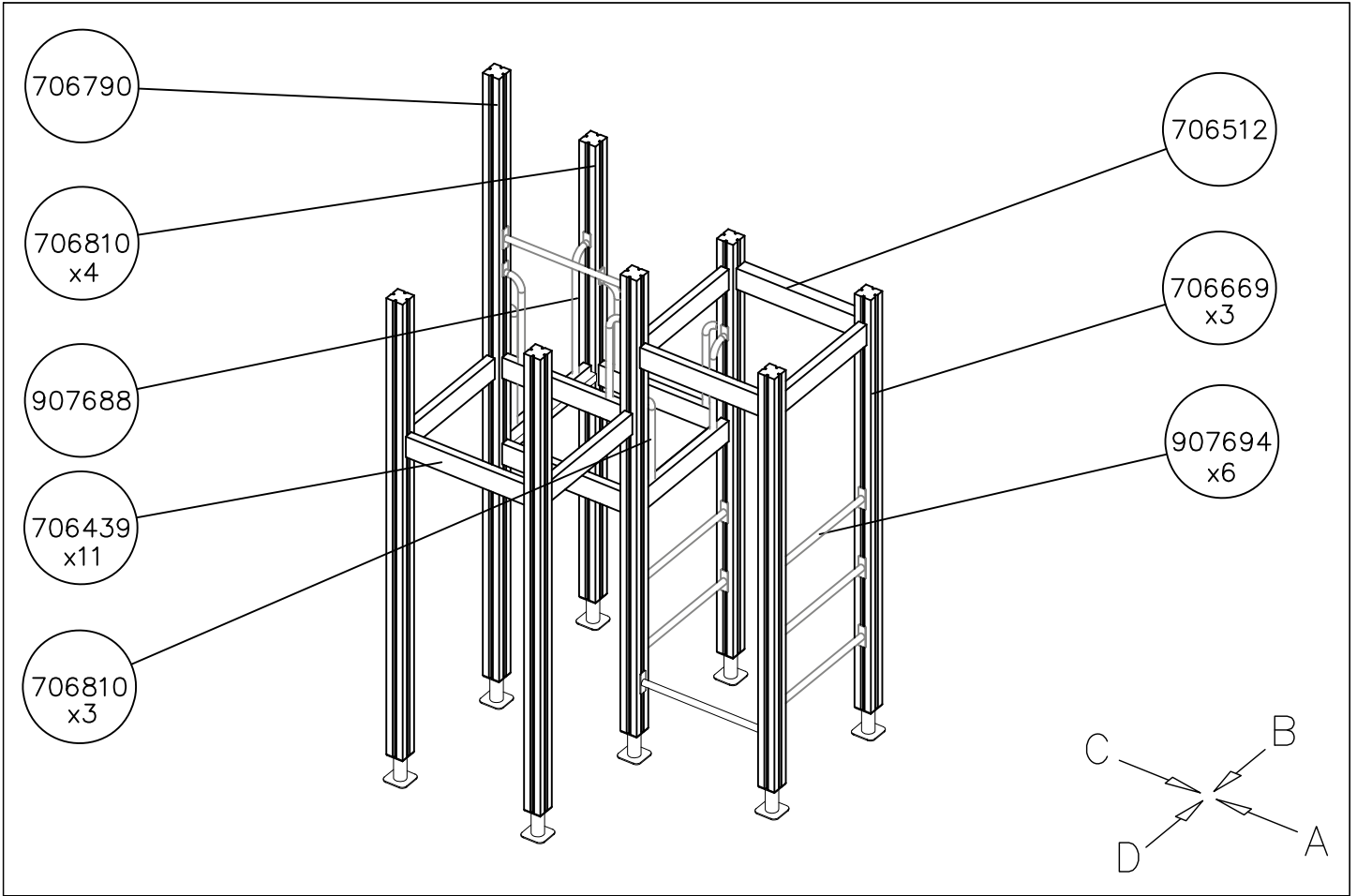
- EN/AS Impact Area 58.3 m²
- - - - Falling Space 58.6 m²
Max Falling Height 2400 mm







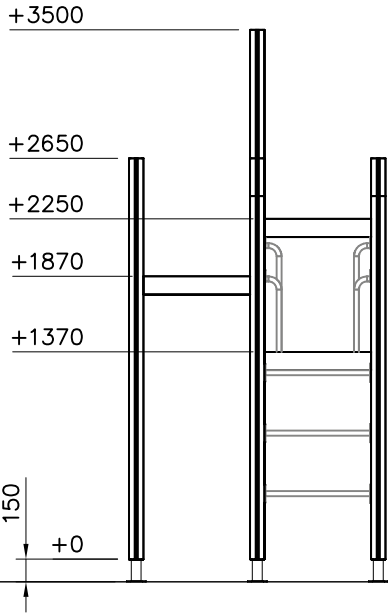
<p>DET 1</p>	<p>DET 2</p>	<p>DET 3</p>	<p>DET 4</p>
<p>DET 5</p>	<p>DET 6</p>	<p>DET 7</p>	<p>DET 8</p>
<p>DET 9</p>	<p>DET 10</p>	<p>DET 11</p>	<p>DET 12</p>



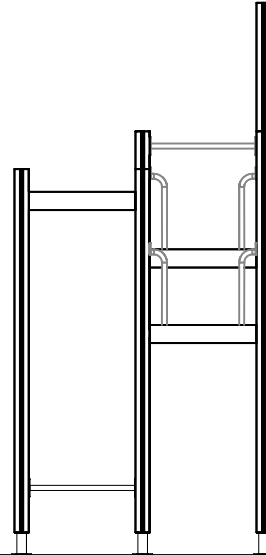
DATE: 1.10.2019

1:50

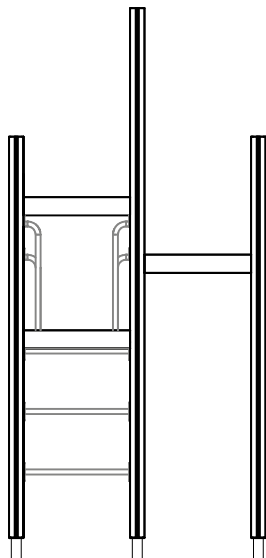
(A)



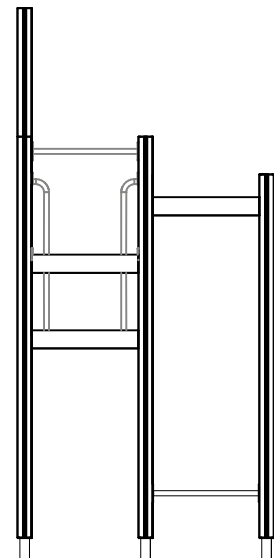
(B)

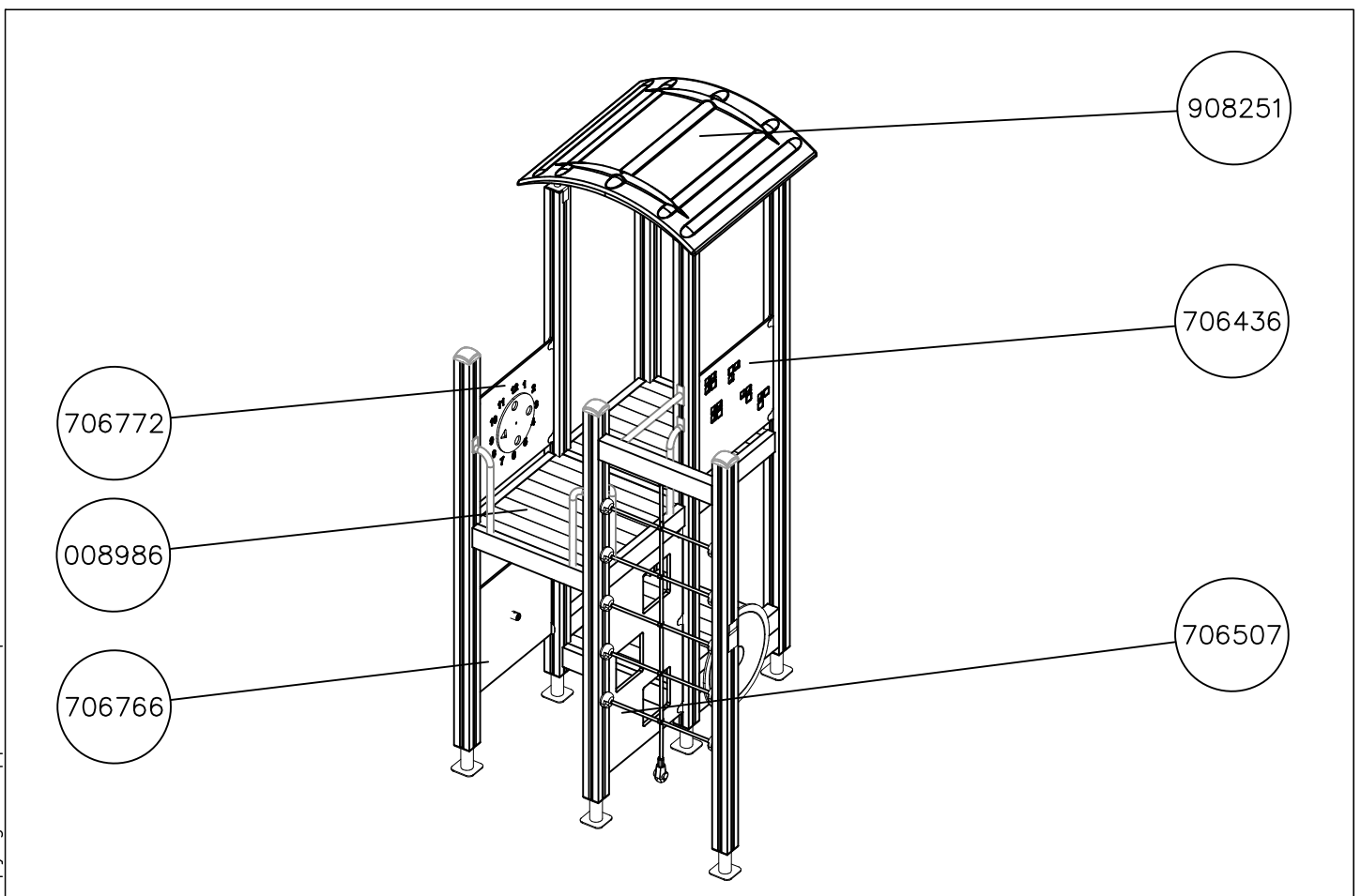
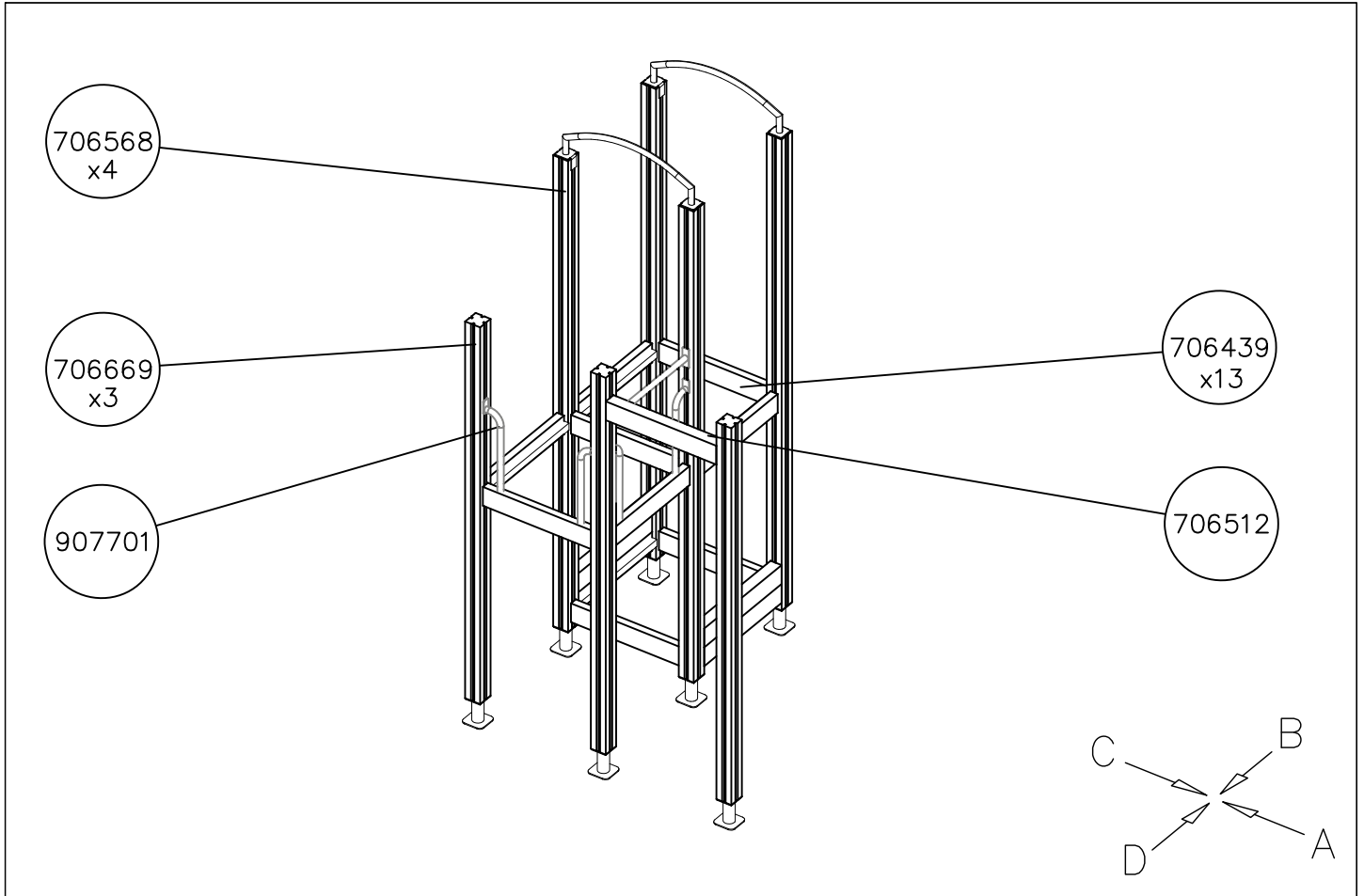


(C)



(D)

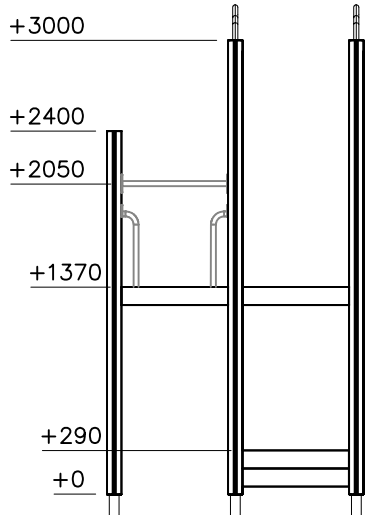




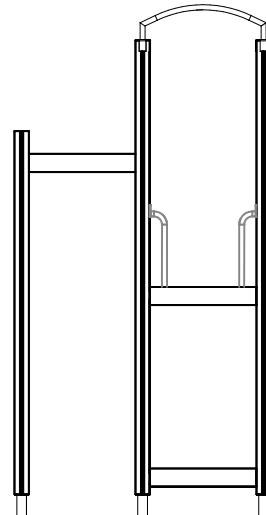
DATE: 1.10.2019

1:50

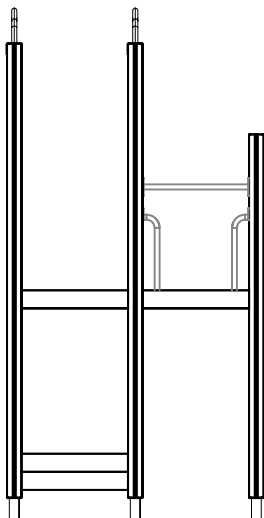
(A)



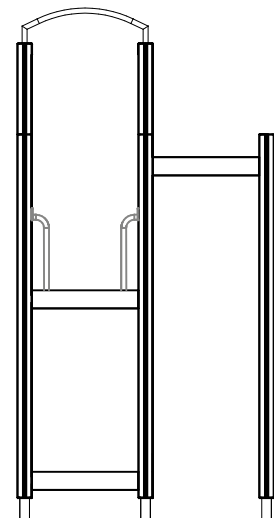
(B)

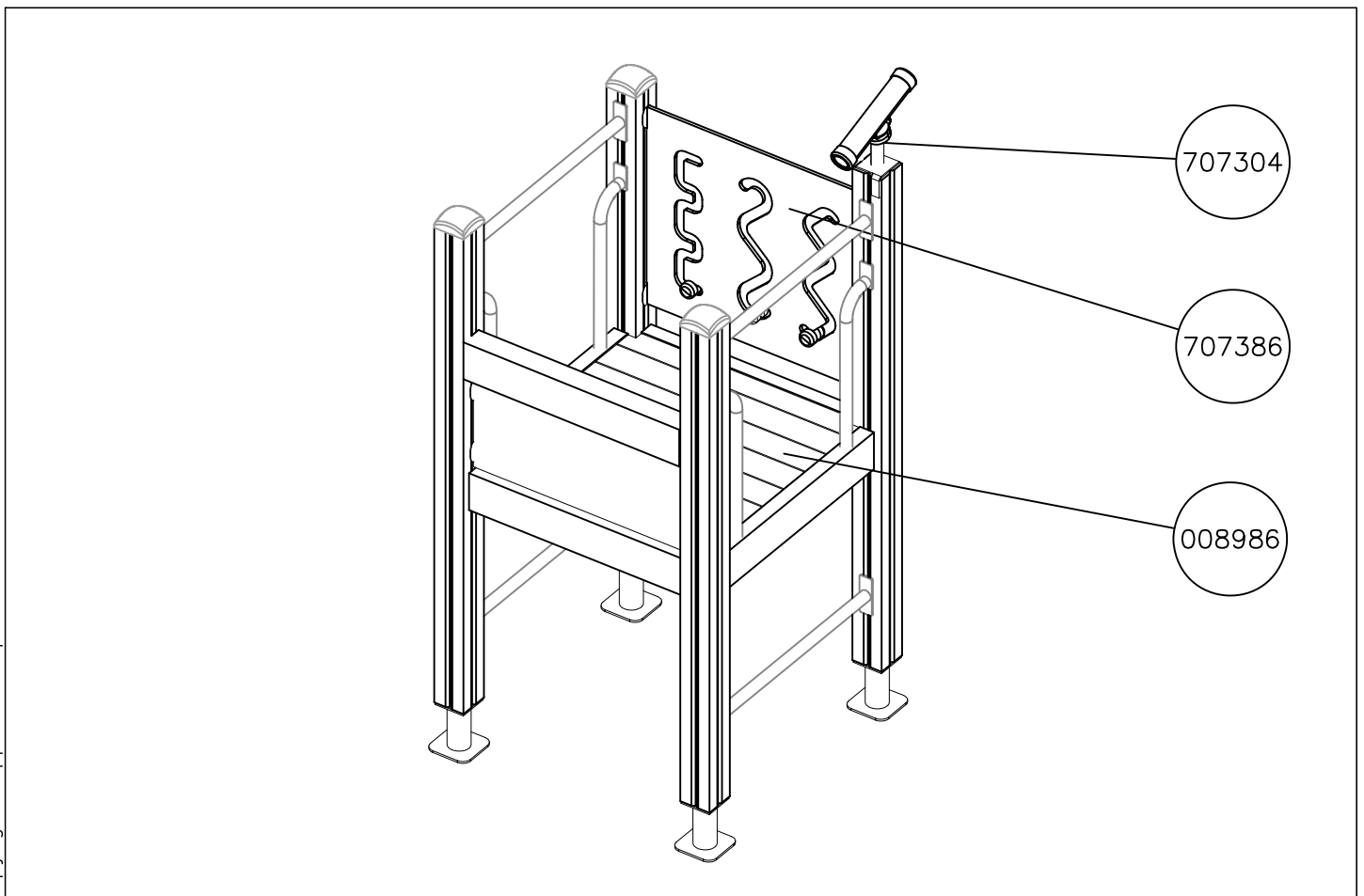
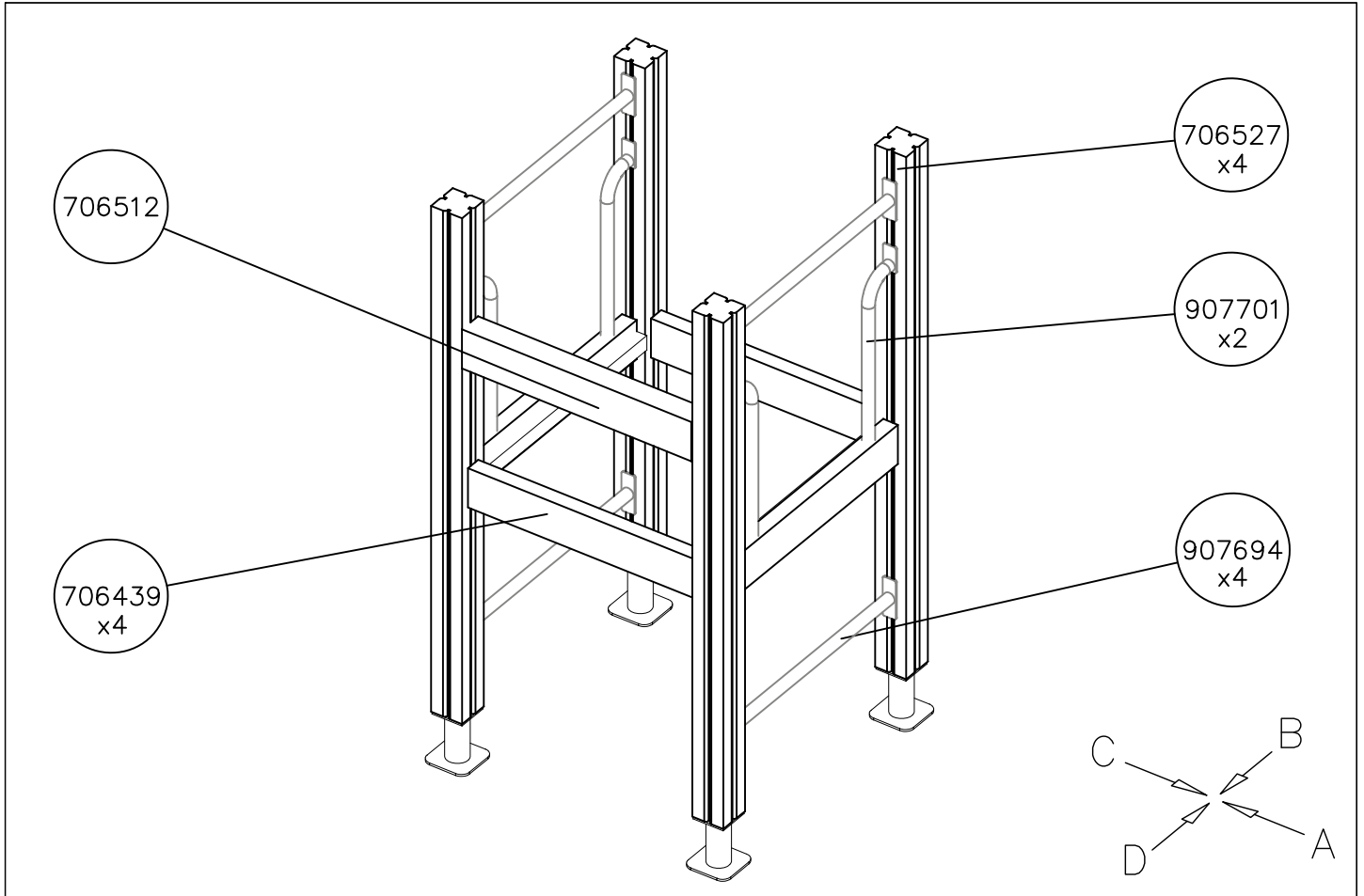


(C)



(D)



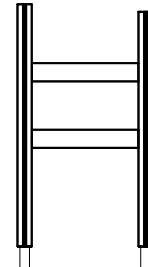
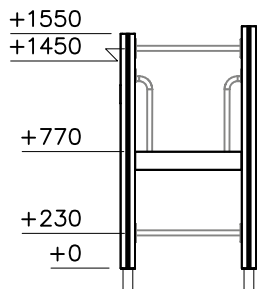


DATE: 1.10.2019

1:50

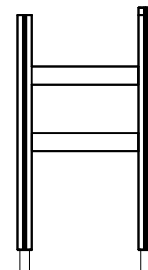
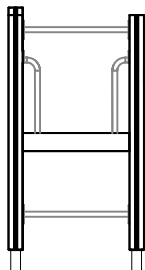
(A)

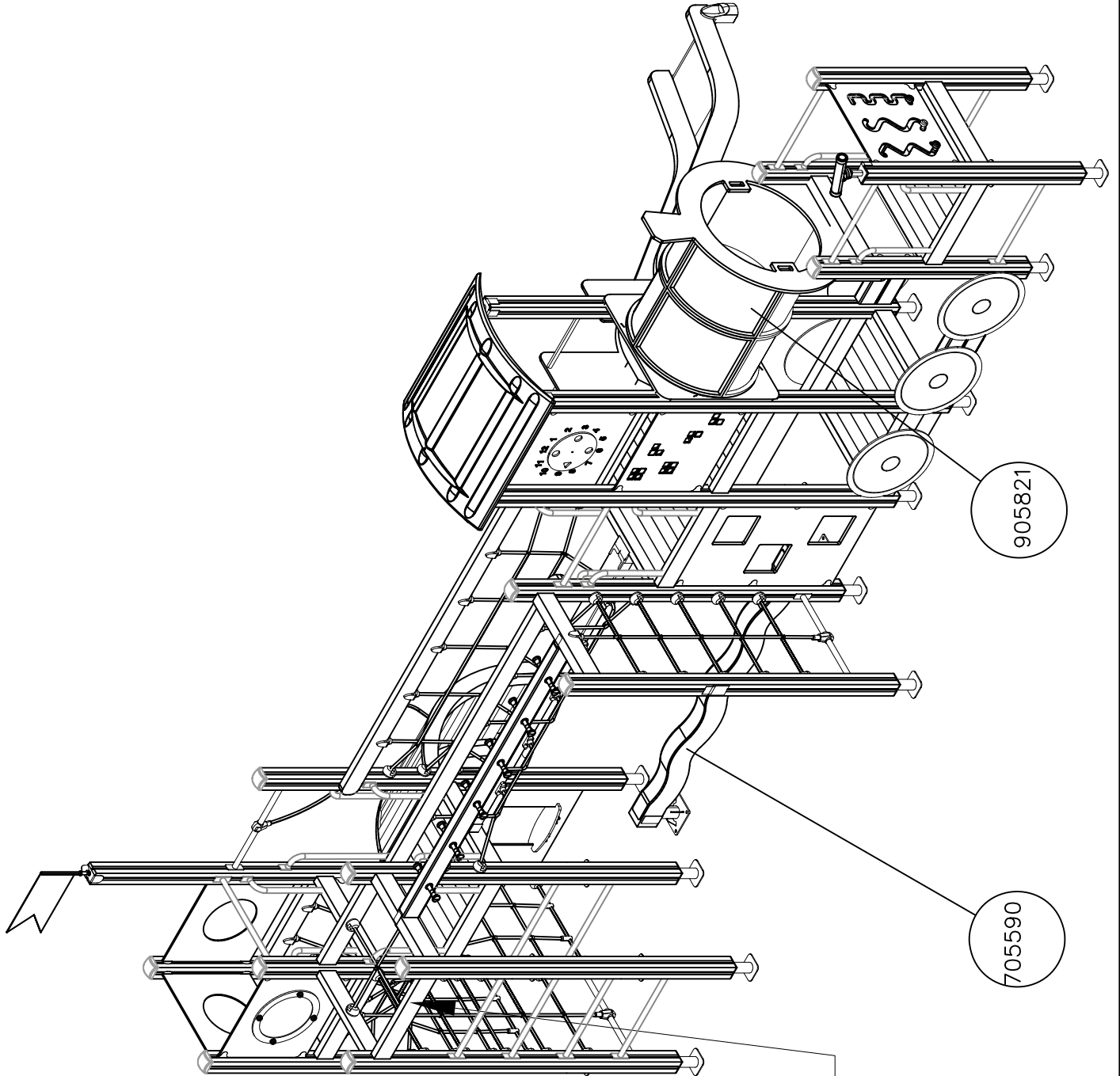
(B)



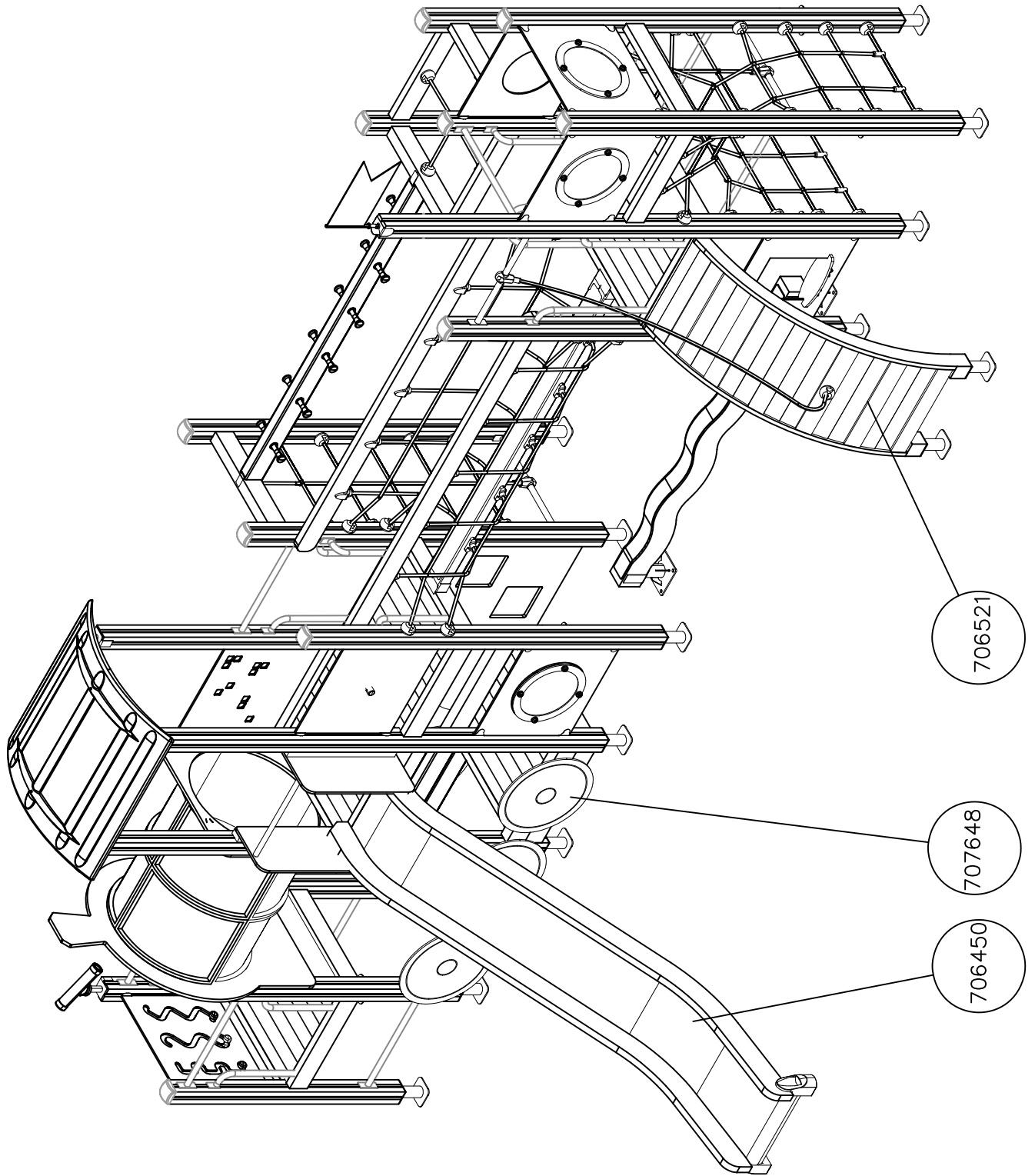
(C)

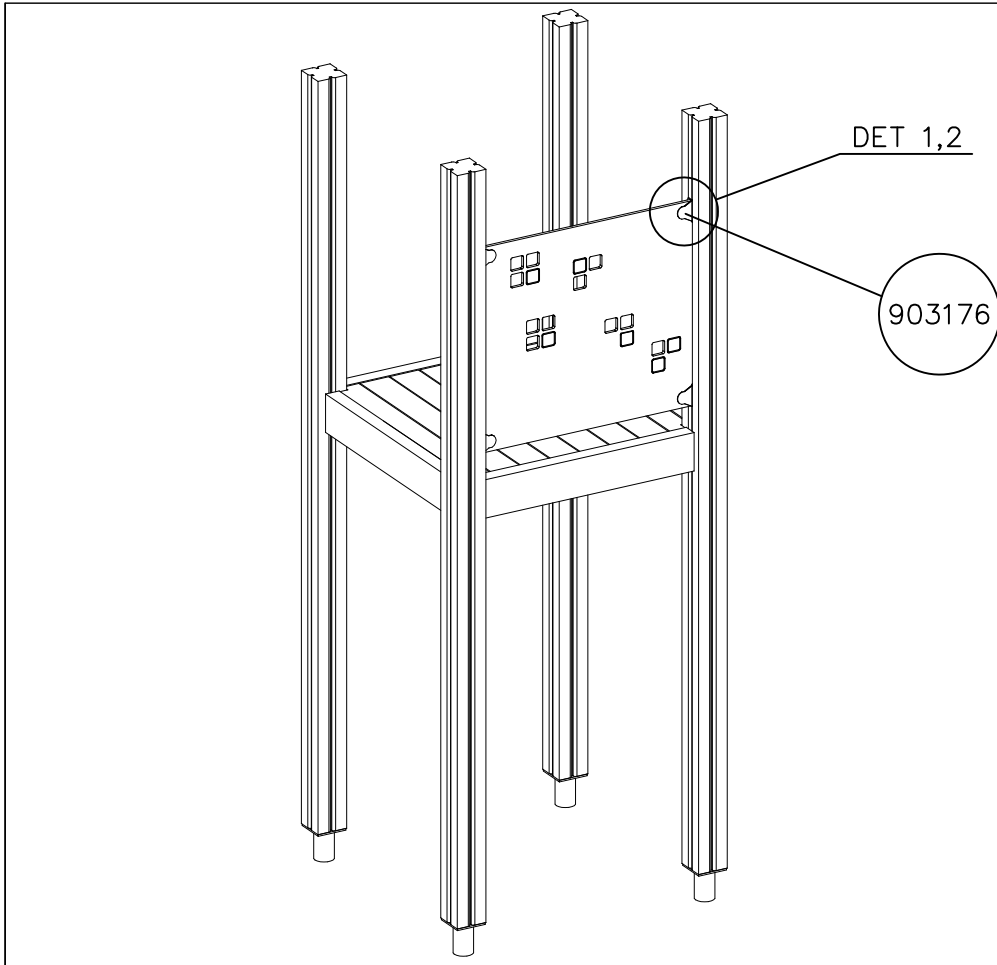
(D)

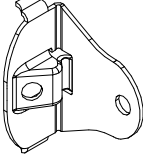
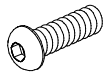
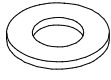
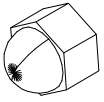



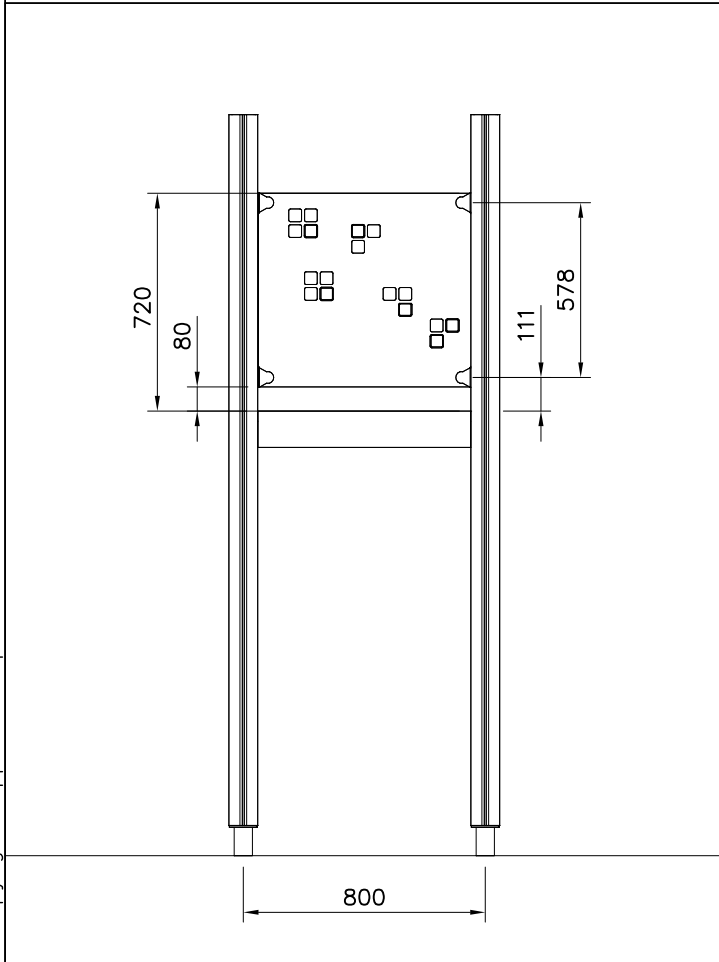


Max Falling Height

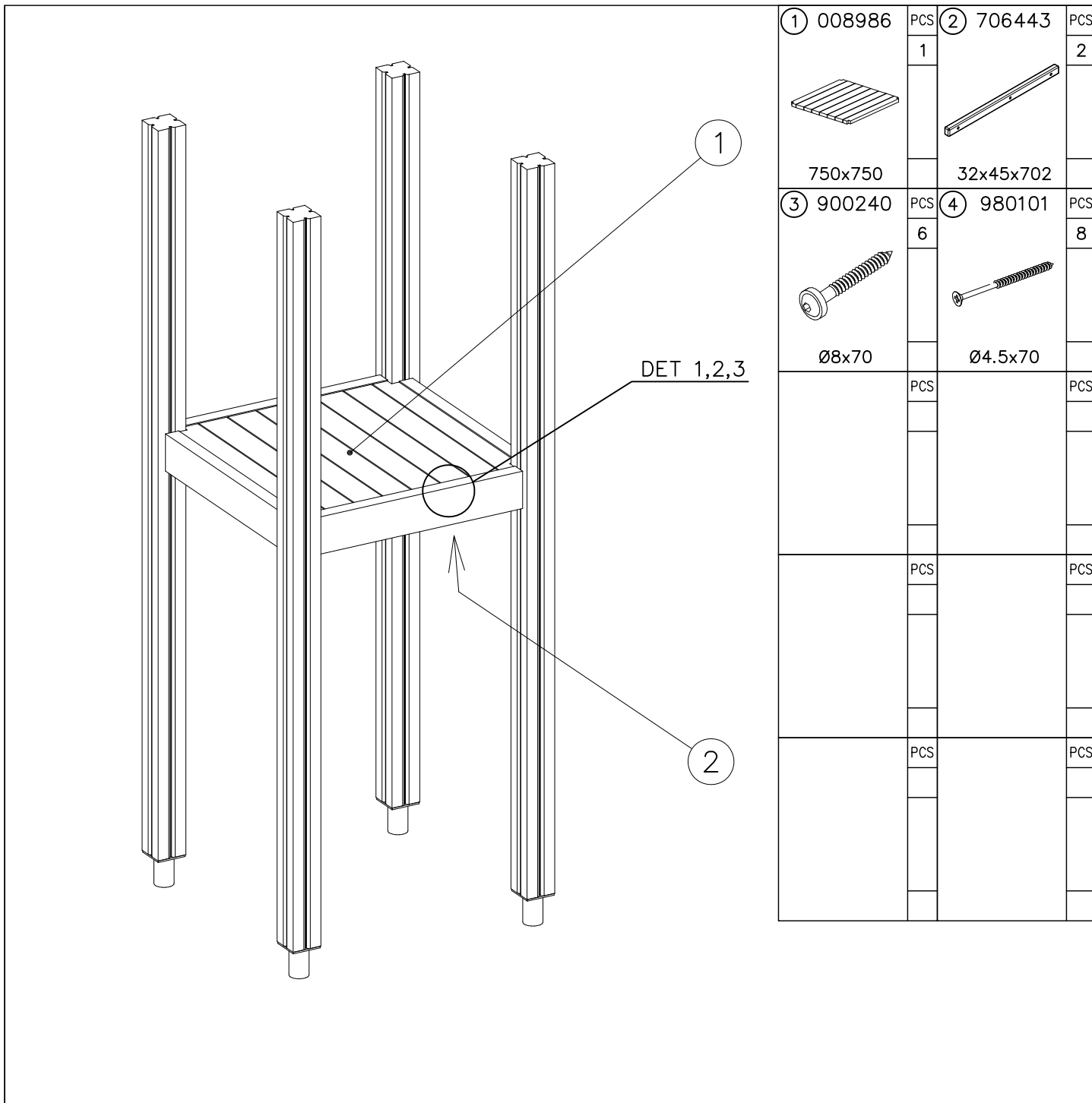




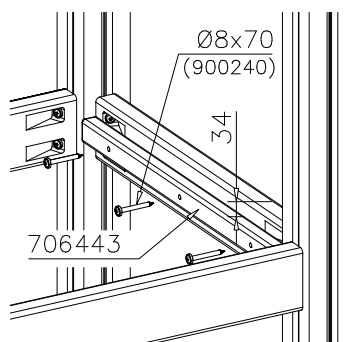
① 903176	PCS	② 909850	PCS
	4		4
		M8x25	
③ 909256	PCS	④ 909633	PCS
	8		4
Ø16/8.4x1.6		M8	
⑤ 980123	PCS		PCS
	4		
Ø7x60			
	PCS		PCS





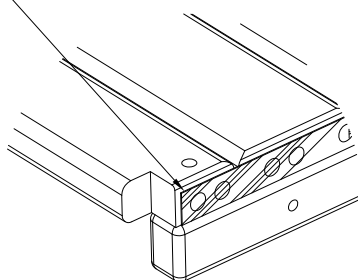


DET 1

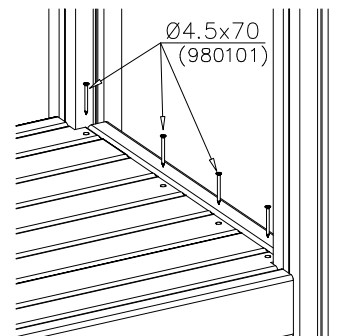


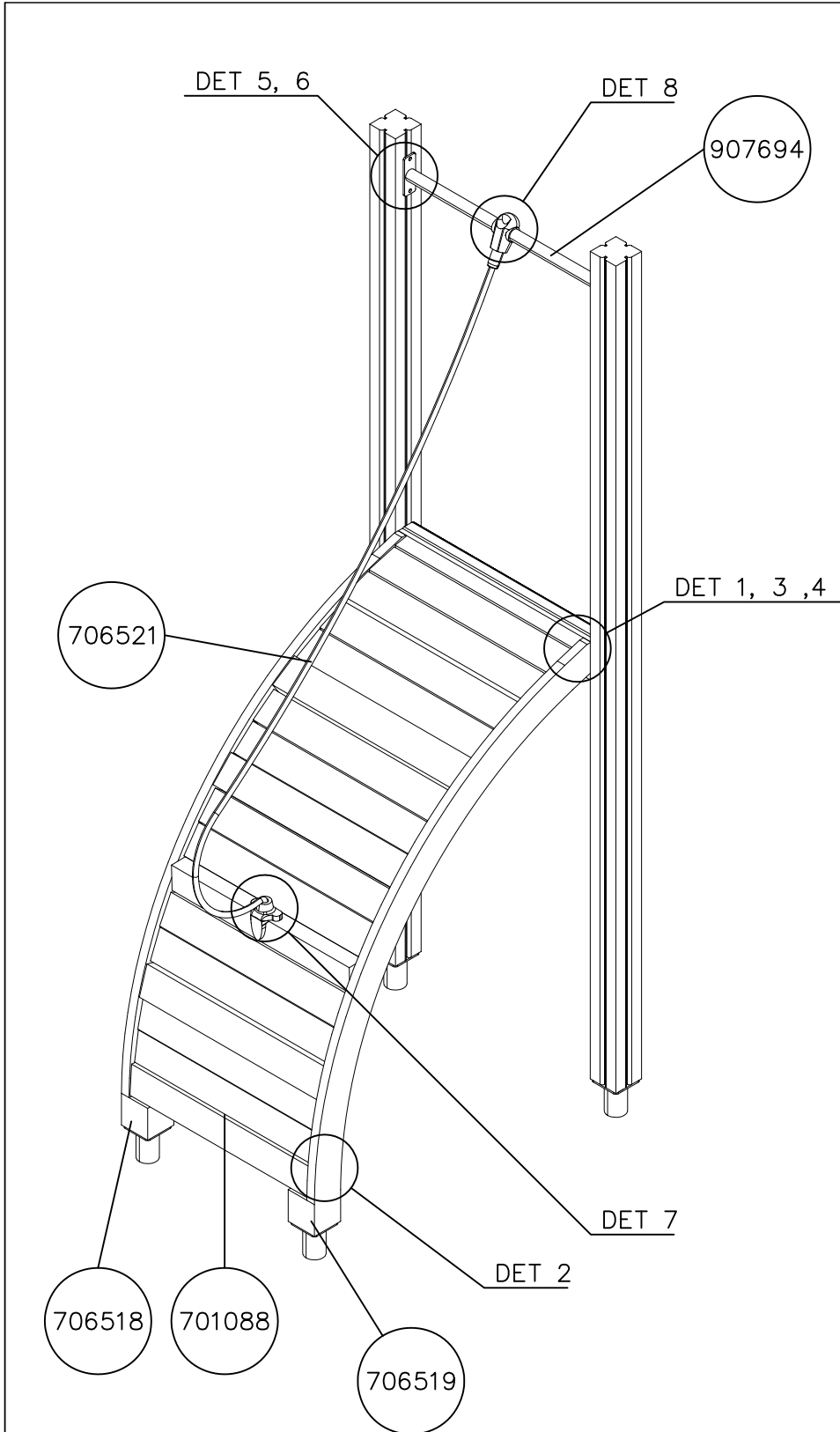
DET 2

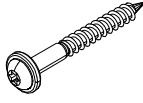
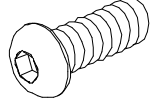
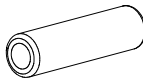
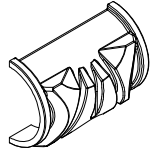

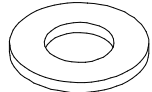
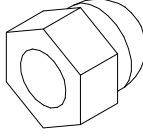
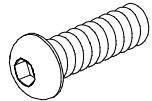
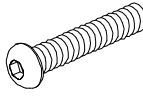
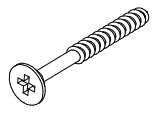


Naulanauha kannatinlistan puolelle.
Nail list to the bottom.

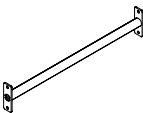
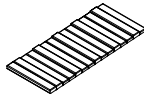
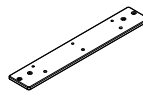





DET 3





① 900240	PCS	② 900342	PCS
	12		2
Ø8x70		M8x16	
③ 901182	PCS	④ 901900	PCS
	1		2
Ø11/M8x40		20.5x36.2x56	
⑤ 901902	PCS	⑥ 909256	PCS
	2		4
30.7x60.9x100		Ø16/8.4x1.6	
⑦ 909633	PCS	⑧ 909850	PCS
	1		1
M8		M8x25	
⑨ 909855	PCS	⑩ 980107	PCS
	4		3
M8x35		Ø6x60	
⑪ 980123	PCS	⑫ 980128	PCS
	2		4
Ø7x60		Ø7x40	

○ 907694	PCS	○ 701088	PCS	○ 701092	PCS	○ 706521	PCS	○ 706518	PCS	○ 706519	PCS
	1		1		1		1		1		1
L 704		45x645x1670		15x120x700		L 2120		95x1005x1365		95x1005x1365	

ROPE OPTIONS

706521

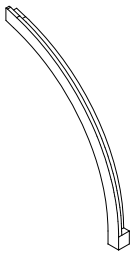


706521-301 BLUE
706521-302 RED
706521-303 BEIGE

706521-304 GRAY
706521-305 BLACK
706521-306 YELLOW

LEFT ARCH OPTIONS

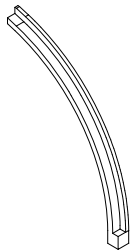
706518



706518-602 DARK BROWN
706518-603 LIGHT BROWN
706518-604 LIGHT GRAY

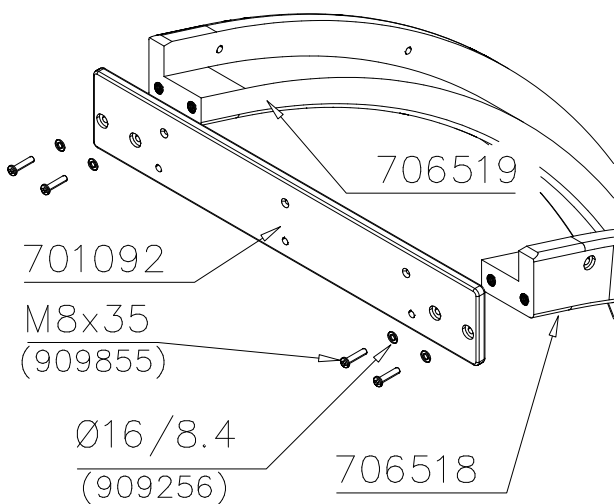
RIGHT ARCH OPTIONS

706519

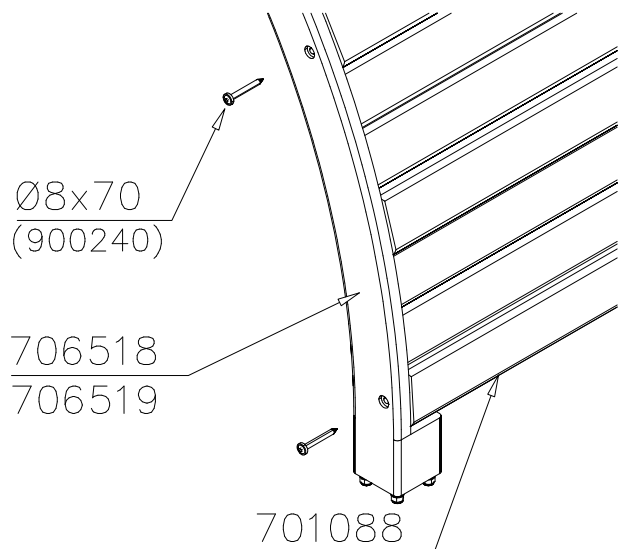


706519-602 DARK BROWN
706519-603 LIGHT BROWN
706519-604 LIGHT GRAY

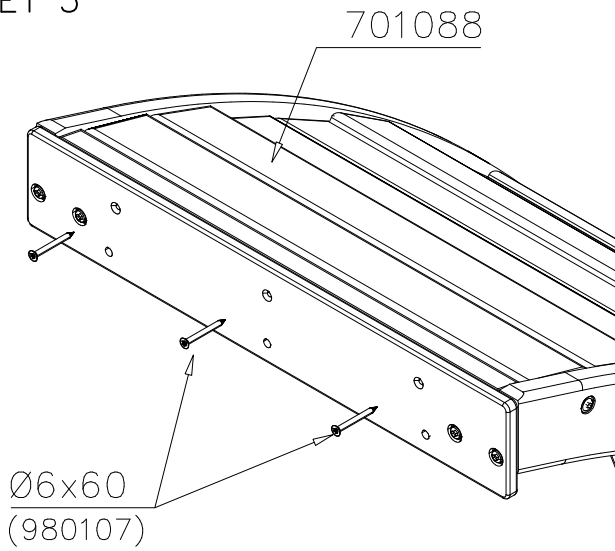
DET 1



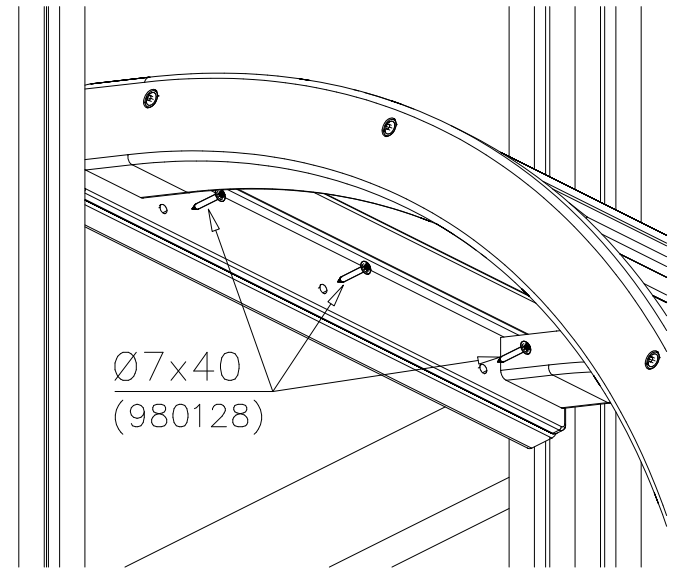
DET 2



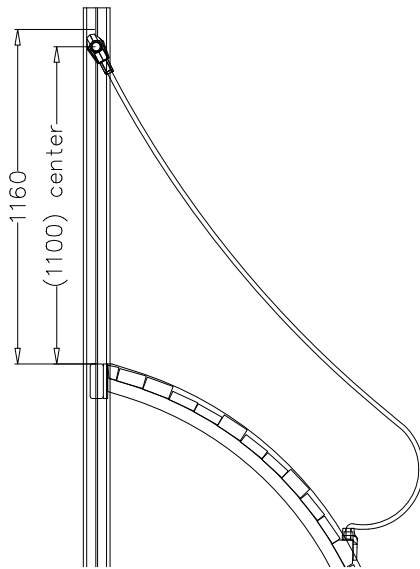
DET 3



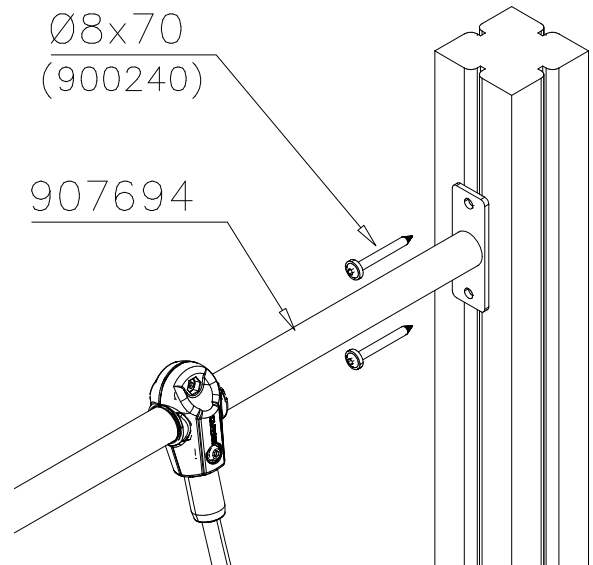
DET 4



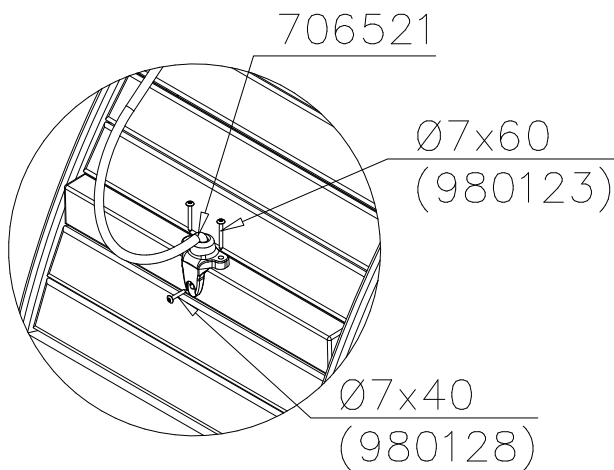
DET 5



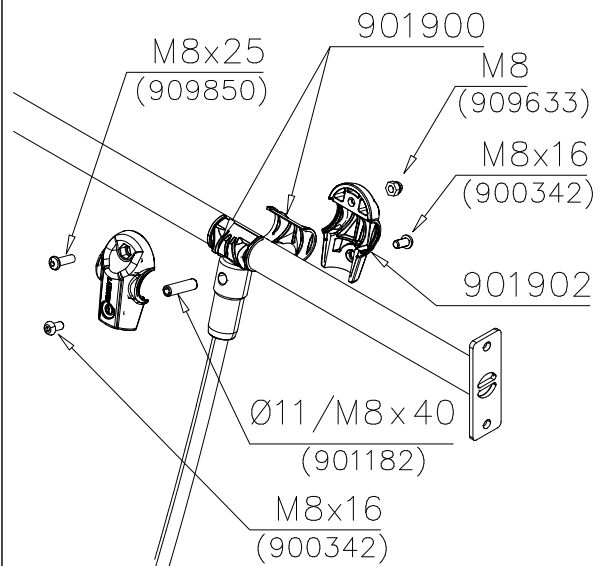
DET 6

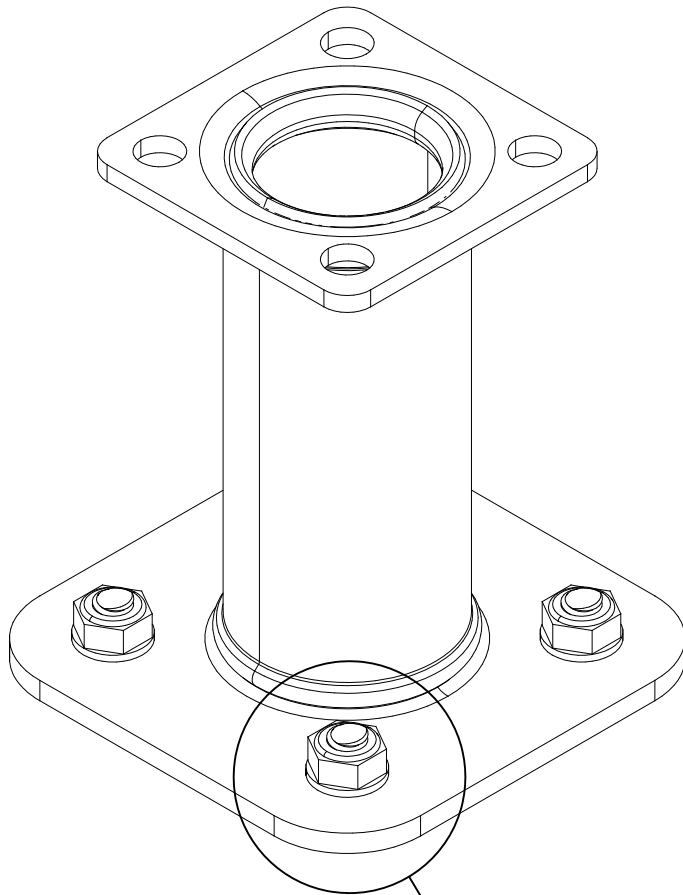


DET 7



DET 8

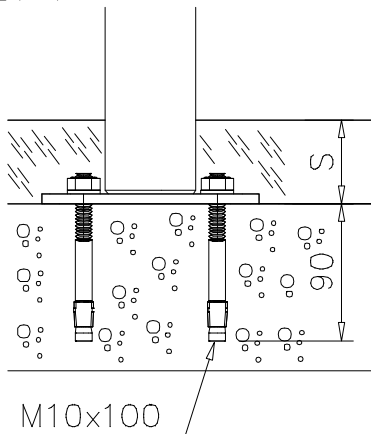




DET 1, 2, 3

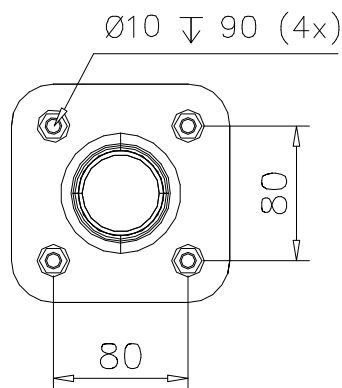
① 909531	PCS	① 909513	PCS
	1		1
		60°	
① 909514	PCS	① 902056	PCS
	1		1
		75°	57°
① 902062	PCS		PCS
	1		
		70°	
	PCS		PCS
	PCS		PCS
② 909628	PCS		PCS
	4		
M10x100			

DET 1

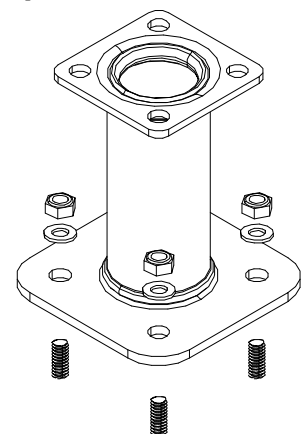


M10x100

DET 2



DET 3



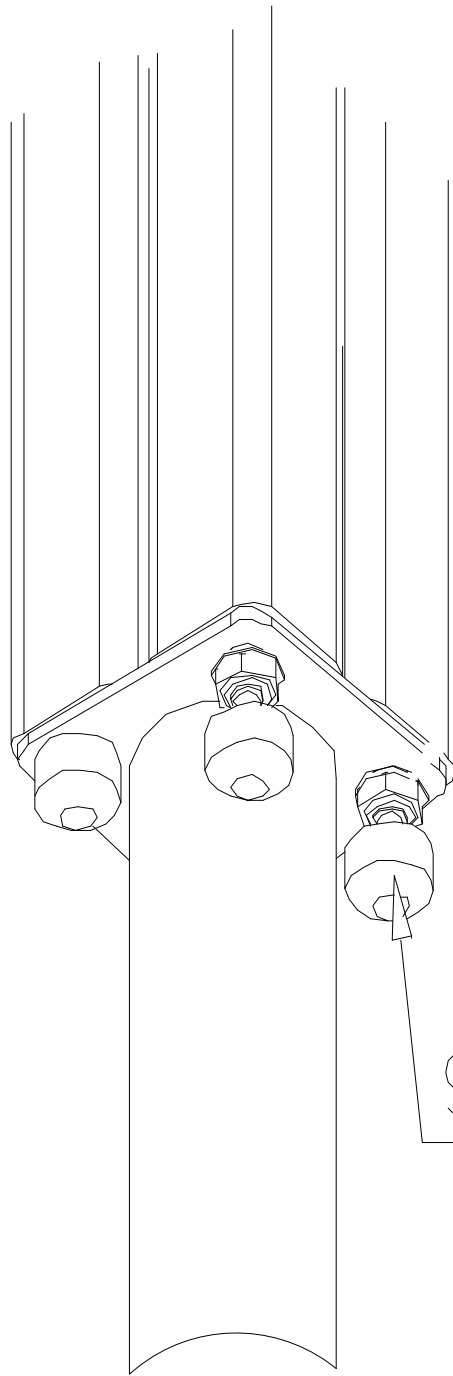
LAPPSET®
BETON FOUNDATION

FOOT

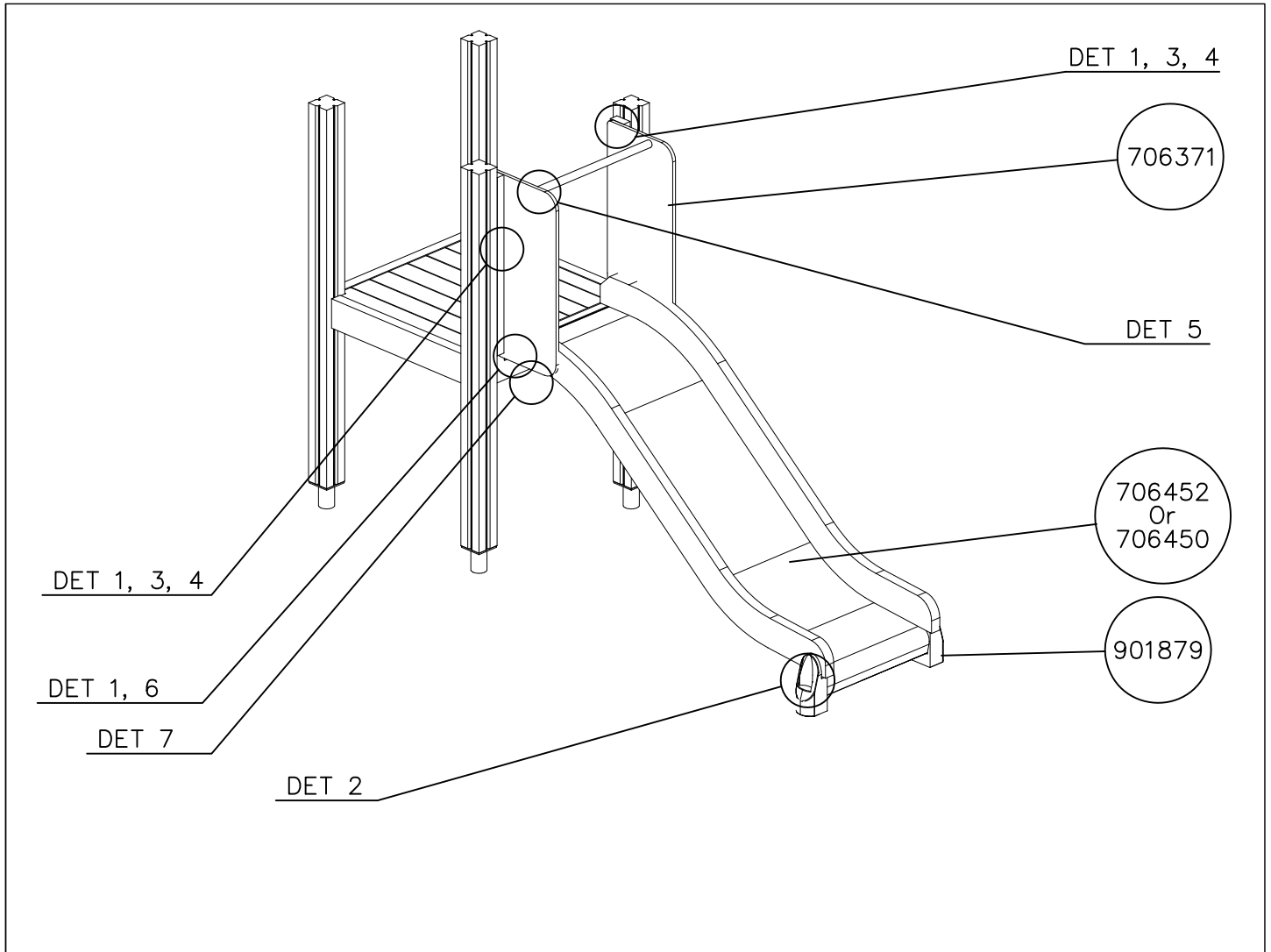
DATE: 27.10.2015

1(1)

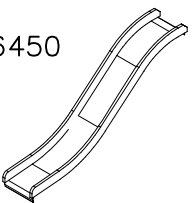
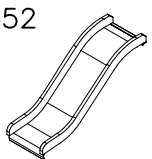
② 905104	PCS		PCS
	4		
 M10	PCS		PCS



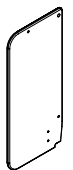
905104


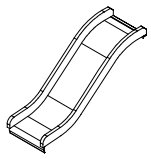
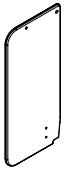

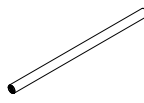
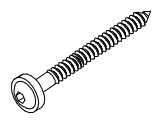
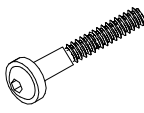
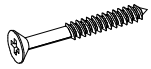
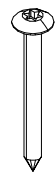



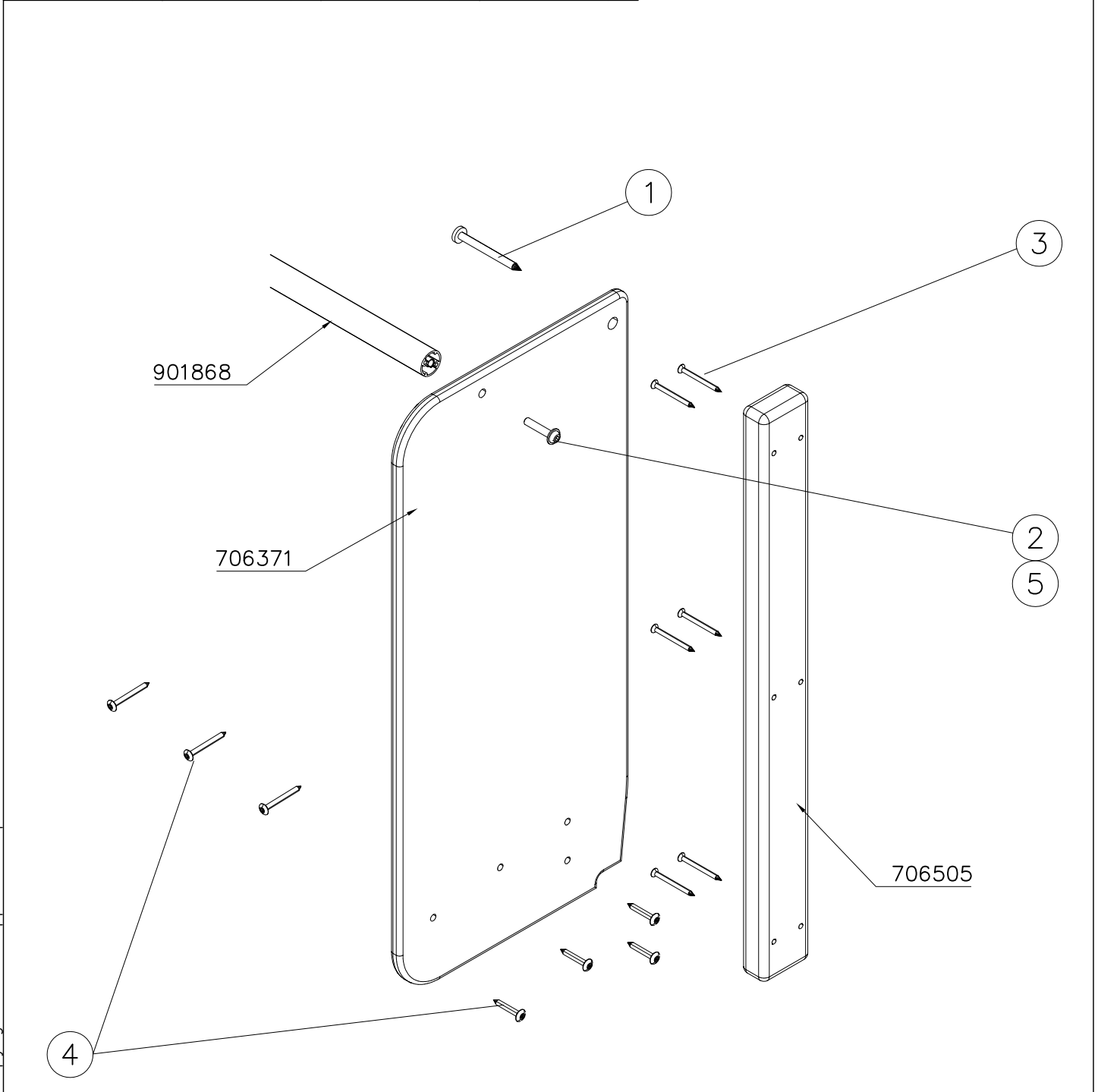
SLIDE OPTIONS

<p>706450</p> 	<p>706450-602 DARK BROWN 706450-603 LIGHT BROWN 706450-604 LIGHT GRAY</p>	
<p>706452</p> 	<p>706450-602 DARK BROWN 706450-603 LIGHT BROWN 706450-604 LIGHT GRAY</p>	

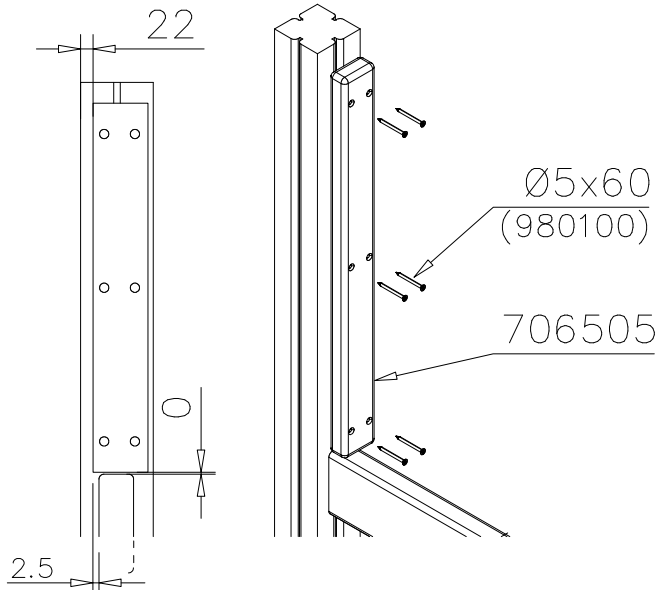
WALL OPTIONS

<p>706371</p> 	<p>706371-701 BLUE 706371-702 YELLOW 706371-703 LIME 706371-704 DRARK GRAY 706371-705 LIGHT GRAY 706371-706 RED</p>	<p>706371-707 GREEN 706371-708 FUXIA</p>
---	--	---

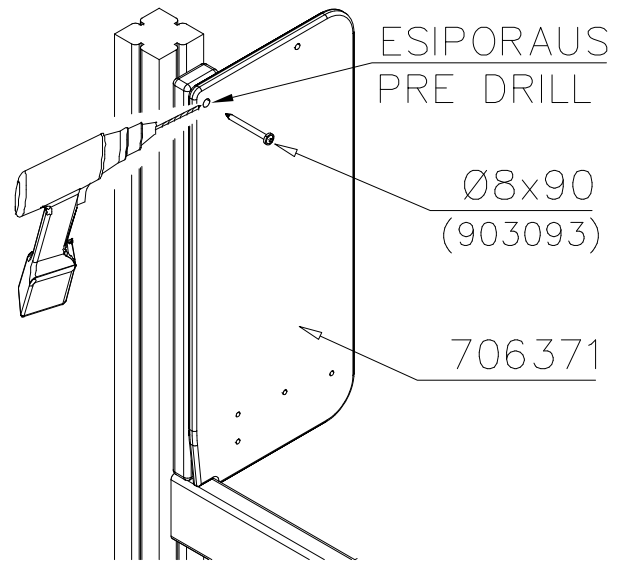
○ SLIDE	PCS	○ SLIDE	PCS	○ 706371	PCS	○ 706505	PCS	○ 901868	PCS	① 903093	PCS
	1		1		2		2		1		2
+1470		+870		15x345x750		35x70x730		Ø34x598		Ø8x90	
② 909876	PCS	③ 980100	PCS	④ 980128	PCS	⑤ 999561	PCS				
	2		12		11		1				
M8x40		Ø5x60		Ø7x40		10g					



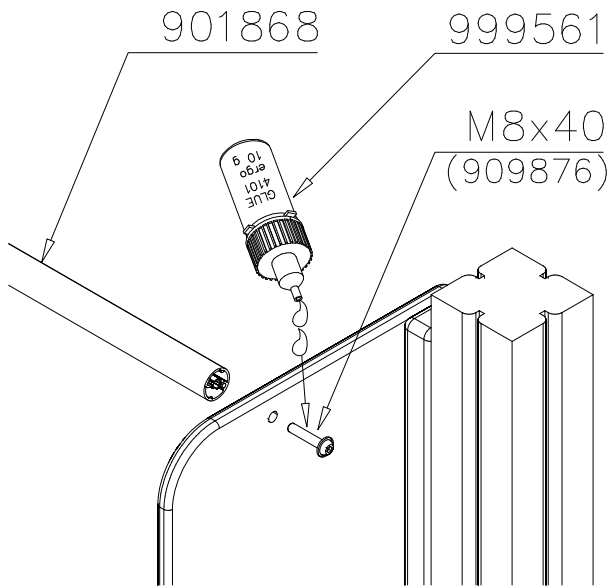
DET 1



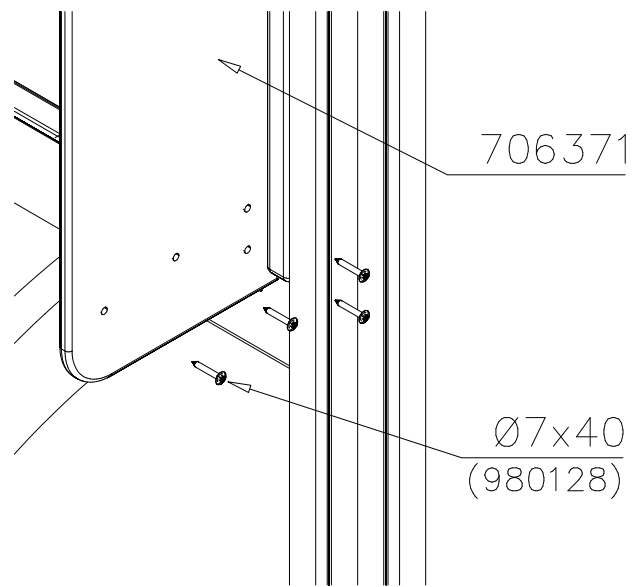
DET 2



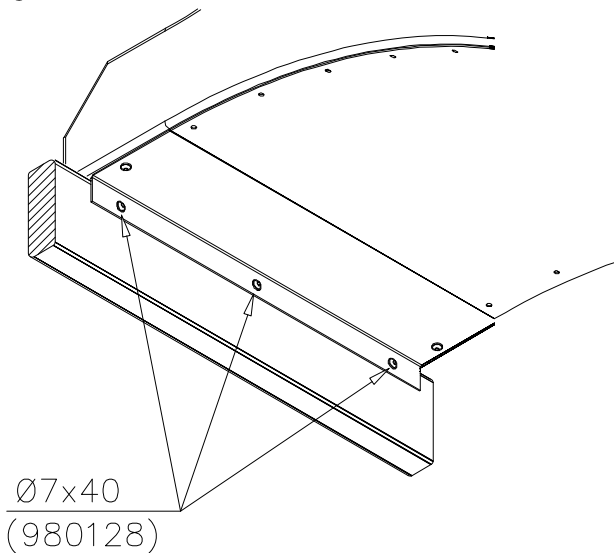
DET 3



DET 4



DET 5







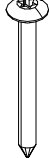
LAPPSET

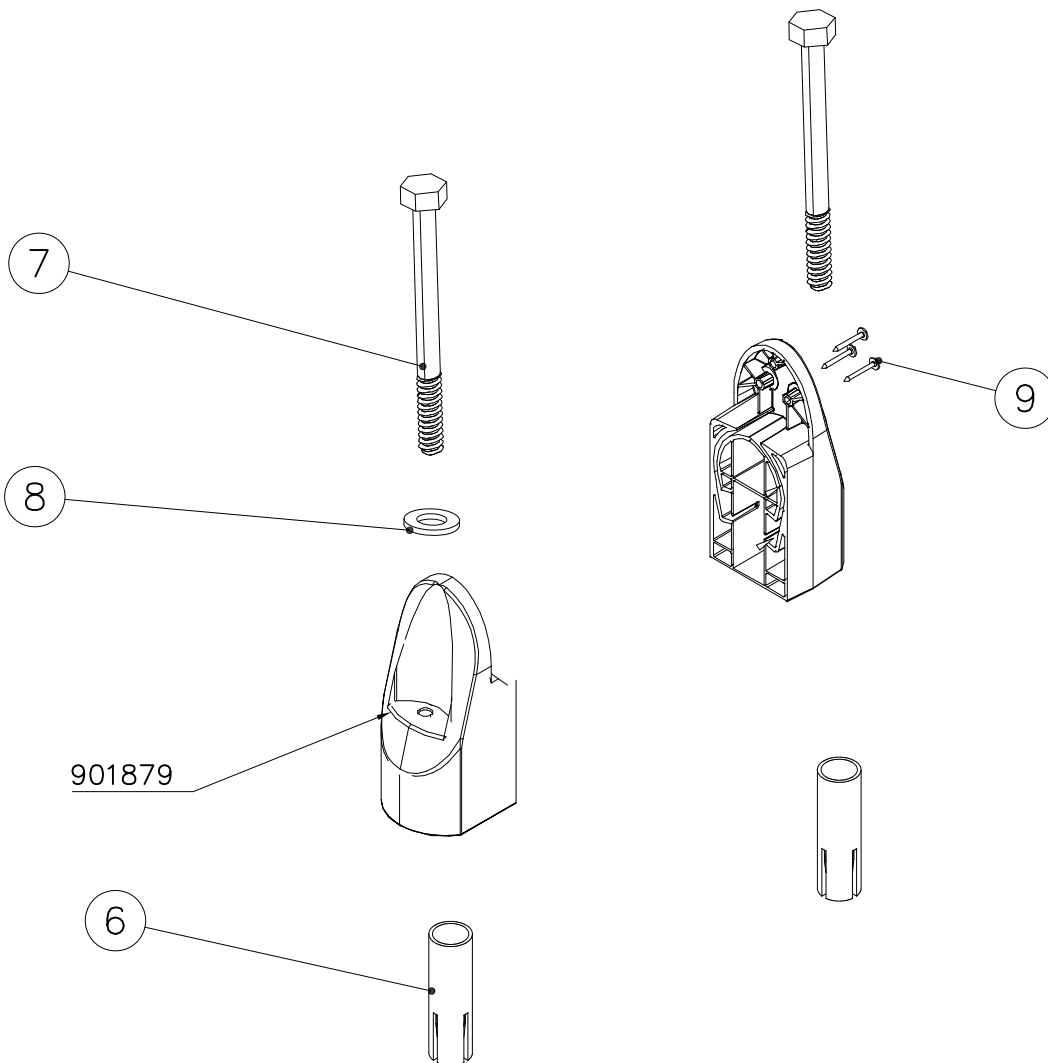
SURFACE FOUNDATION

SLIDE WOOD

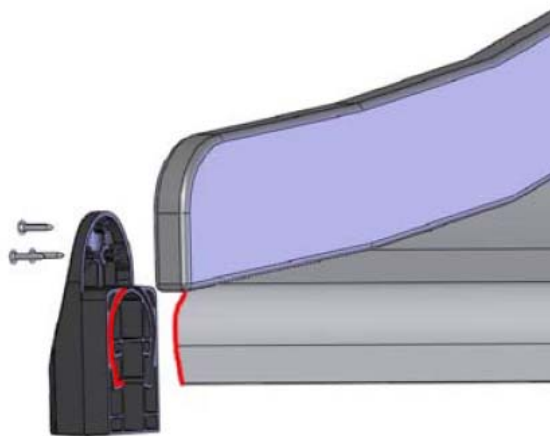
DATE: 3.11.2017

4(5)

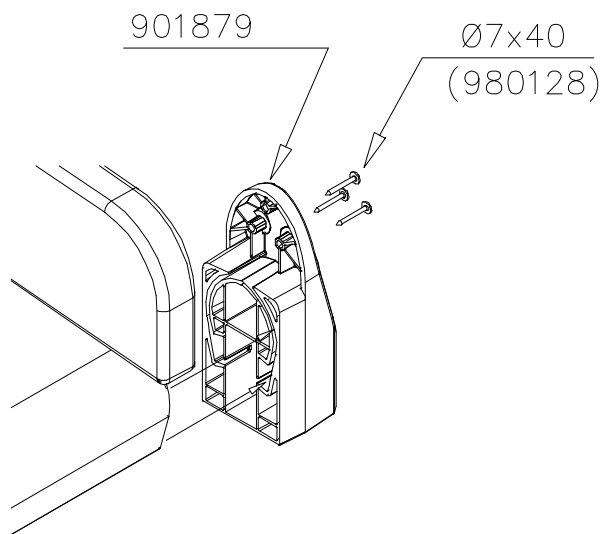
○ 901879	PCS	⑥ 909509	PCS	⑦ 909139	PCS	⑧ 980154	PCS	⑨ 980128	PCS
	2		2		2		4		6
		M12x50		M12x130		Ø24/13		Ø7x40	



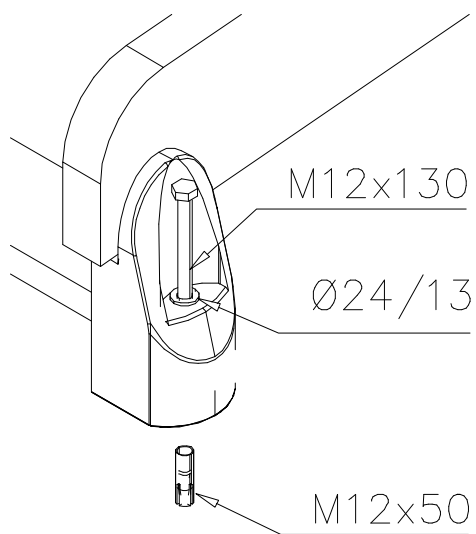
DET 7

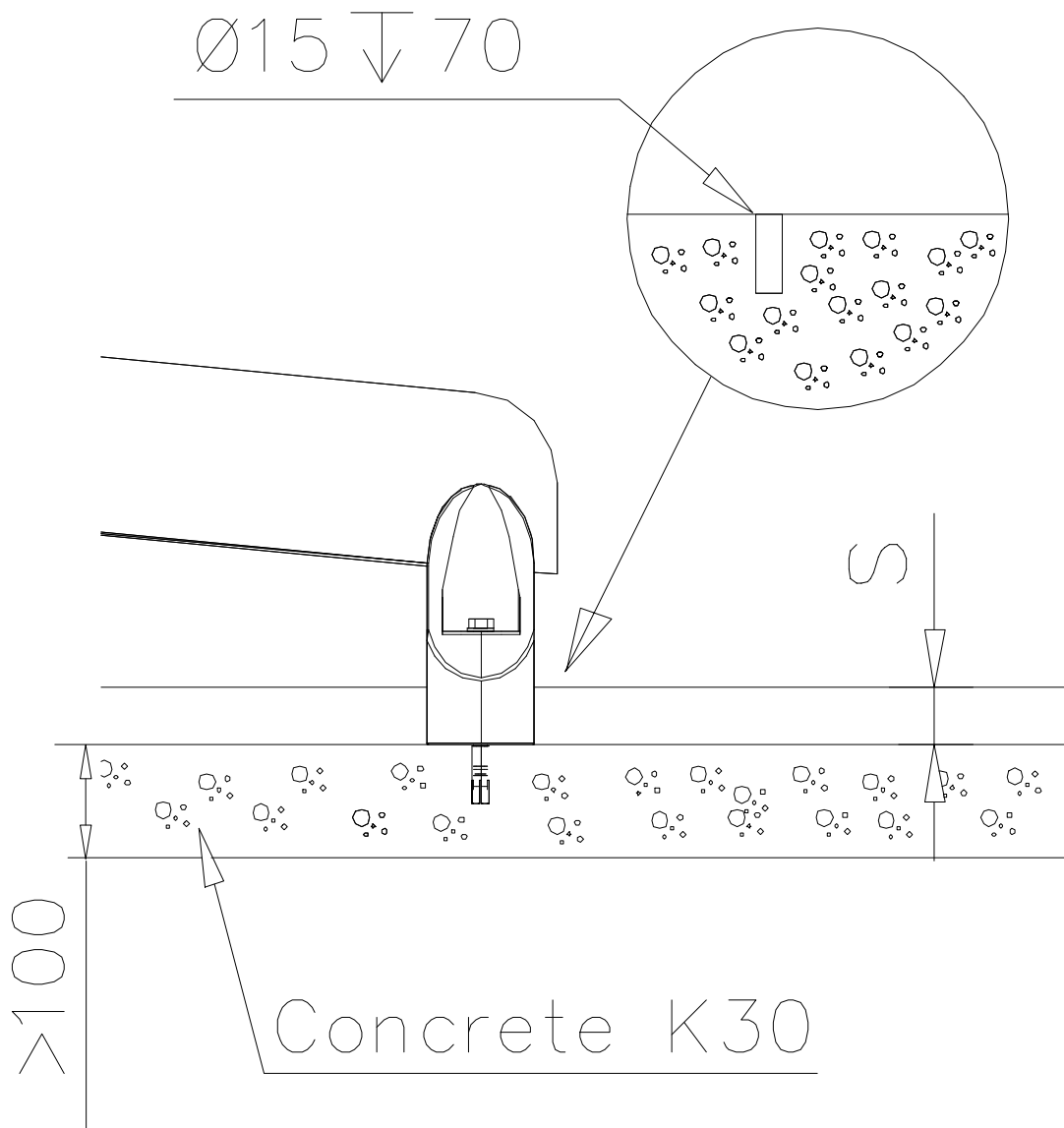


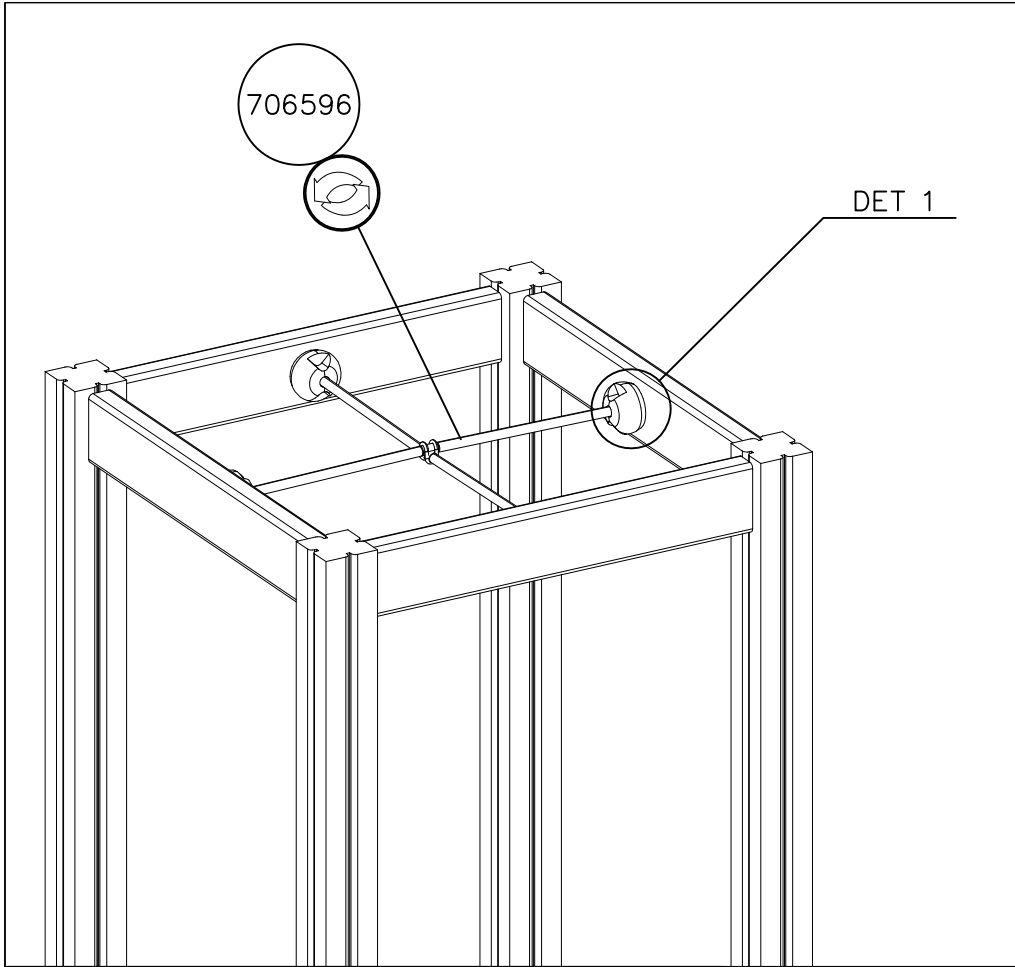
Insert sheet metal IN to the plastic cover.

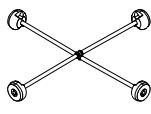
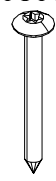



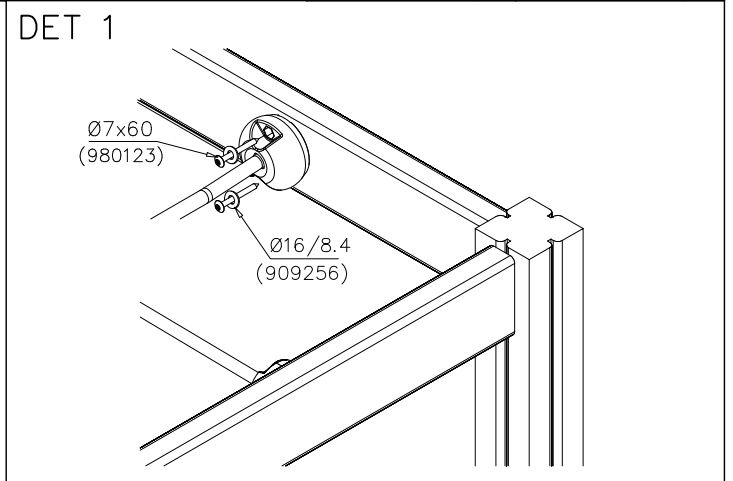
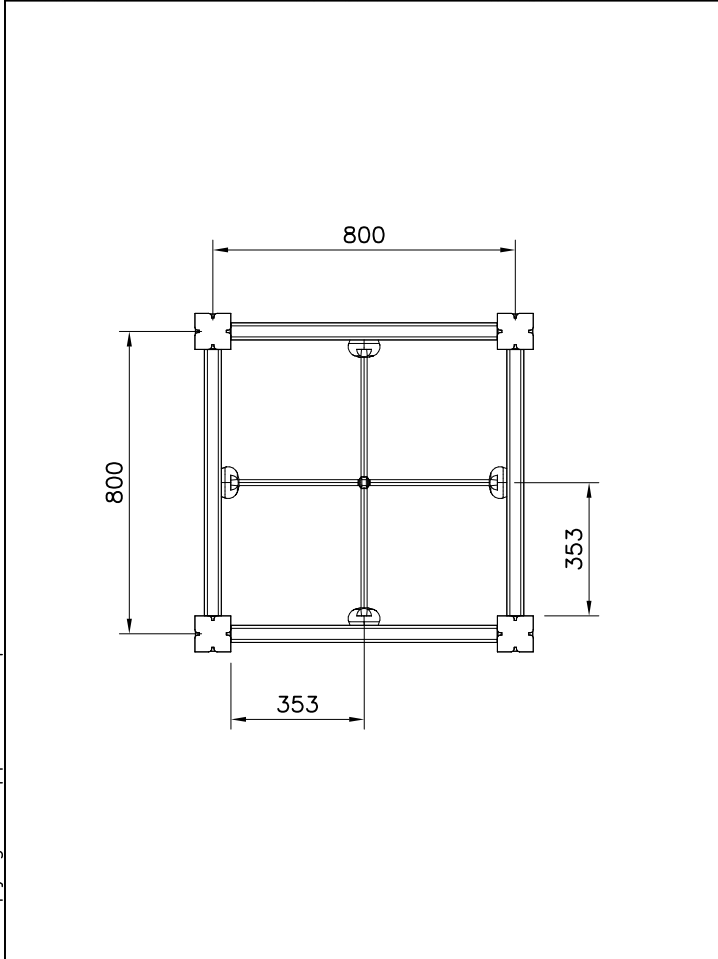
DET 8





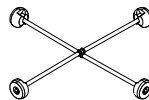


① 706596	PCS	② 980123	PCS
	1		8
755x755		Ø7x60	
	PCS	③ 909256	PCS
			8
		Ø16/8.4	
	PCS		PCS
	PCS		PCS



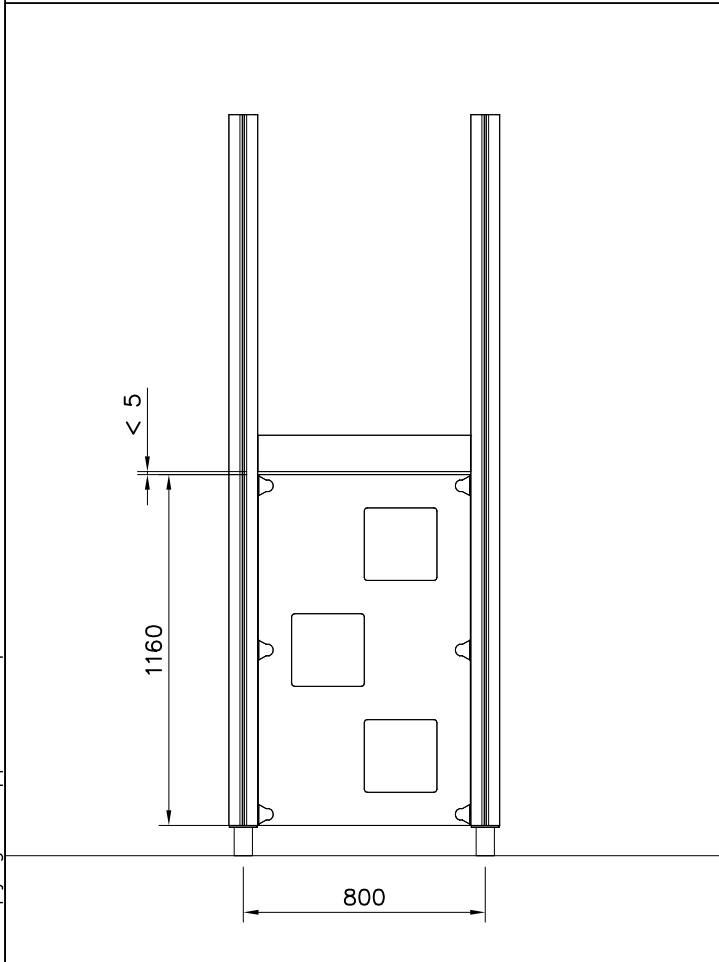
NET OPTIONS

706596



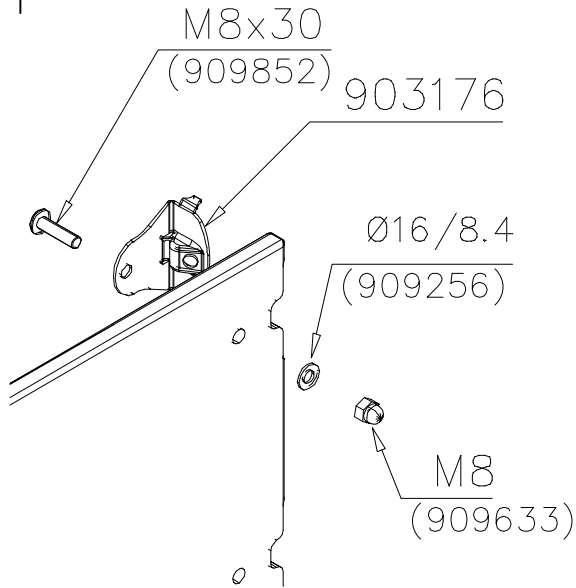
- 706596-301 BLUE
- 706596-302 RED
- 706596-303 BEIGE
- 706596-304 GRAY
- 706596-305 BLACK
- 706596-306 YELLOW

① 903176	PCS	② 909852	PCS
	6		6
		M8x30	
③ 909256	PCS	④ 909633	PCS
	6		6
Ø16/8.4x1.6		M8	
⑤ 980123	PCS		PCS
	6		
Ø7x60			
	PCS		PCS

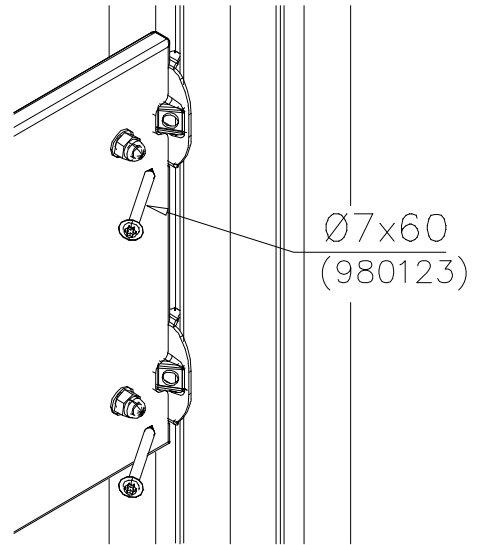


WALL OPTIONS		
706507	706507-701	BLUE
	706507-702	YELLOW
	706507-703	LIME
	706507-704	DARK GRAY
	706507-705	LIGHT GRAY
	706507-706	RED
	706507-707	GREEN
20x702x1160	706507-708	FUXIA

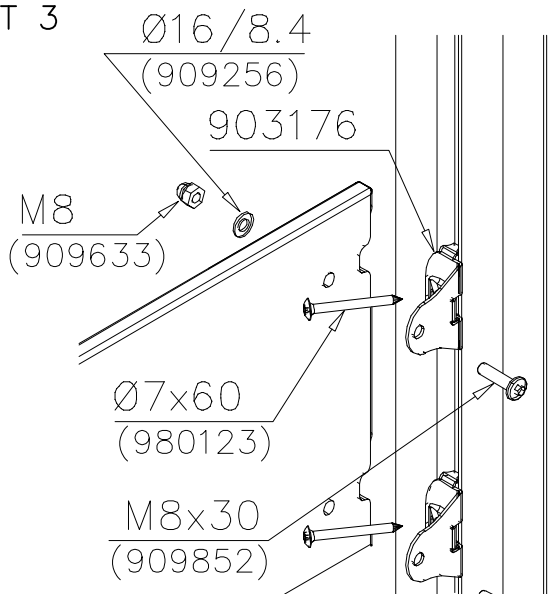
DET 1

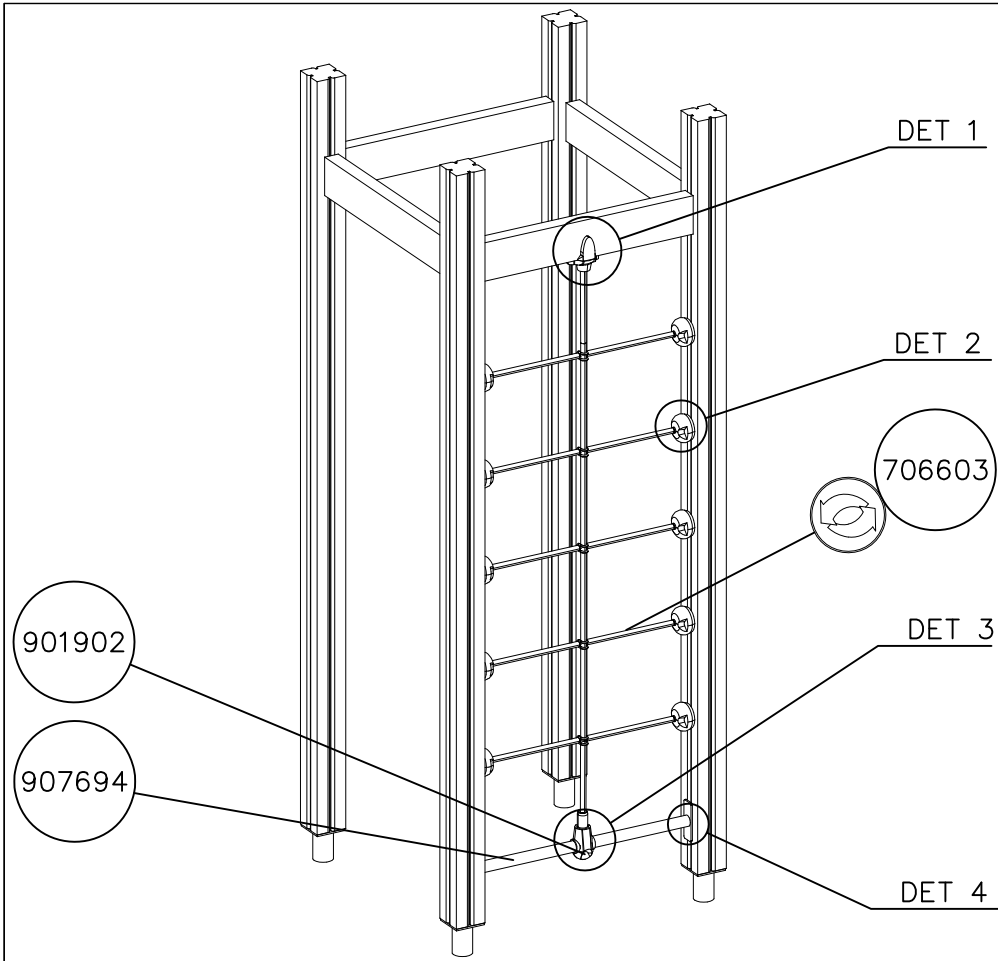


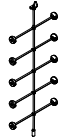


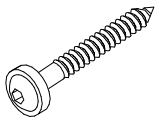
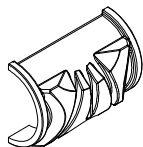
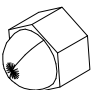
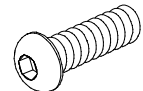
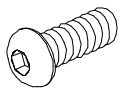
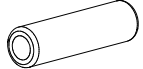

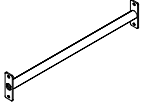
DET 2

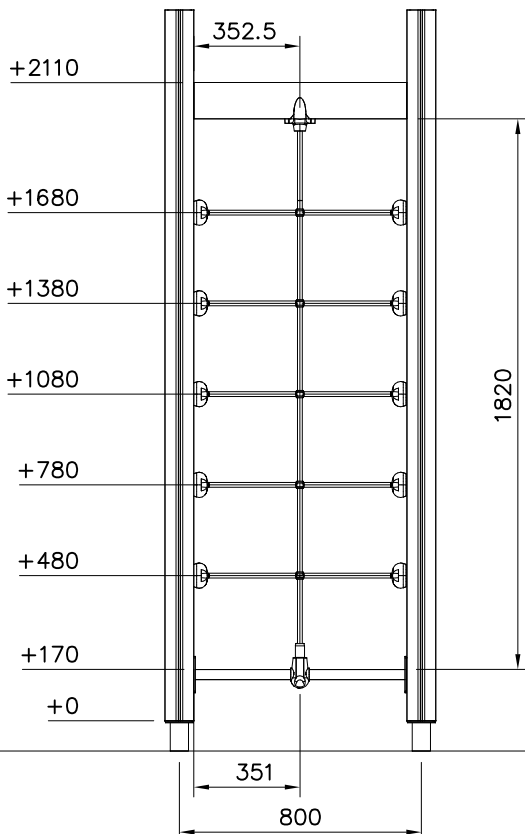


DET 3



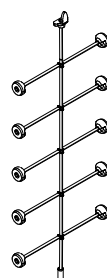


① 706603	PCS	② 980128	PCS
	1		2
1820x702		Ø7x40	
③ 980123	PCS	④ 900240	PCS
	4		24
Ø7x60		Ø8x70	
⑤ 901900	PCS	⑥ 909633	PCS
	2		1
20.5x36.2x56		M8	
⑦ 909850	PCS	⑧ 900342	PCS
	1		2
M8x25		M8x16	
⑨ 901182	PCS	⑩ 901902	PCS
	1		2
Ø11/M8x40		30x61x100	
⑪ 907694	PCS		PCS
	1		
L 704			



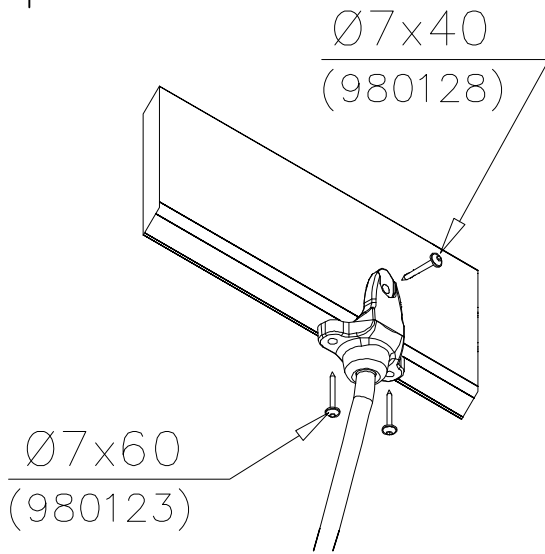
CLIMBING NET OPTIONS

706603

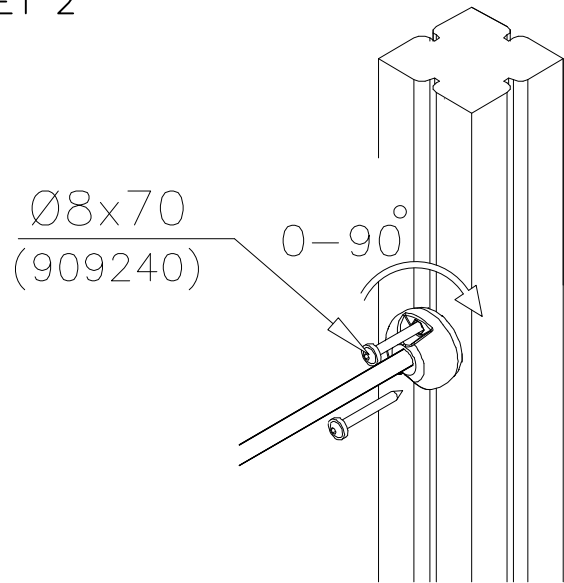


706603-301	BLUE
706603-302	RED
706603-303	BEIGE
706603-304	GRAY
706603-305	BLACK
706603-306	YELLOW

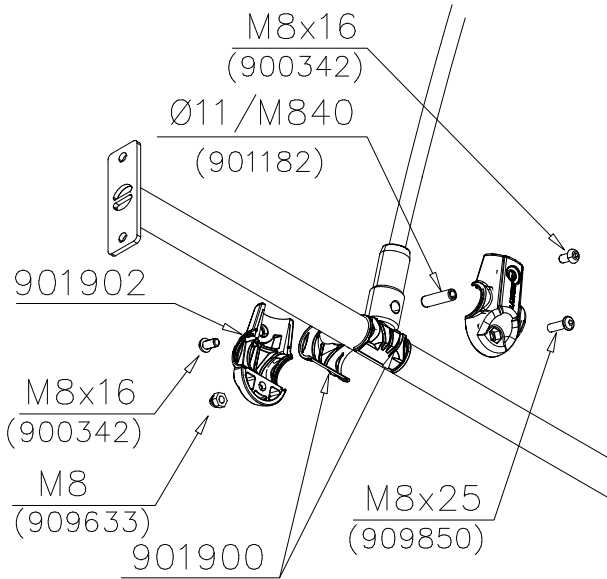
DET 1



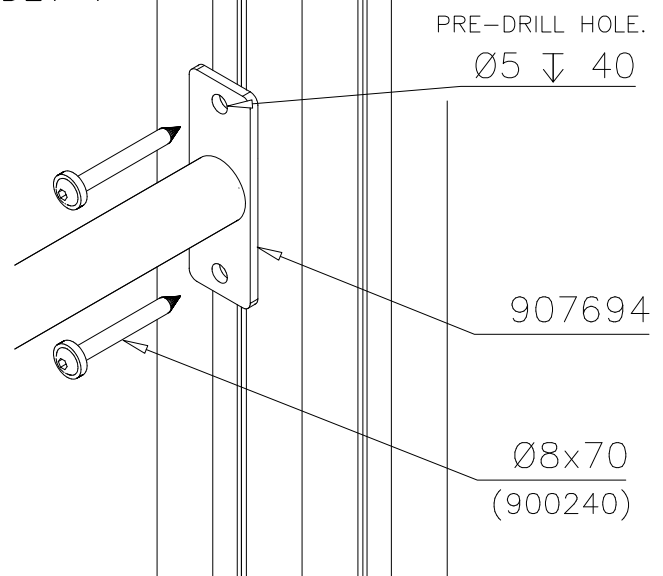
DET 2



DET 3



DET 4



DET 1,2

*Note:
No gaps between:
8–25mm
89–230mm

① 903176	PCS	② 909850	PCS
	4		4
		M8x25	
③ 909256	PCS	④ 909633	PCS
	8		4
Ø16/8.4x1.6		M8	
⑤ 980123	PCS		PCS
	4		
Ø7x60			

800

80

*Note

800

80

*Note

COLOR OPTIONS	
-701	BLUE
-702	YELLOW
-703	LIME
-704	DARK GRAY
-705	LIGHT GRAY
-706	RED
-707	GREEN
-708	FUXIA

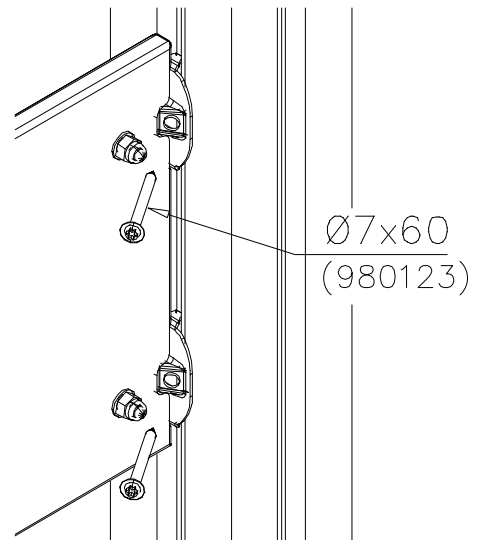
GAME WALL OPTIONS

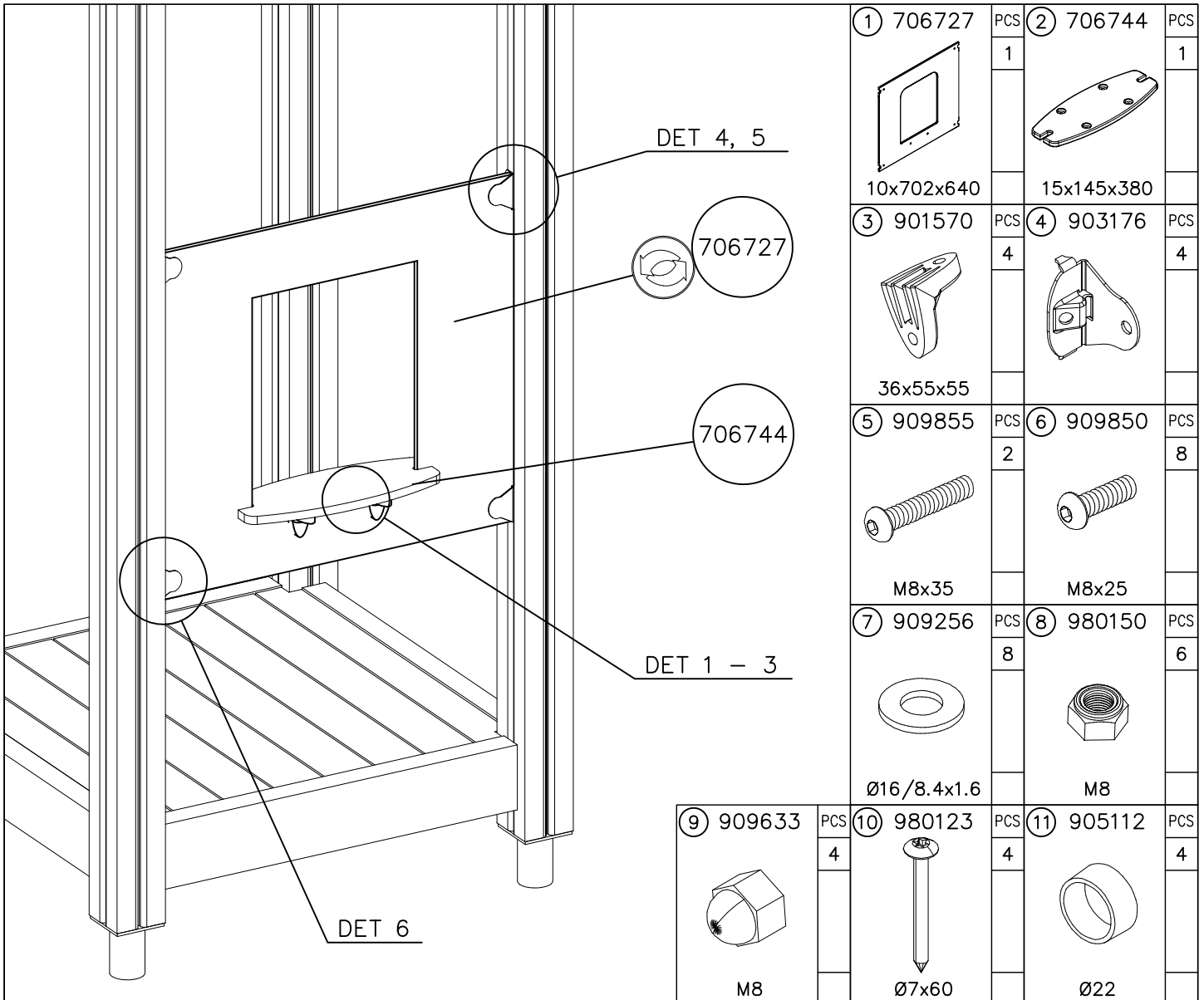
706766	706772	706308	707453
			
640x702	640x702	640x702	640x702
707209	705705	707433	707386
			
640x702	640x702	640x702	640x702
709403	709358	709405	
			
640x702	640x702	420x702	

DET 1

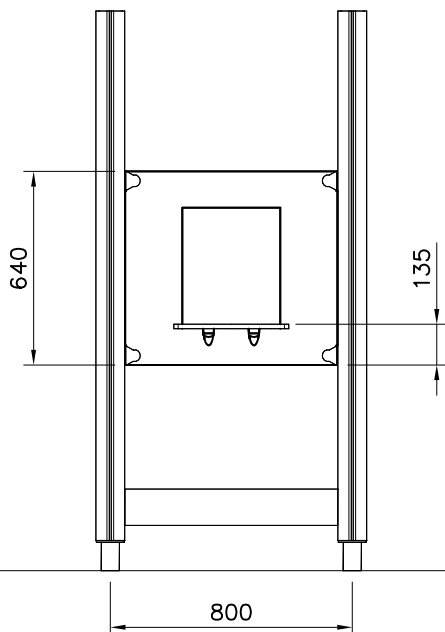


DET 2





① 706727	PCS	② 706744	PCS
	1		1
10x702x640		15x145x380	
③ 901570	PCS	④ 903176	PCS
	4		4
36x55x55			
⑤ 909855	PCS	⑥ 909850	PCS
	2		8
M8x35		M8x25	
⑦ 909256	PCS	⑧ 980150	PCS
	8		6
Ø16/8.4x1.6		M8	
⑨ 909633	PCS	⑩ 980123	PCS
	4		4
M8		Ø7x60	
		⑪ 905112	PCS
			4
		Ø22	

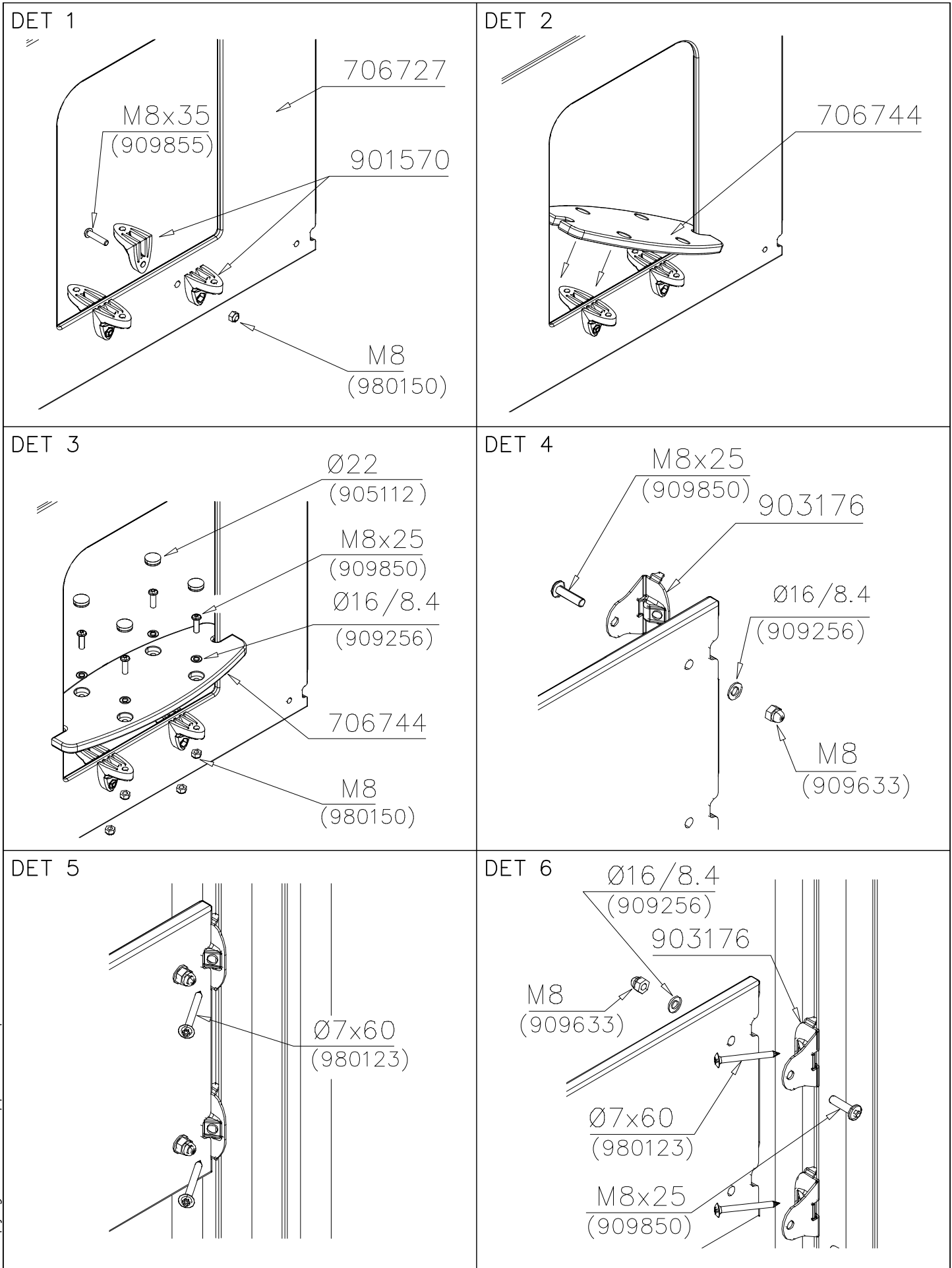


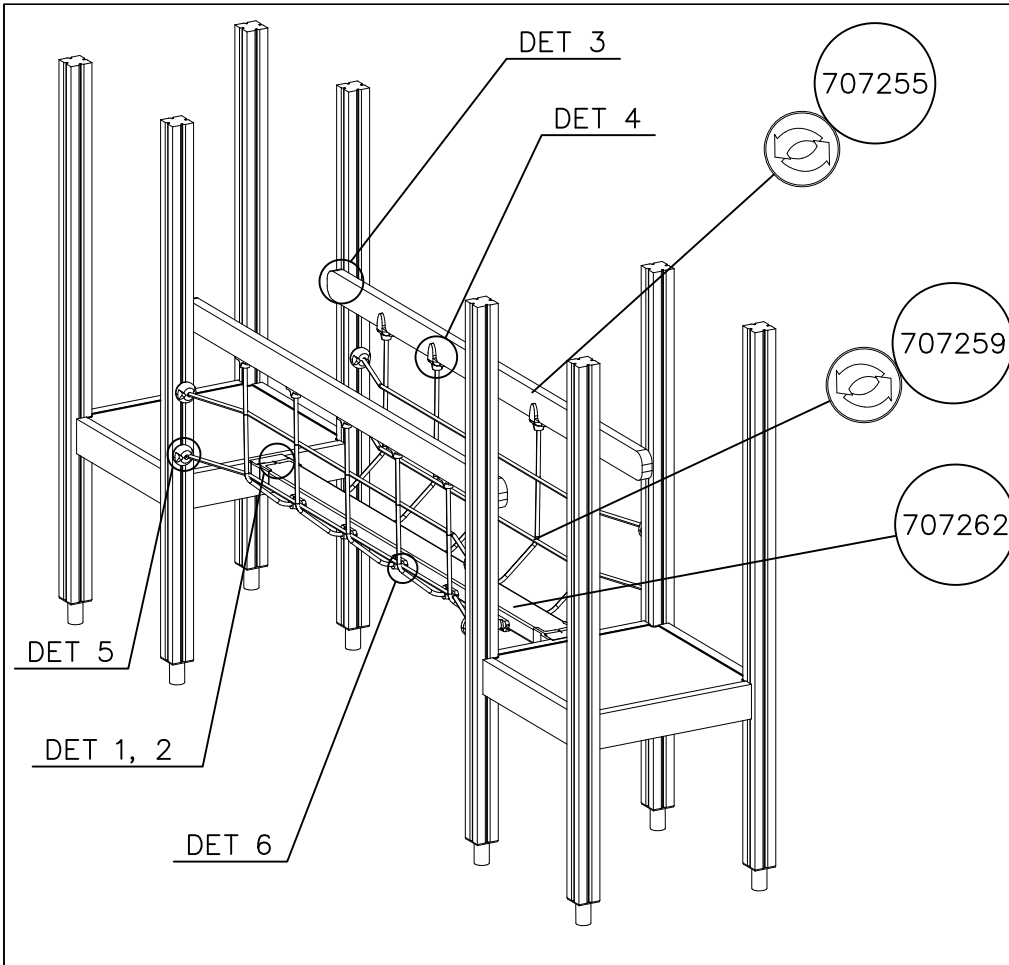
WALL OPTIONS

706727	706727-701	BLUE
	706727-702	YELLOW
	706727-703	LIME
	706727-704	DARK GRAY
	706727-705	LIGHT GRAY
	706727-706	RED
	706727-707	GREEN
	706727-708	FUXIA

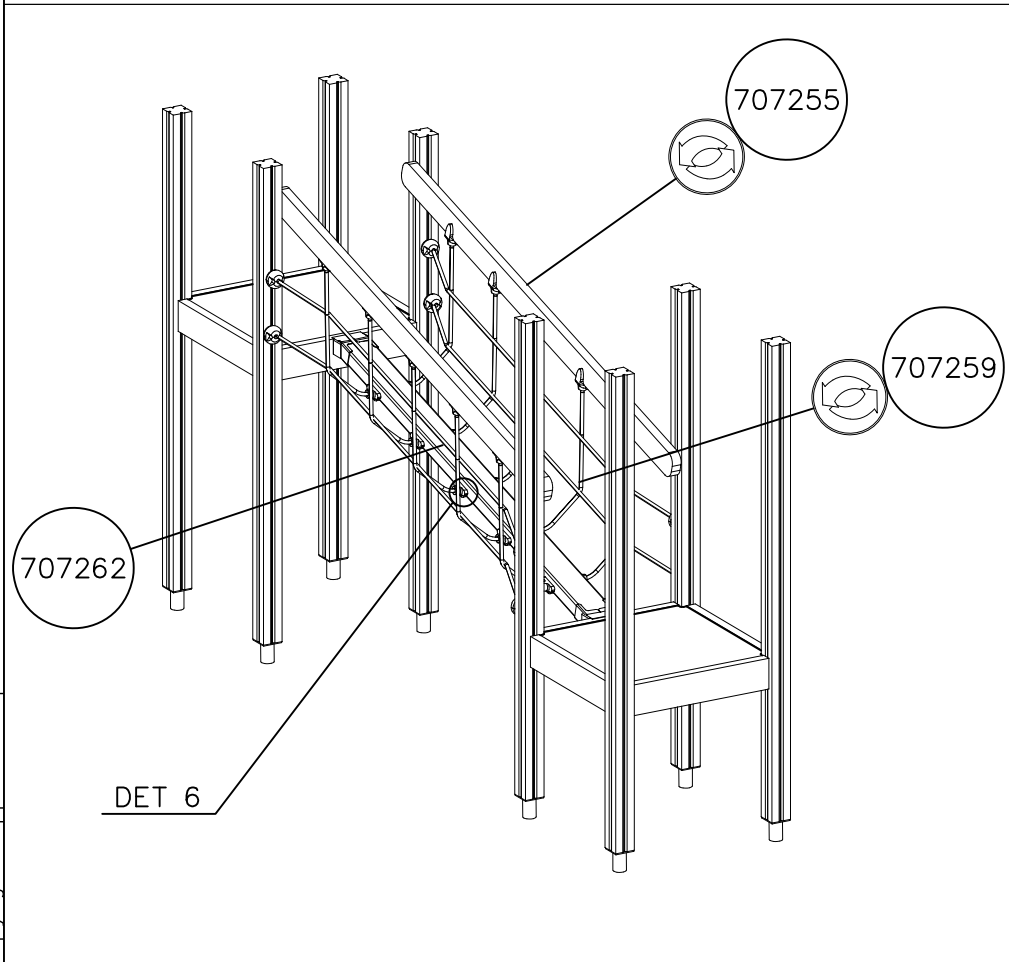
WALL OPTIONS

706744	706744	DARK GRAY
15x145x380		

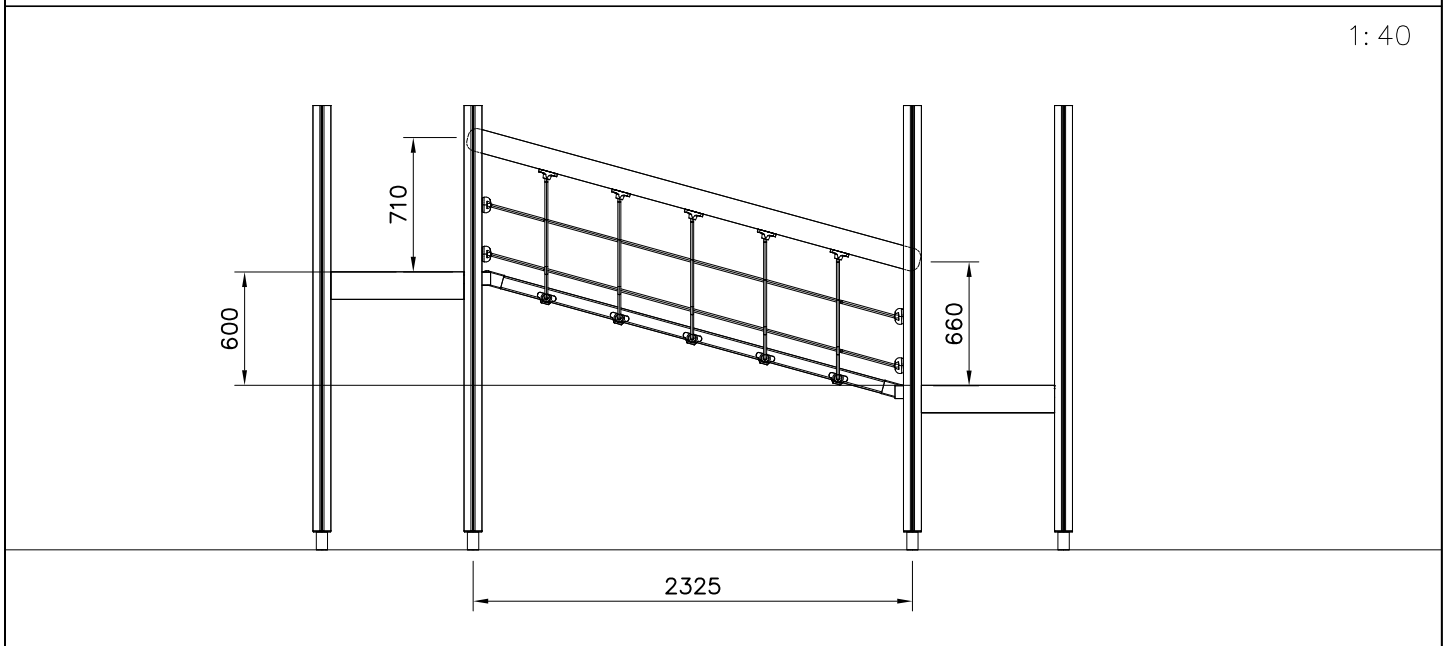
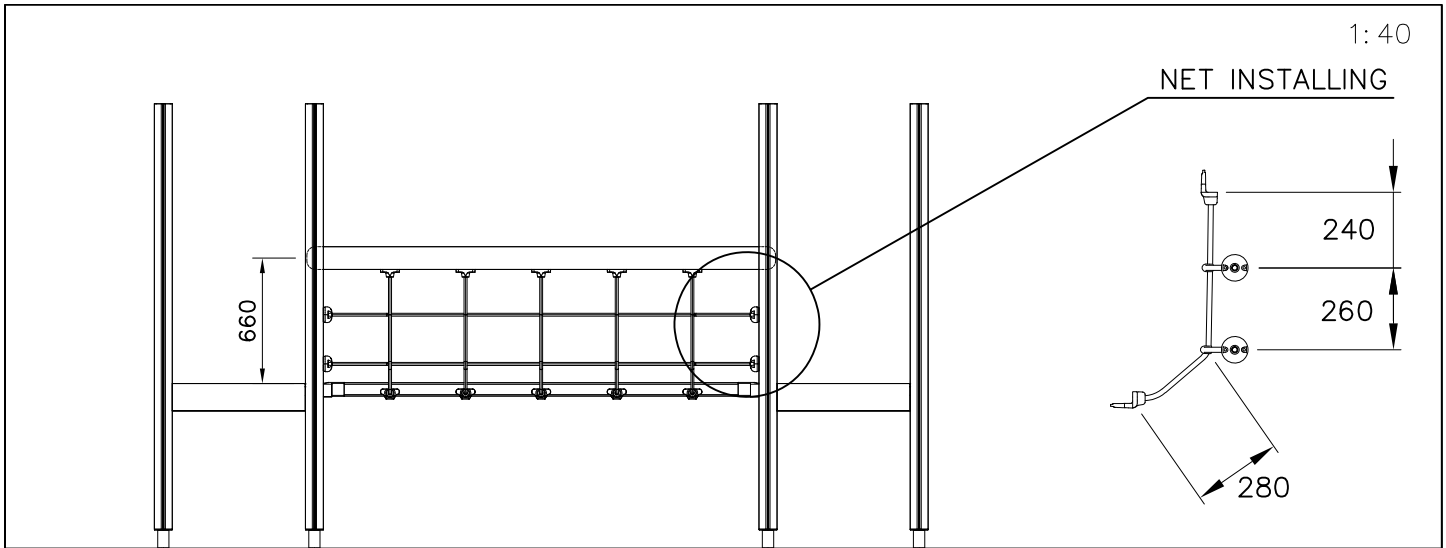




① 707255	PCS	② 707259	PCS
	2		2
45x120x2480		2340x800	
③ 707262	PCS	④ 980123	PCS
	1		40
		Ø7x60	
⑤ 980128	PCS	⑥ 909232	PCS
	28		4
Ø7x40		8x120	
⑦ 900240	PCS	⑧ 980151	PCS
	16		4
8x70		Ø16/8.4	

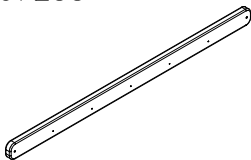


⑨ 905083	PCS	⑩ 905112	PCS
	4		8
Ø32		Ø22	
	PCS		PCS
	PCS		PCS
	PCS		PCS



BOOM OPTIONS

707255



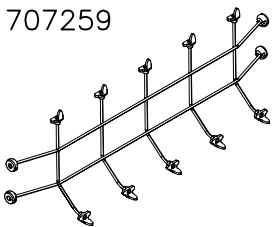
45x120x2480

- 707255-602 DARK BROWN
- 707255-603 LIGHT BROWN
- 707255-604 LIGHT GRAY
- 707255-605 DARK GRAY
- 707255-606 GRAY
- 707255-607 RED

- 707255-608 BLUE
- 707255-609 GREEN
- 707255-610 YELLOW
- 707255-611 LIME
- 707255-612 FUXIA

NET OPTIONS

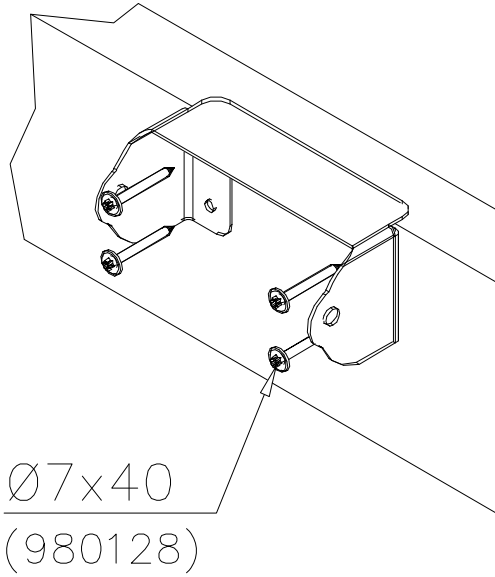
707259



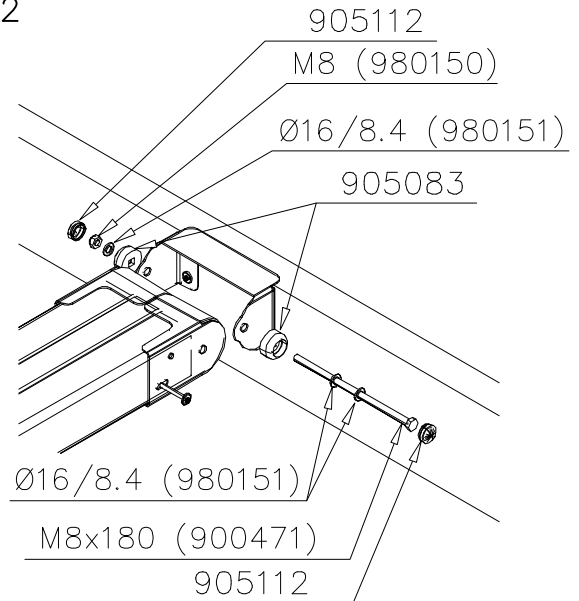
2340x800

- 707259-301 BLUE
- 707259-302 RED
- 707259-303 BEIGE
- 707259-304 GRAY
- 707259-305 BLACK
- 707259-306 YELLOW

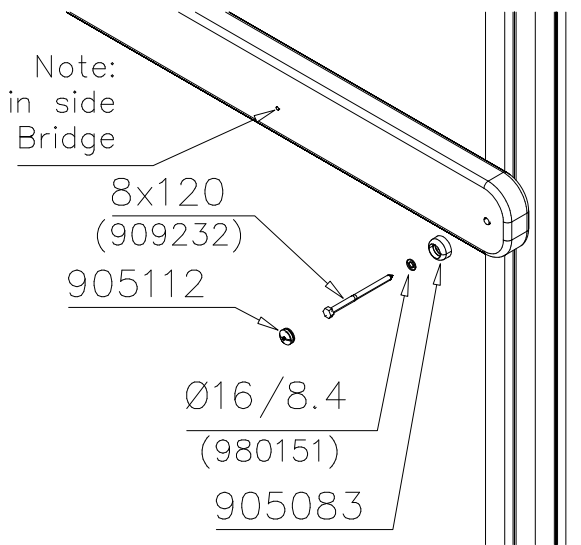
DET 1



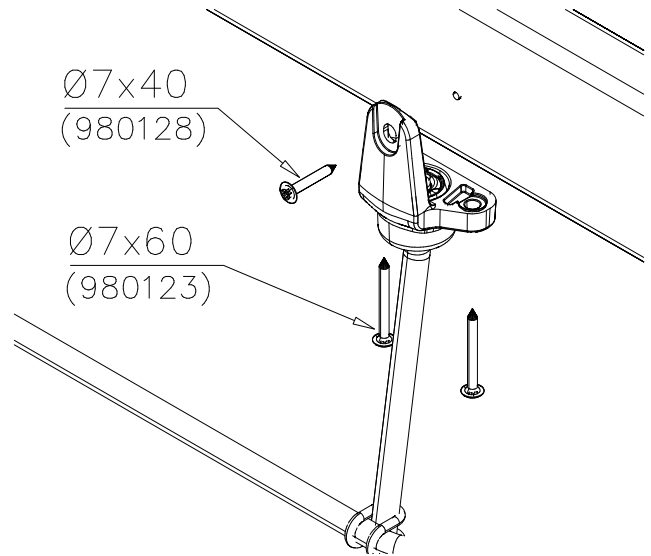
DET 2



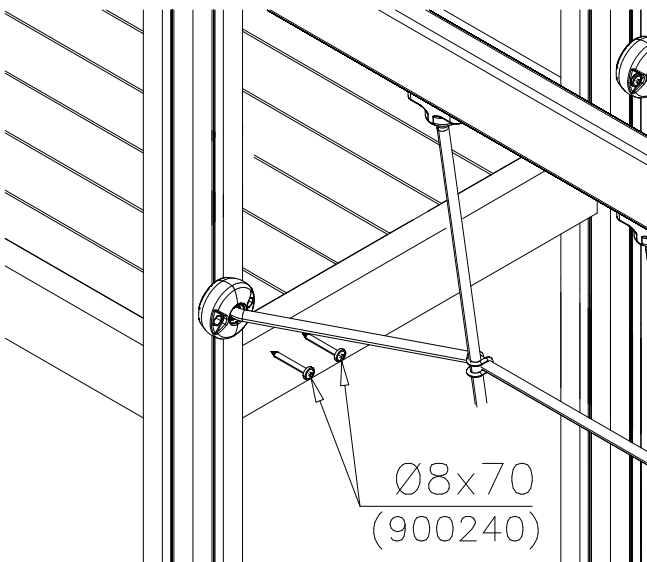
DET 3



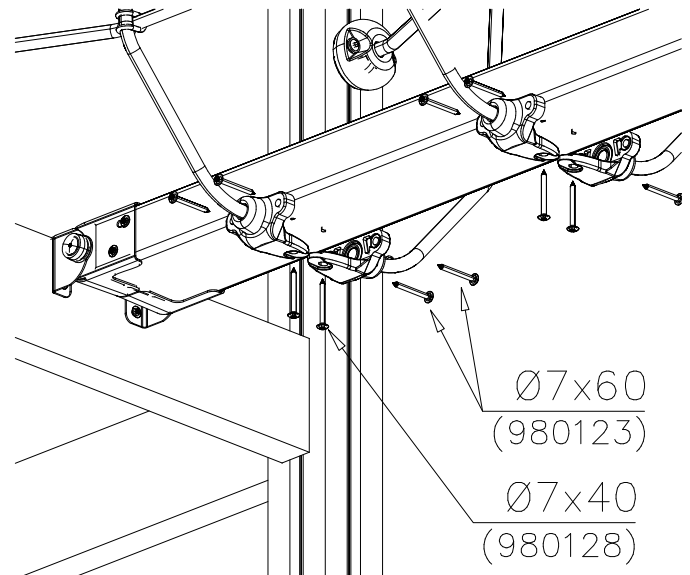
DET 4



DET 5

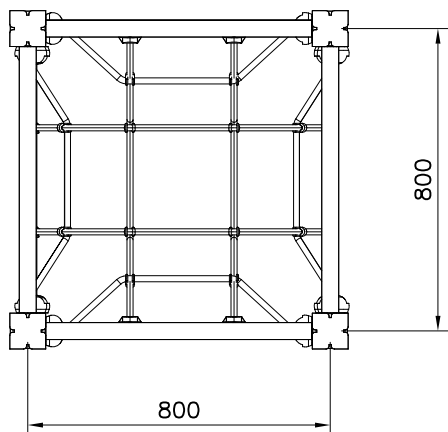
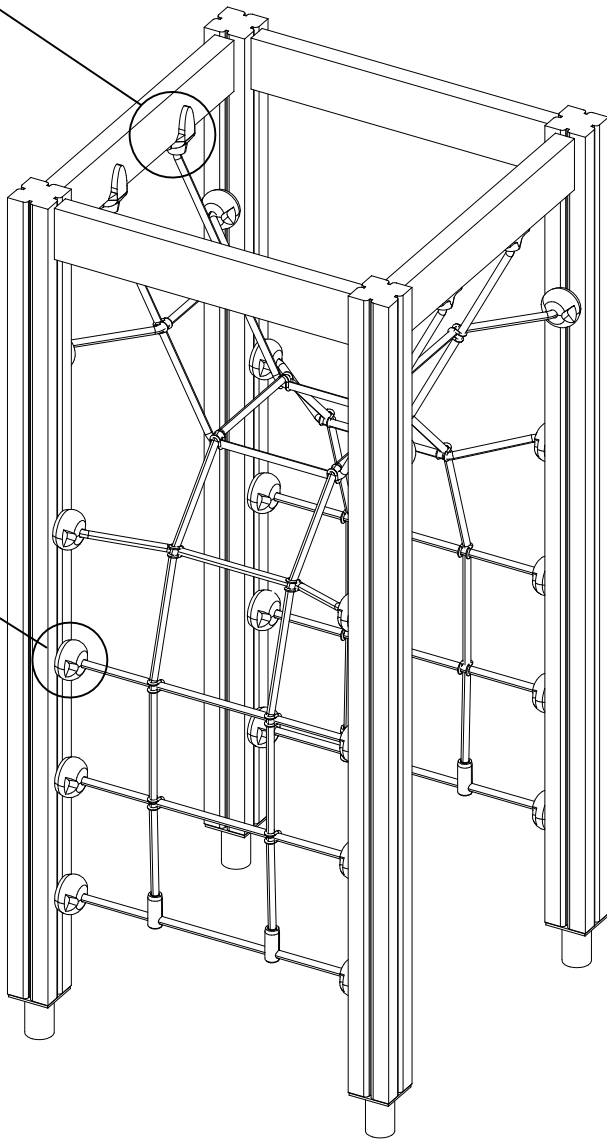


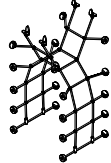
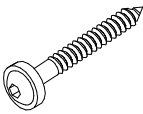


DET 6



DET 1

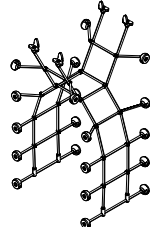
DET 2



① 707341  1520x705	PCS 1	② 900240  Ø8x70	PCS 40
③ 980123  Ø7x60	PCS 8	④ 980128  Ø7x40	PCS 4
	PCS		PCS
	PCS		PCS
	PCS		PCS
	PCS		PCS

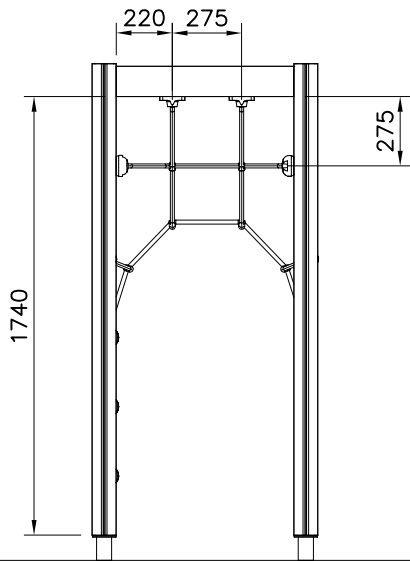
NET OPTIONS

707341

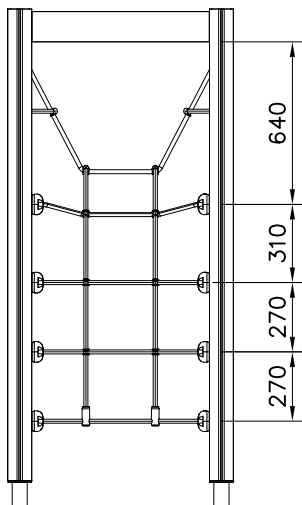
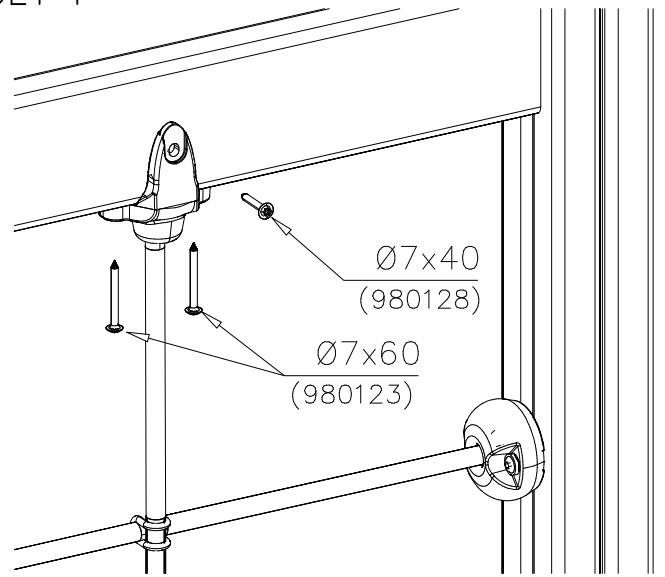


1520x705

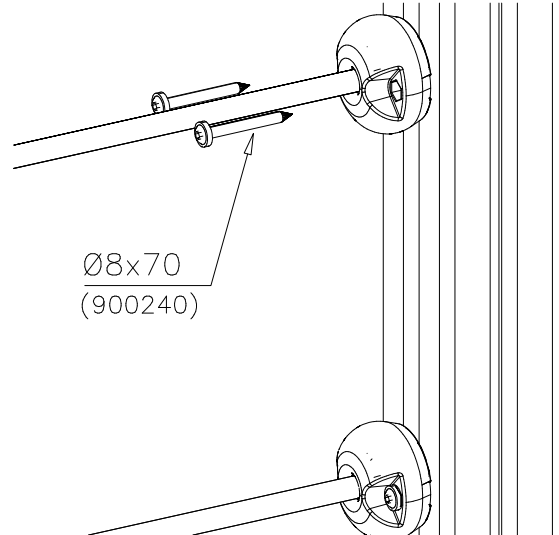
707341-301	BLUE
707341-302	RED
707341-303	BEIGE
707341-304	GREY
707341-305	BLACK



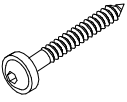
DET 1

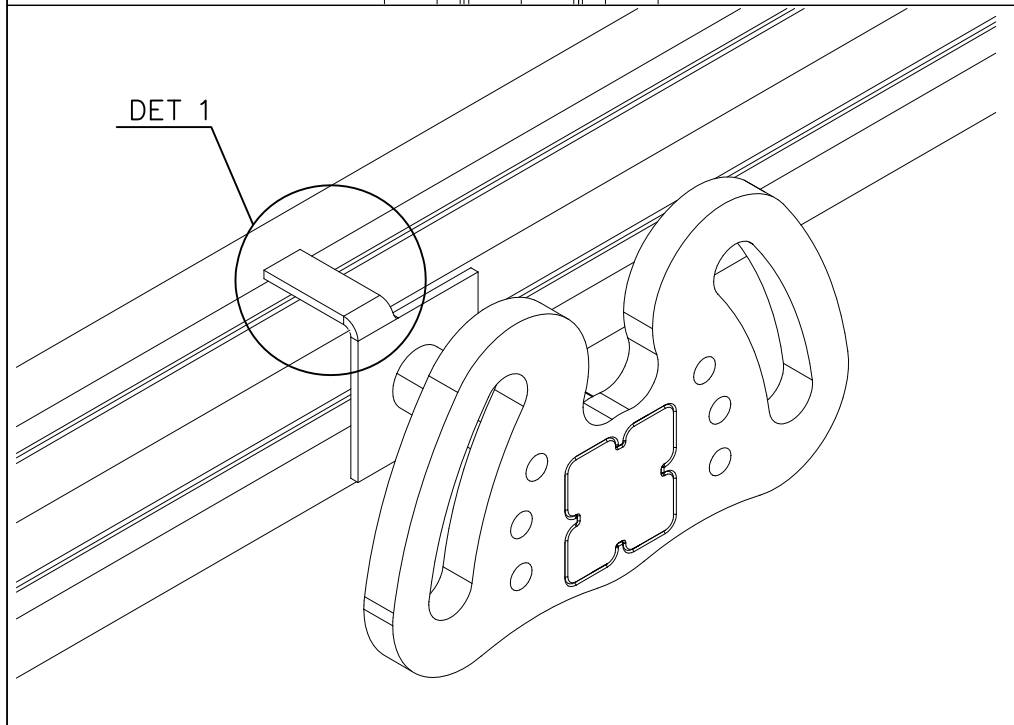


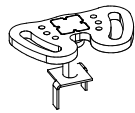
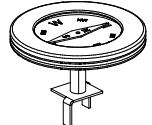
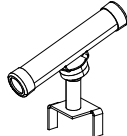
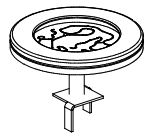
DET 2

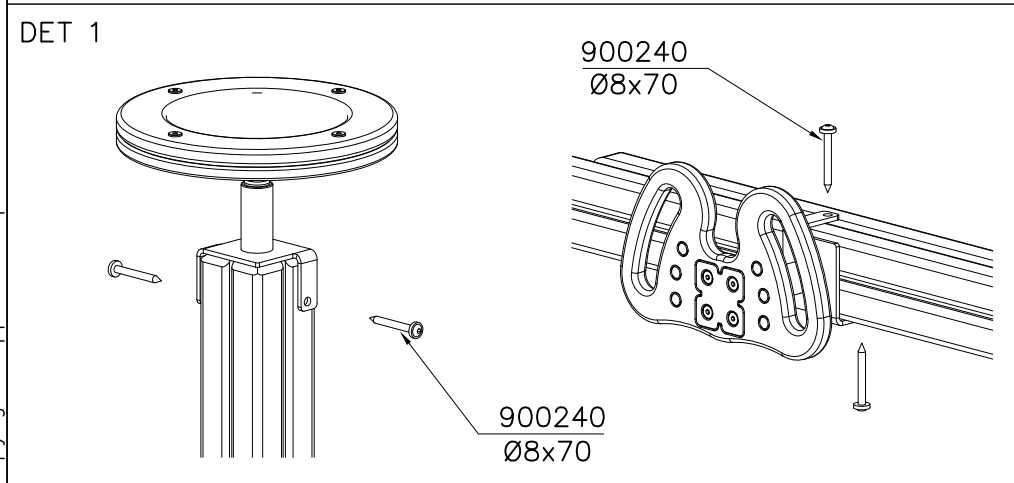




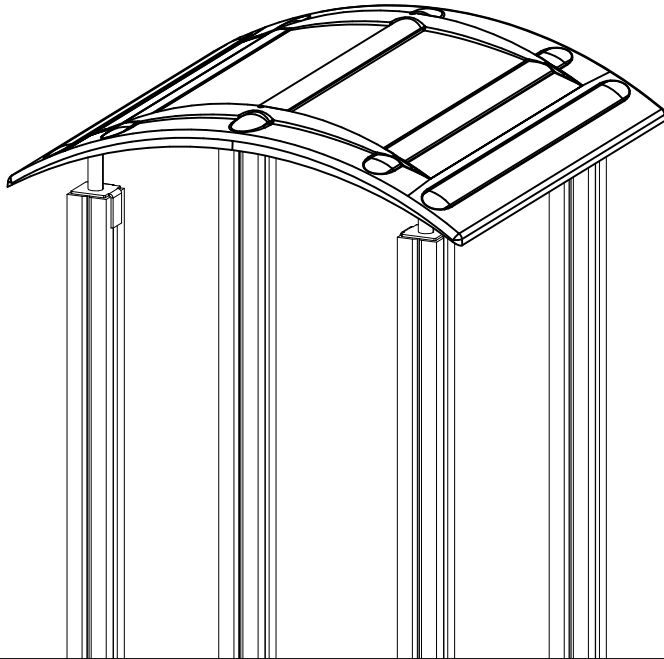
① 900240	PCS		PCS
	2		
Ø8x70			
	PCS		PCS
	PCS		PCS

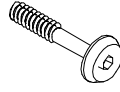



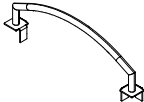



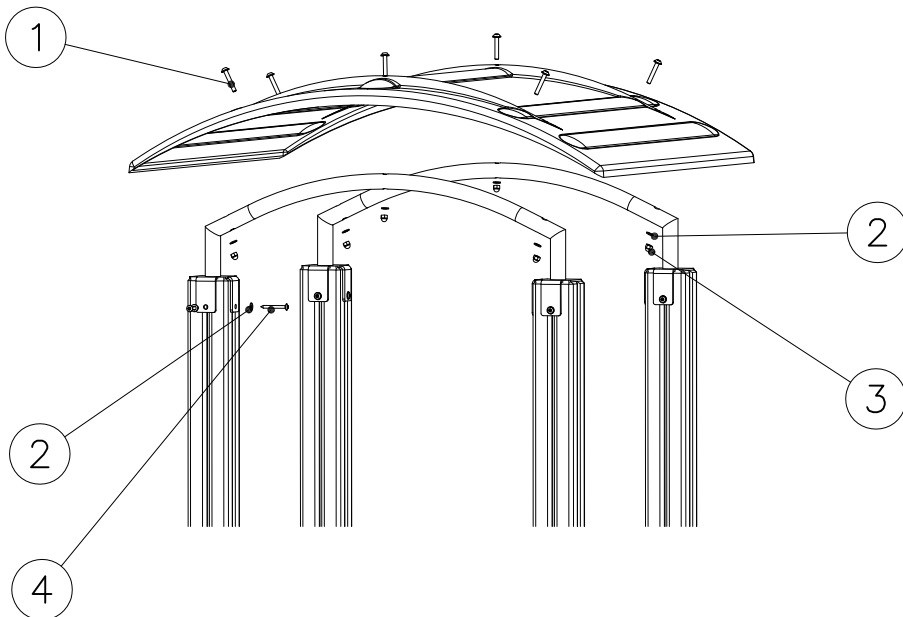
○ 707302	PCS	○ 707303	PCS
	1		1
○ 707304	PCS	○ 707305	PCS
	1		1
	PCS		PCS



	PCS		PCS
	PCS		PCS



①	909868	PCS	②	909256	PCS
		6			14
					
	M8x50			Ø16/8.4	
③	909633	PCS	④	980123	PCS
		6			8
					
	M8			Ø7x60	
		PCS			PCS
		PCS			PCS
○	908330	PCS	○	908251	PCS
		2			1
					
				1100x1100x215	
		PCS			PCS
		PCS			PCS
		PCS			PCS

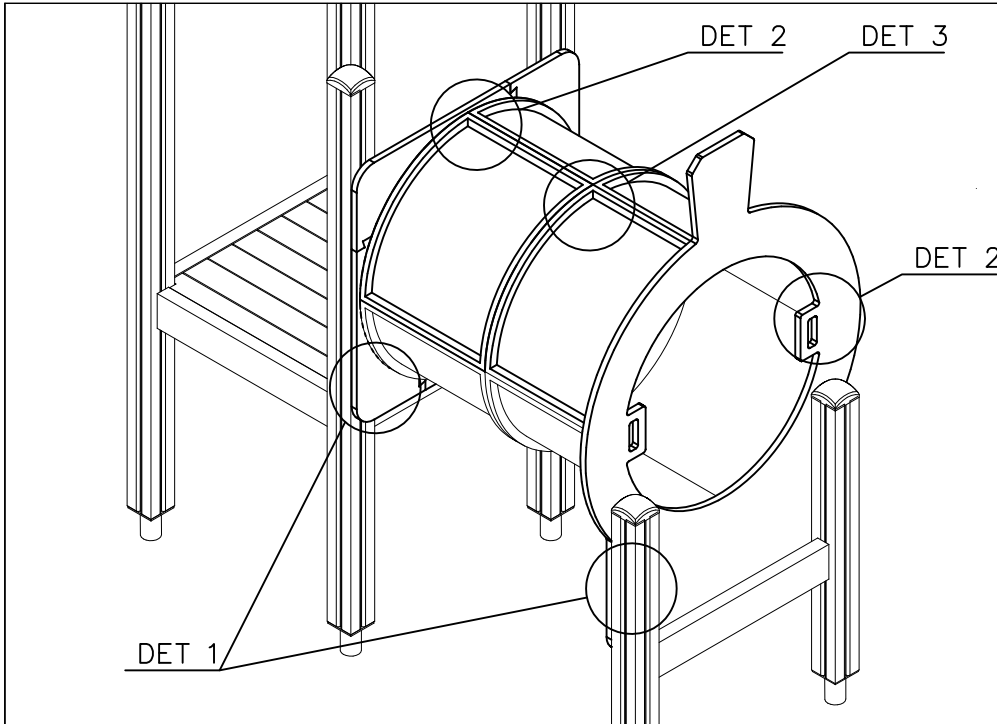


LAPPSET® FASTENER KIT

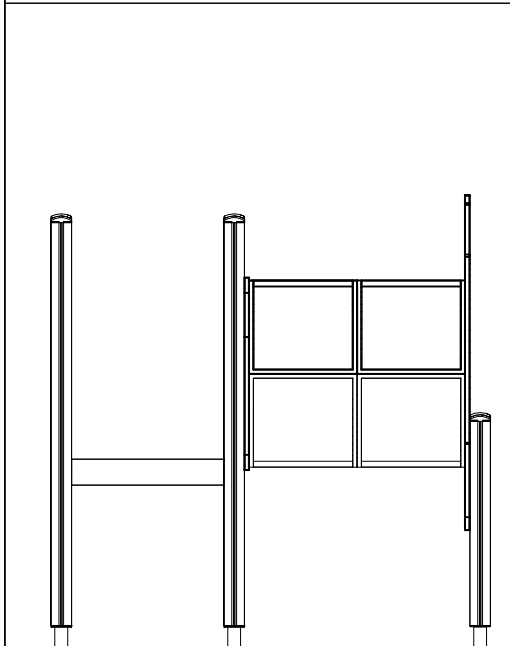
707649

DATE: 9.6.2016

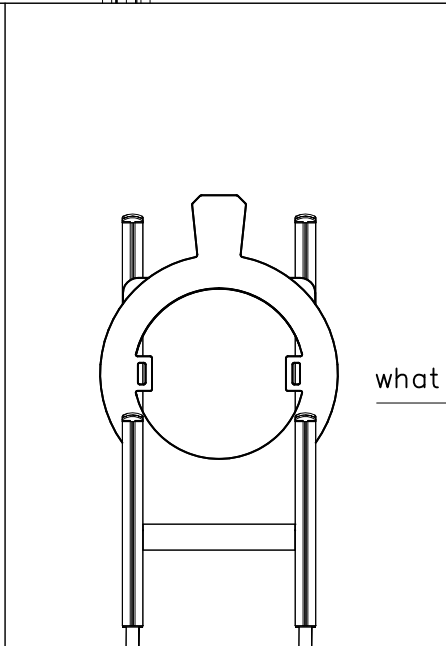
1(1)



① 900240	PCS 17	② 905112	PCS 112
Ø8x70		Ø22	
③ 905831	PCS 112	④ 909205	PCS 40
Ø32x19		M8x60	
⑤ 909208	PCS 32	⑥ 909866	PCS 32
M8		M8x60	
⑦ 903533	PCS 6	⑧ 980150	PCS 40
SRL12		M8	



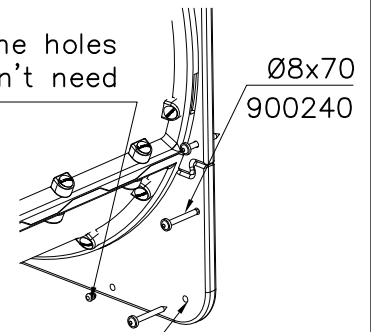
800 1140



800

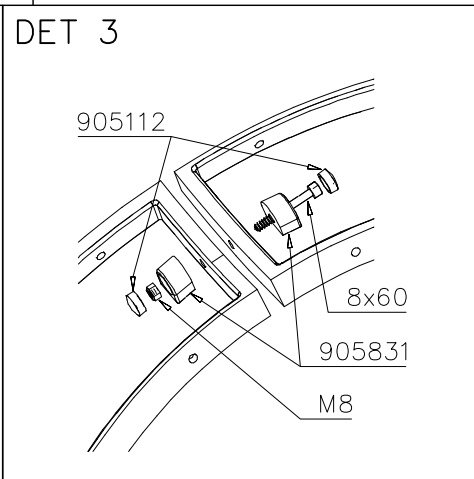
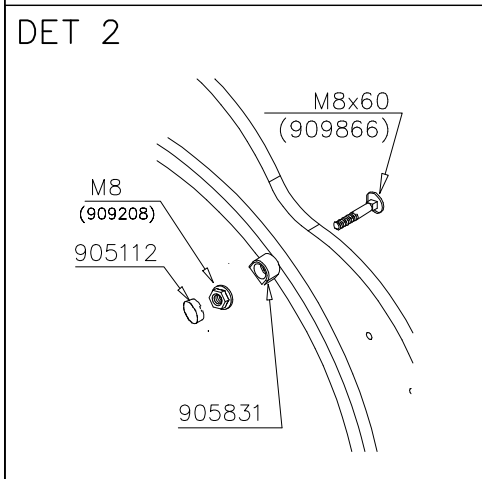
DET 1

Plug the holes
what you don't need



Ø8x70
900240

Drill through the
holes you need



○ 707918	PCS 4	○ 707599	PCS 1
20x275x640		21x1100x1550	
○ 905821	PCS 4	○ 905829	PCS 4
GRAY		STRAIGHT CLE	



Tuotekyltti tulee tuotteen mukana yhdellä seuraavista tavoista:

1) Metallinen tuotekyltti ja kiinnitysruuvit

- Kiinnitä tuotekyltti ruuveilla tolppaan noin 2 metrin korkeuteen kuvan 1 mukaisesti.

2) Tuotekylttitarra

- Puhdista maalattu metalli- tai vaneripinta pölystä ja kosteudesta. Liimaa tarra kuvan 2 mukaisesti.
- Huom. Älä kiinnitä tarraa karheapintaiseen laminaattiin tai maalattuun puuhun.

Vår produktmärkning levereras på ett av följande sätt:

1) Produktskylt i metall

- Fäst skylten med de medföljande skruvarna

2) Självhäftande produktetikett

- Rengör den pulverlackerade metallytan eller laminatyten så att den blir fri från smuts och fukt. Fäst etiketten enligt fig. 2.
- Obs! Fäst ej etiketten på detaljer med skrovlig yta eller på målat trä.

Product label is delivered by one of following ways:

1) Metal product label and screws

- Fasten the label with screws.

2) Label sticker

- Clean the painted metal or plywood surface from dirt and moisture. Fasten the sticker as shown in the figure 2.
- Note. Do not attach the sticker to rough surfaced laminate or painted wood.

La plaque d'informations produit est livrée sous l'une de ces 3 formes :

1) Plaque métallique et vis

- Fixez la plaque à l'aide des vis.

2) Etiquette autocollante

- Avant de coller l'étiquette, nettoyez le composant métallique peint ou la plaque de contreplaqué, de toute saleté. La surface doit être sèche (voir image 2).
- Attention, ne pas coller l'étiquette sur une surface lamellé-collée irrégulière ou sur du bois peint.

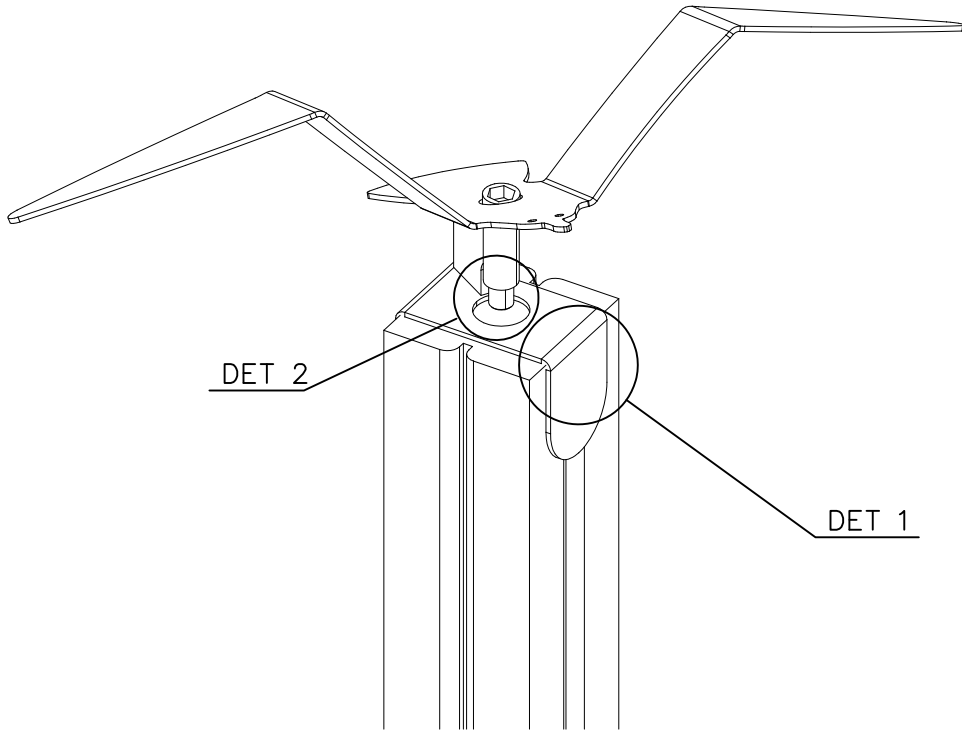
Die Auslieferung des Produktaufklebers erfolgt auf eine dieser Arten:

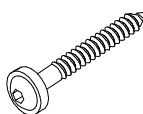
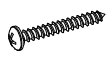
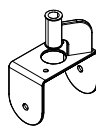

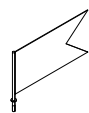

1) Produkt-Schild aus Metall incl. Schrauben

- Die Befestigung des Schildes erfolgt mittels der Schrauben.

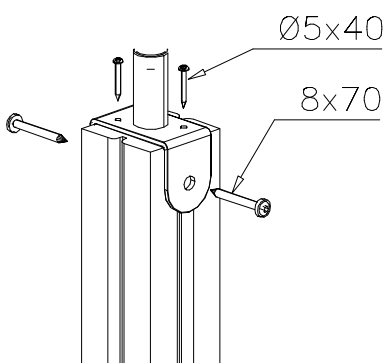
2) Aufkleber

- Entfernen Sie zunächst Schmutz und Feuchtigkeit vom lackierten Metall bzw. von der Holzoberfläche und bringen Sie den Aufkleber wie im Bild oben rechts beschrieben auf den gesäuberten Untergrund auf.
- Beachten Sie: Bringen Sie den Aufkleber nicht auf raues laminiertes oder lackiertes Holz an.

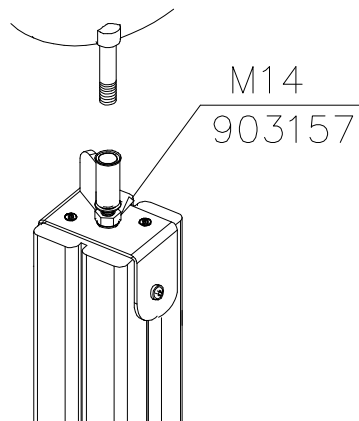


① 900240	PCS	② 980106	PCS
	2		2
Ø8x70		Ø5x40	
③ 907082	PCS		PCS
	1		
Ø8x70			
	PCS		PCS
	PCS		PCS
○ 908357	PCS	○ 900793	PCS
	1		1
○ 903157	PCS		PCS
	1		
M14			
	PCS		PCS
	PCS		PCS

DET 1

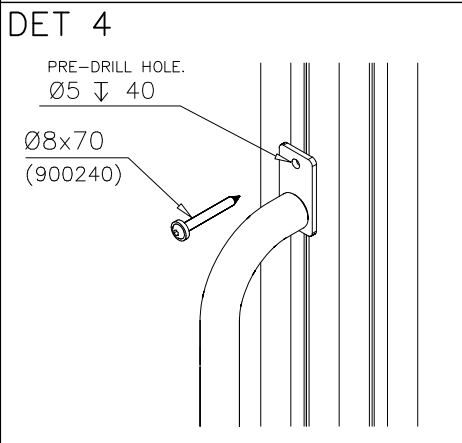
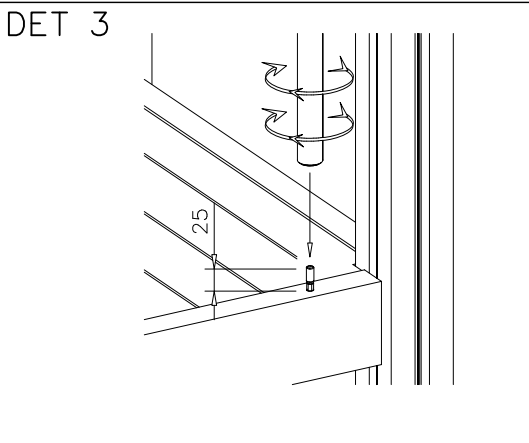
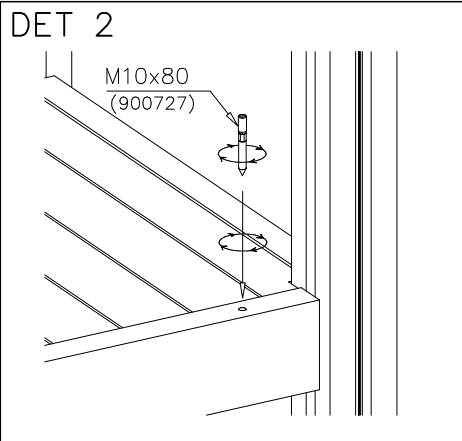
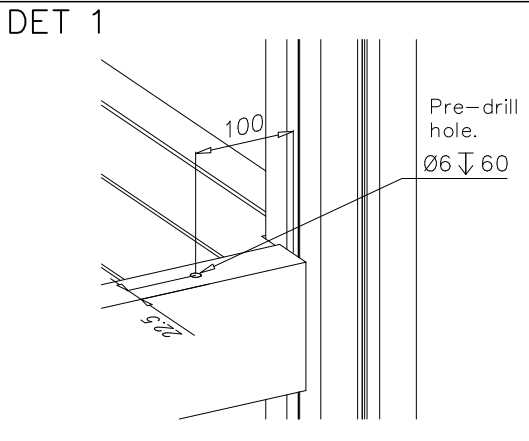


DET 2





① 900240	PCS	② 900727	PCS
	1		1
Ø8x70		M10x80	
	PCS		PCS
③ 907688	PCS	③ 907701	PCS
	1		1
765		545	
	PCS		PCS
	PCS		PCS
	PCS		PCS
	PCS		PCS

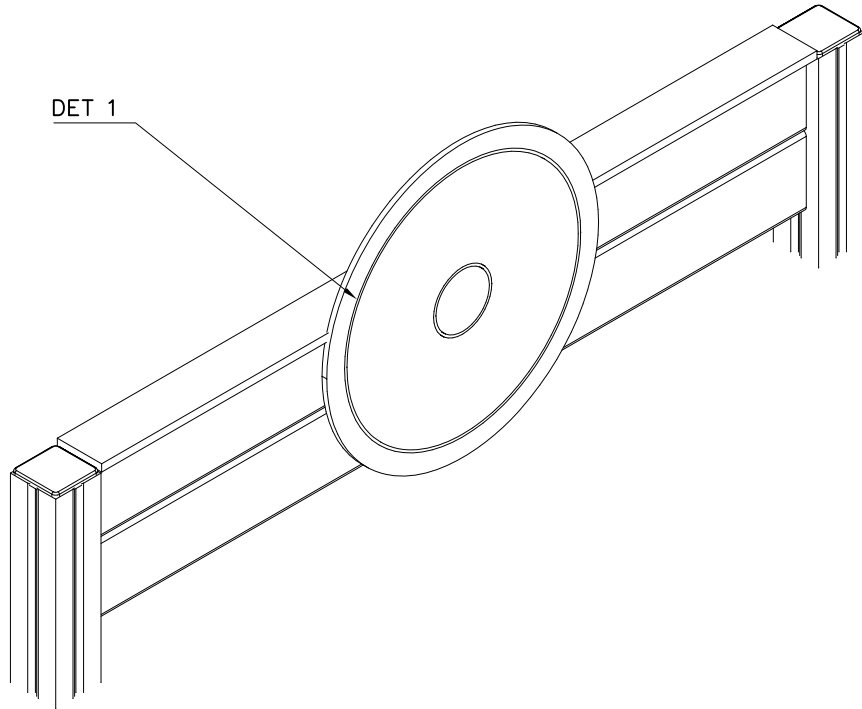


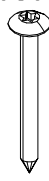
LAPPSET® FASTENER KIT

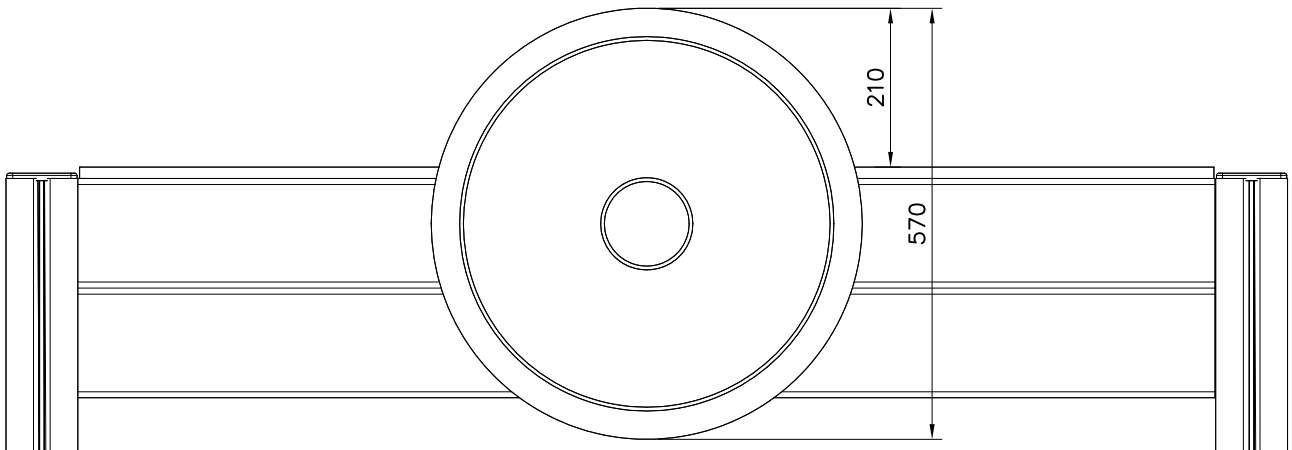
707764

DATE: 15.6.2016

1(1)

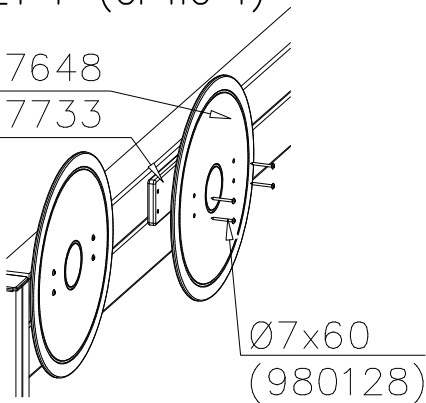


①	980128	PCS
		4
	Ø7x60	

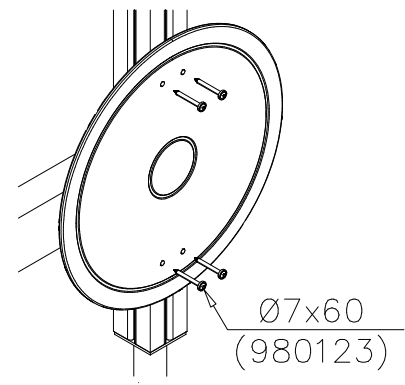
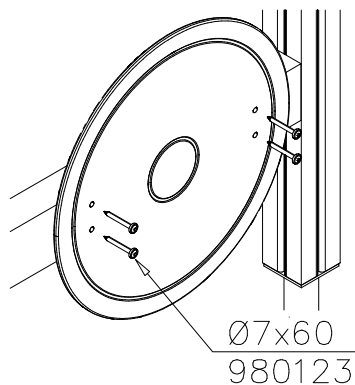


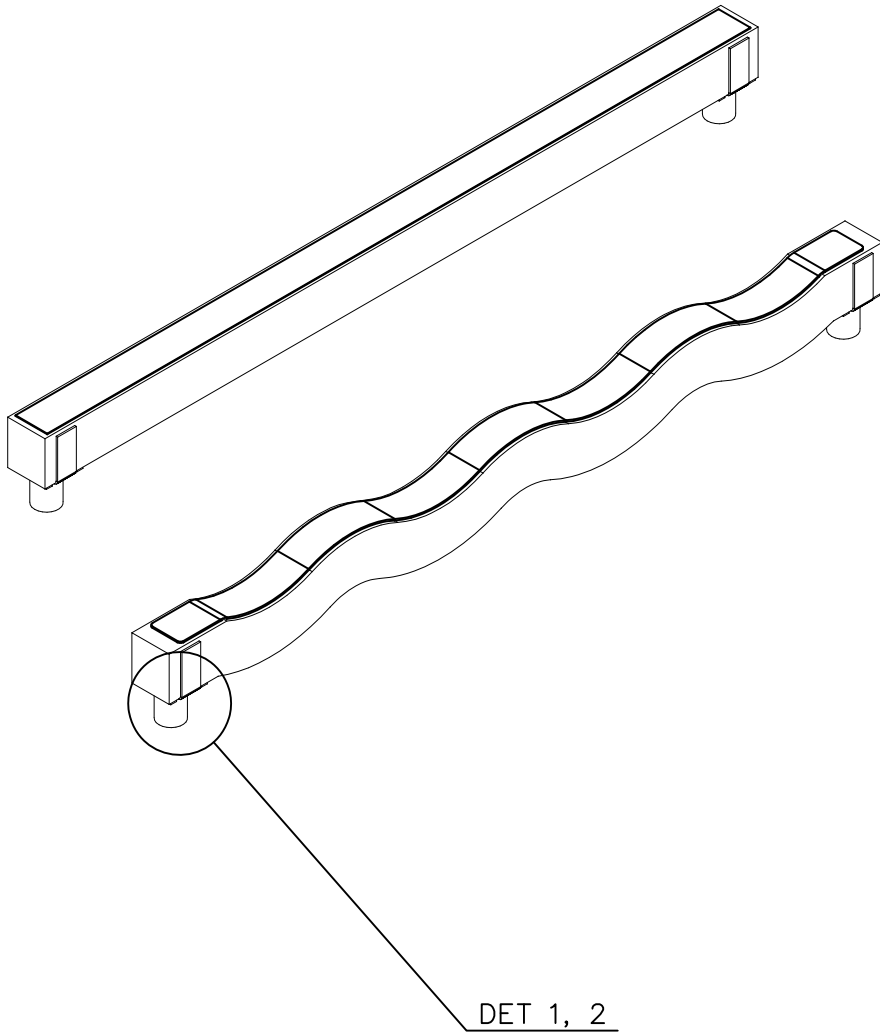
DET 1 (OPTIO 1)

707648
707733



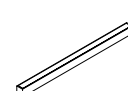
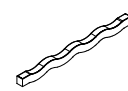
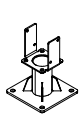



(OPTIO 2) W/O BACK PLATE

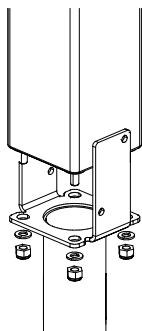




DET 1, 2

① 980123	PCS	② 909256	PCS
	8		8
Ø7x60		Ø16/8.4	
	PCS		PCS
	PCS		PCS
	PCS		PCS
○ 705566	PCS	○ 705590	PCS
			
140x120x2294		120x200x2294	
○ 905780	PCS	○ 905761	PCS
			
SURFACE		DEEP	
	PCS		PCS
	PCS		PCS

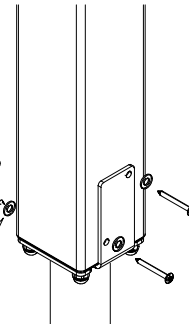
DET 1



DET 2

Ø7x60
(980123)

Ø16/8.4
(909256)



LAPPSET®

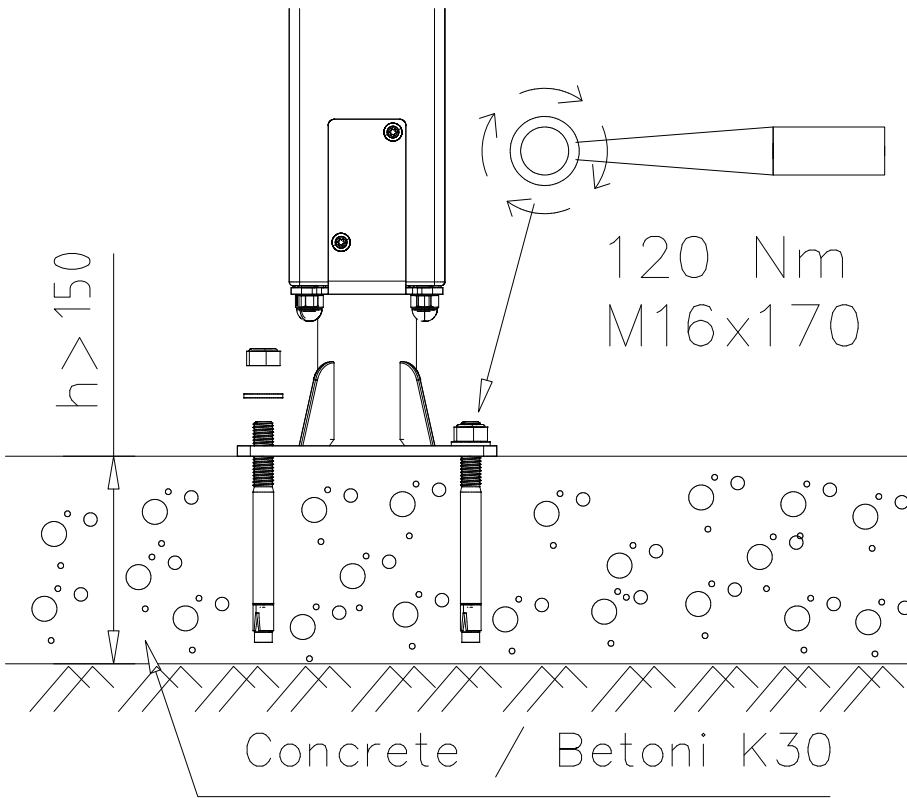
SURF. FOUNDATION



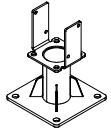
FOOT

120x120 POST AND BEAMS

DATE: 21.4.2016

4A



① 904450	PCS	② 905104	PCS
	4		4
M16x170		M10	
	PCS		PCS
	PCS		PCS
	PCS		PCS
○ 905780	PCS		PCS
			
SURFACE			

Ø16 ↓ > 130

