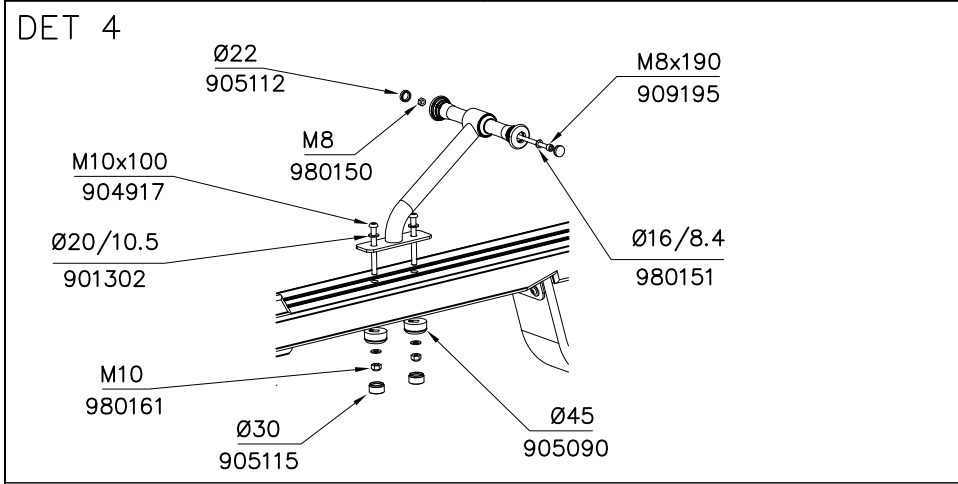
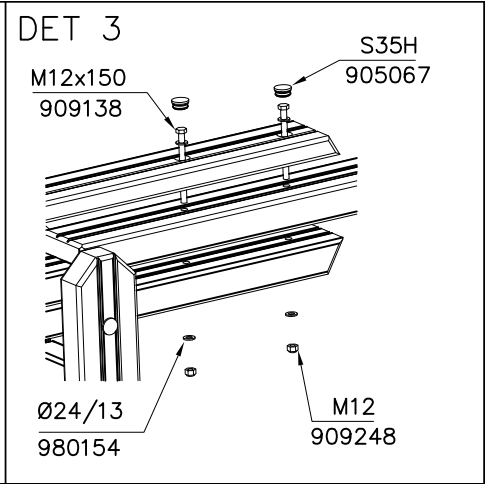
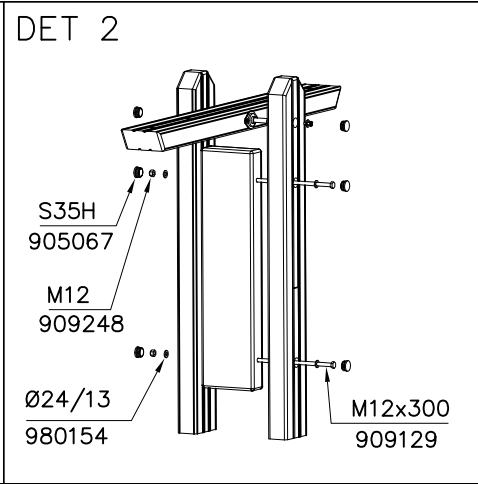
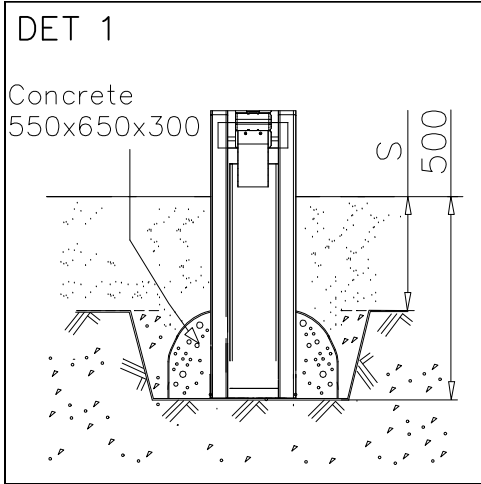


| | | | |
|----------|-----|------------|-----|
| ① 703190 | PCS | ② 703196 | PCS |
| | 1 | | 1 |
| | | 70x195x800 | |
| ③ 703195 | PCS | ④ 703194 | PCS |
| | 2 | | 1 |
| L 1600 | | L 1280 | |
| ⑤ 910364 | PCS | ⑥ 909129 | PCS |
| | 2 | | 2 |
| | | M12x300 | |
| ⑦ 909138 | PCS | ⑧ 904917 | PCS |
| | 4 | | 4 |
| M12x150 | | M10x100 | |
| ⑨ 905090 | PCS | ⑩ 905067 | PCS |
| | 4 | | 10 |
| Ø45 | | S35H | |
| ⑪ 905115 | PCS | ⑫ 980154 | PCS |
| | 4 | | 12 |
| Ø30 | | Ø24/13 | |
| ⑬ 909248 | PCS | ⑭ 980161 | PCS |
| | 6 | | 4 |
| M12 | | M10 | |
| ⑮ 901302 | PCS | ⑯ 905112 | PCS |
| | 8 | | 4 |
| Ø20/10.5 | | Ø22 | |
| ⑰ 905023 | PCS | ⑱ 909195 | PCS |
| | 4 | | 2 |
| Ø50x126 | | M8x190 | |
| ⑲ 980151 | PCS | ⑳ 980150 | PCS |
| | 2 | | 2 |
| Ø16/8.4 | | M8 | |
| ㉑ 702286 | PCS | ㉒ 909506 | PCS |
| | 1 | | 4 |
| 90x50 | | Ø3.5x13 | |
| | | | 22 |

| | | | | | | | | | |
|----------|-----|----------|-----|----------|-----|----------|-----|----------|-----|
| ⑬ 909248 | PCS | ⑭ 980161 | PCS | ⑮ 901302 | PCS | ⑯ 905112 | PCS | ⑰ 905023 | PCS |
| | 6 | | 4 | | 8 | | 4 | | 4 |
| M12 | | M10 | | Ø20/10.5 | | Ø22 | | Ø50x126 | |
| ⑱ 909195 | PCS | ⑲ 980151 | PCS | ⑳ 980150 | PCS | ㉑ 702286 | PCS | ㉒ 909506 | PCS |
| | 2 | | 2 | | 2 | | 1 | | 4 |
| M8x190 | | Ø16/8.4 | | M8 | | 90x50 | | Ø3.5x13 | |





—— EN Impact Area 11 m2
 - - - - Falling Space 11 m2
 Max Falling Height 1200 mm

