

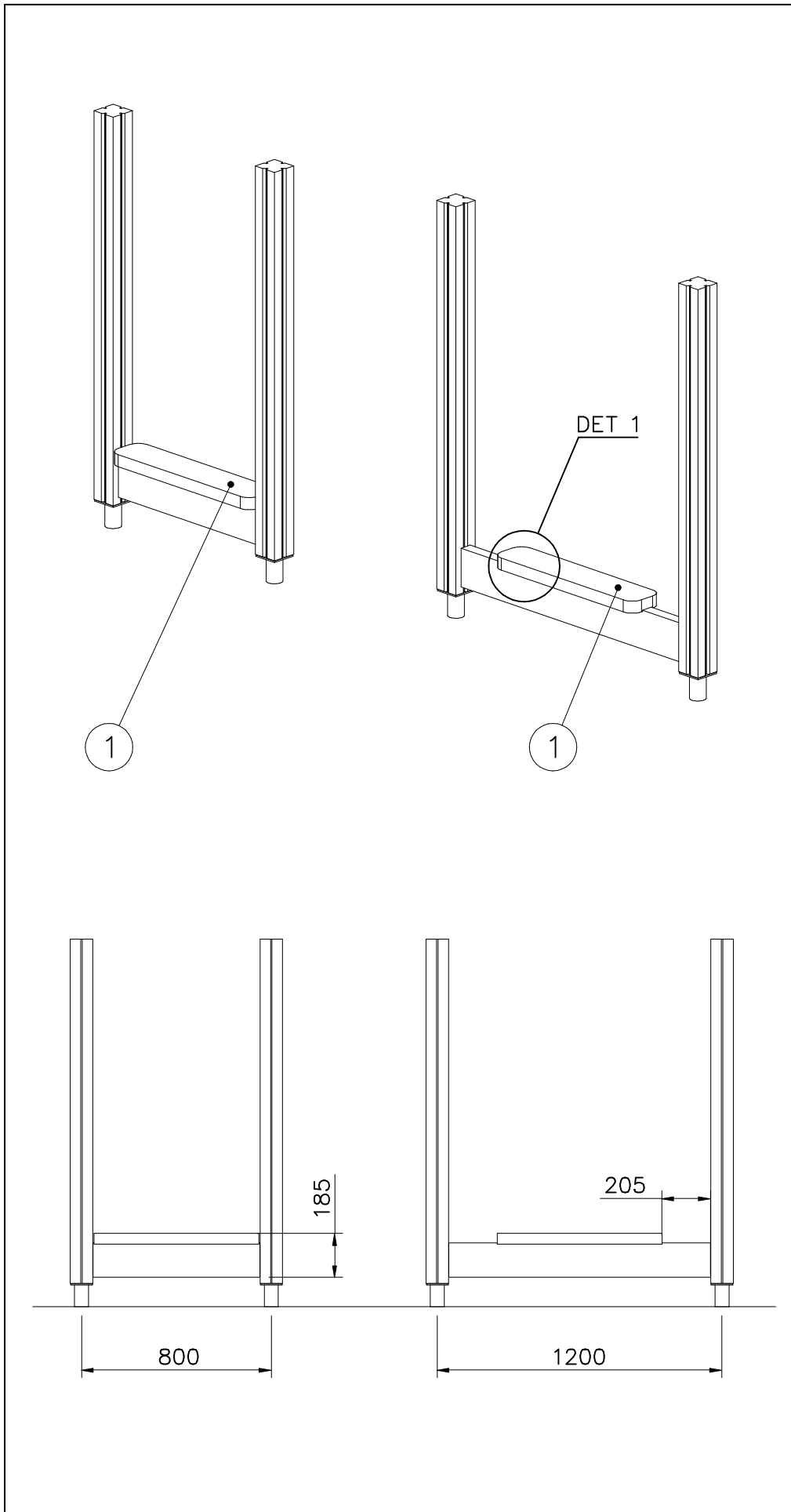
LAPPSET®

FAN, FIN, FOR

007333

DATE: 2.12.2003

1(2)



① 007323	PCS	② 980151	PCS
	1		2
		Ø16/8.4	
③ 909234	PCS	④ 905066	PCS
	2		2
8x80		S30H	
	PCS		PCS
	PCS		PCS
	PCS		PCS

