

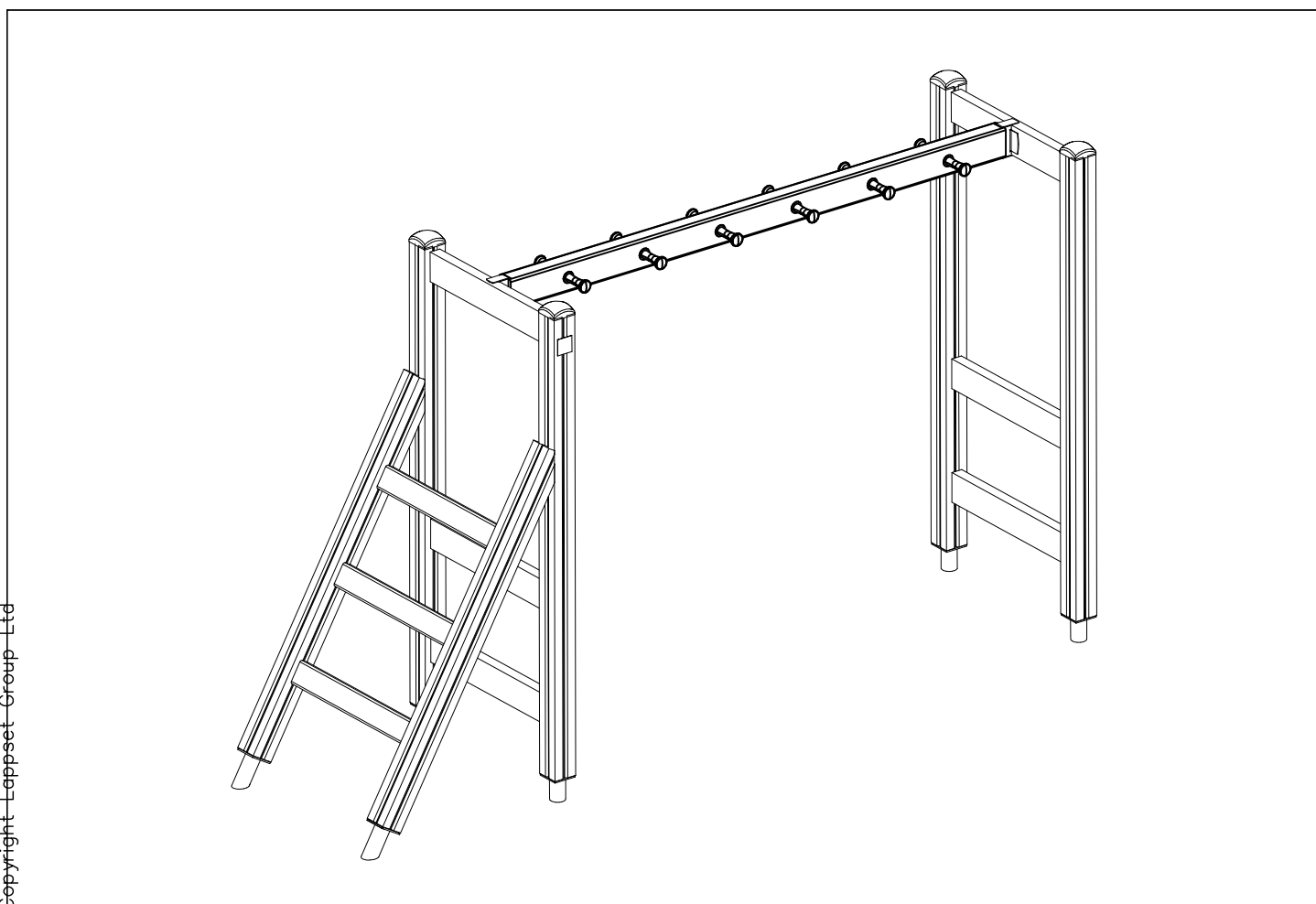
LAPPSET®

CLOVER


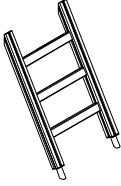
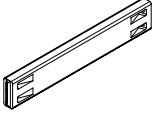

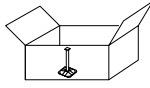
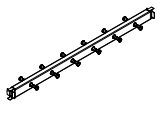

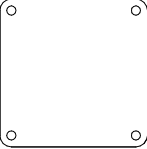
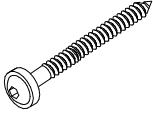

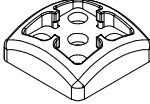
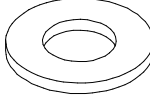
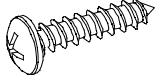

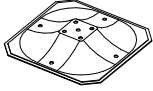

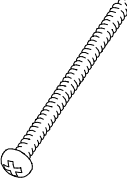
ASENNUSOHJE
MONTERINGSANSVISNING
INSTALLATION INSTRUCTION
AUFBAUANLEITUNG
NOTICE D'INSTALLATION

DATE: 24.11.2015

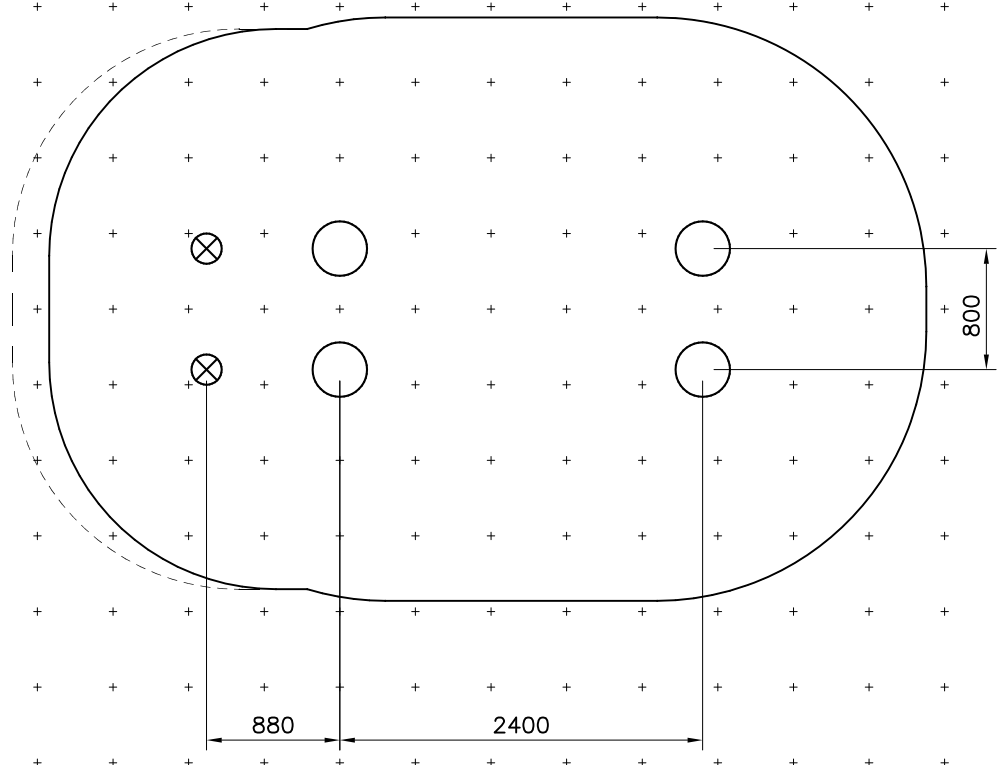
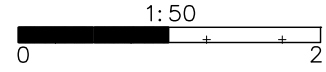
175003



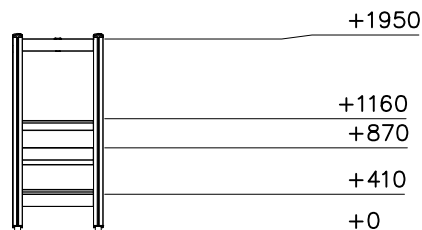
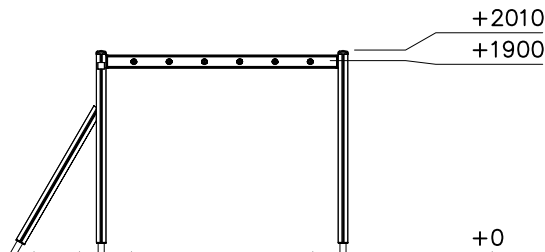
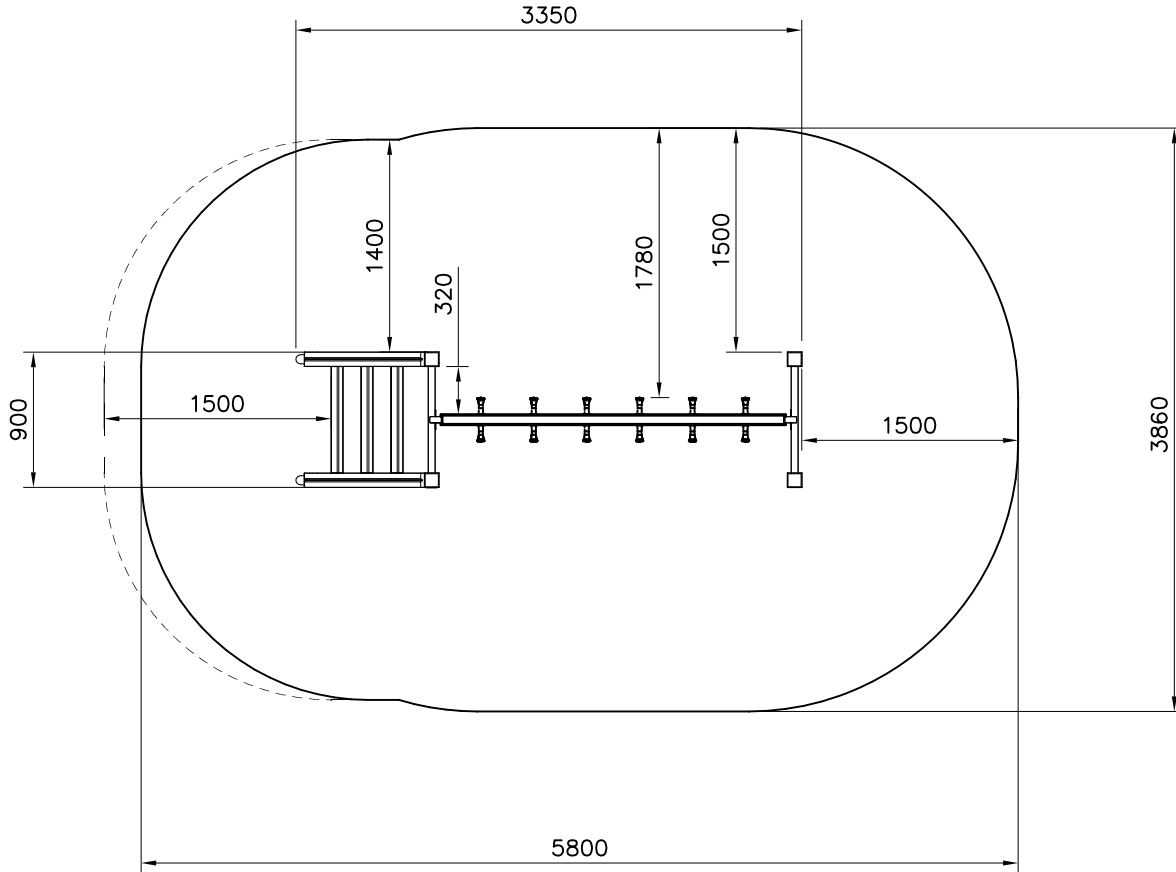
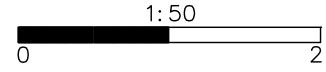
DATE: 24.11.2015

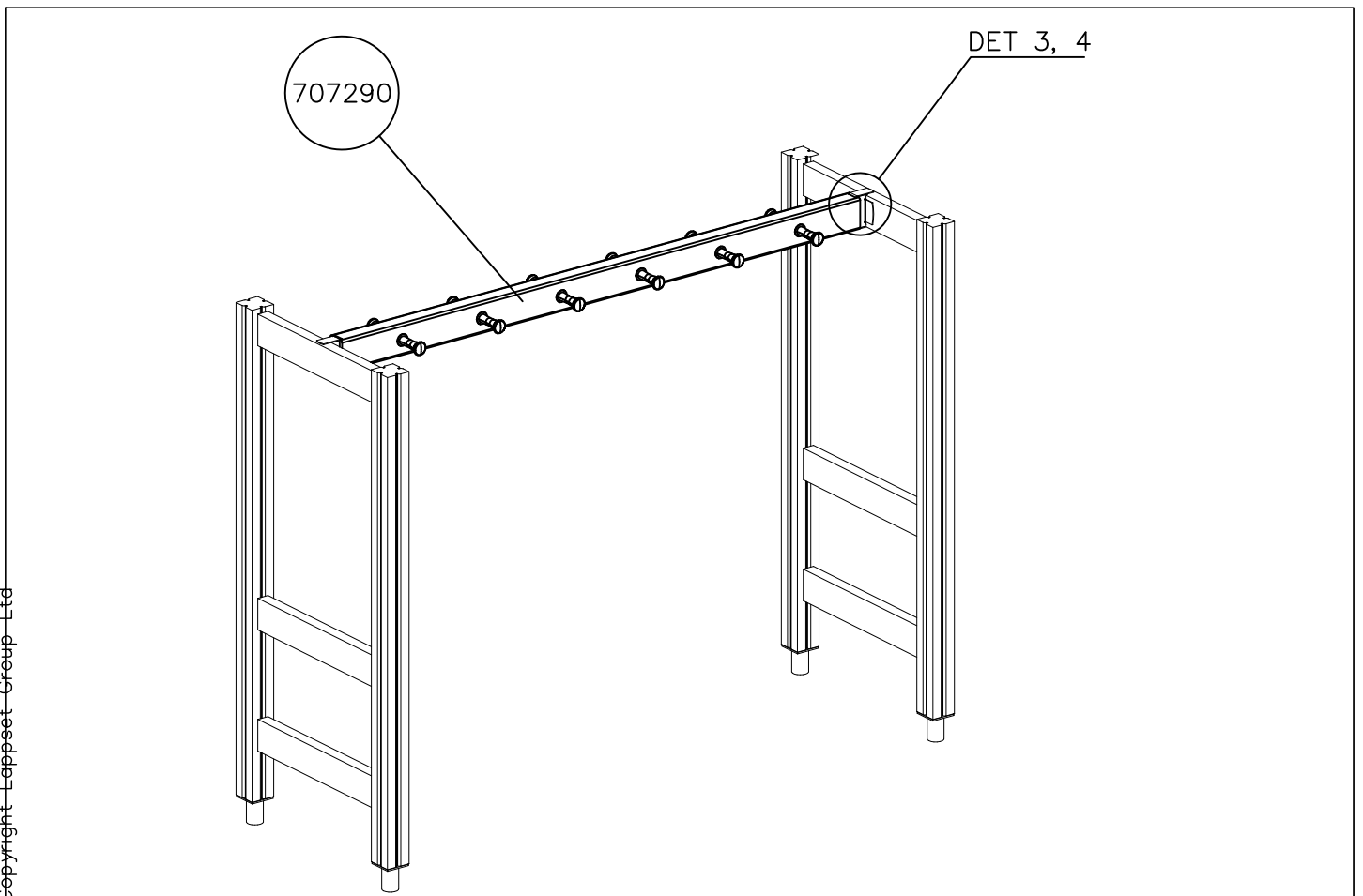
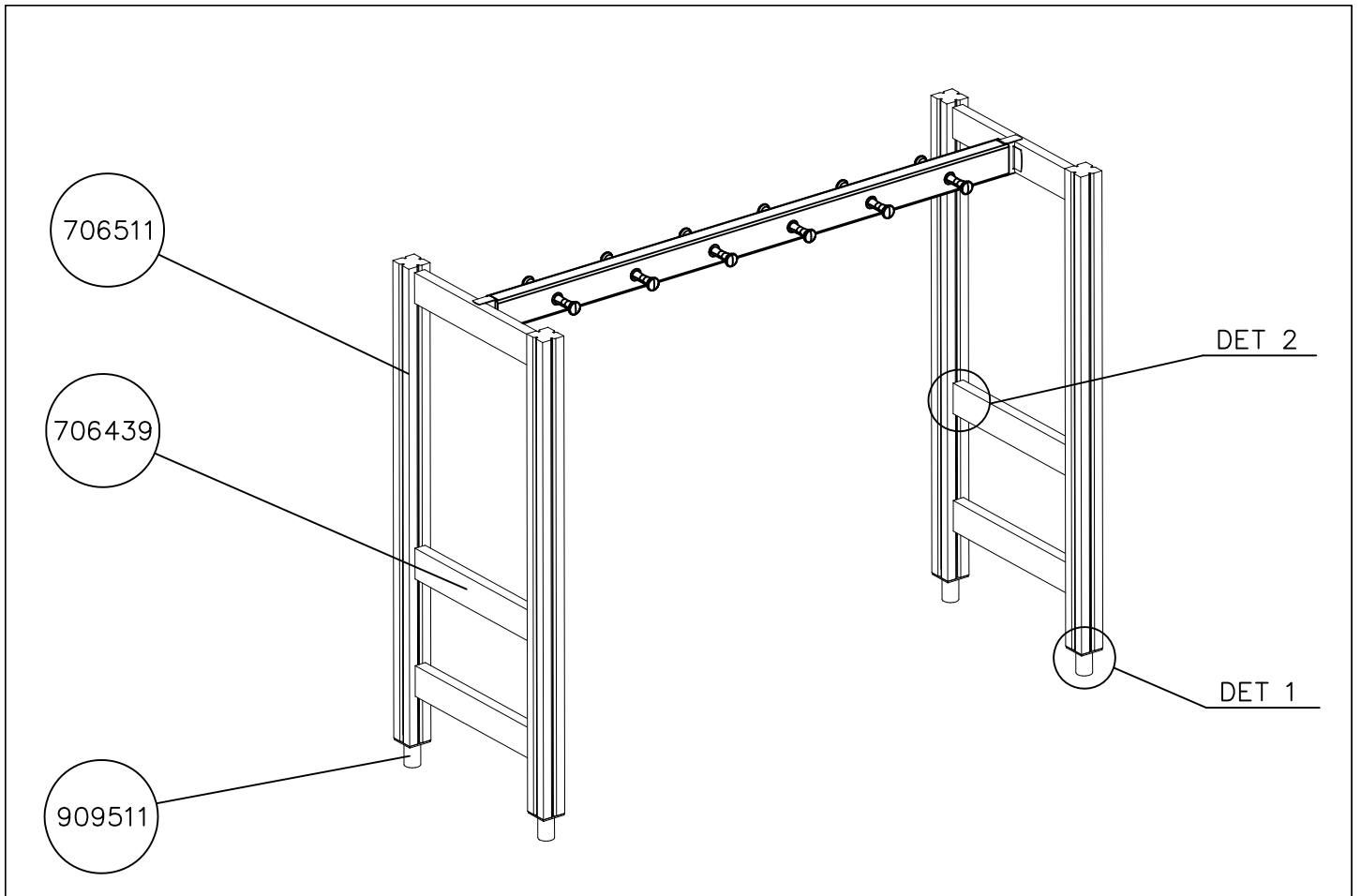
702286	PCS 1	703130	PCS 1	706439	PCS 6	706511	PCS 4	706531	PCS 4	707290	PCS 1
											
90x50				L 704		93x93x1870				127x300x2355	
902487	PCS 1	903093	PCS 24	905138	PCS 4	905196	PCS 4	909256	PCS 12	909506	PCS 4
											
65x65		Ø8x90		GRAY		GRAY		Ø16/8.4		Ø3.5x13	
909511	PCS 4	909519	PCS 4	980128	PCS 12	980131	PCS 16				
											
90x90x650		50x380x380		Ø7x40		Ø6x60					
	PCS		PCS		PCS		PCS		PCS		PCS
	PCS		PCS		PCS		PCS		PCS		PCS
	PCS		PCS		PCS		PCS		PCS		PCS
	PCS		PCS		PCS		PCS		PCS		PCS

— EN/AS Impact Area 19.8 m²
+ Grid size = 500 mm
- - - Falling Space 20.7 m²

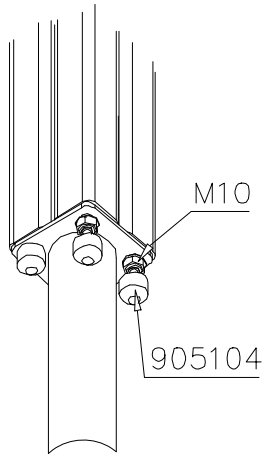


— EN/AS Impact Area 19.8 m²
 Max Falling Height 1160 mm
 - - - Falling Space 20.7 m²

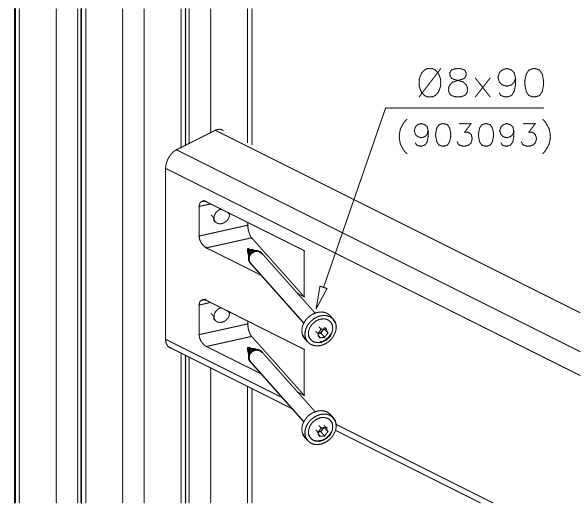




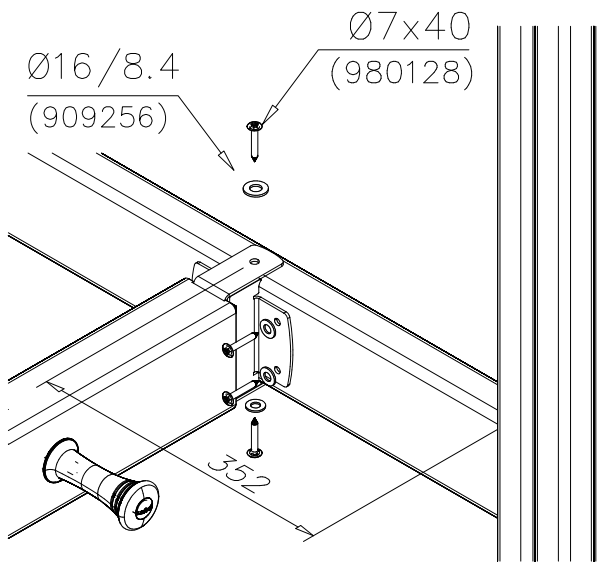
DET 1



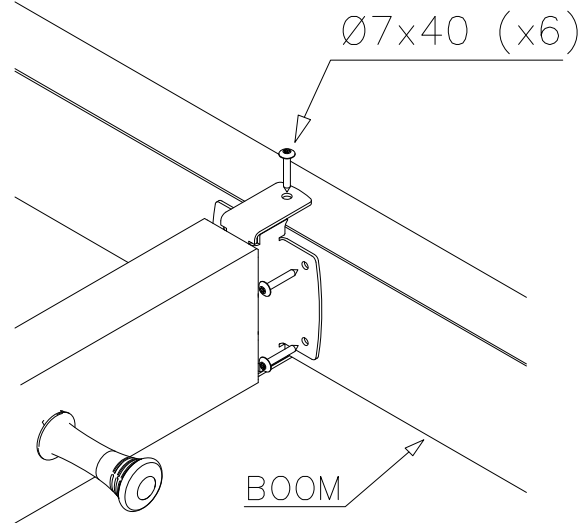
DET 2



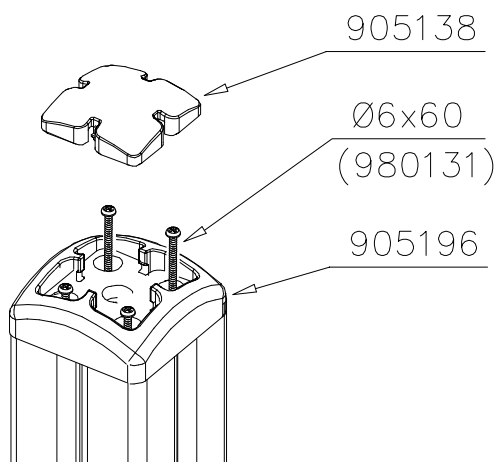
DET 3



DET 4



DET 5



DET 6

