

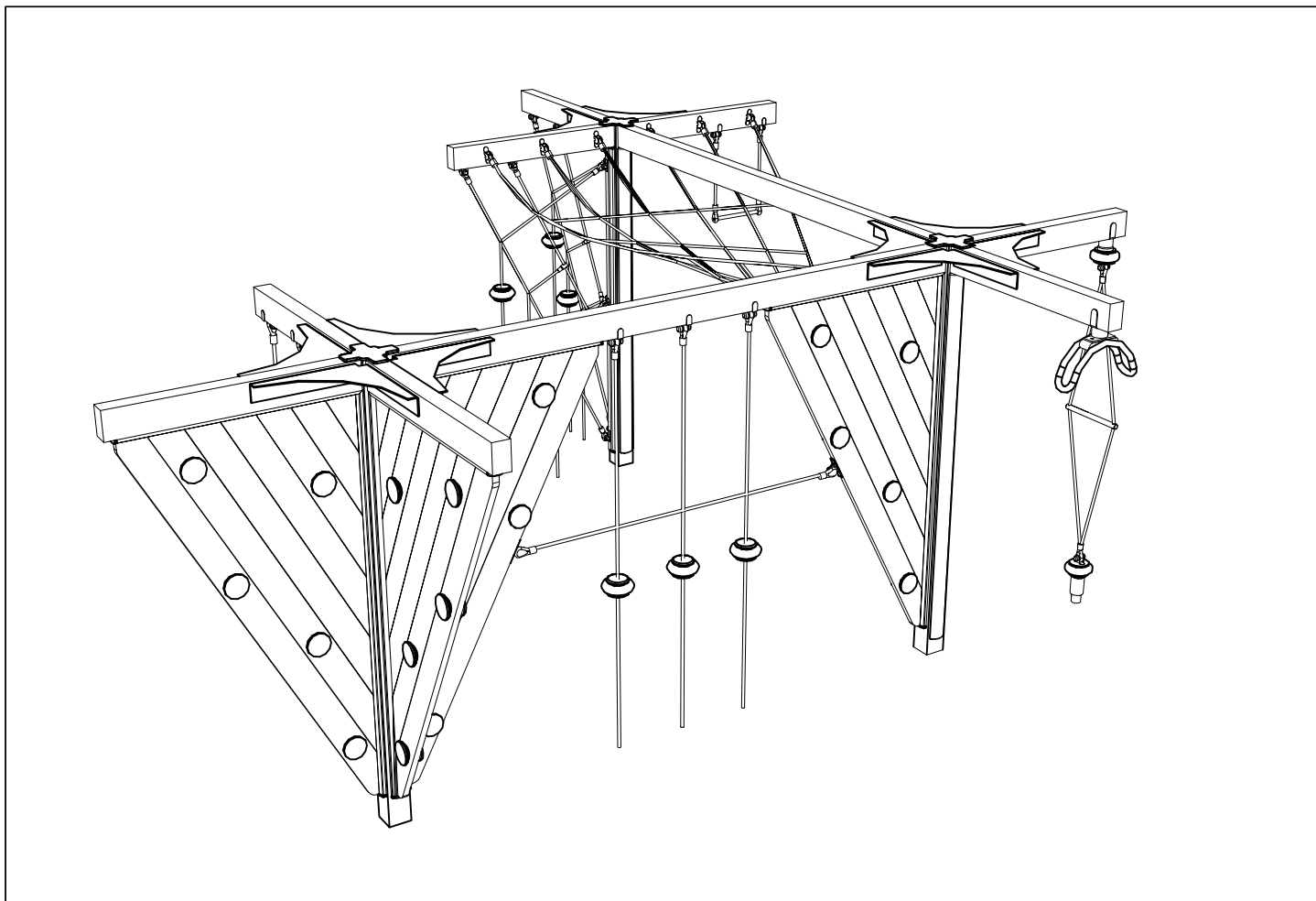
LAPPSET®

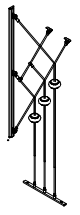

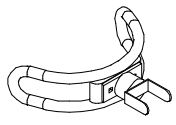
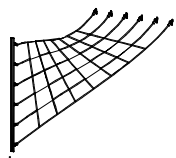
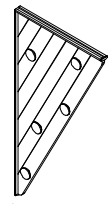

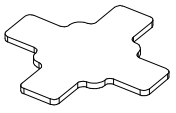

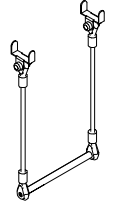
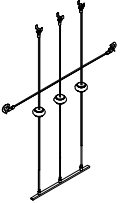
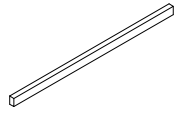
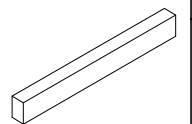
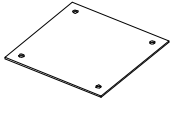
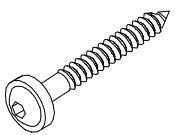

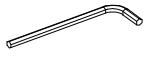
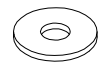
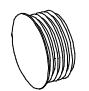
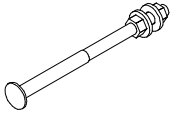
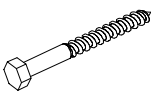
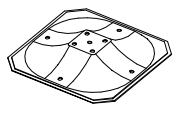
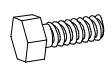
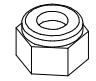

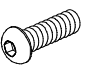
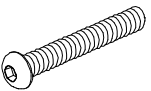
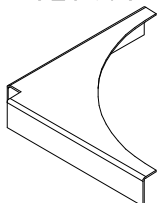

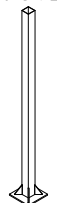
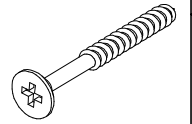
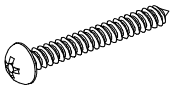
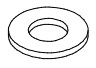
CLUB

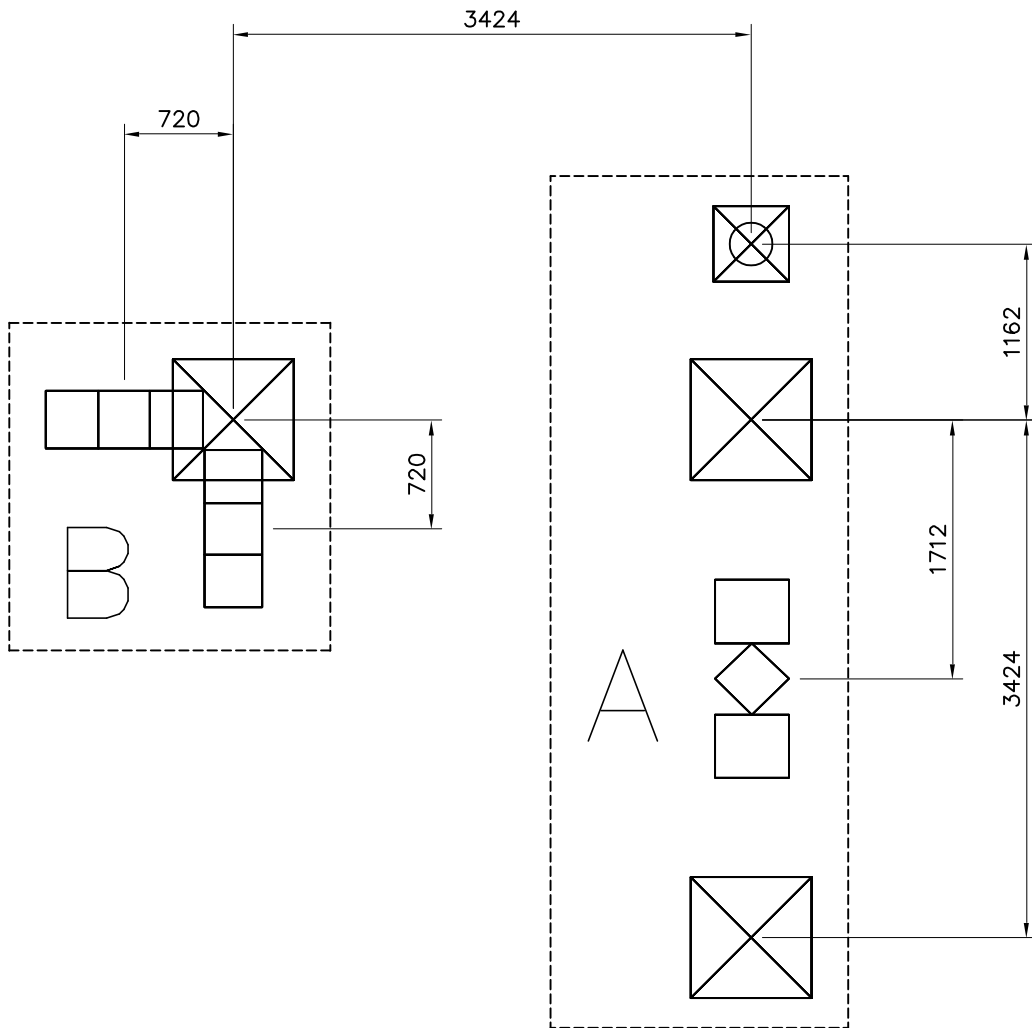
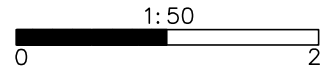
ASENNUSOHJE
MONTERINGSANSVISNING
INSTALLATION INSTRUCTION
AUFBAUANLEITUNG
NOTICE D'INSTALLATION

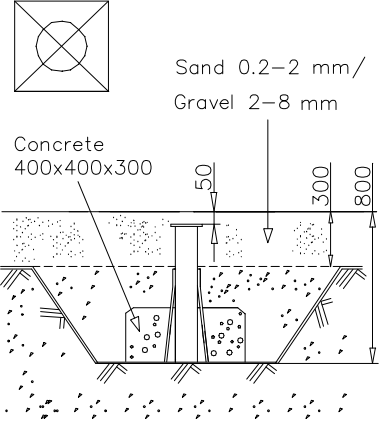
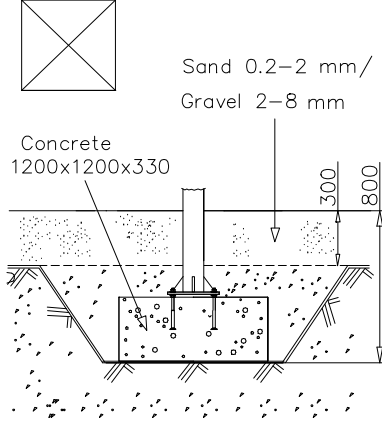
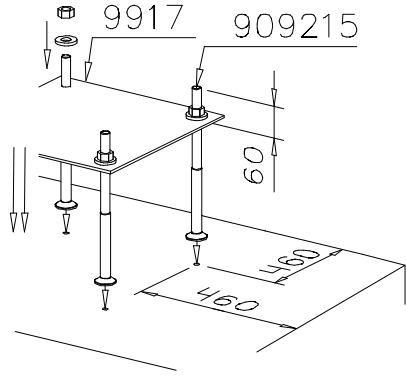
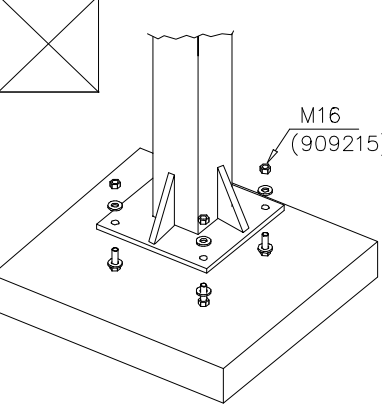
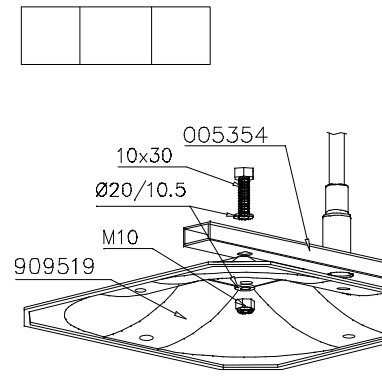
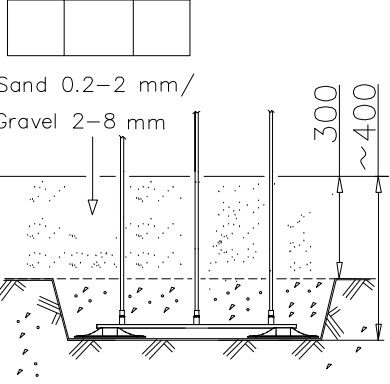
REF: 150300
DATE: 21.2.2005

150300

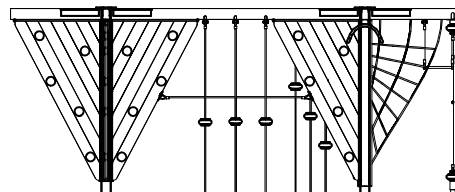
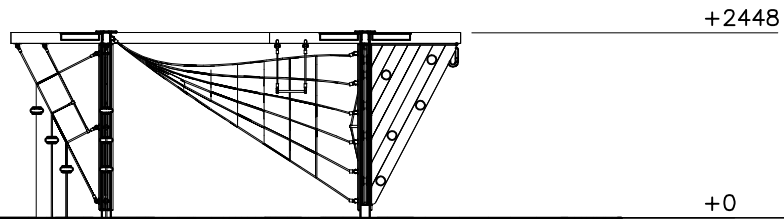
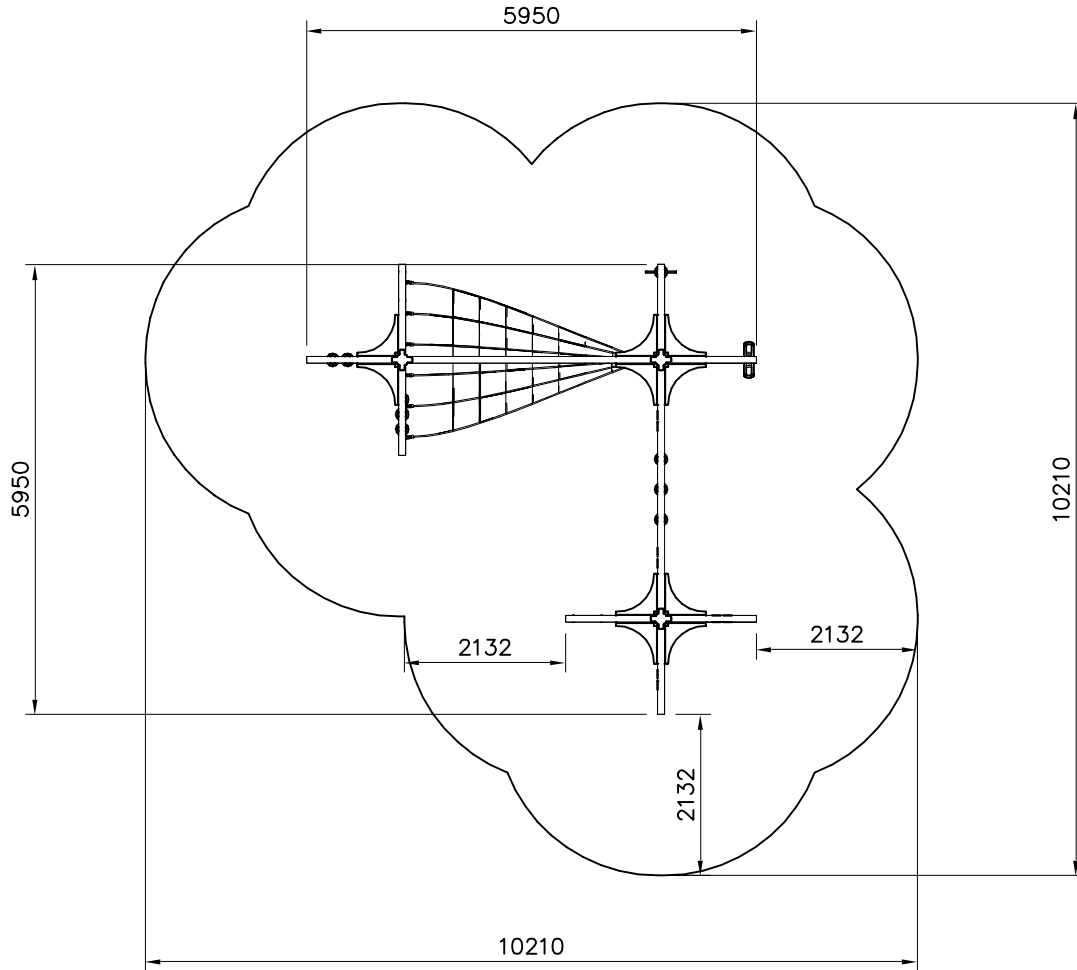
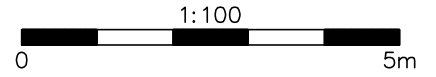


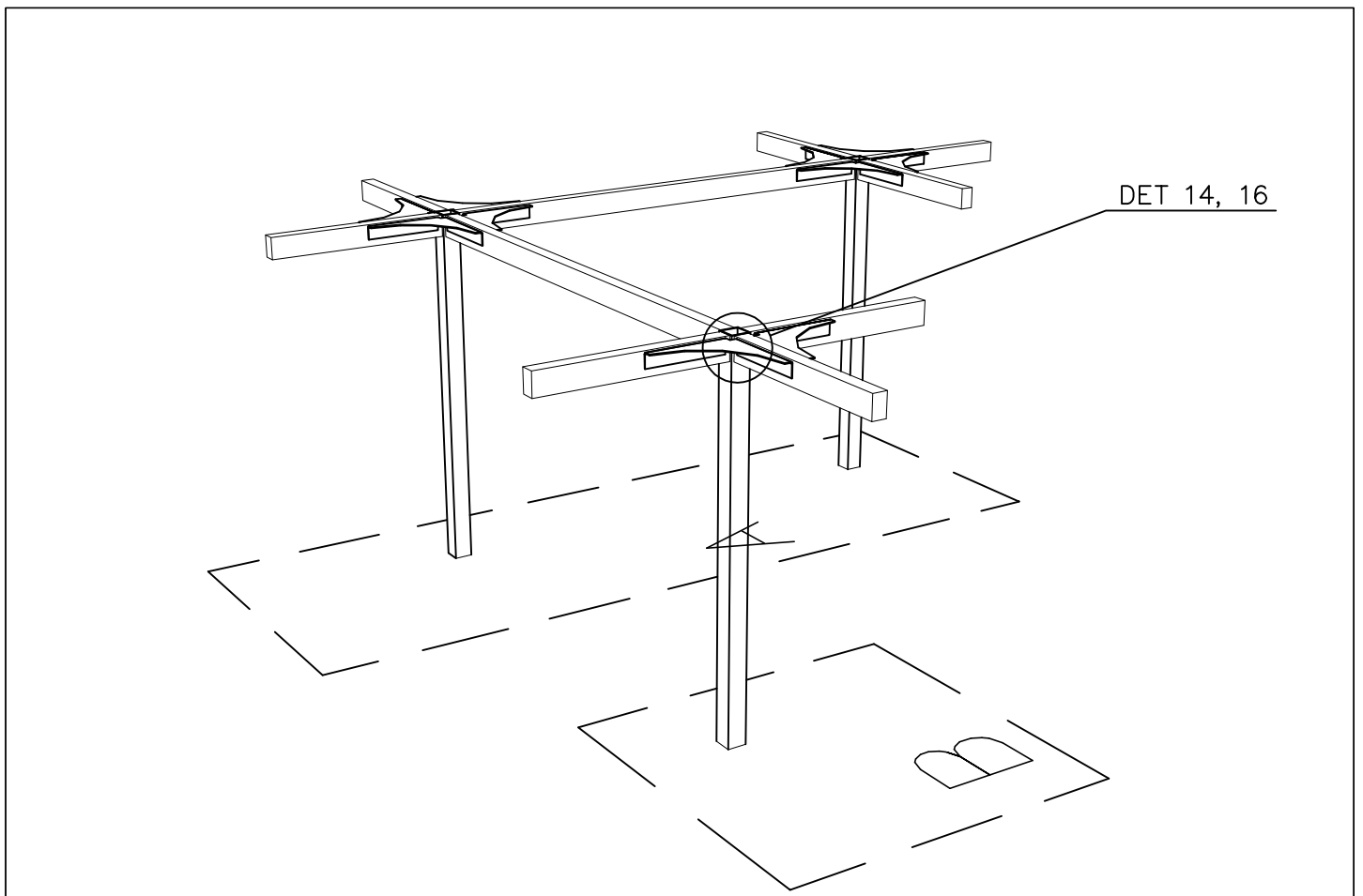
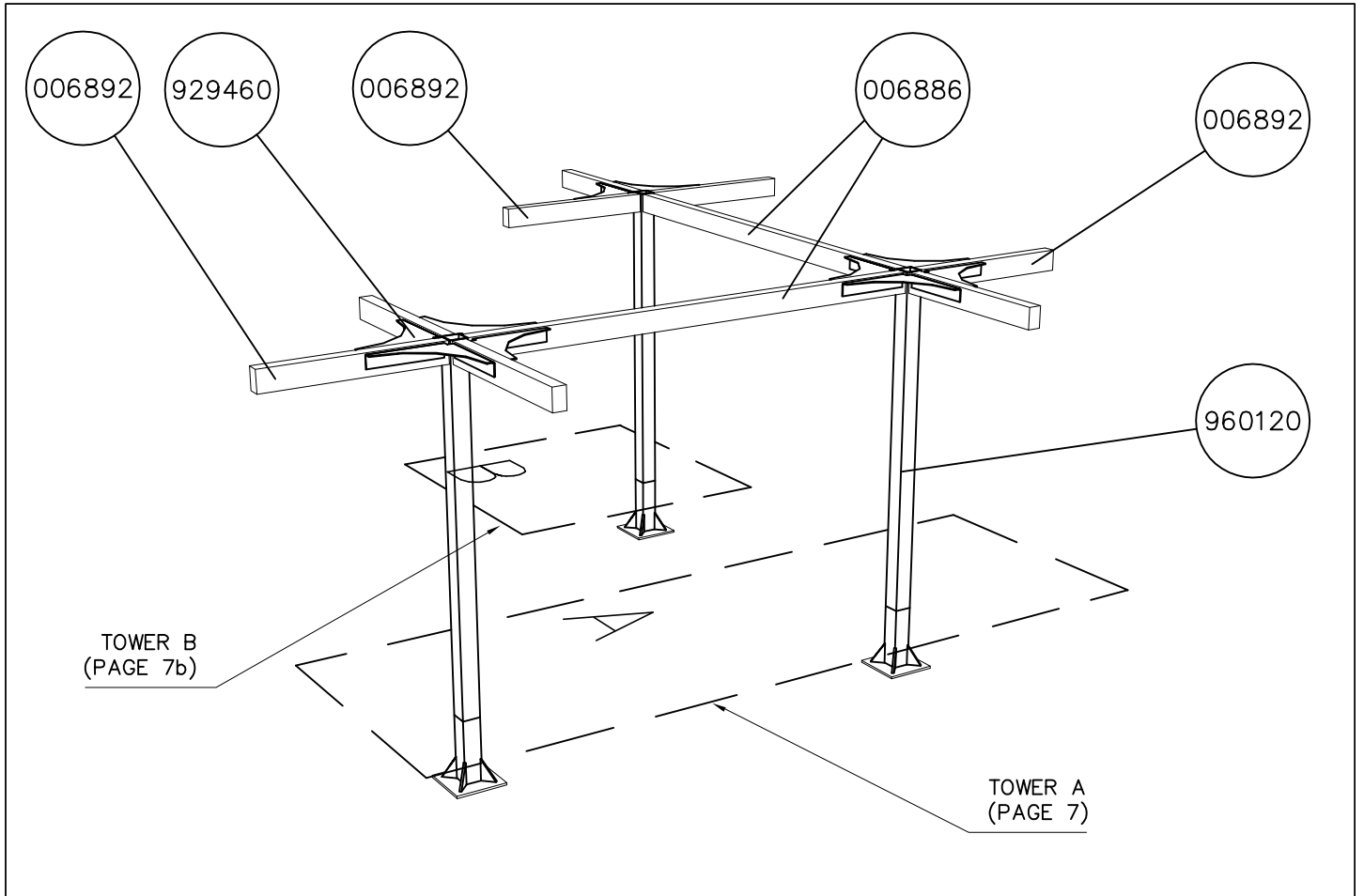
005354 	PCS 2	005355 	PCS 1	005358 	PCS 1	005360 	PCS 1	005361  L 2135	PCS 4	005363 	PCS 1
005365 	PCS 3	006860  L 2200	PCS 5	006870 	PCS 2	006872 	PCS 1	006886  L 3300	PCS 2	006892  L 1200	PCS 8
009917  350x350	PCS 3	900240  8x70	PCS 166	903112  L 750	PCS 1	905013  5mm	PCS 1	905051  Ø24/8.5	PCS 20	905103  PT-28/32-H	PCS 20
909215  HPM 16x280	PCS 12	909243  6x60	PCS 24	909519 	PCS 7	909629  10x30	PCS 16	909637  M10	PCS 16	909638  Ø20/10.5	PCS 32
909850  M8x25 RST	PCS 84	909851  8x55 RST	PCS 20	929460 	PCS 10	960100  Ø20	PCS 108	960120  L 2900	PCS 3	980107  6x60	PCS 12
980122  5x30	PCS 18	980151  Ø16/8.4	PCS 24		PCS		PCS		PCS		PCS
	PCS		PCS		PCS		PCS		PCS		PCS



 <p>Sand 0.2–2 mm/ Gravel 2–8 mm</p> <p>Concrete 400x400x300</p>	 <p>Sand 0.2–2 mm/ Gravel 2–8 mm</p> <p>Concrete 1200x1200x330</p>	 <p>9917 909215</p> <p>460 60 300</p>
 <p>M16 (909215)</p>	 <p>10x30 005354 Ø20/10.5 M10 909519</p>	 <p>Sand 0.2–2 mm/ Gravel 2–8 mm</p> <p>300 ~400</p>

EN Impact Area 74.2 m²





<p>DET 1</p>	<p>DET 2</p>	<p>DET 3</p> <p>ROPE TIGHTENING</p>	<p>DET 4</p>
<p>DET 5</p> <p>Ø16/8.4</p>	<p>DET 6</p>	<p>DET 7</p> <p>MARK NET FASTENING</p>	<p>DET 8</p>
<p>DET 9</p>	<p>DET 10</p> <p>8x70</p>	<p>DET 11</p>	<p>DET 12</p>
<p>DET 13</p>	<p>DET 14</p>	<p>DET 15</p>	<p>DET 16</p>

