

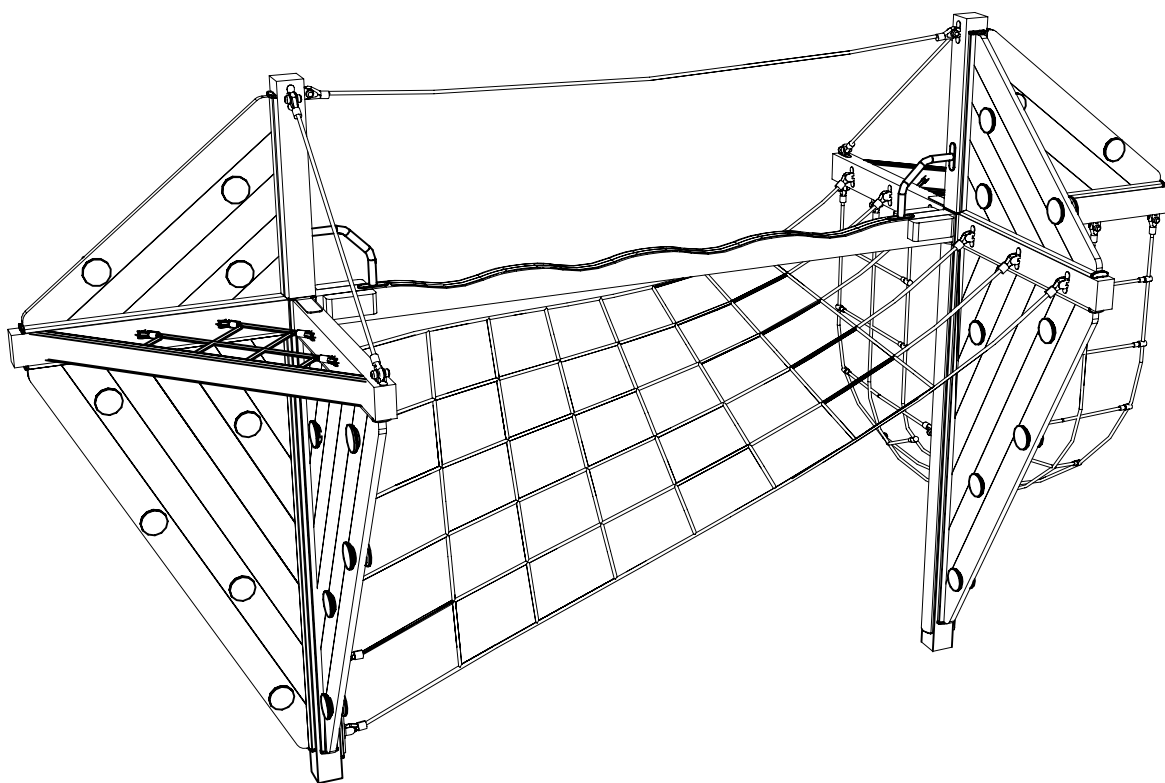
LAPPSET®

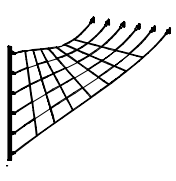
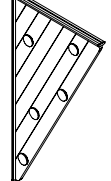
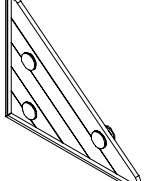
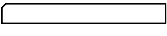



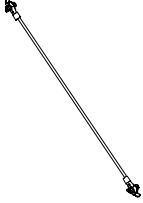
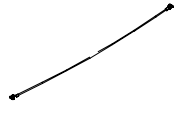
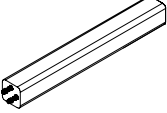
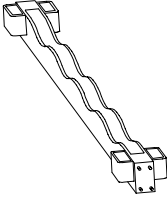
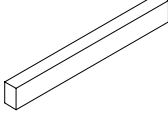
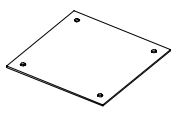
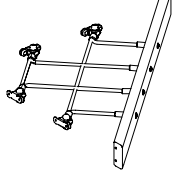
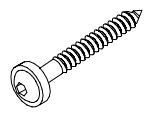


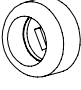
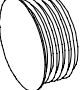

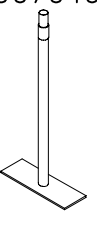
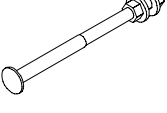
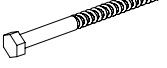
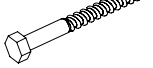
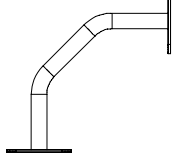
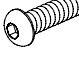
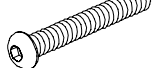

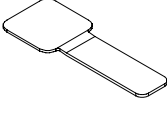
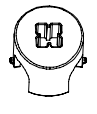

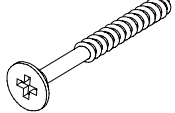
CLUB

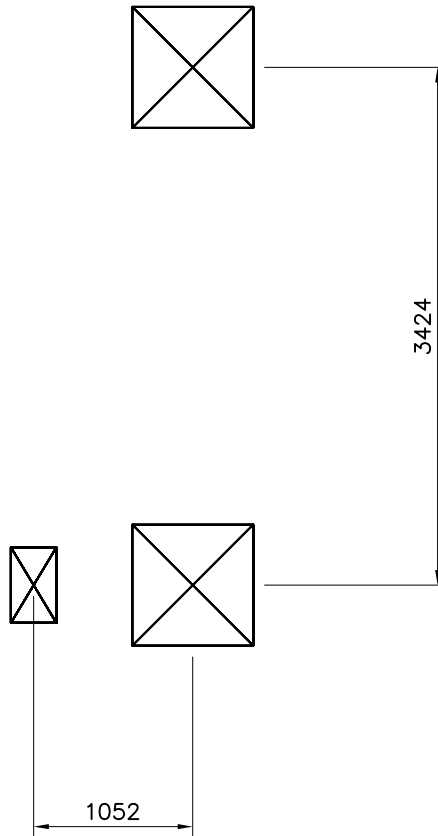
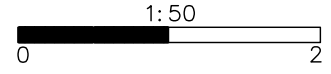
ASENNUSOHJE
MONTERINGSANSVISNING
INSTALLATION INSTRUCTION
AUFBAUANLEITUNG
NOTICE D'INSTALLATION

REF: 150210
DATE: 19.12.2006

150210

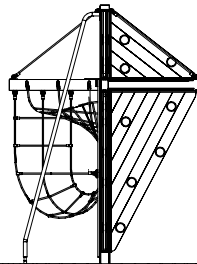
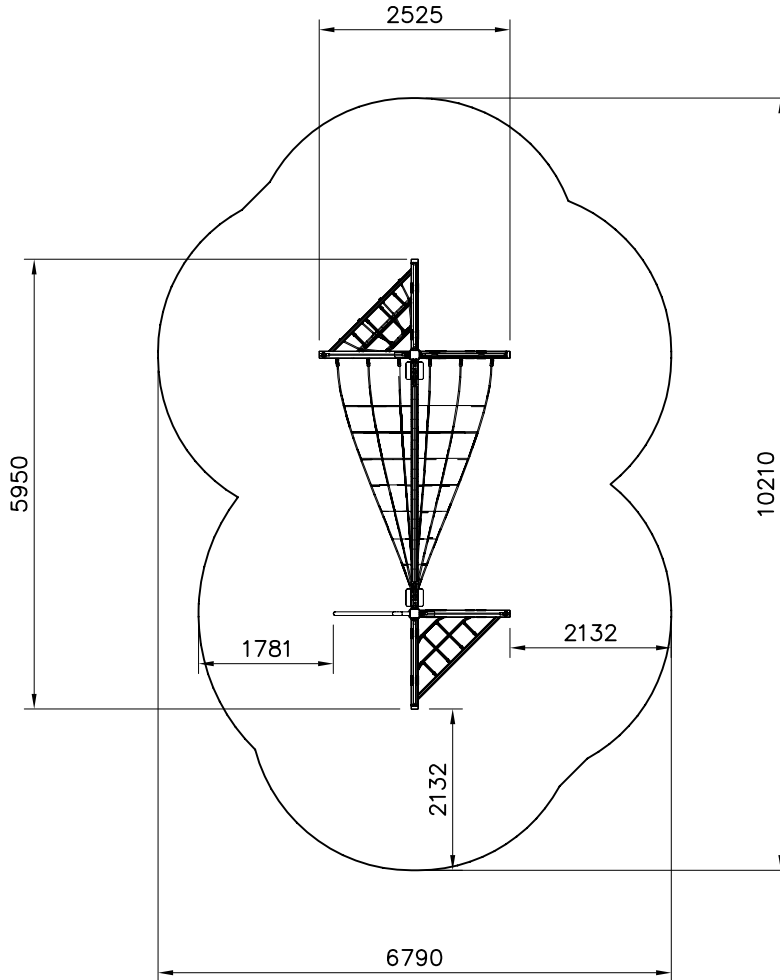
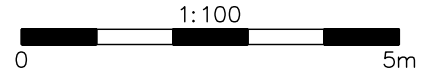


005360 	PCS 1	005361  L 2135	PCS 3	005362  L 916	PCS 3	005363 	PCS 1	006860  L 2200	PCS 1	006861  L 2350	PCS 1
006869 	PCS 1	006877  L 1420	PCS 2	006879  L 3340	PCS 1	006884  L 975	PCS 2	006889  L 3300	PCS 1	006892  L 1200	PCS 5
009917  350x350	PCS 2	700219  L 1670	PCS 2	900240  8x70	PCS 64	980151  Ø16/8.4	PCS 62	905051  Ø24/8.5	PCS 16	905083  Ø32	PCS 8
905103  PT-28/32-H	PCS 16	905112  Ø22	PCS 8	907040 	PCS 1	909215  HPM 16x280	PCS 8	909233  8x100	PCS 8	909243  6x60	PCS 54
901798 	PCS 2	909850  M8x25 RST	PCS 48	909851  8x55 RST	PCS 16	929331  L 3210	PCS 1	929341 	PCS 2	960100  Ø20	PCS 102
960120  L 2900	PCS 2	980107  6x60	PCS 8		PCS		PCS		PCS		PCS
	PCS		PCS		PCS		PCS		PCS		PCS



<p>Sand 0.2-2 mm/ Gravel 2-8 mm</p> <p>907040</p> <p>300 600</p>	<p>Sand 0.2-2 mm/ Gravel 2-8 mm</p> <p>Concrete 1200x1200x330</p> <p>300 800</p>	<p>9917 909215</p> <p>60</p> <p>460 460</p>
<p>M16 (909215)</p>		

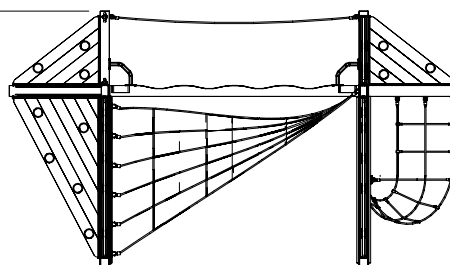
EN Impact Area 52.6 m²

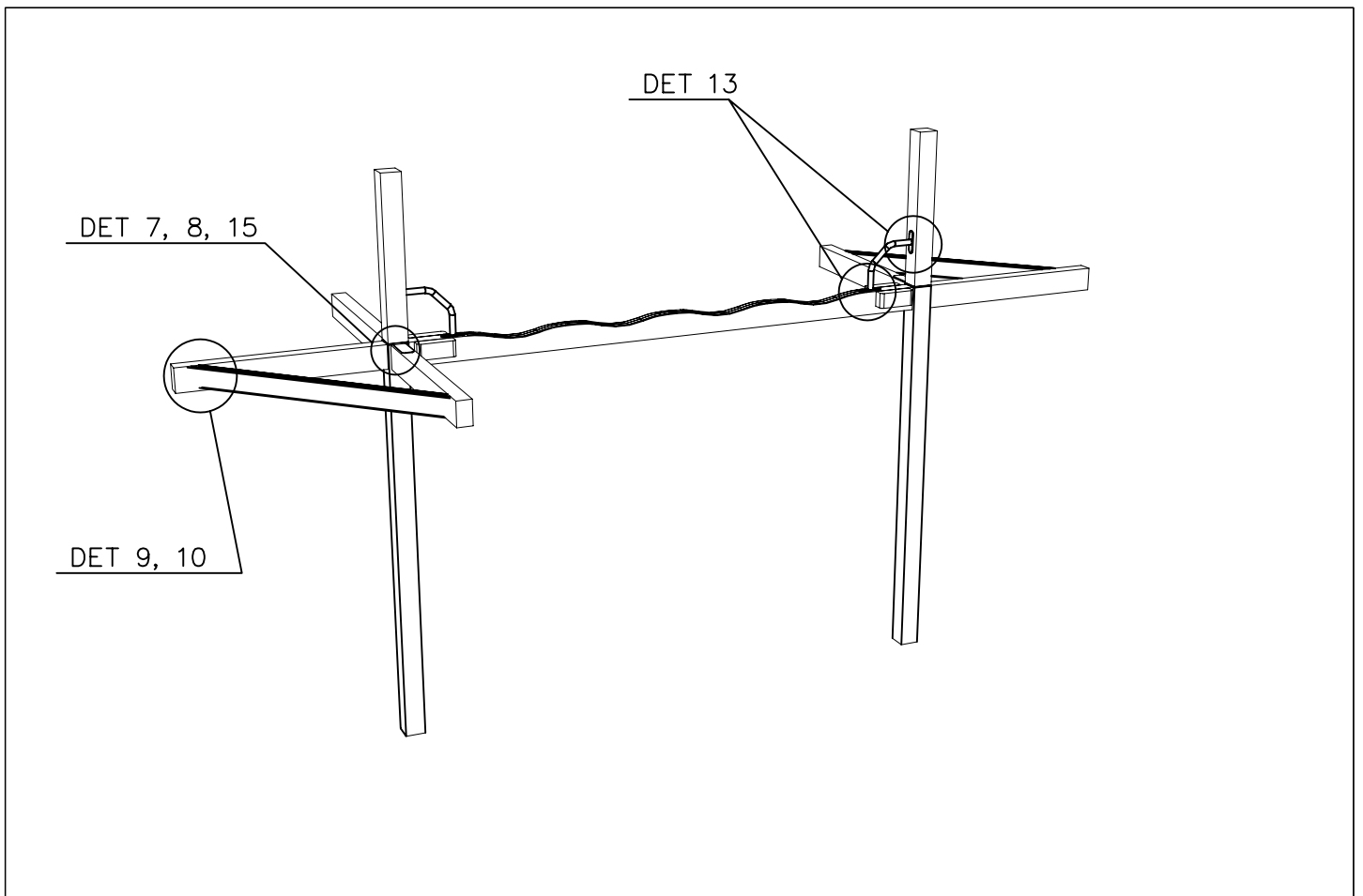
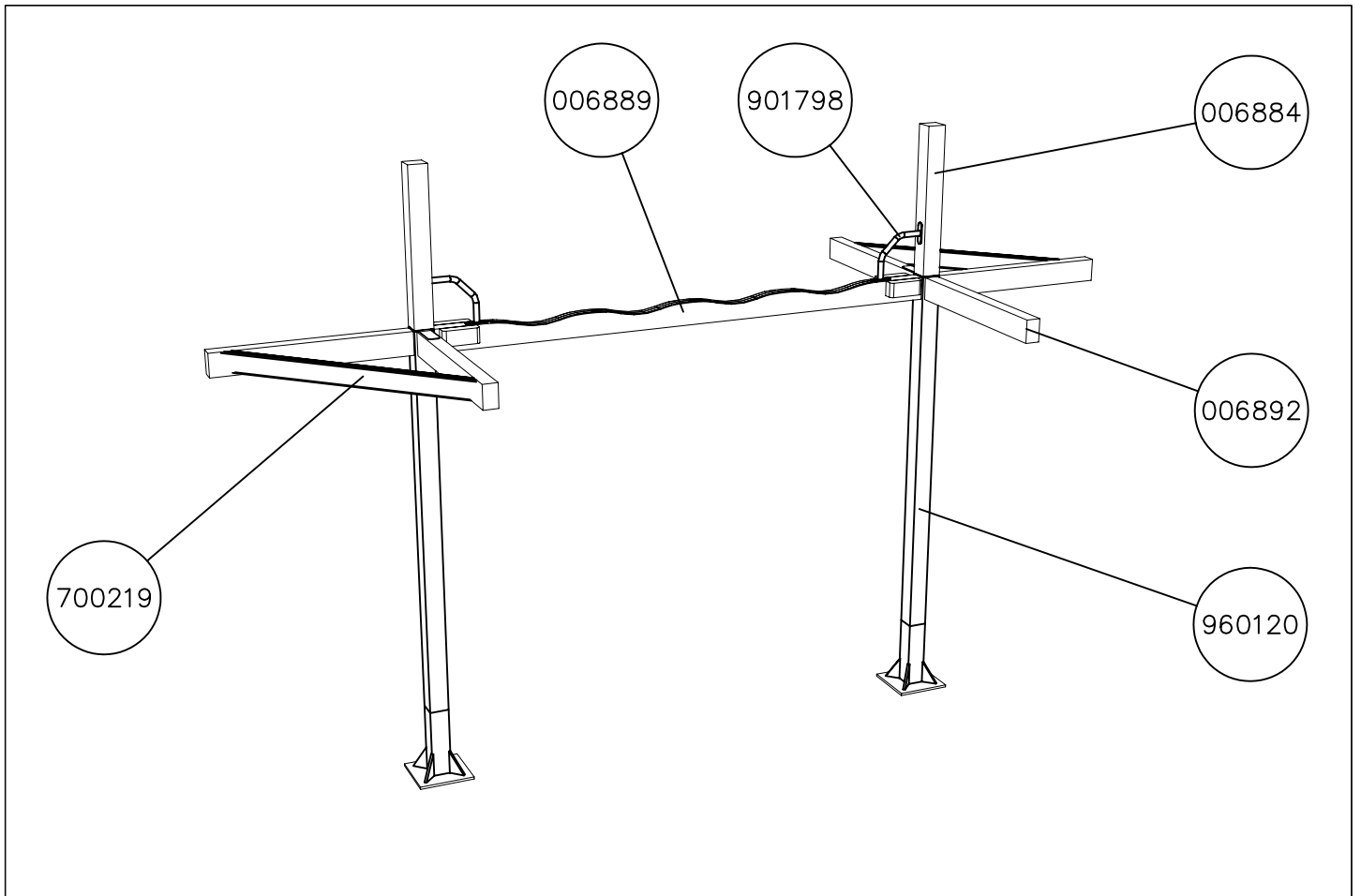


+3432

+2448

+0





<p>DET 1</p> <p>Ø16/8.4 6x60 960100</p>	<p>DET 2</p> <p>M8x25 960100</p>	<p>DET 3</p> <p>MARK NET FASTENING ATT I 005363 PEN PATTERN</p>	<p>DET 4</p> <p>905103 M8x55 Ø24/8.4</p>
<p>DET 5</p> <p>370 370 70 006869</p>	<p>DET 6</p> <p>70</p>	<p>DET 7</p> <p>006884 M10</p>	<p>DET 8</p>
<p>DET 9</p> <p>905083 Ø16/8.4 8x100 905112</p>	<p>DET 10</p> <p>Ø8230mm</p>	<p>DET 11</p> <p>929331 907040</p>	<p>DET 12</p> <p>8x70</p>
<p>DET 13</p> <p>8x70</p>	<p>DET 14</p> <p>8x70 929331</p>	<p>DET 15</p> <p>6x60 006884</p>	

