

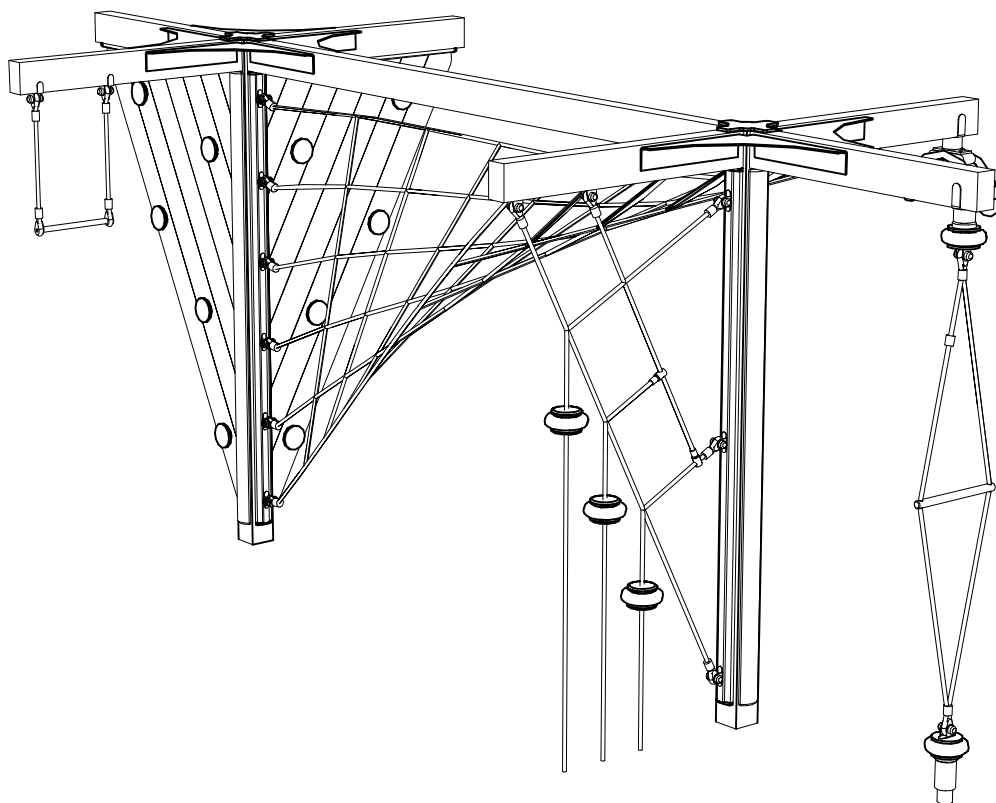
LAPPSET®

CLUB

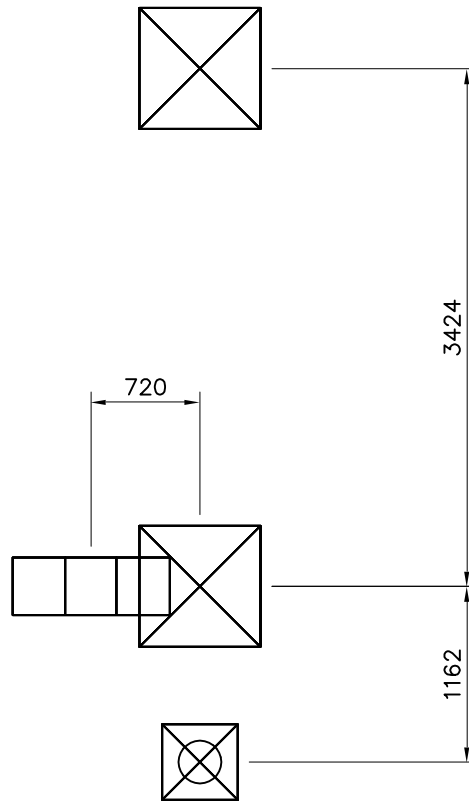
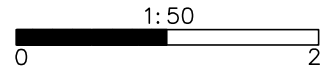
ASENNUSOHJE
MONTERINGSANSVISNING
INSTALLATION INSTRUCTION
AUFBAUANLEITUNG
NOTICE D'INSTALLATION

REF: 150200
DATE: 11.2.2005

150200

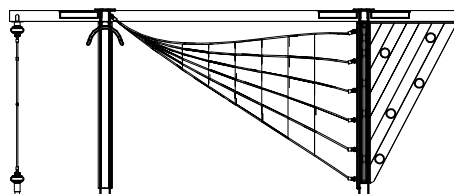
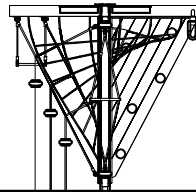
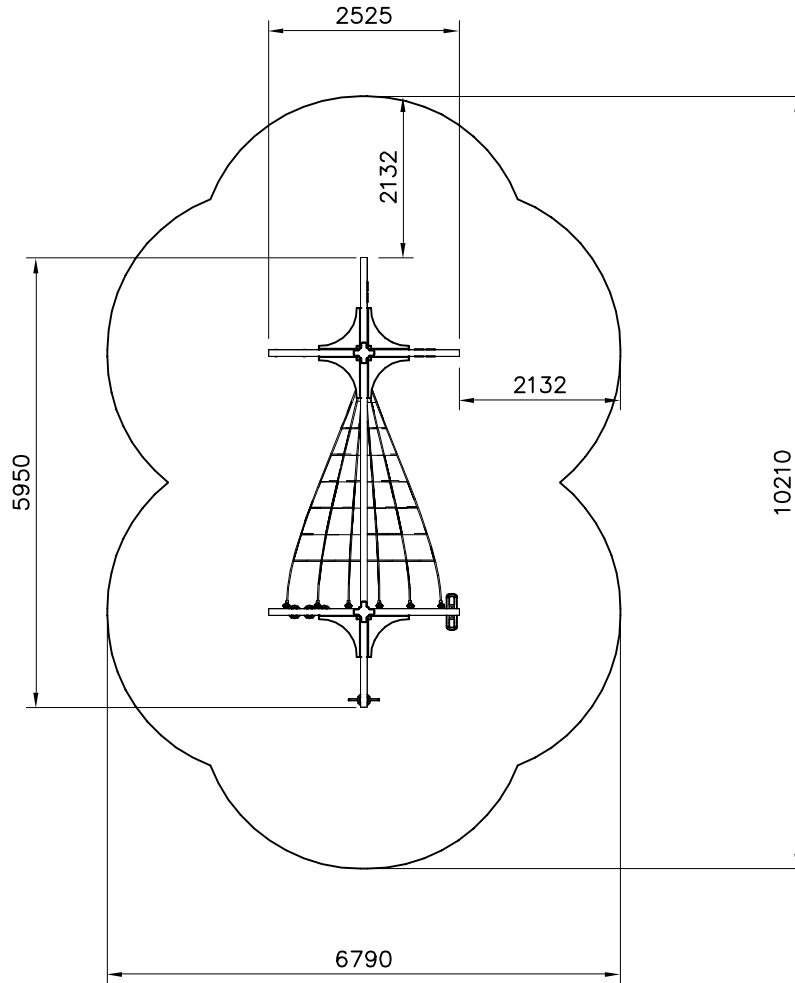
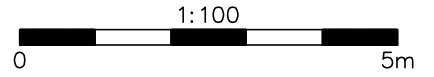


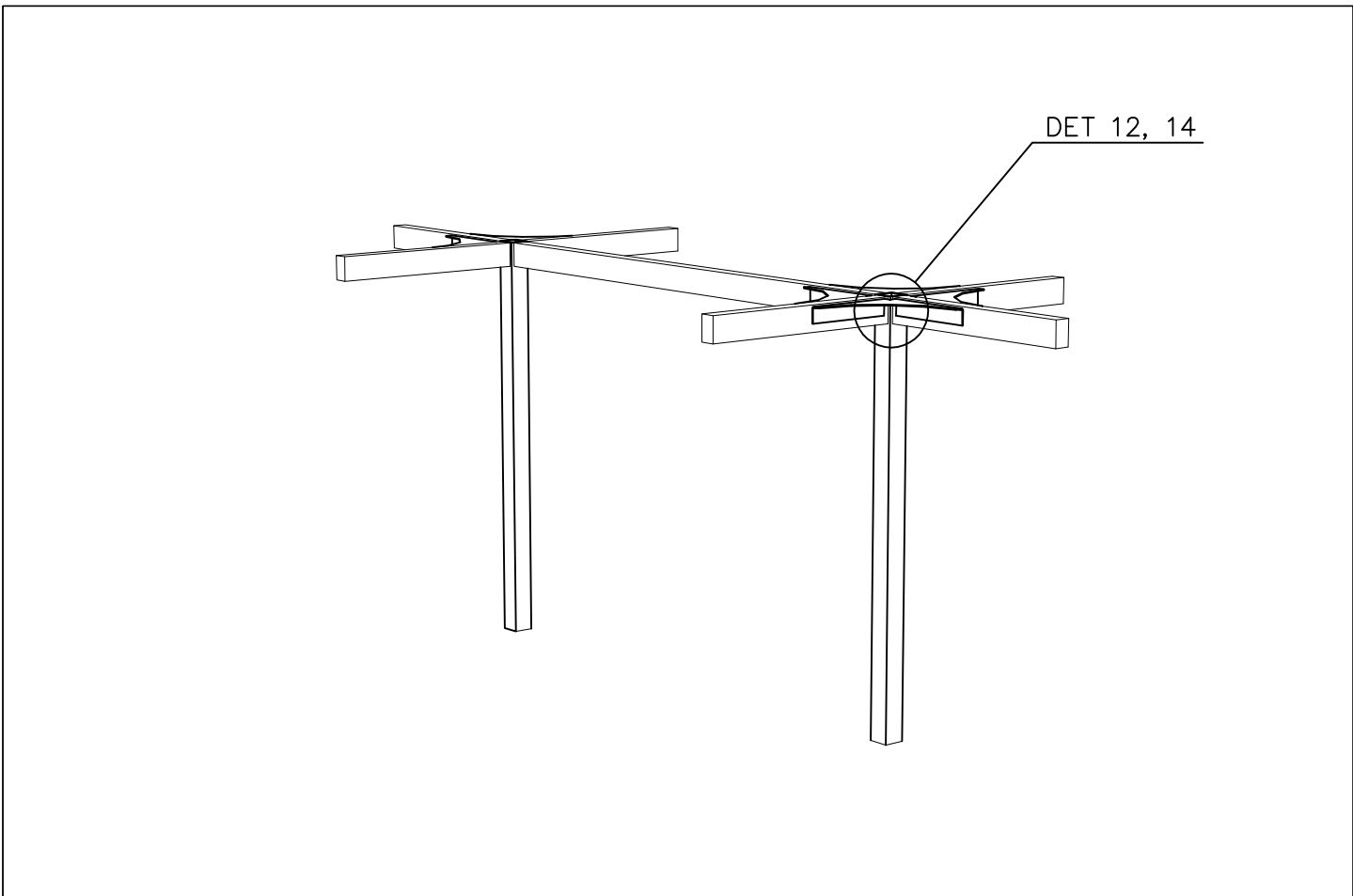
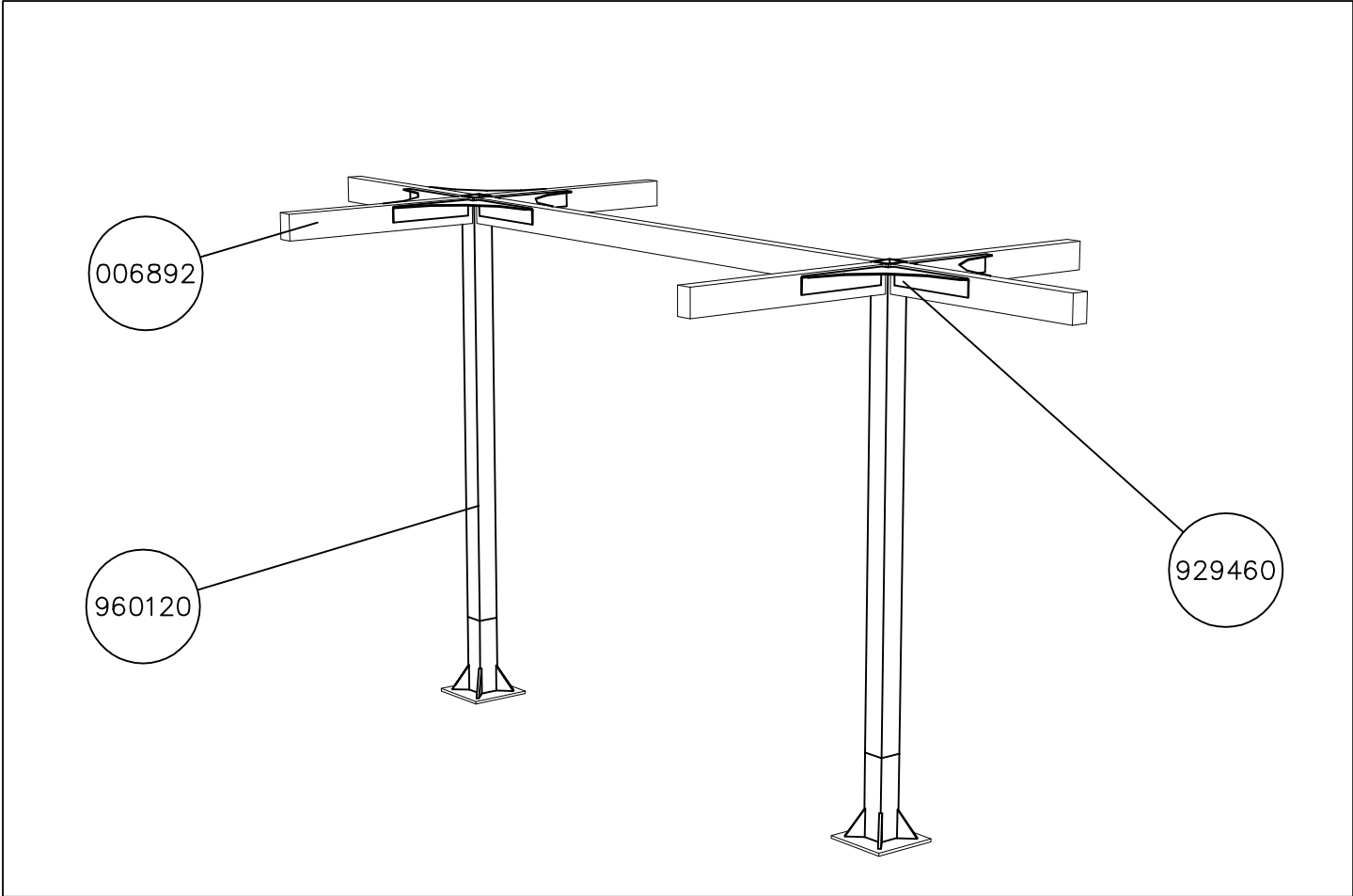
005354	PCS 1	005355	PCS 1	005358	PCS 1	005360	PCS 1	005361	PCS 2	005363	PCS 1
								L 2135			
005365	PCS 2	006860	PCS 4	006870	PCS 1	006886	PCS 1	006892	PCS 6	009917	PCS 2
		L 2200				L 3300		L 1200		350x350	
900240	PCS 104	903112	PCS 1	905013	PCS 1	905051	PCS 16	905103	PCS 16	909215	PCS 8
8x70		L 750		5mm		Ø24/8.5		PT-28/32-H		HPM 16x280	
909243	PCS 12	909519	PCS 2	909629	PCS 10	909637	PCS 10	909638	PCS 20	909850	PCS 48
6x60				10x30		M10		Ø20/10.5		M8x25 RST	
909851	PCS 16	929460	PCS 6	960100	PCS 60	960120	PCS 2	980107	PCS 8	980151	PCS 12
8x55 RST				Ø20		L 2900		6x60		Ø16/8.4	
	PCS		PCS		PCS		PCS		PCS		PCS
	PCS		PCS		PCS		PCS		PCS		PCS



<p>Sand 0.2–2 mm/ Gravel 2–8 mm</p> <p>Concrete 400x400x300</p> <p>50 300 800</p>	<p>Sand 0.2–2 mm/ Gravel 2–8 mm</p> <p>Concrete 1200x1200x330</p> <p>300 800</p>	<p>9917 909215</p> <p>60</p> <p>460</p>
<p>M16 (909215)</p>	<p>10x30 Ø20/10.5 005354 M10 909519</p>	<p>Sand 0.2–2 mm/ Gravel 2–8 mm</p> <p>300 ~400</p>

EN Impact Area 54.3 m²





<p>DET 1</p>	<p>DET 2</p>	<p>DET 3</p>	<p>DET 4</p>
<p>DET 5</p>	<p>DET 6</p>	<p>DET 7</p>	<p>DET 8</p>
<p>DET 9</p>	<p>DET 10</p>	<p>DET 11</p>	<p>DET 12</p>
<p>DET 13</p>	<p>DET 14</p>		

