

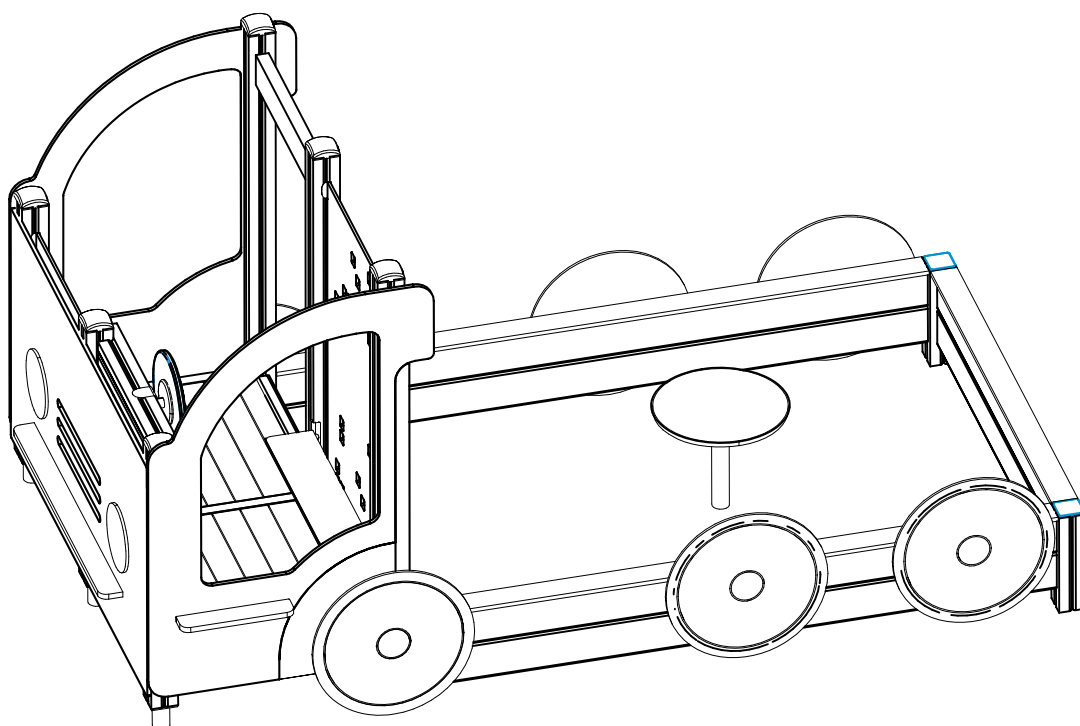
LAPPSET®

NEW FINNO



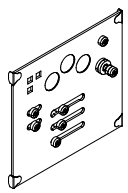
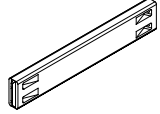
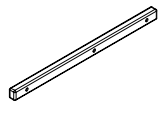
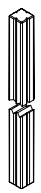
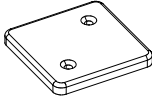
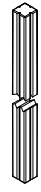
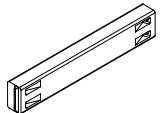
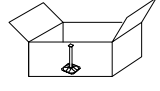
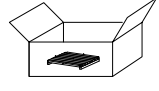

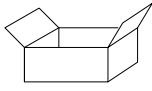
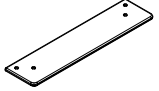
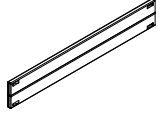
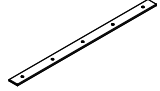
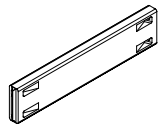

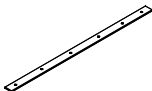
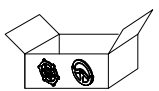
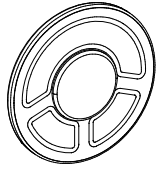
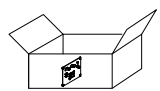
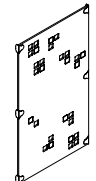
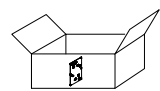
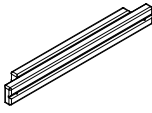
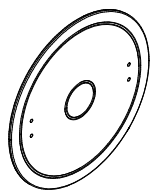
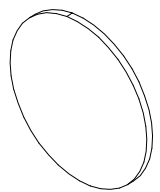
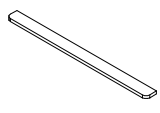
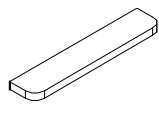
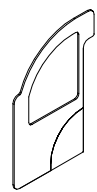
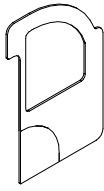
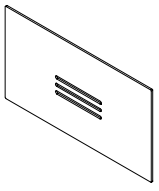
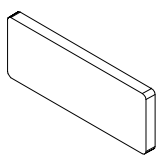

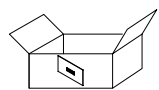
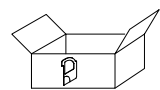
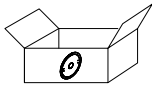
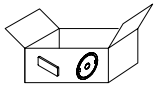
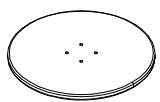
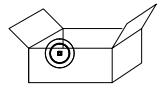
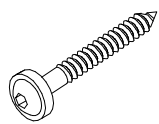
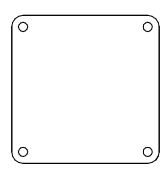
ASENNUSOHJE
MONTERINGSANSVISNING
INSTALLATION INSTRUCTION
AUFBAUANLEITUNG
NOTICE D'INSTALLATION

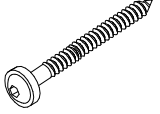
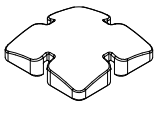
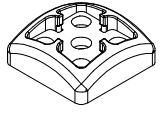
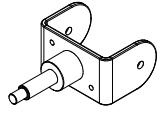
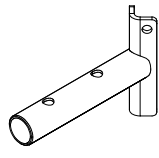
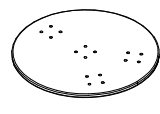
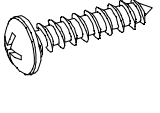
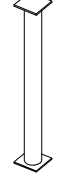
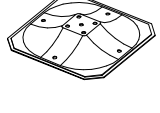
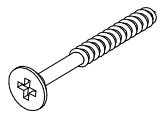
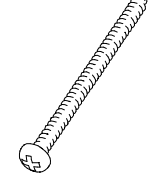
DATE: 21.3.2016

137910

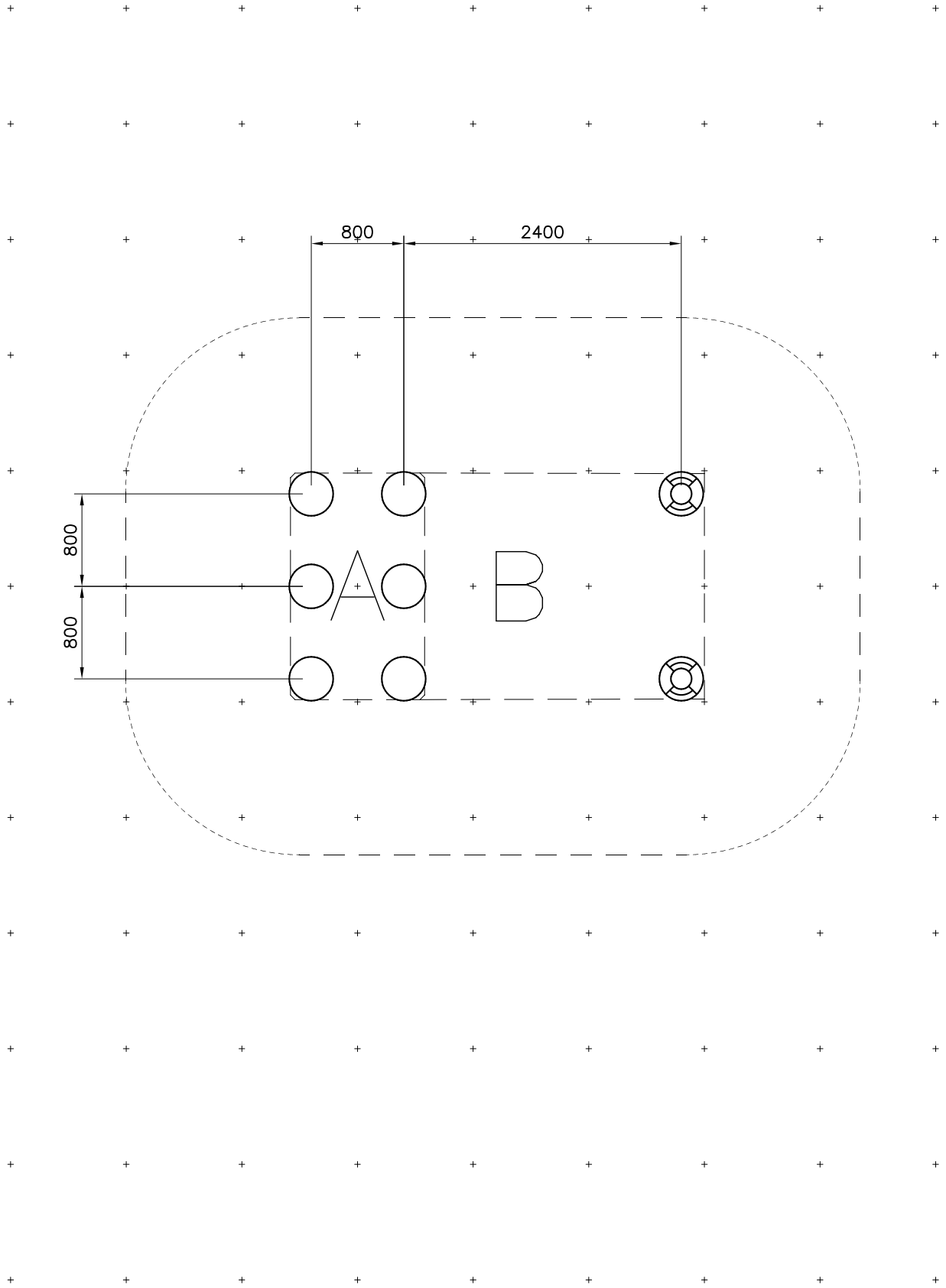
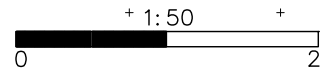


DATE: 21.3.2016

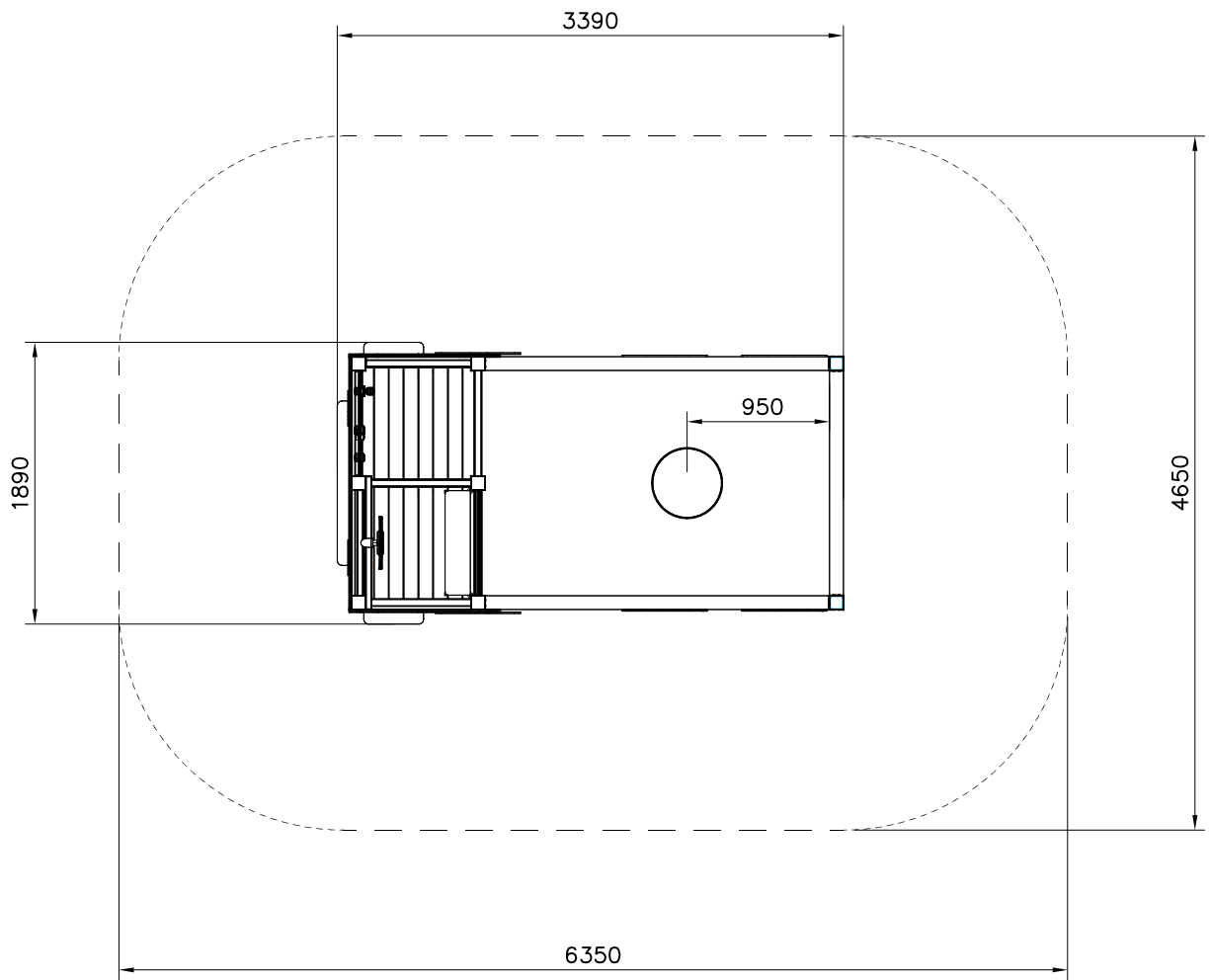
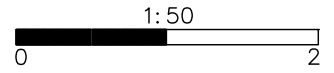
| | | | | | | | | | | | |
|---|----------|--|----------|--|----------|---|----------|--|-----------|--|----------|
| 008986  750x750 | PCS 2 | 702286  90x50 | PCS 1 | 705705-701  10x640x702 | PCS 1 | 706439-602  L 704 | PCS 2 | 706443  32x45x702 | PCS 4 | 706466-602  93x93x1025 | PCS 3 |
| 706481-701  83x83x10 | PCS 2 | 706509-602  93x93x1930 | PCS 3 | 706512-602  70x120x704 | PCS 4 | 706531  706531 | PCS 3 | 706535  706535 | PCS 2 | 706577-602  93x93x600 | PCS 2 |
| 706753  706753 | PCS 1 | 706783  15x170x700 | PCS 1 | 706887-602  45x290x1524 | PCS 1 | 706889  L 1500 | PCS 1 | 706891-602  45x145x724 | PCS 4 | 707273-602  45x290x2324 | PCS 2 |
| 707282  L 2300 | PCS 2 | 707333  707333 | PCS 1 | 707335-701  Ø350 | PCS 1 | 707449  707449 | PCS 1 | 707459-701  10x1200x702 | PCS 1 | 707461  707461 | PCS 1 |
| 707626-602  L 890 | PCS 1 | 707648  Ø570x10 | PCS 6 | 707709-702  Ø240x10 | PCS 2 | 707710-705  20x80x1100 | PCS 1 | 707714-705  20x80x400 | PCS 2 | 707724  15x1000x1500 | PCS 1 |
| 707725  15x1000x1500 | PCS 1 | 707728-608  15x925x1690 | PCS 1 | 707733  21x120x320 | PCS 4 | 707749  15x50x1190 | PCS 2 | 707754  707754 | PCS 1 | 707755  707755 | PCS 2 |
| 707762  707762 | PCS 2 | 707764  707764 | PCS 4 | 707776-704  Ø460x20 | PCS 1 | 707787  707787 | PCS 1 | 900240  Ø8x70 | PCS 17 | 902487  65x65 | PCS 1 |

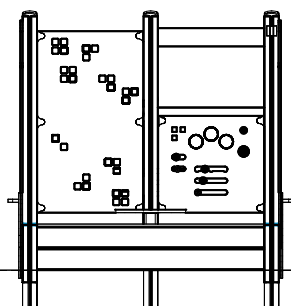
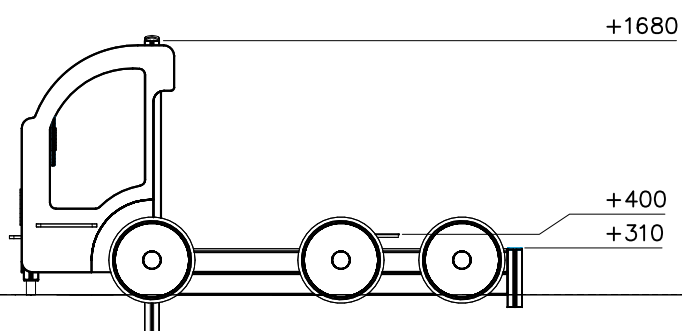
| | | | | | | | | | | | |
|--|-----------|--|----------|---|----------|--|----------|--|-----------|--|----------|
| 903093  Ø8x90 | PCS 54 | 905138  GRAY | PCS 6 | 905196  GRAY | PCS 6 | 905879  | PCS 1 | 907783-216  | PCS 2 | 908356  Ø700x20 | PCS 1 |
| 909506  Ø3.5x13 | PCS 4 | 909511  90x90x650 | PCS 4 | 909519  50x380x380 | PCS 6 | 980107  Ø6x60 | PCS 4 | 980131  Ø6x60 | PCS 24 | | PCS |
| | PCS | | PCS | | PCS | | PCS | | PCS | | PCS |
| | PCS | | PCS | | PCS | | PCS | | PCS | | PCS |
| | PCS | | PCS | | PCS | | PCS | | PCS | | PCS |
| | PCS | | PCS | | PCS | | PCS | | PCS | | PCS |
| | PCS | | PCS | | PCS | | PCS | | PCS | | PCS |

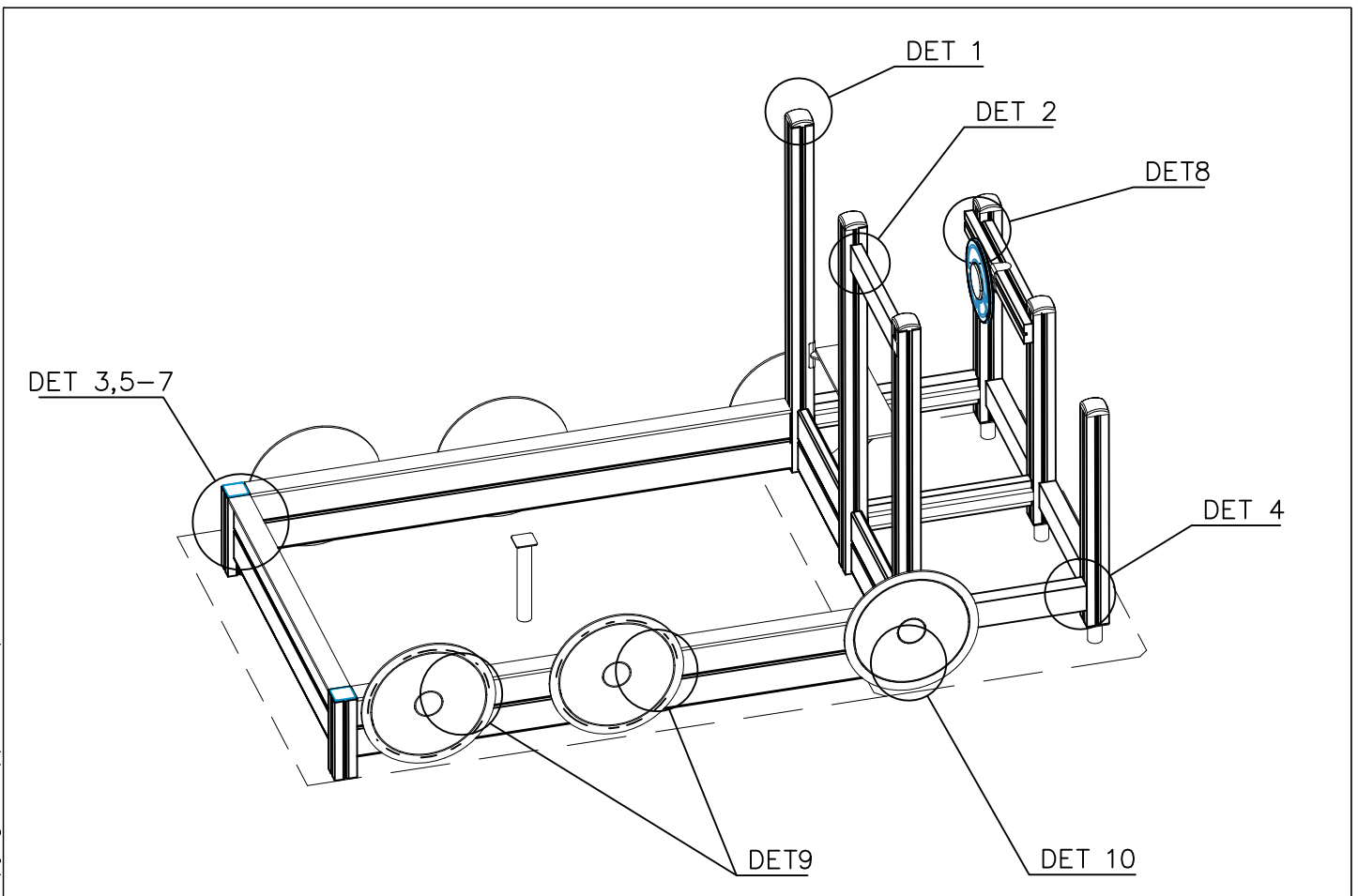
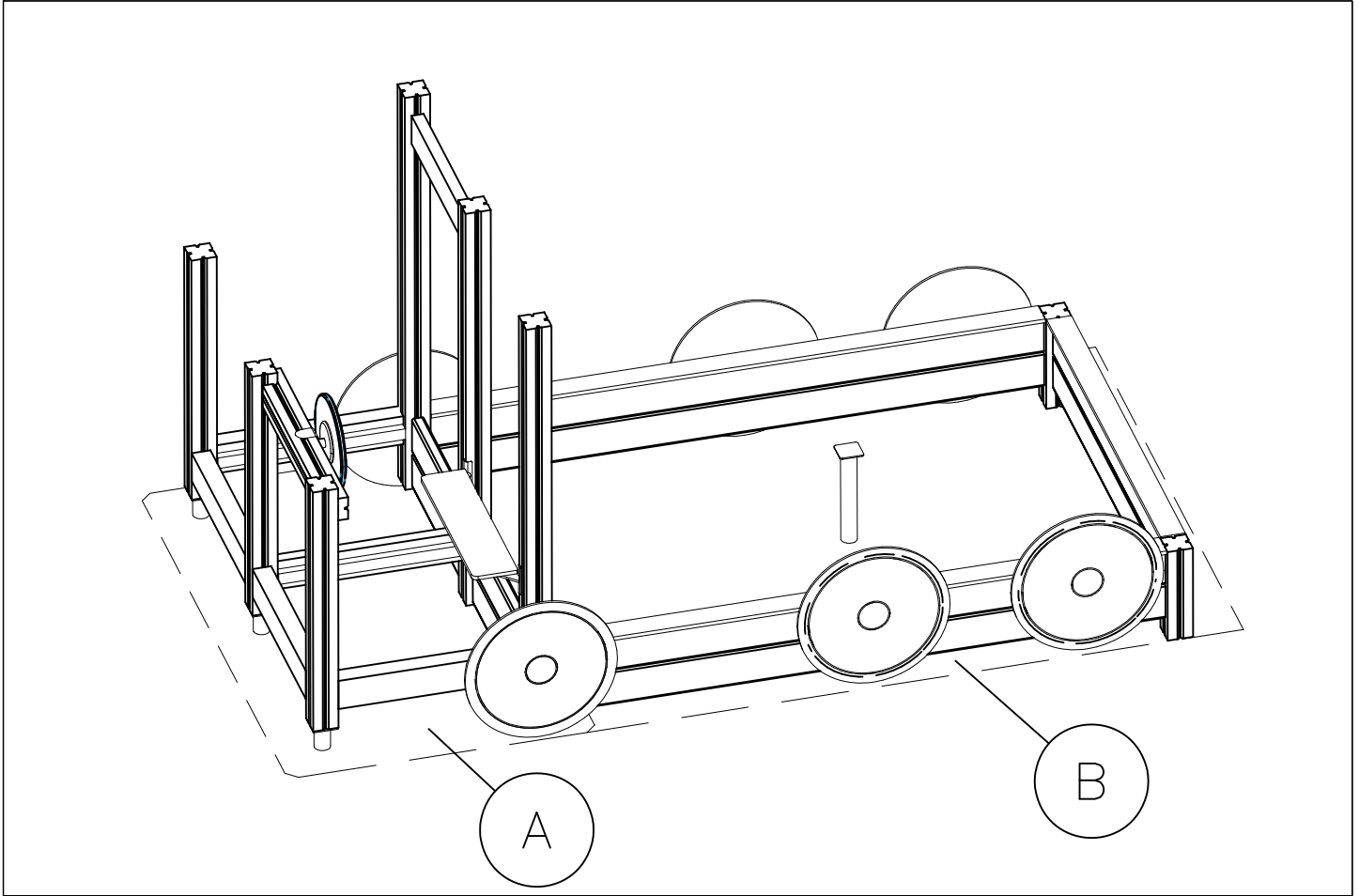
Grid size = 1000mm

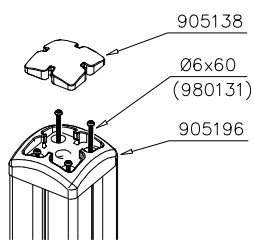
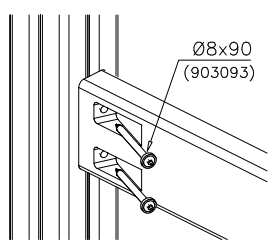
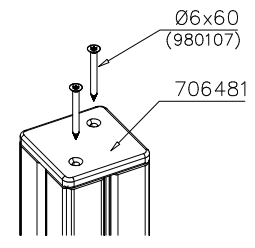
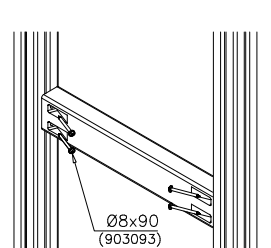
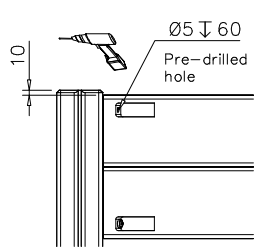
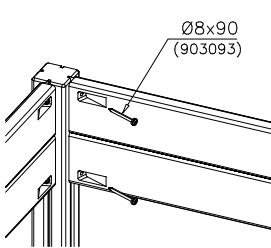
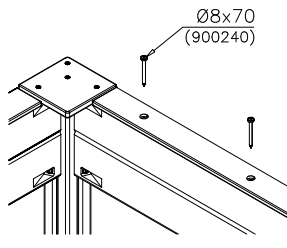
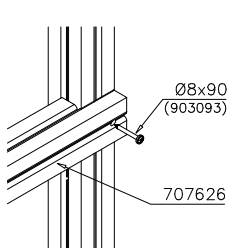
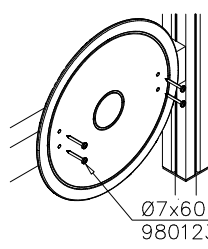
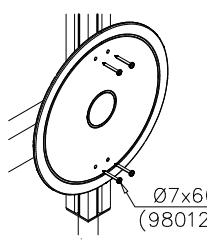


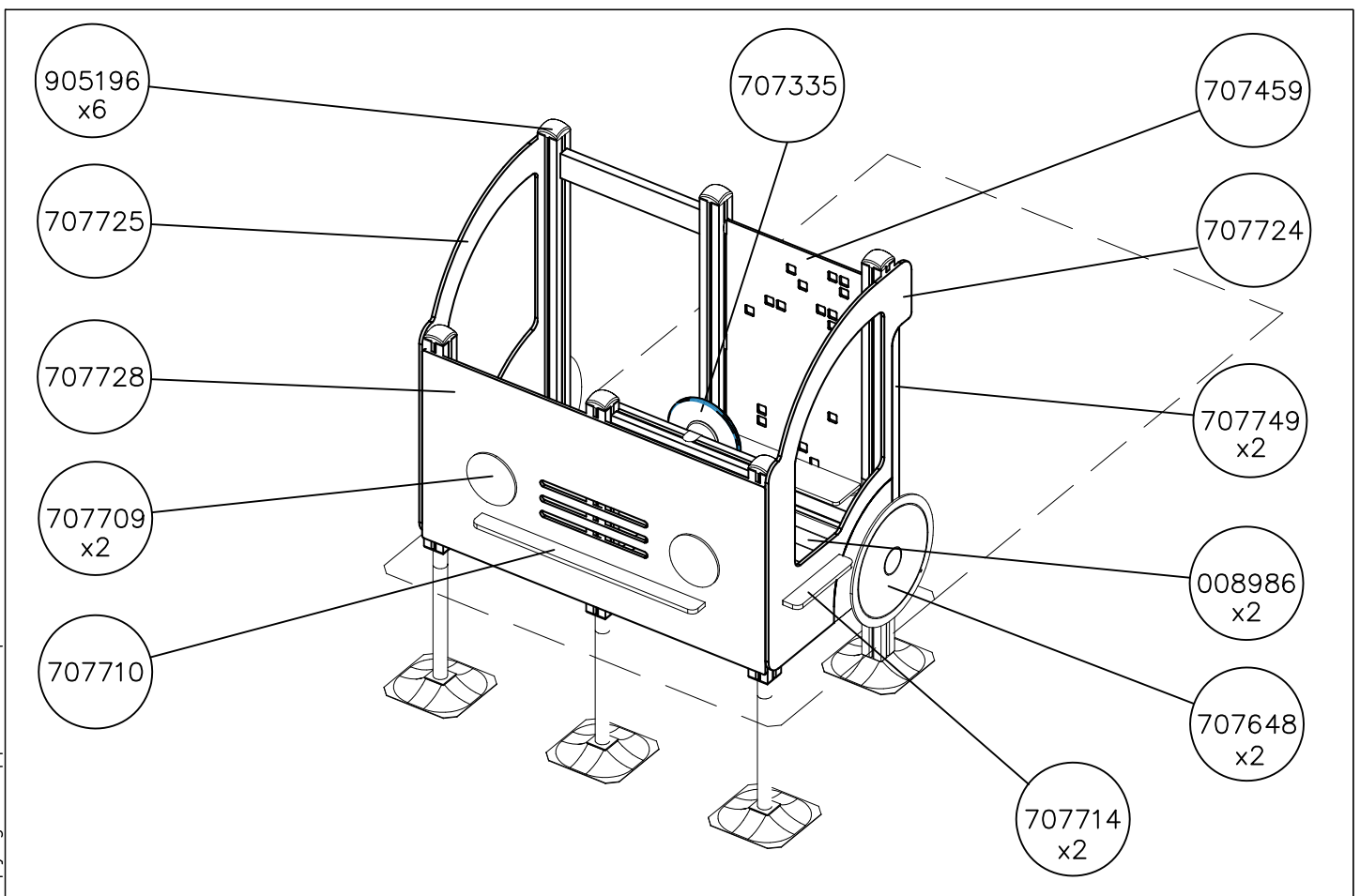
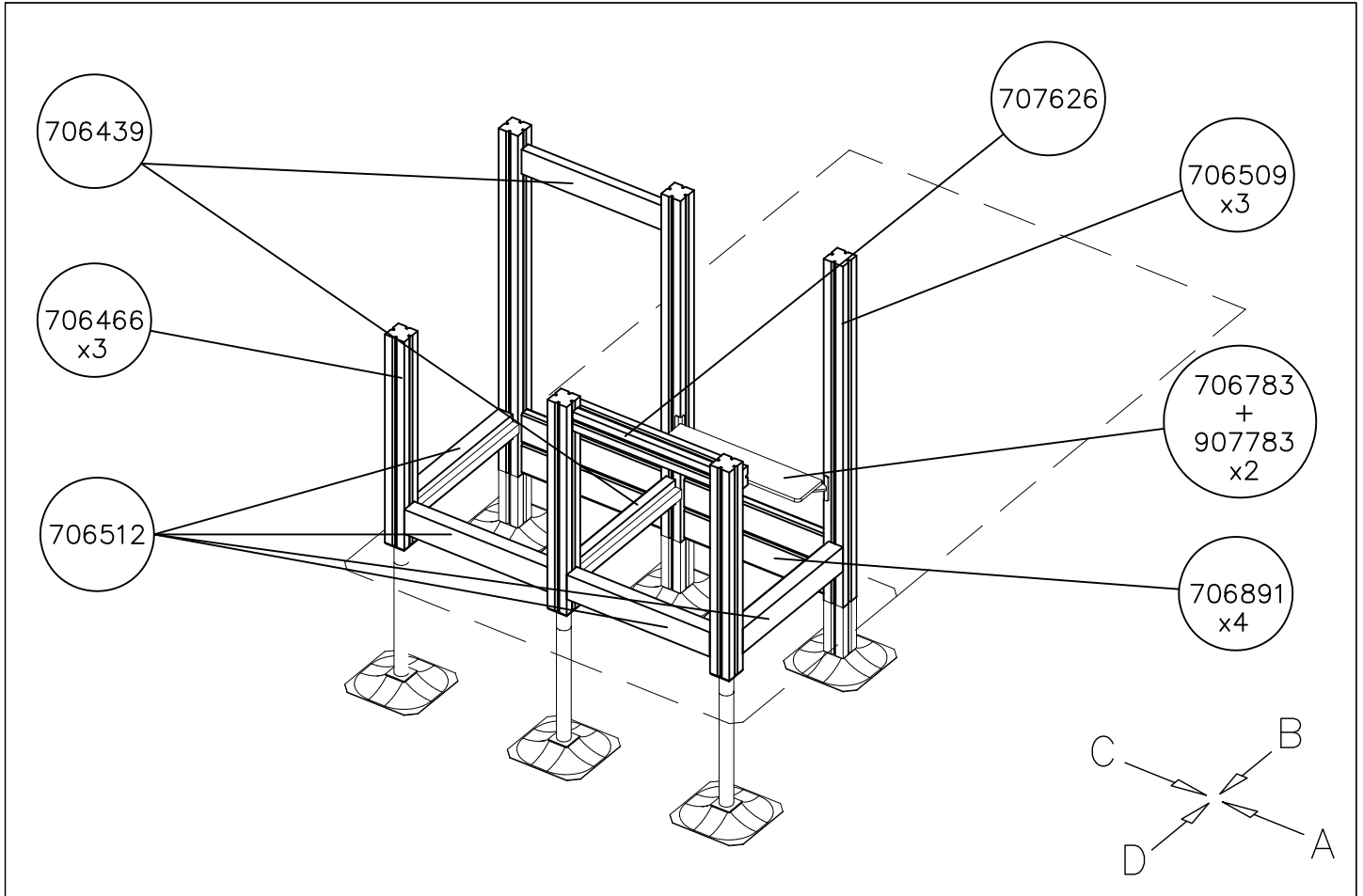
----- Falling Space 27.3 m²
Max Falling Height 570 mm







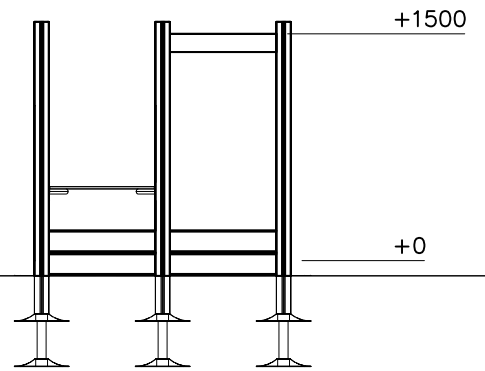
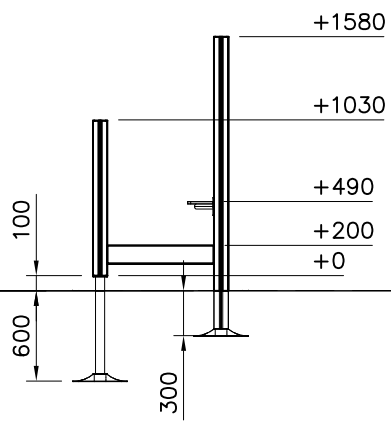
| | | | |
|--|---|---|--|
| <p>DET 1</p>  <p>905138 Ø6x60 (980131) 905196</p> | <p>DET 2</p>  <p>Ø8x90 (903093)</p> | <p>DET 3</p>  <p>Ø6x60 (980107) 706481</p> | <p>DET 4</p>  <p>Ø8x90 (903093)</p> |
| <p>DET 5</p>  <p>Ø5 ↓ 60 Pre-drilled hole 10</p> | <p>DET 6</p>  <p>Ø8x90 (903093)</p> | <p>DET 7</p>  <p>Ø8x70 (900240)</p> | <p>DET 8</p>  <p>Ø8x90 (903093) 707626</p> |
| <p>DET 9</p>  <p>Ø7x60 980123</p> | <p>DET 10</p>  <p>Ø7x60 (980123)</p> | | |
| | | | |
| | | | |



1:50

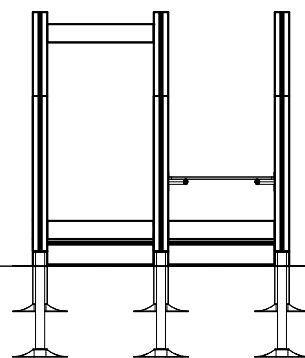
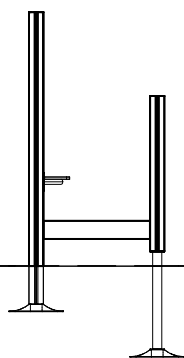
(A)

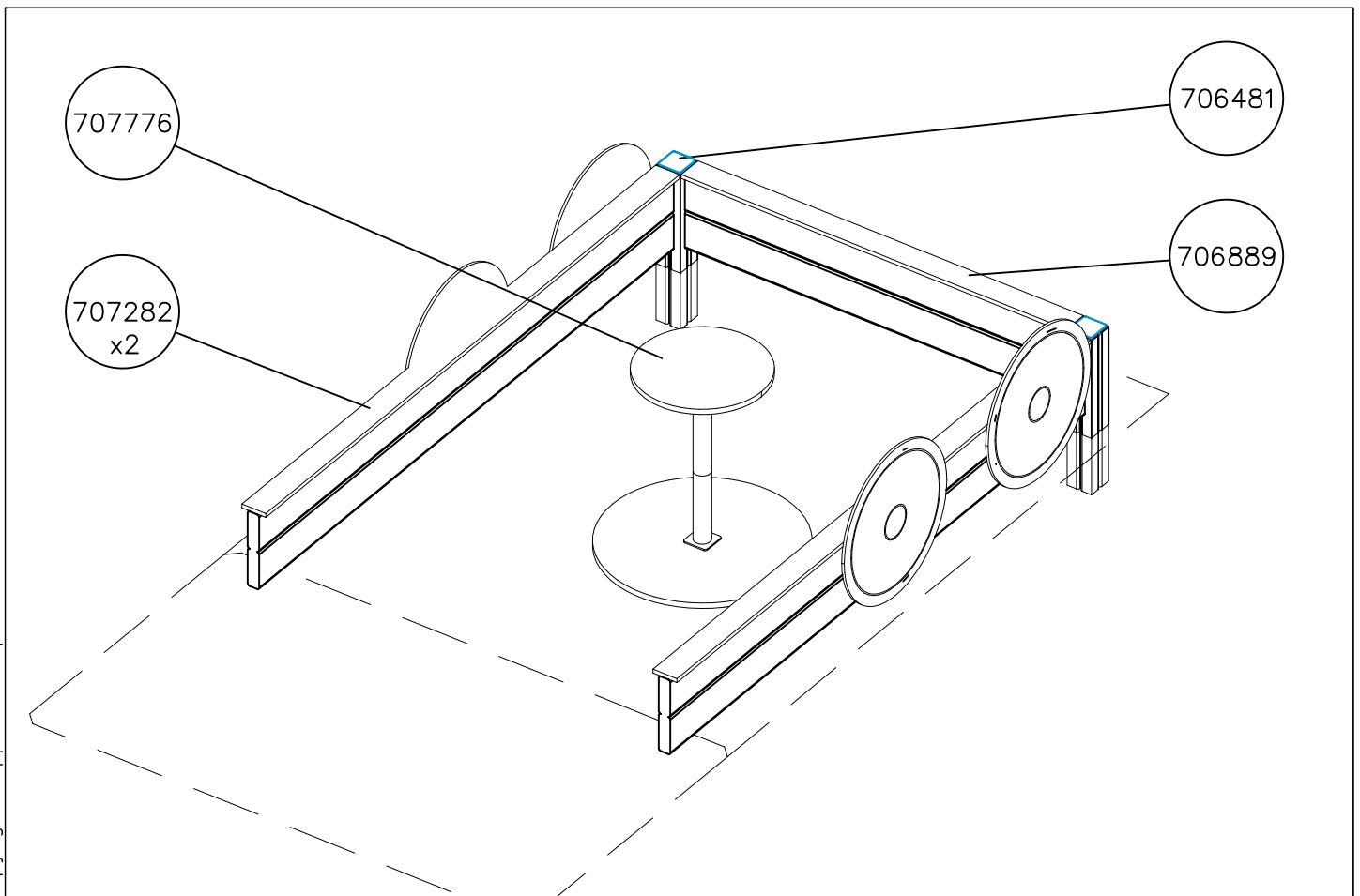
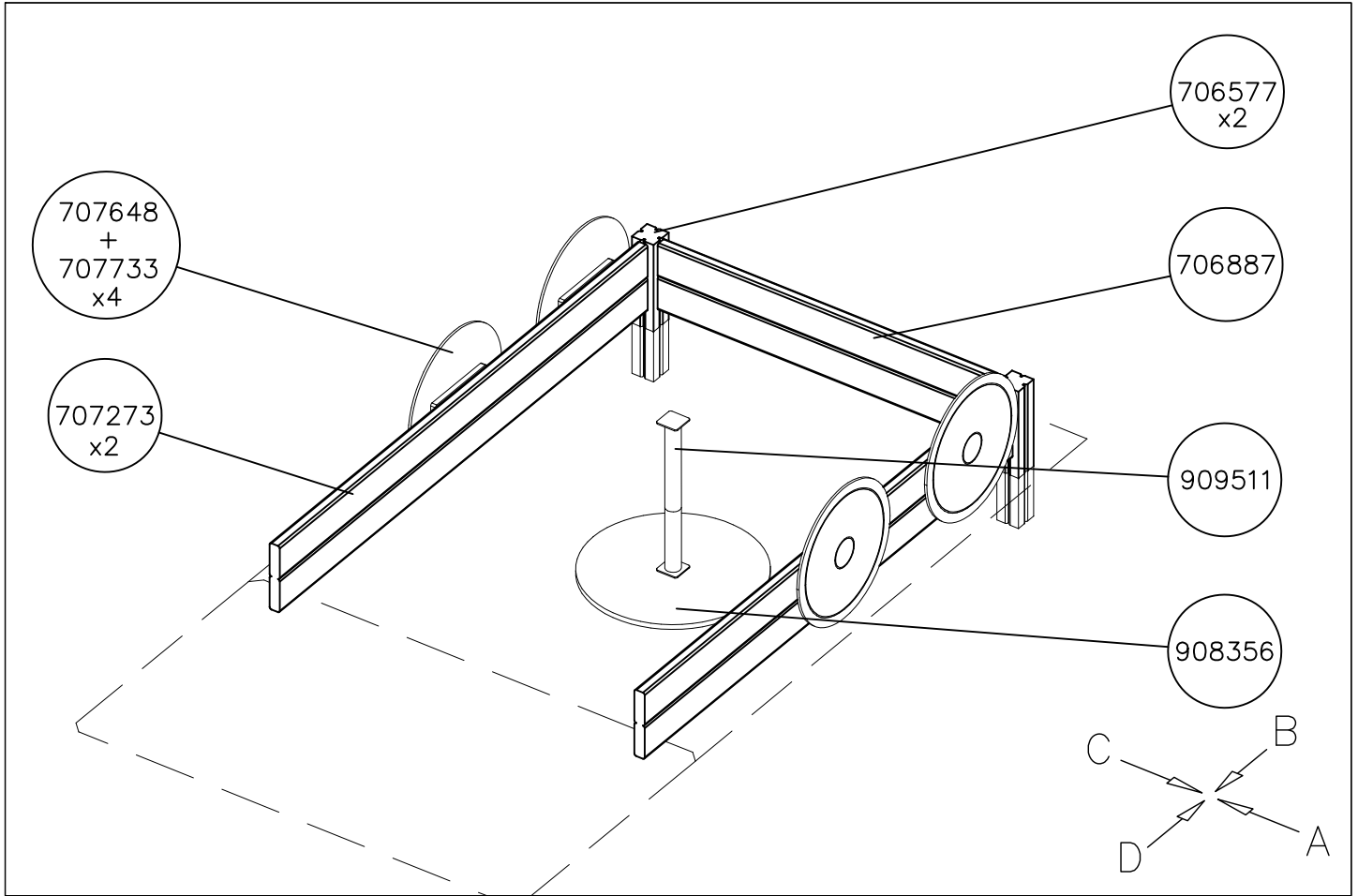
(B)



(C)

(D)

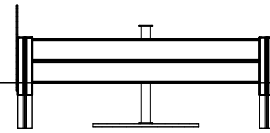
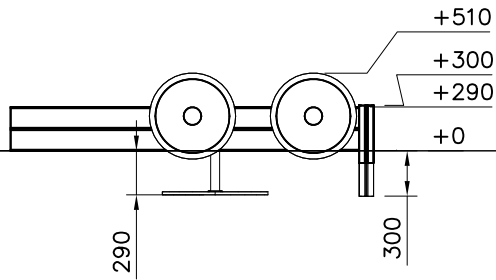




1:50

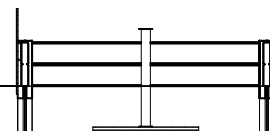
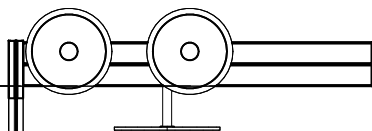
A

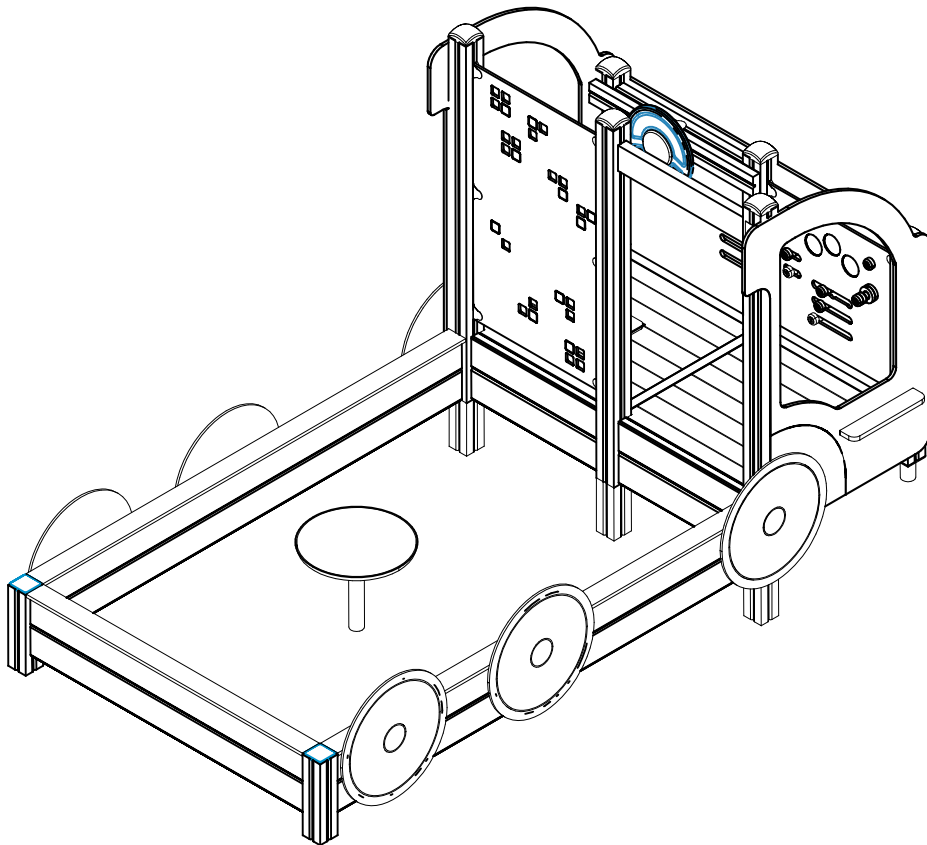
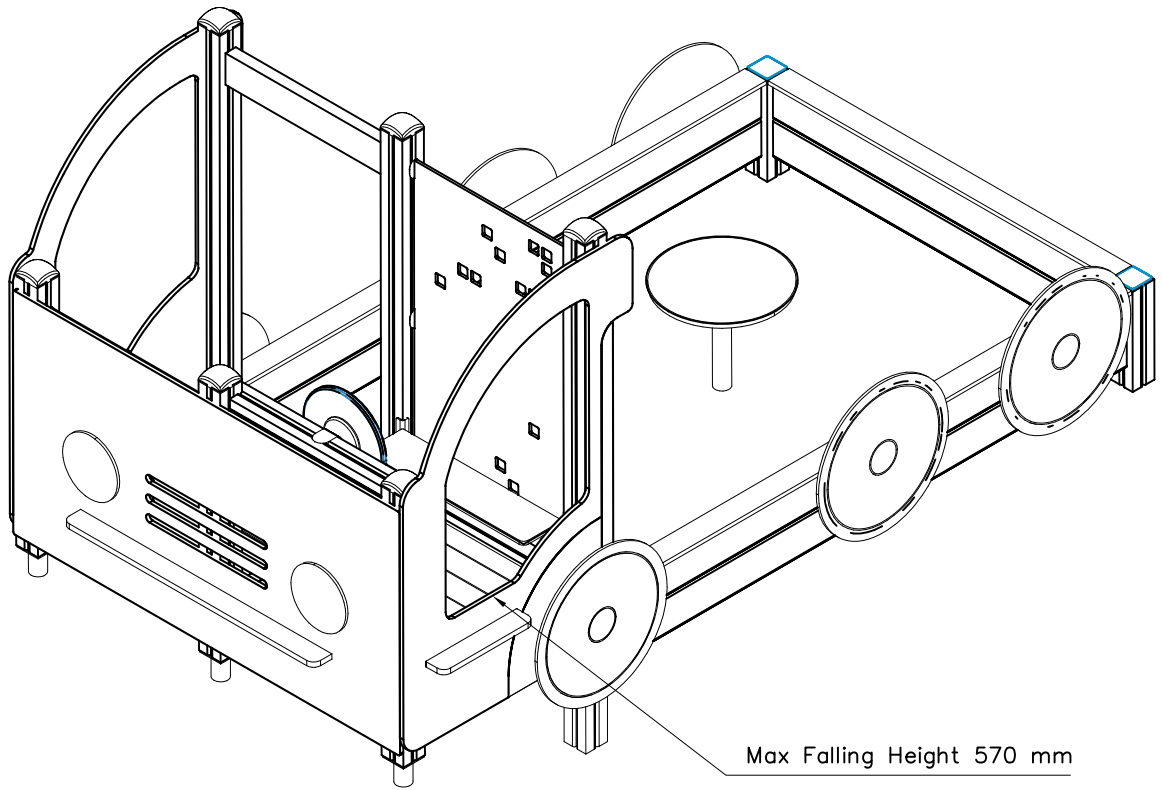
B



C

D







Tuotekyltti tulee tuotteen mukana yhdellä seuraavista tavoista:

1) Metallinen tuotekyltti ja kiinnitysruuvit

- Kiinnitä tuotekyltti ruuveilla tolppaan noin 2 metrin korkeuteen kuvan 1 mukaisesti.

2) Tuotekylttitarra

- Puhdista maalattu metalli- tai vaneripinta pölystä ja kosteudesta. Liimaa tarra kuvan 2 mukaisesti.
- Huom. Älä kiinnitä tarraa karheapintaiseen laminaattiin tai maalattuun puuhun.

Vår produktmärkning levereras på ett av följande sätt:

1) Produktskylt i metall

- Fäst skylten med de medföljande skruvarna

2) Självhäftande produktetikett

- Rengör den pulverlackerade metallytan eller laminatyten så att den blir fri från smuts och fukt. Fäst etiketten enligt fig. 2.
- Obs! Fäst ej etiketten på detaljer med skrovlig yta eller på målat trä.

Product label is delivered by one of following ways:

1) Metal product label and screws

- Fasten the label with screws.

2) Label sticker

- Clean the painted metal or plywood surface from dirt and moisture. Fasten the sticker as shown in the figure 2.
- Note. Do not attach the sticker to rough surfaced laminate or painted wood.

La plaque d'informations produit est livrée sous l'une de ces 3 formes :

1) Plaque métallique et vis

- Fixez la plaque à l'aide des vis.

2) Etiquette autocollante

- Avant de coller l'étiquette, nettoyez le composant métallique peint ou la plaque de contreplaqué, de toute saleté. La surface doit être sèche (voir image 2).
- Attention, ne pas coller l'étiquette sur une surface lamellé-collée irrégulière ou sur du bois peint.

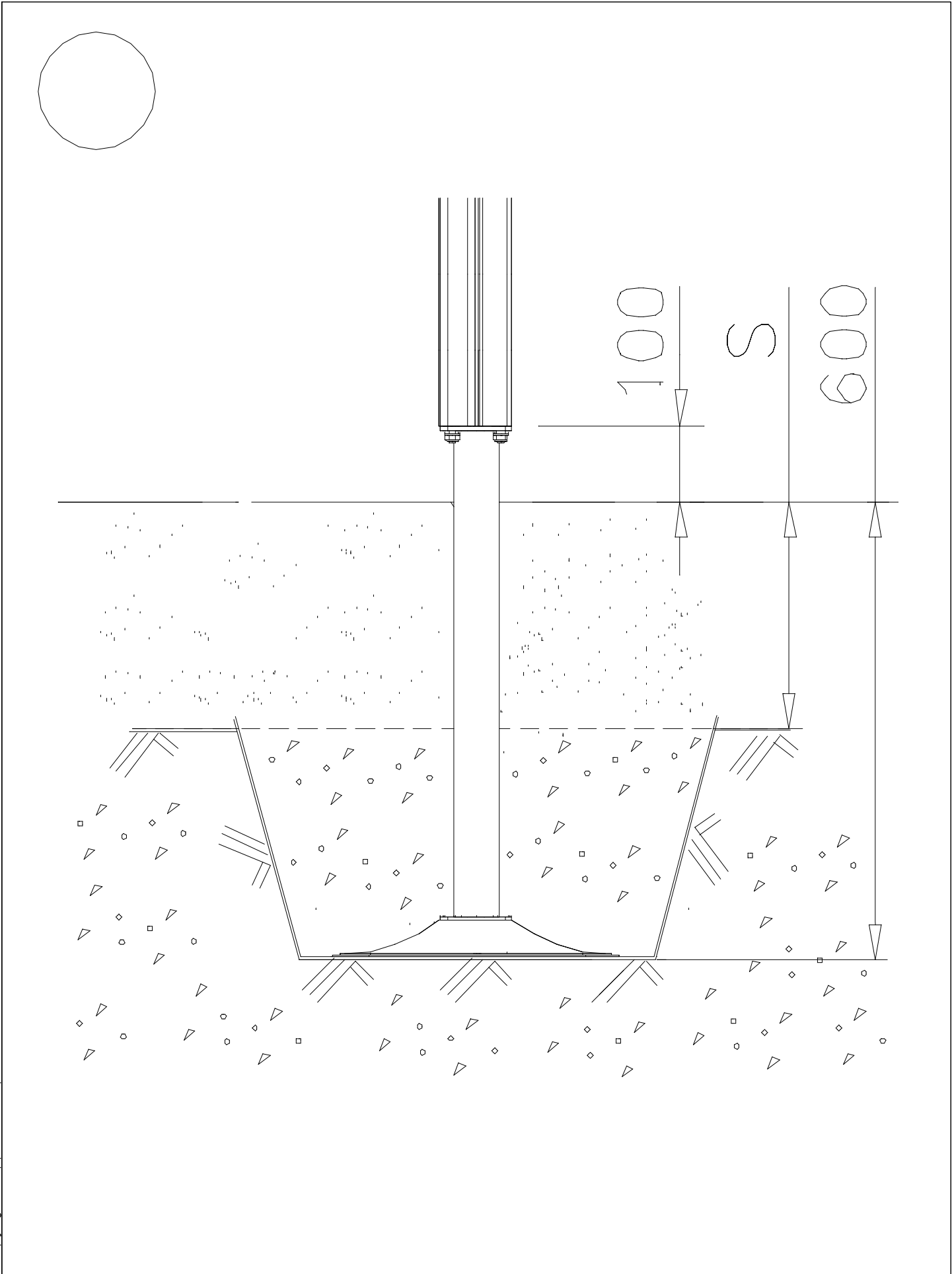
Die Auslieferung des Produktaufklebers erfolgt auf eine dieser Arten:

1) Produkt-Schild aus Metall incl. Schrauben

- Die Befestigung des Schildes erfolgt mittels der Schrauben.

2) Aufkleber

- Entfernen Sie zunächst Schmutz und Feuchtigkeit vom lackierten Metall bzw. von der Holzoberfläche und bringen Sie den Aufkleber wie im Bild oben rechts beschrieben auf den gesäuberten Untergrund auf.
- Beachten Sie: Bringen Sie den Aufkleber nicht auf raues laminiertes oder lackiertes Holz an.



LAPPSET®
BETON FOUNDATION

FOOT

DATE: 27.10.2015

1(1)

| | | | |
|--|-----|--|-----|
| ② 905104 | PCS | | PCS |
| | 4 | | |
|  M10 | PCS | | PCS |
| | | | |



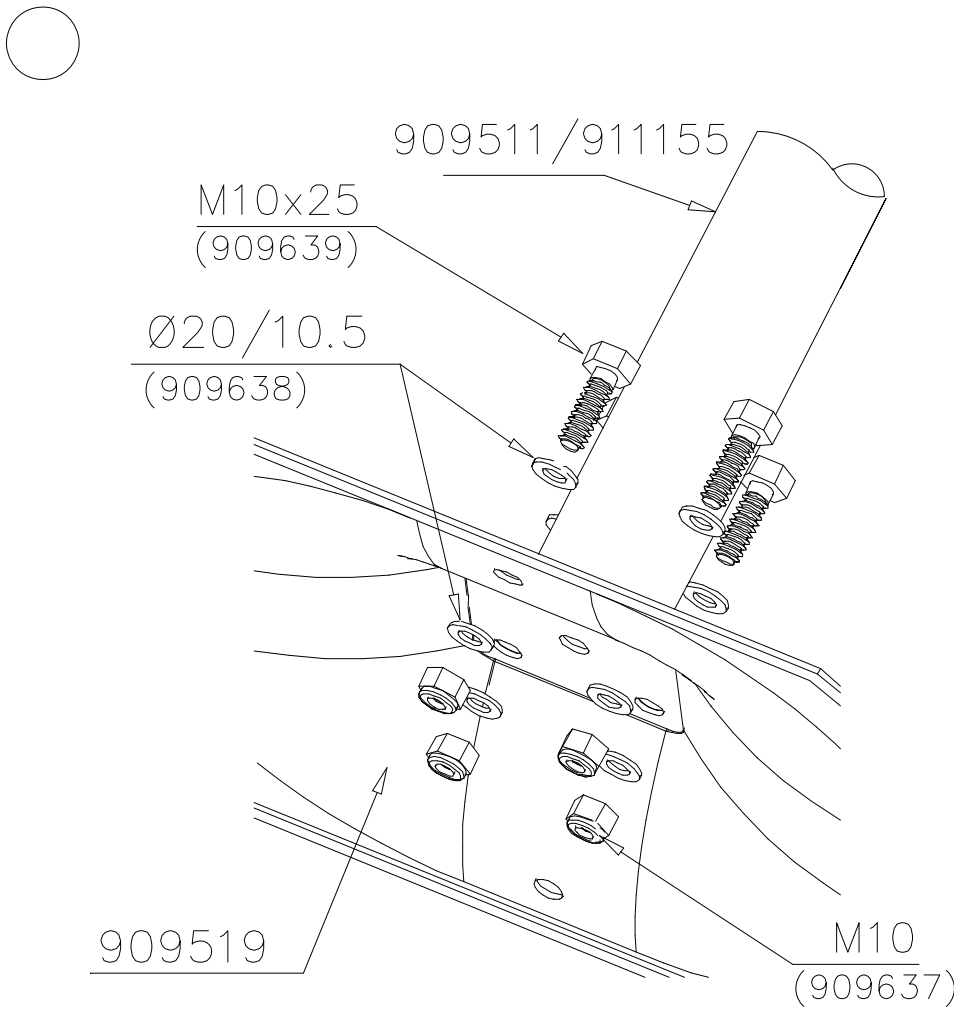
905104


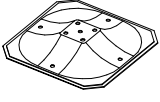
LAPPSET® DEEP FOUNDATION

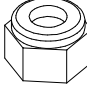

FOOT

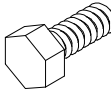
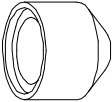
DATE: 15.5.2018

1(1)




| | | | | | |
|---|---|-----|---|---|-----|
| ① | 909511 | PCS | ② | 909519 | PCS |
| |  | 1 | |  | 1 |
| | 90x90x650 | | | 50x380x380 | |

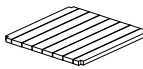
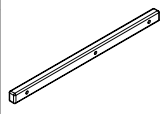
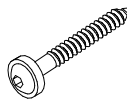

| | | | | | |
|---|---|-----|---|---|-----|
| ③ | 909637 | PCS | ④ | 909638 | PCS |
| |  | 4 | |  | 8 |
| | M10 | | | Ø20/10.5 | |

| | | | | | |
|---|---|-----|---|---|-----|
| ⑤ | 909639 | PCS | ⑥ | 905104 | PCS |
| |  | 4 | |  | 4 |
| | M10x25 | | | M10 | |

OPTION FOOT

| | | | | | |
|---|---|-----|--|--|-----|
| ① | 911155 | PCS | | | PCS |
| |  | 1 | | | |
| | 90x90x650 | | | | |



| | | | |
|---|-----|---|-----|
| ① 008986 | PCS | ② 706443 | PCS |
|  | 1 |  | 2 |
| 750x750 | | 32x45x702 | |
| ③ 900240 | PCS | ④ 980101 | PCS |
|  | 6 |  | 8 |
| Ø8x70 | | Ø4.5x70 | |
| | PCS | | PCS |
| | | | |
| | PCS | | PCS |
| | | | |
| | PCS | | PCS |
| | | | |

DET 1

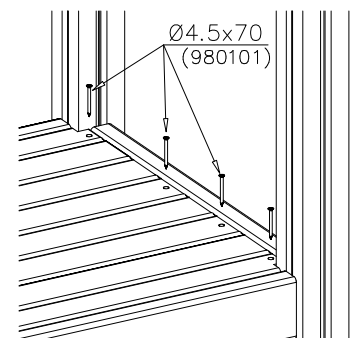


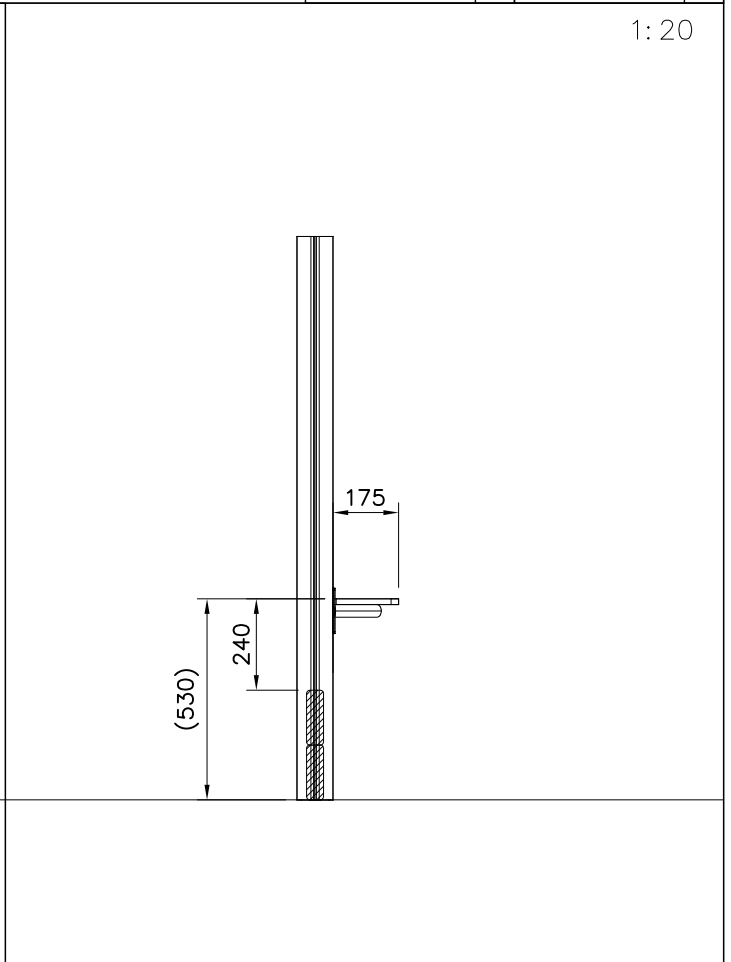
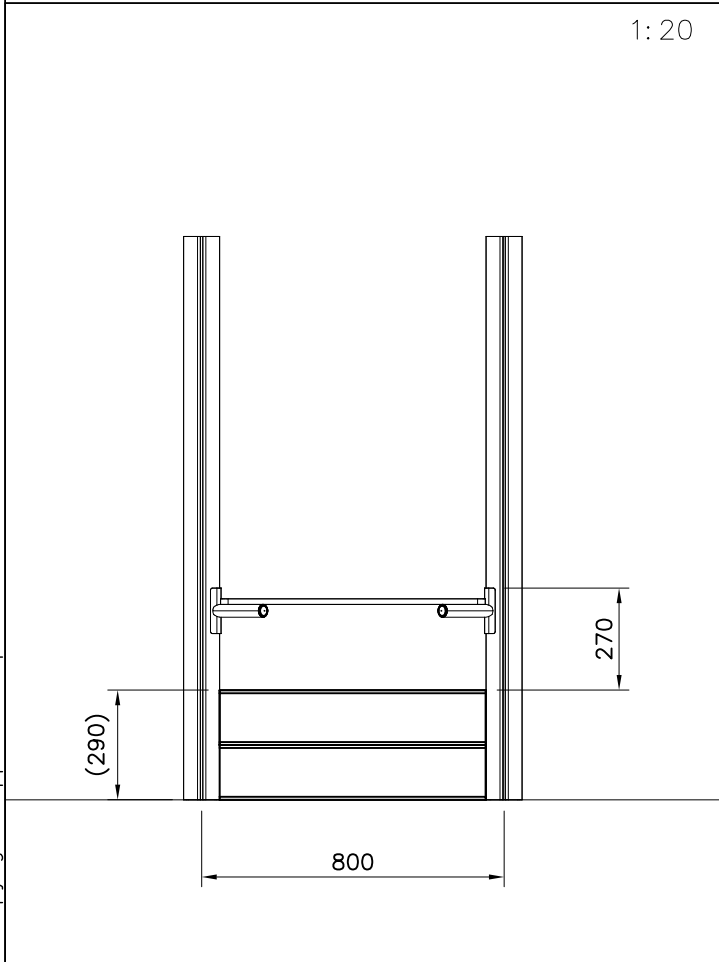
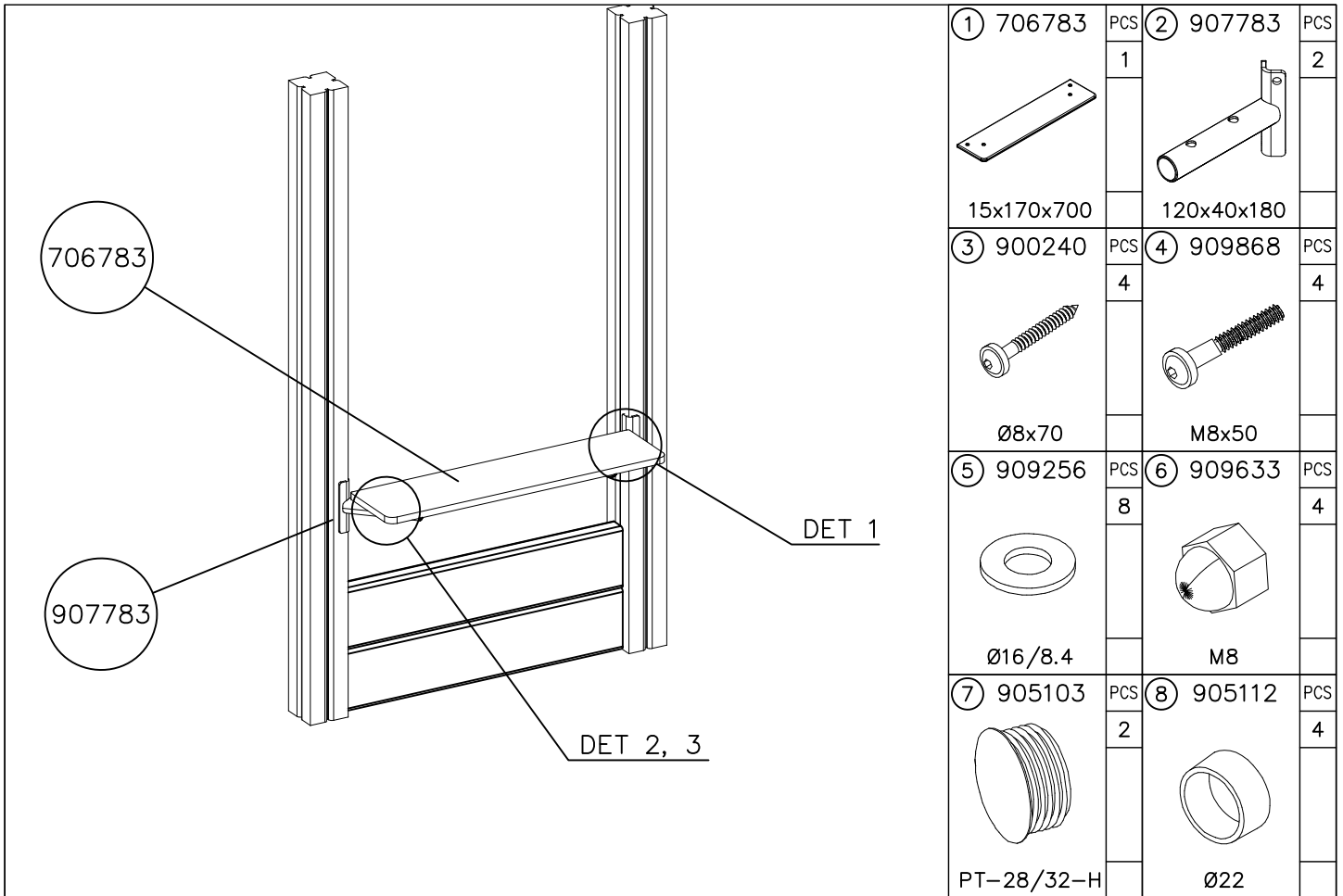
DET 2

Naulanauha kannatinlistan puolelle.
Nail list to the bottom.



DET 3





DET 1

Pre-drill hole
 Esireikä

Ø5 ↓ 50

907783

Ø16/8.4

(909256)

Ø8x70

(900240)

DET 2

907783

905103

DET 3

905112

M8x50

(909868)

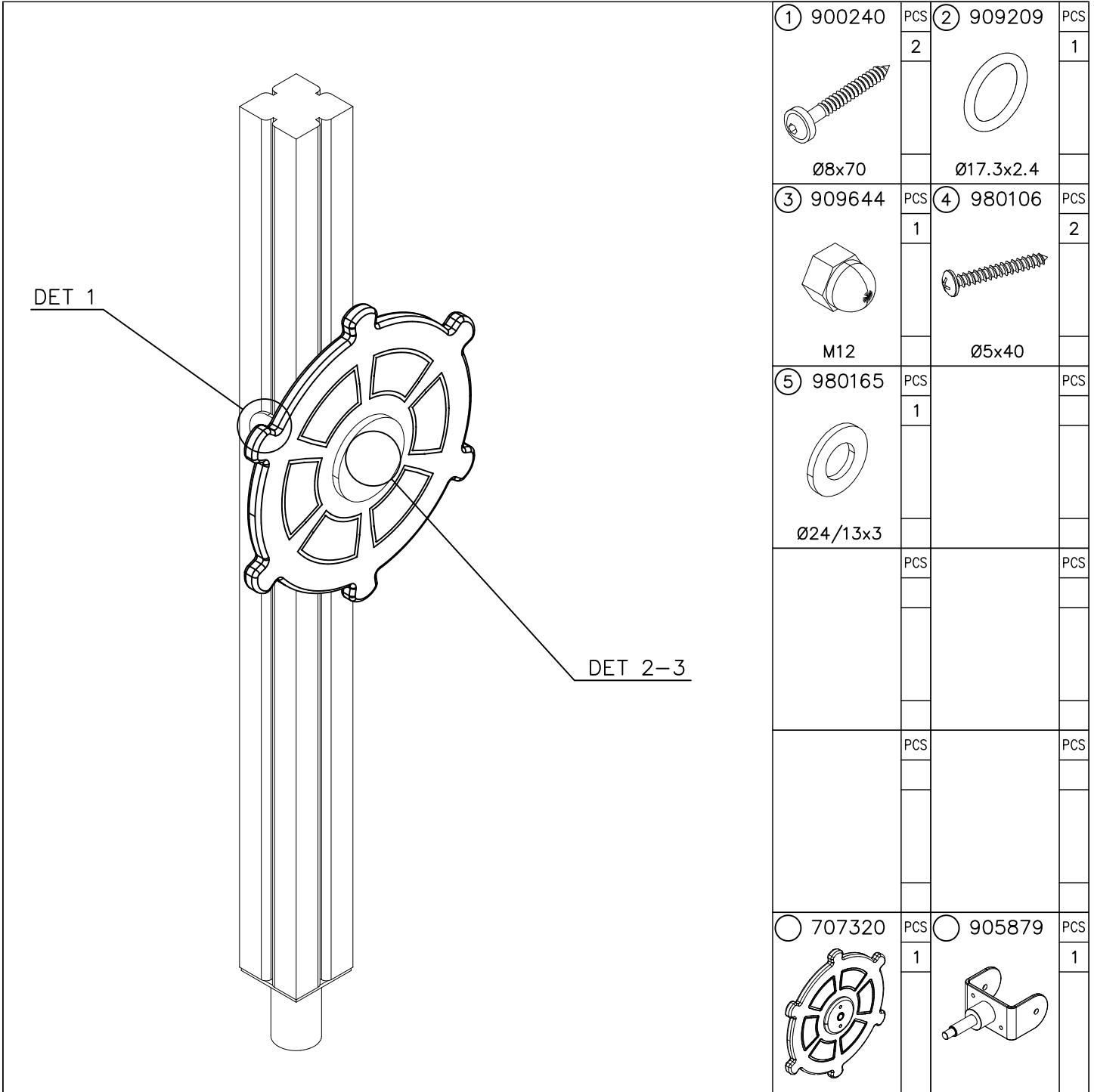
706783

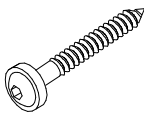
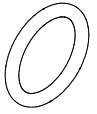
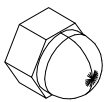
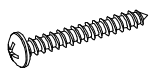

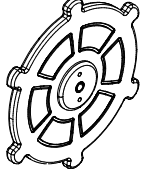
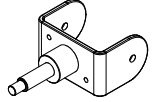
Ø16/8.4

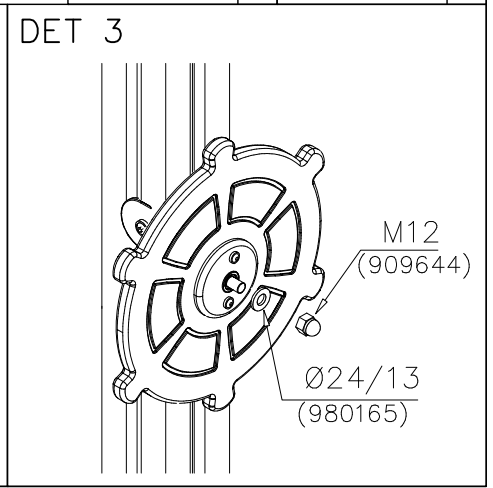
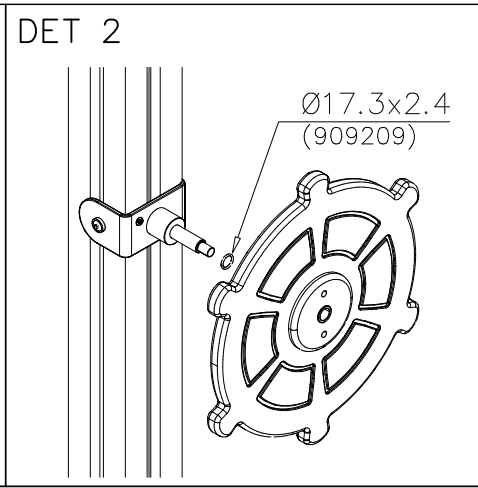
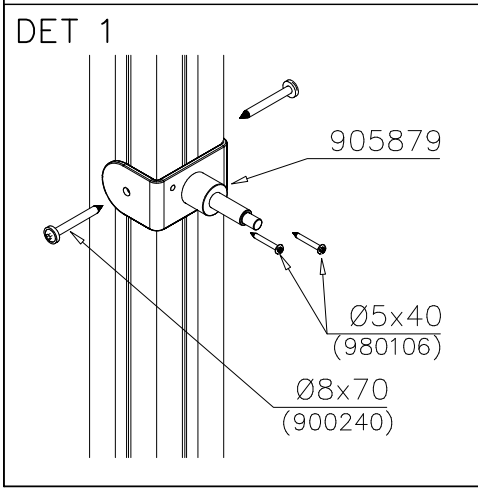
(909256)

M8

(909633)



| | | | |
|---|-----|---|-----|
| ① 900240 | PCS | ② 909209 | PCS |
|  | 2 |  | 1 |
| Ø8x70 | | Ø17.3x2.4 | |
| ③ 909644 | PCS | ④ 980106 | PCS |
|  | 1 |  | 2 |
| M12 | | Ø5x40 | |
| ⑤ 980165 | PCS | | PCS |
|  | 1 | | |
| Ø24/13x3 | | | |
| | PCS | | PCS |
| | | | |
| | PCS | | PCS |
| | | | |
| ○ 707320 | PCS | ○ 905879 | PCS |
|  | 1 |  | 1 |



DET 1,2

| | | | |
|-------------|-----|----------|-----|
| ① 903176 | PCS | ② 909850 | PCS |
| | 4 | | 4 |
| | | M8x25 | |
| ③ 909256 | PCS | ④ 909633 | PCS |
| | 8 | | 4 |
| Ø16/8.4x1.6 | | M8 | |
| ⑤ 980123 | PCS | | PCS |
| | 4 | | |
| Ø7x60 | | | |

*Note:
No gaps between:
8–25mm
89–230mm

800

80

*Note

800

80

*Note

| COLOR OPTIONS | |
|---------------|------------|
| -701 | BLUE |
| -702 | YELLOW |
| -703 | LIME |
| -704 | DARK GRAY |
| -705 | LIGHT GRAY |
| -706 | RED |
| -707 | GREEN |
| -708 | FUXIA |

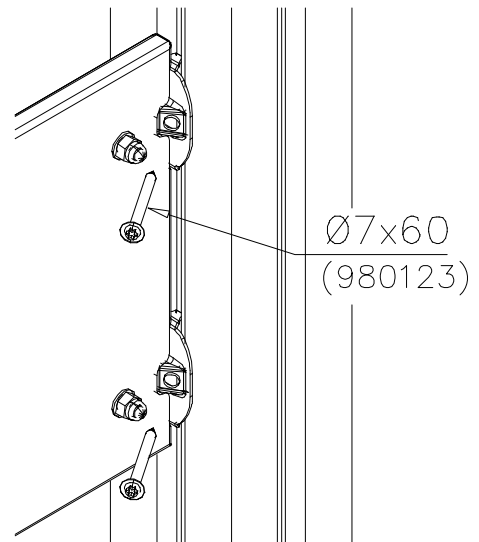
GAME WALL OPTIONS

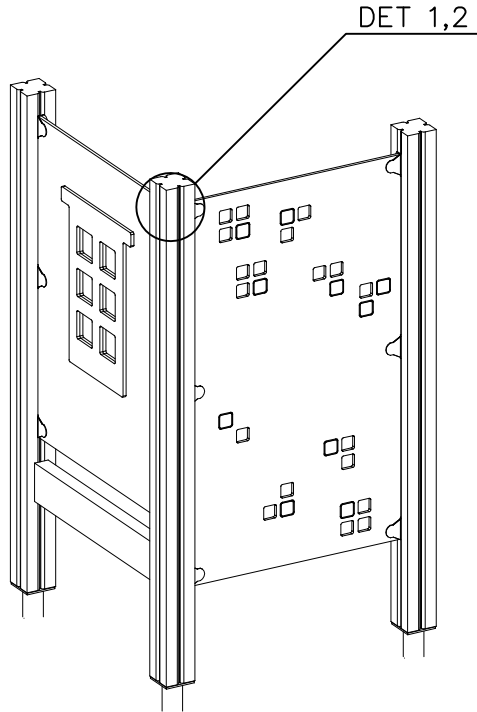
| | | | |
|---|---|--|--|
| 706766 | 706772 | 706308 | 707453 |
|  |  |  |  |
| 640x702 | 640x702 | 640x702 | 640x702 |
| 707209 | 705705 | 707433 | 707386 |
|  |  |  |  |
| 640x702 | 640x702 | 640x702 | 640x702 |
| 709403 | 709358 | 709405 | |
|  |  |  | |
| 640x702 | 640x702 | 420x702 | |

DET 1



DET 2

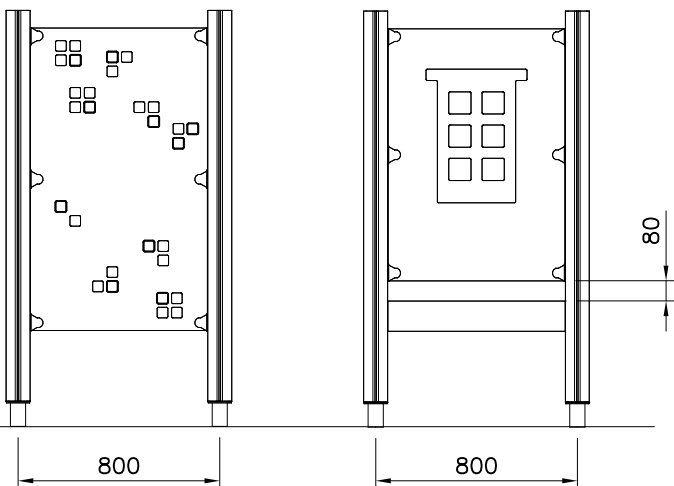




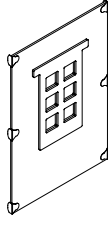
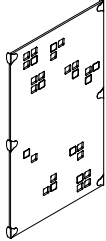
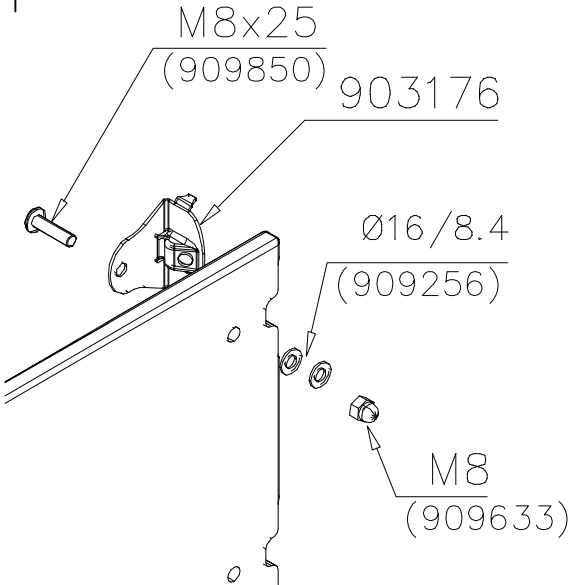
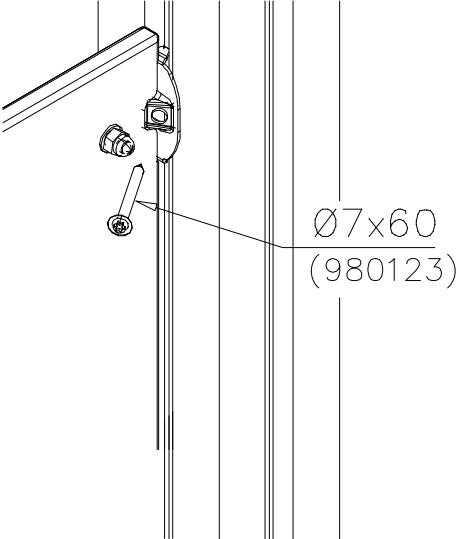
| | | | |
|-------------|-----|----------|-----|
| ① 903176 | PCS | ② 909850 | PCS |
| | 6 | | 6 |
| | | M8x25 | |
| ③ 909256 | PCS | ④ 909633 | PCS |
| | 12 | | 6 |
| Ø16/8.4x1.6 | | M8 | |
| ⑤ 980123 | PCS | | PCS |
| | 6 | | |
| Ø7x60 | | | |

COLOR OPTIONS

| | |
|------|------------|
| -701 | BLUE |
| -702 | YELLOW |
| -703 | LIME |
| -704 | DARK GRAY |
| -705 | LIGHT GRAY |
| -706 | RED |
| -707 | GREEN |
| -708 | FUXIA |



HIGH WALL OPTIONS

| 707430 | 707459 | | |
|---|---|--|--|
|  <p data-bbox="114 680 256 712">702x1000</p> |  <p data-bbox="464 680 606 712">702x1200</p> | | |
| | | | |
| | | | |
| <p data-bbox="65 1570 165 1601">DET 1</p>  | <p data-bbox="788 1570 895 1601">DET 2</p>  | | |

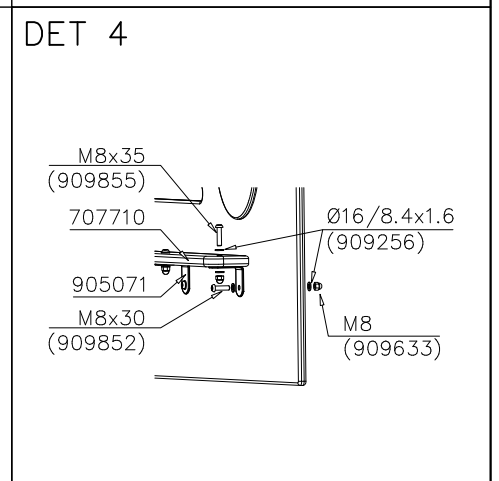
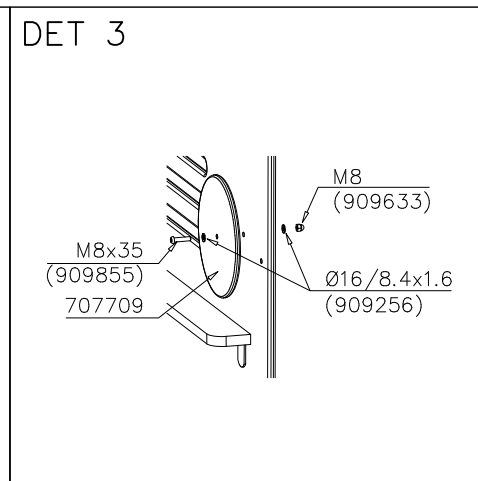
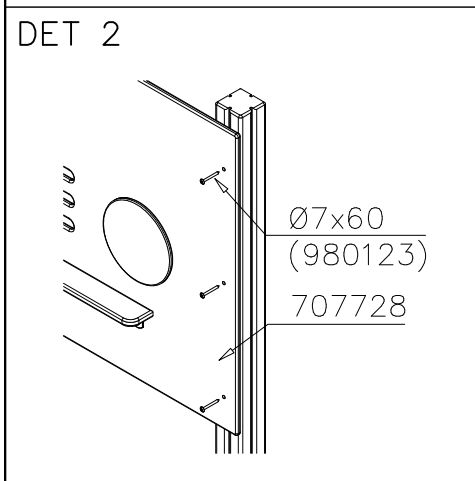
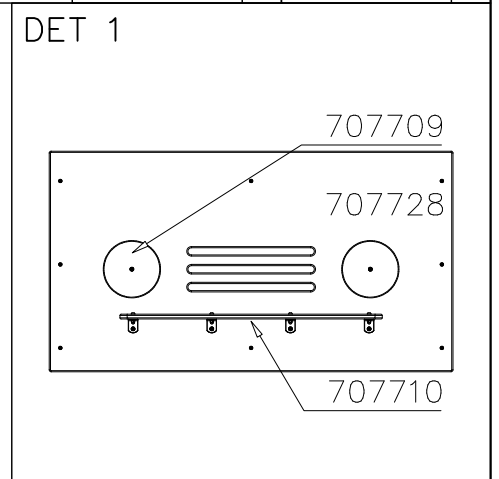
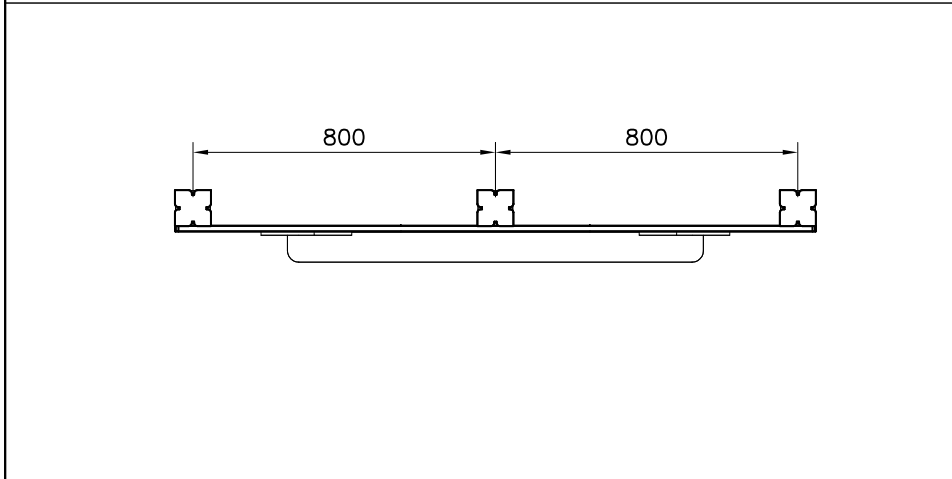
LAPPSET® FASTENER KIT

707754

DATE: 5.4.2016

1(1)

| | | | |
|----------------------|-----------|-------------------------|-----------|
| ① 905071 113x40x3 | PCS 4 | ② 909256 Ø16/8.4x1.6 | PCS 20 |
| ③ 909633 M8 | PCS 10 | ④ 909852 M8x30 | PCS 4 |
| ⑤ 909855 M8x35 | PCS 6 | ⑥ 980123 Ø7x60 | PCS 8 |
| | PCS | | PCS |



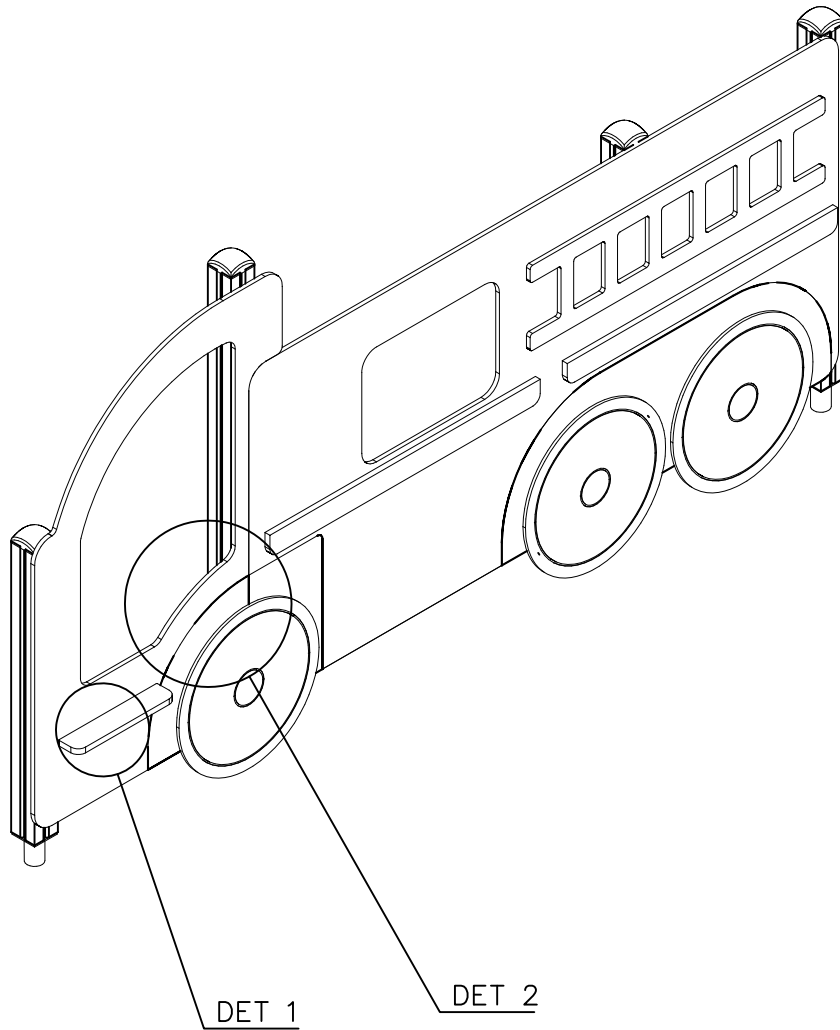
LAPPSET® FASTENER KIT

707755

DATE: 5.4.2016

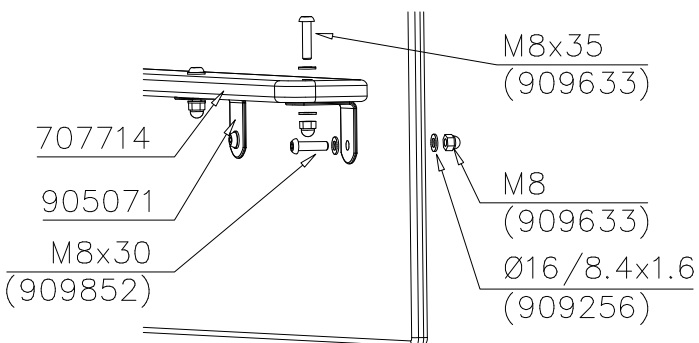
1(1)

(Example product 137915)

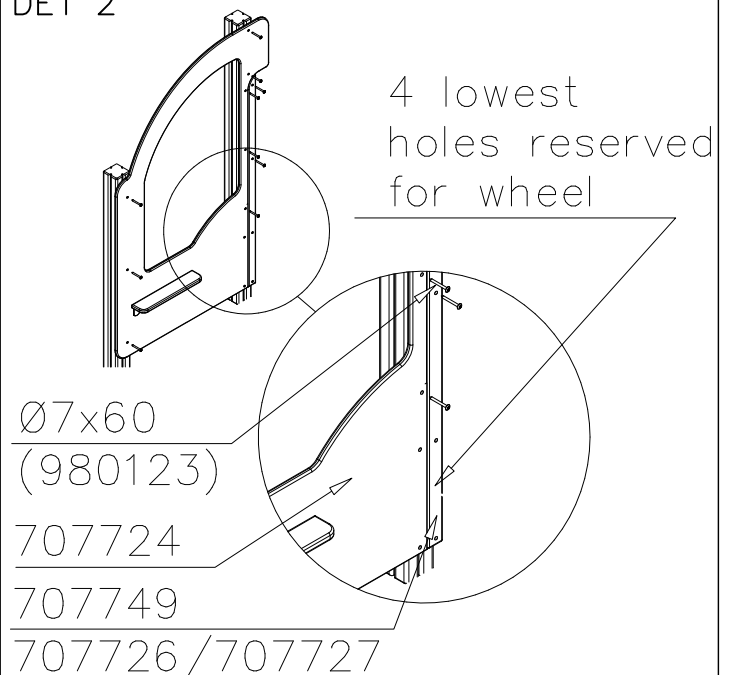


| | | | |
|--------------------------|----------|-----------------------------|-----------|
| ① 905071 113x40x3 | PCS 3 | ② 909256 Ø16/8.4x1.6 | PCS 12 |
| ③ 909633 M8 | PCS 6 | ④ 909852 M8x30 | PCS 3 |
| ⑤ 909855 M8x35 | PCS 3 | ⑥ 980123 Ø7x60 | PCS 10 |

DET 1



DET 2



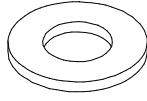
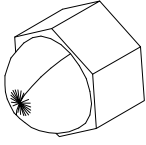
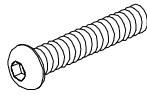

LAPPSET® FASTENER KIT

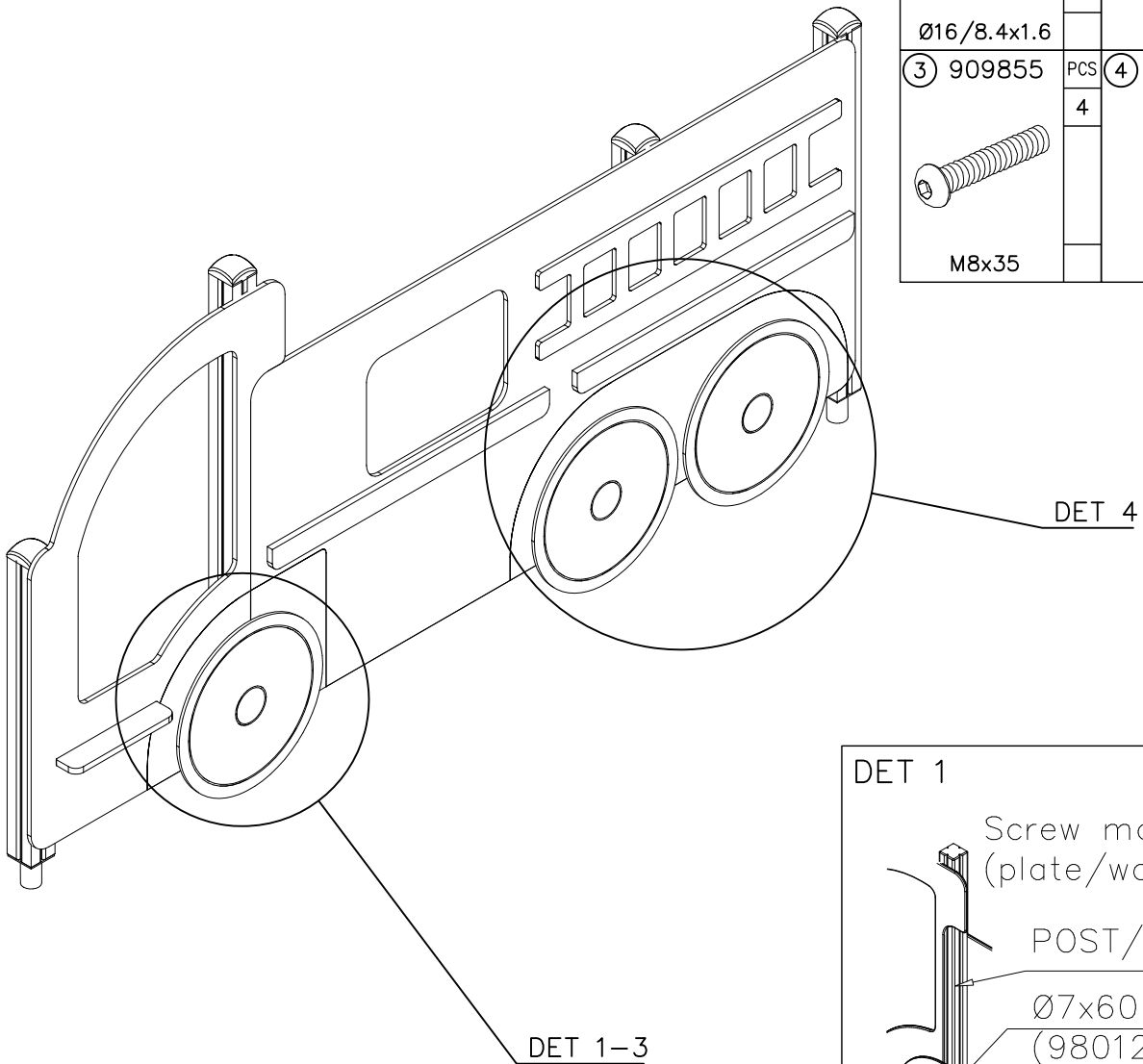
707762

DATE: 4.4.2016

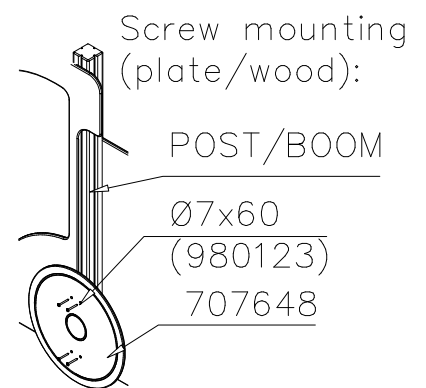
1(1)

(Example product 137915)

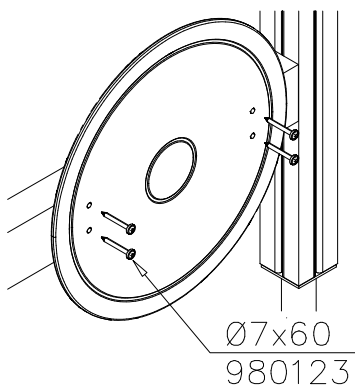
| | | | |
|---|-----|---|-----|
| ① 909256 | PCS | ② 909633 | PCS |
|  | 8 |  | 4 |
| Ø16/8.4x1.6 | | M8 | |
| ③ 909855 | PCS | ④ 980123 | PCS |
|  | 4 |  | 4 |
| M8x35 | | Ø7x60 | |



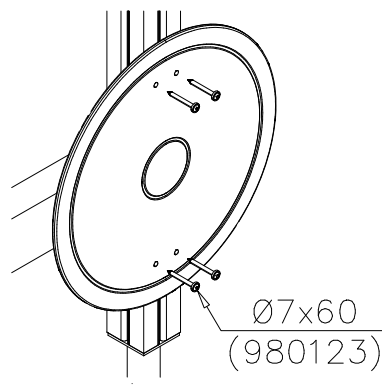
DET 1



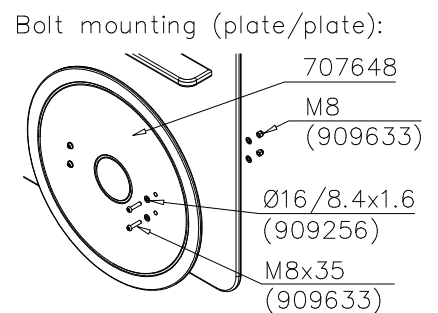
DET 2



DET 3



DET 4

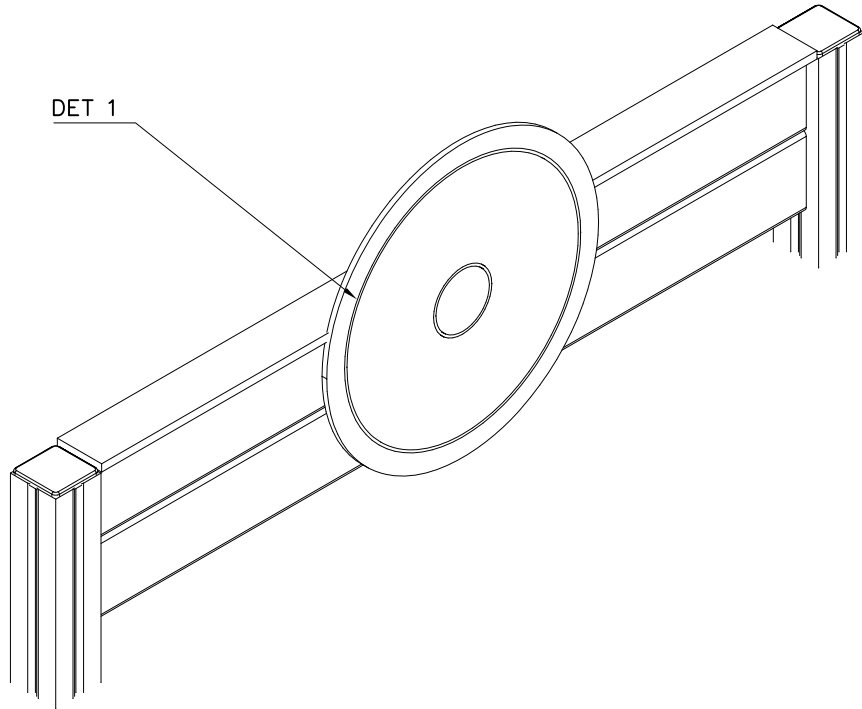


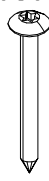
LAPPSET® FASTENER KIT

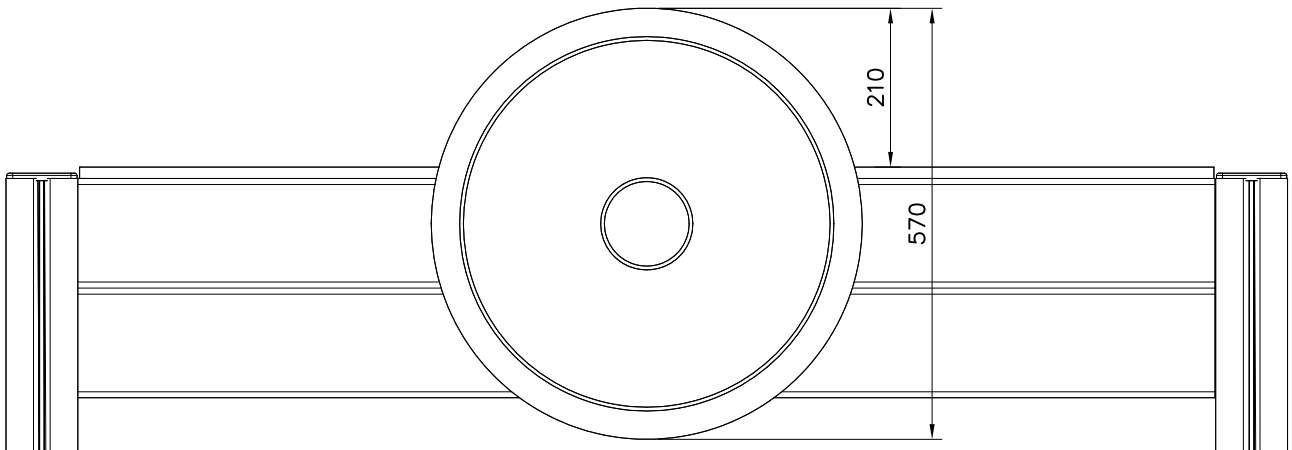
707764

DATE: 15.6.2016

1(1)

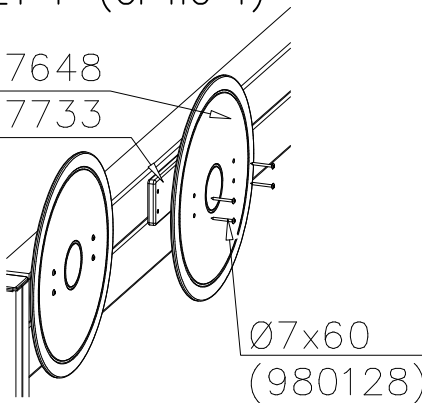


| | | |
|---|---|-----|
| ① | 980128 | PCS |
| |  | 4 |
| | Ø7x60 | |

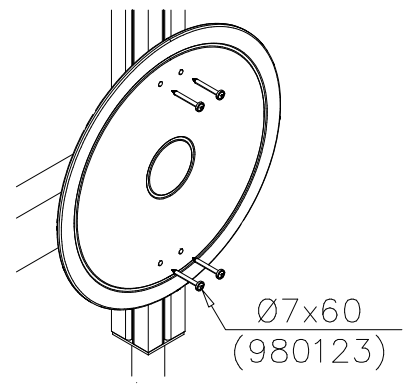
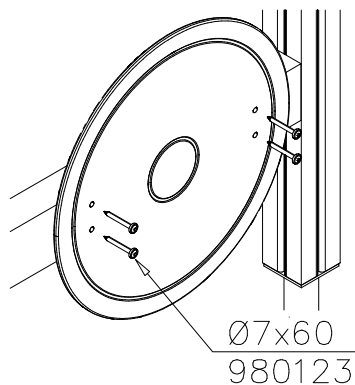


DET 1 (OPTIO 1)

707648
707733



(OPTIO 2) W/O BACK PLATE

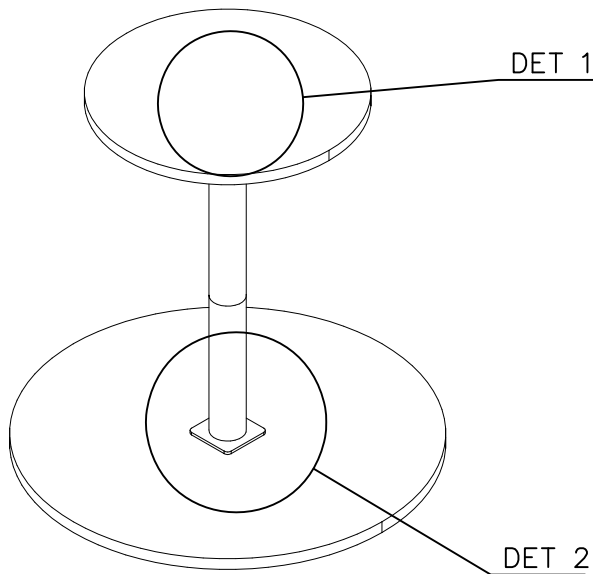


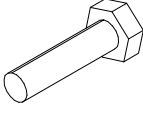
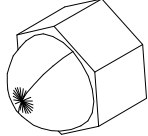
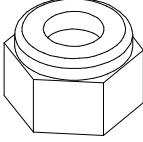
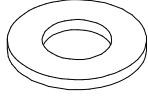
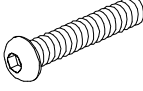
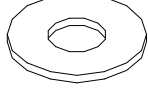
LAPPSET® FASTENER KIT

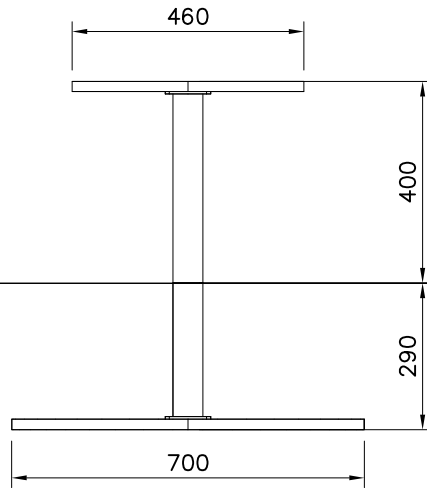
707787

DATE: 4.4.2016

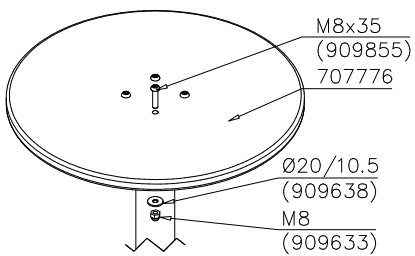
1(1)



| | | | |
|---|-----|---|-----|
| ① 906500 | PCS | ② 909633 | PCS |
|  | 4 |  | 4 |
| M10x40 | | M8 | |
| ③ 909637 | PCS | ④ 909638 | PCS |
|  | 4 |  | 8 |
| M10 | | Ø20/10.5 | |
| ⑤ 909855 | PCS | ⑥ 980152 | PCS |
|  | 4 |  | 4 |
| M8x35 | | Ø24/8.4x2 | |



DET 1



DET 2

