

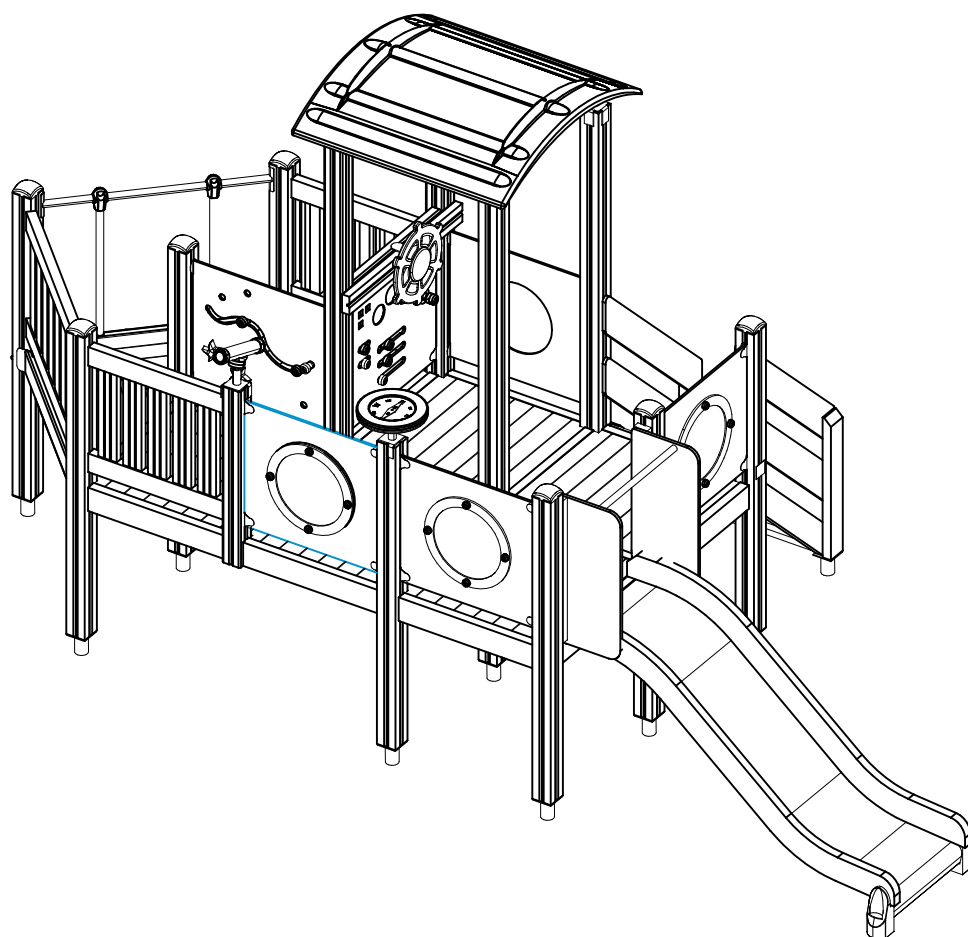
LAPPSET®

FINNO

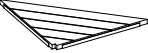


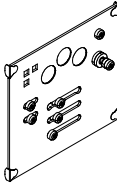

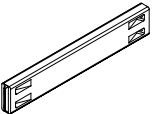

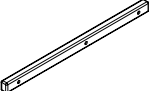
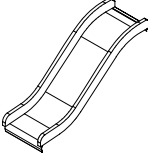

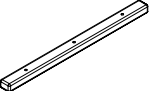
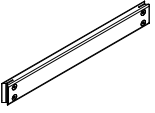
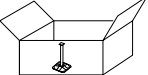
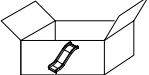
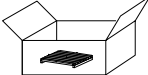
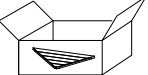
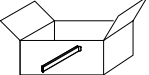

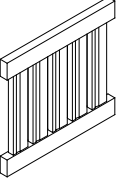
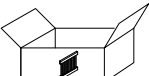
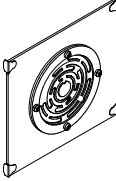
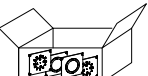
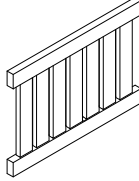

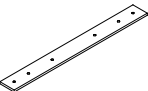

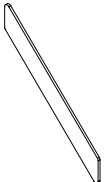


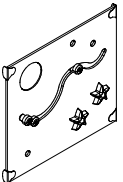
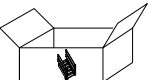
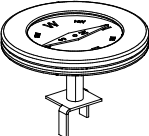
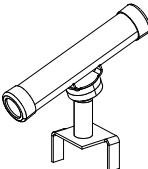
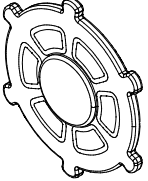

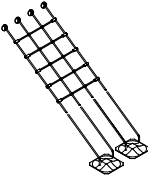
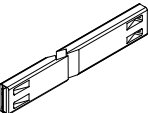
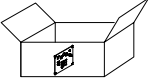
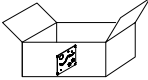
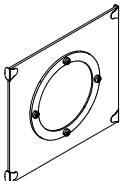
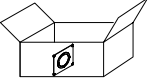
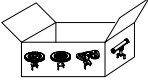
ASENNUSOHJE
MONTERINGSANSVISNING
INSTALLATION INSTRUCTION
AUFBAUANLEITUNG
NOTICE D'INSTALLATION

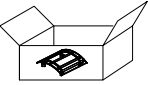
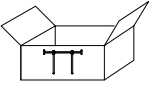
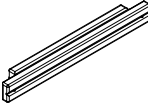

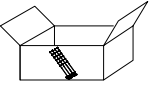
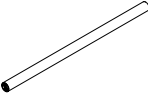

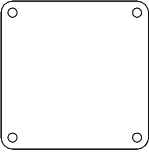
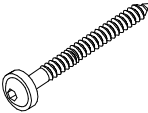
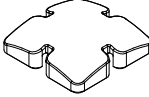
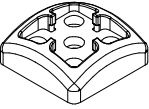
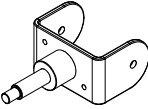
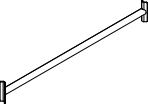
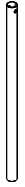
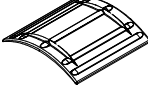
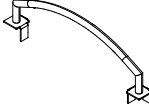
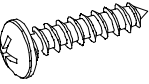

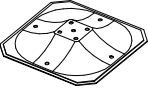
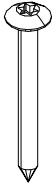
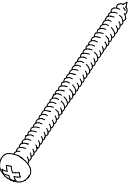
DATE: 18.3.2016

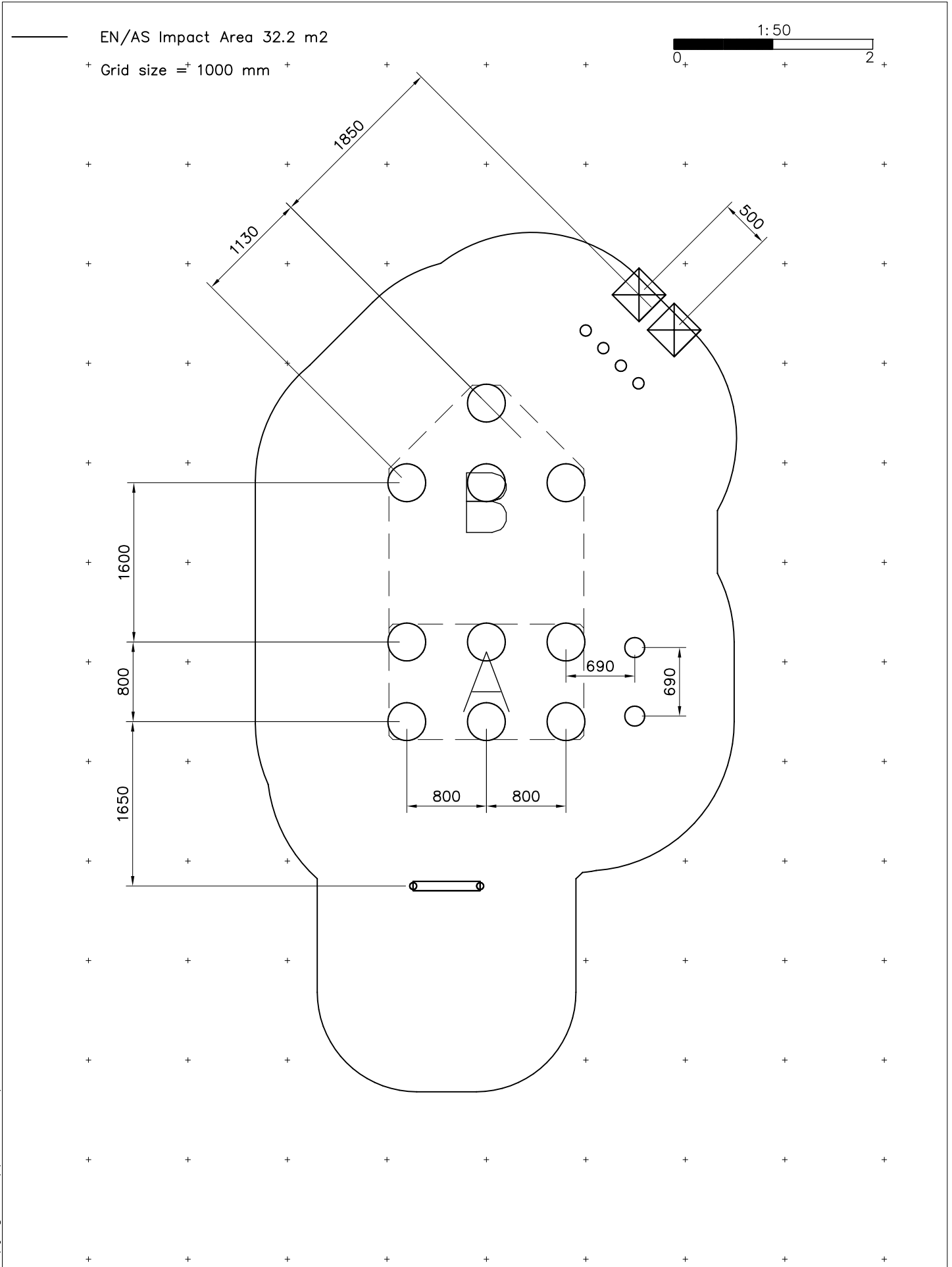
137820



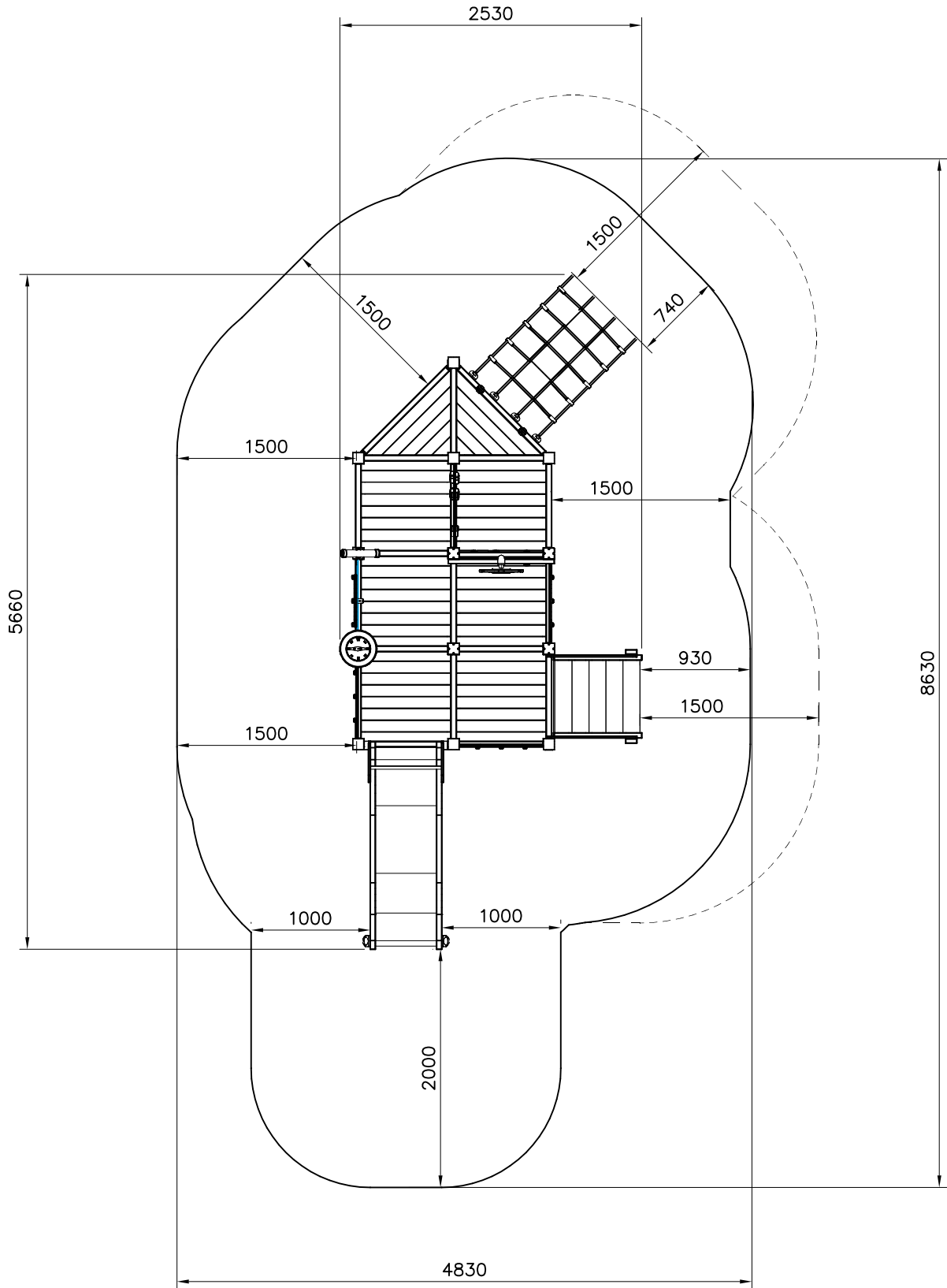
DATE: 18.3.2016

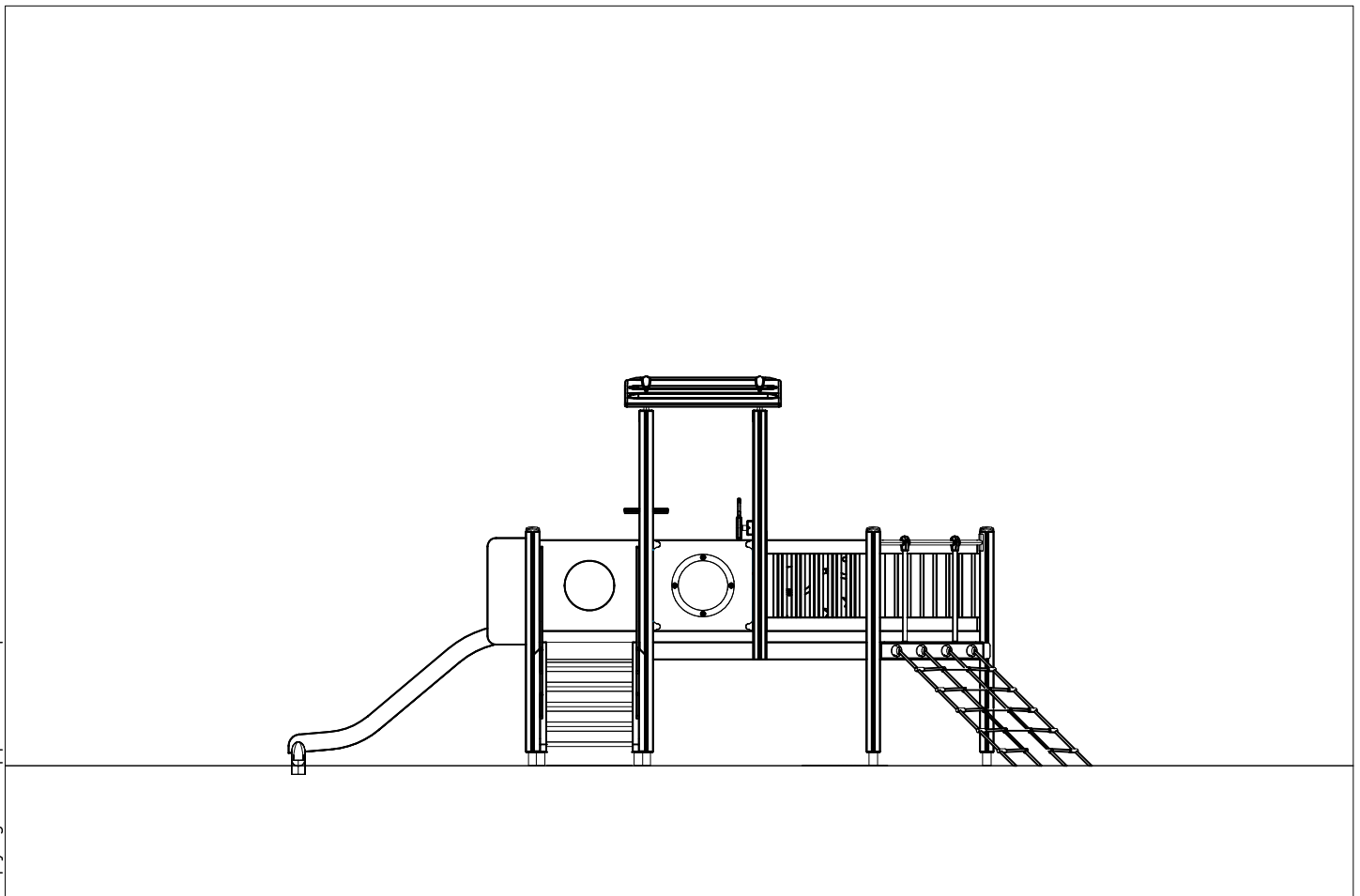
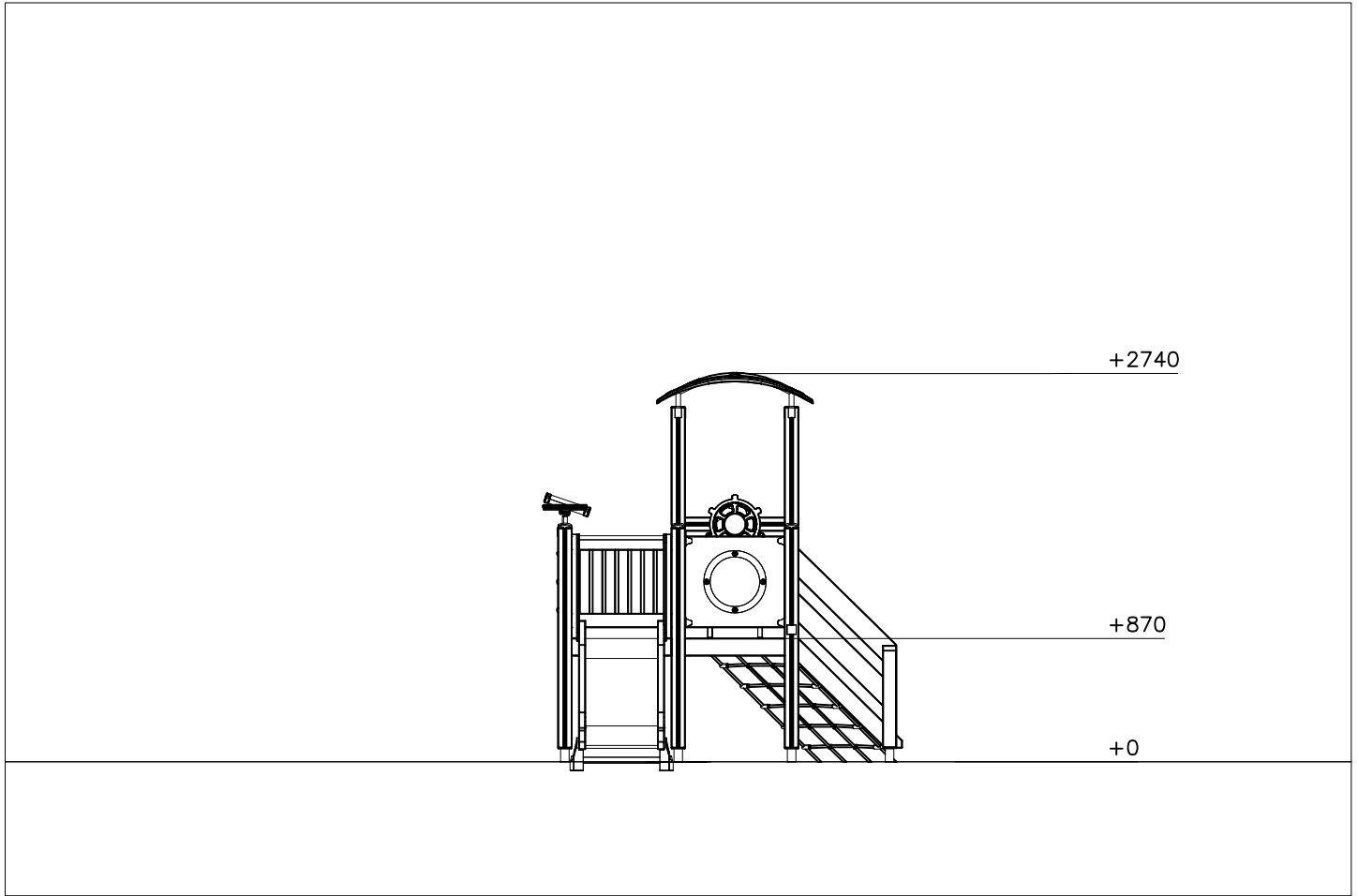
| | | | | | | | | | | | |
|---|-----------|---|-----------|--|----------|---|----------|---|----------|---|-----------|
| 008985  32x714x714 | PCS 2 | 008986  750x750 | PCS 6 | 702286  90x50 | PCS 1 | 705705-701  10x640x702 | PCS 1 | 706371-701  15x345x750 | PCS 2 | 706439-603  L 704 | PCS 12 |
| 706441-603  93x93x1550 | PCS 8 | 706443  32x45x702 | PCS 12 | 706452-603  600x780x1470 | PCS 1 | 706505  35x70x730 | PCS 2 | 706508  32x45x650 | PCS 6 | 706510-603  45x120x1030 | PCS 2 |
| 706531  93x93x2400 | PCS 12 | 706533  93x93x2400 | PCS 1 | 706535  93x93x2400 | PCS 6 | 706537  93x93x2400 | PCS 2 | 706538  93x93x2400 | PCS 2 | 706669-603  93x93x2400 | PCS 2 |
| 706746-608  45x640x701 | PCS 2 | 706748  45x640x701 | PCS 2 | 706766-701  45x640x701 | PCS 1 | 706778  45x640x701 | PCS 1 | 706997-608  45x640x984 | PCS 1 | 706999  45x640x984 | PCS 1 |
| 707133  10x80x745 | PCS 1 | 707145-603  43x93x717 | PCS 2 | 707146-701  15x145x1153 | PCS 4 | 707154-603  93x93x900 | PCS 1 | 707191-603  +870 | PCS 1 | 707209-701  10x640x702 | PCS 1 |
| 707224  10x640x702 | PCS 1 | 707303-701  10x640x702 | PCS 1 | 707304  10x640x702 | PCS 1 | 707320-702  10x640x702 | PCS 1 | 707333  10x640x702 | PCS 1 | 707351-305  10x640x702 | PCS 1 |
| 707374-603  L 1504 | PCS 3 | 707449  10x640x702 | PCS 1 | 707450  10x640x702 | PCS 1 | 707453-701  10x640x702 | PCS 3 | 707454  10x640x702 | PCS 3 | 707585  10x640x702 | PCS 2 |

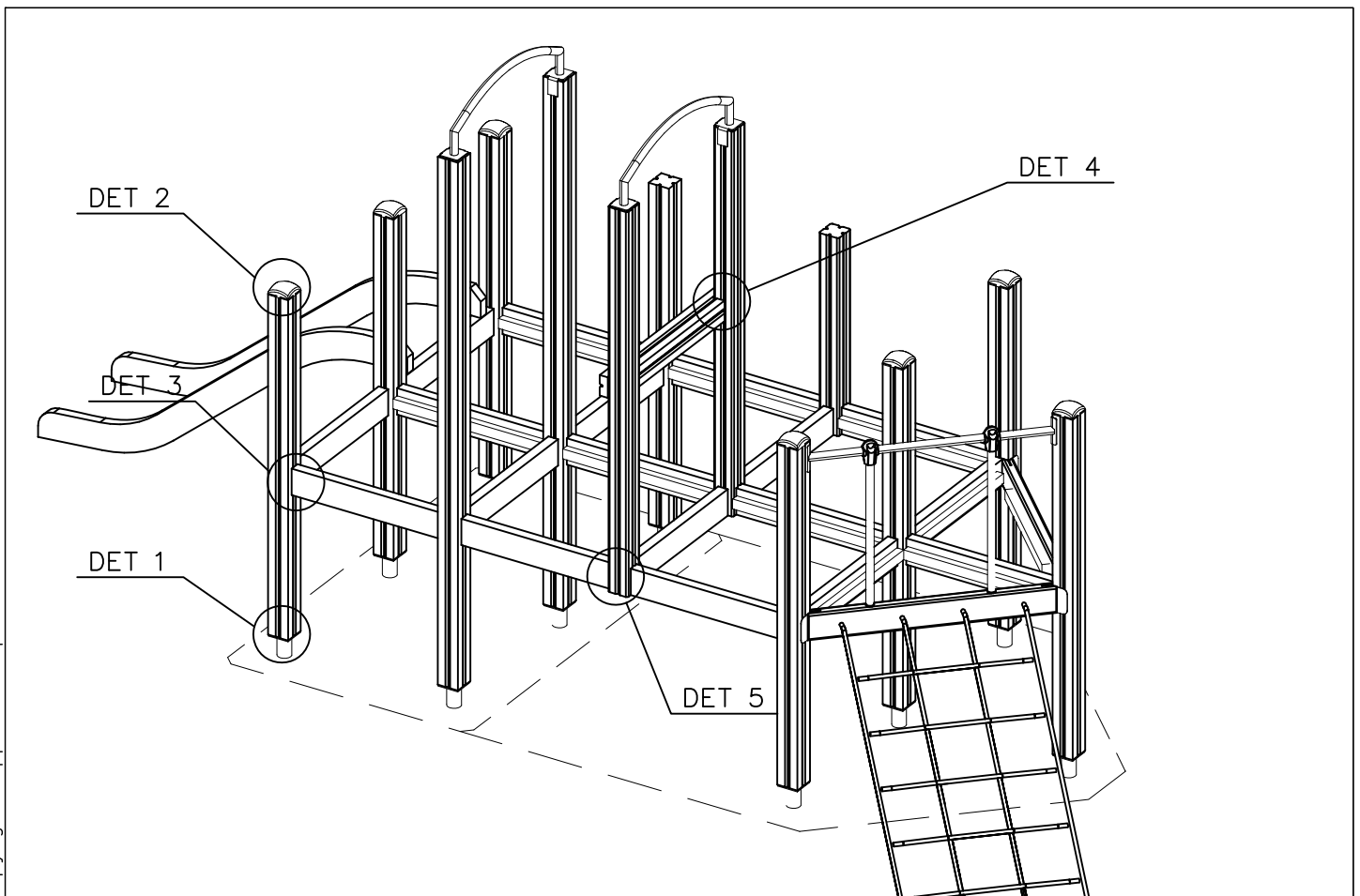
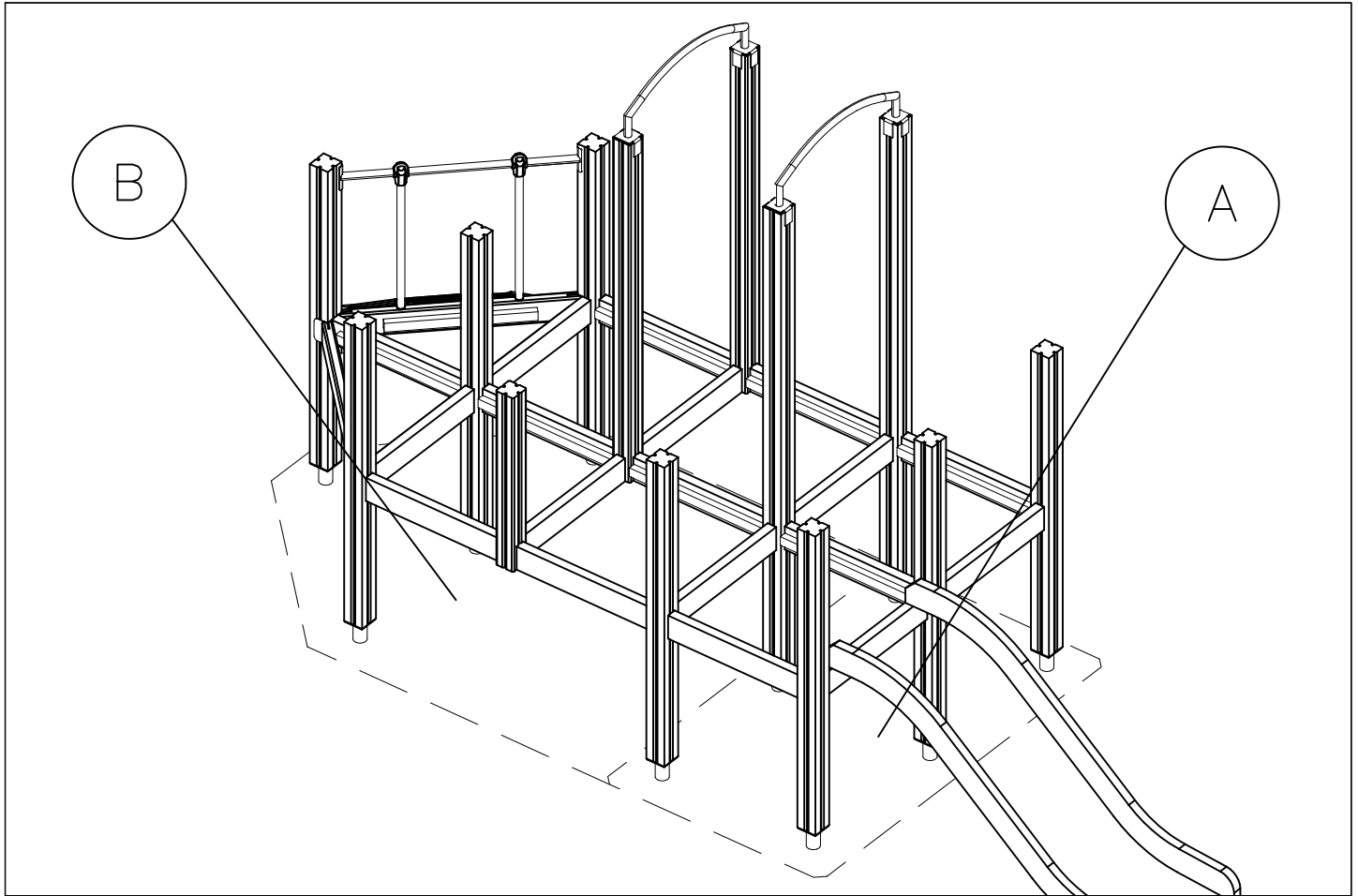
| | | | | | | | | | | | |
|---|-----------|---|-----------|---|-----------|---|----------|---|----------|---|-----------|
| 707623 | PCS 1 | 707625 | PCS 1 | 707626-603 | PCS 1 | 707631-603 | PCS 2 | 707864 | PCS 1 | 901868 | PCS 3 |
|  | |  | |  | |  | |  | |  | |
| | | | | L 890 | | 93x93x1750 | | | | Ø34x598 | |
| 901879 | PCS 2 | 902487 | PCS 1 | 903093 | PCS 62 | 905138 | PCS 7 | 905196 | PCS 7 | 905879 | PCS 1 |
|  | |  | |  | |  | |  | |  | |
| | | 65x65 | | 8x90 | | GRAY | | GRAY | | | |
| 907920-216 | PCS 1 | 908044-216 | PCS 2 | 908251 | PCS 1 | 908330-216 | PCS 2 | 909506 | PCS 4 | 909511 | PCS 12 |
|  | |  | |  | |  | |  | |  | |
| 120x40x1029 | | Ø33,7x679 | | 1100x1100x215 | | | | Ø3.5x13 | | 90x90x650 | |
| 909519 | PCS 14 | 980128 | PCS 12 | 980131 | PCS 28 | | | | | | |
|  | |  | |  | | | | | | | |
| 50x380x380 | | Ø7x40 | | Ø6x60 | | | | | | | |
| | PCS | | PCS | | PCS | | PCS | | PCS | | PCS |
| | | | | | | | | | | | |
| | PCS | | PCS | | PCS | | PCS | | PCS | | PCS |
| | | | | | | | | | | | |

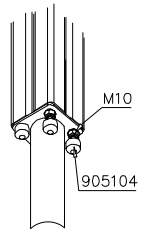
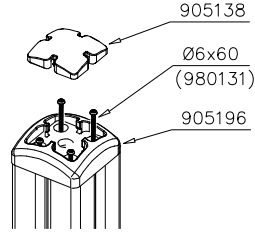
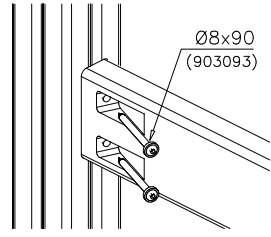
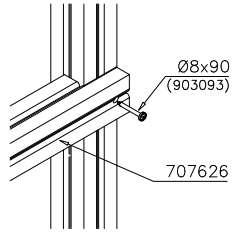
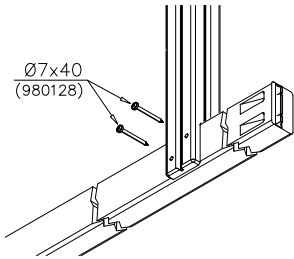


- EN/AS Impact Area 32.2 m²
- Falling Space 37 m²
- Max Falling Height 1000 mm

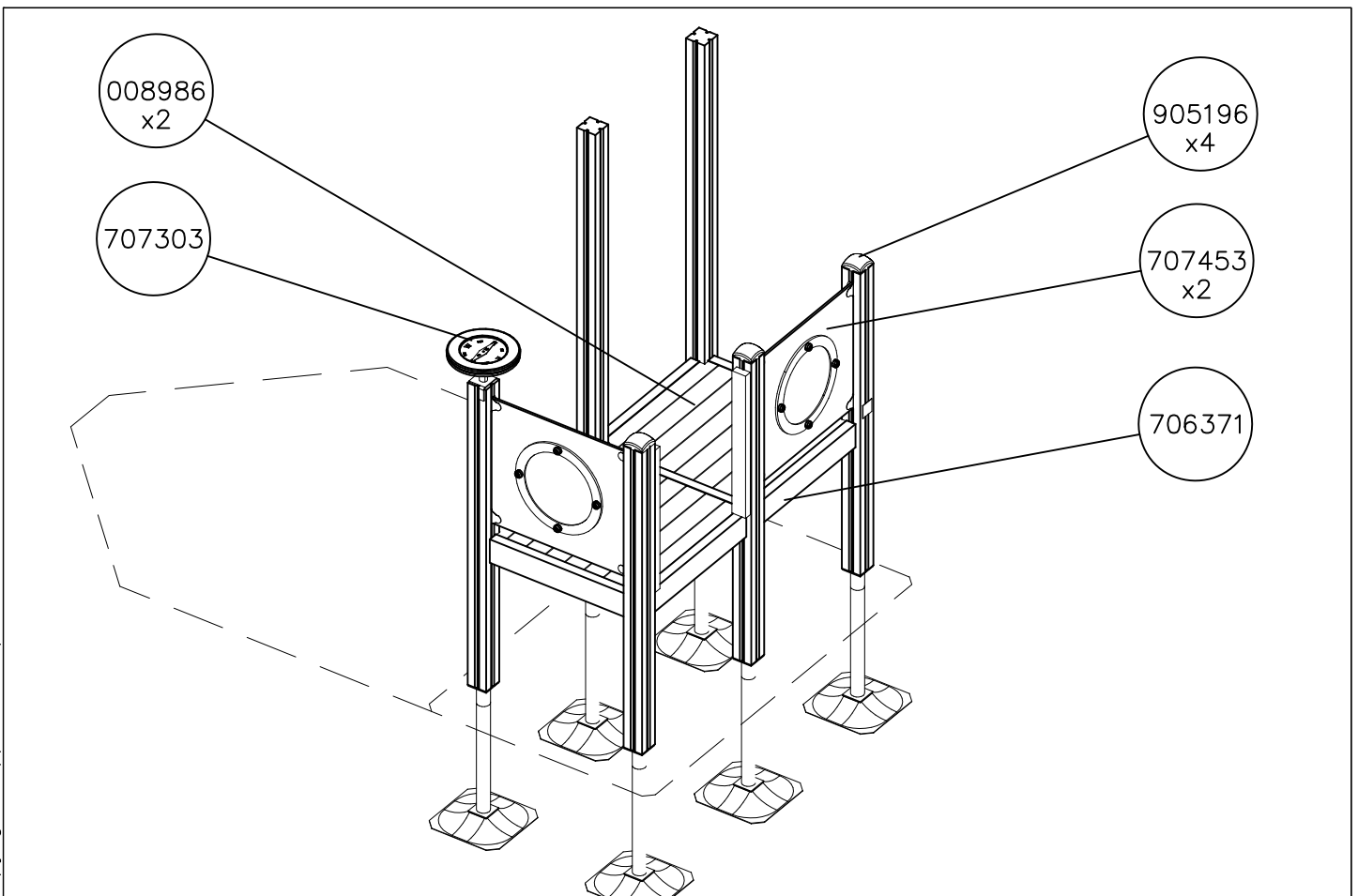
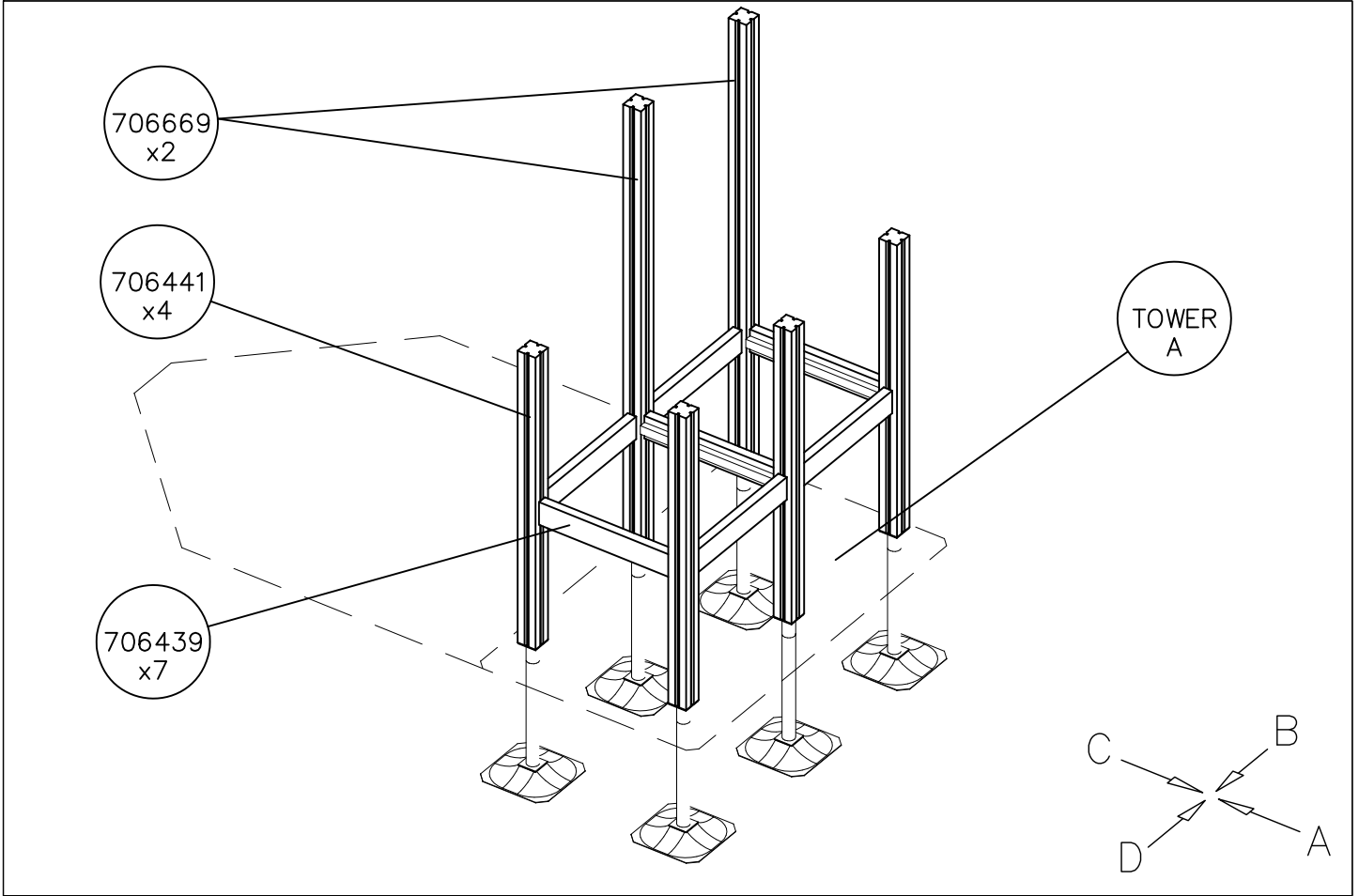






| | | | |
|--|--|---|--|
| <p>DET 1</p>  | <p>DET 2</p>  | <p>DET 3</p>  | <p>DET 4</p>  |
| <p>DET 5</p>  | | | |
| | | | |
| | | | |
| | | | |

DATE: 18.3.2016

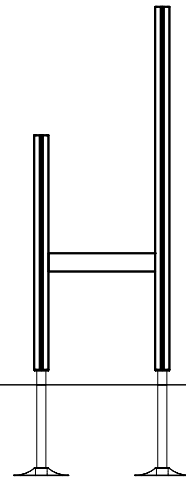
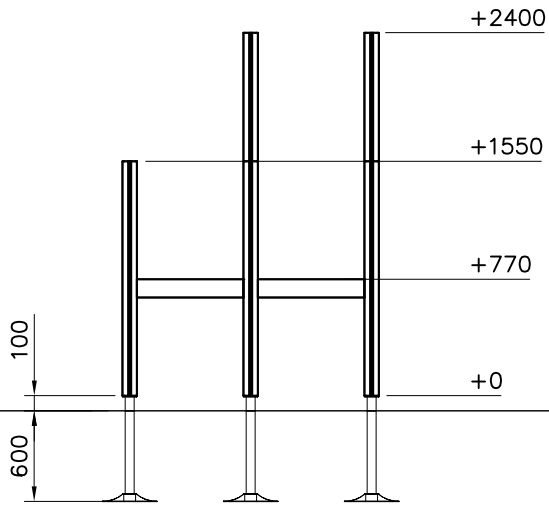


DATE: 18.3.2016

1:50

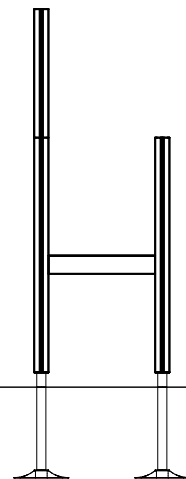
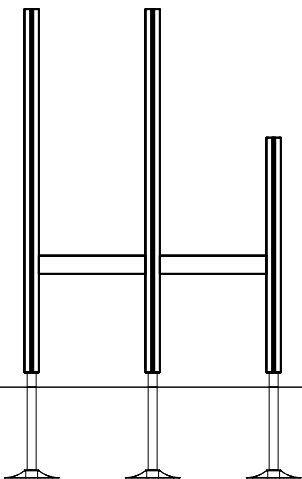
(A)

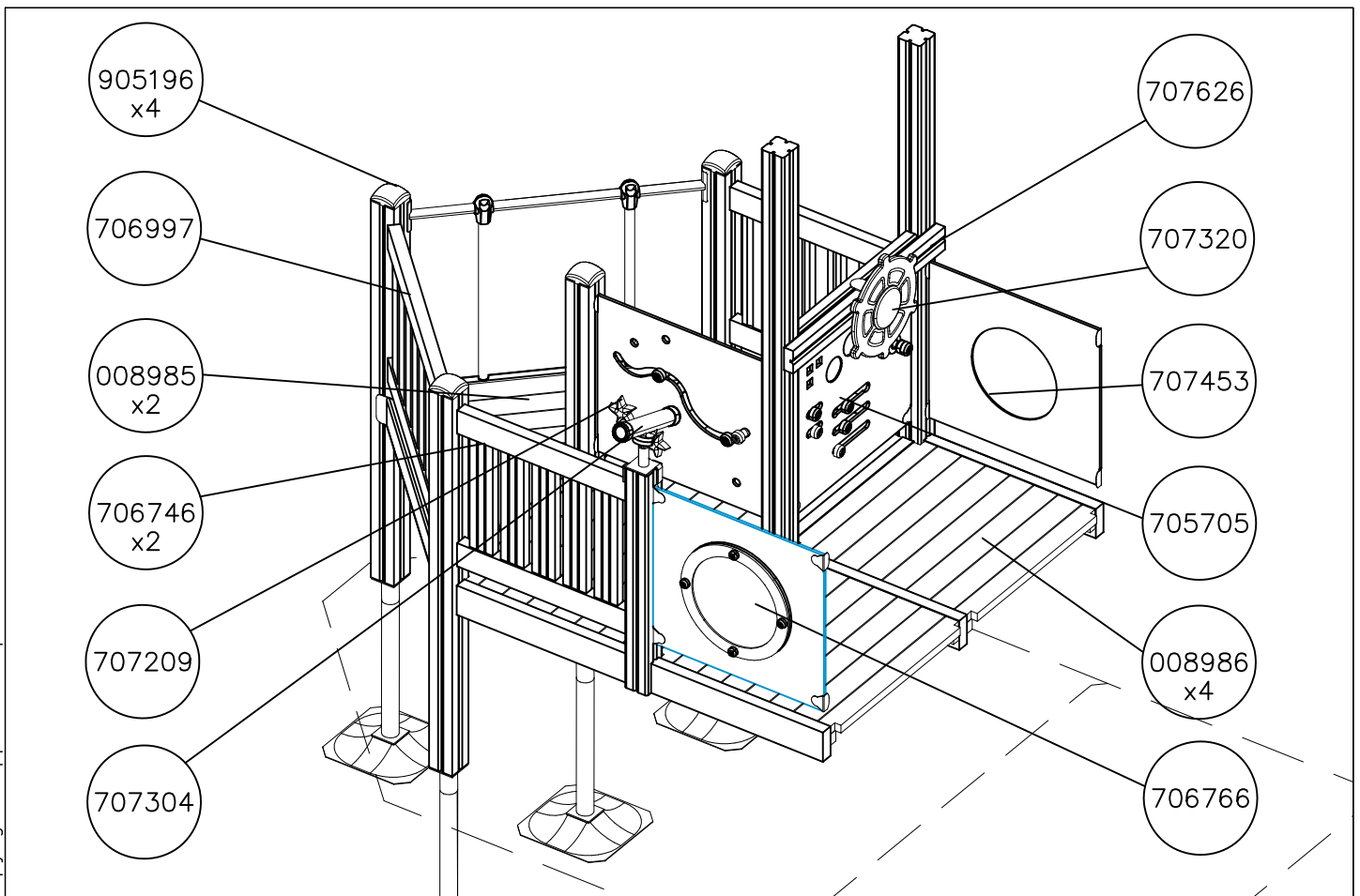
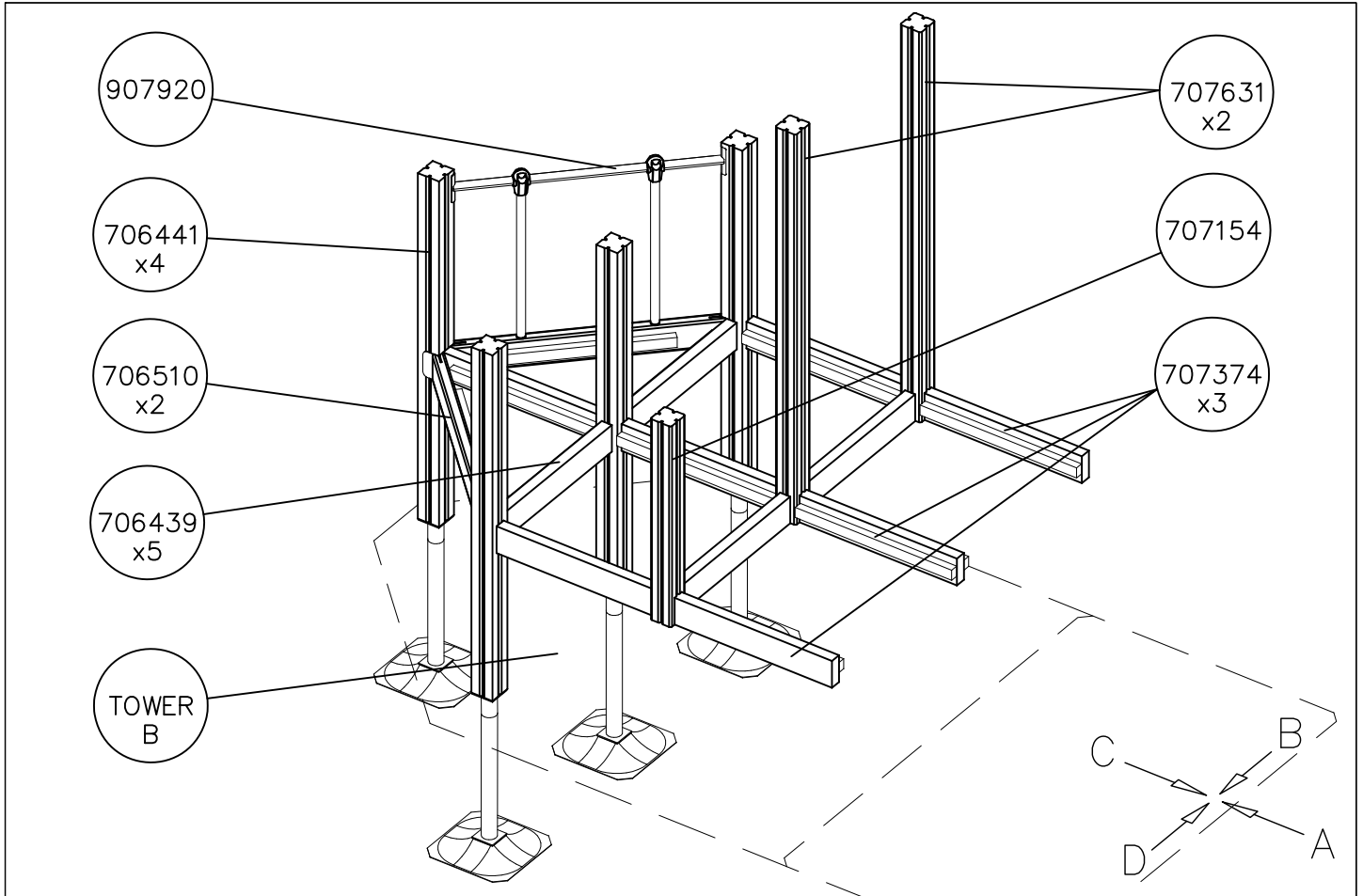
(B)



(C)

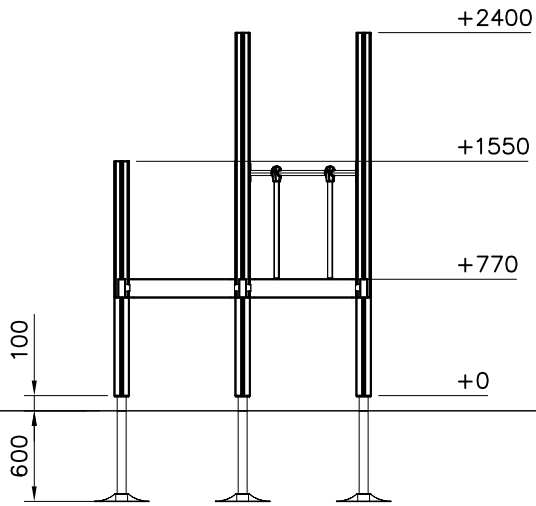
(D)



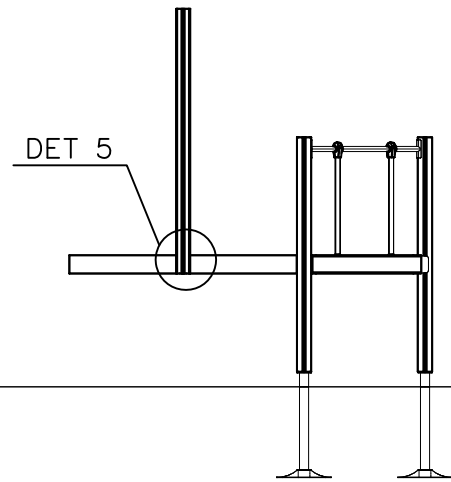


1:50

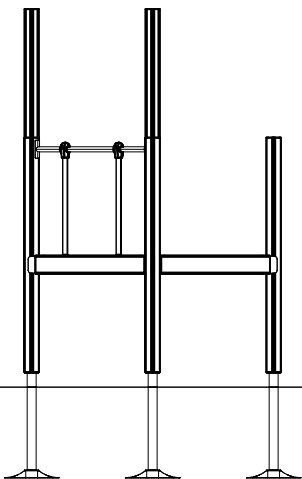
A



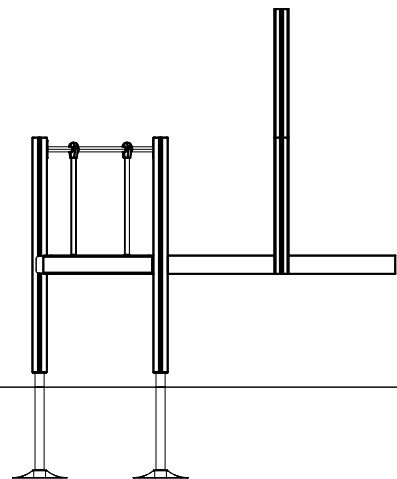
B

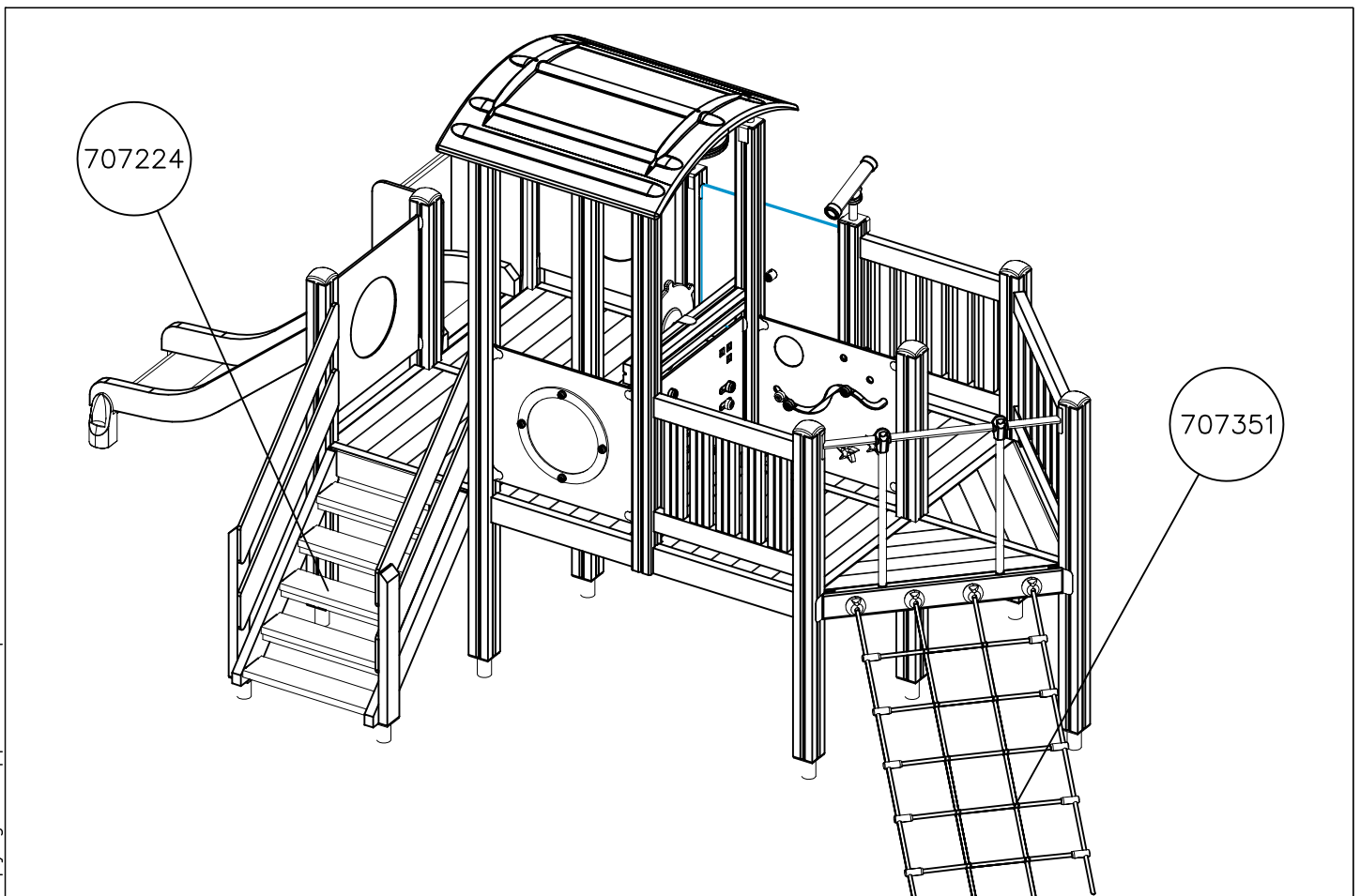
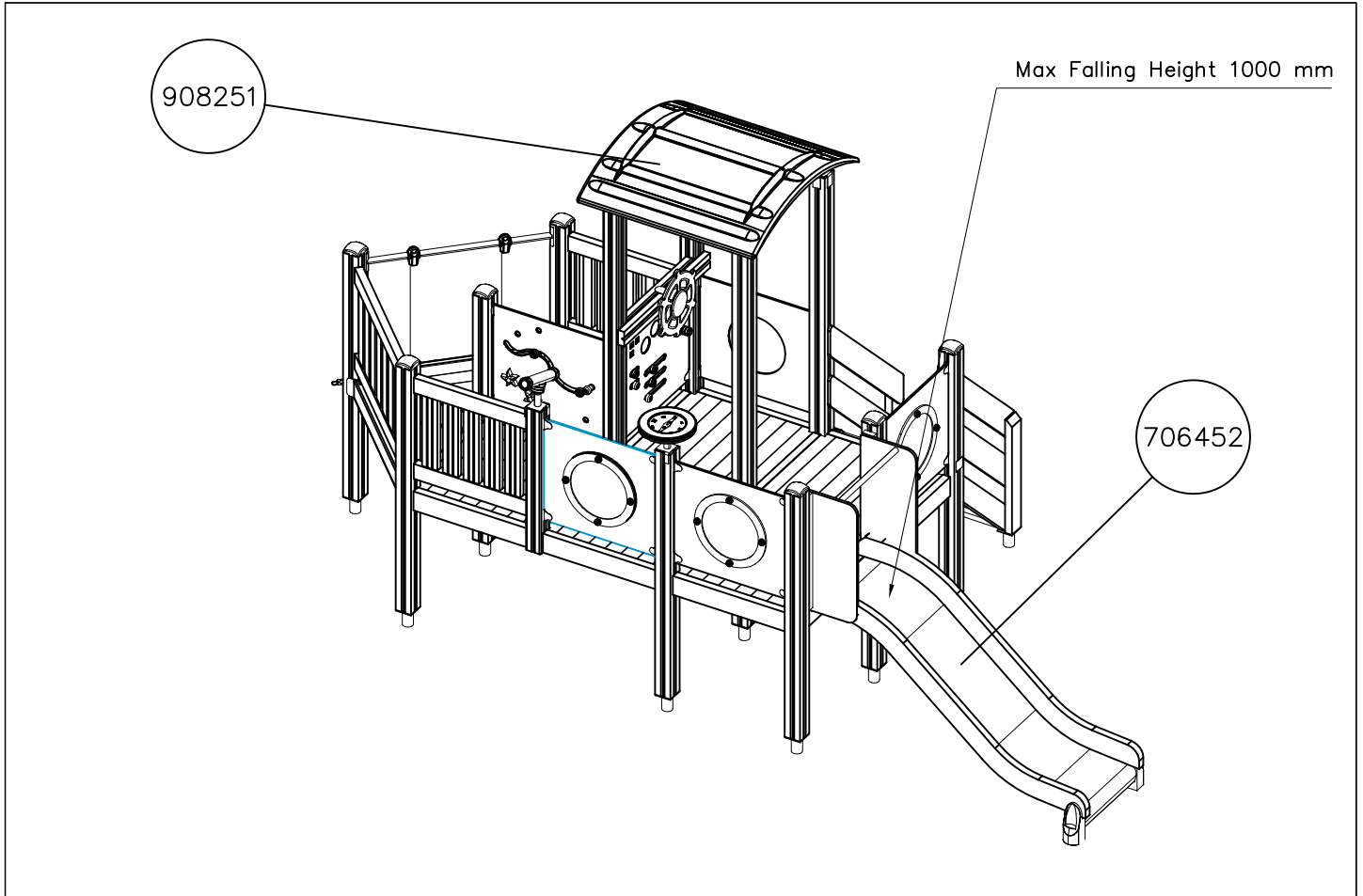


C



D







LAPPSET®
BETON FOUNDATION

FOOT

DATE: 27.10.2015

1(1)

| | | | |
|--|-----|--|-----|
| ② 905104 | PCS | | PCS |
| | 4 | | |
|  M10 | PCS | | PCS |
| | | | |



905104


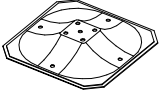
LAPPSET® DEEP FOUNDATION

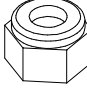

FOOT

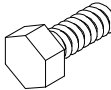
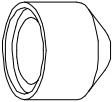
DATE: 15.5.2018

1(1)

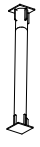


| | | | |
|---|-----|---|-----|
| ① 909511 | PCS | ② 909519 | PCS |
|  | 1 |  | 1 |
| 90x90x650 | | 50x380x380 | |

| | | | |
|---|-----|---|-----|
| ③ 909637 | PCS | ④ 909638 | PCS |
|  | 4 |  | 8 |
| M10 | | Ø20/10.5 | |

| | | | |
|---|-----|---|-----|
| ⑤ 909639 | PCS | ⑥ 905104 | PCS |
|  | 4 |  | 4 |
| M10x25 | | M10 | |

OPTION FOOT

| | | | |
|---|-----|--|-----|
| ① 911155 | PCS | | PCS |
|  | 1 | | |
| 90x90x650 | | | |

LAPPSET

DEEP FOUNDATION

SLIDE WOOD

DATE: 22.5.2015

1(1)





SLIDE OPTIONS

| | | |
|---|---|--|
| <p>706450 +1470</p>  | <p>706450-602 DARK BROWN 706450-603 LIGHT BROWN 706450-604 LIGHT GRAY</p> | |
| <p>706452 +870</p>  | <p>706452-602 DARK BROWN 706452-603 LIGHT BROWN 706452-604 LIGHT GRAY</p> | |

WALL OPTIONS

| | | |
|---|--|---|
| <p>706371</p>  | <p>706371-701 BLUE 706371-702 YELLOW 706371-703 LIME 706371-704 DRARK GRAY 706371-705 LIGHT GRAY 706371-706 RED</p> | <p>706371-707 GREEN 706371-708 FUXIA</p> |
|---|--|---|

| | | | | | | | | | | | |
|--|-----|---|-----|---|-----|---|-----|--|-----|---|-----|
| ○ SLIDE | PCS | ○ SLIDE | PCS | ○ 706371 | PCS | ○ 706505 | PCS | ○ 901868 | PCS | ① 903093 | PCS |
|  | 1 |  | 1 |  | 2 |  | 2 |  | 1 |  | 2 |
| +1470 | | +870 | | 15x345x750 | | 35x70x730 | | Ø34x598 | | Ø8x90 | |
| ② 909876 | PCS | ③ 980100 | PCS | ④ 980128 | PCS | ⑤ 999561 | PCS | | | | |
|  | 2 |  | 12 |  | 11 |  | 1 | | | | |
| M8x40 | | Ø5x60 | | Ø7x40 | | 10g | | | | | |





LAPPSET

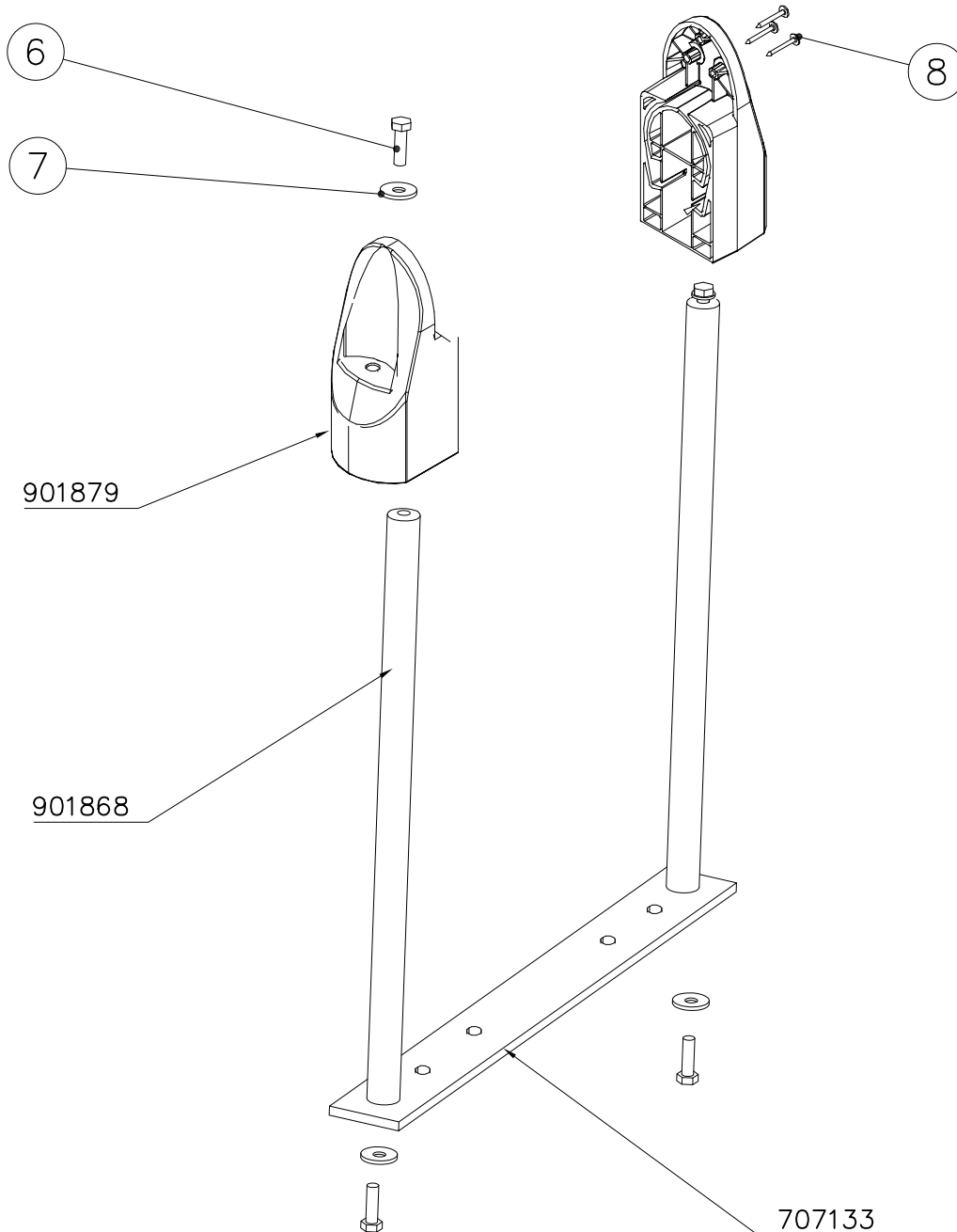
DEEP FOUNDATION

SLIDE WOOD

DATE: 3.11.2017

4(5)

| | | | | | | | | | | | |
|--|-----|---|-----|---|-----|---|-----|--|-----|---|-----|
| ○ 707133 | PCS | ○ 901868 | PCS | ○ 901879 | PCS | ⑥ 909210 | PCS | ⑦ 905051 | PCS | ⑧ 980128 | PCS |
|  | 1 |  | 2 |  | 2 |  | 4 |  | 4 |  | 6 |
| 10x80x745 | | Ø30x598 | | | | M8x40 | | Ø24/8.4 | | Ø7x40 | |



DET 6



Insert sheet metal IN to the plastic cover.

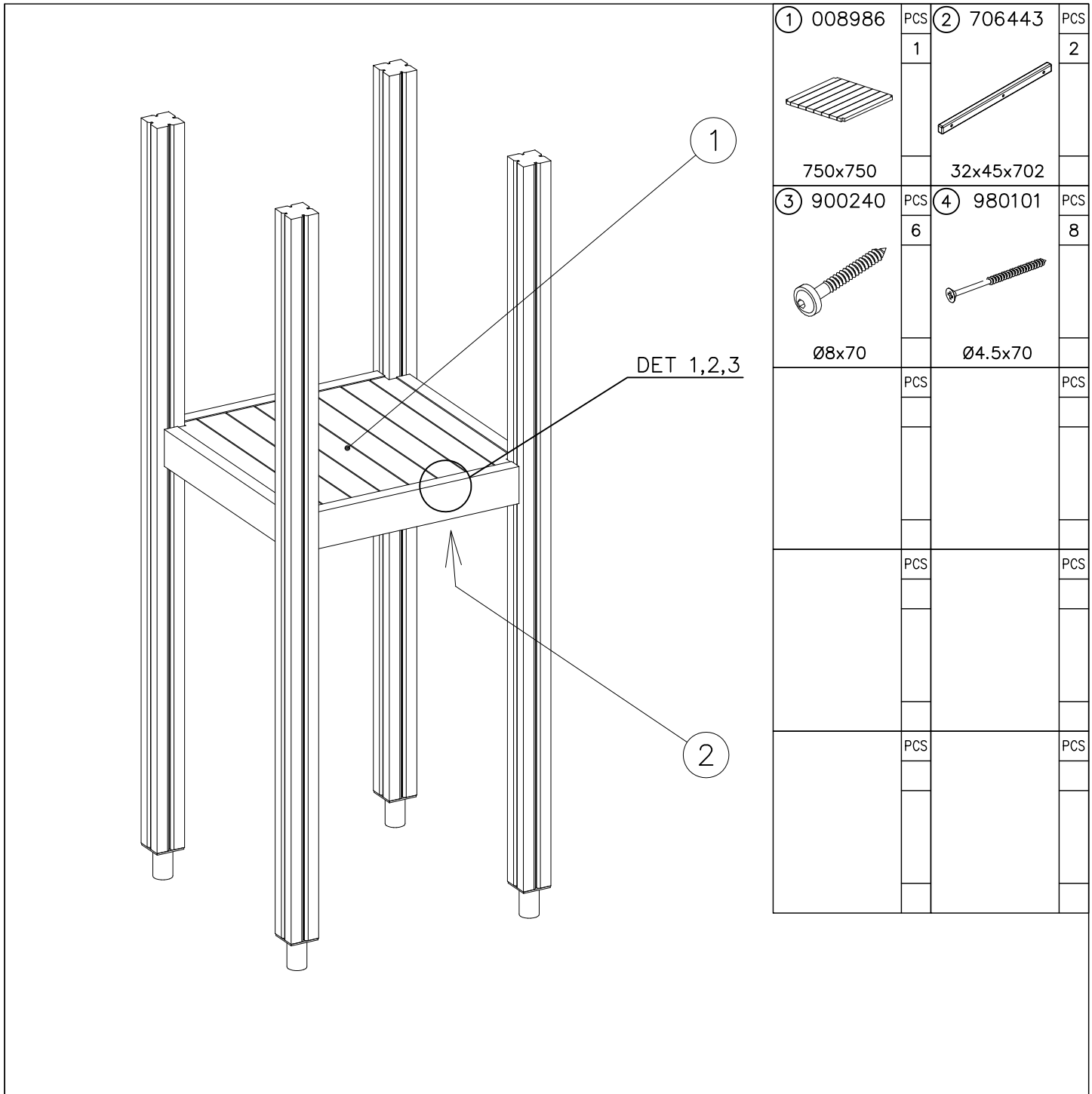


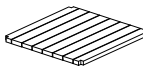
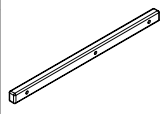
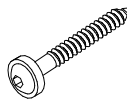

DET 7



DET 8





| | | | |
|---|-----|---|-----|
| ① 008986 | PCS | ② 706443 | PCS |
|  | 1 |  | 2 |
| 750x750 | | 32x45x702 | |
| ③ 900240 | PCS | ④ 980101 | PCS |
|  | 6 |  | 8 |
| Ø8x70 | | Ø4.5x70 | |
| | PCS | | PCS |
| | | | |
| | PCS | | PCS |
| | | | |
| | PCS | | PCS |
| | | | |

DET 1

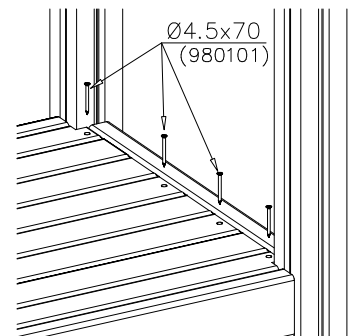


DET 2

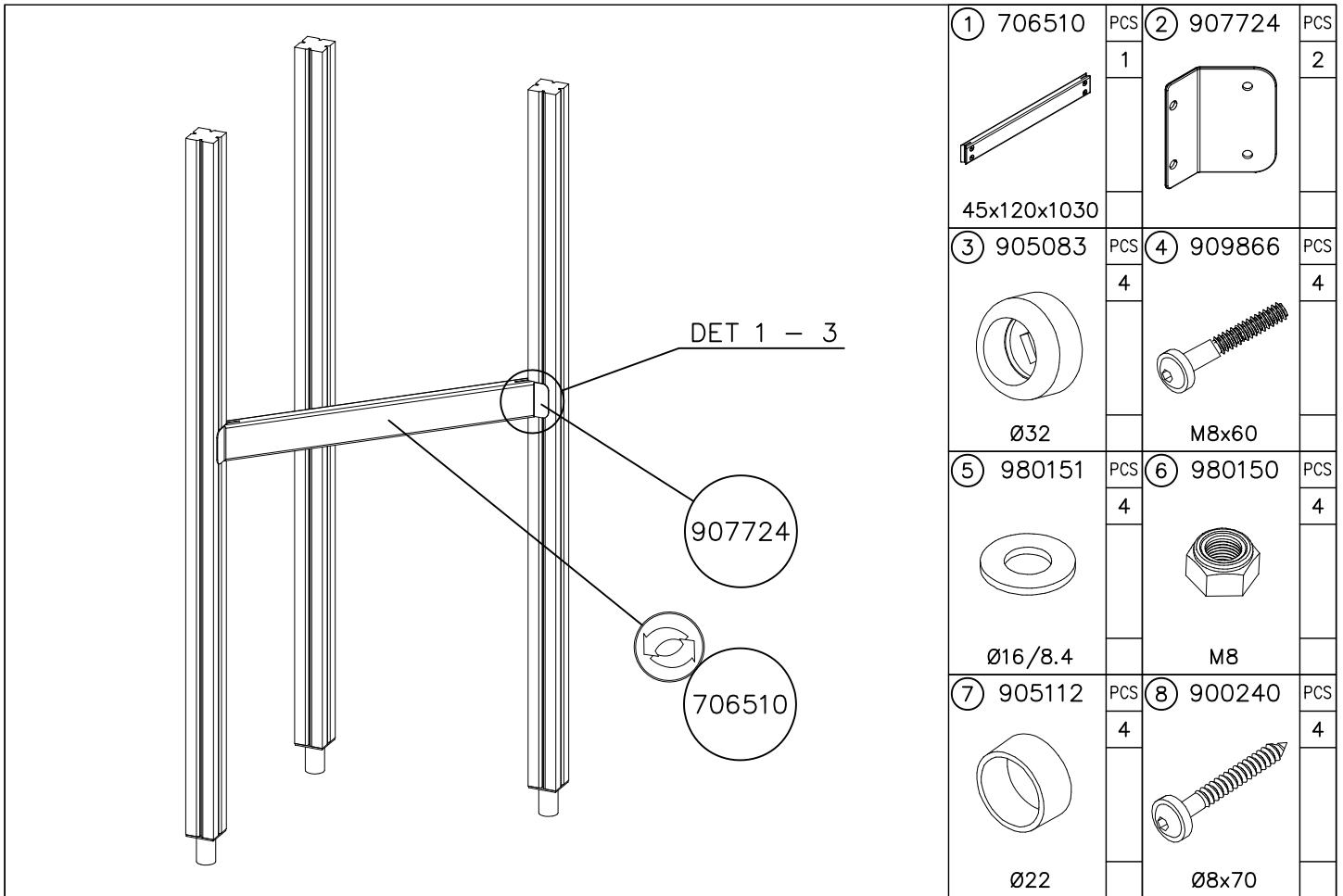
Naulanauha kannatinlistan puolelle.
Nail list to the bottom.

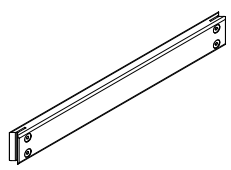


DET 3

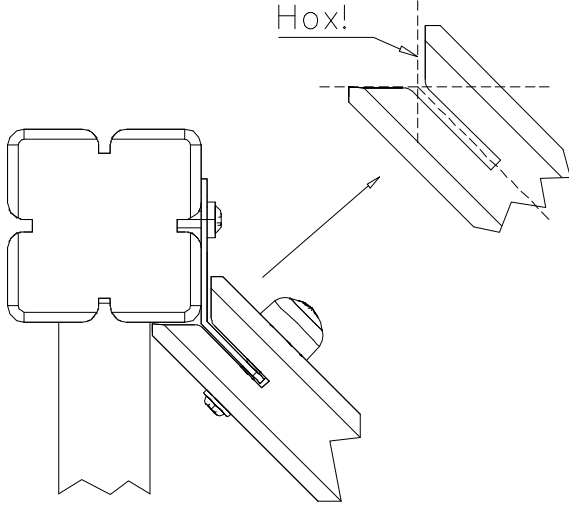




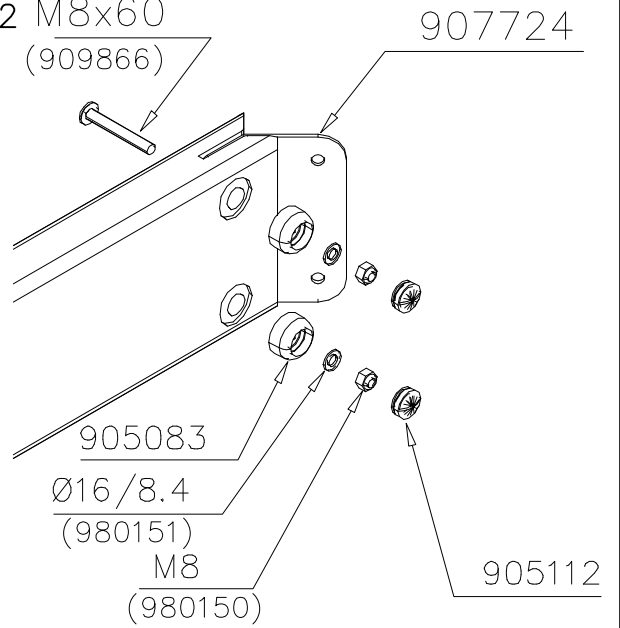


| BOOM OPTIONS | | |
|--|------------|-------------|
| 706510 | 706510-602 | DARK BROWN |
| | 706510-603 | LIGHT BROWN |
| | 706510-604 | LIGHT GRAY |
|  | | |
| 45x120x1030 | | |
| | | |
| | | |

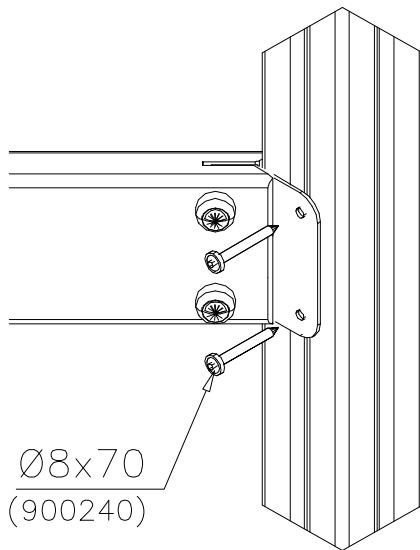
DET 1



DET 2 M8x60
(909866)



DET 3

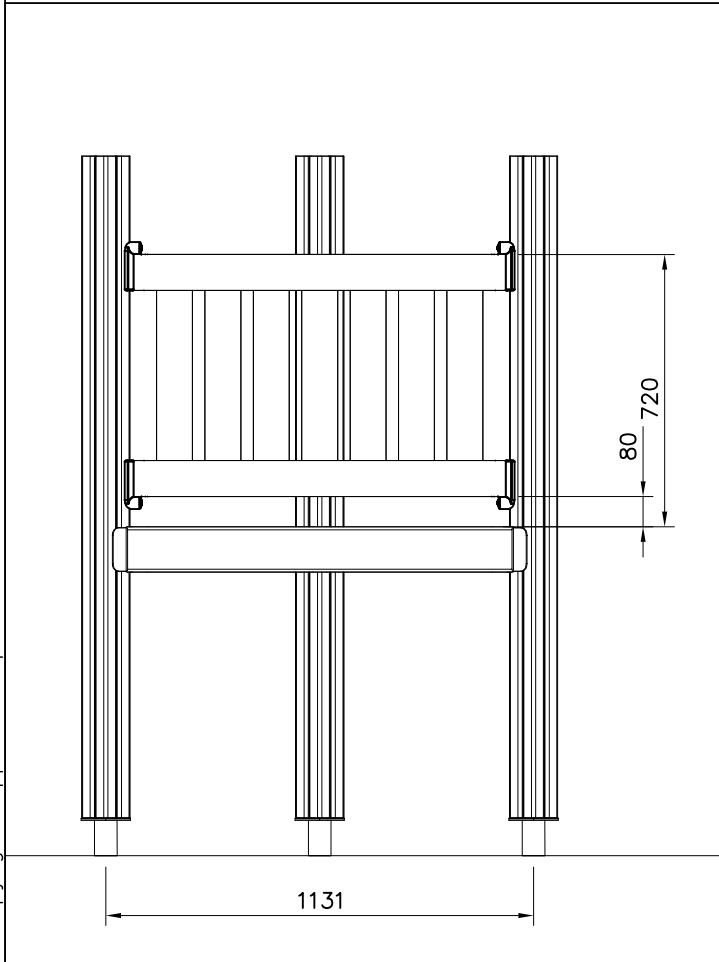
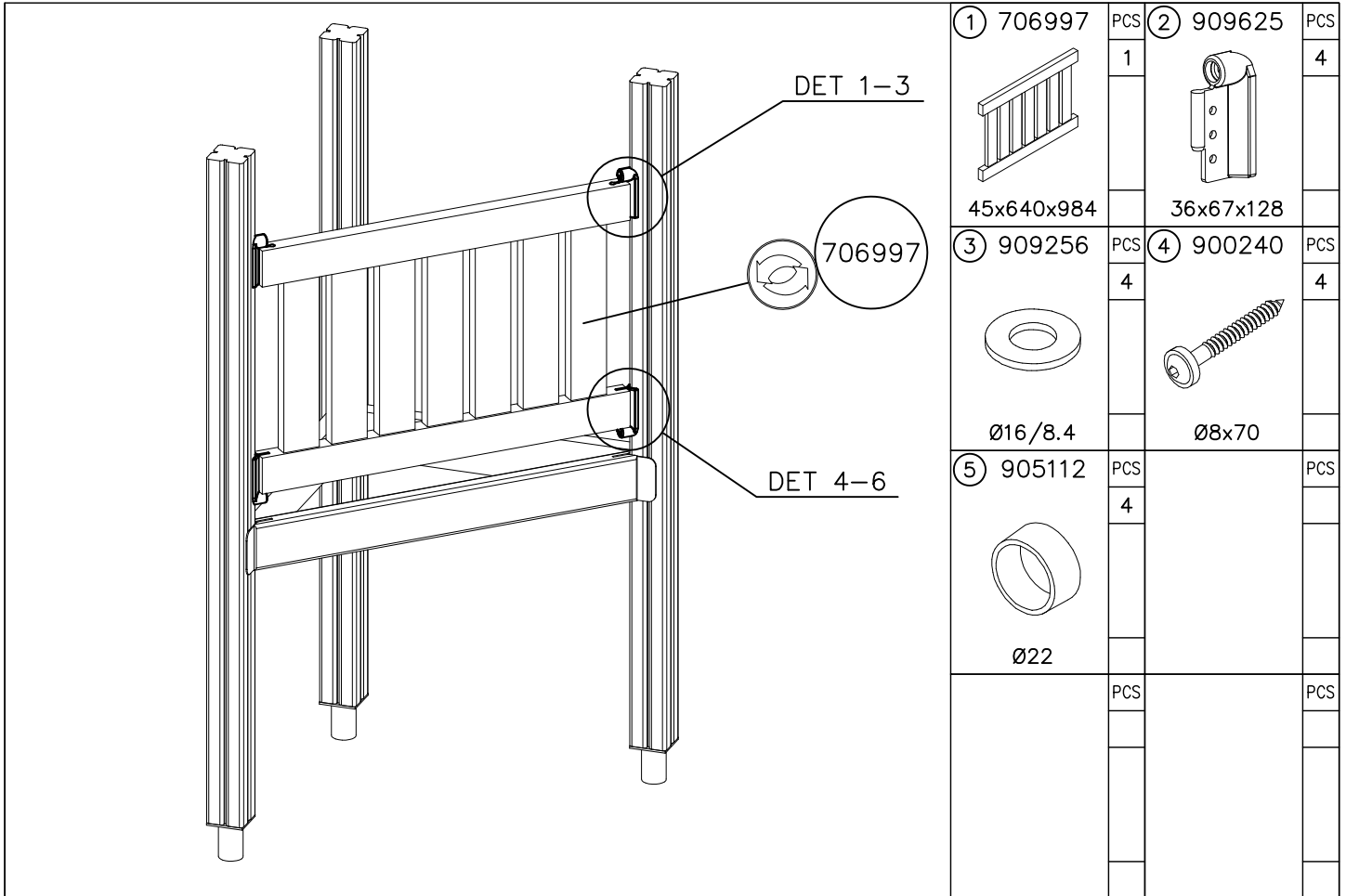


| | | | |
|------------|-----|-------------|-----|
| ① 706746 | PCS | ② 909530 | PCS |
| | 1 | | 4 |
| 45x640x701 | | 55.9x127.5 | |
| ③ 900240 | PCS | ④ 980151 | PCS |
| | 4 | | 4 |
| Ø8x70 | | Ø16/8.4x1.6 | |
| ⑤ 905112 | PCS | | PCS |
| | 4 | | |
| Ø22 | | | |
| | PCS | | PCS |

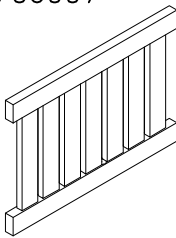


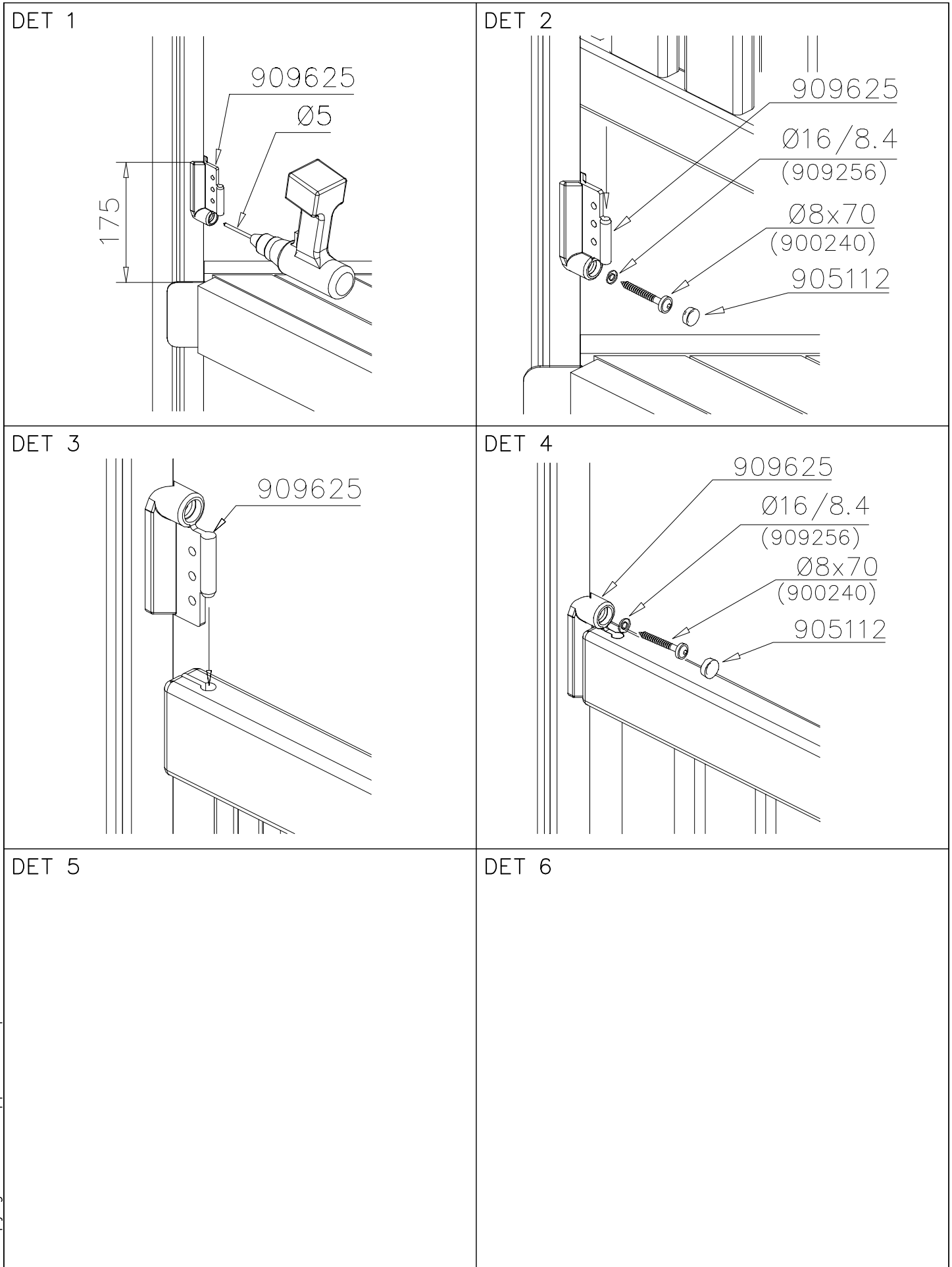
| WALL OPTIONS | | |
|--------------------------|------------|-----------|
| 706746 45x640x701 | 706746-605 | DARK GRAY |
| | 706746-606 | GRAY |
| | 706746-607 | RED |
| | 706746-608 | BLUE |
| | 706746-609 | GREEN |
| | 706746-610 | YELLOW |
| | 706746-611 | LIME |
| | 706746-612 | FUXIA |

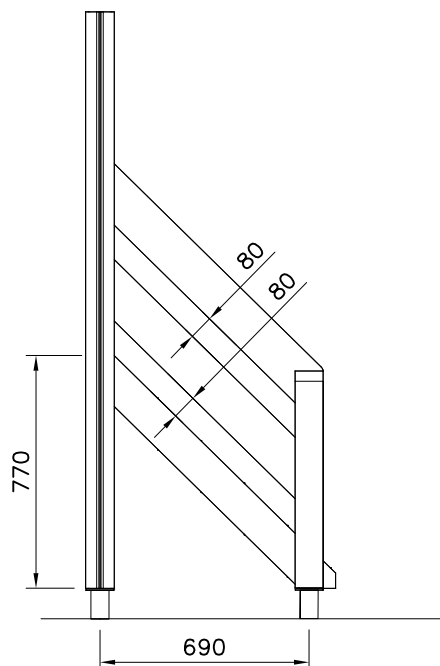
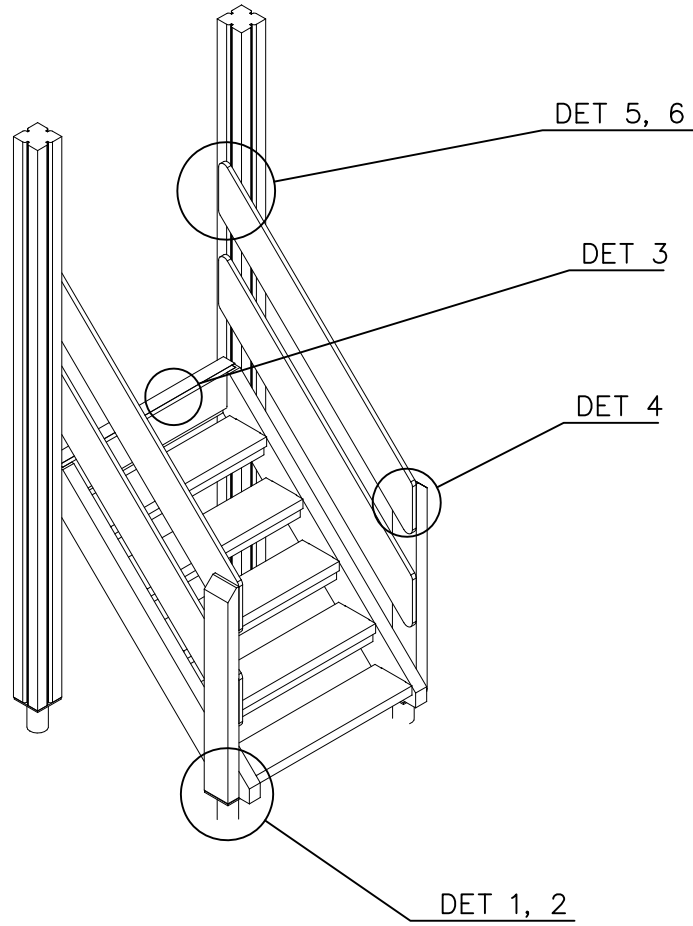
| | |
|---|--------------|
| <p>DET 1</p> <p>909530</p> <p>Ø16/8.4 (980151)</p> <p>Ø8x70 (900240)</p> <p>905112</p> <p>175</p> | <p>DET 2</p> |
| <p>DET 3</p> <p>Ø16/8.4 (980151)</p> <p>Ø8x70 (900240)</p> <p>905112</p> | |
| | |



WOODEN WALL OPTIONS

| | | |
|---|------------|-----------|
|  706997 45x640x984 | 706997-605 | DARK GRAY |
| | 706997-606 | GRAY |
| | 706997-607 | RED |
| | 706997-608 | BLUE |
| | 706997-609 | GREEN |
| | 706997-610 | YELLOW |
| | 706997-611 | LIME |
| | 706997-612 | FUXIA |
| | | |
| | | |
| | | |





DET 1



DET 2



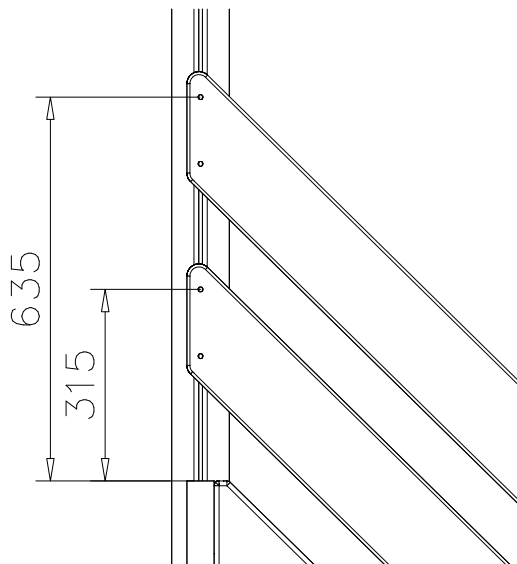
DET 3



DET 4



DET 5



DET 6





STAIRS OPTIONS +870

| | | |
|---|--|--|
| 707191  | 707191-602 DARK BROWN 707191-603 LIGHT BROWN 707191-604 LIGHT GRAY | |
|---|--|--|

RAILING OPTIONS




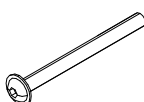

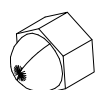
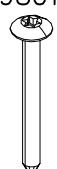


| | | |
|---|--|--------------------------------------|
| RAILS 707146  15x145x1153 | 707146-701 BLUE 707146-702 YELLOW 707146-703 LIME 707146-704 DARK GRAY 707146-705 LIGHT GRAY 707146-706 RED | 707146-707 GREEN 707146-708 FUXIA |
|---|--|--------------------------------------|

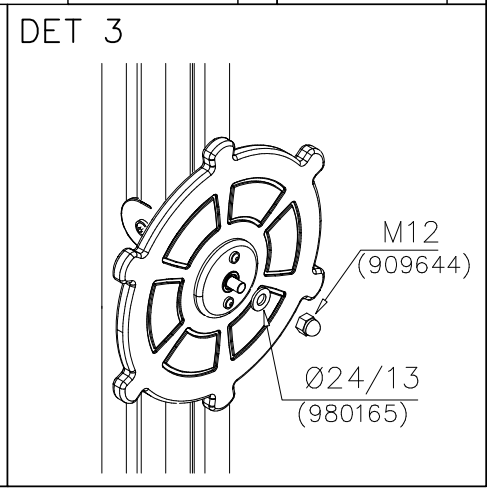
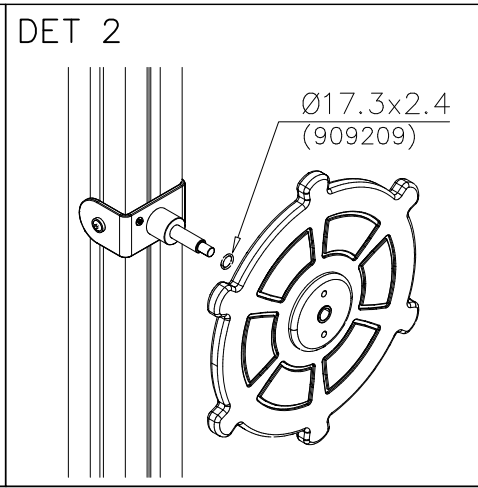
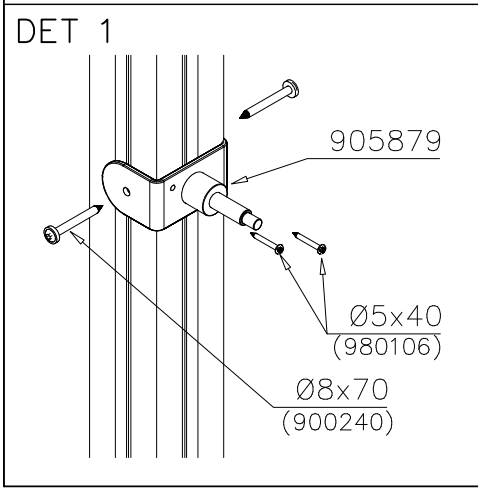
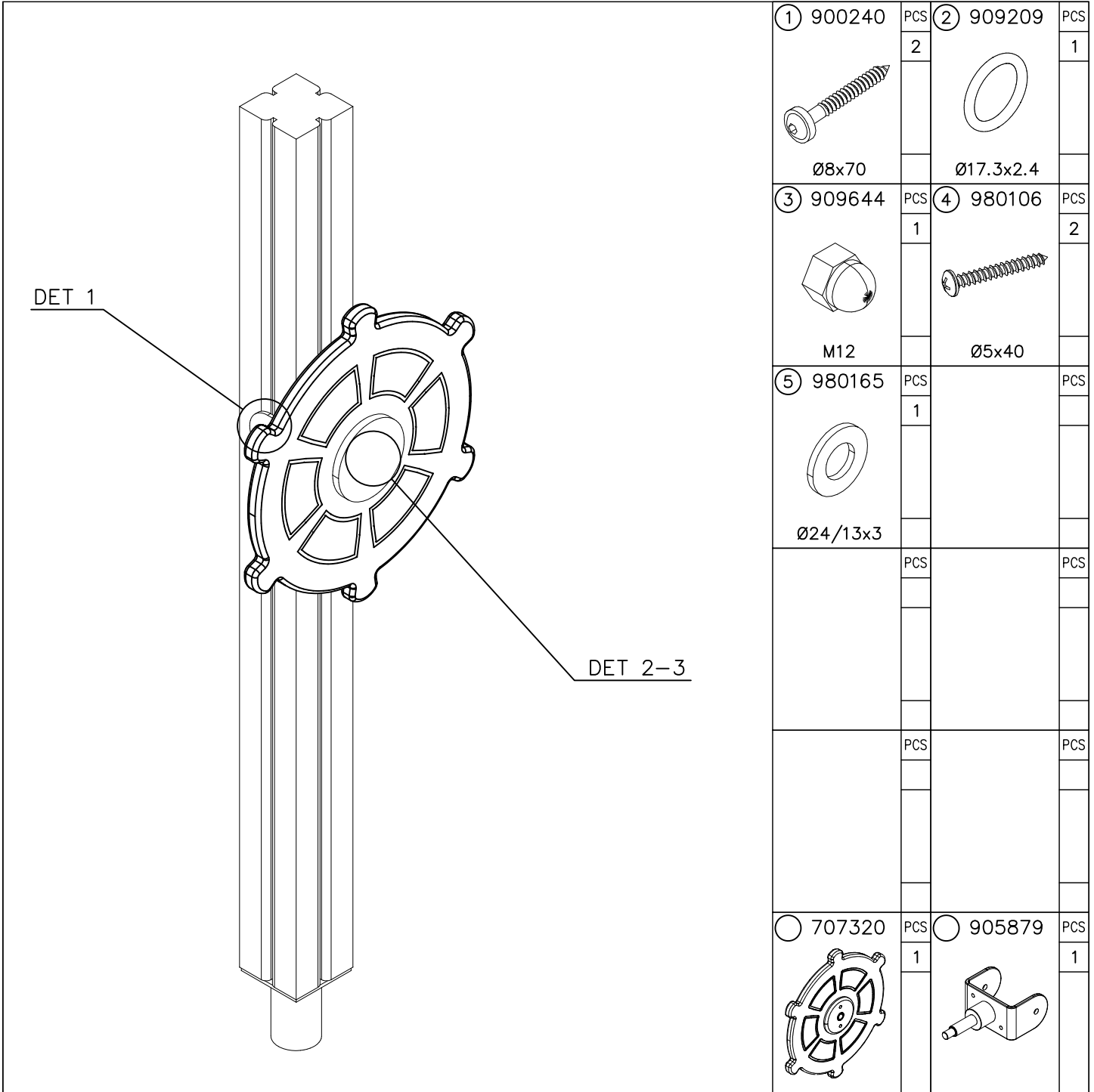
| | | |
|---|--|--|
| POST 707145  43x93x717 | 707145-602 DARK BROWN 707145-603 LIGHT BROWN 707145-604 LIGHT GRAY | |
|---|--|--|

POST OPTIONS

| | | |
|--|--|--|
| | | |
|--|--|--|

| | | |
|--|--|--|
| | | |
|--|--|--|

| | | | | | | | | | | | |
|--|----------|--|-----------|--|----------|---|----------|--|----------|---|----------|
| ① 707191  +870 | PCS 1 | ② 707145  43x93x717 | PCS 2 | ③ 707146  15x145x1153 | PCS 4 | ④ 900859  M8x90 | PCS 2 | ⑤ 905104  M10 | PCS 4 | ⑥ 909633  M8 | PCS 2 |
| ⑦ 980123  Ø7x60 | PCS 8 | ⑧ 980128  Ø7x40 | PCS 15 | ⑨ 980152  Ø24/8.4x2 | PCS 2 | | PCS | | PCS | | PCS |



| | | | |
|-------------|-----|----------|-----|
| ① 903176 | PCS | ② 909850 | PCS |
| | 4 | | 4 |
| | | M8x25 | |
| ③ 909256 | PCS | ④ 909633 | PCS |
| | 8 | | 4 |
| Ø16/8.4x1.6 | | M8 | |
| ⑤ 980123 | PCS | | PCS |
| | 4 | | |
| Ø7x60 | | | |

***Note:**
No gaps between:
8–25mm
89–230mm

| COLOR OPTIONS | |
|---------------|------------|
| -701 | BLUE |
| -702 | YELLOW |
| -703 | LIME |
| -704 | DARK GRAY |
| -705 | LIGHT GRAY |
| -706 | RED |
| -707 | GREEN |
| -708 | FUXIA |

GAME WALL OPTIONS

| | | | |
|---|---|--|--|
| 706766 | 706772 | 706308 | 707453 |
|  |  |  |  |
| 640x702 | 640x702 | 640x702 | 640x702 |
| 707209 | 705705 | 707433 | 707386 |
|  |  |  |  |
| 640x702 | 640x702 | 640x702 | 640x702 |
| 709403 | 709358 | 709405 | |
|  |  |  | |
| 640x702 | 640x702 | 420x702 | |

DET 1



DET 2





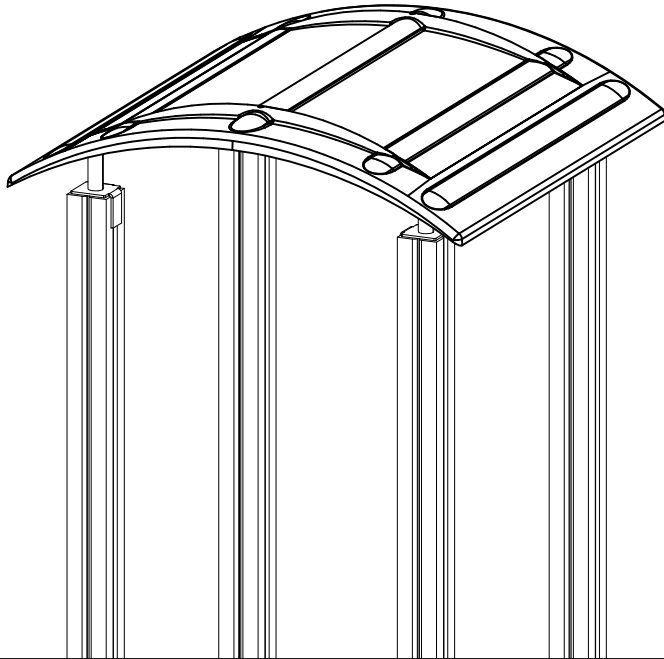
| | | | |
|---|-----|--|-----|
| ① 900240 | PCS | | PCS |
|  | 2 | | |
| Ø8x70 | | | |
| | PCS | | PCS |
| | | | |
| | PCS | | PCS |
| | | | |

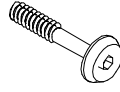



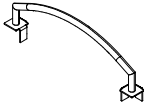



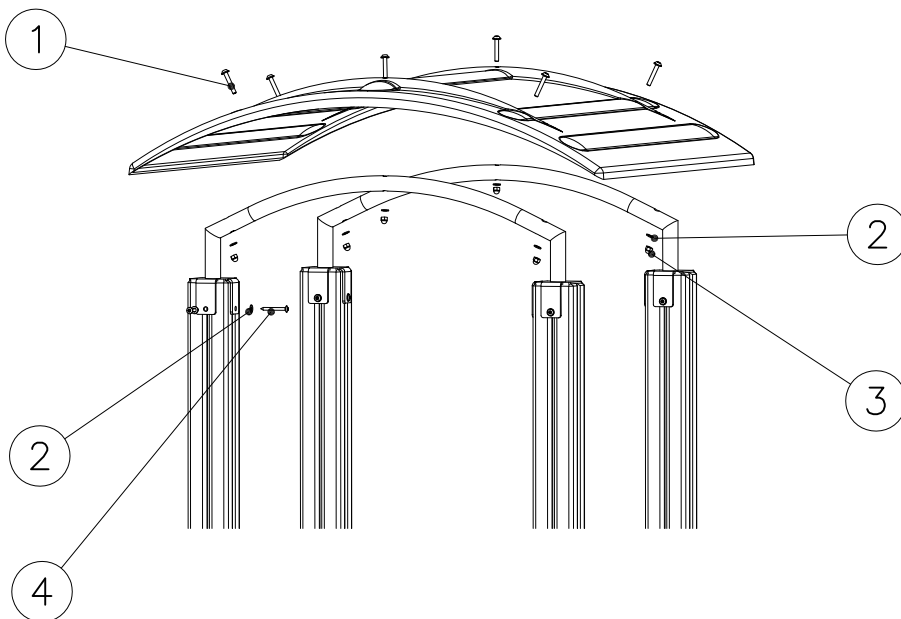
| | | | |
|---|-----|---|-----|
| ○ 707302 | PCS | ○ 707303 | PCS |
|  | 1 |  | 1 |
| ○ 707304 | PCS | ○ 707305 | PCS |
|  | 1 |  | 1 |
| | PCS | | PCS |
| | | | |



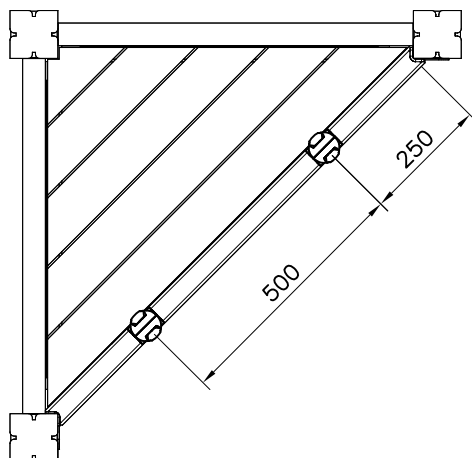
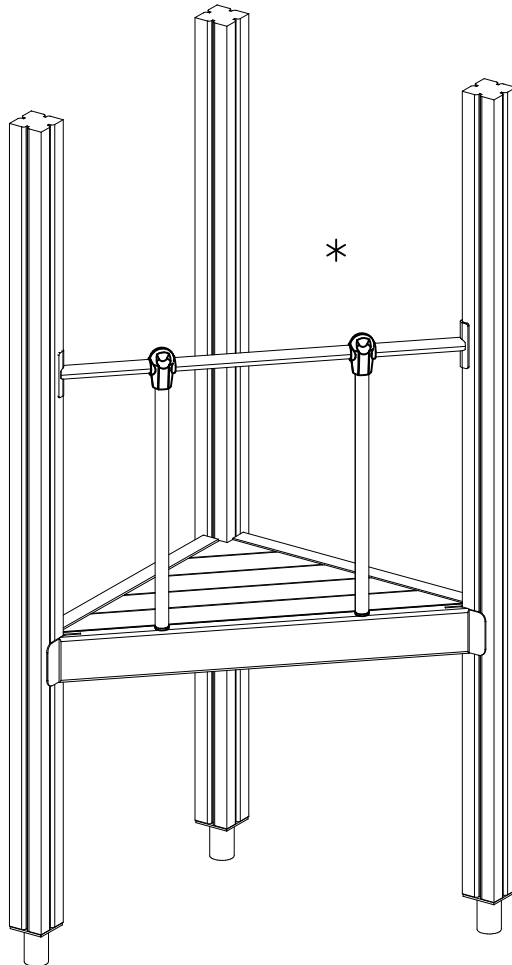
| | | | |
|--|-----|--|-----|
| | PCS | | PCS |
| | | | |
| | PCS | | PCS |
| | | | |





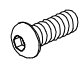



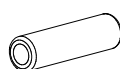






| | | | | | |
|---|---|-----|---|---|-----|
| ① | 909868 | PCS | ② | 909256 | PCS |
| | | 6 | | | 14 |
| |  | | |  | |
| | M8x50 | | | Ø16/8.4 | |
| ③ | 909633 | PCS | ④ | 980123 | PCS |
| | | 6 | | | 8 |
| |  | | |  | |
| | M8 | | | Ø7x60 | |
| | | PCS | | | PCS |
| | | | | | |
| | | PCS | | | PCS |
| | | | | | |
| ○ | 908330 | PCS | ○ | 908251 | PCS |
| | | 2 | | | 1 |
| |  | | |  | |
| | | | | 1100x1100x215 | |
| | | PCS | | | PCS |
| | | | | | |
| | | PCS | | | PCS |
| | | | | | |
| | | PCS | | | PCS |
| | | | | | |

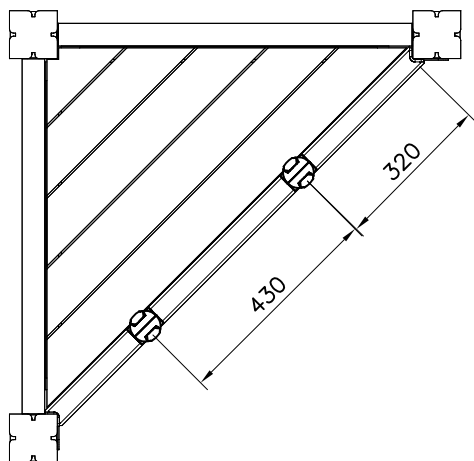
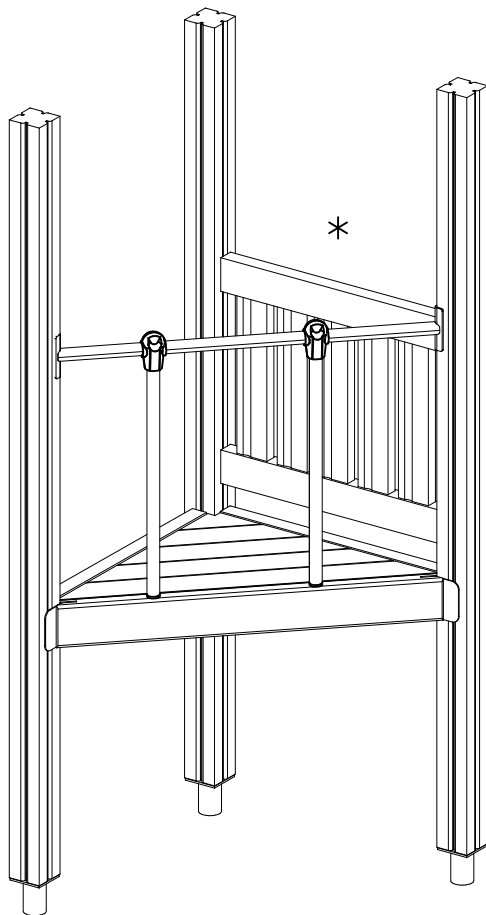


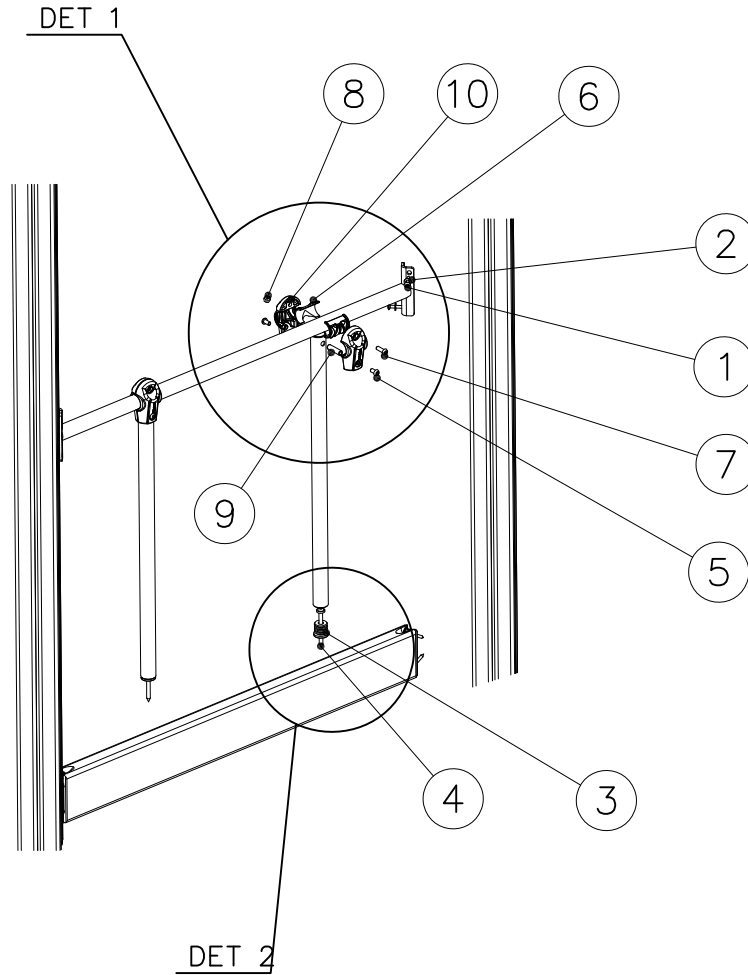
OPTION 1. No wall on the sides



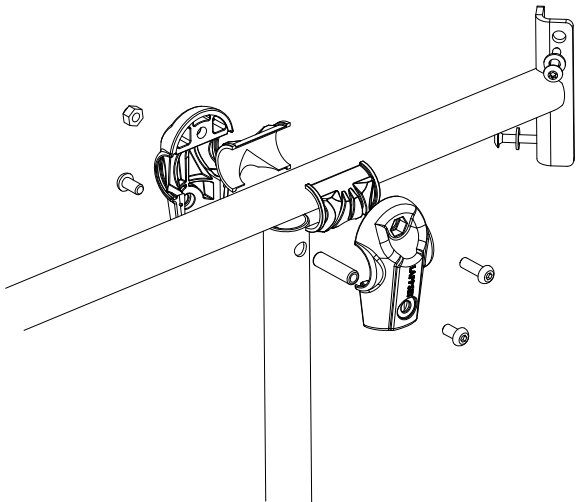
| | | | | | |
|---|---|-----|---|---|-----|
| ① | 980128 | PCS | ② | 909256 | PCS |
| |  | 4 | |  | 4 |
| | 93x93x2150 | | | Ø16/8.4 | |
| ③ | 908057 | PCS | ④ | 903093 | PCS |
| |  | 2 | |  | 2 |
| | Ø32/29-L5/30 | | | Ø8x90 | |
| ⑤ | 900342 | PCS | ⑥ | 901900 | PCS |
| |  | 4 | |  | 4 |
| | M8x16 | | | 20.5x36.2x56 | |
| ⑦ | 909850 | PCS | ⑧ | 980150 | PCS |
| |  | 2 | |  | 2 |
| | M8x25 | | | M8 | |
| ⑨ | 901182 | PCS | ⑩ | 901902 | PCS |
| |  | 2 | |  | 4 |
| | Ø11/M8x40 | | | 30.7x60.9x100 | |
| | | PCS | | | PCS |
| | | | | | |
| | | PCS | ○ | 908044 | PCS |
| | | | |  | 2 |
| | | | | Ø33.7x679 | |
| ○ | 911529 | PCS | ○ | 907920 | PCS |
| |  | 1 | |  | 1 |
| | | OR | | | |

OPTION 2. Wall on either side (move vertical bar 70mm)

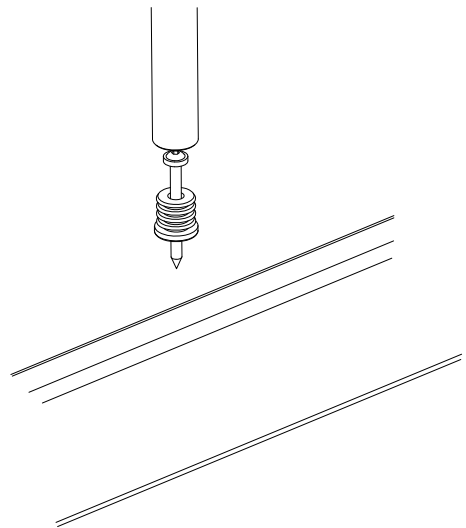




DET 1



DET 2





Tuotekyltti tulee tuotteen mukana yhdellä seuraavista tavoista:

1) Metallinen tuotekyltti ja kiinnitysruuvit

- Kiinnitä tuotekyltti ruuveilla tolppaan noin 2 metrin korkeuteen kuvan 1 mukaisesti.

2) Tuotekylttitarra

- Puhdista maalattu metalli- tai vaneripinta pölystä ja kosteudesta. Liimaa tarra kuvan 2 mukaisesti.
- Huom. Älä kiinnitä tarraa karheapintaiseen laminaattiin tai maalattuun puuhun.

Vår produktmärkning levereras på ett av följande sätt:

1) Produktskylt i metall

- Fäst skylten med de medföljande skruvarna

2) Självhäftande produktetikett

- Rengör den pulverlackerade metallytan eller laminatyten så att den blir fri från smuts och fukt. Fäst etiketten enligt fig. 2.
- Obs! Fäst ej etiketten på detaljer med skrovlig yta eller på målat trä.

Product label is delivered by one of following ways:

1) Metal product label and screws

- Fasten the label with screws.

2) Label sticker

- Clean the painted metal or plywood surface from dirt and moisture. Fasten the sticker as shown in the figure 2.
- Note. Do not attach the sticker to rough surfaced laminate or painted wood.

La plaque d'informations produit est livrée sous l'une de ces 3 formes :

1) Plaque métallique et vis

- Fixez la plaque à l'aide des vis.

2) Etiquette autocollante

- Avant de coller l'étiquette, nettoyez le composant métallique peint ou la plaque de contreplaqué, de toute saleté. La surface doit être sèche (voir image 2).
- Attention, ne pas coller l'étiquette sur une surface lamellé-collée irrégulière ou sur du bois peint.

Die Auslieferung des Produktaufklebers erfolgt auf eine dieser Arten:

1) Produkt-Schild aus Metall incl. Schrauben

- Die Befestigung des Schildes erfolgt mittels der Schrauben.

2) Aufkleber

- Entfernen Sie zunächst Schmutz und Feuchtigkeit vom lackierten Metall bzw. von der Holzoberfläche und bringen Sie den Aufkleber wie im Bild oben rechts beschrieben auf den gesäuberten Untergrund auf.
- Beachten Sie: Bringen Sie den Aufkleber nicht auf raues laminiertes oder lackiertes Holz an.

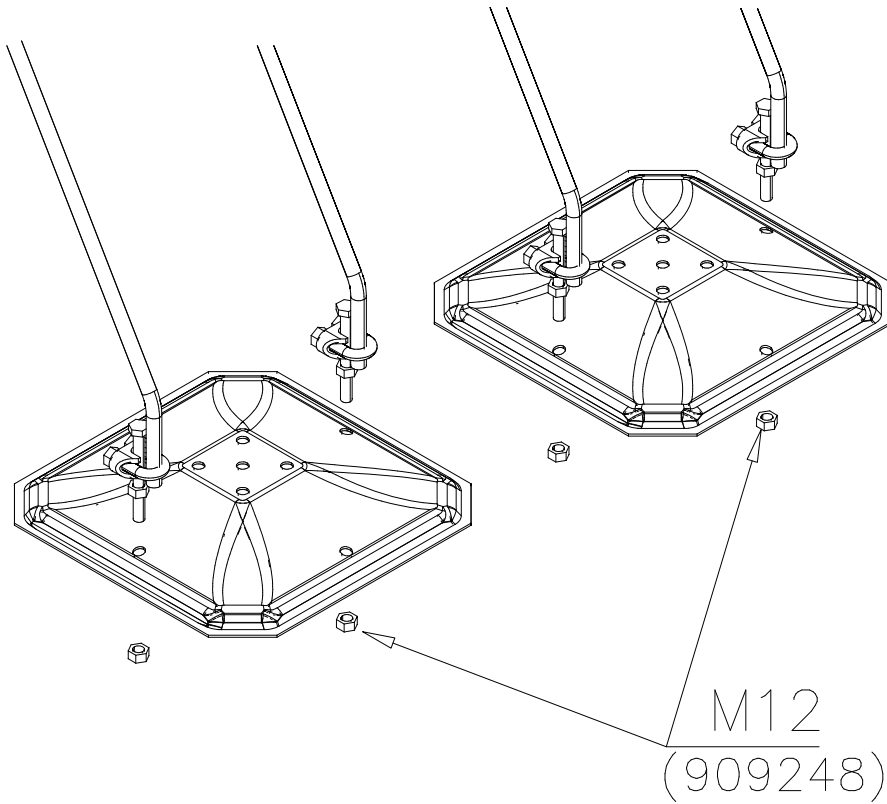
LAPPSET® DEEP FOUNDATION



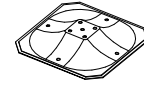
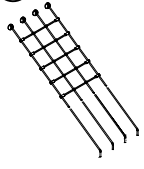
707864

DATE: 16.6.2017

1(3)

DET 1

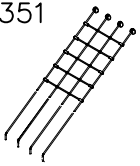


| | | | |
|---|-----|---|-----|
| ① 980123 | PCS | ② 909256 | PCS |
|  | 8 |  | 8 |
| Ø7x60 | | Ø16/8.4 | |
| | PCS | | PCS |
| | | | |
| | PCS | | PCS |
| | | | |
| ○ 909519 | PCS | ○ 707351 | PCS |
|  | 2 |  | 1 |
| 50x380x380 | | | |

M12
(909248)

ROPE LADDER OPTIONS +870

707351



- 301 BLUE
- 302 RED
- 303 BEIGE
- 304 GRAY
- 305 BLACK
- 306 YELLOW

DET 2

