

LAPPSET®

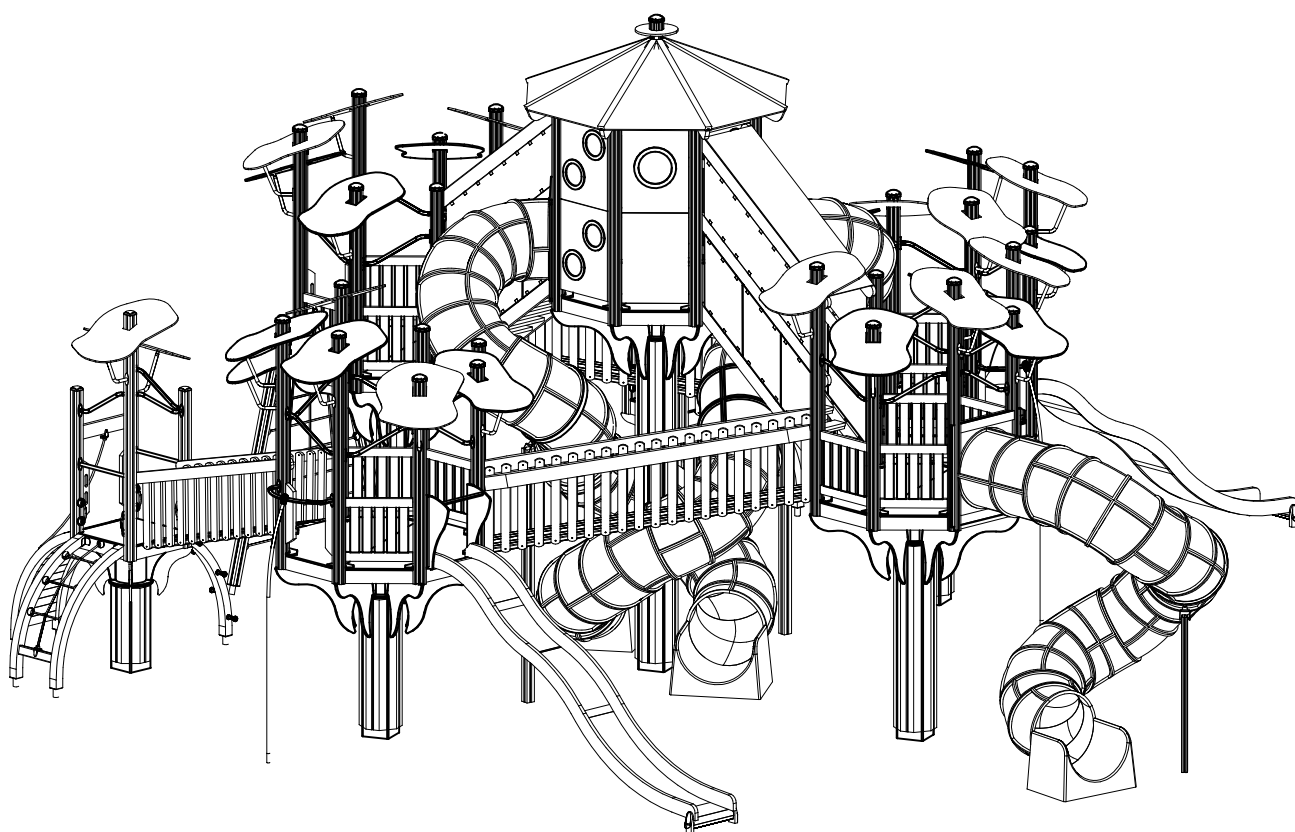
THEME PLAY

ASENNUSOHJE
MONTERINGSANSVISNING
INSTALLATION INSTRUCTION
AUFBAUANLEITUNG
NOTICE D'INSTALLATION

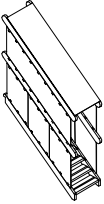
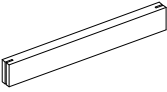
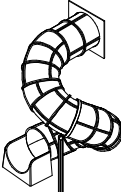
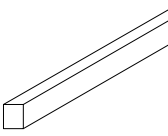

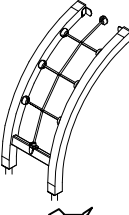

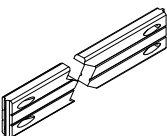
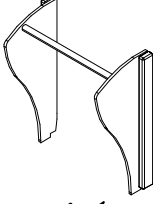
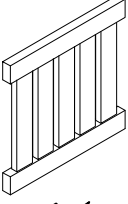
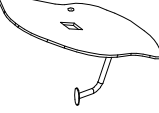
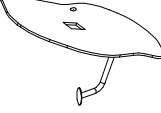
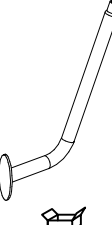
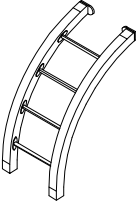
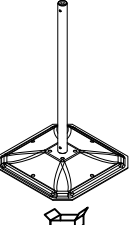
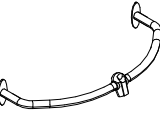
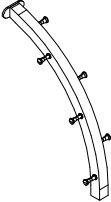
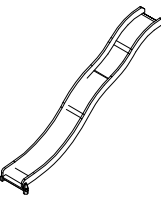
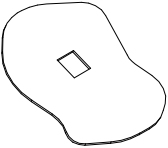
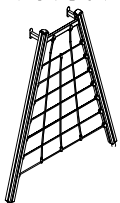
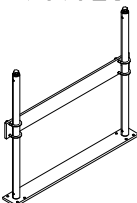
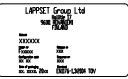
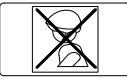
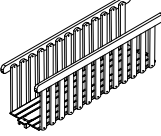
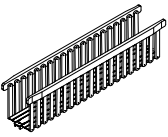

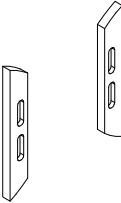
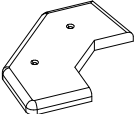
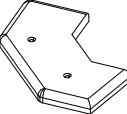
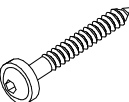
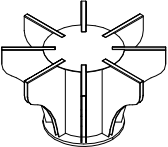
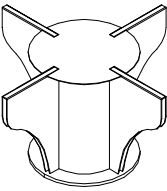
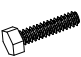

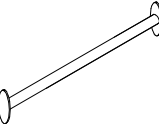
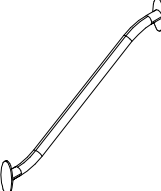
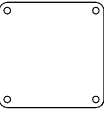

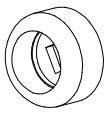
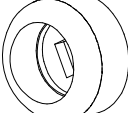


REF: 120950
DATE: 14.11.2013

INCLUDE PRODUCTS WHICH
NEED EXPERT KNOWLEDGE
OF CONSTRUCTION TECHNIQUE !

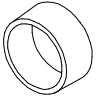
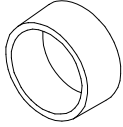

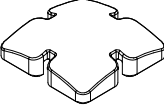
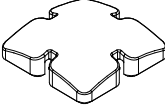
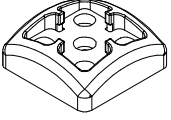
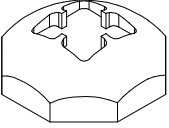
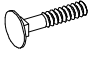

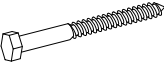


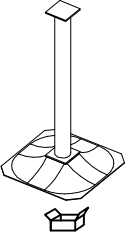
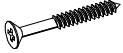



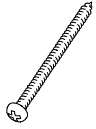



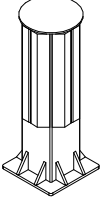
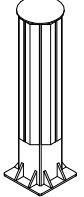
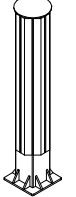

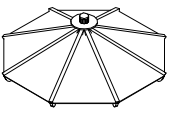

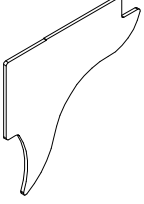
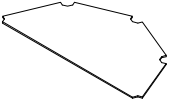
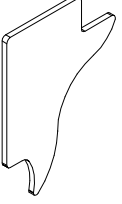
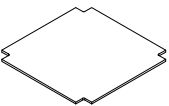


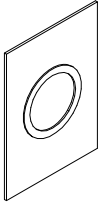
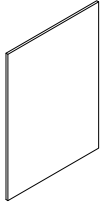
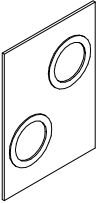



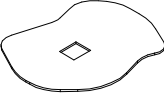
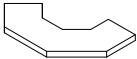
SHERWOOD FOREST



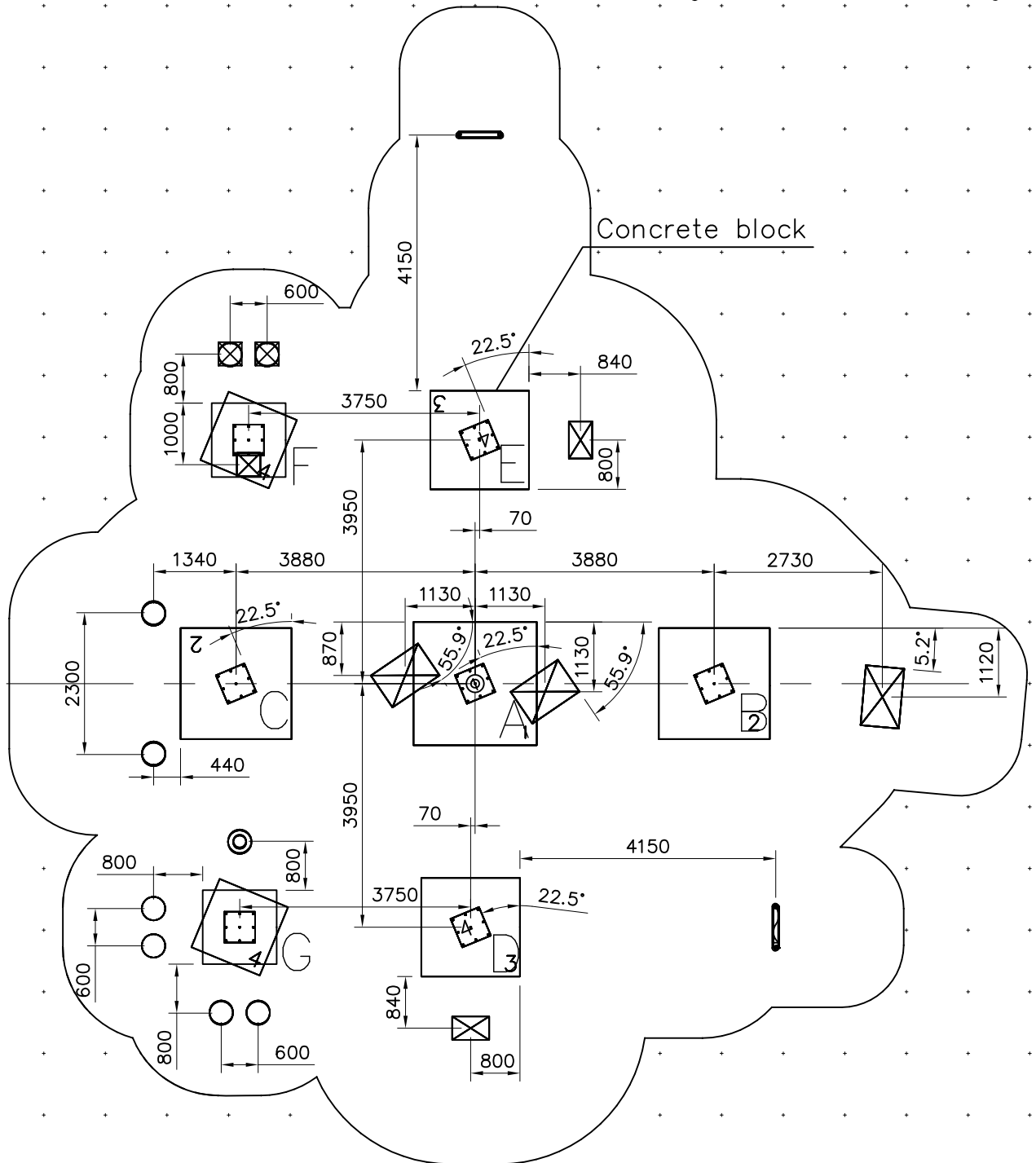
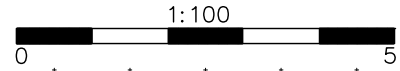
REF: 120950
DATE: 14.11.2013

007414  PCS 2	007530  PCS 10	700411  PCS 1	700414  45x95x778 PCS 4	701095  PCS 1	701105  PCS 1
701325  PCS 1	701478  L 704 PCS 58	701553  PCS 2	701590  PCS 19	701596  PCS 2	701597  PCS 2
701598  PCS 24	701605  PCS 1	701606  PCS 2	701626  PCS 2	701627  PCS 1	701672  PCS 2
701735  BLUE PCS 11	701867  PCS 1	701928  PCS 2	702286  LAPPSET Group Ltd www.lappset.com 90x50 PCS 1	702339  90x50 PCS 1	702700  PCS 2
702730  PCS 2	702792  PCS 8	702899  PCS 4	703039  PCS 6	703040  PCS 6	900240  Ø8x70 PCS 164
900436  PCS 5	900437  PCS 2	900477  12x60 PCS 192	901600  PCS 2	901787  L 704 PCS 4	901949  PCS 37
902487  65x65 PCS 2	905051  Ø24/8.4 PCS 244	905083  Ø32 PCS 56	905090  Ø45 PCS 384	905098  M20 PCS 56	905104  M10 PCS 36

REF: 120950
DATE: 14.11.2013

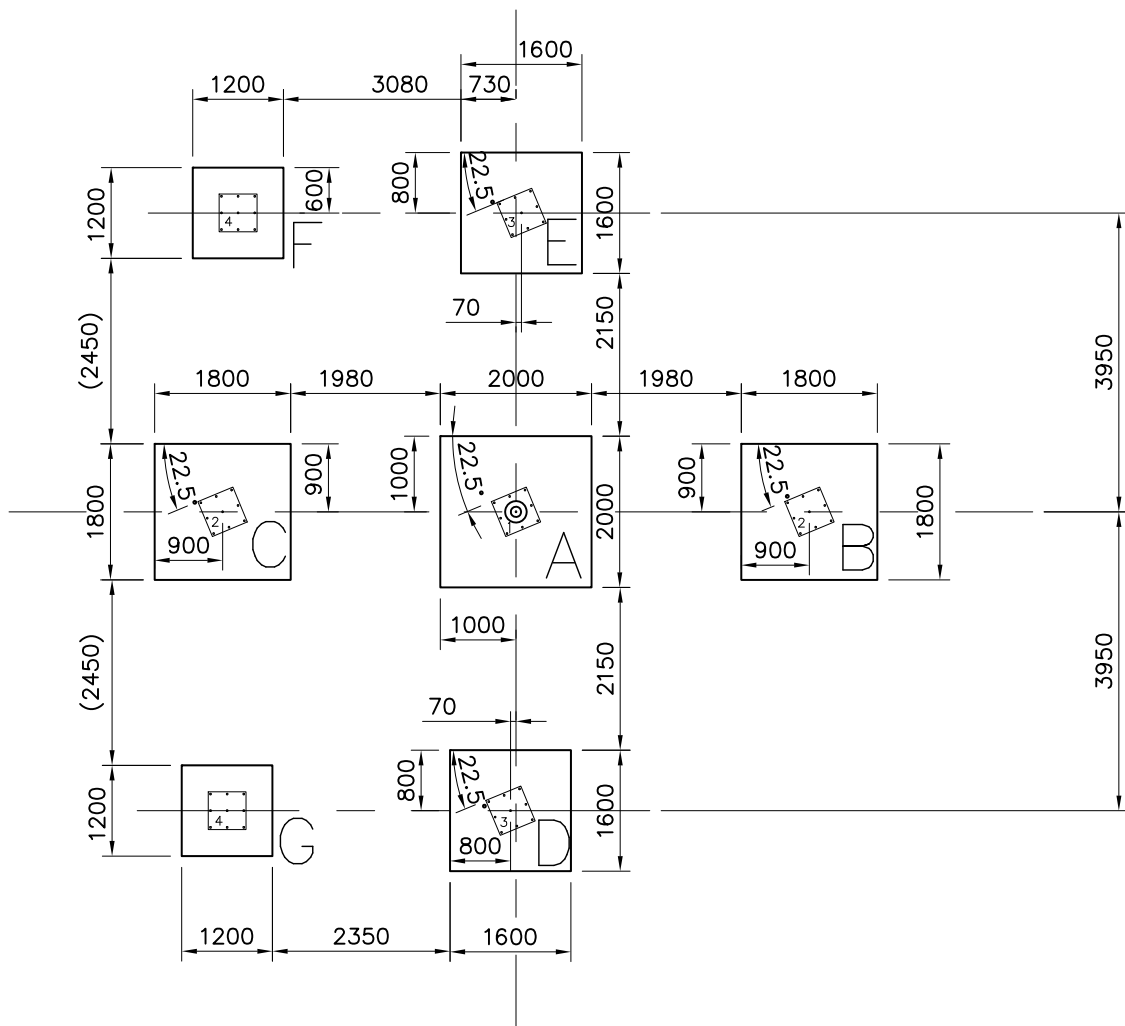
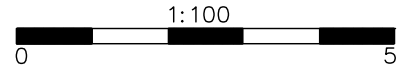
905112	PCS 56	905115	PCS 384	905123	PCS 22	905137	PCS 8	905139	PCS 32	905195	PCS 8
											
Ø22		Ø30		Ø13/17-H		YELLOW		BLACK		YELLOW	
905197	PCS 32	909128	PCS 56	909217	PCS 12	909238	PCS 232	909248	PCS 192	909506	PCS 8
											
BLACK		8x35		8x70		8x90		M12		Ø3.5x13	
909521	PCS 9	980100	PCS 240	980102	PCS 16	980123	PCS 4	980128	PCS 68	980131	PCS 160
											
		5x60		5x40		Ø7x60		Ø7x40		Ø6x60	
980150	PCS 56	980151	PCS 56	980154	PCS 384	AN0124	PCS 2	AN0125	PCS 2	AN0126	PCS 2
											
M8		Ø16/8.4		Ø24/13		L=1470		L=2070		L=2670	
AN0127	PCS 1	AN0129	PCS 1	AN0131	PCS 2	PN0234	PCS 40	PN0235	PCS 10	PN0236	PCS 8
											
L=4140											
PN0246	PCS 2	PN0260	PCS 12	PN0261	PCS 28	PN0265	PCS 4	PN0267	PCS 2	PN0271	PCS 4
											
		2670x140x140		2200x140x140		700x975		700x975		700x975	
PN0275	PCS 2	PN0276	PCS 2	PN0277	PCS 4	PN0278	PCS 13	PN0444	PCS 28		PCS
											
2670x95x95		2200x95x95		1700x95x95		GREEN					

EN Impact Area 180.8 m²
Grid size = 1000mm



© Installation starting point!

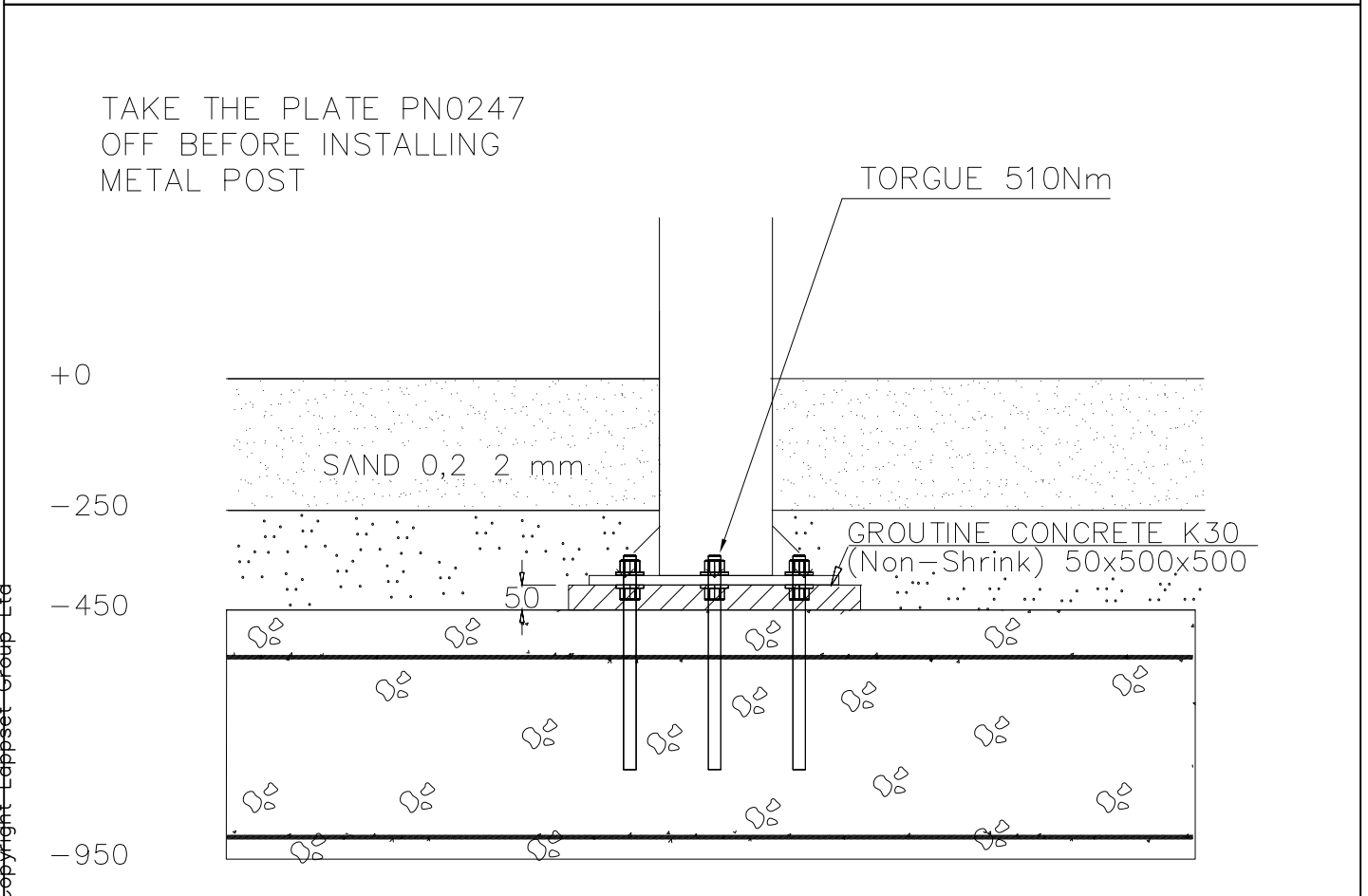
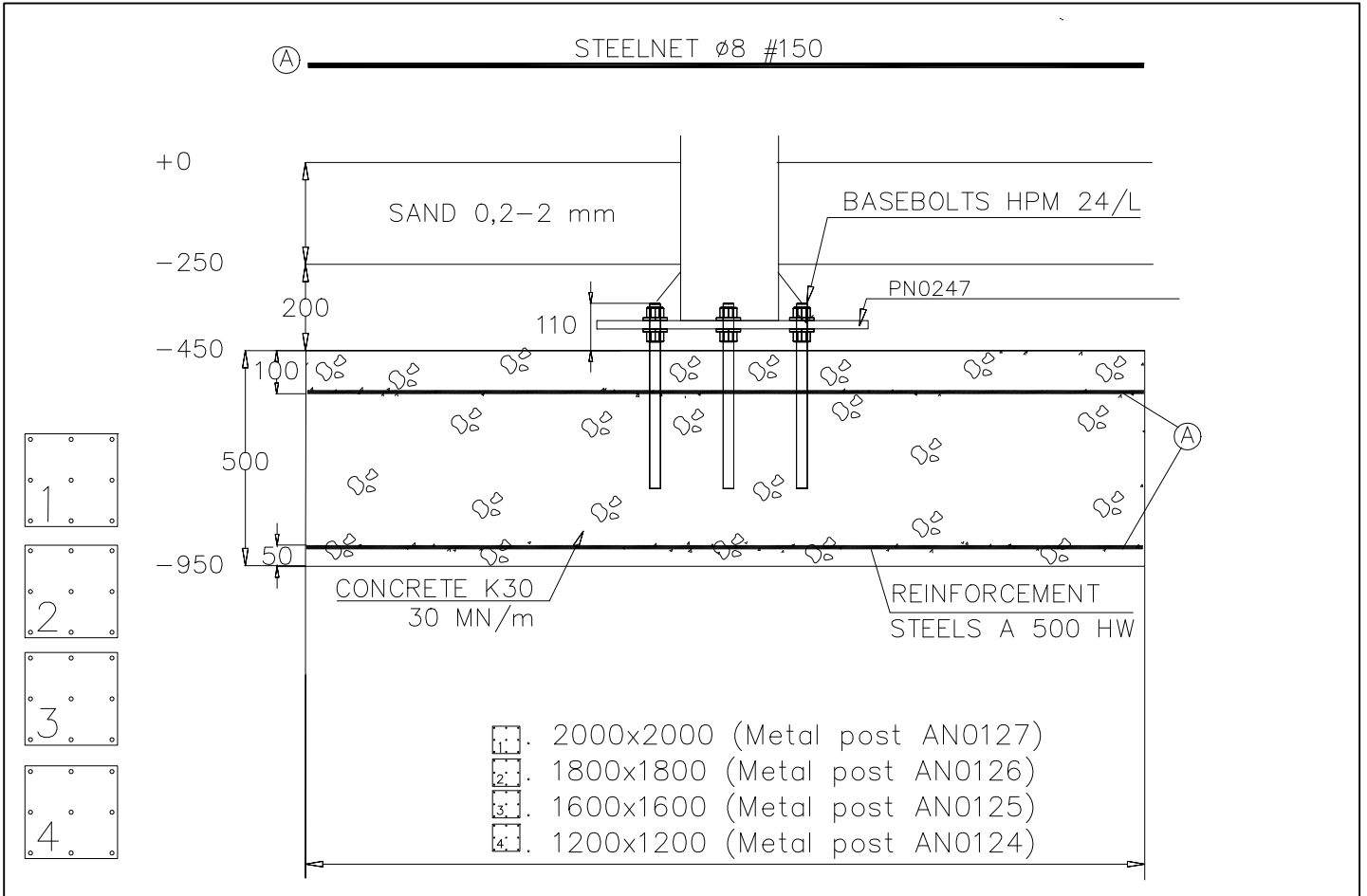
PLACING CONCRETE



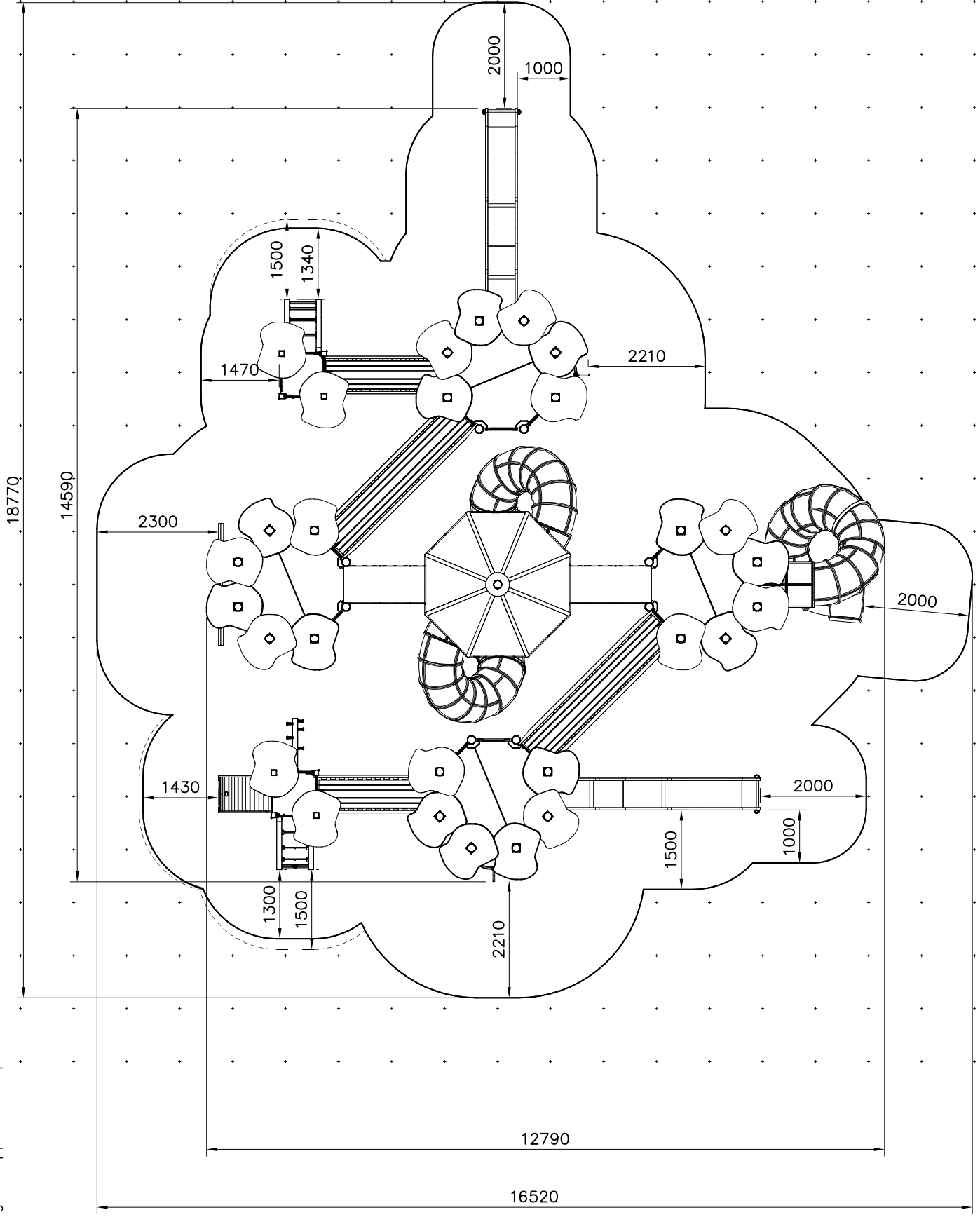
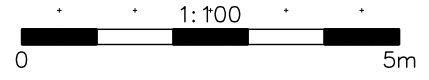
ATTENTION! Set the center point of the plate PN0247 to the center point of the concrete cast.

ATTENTION2 ! Concrete blocks D and E center points are not in the same vertical line as block A.

© Installation starting point!



—— EN Impact Area 180.8 m²
 + Falling Space 182.2 m²
 - - - Max Falling Height 2710 mm



+7060

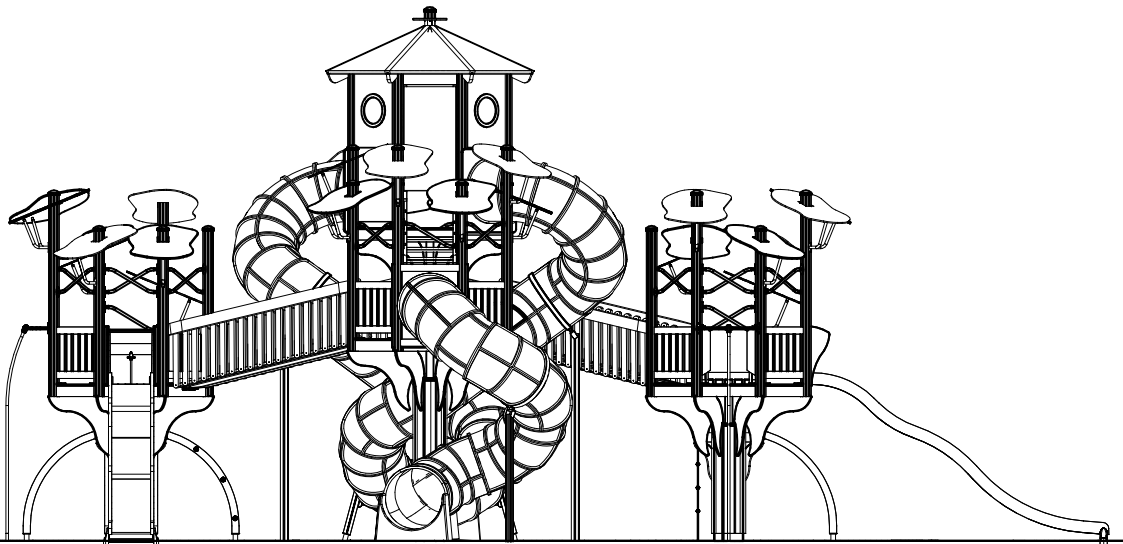
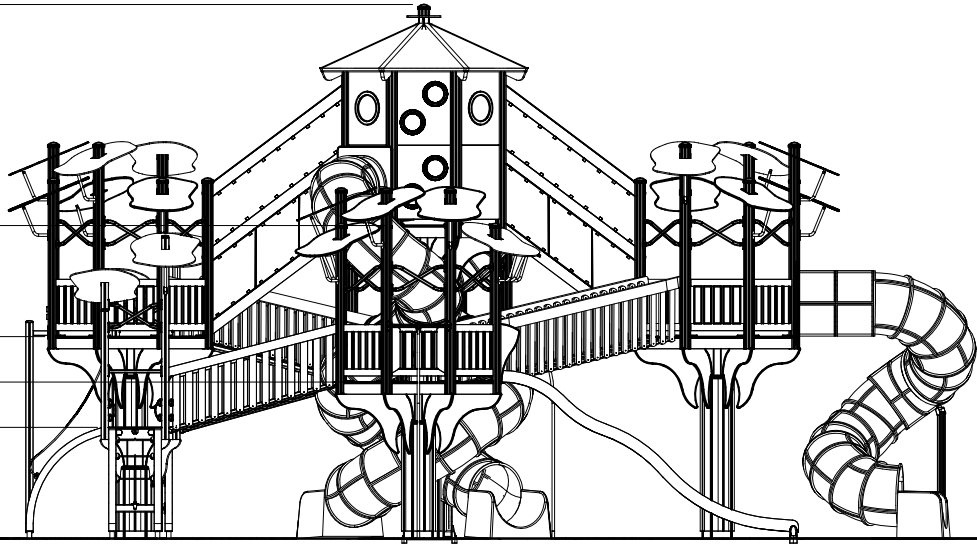
+4140

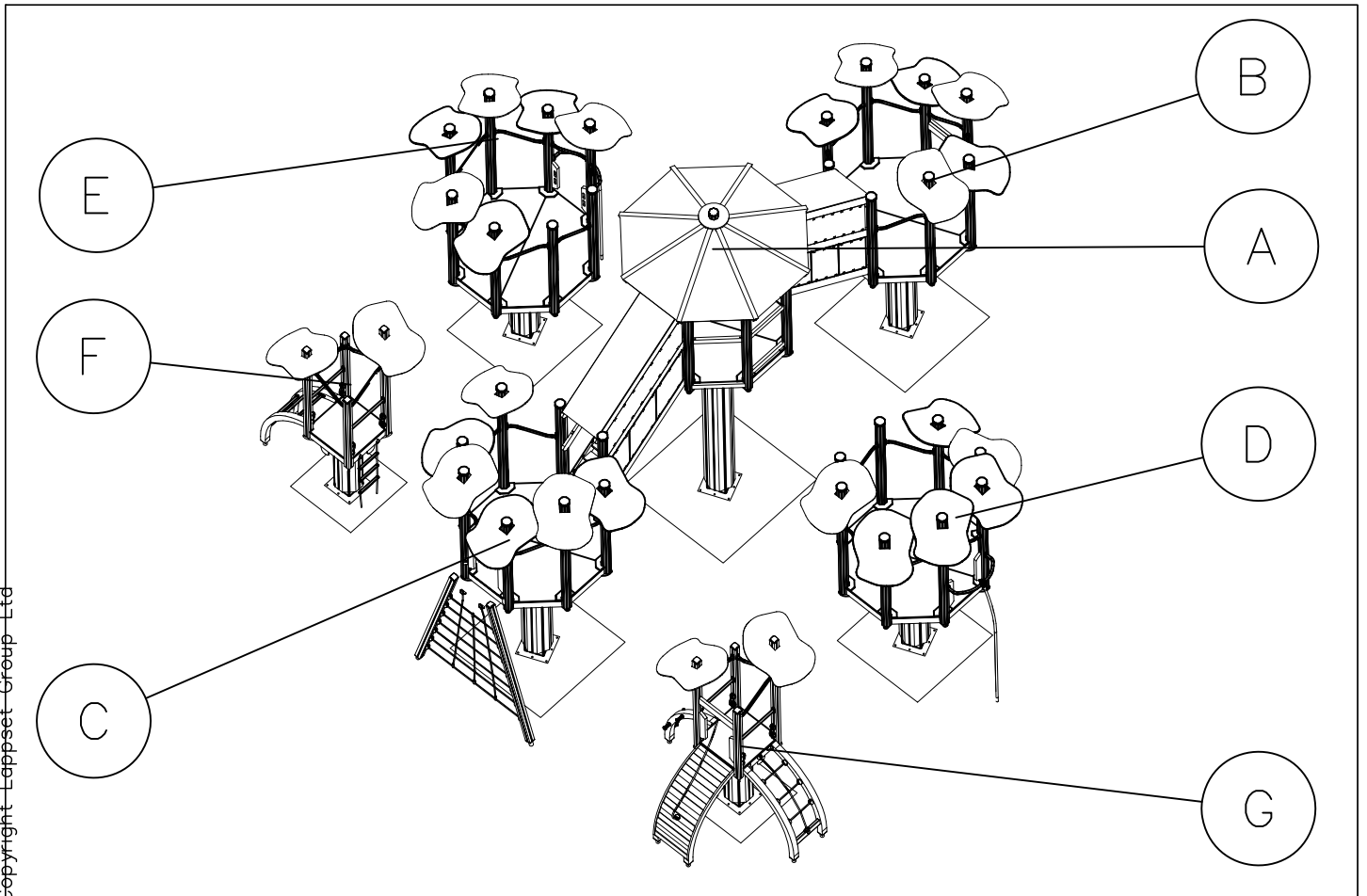
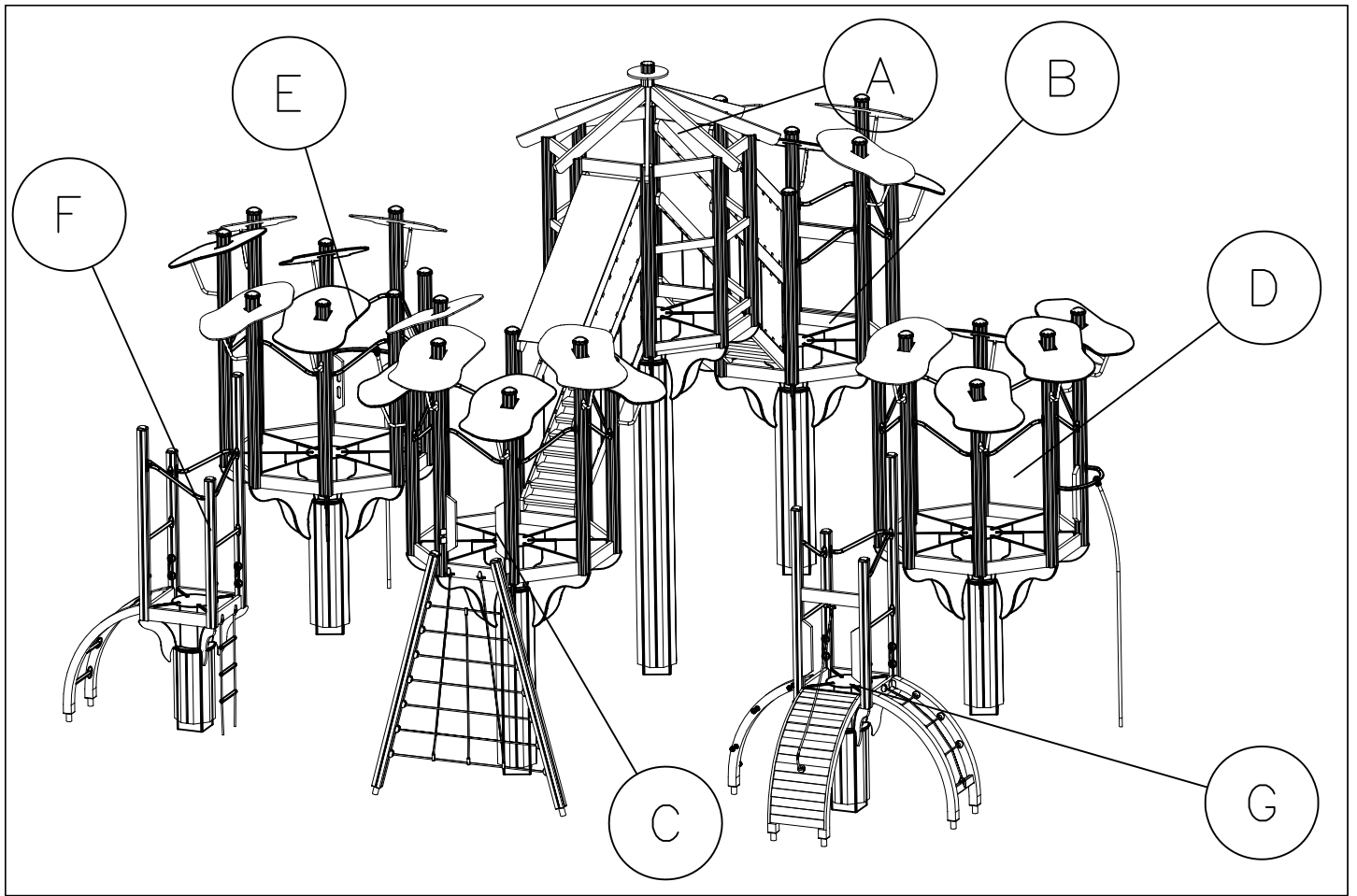
+2670

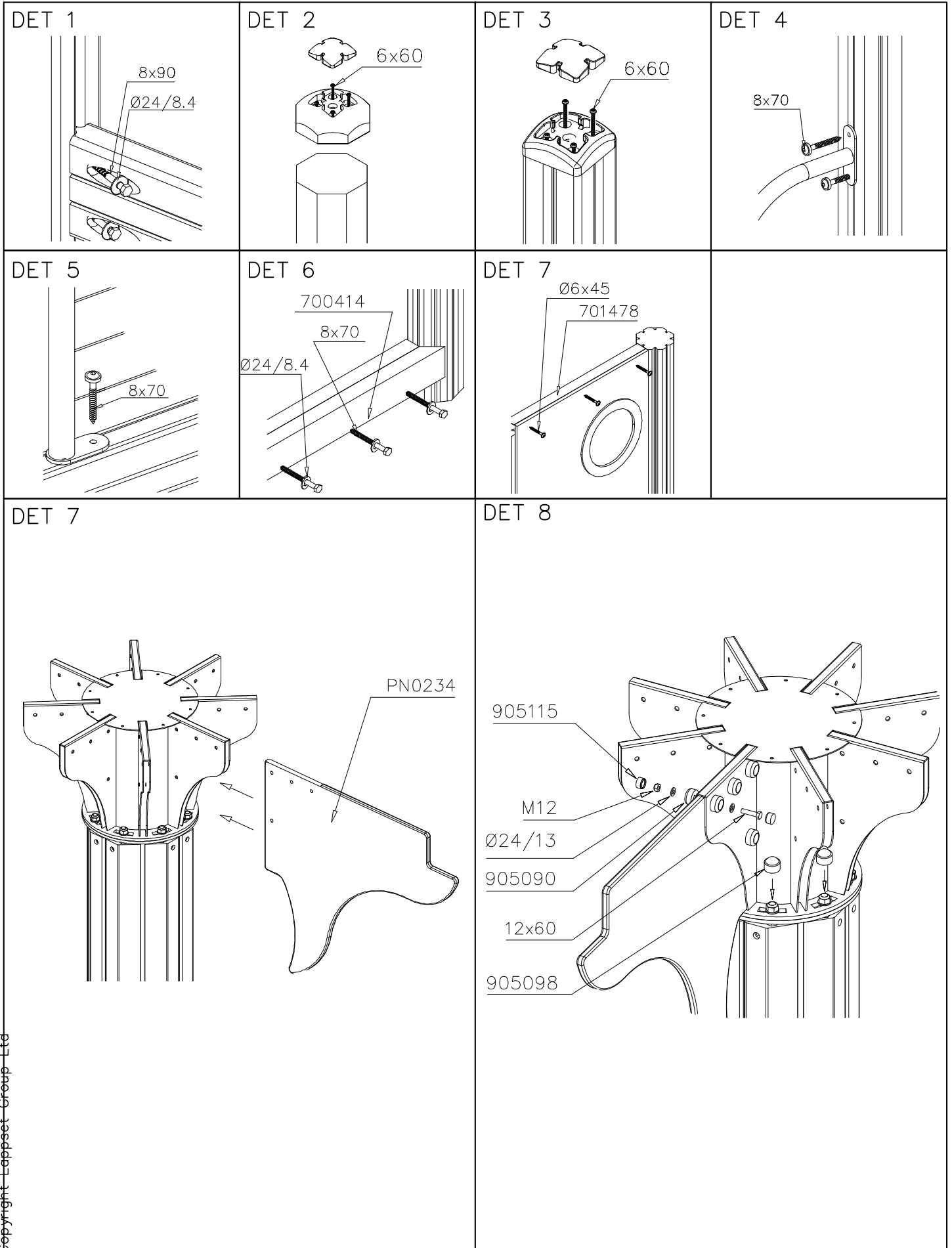
+2070

+1470

+0

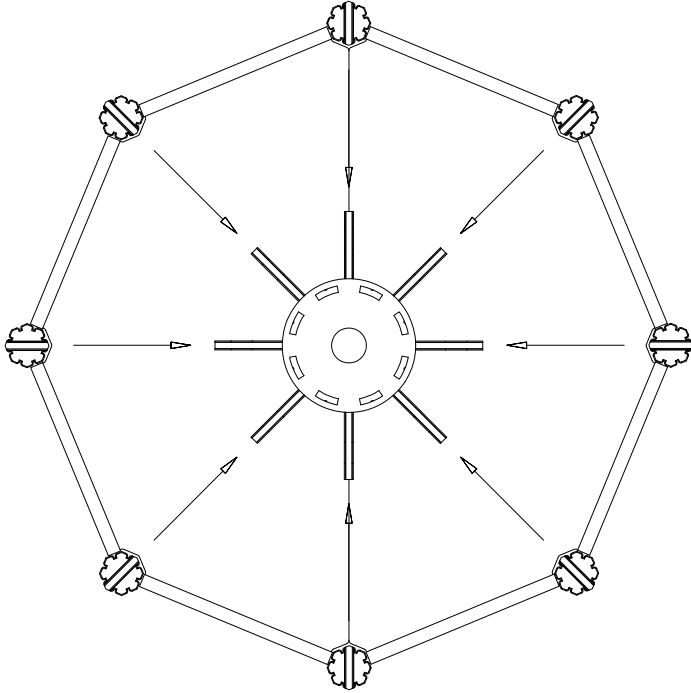




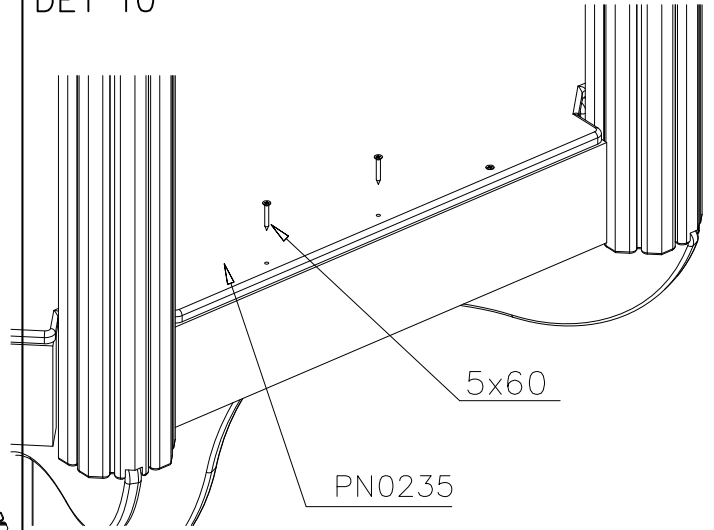


DET 9

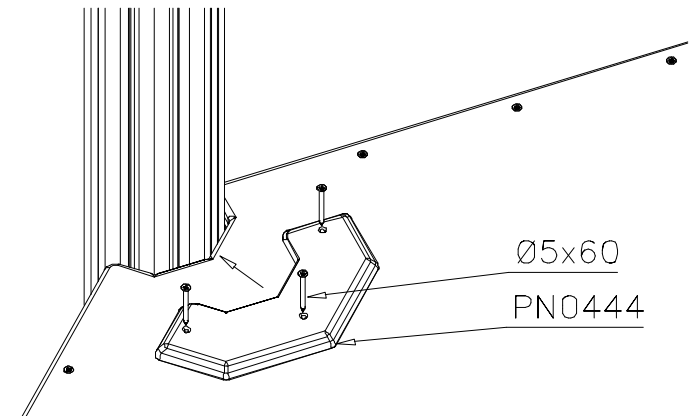
NOTE! Make sure that the groove in bottom of post is in right position.



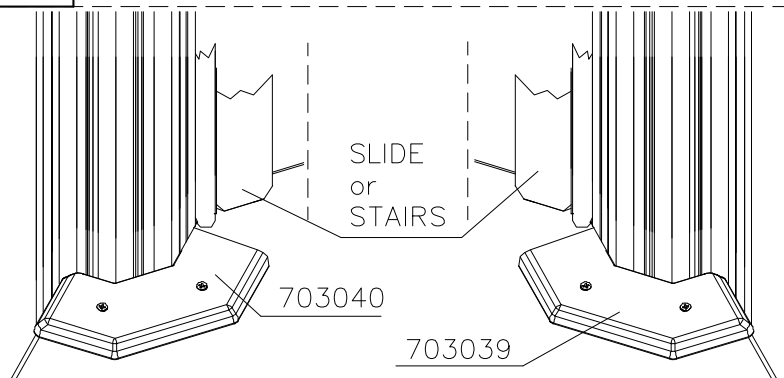
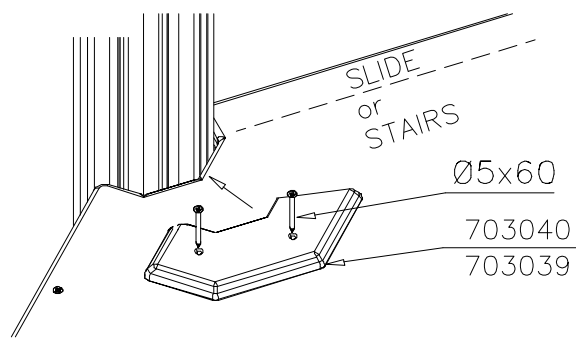
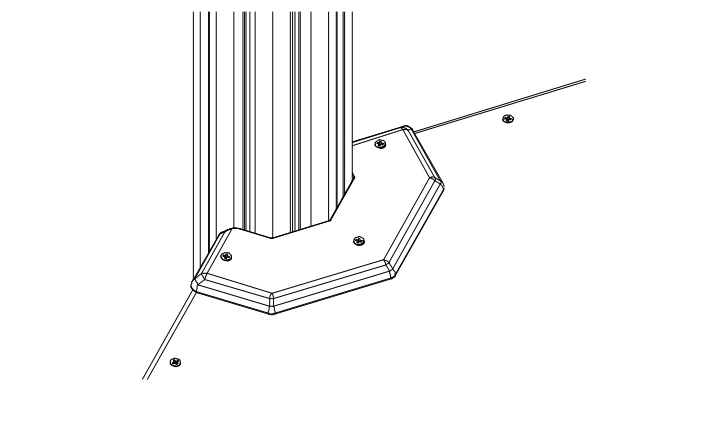
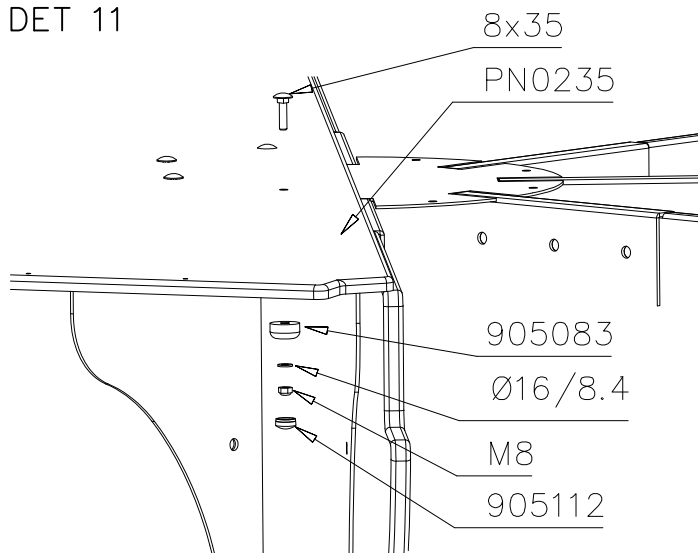
DET 10



DET 12



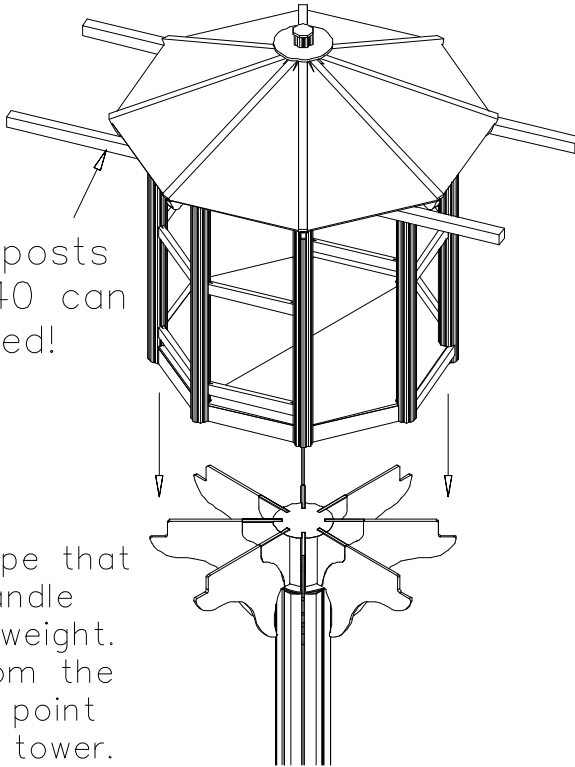
DET 11



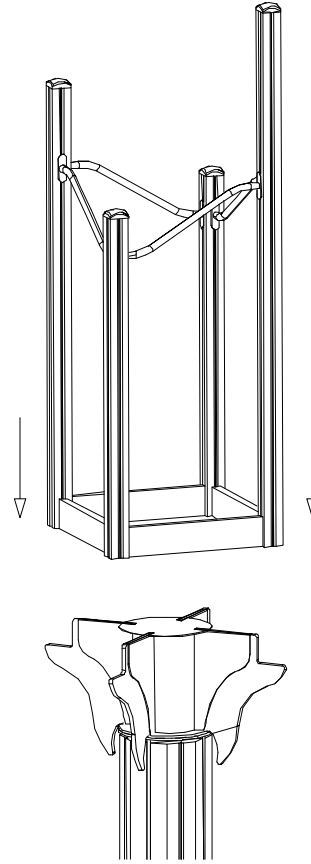
DET 13

Tube posts
006840 can
be used!

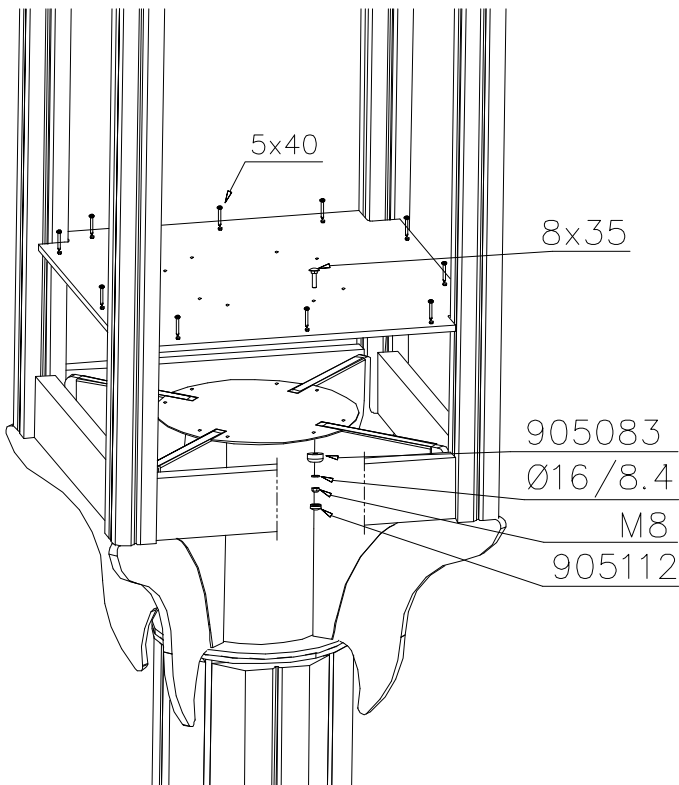
NOTE!
Use rope that
can handle
heavy weight.
Lift from the
center point
of the tower.



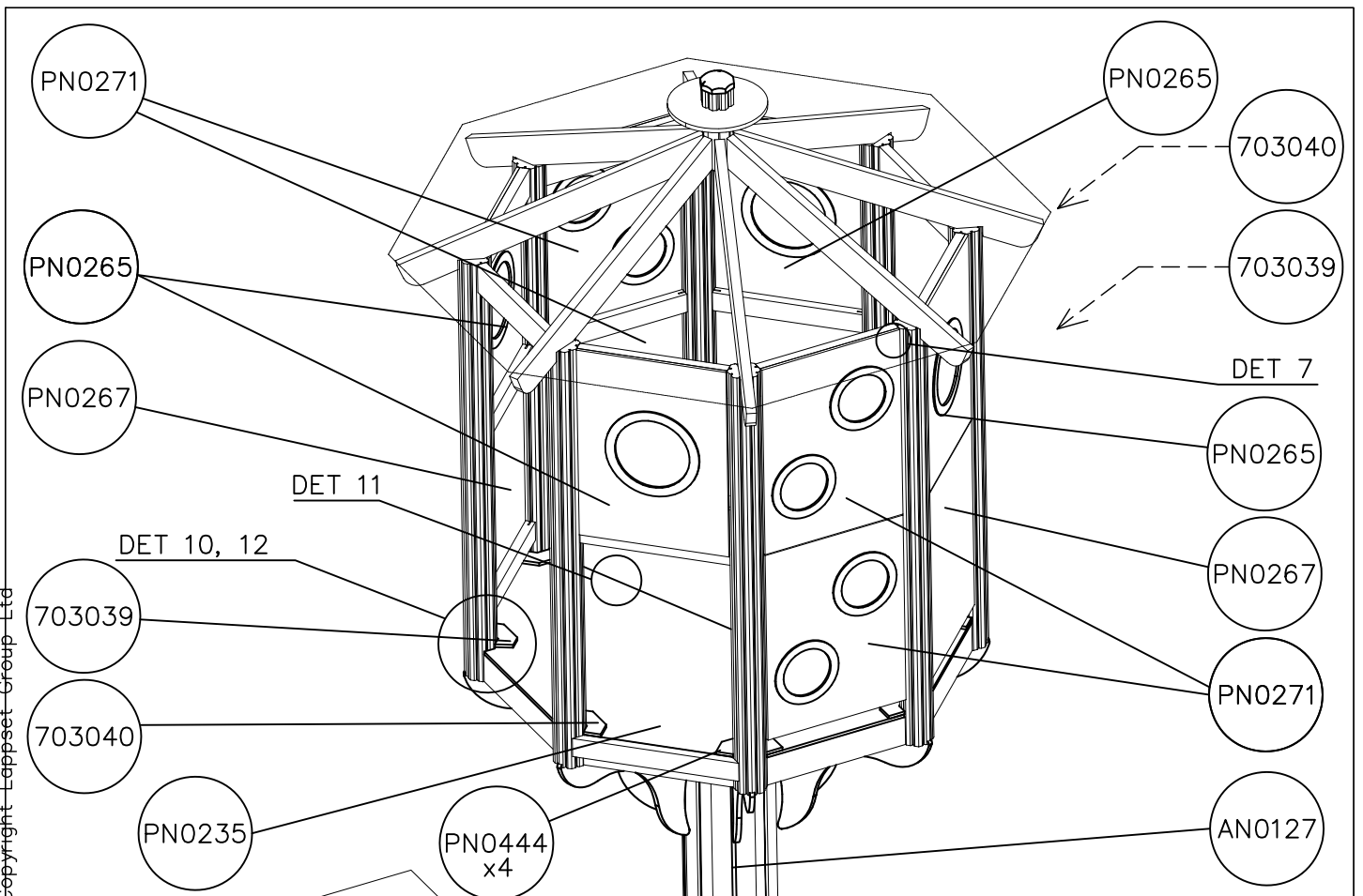
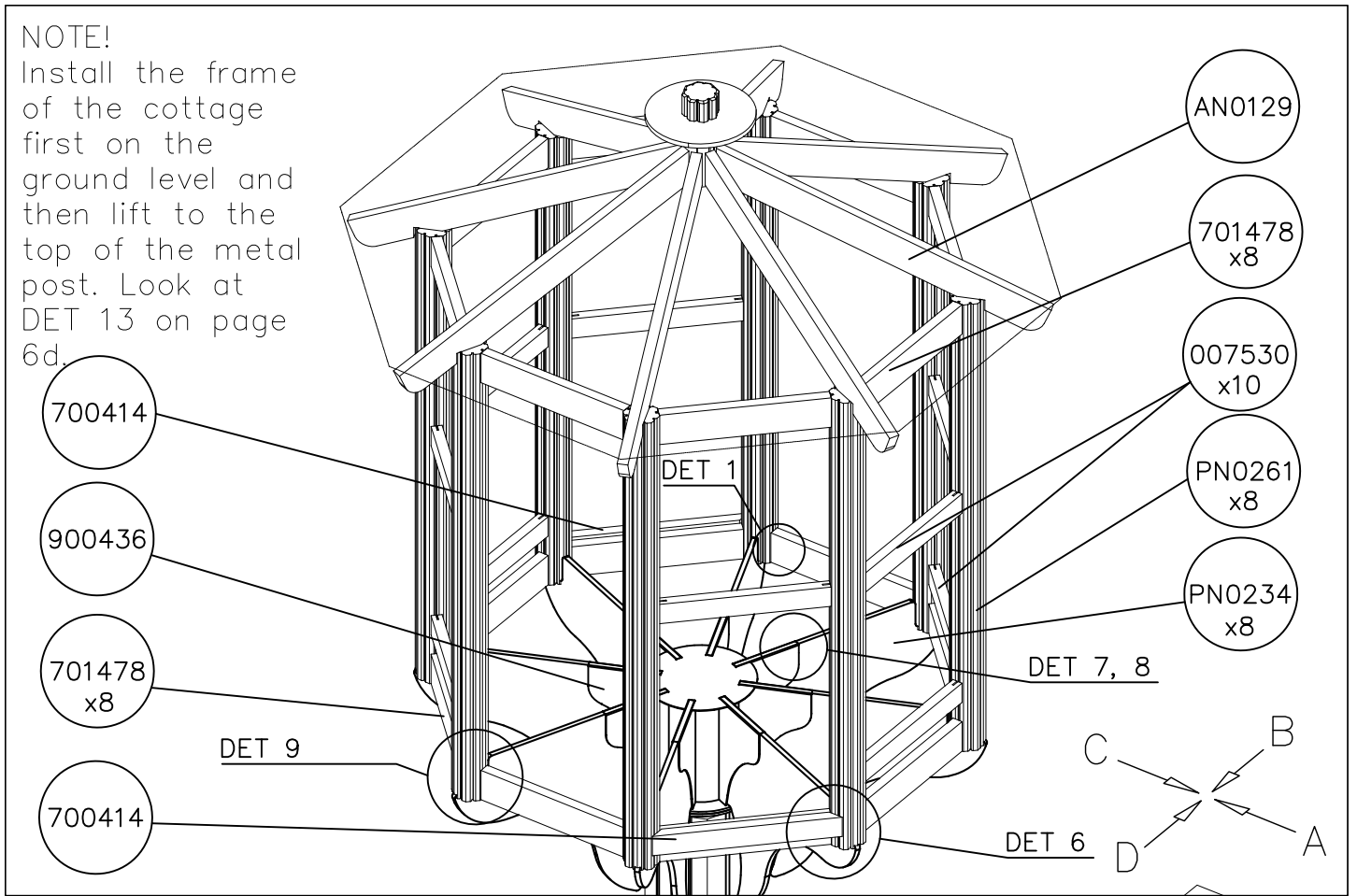
DET 14

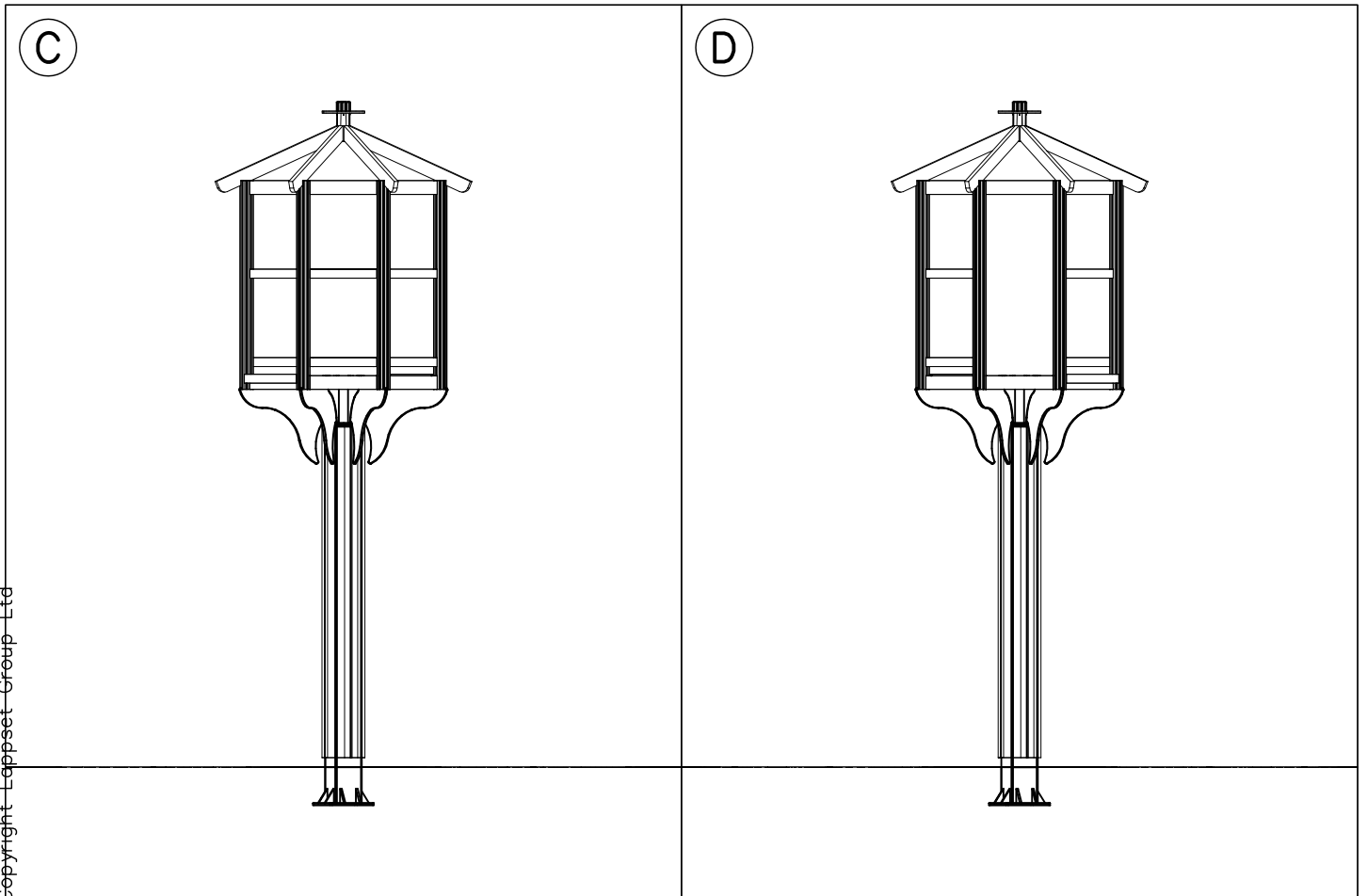
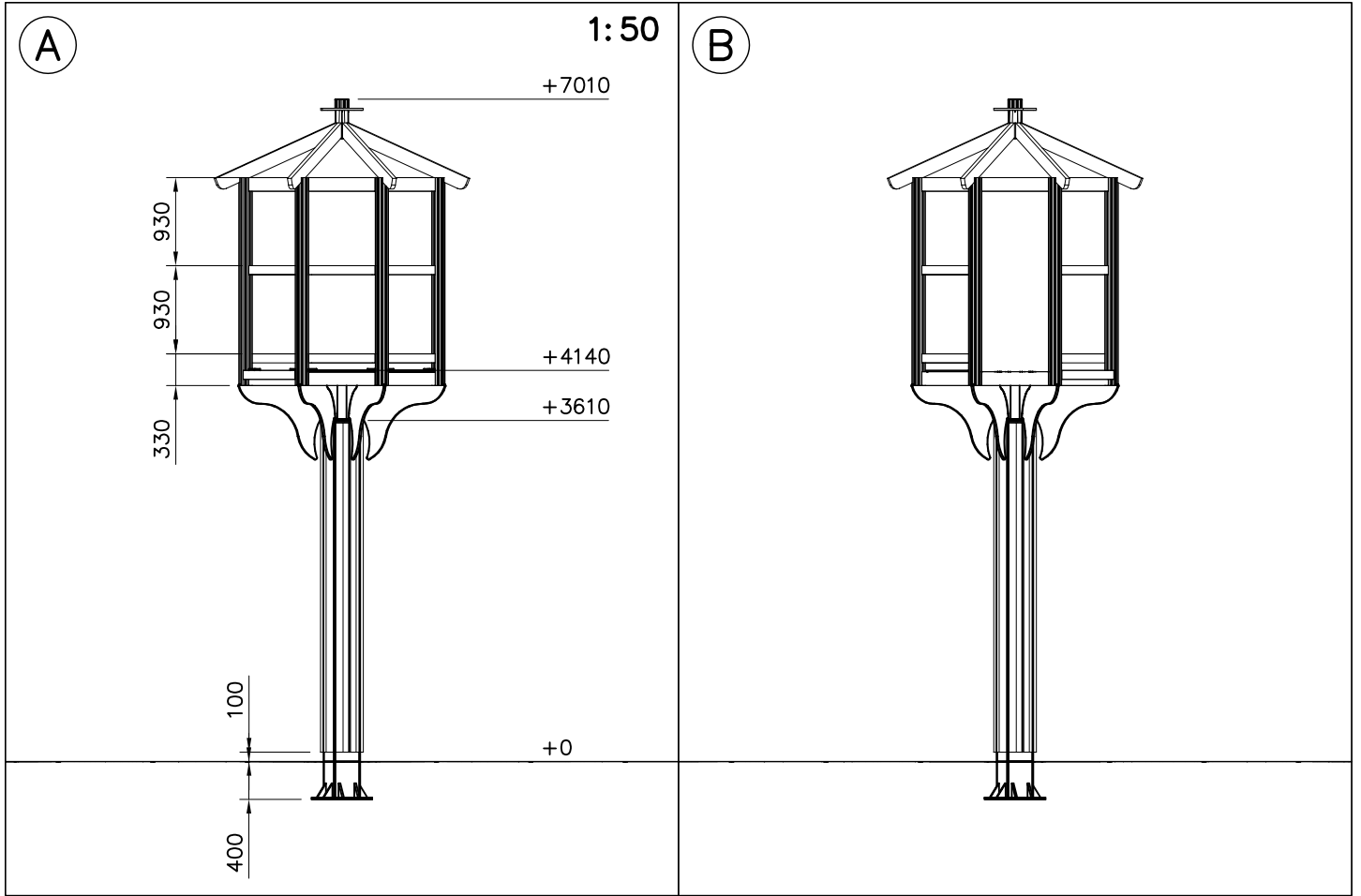


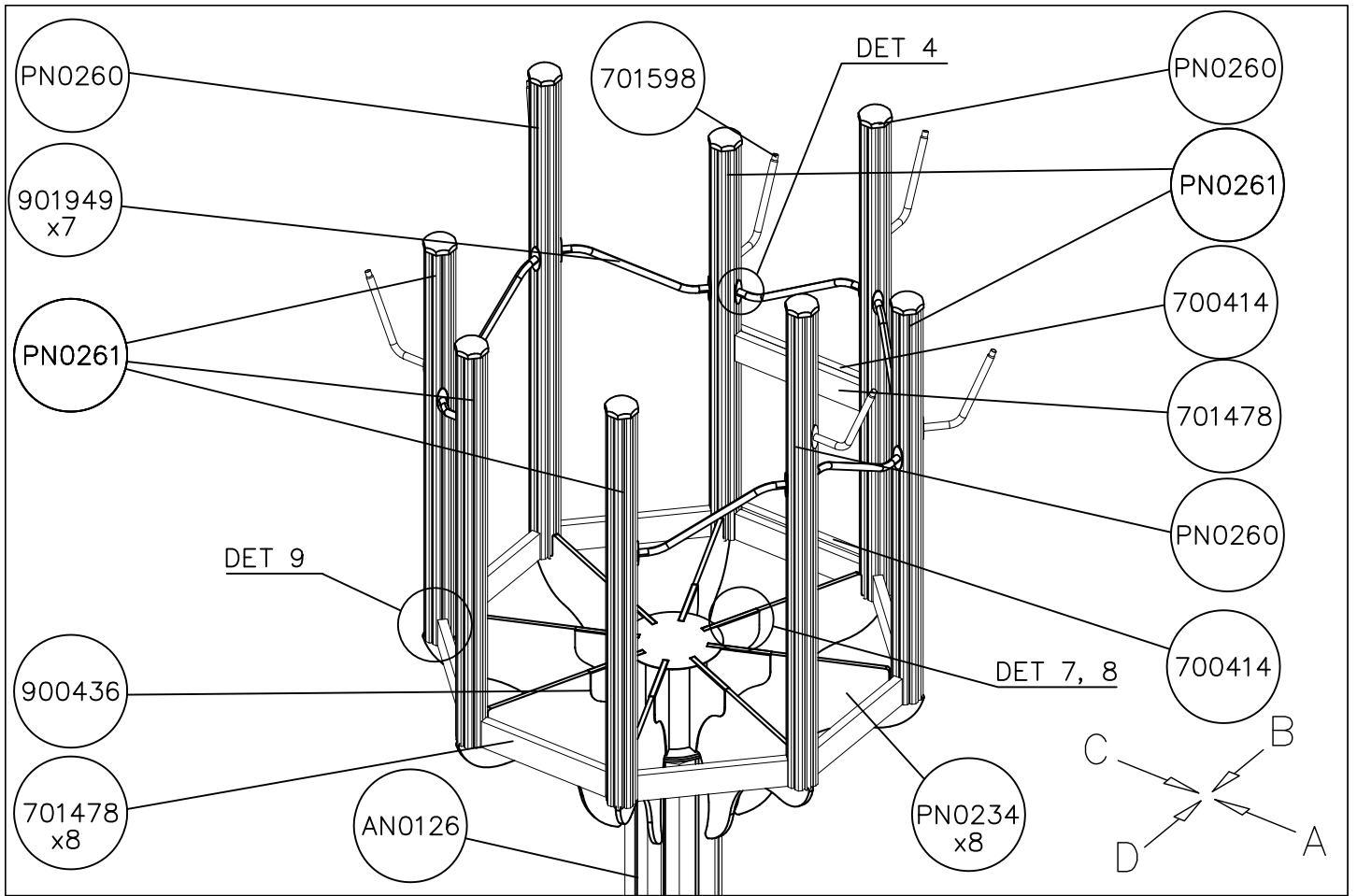
DET 15



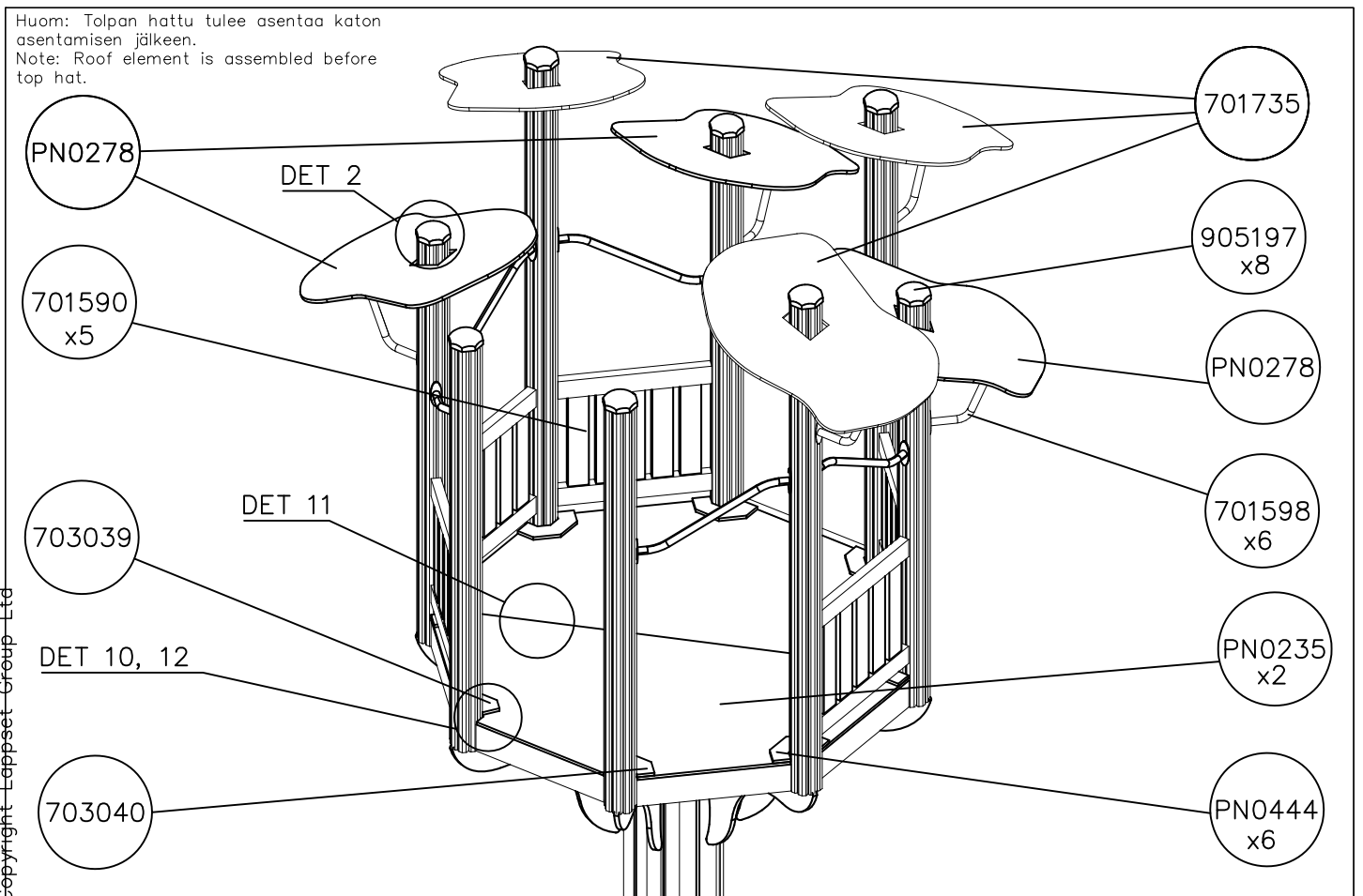
NOTE!
Install the frame of the cottage first on the ground level and then lift to the top of the metal post. Look at DET 13 on page 6d.





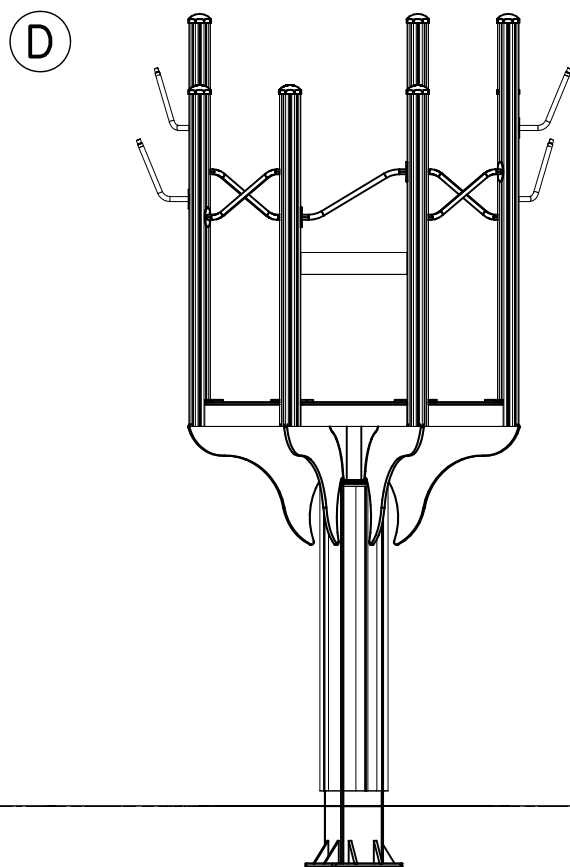
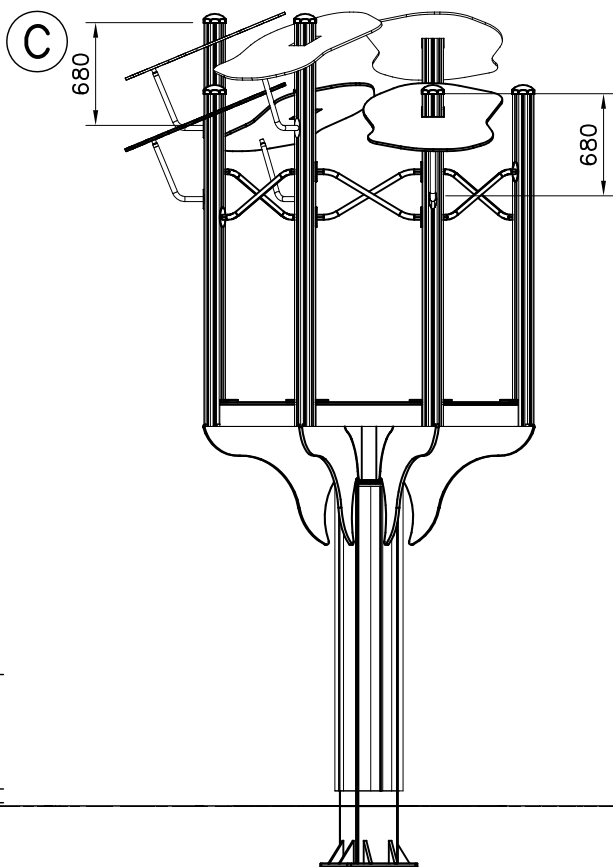
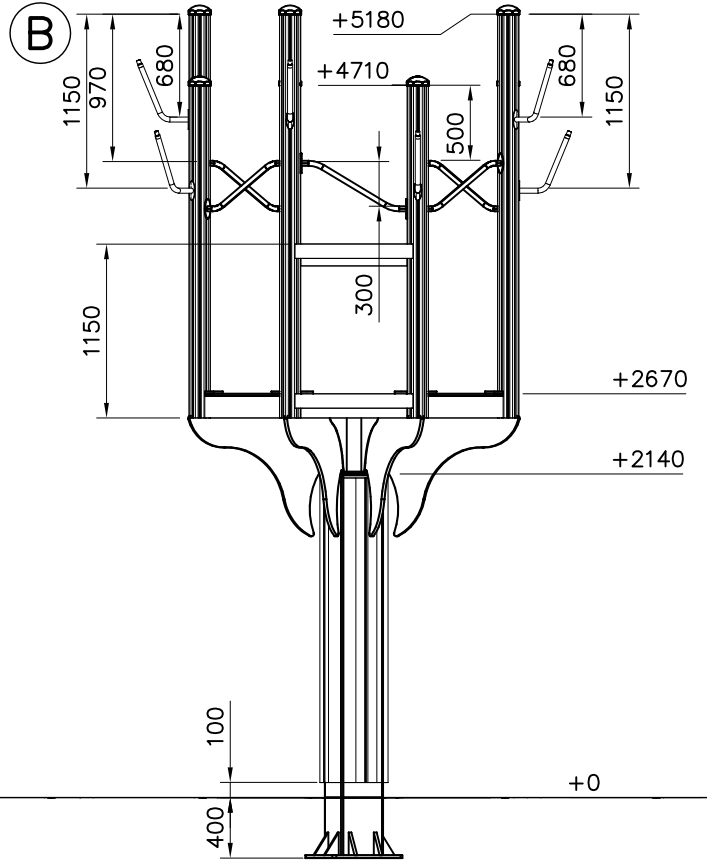
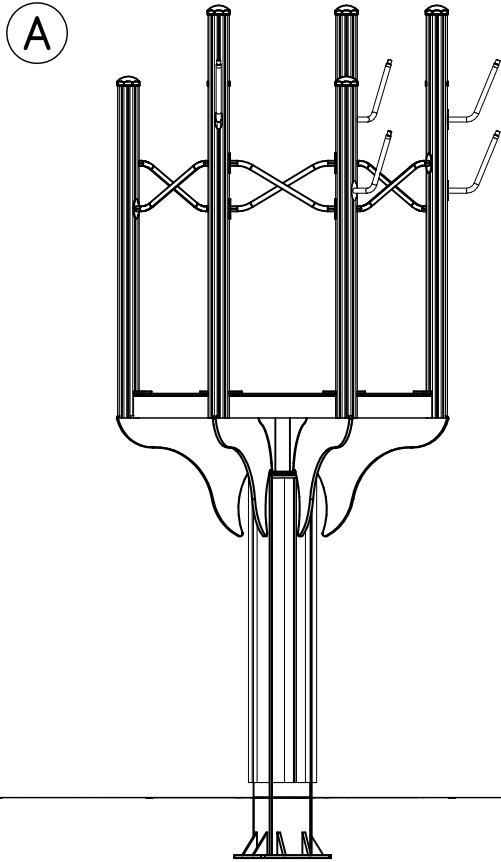


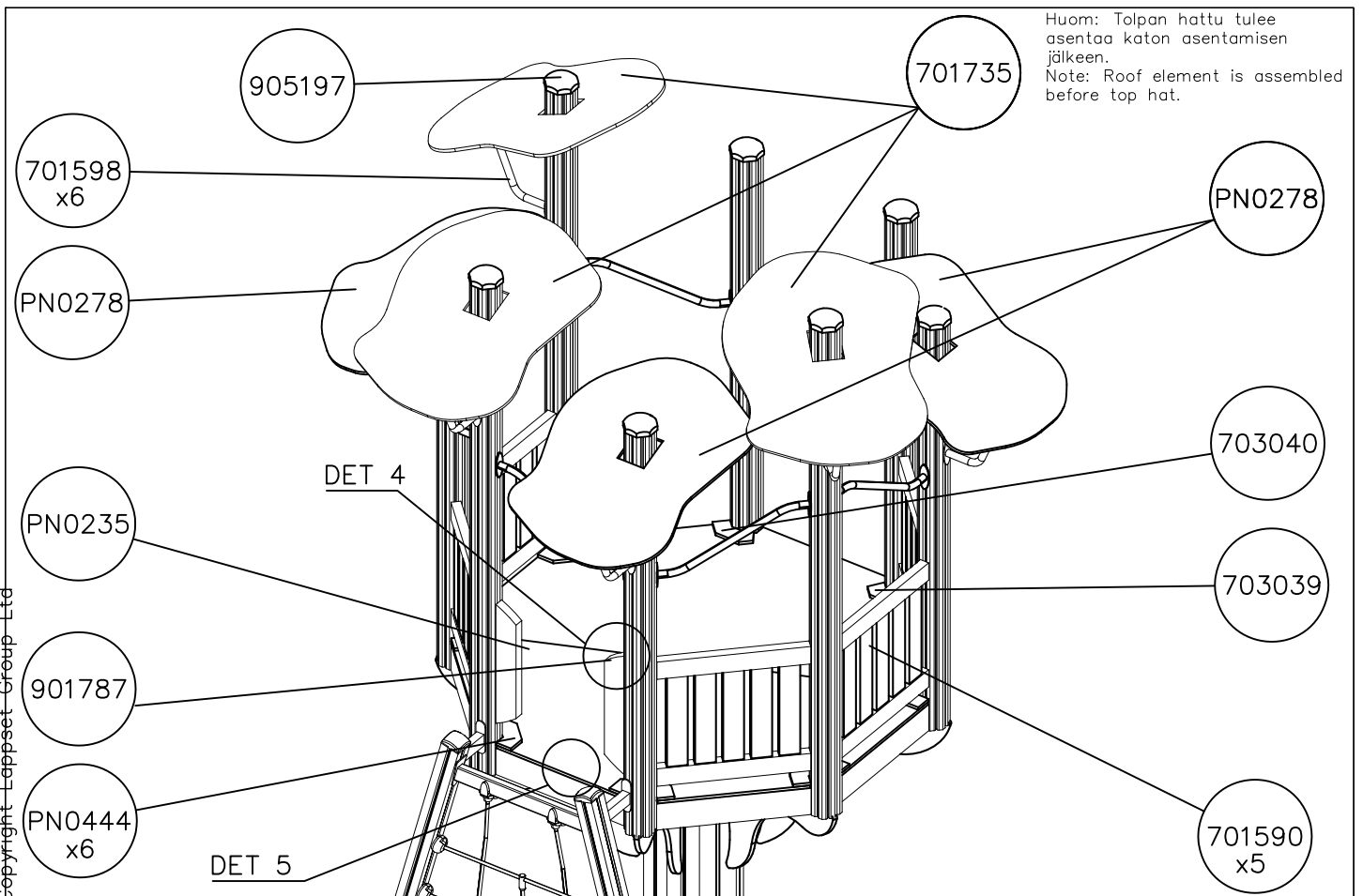
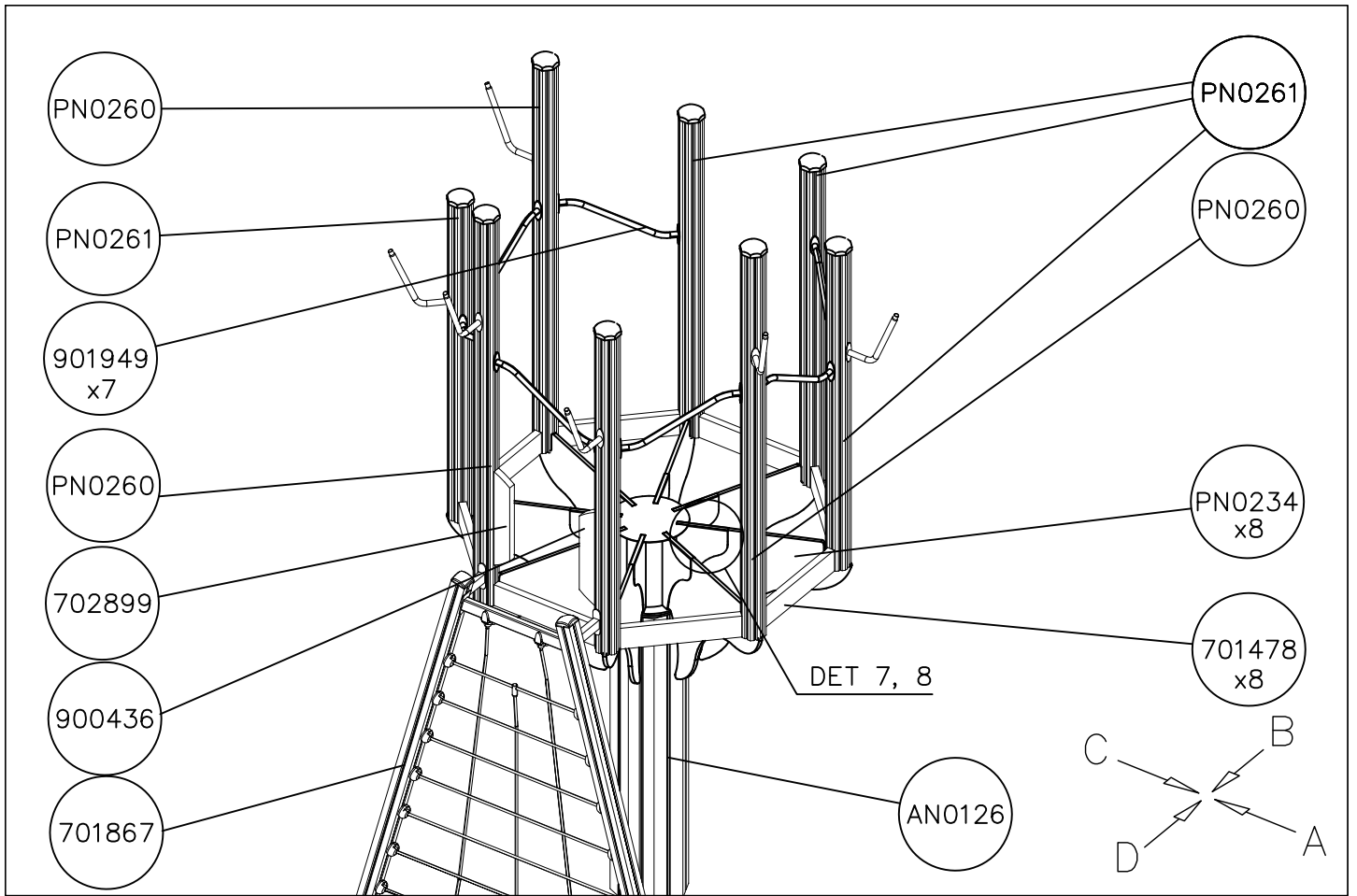
Huom: Tolpan hattu tulee asentaa katon asentamisen jälkeen.
Note: Roof element is assembled before top hat.



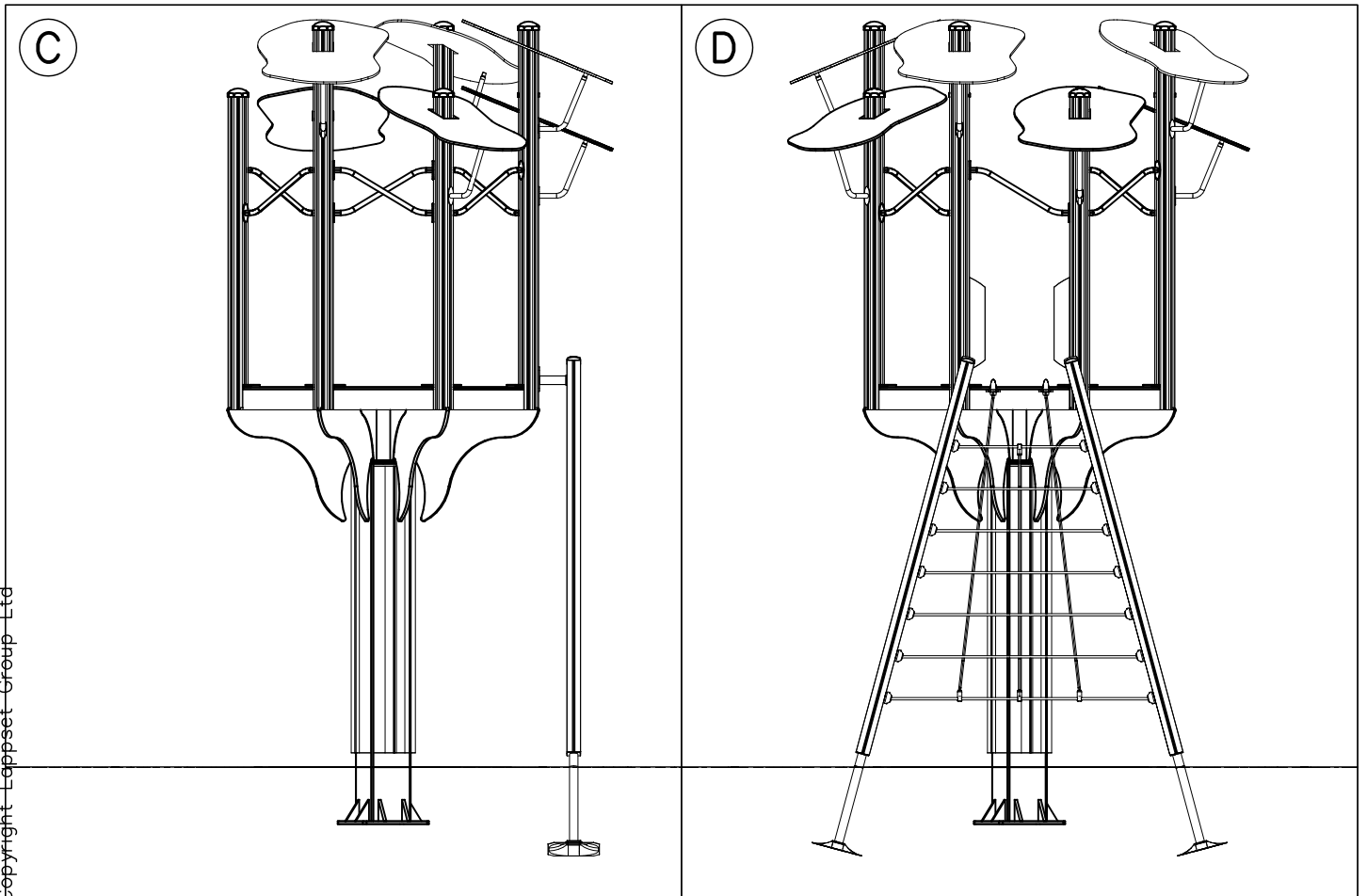
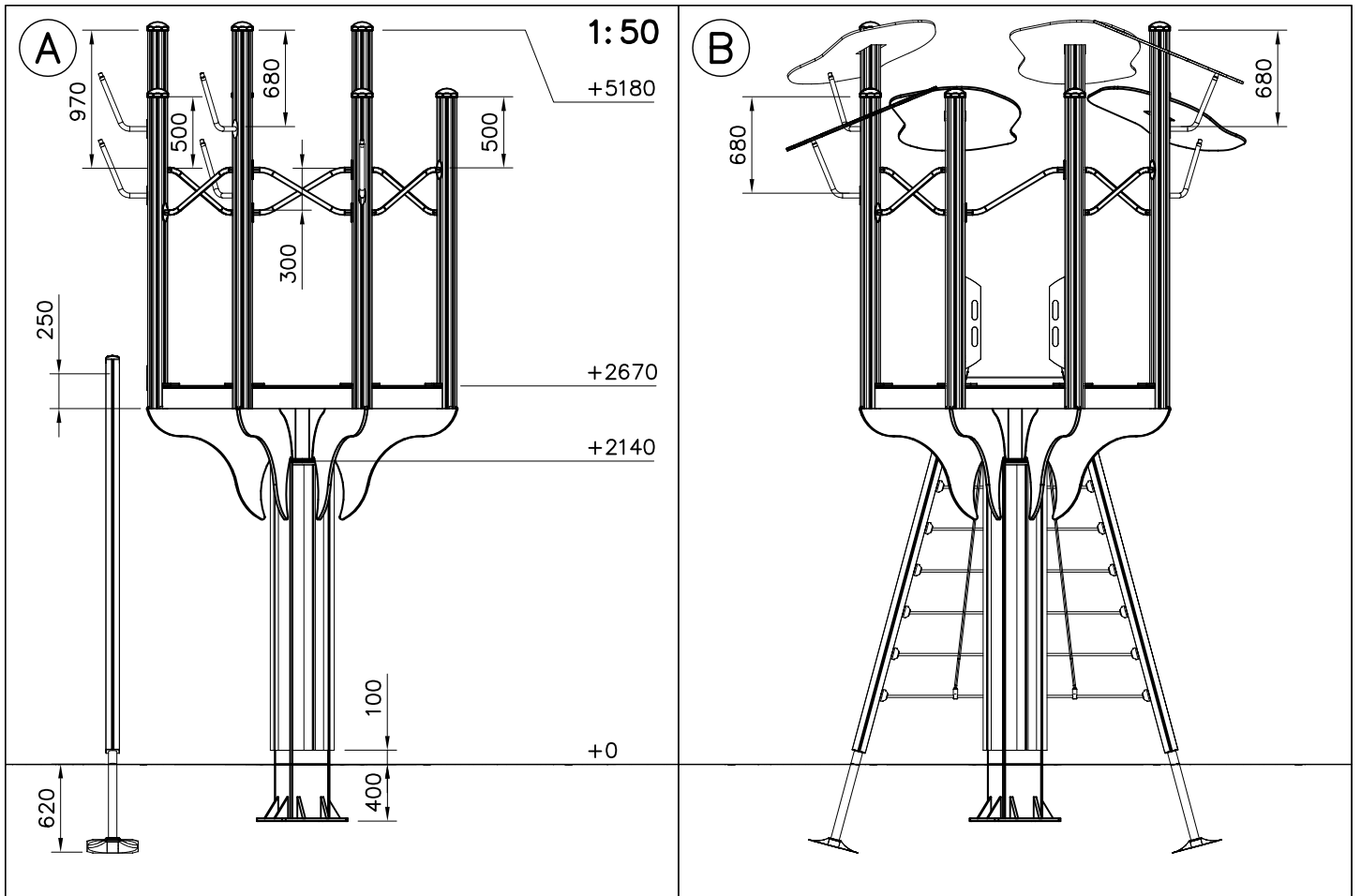
REF: 120950
DATE: 14.11.2013

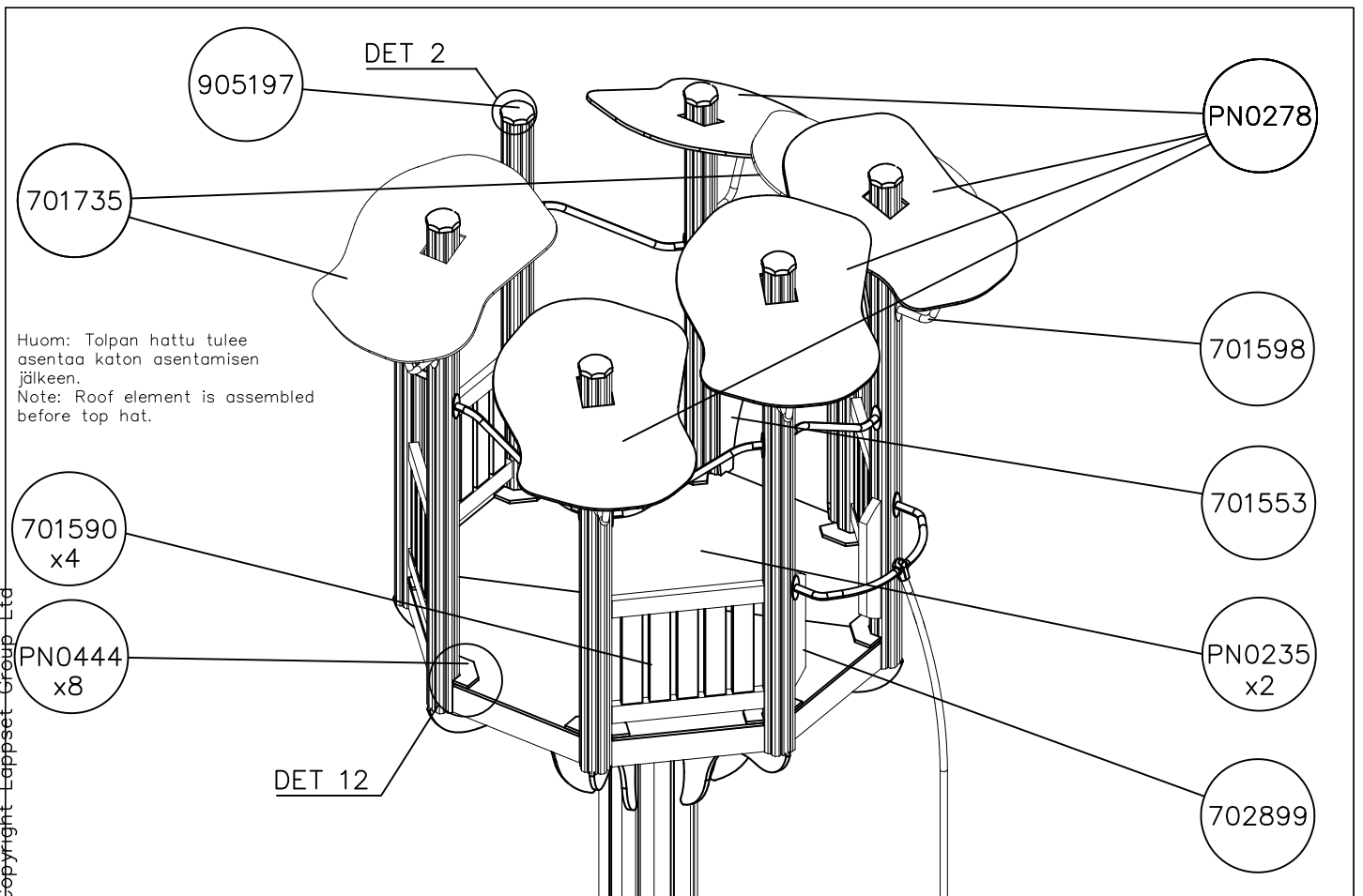
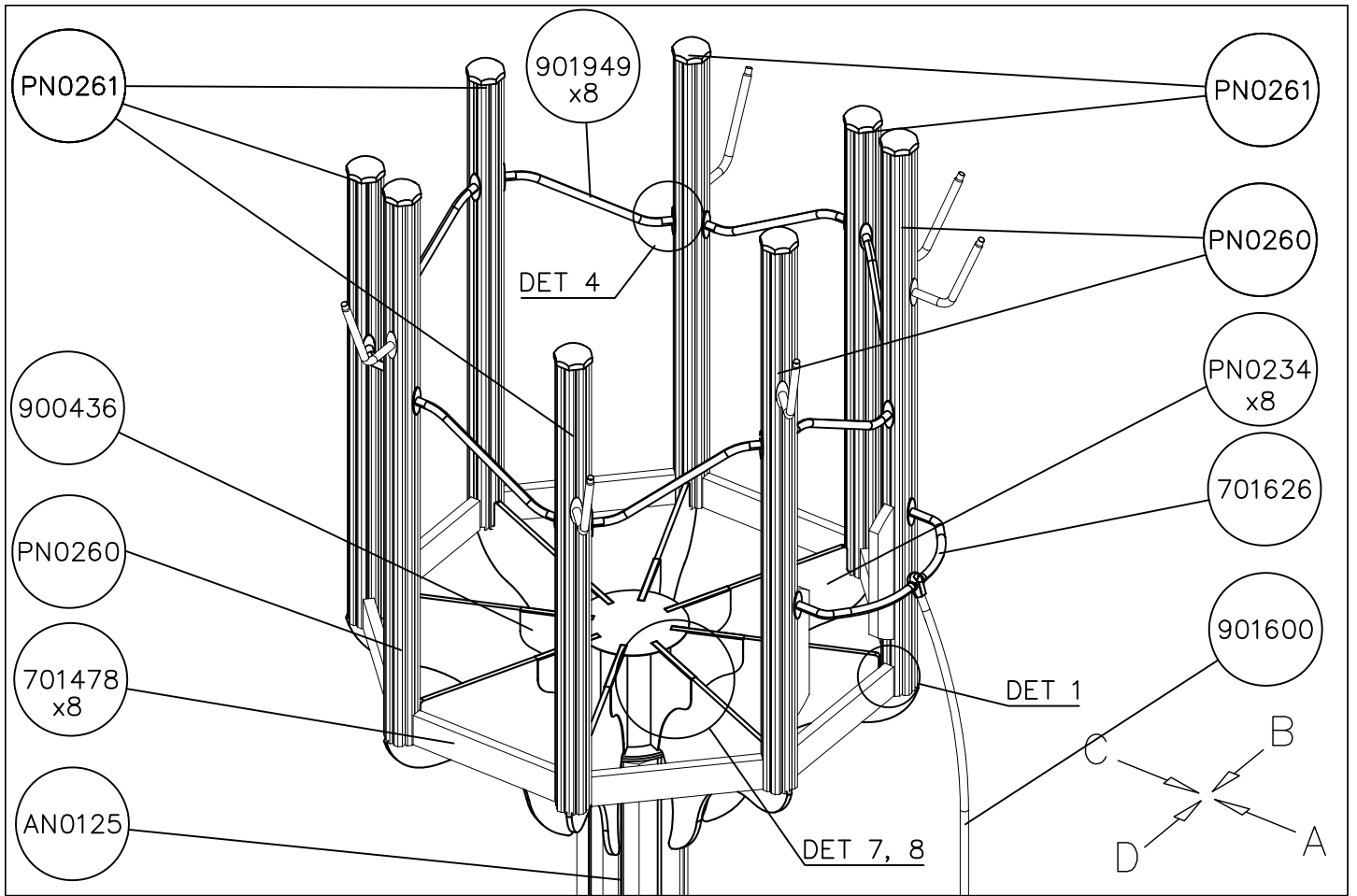
1:50



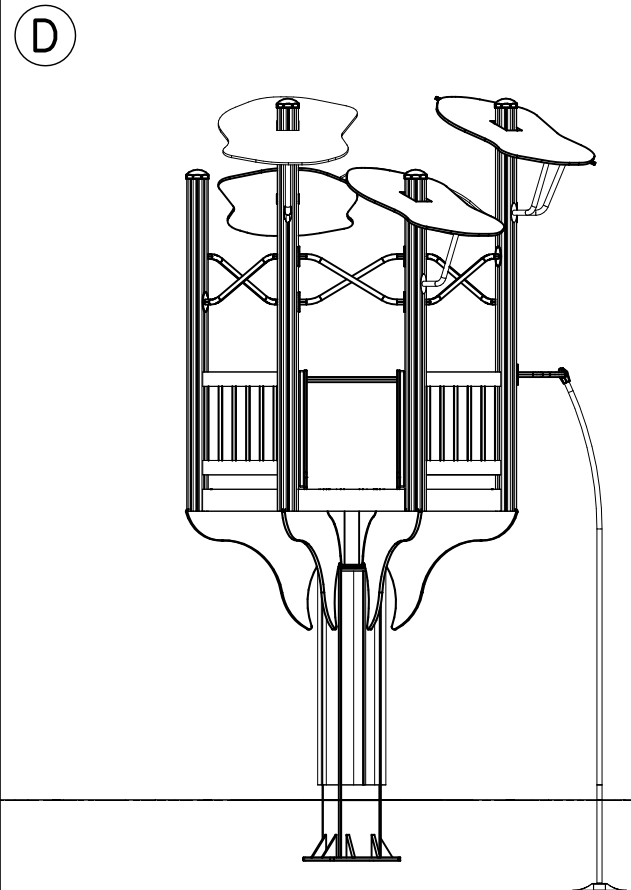
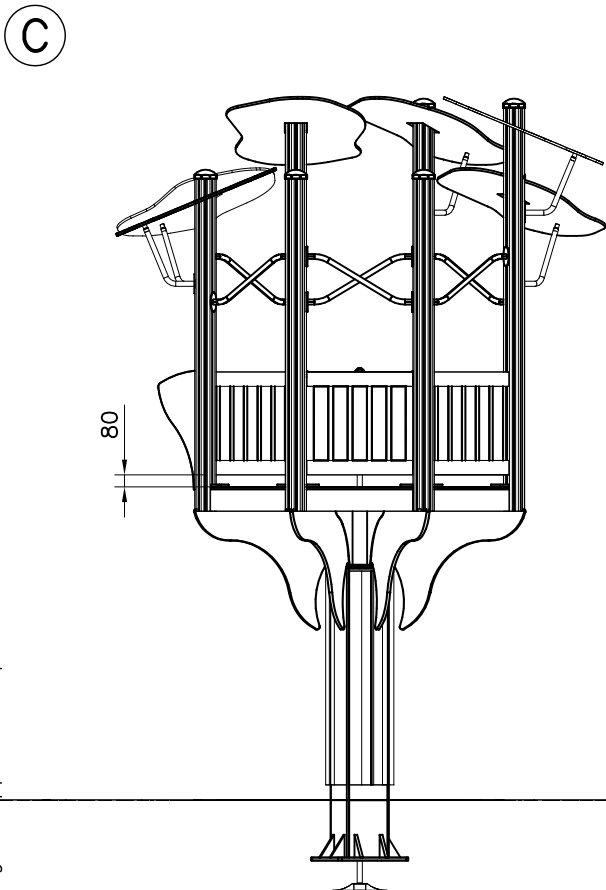
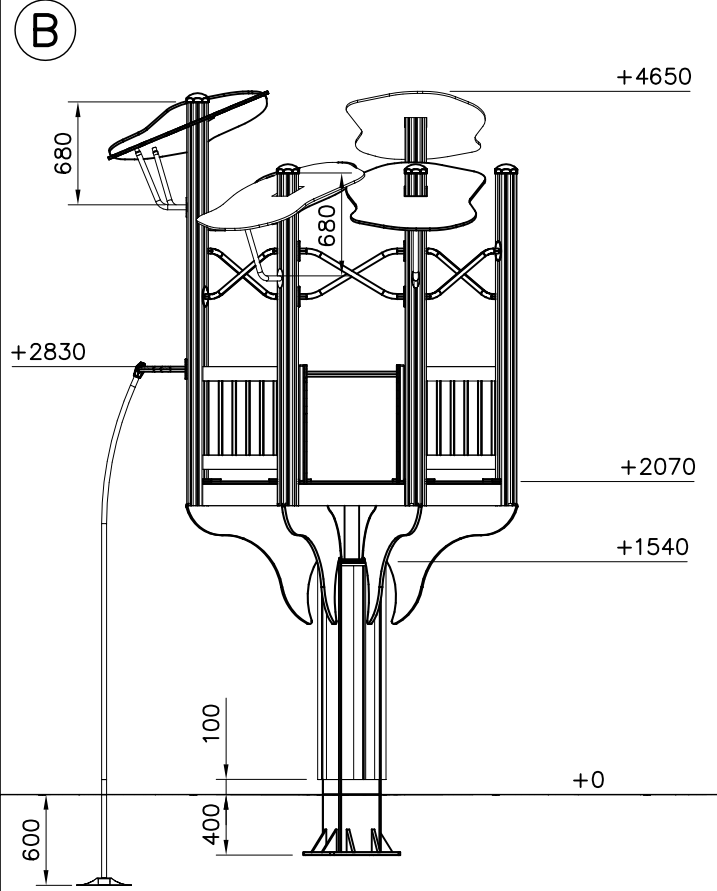
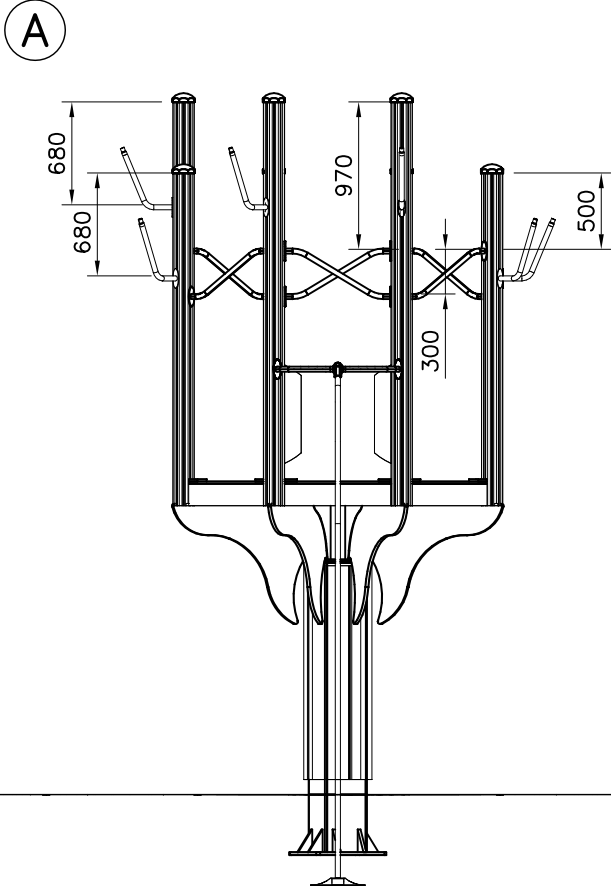


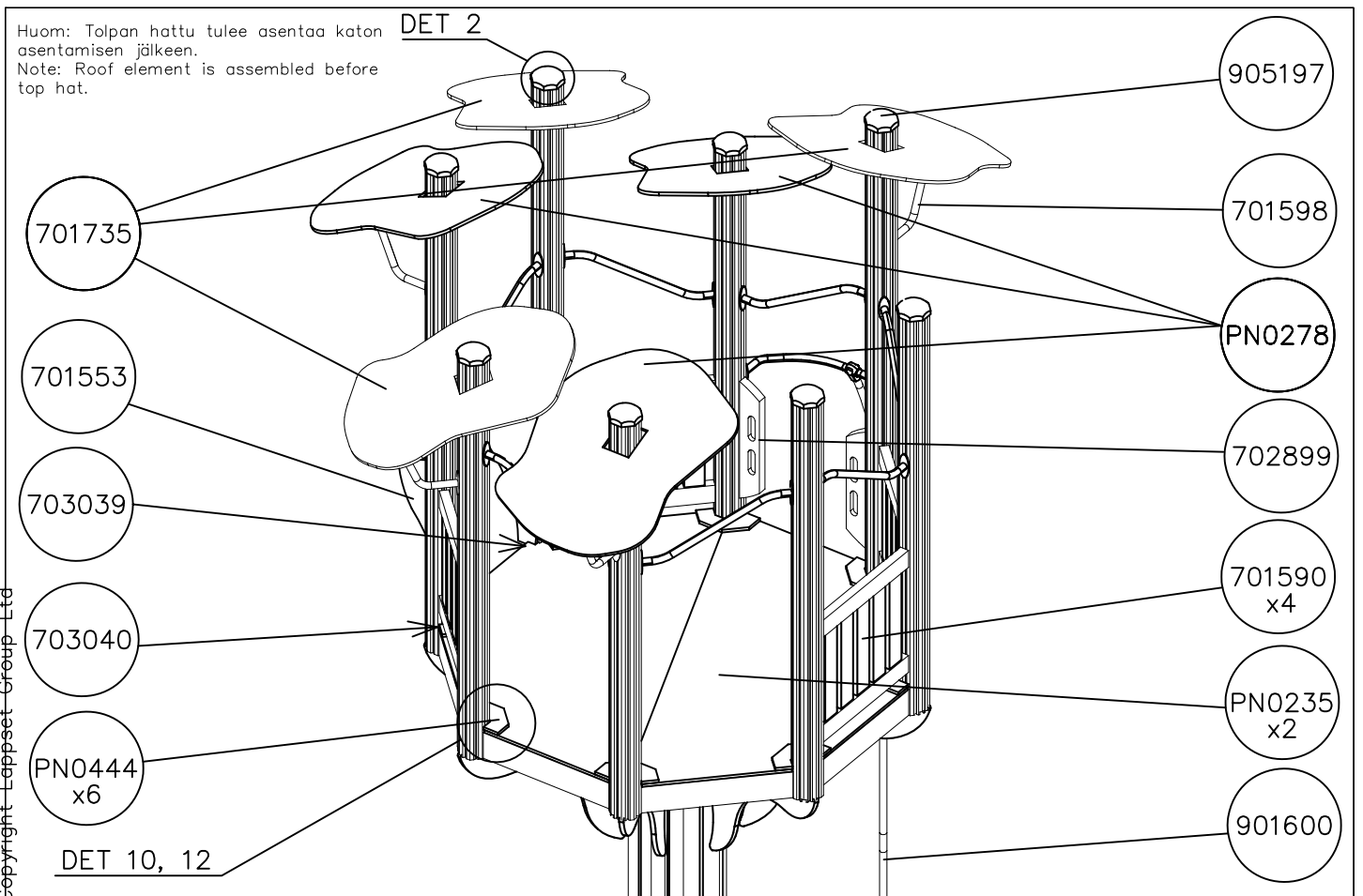
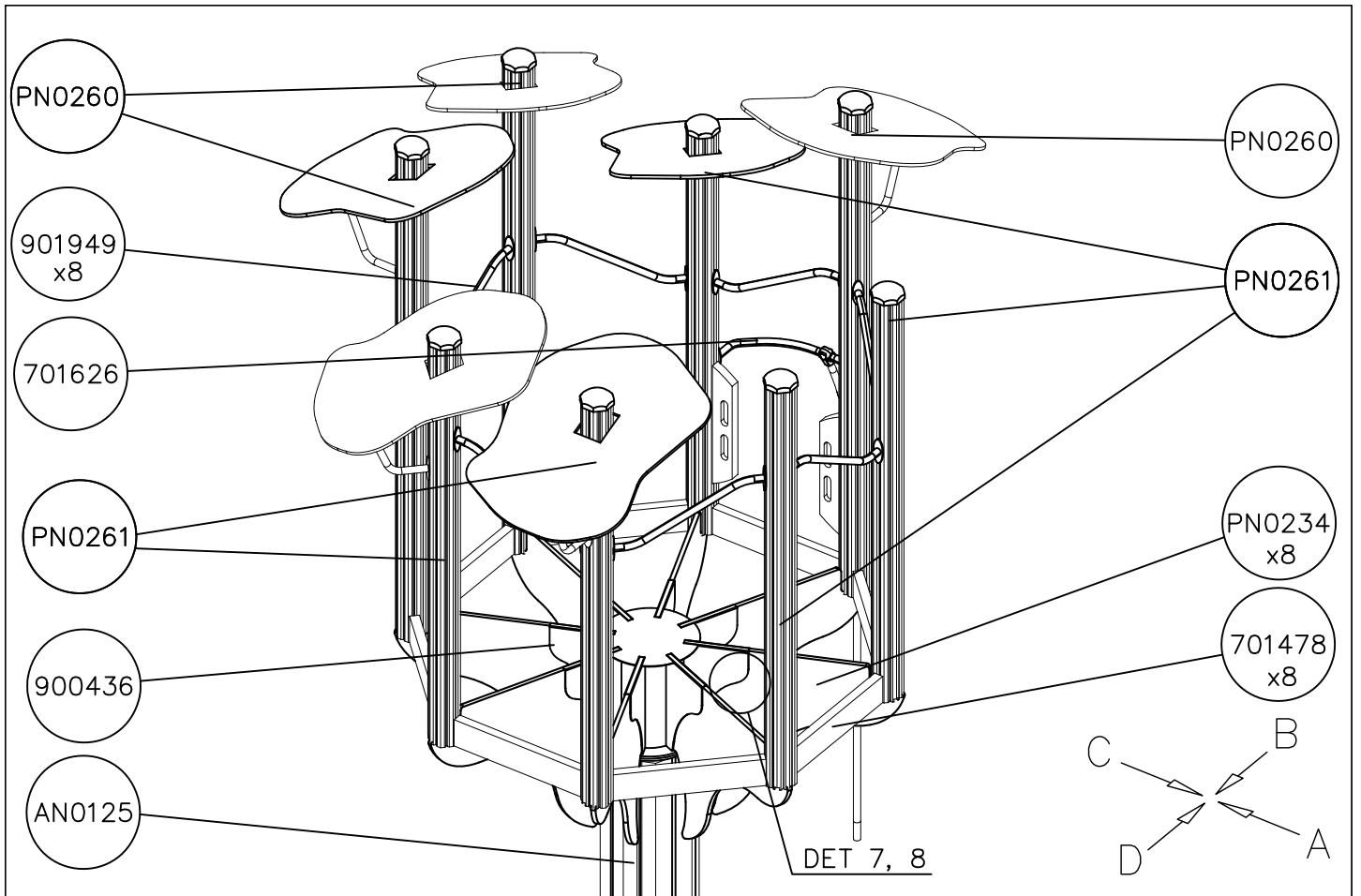
REF: 120950
DATE: 14.11.2013

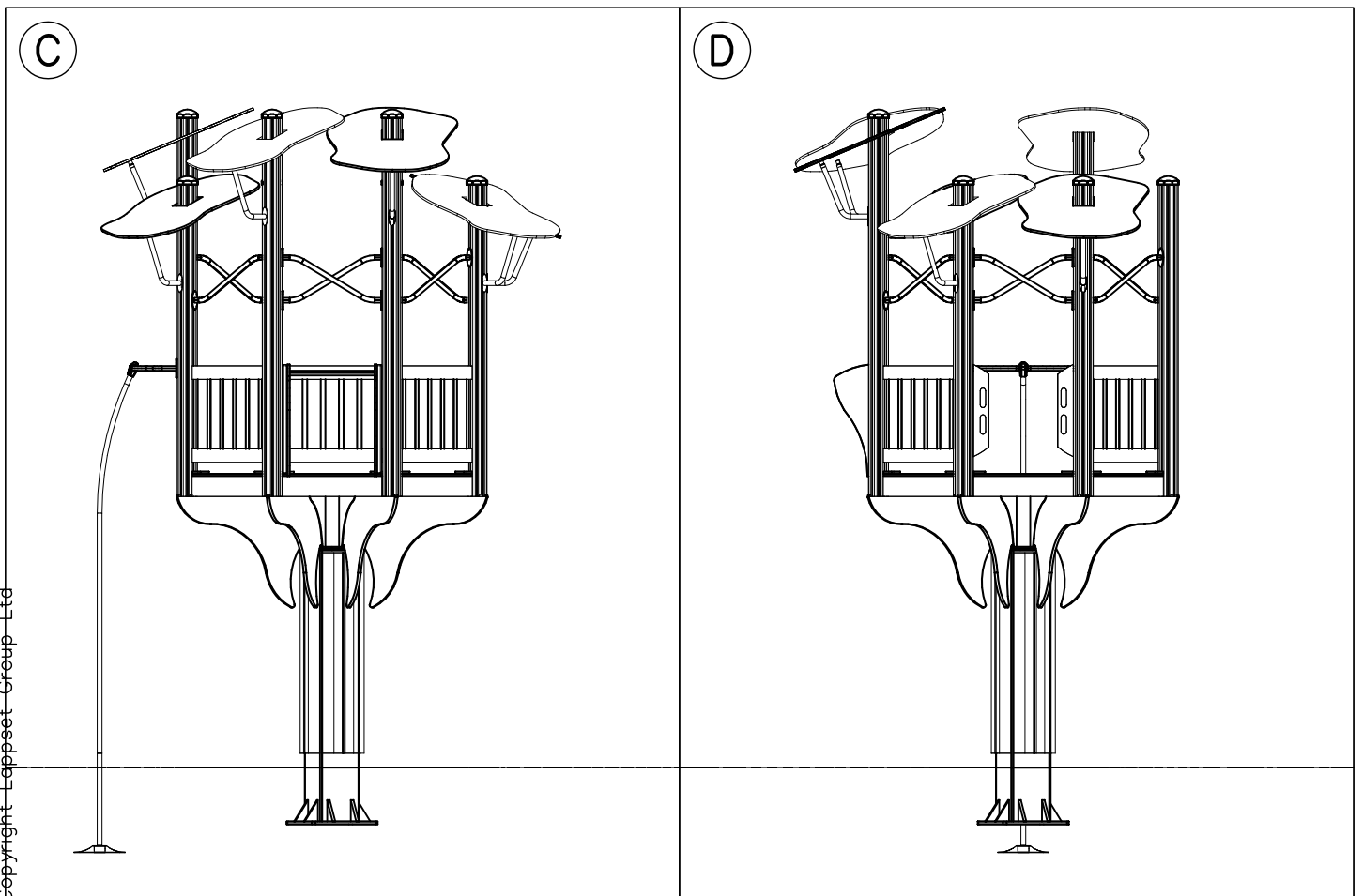
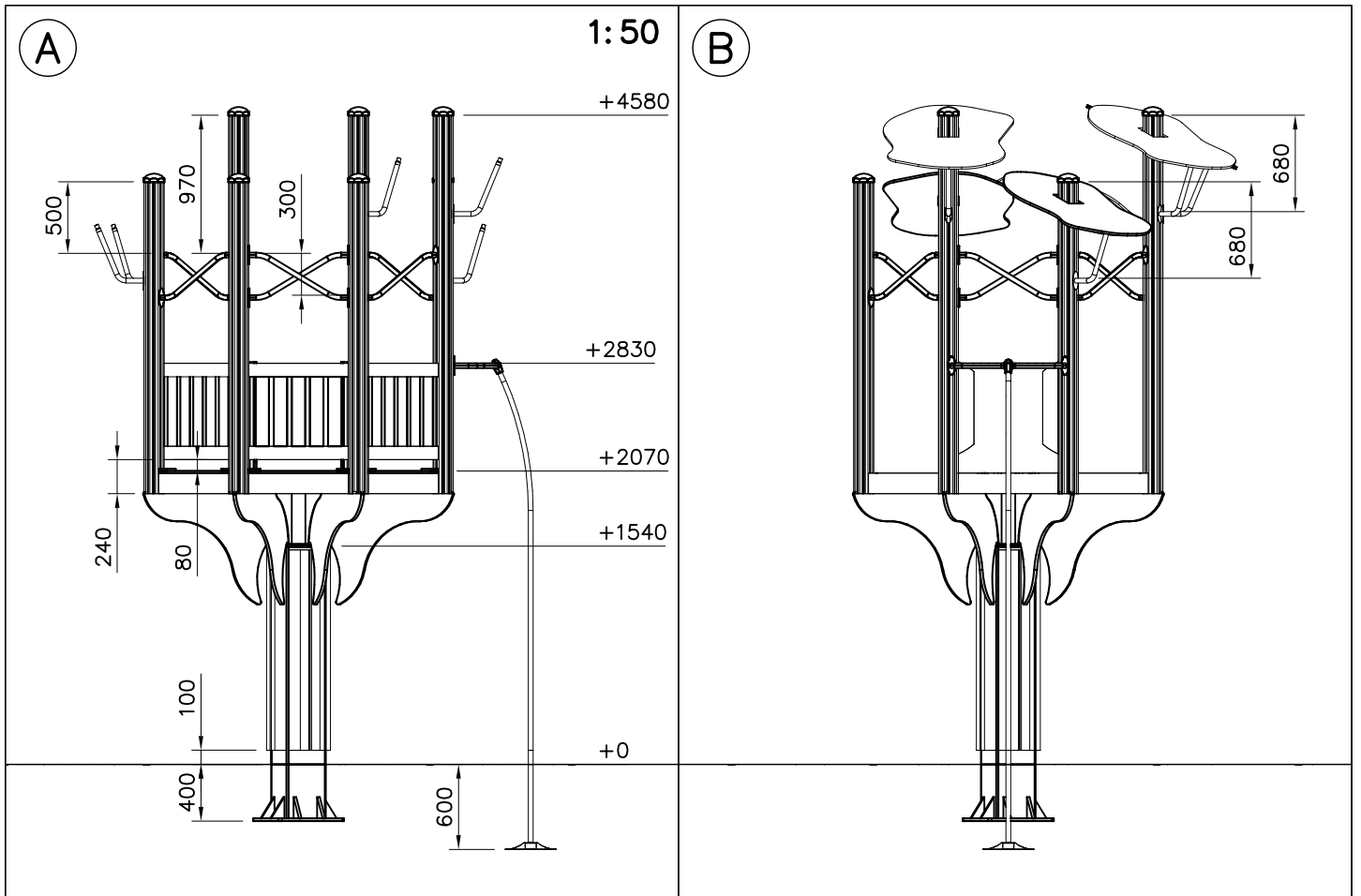


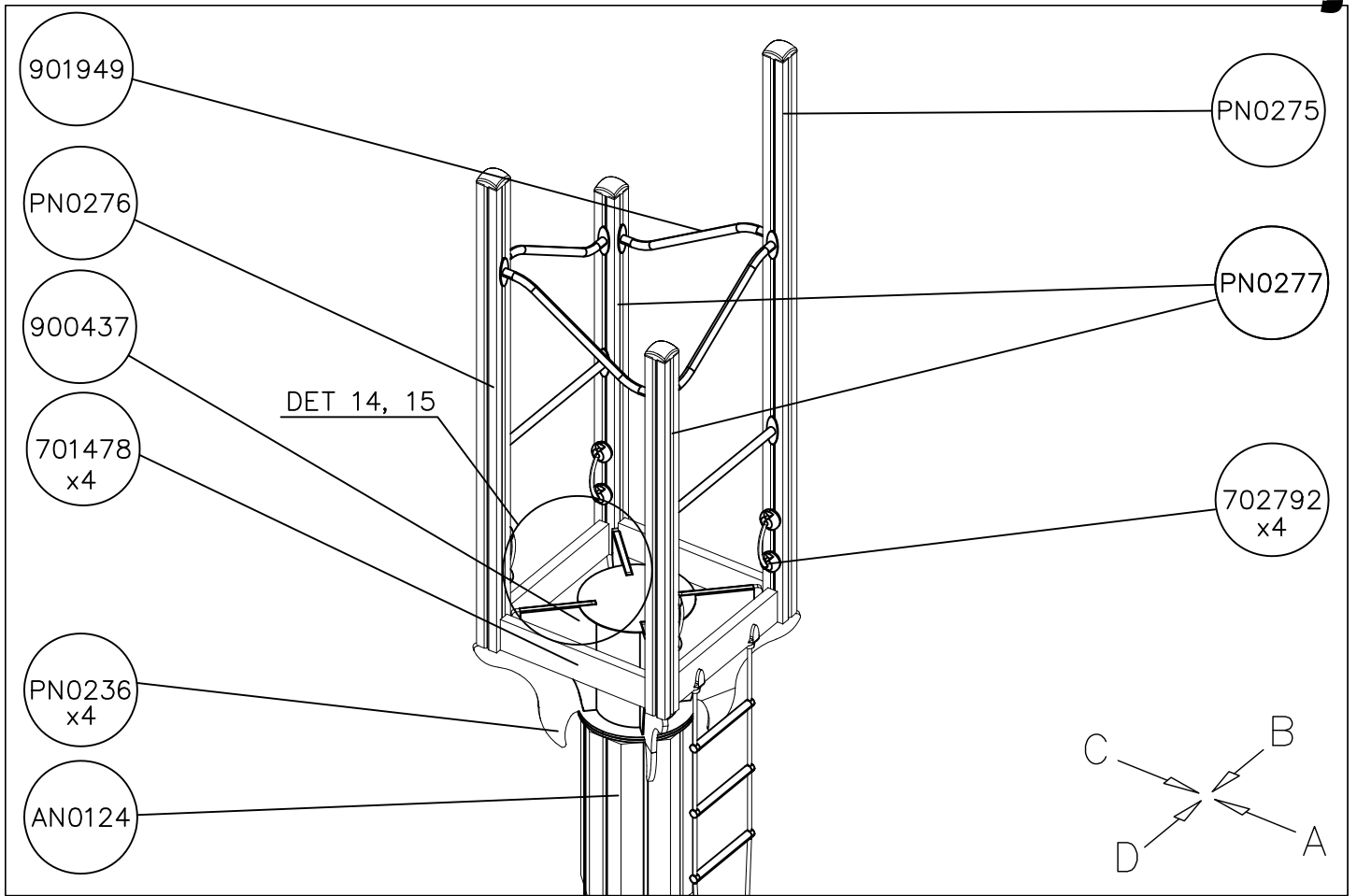


1:50









Huom: Tolpan hattu tulee asentaa katon asentamisen jälkeen.
Note: Roof element is assembled before top hat.

